

# SD 4340

---

Model:  
SD 4340



Part List US-English

28-02-2011

# Table of Contents

SD 4340

<b>HANDLE</b>	<b>3</b>
<b>BASE PLATE</b>	<b>5</b>
<b>HANDLE</b>	<b>7</b>
<b>MOTOR</b>	<b>9</b>
<b>SWITCH HOUSING</b>	<b>11</b>
<b>WIRING DIAGRAAM</b>	<b>13</b>

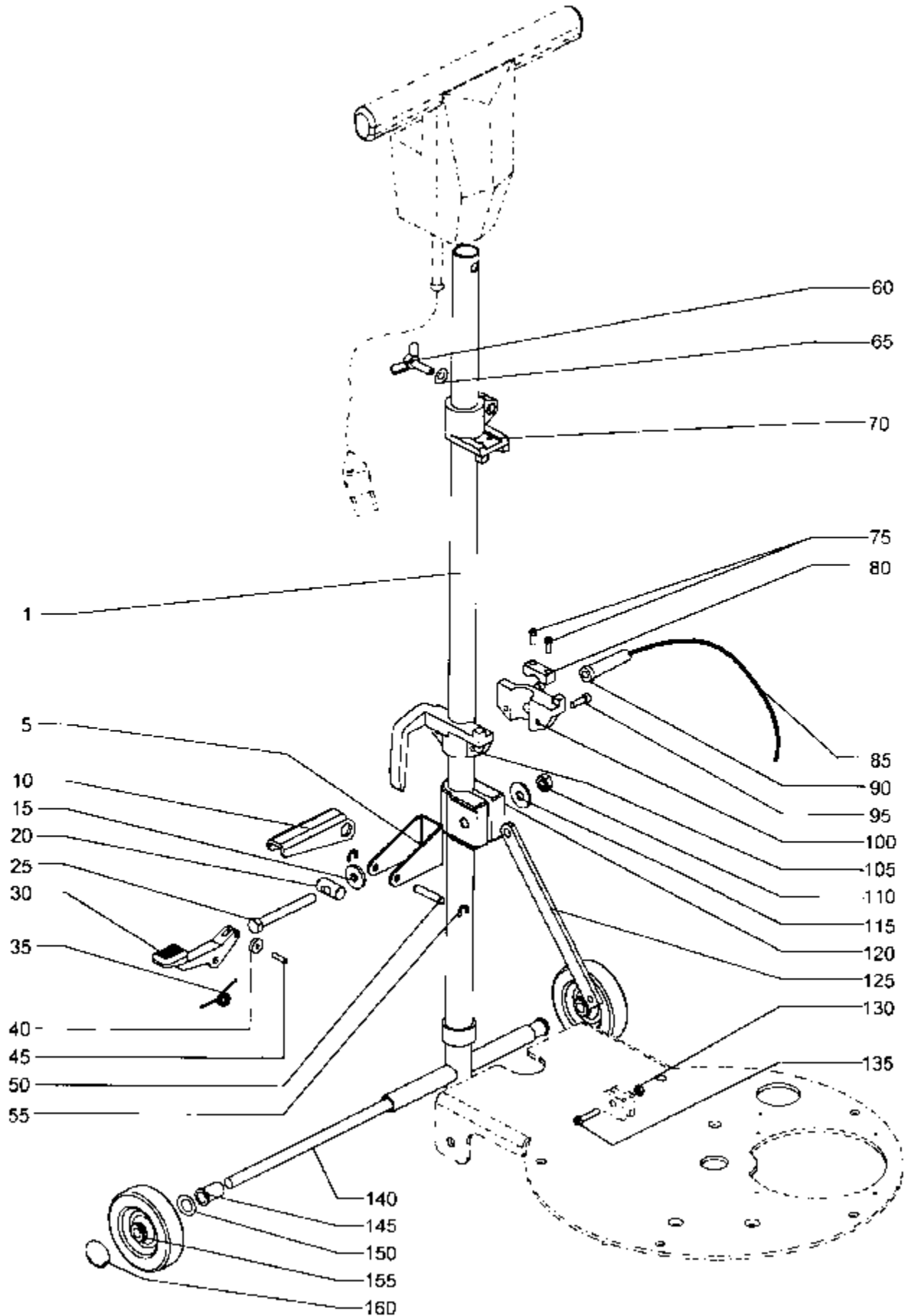
# HANDLE

SD 4340

28-02-2011

Part List ID  
DX4914

3



# HANDLE

SD 4340

28-02-2011

Part List ID  
DX4914

4

Pos	Part no.	Qty	Description	EAN
5	L08604248	1	PROFILE	
10	L08604252	1	LEVER	
15	L08604250	1	PAD	
20	L08604249	1	BOLT	
25	L08604254	1	SCREW M 10X90 VZ	
30	L08604300	1	PEDAL	
35	L08604304	1	SPRING	
45	L08102100	1	PIN 5M6X16	
50	L08604301	1	BOLT	
55	L08081100	2	NUT C38	
60	L08083500	1	WING SCREW M8X25	
65	L08082200	1	WASHER	
70	L08601395	1	TANK HOLDER	
75	L08080600	2	CYLINDER SCREW M4X20	
80	L08187000	1	STRAP	
85	L08187600	1	CABLE	
90	L08088000	1	CABLE HANDLE	
95	L08043800	2	CYLINDER SCREW M6X16	
100	L08601393	1	CLAMP WITH CABLE TRACTION	
105	L08601394	1	CABLE HOLDER	
110	L08600137	1	HEXAGONAL NUT	
115	L08604251	1	WASHER 10X30 UNI6592	5711140016
120	L08604247	1	CLAMP	
130	33005604	1	NUT SELF L. M6 UNI7474	5711140066
135	L08320100	1	SPACER DISC FOR BRUSH.	
140	L08604258	1	Axle, plated	
145	L08604244	2	BEARING BUSH	
150	L08163500	2	SPRING DISK	
155	L08044700	2	WHEEL	
160	L08044900	2	CAP	

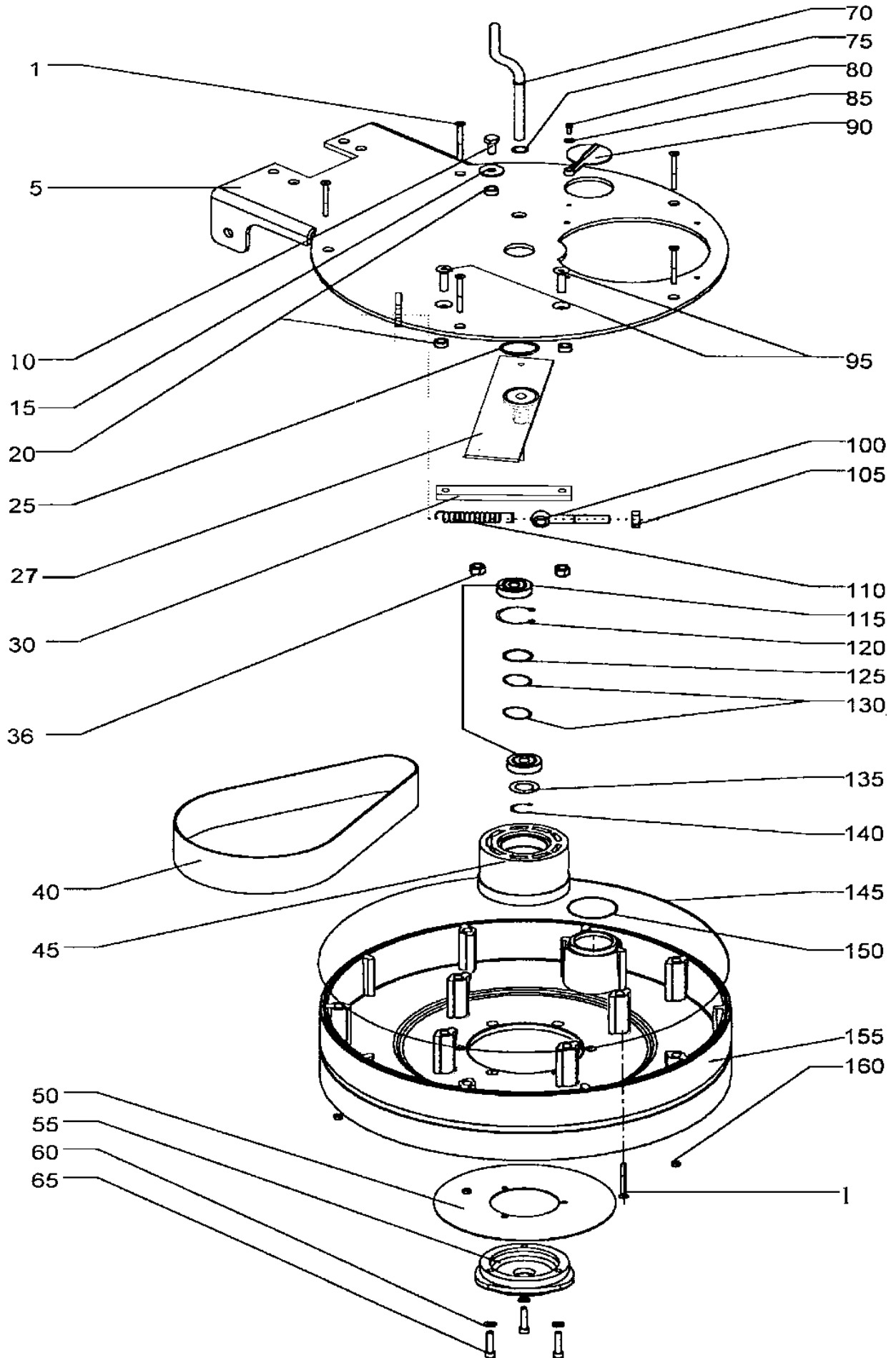
# BASE PLATE

SD 4340

28-02-2011

Part List ID DX49122

5



# BASE PLATE

SD 4340

28-02-2011

Part List ID

DX49122

6

Pos	Part no.	Qty	Description	EAN
1	L08604238	9	SCREW M 5X65 VZ	
15	L08300000	1	WASHER 8X24 UNI6593	5711140012
20	L08604220	3	SPACER SLEEVE	
25	L08604222	1	O-RING	
27	L08604338	1	CLAMPING PLATE SD4340	
36	33005607	2	NUT SELF L. M8 UNI7474	5711140066
40	L08604225	1	POLY V-BELT PJ 432	
40	L08604344	1	POLY V BELT PJ 17 559	
45	L08604217	1	PULLEY FOR SD4340 1,5KW	
45	L08604218	1	BELT PULLEY FOR 4340 2KW	
50	L08604305	1	PAD	
60	L08353300	3	WASHER NORD LOCK M6	5711140012
70	L08604230	1	TUBE	
75	L08091900	1	WASHER D 9X2	
80	L08196600	1	FLAT HEAD SCREW M4X6	
85	33005862	1	WASHER M4 UNI8842A	5711140067
90	L08196500	1	COVER FOR SUCTION	
95	L08084500	2	TOOTHED RING	
105	L08600137	1	HEXAGONAL NUT	
110	L08604227	1	TENSION SPRING	
115	L08183900	2	BALL BEARING	5711140012
120	33006176	1	RING D 47 UNI7437	5711140067
125	L08182400	1	SUPPORT RING	
130	L08183500	2	DISTANCE WASHER BEARING	
135	L08167900	1	WASHER	
140	L08182700	1	RING D 22 SP.1.75 UNI7435	5711140012
145	L08604296	1	SEALING	
150	L08604297	1	SEALING	
155	L08604237	1	HOOD PP	
160	33005691	5	NUT HEX M5 UNI5588	5711140066

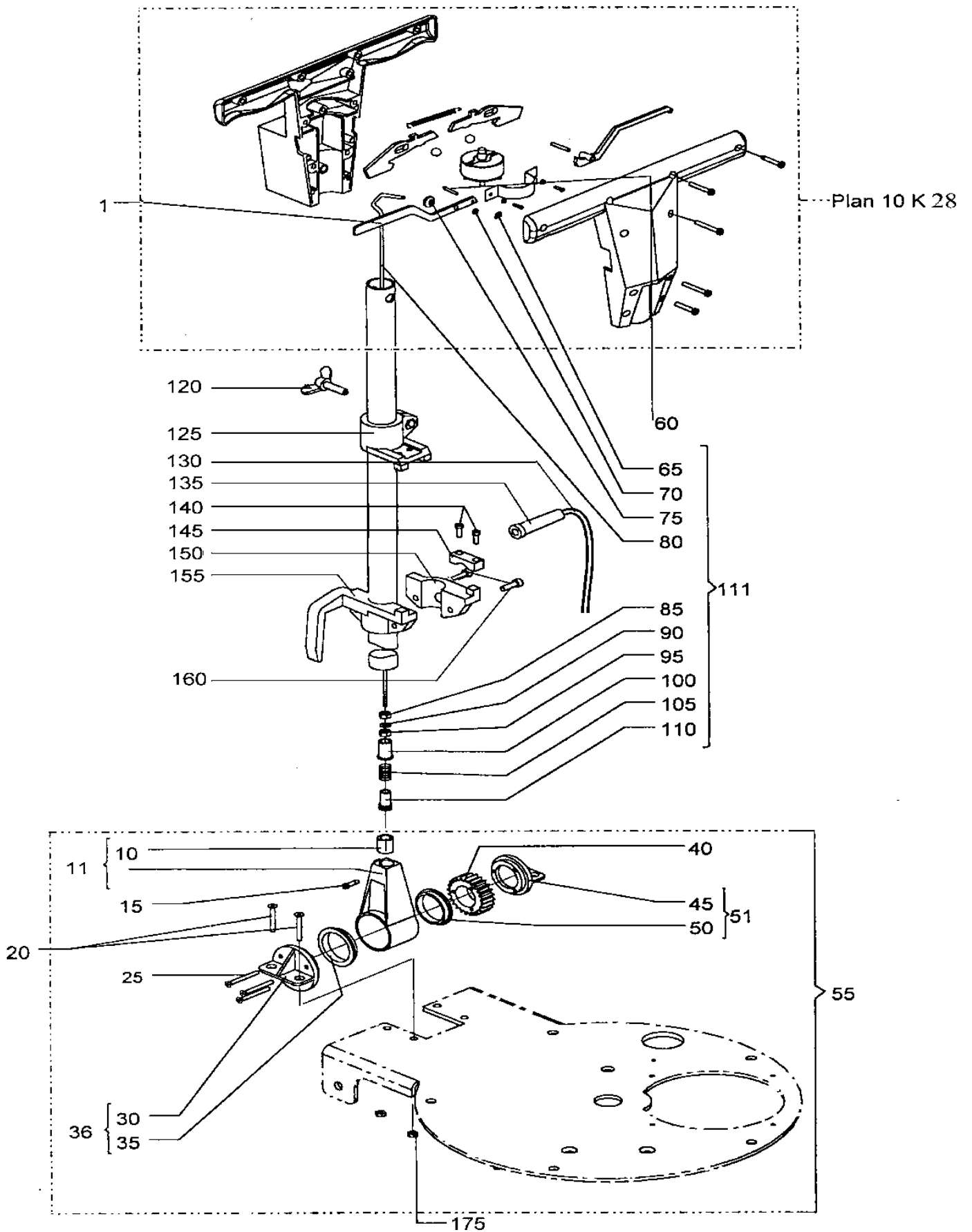
# HANDLE

SD 4340

28-02-2011

Part List ID  
DX49124

7



# HANDLE

SD 4340

28-02-2011

Part List ID

DX49124

8

Pos	Part no.	Qty	Description	EAN
1	L08080500	1	LEVER ARM	
10	L08160500	1	BUSH	
11	L08188600	1	LEVER ARM	
15	33004365	1	SCREW M8X20 UNI5931	5711140064
20	L08084400	4	COUNTERSUNK SCREW M8X25	
25	L08084700	3	COUNTERSUNK SCREW M6X54	
30	L08605035	1	HOLDER	
35	L08160200	1	PLAIN BEARING	
36	L08605035	1	HOLDER	
40	L08084500	1	TOOTHED RING	
50	L08160200	1	PLAIN BEARING	
51	L08605035	1	HOLDER	
55	L08163700	1	BASE FOR HANDLE 421A/511A	
60	L08081800	1	PIN FOR HANDLE 5M6X40	
65	L08082300	1	SEEGER RING	
70	L08082200	1	WASHER	
75	L08082100	1	BUSH	
80	L08082400	1	CONNECTOR ROD	
85	L08081100	1	NUT C38	
90	L08040300	1	WASHER C38	
95	33005505	1	NUT HEX M10 UNI5588	5711140065
100	L08081300	1	BEARING	
105	L08081400	1	SPRING FOR HANDLE ROD	
110	L08081500	1	BEARING FOR HANDLE C51	
111	L08173900	1	HANDLE COMPLETE 421A	
120	L08083500	1	WING SCREW M8X25	
125	L08601395	1	TANK HOLDER	
130	L08187600	1	CABLE	
135	L08088000	1	CABLE HANDLE	
140	L08080600	2	CYLINDER SCREW M4X20	
145	L08187000	1	STRAP	
150	L08601393	1	CLAMP WITH CABLE TRACTION	
155	L08601394	1	CABLE HOLDER	
160	L08043800	2	CYLINDER SCREW M6X16	
175	33005607	4	NUT SELF L. M8 UNI7474	5711140066
180	L08604357	1	SHAFT SD4340	
185	L08604244	2	BEARING BUSH	
187	L08183300	2	WASHER	
190	L08163500	2	SPRING DISK	
195	L08604356	2	WHEEL FOR SD4340	
200	L08044900	2	CAP	



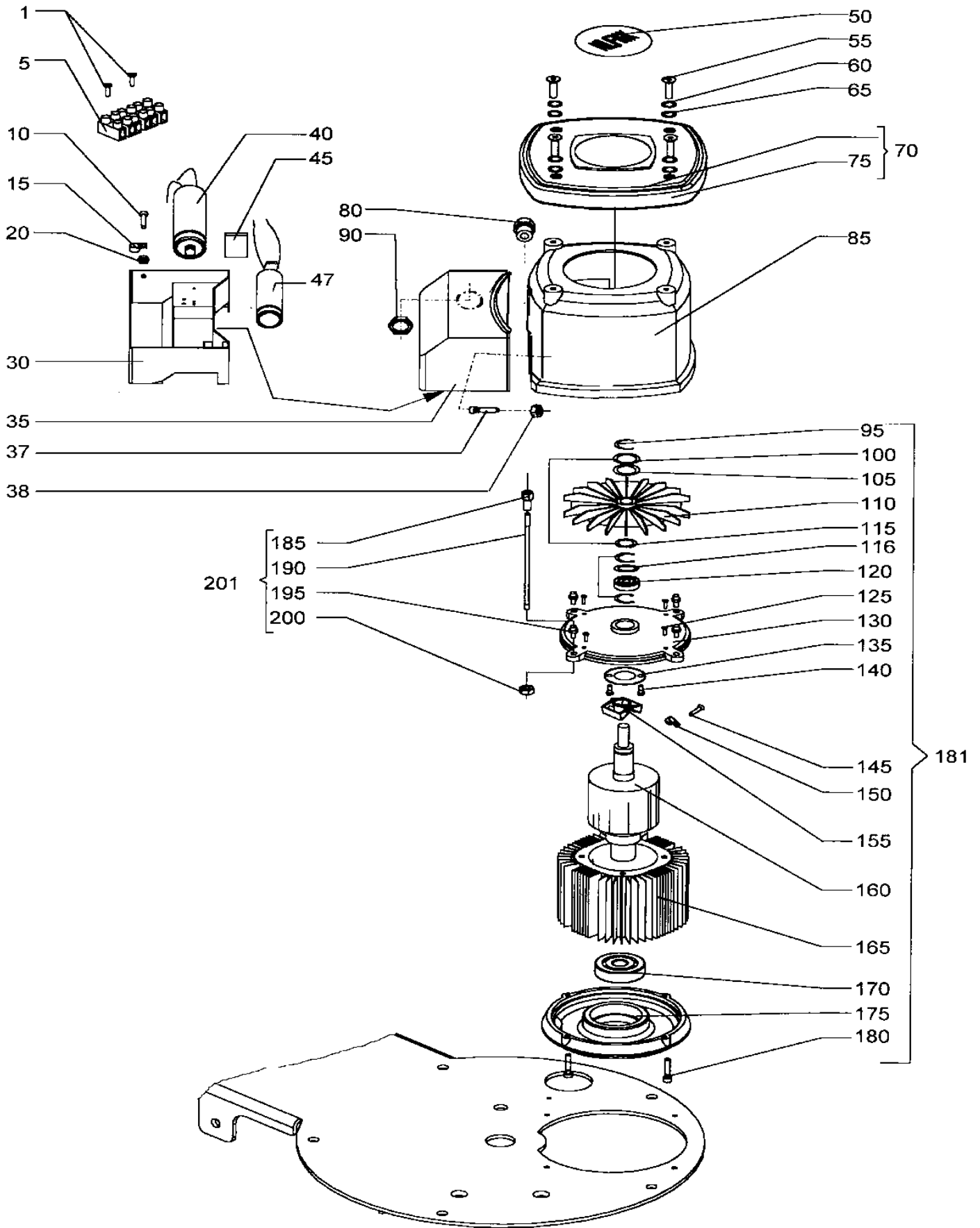
# MOTOR

SD 4340

28-02-2011

Part List ID  
DX49126

9



# MOTOR

SD 4340

28-02-2011

Part List ID  
DX49126

10

Pos	Part no.	Qty	Description	EAN
1	L08095900	2	CHEESE-HEAD SCREW	
5	L08048900	1	BOARD TERMINAL 5 ELEMENT	
10	L08101900	1	COUNTERSUNK SCREW M4X8	
15	L08193000	1	CLAMP CABLE BLACK	5711140012
20	L08053500	1	NUT HEX M4 UNI5588	
30	L08166800	1	CONDENSER BOX	
35	L08604342	1	CAPACITOR HOOD.	
37	L08056400	2	CYLINDER SCREW M4X16	
40	L08059300	1	CAPACITOR 71524.008PL CPL	
45	L08188500	1	CONTACT	
55	L08182800	4	SCREW M5X25	
60	L08040400	4	WASHER FLAT 5X10	
65	L08040500	4	WASHER	
70	L08601053	1	MOTOR TOP WITH BUFFER	
75	L08180900	1	BUFFER-MOTOR COVER	
80	L08192800	1	CLAMP	
85	L08604341	1	MOTOR HOOD.	
90	L08192900	1	NUT	
95	L08182600	1	WASHER	
100	L08183300	2	WASHER	
105	L08163500	2	SPRING DISK	
110	L08166900	1	VENTILATION WHEEL	
115	L08040900	2	RING	
116	L08601171	1	BEARING	
120	L08040800	1	BEARING	
125	L08199800	4	COUNTERSUNK SCREW M5X25	
135	L08041000	1	DISCONNECTION UPPER PART	
140	L08041100	2	SCREW	
145	L08317500	1	SCREW AM 4X6 VZ DIN 7516	
150	L08239900	1	CLAMP D.6 WHITE	5711140012
155	L08041200	1	SWITCH LOWER PART	
160	L08604265	1	ROTOR WITH PINION 50 HZ	
165	L08372652	1	STATOR 230AT 2000W	
170	L08601035	1	BALL BEARING 6908	
180	L08183000	3	CYLINDER SCREW M5X16	
181	L08372252	1	MOTOR 2KW FOR SD4340	
185	L08604205	4	NUT M5 VZ	
195	L08185500	4	INSULATING BUSH	
200	L08081100	4	NUT C38	

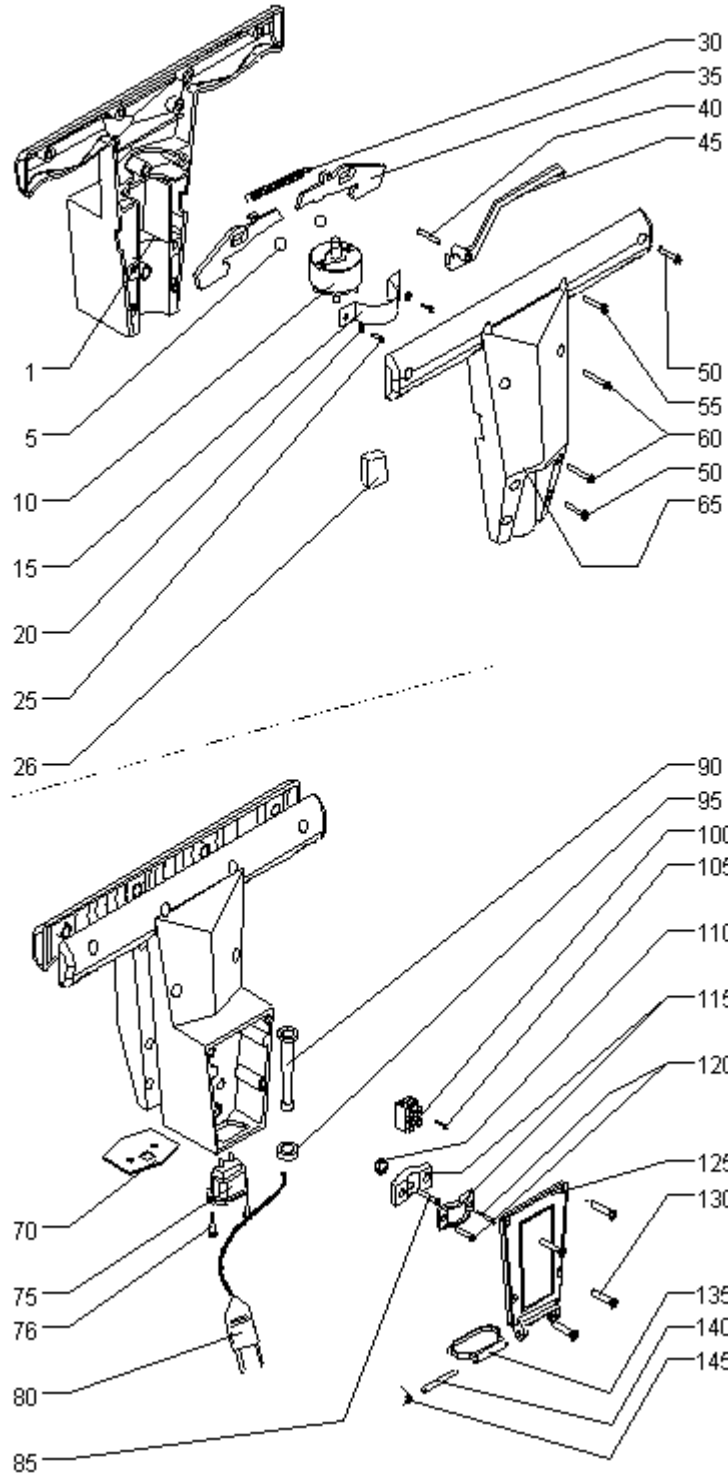
# SWITCH HOUSING

SD 4340

28-02-2011

Part List ID  
DX49128

11



# SWITCH HOUSING

SD 4340

28-02-2011

Part List ID  
DX49128

12

Pos	Part no.	Qty	Description	EAN
1	L08186200	1	CONTACT INCL. PLUG	
5	L08161500	2	STEEL BALL 8MM	
10	L08080300	1	SWITCH	
15	L08088800	1	CLAMP	
20	33005862	2	WASHER M4 UNI8842A	5711140067
25	L08070400	2	CYLINDER SCREW M4X10	
26	L08604320	1	FOAM RUBBER PIECE	
30	L08608541	1	TENSION SPRING	
35	L08080200	2	BREAKER LEVER	
40	L08081800	1	PIN FOR HANDLE 5M6X40	
45	L08081900	1	HANDLE FOR LIFT 511-421A	
50	L08080700	4	CYLINDER SCREW M5X20	
55	L08080800	2	CYLINDER SCREW M5X25	
60	L08080900	4	CYLINDER SCREW M5X40	
65	L08186300	1	SWITCH HOUSING FRONT	
70	L08194500	1	INSULATION	
75	L08187400	1	PLUG BOX	
76	L08196200	2	SCREW C38	
80	L08604294	1	CABLE CPL. 2X1,5 QADR.	
85	L08070400	1	CYLINDER SCREW M4X10	
90	L08604303	1	SLEEVE	
95	L08082900	1	RUBBER RING	
100	L08187300	1	BOARD TERMINAL 2 ELEMENT	5711140012
105	L08093800	1	SCREW 2.9X16 UNI6954 THD FORMING	5711140012
110	L08053500	1	NUT HEX M4 UNI5588	
115	L08080400	1	CLAMP	
120	L08080600	2	CYLINDER SCREW M4X20	
125	L08186500	1	PLATE IN CONTACT	
130	L08101900	4	COUNTERSUNK SCREW M4X8	
135	L08186600	1	COVER FOR SOCKET	
140	L08095600	1	HINGE PIN	
145	L08095400	1	SPRING	

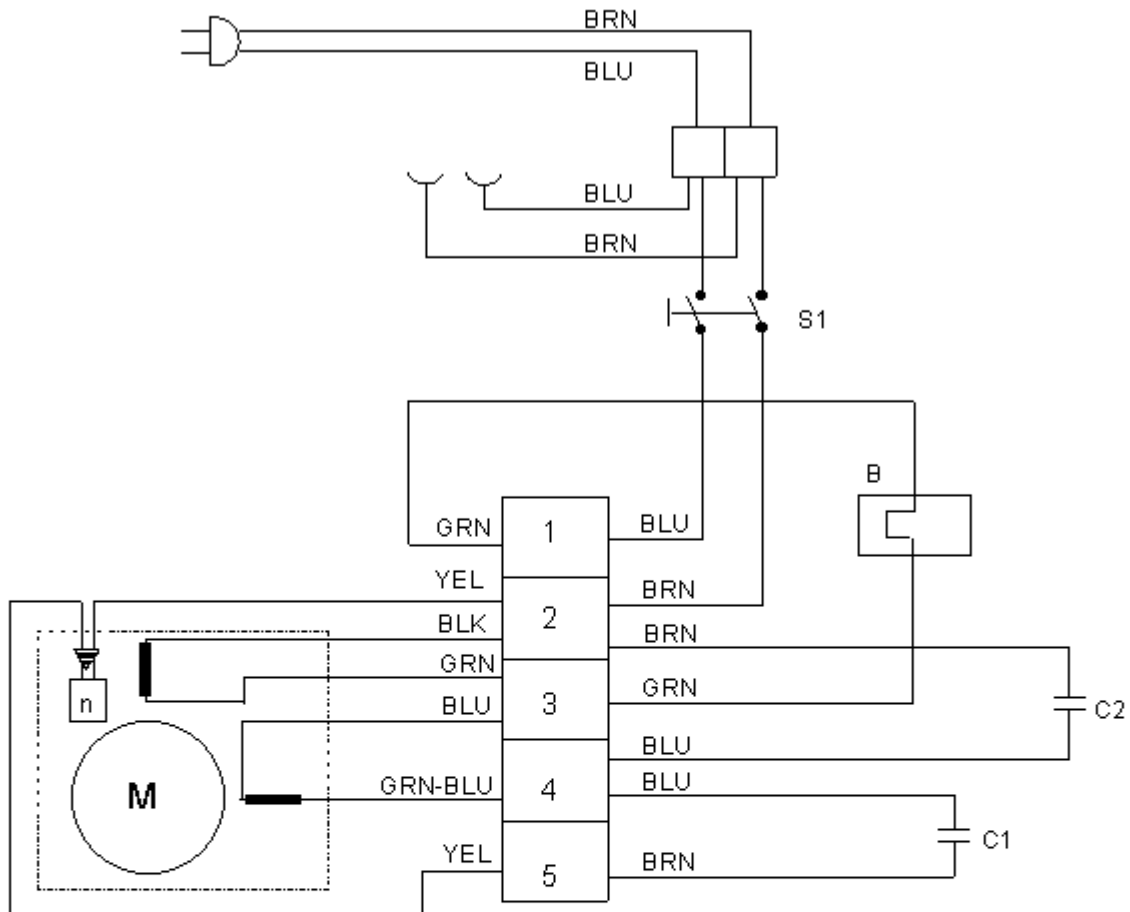
# WIRING DIAGRAM

SD 4340

28-02-2011

Part List ID DX49130

13



<b>B</b>	Thermal Switch	Motorschutzschalter	Disjoncteur-Protecteur
<b>C1</b>	Start Capacitor	Anlaufkondensator	Condensateur
<b>C2</b>	Operating Capacitor	Betriebskondensator	Condensateur
<b>M</b>	Motor	Motor	Moteur
<b>n</b>	Centrifugal Switch	FKS - Schalterkörper	Boîtier Interrupt. Centrifuge
<b>S1</b>	Switch	Schalter	Interrupteur

# WIRING DIAGRAM

SD 4340

28-02-2011

Part List ID  
DX49130

14