

SDM 43-900

Model:
SDM 43-900



Part List English

26-10-2014

Table of Contents

SDM 43-900

Base part 1	3
Base part 2	5
Handle	7
Sprayer	9
Vac unit 1	11
Vac unit 2	13
Vac unit 3	15
Electrical digram	17

Base part 1

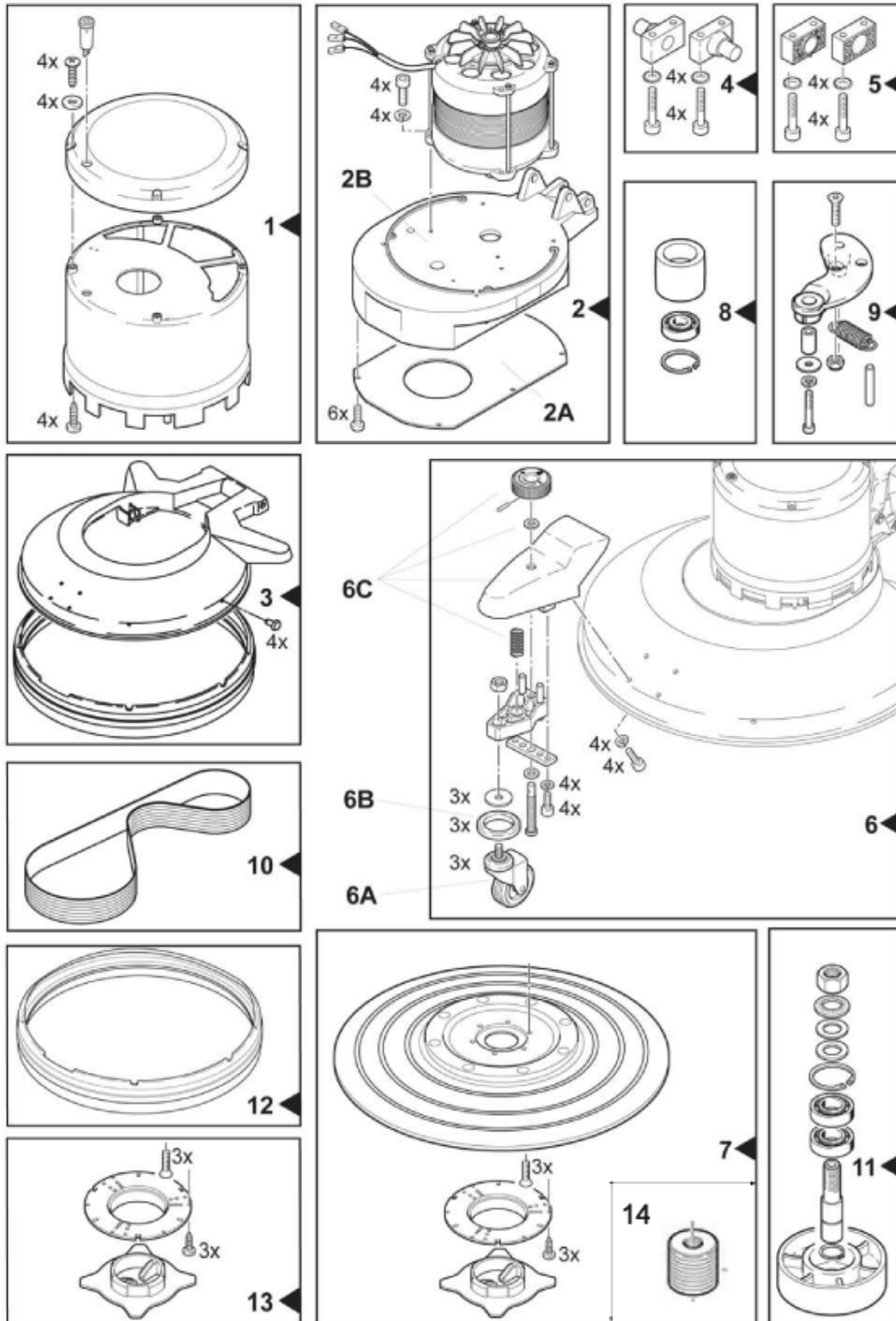
SDM 43-900

26-10-2014

Part List ID

D9333

3



Base part 1

SDM 43-900

26-10-2014

Part List ID
D9333

4

Pos	Part no.	Qty	Description
1	20699300	1	MOTOR HOUSING FOR SDM 53-1500
2	20707900	1	MOTOR COMPLETE 230V/50HZ SDM 43-900
3	20707800	1	LOWER HOUSING FOR
4	20699600	1	BEARING BLOCK WITH SHAFT
5	20699700	1	BEARING BLOCK FOR SDM
6	20699800	1	CASTOR COMPLETE FOR SDM 53-1500
7	20707500	1	DRIVE PLATE COMPLETE FOR SDM 43-900/1500
8	20700000	1	BELT TENSION PULLEY COMPLETE FOR SDM 53-1500
9	20703700	1	BELT TENSION PULLEY FOR SDM 53-1500
10	20703900	1	BELT FOR SDM 53-1500
11	20704000	1	DRIVE PULLEY COMPLETE FOR SDM 53-1500
12	20707600	1	BUFFER RING BASE 43CM
13	20707300	1	CENTER GRIP WITH LOCK KIT
14	20699407	1	MOTORPULLEY SDM 43-900
2A	20699402	1	BOTTOM PLATE
2B	20699408	1	MOTOR SUPPORT FOR SDM53-1500/43-900
6A	20699405	1	CASTOR SDM 53-1500/43
6B	20699404	1	RUBBER RING
6C	20699403	1	GRIP FOR SDM53-1500 43-900

Note:
0= Not Show n

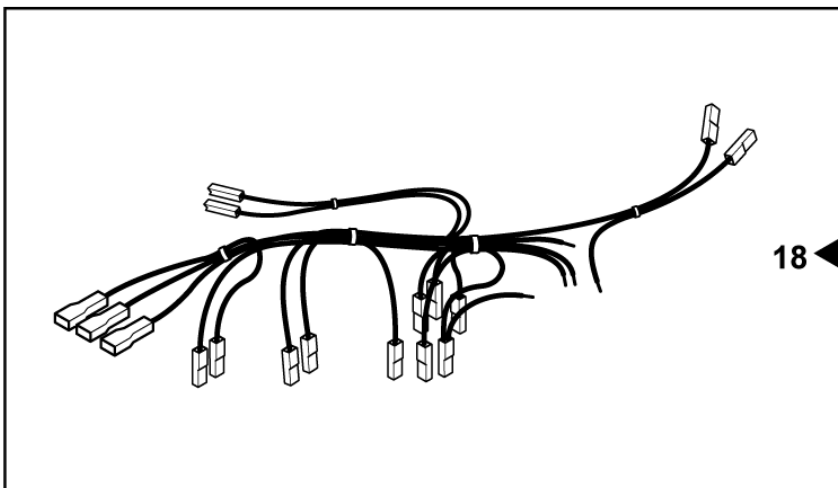
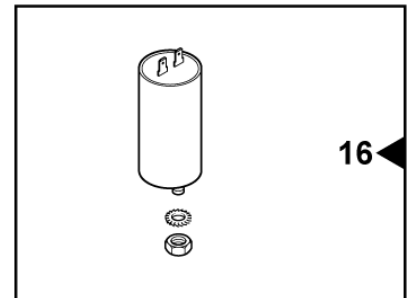
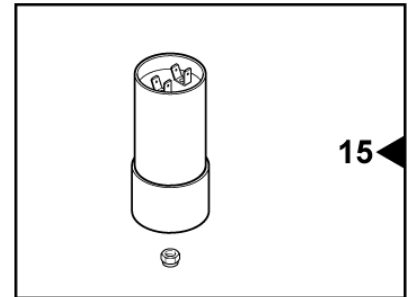
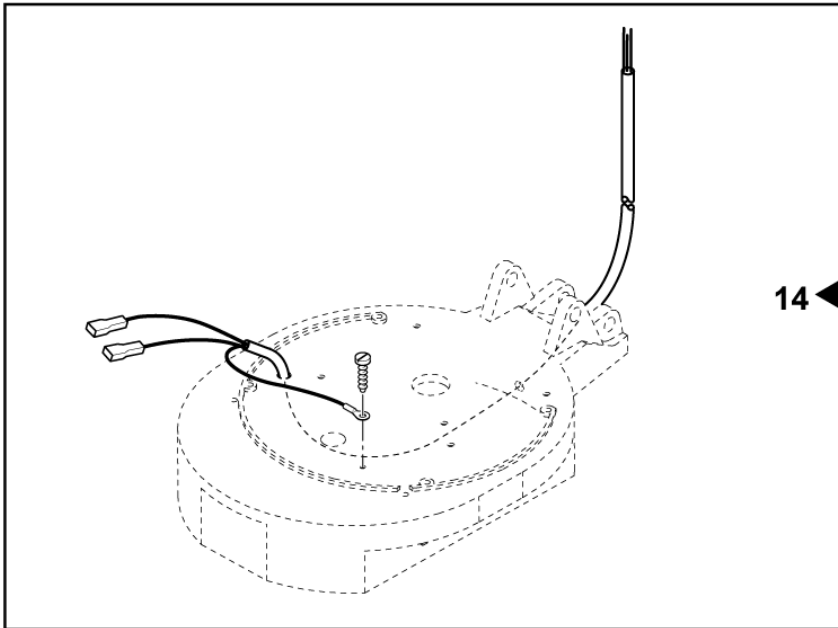
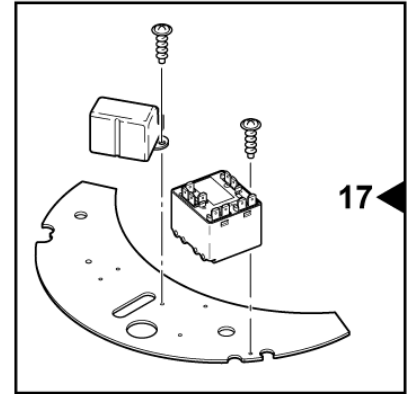
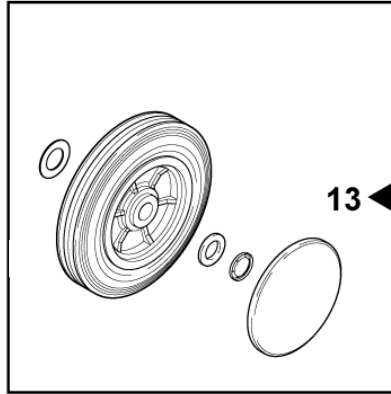
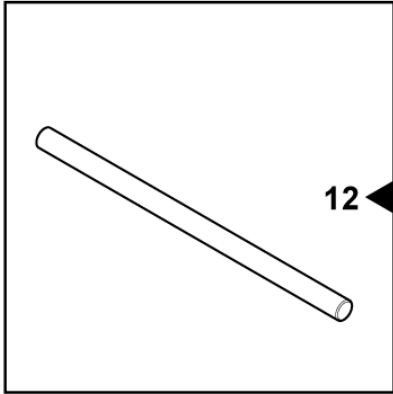
Base part 2

SDM 43-900

26-10-2014

Part List ID
D9335

5



Base part 2

SDM 43-900

26-10-2014

Part List ID D9335

6

Pos	Part no.	Qty	Description
12	20704100	1	WHEEL AXE
13	20697500	1	SINGLE WHEEL COMPLETE FOR
14	20704300	1	WIRING FOR MOTOR FOR SDM 53-1500
15	20697800	1	CAPACITOR 125UF FOR SDM
16	20704500	1	CAPACITOR 45UF FOR SDM 53-1500 230V/50HZ
17	20704600	1	RELAY FOR SDM 53-1500
18	20703800	1	WIRING COMPLETE F/SDM

Handle

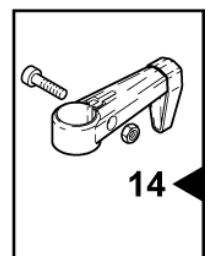
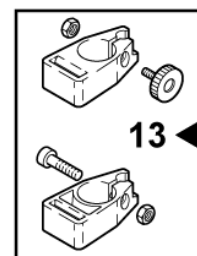
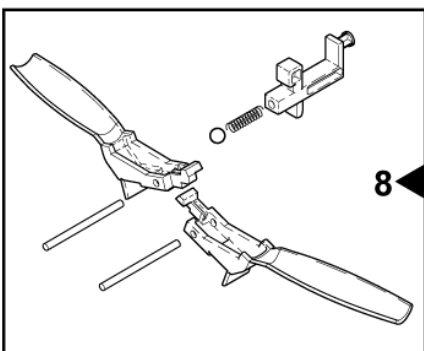
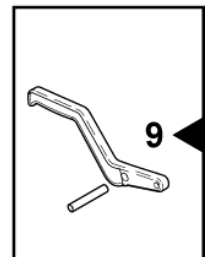
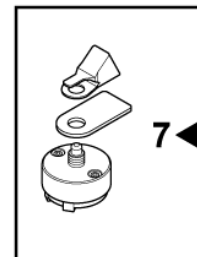
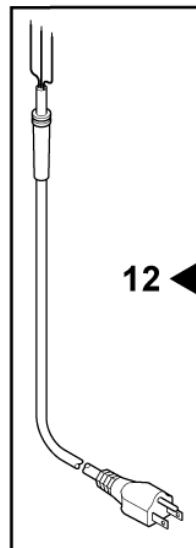
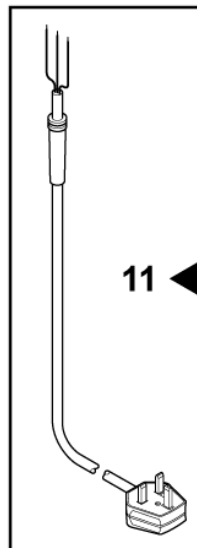
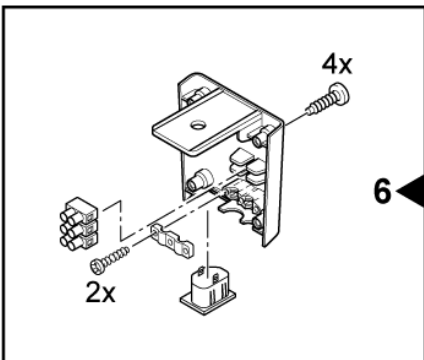
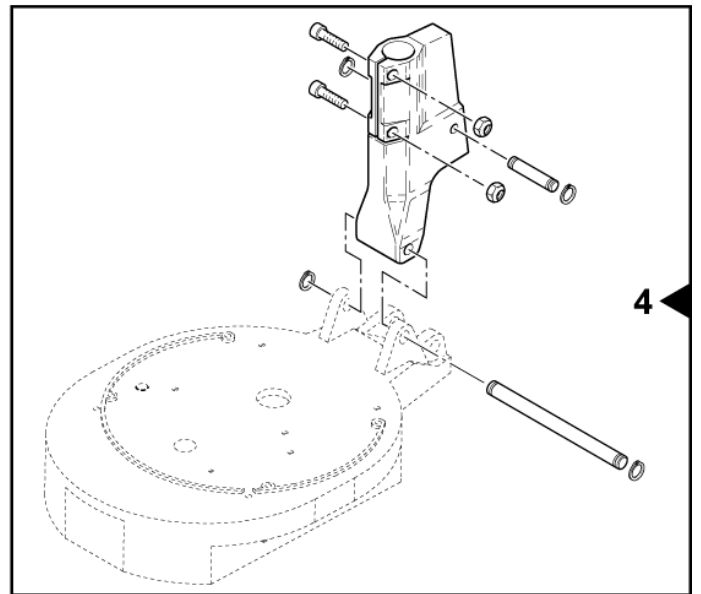
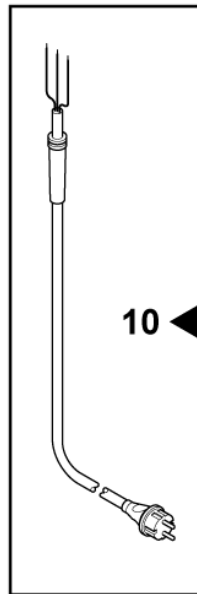
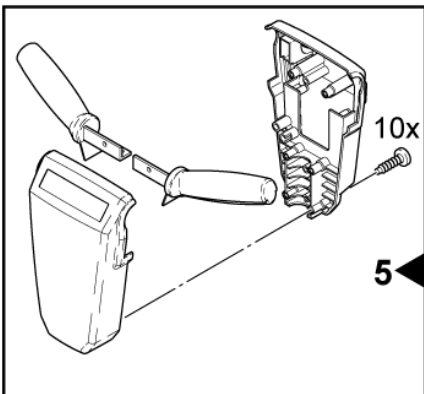
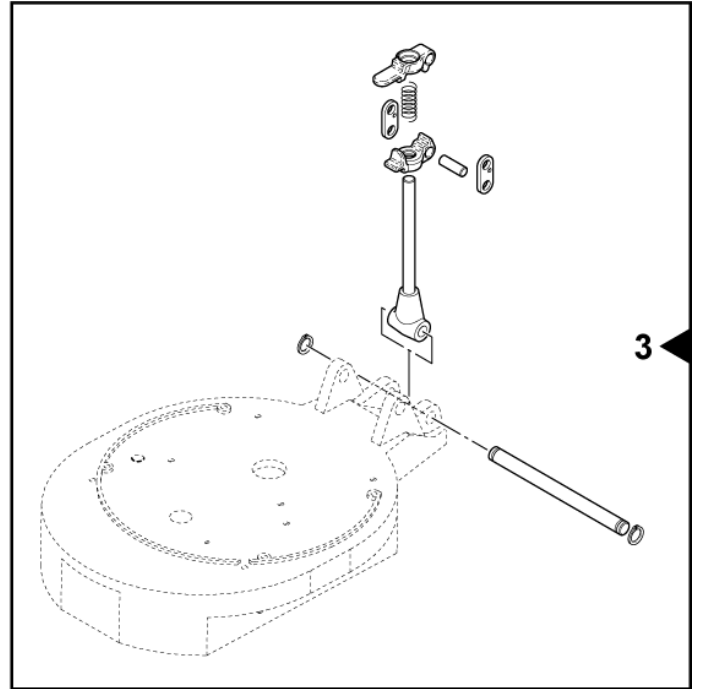
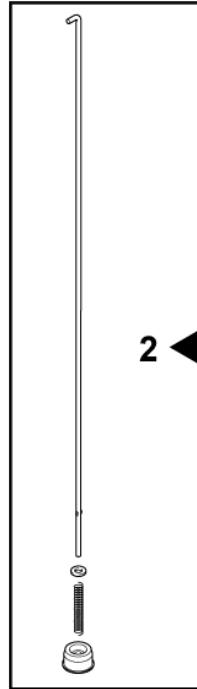
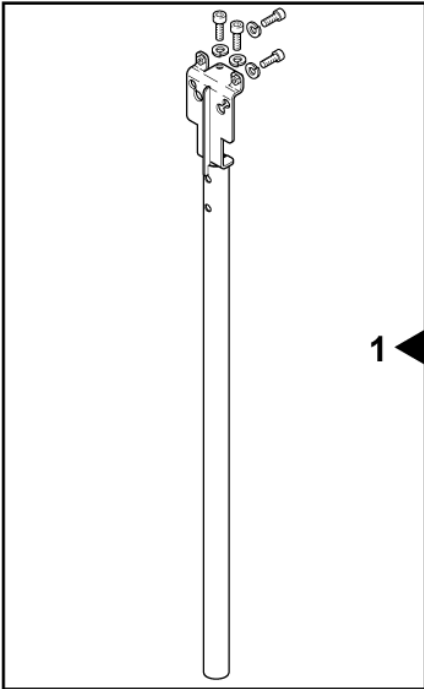
SDM 43-900

26-10-2014

Part List ID

D9337

7



Handle

SDM 43-900

26-10-2014

Part List ID D9337

8

Pos	Part no.	Qty	Description
1	20695300	1	SHAFT TUBE FOR SD/SDM SERIES
2	20695400	1	ROD FOR SD/SDM SERIES
3	20695500	1	SHAFT ADJUSTER COMPLETE FOR SD SERIES
4	20695600	1	SHAFT ADJUSTMENT UNIT FOR SD SERIES
5	20698400	1	TOP PART FOR SDM SERIES
6	20702500	1	CONNECTION BOX CPL. KIT, SDS 424
7	20702600	1	SWITCH CPL. KIT, SDS 424
8	20702710	1	HANDLE LEVER SOFT CPL. FOR SD/SDM SERIES
9	20702800	1	SHAFT ADJUSM. LEVER CPL KIT, SDS 424
10	20695800	1	CABLE 110-230V/50-60HZ
11	20695900	1	CABLE 110-230V/50-60HZ UK
12	20696000	1	CABLE 110-230V/50-60HZ BLACK US
13	20703000	1	SOLUTION TANK HOLDER
14	20703100	1	CABLE HOOK, SDS 424

Sprayer

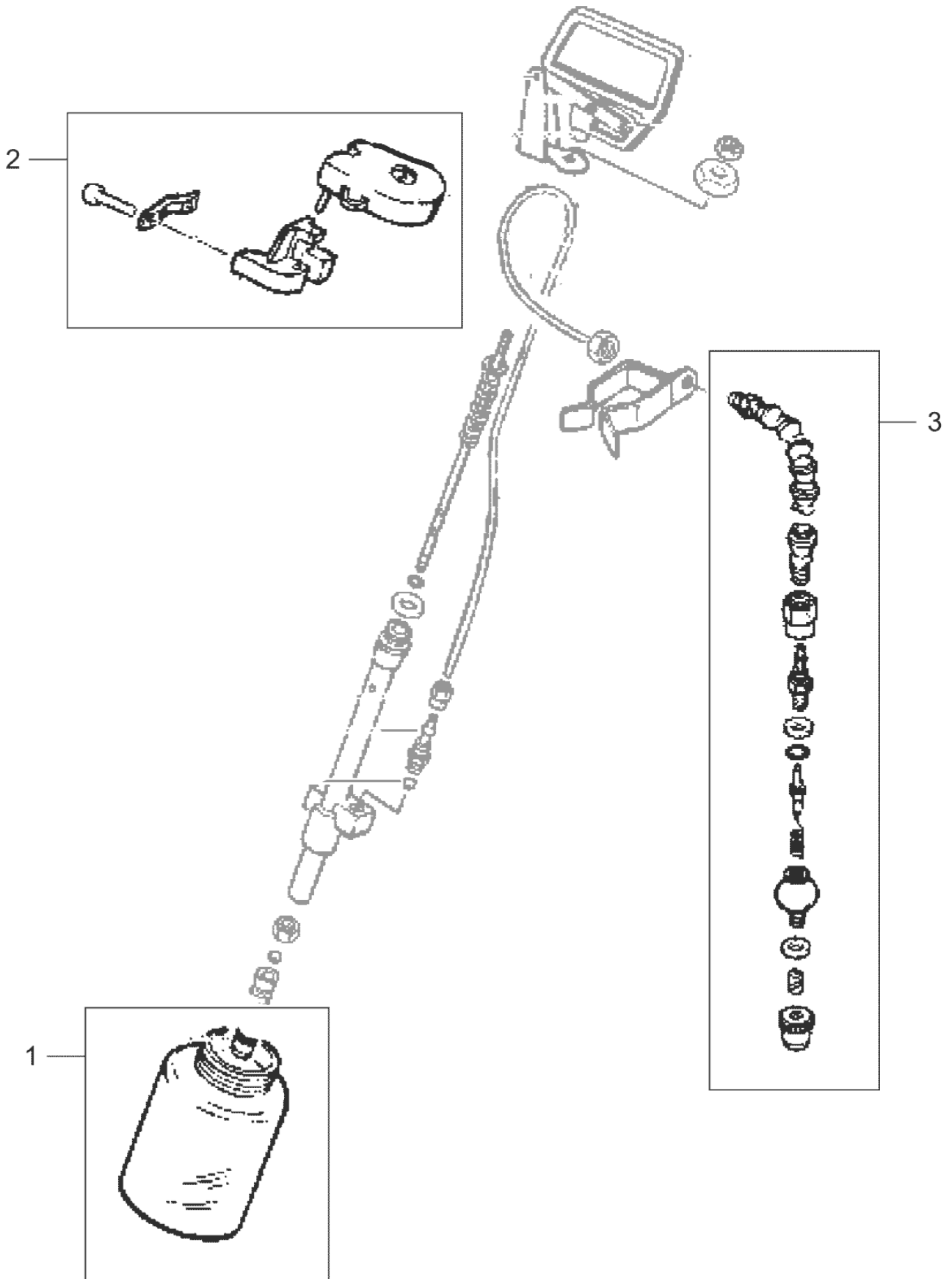
SDM 43-900

26-10-2014

Part List ID

D9339

9



Sprayer

SDM 43-900

26-10-2014

Part List ID
D9339

10

Pos	Part no.	Qty	Description
1	20708200	1	SPRAY BOTTLE FOR SPRAYER
2	20708220	1	HOLDER F. SPRAYER CPL KIT
3	20708210	1	SPRAYER HOSE CPL KIT

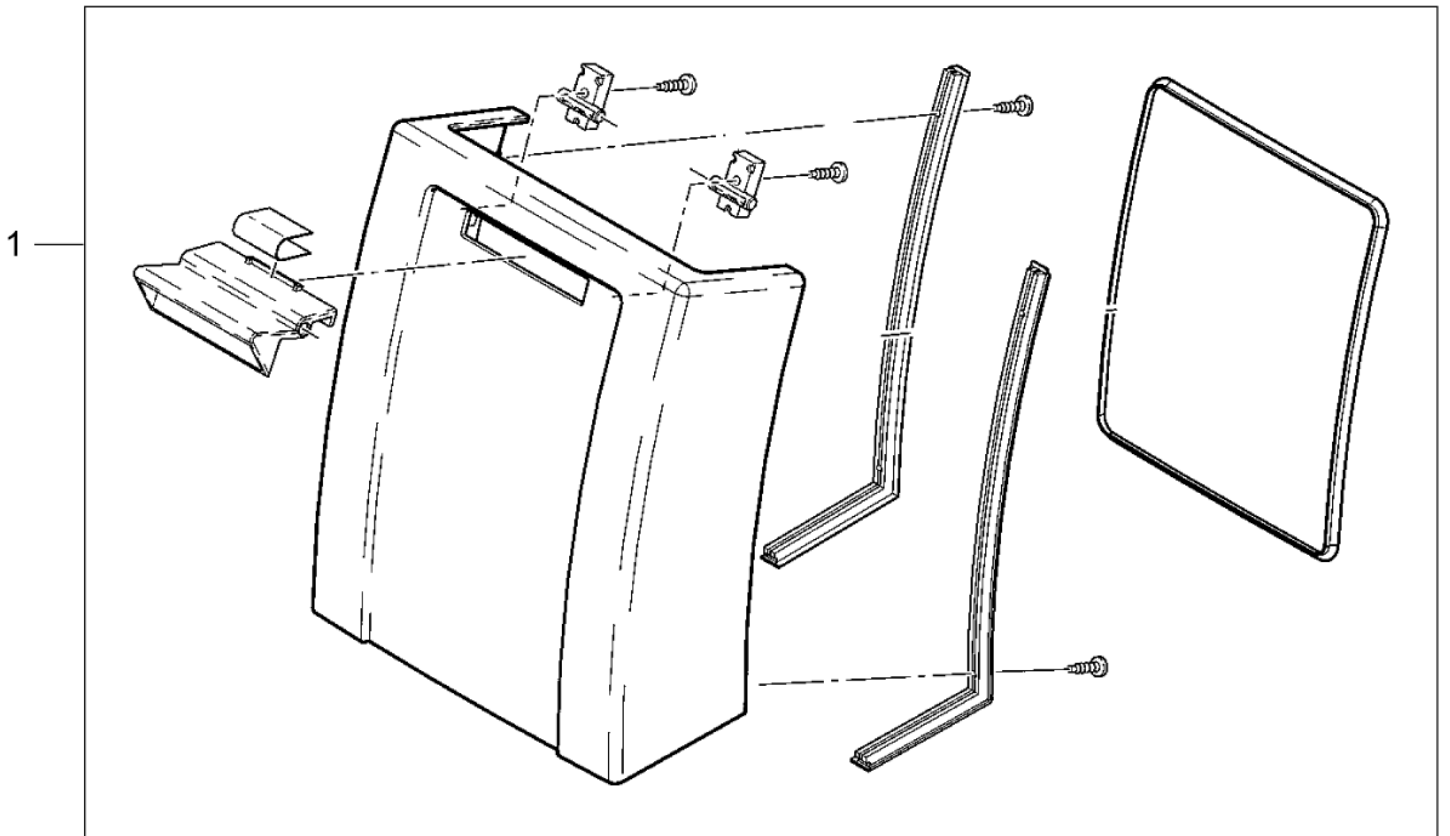
Vac unit 1

SDM 43-900

26-10-2014

Part List ID
D93311

11



Vac unit 1

SDM 43-900

26-10-2014

Part List ID
D93311

12

Pos	Part no.	Qty	Description
1	20708110	1	DUST COVER KIT

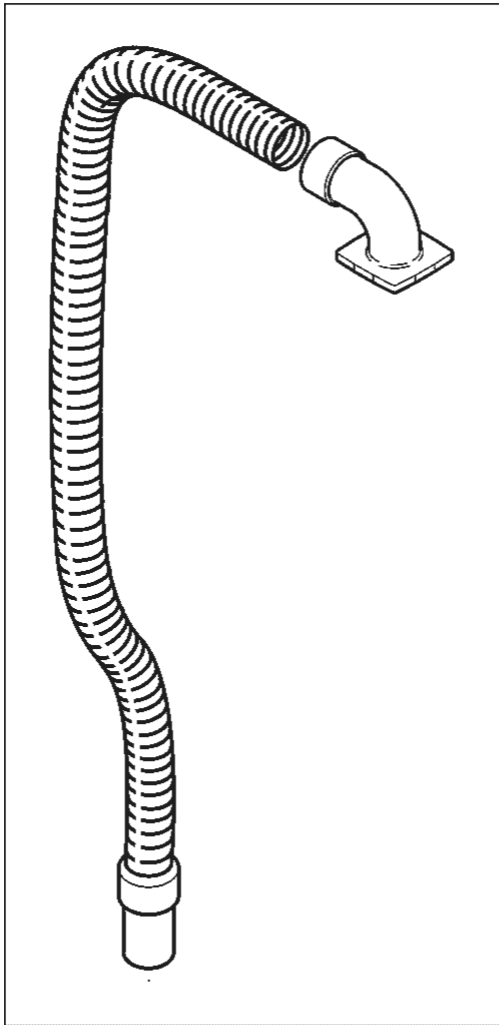
Vac unit 2

SDM 43-900

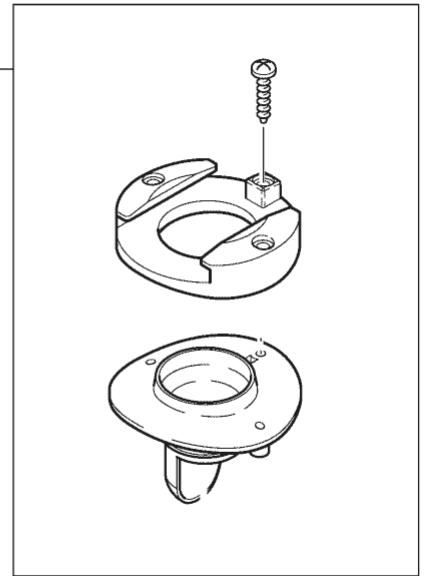
26-10-2014

Part List ID
D93313

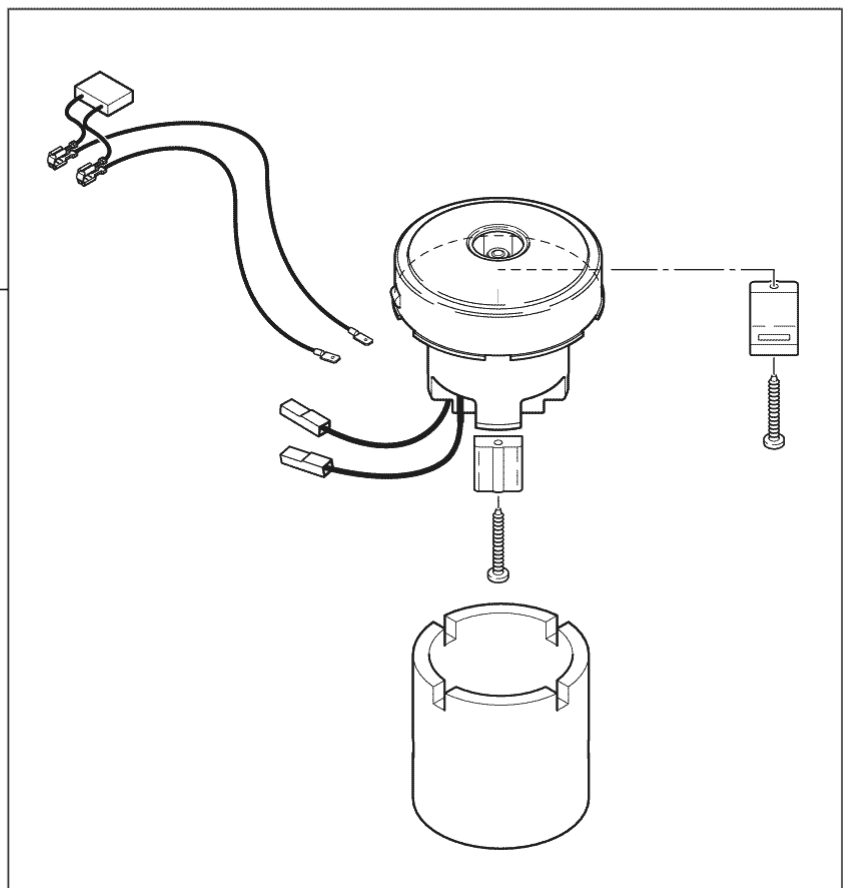
13



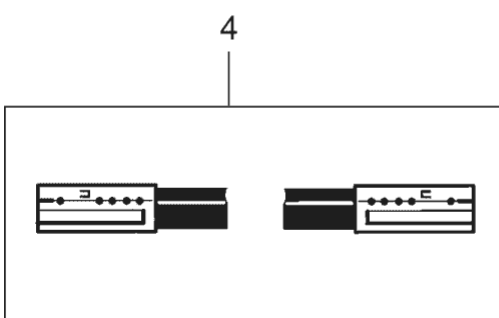
1



2



3



4

Vac unit 2

SDM 43-900

26-10-2014

Part List ID
D93313

14

Pos	Part no.	Qty	Description
1	20708100	1	suction hose kit cpl
2	20708190	1	TANK CONNECTION W SAFFLE
3	20708120	1	MOTOR CPL KIT
4	20708130	1	CARBON BRUSHES KIT

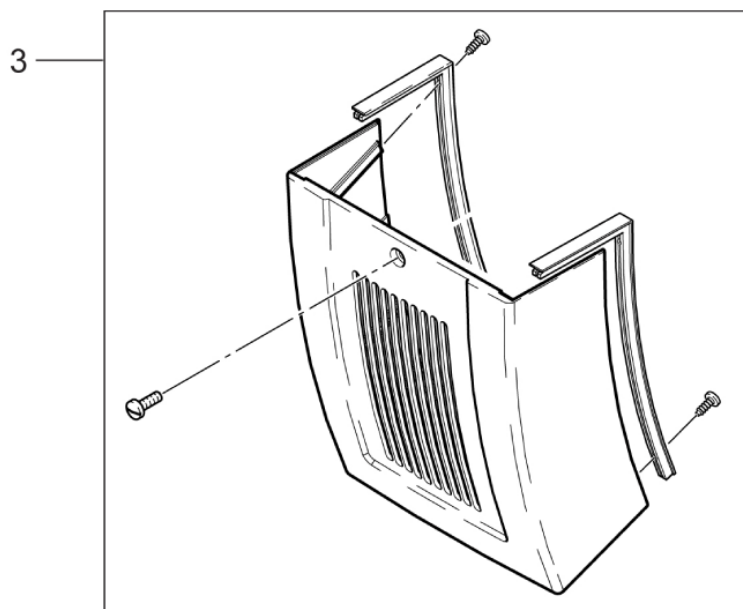
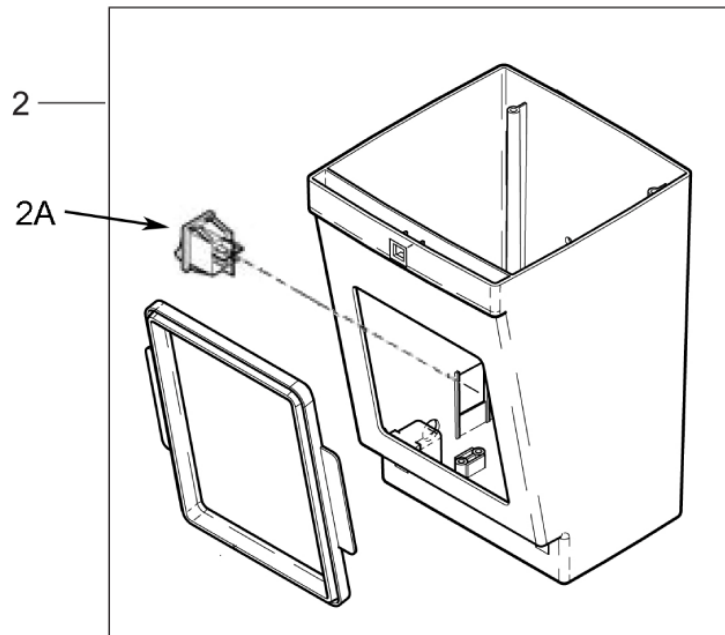
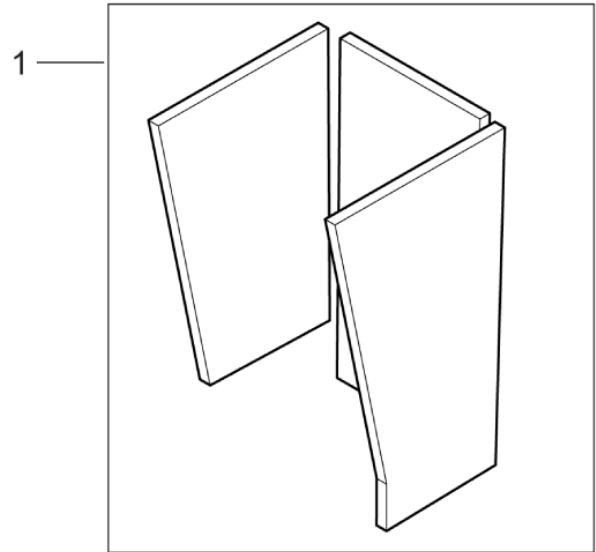
Vac unit 3

SDM 43-900

26-10-2014

Part List ID
D93315

15



Vac unit 3

SDM 43-900

26-10-2014

Part List ID
D93315

16

Pos	Part no.	Qty	Description
1	20708160	1	NOISE ABSORBING MATERIAL
2	20708140	1	LOWER COVER W FILTER SEAL
3	20708150	1	FILTER COVER PRE-ASSEM
2A	20699410	1	VACUUM SWITCH SDM 53-1500/43-900

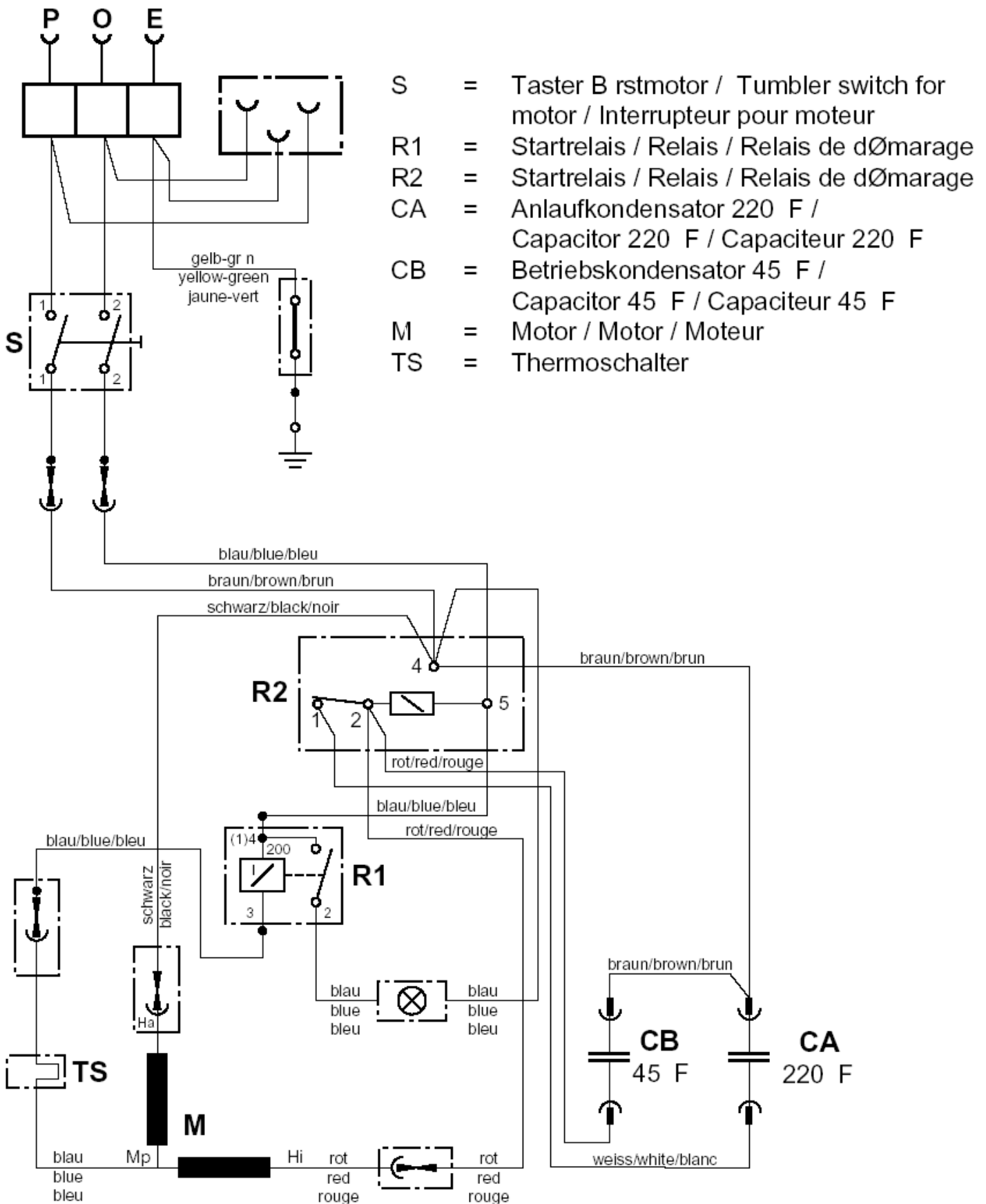
Electrical digram

SDM 43-900

26-10-2014

Part List ID
D93316

17



Electrical digram

SDM 43-900

26-10-2014

Part List ID D93316

18