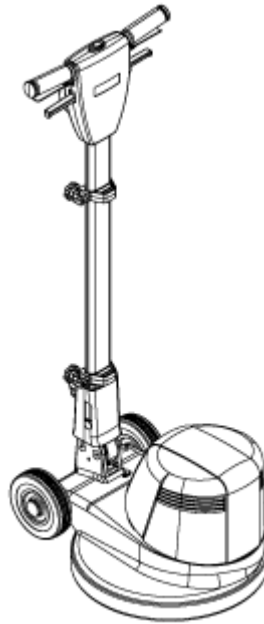


SPINTEC 443

Model:
SPINTEC 443
SPINTEC 443 FR



Part List US-English

17-02-2015

Table of Contents

SPINTEC 443

Base system SPINTEC 443	3
Handle system	6
Wiring and recommended spare parts	9
Brush selector guide	12
Accessories	14
Solution tank kit 10104A	16
Foam generator kit 11294A	18
Spray buff kit 11295A	20
Dust collection kit 56381571	22

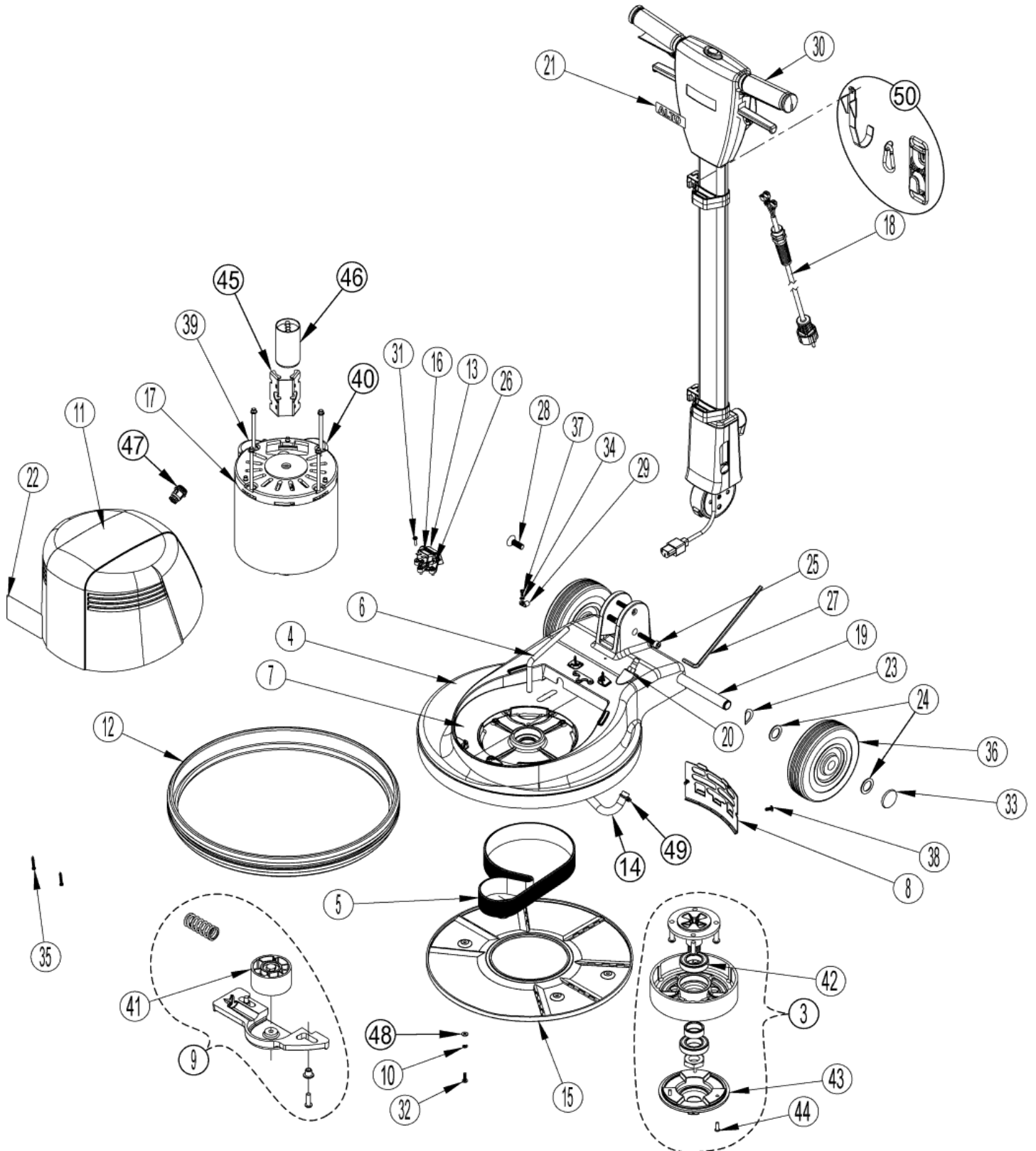
Base system SPINTEC 443

SPINTEC 443

17-02-2015

Part List ID
SPINTEC44302

3



Base system SPINTEC 443

SPINTEC 443

17-02-2015

Part List ID
SPIN I EC:44302

4

Pos	Part no.	Qty	Description	
3	56380089	1	SPINDLE ASM	Contains items 42, 43, 44
4	56380095	1	MAINFRAME NILFISK ALTO 443	
5	56380104	1	BELT POLY V 838 PJ16	
6		1	NOTE COMMENT	BELT TENSION ASSEMBLY (CONTAINS ITEM 41)
7	56381565	1	COOLING PLATE	
8	56381566	1	BACK COVER	
9	56381579	1	BELT TENSION ASM	
10		1	NOTE COMMENT	WASHER M5 HELICAL LOCK
11		1	NOTE COMMENT	COVER MOTOR ASM
12	30272A	1	BUMPER	
13		1	NOTE COMMENT	MOUNT INLET
14		1	NOTE COMMENT	HOSE SOLUTION
15		1	NOTE COMMENT	COVER BOTTOM
16		1	NOTE COMMENT	INLET IEC 60320 C14
17	40258A	1	MOTOR LOW SPEED	
18	40249A	1	CORD POWER UK	
18	40268A	1	CORD POWER	
19	61956A	1	SHAFT WHEEL	
20		1	NOTE COMMENT	HOSEBARB STRAIGHT
21		1	NOTE COMMENT	LABEL HANDLE COVER
22		1	NOTE COMMENT	LABEL SPINTEC 443 MTR COVER (NOTES 1, 2)
23		1	NOTE COMMENT	WASHER BOWED 20MM
24		1	NOTE COMMENT	WASHER FLAT 20MM
25		1	NOTE COMMENT	SCREW M8 - 1 X 45 SOCKET RECESS
26		1	NOTE COMMENT	SCREW ST4.2-1.4 X16 SS TRUSS HD PH
27		1	NOTE COMMENT	WRENCH ALLEN 6MM
28		1	NOTE COMMENT	SCREW M10-1.5 X 30 FLAT HEAD
29		1	NOTE COMMENT	CLAMP-1/4 CABLE/TUBING
30	56382013	1	NILFISK ALTO ASM W/CEE 7/7	(includes #18 / PN 40268A)
30	56382014	1	NILFISK ALTO ASM W/BS-1363	(includes #18 / PN 40249A)
31		1	NOTE COMMENT	SCR, M4.7X16MM PAN CROSS RECESS THD FORM
32		1	NOTE COMMENT	SCREW M5-.8 X 16
33		1	NOTE COMMENT	WHEEL RETAINER
34		1	NOTE COMMENT	WASHER EXTERNAL TOOTH M4
35		1	NOTE COMMENT	SCREW ST4-1.4 X 30 PAN HEAD
36		1	NOTE COMMENT	WHEEL 160MM DIA. GRAY
37		1	NOTE COMMENT	SCR M4 X 10 SS PAN CROSS RECESS
38	GT13054	2	SCREW PAN HEAD M5X12	
39	VF32109	1	RUNNING CAPACITOR 20UF/600V	
40	VF999849	1	START CAPACITOR 100F/300V	
41	56380090	1	FLAT IDLER ASM	
42	VF14061	1	BEARING 6006	
43	56380099	1	DRIVER	

Base system SPINTEC 443

SPINTEC 443

17-02-2015

Part List ID
SPIN I EC:44302

5

Pos	Part no.	Qty	Description	
44	56381538	1	SCR M5-.8X16 BTN HD SS	
50	56382010	1	CONVENIENCE KIT	
K1	11282A	2	WHEEL KIT	Pos. 23, 24, 33, 36
K2	11264A	1	DECAL KIT ALTO	Pos. 21, 22
K2	11289A	1	DECAL KIT NILFISK ALTO	Pos. 21, 22
K3	11265A	1	NILFISK ALTO MOTOR COVER KIT	Pos. 11, 35
K5	56382001	1	INSTALLATION TOOL AND HARDWARE KIT	Pos. 25, 27, 28, 29, 34, 37
K6	56380089	1	SPINDLE ASM	Pos. 3, 42, 43, 44
K7	11284A	1	SOLUTION FITTINGS KIT	Pos. 6, 14, 20, 49
K8	11267A	1	BOTTOM COVER KIT	Pos. 10, 15, 32
K9	11283A	1	INLET KIT	Pos. 13, 16, 26, 31
K10	56381579	1	BELT TENSION ASM	Pos. 9, 41

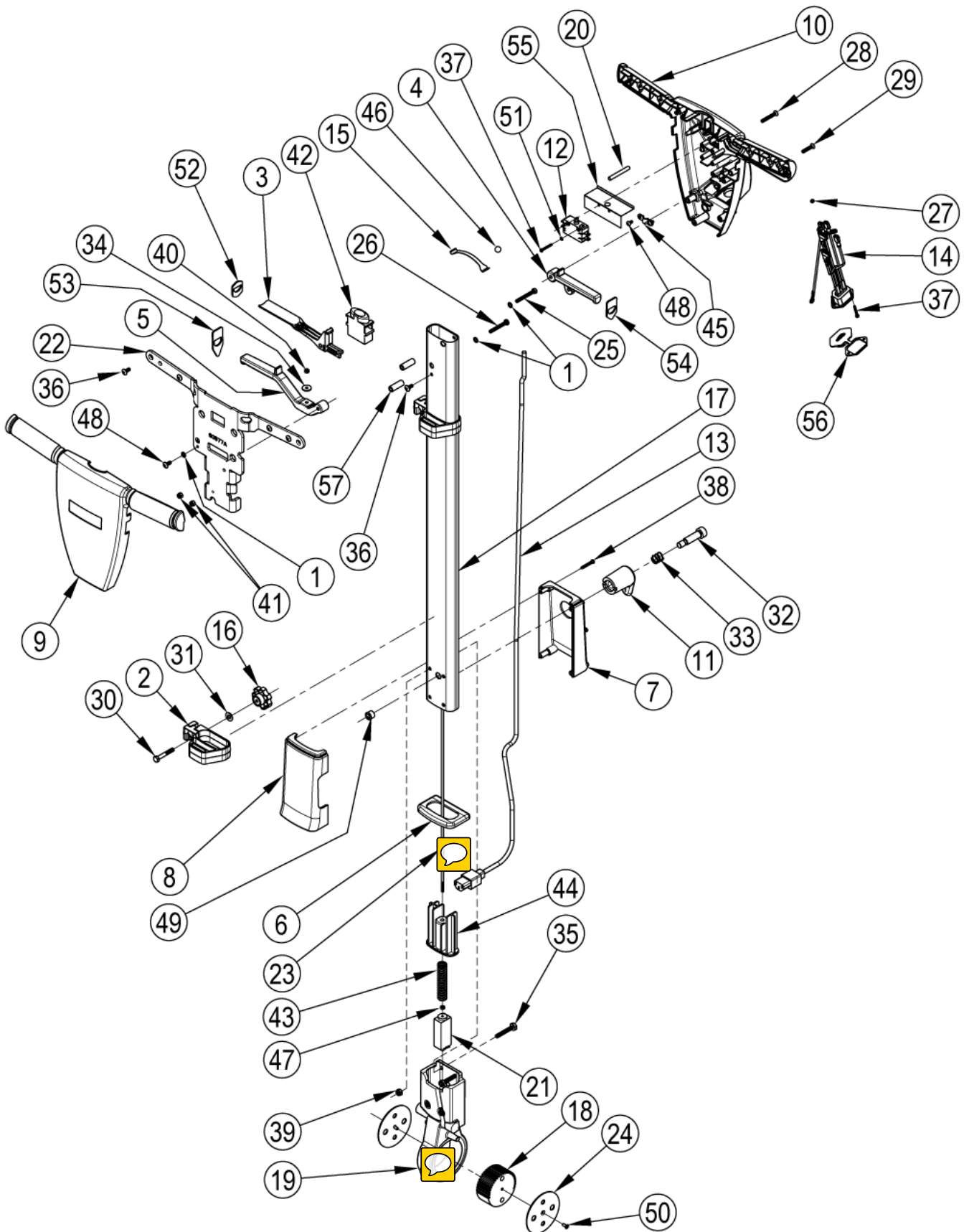
Handle system

SPINTEC 443

17-02-2015

Part List ID
SPINTEC44308

6



Handle system

SPINTEC 443

17-02-2015

Part List ID
SPIN I EC:44308

7

Pos	Part no.	Qty	Description
1		3	NOTE COMMENT WASHER SH 1210-00
2		2	NOTE COMMENT ACCESSORY CLAMP
3		2	NOTE COMMENT LEVER SWITCH
4		1	NOTE COMMENT LEVER SOLUTION
5		1	NOTE COMMENT LEVER HANDLE ADJUSTMENT
6		1	NOTE COMMENT CAP RUBBER
7		1	NOTE COMMENT COVER REAR
8		1	NOTE COMMENT COVER FRONT
9		1	NOTE COMMENT COVER HANDLE FRONT
10		1	NOTE COMMENT COVER REAR
11		1	NOTE COMMENT HOOK CORD
12	40263A	1	SWITCH DPST
13	40269A	1	INTERCONNECT CORD
14		1	NOTE COMMENT OUTLET / WIRING ASSEMBLY
15		1	NOTE COMMENT SPRING INTERLOCK BUTTON
16		2	NOTE COMMENT KNOB CLAMP M6
17		1	NOTE COMMENT TUBE HANDLE
18		1	NOTE COMMENT INDEX GEAR
19		1	NOTE COMMENT HANDLE MOUNT
20		4	NOTE COMMENT PIN HANDLE SUPPORT
21		1	NOTE COMMENT PLUNGER
22		1	NOTE COMMENT HANDLE SUPPORT
23		1	NOTE COMMENT ROD INDEX
24		2	NOTE COMMENT PLATE, GEAR HOUSING
25		1	NOTE COMMENT SCREW M5 X 43 SS HEX HEAD
26		1	NOTE COMMENT SCREW M5 X 40 SS PAN HEAD PHILLIPS
27		2	NOTE COMMENT NUT HEX M3-0.5 SS
28		4	NOTE COMMENT SCREW M5 X 35 SS FLAT HEAD PHILLIPS
29		2	NOTE COMMENT SCREW M5 X 25 SS FLAT HEAD PHILLIPS
30		2	NOTE COMMENT SCR M6-1 X40 HEX SS
31		2	NOTE COMMENT WASHER FLAT 6.6X15.8X1.5 SS
32		1	NOTE COMMENT SCR SHOULDER 12MM X 35MM, M10-1.5
33		1	NOTE COMMENT SPRING 15 MM X 15 MM LONG
34		1	NOTE COMMENT WASHER M4 X16
35		4	NOTE COMMENT SCREW M6 X 40 SS HEX HEAD
36		5	NOTE COMMENT SCREW M5 X 12 SS TRUSS HEAD PHILLIPS
37		4	NOTE COMMENT SCREW M3 X 25 SS PAN HEAD PHILLIPS
38		4	NOTE COMMENT SCREW ST4-1.4 X 30 PAN HEAD
39		4	NOTE COMMENT NUT M6 SS NYLON INSERT
40		1	NOTE COMMENT NUT M4 SS NYLON INSERT
41		2	NOTE COMMENT NUT M5 SS NYLON INSERT
42		1	NOTE COMMENT BUTTON INTERLOCK
43		1	NOTE COMMENT SPRING COMPRESSION

Handle system

SPINTEC 443

17-02-2015

Part List ID
SPIN I EC:44308

8

Pos	Part no.	Qty	Description	
44		1	NOTE COMMENT	HOUSING SPRING BLACK
45		1	NOTE COMMENT	CLAMP CORD
46		1	NOTE COMMENT	BALL INTERLOCK 10MM
47		1	NOTE COMMENT	NUT M4 SS JAM
48		4	NOTE COMMENT	SCREW, M4 X 8 SS PAN HEAD PHILLIPS
49		1	NOTE COMMENT	BUSHING-OPEN/CLOSED .50
50		2	NOTE COMMENT	SCR M4-.7 X 10MM FLT PHILLIPS
51		2	NOTE COMMENT	WASHER M3 EXTERNAL TOOTH
52		2	NOTE COMMENT	SWITCH LEVER SEAL
53		1	NOTE COMMENT	RELEASE LEVER SEAL
54		1	NOTE COMMENT	ACCESSORY LEVER SEAL
55		1	NOTE COMMENT	SWITCH DRIP GUARD
56	VF73708	1	WATERPROOF CAP	
K1	11269A	1	CORD WRAP KIT	Pos. 11, 12, 13, 32, 33
K2	11279A	1	HANDLE COVER KIT	Pos. 9, 10, 28, 29
K3	11273A	1	HANDLE SUPPORT KIT	Pos. 1, 22, 25, 26, 36, 41
K4	11274A	1	HANDLE SWITCH LEVER KIT	Pos. 3, 4, 5, 15, 20, 34, 37,40,42 45, 46, 48, 51,
K5	11286A	1	RELEASE SPRING AND ROD KIT	Pos. 23, 34, 40, 43, 47
K6	56381560	1	POLISHER GEAR SET KIT	Pos. 18, 19, 21, 24, 50
K7	56381561	1	POLISHER GEAR HOUSING AND TUBE KIT	Pos. 17, 19, 35, 39, 44, 57
K8	11270A	1	OUTLET KIT	Pos. 14, 27, 37
K9	11268A	2	MOUNT ACCESSORY KIT	Pos. 2, 16, 30, 31
K10	11271A	1	REAR AND FRONT COVER KIT	Pos. 6, 7, 8, 38, 49

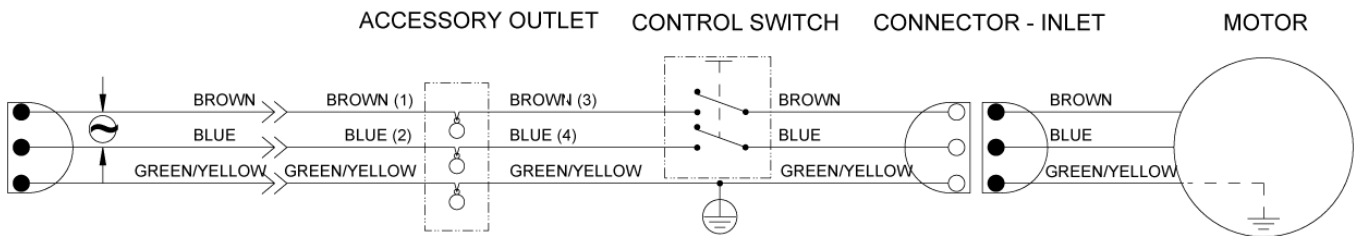
Wiring and recommended spare parts

SPINTEC 443

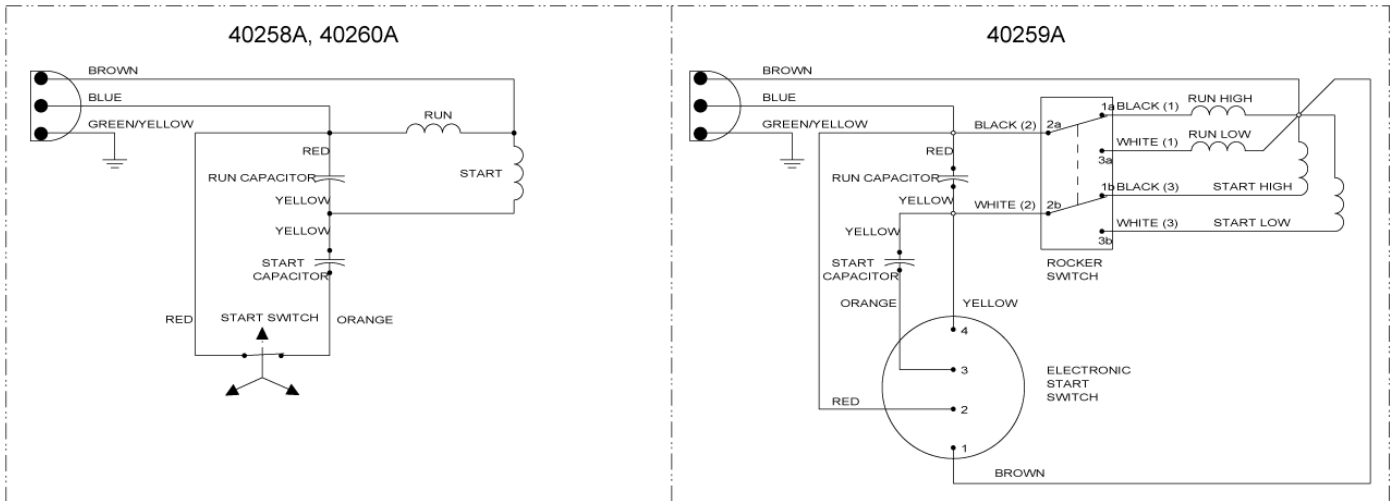
17-02-2015

Part List ID
SPINTEC44310

9



MOTOR DIAGRAM



Wiring and recommended spare parts

SPINTEC 443

17-02-2015

Part List ID
SPIN I EC:44310

10

Pos	Part no.	Qty	Description	
B	11264A	1	DECAL KIT ALTO	EM
B	11265A	1	NILFISK ALTO MOTOR COVER KIT	EM
B	11267A	1	BOTTOM COVER KIT	EM
B	11282A	1	WHEEL KIT	EM
B	11283A	1	INLET KIT	EM
B	11284A	1	SOLUTION FITTINGS KIT	EM
B	11288A	1	NILFISK ALTO DS MOTOR COVER KIT	EM
B	11289A	1	DECAL KIT NILFISK ALTO	EM
B	30272A	1	BUMPER	OM
B	40258A	1	MOTOR LOW SPEED	EM
B	40259A	1	MOTOR DUAL SPEED	EM
B	40260A	1	MOTOR HIGH SPEED	EM
B	40264A	1	SWITCH ROCKER ON-ON	OM
B	47378A	1	SWITCH MOTOR STARTING CLASSI	OM
B	56380089	1	SPINDLE ASM	EM
B	56380090	1	FLAT IDLER ASM	OM
B	56380095	1	MAINFRAME NILFISK ALTO 443	EM
B	56380096	1	MAINFRAME NILFISK ALTO 443 H	EM
B	56380099	1	DRIVER	OM
B	56380104	1	BELT POLY V 838 PJ16	OM
B	56381562	1	SADDLE START SWITCH	EM
B	56381566	1	BACK COVER	EM
B	56381579	1	BELT TENSION ASM	EM
B	56381579	1	BELT TENSION ASM	EM
B	61956A	1	SHAFT WHEEL	EM
B	GT17003	1	CAPACITOR	OM, SPINTEC 443 H
B	GT17004	1	CAPACITOR	OM, SPINTEC 443 DS
B	VF14061	1	BEARING 6006	OM
B	VF32109	1	RUNNING CAPACITOR 20UF/600V	OM
B	VF999848	1	RUN CAPACITOR 23F/500V	OM
B	VF999849	1	START CAPACITOR 100F/300V	OM, SPINTEC 443
F	40249A	1	CORD POWER UK	EM
F	40268A	1	CORD POWER	EM
F	56382010	1	CONVENIENCE KIT	EM
F	56382013	1	NILFISK ALTO ASM W/CEE 7/7	EM (includes PN 40268A)
F	56382014	1	NILFISK ALTO ASM W/BS-1363	EM (includes PN 40249A)
H	11268A	1	MOUNT ACCESSORY KIT	OM
H	11269A	1	CORD WRAP KIT	EM
H	11270A	1	OUTLET KIT	EM
H	11271A	1	REAR AND FRONT COVER KIT	EM
H	11273A	1	HANDLE SUPPORT KIT	EM
H	11274A	1	HANDLE SWITCH LEVER KIT	OM

Pos. B = Base system, Pos. F = Final assembly, Pos. H = Handle assembly

Commet - Class:

W = Normal Wear

OM = Ordinary Maintenance

Wiring and recommended spare parts

SPINTEC 443

17-02-2015

Part List ID
SPIN I EC:44310

11

Pos	Part no.	Qty	Description	
H	11279A	1	HANDLE COVER KIT	EM
H	11286A	1	RELEASE SPRING AND ROD KIT	EM
H	40263A	1	SWITCH DPST	OM
H	40269A	1	INTERCONNECT CORD	EM
H	56381560	1	POLISHER GEAR SET KIT	EM
H	56381561	1	POLISHER GEAR HOUSING AND TUBE KIT	EM
H	VF73708	1	WATERPROOF CAP	EM

Pos. B = Base system, Pos. F = Final assembly, Pos. H = Handle assembly

Commet - Class:

W = Normal Wear

OM = Ordinary Maintenance

Brush selector guide

SPINTEC 443

17-02-2015

Part List ID
SPINTEC44312

12

BRUSH SELECTOR GUIDE

Part No.	Description	Filament	Trim
11296A	Polishing	Union Mix (50% PALMYRA 50% White Tampico)	Straight
11297A	Carpet	Ø .30mm PA 66 Natural	Straight
11298A	Light-Medium Cleaning	Ø .35mm PP Grey	Straight
11299A	Medium-Heavy Cleaning	Ø .50mm PP Black	Straight
11310A	Heavy Cleaning/ Stripping	50/80/30 Silicon Carbide	Irregular

Description	P/N	56380065 56380073 Spintec 443	56380066 Spintec 443 UK	56380068 56380074 Spintec 443 H	56380069 Spintec 443 H UK	56380070 56380075 Spintec 443 DS	56380071 Spintec 443 DS UK
Polishing Brush	11296A			X	X	X	X
Carpet Brush	11297A	X	X				
Light-Medium Cleaning Brush	11298A	X	X			X	X
Medium Cleaning Brush	11299A	X	X			X	X
Heavy Cleaning/Stripping Brush	11310A	X	X			X	X
Brush-Shampoo Commercial Crpt	56383868	X	X				
Pad Driver-Low Speed-430 MM	11315A	X	X			X	X
Pad Driver-High Speed-Flex	11316A			X	X	X	X
Pad Driver-High SP-Flex-Foam	56381578			X	X	X	X
BLACK 406mm PAD 5 PK		X	X			X	X
BROWN 406mm PAD 5 PK		X	X			X	X
GREEN 406mm PAD 5 PK		X	X			X	X
BLUE 406mm PAD 5 PK		X	X			X	X
RED 406mm PAD 5 PK		X	X	X	X	X	X
WHITE 406mm PAD 5 PK		X	X	X	X	X	X

Black – Stripping – For long lasting, heavy duty stripping.

Brown – Stripping – For fast, uniform stripping, wet or dry.

Green – Scrubbing – For wet, heavy duty scrubbing.

Blue – Scrubbing – For wet, medium duty scrubbing.

Red – Buffing – For dry buffing, spray buffing or light duty scrubbing.

White – Polishing – For dry polishing or with fine water mist to ensure high gloss.

Brush selector guide

SPINTEC 443

17-02-2015

Part List ID
SPIN I EC:44312

13

Pos	Part no.	Qty	Description
1	11296A	1	POLISHING BRUSH 430MM
2	56382022	1	FM400 L SHAMPOO BRUSH
3	11298A	1	LIGHT-MEDIUM CLEANING BRUSH 430MM
4	11299A	1	MEDIUM-HEAVY CLEANING BRUSH 430MM
5	11310A	1	HEAVY CLEANING STRIPPING BRUSH 430MM
10	11315A	1	PAD DRIVER-LOW SPEED-430 MM
11	11316A	1	PAD DRIVER-HIGH SPEED-FLEX
12	56381578	1	PAD DRIVER-HIGH SP-FLEX-FOAM
20		1	PAD 16 406MM ECO BLACK 5PCS
21		1	PAD 16 406MM GREEN 5PCS
22		1	PAD 16 406MM ECO WHITE 5PCS
23		1	PAD 16 406MM ECO RED 5PCS
24		1	PAD 16 406MM BLUE 5PCS
25		1	PAD 16 406MM ECO BROWN 5PCS

Accessories

SPINTEC 443

17-02-2015

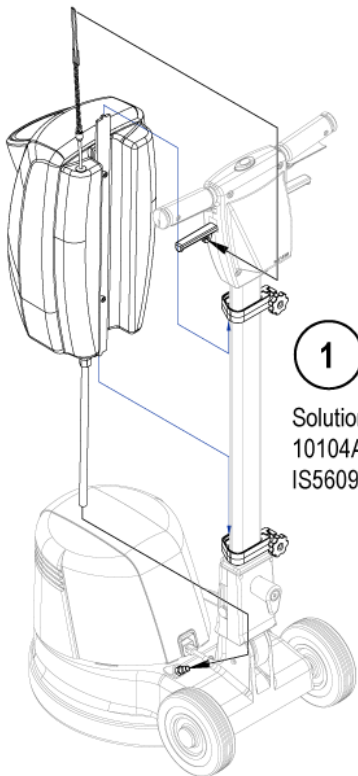
Part List ID
SPINTEC44316

14

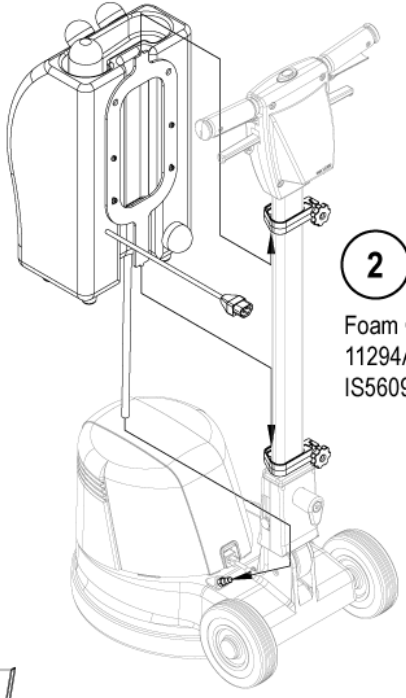
Description	P/N	56380065 Spintec 443	56380066 Spintec 443 UK	56380068 Spintec 443 H	56380069 Spintec 443 H UK	56380070 Spintec 443 DS	56380071 Spintec 443 DS UK
Literature Pack	56044439	X	X	X	X	X	X
(1) Solution Tank Kit*	10104A	X	X			X	X
(2) Foam Generator Kit*	11294A	X	X				
(3) Spray Buff Kit*	11295A	X	X	X	X	X	X
(4) Dust Collection Kit*	56381571			X	X	X	X

* = Optional, Not Included

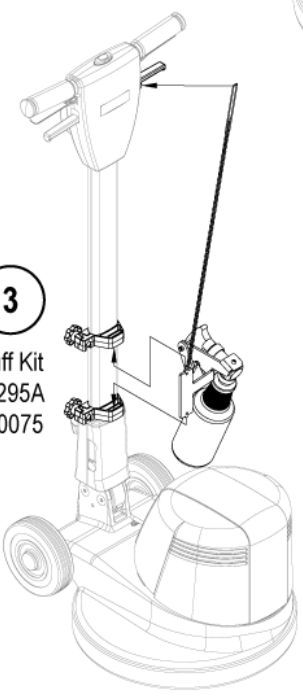
NOTE = Replacement parts for the accessory kits listed above (1-4) can be found on each kit's associated instruction sheet.



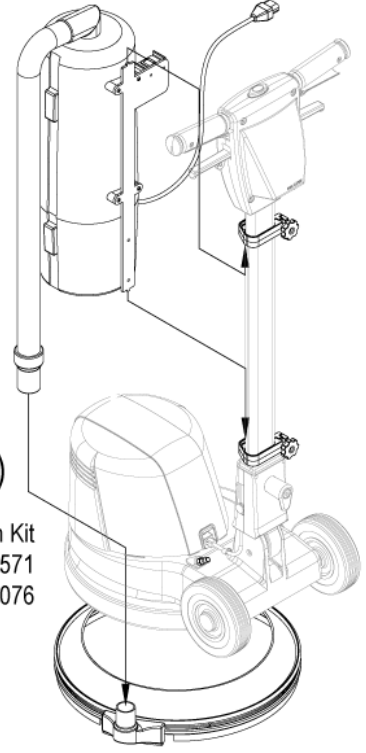
1
Solution Tank Kit
10104A
IS56090073



2
Foam Generator Kit
11294A
IS56090074



3
Spray Buff Kit
11295A
IS56090075



4
Dust Collection Kit
56381571
IS56090076

Accessories

SPINTEC 443

17-02-2015

Part List ID
SPIN I EC:44316

15

Pos	Part no.	Qty	Description
1	10104A	1	SOLUTION TANK ACC KIT
2	11294A	1	FOAM GENERATOR KIT
3	11295A	1	SPRAY BUFF KIT
4	56381571	1	DUST COLLECTION KIT

Solution tank kit 10104A

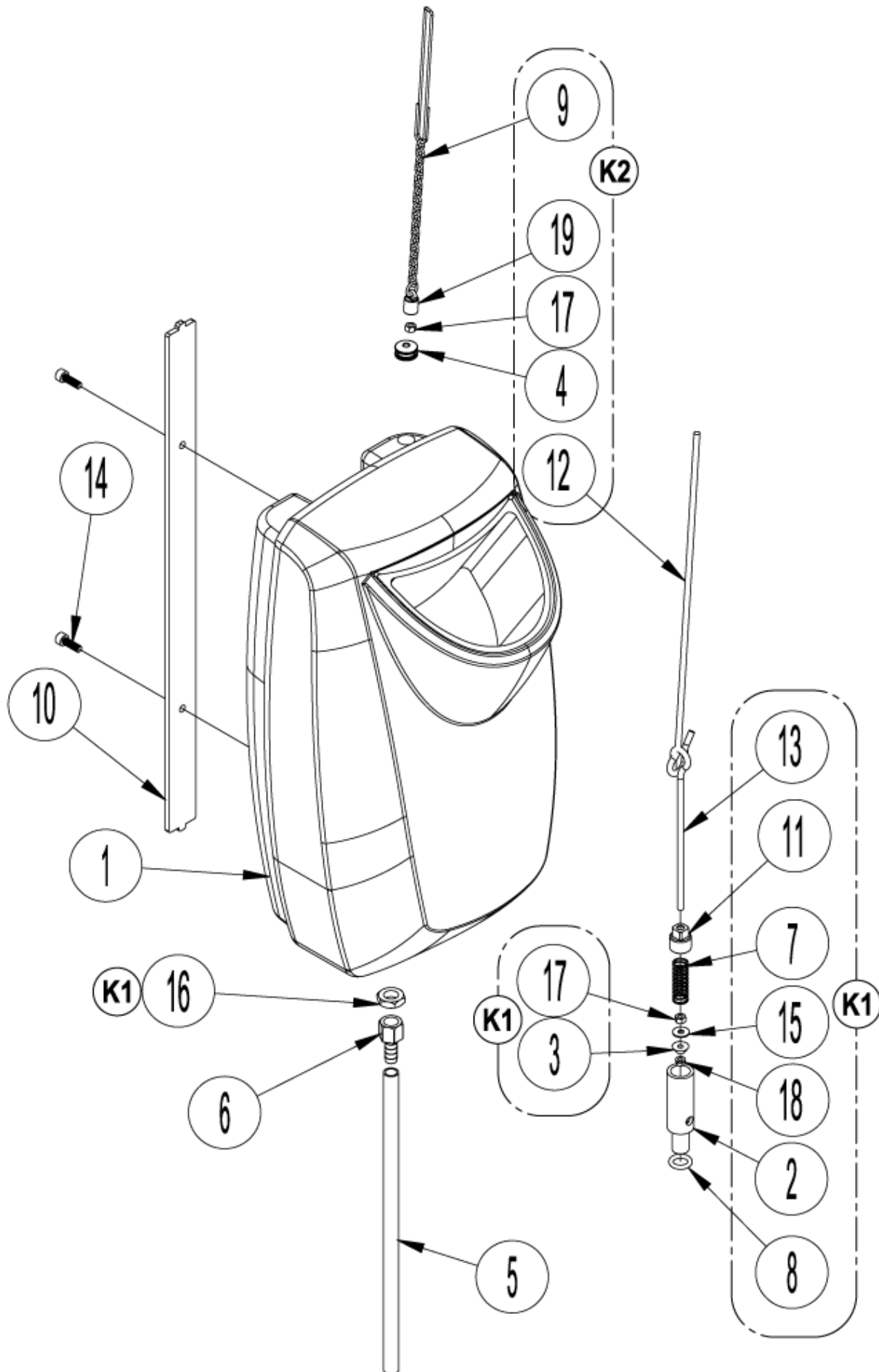
SPINTEC 443

17-02-2015

Part List ID

56090073

16



Solution tank kit 10104A

SPINTEC 443

17-02-2015

Part List ID
56090073

17

Pos	Part no.	Qty	Description
0	10104A	1	SOLUTION TANK ACC KIT
1	30249A	1	TANK SOLUTION
2		1	NOTE COMMENT BODY VALVE PLASTIC
3	VF40134	1	SEAL RUBBER
4		1	NOTE COMMENT SEAL
5	30869A	1	TUBING VINYL
7		1	NOTE COMMENT SPRING COMPRESSION S.S.
8		1	NOTE COMMENT O-RING
9		1	NOTE COMMENT CHAIN ASM
10	60023A	1	BRACKET MOUNTING SOLUTION TANK
11		1	NOTE COMMENT BONNET M18X1.5 NYLON
12		1	NOTE COMMENT ROD UPPER PULLING BRASS
13		1	NOTE COMMENT ROD LOWER PULLING BRASS
14	VF13498	2	SCREW M6X20
15		1	NOTE COMMENT WASHER, PLAIN 5MM BRASS
16		1	NOTE COMMENT NUT HEX M14X1.5 BRASS
17		2	NOTE COMMENT NUT HEX M5X0.8 BRASS
18		1	NOTE COMMENT NUT HEX FLANGED M5X0.8 BRASS
19		1	NOTE COMMENT NUT EYE M5
K1	11278A	1	SOLUTION VALVE ASSEMBLY
K2	11277A	1	SOLUTION TANK UPPER HARDWARE KIT

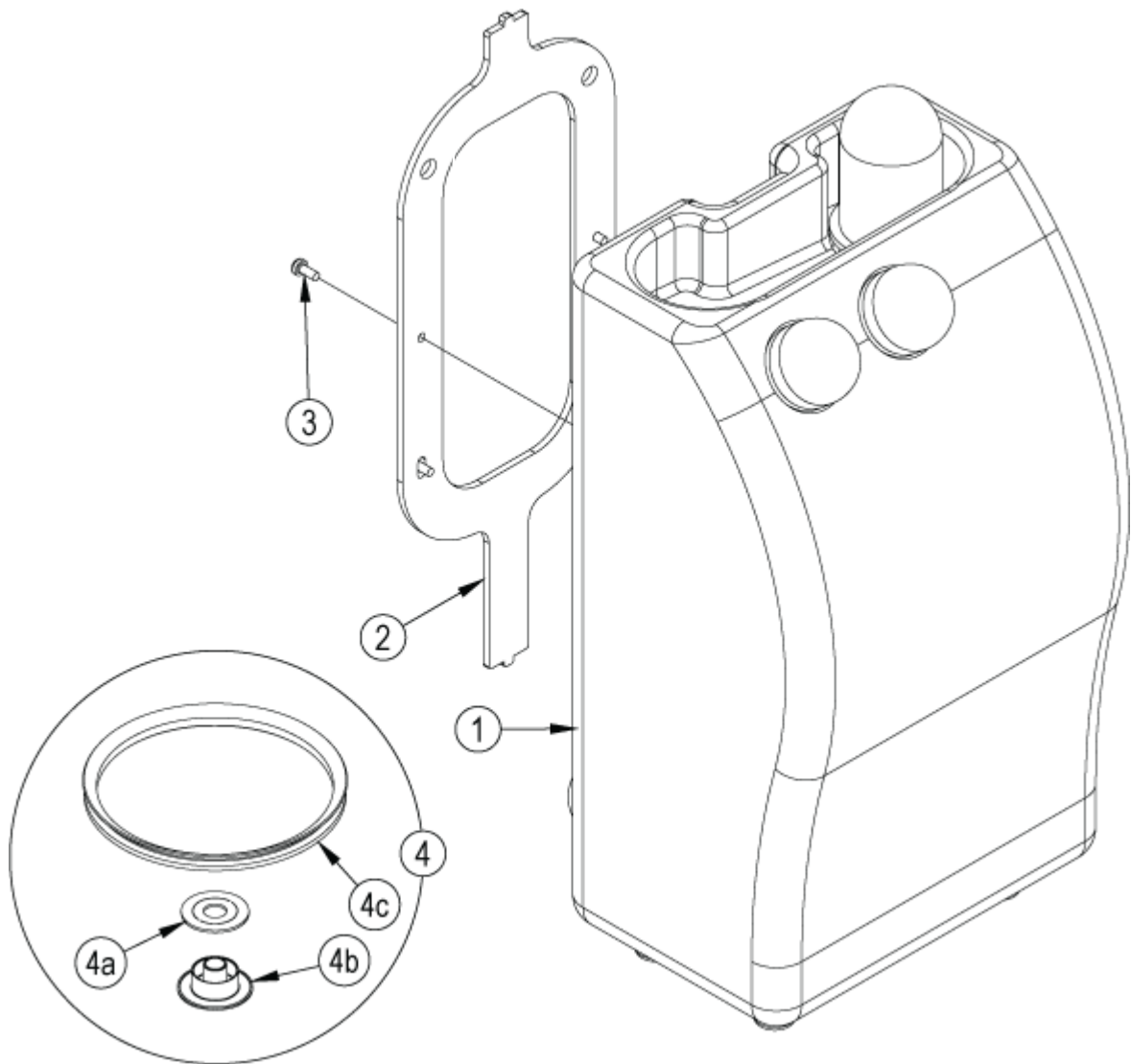
Foam generator kit 11294A

SPINTEC 443

17-02-2015

Part List ID
56090074

18



Foam generator kit 11294A

SPINTEC 443

17-02-2015

Part List ID
56090074

19

Pos	Part no.	Qty	Description	
0	11294A	1	FOAM GENERATOR KIT	
1		1	NOTE COMMENT	Foam Generator
2	60459A	1	BRACKET FOAM GENERATOR MOUNTING	
3		1	NOTE COMMENT	Scr M5- .8 X 16 Fil Cross Rec
4	56382020	1	FM400 L SEAL KIT FOR CARPET APPLICATION	
SP	VF14227	1	O-RING	SERVICE PARTS
SP	VF46404	1	KIT TANK KNOB INTAKE	SERVICE PARTS
SP	VF46422-6	1	MICRO SWITCH	SERVICE PARTS
SP	VF46422-8	1	VALVE BODY	SERVICE PARTS
SP	VF46435	1	FILTER OUTLET TANK	SERVICE PARTS
SP	VF46454	1	FILTER INTAKE TANK	SERVICE PARTS
SP	VF46468	1	FAN	SERVICE PARTS
SP	YQ11000	1	PUMP	SERVICE PARTS

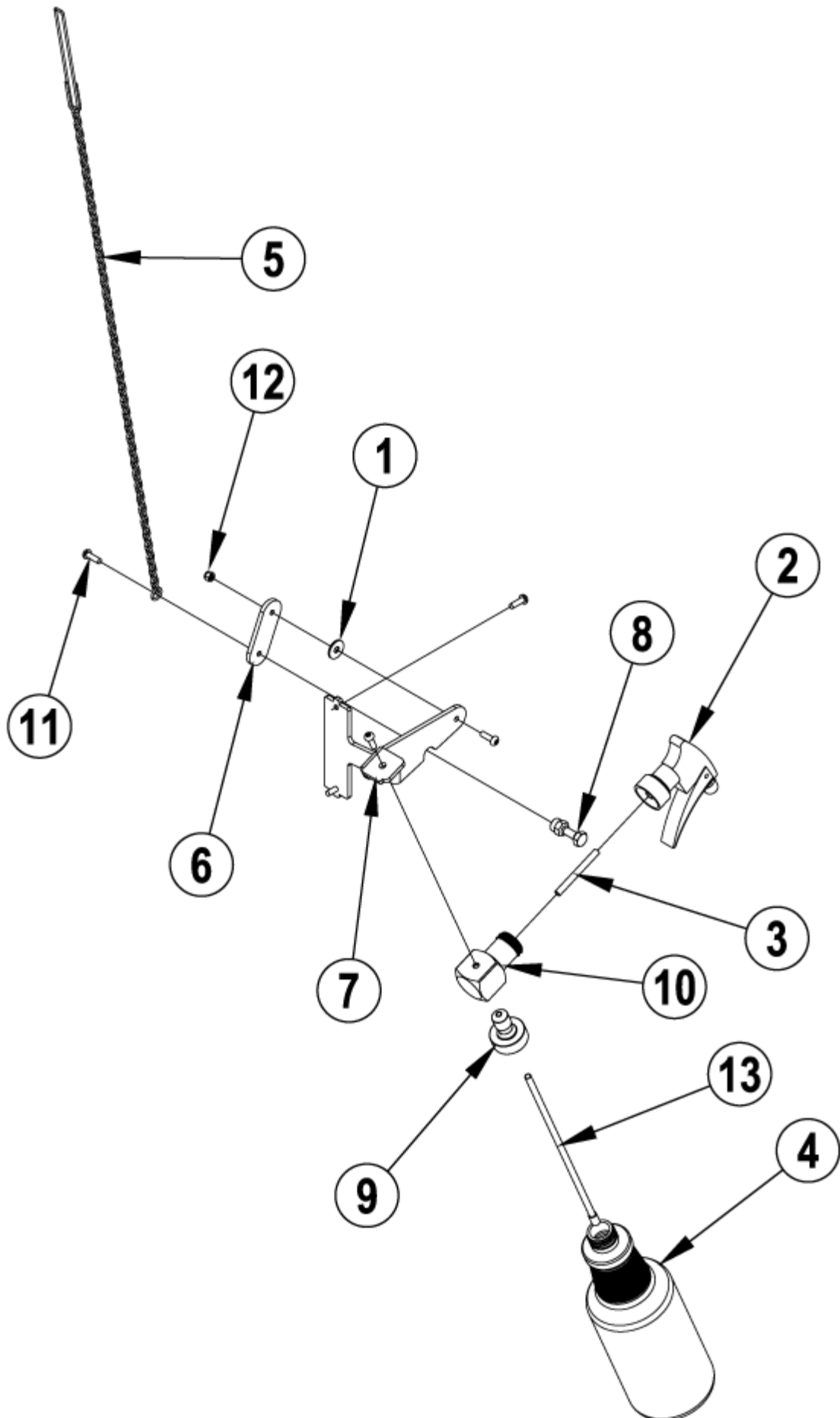
Spray buff kit 11295A

SPINTEC 443

17-02-2015

Part List ID
56090075

20



Spray buff kit 11295A

SPINTEC 443

17-02-2015

Part List ID
56090075

21

Pos	Part no.	Qty	Description
0	11295A	1	SPRAY BUFF KIT
1		1	NOTE COMMENT Washerfl t.750x.250x.062Nylon
2		1	NOTE COMMENT Spray Buff Pump
3		1	NOTE COMMENT Tube
4		1	NOTE COMMENT Bottle Plastic Quart Carafe
5		1	NOTE COMMENT Chain Asm
6		1	NOTE COMMENT Link Spray Buff
7		1	NOTE COMMENT Bracket Spray Buff
8		1	NOTE COMMENT Actuator
9		1	NOTE COMMENT Mount
10		1	NOTE COMMENT Adaptor
11		5	SCREW M5 X 16
12		1	NOTE COMMENT Nut M5 Ss Nylon Insert
13		1	NOTE COMMENT Tube Dip
K1	56382005	1	SPRAY BUFF REPAIR KIT Includes pos. 2,3,4,5,8,11,13

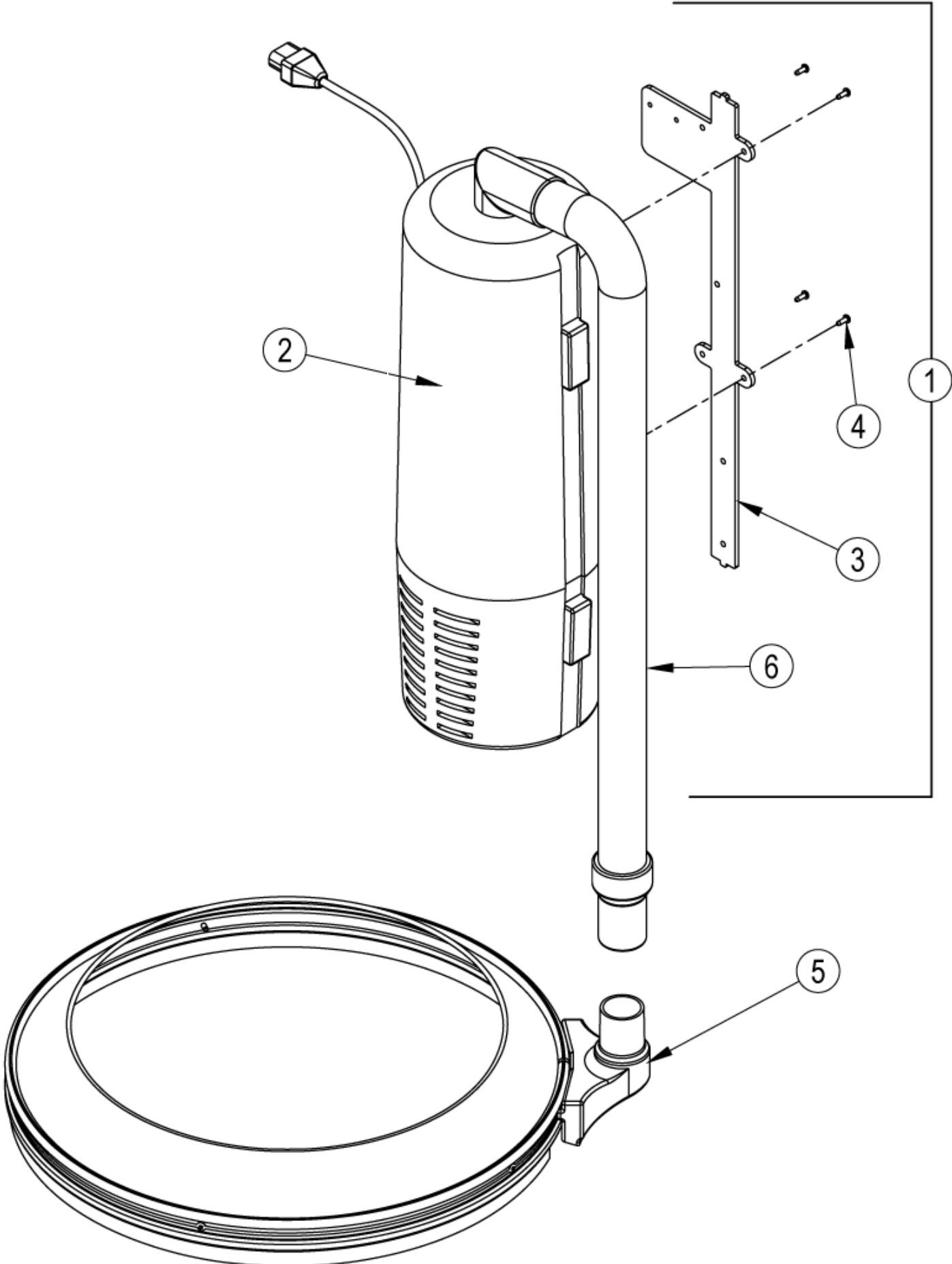
Dust collection kit 56381571

SPINTEC 443

17-02-2015

Part List ID
56090076

22



Dust collection kit 56381571

SPINTEC 443

17-02-2015

Part List ID
56090076

23

Pos	Part no.	Qty	Description
0	56381571	1	DUST COLLECTION KIT
1		1	NOTE COMMENT Dust Control Assy NOTE 1
2		1	NOTE COMMENT Vacuum Assembly
3		1	NOTE COMMENT Bracket
4		4	NOTE COMMENT Screw M4-1.79 x 20mm
5	10394A	1	DUST SKIRT ASM
6	147 1237 500	1	HOSE CPL.L1250
NI	147 1098 500	1	DUST BAG KIT 5L 5-PCS

NOTE 1: Refer to the GD 5, GD 10, GD 5 Battery parts list for Dust Control Assy replacement parts.