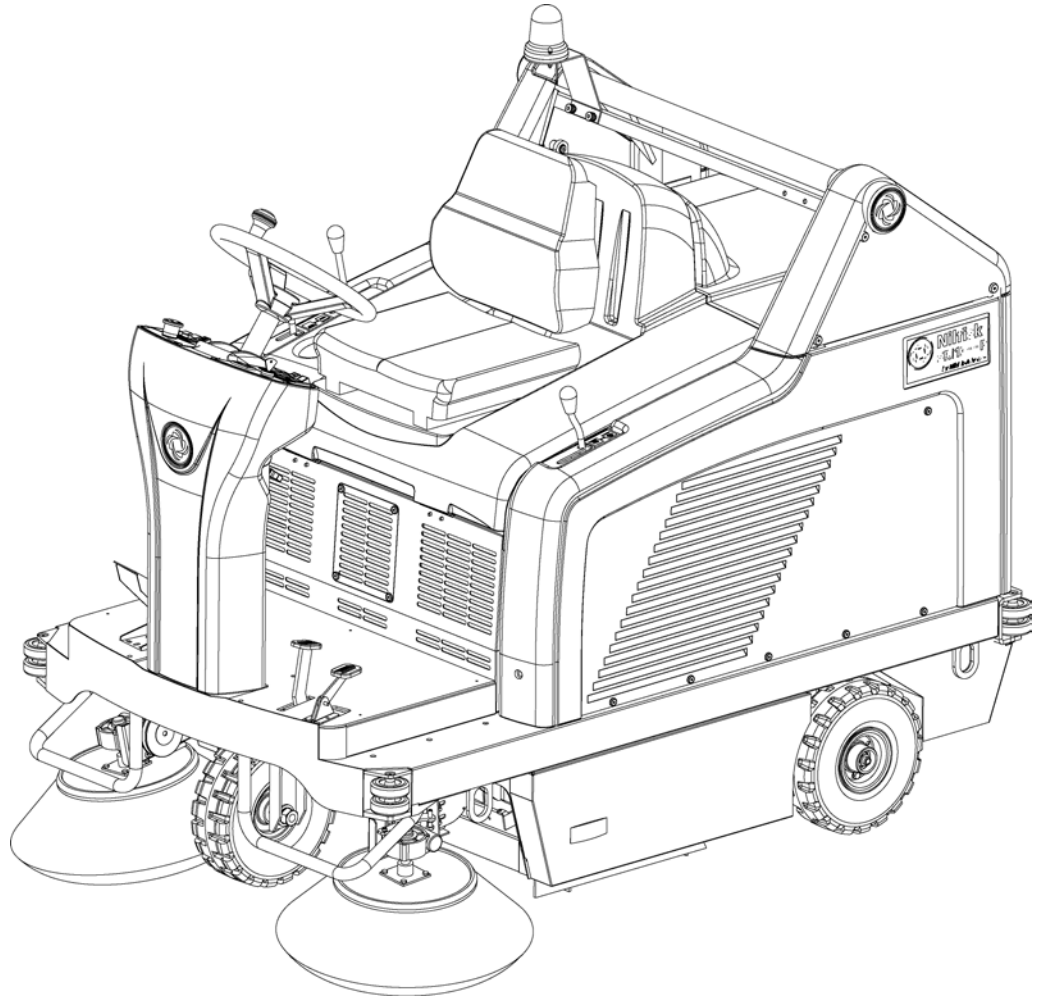


SR 1300H B



CATALOGO RICAMBI
PARTS LIST
ERSATZTEILLISTE
LISTE DE PIECES DETACHEES



Nilfisk
Advance

setting standards

146 1061 000(2)2007-06



2003-04	TABLE OF CONTENTS	BOOK F		
2007-06	SR 1300H B	F	6.3.1	1



I	GB	D	F	Pagina Page Seite -Page
VISTA GENERALE	GENERAL VIEW	ALGEMEINE SICHT	VUE GENERAL	2 - 3
GRUPPO ROTOFORMATO	ROTOMOLDED ASSEMBLY	POLYETHILENE ROTIERTE TEILEN	ROTOMOULAGE SYSTEME	4 - 5
GRUPPO TELAIO	CHASSIS ASSEMBLY	CHASSIS SATZ	CHASSIS COMPLETE	6 - 7
GRUPPO SPORTELLI LATERALI	SIDE HATCHS ASSEMBLY	SEITEN TUEREN SATZ	PORTES LATERALES	8 - 9
GRUPPO TRAZIONE	DRIVE ASSEMBLY	ANTRIEB SATZ	GROUPE TRACTION	10 - 11
GRUPPO STERZO	STEERING ASSEMBLY	LENKUNG SATZ	COLONNE DE DIRECTION	12 - 13
GRUPPO PEDALI DI COMANDO	CONTROL PEDALS ASSEMBLY	PEDALS SATZ	PEDALES COMPLETE	14 - 15
GRUPPO CASSONE	WASTE CONTAINER ASSEMBLY	SCHMUTZBEHAELTER SATZ	BAC A DECHET	16 - 17
GRUPPO FILTRO	FILTER ASSEMBLY	FILTRIERANLAGE	SYSTEME FILTRE ET SECOUAGE	18 - 19
GRUPPO SPAZZOLA CENTRALE	MAIN BROOM ASSEMBLY	HAUPTKEHRWALZE SATZ	GROUPE BALAI CENTRALE	20 - 21
GRUPPO SPAZZOLA CENTRALE	MAIN BROOM ASSEMBLY	HAUPTKEHRWALZE SATZ	GROUPE BALAI CENTRALE	22 - 23
GRUPPO SPAZZOLA LAT. DX	RIGHT SIDE BROOM ASSEMBLY	RECHTE SEITEN BESEN SATZ	GROUPE BROSSE LAT.DROITE	24 - 25
GRUPPO SPAZZOLA LAT. SX	LEFT SIDE BROOM ASSEMBLY	LINKE SEITEN BESEN SATZ	GROUPE BROSSE LAT.GAUCHE	26 - 27
GRUPPO MOTORIZZAZIONE EL.	EL.MOTOR ASSEMBLY	MOTOR SATZ	GROUPE MOTEUR COMPLETE	28 - 29
PLANCIA DX	RIGHT CONTROL PANEL ASS.	RECHTE SCHALTAFEL SATZ	TABLEAU DE BORD DROITE	30 - 31
PLANCIA SX	LEFT CONTROL PANEL ASSEMBLY	LINKE SCHALTAFEL SATZ	TABLEAU DE BORD GAUCHE	32 - 33
CASSETTA ELETTRICA	ELECTRICAL COMPONENTS BOX	EL.KOMPONENTEN KASTEN	BOITIER ELECTRIQUE	34 - 35
COMPONENTI ELETTRICHE	ELECTRICAL COMPONENTS	ELEKTRISCHE KOMPONENTEN	COMPOSANT ELECTRIQUE	36 - 37
SISTEMA IDRAULICO	HYDRAULIC SYSTEM	HYDRAULISCHE SYSTEM	VERRIN HYDRAULIQUE	38 - 39
ACCESSORI	ACCESSORIES	ZUBEHOERE	OPTIONALS	40 - 43
SCHEMA ELETTRICO	ELECTRIC DIAGRAM	ELEKTRISCH SCHEMA	DIAGRAMME ELECTRIQUE	44
SCHEMA IDRAULICO	HYDRAULIC DIAGRAM	HIDRAULISCH SCHEMA	DIAGRAMME HYDRAULIC	45
RICAMBI CONSIGLIATI	RECOMMENDED SPARE PARTS	EMPFOHLENE ERSATZTEILE	PIECES DE RECHANGE RECOM.	46 - 47

WHEN ORDERING PARTS

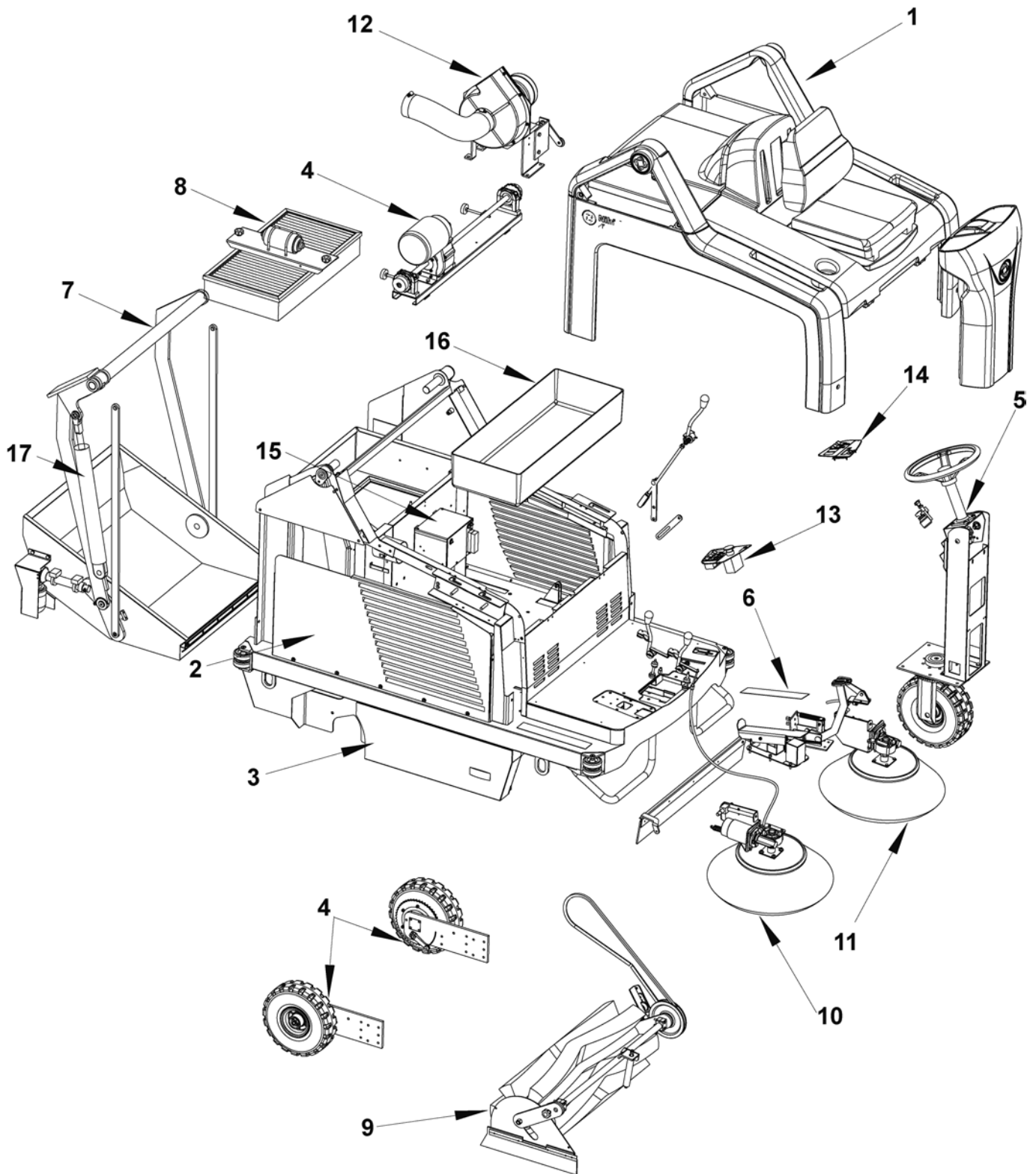
- * Use the 8, 9 or 10 digit numbers from the "Ref. No." columns in this parts list.
- * Specify the model and serial number of the machine.
- * Use the space below to record the model and serial number for future reference.

Model _____ Serial No. _____

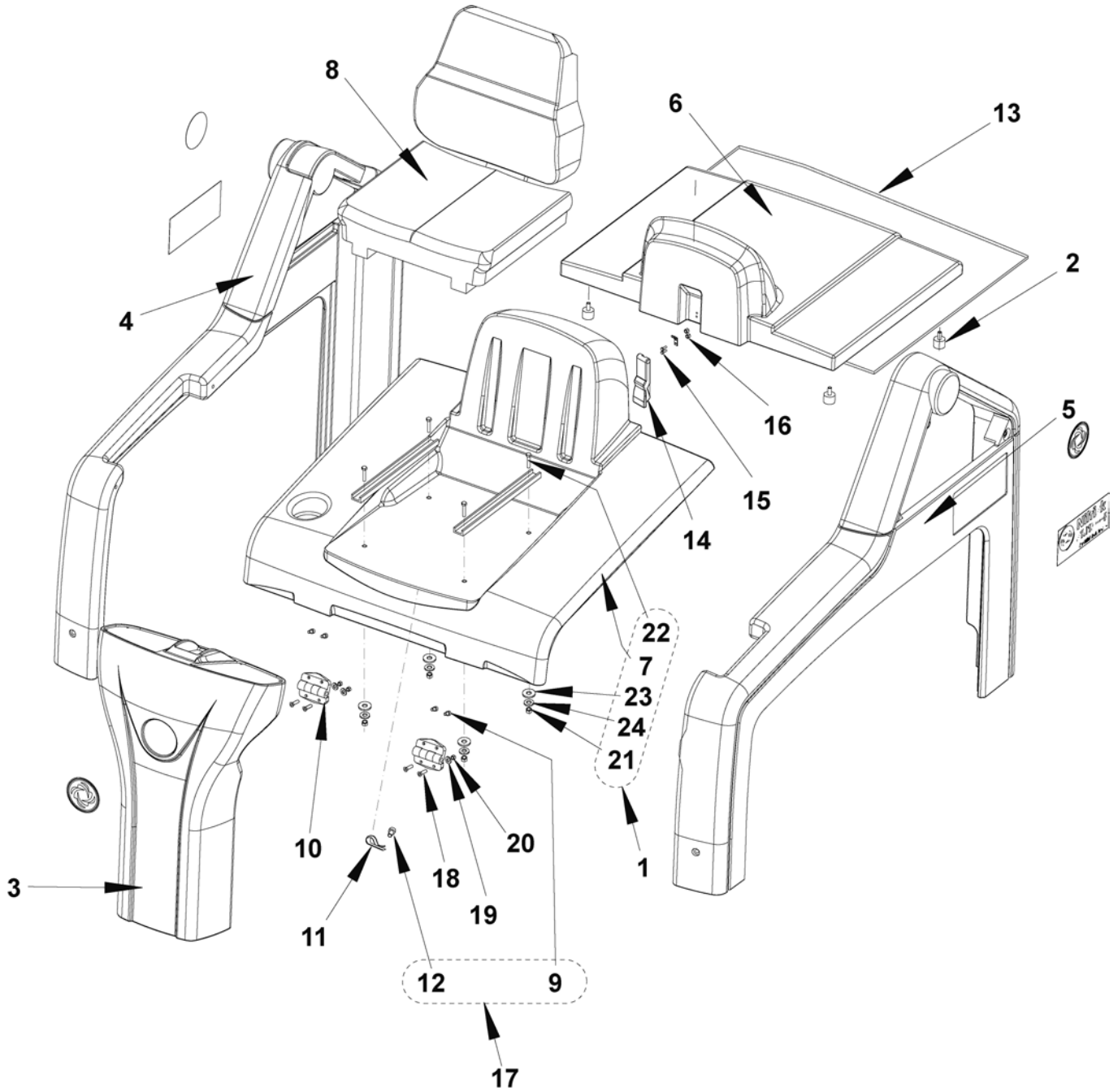
*** = Optional**

= Modified item No. or New item No.

0 = Not shown

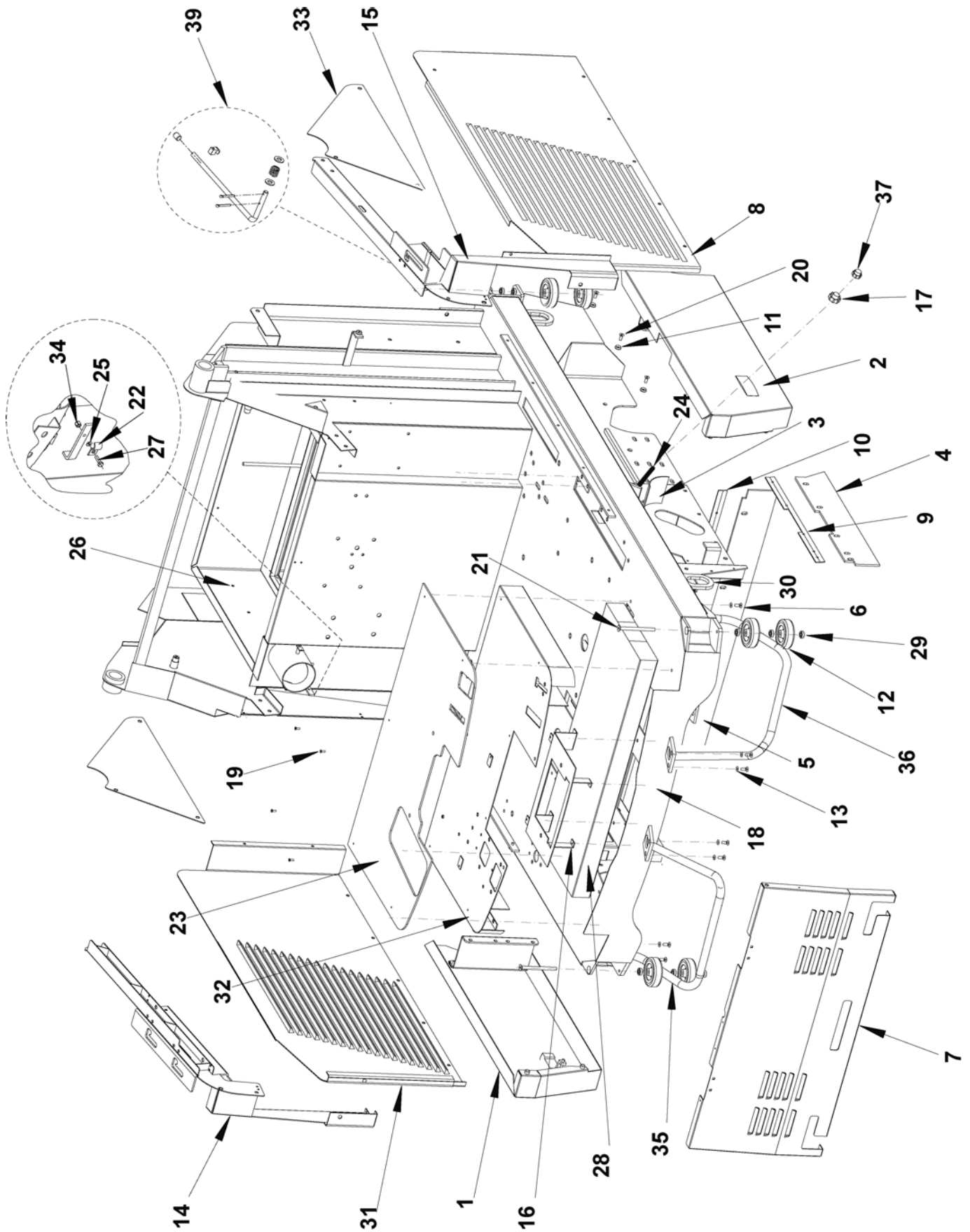


Pos Item Bild Rép	Descrizione	Description	Beschreibung	Désignation
1	GRUPPO ROTOFORMATO	ROTOMOLDED ASSEMBLY	POLYETHYLENE ROTIERTE TEILE	ROTOMOULAGE SYSTEME
2	GRUPPO TELAIO	CHASSIS ASSEMBLY	CHASSIS SATZ	CHASSIS COMPLETE
3	GRUPPO SPORTELLI LATERALI	SIDE HATCHS ASSEMBLY	SEITEN TUEREN SATZ	PORTES LATERALES
4	GRUPPO TRAZIONE	DRIVE ASSEMBLY	ANTRIEB SATZ	GROUPE TRACTION
5	GRUPPO STERZO	STEERING ASSEMBLY	LENKUNG SATZ	COLONNE DE DIRECTION
6	GRUPPO PEDALI DI COMANDO	CONTROL PEDALS ASSEMBLY	PEDALS SATZ	PEDALES COMPLETE
7	GRUPPO CASSONE	WASTE CONTAINER ASSEMBLY	SCHMUTZBEHAELTER SATZ	BAC A DECHETS
8	GRUPPO FILTRO	FILTER ASSEMBLY	FILTRIERANLAGE	SYSTEME FILTRE ET SECOUAGE
9	GRUPPO SPAZ. CENTRALE	MAIN BROOM ASSEMBLY	HAUPTKEHRWALZE SATZ	GROUPE BALAI CENTRAL
10	GRUPPO SPAZ. LAT. DX	RIGHT SIDE BROOM ASSEMBLY	RECHTE SEITEN BESEN SATZ	GROUPE BROOSSE LAT. DROITE
11	GRUPPO SPAZ. LAT. SX	LEFT SIDE BROOM ASSEMBLY	LINKE SEITEN BESEN SATZ	GROUPE BROUSSE LAT. GAUCHE
12	GRUPPO MOTORIZ. ELETTOR.	EL. MOTOR ASSEMBLY	MOTOR SATZ	GROUPE MOTEUR COMPLETE
13	PLANCIA DX	RIGHT CONTR.PANEL ASSEMBLY	RECHTE SCHALTAFEL SATZ	TABEAU DE BORD DROIT
14	PLANCIA SX	LEFT CONTR.PANEL ASSEMBLY	LINKE SCHALTAFEL SATZ	TABEAU DE BORD GAUCHE
15	CASSETTA COMPONENTI ELETTRICHE	ELECTRICAL COMPONENTS BOX	EL.KOMPONENTEN SCHACHTEL	BOITIER ELECTRIQUE
16	COMPONENTI ELETTRICHE	ELECTRICAL COMPONENTS	ELEKTRISCHE KOMPONENTEN	COMPOSENT ELECTRIQUE
17	SISTEMA IDRAULICO	HYDRAULIC SYSTEM	HYDRAULISCHE SYSTEM	VERRIN HYDRAULIQUE



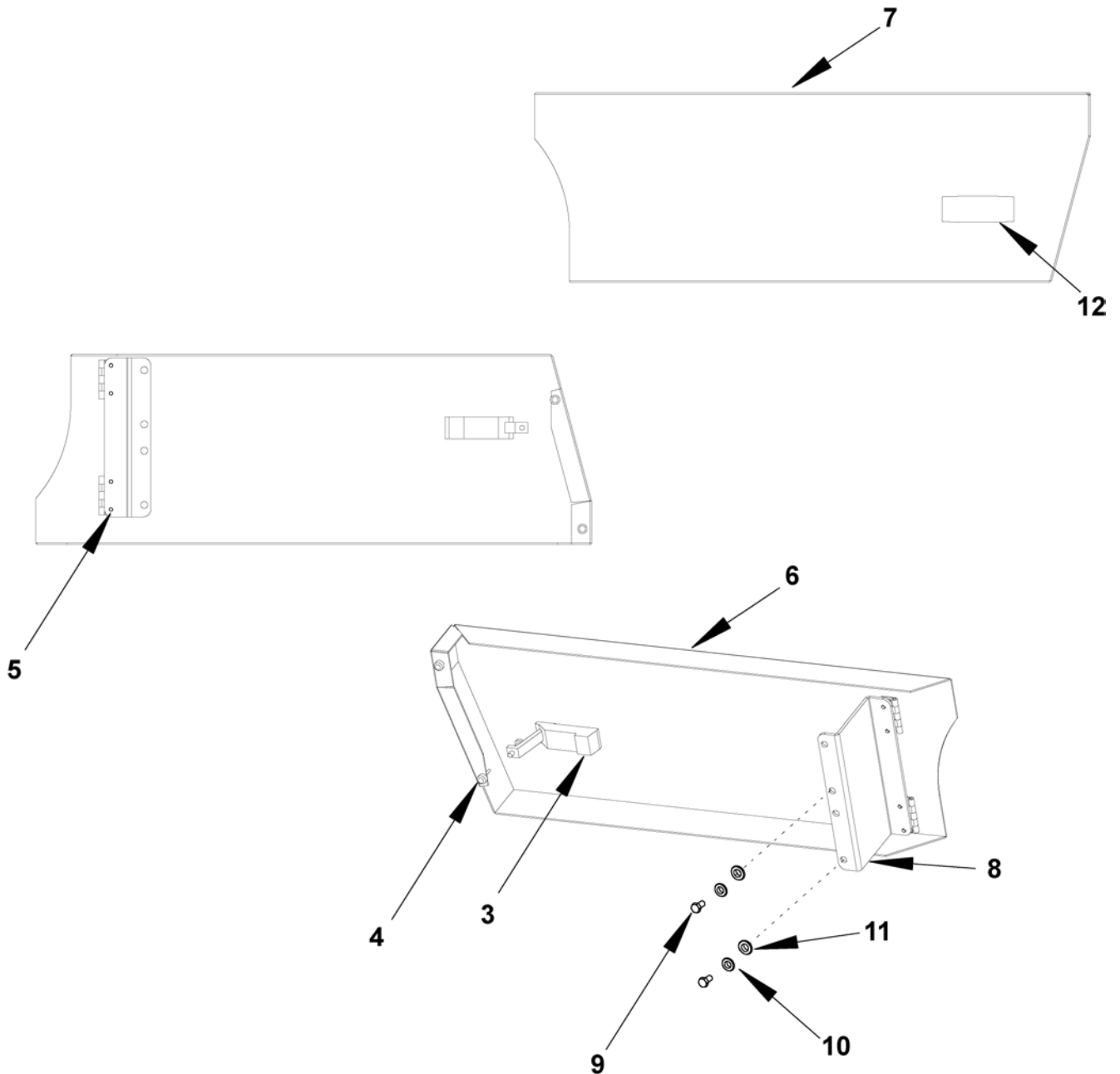
2003-04	GRUPPO ROTOFORMATO / ROTOMOLDED ASSEMBLY	BOOK F		
2007-06	SR 1300H B	F	6.3.1	5

Pos Item Bild Rép	Codice Ref. No. Art. Nr. Réf. No	Q.tà Qty Menge Qté	Descrizione	Description	Beschreibung	Désignation
0#	146 1179 000	1	KIT ADESIVI SR 1300H B	DECALS KIT SR 1300H B	ZUSTATZ SCHILD SR1300H	KIT ADHESIF SR 1300H B
1#	146 2863 000	1	KIT COFANO (7,21,22,23,24)	BONNET KIT (7,21,22,23,24)	ZUSATZ HAUBE (7,21,22,23,24)	KIT CAPOTAGE (7,21,22,23,24)
0#	146 2864 000	1	ISTRUZIONI KIT COFANO	BONNET KIT INSTRUCTION	ANGABEN ZUSATZ HAUBE	INSTRUCTION KIT CAPOTAGE
2	146 0495 000	4	ANTIVIBRANTE	VIBRATION DAMPING	SCHWINGGUNGSDAEMPFER	SILENT BLOC
3	146 0919 000	1	CARENATURA ANTERIORE	COVER FRONT	VERKLEIDUNG VORNE	BATI AVANT
4	146 0917 000	1	CARENATURA LATERALE DX	RIGHT SIDE COVER	RECHTE VERKLEIDUNG	BATI DROITE
5	146 0918 000	1	CARENATURA LATERALE SX	LEFT SIDE COVER	LINKE VERKLEIDUNG	BATI GAUCHE
6	146 0916 000	1	COFANO POSTERIORE COMPL.DI GUARNIZIONE	REAR BONNET COMPLETE WITH GASKET	HAUBE HINTEN KOMPLET MIT DICHTUNG	CAPOTAGE ARRIERE AVEC JOINT
7#	xxxxxxxxxx	1	COFANO PORTA SEDILE	SEAT HOLDER BONNET	HAUBE SITZHALTER	CAPOTAGE SIEGE SUPPORT
8	145 5975 000	1	SEDILE CON MICROINT.	SEAT W/MICROSWITCH	SITZ MIT MIKROSCHALTER	SIEGE AVEC MICROINTERRUP.
9#	xxxxxxxxxx	8	VITE CIL. M6X12	SCREW M6X12	SCHRAUBE	VIS
10	146 0928 000	2	CERNIERA COFANO	BONNET HINGE	SCHARNIERE	CHARNIERE
11	08239900	1	FASCETTA CABL.SEDILE	CLAMP	PASSRING	COLLIER
12	xxxxxxxxxx	1	VITE AUTOFILETTANTE	SCREW THD FORM	SCHRAUBE	VIS
13	146 1147 000	1	GUARNIZIONE	GASKET	DICHTUNG	JOINT
14	146 1263 000	3	CHIUSURA	CLOSURE	VERSCHLUSS	FERMETURE
15	33005602	6	DADO AUTOBLOCCANTE	NUT SELF LOCKING	MUTTER	ECROU
16	145 9291 000	6	VITE ES. M4	SCREW HEX HD M4	SCHRAUBE	VIS
17	146 1184 000	1	KIT VITERIA GRUPPO ROTOFORMATO (9,12)	ROTOMOLDED ASSEMBLY HARDWARE KIT (9,12)	ZUSATZ SCHRAUBEN POLYET. ROTIERTE TEILEN (9,12)	KIT VIS SYSTEME ROTOMOULAGE (9,12)
18#	146 0639 000	8	VITE TTLQS M5X20	SCREW CARRIAGE	SCHRAUBE	VIS
19#	145 1261 000	8	ROND. PIANA XL 5,5X15X1.6	WASHER LARGE	BEILAGSCHEIBE	RONDELLE
20#	33005603	8	DADO E. B. AUTOBL. M5	NUT SELF LOCKING M5	MUTTER	ECROU
21#	xxxxxxxxxx	4	DADO E. M8	NUT M8	MUTTER	ECROU
22#	xxxxxxxxxx	4	VITE TE M8X40	SCREW HEX THD	SCHRAUBE	VIS
23#	xxxxxxxxxx	4	ROND. PIANA XL 9X32X2.5	WASHER LARGE	BEILAGSCHEIBE	RONDELLE
24#	xxxxxxxxxx	4	ROND. EL. SPACC. 8.4X14	WASHER	BEILAGSCHEIBE	RONDELLE



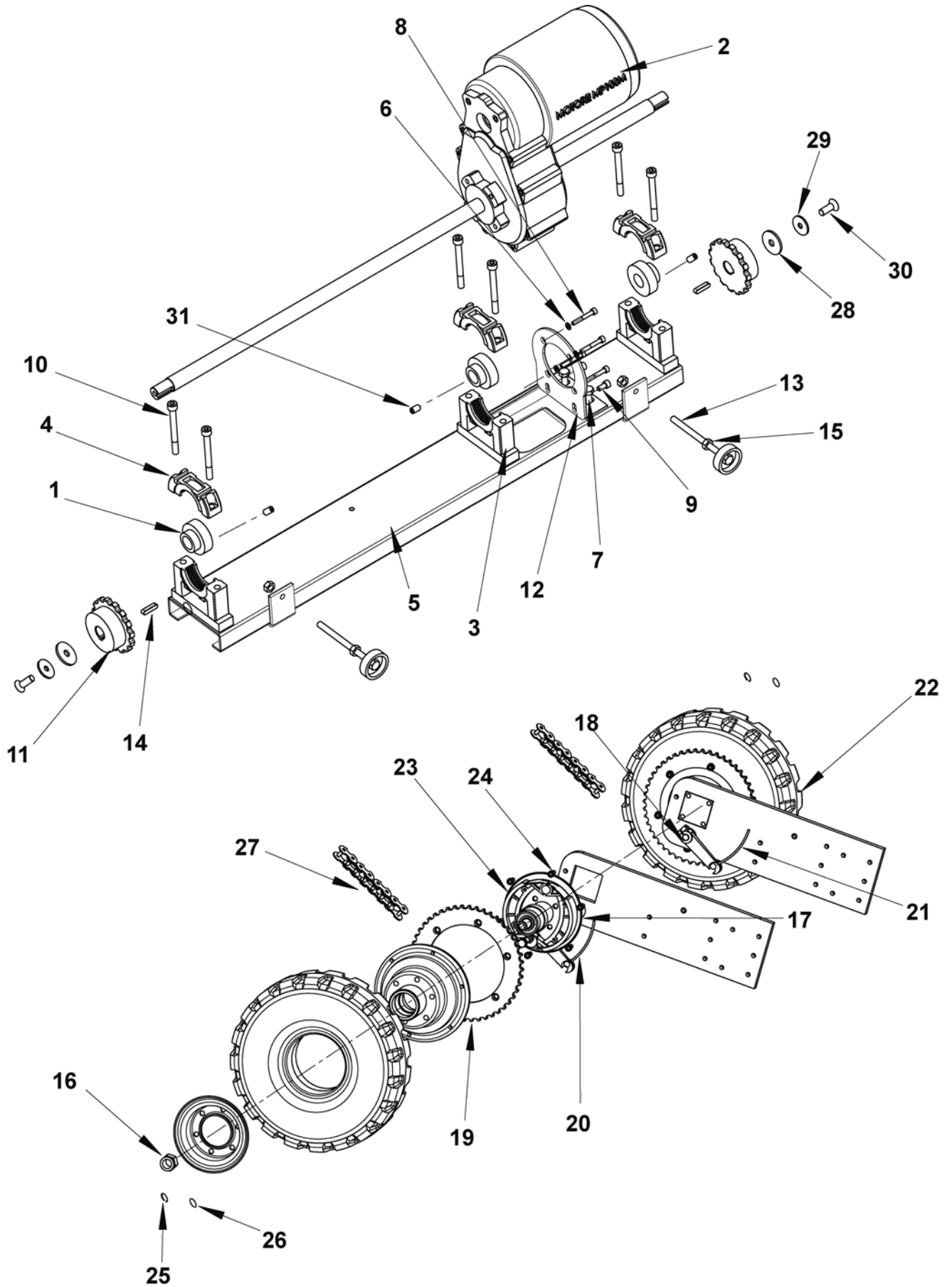
2003-04	GRUPPO TELAIO / CHASSIS ASSEMBLY	BOOK F		
2007-06	SR 1300H B	F	6.3.1	7

Pos Item Bild Rép	Codice Ref. No. Art. Nr. Réf. No	Q.tà Qty Menge Qté	Descrizione	Description	Beschreibung	Désignation
1	146 1180 000	1	KIT SPORTELLLO LAT DX	RIGHT SIDE HATCH KIT	ZUSATZ SEITEN TUERE RECHTS	KIT TRAPPE DROITE
2	146 1181 000	1	KIT SPORTELLLO LAT SX	LEFT SIDE HATCH KIT	ZUSATZ SEITEN TUERE LINKS	KIT TRAPPE GUACHE
3	146 1055 000	1	PROTEZIONE PULEGGIA	PROTECTION	SCHUTZ	PROTECTION
4	145 5927 000	1	FLAP LATERALE	SIDE FLAP	SEITEN GUMMILIPPE	BAVETTE LATERAL
4*	146 1150 000	1	FLAP LAT. ANTITRACCIA	NON MARKING SIDE FLAP	SPURLOSE GUMMILIP. SEIT.	BAV LATER.NON MARQUANTE
5	145 4654 000	1	FLAP POSTERIORE	REAR FLAP	GUMMILIPPE HINTEN	BAVETTE ARRIERE
5*	146 1151 000	1	FLAP POST. ANTERIORE	NON MARKING REAR FLAP	SPURLOSE GUMMILIP.HINT.	BAV AR. NON MARQUANTE
6#	33004364	8	VITI FISSAGGIO PROT. SPAZ.	SCREW BRUSH PROT.FIX.	SCHRAUBE	VIS
7	146 0943 000	1	PARATIA ANTERIORE	PANEL FRONT	PANEL VORNE	PANNEAU AVANT
8	146 0942 000	1	PARATIA LATERALE SX	PANEL LEFT SIDE	PANEL LINKS	PANNEAU GUACHE
9	145 5929 000	1	PIATTINA FLAP LATERALE	PLATE	BAND	PLAQUE
10	145 4657 000	1	PIATTINA FLAP POSTERIORE	PLATE	BAND	PLAQUE
11	xxxxxxxxxx	11	RONDELLA CURVA	WASHER	BEILAGSCHEIBE	RONDELLE
12	146 0945 000	8	RULLO PARACOLPI	BUMPER ROLLER	ABWEISROLLE	DEFLECTEUR
13#	33005842	8	RONDELLA	WASHER	BEILAGSCHEIBE	RONDELLE
14	146 0947 000	1	SUPPORTO LEVE DX	SUPPORT LEVER RIGHT	HALTER	SUPPORT
15	146 0948 000	1	SUPPORTO LEVE SX	SUPPORT LEVER LEFT	HALTER	SUPPORT
16	146 0946 000	1	SUPPORTO PEDANA	SUPPORT FOOT BOARD	HALTER	SUPPORT
17	146 1037 000	1	VOLANTINO M10	KNOB	HANDRAD	MOLETTE
18	146 0836 000	1	TELAIO	CHASSIS	CHASSIS	CHASSIS
19	xxxxxxxxxx	4	VITE TSPEI M4X12	SCREW M4X12	SCHRAUBE	VIS
20#	xxxxxxxxxx	11	VITE M6X16	SCREW	SCHRAUBE	VIS
21	xxxxxxxxxx	4	VITE M8X100	SCREW	SCHRAUBE	VIS
22#	08812352	1	CAVALLOTTO FERMACAVO	CLAMP	VERBINDUNGSBRUECKE	ETRIER
23	146 0952 000	1	PEDANA	FOOT BOARD	FUSSBRETT	PLANCHER
24	146 1035 000	1	BARRA FILETTATA	BAR	STANGE	BARRE
25#	08040400	1	RONDELLA PIANA	WASHER	BEILAGSCHEIBE	RONDELLE
26	146 0958 000	2	BARRA GUIDALEVE	GUIDE BAR	STANGE	BARRE
27#	33003962	1	VITE TE M15X16	SCREW	SCHRAUBE	VIS
28	146 1123 000	1	CONTRAPPESO	WEIGHT	GEWICHT	CONTREPOIDS
29	xxxxxxxxxx	12	DISTANZIALE RULLO PARACOLPI	SPACER	ABSTANDSTUECK	ENTRETOISE
30#	146 2708 000	1	FERMAGUAINA	SHEATH STOP	HULE HALTER	BLOQUE GAINÉ
31	146 0955 000	1	PARATIA LATERALE DX	PANEL RIGHT SIDE	PANEL RECHT	PANNEAU
32	146 0956 000	1	PEDANA PEDALIERA	CONTROL PEDAL BOARD	FUSSHEBEL KONTR.BRETT	PLANCHER CONTR.DU PEDALES
33	146 0954 000	2	PROTEZIONE LAT. SUPERIORE	PROTECTION	SCHUTZ	PROTECTION
34#	145 9287 000	1	DADO E. AUTOBL. M5	NUT HEX SELF LOCK M5	MUTTER	ECROU
35	146 0944 000	1	PROTEZIONE SPAZ. LAT DX	PROTECTION RIGHT SIDE BR.	SCHUTZ	PROTECTION
36	146 1140 000	1	PROTEZIONE SPAZ. LAT SX	PROTECTION LEFT SIDE BR.	SCHUTZ	PROTECTION
37	146 1036 000	1	VOLANTINO M10	KNOB	HANDRAD	MOLETTE
38	146 1185 000	1	KIT VITERIA GRUPPO TELAIO (11,19,20,21,29)	CHASSIS SYSTEM HARDWARE KIT (11,19,20,21,29)	ZUSATZ SCHRAUBEN CHASSIS SATZ (11,19,20,21,29)	KIT VIS CHASSIS SYSTEME (11,19,20,21,29)
39#	146 2066 000	1	KIT ASTA SOSTEGNO COFANO	BONNET HOLDER BRACKET KIT	ZUSATZ HAUBE HALTER	KIT SUPPORT CAPOTAGE



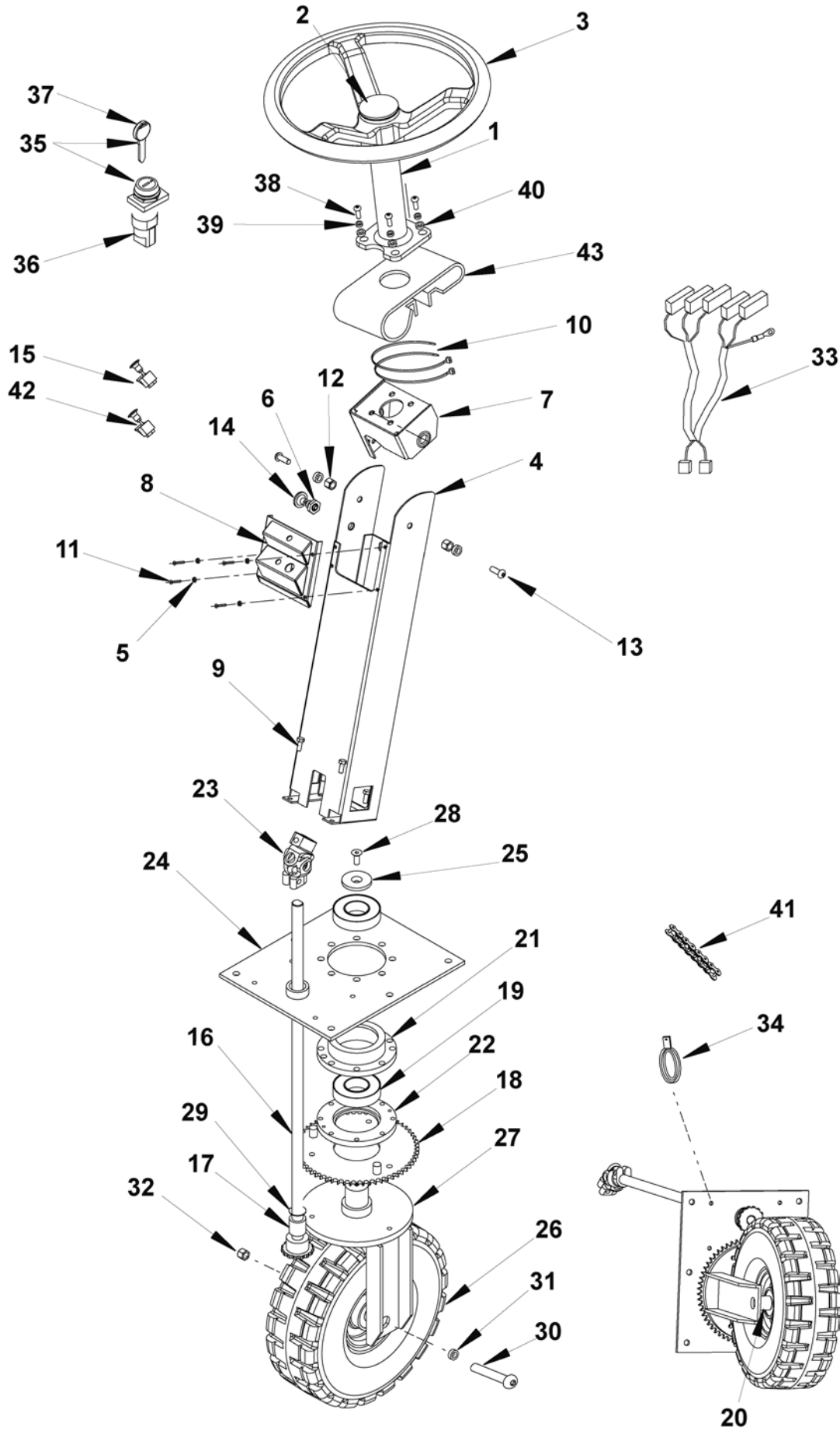
2003-04	GRUPPO SPORTELLI LATERALI / SIDE HATCHS ASSEMBLY	BOOK F		
2007-06	SR 1300H B	F	6.3.1	9

Pos Item Bild Rép	Codice Ref. No. Art. Nr. Réf. No	Q.tà Qty Menge Qté	Descrizione	Description	Beschreibung	Désignation
1#	146 1180 000	1	KIT SPORTELLLO LAT. DESTRO (6,3,4,5,8,9,10,11)	RIGHT SIDE HATCH KIT (6,3,4,5,8,9,10,11)	ZUSATZ SEITEN TUERE RECHTS (6,3,4,5,8,9,10,11)	KIT TRAPPE DROITE (6,3,4,5,8,9,10,11)
2#	146 1181 000	1	KIT SPORTELLLO LAT. SINISTRO (7,3,4,5,8,9,11,10,12)	LEFT SIDE HATCH KIT (7,3,4,5,8,9,11,10,12)	ZUSATZ SEITEN TUERE LINKS (7,3,4,5,8,9,11,10,12)	KIT TRAPPE GUACHE (7,3,4,5,8,9,11,10,12)
3#	xxxxxxxxxx	1	CHIUSURAA COMPRESS. PORTELLO DX	CLOSURE	VERSCHLUSS	FERMETURE
4	xxxxxxxxxx	4	FUNGO PARACOLPI	PROTECTION	SCHUTZPILZ	PROTECTION
5#	xxxxxxxxxx	8	VITE TE M5X10	SCREW	SCHRAUBE	VIS
6	xxxxxxxxxx	1	PORTELLO LATERALE DESTRO	RIGHT SIDE HATCH	SEITEN TUERE RECHTS	TRAPPE DROITE
7	xxxxxxxxxx	1	PORTELLO LATERALE SINISTRO	LEFT SIDE HATCH	SEITEN TUERE LINKS	TRAPPE GUACHE
8	xxxxxxxxxx	2	SUPPORTO PORTELLO LATERALE	SUPPORT	HALTER	SUPPORT
9#	xxxxxxxxxx	4	VITE TE 8X16	SCREW	SCHRAUBE	VIS
10#	xxxxxxxxxx	4	RONDELLA PIANA	WASHER	BEILAGSCHEIBE	RONDELLE
11#	xxxxxxxxxx	4	RONDELLA SPACCATA	WASHER	BEILAGSCHEIBE	RONDELLE
12#	xxxxxxxxxx	1	CHIUSURAA COMPRESS. PORTELLO SX	CLOSURE	VERSCHLUSS	FERMETURE



2003-04	GRUPPO TRAZIONE / DRIVE ASSEMBLY	BOOK F		
2007-06	SR 1300H B	F	6.3.1	11

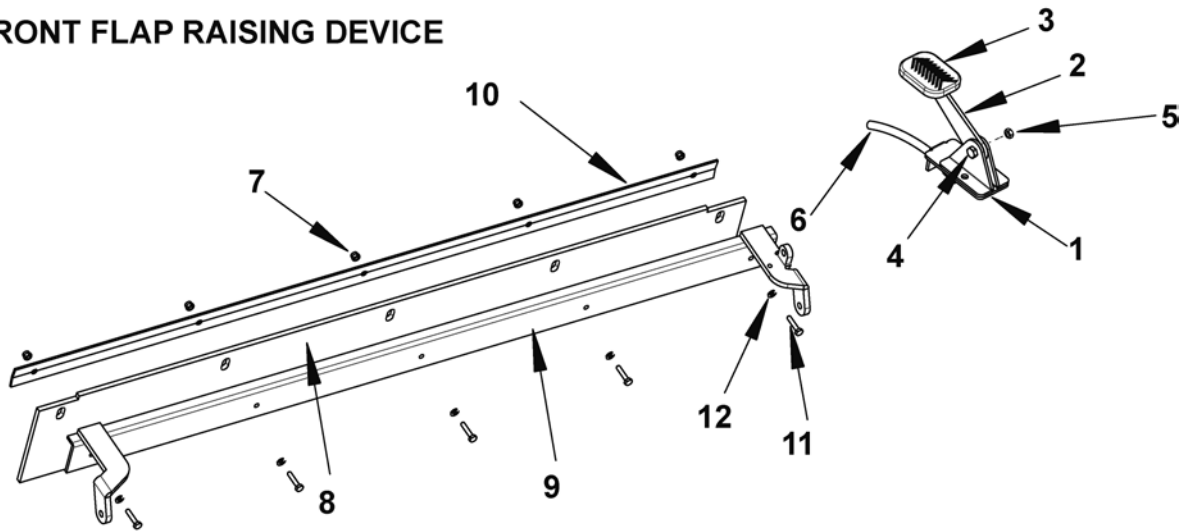
Pos Item Bild Rép	Codice Ref. No. Art. Nr. Réf. No	Q.tà Qty Menge Qté	Descrizione	Description	Beschreibung	Désignation
1	145 1123 000	3	CUSCINETTO	BALL BEARING	LAGER	ROULEMENT
2	146 1016 000	1	MOTODIFFERENZIALE	MOTODIFFERENTIAL	MOTODIFFERENTIAL	MOTODIFFERENTIAL
3	145 1976 000	3	SUPPORTO CUSC. INF.	SUPPORT	HALTER	SUPPORT
4	145 1977 000	3	SUPPORTO CUSC. SUP.	SUPPORT	HALTER	SUPPORT
5	146 0866 000	1	SUPPORTO DIFFERENZIALE	SUPPORT	HALTER	SUPPORT
6	xxx xxxx xxx	4	RONDELLA PIANA	WASHER FLAT	BEILAGSCHEIBE	RONDELLE
7#	xxxxxxxxx	2	VITE TE 8X20	SCREW HEX HD 8X20	SCHRAUBE	VIS
8#	xxxxxxxxx	4	VITE TCEI 5X35	SCREW 5X35	SCHRAUBE	VIS
9#	xxxxxxxxx	2	VITE TCEI 6X12	SCREW 6X12	SCHRAUBE	VIS
10#	xxxxxxxxx	6	VITE TCEI 8X80 INOX	SCREW 8X80 SS	SCHRAUBE	VIS
11	146 0924 000	2	PIGNONE	PINION	RITZEL	PIGNON
12	146 0865 000	1	SUPPORTO	SUPPORT	HALTER	SUPPORT
13	146 1128 000	2	VITE REG. DIFFERENZIALE	SCREW DIFFERENTIAL ADJUSTER	SCHRAUBE	VIS
14	xxx xxxx xxx	2	LINGUETTA	TAB	KEIL	CLAVETTE
15	145 9123 000	2	DADO M8	NUT	MUTTER	ECROU
16	xxx xxxx xxx	2	DADO M16	NUT	MUTTER	ECROU
17	146 0879 000	1	SUPPORTO RUOTA POST.DX	SUPPORT	HALTER	SUPPORT
18	146 0880 000	1	SUPPORTO RUOTA POST.SX	SUPPORT	HALTER	SUPPORT
19	146 0908 000	2	CORONA	CROWN	KRANZ	COURONNE
20#	146 2335 000	1	CAVO FRENO DX	CABLE BRAKE RIGHT	KABEL BREMSE RECHTS	CABLE FREIN DROITE
21#	146 2336 000	1	CAVO FRENO SX	CABLE BRAKE LEFT	KABEL BREMSE LINKS	CABLE FREIN GAUCHE
22#	145 1875 000	2	RUOTA POSTERIORE STD	WHEEL REAR STD	RAD HINTEN	ROUE ARRIERE
22*	146 0330 000	2	RUOTA POST. ANTITRACCIA	WHEEL REAR NON MARKING	SPURLOSEN RAD HINTEN	ROUE ARRIERE NON MARQU.
23	145 9756 000	2	FRENO POSTERIORE	BRAKE REAR	BREMSE HINTEN	FREIN ARRIERE
24#	xxxxxxxxx	12	VITE M6X16	SCREW M6X16	SCHRAUBE	VIS
25#	xxxxxxxxx	2	RONDELLA SPACCATA	WASHER	BEILAGSCHEIBE	RONDELLE
26#	xxxxxxxxx	2	RONDELLA PIANA	WASHER FLAT	BEILAGSCHEIBE	RONDELLE
27	146 1114 000	2	CATENA	CHAIN	KETTE	CHAINE
28#	xxxxxxxxx	2	RONDELLA	WASHER	BEILAGSCHEIBE	RONDELLE
29	xxx xxxx xxx	2	RONDELLA	WASHER	BEILAGSCHEIBE	RONDELLE
30#	xxxxxxxxx	2	VITE M8X20	SCREW	SCHRAUBE	VIS
31	146 0621 000	3	GRANO	DOWEL	DUEBEL	GOUPILLE
0	145 9864 000	4	CARBONCINO (PER MOTORE 146 1016 000)	CARBON BRUSH (FOR MOTOR 146 1016 000)	KOHLLENBUERSTE (FUER MOTOR 146 1016 000)	CHARBON (POUR MOTEUR 146 1016 000)
33	146 1186 000	1	KIT VITERIA GRUPPO TRAZIONE (6,7,8,9,10,14,16,24, 25,26,28,29,30)	DRIVE ASSEMBLY HARDWARE KIT (6,7,8,9,10,14,16,24,25,26, 28,29,30)	ZUSATZ SCHRAUBEN ANTRIEB SATZ (6,7,8,9,10,14,1 6,24,25,26,28,29,30)	KIT VIS SYSTEME TRACTION (6,7,8,9,10,14,16,24,25,26,28 ,29,30)



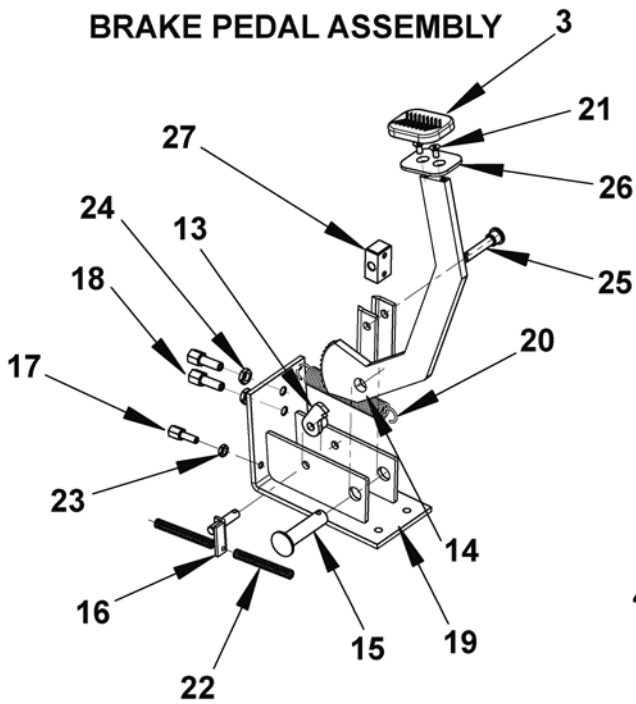
2003-04	GRUPPO STERZO / STEERING ASSEMBLY	BOOK F		
2007-06	SR 1300H B	F	6.3.1	13

Pos Item Bild Rép	Codice Ref. No. Art. Nr. Réf. No	Q.tà Qty Menge Qté	Descrizione	Description	Beschreibung	Désignation
1	145 1946 000	1	COLONNA STERZO	STEERING COLUMN	LENKSAEULE	COLONNE DE DIRECTION
2	145 8753 000	1	TAPPO VOLANTE	CAP	PROPFEN	BOUCHON
3	145 1854 000	1	VOLANTE	STEERING WHEEL	LENKRAD	VOLANT
4	146 0914 000	1	COLONNA STERZO	STEERING COLUMN	LENKSAEULE	COLONNE DE DIRECTION
5	xxxxxxxxxx	4	RONDELLA	WASHER	BEILAGSCHEBE	RONDELLE
6	146 0961 000	1	PISTONCINO A MOLLA	JOINT	KOLBEN	PISTON
7#	146 2030 000	1	SOSTEGNO	SUPPORT	HALTER	SUPPORT
8#	146 2907 000	1	SUPPORTO LEVE	SUPPORT	HALTER	SUPPORT
9#	xxxxxxxxxx	4	VITE TE 8X20	SCREW HEX HD 8X20	SCHRAUBE	VIS
10#	xxxxxxxxxx	2	FASCETTA	CLAMP	SHELLE	COLLIER
11	xxxxxxxxxx	4	VITE M4X25	SCREW M4X25	SCHRAUBE	VIS
12#	xxxxxxxxxx	2	DADO M12	NUT M12	MUTTER	ECROU
13	xxxxxxxxxx	2	VITE M12X30	SCREW M12X30	SCHRAUBE	VIS
14	xxxxxxxxxx	2	DISTANZIALE	SPACER	ABSTANDSTUECK	ENTRETOISE
15#	146 0992 000	1	CAVO CHIUSURA ASP.	CABLE VACUUM CONTR.	CABEL	CABLE
16	146 0960 000	1	ALBERO STERZO	STEERING SHAFT	LENKWELLE	ARBRE
17	145 2626 000	1	MOLLA	SPRING	FEDER	RESSORT
18	145 2714 000	1	CORONA STERZO	STEERING CROWN	LENKKRANZ	COURONNE
19	145 2357 000	2	CUSCINETTO	BALL BEARING	LAGER	ROULEMENT
20	145 9586 000	2	DISTANZIALE	SPACER	ABSTANDSTUECK	ENTRETOISE
21	145 2586 000	1	FLANGIA	FLANGE	FLANSCH	FLASQUE
22	145 2587 000	1	FLANGIA	FLANGE	FLANSCH	FLASQUE
23	145 9619 000	1	GIUNTO	JOINT	KUPPLUNG	JOINT
24	145 1847 000	1	PIASTRA PORTA STERZO	STEERING SHAFT SUPPORT	PLATTE	PLAQUE
25	xxx xxxx xxx	1	RONDELLA	WASHER	BEILAGSCHEIBE	RONDELLE
26	145 9494 000	1	RUOTA ANTERIORE STD	WHEEL FRONT STD	RAD VORNE	ROUE AVANT
26*	146 0329 000	1	RUOTA ANTITRACCIA ANT	WHEEL FRONT NON MARKING	SPURLOSE RAD VORNE	ROUE AVANT NON MARQU.
27	145 5662 000	1	SUPPORTO RUOTA ANT.	WHEEL FRONT SUPPORT	HALTER	SUPPORT
28#	xxxxxxxxxx	1	VITE M8X20	SCREW M8X20	SCHRAUBE	VIS
29#	33006056	1	ANELLO ELASTICO	SEEGER	SICHERUNGSRING	CIRCLIPS
30#	xxxxxxxxxx	1	VITE 20X140	SCREW 20X140	SCHRAUBE	VIS
31#	xxxxxxxxxx	1	RONDELLA	WASHER	BEILAGSCHEIBE	RONDELLE
32	xxxxxxxxxx	1	DADO M20	NUT M20	MUTTER	ECROU
33#	146 1844 000	1	CABLAGGIO PLANCIA	CONTROL PANEL HARNESS	LITZENSET ARMATURENBRETT	CABLAGE
34#	145 8881 000	1	CLACSON	HORN	HUEPE	AVERTISSEUR
35#	146 2901 000	1	INTERRUPTORE A CHIAVE	KEY SWITCH	SCHLUESSELSCHALTER	INTERRUPTEUR
36#	146 1730 000	1	CONTATTO	CONTACT	KONTACT	CONTACT
37	145 6007	1	CHIAVE	KEY	SCHLUESSEL	CLE
38#	xxxxxxxxxx	4	VITE TE M8X25	SCREW	SCHRAUBE	VIS
39#	xxxxxxxxxx	4	RONDELLA	WASHER	BEILAGSCHEIBE	RONDELLE
40#	xxxxxxxxxx	4	RONDELLA	WASHER	BEILAGSCHEIBE	RONDELLE
41	145 1784 000	1	CATENA	CHAIN	KETTE	CHAINE
42	146 0991 000	1	CAVO BLOCCO FRENO	CABLE BREAK	KABEL BREMSE	CABLE FREIN
43#	146 1668 000	1	GOMMA CHIUSURA STERZO	PROTECTION	SCHUTZ	PROTECTION
0	146 1187 000	1	KIT VITERIA GRUPPO STERZO (5,9,10,11,12,13,14,25,28,30, 31,32,38,39,40)	STEERING ASSEMBLY HARDWARE KIT (5,9,10,11,12 13,14,25,28,30,31,32,38,39,40)	ZUSATZT SCHRAUBEN LENKUNG SATZ (5,9,10,11,12 13,14,25,28,30,31,32,38,39,40)	KIT VIS SYSTEME BRAQUAGE (5,9,10,11,12,13,14,25,28,30, 31,32,38,39,40)

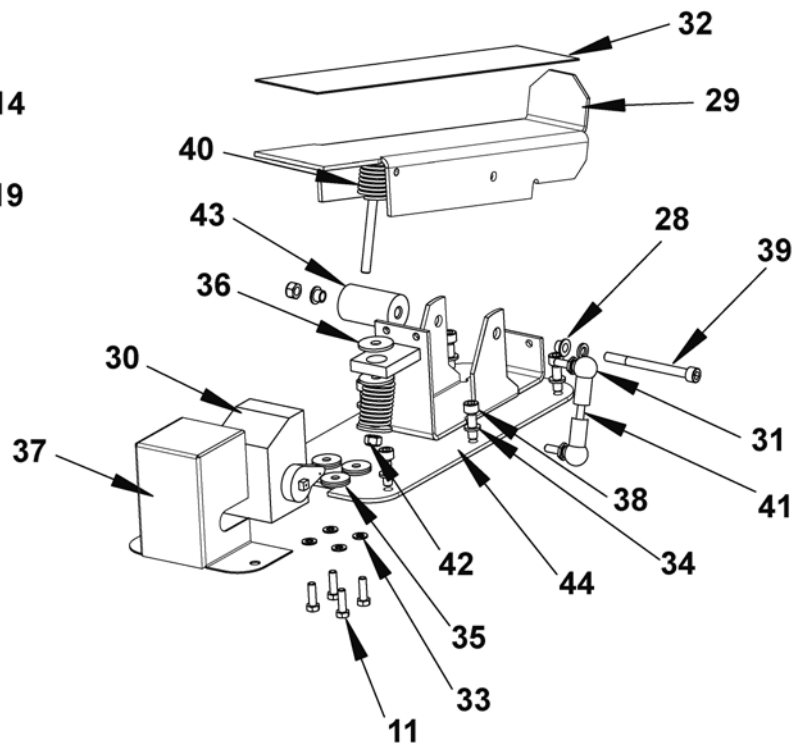
FRONT FLAP RAISING DEVICE



BRAKE PEDAL ASSEMBLY

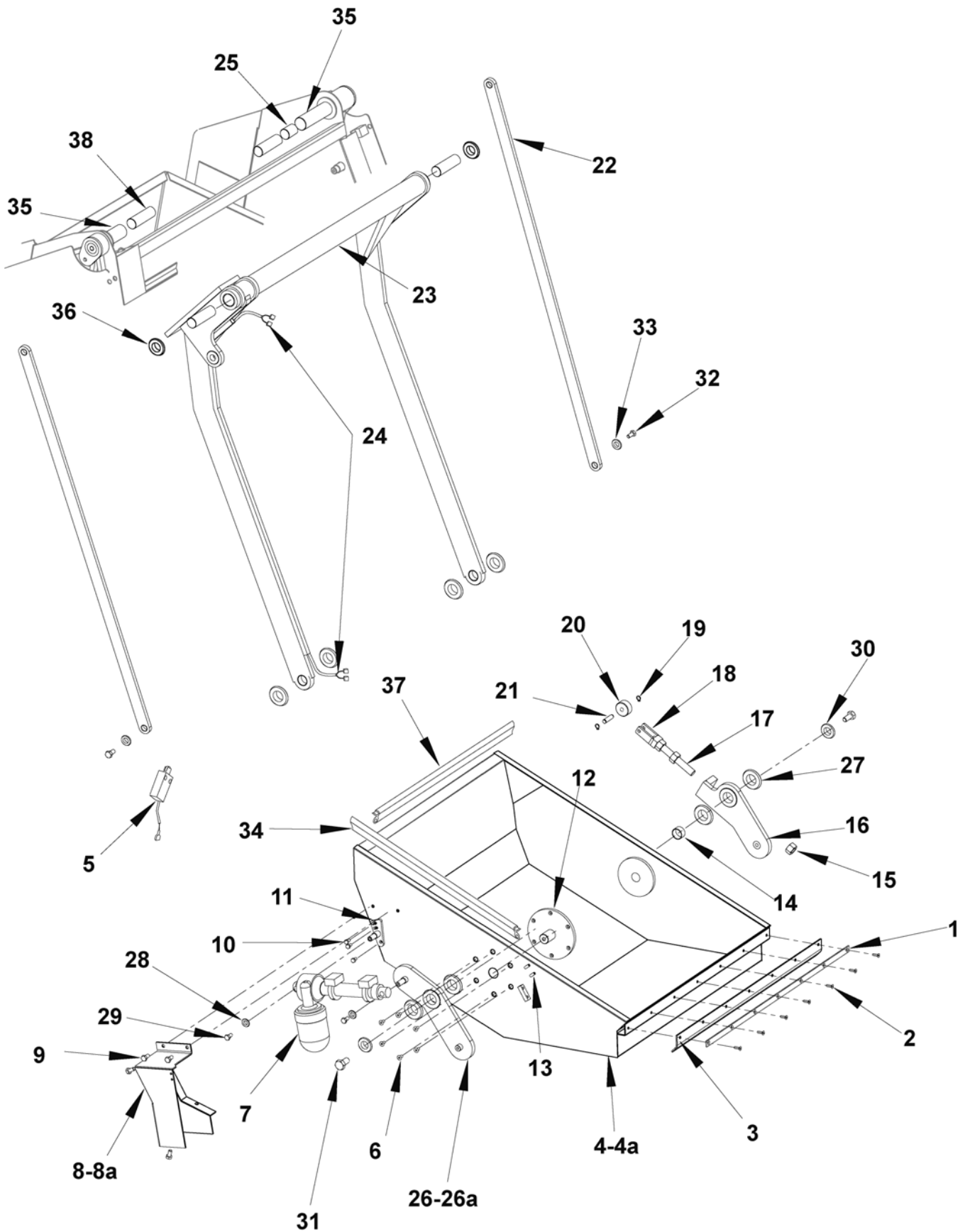


ACCELERATOR PEDAL ASSEMBLY



2003-04	GRUPPO PEDALI DI COMANDO / CONTROL PEDALS ASSEMBLY	BOOK F		
2007-06	SR 1300H B	F	6.3.1	15

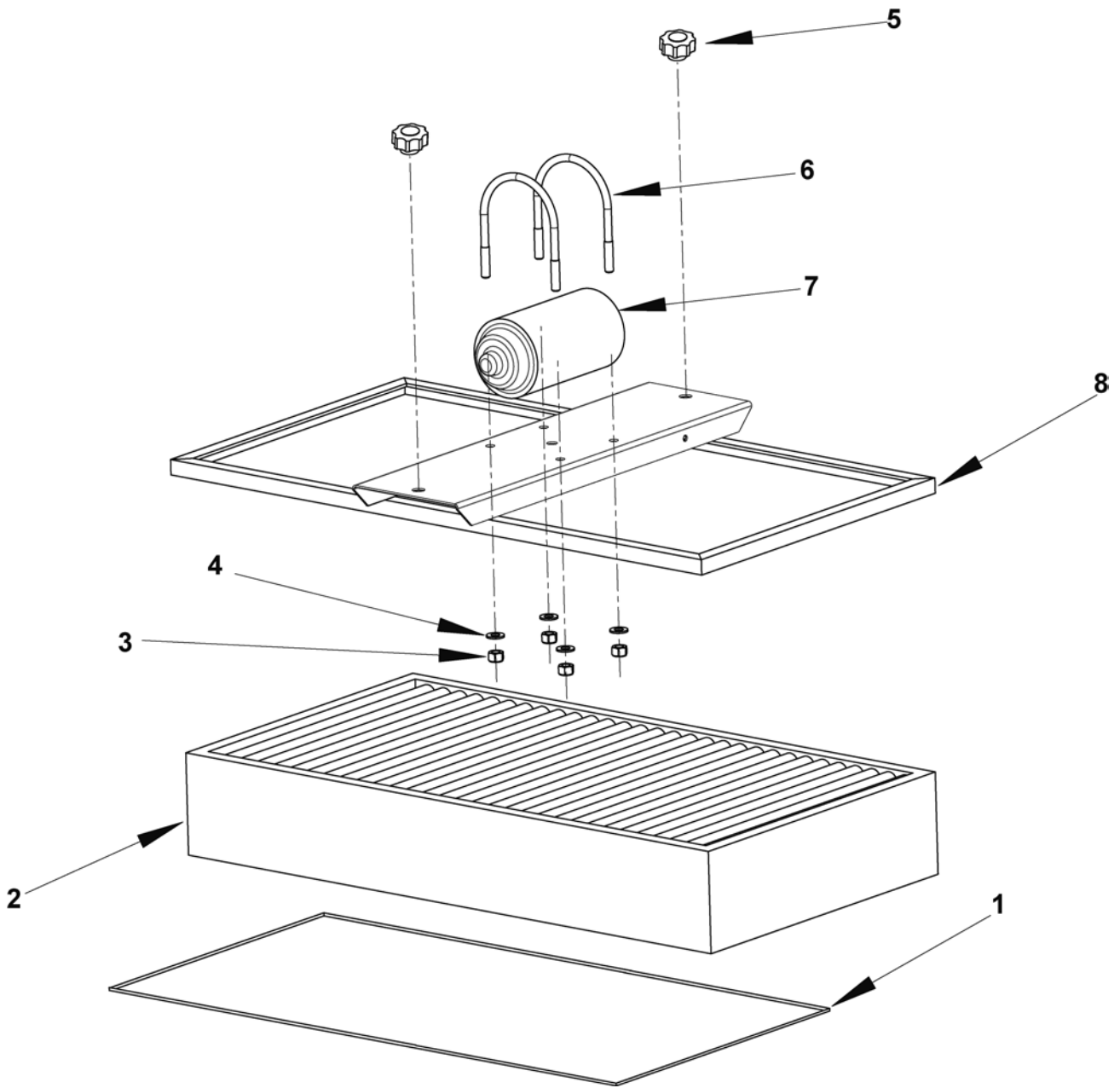
Pos Item Bild Rép	Codice Ref. No. Art. Nr. Réf. No	Q.tà Qty Menge Qté	Descrizione	Description	Beschreibung	Désignation
1	145 1839 000	1	SUPPORTO PEDALE	SUPPORT	HALTER	SUPPORT
2	145 1841 000	1	PEDALE ALZA FLAP	FLAP RAISING PEDAL	PEDAL	PEDALE
3	145 8478 000	2	COPRI PEDALE	COVER	PEDAL ABDECKUNG	HOUSSE PEDALE
4#	33003975	1	VITE TE M6X20	SCREW HEX HD M6X20	SCHRAUBE	VIS
5	33005562	1	DADO ES. AUTOBL. M6	NUT HEX SELF LOCK M6	MUTTER	ECROU
6#	146 2860 000	1	CAVO ALZA FLAP	FLAP RAISING CABLE	KABEL	CABLE
7#	33005903	5	DADO ES. AUTOBL. M5	NUT HEX SELF LOCK M5	MUTTER	ECROU
8	145 4653 000	1	FLAP ANTERIORE	FRONT FLAP	GUMMILIPPE VORNE	BAVETTE AVANT
8*	146 1152 000	1	FLAP ANT. ANTITRACCIA	NON MARKING FRONT FLAP	SPURLOSE GUMMIL.VORNE	BAVETTE NON MARQ.AVANT
9	145 1872 000	1	ALZAFLAP	FLAP RAISING DEVICE	GUMMILIPPE AUFHEBUNG	RELEVE BAVETTE
10	145 4655 000	1	PIATTINA FLAP ANTERIORE	PLATE	PLATTE	PLAQUE
11#	xxxxxxxxxx	9	VITE TE M5X16	SCREW HEX HD M5X16	SCHRAUBE	VIS
12	145 9144 000	5	RONDELLA PIANA	WASHER FLAT	BEILAGSCHEIBE	RONDELLE
13#	xxx xxx xxx	1	AGGANCIO DENTATO	HOOK	HAKEN	CROCHET
14	146 0982 000	1	PEDALE FRENO	BRAKE PEDAL	BREMSPEDAL	PEDALE FREIN
15#	xxxxxxxxxx	1	PERNO	PIN	STIFT	AXE
16#	xxxxxxxxxx	1	PERNO AGGANCIO	PIN	STIFT	AXE
17	xxxxxxxxxx	1	REGISTRO	REGISTER	REGLER	VIS DE REGLAGE
18	xxxxxxxxxx	2	REGISTRO	REGISTER	REGLER	VIS DE REGLAGE
19	146 0985 000	1	SUPPORTO PEDALE FRENO	SUPPORT	HALTER	SUPPORT
20	146 0986 000	1	MOLLA FRENO	SPRING	FEDER	RESSORT
21#	33004560	2	VITE TSPEI M5X10	SCREW	SCHRAUBE	VIS
22	145 1935 000	2	MOLLA	SPRING	FEDER	RESSORT
23#	xxxxxxxxxx	1	DADO ES. BASSO M6	NUT HEX M6	MUTTER	ECROU
24#	xxxxxxxxxx	2	DADO ES. BASSO M8	NUT HEX M8	MUTTER	ECROU
25#	xxxxxxxxxx	1	PERNO	PIN	STIFT	AXE
26	146 1410 000	1	PIASTRA PEDALE	PLATE	PEDAL PLATTE	PLAQUE
27#	xxxxxxxxxx	1	PIASTRINA FISSACAVI	PLATE	PLATTE	PLAQUE
28	xxxxxxxxxx	2	BOCCOLA	BUSHING	BUECHSE	BAGUE
29	146 0976 000	1	PEDALE AVANZAMENTO	PEDAL	PEDAL	PEDALE
30	146 0844 000	1	SCHEDA CONTROLLO PEDALE	CARD CONTROL PEDAL	KARTE	PLATINE CONTROLE DU PEDALE
31	xxxxxxxxxx	2	TESTA SNODATA	ARTICULATED HEAD	GELENKKOPF	ROTULE
32	146 1154 000	1	ANTISCIVOLO	MAT	GLEITSCHUTZ	ANTIDERAPANT
33	xxxxxxxxxx	4	RONDELLA PIANA	WASHER FLAT	BEILAGSCHEIBE	RONDELLE
34#	xxxxxxxxxx	7	RONDELLA PIANA	WASHER FLAT	BEILAGSCHEIBE	RONDELLE
35	xxxxxxxxxx	8	RONDELLA PIANA	WASHER FLAT	BEILAGSCHEIBE	RONDELLE
36	xxxxxxxxxx	3	RONDELLA PIANA	WASHER FLAT	BEILAGSCHEIBE	RONDELLE
37#	146 1054 000	1	COPERCHIO COMANDO ACC.	COVER	DECKEL	COUVERCLE
38#	xxxxxxxxxx	6	VITE TCEI M6X20	SCREW M6X20	SCHRAUBE	VIS
39	xxxxxxxxxx	1	VITE TCEI M6X70	SCREW M6X70	SCHRAUBE	VIS
40#	xxxxxxxxxx	2	MOLLA AZZERATORE PEDALE	SPRING	FEDER	RESSORT
41	xxxxxxxxxx	1	TIRANTE PEDALE AVANZAM.	TENSION ROD	ZUGSTANGE	TIRANT
42#	xxxxxxxxxx	2	DADO ES. BASSO AUTOB.M6	NUT HEX SELF LOCK M6	MUTTER	ECROU
43	xxxxxxxxxx	1	DISTANZIALE	SPACER	ABSTANDSTUECK	ENTRETOISE
44	146 0980 000	1	SUPPORTO PEDALE INFERIORE	SUPPORT	HALTER	SUPPORT
0	146 1188 000	1	KIT PEDALE FRENO (13,15,16,17,18,23,24,25,27)	BRAKE PEDAL HARDWARE KIT (13,15,16,17,18,23,24,25,27)	ZUSATZ SCHRAUBEN BREMSPEDAL (13,15,16,17,18,23,24,25,27)	KIT VIS PEDALE FREIN (13,15,16,17,18,23,24,25,27)
0#	146 1189 000	1	KIT VITERIA PEDALE ACCELERATORE (11,28,31,33,34,35,36,38,39, 40,41,42,43)	ACCELERATOR PEDAL HARDWARE KIT (11,28,31,33,34,35,36,38,39, 40,41,42,43)	ZUSATZ SCHRAUBEN GASPEDAL (11,28,31,33,34,35,36,38,39, 40,41,42,43)	KIT VIS PEDALE ACCELERATEUR (11,28,31,33,34,35,36,38,39, 40,41,42,43)



2003-04	GRUPPO CASSONE / WASTE CONTAINER ASSEMBLY	BOOK F		
2007-06	SR 1300H B	F	6.3.1	17

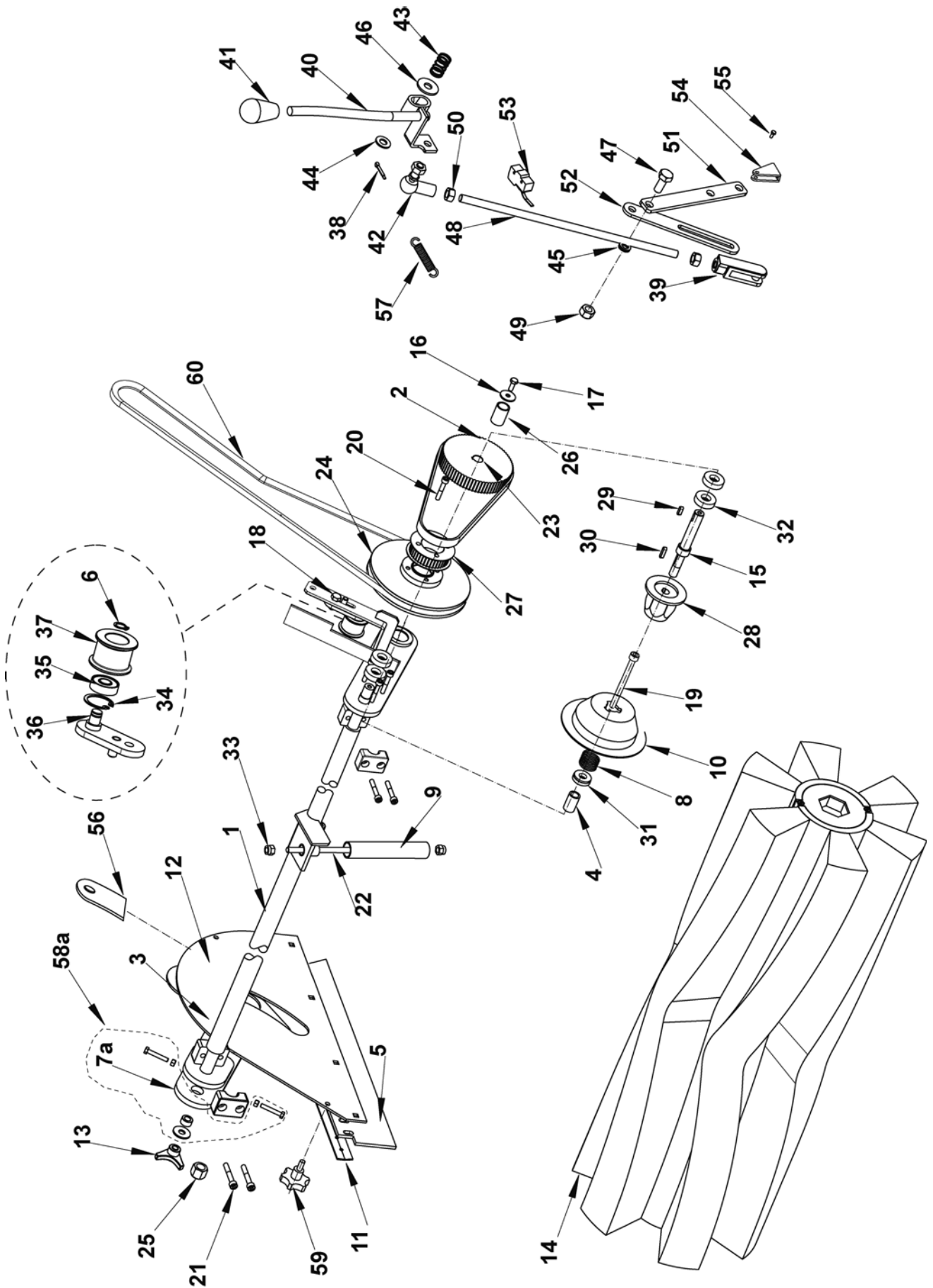
Pos Item Bild Rép	Codice Ref. No. Art. Nr. Réf. No	Q.tà Qty Menge Qté	Descrizione	Description	Beschreibung	Désignation
1	146 0995 000	1	PIATTINA GUARNIZIONE	PLATE	PLATTE	PLAQUE
2#	xxxxxxxxxx	7	VITE TSPEI M5X16	SCREW	SCHRAUBE	VIS
3	146 0882 000	1	GUARNIZIONE CASSONE	GASKET	DICHTUNG	JOINT
4	146 0906 000	1	CASSONE RIFIUTI	WASTE CONTAINER	SCHMUTZBEHAELTER	BAC A DECHET
4#a	146 1228 000	1	CASSONE RIFIUTI	WASTE CONTAINER	SCHMUTZBEHAELTER	BAC A DECHET
5	146 0848 000	1	MICROINTERRUPTORE 16A	MICROSWITCH	MIKROSCHALTER	MICROINTERRUPTEUR
6#	xxxxxxxxxx	6	VITE TSPEI M6X12	SCREW	SCHRAUBE	VIS
7	146 0929 000	1	MARTINETTO	JACK MOTOR	WAGENHEBER	CRIC
8	146 0933 000	1	CARTER MARTINETTO	PROTECTION	SCHUTZ	PROTECTION
8#a	146 1229 000	1	CARTER MARTINETTO	PROTECTION	SCHUTZ	PROTECTION
9#	xxxxxxxxxx	2	VITE TE M8X16	SCREW	SCHRAUBE	VIS
10#	xxxxxxxxxx	3	VITE TE M6X12	SCREW	SCHRAUBE	VIS
11	146 0994 000	1	PERNO FISSAGGIO ATTUAT.	PIN, JACK MOT. FIXING	STIFT	AXE
12	146 0993 000	1	PERNO CASSONE	PIN, WASTE CONTAINER	STIFT	AXE
13	xxxxxxxxxx	2	GRANO	DOWEL	DUEBEL	GOUPILLE
14#	xxxxxxxxxx	4	BOCCOLA	BUSH	BUCHSE	BAGUE
15	xxxxxxxxxx	3	DADO M16	NUT	MUTTER	ECROU
16	146 0930 000	1	BRACCIO SX CONTENITORE	ARM LEFT	ARM LINKS	BRAS GAUCHE
17	146 0937 000	1	BARRA FILETTATA	BAR	STANGE	BARRE
18	146 0934 000	1	FORCELLA	FORK	GABELSTUECK	FOURCHETTE
19#	xxxxxxxxxx	2	SEEGER	SEEGER	SICHERUNGSRING	CIRCLIPS
20	xxxxxxxxxx	1	DISTANZIALE	SPACER	ABSTANDSTUECK	ENTRETOISE
21	xxxxxxxxxx	1	ALBERO DISTANZIALE	SHAFT	WELLE	ARBRE
22	146 0935 000	2	LEVA SINGOLA SOLLEVAM.	LEVER	HEBEL	LEVER
23	146 0881 000	1	SUPPORTO LEVE SOLLEVAM.	SUPPORT	HALTER	SUPPORT
24	146 0853 000	1	CABLAGGIO CASSONE	WASTE CONT. HARNESS	LITZENSET SCHMUTZBEAH.	CABLAGE BAC A DECHET
25#	146 1033 000	1	BOCCOLA 30X20	BUSHING	BUCHSE	BAGUE
26	146 0931 000	1	BRACCIO DX CONTENITORE	ARM RIGHT	ARM RECHTS	BRAS DROITE
26A#	146 1227 000	1	BRACCIO DX CONTENITORE	ARM RIGHT	ARM RECHTS	BRAS DROITE
27	xxxxxxxxxx	8	DISTANZIALE	SPACER	ABSTANDSTUECK	ENTRETOISE
28#	xxxxxxxxxx	2	RONDELLA ES.SPAC. 6	WASHER	BEILAGSCHEIBE	RONDELLE
29#	xxxxxxxxxx	2	VITE TCEI M6X20	SCREW	SCHRAUBE	VIS
30	xxxxxxxxxx	2	RONDELLA PIANA 10X30	WASHER FLAT	BEILAGSCHEIBE	RONDELLE
31#	xxxxxxxxxx	2	VITE TSPEI M8X16	SCREW	SCHRAUBE	VIS
32#	xxxxxxxxxx	2	VITE TSPEI M6X16	SCREW	SCHRAUBE	VIS
33	xxxxxxxxxx	2	RONDELLA PIANA 8X32	WASHER FLAT	BEILAGSCHEIBE	RONDELLE
34	146 1159 000	2	GUARNIZIONE LAT. CASSONE	GASKET SIDE WASTE CONT.	DICHTUNG SEIT. SCHMUTZBE.	JOINT LAT.BAC A DECHET
35#	146 1000 000	2	PERNO DX/SX	PIN RIGHT/LEFT	STIFT RECHTS/ LINKS	AXE DROITE/ GAUCHE
36#	146 1203 000	2	DISTANZIALE	SPACER	BEILAGSCHEIBE	ENTRETOISE
37	146 1160 000	1	GUARNIZIONE POST. CASSONE	GASKET REAR WASTE CONT.	DICHTUNG HINT. SCHMUTZBE.	JOINT ARR.BAC A DECHET
38	146 1050 000	4	BOCCOLA 30X40	BUSHING	BUCHSE	BAGUE
0#	146 1190 000	1	KIT VITERIA GRUPPO CASSONE (2,6,9,10,13,14,15,19,20,21,27,28,29,30,31,32,33)	WASTECONTAINER HARDWARE KIT (2,6,9,10,13,14,15,19,20,21,27,28,29,30,31,32,33)	ZUSATZ SCHRAUBEN SCHMUTZBEHAELTER (2,6,9,10,13,14,15,19,20,21,27,28,29,30,31,32,33)	KIT VIS BAC A DECHET (2,6,9,10,13,14,15,19,20,21,27,28,29,30,31,32,33)

A: BEFORE S/N 033007700



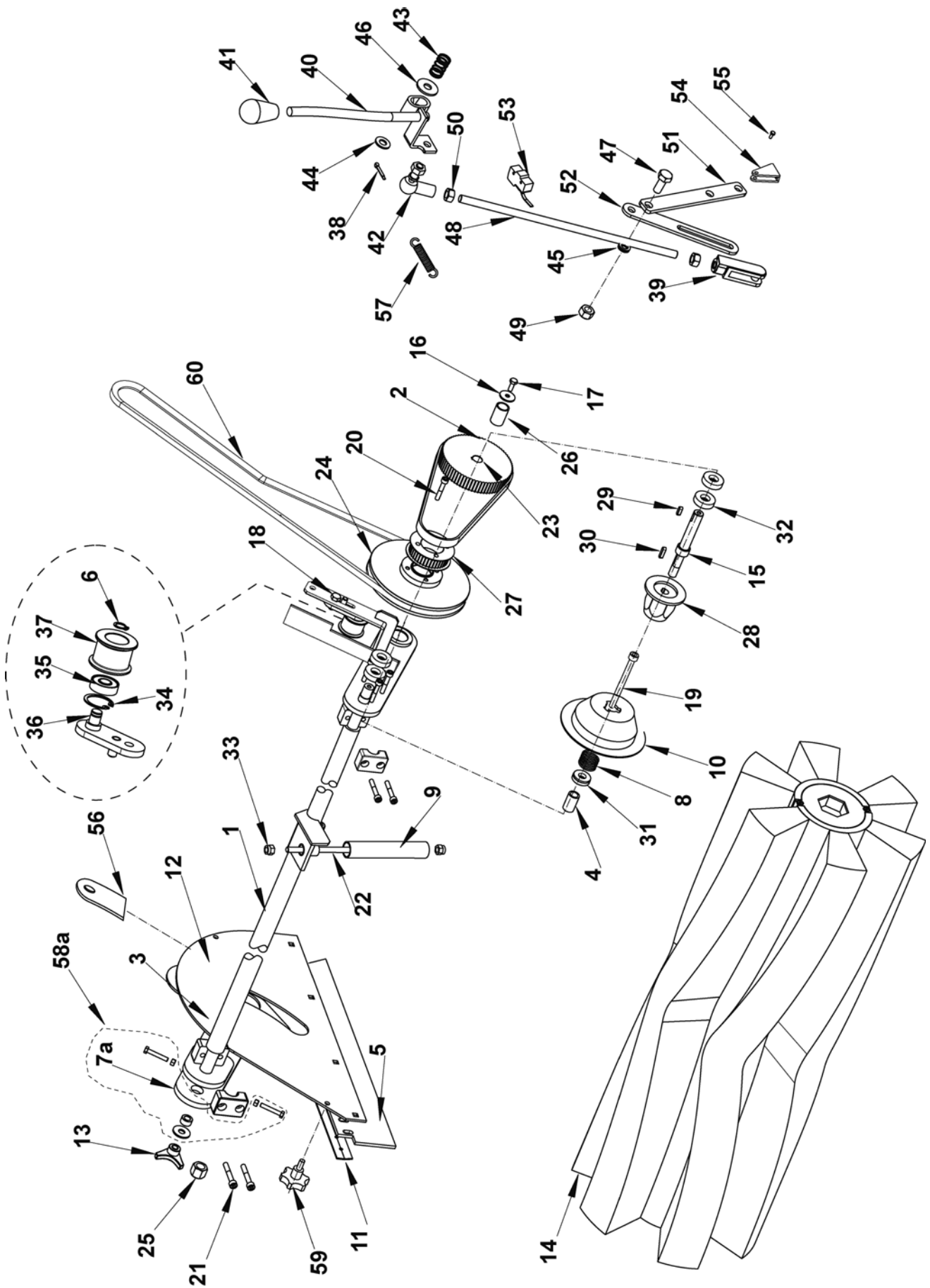
2003-04	GRUPPO FILTRO / FILTER ASSEMBLY	BOOK F		
2007-06	SR 1300H B	F	6.3.1	19

Pos Item Bild Rép	Codice Ref. No. Art. Nr. Réf. No	Q.tà Qty Menge Qté	Descrizione	Description	Beschreibung	Désignation
1	146 1158 000	1	GUARNIZIONE FILTRO	GASKET	DICHTUNG	JOINT
2	145 5665 000	1	FILTRO IN CARTA	PAPER FILTER	PAPIER FILTER	PAPIER FILTER
2*	145 6013 000	1	FILTRO IN POLIESTERE	POLYESTER FILTER	POLYESTER FILTER	POLYESTER FILTER
3#	33005607	4	DADO ES. AUTOBL.M8	NUT SELFLOCKING M8	MUTTER	ECROU
4#	33005915	4	RONDELLA PIANA	WASHER FLAT	BEILAGSCHEIBE	RONDELLE
5	145 5035 000	2	POMELLO	HANDWHEEL	KUEGELGRIFF	BOULE
6	146 0072 00	2	FASCETTA	CLAMP	PASSRING	COLLIER
7	145 5539 000	1	MOTORE SCUOTIFILTRO 90W	FILTER SHAKER MOTOR	FILTERRUETTLER	FILTER SECOUER
8	146 0904 000	1	TELAIO FILTRO IN CARTA	FILTER FRAME	FILTER RAHMEN	FILTER SUPPORT



2003-04	GRUPPO SPAZZOLA CENTRALE / MAIN BROOM ASSEMBLY		BOOK F		
2007-06	SR 1300H B		F	6.3.1	21

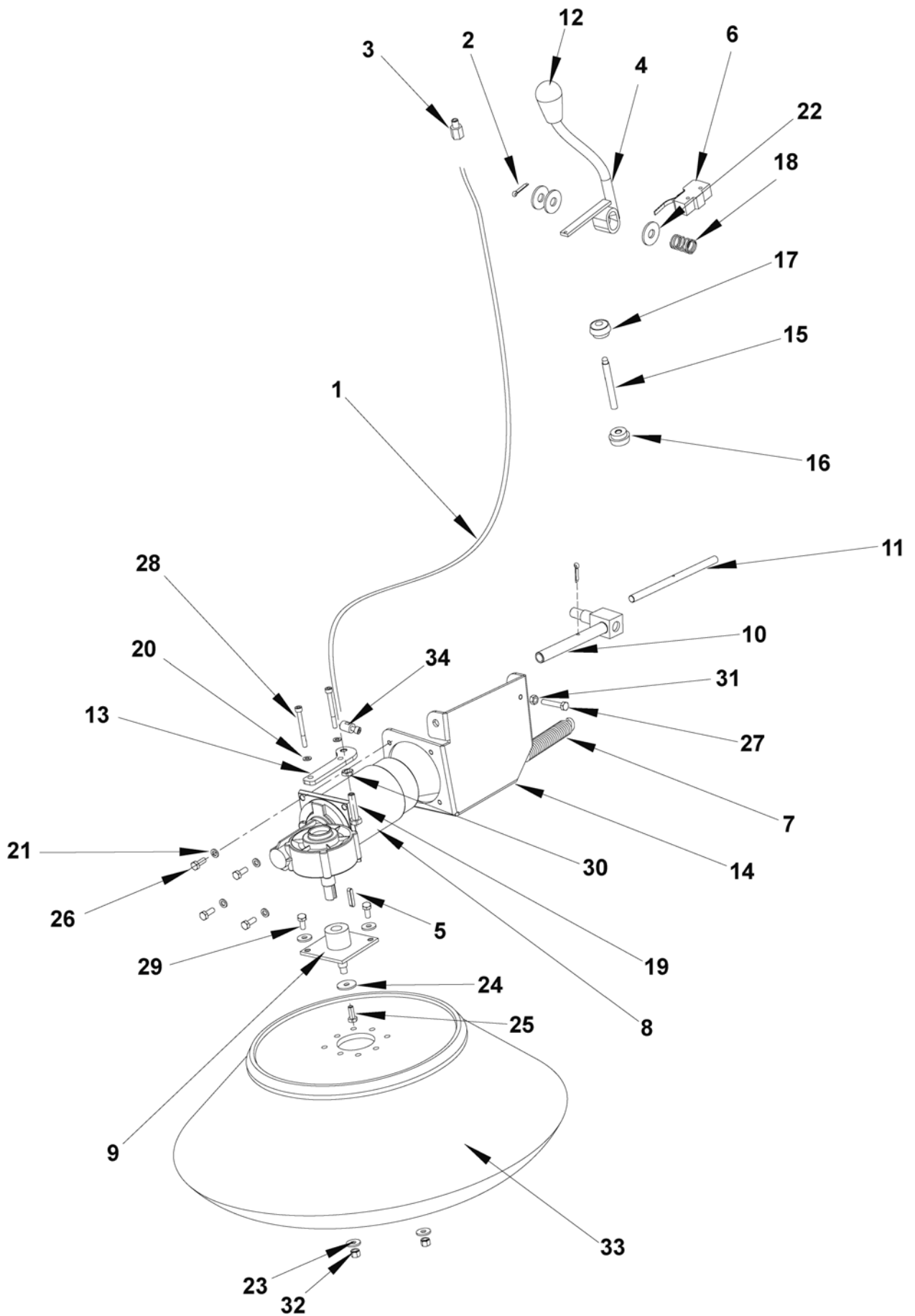
Pos Item Bild Rép	Codice Ref. No. Art. Nr. Réf. No	Q.tà Qty Menge Qté	Descrizione	Description	Beschreibung	Désignation
1	146 0873 000	1	ALBERO SPAZZOLA CENTRALE	MAIN BROOM SHAFT	WELLE	ARBRE
2	146 0855 000	1	CINGHIA	BELT	RIEMEN	COURROIE
3	145 1891 000	2	COLLARE	COLLAR	SCHELLE	COLLIER
4	145 2662 000	1	DISTANZIALE	SPACER	ABSTANDSTUECK	ENTRETOISE
5	145 5927 000	1	FLAP LATERALE	SIDE SKIRT	SEITEN GUMMILIPPE	BAVETTE LATERAL
5*	146 1150 000	1	FLAP LAT. ANTITRACCIA	NON MARKING SIDE SKIRT	SPURLOSE GUMMILIP. SEIT.	BAV LATER.NON MARQUANTE
6#	xxxxxxxxxx	1	SEEGER	SEEGER	SICHERUNGSRING	SEEGER
7	145 1845 000	1	LEVA SPAZZOLA CENTR	LEVER	HEBEL	LEVER
7A#	146 1236 000	1	LEVA SPAZZOLA CENTR	LEVER	HEBEL	LEVER
8	145 0271 000	1	MOLLA	SPRING	FEDER	RESSORT
9	146 0878 000	1	MOLLA	SPRING	FEDER	RESSORT
10	145 0269 000	1	MOZZO	HUB	NABE	MOYEU
11	145 5929 000	1	PIATTINA	PLATE	PLATTE	PLAQUE
12	145 1827 000	1	PORTELLO	HATCH	KLAPPE	TRAPPE
13	145 5035 000	1	VOLANTINO	KNOB	HANDRAD	MOLETTE
14	146 1018 000	1	SPAZ.CENTR.PPL 0,8 STD	MAIN BROOM PPL 0,8 STD	HAUPTKEHRWALZE PPL 0,8	BALAI CENTRAL PPL 0,8
14*	145 6135 000	1	SPAZ.CENTR.SAGGINA	MAIN BROOM NAT. FIBRE	HAUPTKEHRW. MOHRENFAS.	BALAI CENTRAL VEGETAL
14*	145 4963 000	1	SPAZ.CENTR.MISTA AC.	MAIN BROOM STEEL MIX	HAUPTKEHRW.STAHL GEM.	BALAI C.ACCIER MELANGE
15	146 0872 000	1	PERNO SPAZZOLA CENTR	PIN	STIFT	AXE
16	xxxxxxxxxx	1	RONDELLA PIANA	WASHER FLAT	BEILAGSCHEIBE	RONDELLE
17#	xxxxxxxxxx	1	VITE 6X16	SCREW	SCHRAUBE	VIS
18#	xxxxxxxxxx	1	VITE TE 8X20	SCREW HEX HD 8X20	SCHRAUBE	VIS
19#	xxxxxxxxxx	1	VITE TCEI 12X60	SCREW 12X60	SCHRAUBE	VIS
20#	xxxxxxxxxx	4	VITE TCEI 6X35	SCREW 6X35	SCHRAUBE	VIS
21#	xxxxxxxxxx	4	VITE TCEI 6X40	SCREW 6X40	SCHRAUBE	VIS
22	146 0971 000	1	BARRA FILETTATA	ROD	STANGE	BARRE
23	146 0875 000	1	PULEGGIA	PULLEY	SCHEIBE	POULIE
24	146 0972 000	1	PULEGGIA	PULLEY	SCHEIBE	POULIE
25#	xxxxxxxxxx	1	DADO E. AUTOBLOC. M12	NUT HEX M12	MUTTER	ECROU
26	146 0876 000	1	DISTANZIALE	SPACER	ABSTANDSTUECK	ENTRETOISE
27	146 0874 000	1	PULEGGIA	PULLEY	SCHEIBE	POULIE
28	146 1041 000	1	TRASCINATORE	HUB	NABE	MOYEU
29	xxx xxxx xxx	1	LINGUETTA	TAB	KEIL	CLAVETTE
30	xxx xxxx xxx	1	CHIAVETTA	KEY	KEILNUT	CLAVETTE
31	145 0270 000	1	CUSCINETTO	BALL BEARING	LAGER	ROULEMENT
32	145 8196 000	4	CUSCINETTO	BALL BEARING	LAGER	ROULEMENT
33#	xxxxxxxxxx	2	DADO E. AUTOBLOC. M8	NUT HEX M8	MUTTER	ECROU
34#	xxxxxxxxxx	1	SEEGER	SEEGER	SICHERUNGSRING	CIRCLIPS
35	145 9186 000	1	CUSCINETTO	BALL BEARING	LAGER	ROULEMENT
36	146 0877 000	1	LEVA CON PERNO	LEVER W/PIN	HEBEL	LEVER
37	145 1209 000	1	RULLO	BELT TENSIONER ROLLER	ROLLE	ROULEAU
38#	33005786	1	COPIGLIA	SPLIT PIN	SPLINT	GOUPILLE
39	145 9666 000	1	FORCELLA	FORK	GABELSTUECK	FOURCHETTE
40	146 0997 000	1	LEVA SPAZZOLA CENTRALE	LEVER MAIN BROOM	HEBEL	LEVER
41	146 0975 000	1	POMELLO LEVA	KNOB	KUEGELGRIFF	BOULE
42	145 9769 000	1	TESTA SNODATA	ARTICULATED HEAD	GELENKKOPF	ROTULE
43#	145 9578 000	1	MOLLA LEVA SPAZZOLA	SPRING	FEDER	RESSORT
44#	xxxxxxxxxx	1	RONDELLA PIANA	WASHER FLAT	BEILAGSCHEIBE	RONDELLE
45	xxxxxxxxxx	2	RONDELLA PIANA	WASHER FLAT	BEILAGSCHEIBE	RONDELLE
46	xxxxxxxxxx	1	RONDELLA PIANA	WASHER FLAT	BEILAGSCHEIBE	RONDELLE
47#	xxxxxxxxxx	1	DADO ES. M10	NUT HEX M10	MUTTER	ECROU
48	146 0996 000	1	BARRA FILETTATA M10	BAR	STANGE	BARRE
49#	xxxxxxxxxx	1	DADO ES.AUTOBLOC.M10	NUT HEX SELF LOCK M10	MUTTER	ECROU
50	xxxxxxxxxx	2	DADO ES.M10	NUT HEX M10	MUTTER	ECROU
51	146 0998 000	1	LEVA	LEVER	HEBEL	LEVER



2003-04	GRUPPO SPAZZOLA CENTRALE / MAIN BROOM ASSEMBLY	BOOK F		
2007-06	SR 1300H B	F	6.3.1	23

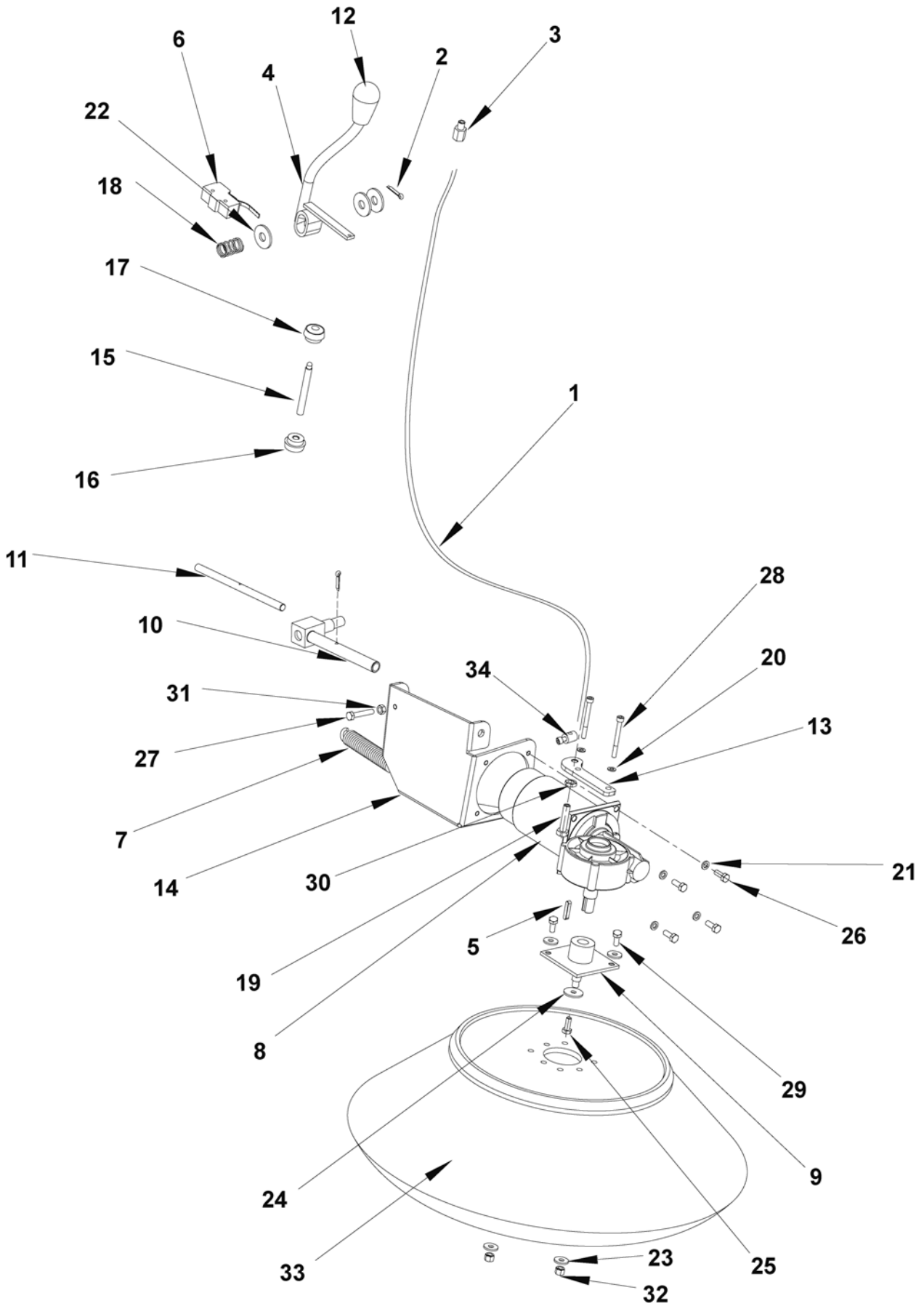
Pos Item Bild Rép	Codice Ref. No. Art. Nr. Réf. No	Q.tà Qty Menge Qté	Descrizione	Description	Beschreibung	Désignation
52	146 0999 000	1	LEVA	LEVER	HEBEL	LEVER
53	145 9679 000	1	MICROINTERRUTTORE	MICROSWITCH	MIKROSCHALTER	MICROINTERRUPTEUR
54	146 0949 000	1	STAFFA DI SUPPORTO	SUPPORT	HALTER	SUPPORT
55#	xxxxxxxxxx	2	VITE M6X20	SCREW M6X20	SCHRAUBE	VIS
56	146 1168 000	1	GOMMAPROT.SPAZ.CENTR.	GASKET	DICHTUNG	JOINT
57	145 0262 000	1	MOLLA	SPRING	FEDER	RESSORT
58A#	146 1238 000	1	KIT REGOLAZIONE SPAZZOLA	KIT BROOM ADJUSTER	HAUPTKEHRWALZE REG.SATZ	KIT REGLAGE BALAI CENTRAL
59#	145 2244 000	2	VOLANTINO M6X15	KNOB M6X15	HANDRAD	MOLETTE
60	146 1012 000	1	CINGHIA	BELT	RIEMEN	COURROIE
0	146 1191 000	1	KIT VITERIA SPAZZOLA CENTRALE (6,16,17,18,19,20, 21,25,29,30,33,34,44,45,46,47, 49,50,55)	MAIN BROOM ASSEMBLY HARDWARE KIT (6,16,17,18,19 ,20,21,25,29,30,33,34,44,45,46,4 7,49,50,55)	ZUSATZ SCHRAUBEN HAUPKEHRWALZE (6,16,17,18, 19,20,21,25,29,30,33,34,44,45,4 6,47,49,50,55)	KIT VIS GROUPE BALAI CENTRALE (6,16,17,18,19,20, 21,25,29,30,33,34,44,45,46,47, 49,50,55)

A: BEFORE S/N 033007702



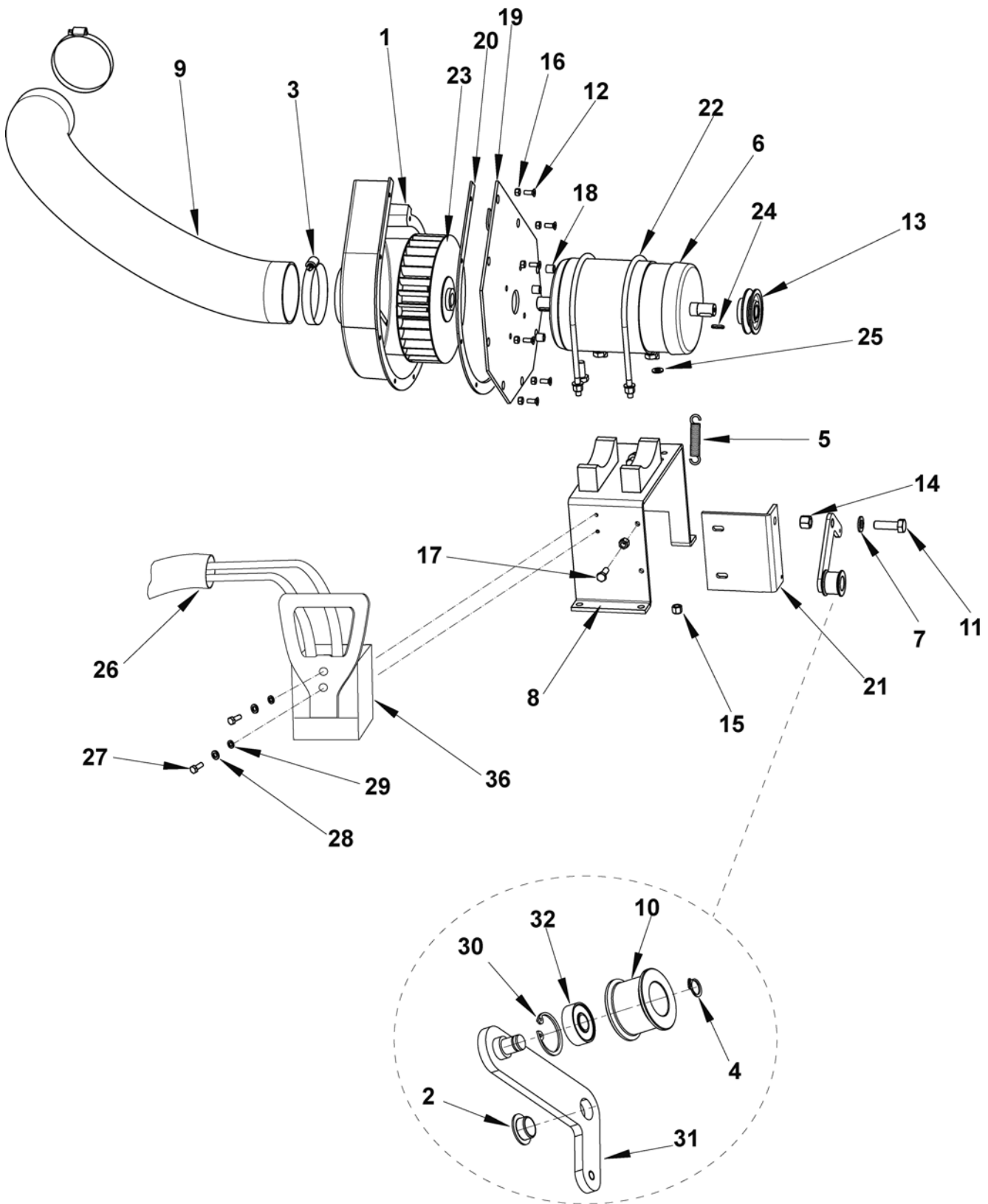
2003-04	GRUPPO SPAZ.LAT.DESTRA / RIGHT SIDE BROOM ASSEMBLY	BOOK F		
2007-06	SR 1300H B	F	6.3.1	25

Pos Item Bild Rép	Codice Ref. No. Art. Nr. Réf. No	Q.tà Qty Menge Qté	Descrizione	Description	Beschreibung	Désignation
1	146 0927 000	1	CAVO SPAZ. LATERALE	CABLE	KABEL	CABLE
2#	33005786	2	COPIGLIA	SPLIT PIN	SPLINT	GOUPILLE
3	145 9283 000	1	REGISTRO	SCREW	REGLER	VIS DE REGLAGE
4	146 0926 000	1	LEVA SPAZ. LATERALE	LEVER	HEBEL	LEVER
5	xxxxxxxxxx	1	LINGUETTA	TAB	KEILNUT	CLAVETTE
6	145 9679 000	1	MICROINTERRUPTORE	MICROSWITCH	MIKROSCHALTER	MICROINTERRUPTEUR
7	146 0986 000	1	MOLLA SPAZ. LATERALE	SPRING	FEDER	RESSORT
8	146 1039 000	1	MOTORIDUTTORE DX 90W 24V	REDUCTION GEAR MOTOR	VERMINDERUNGSGETRIEBE	MOTOREDUCTEUR
9#	146 2751 000	1	MOZZO SPAZZOLA LATERALE	HUB	NABE	MOYEU
10	145 1792 000	1	PERNO	PIN	STIFT	AXE
11	145 1951 000	1	PERNO	PIN	STIFT	AXE
12	146 0975 000	1	POMELLO LEVA	KNOB	KUEGELGRIFF	BOULE
13	145 1831 000	1	STAFFA PER RIDUTTORE	BRACKET	STANGE	BARRE
14#	1463206000	1	SUPPORTO SPAZZOLA	SUPPORT	HALTER	SUPPORT
15	145 2432 000	1	FERMO COMANDO SPAZ.	RETAINER	HALTER	SUPPORT
16	145 9754 000	1	VOLANTINO	KNOB	HANDRAD	MOLETTE
17	145 9755 000	1	VOLANTINO	KNOB	HANDRAD	MOLETTE
18#	145 9578 000	1	MOLLA	SPRING	FEDER	RESSORT
19	145 0234 000	1	REGISTRO	ADJUSTER	REGLER	VIS DE REGLAGE
20	xxxxxxxxxx	2	RONDELLA PIANA 5X10	WASHER FLAT	BEILAGSCHEIBE	RONDELLE
21#	xxxxxxxxxx	4	RONDELLA PIANA 6X12.5	WASHER FLAT	BEILAGSCHEIBE	RONDELLE
22	xxxxxxxxxx	3	RONDELLA PIANA 10X30	WASHER FLAT	BEILAGSCHEIBE	RONDELLE
23#	xxxxxxxxxx	4	RONDELLA PIANA M8	WASHER FLAT	BEILAGSCHEIBE	RONDELLE
24	xxxxxxxxxx	1	RONDELLA PIANA 6X24	WASHER FLAT	BEILAGSCHEIBE	RONDELLE
25#	xxxxxxxxxx	1	VITE TE M6X20	SCREW HEX HD M6X20	SCHRAUBE	VIS
26#	xxxxxxxxxx	4	VITE TE M6X16	SCREW HEX HD M6X16	SCHRAUBE	VIS
27#	xxxxxxxxxx	1	VITE TE M6X35	SCREW HEX HD M6X35	SCHRAUBE	VIS
28#	xxxxxxxxxx	2	VITE TCEI M5X50	SCREW M5X50	SCHRAUBE	VIS
29#	xxxxxxxxxx	2	VITE TE M8X30	SCREW M8X30	SCHRAUBE	VIS
30	xxxxxxxxxx	1	DADO M8	NUT M8	MUTTER	ECROU
31	xxxxxxxxxx	1	DADO M6	NUT M6	MUTTER	ECROU
32#	xxxxxxxxxx	2	DADO AUTOBL. M8	SELF-LOCKING M8	SELBSTSPERRENDE MUTTER	ECROU AUTOBLOQUANT
33	146 1025 000	1	SPAZZOLA LAT.PPL 1,4 STD	SIDE BRUSH PPL 1,4 STD	SEITEN BESEN PPL 1,4	BROSSE LATERAL PPL 1,4
33*	146 1148 000	1	SPAZ. LAT. SAGGINA	SIDE BRUSH NATURALE FIBRE	SEIT.BESEN MOHRENFAS.	BROSSE LATERAL VEGETAL
33*	146 1149 000	1	SPAZ. LAT. MISTO ACCIAIO	SIDE BRUSH STEEL MIX	SEIT.BESEN STAHL GEMIS.	BROSSE LAT.ACCIER MEL.
34#	145 9366 000	1	MORSETTO FISSACAVO D8	CABLE CLAMP	KABEL SCHELLE	COLLIER
0	145 5125 000	1	CARBONCINO (PER MOTORIDUTTORE 146 1039 000)	CARBON BRUSH (FOR RED. GEAR MOT. 146 1039 000)	KOHLENBUERSTE (FUER VERMINDER. 146 1039 000)	CHARBON (POUR MOTOREDUCT. 146 1039 000)
0	146 1192 000	1	KIT VITERIA SPAZZOLA LATERALE (5,20,21,22,23,24,25,26,27,28,29,30,31,32)	SIDE BROOM HARDWARE KIT (5,20,21,22,23,24,25,26,27,28,29,30,31,32)	ZUSATZ SCHRAUBEN SEITEN BESEN (5,20,21,22,23,24,25,26,27,28,29,30,31,32)	KIT VIS BROSSE LATERAL (5,20,21,22,23,24,25,26,27,28,29,30,31,32)(5,20,21,22,23,24,25,26,27,28,29,30,31,32)



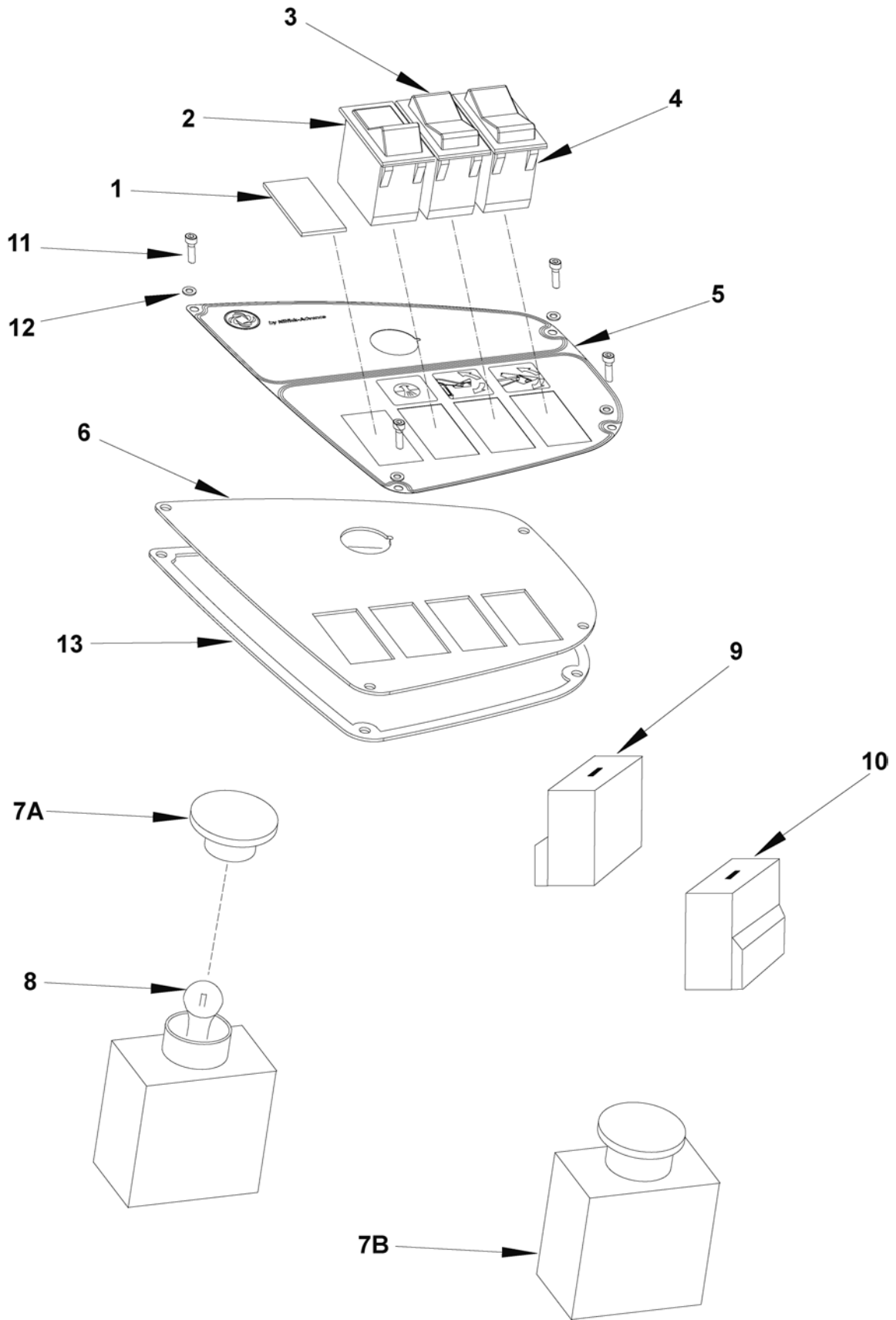
2003-04	GRUPPO SPAZ.LAT.SINISTRA / LEFT SIDE BROOM ASSEMBLY	BOOK F		
2007-06	SR 1300H B	F	6.3.1	27

Pos Item Bild Rép	Codice Ref. No. Art. Nr. Réf. No	Q.tà Qty Menge Qté	Descrizione	Description	Beschreibung	Désignation
1	146 1133 000	1	CAVO SPAZ. LATERALE	CABLE	KABEL	CABLE
2#	33005786	2	COPIGLIA	SPLIT PIN	SPLINT	GOUPILLE
3	145 9283 000	1	REGISTRO	SCREW	REGLER	VIS DE REGLAGE
4	146 1132 000	1	LEVA SPAZ. LATERALE SX	LEVER	HEBEL	LEVER
5	xxxxxxxxxx	1	LINGUETTA	TAB	KEILNUT	CLAVETTE
6	145 9679 000	1	MICROINTERRUPTORE	MICROSWITCH	MIKROSCHALTER	MICROINTERRUPTEUR
7	146 0986 000	1	MOLLA SPAZ. LATERALE	SPRING	FEDER	RESSORT
8#	146 1135 000	1	MOTORIDUTTORE DX 90W 24V	REDUCTION GEAR MOTOR	VERMINDERUNGSGETRIEBE	MOTOREDUCTEUR
9#	146 2751 000	1	MOZZO SPAZZOLA LATERALE	HUB	NABE	MOYEU
10	145 1792 000	1	PERNO	PIN	STIFT	AXE
11	145 1951 000	1	PERNO	PIN	STIFT	AXE
12	146 0975 000	1	POMELLO LEVA	KNOB	KUEGELGRIFF	BOULE
13	145 1831 000	1	STAFFA PER RIDUTTORE	BRACKET	STANGE	BARRE
14#	1463207000	1	SUPPORTO SPAZZOLA SX	SUPPORT	HALTER	SUPPORT
15	145 2432 000	1	FERMO COMANDO SPAZ.	RETAINER	HALTER	SUPPORT
16	145 9754 000	1	VOLANTINO	KNOB	HANDRAD	MOLETTE
17	145 9755 000	1	VOLANTINO	KNOB	HANDRAD	MOLETTE
18#	145 9578 000	1	MOLLA	SPRING	FEDER	RESSORT
19	145 0234 000	1	REGISTRO	ADJUSTER	REGLER	VIS DE REGLAGE
20	xxxxxxxxxx	2	RONDELLA PIANA	WASHER FLAT	BEILAGSCHEIBE	RONDELLE
21#	xxxxxxxxxx	4	RONDELLA PIANA	WASHER FLAT	BEILAGSCHEIBE	RONDELLE
22	xxxxxxxxxx	3	RONDELLA PIANA	WASHER FLAT	BEILAGSCHEIBE	RONDELLE
23#	xxxxxxxxxx	4	RONDELLA PIANA M8	WASHER FLAT	BEILAGSCHEIBE	RONDELLE
24	xxxxxxxxxx	1	RONDELLA PIANA	WASHER FLAT	BEILAGSCHEIBE	RONDELLE
25	xxxxxxxxxx	1	VITE TE 6X16	SCREW HEX HD 6X16	SCHRAUBE	VIS
26#	xxxxxxxxxx	4	VITE TE 6X16	SCREW HEX HD 6X16	SCHRAUBE	VIS
27#	xxxxxxxxxx	1	VITE TE 6X35	SCREW HEX HD 6X35	SCHRAUBE	VIS
28#	xxxxxxxxxx	2	VITE TCEI 5X50	SCREW 5X50	SCHRAUBE	VIS
29#	xxxxxxxxxx	2	VITE TSPEI M8X25	SCREW M6X25	SCHRAUBE	VIS
30	xxxxxxxxxx	1	DADO M8	NUT M8	MUTTER	ECROU
31	xxxxxxxxxx	1	DADO M6	NUT M6	MUTTER	ECROU
32#	xxxxxxxxxx	2	DADO AUTOBL. M8	SELF-LOCKING M8	SELBSTSPERRENDE MUTTER	ECROU AUTOBLOQUANT
33	146 1025 000	1	SPAZZOLA LAT.PPL 1,4 STD	SIDE BRUSH PPL 1,4 STD	SEITEN BESEN PPL1,4	BROSSE LATERAL PPL 1,4
33*	146 1148 000	1	SPAZ. LAT. SAGGINA	SIDE BRUSH NATURALE FIBRE	SEIT.BESEN MOHRENFAS.	BROSSE LATERAL VEGETAL
33*	146 1149 000	1	SPAZ. LAT. MISTO ACCIAIO	SIDE BRUSH STEEL MIX	SEIT.BESEN STAHL GEMIS.	BROSSE LAT.ACCIER MEL.
34#	145 9366 000	1	MORSETTO FISSACAVO D8	CABLE CLAMP	KABEL SCHELLE	COLLIER
0	145 5125 000	2	CARBONCINO (PER MOTORIDUTTORE 146 1135 000)	CARBON BRUSH (FOR RED. GEAR MOT. 146 1135 000)	KOHLENBUERSTE (FUER VERMINDER. 146 1135000)	CHARBON (POUR MOTOREDUCT. 146 1135 000)
0	146 1192 000	1	KIT VITERIA SPAZZOLA LATERALE (5,20,21,22,23,24,25,26,27,28,29, 30,31,32)	SIDE BROOM HARDWARE KIT (5,20,21,22,23,24,25,26,27,28,29, 30,31,32)	ZUSATZ SCHRAUBEN SEITEN BESEN (5,20,21,22,23,24,25,26,27,28,29, 30,31,32)	KIT VIS BROSSE LATERALE (5,20,21,22,23,24,25,26,27,28,29, 30,31,32)



2003-04	GRUPPO MOTORIZZAZIONE EL. / EL. MOTOR ASSEMBLY	BOOK F		
2007-06	SR 1300H B	F	6.3.1	29

Pos Item Bild Rép	Codice Ref. No. Art. Nr. Réf. No	Q.tà Qty Menge Qté	Descrizione	Description	Beschreibung	Désignation
1	146 0966 000	1	CHIOCCIOLA VENTILATORE	SCROLL FAN	VENTILATOR SCHNECKE	PELLETEUSE VENTILATEUR
2	146 0883 000	1	CUSCINETTO	BALL BEARING	LAGER	ROULEMENT
3	146 1056 000	2	FASCETTA	CLAMP	PASSRING	COLLIER
4#	xxxxxxxxxx	1	SEEGER	SEEGER	SICHERUNGSRING	CIRCLIPS
5	145 9991 000	1	MOLLA	SPRING	FEDER	RESSORT
6	146 0835 000	1	MOTORE ELETTRICO 24V	ELECTRIC MOTOR 24V	ELEKTRISCHE MOTOR 24V	MOTEUR ELECTRIQUE 24V
7#	xxxxxxxxxx	1	RONDELLA PIANA	WASHER FLAT	BEILAGSCHEIBE	RONDELLE
8	146 0867 000	1	SUPPORTO MOTORE EL.	SUPPORT	HALTER	SUPPORT
9	146 1013 000	1	TUBO ASPIRAZIONE	HOSE INLET	SAUGSCHLAUCH	TUYAU D'ASPIRATION
10	xxxxxxxxxx	1	RULLO TENDICINGHIA	BELT TENSIONER ROLLER	RIEMEN SPANNERROLLE	ROULEAU TEND.COURROIE
11	xxxxxxxxxx	1	VITE TE M12X40	SCREW HEX HD M10X40	SCHRAUBE	VIS
12#	xxxxxxxxxx	8	VITE TSPEI M6X16	SCREW	SCHRAUBE	VIS
13	146 1014 000	1	PULEGGIA	PULLEY	SCHEIBE	POULIE
14	xxxxxxxxxx	1	DADO	NUT	MUTTER	ECROU
15#	xxxxxxxxxx	6	DADO	NUT	MUTTER	ECROU
16#	xxxxxxxxxx	8	DADO	NUT	MUTTER	ECROU
17#	xxxxxxxxxx	2	VITE TE 8X16	SCREW HEX HD 8X16	SCHRAUBE	VIS
18	xxxxxxxxxx	4	DISTANZIALE	SPACER	ABSTANDSTUECK	ENTRETOISE
19	146 0968 000	1	PIASTRA SUPPORTO	PLATE	PLATTE	PLAQUE
20	146 1109 000	1	GUARNIZIONE VENTOLA	GASKET	DICHTUNG	JOINT
21	146 0868 000	1	SUPPORTO TENDICINGHIA	BELT TENSIONER SUPPORT	HALTER	SUPPORT
22	146 0970 000	2	COLLARE FISSAGGIO MOT.	COLLAR MOTOR FIXING	SHELLE	COLLIER
23	146 0869 000	1	VENTOLA	FAN	VENTILATOR	VENTILATEUR
24	145 9773 000	2	CHIAVETTA	KEY	KEIL	CLAVETTE
25#	xxxxxxxxxx	6	RONDELLA PIANA	WASHER FLAT	BEILAGSCHEIBE	RONDELLE
26	146 0849 000	1	CABLAGGIO BATTERIA	BATTERY HARNESS	BATTERIE LITZENSSET	CABLAGE DE BATTERIE
27#	xxxxxxxxxx	2	VITE 6X30	SCREW 6X30	SCHRAUBE	VIS
28#	xxxxxxxxxx	2	RONDELLA SPACCATA	WASHER	BEILAGSCHEIBE	RONDELLE
29	xxxxxxxxxx	2	RONDELLA PIANA	WASHER FLAT	BEILAGSCHEIBE	RONDELLE
30#	xxxxxxxxxx	1	SEEGER	SEEGER	SICHERUNGSRING	CIRCLIPS
31	146 0871 000	1	BRACCIO TENDICINGHIA	BELT TENSIONER ARM	ARM RIEMENSANNER	BRAS
32	145 9186 000	1	CUSCINETTO	BALL BEARING	LAGER	ROULEMENT
0	145 5042 000	4	CARBONCINO (PER MOTORE 146 0835 000)	CARBON BRUSH (FOR MOTOR 146 0835 000)	KOHLNBUERSTE (FUER MOTORE 146 0835 000)	CHARBON (POUR MOTEUR 146 0835 000)
36#	145 6063 000	1	CONNETTORE BATTERIA	CONNECTOR	BATTERIE STECKER	PRISE
0	146 1193 000	1	KIT VITERIA MOTORE ELETTRICO (4,7,10,11,12,14,15, 16,17,18,25, 27,28,29,30)	ELECTRIC MOTOR HARDWARE KIT (4,7,10,11,12,1 4,15,16,17,18,25, 27,28,29,30)	ZUSATZ SCHRAUBEN ELEK. MOTOR (4,7,10,11,12,14,15,16,1 7,18,25, 27,28,29,30)	KIT VIS MOTEUR ELECTRIQUE (4,7,10,11,12,14,15,16,17,18,25, 27,28,29,30)

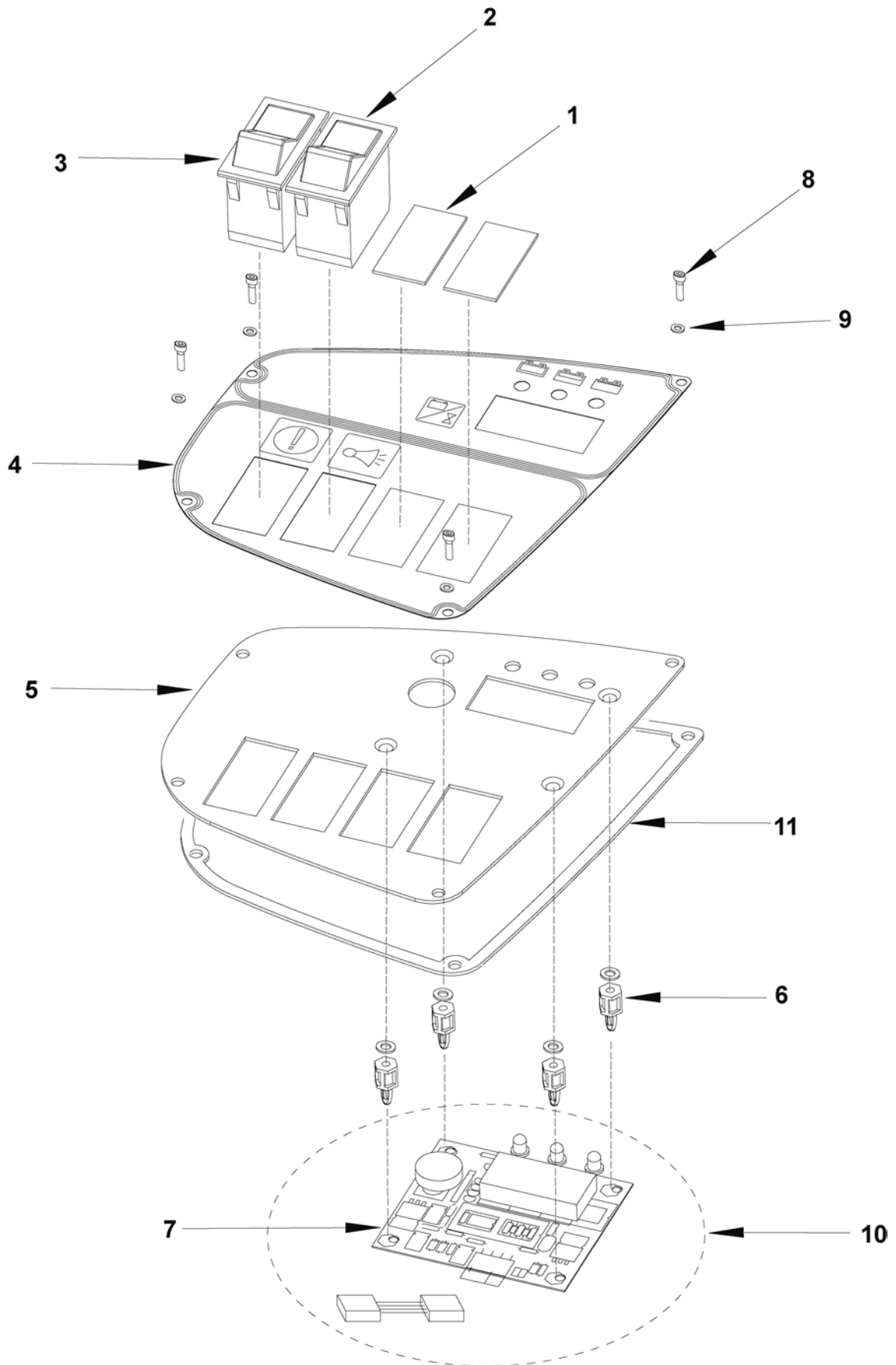


2003-04	PLANCIA DESTRA / RIGHT CONTROL PANEL ASSEMBLY	BOOK F		
2007-06	SR 1300H B	F	6.3.1	31

Pos Item Bild Rép	Codice Ref. No. Art. Nr. Réf. No	Q.tà Qty Menge Qté	Descrizione	Description	Beschreibung	Désignation
1	146 1284 000	1	TAPPO	CAP	PFPROPFEN	BOUCHON
2#	146 0845 000	1	INTERRUTTORE SCUOTIFILTRO	FILFER SHAKER SWITCH	FILTERRUETTEL SCHALTER	INTERRUPTEUR FILT. SECOUER
3	146 0846 000	1	PULSANTE SOLL.CASSONE	WASTE CONT. LIFTING SWITCH	SCHALTER	INTERRUPTEUR
4	146 0847 000	1	PULSANTE RIBALT.CASSONE	WASTE CONT.ROTATING SWITCH	SCHALTER	INTERRUPTEUR
5#	146 2070 000	1	SERIGRAFIA PLANCIA DX	DECAL CONTROL PANEL	SCHALTTAFELFELD FOLIE	SERIGRAPHIE TABL.DE BORD
6	146 1021 000	1	PLANCIA DX	CONTROL PANEL RIGHT	SCHALTTAFELFELD RECHT	TABEAU DE BORD
7a	145 8884 000	1	INTERRUTTORE D'EMERGENZA	SAFETY SWITCH	NOTSTAND SCHALTER	INTERRUPTEUR D'URGENCE
7B#	146 1727 000	1	INTERRUTTORE D'EMERGENZA	SAFETY SWITCH	NOTSTAND SCHALTER	INTERRUPTEUR D'URGENCE
8A	145 1233 000	1	LAMPADINA 24V 3W	LAMP 24V 3W	LAMPE	LAMPE
9A	145 8890 000	2	CONTATTO	CONTACT	KONTAKT	CONTACT
9B#	146 1730 000	1	CONTATTO	CONTACT	KONTAKT	CONTACT
10A	145 8889 000	1	CONTATTO	CONTACT	KONTAKT	CONTACT
10B#	146 1728 000	1	CONTATTO	CONTACT	KONTAKT	CONTACT
11	145 0572 000	4	VITE TBEI M4X10 INOX	SCREW M4X10 SS	SCHRAUBE	VIS
12#	33005911	4	RONDELLA PIANA 4X9	WASHER FLAT 4X9	BEILAGSCHEIBE	RONDELLE
13#	146 1230 000	1	GUARNIZIONE	GASKET	DICHTUNG	JOINT

A: BEFORE S/N 041604815

B: STARTING FROM S/N 041604815

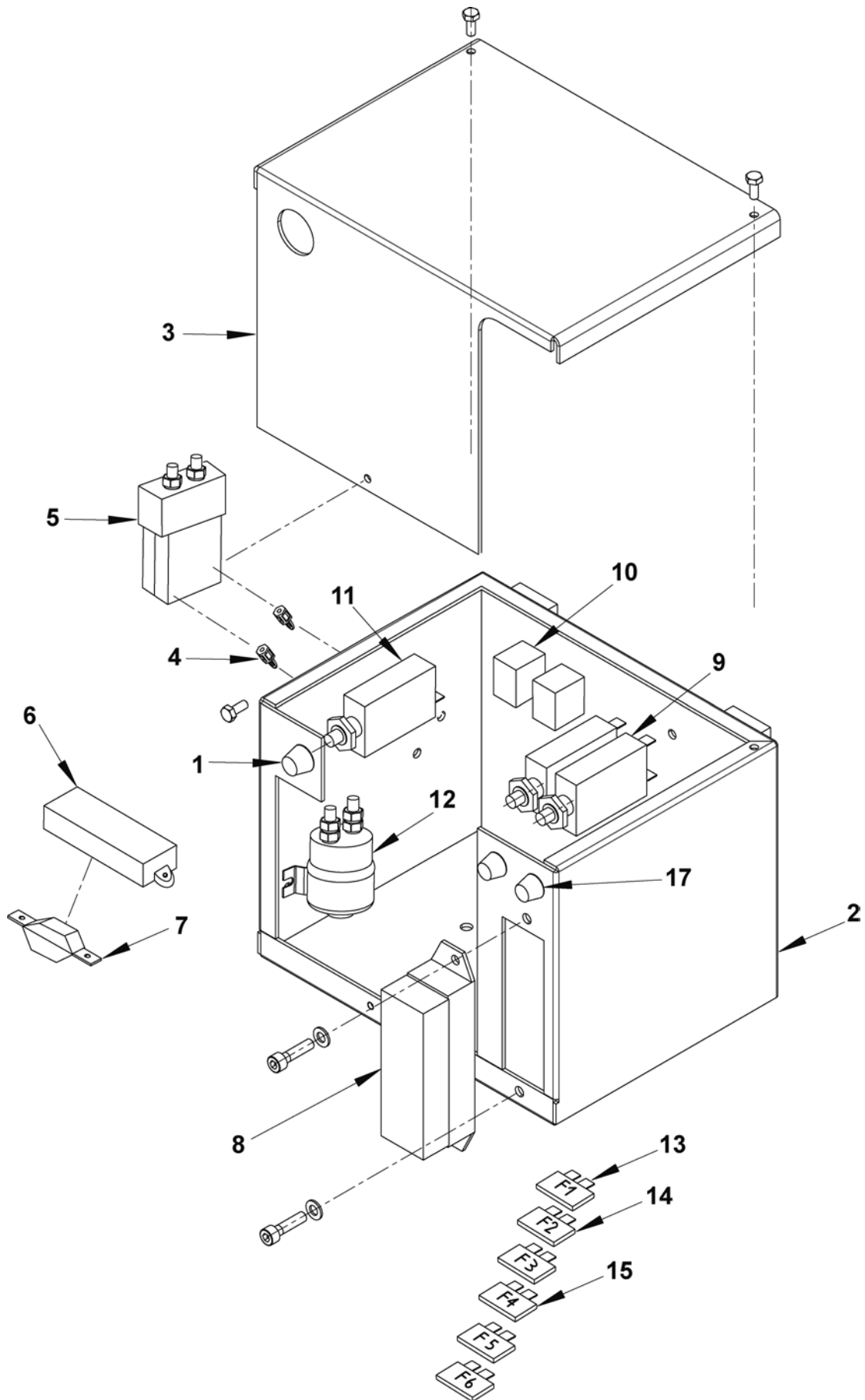


2003-04	PLANCIA SINISTRA / LEFT CONTROL PANEL ASSEMBLY	BOOK F		
2007-06	SR 1300H B	F	6.3.1	33

Pos Item Bild Rép	Codice Ref. No. Art. Nr. Réf. No	Q.tà Qty Menge Qté	Descrizione	Description	Beschreibung	Désignation
1	146 1284 000	2	TAPPO	CAP	PFRÖPFEN	BOUCHON
2	146 0845 000	1	PULSANTE CONSENSO CAS.	WASTE CONT.SAFETY SWITCH	SCHALTER SCHMUTZB. SICHER.	BOUTON
3	145 8180 000	1	PULSANTE CLACSON	HORN SWITCH	HUEPE SCHALTER	BOUTON AVERTISSEUR
4	146 1024 000	1	SERIGRAFIA PLACIA	DECAL CONTROL PANEL	SCHALTAFELFELD FOLIE	SERIGRAPHIE TABL.DE BORD
5#	146 2071 000	1	PLANCIA SX	CONTROL PANEL LEFT	SCHALTAFELFELD LINKS	TABLEAU DE BORD
6	146 0657 000	4	DISTANZIALE	SPACER	ABSTANDSTUECK	ENTRETOISE
7B#	146 1721 000	1	SCHEDA ELETTRONICA DISPLAY	ELECTRONIC CARD DISPLAY	ELEKTRONISCHE KARTE	CARTE ELECTRONIQUE
8	145 0572 000	4	VITE TBEI M4X10	SCREW M4X10	SCHRAUBE M4X10	VIS M4X10
9#	33005911	8	RONDELLA PIANA 4X9	WASHER FLAT 4X9	BEILAGSCHEIBE 4X9	RONDELLE
10A#	146 1857 000	1	KIT SCHEDA ELETTRONICA	ELECTRONIC CARD KIT	ELEKTR. KARTE SATZ	KIT CARTE ELECTRONIQUE
11#	146 1231 000	1	GUARNIZIONE	GASKET	DICHTUNG	JOINT

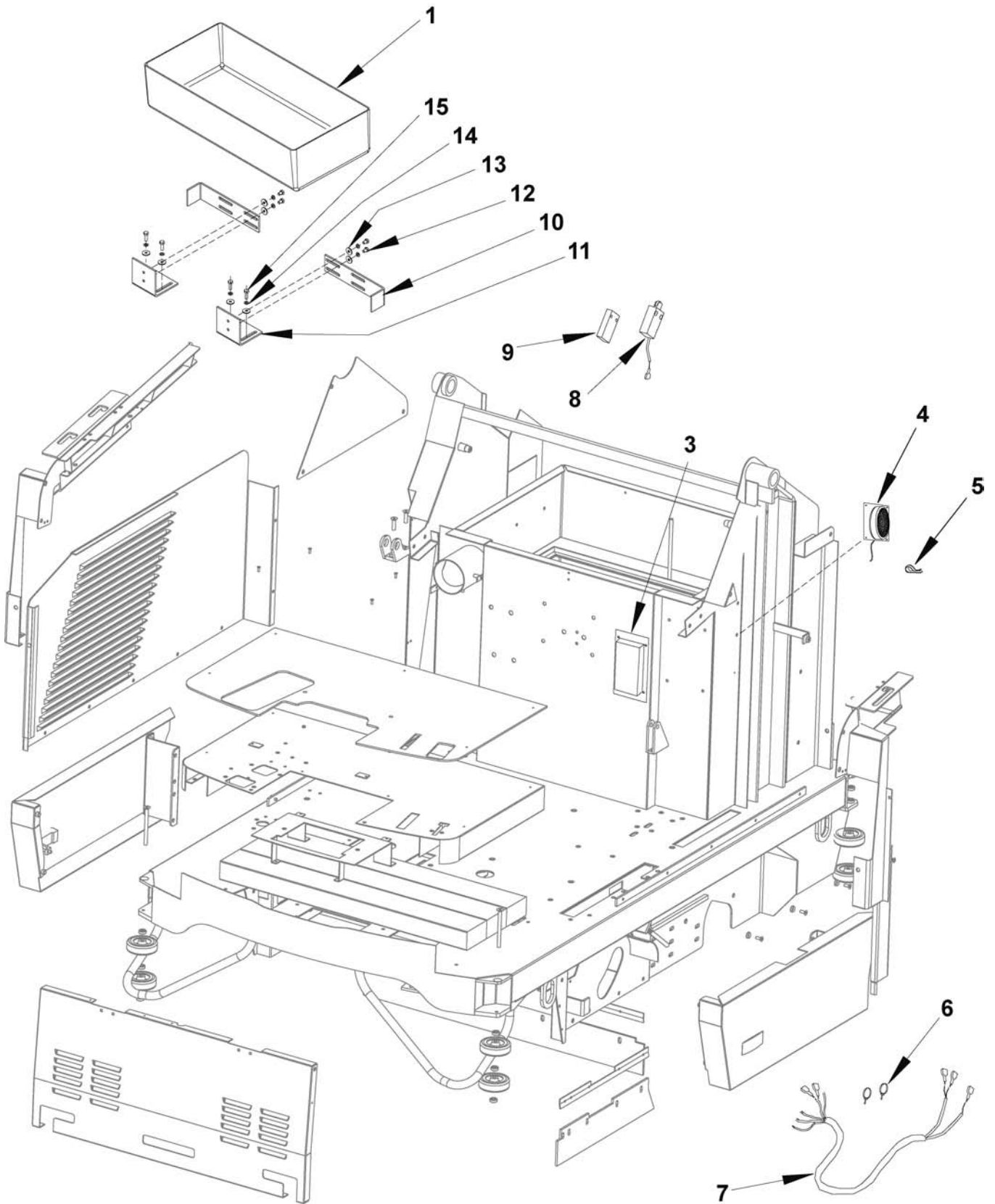
A: BEFORE S/N 041805273

B: STARTING FROM S/N 041805273



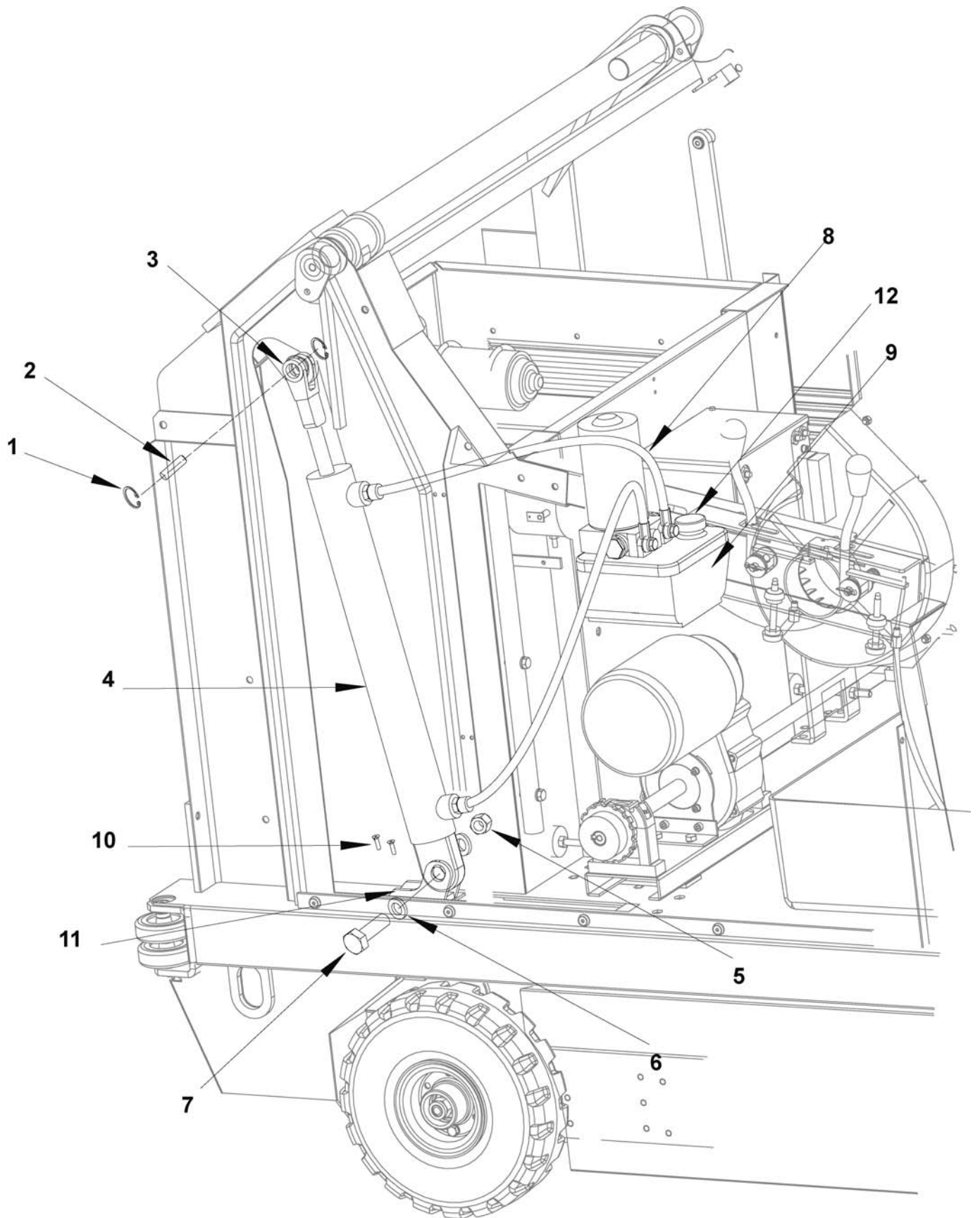
2003-04	CASSETTA ELETTRICA / ELEC.COMPONENTS BOX	BOOK F		
2007-06	SR 1300H B	F	6.3.1	35

Pos Item Bild Rép	Codice Ref. No. Art. Nr. Réf. No	Q.tà Qty Menge Qté	Descrizione	Description	Beschreibung	Désignation
1	146 0842 000	1	CAPPUCCIO DI PROTEZIONE	CAP, FUSE PROTECTION	SICHERUNGSSCHUTZKAPPE	CAPUCHON DE PROT. FUSIBLE
2	146 1002 000	1	SCATOLA COMPONENTI ELET.	BOX, ELECTRICAL COMP.	ELEK.KOMP. KASTEN	BOITE DE COMPOSANT EL.
3	146 1004 000	1	COPERCHIO SCATOLA	COVER	DECKEL	COUVERCLE
4#	146 0627 000	2	DISTANZIALE TELERUTTORE	SPACER	ABSTANDSTUECK	ENTRETOISE
5	146 0839 000	1	TELERUTTORE 24V 120A	ELECTROMAGNETIC SWITCH	SCHALTER	TELERUPTEUR
6	146 1169 000	1	PORTAFUSIBILE MEGAFUSE	MEGAFUSE HOLDER	SICHERUNGSHALTER	SUPPORT DE FUSIBLE
7	146 0840 000	1	FUSIBILE 150A MEGA	FUSE 150A MEGA	SICHERUNG 150A MEGA	FUSIBLE 150A MEGA
8	146 1170 000	1	PORTAFUSIBILE 8 VIE	FUSE HOLDER	SICHERUNGSHALTER	SUPPORT DE FUSIBLE
9	08812633	2	FUSIBILE 10A	FUSE 10A	SICHERUNG 10A	FUSIBLE 10A
10	145 3712 000	2	RELÈ 24V	RELAY 24V	RELAIS 24V	RELAIS 24V
11	146 0843 000	1	FUSIBILE 50A RIPRISTINABILE	FUSE 50A	SICHERUNG 50A	FUSIBLE 50A
12	145 0300 000	1	TELERUTTORE 24V 120A	ELECTROMAGNETIC SWITCH	SCHALTER	TELERUPTEUR
13#	145 9853 000	2	FUSIBILE 15A (F1-F4)	FUSE 15A(F1-F4)	SICHERUNG 15A (F1-F4)	FUSIBLE 15A (F1-F4)
14#	146 1776 000	1	FUSIBILE 20A (F2)	FUSE 20A (F2)	SICHERUNG 20A (F2)	FUSIBLE 20A (F2)
15#	146 0068 00	3	FUSIBILE 10A (F3-F5-F6)	FUSE 10A (F3-F5-F6)	SICHERUNG 10A (F3-F5-F6)	FUSIBLE 10A (F3-F5-F6)
17	146 0841 000	1	CAPPUCCIO DI PROTEZIONE	CAP, FUSE PROTECTION	SICHERUNGSSCHUTZKAPPE	CAPUCHON DE PROT. FUSIBLE
0	146 0852 000	1	CABLAGGIO SCATOLA COMP. EL	HARNESS,EL.COMP.BOX	LITZENSET, EL.KOMP.KASTEN	CABLAGE,BOITE COMP. EL.
0	146 1194 000	1	KIT VITERIA INTERNA ESTERNA SCATOLA COMP. ELETTRICHE	KIT SCREWS INTERNAL/ EXTERNAL EL.COMP. BOX	ZUSATZ SCHRAUBEN IN/AUSS EL.KOMP.KASTEN	KIT VIS BOITIER ELECTRIQUE



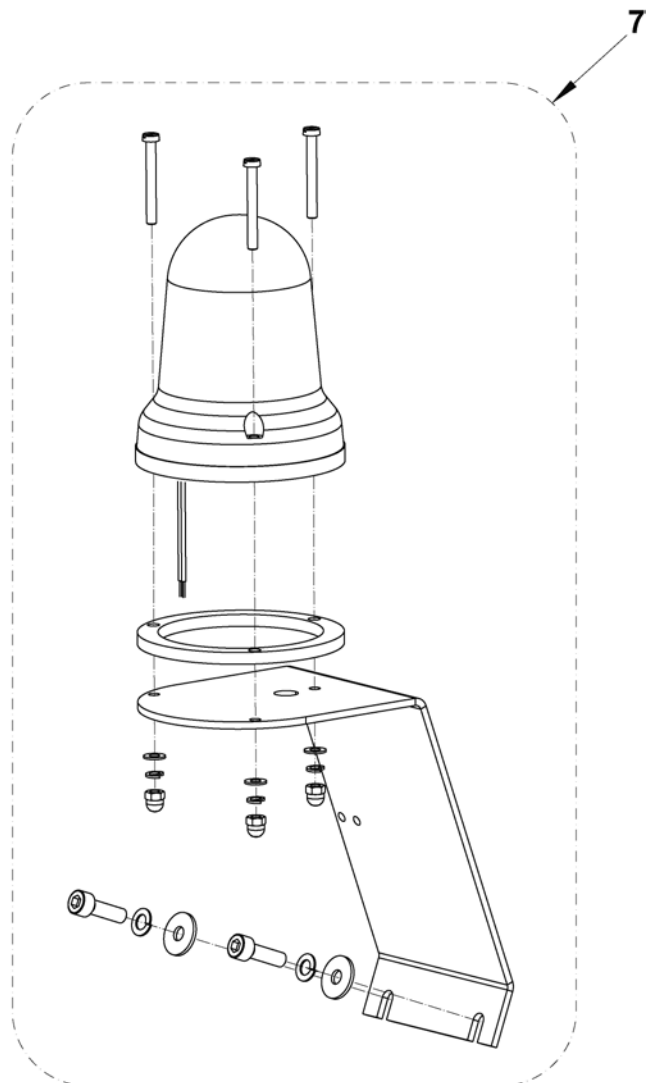
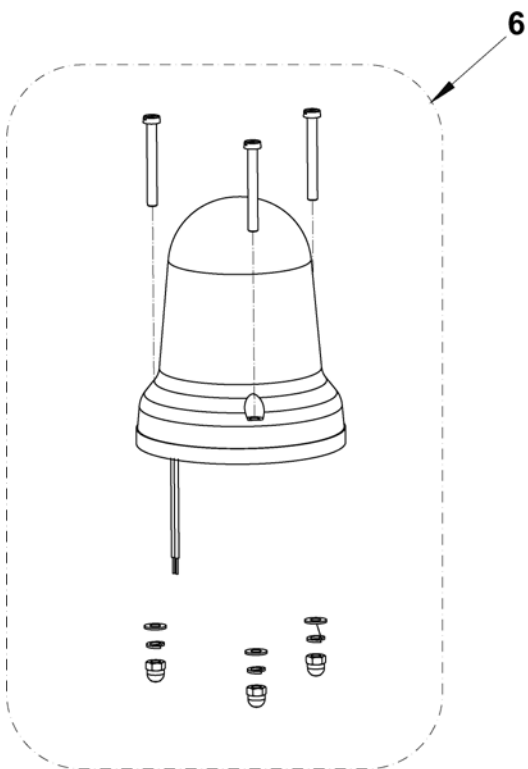
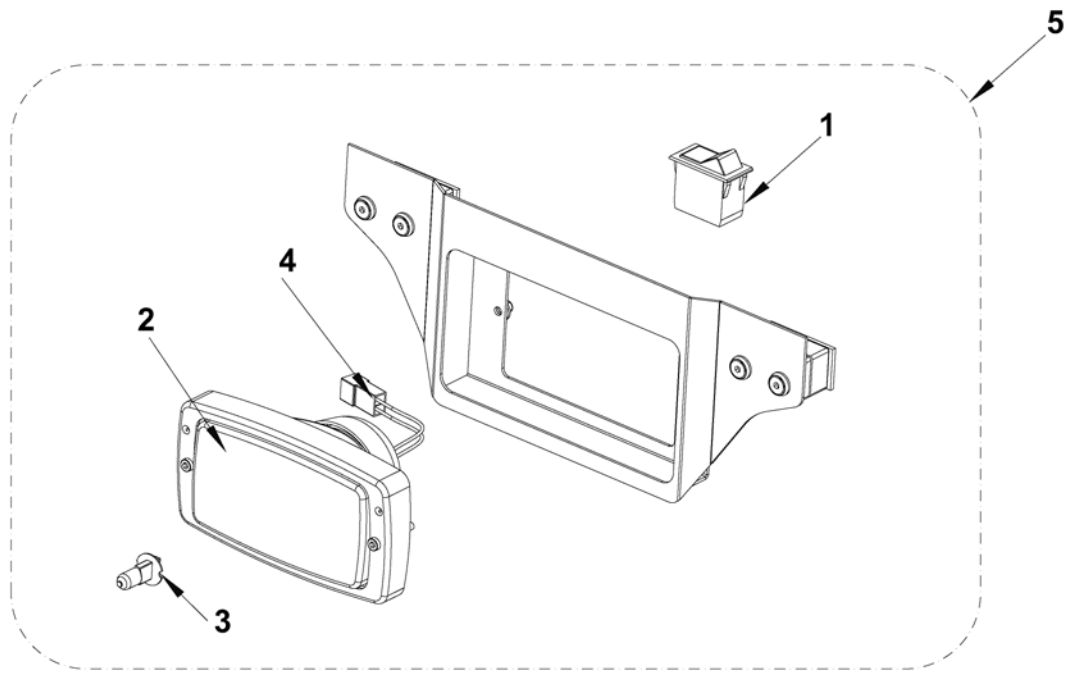
2003-04	COMPONENTI ELETTRICHE / ELECTRICAL COMPONENTS	BOOK F		
2007-06	SR 1300H B	F	6.3.1	37

Pos Item Bild Rép	Codice Ref. No. Art. Nr. Réf. No	Q.tà Qty Menge Qté	Descrizione	Description	Beschreibung	Désignation
1	145 6126 000	1	CONTENITORE BATTERIE	BATTERY CONTAINER	BATTERIE BEHAELTER	CONTENEUR BATTERIES
2#	33005445	4	VITE TE M8X25	SCREW HEX HD M8X25	SCHRAUBE	VIS
3	146 0838 000	1	SCHEDA TRAZIONE	ELECTRONIC BOARD TRACTION	PLATINE	CARTE ELECTRONIQUE
4	145 5817 000	1	SEGNALATORE ACUSTICO	BUZZER	HUEPE	AVERTISSEUR
5	08239900	1	FASCETTA STRINGICAVO	CLAMP	PASSRING	COLLIER
6	146 0987 000	1	FASCETTA AD INCASTRO	CLAMP	PASSRING	COLLIER
7#	146 1843 000	1	CABLAGGIO PRINCIPALE	HARNESS, MAIN	HAUPLITZENSET	CABLAGE
8#	146 0848 000	1	MICROINTERRUPTORE 16A 250V	MICROSWITCH 16A 250V	MIKROSCHALTER 16A 250V	MICROINTERRUPTEUR
9#	146 1130 000	1	SPESSORE MICRO	SPACER	ABSTANDSTUECK	ENTRETOISE
10#	146 1182 000	2	ANGOLARE SUPERIORE	SUPPORT UPPER	HALTER	SUPPORT
11#	146 1178 000	2	ANGOLARE INFERIORE	SUPPORT LOWER	HALTER	SUPPORT
12#	33003991	4	VITE TE M8X12	SCREW HEX HD M8X12	SCHRAUBE	VIS
13#	08300000	8	RONDELLA PIANA 8X24	WASHER FLAT 8X24	BEILAGSCHEIBE	RONDELLE
14#	33005842	8	RONDELLA E.SPACCATA 8	WASHER 8	BEILAGSCHEIBE	RONDELLE



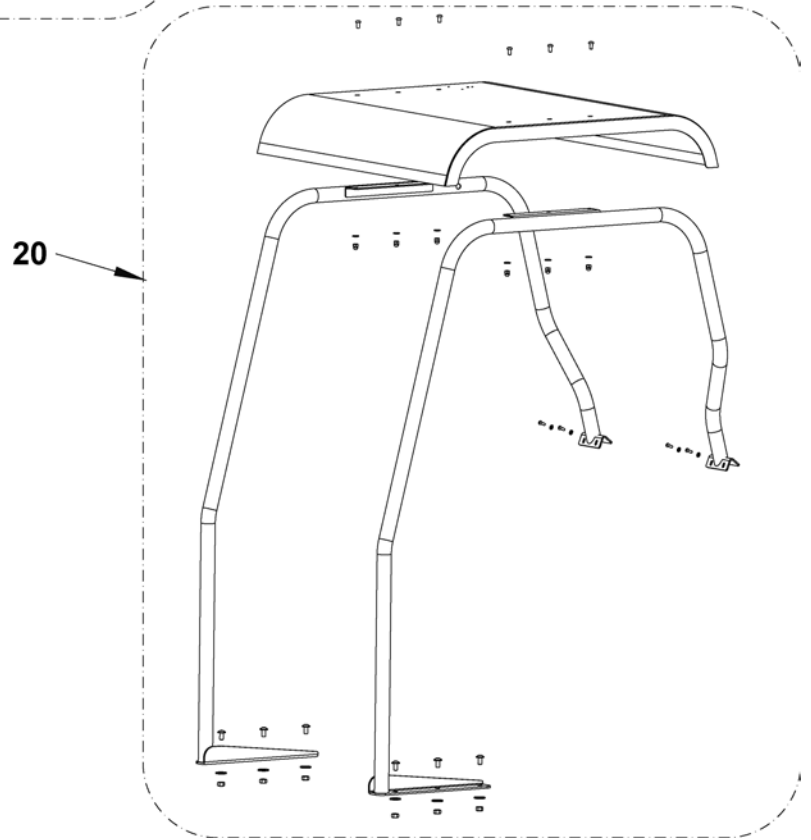
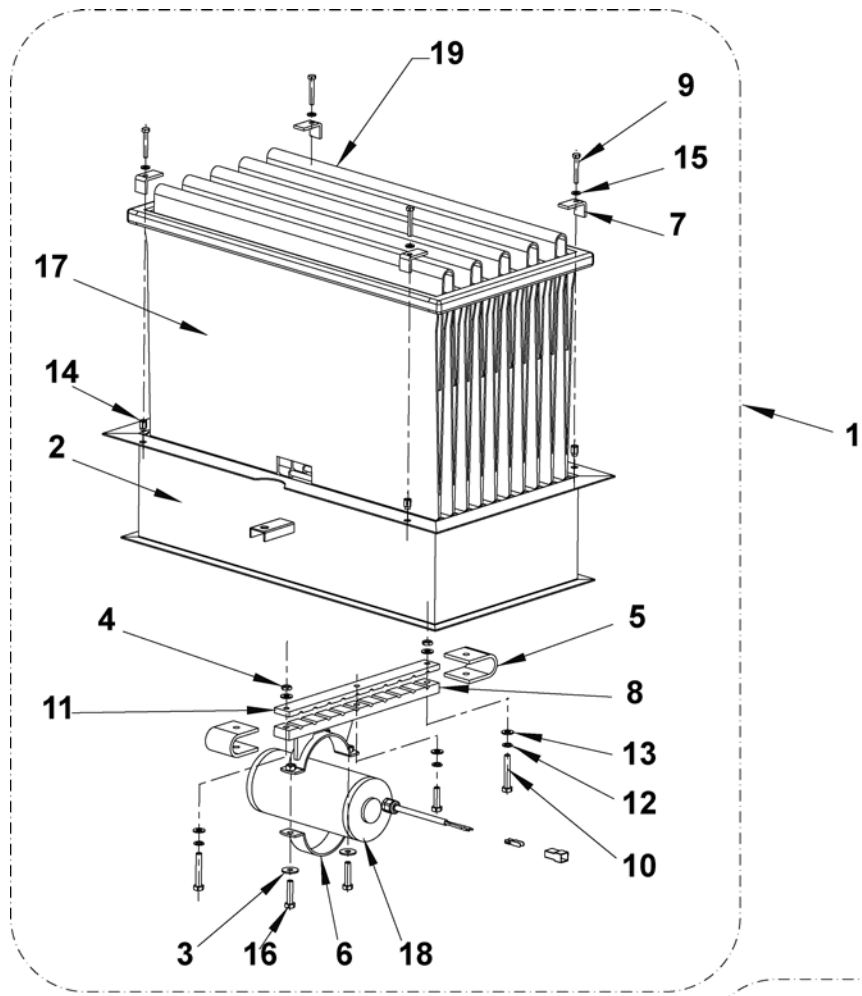
2003-04	SISTEMA IDRAULICO / HYDRAULIC SYSTEM	BOOK F		
2007-06	SR 1300H B	F	6.3.1	39

Pos Item Bild Rép	Codice Ref. No. Art. Nr. Réf. No	Q.tà Qty Menge Qté	Descrizione	Description	Beschreibung	Désignation
1	145 9356 000	2	SEEGER E16	RETAINING RING	SICHERUNGSRING	SIRCLIPS
2	146 1044 000	1	PERNO CILINDRO DI SOLL.	PIN	STIFT	AXE
3	146 0934 000	1	FORCELLA M16	FORK	GABELSTUECK	FOURCHETTE
4	146 0885 000	1	CILINDRO SOLL.CASSONE	CYLINDER	ZYLINDER	CYLINDRE
5	145 5744 000	1	DADO M16	NUT M16	MUTTER M16	ECROU
6	145 1261 000	2	RONDELLA	WASHER	BEILAGSCHEIBE	RONDELLE
7	146 1171 000	1	VITE TCEI 16X36	SCREW 16X36	SCHRAUBE	VIS
8	146 1042 000	2	TUBO	HOSE	SCHLAUCH	TUYAU
9	146 0921 000	1	CENTRALINA IDRAULICA 24V	GEARCASE HYDRAULIC	HYDRAULISCHE PUMPE	DISTRIBUTEUR HYDRAULIC
10#	33004594	2	VITE TSPEI M8X30	SCREW M8X30	SCHRAUBE M8X30	VIS M8X30
11#	146 0884 000	1	SUPPORTO CIL. SOLLEVAMENTO	SUPPORT	HALTER	SUPPORT
12#	146 1868 000	1	TAPPO ROSSO	CAP RED	PFROPFEN ROT	BOUCHON



2003-04	ACCESSORI / ACCESSORIES	BOOK F		
2007-06	SR 1300H B	F	6.3.1	41

Pos Item Bild Rép	Codice Ref. No. Art. Nr. Réf. No	Q.tà Qty Menge Qté	Descrizione	Description
1#	146 1167 000	1	INTERRUTTORE	SWITCH
2#	146 1196 000	1	FARO DI LAVORO	WORKING LIGHT
3#	146 1198 000	1	LAMPADINA	LAMP
4#	146 2179 000	1	CABLAGGIO	HARNES
5#	146 6218 000	1	KIT FARO DI LAVORO	KIT WORKING LIGHT
6#	146 2098 000	1	KIT GIROFARO PER TETTuccio	KIT LIGHT BEACON FOR OVER HEAD GUARD
7#	146 1157 000	1	GIROFARO	KIT LIGHT BEACON

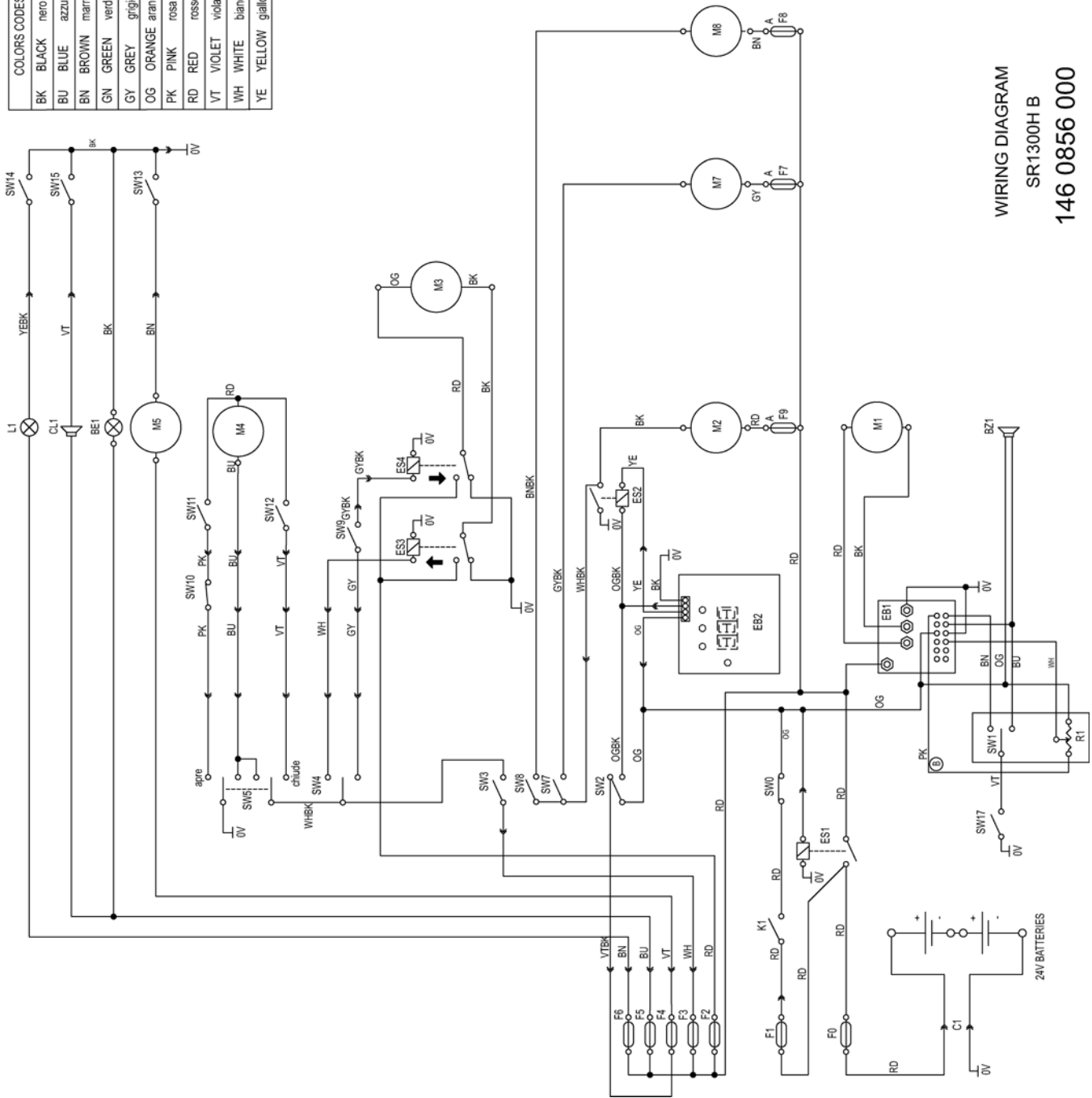


2003-04	ACCESSORI / ACCESSORIES	BOOK F		
2007-06	SR 1300H B	F	6.3.1	43

Pos Item Bild Rép	Codice Ref. No. Art. Nr. Réf. No	Q.tà Qty Menge Qté	Descrizione	Description
1#	146 1202 000	1	KIT FILTRO A SACCHE	CLOTH POCKET FILTER KIT
2#	146 1662 000	1	SUPPORTO FILTRO A SACCHE	SUPPORT
3#	xxxxxxx	2	RONDELLA PIANA 8X24	WASHER
4#	xxxxxxx	2	DADO E.BASSO M8	NUT
5#	146 1314 000	2	GOMMA ANTIURTO	RUBBER
6#	146 1663 000	1	COLLARE MOTORE SCUOTILTRO	CLAMP
7#	146 1664 000	4	STAFFA FISSAGGIO FILTRO	BRACKET
8#	146 1665 000	1	SUPPORTO MOTORE SCUOTIFILTRO	SUPPORT
9#	xxxxxxx	4	VITE TE M6X40	SCREW
10#	xxxxxxx	2	VITE TE M8X55	SCREW
11#	146 1666 000	1	PIASTRA MOTORE SCUOTIFILTRO	PLATE
12#	xxxxxxx	3	RONDELLA	WASHER
13#	xxx xxxx xx	5	RONDELLA PIANA	WASHER
14#	xxx xxxx xxx	4	INSERTO M6	INSERT
15#	xxxxxxx	4	RONDELLA PIANA	WASHER
16#	xxxxxxx	3	VITE TE M8X35	SCREW
17#	146 1239 000	1	FILTRO A SACCHE COMPLETO	CLOTH POCKET FILTER
18#	146 1217 000	1	MOTORE SCUOTIFILTRO	FILTER SHAKER
19#	146 1674 000	1	SEPARATORE	SEPARATOR
20#	146 2093 000	1	KIT TETTuccio	KIT OVER HEAD GUARD

COMPONENTS	
BE1	BEACON (OPT)
BZ1	BUZZER
C1	BATTERIES CONNECTOR
EB1	TRACTION BOARD
EB2	DISPLAY BOARD
ES1	LINE EL SWITCH
ES2	C. BRUSH EL SWITCH
ES3	PUMP EL SWITCH (UP)
ES4	PUMP EL SWITCH (DOWN)
F0	MAIN FUSE (150A)
F1	KEY FUSE (15A)
F2	PUMP FUSE (20A)
F3	ACTUATOR FUSE (10A)
F4	SHAKER FUSE (15A)
F5	SERV/CEFS FUSE (10A)
F6	WORKING LIGHT FUSE (OPT) (10A)
F7	R BRUSH CIRCUIT BREAKER
F8	L BRUSH CIRCUIT BREAKER (OPT)
F9	MAIN BRUSH CIRCUIT BREAKER
K1	KEY SWITCH
L1	R LIGHT (OPT)
L2	L LIGHT (OPT)
L3	WORKING LIGHT (OPT)
M1	DRIVE MOTOR
M2	MAIN BRUSH MOTOR
M3	PUMP
M4	ACTUATOR
M5	SHAKER MOTOR
M7	R BRUSH MOTOR
M8	L BRUSH MOTOR (OPT)
R1	DRIVE POT.
SW0	EMERGENCY STOP SWITCH
SW1	DRIVE FW-REW MODE SWITCH
SW2	M. BRUSH SWITCH
SW3	HOPPER SAFETY SWITCH
SW4	HOPPER UP-DOWN SWITCH
SW5	HOPPER OPEN-CLOSE SWITCH
SW8	L BRUSH SWITCH (OPT)
SW9	ORZ. HOPPER MICROSW.
SW10	UP HOPPER MICROSW.
SW11	OPEN HOPPER MICROSW.
SW12	CLOSE HOPPER MICROSW.
SW13	SHAKER SWITCH
SW14	LIGHTS SWITCH (OPT)
SW15	CLACSON SWITCH
SW16	WORKING LIGHT SWITCH (OPT)
SW17	SAFETY SWITCH (SEAT)

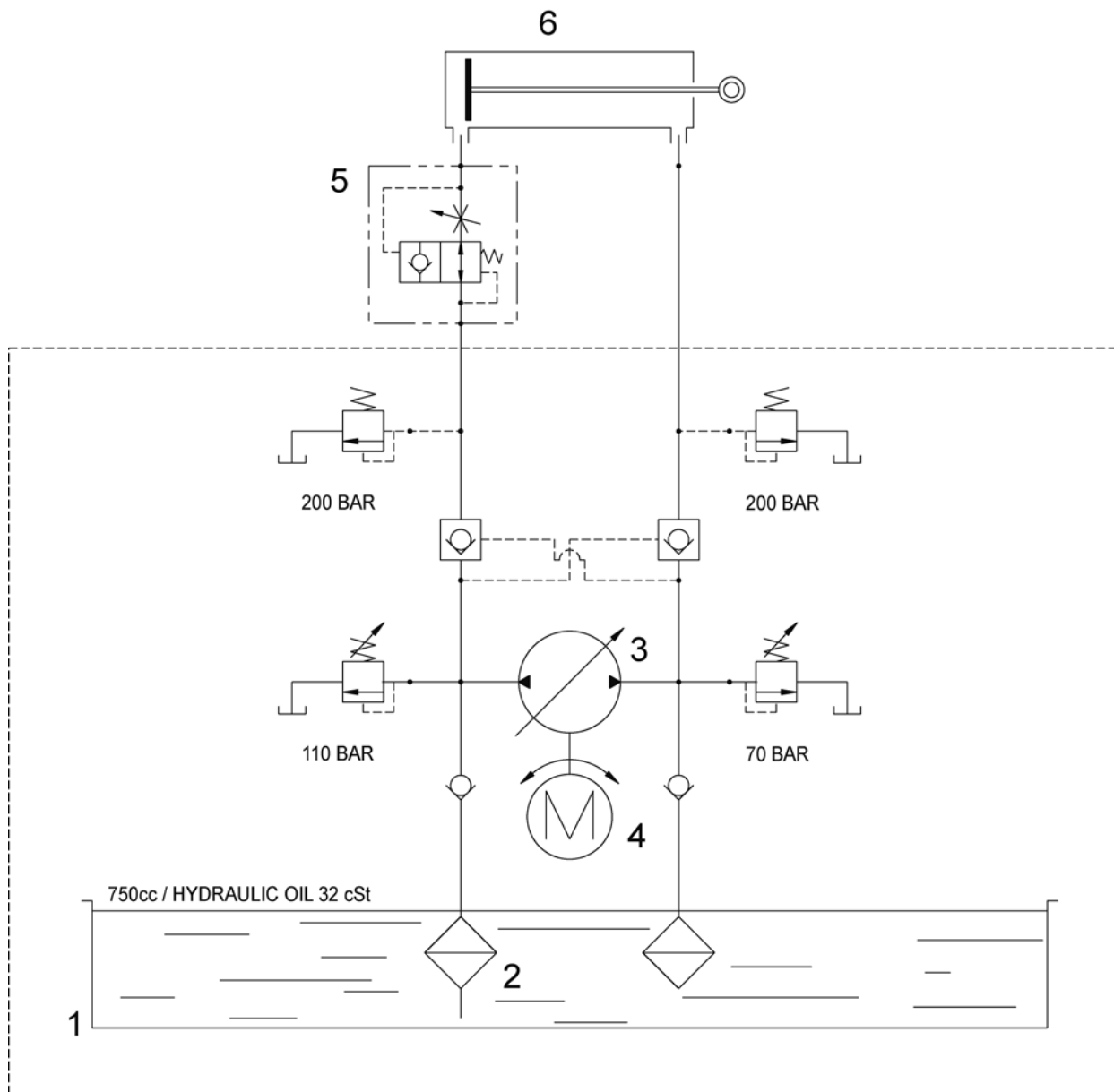
COLORS CODES	
BK	BLACK
BU	BLUE
BN	BROWN
GN	GREEN
GY	GREY
OG	ORANGE
PK	PINK
RD	RED
VT	VIOLET
WH	WHITE
YE	YELLOW



WIRING DIAGRAM
SR1300H B
146 0856 000

LEGENDA / KEY

- | |
|--|
| 1) SERBATOIO OLIO IDRAULICO / HYDRAULIC OIL TANK |
| 2) FILTRO OLIO IDRAULICO / HYDRAULIC OIL FILTER |
| 3) POMPA IDRAULICA / HYDRAULIC PUMP |
| 4) MOTORE PROPULSIVO / ENGINE |
| 5) VALVOLA PARACADUTE / HOSE BURST VALVE |
| 6) CILINDRO IDR. SOLLEV. CASSONE / DUMPER LIFTING CYLINDER |



Pos Item Bild Rép	Codice Ref. No. Art. Nr. Réf. No	Q.tà Qty Menge Qté	Descrizione	Description
			MATERIALE DI USURA	WEAR PARTS
1	145 5665 000	1	FILTRO	FILTER (PAPER)
2	145 5927 000	2	FLAP LATERALE - STD	SKIRT (STD - SIDE)
3	145 4654 000	1	FLAP POSTERIORE -STD	SKIRT (STD - REAR)
4	145 4653 000	1	FLAP ANTERIORE - STD	SKIRT (STD - FRONT)
5	146 1018 000	1	SPAZZOLA CENTR.STD 3 RANGHI 300X800 MM PPL	MAIN BROOM 3 ROWS Ø 300X800 MM PPL
6	146 1025 000	1	SPAZZOLA LAT.STD 3 RANGHI 280X500 MM PPL	SIDE BROOM 3 ROWS Ø 280X500 MM PPL
7	146 1153 000	1	KIT MATERIALE DI CONSUMO (SPAZZOLE CENTR/LATERALI/ FLAP/FILTRO STANDARD)	KIT CONSUMABLES (STD MAIN/SIDE BROOMS, FILTER, SKIRTS)
			MANUTENZIONE ORDINARIA	ORDINARY MAINTENANCE
8	146 1158 000	1	GUARNIZIONE ADESIVA	GASKET
9	146 1159 000	2	GUARNIZIONE LATERALE CASSONE	HOPPER GASKET SIDE
10	146 1160 000	1	GUARNIZIONE POSTERIORE CASSONE	HOPPER GASKET REAR
11	146 0882 000	1	GUARNIZIONE CASSONE ANTERIORE	HOPPER GASKET FRONT
12	146 1147 000	1	GUARNIZIONE COFANO	HOPPER COVER GASKET
13	145 2352 000	3	GOMMA RUOTA ANT E POST	TYRE WHEEL -FRONT & REAR
14	146 1013 000	1	TUBO ASPIRAZIONE	SUCTION TUBE
15	146 1012 000	1	CINGHIA	BELT
16	146 0855 000	1	CINGHIA	BELT
17	146 1038 000	1	CAVO ALZAFLAP	FLAP CABLE
18	145 5042 000	4	SPAZZOLE MOTORE SPAZZOLA CENTRALE	CENTRAL BROOM MOTOR CARBON BRUSHES
19	145 9864 000	4	SPAZZOLE MOTORE TRAZIONE	DRIVE MOTOR CARBON BRUSHES
20	145 5125 000	2	SPAZZOLE MOTORE SPAZZOLA LATERALE	SIDE BROOM MOTOR CARBON BRUSHES
			MANUTENZIONE STRAORDINARIA	EXTRAORDINARY MAINTENANCE
21	145 1784 000	1	CATENA	CHAIN 3/8 68 PITCHES
22	146 1114 000	2	CATENA	CHAIN 1/2 -5/16 97PITCHES
23	146 1039 000	1	MOTORIDUTTORE SPAZZOLA LATERALE	SIDE BROOM MOTOR+GEAR BOX
24	145 9679 000	1	MICROINTERRUTTORE LEVA SPAZZOLA LATERALE	MICROSWITCH SIDE BROOM LEVER
25	145 9679 000	1	MICROINTERRUTTORE LEVA SPAZZOLA CENTRALE	MICROSWITCH CENTRAL BROOM LEVER
26	146 0844 000	1	SCHEMA CONTROLLO PEDALE	PEDAL CONTROL BOARD
27	146 0838 000	1	SCHEMA ELETTRONICA TRAZIONE	DRIVE ELECTRONIC BOARD
28	146 0991 000	1	CAVO BLOCCO FRENO	BREAK CABLE
29	146 0929 000	1	MARTINETTO CASSONE	HOPPER JACK MOTOR
30	146 0848 000	2	MICROINTERRUTTORE CASSONE	HOPPER MICROSWITCH
31	146 1042 000	1	TUBO IDRAULICO	HYDRAULIC HOSE
32	146 0840 000	1	FUSIBILE 150 A	FUSE 150 A
33	08812633	1	FUSIBILE RIPRISTINABILE 10A	CIRCUIT BREAKER 10A
34	146 0843 000	1	FUSIBILE RIPRISTINABILE 50A	CIRCUIT BREAKER 50A
35	145 9852 000	1	FUSIBILE 5 A	FUSE 5 A
36	146 0068 00	3	FUSIBILE 10 A	FUSE 10 A
37	146 0839 000	1	TELERUTTORE PRINCIPALE	PRIMARY ELECTROMAGNETIC SWITCH
38	145 0300 000	1	TELERUTTORE SPAZZOLA CENTRALE	CENTRAL BROOM ELECTROMAGNETIC SWITCH
39	145 3712 000	2	RELÉ POMPA IDRAULICA	PUMP ELECTROMAGNETIC SWITCH
40	146 1857 000	1	SCHEMA DISPLAY	DISPLAY CONTROL CARD
41	146 1721 000	1	SCHEMA DISPLAY	DISPLAY CONTROL CARD
43	145 6004 000	1	CHIAVE DI RICAMBIO	REPLACEMENT KEY

2003-04	RICAMBI CONSIGLIATI / RECOMMENDED SPARE PARTS	BOOK F		
2007-06	SR 1300H B	F	6.3.1	47

Pos Item Bild Rép	Codice Ref. No. Art. Nr. Réf. No	Q.tà Qty Menge Qté	Descrizione	Description
			ACCESSORI	OPTIONALS
44	146 1152 000	1	FLAP ANTERIORE ANTITRACCIA (GOMMA PARA-TIPO SPESSO)	NON-MARKING FRONT SKIRT (GUM RUBBER-HEAVY TYPE)
45	146 1151 000	1	FLAP POST. ANTITRACCIA (GOMMA PARA-TIPO SPESSO)	NON-MARKING REAR SKIRT (GUM RUBBER-HEAVY TYPE)
46	146 1150 000	2	FLAP LATERALE ANTITRACCIA (GOMMA PARA-TIPO SPESSO)	NON-MARKING SIDE SKIRT (GUM RUBBER-HEAVY TYPE)
47	145 6013 000	1	FILTRO IN POLIESTERE	POLYESTER FILTER
48	145 6135 000	1	SPAZZOLA CENTRALE (FIBRA NATURALE)	MAIN BROOM (NATURAL FIBER)
49	145 4963 000	1	SPAZZOLA CENTRALE (MISTO ACCIAIO)	MAIN BROOM (STEEL MIX)
50	146 1148 000	1	SPAZZOLA LATERALE (FIBRA NATURALE)	SIDE BRUSH (NATURAL FIBER)
51	146 1149 000	1	SPAZZOLA LATERALE (MISTO ACCIAIO)	SIDE BRUSH (STEEL MIX)
52	146 0329 000	1	RUOTA ANTITRACCIA ANTERIORE	NON MARKING FRONT SUPERELASTIC WHEEL
53	146 0330 000	2	RUOTE ANTITRACCIA POSTERIORE	NON MARKING REAR SUPERELASTIC WHEELS
54	146 6218 000	1	KIT FARO DI LAVORO	KIT WORKING LIGHT
55	146 2098 000	1	KIT GIROFARO PER TETTUCCIO	KIT LIGHT BEACON FOR OVER HEAD GUARD
56	146 1157 000	1	KIT GIROFARO	KIT LIGHT BEACON
57	146 1202 000	1	KIT FILTRO A SACCHE	CLOTH POCKET FILTER KIT
58	146 1153 000	1	KIT MATERIALE DI CONSUMO (SPAZZOLE CENTR/LATERALI/ FLAP/FILTRO STANDARD)	CONSUMABLES KIT (STD MAIN/SIDE BRUSHES, FILTER, FLAPS)
59	146 2093 000	1	KIT TETTUCCIO	KIT OVER HEAD GUARD



Nilfisk-Advance SpA

Registered office: Via F. Turati 16/18, 20121 Milano

Administrative office: Strada Comunale della Braglia n° 18

26862 Guardamiglio (Lodi)

www.nilfisk-advance.com

Phone: +39 0377 451124

Fax: +39 0377 51443

Printed in Italy