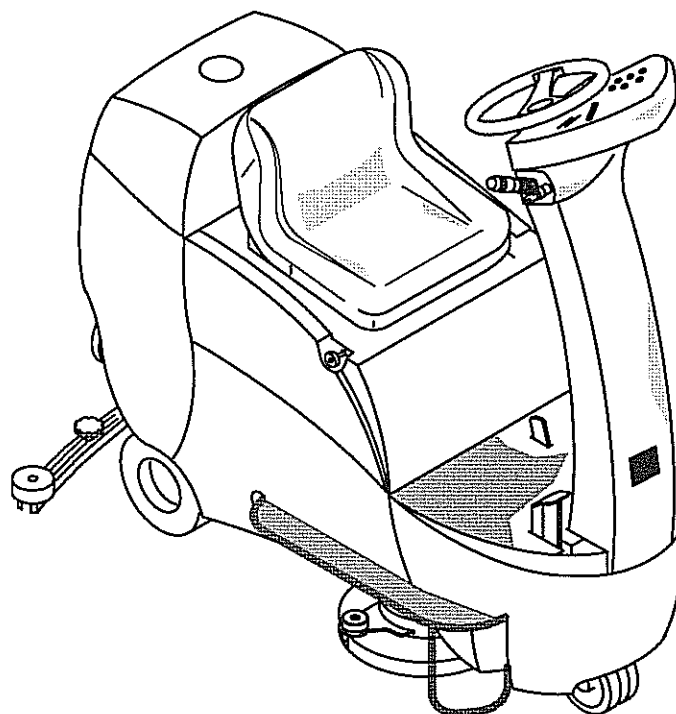


Ersatzteilliste
Liste des pièces de rechange
Spare parts list

TASKI combimat swingo 2500, 3500

| TASKI combimat | | Serie |
|----------------|---------|-------|
| 8004740 | CO 2500 | 02 |
| 8004750 | CO 3500 | 02 |

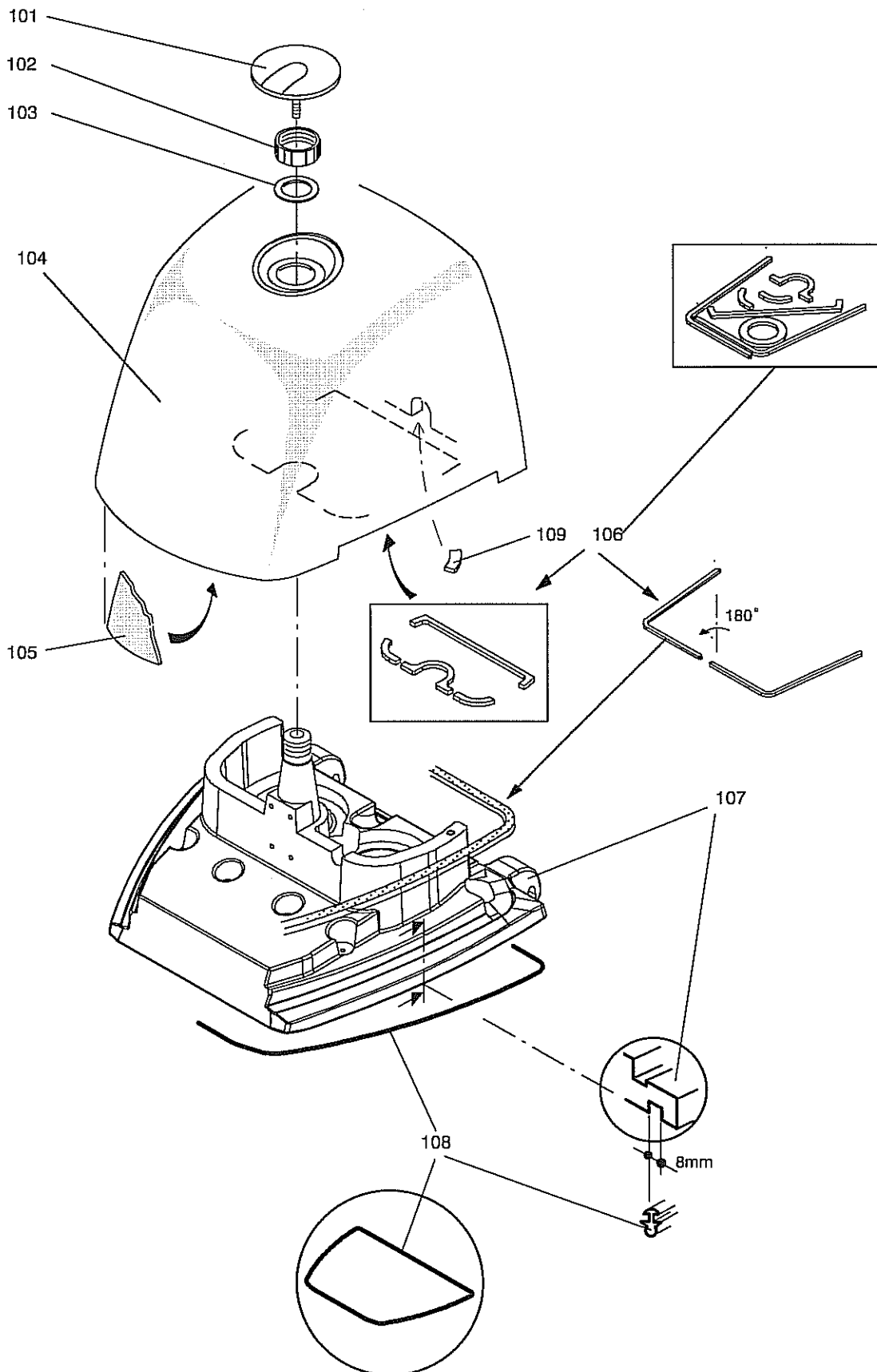


Postfach CH 9542 Münchwilen
Telefon +41 71 969 27 27 Fax +41 71 969 22 53

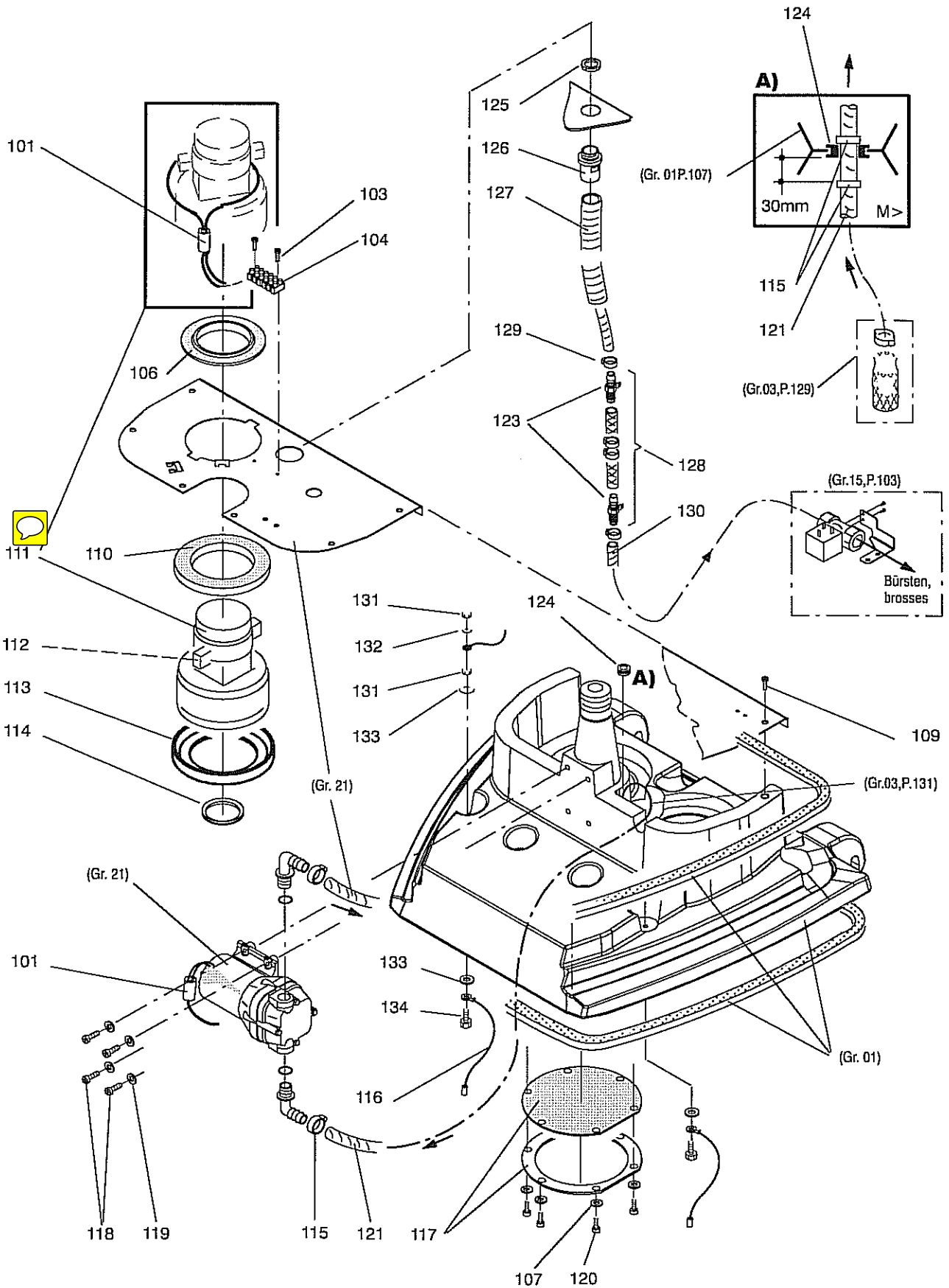
Ausführung/Execution; List(e) /6
12.06.2010 SPS

| S007190 | | | | | TASKI combimat swingo 2500,3500 | TASKI combimat swingo 2500,3500 | TASKI combimat swingo 2500,3500 |
|-------------|---------------------------------------|---------------------------------------|-------|------------------------|------------------------------------|--------------------------------------|------------------------------------|
| Pos. No. | Artikelnr. Article No. Item No. | Bestellnr. No. de com Order No. | Model | Stück. Piè. Qty. | Bezeichnung | Designation | Description |
| 1 | S004078 | | | 1.00 | Saugergehäuse | Bâti d'aspirateur | Suction hood |
| 2 | S004413 | | | 1.00 | Tankoberteil | Partie supérieure, Réservoir | Upper part, Tank |
| 3 | S004149 | | | 1.00 | Tank | Réservoir | Tank |
| 4 | S007737 | | | 1.00 | Düse 2500 | Suceur 2500 | Squeegee 2500 |
| 5 | S004117 | | | 1.00 | Düse 3500 | Suceur 3500 | Squeegee 3500 |
| 6 | S005922 | | | 1.00 | Düsenmechanik | Dispositif remontée suceur | Squeegee mechanism |
| 7 | S007738 | | | 1.00 | Düsenmechanik | Dispositif remontée suceur | Squeegee mechanism |
| 8 | S004184 | | | 1.00 | Radantrieb | Unité d'entraînement | Drive unit |
| 9 | S004123 | | | 1.00 | Antriebsaggregat | Moto-réducteur | Motor Gear |
| 10 | S004417 | | | 1.00 | Partie Batterie | Groupe Accumulateur | Battery group |
| 11 | S004087 | | | 1.00 | Lenkung | Direction | Guidance |
| 12 | S004249 | | | 1.00 | Bedienungstableau | Tableau de commande | Control board |
| 13 | S004421 | | | 1.00 | Pedale | Pédales | Pedals |
| 14 | S004257 | | | 1.00 | Bürstenabsenkung | Dispositif de brosse | Tool lowering unit |
| 15 | S004127 | | | 1.00 | Bürstenantrieb | Entraînement des brosses | Brush drive |
| 16 | S004271 | | | 1.00 | Elektroteile | Pièces électrique | Electrical parts |
| 17 | S004425 | | | 1.00 | Führersitz | Siège | Driver seat |
| 18 | S001333 | | | 1.00 | Recycling | Recycling | Recycling |
| 19 | S004406 | | | 1.00 | Entleerpumpe | Pompe de vidange | Drainage pump |
| 20 | S005660 | | | 1.00 | Warnleuchte & Zubehör | Flash de signalisation & accessoires | Warning light & accessories |
| 21 | S004401 | | | 1.00 | Pumpe | Pompe | Pump |
| 22 | S004192 | | | 1.00 | Diverse Ersatzteile | Pièces détachées diverses | Various spare parts |
| 23 | S004544 | | | 1.00 | Elektroschema | Schéma électrique | Electrical diagram |
| 24 | S004545 | | | 1.00 | Elektroschema,Anhang | Schéma électrique,extension | Electrical diagram,extension |

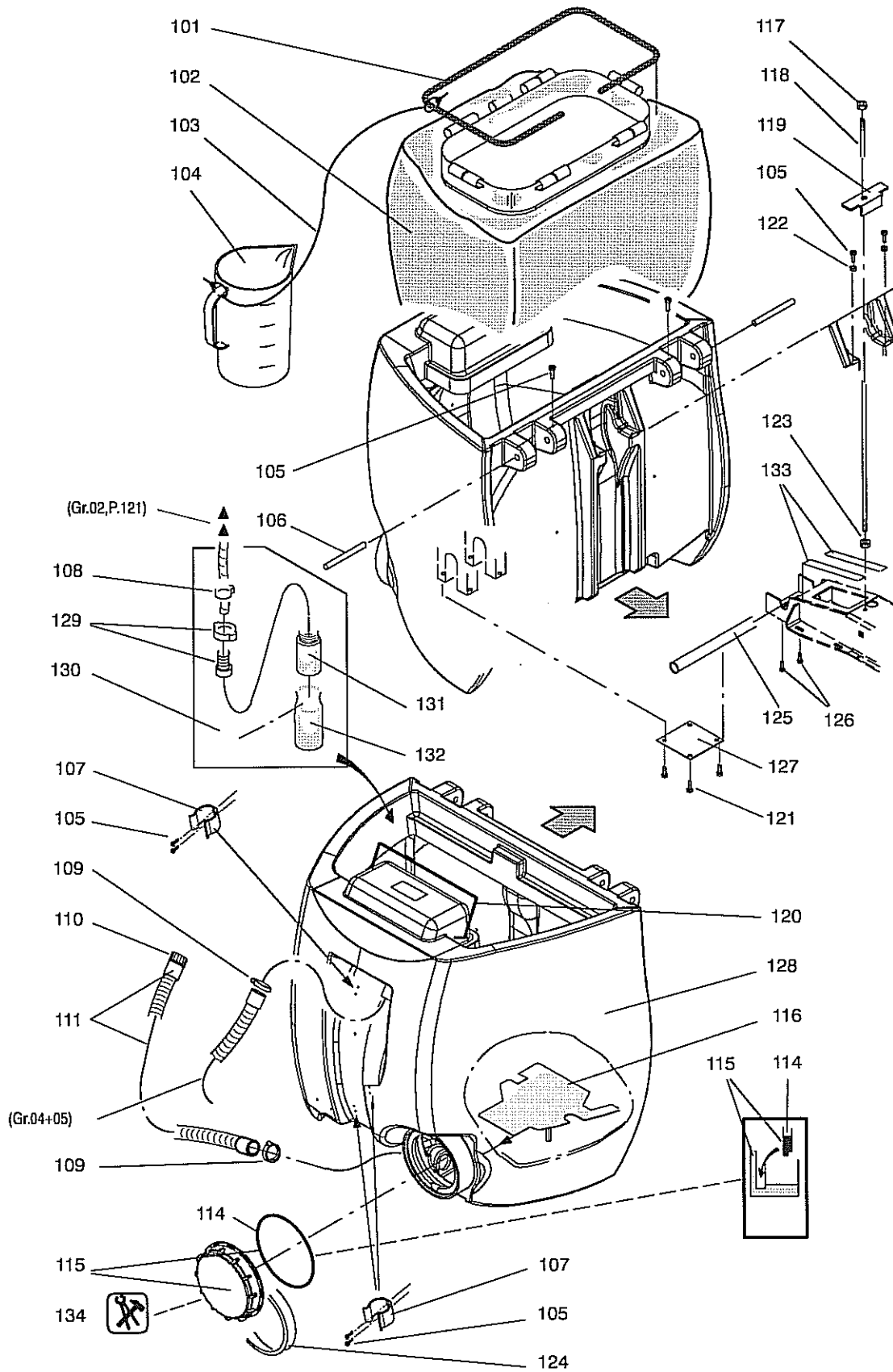
| S004078 | | | | | Saugergehäuse | Bâti d'aspirateur | Suction hood |
|----------|---------------------------------|---------------------------------|-------|-----------------|----------------------------|------------------------------|---------------------------|
| Pos. No. | Artikelnr. Article No. Item No. | Bestellnr. No. de com Order No. | Model | Stck. Pié. Qty. | Bezeichnung | Designation | Description |
| 101 | 19603-51 | 4122058 | | 1.00 | Deckel m. Gewindebolzen | Couvercle avec boulon fileté | Cover With Threaded Stud |
| 102 | 19000-65 | 4016530 | | 1.00 | Gewinding | Bague fileée | Tapped Bush |
| 103 | 19601-32 | 4122052 | | 1.00 | Scheibe 44,5/62x1,5 | Disque | Disc |
| 104 | 19607-34 | 4122074 | | 1.00 | Saugergehäuse | Capot, partie turbine swingo | Hood, Vacuum Group Swingo |
| 105 | 19601-90 | 4122060 | | 1.00 | Dämpfungssegment | Isolation phonique | Noise Absorbing Hood |
| 106 | 19604-22 | 4122543 | | 1.00 | Dichtungs Set Saugerplatte | Kit joint corps de base | Gasket Set Base Body |
| 107 | 19607-24 | 4122055 | | 1.00 | Saugerplatte | Corps de base | Base Body |
| 108 | 8662/011 | 4122549 | 1,85m | 1.00 | Dichtprofil | Joint le m | Gasket Per M |
| 109 | 19603-46 | 4122071 | | 1.00 | Dichtung | Joint | Gasket |



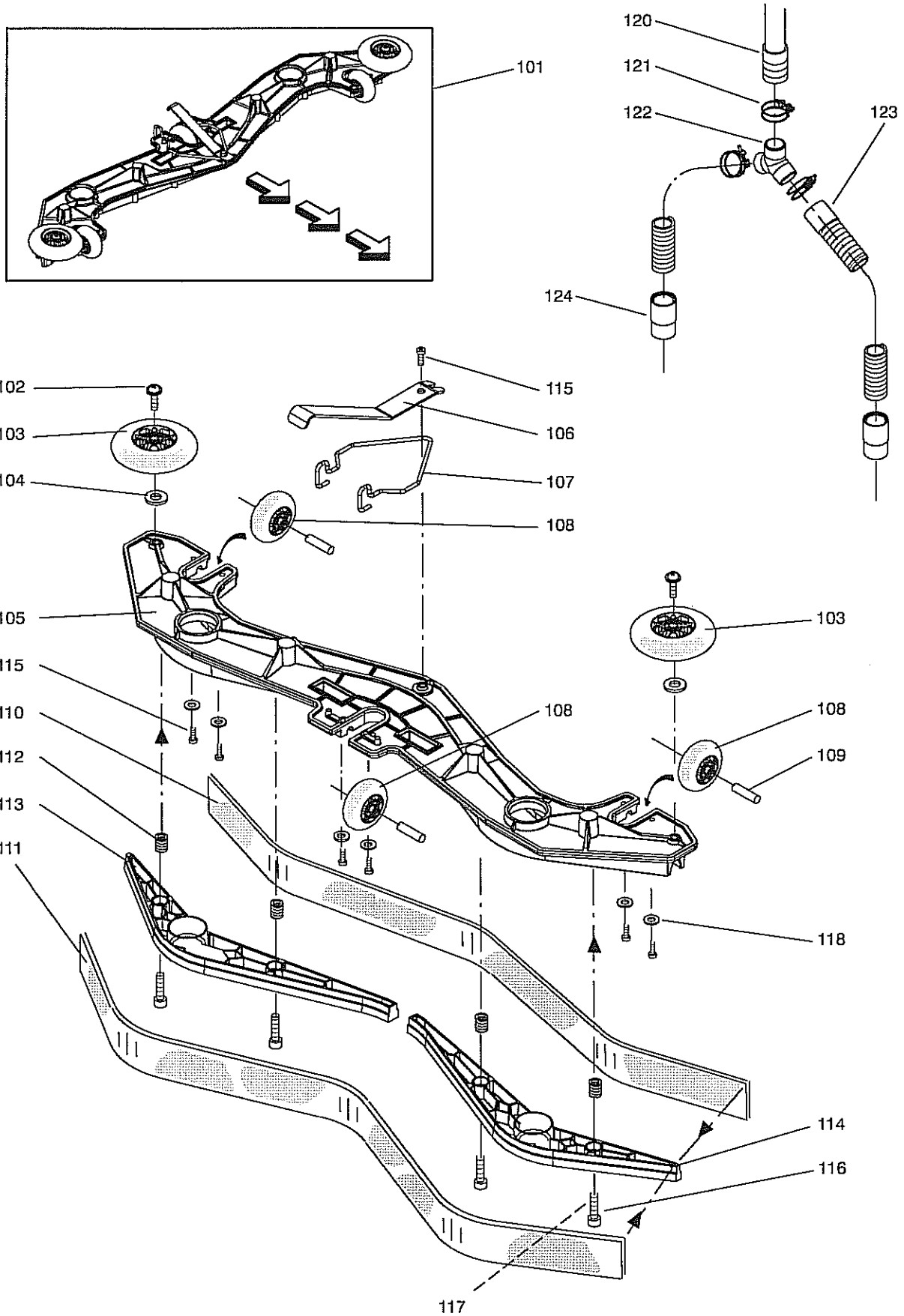
| S004413 | | | | | Tankoberteil | Partie supérieure, Réservoir | Upper part, Tank |
|----------|---------------------------------|---------------------------------|-------|-----------------|---------------------------------------|--------------------------------|-------------------------------|
| Pos. No. | Artikelnr. Article No. Item No. | Bestellnr. No. de com Order No. | Model | Stck. Plä. Qty. | Bezeichnung | Designation | Description |
| 101 | 4850/102 | 4108430 | | 2.00 | Ferrit-Ringkern 16,5/8x28 | Self à noyau torique 16,5/8 | Toroidal Choke 16,5/8x28 |
| 103 | 1207/140 | 4067140 | | 2.00 | L-Schr KS M3x16 | Vis à tête cyl. bomb. M 3x16 | Raised Cheese Hd.Screw M 3x16 |
| 104 | 4016/236 | 4122096 | | 1.00 | Klemmenleiste 6-Pol 4 mm ² | Serre-fils 6-pôles | Connection Bloc 6-Ways |
| 106 | 30015-13 | 4103350 | | 1.00 | Dichtring | Joint | Gasket |
| 107 | 1759/113 | 4093840 | | 6.00 | Unterlagscheibe 5,3/15x1,2 | Rondelle 5,3/15 | Washer 5,3/15 |
| 109 | 1840/022 | 4087930 | | 6.00 | Delta PT-Schr LK As Torx 60x16 | Vis Delta PT Torx 60x16 | Screw Delta PT Torx 60x16 |
| 110 | 17590-71 | 4100230 | | 1.00 | Dichtungsring | Anneau | Ring |
| 111 | 19603-76 | 4122521 | | 1.00 | Motorturbine 24V 545W 21,84A | Turbine 24V compl. | Vacuum Motor 24V Assy. |
| 112 | 4700/116 | 4080260 | | 2.00 | Kohlebürste | Balai charbon | Carbon Brush |
| 113 | 17604-58 | 4122676 | | 1.00 | Lagering | Entretoise de guidage | Guide Ring |
| 114 | 3007/120 | 4065090 | | 1.00 | V-Ring 40 A | Rondelle joint en V 40 | V-Seal 40 |
| 115 | 2175/7 | 4008270 | | 4.00 | Schlauchklemme 15-18 | Bride 15-18 | Hose Clamp 15-18 |
| 116 | 19602-01 | 4122061 | | 2.00 | Tanksonde | Sonde réservoir | Tank Sensor |
| 117 | 19602-48 | 4121875 | | 1.00 | Luftfilter | Disque en feutré | Filter Disc |
| 118 | 1840/019 | 4109370 | | 4.00 | PT-Schr LK KS KA50x25 | Vis pour plastique KA 50x25 | Screw For Plastic KA 50x25 |
| 119 | 1759/113 | 4093840 | | 4.00 | Unterlagscheibe 5,3/15x1,2 | Rondelle 5,3/15 | Washer 5,3/15 |
| 120 | 1840/108 | 4121992 | | 6.00 | PT-Schr LK KS KA50x16 | Vis pour plastique KA 50x16 | Screw For Plastic KA 50x16 |
| 121 | 8820/105 | 4053660 | 1,15m | 1.00 | Schlauch m Draht 12/19 | Tuyau spirale 12/19 le m | Hose W.Wire Spiral 12/19 P.M. |
| 123 | 19603-90 | 4122479 | | 2.00 | Wasserdetektor | Détecteur | Detector |
| 124 | 19603-73 | 4122430 | | 1.00 | Durchführungsstülpe 17 | Douille de passage 17 | Grommet 17 |
| 125 | 9607/105 | 4122101 | | 1.00 | Sechskantmutter Pg 29 | Contre-écrou Pg 29 | Pg 29 Lock-Nut |
| 126 | 9607/105 | 4122100 | | 1.00 | Adapter Pg 29 | Adaptateur Pg 29 | Fitting Piece Pg 29 |
| 127 | 9607/104 | 4122054 | 0,40m | 1.00 | Wellschlauch 29 | Tuyau onduleux flex. 29 le m | Corrugated Hose 29 Per M |
| 128 | 19604-19 | 4122517 | | 1.00 | Wasserdetektor kompl. | Détecteur compl. | Detector Compl. |
| 129 | 2178/12 | 4042280 | | 4.00 | Schlauchklemme 12-22 | Bride 12-22 | Hose Clamp 12-22 |
| 130 | 8820/105 | 4053660 | 0,80m | 1.00 | Schlauch m Draht 12/19 | Tuyau spirale 12/19 le m | Hose W.Wire Spiral 12/19 P.M. |
| 131 | 1660/6 | 4007270 | | 4.00 | Sechskantmutter M6 | Écrou à six pans M 6 | Hexagon Nut M 6 |
| 132 | 1759/113 | 4007580 | | 2.00 | Unterlagscheibe 6,4/12x1,6 | Rondelle 6,4/12,5 | Washer 6,4/12,5 |
| 133 | 80102-9 | 4005560 | | 4.00 | Unterlagscheibe 6,4/25x2 | Rondelle | Washer |
| 134 | 1010/168 | 4095280 | | 2.00 | 6Kl-Schr M6x25 | Vis à tête six pans M 6x25 | Hexagon Screw M 6x25 |
| | 4215/3 | 4023260 | | | Kabelbinder 200 | Bande à lier les câbles 200 mm | Cable Tie 200 mm |
| | 4215/116 | 4065440 | | | Kabelbinder 100 | Bande à lier les câbles 85 mm | Cable Tie 85 mm |



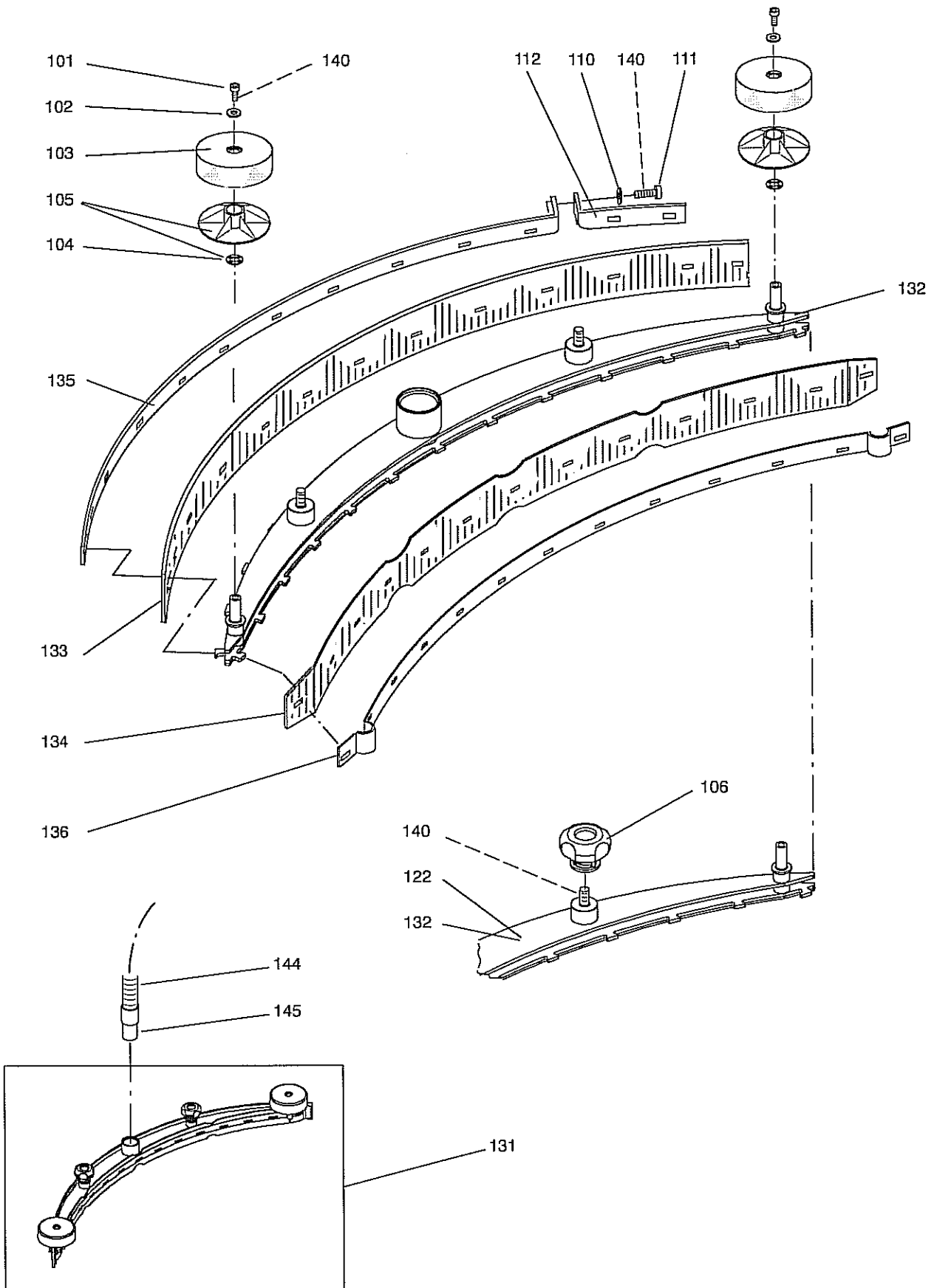
| S004149 | | | | | Tank | Réservoir | Tank |
|----------|---------------------------------|---------------------------------|-------|------------------|--------------------------------|-------------------------------|------------------------------|
| Pos. No. | Artikelnr. Article No. Item No. | Bestellnr. No. de com Order No. | Model | Stück. Plè. Qty. | Bezeichnung | Designation | Description |
| 101 | 19602-24 | 4122035 | 0,50m | 1.00 | Sackrahmen komplett | Cadre | Frame |
| 102 | 19600-43 | 4121877 | | 1.00 | Membran-Sack | Membrane pour réservoir | Tank Membrane |
| 103 | 8807/011 | 4051890 | | 1.00 | Polyesterseil 2 | Cordelette le m | Cord Per M |
| 104 | 19603-50 | 4122072 | | 1.00 | Messbecher 1L | Bottier 1,0 L | Bowlie 1,0 L |
| 105 | 1840/108 | 4121992 | | 18.00 | PT-Schr LK KS KA50x16 | Vis pour plastique KA 50x16 | Screw For Plastic KA 50x16 |
| 106 | 19600-99 | 4122048 | | 2.00 | Scharnierbolzen | Goujon de charnière | Hinged Bolt |
| 107 | 30011-06 | 4081190 | | 3.00 | Schlauchhalter | Tenon de tuyau | Hose Holder |
| 108 | 2175/8 | 4052730 | | 1.00 | Schlauchklemme 17-20 | Bride 17-20 | Hose Clamp 17-20 |
| 109 | 2177/155 | 4067100 | | 2.00 | Schlauchklemme 44 | Bride S 44 | Hose Clamp S 44 |
| 110 | 3866/104 | 4033210 | | 1.00 | Deckel Rot | Chapeau de fermeture rouge | Tapped Cap Red |
| 111 | 19601-14 | 4122051 | | 1.00 | Spiralschlauch 31,7/40,5 best | Tuyau compl. 690 | Hose Assy 690 |
| 114 | 19603-18 | 4121878 | | 1.00 | Tankdichtung | Anneau d'étanchéité | Packing Ring |
| 115 | 19602-91 | 4122068 | | 1.00 | Tankdeckel kompl. | Bouchon avec anneau d'étanch. | Cover With Packing Ring |
| 116 | 19602-79 | 4122076 | | 1.00 | Filterblech komplett | Insertion de filtre compl. | Filtering Inlet Compl. |
| 117 | 1721/6 | 4007340 | | 1.00 | Sicherungsmutter M8 | Écrou de sureté M 8 | Self-Locking Nut M 8 |
| 118 | 19601-83 | 4122059 | | 1.00 | Befestigungsstange | Tige de fixation | Spanner |
| 119 | 19601-01 | 4122049 | | 1.00 | Tankhalteprofil | Etrier de retenue | Fixation Profile |
| 120 | 19603-77 | 4122490 | | 1.00 | Stützbügel | Etrier-support | Supporting Bow |
| 121 | 1840/022 | 4087930 | | 8.00 | Delta PT-Schr LK As Torx 60x16 | Vis Delta PT Torx 60x16 | Screw Delta PT Torx 60x16 |
| 122 | 17591-22 | 4100720 | | 2.00 | Buchse 6/10x5,5 | Douille | Bush |
| 123 | 1654/7 | 4007200 | | 2.00 | Sechskantmutter M8 | Écrou à six pans M 8 | Hexagon Nut M 8 |
| 124 | 2174/118 | 4122956 | | 1.00 | Schlauchklemme 130-165 | Bride | Hose Clamp |
| 125 | 19600-98 | 4122047 | | 1.00 | Tank-Achse | Axe | Axle |
| 126 | 1132/30 | 4042650 | | 2.00 | Zyl-Schr I-6Kt M8x25 | Vis cyl. à trou 6 p. M 8x25 | Socket Head Cap Screw M 8x25 |
| 127 | 19600-94 | 4122046 | | 2.00 | Halblech | Plaque | Plata |
| 128 | 19607-23 | 4122073 | | 1.00 | Wassertank | Réservoir swingo | Tank Swingo |
| 129 | 2771/101 | 4122094 | | 1.00 | Schlauchverschraubung 1" | Raccord 1" | Screwing Socket 1" |
| 130 | 3002/112 | 4122823 | | 1.00 | O-Ring 30x3 | Joint-O 30x3 | O-Ring 30x3 |
| 131 | 2771/119 | 4122095 | | 1.00 | Saugkorb 1" | Corbeille de filtre 1" | Filter Cage 1" |
| 132 | 19602-49 | 4121879 | | 1.00 | Filtertüte | Sac de filtre | Filter Bag |
| 133 | 19603-71 | 4122824 | | 2.00 | Unterlage | Bande, autocollant | Strip, Self-Adhesive |
| | - | | | | - | - | - |
| 134 | 19602-17 | 4122504 | | 1.00 | Tankschlüssel | Clé de réservoir | Tank Key |



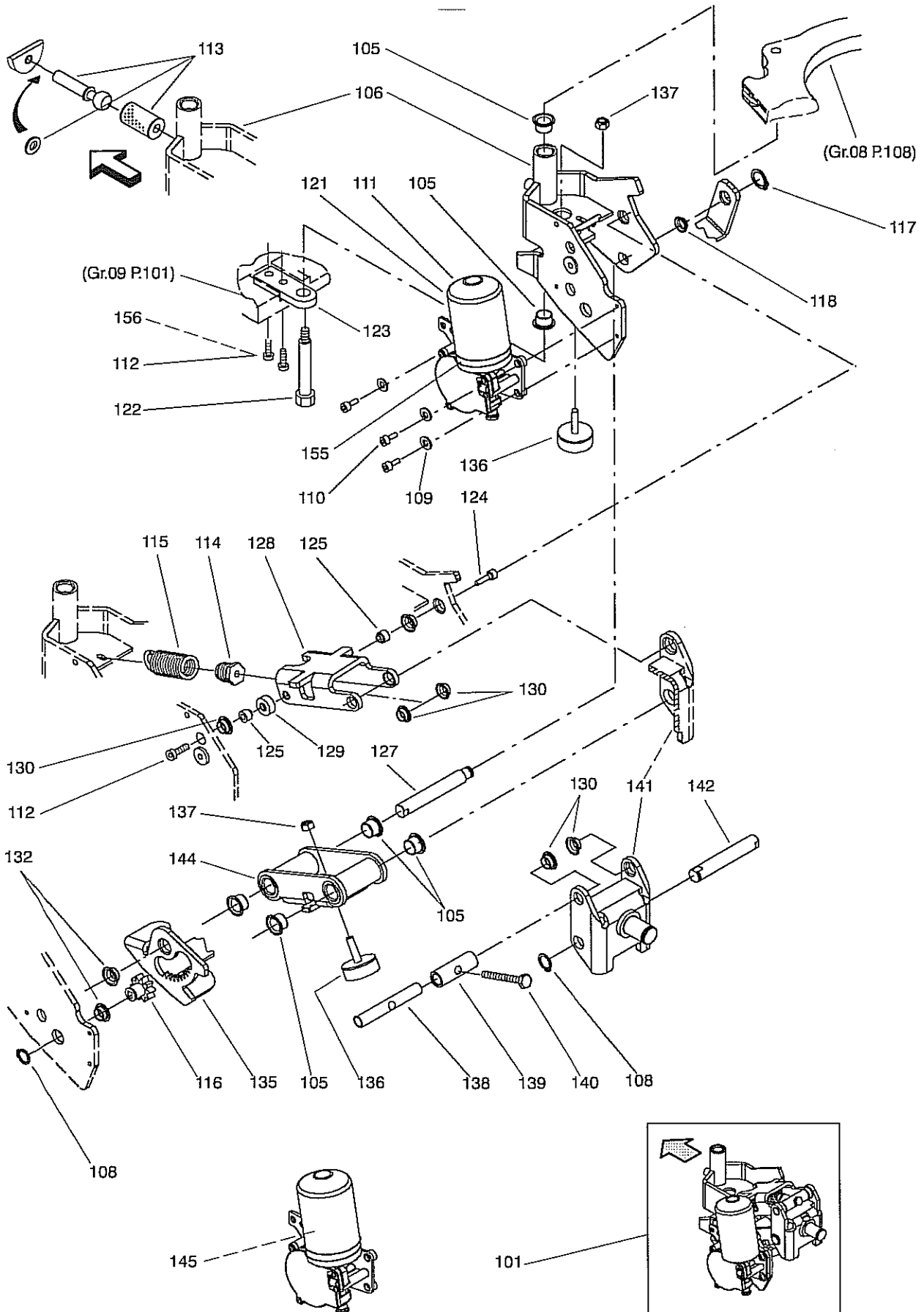
| S007737 | | | | | Düse 2500 | Suceur 2500 | Squeegee 2500 |
|----------|---------------------------------|---------------------------------|--------|-----------------|--------------------------------|---------------------------------|--------------------------------|
| Pos. No. | Artikelnr. Article No. Item No. | Bestellnr. No. de com Order No. | Model | Stck. Piè. Qty. | Bezeichnung | Designation | Description |
| 101 | 10600-18 | 4123630 | | 1.00 | Düse 900 | Suceur compl. | Squeegee Assy |
| | - | | | | - | - | - |
| 102 | 1425/137 | 4126749 | | 2.00 | L-Schr I-6Kt mit Flansch M8x40 | Vis à tête bomb. Flasque M 8x40 | Flange Sock.Head Screw M 8x40 |
| 103 | 2040/103 | 4126165 | | 2.00 | Rad 100/24 | Roue 100/24 | Wheel 100/24 |
| 104 | 1747/15 | 4007400 | | 2.00 | Unterlagscheibe 8,4/16x1,6 | Rondelle 8,4/16 | Washer 8,4/16 |
| 105 | 10600-78 | 4125064 | | 1.00 | Düsenkörper 900 | Corps de suceur | Squeegee Body |
| 106 | 10601-79 | 4126753 | | 1.00 | Blatlfeder | Ressort | Spring |
| 107 | 10600-90 | 4124304 | | 1.00 | Arretierfeder | Ressort d'arrêt | Click Spring |
| 108 | 10603-19 | 4127629 | | 3.00 | Rad 64/24 | Roue 64/24 | Wheel 64/24 |
| 109 | 10603-30 | 4127803 | | 3.00 | Achse | Axe | Axle |
| 110 | 12200-43 | 4124565 | | 1.00 | Lamelle 45/3x990 | Lamelle 45/3x990 | Blade 45/3x990 |
| 111 | 12200-60 | 4127877 | | 1.00 | Lamelle 45/4x1060 | Lamelle 45/4x1060 | Blade 45/4x1060 |
| 112 | 2004/119 | 4124870 | | 4.00 | Druckfeder 2,6/14,2x26,8 | Ressort de press. 2,6/14,2x26,8 | Pressure Spring 2,6/14,2x26,8 |
| 113 | 10603-27 | 4127876 | | 1.00 | Klemmteil L Düse 900 | Élément de serrage, gauche | Blade Clamping Insert L.H. |
| 114 | 10603-26 | 4127875 | | 1.00 | Klemmteil R Düse 900 | Élément de serrage, droit | Blade clamping Insert R.H. |
| 115 | 1052/220 | 4128157 | | 7.00 | Gew-Form-6Kt-Schr m Bund M6x16 | Gew-formende Schraube M 6x16 | Self-Thread-Form. Screw M 6x16 |
| 116 | 1130/190 | 4126634 | | 4.00 | Zyl-Schr I-6Kt M8x35 | Vis cyl. à trou 6 p. M 8x35 | Socket Head Cap Screw M 8x35 |
| 117 | 0907/104 | 4103460 | | | Verschleiss-Schutzspray, 300ML | Spray protect.d'usure fin sup | Wear Resist. Spray Fin Super |
| 118 | 1752/58 | 4007490 | | 6.00 | Unterlagscheibe 6,4/18x1,6 | Rondelle 6,4/18 | Washer 6,4/18 |
| 120 | 19605-31 | 4120275 | | 1.00 | Saugschlauch | Tuyau d'aspiration compl. | Aspiration Hose Compl. |
| 121 | 2177/155 | 4067100 | | 3.00 | Schlauchklemme 44 | Bride S 44 | Hose Clamp S 44 |
| 122 | 10521-54 | 4107660 | | 1.00 | Y-Stück | Raccord Y | Y-Pipe |
| 123 | 19605-29 | 4120194 | | 2.00 | Spiralschlauch 31.7/40.5 best | Tuyau flexible 360 | Hose 360 |
| 124 | 19000-90 | 4053090 | | 2.00 | Mulfe | Manchon fileté | Threaded Adaptor |
| | - | | | | - | - | - |
| 130 | 12200-59 | 4127207 | Option | 1.00 | Lamelle 45/3x990 | Lamelle 45/3x990 | Blade 45/3x990 |
| 131 | 12200-64 | 4128156 | Option | 1.00 | Lamelle 45/3x990 | Lamelle 45/3x990 | Blade 45/3x990 |



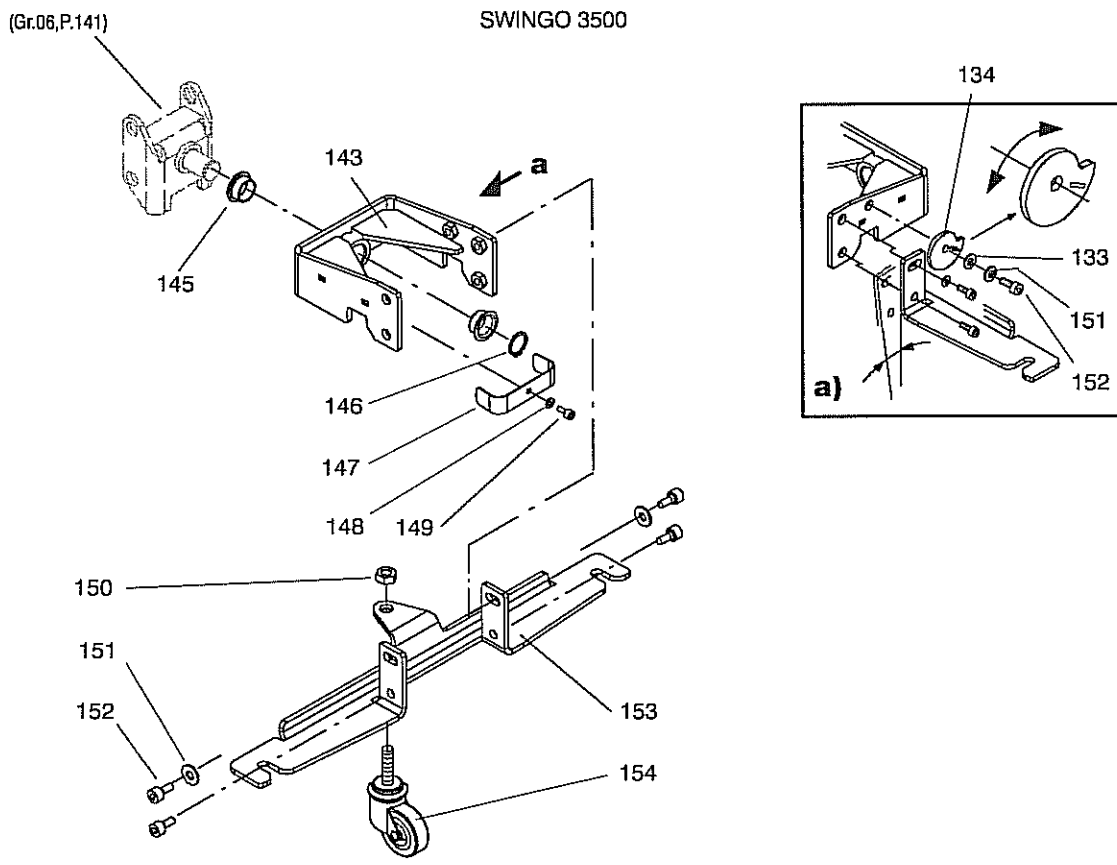
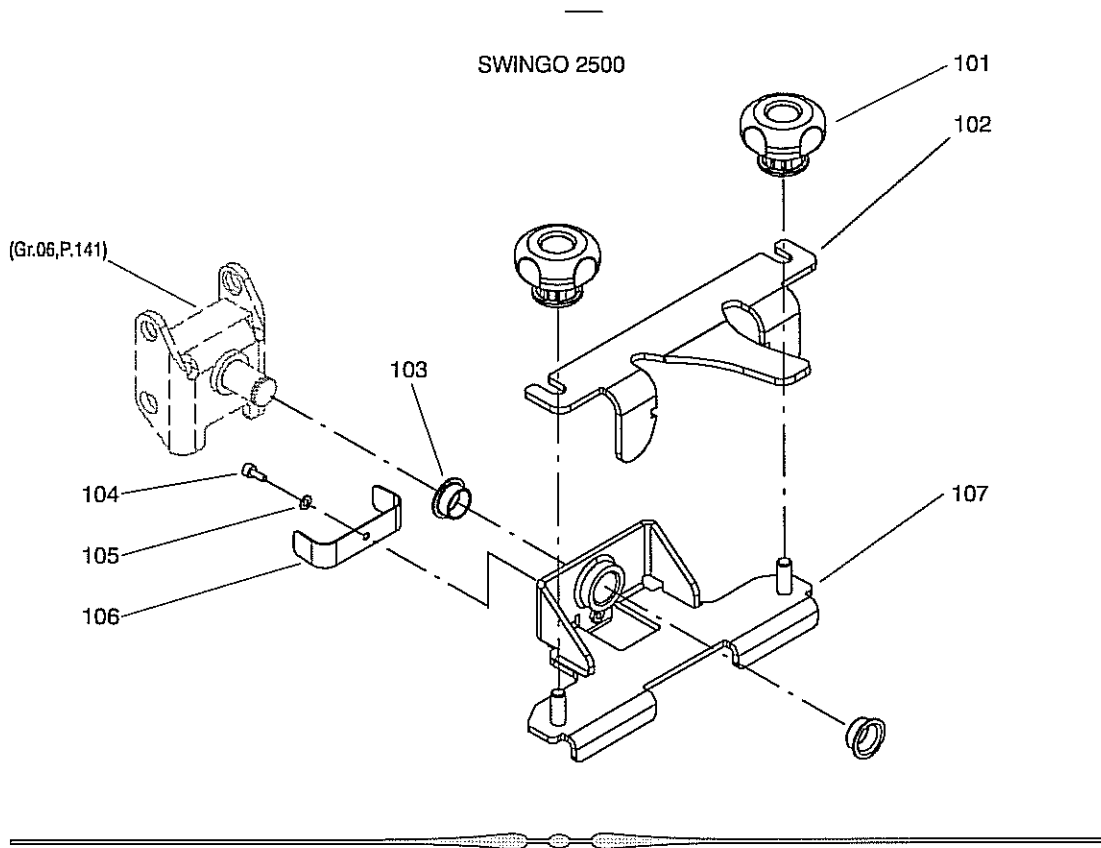
| S004117 | | | | | Düse 3500 | Suceur 3500 | Squeegee 3500 |
|----------|---------------------------------|---------------------------------|-------|-----------------|----------------------------|-------------------------------|------------------------------|
| Pos. No. | Artikelnr. Article No. Item No. | Bestellnr. No. de com Order No. | Model | Stck. Plä. Qty. | Bezeichnung | Designation | Description |
| 101 | 1134/190 | 4122480 | | 2.00 | Zyl-Schr I-6Kt M8x20 | Vis cyl. à trou 6 p. M 8x20 | Socket Head Cap Screw M 8x20 |
| 102 | 1747/15 | 4007400 | | 2.00 | Unterlagscheibe 8,4/16x1,6 | Rondelle 8,4/16 | Washer 8,4/16 |
| 103 | 17606-69 | 4122783 | | 2.00 | Rad | Roue | Wheel |
| 104 | 1790/15 | 4007890 | | 2.00 | Wellenscheibe 14/21,8x0,3 | Entretoise 14/21,8 | Waved Washer 14/21,8 |
| 105 | 19512-23 | 4093590 | | 2.00 | Stützscheibe | Kil rondelle d'appui | Sustaining Disc Set |
| 106 | 17608-84 | 4126607 | | 2.00 | Sterngriff M10 | Bouton étoile M 10 | Star Knob M 10 |
| 110 | 1759/12 | 4022860 | | 1.00 | Unterlagscheibe 5,3/10x1 | Rondelle 5,3/10 | Washer 5,3/10 |
| 111 | 1134/154 | 4123155 | | 1.00 | Zyl-Schr I-6Kt M5x35 | Vis cyl. à trou 6 p. M 5x35 | Socket Head Cap Screw M 5x35 |
| 112 | 19603-06 | 4121928 | | 1.00 | Spannschiene HL 2500/3500 | Bande de serrage | Tightening Strap |
| 131 | 19600-28 | 4121933 | | 1.00 | Düse 3500 | Suceur compl. | Squeegee Assy. |
| 132 | 19602-60 | 4122064 | | 1.00 | Düsenkörper 3500 | Corps de suceur 3500 | Squeegee Body 3500 |
| 133 | 12200-26 | 4121926 | | 1.00 | Lamelle 56/5x1206 | Lamelle | Blade |
| 134 | 12200-25 | 4121927 | | 1.00 | Lamelle 58/3x1140 | Lamelle | Blade |
| 135 | 19602-61 | 4121931 | | 1.00 | Spannschiene HR 3500 | Bande de serrage | Tightening Strap |
| 136 | 19602-62 | 4121932 | | 1.00 | Spannschiene V 3500 | Bande de serrage | Tightening Strap |
| 140 | 8909/61 | 4039680 | | | Synthesefett Syn 53B, 1Kg | Lubrifiant synsetral 53B P Kg | Lubricant Synsetral 53B P Kg |
| | - | | | | - | - | - |
| | - | | | | - | - | - |
| 153 | 12200-37 | 4125403 | | 2.00 | Lamelle 56/3x1206 | Lamelle 56/3x1206 | Blade 56/3x1206 |
| 154 | 12200-58 | 4127206 | | 1.00 | Lamelle 58/3x1140 | Blade 1140 | Lamelle 1140 |



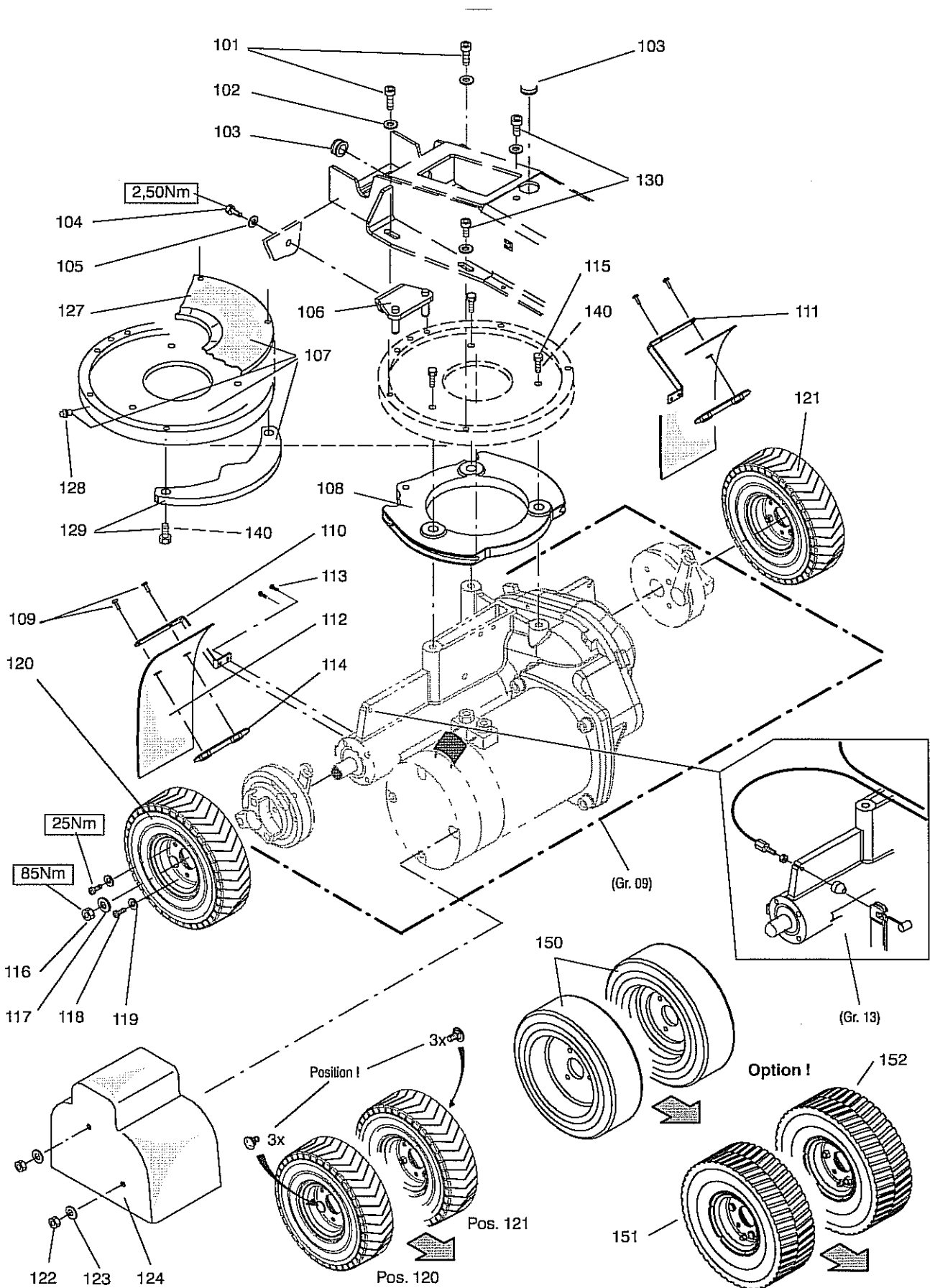
| S005922 | | | | | Düsenmechanik | Dispositif remontée suceur | Squeegee mechanism |
|----------|---------------------------------|---------------------------------|-------------|-----------------|--------------------------------|--------------------------------|-------------------------------|
| Pos. No. | Artikelnr. Article No. Item No. | Bestellnr. No. de com Order No. | Model | Sick. Piè. Qty. | Bezeichnung | Designation | Description |
| 101 | 19605-21 | 4128129 | | 1.00 | Düsenmechanik | Dispositif remontée suceur | Squeegee mechanism |
| | - | | | | - | - | - |
| | - | | | | - | - | - |
| 105 | 2505/618 | 4085250 | | 6.00 | Gleitlager 15/17/23x12 | Coussinet 15/17/23-12 | Slide Bearing 15/17/23-12 |
| 106 | 19603-92 | 4122534 | | 1.00 | Konsole | Console | Console |
| 108 | 2911/113 | 4064740 | | 2.00 | Sicherungsring 15x1 A | Rondelle "seeger" 15 A | Retaining Ring 15 A |
| 109 | 1752/123 | 4060330 | | 3.00 | Unterlagscheibe 5,3/15x1,2 | Rondelle 5,3/15x1,2 | Washer 5,3/15x1,2 |
| 110 | 1134/48 | 4096260 | | 3.00 | Zyl-Schr I-6Kt M5x16 | Vis cyl. à trou 6 p. M 5x16 | Socket Head Cap Screw M 5x16 |
| 111 | 19604-00 | 4122522 | | 1.00 | Getriebemotor Set 24V 15W 1,7A | Moto-réducteur | Gear Motor |
| 112 | 1137/18 | 4006520 | | 3.00 | Zyl-Schr I-6Kt M6x30 | Vis cyl. à trou 6 p. M 6x30 | Socket Head Cap Screw M 6x30 |
| 113 | 19604-51 | 4122910 | | 1.00 | Federelement Set | Kit amortisseur | Buffer Set |
| 114 | 19608-71 | 4122057 | | 1.00 | Endbolzen | Goujon de ressort | Stud Of Spring |
| 115 | 19608-72 | 4122089 | | 1.00 | Zugfeder 4/26x70,5 | Ressort | Spring |
| 116 | 19603-93 | 4122540 | | 1.00 | Ritzel 4-Kant | Roue dentée | Toothed Wheel |
| 117 | 2911/11 | 4008660 | | 1.00 | Sicherungsring 12x1 A | Rondelle "seeger" 12 A | Retaining Ring 12 A |
| 118 | 2505/610 | 4122091 | | 1.00 | Gleitlager 12/14/20x7 | Coussinet 12/14/20-07 | Slide Bearing 12/14/20-07 |
| 121 | 19605-10 | 4127982 | | 1.00 | Kappe | Capuchon de caoutchouc | Rubber Cap |
| 122 | 19609-59 | 4122090 | | 1.00 | Schwenkbolzen | Goujon | Bolt |
| 123 | 19603-42 | 4122070 | | 1.00 | Lasche | Fixation | Bracket |
| 124 | 1134/70 | 4054190 | | 1.00 | Zyl-Schr I-6Kt M6x20 | Vis cyl. à trou 6 p. M 6x20 | Socket Head Cap Screw M 6x20 |
| 125 | 19608-52 | 4122085 | | 2.00 | Bundbuchse 6,4/7,9/12x10 | Douille | Bush |
| 127 | 19605-24 | 4128149 | | 1.00 | Achse | Axe | Axle |
| 128 | 19608-51 | 4122079 | | 1.00 | Strebe | Support | Bracket |
| 129 | 19608-60 | 4122088 | | 1.00 | Bundbuchse 6,4/7,9/20x11 | Douille | Bush |
| 130 | 2505/610 | 4122091 | | 6.00 | Gleitlager 12/14/20x7 | Coussinet 12/14/20-07 | Slide Bearing 12/14/20-07 |
| 132 | 2505/650 | 4122093 | | 2.00 | Gleitlager 15/17/23x06 | Coussinet 15/17/23-06 | Slide Bearing 15/17/23-06 |
| 135 | 19605-19 | 4128123 | | 1.00 | Milnehmer | Entraîneur | Catch |
| 136 | 3055/40 | 4040780 | | 2.00 | Puffer 40x15 | Butoir | Buffer-Stop |
| 138 | 19603-94 | 4122506 | | 1.00 | Befestigungsbolzen | Axe | Axle |
| 139 | 19608-55 | 4122087 | | 1.00 | Buchse 12,2/18x52,3 | Tube | Pipe |
| 140 | 1004/219 | 4106840 | | 1.00 | 6Kt-Schr M8x60 | Vis à tête six pans M 8x60 | Hexagon Screw M 8x60 |
| 141 | 19608-46 | 4122082 | | 1.00 | Bügel | Support | Bracket |
| 142 | 19608-49 | 4122084 | | 1.00 | Schwenkbolzen | Axe | Axle |
| 145 | 19605-25 | 4128150 | 2008 - 2009 | 1.00 | Widerstand 1.5 Ohm bestückt | Résistance 1,5 Ohm compl. | Resistor 1,5 Ohm Compl. |
| 144 | 19608-48 | 4122083 | | 1.00 | Arm | Levier | Lever |
| 155 | 4215/117 | 4012650 | | 1.00 | Kabelbinder 290 | Bande à lier les câbles | Cable Tie |
| 156 | 8936/1 | 4017370 | | | Sicherungs-Klebstoff mittel | Colle p. blocage moyen 50 gr | Adhesive Locking Middle 50Gr |
| 157 | 8906/106 | 4122242 | | | Getriebefett OKS 427, 1Kg | Graisse -engrenage, palier 1Kg | Lubricant - Gear,Bearing 1 Kg |



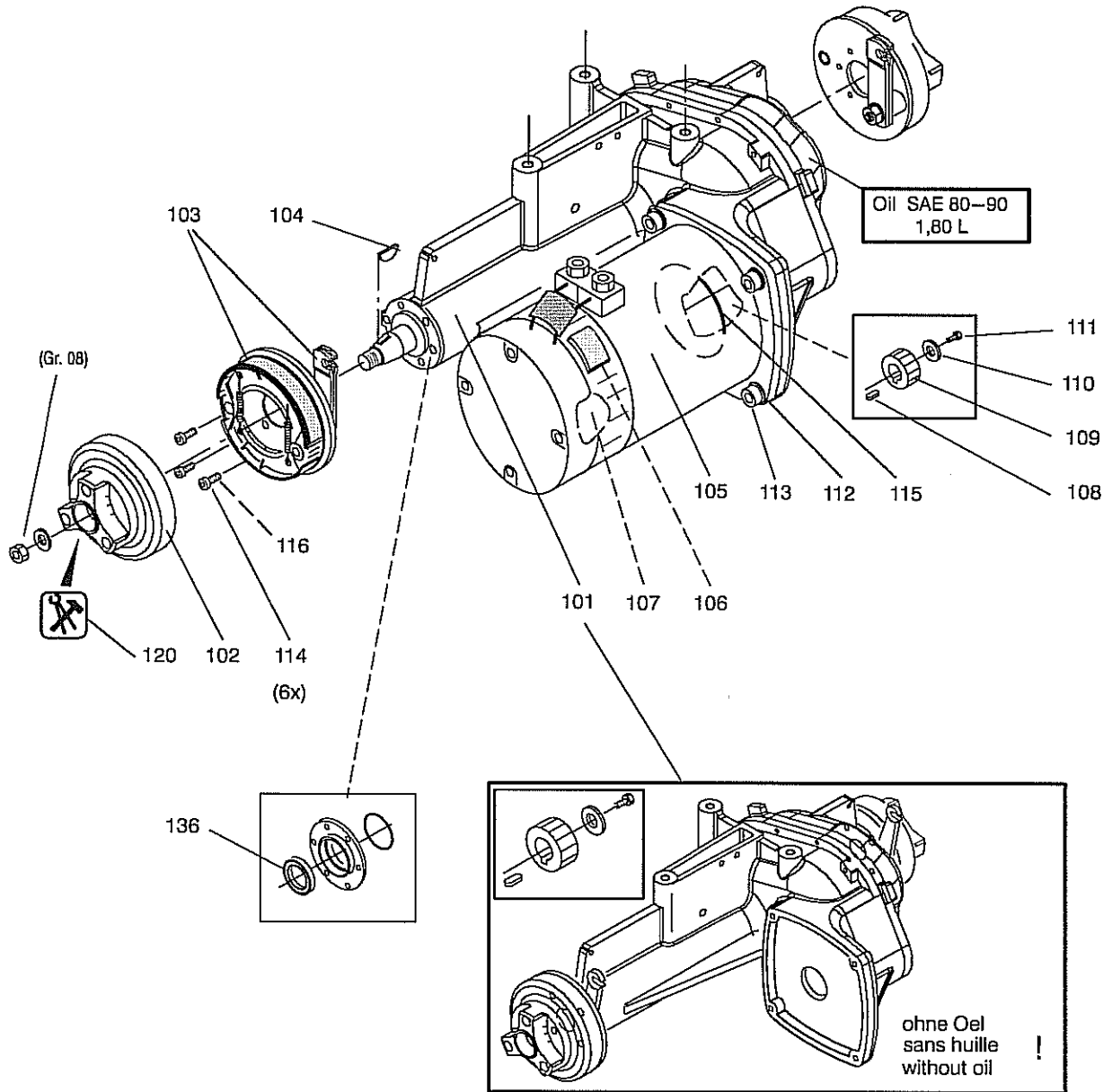
| S007738 | | | | | Düsenmechanik | Dispositif remontée suceur | Squeegee mechanism |
|----------|---------------------------------|---------------------------------|-------|-----------------|------------------------------|-----------------------------|------------------------------|
| Pos. No. | Artikelnr. Article No. Item No. | Bestellnr. No. de com Order No. | Model | Stck. Piè. Qty. | Bezeichnung | Designation | Description |
| 101 | 17608-84 | 4126687 | | 2.00 | Sterngriff M10 | Bouton étoile M 10 | Star Knob M 10 |
| 102 | 19605-17 | 4127913 | | 1.00 | Support | Support | Support |
| 103 | 2505/625 | 4122092 | | 2.00 | Gleitlager 20/23/30x11,5 | Coussinet 20/23/30-11,5 | Slide Bearing 20/23/30-11,5 |
| 104 | 1142/5 | 4006550 | | 1.00 | Zyl-Schr I-6Kt M5x12 | Vis cyl. à trou 6 p. M 5x12 | Socket Head Cap Screw M 5x12 |
| 105 | 1752/12 | 4007460 | | 1.00 | Unterlagscheibe 5,3/10x1 | Rondelle 5,3/10 | Washer 5,3/10 |
| 106 | 19608-38 | 4122081 | | 1.00 | Blattfeder | Etrier | Holder |
| 107 | 19605-16 | 4127912 | | 1.00 | Träger | Support | Support |
| | - | | | 1.00 | - | - | - |
| | - | | | 1.00 | - | - | - |
| | - | | | 1.00 | - | - | - |
| 133 | 1790/121 | 4123779 | | 1.00 | Weillenscheibe 10,5/15,8x0,2 | Entreloise 10,5/15,8x0,2 | Waved Washer 10,5/15,8x0,2 |
| 134 | 19604-89 | 4126683 | | 1.00 | Kurvenscheibe | Disque à came | Cam Disk |
| 143 | 19608-37 | 4122075 | | 1.00 | Träger | Support | Support |
| 145 | 2505/625 | 4122092 | | 2.00 | Gleitlager 20/23/30x11,5 | Coussinet 20/23/30-11,5 | Slide Bearing 20/23/30-11,5 |
| 146 | 2911/20 | 4023470 | | 1.00 | Sicherungsring 20x1,2 A | Rondelle "seeger" 20 A | Retaining Ring 20 A |
| 147 | 19608-38 | 4122081 | | 1.00 | Blattfeder | Etrier | Holder |
| 148 | 1752/12 | 4007460 | | 1.00 | Unterlagscheibe 5,3/10x1 | Rondelle 5,3/10 | Washer 5,3/10 |
| 149 | 1142/5 | 4006550 | | 1.00 | Zyl-Schr I-6Kt M5x12 | Vis cyl. à trou 6 p. M 5x12 | Socket Head Cap Screw M 5x12 |
| 150 | 1654/8 | 4028110 | | 1.00 | Sechskantmutter M10 | Écrou à six pans M 10 | Hexagon Nut M 10 |
| 151 | 1756/4 | 4048930 | | 3.00 | Unterlagscheibe 8,4/20x2 | Rondelle 8,4/20x2 | Washer 8,4/20x2 |
| 152 | 1134/190 | 4122480 | | 5.00 | Zyl-Schr I-6Kt M8x20 | Vis cyl. à trou 6 p. M 8x20 | Socket Head Cap Screw M 8x20 |
| 153 | 19602-58 | 4122065 | | 1.00 | Düsenträger | Support de suceur | Squeegee Holder |
| 154 | 2036/119 | 4121883 | | 1.00 | Lenkrolle kompl. 50/20 | Roulette pivotante | Castor |



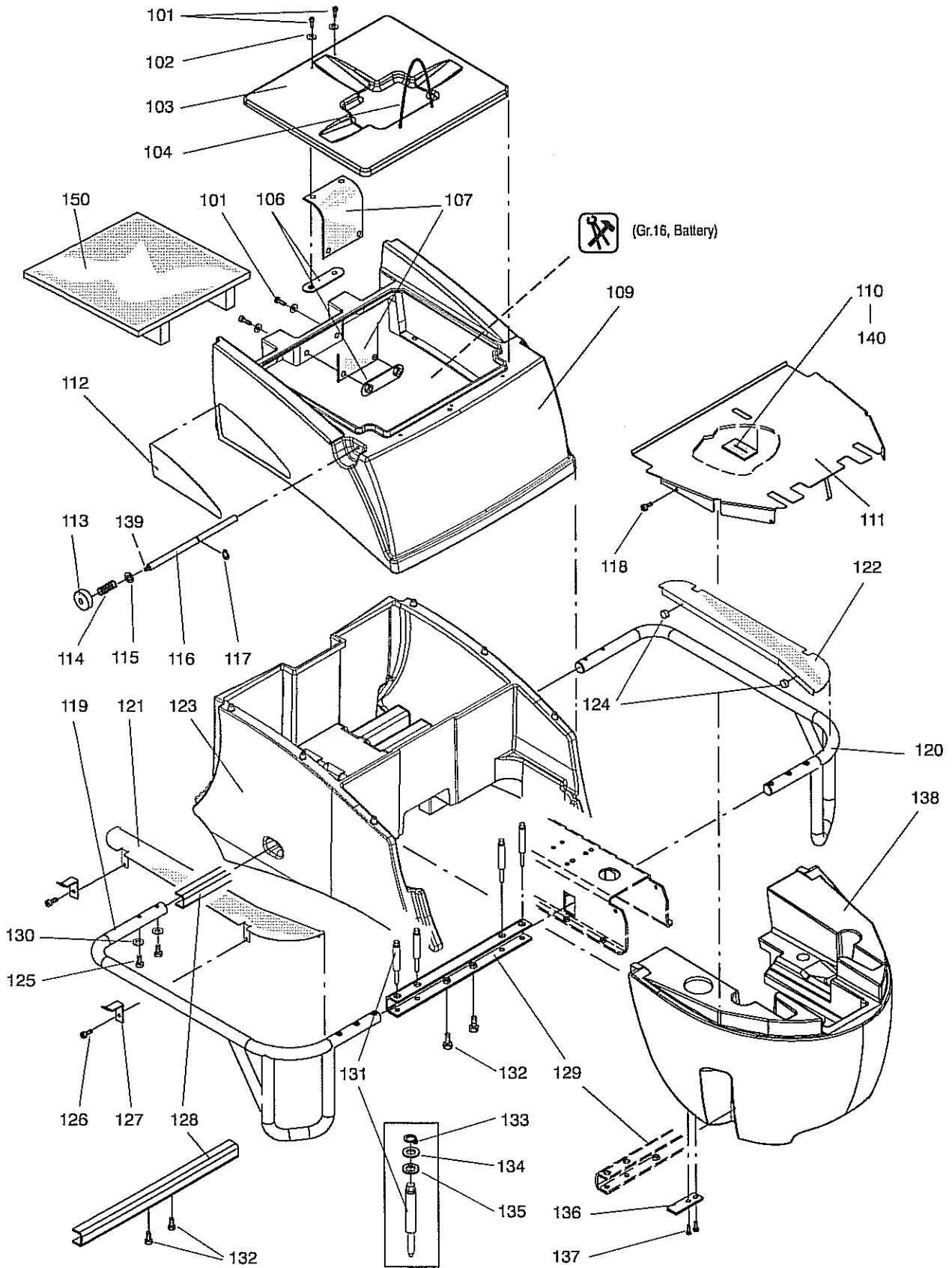
| S004184 | | | | | Radantrieb | Unité d'entraînement | Drive unit |
|----------|---------------------------------|---------------------------------|--------|------------------|------------------------------|---------------------------------|---------------------------------|
| Pos. No. | Artikelnr. Article No. Item No. | Bestellnr. No. de com Order No. | Model | Stück. Piè. Qty. | Bezeichnung | Designation | Description |
| 101 | 1132/42 | 4042600 | | 2.00 | Zyl-Schr I-6Kt M10x30 | Vis cyl. à trou 6 p. M 10x30 | Socket Head Cap Screw M 10x30 |
| 102 | 1752/16 | 4027970 | | 4.00 | Unterlagscheibe 10,5/20x2 | Rondelle 10,5/21 | Washer 10,5/21 |
| 103 | 19602-23 | 4122150 | | 5.00 | Durchführungstülle | Douille de passage | Grommet |
| 104 | 1004/214 | 4069420 | | 1.00 | 6Kt-Schr M8x35 | Vis à tête six pans M 8x35 | Hexagon Screw M 8x35 |
| 105 | 1756/4 | 4040930 | | 1.00 | Unterlagscheibe 8,4/20x2 | Rondelle 8,4/20x2 | Washer 8,4/20x2 |
| 106 | 19601-86 | 4122154 | | 1.00 | Spannbügel | Etrier de tension | Stretching Bracket |
| 107 | 19608-74 | 4122280 | | 1.00 | Drehkranz | Palier | Bearing |
| 108 | 19600-49 | 4122442 | | 1.00 | Lenkkranz | Couronne de direction | Steering Roller |
| 109 | 1209/14 | 4006590 | | 4.00 | L-Schr KS M4x12 | Vis à tête cyl. bomb. M 4x12 | Raised Cheese Hd.Screw M 4x12 |
| 110 | 19602-85 | 4121959 | | 1.00 | Halter Spritzschutz rechts | Fixation droit | Bracket R.H. |
| 111 | 19602-84 | 4121960 | | 1.00 | Halter Spritzschutz links | Fixation gauche | Bracket L.H. |
| 112 | 19602-83 | 4121962 | | 2.00 | Spritzschutzklappen | Plaque de caoutchouc | Rubber Shield |
| 113 | 1132/19 | 4006420 | | 4.00 | Zyl-Schr I-6Kt M6x10 | Vis cyl. à trou 6 p. M 6x10 | Socket Head Cap Screw M 6x10 |
| 114 | 19602-20 | 4121958 | | 2.00 | Gegenblech | Plaque | Plate |
| 115 | 1004/251 | 4057240 | | 3.00 | 6Kt-Schr M12x25 | Vis à tête six pans M 12x25 | Hexagon Screw M 12x25 |
| 116 | 1721/108 | 4122261 | | 2.00 | Sicherungsmutter M14 | Écrou de sureté M 14 | Self-Locking Nut M 14 |
| 117 | 1752/112 | 4076740 | | 2.00 | Unterlagscheibe 15/28x2,5 | Rondelle 15/28 | Washer 15/28 |
| 118 | 1132/31 | 4042640 | | 6.00 | Zyl-Schr I-6Kt M8x30 | Vis cyl. à trou 6 p. M 8x30 | Socket Head Cap Screw M 8x30 |
| 119 | 1782/9 | 4007780 | | 6.00 | Federring 8,1 | Rondelle à ressort 8,1 | Spring Washer 8,1 |
| 120 | 19603-74 | 4122335 | | 1.00 | Antriebsrad Su-Elastic/PU re | Roue d'entraîn.superelast. D | Main Wheel Superelastic R.H. |
| 121 | 19603-96 | 4122486 | | 1.00 | Antriebsrad Su-Elastic/PU li | Roue d'entraîn.superelast. G | Main Wheel Superelastic L.H. |
| 122 | 1654/5 | 4007180 | | 2.00 | Sechskantmutter M5 | Écrou à six pans M 5 | Hexagon Nut M 5 |
| 123 | 1752/11 | 4007450 | | 2.00 | Unterlagscheibe 5,3/20x1,5 | Rondelle 5/20 | Washer 5/20 |
| 124 | 19602-67 | 4122153 | | 1.00 | Spritzschutz Motor | Capot de protection | Protection Hood |
| 127 | 19604-25 | 4122603 | | 1.00 | Schutzkragen | Capot de protection | Protection Cap |
| 128 | 2611/101 | 4096410 | | 2.00 | Schmiemipfel M6 | Graisseur | Lubricator Nipple |
| 129 | 19604-72 | 4123149 | | 1.00 | Lenkbegrenzungs Set | Kit arrêt de braquage | Steering Stop Set |
| 130 | 1132/41 | 4042610 | | 2.00 | Zyl-Schr I-6Kt M10x20 | Vis cyl. à trou 6 p. M 10x20 | Socket Head Cap Screw M 10x20 |
| 140 | 8936/1 | 4017370 | | | Sicherungs-Klebstoff mittel | Colle p. blocage moyen 50 gr | Adhesive Locking Middle 50Gr |
| 150 | 19605-11 | 4127268 | Option | 2.00 | Antriebsrad | Roue de commande (PU) no profil | Driving Wheel (PU) no profile |
| 151 | 19605-13 | 4127425 | Option | 1.00 | Antriebsrad rechts | Roue de comm. droit avec profil | Driving wheel right with profil |
| 152 | 19605-14 | 4127426 | Option | 1.00 | Antriebsrad links | Roue de comm.gauche avec profil | Driving wheel left with profile |



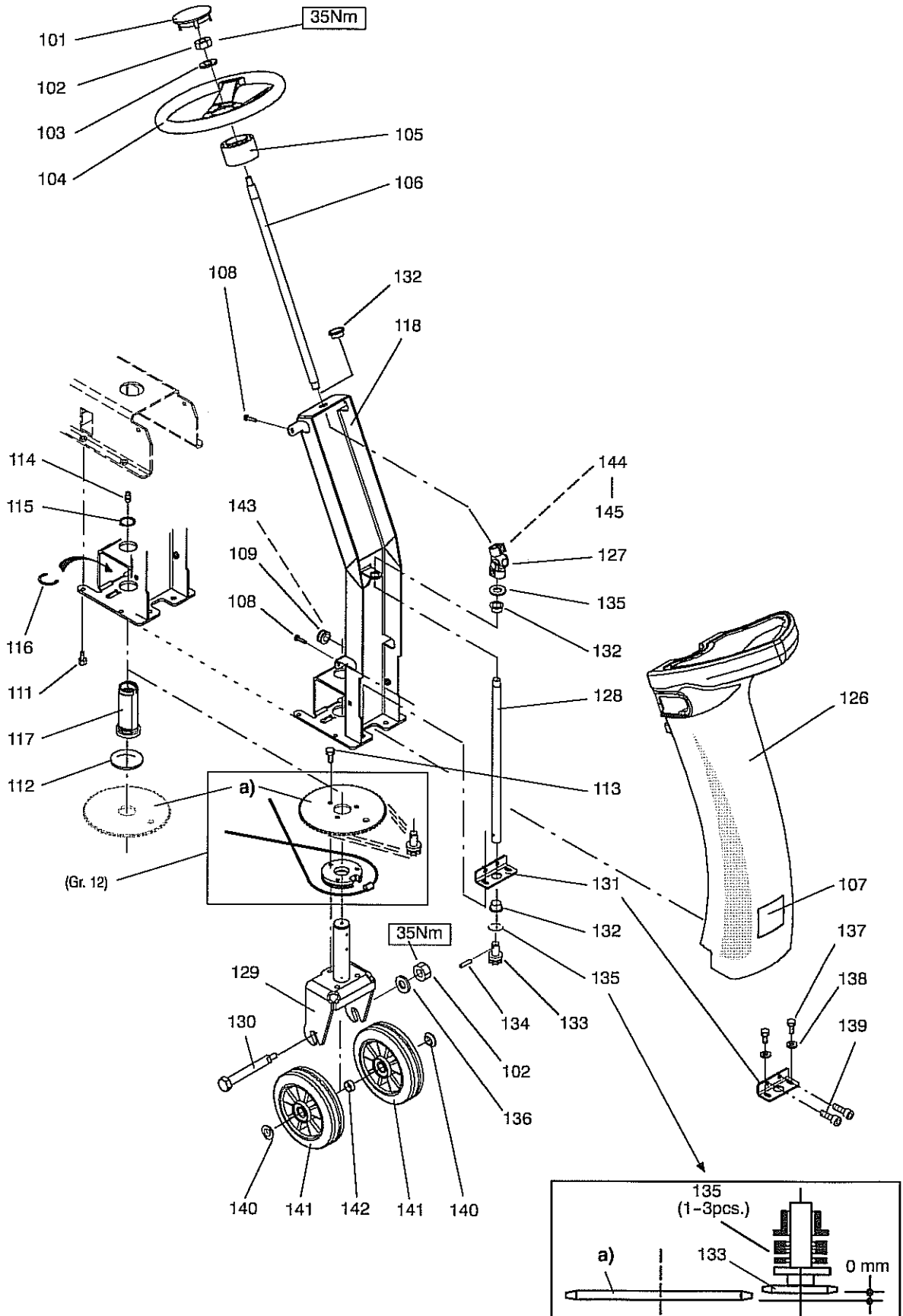
| S004123 | | | | | Antriebsaggregat | Moto-réducteur | Motor Gear |
|----------|------------------------|---------------------------------|-------|-----------------|-----------------------------|-------------------------------|-------------------------------|
| Pos. No. | Artikelnr. Article No. | Bestellnr. No. de com Order No. | Model | Stck. Plä. Qty. | Bezeichnung | Designation | Description |
| 101 | 3395/090 | 4122475 | | 1.00 | Antriebsgetriebe | Réducteur av. freines | Gear W. Brakes |
| 102 | 19603-79 | 4122514 | | 2.00 | Nabe | Moyeu | Hub |
| 103 | 19605-27 | 4128165 | | 2.00 | Bremssatz links/rechts | Kit frein gauche/droit | Brake Set Left/Right |
| 104 | 2201/319 | 4122262 | | 2.00 | Scheibefeder 6x9 | Clavette disque 6x9 | Woodruff Key 6x9 |
| 105 | 19600-47 | 4121884 | | 1.00 | Motor 24V 1000W 51A | Moteur | Motor |
| 106 | 3395/035 | 4099840 | | 1.00 | Band mit Schnalle | Collier avec grenouillère | Collar With Cramp |
| 107 | 3395/020 | 4091440 | | 1.00 | Kohlebürsten Set | Bafai charbon (kit, 4 pièces) | Carbon Brush (Set, 4 Parts) |
| 108 | 2201/6 | 4031170 | | 1.00 | Federkeil 5/5x14 | Clavette 5/5x14 | Key 5/5x14 |
| 109 | 3395/092 | 4122278 | | 1.00 | Ritzel 27 Z | Roue dentée 27 D | Toothed Wheel 27 T |
| 110 | 17050-51 | 4051410 | | 1.00 | Unterlagscheibe 6,5/20x3 | Rondelle | Washer |
| 111 | 1004/65 | 4030840 | | 1.00 | 6Kt-Schr M6x16 | Vis à tête six pans M 6x16 | Hexagon Screw M 6x16 |
| 112 | 1752/16 | 4027970 | | 4.00 | Unterlagscheibe 10,5/20x2 | Rondelle 10,5/21 | Washer 10,5/21 |
| 113 | 1132/42 | 4042600 | | 4.00 | Zyl-Schr I-6Kt M10x30 | Vis cyl. à trou 6 p. M 10x30 | Socket Head Cap Screw M 10x30 |
| 114 | 1142/148 | 4122523 | | 12.00 | Zyl-Schr I-6Kt M5x16 | Vis cyl. à trou 6 p. M 5x16 | Socket Head Cap Screw M 5x16 |
| 115 | 3002/208 | 4061670 | | 1.00 | O-Ring 63,17x2,62 | Joint-O 63,17x2,62 | O-Ring 63,17x2,62 |
| 116 | 8936/1 | 4017370 | | | Sicherungs-Klebstoff mittel | Colle p. blocage moyen 50 gr | Adhesive Locking Middle 50Gr |
| 120 | 99997-17 | 4122445 | | 1.00 | Abziehlansch für Nabe | Arrache-flasque | Flange Puller |
| 136 | 3000/222 | 4096290 | | 2.00 | Wellendichtring 25x35x7 | Bague à lèvres 25X35X7 | Shaft Seal 25x35x7 |



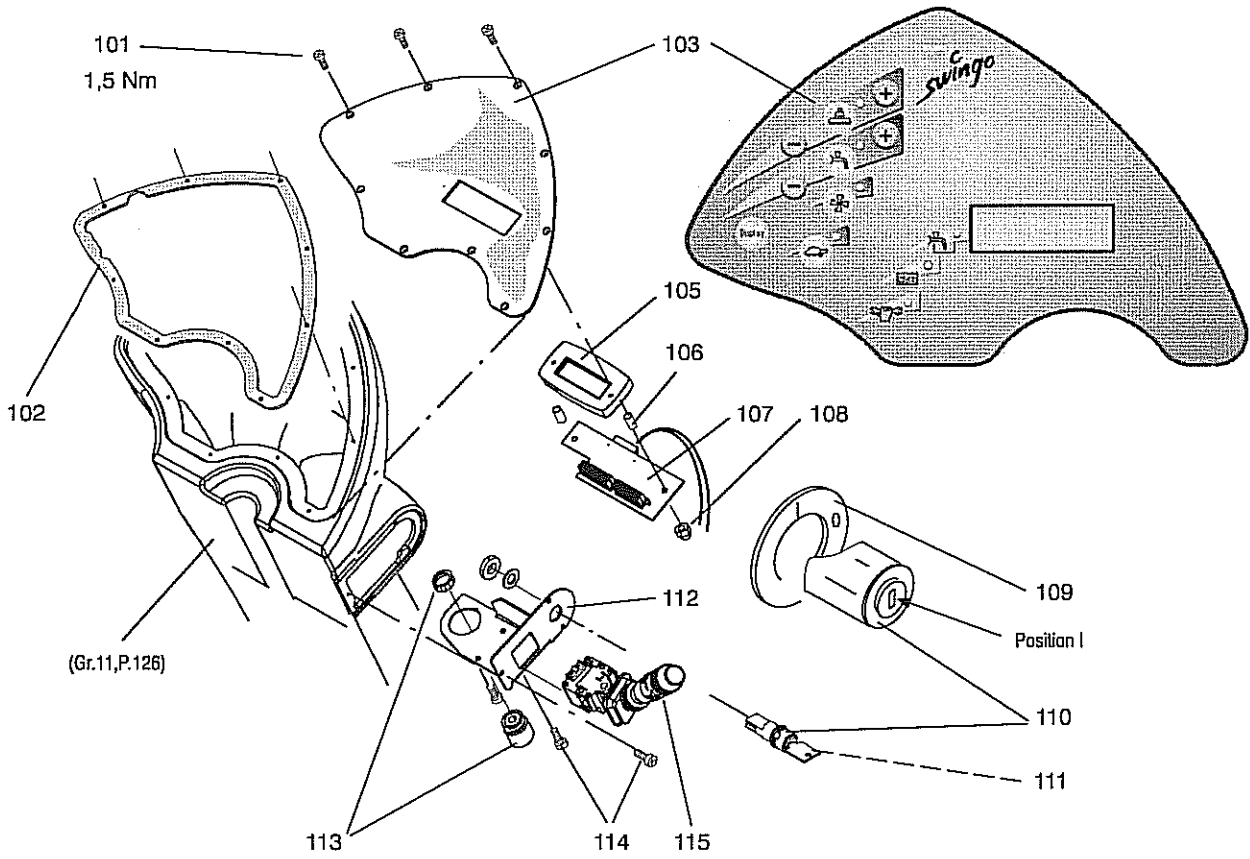
| S004417 | | | | | Partie Batterie | Groupe Accumulateur | Battery group |
|----------|---------------------|---------------------------------|-------------|--------------------------------|------------------------------|------------------------------|-------------------------------|
| Pos. No. | Artikelnr. Item No. | Bestellnr. No. de com Order No. | Model | Stück. Piè. Qty. | Bezeichnung | Designation | Description |
| 101 | 1207/14 | 4019660 | 0,25m | 4.00 | L-Schr KS M4x16 | Vis à tête cyl. bomb. M 4x16 | Raised Cheese Hd.Screw M 4x16 |
| 102 | 1752/35 | 4007480 | | 4.00 | Unterlagscheibe 4,3/12x1 | Rondelle 4,3/12 | Washer 4,3/12 |
| 103 | 19600-54 | 4122115 | | 1.00 | Batteriedeckel | Couvercle d'accumulateur | Battery Cover |
| 104 | 8807/011 | 4051890 | | 1.00 | Polyesterseil 2 | Cordelette le m | Cord Per M |
| 106 | 19602-28 | 4121958 | | 2.00 | Gegenblech | Plaque | Plate |
| 107 | 19602-20 | 4122112 | | 1.00 | Gummiband | Bande à caoutchouc | Rubber Band |
| 109 | 19607-43 | 4122102 | 1.00 | Obere Akkuverkleidung | Couvercle | Hood | |
| 110 | 19603-44 | 4122157 | 1.00 | Dichtlappen | Protection | Protection | |
| 111 | 19601-43 | 4122105 | 1.00 | Fussblech | Marchepied | Foot Board | |
| 112 | 19604-14 | 4122611 | 1.00 | Schriftzug Swingo 2500 | Autocollant swingo 2500 | Decorative Label Swingo 2500 | |
| 112 | 19604-15 | 4122610 | 1.00 | Schriftzug Swingo 3500 | Autocollant swingo 3500 | Decorative Label Swingo 3500 | |
| 113 | 19601-24 | 4122136 | 1.00 | Notaus Knopf | Bouton - interruption d.voy. | Knob - Emergency Switch-Off | |
| 114 | 2804/115 | 4110380 | 1.00 | Druckfeder 0,63/10,5x42,9 | Ressort d.pression 10,5x42,9 | Pressure Spring 10,5x42,9 | |
| 115 | 1755/16 | 4031090 | 1.00 | Unterlagscheibe 8,4/20x1,2 | Rondelle 8,4/20 | Washer 8,4/20 | |
| 116 | 19601-25 | 4122137 | 1.00 | Notaus Stange | Tige | Bar | |
| 117 | 2913/149 | 4026220 | 1.00 | Sicherungsscheibe Welle 7x0,9 | Anneau de sûreté p. arbre 7 | Circlip For Shaft 7 | |
| 118 | 1840/022 | 4087930 | 4.00 | Delta PT-Schr LK As Torx 60x16 | Vis Delta PT Torx 60x16 | Screw Delta PT Torx 60x16 | |
| 119 | 19601-27 | 4122106 | 1.00 | Rammschutz rechts | Profil de protection droit | Protection Profile R.H. | |
| 120 | 19601-28 | 4122107 | 1.00 | Rammschutz links | Profil de protection gauche | Protection Profile L.H. | |
| 121 | 19602-31 | 4122108 | swingo 3500 | 1.00 | Trittlech rechts | Marchepied droit | Foot Board R.H. |
| 122 | 19602-30 | 4122109 | swingo 3500 | 1.00 | Trittlech links | Marchepied gauche | Foot Board L.H. |
| 123 | 19607-22 | 4122103 | 1.00 | Batterieverkleidung | Bâti d'accumulateur swingo | Battery Housing Swingo | |
| 124 | 3056/002 | 4122121 | 4.00 | Druckknopf/puffer 12 | Bouchon | Stoppie | |
| 125 | 1132/30 | 4042650 | 4.00 | Zyl-Schr I-6Kt M8x25 | Vis cyl. à trou 6 p. M 8x25 | Socket Head Cap Screw M 8x25 | |
| 126 | 1132/19 | 4006420 | 4.00 | Zyl-Schr I-6Kt M6x10 | Vis cyl. à trou 6 p. M 6x10 | Socket Head Cap Screw M 6x10 | |
| 127 | 19602-32 | 4122155 | 4.00 | Halter | Fixation | Bracket | |
| 128 | 19601-22 | 4122113 | 1.00 | Traverse | Traverse | Tie Bar | |
| 129 | 19601-21 | 4122114 | 1.00 | Traverse | Traverse | Tie Bar | |
| 130 | 1756/4 | 4048930 | 4.00 | Unterlagscheibe 8,4/20x2 | Rondelle 8,4/20x2 | Washer 8,4/20x2 | |
| 131 | 19601-44 | 4122110 | 4.00 | Zentrierschraube | Vis de centrage | Centering Screw | |
| 132 | 1132/27 | 4023420 | 4.00 | Zyl-Schr I-6Kt M8x16 | Vis cyl. à trou 6 p. M 8x16 | Socket Head Cap Screw M 8x16 | |
| 133 | 2911/14 | 4008670 | 4.00 | Sicherungsring 14x1 A | Rondelle "seeger" 14 A | Retaining Ring 14 A | |
| 134 | 1752/112 | 4076740 | 4.00 | Unterlagscheibe 15/28x2,5 | Rondelle 15/28 | Washer 15/28 | |
| 135 | 19601-52 | 4122111 | 4.00 | Gummischeibe 28/13,5x4 | Rondelle à caoutchouc | Rubber Disc 28x13,5x4 | |
| 136 | 19602-99 | 4122156 | 2.00 | Bügel | Fixation | Bracket | |
| 137 | 1840/022 | 4087930 | 4.00 | Delta PT-Schr LK As Torx 60x16 | Vis Delta PT Torx 60x16 | Screw Delta PT Torx 60x16 | |
| 138 | 19607-21 | 4122104 | 1.00 | Frontpartie | Boîtier de front swingo | Front Cover Swingo | |
| 139 | 8936/1 | 4017370 | | Sicherungs-Klebstoff mittel | Colle p. blocage moyen 50 gr | Adhesive Locking Middle 50Gr | |
| 140 | 8952/110 | 4124685 | | Schnellkleber Kunststoff/Gummi | Colle rapide p.plast+caoutch | Quick Adhesive F.Plastic+Gum | |
| - | - | - | | - | - | - | - |
| - | - | - | | - | - | - | - |
| 150 | 7508030 | 7508030 | | 1.00 | Batterieunterlage | Support de Batteries | Battery Support |



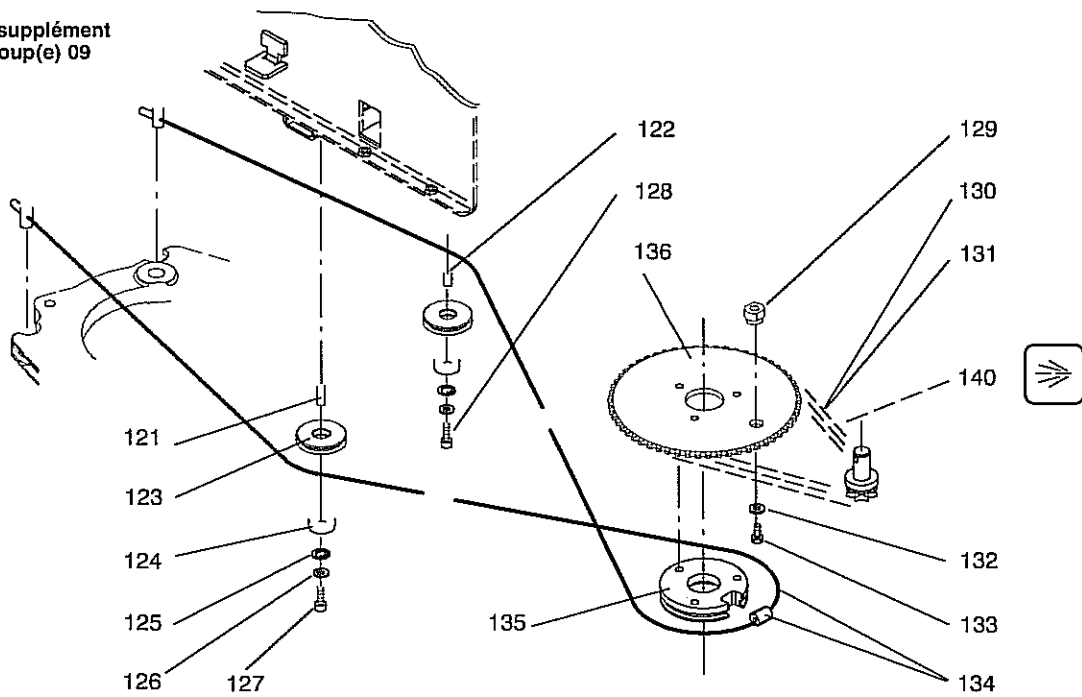
| S004087 | | | | | Lenkung | Direction | Guidance |
|----------|---------------------------------|---------------------------------|-------|------------------|--------------------------------|-----------------------------|------------------------------|
| Pos. No. | Artikelnr. Article No. Item No. | Bestellnr. No. de com Order No. | Model | Stück. Pié. Qty. | Bezeichnung | Designation | Description |
| 101 | 19600-97 | 4122149 | | 1.00 | Blinddeckel | Capot | Cap |
| 102 | 1721/107 | 4122132 | | 2.00 | Sicherungsmutter M12 | Écrou de sureté M 12 | Self-Locking Nut M 12 |
| 103 | 1752/126 | 4040060 | | 1.00 | Unterlagscheibe 13/37x3 | Rondelle 13/40 | Washer 13/40 |
| 104 | 19600-96 | 4122145 | | 1.00 | Lenkrad 320 | Volant de direction 320 | Steering Wheel 320 |
| 105 | 19600-56 | 4122133 | | 1.00 | Lenkrad-Nabe | Flasque | Flange |
| 106 | 19600-85 | 4122144 | | 1.00 | Lenkwelle oben | Axe | Axle |
| 107 | 19601-58 | 4122139 | | 1.00 | Schild Taski | Plaquette - TASKI - | Label - TASKI - |
| 108 | 1840/022 | 4087930 | | 4.00 | Delta PT-Schr LK As Torx 60x16 | Vis Delta PT Torx 60x16 | Screw Delta PT Torx 60x16 |
| 109 | 19602-23 | 4122150 | | 1.00 | Durchführungstülle | Douille de passage | Grommet |
| 111 | 1132/27 | 4023420 | | 6.00 | Zyl-Schr I-6Kt M8x16 | Vis cyl. à trou 6 p. M 8x16 | Socket Head Cap Screw M 8x16 |
| 112 | 2573/415 | 4127222 | | 1.00 | Axiallagerscheibe 35/52x1 | Disque de palier 35/52x1 | Bearing Disc 35/52x1 |
| 113 | 1014/55 | 4006100 | | 3.00 | 6Kt-Schr M8x40/22 | Vis à tête six pans M 8x40 | Hexagon Screw M 8x40 |
| 114 | 2611/101 | 4096410 | | 1.00 | Schmiernippel M6 | Graisseur | Lubricator Nipple |
| 115 | 2911/132 | 4088010 | | 1.00 | Sicherungsring 35x1,5 A | Rondelle "seeger" 35 A | Retaining Ring 35 A |
| 116 | 2916/033 | 4122801 | | 1.00 | Halbmondring 45x1,75 | Anneau croissant 45x1,75 | Retaining Ring 45x1,75 |
| 117 | 19603-85 | 4122799 | | 1.00 | Lagerhülse | Coussinet | Bearing Bush |
| 118 | 19600-61 | 4122134 | | 1.00 | Lenkungsträger | Support | Bracket |
| 126 | 19607-35 | 4122152 | | 1.00 | Lenksäulenschalung | Boltier - direction swingo | Hood - Guidance Swingo |
| 127 | 2123/001 | 4122117 | | 1.00 | Kreuzgelenk 17 | Joint de cardan | Jardan Joint |
| 128 | 19601-87 | 4122138 | | 1.00 | Lenkwelle unten | Axe | Axle |
| 129 | 19600-62 | 4121999 | | 1.00 | Radgabel | Support de direction | Wheel Support |
| 130 | 19600-63 | 4122135 | | 1.00 | Radachse | Axe | Axle |
| 131 | 19600-71 | 4122148 | | 1.00 | Lagerwinkel | Équerre | Angled Bracket |
| 132 | 2505/625 | 4122092 | | 3.00 | Gleitlager 20/23/30x11,5 | Coussinet 20/23/30-11,5 | Slide Bearing 20/23/30-11,5 |
| 133 | 19600-69 | 4122143 | | 1.00 | Kettenritzel 8 | Roue à chaîne 8 | Chain Wheel 8 |
| 134 | 1921/512 | 4122131 | | 1.00 | Spiral-Spannstift 5x24 | Goupille extensible 5x24 | Extensible Pin 5x24 |
| 135 | 1742/100 | 4064780 | | 4.00 | Distanzscheibe 20/32x0,5 | Entretoise 20/32x0,5 | Distance Disc 20/32x0,5 |
| 136 | 1752/126 | 4040060 | | 1.00 | Unterlagscheibe 13/37x3 | Rondelle 13/40 | Washer 13/40 |
| 137 | 1004/75 | 4006060 | | 2.00 | 6Kt-Schr M8x20 | Vis à tête six pans M 8x20 | Hexagon Screw M 8x20 |
| 138 | 1756/4 | 4048930 | | 2.00 | Unterlagscheibe 8,4/20x2 | Rondelle 8,4/20x2 | Washer 8,4/20x2 |
| 139 | 1132/31 | 4042640 | | 2.00 | Zyl-Schr I-6Kt M8x30 | Vis cyl. à trou 6 p. M 8x30 | Socket Head Cap Screw M 8x30 |
| 140 | 19600-67 | 4122142 | | 2.00 | Distanzscheibe 20,5/35x7,4 | Disque de distance | Distance Bush |
| 141 | 19603-75 | 4122500 | | 2.00 | Rad 200/50 | Roue 200 | Wheel 200 |
| 142 | 19600-68 | 4122147 | | 1.00 | Buchse 20,5/25x9,8 | Douille de distance | Distance Bush |
| 143 | 8961/2 | 4124680 | | 1.00 | Klebstoff Balco ME | Colle Balco ME tube 120 gr | Balco ME Glue Tube 120 gr |
| 144 | 1004/214 | 4069420 | | 2.00 | 6Kt-Schr M8x35 | Vis à tête six pans M 8x35 | Hexagon Screw M 8x35 |
| 145 | 1721/6 | 4007340 | | 2.00 | Sicherungsmutter M8 | Écrou de sureté M 8 | Self-Locking Nut M 8 |



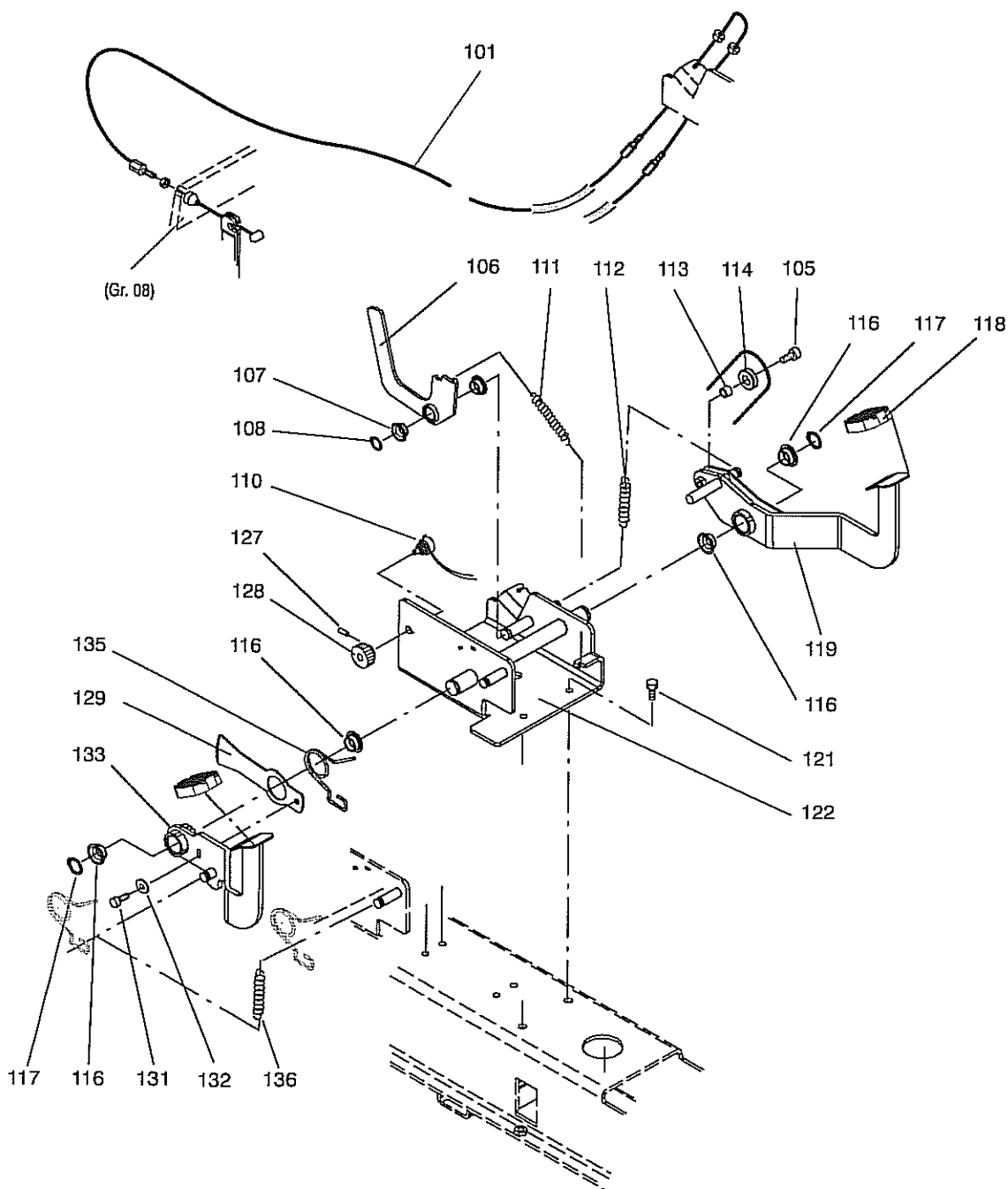
| S004249 | | | | | Bedienungstableau | Tableau de commande | Control board |
|----------|---------------------------------|----------------------------------|-------|-----------------|------------------------------|-------------------------------|-------------------------------|
| Pos. No. | Artikelnr. Article No. Item No. | Bestellnr. No. de comm Order No. | Model | Stck. Piè. Qty. | Bezeichnung | Designation | Description |
| 101 | 1840/321 | 4122130 | | 9.00 | PT-Schr SK Torx KA35x10 | Vis p.plastique Torx KA 35x10 | Screw F.Plastic Torx KA 35x10 |
| 102 | 19602-45 | 4122151 | | 1.00 | Dichtung Keyboard | Joint | Gasket |
| 103 | 19604-13 | 4123001 | | 1.00 | Keyboard | Keyboard | Keyboard |
| 105 | 19604-33 | 4123002 | | 1.00 | LCD Control Panel | LCD control panel | LCD Control Panel |
| 106 | 5100/019 | 4123736 | | 2.00 | Buchse 4,2/8x10 | Douille 4,2/8x10 | Bush 4,2/8x10 |
| 107 | 19604-20 | 4123003 | | 1.00 | Adapterprint LCD | Adapter print | Adapter Print |
| 108 | 1721/3 | 4007330 | | 2.00 | Sicherungsmutter M4 | Écrou de sureté M 4 | Self-Locking Nut M 4 |
| 109 | 19602-76 | 4123004 | | 1.00 | Aufkleber 0-1 | Plaquelette 0-1 | Label 0-1 |
| 110 | 18506-68 | 4089440 | | 1.00 | Schlüsselschalter Set | Interrupteur a clé amov.(kit) | Key Switch (Set) |
| 111 | 4601/130 | 4116310 | | 1.00 | Schlüssel | Clé | Key |
| 112 | 19601-45 | 4122123 | | 1.00 | Schalterblech | Support pour interrupteur | Switch Bracket |
| 113 | 5120/005 | 4122973 | | 1.00 | Piezo-Summer | Sorce de son | Source Of Sound |
| 114 | 1840/006 | 4025970 | | 6.00 | PT-Schr LK KS KA40x10 | Vis pour plastique KA 40x10 | Screw For Plastic KA 40x10 |
| 115 | 4571/111 | 4121089 | | 1.00 | Hebelschaller | Interrupteur | Switch |
| - | - | - | | - | - | - | - |
| 121 | 19609-68 | 4122216 | | 1.00 | Bolzen | Goujon | Bolt |
| 122 | 19609-69 | 4122217 | | 1.00 | Bolzen | Goujon | Bolt |
| 123 | 19604-92 | 4126890 | | 2.00 | Umlenkrolle 70 | Poulie à déviation | Deflection Roller |
| 124 | 2530/102 | 4021890 | | 2.00 | Fillenkugellager 6002 2RS | Roulement à billes 6002 2 RS | Ball Bearing 6002 2 RS |
| 125 | 2912/25 | 4008720 | | 2.00 | Sicherungsring 32x1,2 J | Rondelle "seeger" 32 J | Retaining Ring 32 J |
| 126 | 19601-71 | 4122191 | | 2.00 | Unterlagscheibe 8,5/17,5x2,5 | Rondelle | Washer |
| 127 | 1137/36 | 4020050 | | 1.00 | Zyl-Schr I-6Kt M8x45/28 | Vis cyl. à trou 6 p. M 8x45 | Socket Head Cap Screw M 8x45 |
| 128 | 1132/31 | 4042640 | | 1.00 | Zyl-Schr I-6Kt M8x30 | Vis cyl. à trou 6 p. M 8x30 | Socket Head Cap Screw M 8x30 |
| 129 | 19600-72 | 4122168 | | 1.00 | Anschlagbolzen | Goujon d'arrêt | Stop Bolt |
| 130 | 2161/001 | 4122220 | | 1.00 | Rollenkette 3/8" 59 Glieder | Chaîne à rouleaux 3/8" | Roller Chain 3/8" |
| 131 | 2162/100 | 4122221 | | 1.00 | Kettenverbindungsglied 3/8" | Joint de chaîne 3/8" | Chain Joint 3/8" |
| 132 | 1756/4 | 4048930 | | 1.00 | Unterlagscheibe 8,4/20x2 | Rondelle 8,4/20x2 | Washer 8,4/20x2 |
| 133 | 1004/205 | 4056320 | | 1.00 | 6Kt-Schr M8x12 | Vis à tête six pans M 8x12 | Hexagon Screw M 8x12 |
| 134 | 19601-60 | 4121903 | | 1.00 | Lenkseil 5 | Câble de direction 5 | Directing Rope 5 |
| 135 | 19601-46 | 4122184 | | 1.00 | Seilrolle 90 | Rouleau de corde | Rope Roller |
| 136 | 19600-70 | 4122128 | | 1.00 | Kellenscheibe 57 | Roue dentée 57 | Chain Wheel 57 |
| 140 | 8921/104 | 4103470 | | | Korrosions-Schutzsray, 300ML | Spray anticorrosif fin grease | Spray Anticorross. Fin Grease |



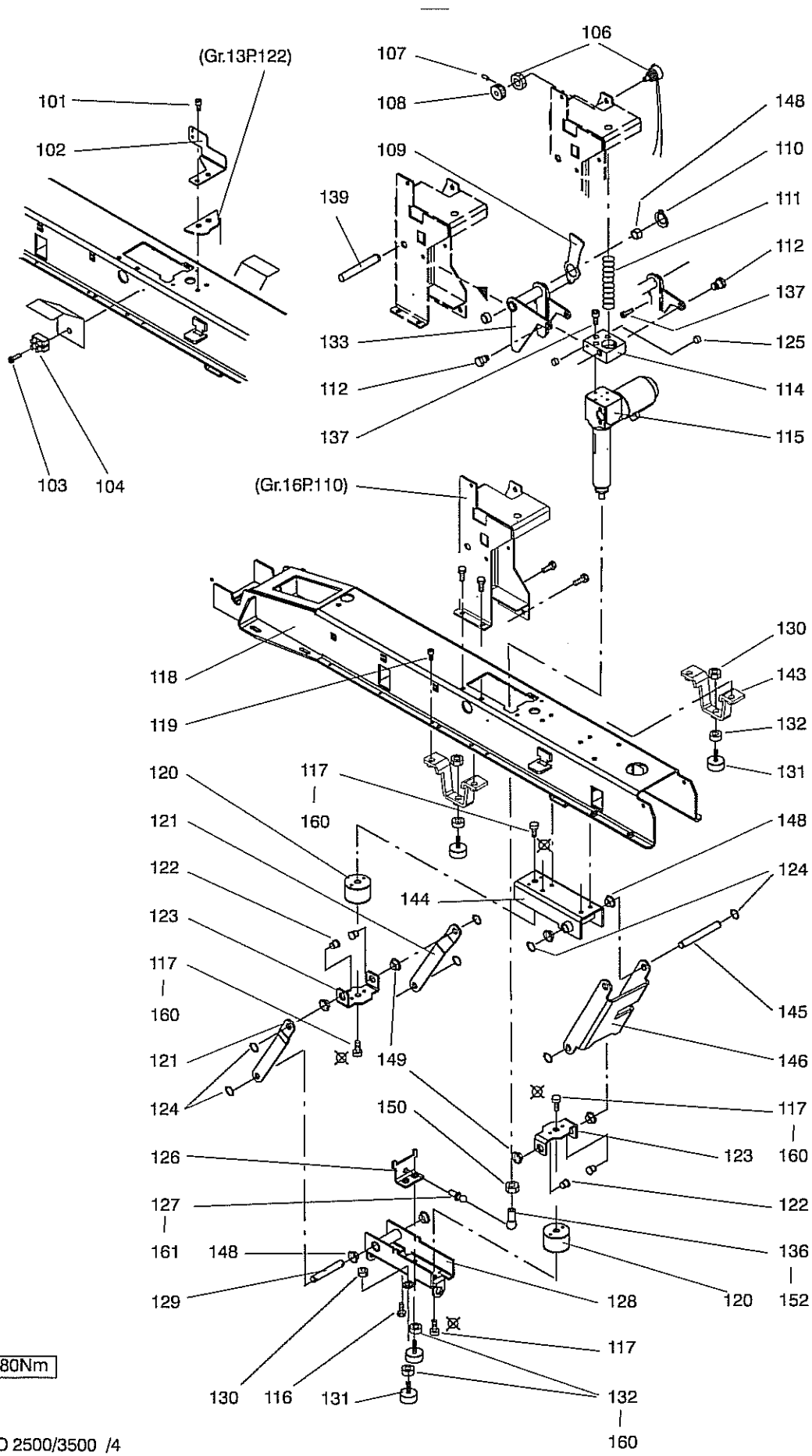
Ergänzung, supplément
 Gruppe, group(e) 09



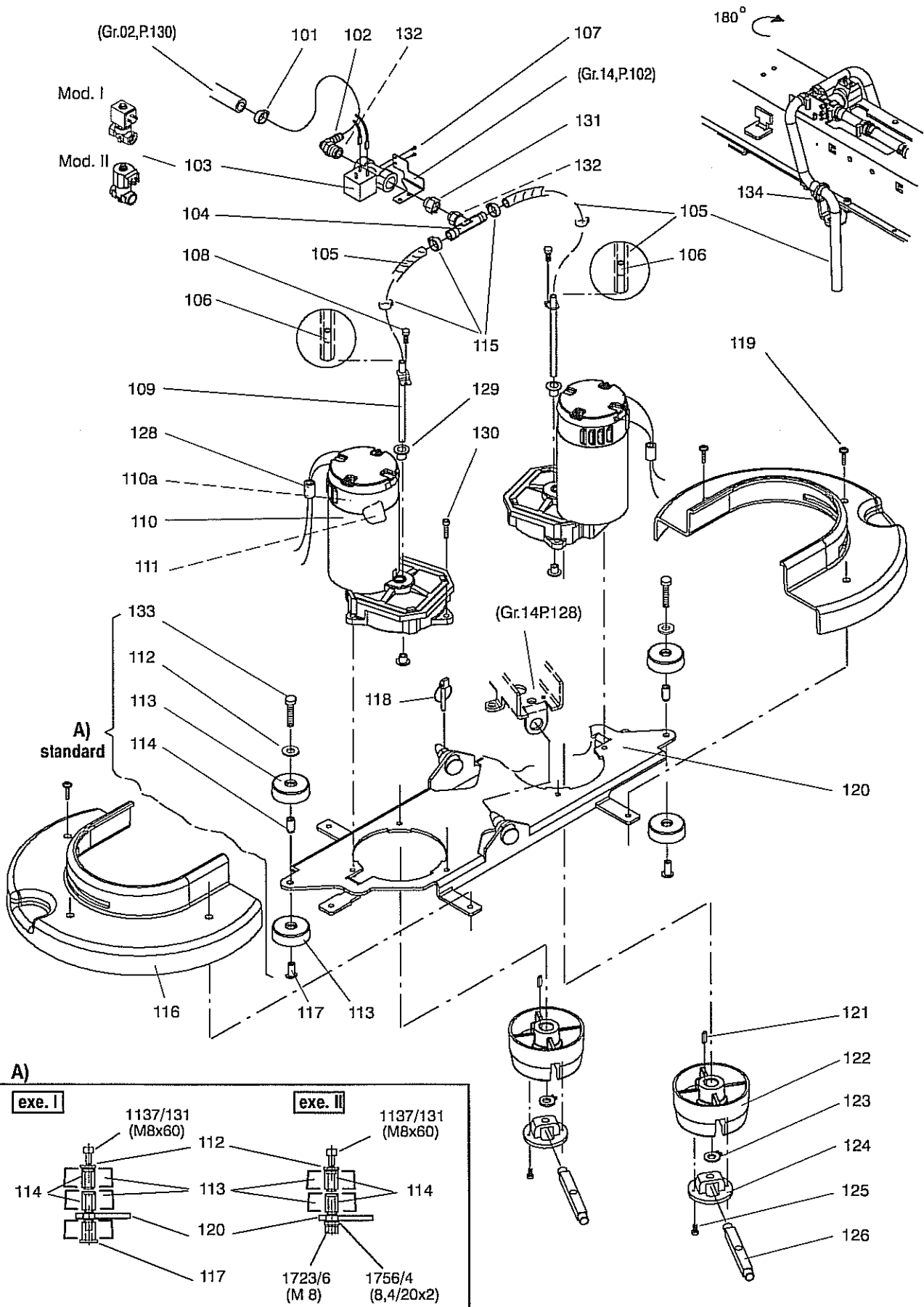
| S004421 | | | | | Pedale | Pédales | Pedals |
|----------|---------------------------------|---------------------------------|-------|------------------|-------------------------------|-------------------------------|------------------------------|
| Pos. No. | ArtikeInr. Article No. Item No. | Bestellnr. No. de com Order No. | Model | Stück. Piè. Qty. | Bezeichnung | Designation | Description |
| 101 | 19603-43 | 4121904 | | 1.00 | Bremsseil konf. | Câble métallique compl. | Metal Rope Assy. |
| 105 | 1132/30 | 4042650 | | 1.00 | Zyl-Schr I-6Kt M8x25 | Vis cyl. à trou 6 p. M 8x25 | Socket Head Cap Screw M 8x25 |
| 106 | 19600-98 | 4122171 | | 1.00 | Arretierungshebel | Levier d'arrêt | Stop Lever |
| 107 | 2505/615 | 4025740 | | 2.00 | Gleitlager 14/16/22x12 | Coussinet | Slide Bearing |
| 108 | 2911/14 | 4008670 | | 1.00 | Sicherungsring 14x1 A | Rondelle "seeger" 14 A | Retaining Ring 14 A |
| 110 | 19603-62 | 4122579 | | 1.00 | Potentiometer 5 kOhm bestückt | Potentiomètre 5 kOhm | Potentiometer 5 kOhm |
| 111 | 2807/423 | 4077940 | | 1.00 | Zugfeder 1,6/14,1x59 | Ressort de tension 4,1x59 | Tension Spring 4,1x59 |
| 112 | 2806/005 | 4122227 | | 1.00 | Zugfeder 2,8/20x53,8 | Ressort d.tension 2,8/20x53,8 | Tension Spring 2,8/20x53,8 |
| 113 | 19609-96 | 4122219 | | 1.00 | Buchse 8,2/12x8,9 | Douille | Bush |
| 114 | 19609-95 | 4122218 | | 1.00 | Bremsseilrolle | Poulie de corde | Rope Pulley |
| 116 | 2505/625 | 4122092 | | 4.00 | Gleitlager 20/23/30x11,5 | Coussinet 20/23/30-11,5 | Slide Bearing 20/23/30-11,5 |
| 117 | 2911/20 | 4023470 | | 2.00 | Sicherungsring 20x1,2 A | Rondelle "seeger" 20 A | Retaining Ring 20 A |
| 118 | 19511-34 | 4096120 | | 2.00 | Pedalabdeckung | Patin à pédale | Pedal Pad |
| 119 | 19601-07 | 4122174 | | 1.00 | Bremspedal | Pedale du frein | Brake Pedal |
| 121 | 1004/207 | 4065230 | | 4.00 | 6Kt-Schr M8x16 | Vis à tête six pans M 8x16 | Hexagon Screw M 8x16 |
| 122 | 19601-05 | 4122172 | | 1.00 | Pedalträger | Support | Support |
| 127 | 1537/103 | 4027920 | | 1.00 | Gewindestift I-6Kt KK M3x5 | Vis sans tête M 3x5 | Hexagon Grub Screw M 3x5 |
| 128 | 17580-08 | 4083370 | | 1.00 | Ritzel 17 | Roue dentée 17 D | Toothed Wheel 17 T |
| 129 | 19601-16 | 4122129 | | 1.00 | Schallsegment | Levier | Lever |
| 131 | 1202/309 | 4031540 | | 1.00 | L-Schr KS M5x16 | Vis à tête cyl. M 5x16 | Cheese Head Screw M 5x16 |
| 132 | 1752/123 | 4060330 | | 1.00 | Unterlagscheibe 5,3/15x1,2 | Rondelle 5,3/15x1,2 | Washer 5,3/15x1,2 |
| 133 | 19601-06 | 4122173 | | 1.00 | Gaspedal | Accélérateur | Accelerator |
| 135 | 19604-40 | 4122912 | | 1.00 | Torsionsfeder 3/38,5 | Ressort | Spring |
| 136 | 2806/008 | 4122913 | | 1.00 | Zugfeder 1,8/20x46 | Ressort de tension 1,8/20x46 | Tension Spring 1,8/20x46 |



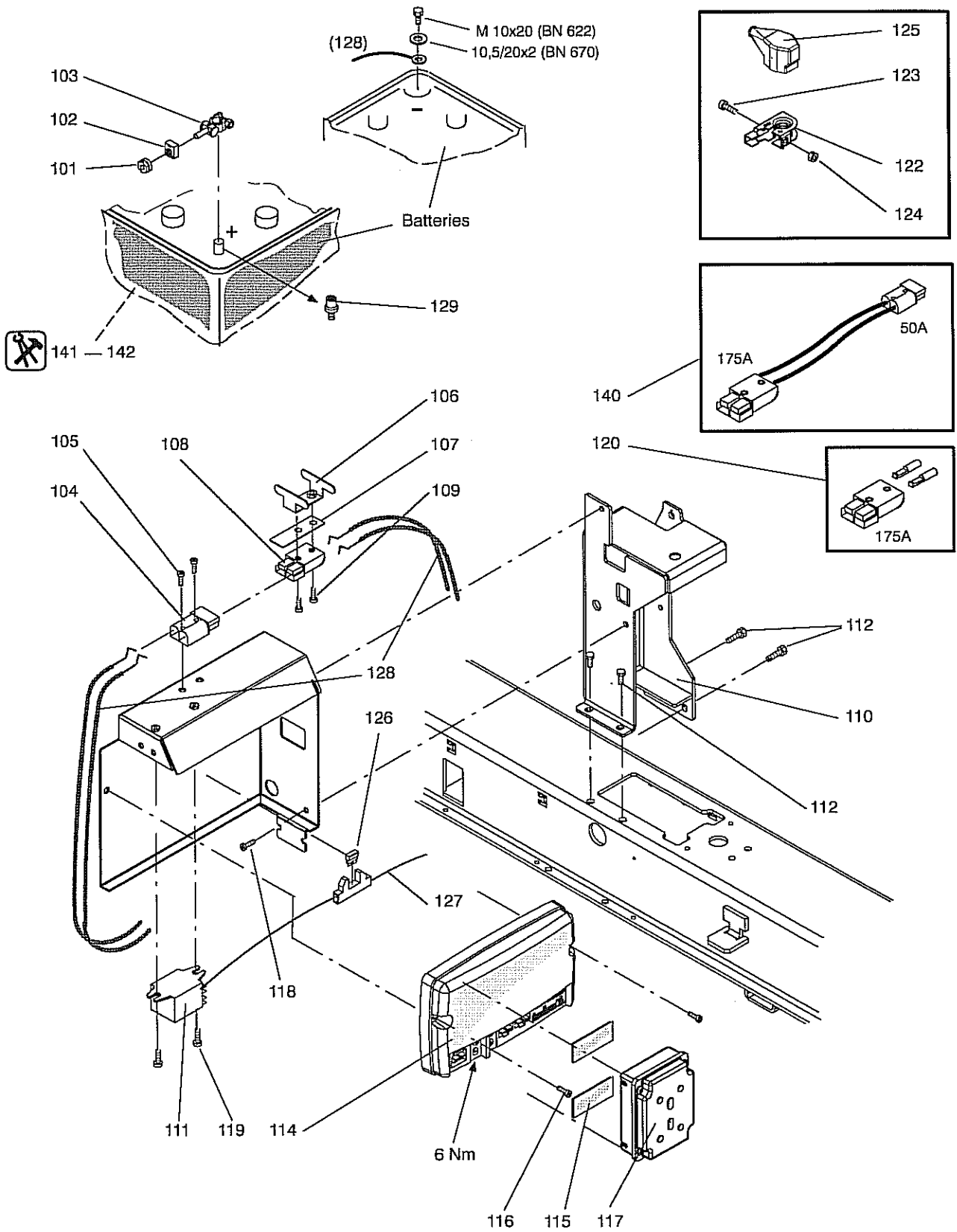
| S004257 | | | | | Bürstenabsenkung | Dispositif de brosse | Tool lowering unit |
|----------|---------------------------------|---------------------------------|-------|-----------------|--|-------------------------------|------------------------------|
| Pos. No. | Artikelnr. Article No. Item No. | Bestellnr. No. de com Order No. | Model | Stck. Piè. Qty. | Bezeichnung | Designation | Description |
| 101 | 1004/211 | 4064840 | | 2.00 | 6Kt-Schr M8x25 | Vis à tête six pans M 8x25 | Hexagon Screw M 8x25 |
| 102 | 19604-43 | 4123089 | | 1.00 | Ventilhaller | Support | Bracket |
| 103 | 1134/130 | 4079170 | | 2.00 | Zyl-Schr I-6Kt M4x20 | Vis cyl. à trou 6 p. M 4x20 | Socket Head Cap Screw M 4x20 |
| 104 | 4016/252 | 4108420 | | 2.00 | Klemmenleiste 2-Pol 10 mm ² | Serre-fils 2-pôles | Connection Bloc 2-Ways |
| 106 | 19603-62 | 4122579 | | 1.00 | Potentiometer 5 kOhm bestückt | Potentiomètre 5 kOhm | Potentiometer 5 kOhm |
| 107 | 1537/103 | 4027920 | | 1.00 | Gewindestift I-6Kt KK M3x5 | Vis sans tête M 3x5 | Hexagon Grub Screw M 3x5 |
| 108 | 17580-08 | 4083370 | | 1.00 | Ritzel 17 | Roue dentée 17 D | Toothed Wheel 17 T |
| 109 | 19601-16 | 4122129 | | 1.00 | Schaltsegment | Levier | Lever |
| 110 | 2911/113 | 4064740 | | 1.00 | Sicherungsring 15x1 A | Rondelle "seegeer" 15 A | Retaining Ring 15 A |
| 111 | 2803/112 | 4122969 | | 1.00 | Druckfeder 4/29x140 | Ressort de pression 4/29x140 | Pressure Spring 4/29x140 |
| 112 | 19604-57 | 4122970 | | 2.00 | Bundschraube M8 | Vis d'assemblage à embase M 8 | Bolt With Collar M 8 |
| 114 | 19604-55 | 4122971 | | 1.00 | Klotz | Bloc | Bloc |
| 115 | 19604-63 | 4123090 | | 1.00 | Linearantrieb 24V 150mm | Mécanisme élévateur | Lifting Cylinder |
| 116 | 1004/207 | 4065230 | | 6.00 | 6Kt-Schr M8x16 | Vis à tête six pans M 8x16 | Hexagon Screw M 8x16 |
| 117 | 1004/246 | 4088860 | | 4.00 | 6Kt-Schr M12x14 | Vis à tête six pans M 12x14 | Hexagon Screw M 12x14 |
| 118 | 19600-18 | 4122800 | | 1.00 | Chassis | Châssis swingo 2500, 3500 | Chassis Swingo 2500, 3500 |
| 119 | 1132/27 | 4023420 | | 4.00 | Zyl-Schr I-6Kt M8x16 | Vis cyl. à trou 6 p. M 8x16 | Socket Head Cap Screw M 8x16 |
| 120 | 19600-45 | 4121891 | | 2.00 | Federelement | Amortisseur | Buffer |
| 121 | 19609-10 | 4122215 | | 2.00 | Strebe | Jambe de force | Strut |
| 122 | 19608-65 | 4122209 | | 4.00 | Bolzen | Goujon | Bolt |
| 123 | 19600-45 | 4122167 | | 2.00 | Bügel | Etrier | Bracket |
| 124 | 2911/113 | 4064740 | | 8.00 | Sicherungsring 15x1 A | Rondelle "seegeer" 15 A | Retaining Ring 15 A |
| 125 | 19604-67 | 4123091 | | 1.00 | Zapfen | Teron | Pivot |
| 126 | 19601-42 | 4122183 | | 1.00 | Mitnehmerwinkel | Équerre | Bracket |
| 127 | 19604-35 | 4122909 | | 2.00 | Kugelzapfen 16 M10 | Pivot a bille 16/M 10 | Ball Pivot 16/M 10 |
| 128 | 19601-40 | 4122181 | | 1.00 | Träger unten | Support | Support |
| 129 | 19608-84 | 4122208 | | 1.00 | Bolzen | Goujon | Bolt |
| 130 | 1654/7 | 4007200 | | 4.00 | Sechskantmutter M8 | Écrou à six pans M 8 | Hexagon Nut M 8 |
| 131 | 3055/40 | 4040780 | | 4.00 | Puffer 40x15 | Butoir | Buffer-Stop |
| 132 | 17503-13 | 4032470 | | 4.00 | Buchse 8,2/16x10 | Douille | Bush |
| 133 | 19604-54 | 4123092 | | 1.00 | Wippe | Bascule | Jack |
| 136 | 2124/4 | 4041420 | | 2.00 | Kugelpfanne 16 M10 | Cuvelle spherique 16/M 10 | Ball Cup 16/M 10 |
| 137 | 1142/5 | 4006550 | | 5.00 | Zyl-Schr I-6Kt M5x12 | Vis cyl. à trou 6 p. M 5x12 | Socket Head Cap Screw M 5x12 |
| 139 | 19604-52 | 4122972 | | 1.00 | Achse | Axe | Axle |
| 143 | 19601-89 | 4122192 | | 2.00 | Distanzstück | Support | Support |
| 144 | 19601-41 | 4122182 | | 1.00 | Träger oben | Support | Support |
| 145 | 19608-88 | 4122210 | | 1.00 | Bolzen | Goujon | Bolt |
| 146 | 19609-67 | 4122214 | | 1.00 | Schwankarm | Levier pivotant | Rocker |
| 148 | 2505/618 | 4085250 | | 6.00 | Gleitlager 15/17/23x12 | Coussinet 15/17/23-12 | Slide Bearing 15/17/23-12 |
| 149 | 2505/650 | 4122093 | | 4.00 | Gleitlager 15/17/23x06 | Coussinet 15/17/23-06 | Slide Bearing 15/17/23-06 |
| 150 | 1660/107 | 4122166 | | 1.00 | Sechskantmutter M10 0,5D | Écrou à six pans M 10 0,5D | Hexagon Nut M 10 0,5D |
| 152 | 2124/54 | 4041410 | | 1.00 | Sicherungsbügel 16 | Bride de sécurité 16 | Safety Clip 16 |
| 160 | 8936/1 | 4017370 | | | Sicherungs-Klebstoff mittel | Colle p. blocage moyen 50 gr | Adhesive Locking Middle 50Gr |
| 161 | 8938/2 | 4050800 | | | Sicherungs-Klebstoff Hochfest | Colle pour blocage fort | Adhesive Locking Strong |



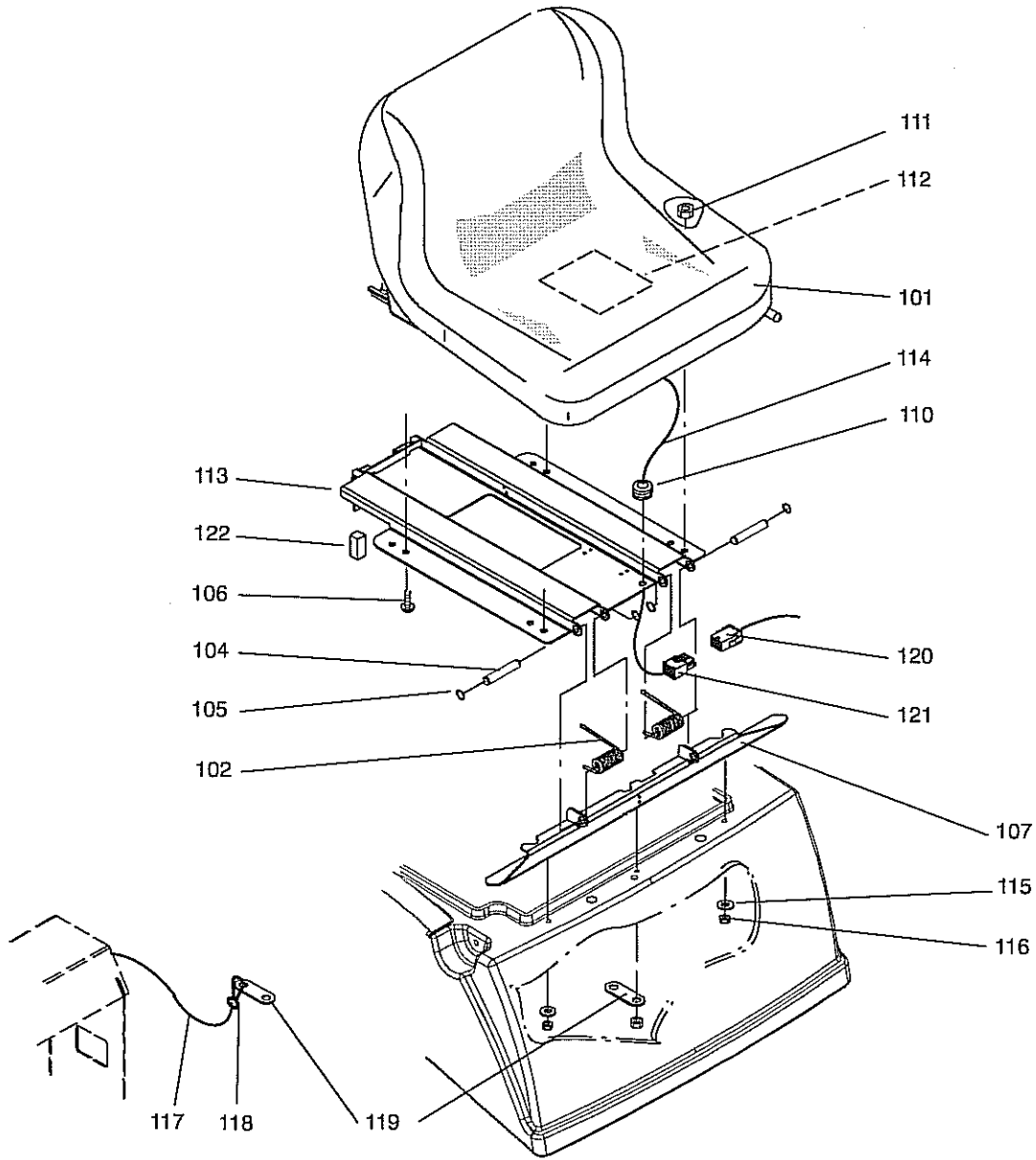
| S004127 | | | | | Bürstenantrieb | Entraînement des brosses | Brush drive |
|----------|---------------------------------|---------------------------------|-------------|------------------|--------------------------------|--------------------------------|-------------------------------|
| Pos. No. | Artikelnr. Article No. Item No. | Bestellnr. No. de com Order No. | Modal | Stück. Pjè. Qty. | Bezeichnung | Designation | Description |
| 101 | 2178/12 | 4042280 | | 1.00 | Schlauchklemme 12-22 | Bride 12-22 | Hose Clamp 12-22 |
| 102 | 2720/112 | 4126625 | | 1.00 | Winkelniessel 12 R1/2" | Biberon coudé 12 R1/2" | Angled Hose Nipple 12 R1/2" |
| 103 | 4691/104 | 4084520 | | 1.00 | Mag-Ventil 24V | Soupape magnétique 24 V | Magnetic Valve 24V |
| 104 | 2720/114 | 4122225 | | 1.00 | T-Einschr.-Stutzen 10/R3/8" | Raccord en T 10-R3/8" | T-Pipe 10-R3/8" |
| 105 | 8820/10 | 4028460 | 0,475m | 2.00 | Schlauch m Draht 10/16 | Tuyau spiralflex 10/16 le m | Hose Spiralflex 10/16 Per M |
| 106 | 18521-16 | 4101540 | | 2.00 | Reduktionshülse | Connecteur | Connector |
| 107 | 1135/20 | 4019410 | | 2.00 | Zyl-Schr I-6Kt M5x8 | Vis cyl. à trou 6 p. M 5x8 | Socket Head Cap Screw M 5x8 |
| 108 | 1852/123 | 4122017 | | 2.00 | Gew-Form-L-Schr Torx M4x6 | Vis autofiletage M 4x6 | Self-Thread-Form.Screw M 4x6 |
| 109 | 19601-59 | 4122189 | | 2.00 | Auslaufrohr | Tuyau de descente | Outlet Tube |
| 110 | 19601-04 | 4121894 | | 2.00 | Getriebemotor 24V 414W 21,7A | Moteur | Motor |
| 110a | 3395/036 | 4099850 | | 1.00 | Band mit Schnalle | Collier avec grenouillère | Collar With Cramp |
| 111 | 3395/085 | 4121974 | | 1.00 | Kohlebürsten Set | Balai charbon (kit, 4 pièces) | Carbon Brush (Set, 4 Parts) |
| 113 | 15050-3 | 4023780 | | 4.00 | Rolle | Roulette de détour | Bumper Wheel |
| 114 | 19608-43 | 4122207 | | 2.00 | Bundbuchse Ø,2/9,9/12x24,5 | Douille | Bush |
| 115 | 2174/4 | 4028450 | | 4.00 | Schlauchklemme 11-16 | Bride 11-16 | Hose Clamp 11-16 |
| 116 | 19601-29 | 4122126 | swingo 2500 | 2.00 | Bürstenhaube 700 | Capot de brosse swingo 2500 | Brush Housing Swingo 2500 |
| 116 | 19601-30 | 4122127 | swingo 3500 | 2.00 | Bürstenhaube 850 | Capot de brosse swingo 3500 | Brush Housing Swingo 3500 |
| 117 | 19603-34 | 4122205 | | 2.00 | Bundbuchse M8/12/20x27,5 | Douille à collet | Flanged Bush |
| 118 | 1936/103 | 4121895 | | 1.00 | Klappsplint Ø | Goupille avec bague Ø | Pin With Ring Ø |
| 119 | 1425/134 | 4122652 | | 6.00 | L-Schr I-6Kt mit Flansch M8x20 | Vis à tête bomb.flasque M8x20 | Flange Sock.Head Screw M 8x20 |
| 120 | 19600-41 | 4122125 | swingo 2500 | 1.00 | Bürstenplatte 700 | Plaque de montage swingo 2500 | Base Plate Swingo 2500 |
| 120 | 19600-42 | 4122124 | swingo 3500 | 1.00 | Bürstenplatte 850 | Plaque de montage swingo 3500 | Base Plate Swingo 3500 |
| 121 | 2201/20 | 4042300 | | 2.00 | Federkeil 6/6x25 | Clavette 6/6x25 | Key 6/6x25 |
| 122 | 19601-31 | 4122179 | | 2.00 | Kupplung | Roue d'accouplement | Coupling Wheel |
| 123 | 2911/22 | 4023410 | | 2.00 | Sicherungsring 22x1,2 A | Rondelle "seeger" 22 A | Retaining Ring 22 A |
| 124 | 17050-6 | 4036180 | | 2.00 | Kupplungsjoch | Guide d'accouplement | Coupling Yoke |
| 125 | 1300/23 | 4006870 | | 4.00 | S-Schr I-6Kt M6x16 | Vis con. à trou 6 pans M 6x16 | Counters. Hd.Cap Screw M 6x16 |
| 126 | 19500-36 | 4079390 | | 2.00 | Achse | Axe | Axle |
| 128 | 4850/105 | 4122229 | | 2.00 | Ferrit-Ringkern 26/13x28,5 | Self à noyau torique 26/13 | Toroidal Choke 26/13x28,5 |
| 129 | 2511/112 | 4129349 | | 4.00 | Gleitlager 10/12/18x7 | Coussinet | Slide Bearing |
| 130 | 1137/38 | 4049610 | | 6.00 | Zyl-Schr I-6Kt M8x55/28 | Vis cyl. à trou 6 p. M 8x55 | Socket Head Cap Screw M 8x55 |
| 131 | 2707/101 | 4122955 | | 1.00 | Reduktionsniessel 1/2"-3/8" | Réduction 1/2"-3/8" | Reducing Nipple 1/2"-3/8" |
| 132 | 8806/13 | 4031920 | | | Teflonband 12 | Bande de teflon 12 mm rouleau | Teflon Tape 12 mm Roll |
| 133 | 1137/38 | 4049610 | | 2.00 | Zyl-Schr I-6Kt M8x55/28 | Vis cyl. à trou 6 p. M 8x55 | Socket Head Cap Screw M 8x55 |
| 134 | 4215/3 | 4023260 | | 1.00 | Kabelbinder 200 | Bande à lier les câbles 200 mm | Cable Tie 200 mm |



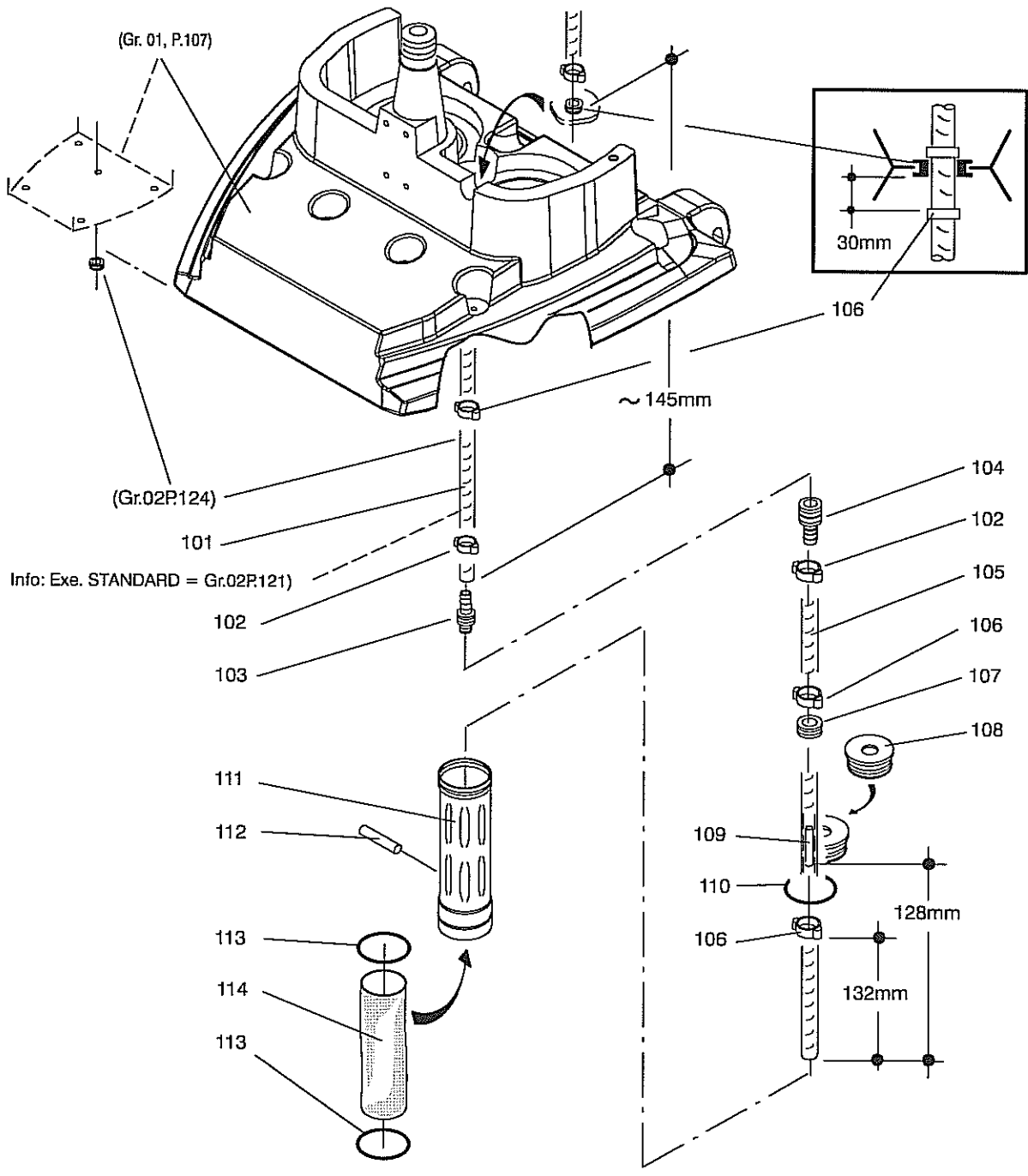
| S004271 | | | | | Elektroteile | Pièces électrique | Electrical parts |
|----------|---------------------------------|---------------------------------|--------|-------------------|-------------------------------|---------------------------------|------------------------------|
| Pos. No. | Artikelnr. Article No. Item No. | Bestellnr. No. de com Order No. | Modell | Stück. Plät. Qty. | Bezeichnung | Designation | Description |
| 101 | 4956/112 | 4122606 | | 1.00 | Isoliermutter | Écrou isolante | Insulating Nut |
| 102 | 4956/114 | 4123093 | | 1.00 | Sicherungseinsatz 125A | Cartouche fusible 125A | Fuse Cartridge 125A |
| 103 | 4956/111 | 4122638 | | 1.00 | Batterieklammer f. Sicherung | Borne de batterie | Cable Clamp, Battery |
| 104 | 19602-97 | 4121896 | | 1.00 | Ladesteckergehäuse mit Stift | Bâti de fiche de charge a.gou | Charger Jack Housing W. Pin |
| 105 | 1137/18 | 4006520 | | 2.00 | Zyl-Schr I-6Kt M6x30 | Vis cyl. à trou 6 p. M 6x30 | Socket Head Cap Screw M 6x30 |
| 106 | 19600-83 | 4122169 | | 1.00 | Steckergriff | Poignée | Handle |
| 107 | 19603-98 | 4122613 | | 1.00 | Blech | Plaque | Plate |
| 108 | 19602-96 | 4121897 | | 1.00 | Ladesteckergehäuse mit Loch | Bâti de fiche de charge av. tro | Charger Jack Housing W. Hole |
| 109 | 1139/14 | 4042570 | | 2.00 | Zyl-Schr I-6Kt Nk Sf M6x30/18 | Vis cyl. à trou 6 p. M 6x30 | Socket Head Cap Screw M 6x30 |
| 110 | 19604-31 | 4122968 | | 1.00 | Konsole BÜ-Absenkung | Console | Bracket |
| 111 | 4586/108 | 4080250 | | 1.00 | Relais 24V | Relais 24 V | Relay 24 V |
| 112 | 1004/75 | 4006060 | | 4.00 | 6Kt-Schr M8x20 | Vis à tête six pans M 8x20 | Hexagon Screw M 8x20 |
| 114 | 19610-01 | 4126765 | | 1.00 | Trio-Elektronik Set 2500/3500 | Kit TRIO avec câbles | Kit TRIO with cables |
| 115 | 2471/101 | 4123086 | 0,12m | 2.00 | Klettverschluss-Band 25 | Bande à fermeture rapid. le m | Fastener Strip Per M |
| 116 | 1134/152 | 4056610 | | 2.00 | Zyl-Schr I-6Kt M5x25 | Vis cyl. à trou 6 p. M 5x25 | Socket Head Cap Screw M 5x25 |
| 117 | 19604-34 | 4123087 | | 1.00 | Interface Wassersonden | Contrôle "sondes" | Control "Sensors" |
| 118 | 1004/164 | 4070080 | | 2.00 | 6Kt-Schr M6x10 | Vis à tête six pans M 6x10 | Hexagon Screw M 6x10 |
| 119 | 1207/10 | 4019430 | | 2.00 | L-Schr KS M4x8 | Vis à tête cyl. bomb. M 4x8 | Raised Cheese Hd.Screw M 4x8 |
| 120 | 19603-47 | 4121920 | | 1.00 | Ladestecker Set | Kit fiche de charge | Charger Jack Set |
| 122 | 4956/109 | 4078800 | | 1.00 | Batterieklammer - | Cosse pour batterie (-) | Battery Clamp (-) |
| 123 | 1004/22 | 4030460 | | 1.00 | 6Kt-Schr M6x35 | Vis à tête six pans M 6x35 | Hexagon Screw M 6x35 |
| 124 | 1654/6 | 4007190 | | 1.00 | Sechskantmutter M6 | Écrou à six pans M 6 | Hexagon Nut M 6 |
| 125 | 4956/101 | 4065840 | | 1.00 | Polabdeckung | Couvercle du pôle | Pole Cover |
| 126 | 4301/145 | 4075130 | | 1.00 | Stecksicherung 10A | Fusible 10 A | Fuse Clip 10 A |
| 127 | 19604-66 | 4123088 | | 1.00 | Kabelbaum Schmutzwasser | Toron de câble "pompe" | Wire Harness "Pump" |
| 128 | 19604-88 | 4126515 | | 1.00 | Litzen Set Batterie | Kit, câbles | Wire Set |
| 129 | 19604-78 | 4123161 | | 1.00 | Batteriepol + | Teron pour pôles (+) | Terminal Post (+) |
| | - | | | - | - | - | - |
| | - | | | - | - | - | - |
| 140 | 7509571 | 7509571 | | 1.00 | Adapter | Adaptateur | Adapter |
| | - | | | - | - | - | - |
| 141 | 4947/1 | 4044140 | | 1.00 | Batteriewartungsset | Etui d'entretien batteries | Set For Battery Maintenance |
| 142 | 4946/1 | 4044160 | | 1.00 | Säuremesser | Acidimètre | Acidity Meter |



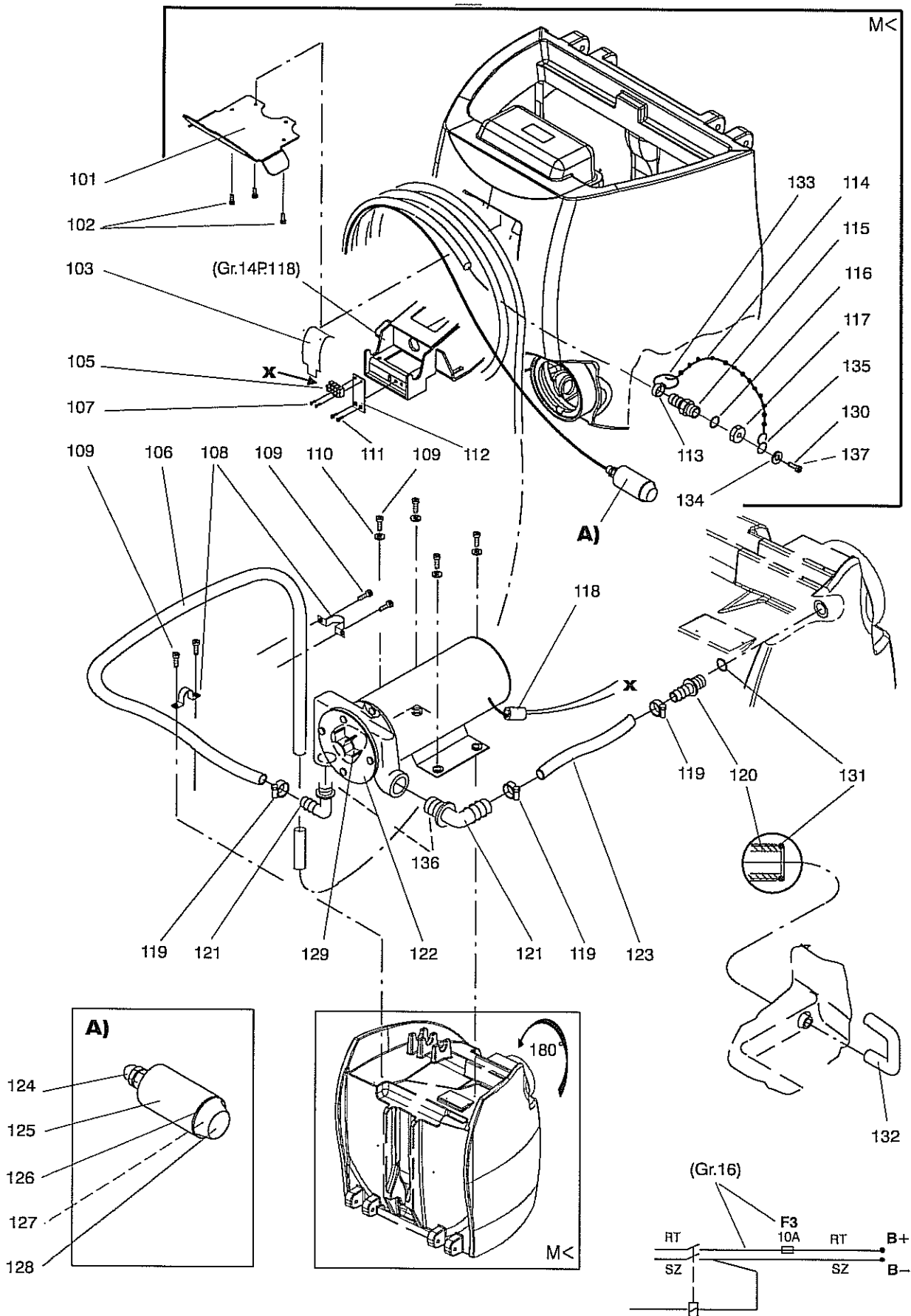
| S004425 | | | | | Führersitz | Siège | Driver seat |
|----------|---------------------------------|---------------------------------|-------|------------------|---------------------------------|-------------------------------|-------------------------|
| Pos. No. | Artikelnr. Article No. Item No. | Bestellnr. No. de com Order No. | Model | Stück. Piè. Qty. | Bezeichnung | Designation | Description |
| 101 | 19600-50 | 4122116 | | 1.00 | Fahrersitz | Siège du conducteur | Driver Seat |
| 102 | 19602-33 | 4122200 | | 2.00 | Torsionsfeder 3,7/22 | Ressort de tension | Tension Spring |
| 104 | 19602-29 | 4122199 | | 2.00 | Schamierbolzen | Goujon | Bolt |
| 105 | 2911/11 | 4008660 | | 4.00 | Sicherungsring 12x1 A | Rondelle "seeger" 12 A | Retaining Ring 12 A |
| 106 | 1425/132 | 4083310 | | 4.00 | L-Schr l-6Ki mit Flansch M8x12 | Boulon de poëlier M 8x12 | Truss Head Screw M 8X12 |
| 107 | 19604-16 | 4122642 | | 1.00 | Schamierwinkel | Chamière | Hinge Profile |
| 110 | 5806/11 | 4046160 | | 1.00 | Durchführungstülle 8 | Douille de passage 8 | Grommet 8 |
| 111 | 1654/7 | 4007200 | | 4.00 | Sechskantmutter M8 | Écrou à six pans M 8 | Hexagon Nut M 8 |
| 112 | 3395/083 | 4121900 | | 1.00 | Sitzschalter | Kit interrupteur siège | Seat Switch Set |
| 113 | 19601-20 | 4122332 | | 1.00 | Sitzblech | Console pour siège | Seat Console |
| 114 | 12053-03 | 4122484 | | 1.00 | Litzenbund Sitzschalter | Câble, interrupteur siège | Cable, Seat Switch |
| 115 | 1752/11 | 4007450 | | 2.00 | Unterlagscheibe 5,3/20x1,5 | Rondelle 5/20 | Washer 5/20 |
| 116 | 1721/105 | 4062370 | | 3.00 | Sicherungsmutter M5 | Écrou de sureté M 5 | Self-Locking Nut M 5 |
| 117 | 8807/011 | 4051890 | 0,11m | 1.00 | Polyesterseil 2 | Cordelette le m | Cord Per M |
| 118 | 2168/35 | 4024570 | | 1.00 | Karabinerhaken 4x40 | Mousqueton | Snap Hook |
| 119 | 19604-18 | 4122957 | | 1.00 | Zuglasche | Eclisse | Shackle |
| 120 | 4080/095 | 4087380 | | 1.00 | Aufnahmegehäuse 6Pol Mate-N-Lok | Fiche multiple 6-pôles | 6-Pole Plug |
| 121 | 4080/096 | 4085480 | | 1.00 | Steckgehäuse 6Pol Mate-N-Lok | Fiche multiple 6-pôles | 6-Pole Plug |
| 122 | 19603-99 | 4127959 | | 2.00 | Puffer | Verrouillage | Lock |
| | 4215/116 | 4065440 | | | Kabelbinder 100 | Bande à lier les câbles 85 mm | Cable Tie 85 mm |



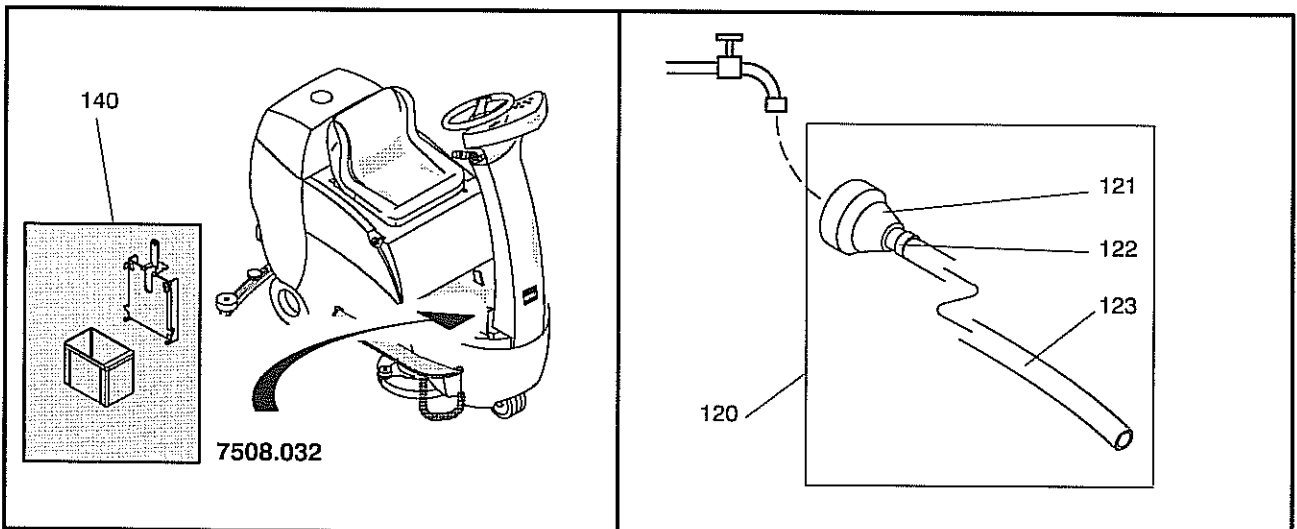
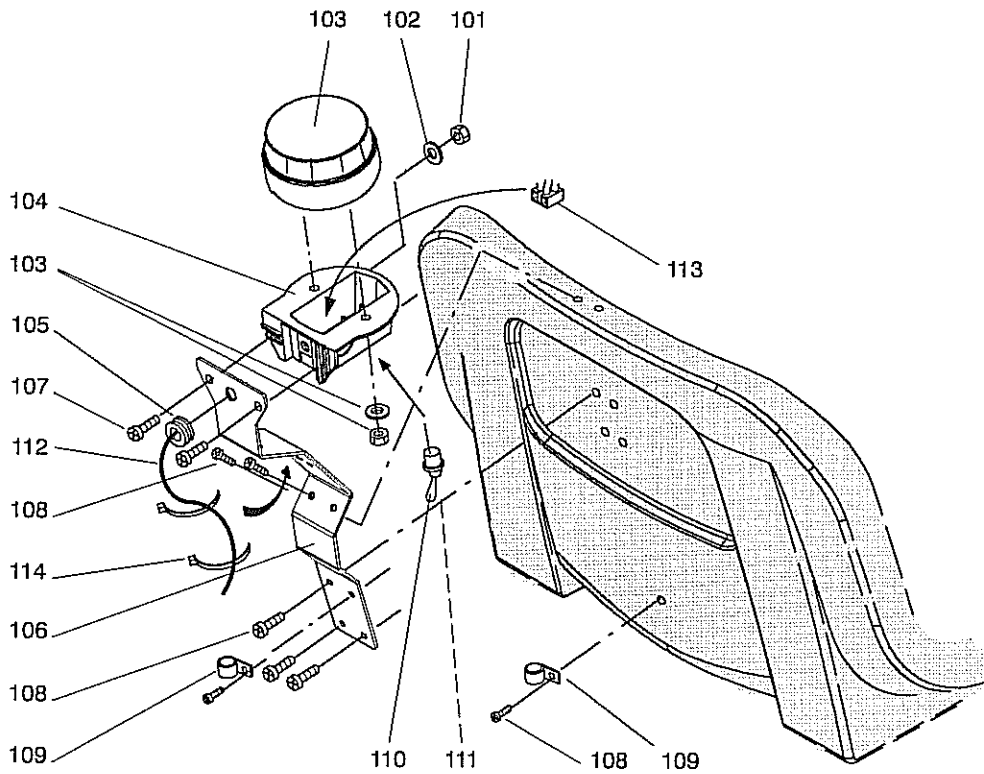
| S001333 | | | | | Recycling | Recycling | Recycling |
|----------|---------------------------------|---------------------------------|-------|------------------|---------------------------------|------------------------------|-------------------------------|
| Pos. No. | Artikelnr. Article No. Item No. | Bestellnr. No. de com Order No. | Model | Stück. Pkz. Qty. | Bezeichnung | Designation | Description |
| 101 | 8820/105 | 4053660 | 0,67m | 1.00 | Schlauch m Draht 12/19 | Tuyau spirale 12/19 le m | Hose W.Wire Spiral 12/19 P.M. |
| 102 | 2175/8 | 4052730 | | 3.00 | Schlauchklemme 17-20 | Bride 17-20 | Hose Clamp 17-20 |
| 103 | 2782/107 | 4122272 | | 1.00 | Kupplungsrippe 15-13 o Ventil | Accouplement rap. male 15-13 | Male Quick Rapide 15-13 |
| 104 | 2783/101 | 4122294 | | 1.00 | Steckkupplung 15 Mutterstück OV | Accouplement rap. 15-13 | Female Quick Connector 15-13 |
| 105 | 8820/105 | 4053660 | 0,60m | 1.00 | Schlauch m Draht 12/19 | Tuyau spirale 12/19 le m | Hose W.Wire Spiral 12/19 P.M. |
| 106 | 2175/7 | 4000270 | | 2.00 | Schlauchklemme 15-18 | Bride 15-18 | Hose Clamp 15-18 |
| 107 | 19603-73 | 4122430 | | 1.00 | Durchführungsstülpe 17 | Douille de passage 17 | Grommet 17 |
| 108 | 19603-52 | 4122556 | | 1.00 | Filterdeckel | Couvercle | Cover |
| 109 | 19603-53 | 4122557 | | 1.00 | Buchse 10/12x45 | Tube 12/10x45 | Pipe 12/10x45 |
| 110 | 18508-18 | 4098320 | | 1.00 | Dichtring | Joint | Gasket |
| 111 | 19603-54 | 4122558 | | 1.00 | Filterkorb Kurz | Corbeille de filtre | Filter Cage |
| 112 | 18504-72 | 4086370 | | 1.00 | Bolzen | Goujon | Bolt |
| 113 | 3002/93 | 4026920 | | 2.00 | O-Ring 60x4 | Joint-O 60x4 | O-Ring 60x4 |
| 114 | 18503-20 | 4084580 | | 1.00 | Filterschlauch | Chemise de filtre | Filter Sleeve, Outer |



| S004406 | | | | | Entleerpumpe | Pompe de vidange | Drainage pump |
|----------|---------------------------------|---------------------------------|-------|------------------------------|---|--------------------------------|-------------------------------|
| Pos. No. | Artikelnr. Article No. Item No. | Bestellnr. No. de com Order No. | Model | Stück. Plö. Qty. | Bezeichnung | Designation | Description |
| 101 | 19602-00 | 4122196 | 3,20m | 1.00 | Schlauchhalter | Porte outils | Tool Support |
| 102 | 1840/108 | 4121992 | | 4.00 | PT-Schr LK KS KA50x16 | Vis pour plastique KA 50x16 | Screw For Plastic KA 50x16 |
| 103 | 19602-52 | 4122202 | | 1.00 | Spritzschutz | Protection | Protection |
| 105 | 4016/204 | 4047400 | | 1.00 | Klemmenleiste 4-Pol 2.5 mm ² | Serre-fils 4-pôles | Connexion Bloc 4-Ways |
| 106 | 8821/29 | 4026620 | | 1.00 | Schlauch 19/25 PVC | Tuyau 19/25 le m | Hose 19/25 Per M |
| 107 | 1207/148 | 4067140 | | 2.00 | L-Schr KS M3x16 | Vis à tête cyl. bomb. M 3x16 | Raised Cheese Hd.Screw M 3x16 |
| 108 | 4221/181 | 4122228 | | 2.00 | Bride | Bride | Clamp |
| 109 | 1840/104 | 4025960 | | 8.00 | PT-Schr LK KS KA40x12 | Vis pour plastique KA 40x12 | Screw For Plastic KA 40x12 |
| 110 | 1752/35 | 4007480 | | 4.00 | Unterlagscheibe 4,3/12x1 | Rondelle 4,3/12 | Washer 4,3/12 |
| 111 | 1134/48 | 4096260 | | 2.00 | Zyl-Schr I-6Kl M5x16 | Vis cyl. à trou 6 p. M 5x16 | Socket Head Cap Screw M 5x16 |
| 112 | 19602-51 | 4122201 | | 0,15m | 1.00 | Klemmenhalter | Fixation |
| 113 | 2175/12 | 4026740 | 1.00 | | Schlauchklemme 25-28 | Bride 25-28 | Hose Clamp 25-28 |
| 114 | 2166/1 | 4008210 | 1.00 | | Kette 2x13/4 | Chainette le m | Chain Per M |
| 115 | 2720/113 | 4122224 | 1.00 | | Einschraubstutzen 19-3/4" Zyl | Raccord 19-R3/4" | Nipple 19-R3/4" |
| 116 | 3002/222 | 4083800 | 2.00 | | O-Ring 20,22x3,53 | Joint-O 20,22x3,53 | O-Ring 20,22x3,53 |
| 117 | 19602-07 | 4122197 | 1.00 | | Deckel | Couvercle | Cover |
| 118 | 4850/105 | 4122229 | 1.00 | Ferit-Ringkern 26/13x28,5 | Self à noyau torique 26/13 | Toroidal Choke 26/13x28,5 | |
| 119 | 2178/16 | 4042270 | 3.00 | Schlauchklemme 16-27 | Bride 16-25 | Hose Clamp 16-25 | |
| 120 | 19603-67 | 4122311 | 1.00 | Nippel | Raccord | Nipple | |
| 121 | 2720/110 | 4122222 | 2.00 | W-Einschraubstutzen 19/R3/4" | Nipple coudé 19-R3/4" | L-Connector 19-R3/4" | |
| 122 | 19602-50 | 4122141 | 0,15m | 1.00 | Schmutzwasserpumpe | Pompe | Pump |
| 123 | 8821/29 | 4026620 | | 1.00 | Schlauch 19/25 PVC | Tuyau 19/25 le m | Hose 19/25 Per M |
| 124 | 4006/122 | 4037110 | | 1.00 | Kabelverschraubung Pg 9 | Presse-étoupe PG 9 | Cable Bush PG 9 |
| 125 | 19602-11 | 4122001 | | 1.00 | Schaltergehäuse | Boîte d'interrupteur | Switch Housing |
| 126 | 4531/173 | 4122003 | | 1.00 | Adapter | Adaptateur | Adapter |
| 127 | 19603-09 | 4122002 | | 1.00 | Schalter Schmutzpumpe | Interrupteur | Switch |
| 128 | 4531/172 | 4122004 | 1.00 | Schutzkappe | Capot de protection | Protection Cap | |
| 129 | 3395/089 | 4122282 | 1.00 | Flügelrad | Roue-hélice | Impeller | |
| 130 | 1202/55 | 4031670 | 1.00 | Zyl-Schr KS M5x10 | Vis à tête cyl. M 5x10 | Cheese Head Screw M 5x10 | |
| 131 | 3002/16 | 4008380 | 1.00 | O-Ring 17,12x2,62 | Joint-O 17,12x2,62 | O-Ring 17,12x2,62 | |
| 132 | 19603-64 | 4122312 | 0,15m | 1.00 | Steigrohr | Tuyau ascendant | Rising Pipe |
| 133 | 2169/5 | 4019940 | | 1.00 | Schlüsselring Sp 16 | Anneau porte-clefs 16 | Key-Ring 16 |
| 134 | 1752/11 | 4007450 | | 1.00 | Unterlagscheibe 5,3/20x1,5 | Rondelle 5/20 | Washer 5/20 |
| 135 | 2166/55 | 4008220 | | 1.00 | S-Haken 2,3x14/29 | Crochet en S | S-Hook |
| 136 | 8806/13 | 4031920 | | 1.00 | Teflonband 12 | Bande de teflon 12 mm rouleau | Teflon Tape 12 mm Roll |
| 137 | 8936/1 | 4017370 | | 0,15m | 1.00 | Sicherungs-Klebstoff mittel | Colle p. blocage moyen 50 gr |
| | 4215/3 | 4023260 | 1.00 | | Kabelbinder 200 | Bande à lier les câbles 200 mm | Cable Tie 200 mm |
| | 9622/20 | 4032050 | 1.00 | | Isolierband Puma | Bande isolante | Insulating Tape |

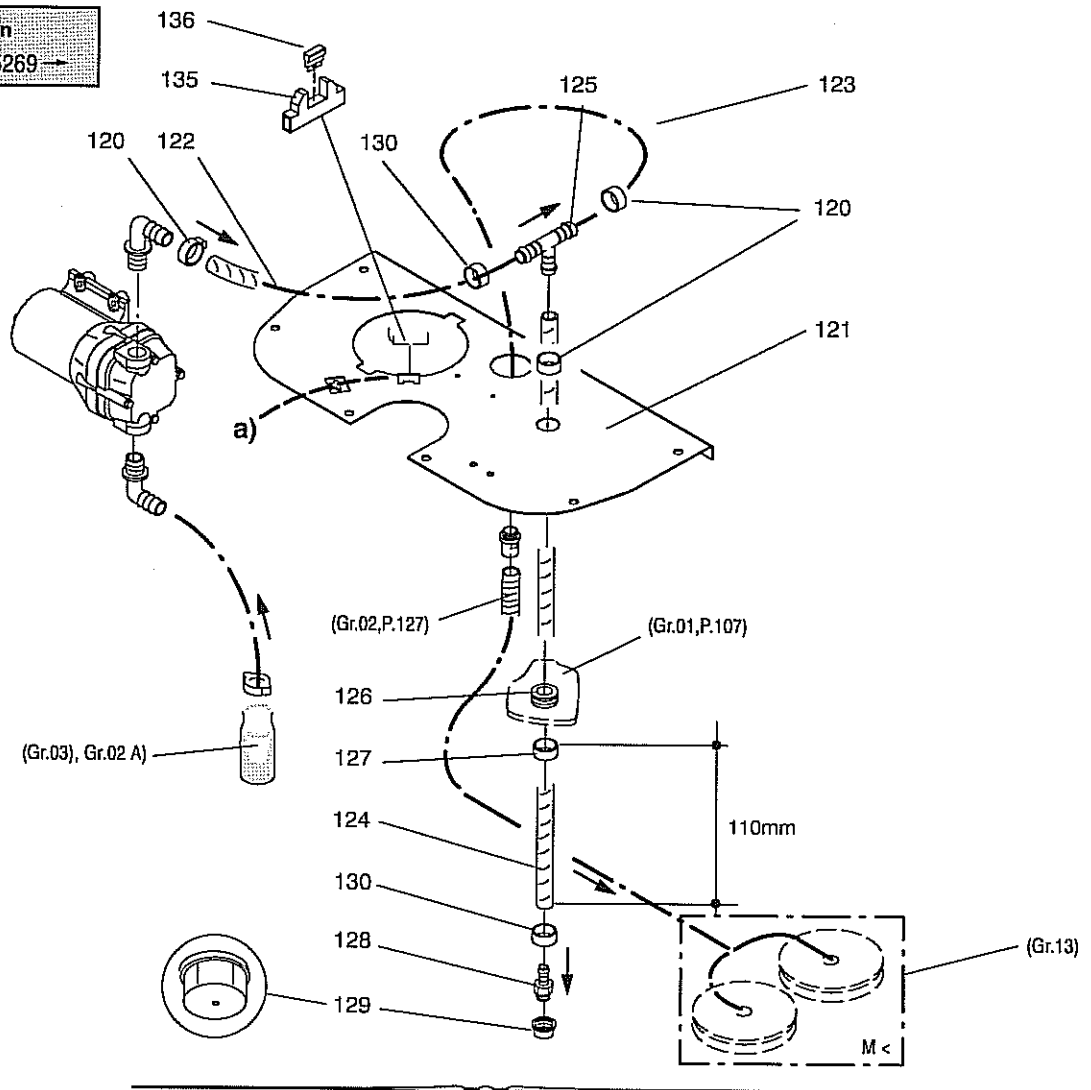


| S005660 | | | | | Warnleuchte & Zubehör | Flash de signalisation & accessoires | Warning light & accessories |
|----------|---------------------------------|---------------------------------|--------|-------------------|---|--------------------------------------|-------------------------------|
| Pos. No. | Artikelnr. Article No. Item No. | Bestellnr. No. de com Order No. | Model | Stück. Plät. Qty. | Bezeichnung | Designation | Description |
| 101 | 1654/4 | 4007170 | | 2.00 | Sechskantmutter M4 | Écrou à six pans M 4 | Hexagon Nut M 4 |
| 102 | 1752/10 | 4007440 | | 2.00 | Unterlagscheibe 4,3/ 9x0,8 | Rondelle 4,3/9 | Washer 4,3/9 |
| 103 | 4106/204 | 4122000 | | 1.00 | Blitzleuchte 24V Orange | Lampe-flash 24 V | Flash 24V |
| 104 | 19603-00 | 4122204 | | 1.00 | Montagesockel Blitzleuchte | Support | Support |
| 105 | 5806/165 | 4077110 | | 1.00 | Durchführungsstüle Ø | Douille de passage | Grommet |
| 106 | 19602-06 | 4122196 | | 1.00 | Lampenhaller | Fixation | Bracket |
| 107 | 1207/11 | 4019650 | | 2.00 | L-Schr KS M4x10 | Vis à tête cyl. bomb. M 4x10 | Raised Cheese Hd.Screw M 4x10 |
| 108 | 1840/104 | 4025960 | | 7.00 | PT-Schr LK KS KA40x12 | Vis pour plastique KA 40x12 | Screw For Plastic KA 40x12 |
| 109 | 4212/113 | 4114400 | | 2.00 | Kabelbride 6 | Bride pour câble 6 | Cable Clamp 6 |
| 110 | 4571/100 | 4121901 | | 1.00 | Kippschalter | Interrupteur à bascule | Rocker Handle Switch |
| 111 | 4571/109 | 4121902 | | 1.00 | Dichtungskappe | Capot de protection | Protecting Cap |
| 112 | 12053-04 | 4122485 | | 1.00 | Litzenbund Sitzschaller/Leuchte | Câble, clignotant | Cable, Flash |
| 113 | 4016/202 | 4047420 | | 1.00 | Klemmenleiste 2-Pol 2.5 mm ² | Serre-fils 2-pôles | Connection Bloc 2-Ways |
| 114 | 4215/116 | 4065440 | | 2.00 | Kabelbinder 100 | Bande à lier les câbles 85 mm | Cable Tie 85 mm |
| | - | | | - | - | - | - |
| | - | | | - | - | - | - |
| 120 | 8502830 | 8502830 | | 1.00 | Fuellschlauch | Tuyau de remplissage | Filling Hose |
| 121 | 18504-04 | 4085160 | | 1.00 | Füllkonus | Raccord pour remplissage | Filling Cone |
| 122 | 2175/12 | 4026740 | | 1.00 | Schlauchklemme 25-28 | Bride 25-28 | Hose Clamp 25-28 |
| 123 | 8821/29 | 4026620 | 2,00 m | 1.00 | Schlauch 19/25 PVC | Tuyau 19/25 le m | Hose 19/25 Per M |
| | - | | | - | - | - | - |
| | - | | | - | - | - | - |
| 140 | 7508032 | 7508032 | Option | 1.00 | Schmutzbehälter | Récipient de récupération | Dirt Container |

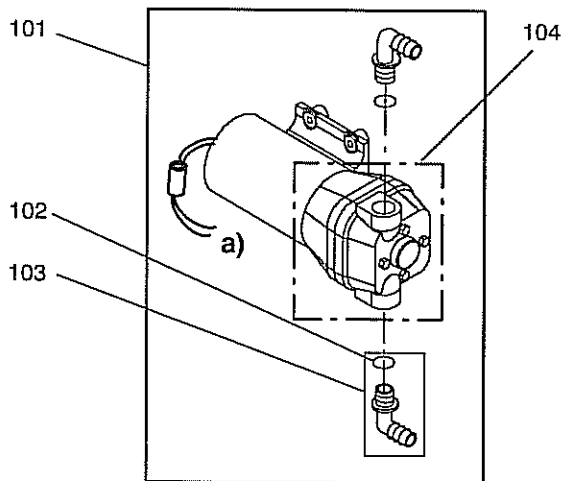


| S004401 | | | | | Pumpe | Pompe | Pump |
|----------|---------------------------------|---------------------------------|-------|------------------|---------------------------|---------------------------|-------------------------------|
| Pos. No. | Artikelnr. Article No. Item No. | Bestellnr. No. de com Order No. | Model | Stück. Piè. Qty. | Bezeichnung | Designation | Description |
| 101 | 19604-42 | 4125772 | | 1.00 | Membranpumpe 24V EPDM | Pompe diaphragme 24V EPDM | Diaphragm Pump 24V EPDM |
| 102 | 3002/21 | 4052410 | | 2.00 | O-Ring 13,95x2,62 | Joint-O 13,95x2,62 | O-Ring 13,95x2,62 |
| 103 | 3395/054 | 4104380 | | 1.00 | Nippel | Raccord av. joint-O | Nipple With O-Ring |
| 104 | 19604-80 | 4123171 | | 1.00 | Pumpenkopf EPDM | Tête de pompe EPDM | Pump Head EPDM |
| | - | | | | - | - | - |
| | - | | | | - | - | - |
| 120 | 2178/12 | 4042280 | | 3.00 | Schlauchklemme 12-22 | Bride 12-22 | Hose Clamp 12-22 |
| 121 | 19601-03 | 4122050 | | 1.00 | Saugerblech | Plaque à base | Base Plate |
| 122 | 8820/105 | 4053660 | 0,21m | 1.00 | Schlauch m Draht 12/19 | Tuyau spirale 12/19 le m | Hose W.Wire Spiral 12/19 P.M. |
| 123 | 8820/105 | 4053660 | 0,52m | 1.00 | Schlauch m Draht 12/19 | Tuyau spirale 12/19 le m | Hose W.Wire Spiral 12/19 P.M. |
| 124 | 8820/105 | 4053660 | 0,26m | 1.00 | Schlauch m Draht 12/19 | Tuyau spirale 12/19 le m | Hose W.Wire Spiral 12/19 P.M. |
| 125 | 2631/075 | 4076130 | | 1.00 | T-Schlauchverbinder Ts 12 | T de raccordement TS 12 | T-Nipple TS 12 |
| 126 | 19603-73 | 4122430 | | 1.00 | Durchführungsfülle 17 | Douille de passage 17 | Grommet 17 |
| 127 | 2175/7 | 4008270 | | 1.00 | Schlauchklemme 15-18 | Bride 15-18 | Hose Clamp 15-18 |
| 128 | 2720/102 | 4084500 | | 1.00 | Einschraubstutzen | Raccord | Male Connector |
| 129 | 19604-23 | 4122604 | | 1.00 | Deckel | Couvercle | Cover |
| 130 | 2175/8 | 4052730 | | 2.00 | Schlauchklemme 17-20 | Bride 17-20 | Hose Clamp 17-20 |
| 134 | 8820/105 | 4053660 | 0,75m | 1.00 | Schlauch m Draht 12/19 | Tuyau spirale 12/19 le m | Hose W.Wire Spiral 12/19 P.M. |
| 135 | 4302/008 | 4076660 | | 1.00 | Sicherungshalter | Porte-fusible | Fuse Carrier |
| 136 | 4301/141 | 4122905 | | 1.00 | Stecksicherung 3A | Fusible 3 A | Fuse Clip 3 A |

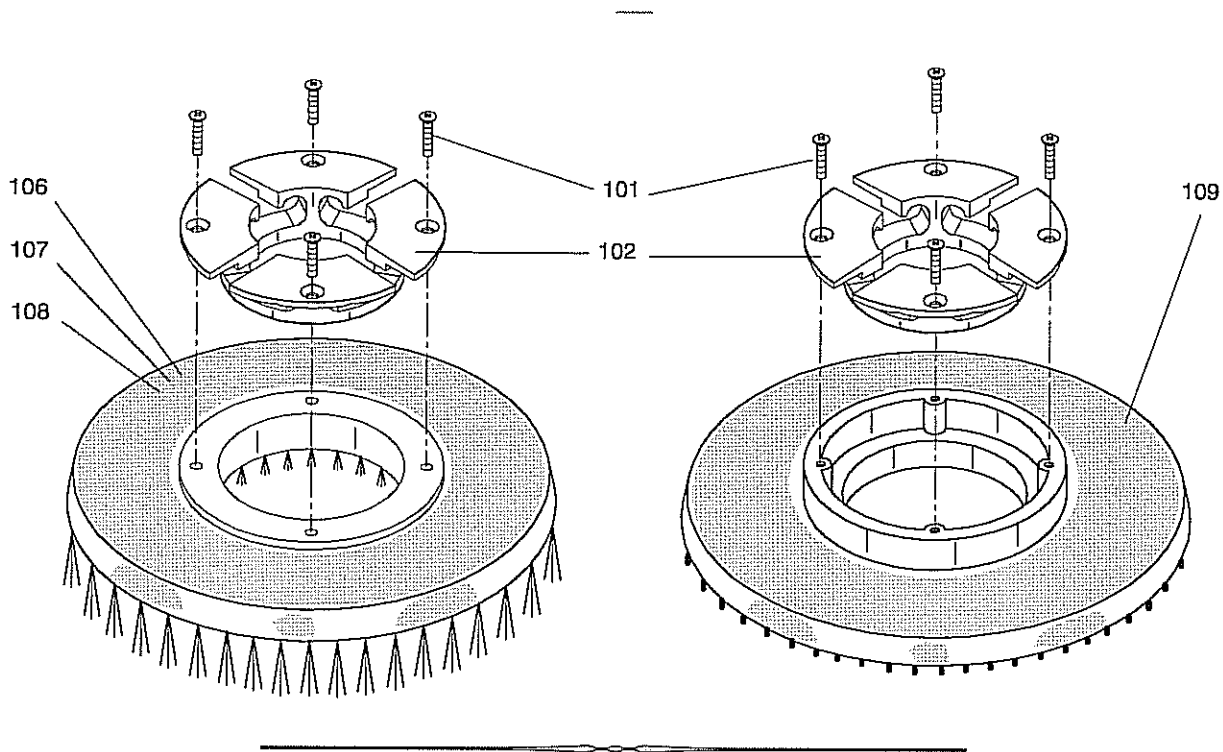
Ausf./execution
Machine No 5269



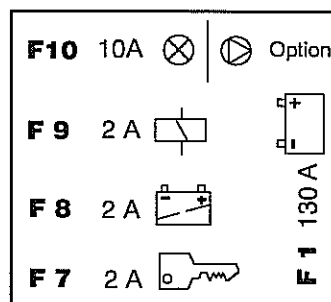
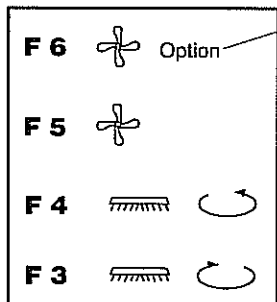
Ergänzung, supplément
Gruppe, group(e) 02



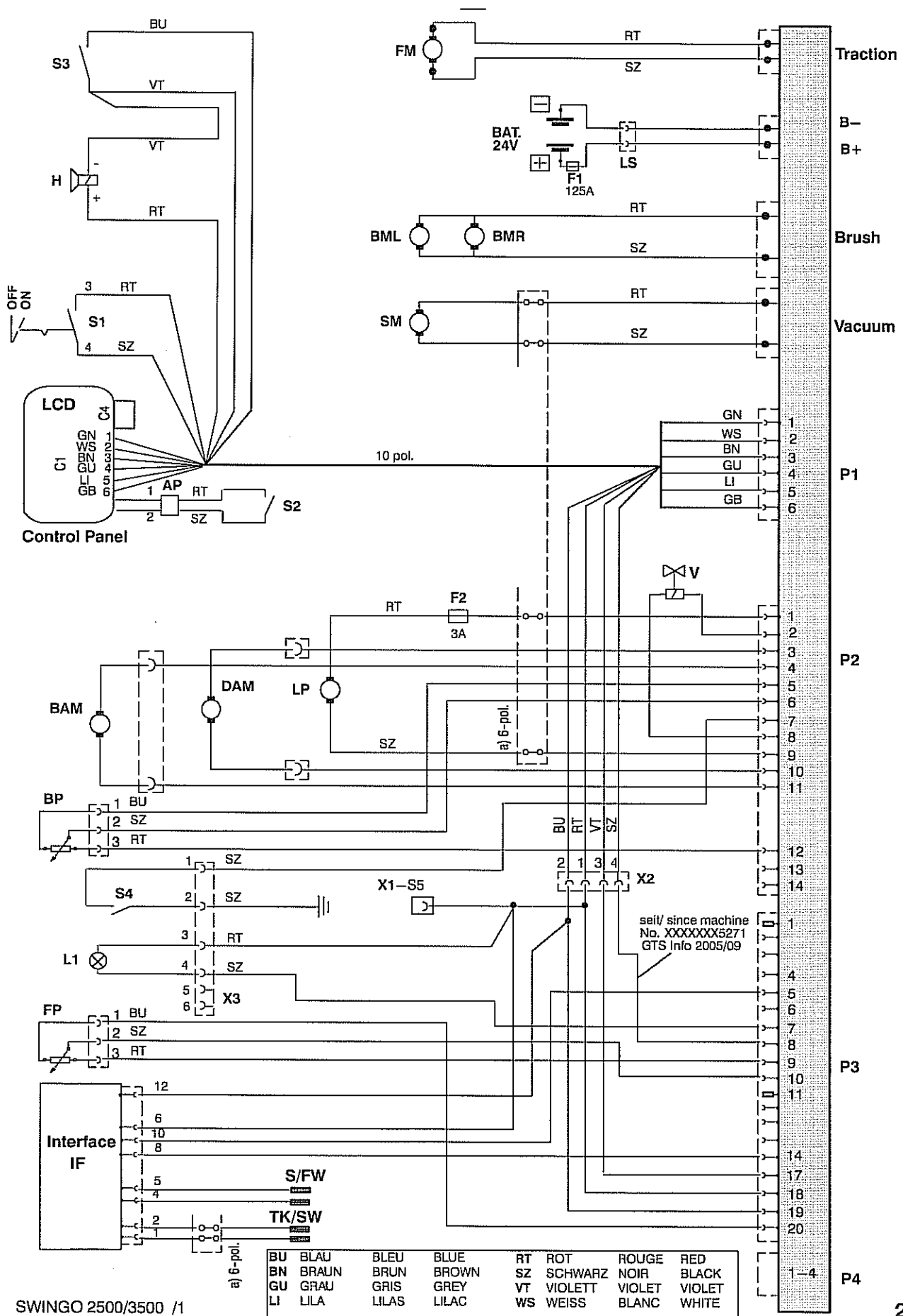
| S004192 | | | | | Diverse Ersatzteile | Pièces détachées diverses | Various spare parts |
|----------|---------------------------------|---------------------------------|-------------|-----------------|----------------------------|--------------------------------|-------------------------------|
| Pos. No. | Artikelnr. Article No. Item No. | Bestellnr. No. de com Order No. | Model | Stck. Piè. Qty. | Bezeichnung | Designation | Description |
| 101 | 1810/406 | 4093290 | | 6.00 | Senk-Spanpl-Schr KS 5x25 | Vis à tête fraisée 5X25 | Pan Head Tapp.Screw M 5X25 |
| 102 | 82300-1 | 4039460 | | 1.00 | Kupplungsflansch | Accouplement | Coupling |
| | - | | | | - | - | - |
| | - | | | | - | - | - |
| | - | | | | - | - | - |
| 106 | 8501080 | 8501080 | swingo 2500 | 1.00 | Scheuerbürste 35 | Brosse a Recurer 35 | Scrubbing Brush 35 |
| 106 | 8501100 | 8501100 | swingo 3500 | 1.00 | Scheuerbuerste 43 | Brosse a recurer 43 | Scrubbing Brush 43 |
| 107 | 8501060 | 8501060 | swingo 2500 | 1.00 | Scheuerbürste Waschbeton | Brosse a Recurer le Beton Lave | Scrubbing Brush F.Wash.Concr. |
| 107 | 8501090 | 8501090 | swingo 3500 | 1.00 | Scheuerbuerste Waschbeton | Brosse a recurer le Beton Lave | Scrubbing Brush F.Wash.Concr. |
| 108 | 8502750 | 8502750 | swingo 2500 | 1.00 | Scheuerbuerste Abrasive 35 | Brosse a recurer Abrasive 35 | Scrubbing Brush Abrasive 35 |
| 108 | 8502760 | 8502760 | swingo 3500 | 1.00 | Scheuerbuerste Abrasive 43 | brosse a recurer Abrasive 43 | Scrubbing Brush Abrasive 43 |
| 109 | 8501120 | 8501120 | swingo 2500 | 1.00 | Fuehrungsteller 35 | Plateau entraîneur 35 | Driving Disc 35 |
| 109 | 8501130 | 8501130 | swingo 3500 | 1.00 | Fuehrungsteller 43 | Plateau entraîneur 43 | Driving Disc 43 |



Schilder, plaques, labels
Sicherungen, fusibles, fuses
Gruppe, group(e) 14

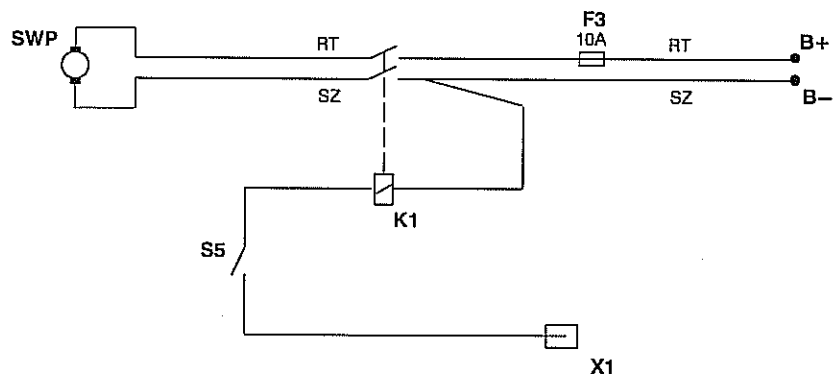


| S004544 | | | | | Elektroschema | Schéma électrique | Electrical diagram |
|----------|---------------------------------------|---------------------------------------|-------|-----------------------|---------------|-------------------|--------------------|
| Pos. No. | Artikelnr. Article No. Item No. | Bestellnr. No. de com Order No. | Model | Stck. Piè. Qty. | Bezeichnung | Designation | Description |
| | | | | | | | |



| S004545 | | | | | Elektroschema,Anhang | Schéma électrique,extension | Electrical diagram,extension |
|-------------|---------------------------------------|---------------------------------------|-------|-----------------------|----------------------|-----------------------------|------------------------------|
| Pcs. No. | Artikelnr. Article No. Item No. | Bestellnr. No. de com Order No. | Model | Stck. Plö. Qty. | Bezeichnung | Designation | Description |
| | | | | | | | |

Option SWP



| | | | |
|----|---------|-------|-------|
| RT | ROT | ROUGE | RED |
| SZ | SCHWARZ | NOIR | BLACK |