**DESCRIPTION****PLAN**

Handle, line drawings

D - 2.9.1 - 2

Handle

D - 2.9.1 - 3

Base part with motor, line drawings

D - 2.9.1 - 4

Base part with motor

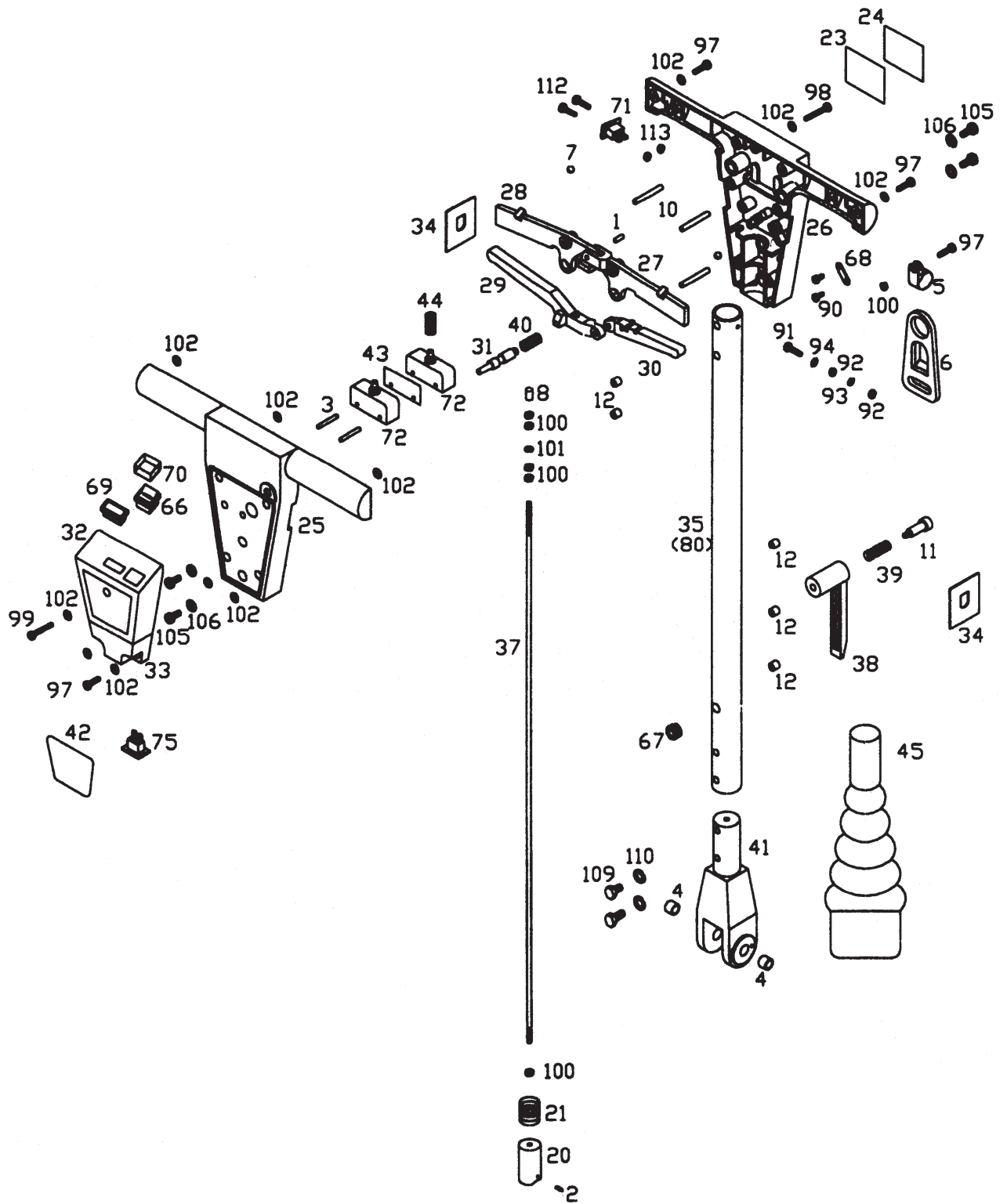
D - 2.9.1 - 5

Vac mount and skirt, line drawings

D - 2.9.1 - 6

Vac mount and skirt

D - 2.9.1 - 7



D

2.9.1

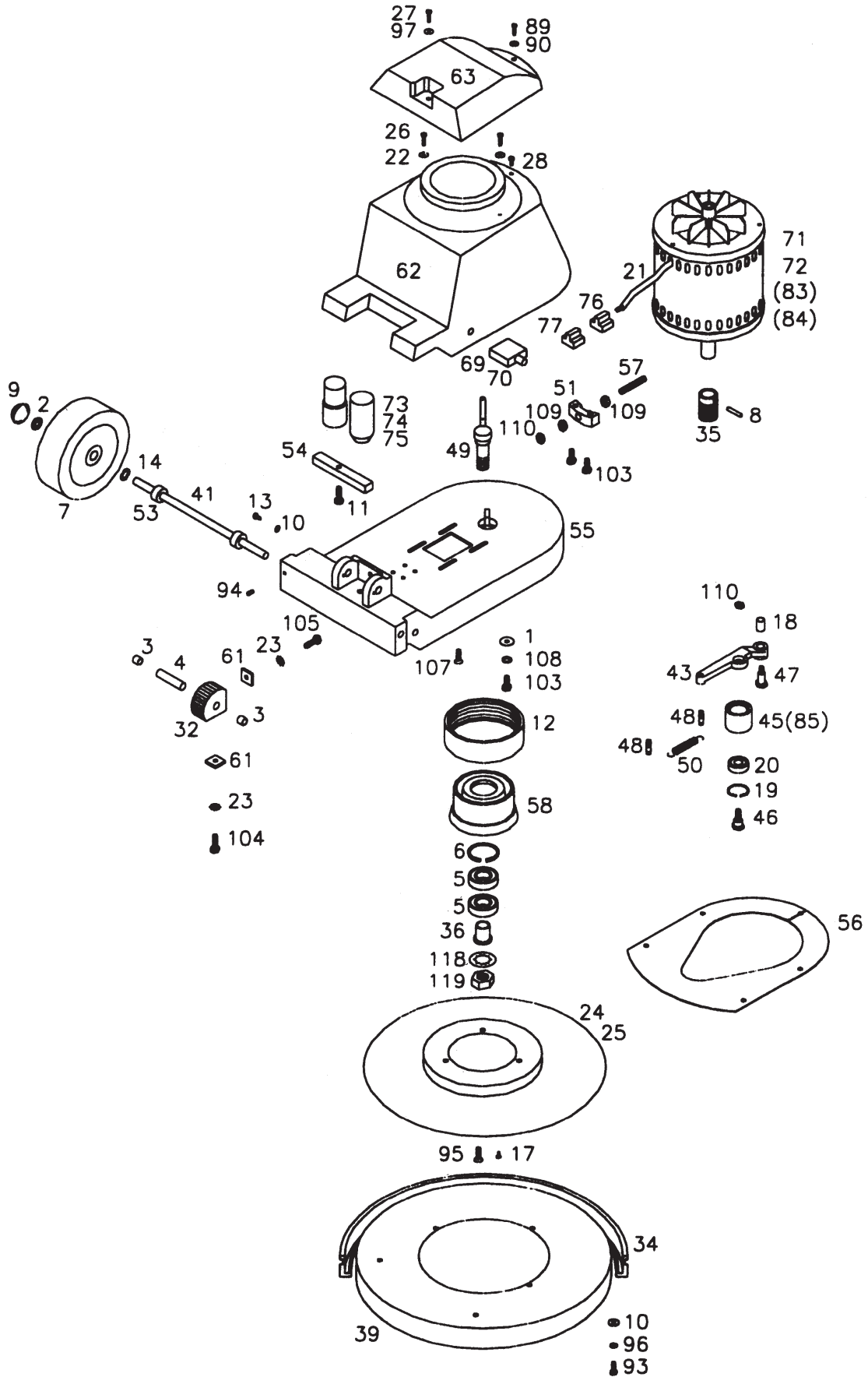
3

HANDLE, SPARE PARTS

| Item No. | QTY. PER. | PART NO.     | DESCRIPTION                              | Item No. | QTY. PER. | PART NO.     | DESCRIPTION                                 |
|----------|-----------|--------------|--|----------|-----------|--------------|---|
| 1        | 1         | 143 3503 000 | SPIROL PIN 5 DIA x 20 LG                 | 66       | 1         | 140 5496 000 | ROCKER SWITCH                               |
| 2        | 1         | 143 3501 000 | PIN 3 DIA x 10 LG                        | 67       | 1         | 143 2994 000 | GROMMET                                     |
| 3        | 2         | 142 2883 000 | DOWEL PIN 4 DIA x 32 LG                  | 68       | 2         | 82361900     | CABLE CLAMP                                 |
| 4        | 2         | 142 2872 000 | BEARING 12 BORE x 12 LG                  | 69       | 1         | 82338600     | NEON INDICATOR                              |
| 5        | 1         | 142 2895 000 | P' CLIP                                  | 70       | 1         | 140 5497 000 | PLASTIC SWITCH COVER                        |
| 6        | 1         | 142 2857 000 | CABLE STRAIN RELIEF BRACKET              | 71       | 1         | 142 2621 000 | OUTLET SOCKET                               |
| 7        | 2         | 142 2890 000 | MILD STEEL BALL BEARING 10 DIA           | 72       | 2         | 142 2881 000 | PLUNGER MINI-SWITCH                         |
| 8        | 1         | 142 2887 000 | END CAP                                  | 73       | 1         | 82334200     | CORD SET 15M x 1.5 x 3 (230V) N/S (UK)      |
| 9        | 1         | 82332700     | NYLON WASHER                             | 74       | 1         | 82334300     | CORD SET 15M x 1.5 x 3 (220V) N/S (EU)      |
| 10       | 3         | 142 2875 000 | DOWEL PIN 6 DIA x 45 LG                  | 75       | 1         | 142 2853 000 | 16 AMP INPUT SOCKET                         |
| 11       | 1         | 143 3519 000 | M6/8 x 30 LG SHOULDER SCREW              | 76       |           |              |   |
| 12       | 5         | 143 3540 000 | TRI-LOBE FASTENER                        | 77       |           |              |   |
| 13       | 1         | 82332800     | POP RIVET                                | 78       |           |              |   |
| 14       | 2         | 82332900     | SCREW NO.6 x 3/8" S/T FLANGED            | 79       |           |              |   |
| 15       |           |              |  | 80       |           |              |   |
| 16       |           |              |  | 81       | 1         | 82334400     | MAIN DROP LEAD                              |
| 17       |           |              |  | 82       | 1         | 82334500     | VACUUM DROP LEAD                            |
| 18       |           |              |  | 83       | 1         | 142 2878 000 | PAIR OF LIVE LINK WIRES                     |
| 19       |           |              |  | 84       | 1         | 142 2880 000 | PAIR OF NEUTRAL LINK WIRES                  |
| 20       | 1         | 142 2842 000 | GEAR DOG                                 | 85       | 1         | 142 2877 000 | LIVE LINK WIRE                              |
| 21       | 1         | 142 2844 000 | GEAR DOG SPRING                          | 86       | 1         | 142 2860 000 | EARTH LINK WIRE                             |
| 22       |           |              |  | 87       | 1         | 142 2879 000 | NEUTRAL LINK WIRE                           |
| 23       | 1         | 82333000     | IDENT LABEL                              | 88       |           |              |   |
| 24       | 1         | 142 2799 000 | IDENT LABEL SKIN                         | 89       |           |              |   |
| 25       | 1         | 82333100     | CONTROL BOX FRONT                        | 90       | 4         | 143 3504 000 | M4 x 10 LG PAN HD POZI SCREW                |
| 26       | 1         | 82333200     | CONTROL BOX REAR                         | 91       | 2         | 143 2941 000 | M4 x 16 LG PAN HD POZI SCREW                |
| 27       | 1         | 142 2850 000 | INTERLOCK TRIGGER                        | 92       | 4         | 143 2120 000 | M4 FULL NUT                                 |
| 28       | 1         | 142 2851 000 | SECOND TRIGGER                           | 93       | 2         | 82334600     | M4 S/COIL WASHER                            |
| 29       | 1         | 142 2885 000 | GEAR OPERATING LEVER                     | 94       | 2         | 143 2374 000 | M4 EXT SHAKEPROOF WASHER                    |
| 30       | 1         | 142 2884 000 | WATER LEVER                              | 95       |           |              |   |
| 31       | 1         | 142 2889 000 | INTERLOCK BUTTON                         | 96       |           |              |   |
| 32       | 1         | 82333300     | SWITCH COVER TOP                         | 97       | 5         | 143 3515 000 | M5 x 10 LG PAN HD POZI SCREW                |
| 33       | 1         | 82333400     | SWITCH COVER BOTTOM                      | 98       | 5         | 143 3516 000 | M5 x 35 LG PAN HD POZI SCREW                |
| 34       | 2         | 82333500     | GEAR & WATER LEVER COVER                 | 99       | 1         | 143 3517 000 | M5 x 45 LG PAN HD POZI SCREW                |
| 35       | 1         | 82333600     | HANDLE TUBE                              | 100      | 6         | 143 3502 000 | M5 FULL NUT                                 |
| 36       | 1         | 82333700     | TANK LOCKING SLEEVE                      | 101      | 1         | 143 1052 000 | M5 PLAIN WASHER                             |
| 37       | 1         | 142 2843 000 | ADJUSTING GEAR ROD                       | 102      | 11        | 143 2953 000 | M5 INT SHAKEPROOF WASHER                    |
| 38       | 1         | 142 2859 000 | CABLE WINDER                             | 103      |           |              |   |
| 39       | 1         | 142 2858 000 | CABLE WINDER SPRING                      | 104      |           |              |   |
| 40       | 1         | 142 2888 000 | INTERLOCK SPRING                         | 105      | 4         | 143 2315 000 | M6 x 16 LG PAN HD POZI SCREW                |
| 41       | 1         | 82333900     | AXLE FORK                                | 106      | 4         | 82334700     | M6 INT SHAKEPROOF WASHER                    |
| 42       | 1         | 82334000     | TOP SWITCH COVER DECAL                   | 107      |           |              |   |
| 43       | 1         | 142 2882 000 | INSULATION CARD                          | 108      |           |              |   |
| 44       | 1         | 82334100     | TRIGGER RETURN SPRING                    | 109      | 2         | 82334800     | M8 x 20 LG HEX HD SCREW                     |
| 45       | 1         | 82333800     | SPECIAL BELLOWS                          | 110      | 2         | 82334900     | M8 S/COIL WASHER                            |
| 46       |           |              |  | 111      |           |              |   |
| 47       |           |              |  | 112      | 2         | 82335000     | M3 X 12 POZI CSK SCREW                      |
| 48       |           |              | N/S = NOT SHOWN                          | 113      | 2         | 82335100     | M3 NYLOC NUT                                |
| 49       |           |              |  | 114      |           |              |   |
| 50       |           |              |  | 115      |           |              |   |
| 51       | 1         | 08423400     | SUCTION UNIT SU 600                      | 116      | 1         | 22341900     | MOUNTING KIT SUCTION UNIT SU 600 CPL. (N/S) |
| 52       | 1         | 22341900     | MOUNTING KIT FOR SU 600 CPL.             | 117      | 1         | 82342000     | SPECIAL ACCESSORY CLAMP (N/S)               |
| 53       | 1         | 22342900     | SUCTION SKIRT KIT CPL.                   | 118      | 1         | 82342100     | VACUUM MOUNT LOWER PART (N/S)               |
| 54       | 1         | 82040500     | PAPER BAGS 5 pcs incl. 1 filter 56703951 | 119      | 1         | 82342200     | VACUUM MOUNT UPPER PART (N/S)               |
| 55       | 1         | 56703951     | ELECTROSTATICAL EXHAUST FILTER           | 120      | 1         | 82342300     | VACUUM MOUNT UPPER SPACER (N/S)             |
| 56       | 1         | 140 9315 000 | SOFT START BOX TO PROTECT FUSES          | 121      | 1         | 82342400     | VACUUM MOUNT SCREW GUIDE (N/S)              |
| 57       | 1         | 00190860     | PAD WHITE, 430 mm, 5 pcs                 | 122      | 1         | 82342500     | M6 x 20 CAP HEAD SCREW - BLACK (N/S)        |
| 58       | 1         | 08531000     | PAD RED, 430 mm, 5 pcs                   | 123      | 1         | 82342600     | M8 x 25 CAP HEAD SCREW - BLACK (N/S)        |
| 59       | 1         | 08531200     | PAD BLUE, 430 mm, 5 pcs                  | 124      | 1         | 82342700     | M8 x 16 HEX HEAD SCREW (N/S)                |
| 60       | 1         | 00281000     | PAD GREEN, 430 mm, 5 pcs                 | 125      | 1         | 82342800     | M8 LOCKNUT (N/S)                            |
| 61       | 1         | 08531400     | PAD BROWN, 430 mm, 5 pcs                 | 126      | 1         | 22342900     | SUCTION SKIRT KIT CPL. (N/S)                |
| 62       |           |              |  | 127      | 1         | 82343000     | SUCTION SKIRT (N/S)                         |
| 63       |           |              |  | 128      | 1         | 82343100     | BLANKING CAP (N/S)                          |
| 64       |           |              |  | 129      | 1         | 82343200     | STRAIGHT CUFF (N/S)                         |
| 65       |           |              |  | 130      |           |              |   |

## ACCESSORIES

## ASSEMBLY PARTS SUCTION UNIT AND SUCTION SKIRT



D

2.9.1

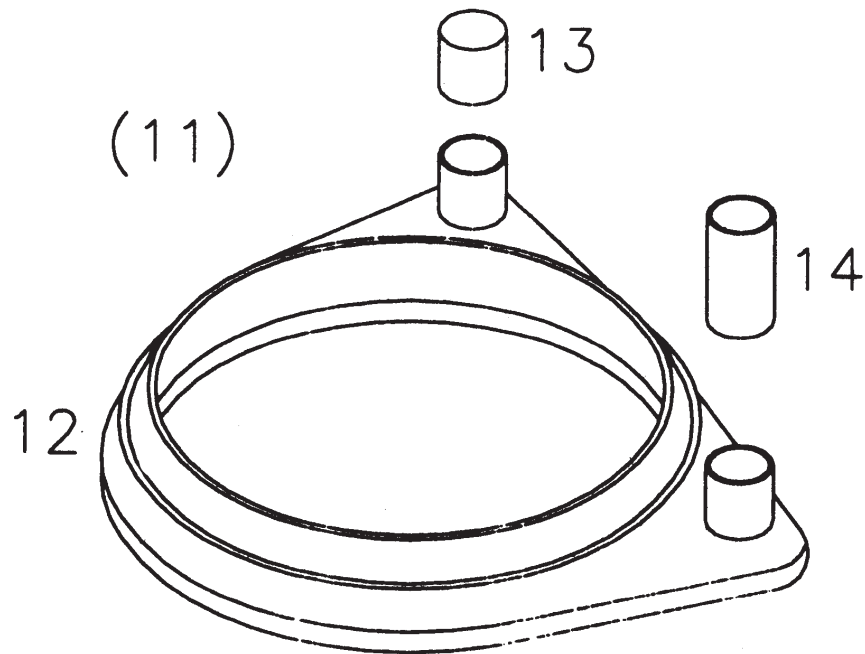
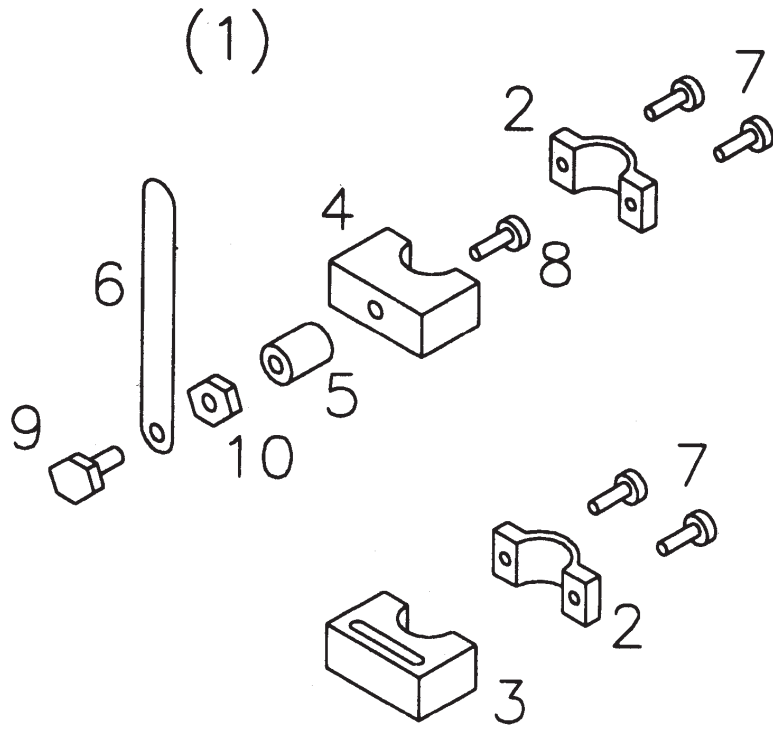
5

BASE PART, WITH MOTOR SPARE PARTS

| Item No. | QTY. PER. | PART NO.     | DESCRIPTION                    | Item No. | QTY. PER. | PART NO.     | DESCRIPTION                     |
|----------|-----------|--------------|--------------------------------|----------|-----------|--------------|---------------------------------|
| 1        | 2         | 143 3545 000 | M8 WASHER x 1.25" O/D          | 66       |           |              |                                 |
| 2        | 2         | 143 3554 000 | STARLOCK WASHER                | 67       |           |              |                                 |
| 3        | 2         | 142 2872 000 | FORK PIVOT BUSH                | 68       | 1         | 82336900     | CENTRIFUGAL SWITCH N/S          |
| 4        | 1         | 142 2819 000 | FORK PIVOT SHAFT               | 69       | 1         | 82337000     | CIRCUIT BREAKER - 240V (UK)     |
| 5        | 2         | 143 1224 000 | BEARING - DRIVE PLATE          | 70       | 1         | 82337100     | CIRCUIT BREAKER - 220V (EU)     |
| 6        | 1         | 143 3558 000 | CIRCLIP - DRIVE PLATE          | 71       | 1         | 142 1894 010 | MOTOR 240V 50Hz 1.3Kw (UK)      |
| 7        | 2         | 142 2532 000 | WHEEL                          | 72       | 1         | 82337200     | MOTOR 220V 50Hz 1.3Kw (EU)      |
| 8        | 1         | 143 3529 000 | SPIROL PIN 6 DIA x 32          | 73       | 1         | 142 2896 000 | MOTOR START CAPACITOR           |
| 9        | 2         | 142 1278 000 | WHEEL CAP                      | 74       | 1         | 142 2897 010 | MOTOR RUN CAPACITOR - 240V (UK) |
| 10       | 7         | 143 1054 000 | WASHER 1/4" x 3/4"             | 75       | 1         | 82337300     | MOTOR RUN CAPACITOR - 220V (EU) |
| 11       | 1         | 82335300     | M6 x 16 THREAD FORMING SCREW   | 76       | 1         | 143 2998 000 | SPECIAL 3 WAY CON. SOCKET       |
| 12       | 1         | 142 1881 000 | DRIVE BELT                     | 77       | 1         | 143 3525 000 | SPECIAL 3 WAY CON. PLUG         |
| 13       | 2         | 143 3553 000 | M5 x 10 THREAD FORMING BOLT    | 78       |           |              |                                 |
| 14       | 2         | 143 2913 000 | CRINKLE WASHER                 | 79       |           |              |                                 |
| 15       | 0.13M     | 82335400     | VELCRO STRIP LOOP N/S          | 80       |           |              |                                 |
| 16       | 0.13M     | 82335500     | VELCRO STRIP HOOK N/S          | 81       |           |              |                                 |
| 17       | 3         | 82335600     | No 8 x 12 ST/ST SELF TAP SCREW | 82       |           |              |                                 |
| 18       | 1         | 142 1879 000 | PIVOT BUSH                     | 83       | 1         | 142 1896 010 | MOTOR & PULLEY ASSY - 240V (UK) |
| 19       | 1         | 143 3548 000 | CIRCLIP                        | 84       | 1         | 82337400     | MOTOR & PULLEY ASSY - 220V (EU) |
| 20       | 1         | 142 1877 000 | BEARING                        | 85       | 1         | 82337500     | BELT TENSION ROLLER ASSY        |
| 21       | 0.25M     | 82362000     | PVC TUBE                       | 86       |           |              |                                 |
| 22       | 2         | 82335700     | 1/4" x 5/8" WASHER             | 87       |           |              |                                 |
| 23       | 2         | 143 2378 000 | EXT. SERRATED LOCK WASHER      | 88       |           |              |                                 |
| 24       | 1         | 82335800     | PAD DRIVER ASSEMBLY            | 89       | 1         | 143 3521 000 | M4 x 12 BLACK POZI PAN SCREW    |
| 25       | 1         | 82335900     | PAD LOCKING DEVICE - CENTERING | 90       | 1         | 143 3522 000 | M4 PLAIN BLACK WASHER           |
| 26       | 2         | 143 3528 000 | M6 x 12 THREAD FORMING SCREW   | 91       |           |              |                                 |
| 27       | 1         | 82336000     | M6 x 12 BLACK POZI PAN SCREW   | 92       |           |              |                                 |
| 28       | 1         | 143 3511 000 | RAWLNUT M4                     | 93       | 5         | 143 2967 000 | M6 x 20 LG HEX HD SCREW         |
| 29       |           |              |                                | 94       | 1         | 143 2320 000 | M6 x 8 LG SOCKET GRUB SCREW     |
| 30       |           |              |                                | 95       | 3         | 82337600     | M6 x 20 CSK POZI SCREW          |
| 31       |           |              |                                | 96       | 5         | 82337700     | M6 SINGLE COIL WASHER           |
| 32       | 1         | 142 3114 000 | ADJUSTING GEAR                 | 97       | 1         | 143 3513 000 | M6 PLAIN BLACK WASHER           |
| 33       |           |              |                                | 98       |           |              |                                 |
| 34       | 1         | 142 3118 000 | 18" FURNITURE GUARD            | 99       |           |              |                                 |
| 35       | 1         | 82336100     | MOTOR PULLEY 64 x 24           | 100      |           |              |                                 |
| 36       | 1         | 142 3112 000 | BEARING GUIDE                  | 101      |           |              |                                 |
| 37       |           |              |                                | 102      |           |              |                                 |
| 38       |           |              |                                | 103      | 4         | 82334800     | M8 x 20 LG HEX HD SCREW         |
| 39       | 1         | 82336200     | 17" HOUSING GREY               | 104      | 1         | 82337800     | M8 x 25 LG HEX HD SCREW         |
| 40       |           |              |                                | 105      | 1         | 82337900     | M8 x 30 LG HEX HD SCREW         |
| 41       | 1         | 82336300     | T.V. AXLE                      | 106      |           |              |                                 |
| 42       |           |              |                                | 107      | 2         | 82338000     | M8 x 16 LG SKT CSK HD SCREW     |
| 43       | 1         | 142 1876 000 | BELT TENSION LEVER             | 108      | 2         | 82334900     | M8 SINGLE COIL WASHER           |
| 44       |           |              |                                | 109      | 2         | 82338100     | M8 FULL NUT                     |
| 45       | 1         | 142 1875 000 | BELT TENSION ROLLER            | 110      | 2         | 82338200     | M8 LOCK NUT                     |
| 46       | 1         | 142 1878 000 | TENSION LEVER BOLT             | 111      |           |              |                                 |
| 47       | 1         | 142 1880 000 | PIVOT BOLT                     | 112      |           |              |                                 |
| 48       | 2         | 142 1873 000 | SPRING RETAINING PIN           | 113      |           |              |                                 |
| 49       | 1         | 142 2826 010 | SPECIAL U.H.S SPINDLE          | 114      |           |              |                                 |
| 50       | 1         | 142 3113 000 | BELT TENSION SPRING            | 115      |           |              |                                 |
| 51       | 1         | 142 1870 000 | MOTOR ADJUSTING BLOCK          | 116      |           |              |                                 |
| 52       |           |              |                                | 117      |           |              |                                 |
| 53       | 2         | 82336400     | WHEEL AXLE SPACER              | 118      | 1         | 143 3549 000 | M20 FULL NUT                    |
| 54       | 1         | 142 2829 000 | SPECIAL CAPACITOR MOUNT        | 119      | 1         | 143 3562 000 | M20 INT. SHAKEPROOF WASHER      |
| 55       | 1         | 82336500     | BASE CASTING - ANTHRACITE GREY | 120      |           |              |                                 |
| 56       | 1         | 82336600     | BELT HOUSING COVER             | 121      |           |              |                                 |
| 57       | 1         | 142 1869 000 | MOTOR ADJUSTING STUD           | 122      |           |              |                                 |
| 58       | 1         | 82336700     | OUTPUT DRIVE HUB               | 123      |           |              |                                 |
| 59       |           |              |                                | 124      |           |              |                                 |
| 60       |           |              |                                | 125      |           |              |                                 |
| 61       | 2         | 82336800     | M8 SQUARE WASHER               | 126      |           |              |                                 |
| 62       | 1         | 142 2831 000 | IN-LINE MOTOR COVER            | 127      |           |              |                                 |
| 63       | 1         | 142 2832 000 | IN-LINE FAN COVER              | 128      |           |              |                                 |
| 64       |           |              |                                | 129      |           |              |                                 |
| 65       |           |              |                                | 130      |           |              |                                 |

N/S = NOT SHOWN

VAC MOUNT AND SKIRT



| Item No. | QTY. PER. | PART NO. | DESCRIPTION                         |
|----------|-----------|----------|-------------------------------------|
| 1        | 1         | 22341900 | UB 624 VACUUM MOUNT KIT             |
| 2        | 2         | 82342000 | SPECIAL ACCESSORY CLAMP             |
| 3        | 1         | 82342100 | UB 624 VACUUM MOUNT LOWER FRONT     |
| 4        | 1         | 82342200 | UB 624 VACUUM MOUNT UPPER FRONT     |
| 5        | 1         | 82342300 | UB 624 VACUUM MOUNT UPPER SPACER    |
| 6        | 1         | 82342400 | UB 624 VACUUM MOUNT SCREW GUIDE     |
| 7        | 4         | 82342500 | M6 x 20 CAP HEAD SCREW - BLACK      |
| 8        | 1         | 82342600 | M8 x 25 CAP HEAD SCREW - BLACK      |
| 9        | 1         | 82342700 | M8 x 16 HEX HEAD SCREW              |
| 10       | 1         | 82342800 | M8 LOCKNUT                          |
| 11       | 1         | 22342900 | NILFISK ADVANCE FLO-CLEAN SKIRT KIT |
| 12       | 1         | 82343000 | FLO-CLEAN VAC SKIRT                 |
| 13       | 1         | 82343100 | BLANKING CAP                        |
| 14       | 1         | 82343200 | STRAIGHT CUFF                       |