

WD 120

WD 135

WD 150

WD 250

**Nilfisk
ALTO**

Why Compromise

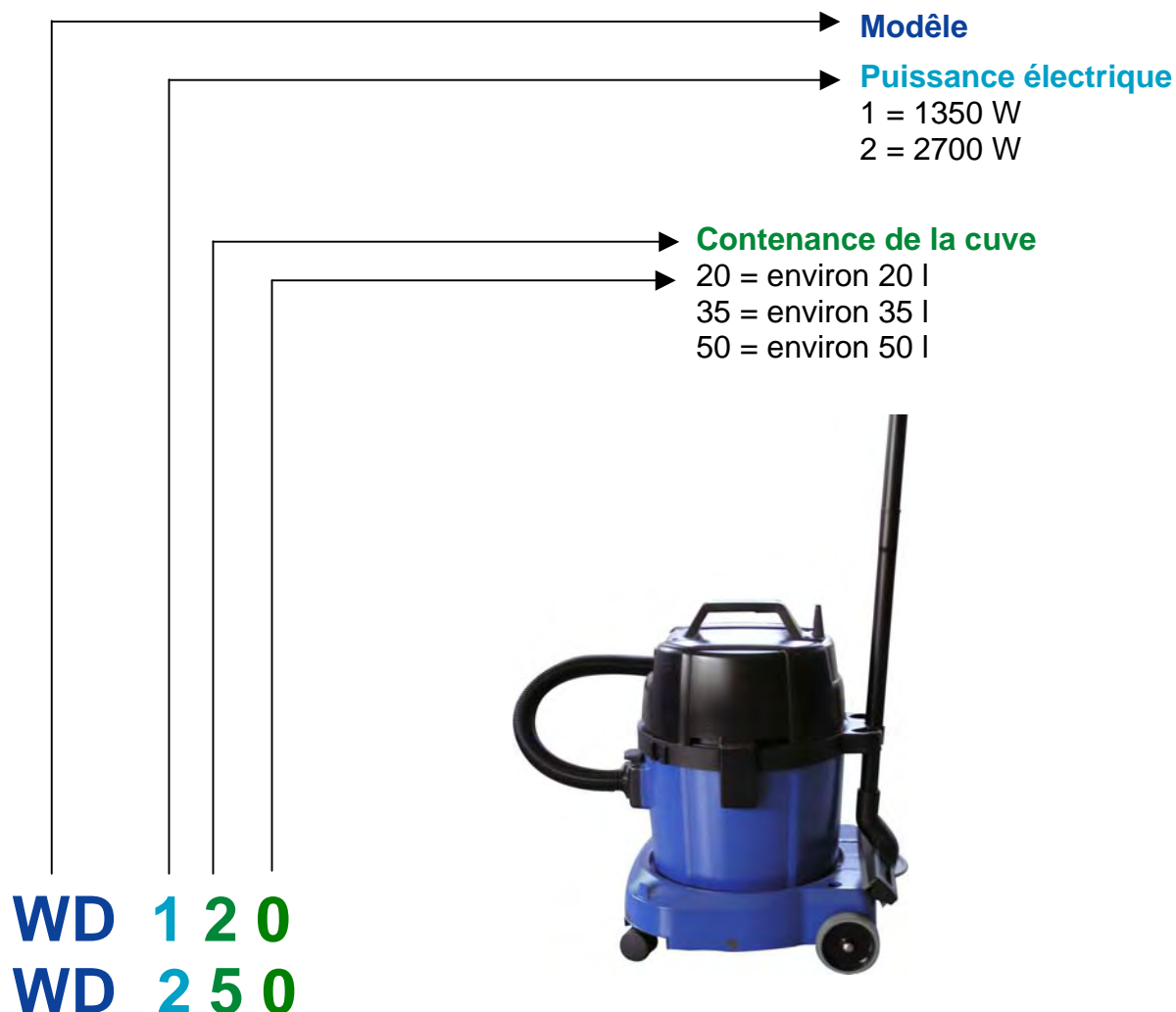


Manuel de pièces

**Wap
KEW**

TECHNOLOGIES

Codification :



Nos coordonnées :

ALTO France
Aéroparc 1, 19 rue Icare
F-67960 ENTZHEIM
N° Indigo 0825 869 300
0.15 Euro TTC la min
Fax: 03.88.30.05.00

Avertissement :

Aucune réclamation ne peut-être formulée sur la base des informations ou illustrations du présent manuel.

Les données techniques, designs et équipements sont susceptibles d'être modifiés sans préavis.

SOMMAIRE

PARTIE 1 : Tête moteur WD 120 et 135

PARTIE 2 : Tête moteur WD 150

PARTIE 3 : Tête moteur WD 250

PARTIE 4 : Cuve WD 120 et 135

PARTIE 5 : Chariot tout modèles

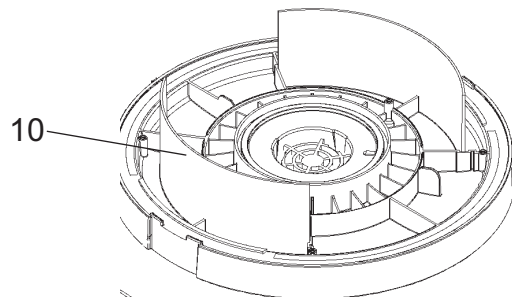
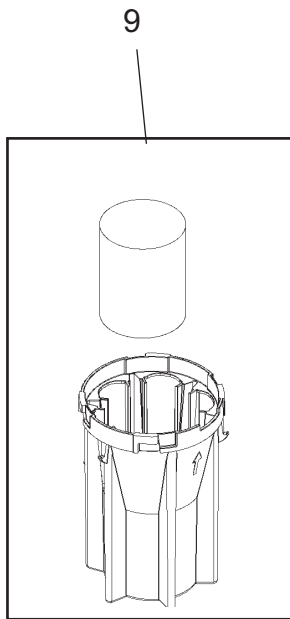
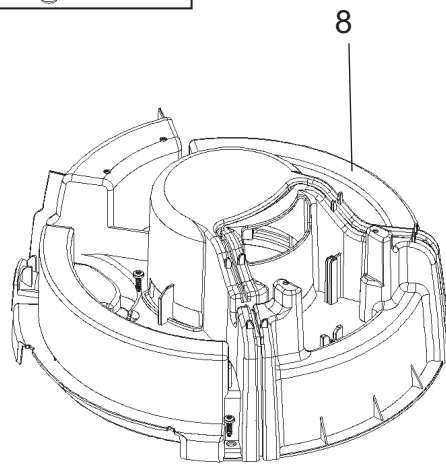
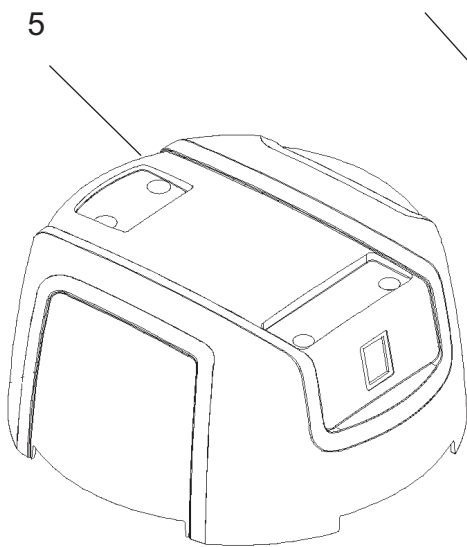
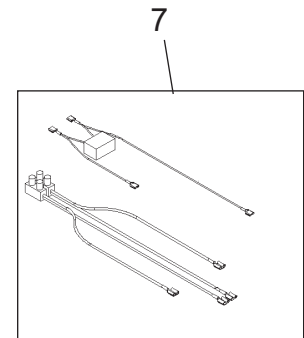
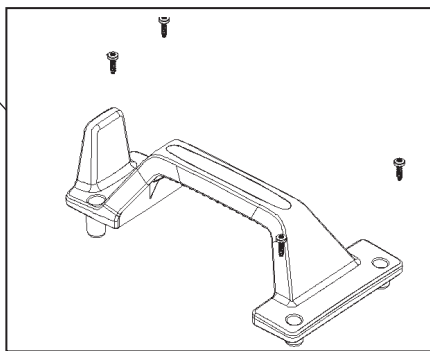
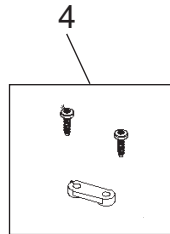
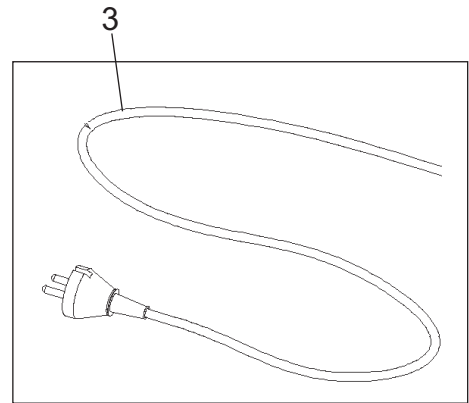
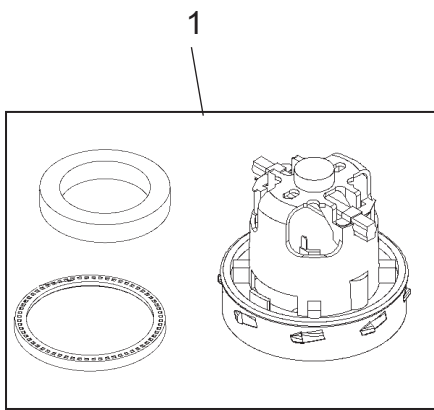
PARTIE 6 : Suceur de sol pour WD 150 et 250

PARTIE 7 : Accessoires tout modèles

PARTIE 8 : Eléments de filtration tout modèles

4

120, 135

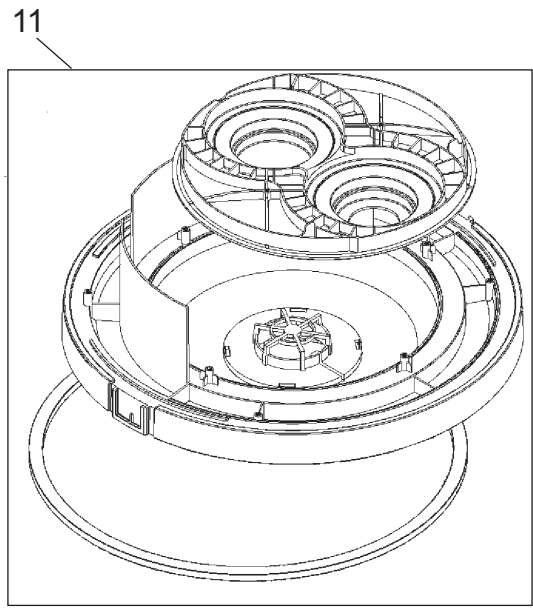
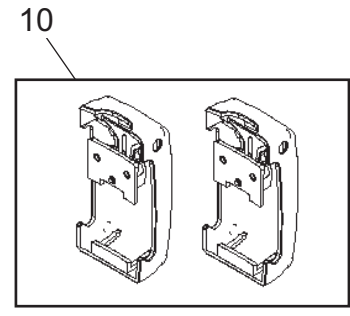
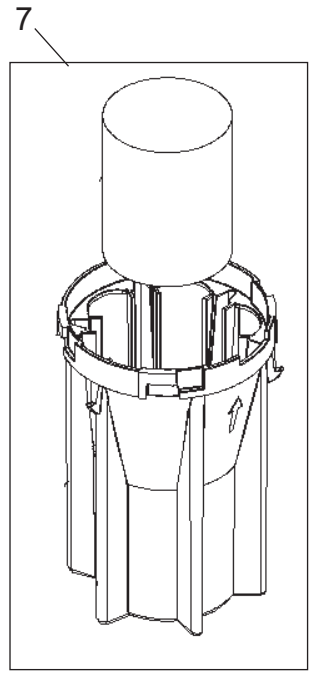
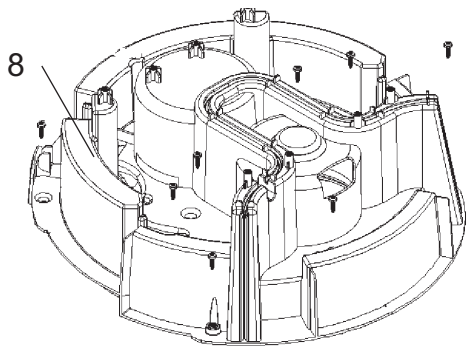
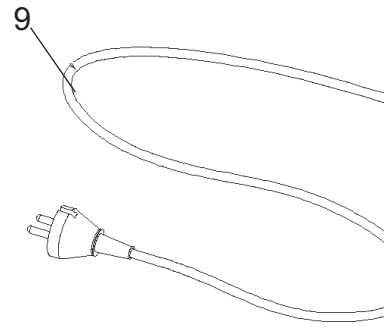
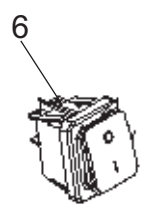
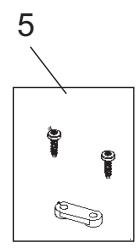
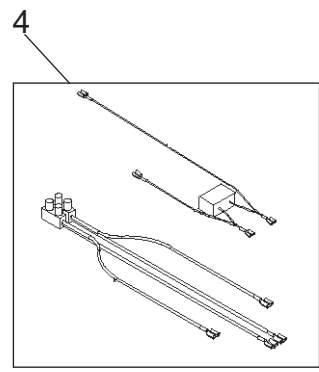
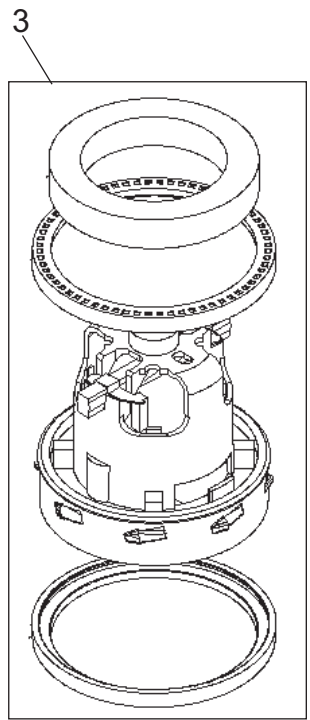
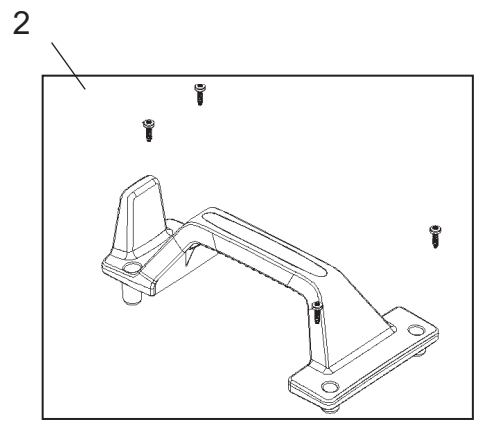
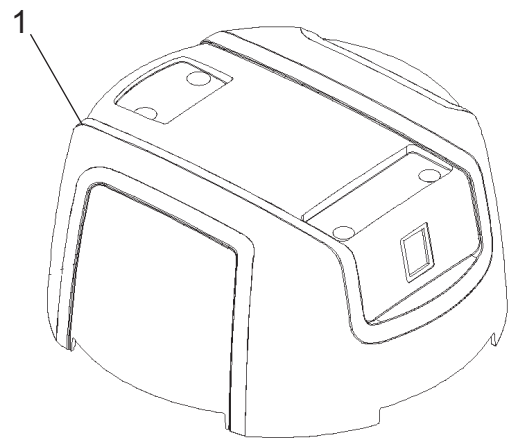


04-09**MOTOR TOP- ONE MOTOR****120, 135****5**

<u>Item.No.</u>	<u>Part No</u>	<u>Qty.</u>	<u>Description</u>	<u>Note</u>	<u>EAN code</u>
1	140 8689 500	1	Fan unit By-pass 220-240V	Gaskets incl.	7319519639919
1	140 8689 510	1	Fan unit By-pass 100-120V	Gaskets incl.	7319519639926
2	140 9537 500	2	Switch two pole		7319519639896
3	12222501	1	Cord set EU 10M		5715492008056
3	12222503	1	Cord set UK 10 M		5715492008063
4	140 6560 500	1	Anti strain clip	Screws incl.	7319519640632
5	140 8668 500	1	Cover outer, black	Screws incl.	7319519646801
6	140 8651 510	1	Handle, black	Screws incl.	7319519646856
7	140 7042 500	1	Internal wire		7319519640694
8	140 8653 500	1	Cover fan unit		7319519640663
9	140 8680 500	1	Float basket		7319519640700
10	140 8664 510	1	Chassis		7319519640656

8

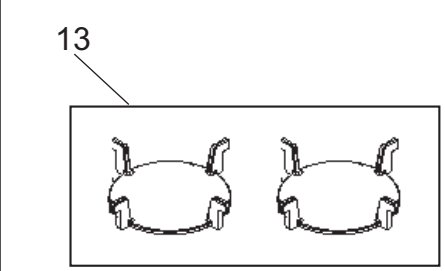
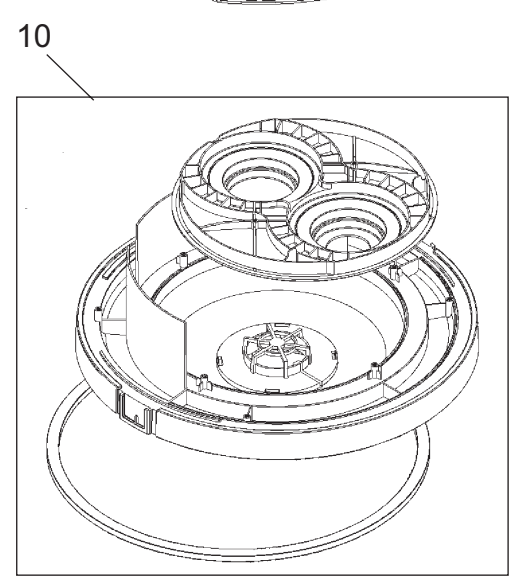
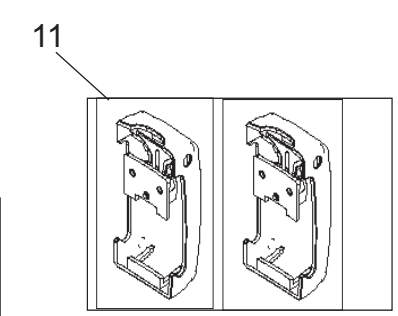
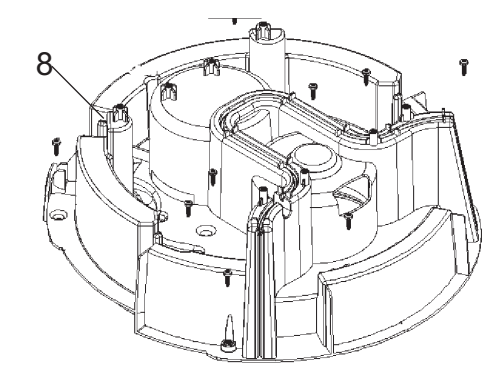
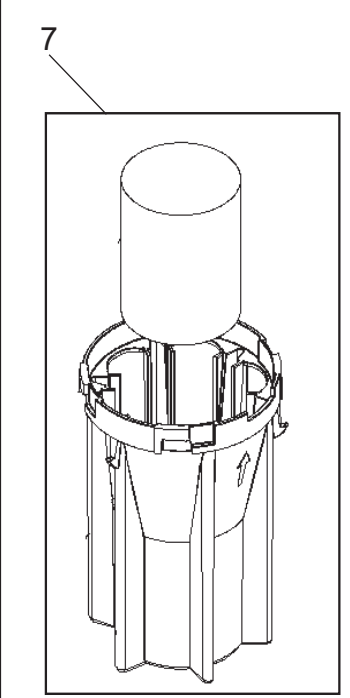
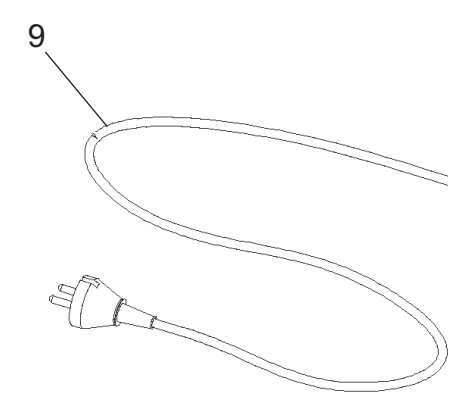
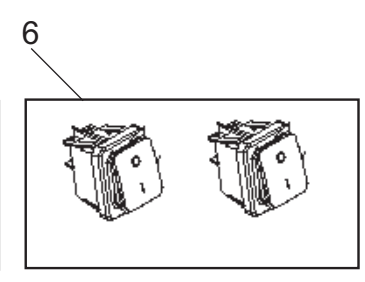
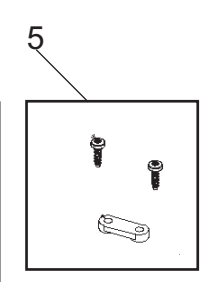
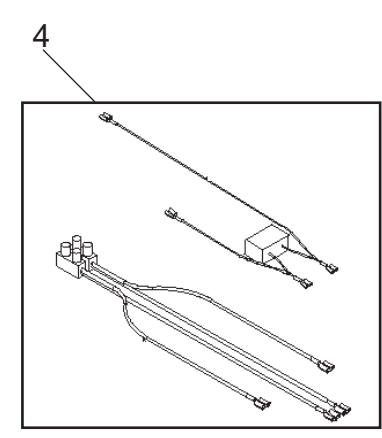
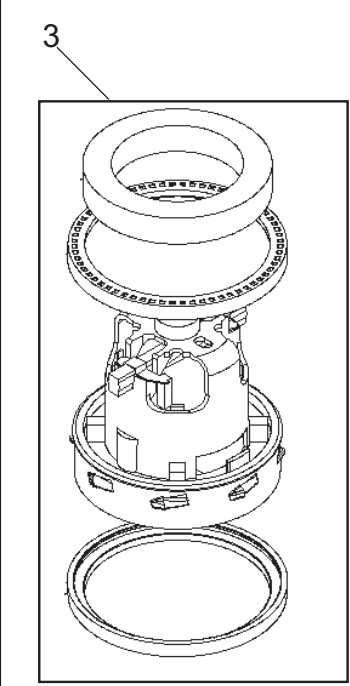
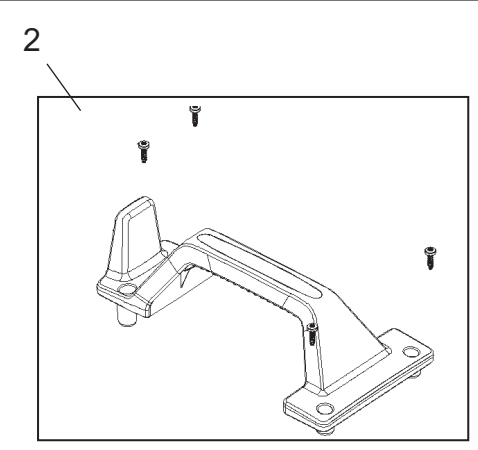
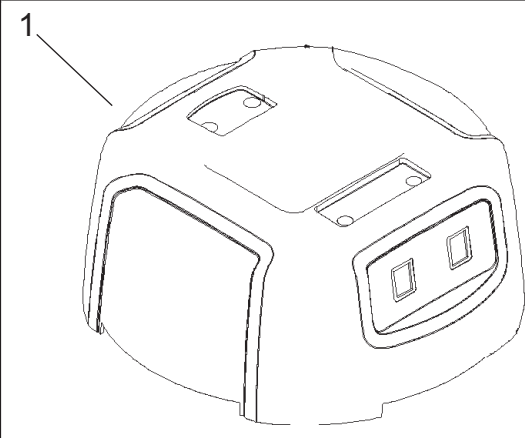
150



Item.No.	Part No	Qty.	Description	Note	EAN code
1	140 9532 500	1	Cover outer, black	Screws incl.	7319519646948
2	140 8651 510	1	Handle, black	Screws incl.	7319519646856
3	140 8689 500	1	Fan unit 220-240V BP	Gaskets incl.	7319519639919
3	140 8689 510	1	Fan unit 100-127V BP	Gaskets incl.	7319519639926
4	140 7042 500	1	Internal wire		7319519640694
5	140 6560 500	1	Anti strain clip	Screws incl.	7319519640632
6	140 9537 500	2	Switch two pole		7319519639896
7	140 8680 500	1	Float basket		7319519640700
8	140 9534 500	1	Cover fan unit		7319519640847
9	12222501	1	Cord set EU 10M		5715492008056
9	12222503	1	Cord set UK 10 M		5715492008063
10	140 8691 620	2	Latch 2-p	Top mounted latches	7319519646993
11	140 9508 500	1	Chassis	Sealing incl.	7319519640854

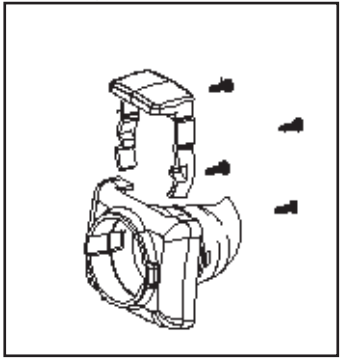
10

250

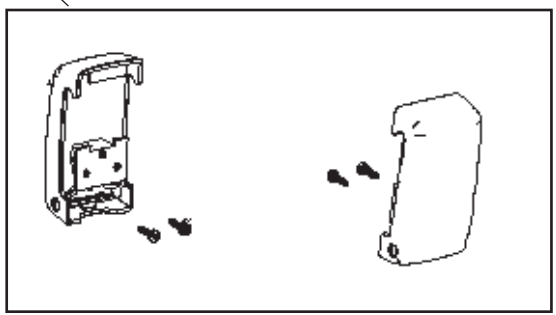


<u>Item.No.</u>	<u>Part No</u>	<u>Qty.</u>	<u>Description</u>	<u>Note</u>	<u>EAN code</u>
1	140 9530 500	1	Cover outer, black	Outlets for 2 switches	7319519646993
2	140 8651 510	1	Handle	Screws incl.	7319519646856
3	140 8689 500	1	Fan unit 220-240V BP	Gaskets incl.	7319519639919
3	140 8689 510	1	Fan unit 100-127V BP	Gaskets incl.	7319519639926
4	140 7620 530	1	Suppressor EU/UK/AU/NZ		7319519640892
5	140 6560 500	1	Anti strain clip	Screws incl.	7319519640632
6	140 9537 500	2	Switch two pole		7319519639896
7	140 8680 500	1	Float basket		7319519640700
8	140 9523 500	1	Cover fan unit	2-motor version	7319519640908
9	12222501	1	Cord set EU 10M		5715492008056
9	12222503	1	Cord set UK 10 M		5715492008063
10	140 9508 510	1	Chassis	2 motor version	7319519640861
11	140 8691 620	2	Latch 2-p		7319519646993
13	140 9526 500	2	Valve disc		7319519640878

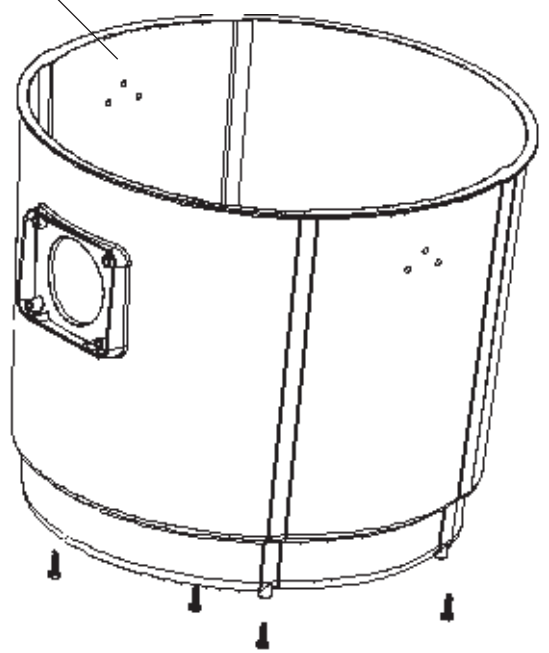
1



2



3

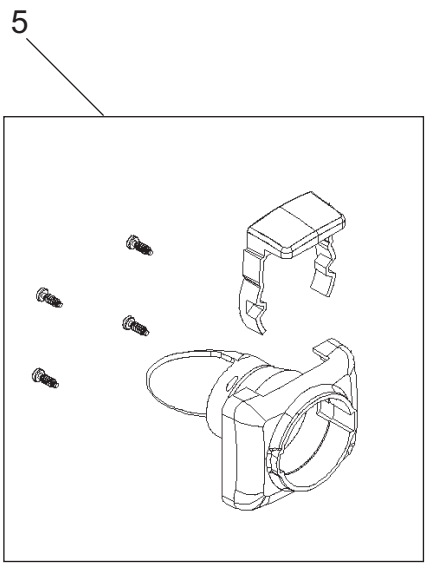
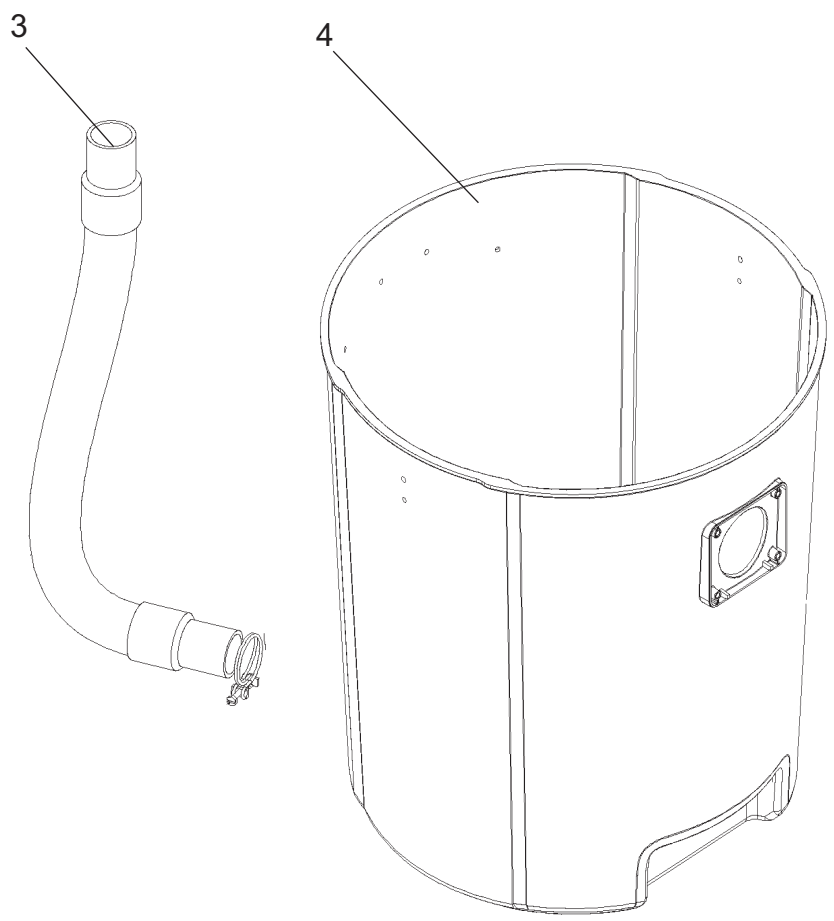
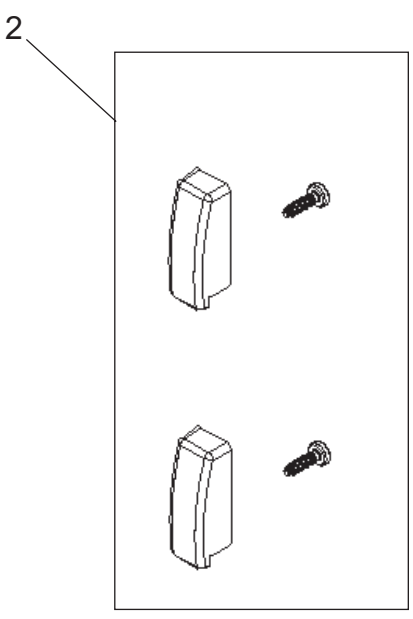
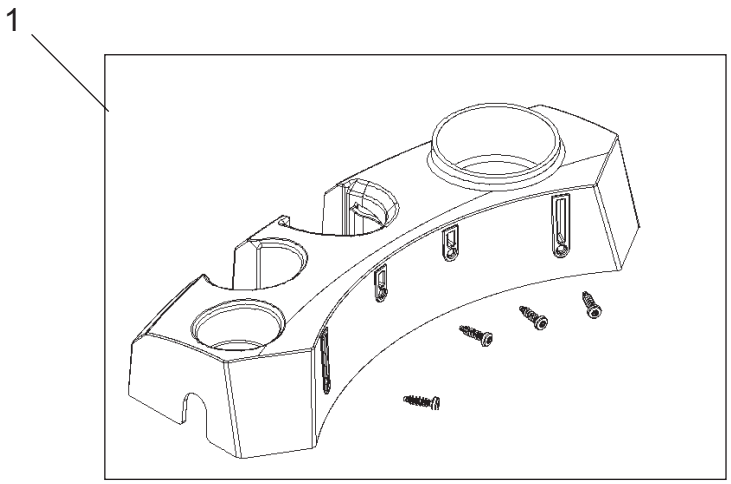


04-09**CONTAINER****D 120, 120, 135****13**

Item.No.	Part No	Qty.	Description	Note	EAN code
1	140 7204 520	1	Inlet, black		7319519647020
2	140 8691 520	2	Latches 2-p.		7319519648560
3	140 8660 530	1	Container 20 L, blue	Screws incl.	7319519646962
3	140 8672 530	1	Container 35 L, blue	Screws incl.	7319519647013

14

150, 250



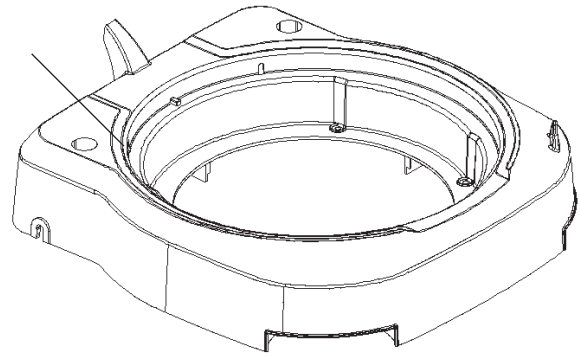
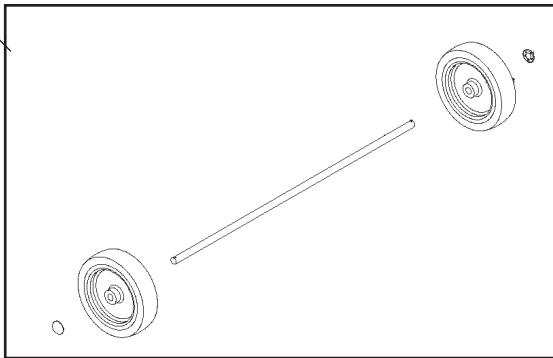
04-09**CONTAINER****150, 250****15**

Item.No.	Part No	Qty.	Description	Note	EAN code
1	140 9517 510	1	Bracket, container	Screws incl.	7319519647099
2	140 8685 500	2	Hook container	Screws incl.	7319519640984
3	140 7604 500	1	Hose 32x530		7319519640946
4	140 9538 520	1	Container 50L, blue	No drain outlet	7319519647068
5	140 7204 520	1	Inlet, black		7319519647020

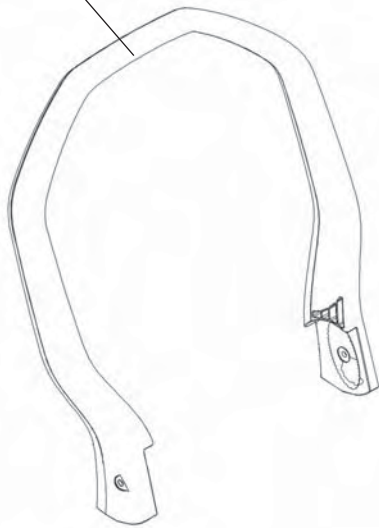
16

D 120, 120, 135,150, 250

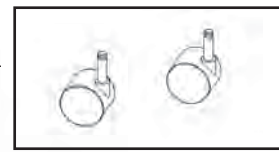
1



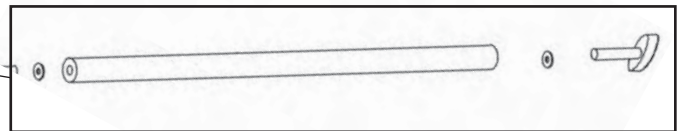
4



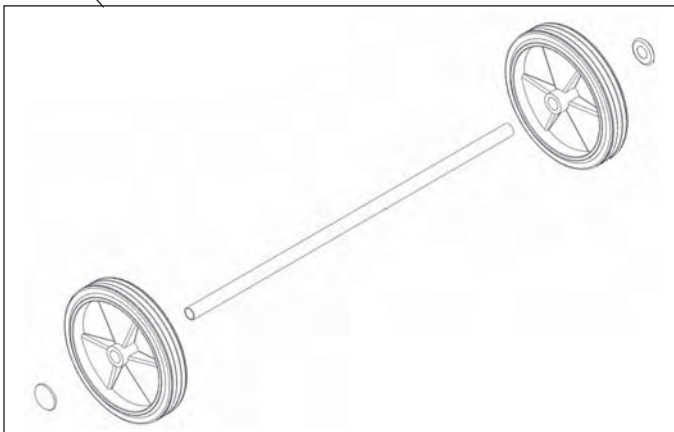
3



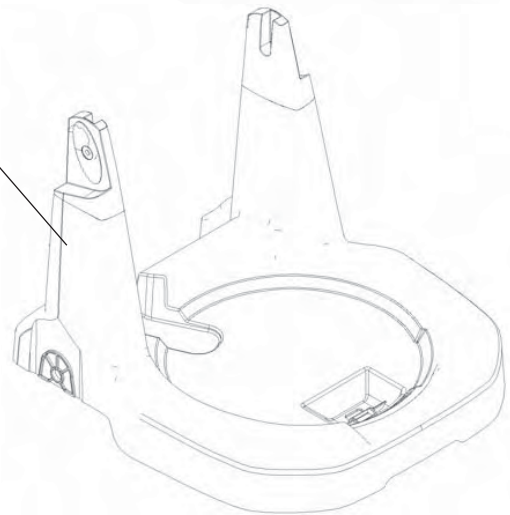
5



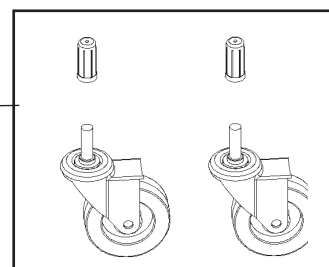
7



6



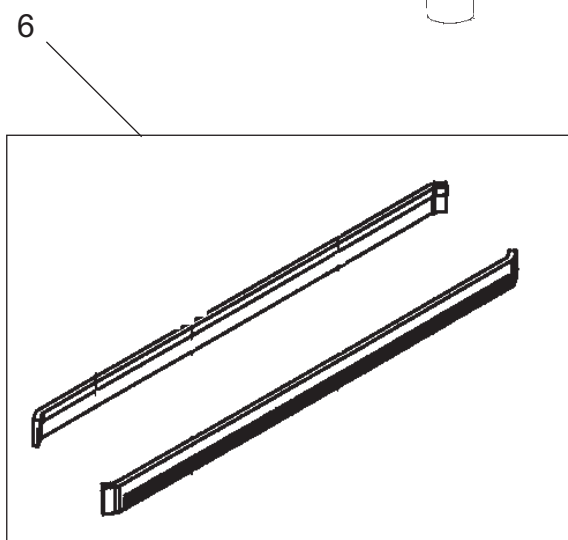
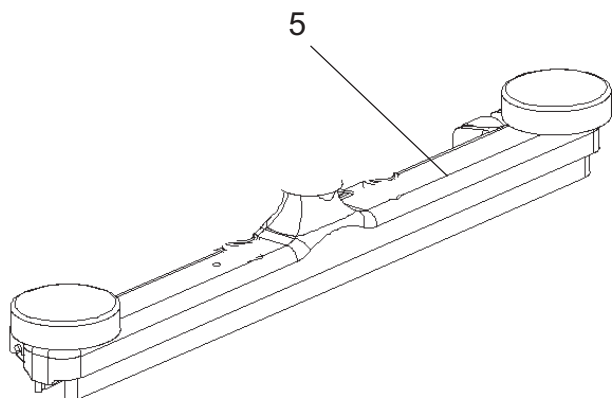
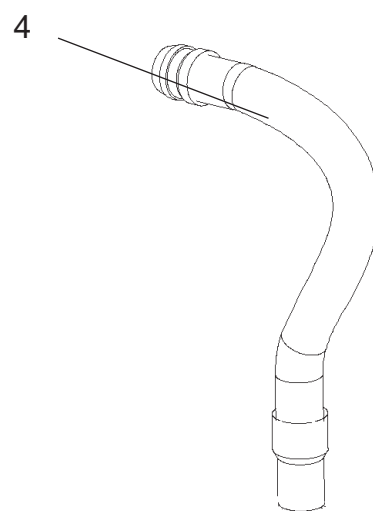
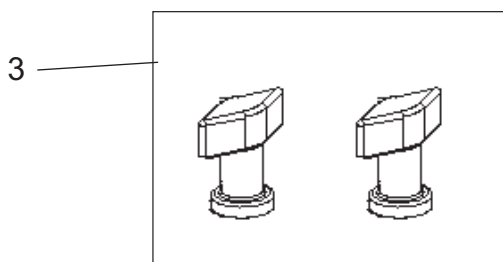
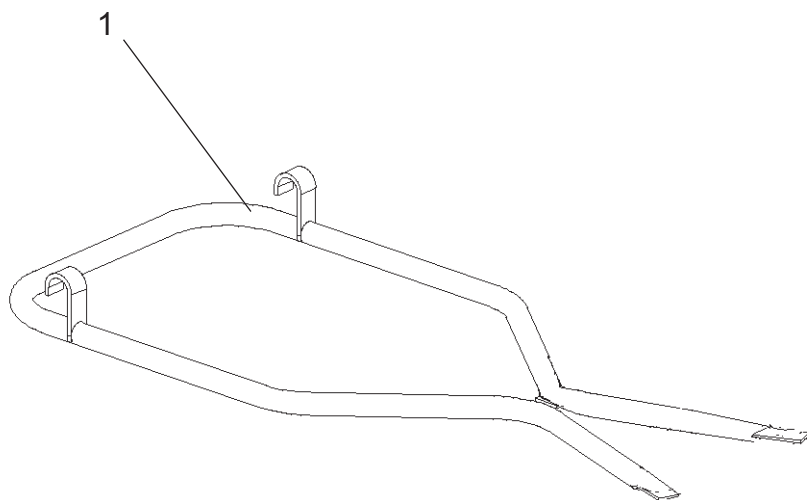
8



Item.No.	Part No	Qty.	Description	Note	EAN code
D 120 120, 135					
1	140 8446 600	2	Wheel rear 2-p.	Shaft incl.	7319519639902
2	140 8662 520	1	Frame for trolley, blue		7319519647037
3	140 6422 500	2	Wheel, link 50 mm	2 pcs.	7319519631760
150, 250,					
4	140 9519 510	1	Handle trolley, black		7319519647112
5	140 9544 500	1	Shaft Ø18mm	Screws incl.	7319519641325
6	140 9518 510	1	Frame, trolley, black		7319519647105
7	140 8156 500	2	Wheel, trolley Ø200mm	Shaft incl.	7319519641042
8	140 5476 500	2	Wheel, link trolley	Sleeves incl.	7319519641059

18

150, 250

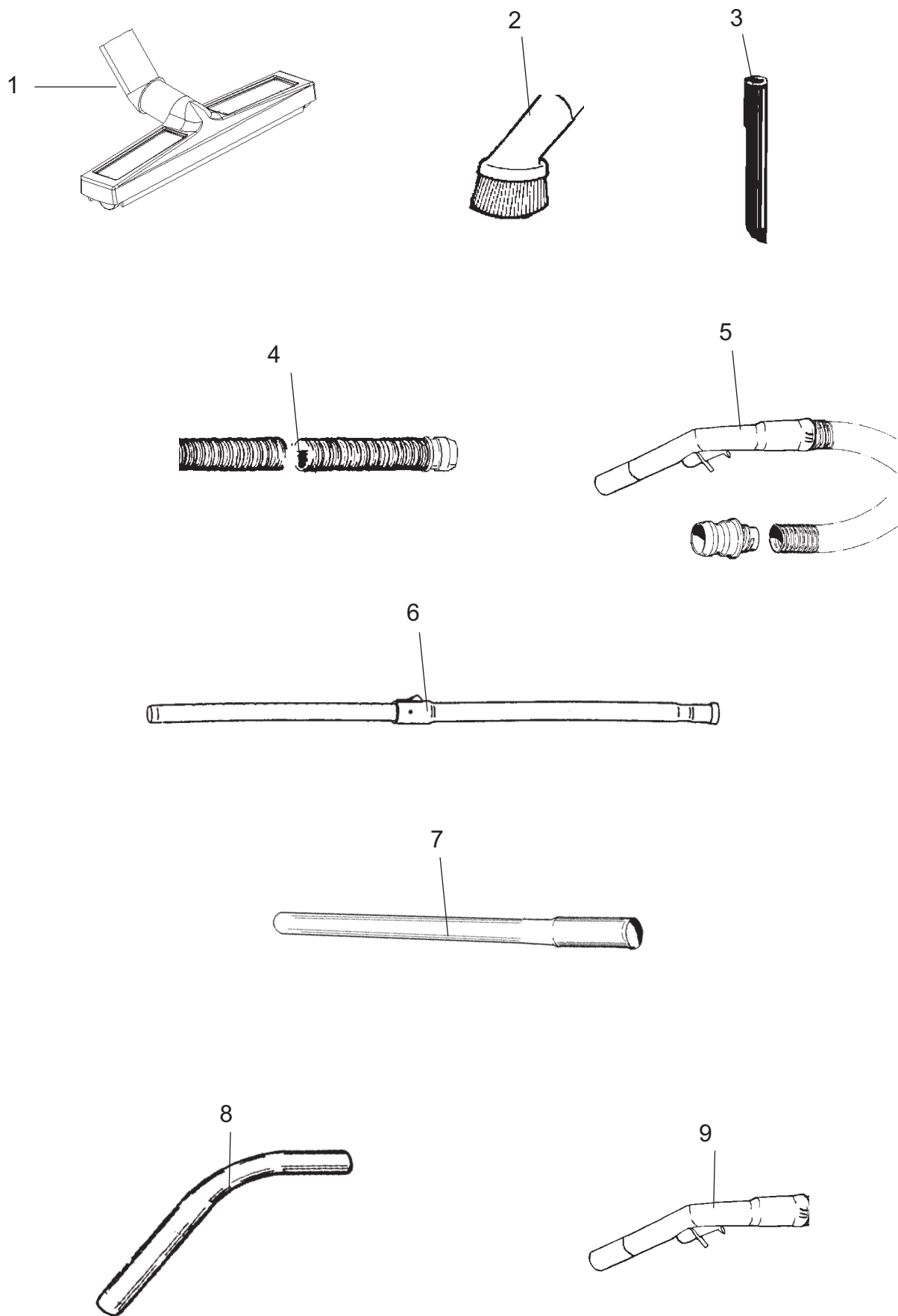


04-09**FRONT NOZZLE****150, 250****19**

No.	Part No.	Qty.	Description	EAN code
1	140 9546 500	1	Frame, front nozzle	7319519641110
2	140 9558 500	1	Clamp Ø 22 mm	7319519641103
3	140 7947 500	2	Nut, thumb 5/16	7319519641097
4	140 2148 500	1	Hose, d 38 MM1 1/2 ", 500mm	7319519641080
5	56209088	1	Squeegee 24"	
6	56105533	2	Blade, 24" 60 cm	

20

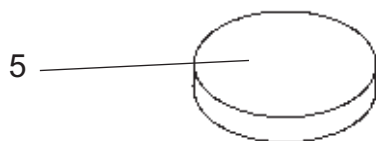
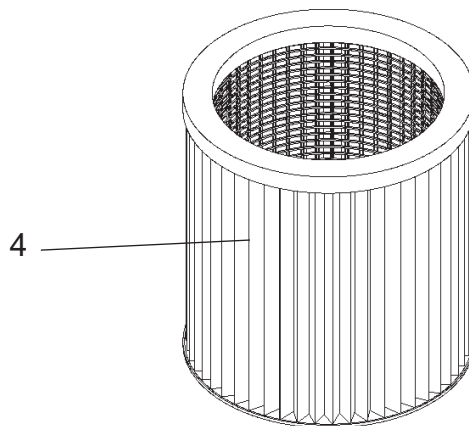
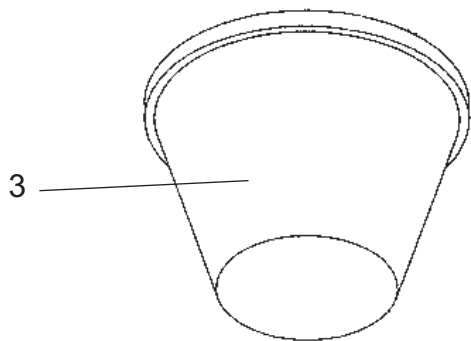
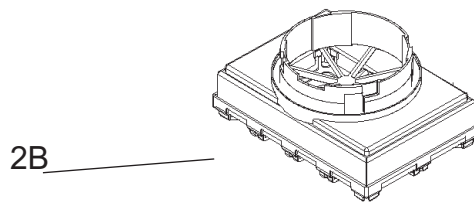
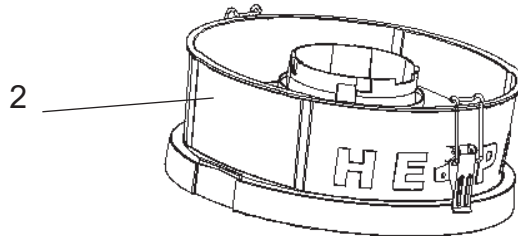
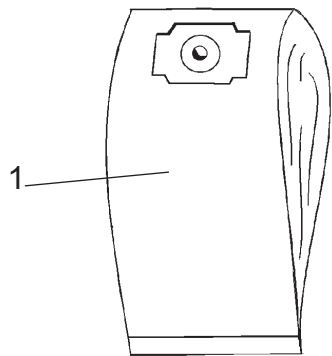
D 120, 120, 135, 150, 250



Item.No.	Part No	Qty.	Description	Note	EAN code
1	140 9598 500	1	Wet nozzle D 32 mm	Rubber strip	7319519639858
1	140 9598 520	1	Wet nozzle D 40 mm	Rubber strip	7319519641127
1	140 9598 510	1	Dry Nozzle, brush D 32 mm		7319519639865
1	140 9598 530	1	Dry nozzle, brush D 40 mm		7319519641134
2	140 8244 000	1	Brush nozzle D 32 mm		7319519412000
3	140 8012 000	1	Crevice nozzle D 32 mm		7319519607895
3	140 9599 500	1	Crevice nozzle D 40 mm	Black	7319519641141
4	140 9595 500	1	Hose plastic D 40 mm	Snap in coupl.	7319519641158
5	140 6430 500	1	Hose plastic D 32 mm	Snap in coupl.	7319519631869
6	81906500	1	Telescopic tube D 32 mm		7315492011872
7	140 8246 040	1	Extension tube steel D 32 mm	Black L=500 mm	7319519607864
7	140 9597 500	1	Extension tube steel D 40 mm	Black L=500 mm	7319519641165
8	140 9596 500	1	Hose handle D 40 mm	Mat.: Steel	7319519641172
9	140 7584 500	1	Hose handle D 32 mm	Mat.:Plastic	7319519631999

NOTE

Ø32 mm accessories for D 120, 120 135.



04-09**FILTER AND DUST BAGS****05-07****D 120, 120, 135, 150, 250****23**

Item.No.	Part No	Qty.	Description	Note	EAN code
1	>> 147 0745 010	3	Dust bags, paper	3 pcs. for 20L, 35L	5715492032143
1	147 0746 010	3	Dust bags, paper	3 pcs. for 50L,	5715492032167
2	140 8670 510	1	Cover HEPA		
2B	140 8678 500	1	Filter HEPA	Filter only	7319519644807
3	140 8658 500	1	Filter sack	For 120, 135	7319519639933
3	140 9512 500	1	Filter sack	For 150, 250	7319519641387
3	140 8658 510	1	Filter sack	For D 120	7319519639940
4	140 8686 500	1	Filter Cartridge	For all models	7319519641189
5	140 8682 500	1	Filter for motor	For all models	7319519639872



INTERNET
<http://www.alto-online.com>

ALTO HEADQUARTERS

Incentive International A/S
Kongens Nytorv 28
P.O.Box 2064
1013 Copenhagen K
Tel.: +45 72 18 10 00
Fax: +45 72 18 1164
E-mail: incentive@incentive-dk.com

SUBSIDIARIES**AUSTRALIA**

ALTO Overseas Inc.
1B/8 Resolution Drive
P.O.Box 797
Caringbah, N.S.W. 2229
Tel.: +61 2 95 24 61 22
Fax: +61 2 95 24 52 56

AUSTRIA

ALTO Österreich GmbH
Metzgerstr. 68
5101 Bergheim/Salzburg
Tel.: +43 6624 5 64 00-14
Fax: +43 6624 5 64 00-55
E-mail: wap@salzburg.co.at

BRAZIL

Wap do Brasil Ltda.
Rua 25 de Agosto, 608
83323-260 Pinhais/Paraná
Tel.: +55 4 12 10 67 40 0
Fax: +55 4 12 10 67 40 3
E-mail: wap@wapdobrazil.com.br

CANADA

ALTO Canada
24 Constellation Road
Rexdale
Ontario M9W 1K1
Tel.: +1 416 675 58 30
Fax: +1 416 675 69 89

CROATIA

Wap ALTO Strojevi za čišćenje, d.o.o.
Siget 18a
10020 Zagreb
Tel.: +385 1 65 54 144
Fax: +385 1 65 54 112
E-mail: admin.wap@wap-sistemi.hr

CZECH REPUBLIC

ALTO Česká Republika s.r.o.
Zateckých 9
14000 Praha 4
Tel.: +420 2 41 40 84 19
Fax: +420 2 41 40 84 39
E-mail: wap_p@mbox.vol.cz
Web: www.wap-alto.cz

DENMARK

ALTO Danmark A/S
Industrikvarteret
9560 Hadsund
Tel.: +45 7218 21 00
Fax: +45 7218 21 05
E-mail: saig@alto-dk.com

FRANCE

ALTO France S.A.
B.P. 44, 4 Place d'Ostwald
67036 Strasbourg Cedex 2
Tel.: +33 3 88 28 84 00
Fax: +33 3 88 30 05 00
E-mail: info@alto-fr.com

GERMANY

ALTO Deutschland GmbH
Guido-Oberdorfer-Straße 2-8
89287 Bellenberg
Tel.: +49 0180 5 37 37 37
Fax: +49 0180 5 37 37 38
E-mail: info@wap-online.de

GREAT BRITAIN

ALTO Cleaning Systems
(UK) Ltd.
Bowerbank Way
Gilwilly Industrial Estate, Penrith
Cumbria CA11 9BN
Tel.: +44 1 7 68 86 89 95
Fax: +44 1 7 68 86 47 13
E-mail: sales@alto-uk.com

NETHERLANDS

ALTO Nederland B.V.
Postbus 65
3370 AB Hardinxveld-
Giessendam
Tel.: +31 18 46 77 20 0
Fax: +31 18 46 77 20 1
E-mail: info@alto-nl.com

NEW ZEALAND

ALTO Overseas Inc.
5A Tarndale Grove
Albany Auckland
Tel.: +64 9 414 4520
Fax: +64 9 414 4521
E-mail: altonz@ihug.co.nz

NORWAY

ALTO Norge A/S
Bjørnerudveien 24
1266 Oslo
Tel.: +47 22 75 17 70
Fax: +47 22 75 17 71
E-mail: info@alto-no.com

SINGAPORE

ALTO DEN-SIN Singapore Pte Ltd.
No. 17 Link Road
Singapore 619034
Tel.: +65 62 68 10 06
Fax: +65 62 68 49 16
E-mail: densin@singnet.com.sg
Web: www.densin.com

SLOVENIA

Wap ALTO čistilni sistemi, d.o.o.
Letališka 33
SLO-1110 Ljubljana
Tel.: +368 15 20 62 00
Fax: +368 15 20 62 10
E-mail: wap@siol.net

SLOWAKIA

Wap ALTO čistiace systémy s.r.o.
Remeselnícka 42
83106 Bratislava-Rača
Tel.: +421 2 44 881 402
Fax: +421 2 44 881 395
E-mail: wap@gtinet.sk
Web: www.wap-alto.sk

SPAIN

ALTO Ibérica, S.L.
Torre Europa
Paseo de la Castellana, 95
Planta 15
28046 Madrid
Tel.: +34 902 36 21 24
Fax: +34 914 18 69 99
E-mail: info@alto-es.com

SWEDEN

ALTO Sverige AB
Aminogatan 18
431 04 Mölndal
Tel.: +46 3 17 06 73 00
Fax: +46 3 17 06 73 41
E-mail: info@alto-se.com

USA

ALTO Cleaning Systems, Inc.
12249 Nations Ford Road
28134 Pineville
Tel.: +1 704 971 1240
Fax: +1 704 971 1241
E-mail: info@altocsi.com