

COD. 65306001

SAPPHIRE 65  
63709

09 2006

Catalogo ricambi  
Spare parts catalogue  
Catalogue de pièces détachées  
Ersatzkatalog  
Catálogo piezas de repuesto

## SOMMARIO – SUMMARY – INHALTSANGABE - INDICE

### 01A

GRUPPO BASAMENTO SAPPHIRE 65  
BRUSHES BASE ASSEMBLY  
GROUPE D'EMBASE DES BROSSES  
GRUPPE BÜRSTENGHÄUSE  
GRUPO BANCADA DE LOS CEPILLOS

### 01B

GRUPPO BASAMENTO SAPPHIRE 85  
BRUSHES BASE ASSEMBLY  
GROUPE D'EMBASE DES BROSSES  
GRUPPE BÜRSTENGHÄUSE  
GRUPO BANCADA DE LOS CEPILLOS

### 02A

GRUPPO RIDUTTORE DESTRO  
REDUCTION GEAR ASSEMBLY RIGHT  
GROUPE REDUCTEUR DROITE  
GETRIEBEGRUPPE RECHTS  
GRUPO REDUCTOR DERECHO

### 02B

GRUPPO RIDUTTORE SINISTRO  
REDUCTION GEAR ASSEMBLY LEFT  
GROUPE REDUCTEUR GAUCHE  
GETRIEBEGRUPPE LINKS  
GRUPO REDUCTOR IZQUIERDO

### 03

GRUPPO COMANDO BASAMENTO  
BRUSHES BASE CONTROL ASSEMBLY  
GROUPE COMMANDE EMBASE DES BROSSES  
GRUPPE BÜRSTENBETÄTIGUNG  
GRUPO MANDO BANCADA DE LOS CEPILLOS

### 04

GRUPPO TELAIO  
FRAME ASSEMBLY  
GROUPE DE CHASSIS  
GRUPPE CHASSIS  
GRUPO BASTIDOR

### 05

GRUPPO PEDALE FRENO  
BRAKE PEDAL ASSEMBLY  
GROUPE DE LA PEDALE DU FREIN  
GRUPPE BREMSPEDAL  
GRUPO PEDAL DE FRENO

### 06

GRUPPO STERZO  
STEERING WHEEL ASSEMBLY  
GROUPE DE VOLANT  
GRUPPE STEUERRAD  
GRUPO DE LA DIRECCIÓN

### 07

GRUPPO SERBATOI E ASPIRAZIONE  
TANKS AND SUCTION ASSEMBLY  
GROUPE DES RESERVOIRS + DE L'ASPIRATION  
GRUPPE TANKS UND ABSAUGUNG  
GRUPO DEPÓSITOS Y ASPIRACIÓN

### 08

GRUPPO IDRICO  
WATER UNIT ASSEMBLY  
GROUPE HYDRIQUE  
WASSERGRUPPE  
GRUPO HÍDRICO

### 09

GRUPPO TERGIPAVIMENTO  
SQUEEGEE ASSEMBLY  
ENSEMBLE DE SUCEUR  
GRUPPE SAUGFUSS  
GRUPO MANDO SISTEMA DE SECADO

### 10

GRUPPO COMANDO TERGIPAVIMENTO  
SQUEEGEE CONTROL ASSEMBLY  
GROUPE COMMANDE DU SUCEUR  
GRUPPE SAUGFUSSBETÄTIGUNG  
GRUPO MANDO SISTEMA DE SECADO

### 11

GRUPPO CARROZZERIA  
BODYWORK ASSEMBLY  
GROUPE DE CARROSSERIE  
GRUPPE KAROSSERIE  
GRUPO CARROCERÍA

### 12

GRUPPO PANNELLO COMANDI  
ASSEMBLY PANEL OF CONTROLS  
GROUPE DE PANNEAU DES COMMANDES  
GRUPPE KONTROLLTAFEL  
GRUPO PANEL DE MANDOS

### 13

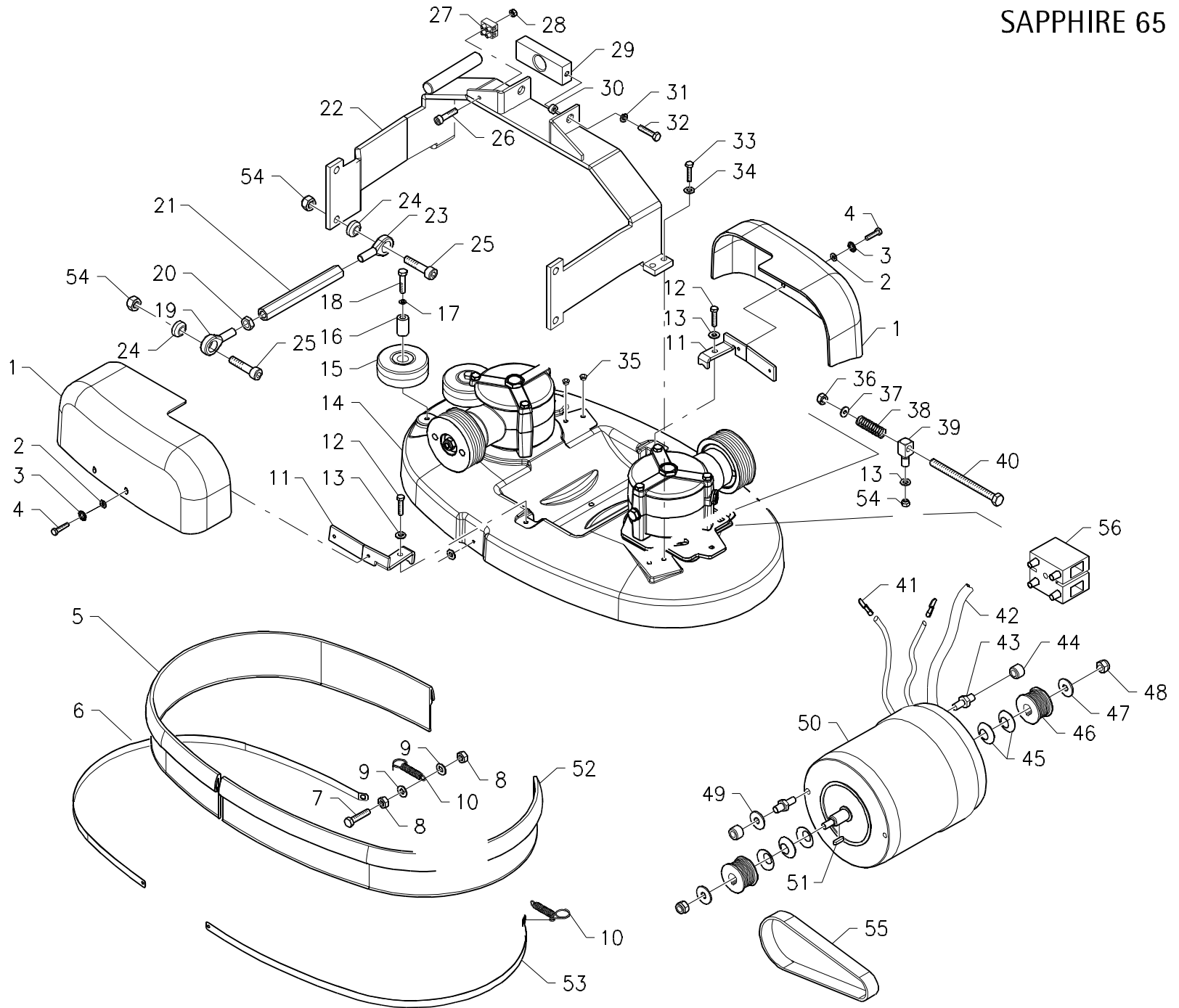
GRUPPO IMPIANTO ELETTRICO  
ELECTRICAL LAYOUT ASSEMBLY  
GROUPE INSTALLATION ELECTRIQUE  
GRUPPE ELEKTRISCHE ANLAGE  
GRUPO INSTALACIÓN ELÉCTRICA

### 14

GRUPPO MOTORIDUTTORE-FRENO-RUOTE  
GEARED MOTOR ASSEMBLY-BRAKE-WHEELS  
GROUPE MOTOREDUCTEUR-FREIN-ROUES  
GRUPPE GETRIEBEMOTOR-BREMSE-RÄDER  
GRUPO MOTORREDUCTOR-FRENO-RUEDAS

### 15

GRUPPO MOTORIDUTTORE COMANDO TERGI  
GEARED MOTOR ASSEMBLY SQUEEGEE CONTROL  
GROUPE MOTOREDUCTEUR COMMANDE  
SUCEUR  
GRUPPE GETRIEBEMOTOR  
SAUGFUSSBETÄTIGUNG  
GRUPO MOTORREDUCTOR MANDO SISTEMA SEC.



## GRUPPO BASAMENTO SAPPHIRE 65

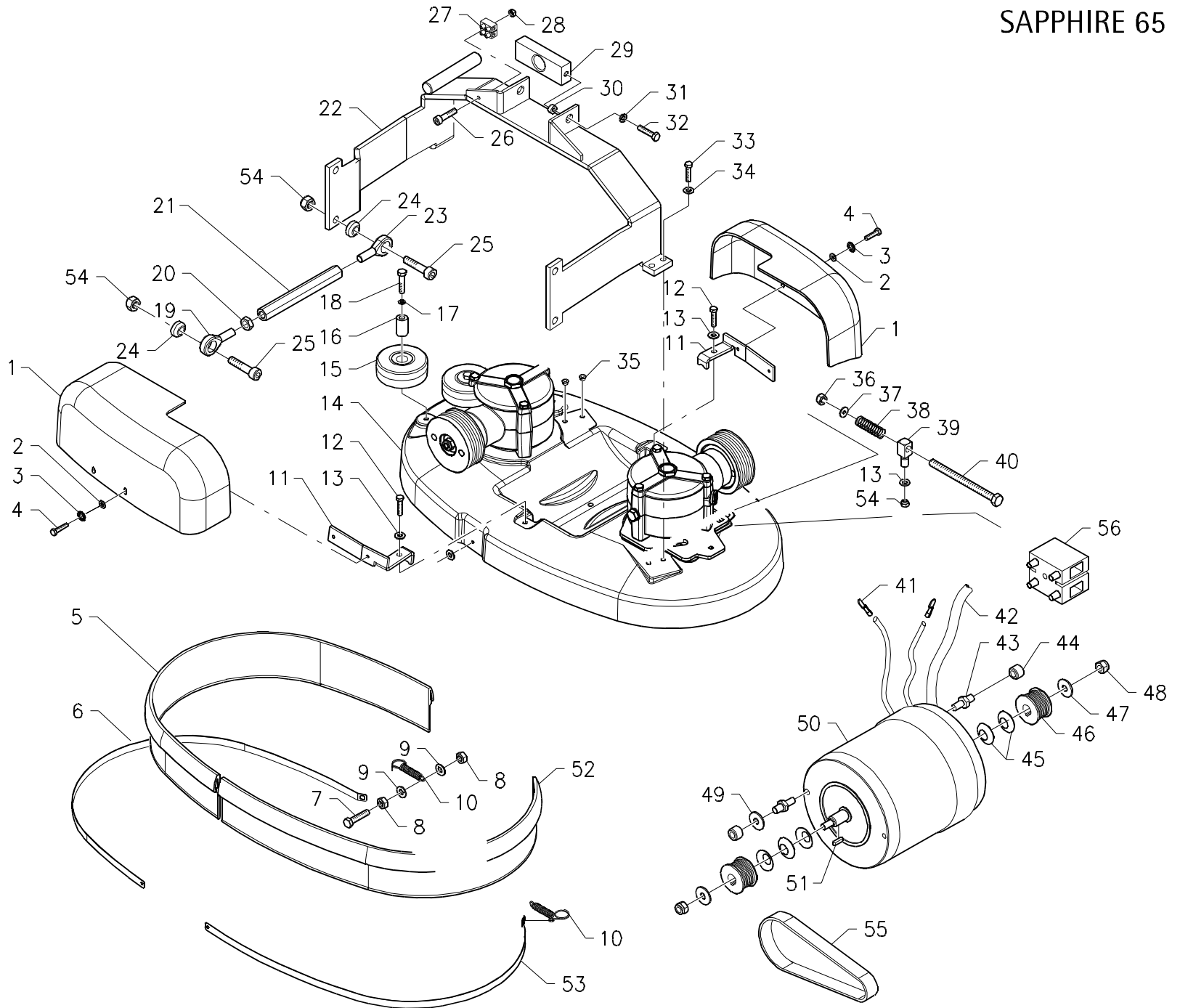
BRUSHES BASE ASSEMBLY • GROUPE D'EMBASE DES BROSSES • GRUPPE BÜRSTENGEHÄUSE • GRUPO BANCADA DE LOS CEPILLOS

01A

| Pos. | S/N | Codice   | Q.tà | Denominazione                       | Description                | Description                  | Benennung                  | Descripción                  |
|------|-----|----------|------|-------------------------------------|----------------------------|------------------------------|----------------------------|------------------------------|
| 1    |     | 20302120 | 2    | CARTER CINGHIA                      | BELT COVER                 | CARTER DE COURROIE           | RIEMENABDECKUNG            | CÁRTER DE CORREA             |
| 2    |     | 60305005 |      | RONDELLA 5x20x1,5                   | WASHER                     | RONDELLE                     | UNTERLAGSCHEIBE            | ARANDELA                     |
| 3    |     | 60505001 |      | RONDELLA DENT. Ø 5 DIN 6798/A       | LOCK WASHER                | RONDELLE FREIN               | ZAHNSCHEIBE                | ARANDELA DENTADA             |
| 4    |     | 60110502 |      | VITE M5x12 TE UNI 5739 DIN 933      | SCREW                      | VIS                          | SCHRAUBE                   | TORNILLO                     |
| 5    |     | 48603010 | 1    | PARASPRUZZI DESTRO                  | SPLASH GUARD RIGHT         | BAVETTE DE PROTECTION DROITE | SPRITZGUMMI RECHTS         | PARASALPICADURAS DERECHO     |
| 6    |     | 20302190 | 1    | LISTELLO PARASPRUZZI DESTRO         | BLADE SPLASH GUARD RIGHT   | LAME BAVETTE DROITE          | SPRITZGUMMILEISTE RECHTS   | LISTÓN PARASALPICADURAS DER. |
| 7    |     | 60110406 |      | VITE M4x20 TE UNI 5739 DIN 933 INOX | SCREW INOX                 | VIS INOX                     | SCHRAUBE INOX              | TORNILLO INOX                |
| 8    |     | 60220401 |      | DADO M4 H6 AUTOBL. UNI 7473         | LOCK NUT                   | ECROU AUTOBLOQUANT           | STOPMUTTER                 | TUERCA AUTOBLOQUEANTE        |
| 9    |     | 60305001 |      | ROSETTA 5x10x1 UNI 6592             | WASHER                     | RONDELLE                     | UNTERLAGSCHEIBE            | ARANDELA                     |
| 10   |     | 47220010 |      | MOLLA AGGANCIO LISTELLO             | COUPLING SPRING BLADE      | RESSORT D'ACCROCHAGE         | ARRETIERUNGSFEDER LEISTE   | RESORTE ENGANCHE             |
| 11   |     | 20302090 | 2    | STAFFA CARTER                       | COVER SUPPORT              | ATTAQUE DE CARTER            | HALTERUNG ABDECKUNG        | SOPORTE DE CÁRTER            |
| 12   |     | 60110807 |      | VITE M8x20 TE UNI 5739 DIN 933      | SCREW                      | VIS                          | SCHRAUBE                   | TORNILLO                     |
| 13   |     | 60512004 |      | RONDELLA 12 GROWER ASA B27          | LOCK WASHER                | RONDELLE FREIN               | ZAHNSCHEIBE                | ARANDELA DENTADA             |
| 14   |     | 48503010 | 1    | BASAMENTO SPAZZOLE                  | BRUSHES BASE               | EMBASE DES BROSSES           | BÜRSTENGEHÄUSE             | BANCADA DE LOS CEPILLOS      |
| 15   |     | 46541010 | 2    | RUOTA PARACOLPI Ø 80x30 GRIGIA      | BUMPER WHEEL               | ROUE DE BUTEE                | ABWEISROLLE                | RUEDA PARACHOQUES            |
| 16   |     | 47101040 | 2    | BOCCOLA                             | BUSHING                    | BAGUE                        | BUCHSE                     | CASQUILLO                    |
| 17   |     | 60308009 |      | ROSETTA 8x32x2,5 UNI 6593           | WASHER                     | RONDELLE                     | UNTERLAGSCHEIBE            | ARANDELA                     |
| 18   |     | 60110823 |      | VITE M8x45 TE UNI 5739 DIN 933      | SCREW                      | VIS                          | SCHRAUBE                   | TORNILLO                     |
| 19   |     | 61451202 | 4    | TESTA SNODO AUTOL. M12 FILETTO SN   | ARTICULATION HEAD          | TETE ARTICULEE               | KOPFGELENK                 | TESTA DE ARTICULACIÓN        |
| 20   |     | 60211201 |      | DADO M12 H7 UNI 5589 DIN936         | NUT                        | ECROU                        | MUTTER                     | TUERCA                       |
| 21   |     | 20603040 | 4    | BRACCIO COM. BASAMENTO              | ARM BRUSHES BASE CONTROL   | BRAS COMMANDE DE BROSSES     | ARM BÜRSTENBETÄTIGUNG      | BRAZO MANDO BANCADA CEP.     |
| 22   |     | 20603010 | 1    | ATTACCO BRACCI BASAMENTO            | SUPPORT ARMS BRUSHES BASE  | SUPPORT BRAS COMM. BROSSES   | HALTERUNG ARME BÜRSTENBET. | SOPORTE BRAZOS MANDO BANC.   |
| 23   |     | 61451201 | 4    | TESTA SNODO AUTOL. M12 FILETTO DX   | ARTICULATION HEAD          | TETE ARTICULEE               | KOPFGELENK                 | TESTA DE ARTICULACIÓN        |
| 24   |     | 47006010 | 8    | DISTANZIALE                         | SPACER                     | ENTRETOISE                   | DISTANZHÜLSE               | DISTANCIADOR                 |
| 25   |     | 60131209 |      | VITE M12x50 TCEI UNI 5931           | SCREW                      | VIS                          | SCHRAUBE                   | TORNILLO                     |
| 26   |     | 60130608 |      | VITE M6x35 TCEI UNI 5931            | SCREW                      | VIS                          | SCHRAUBE                   | TORNILLO                     |
| 27   |     | 49400020 | 1    | MORSETTIERA 25x2                    | TERMINAL BOARD             | BARRETTE DE CONNEXION        | KLEMMBRETT                 | CAJA DE BORNES               |
| 28   |     | 60220601 |      | DADO M6 H6 AUTOBL. UNI 7474         | LOCK NUT                   | ECROU AUTOBLOQUANT           | STOPMUTTER                 | TUERCA AUTOBLOQUEANTE        |
| 29   |     | 20603050 | 1    | SNODO COM. BASAMENTO                | JOINT BRUSHES BASE CONTROL | JOINT COMMANDE DE BROSSES    | GELENK BÜRSTENBETÄTIGUNG   | ARTICULACIÓN MANDO BANC.     |
| 30   |     | 47103080 | 2    | BOCCOLA                             | BUSHING                    | BAGUE                        | BUCHSE                     | CASQUILLO                    |
| 31   |     | 60508005 |      | RONDELLA SCHNORR Ø 8x TIPO S        | WASHER                     | RONDELLE                     | UNTERLAGSCHEIBE            | ARANDELA                     |
| 32   |     | 60110807 |      | VITE M8x20 TE UNI 5739              | SCREW                      | VIS                          | SCHRAUBE                   | TORNILLO                     |
| 33   |     | 60110809 |      | VITE M8x25 TE UNI 5739              | SCREW                      | VIS                          | SCHRAUBE                   | TORNILLO                     |
| 34   |     | 60508001 |      | RONDELLA 8 GROWER ASA B27           | LOCK WASHER                | RONDELLE FREIN               | ZAHNSCHEIBE                | ARANDELA DENTADA             |
| 35   |     | 62030002 | 2    | TAPPO SALVAFILETTO TSF/7            | CAP                        | CAPUCHON                     | STÖPSEL                    | TAPÓN                        |
| 36   |     | 60221003 |      | DADO M10 H12 AUTOBL. UNI 7473       | LOCK NUT                   | ECROU AUTOBLOQUANT           | STOPMUTTER                 | TUERCA AUTOBLOQUEANTE        |
| 37   |     | 60310002 |      | ROSETTA 10x21x2 UNI 6592            | WASHER                     | RONDELLE                     | UNTERLAGSCHEIBE            | ARANDELA                     |
| 38   |     | 47210140 | 1    | MOLLA COMPR. 17x3,5x46              | COMPRESSION SPRING         | RESSORT DE COMPRESSION       | DRUCKFEDER                 | RESORTE DE COMPRESIÓN        |
| 39   |     | 20302160 | 1    | COLONNETTA M12                      | STUD BOLT                  | COLONNETTE                   | SCHRAUBBOLZEN              | PRISIONERO                   |
| 40   |     | 60111035 |      | VITE M10x120 TE UNI 5739            | SCREW                      | VIS                          | SCHRAUBE                   | TORNILLO                     |
| 41   |     | 62511003 | 2    | TERMINALE 10MMQ-P12 ROSSO           | TERMINAL                   | BORNE                        | KABELSCHUH                 | TERMINAL                     |

|    |          |   |               |           |               |              |                |
|----|----------|---|---------------|-----------|---------------|--------------|----------------|
| 42 | 47807080 | 1 | GUAINA 14x315 | SHEATH    | GAINE         | SCHUTZMANTEL | VAINA          |
| 43 | 20302080 | 2 | PERNO MOTORE  | MOTOR PIN | AXE DE MOTEUR | MOTORBOLZEN  | PERNO DE MOTOR |



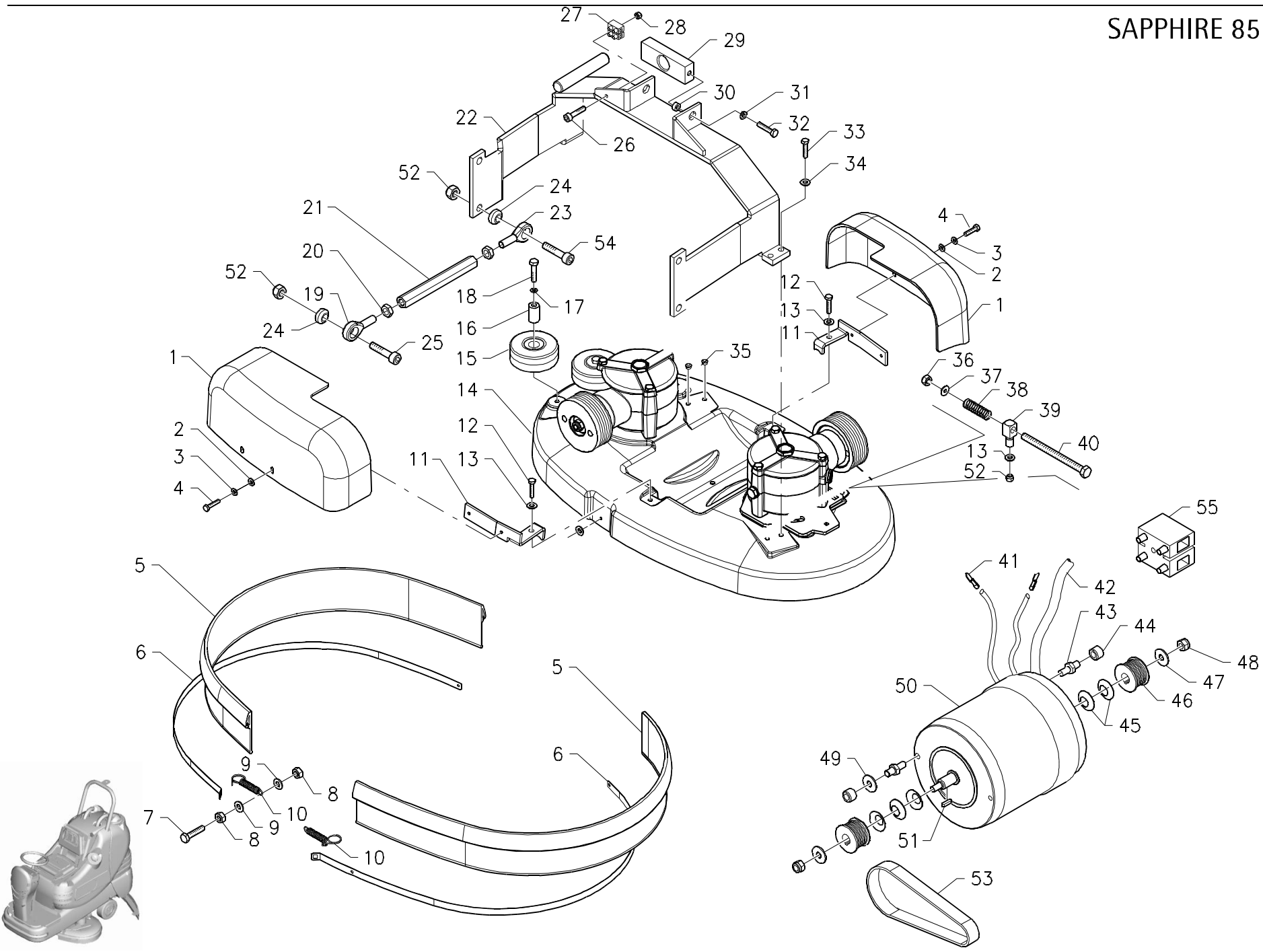


**GRUPPO BASAMENTO SAPPHIRE 65**

BRUSHES BASE ASSEMBLY • GROUPE D'EMBASE DES BROSSES • GRUPPE BÜRSTENGEHÄUSE • GRUPO BANCADA DE LOS CEPILLOS

01A

| Pos. | S/N | Codice   | Q.tà | Denominazione                   | Description             | Description                | Benennung               | Descripción                  |
|------|-----|----------|------|---------------------------------|-------------------------|----------------------------|-------------------------|------------------------------|
| 44   |     | 47103030 | 2    | BOCCOLA                         | BUSHING                 | BAGUE                      | BUCHSE                  | CASQUILLO                    |
| 45   |     | 47251801 | 5    | MOLLA A TAZZA 18,3x35,5x1,25    | CUPPED WASHER           | RONDELLE CONCAVE           | TELLERFEDER             | ARANDELA CÓNCAVA             |
| 46   |     | 46920090 | 2    | PULEGGIA MOTORE Ø 45            | MOTOR PULLEY            | POULIE DE MOTEUR           | RIEMENSCHLEIBE MOTOR    | POLEA DE MOTOR               |
| 47   |     | 60311001 |      | ROSETTA 11x30x2,5 UNI 6593      | WASHER                  | RONDELLE                   | UNTERLAGSCHEIBE         | ARANDELA                     |
| 48   |     | 60221002 |      | DADO M10 H10 AUTOBL. UNI 7474   | LOCK NUT                | ECROU AUTOBLOQUANT         | STOPMUTTER              | TUERCA AUTOBLOQUEANTE        |
| 49   |     | 60312001 |      | RONDELLA M12x1,5 METALLO USIT-U | WASHER                  | RONDELLE                   | UNTERLAGSCHEIBE         | ARANDELA                     |
| 50   |     | 46230010 | 1    | MOTORE 36V-900W 1800G           | MOTOR                   | MOTEUR                     | MOTOR                   | MOTOR                        |
| 51   |     | 60905051 | 2    | LINGUETTA MM.5x5x20 UNIM92      | KEY                     | CLAVETTE                   | KEIL                    | CLAVIJA                      |
| 52   |     | 48603020 | 1    | PARASPRUZZI SINISTRO            | SPLASH GUARD LEFT       | BAVETTE DE PROTECT. GAUCHE | SPRITZGUMMI LINKS       | PARASALPICADURAS IZQUIERDO   |
| 53   |     | 20302200 |      | LISTELLO PARASPRUZZI SINISTRO   | BLADE SPLASH GUARD LEFT | LAME BAVETTE GAUCHE        | SPRITZGUMMILEISTE LINKS | LISTÓN PARASALPICADURAS IZQ. |
| 54   |     | 60221201 |      | DADO M12 H12 AUTOBL. UNI 7474   | LOCK NUT                | ECROU AUTOBLOQUANT         | STOPMUTTER              | TUERCA AUTOBLOQUEANTE        |
| 55   |     | 61610005 | 2    | CINGHIA                         | BELT                    | COURROIE                   | RIEMEN                  | CORREA                       |
| 56   |     | 49400010 | 1    | MORSETTIERA 16x2                | TERMINAL BOARD          | BARRETTE DE CONNEXION      | KLEMMBRETT              | CAJA DE BORNES               |





## GRUPPO BASAMENTO SAPPHIRE 85

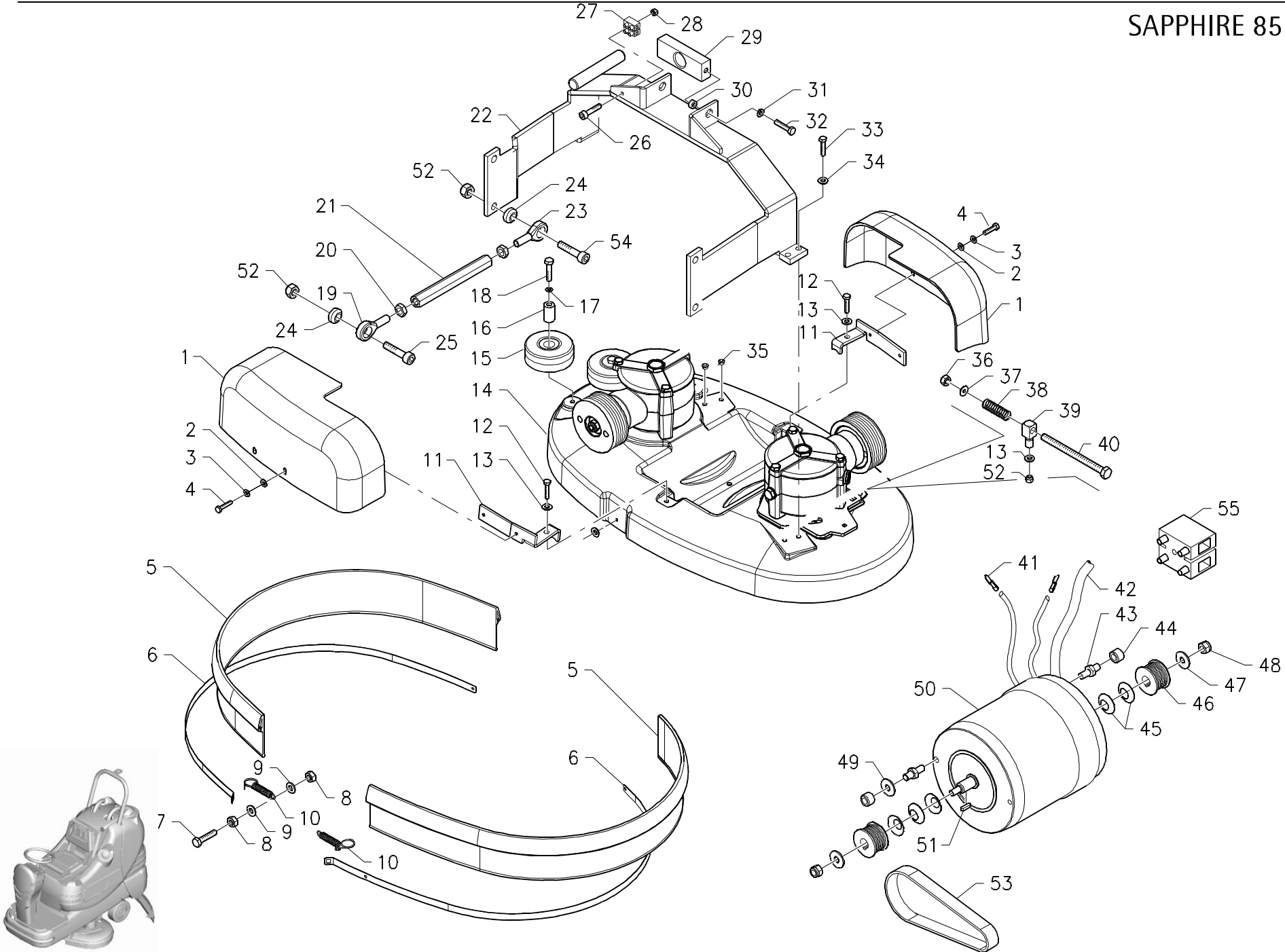
BRUSHES BASE ASSEMBLY • GROUPE D'EMBASE DES BROSSES • GRUPPE BÜRSTENGEHÄUSE • GRUPO BANCADA DE LOS CEPILLOS

01B

| Pos. | S/N | Codice   | Q.tà | Denominazione                       | Description                | Description                  | Benennung                  | Descripción                  |
|------|-----|----------|------|-------------------------------------|----------------------------|------------------------------|----------------------------|------------------------------|
| 1    |     | 20302140 | 2    | CARTER CINGHIA                      | BELT COVER                 | CARTER DE COURROIE           | RIEMENABDECKUNG            | CÁRTER DE CORREA             |
| 2    |     | 60305005 |      | RONDELLA 5x20x1,5                   | WASHER                     | RONDELLE                     | UNTERLAGSCHEIBE            | ARANDELA                     |
| 3    |     | 60505001 |      | RONDELLA DENT. Ø 5 DIN 6798/A       | LOCK WASHER                | RONDELLE FREIN               | ZAHNSCHEIBE                | ARANDELA DENTADA             |
| 4    |     | 60110502 |      | VITE M5x12 TE UNI 5739 DIN 933      | SCREW                      | VIS                          | SCHRAUBE                   | TORNILLO                     |
| 5    |     | 48603010 | 2    | PARASPRUZZI                         | SPLASH GUARD RIGHT         | BAVETTE DE PROTECTION DROITE | SPRITZGUMMI RECHTS         | PARASALPICADURAS DERECHO     |
| 6    |     | 20302190 | 2    | LISTELLO PARASPRUZZI                | BLADE SPLASH GUARD RIGHT   | LAME BAVETTE DROITE          | SPRITZGUMMILEISTE RECHTS   | LISTÓN PARASALPICADURAS DER. |
| 7    |     | 60110406 |      | VITE M4x20 TE UNI 5739 DIN 933 INOX | SCREW INOX                 | VIS INOX                     | SCHRAUBE INOX              | TORNILLO INOX                |
| 8    |     | 60220401 |      | DADO M4 H6 AUTOBL. UNI 7473         | LOCK NUT                   | ECROU AUTOBLOQUANT           | STOPMUTTER                 | TUERCA AUTOBLOQUEANTE        |
| 9    |     | 60305001 |      | ROSETTA 5x10x1 UNI 6592             | WASHER                     | RONDELLE                     | UNTERLAGSCHEIBE            | ARANDELA                     |
| 10   |     | 47220010 |      | MOLLA AGGANCIO LISTELLO             | COUPLING SPRING BLADE      | RESSORT D'ACCROCHAGE         | ARRETIERUNGSFEDER LEISTE   | RESORTE ENGANCHE             |
| 11   |     | 20302150 | 2    | STAFFA CARTER                       | COVER SUPPORT              | ATTAQUE DE CARTER            | HALTERUNG ABDECKUNG        | SOPORTE DE CÁRTER            |
| 12   |     | 60110807 |      | VITE M8x20 TE UNI 5739 DIN 933      | SCREW                      | VIS                          | SCHRAUBE                   | TORNILLO                     |
| 13   |     | 60512004 |      | RONDELLA 12 GROWER ASA B27          | LOCK WASHER                | RONDELLE FREIN               | ZAHNSCHEIBE                | ARANDELA DENTADA             |
| 14   |     | 48503050 | 1    | BASAMENTO SPAZZOLE                  | BRUSHES BASE               | EMBASE DES BROSSES           | BÜRSTENGEHÄUSE             | BANCADA DE LOS CEPILLOS      |
| 15   |     | 46541010 | 2    | RUOTA PARACOLPI Ø 80x30 GRIGIA      | BUMPER WHEEL               | ROUE DE BUTEE                | ABWEISROLLE                | RUEDA PARACHOQUES            |
| 16   |     | 47101040 | 2    | BOCCOLA                             | BUSHING                    | BAGUE                        | BUCHSE                     | CASQUILLO                    |
| 17   |     | 60308009 |      | ROSETTA 8x32x2,5 UNI 6593           | WASHER                     | RONDELLE                     | UNTERLAGSCHEIBE            | ARANDELA                     |
| 18   |     | 60110823 |      | VITE M8x45 TE UNI 5739 DIN 933      | SCREW                      | VIS                          | SCHRAUBE                   | TORNILLO                     |
| 19   |     | 61451202 | 4    | TESTA SNODO AUTOL. M12 FILETTO SN   | ARTICULATION HEAD          | TETE ARTICULEE               | KOPFGELENK                 | TESTA DE ARTICULACIÓN        |
| 20   |     | 60211201 |      | DADO M12 H7 UNI 5589 DIN936         | NUT                        | ECROU                        | MUTTER                     | TUERCA                       |
| 21   |     | 20603040 | 4    | BRACCIO COM. BASAMENTO              | ARM BRUSHES BASE           | BRAS COMMANDE DE BROSSES     | ARM BÜRSTENBETÄTIGUNG      | BRAZO MANDO BANCADA CEP.     |
| 22   |     | 20603020 | 1    | ATTACCO BRACCI BASAMENTO            | SUPPORT ARMS BRUSHES BASE  | SUPPORT BRAS COMM. BROSSES   | HALTERUNG ARME BÜRSTENBET. | SOPORTE BRAZOS MANDO BANC.   |
| 23   |     | 61451201 | 1    | TESTA SNODO AUTOL. M12 FILETTO DX   | ARTICULATION HEAD          | TETE ARTICULEE               | KOPFGELENK                 | TESTA DE ARTICULACIÓN        |
| 24   |     | 47006010 | 6    | DISTANZIALE                         | SPACER                     | ENTRETOISE                   | DISTANZHÜLSE               | DISTANCIADOR                 |
| 25   |     | 60131209 |      | VITE M12x50 TCEI UNI 5931           | SCREW                      | VIS                          | SCHRAUBE                   | TORNILLO                     |
| 26   |     | 60130608 |      | VITE M6x35 TCEI UNI 5931            | SCREW                      | VIS                          | SCHRAUBE                   | TORNILLO                     |
| 27   |     | 49400020 | 1    | MORSETTIERA 25x2                    | TERMINAL BOARD             | BARRETTE DE CONNEXION        | KLEMMBRETT                 | CAJA DE BORNES               |
| 28   |     | 60220601 |      | DADO M6 H6 AUTOBL. UNI 7474         | LOCK NUT                   | ECROU AUTOBLOQUANT           | STOPMUTTER                 | TUERCA AUTOBLOQUEANTE        |
| 29   |     | 20603050 | 1    | SNODO COM. BASAMENTO                | JOINT BRUSHES BASE CONTROL | JOINT COMMANDE DE BROSSES    | GELENK BÜRSTENBETÄTIGUNG   | ARTICULACIÓN MANDO BANCADA   |
| 30   |     | 47103080 | 2    | BOCCOLA                             | BUSHING                    | BAGUE                        | BUCHSE                     | CASQUILLO                    |
| 31   |     | 60508005 |      | RONDELLA SCHNORR Ø 8x TIPO S        | WASHER                     | RONDELLE                     | UNTERLAGSCHEIBE            | ARANDELA                     |
| 32   |     | 60110807 |      | VITE M8x20 TE UNI 5739              | SCREW                      | VIS                          | SCHRAUBE                   | TORNILLO                     |
| 33   |     | 60110809 |      | VITE M8x25 TE UNI 5739              | SCREW                      | VIS                          | SCHRAUBE                   | TORNILLO                     |
| 34   |     | 60508001 |      | RONDELLA 8 GROWER ASA B27           | LOCK WASHER                | RONDELLE FREIN               | ZAHNSCHEIBE                | ARANDELA DENTADA             |
| 35   |     | 62030002 | 2    | TAPPO SALVAFILETTO TSF/7            | CAP                        | CAPUCHON                     | STÖPSEL                    | TAPÓN                        |
| 36   |     | 60221003 |      | DADO M10 H12 AUTOBL. UNI 7473       | LOCK NUT                   | ECROU AUTOBLOQUANT           | STOPMUTTER                 | TUERCA AUTOBLOQUEANTE        |
| 37   |     | 60310002 |      | ROSETTA 10x21x2 UNI 6592            | WASHER                     | RONDELLE                     | UNTERLAGSCHEIBE            | ARANDELA                     |
| 38   |     | 47210140 | 1    | MOLLA COMPR. 17x3,5x46              | COMPRESSION SPRING         | RESSORT DE COMPRESSION       | DRUCKFEDER                 | RESORTE DE COMPRESIÓN        |
| 39   |     | 20301160 | 1    | COLONNETTA M12                      | STUD BOLT                  | COLONNETTE                   | SCHRAUBBOLZEN              | PRISIONERO                   |
| 40   |     | 60111035 |      | VITE M10x120 TE UNI 5739            | SCREW                      | VIS                          | SCHRAUBE                   | TORNILLO                     |
| 41   |     | 62511003 | 2    | TERMINALE 10MMQ-P12 ROSSO           | TERMINAL                   | BORNE                        | KABELSCHUH                 | TERMINAL                     |

|    |          |   |               |           |               |              |                |
|----|----------|---|---------------|-----------|---------------|--------------|----------------|
| 42 | 47807080 | 1 | GUAINA 14x315 | SHEATH    | GAINÉ         | SCHUTZMANTEL | VAINA          |
| 43 | 20302080 | 2 | PERNO MOTORE  | MOTOR PIN | AXE DE MOTEUR | MOTORBOLZEN  | PERNO DE MOTOR |





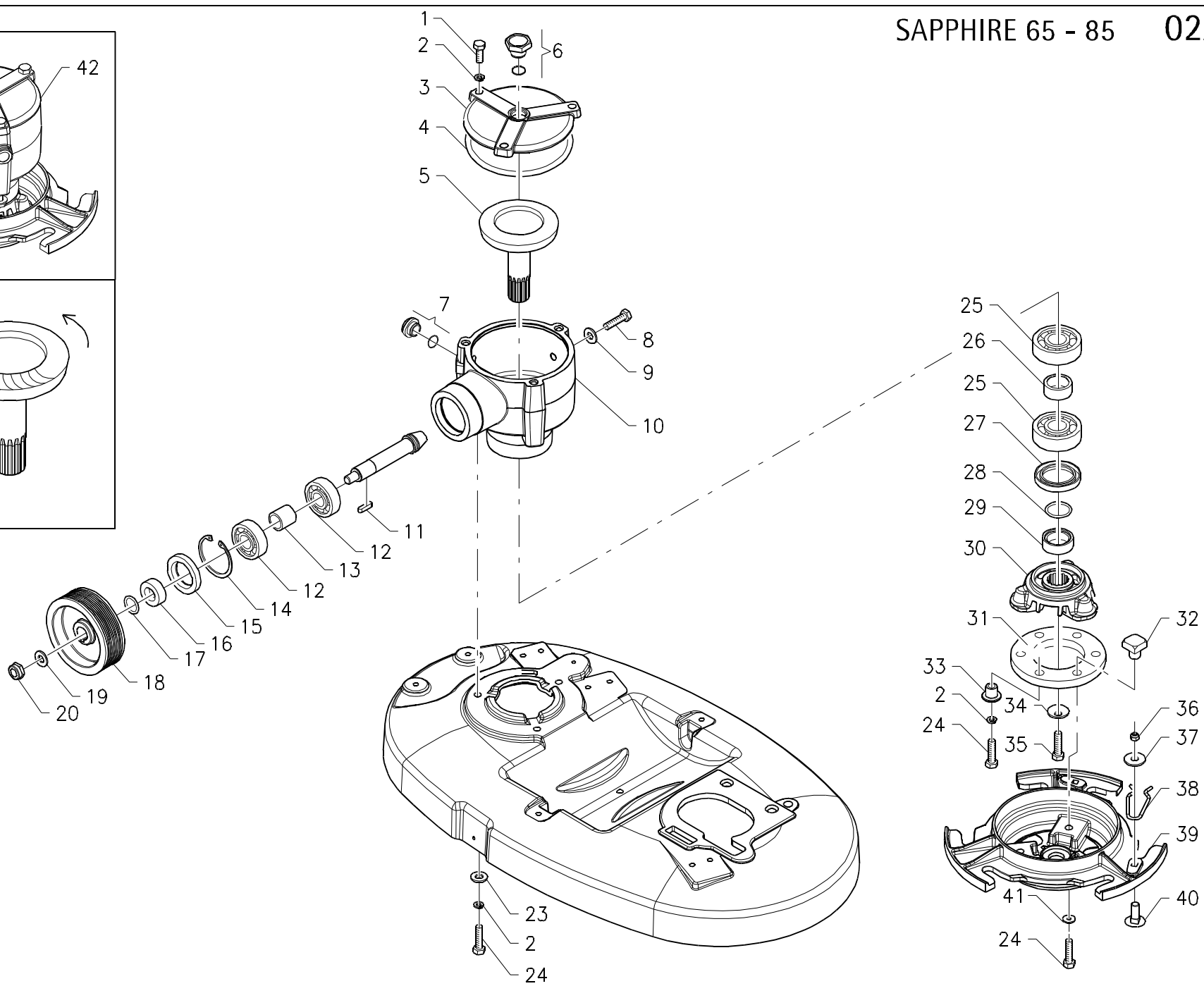
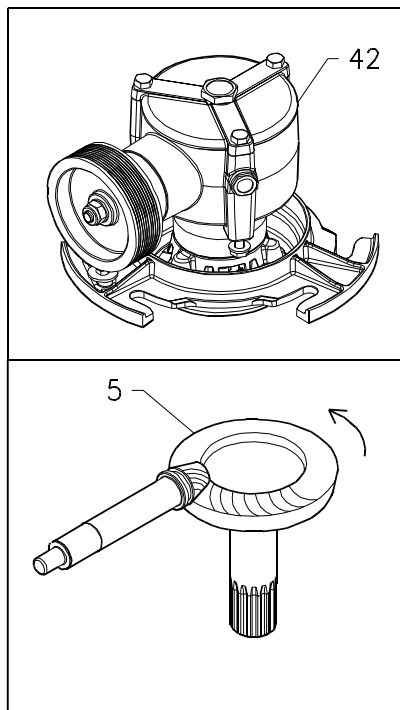
**GRUPPO BASAMENTO SAPPHIRE 85**

BRUSHES BASE ASSEMBLY • GROUPE D'EMBASE DES BROSSES • GRUPPE BÜRSTENGEHÄUSE • GRUPO BANCADA DE LOS CEPILLOS

**01B**

| Pos. | S/N | Codice   | Q.tà | Denominazione                   | Description    | Description           | Benennung            | Descripción           |
|------|-----|----------|------|---------------------------------|----------------|-----------------------|----------------------|-----------------------|
| 44   |     | 47103030 | 2    | BOCCOLA                         | BUSHING        | BAGUE                 | BUCHSE               | CASQUILLO             |
| 45   |     | 47251801 | 5    | MOLLA A TAZZA 18,3x35,5x1,25    | CUPPED WASHER  | RONDELLE CONCAVE      | TELLERFEDER          | ARANDELA DENTADA      |
| 46   |     | 46920090 | 2    | PULEGGIA MOTORE Ø 45            | MOTOR PULLEY   | POULIE DE MOTEUR      | RIEMENSCHLEIBE MOTOR | POLEA DE MOTOR        |
| 47   |     | 60311001 |      | ROSETTA 11x30x2,5 UNI 6593      | WASHER         | RONDELLE              | UNTERLAGSCHEIBE      | ARANDELA              |
| 48   |     | 60221002 |      | DADO M10 H10 AUTOBL. UNI 7474   | LOCK NUT       | ECROU AUTOBLOQUANT    | STOPMUTTER           | TUERCA AUTOBLOQUEANTE |
| 49   |     | 60312001 |      | RONDELLA M12x1,5 METALLO USIT-U | WASHER         | RONDELLE              | UNTERLAGSCHEIBE      | ARANDELA              |
| 50   |     | 46230050 | 1    | MOTORE 36V-900W 1800G 1125 W    | MOTOR          | MOTEUR                | MOTOR                | MOTOR                 |
| 51   |     | 60905051 | 2    | LINGUETTA MM 5x5x20 UNIM92      | KEY            | CLAVETTE              | KEIL                 | CLAVIJA               |
| 52   |     | 60221201 |      | DADO M12 H12 AUTOBL. UNI 7474   | LOCK NUT       | ECROU AUTOBLOQUANT    | STOPMUTTER           | TUERCA AUTOBLOQUEANTE |
| 53   |     | 61610006 | 2    | CINGHIA                         | BELT           | COURROIE              | RIEMEN               | CORREA                |
| 54   |     | 60131206 |      | VITE M12X35 DIN 912             | SCREW          | VIS                   | SCHRAUBE             | TORNILLO              |
| 55   |     | 49400010 | 1    | MORSETTIERA 16x2                | TERMINAL BOARD | BARRETTE DE CONNEXION | KLEMMBRETT           | CAJA DE BORNES        |





## GRUPPO RIDUTTORE DESTRO

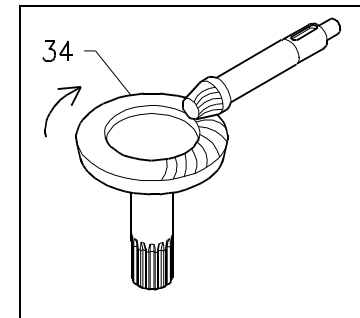
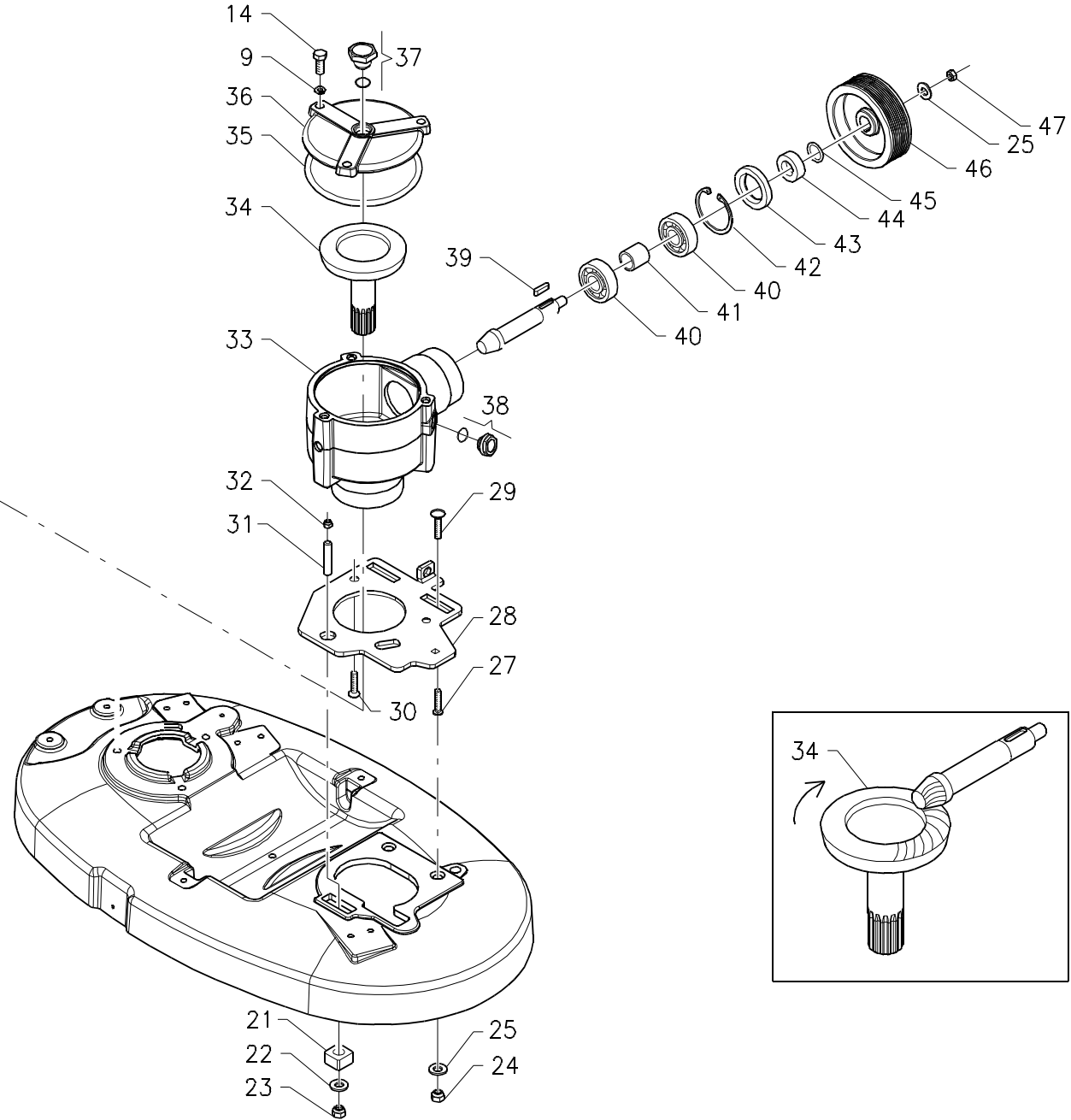
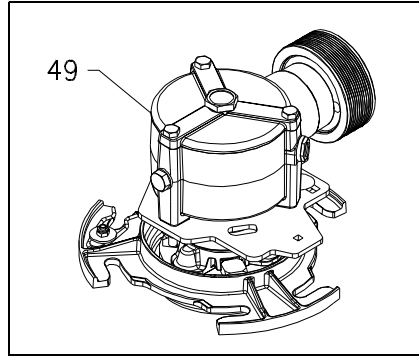
REDUCTION GEAR ASSEMBLY RIGHT • GROUPE REDUCTEUR DROITE • GETRIEBEGRUPPE RECHTS • GRUPO REDUCTOR DERECHO

02A

| Pos. | S/N | Codice   | Q.tà | Denominazione                      | Description              | Description                 | Benennung                 | Descripción                |
|------|-----|----------|------|------------------------------------|--------------------------|-----------------------------|---------------------------|----------------------------|
| 1    |     | 60110809 |      | VITE M8x25 TE UNI 5739             | SCREW                    | VIS                         | SCHRAUBE                  | TORNILLO                   |
| 2    |     | 60508001 |      | RONDELLA 8 GROWER DIN 127 B        | LOCK WASHER              | RONDELLE FREIN              | ZAHNSCHEIBE               | ARANDELA DENTADA           |
| 3    |     | 20302020 | 1    | COPERCHIO SCATOLA RIDUTTORE        | COVER REDUCTION GEAR BOX | COUVERCLE BOITIER REDUCTEUR | DECKEL GETRIEBEGEHÄUSE    | TAPA DE CAJA REDUCTOR      |
| 4    |     | 61310701 | 1    | O-RING 2425                        | O-RING                   | JOINT OR                    | O-RING                    | JUNTA ANULAR               |
| 5    |     | 46850060 | 1    | COPPIA CONICA R=11/56 DESTRA       | BEVEL GEAR PAIR RIGHT    | PAIR CONIQUE DROITE         | KEGELRADPAARUNG, RECHTS   | PAR RUEDAS CONICAS DERECHO |
| 6    |     | 62350003 | 1    | TAPPO MB 18 CON SFIATO             | CAP WITH BREATHER        | BOUCHON AVEC SOUPIRAIL      | DECKEL MIT ENTLÜFTER      | TAPÓN CON RESPIRADERO      |
| 7    |     | 62350004 | 1    | TAPPO SPIA OLIO 3/8" M             | OIL LEVEL PLUG           | BOUCHON DE NIVEAU D'HUILE   | STANDSCHRAUBE ÖL          | TAPÓN NIVEL DE ACEITE      |
| 8    |     | 60111003 |      | VITE M10x20 TE UNI 5739            | SCREW                    | VIS                         | SCHRAUBE                  | TORNILLO                   |
| 9    |     | 60310001 |      | ROSETTA 10x16x1,5 ALL.             | WASHER ALUMINIUM         | RONDELLE D'ALUMINIUM        | UNTERLAGSCHEIBE ALU       | ARANDELA ALUMINIO          |
| 10   |     | 20302010 | 1    | SCATOLA RIDUTTORE                  | REDUCTION GEAR BOX       | BOITIER REDUCTEUR           | GETRIEBEGEHÄUSE           | CAJA REDUCTOR              |
| 11   |     | 60905041 | 1    | CHIAVETTA MM5x4,5x20               | KEY                      | CLAVETTE                    | KEIL                      | CLAVIJA                    |
| 12   |     | 61411702 | 2    | CUSCINETTO SF 6303                 | BEARING                  | ROULEMENT                   | LAGER                     | COJINETE                   |
| 13   |     | 47003030 | 1    | DISTANZIALE                        | SPACER                   | ENTRETOISE                  | DISTANZHÜLSE              | DISTANCIADOR               |
| 14   |     | 61114701 | 1    | SEGGER I 47                        | SEEGER RING              | SERRE CLIPS                 | SEEGERRING                | ANILLO SEEGER              |
| 15   |     | 61230471 | 1    | PARAOLIO Ø 30x47x7                 | OIL SEAL                 | JOINT PALAUSTRA             | SIMMERING                 | ARO RASCADOR DE ACEITE     |
| 16   |     | 47003040 | 1    | DISTANZIALE CROMATO                | SPACER CHROMATED         | ENTRETOISE CHROME           | DISTANZHÜLSE VERCHROMT    | DISTANCIADOR CROMADO       |
| 17   |     | 61301701 | 1    | O-RING 3068                        | O-RING                   | JOINT OR                    | O-RING                    | JUNTA ANULAR               |
| 18   |     | 46920100 | 1    | PULEGGIA COND. Ø 95 SAPPHIRE 65    | DRIVEN PULLEY            | POULIE MENE                 | GETRIEBENE RIEMENSCHLEIBE | POLEA DE CONDUCTA          |
|      |     | 46920110 |      | PULEGGIA COND. Ø 100 SAPPHIRE 85   | DRIVEN PULLEY            | POULIE MENE                 | GETRIEBENE RIEMENSCHLEIBE | POLEA DE CONDUCTA          |
| 19   |     | 60311001 |      | ROSETTA 11x30x2,5                  | WASHER                   | RONDELLE                    | UNTERLAGSCHEIBE           | ARANDELA                   |
| 20   |     | 60221002 |      | DADO M10 AUTOBL. UNI 7474          | LOCK NUT                 | ECROU AUTOBLOQUANT          | STOPMUTTER                | TUERCA AUTOBLOQUEANTE      |
| 23   |     | 60309002 |      | ROSETTA 9x24x2 UNI 6593            | WASHER                   | RONDELLE                    | UNTERLAGSCHEIBE           | ARANDELA                   |
| 24   |     | 60110809 |      | VITE M8x25 TE UNI 5739             | SCREW                    | VIS                         | SCHRAUBE                  | TORNILLO                   |
| 25   |     | 61412501 | 2    | CUSCINETTO SF 6205                 | BEARING                  | ROULEMENT                   | LAGER                     | COJINETE                   |
| 26   |     | 47003020 | 1    | DISTANZIALE                        | SPACER                   | ENTRETOISE                  | DISTANZHÜLSE              | DISTANCIADOR               |
| 27   |     | 61235521 | 1    | PARAOLIO 35x52x7                   | OIL SEAL                 | JOINT PALAUSTRA             | SIMMERING                 | ARO RASCADOR DE ACEITE     |
| 28   |     | 61302501 | 1    | O-RING 3100                        | O-RING                   | JOINT OR                    | O-RING                    | JUNTA ANULAR               |
| 29   |     | 47003010 | 1    | DISTANZIALE CROMATO                | SPACER CHROMATED         | ENTRETOISE CHROME           | DISTANZHÜLSE VERCHROMT    | DISTANCIADOR CROMADO       |
| 30   |     | 20302030 | 1    | FLANGIA RIDUTTORE                  | FLANGE REDUCTION GEAR    | FLASQUE DE REDUCTEUR        | GETRIEBEFLANSCH           | BRIDA REDUCTOR             |
| 31   |     | 20302050 | 1    | GIUNTO ELASTICO                    | FLEXIBLE COUPLING        | ENTRAINEMENT ELASTIQUE      | GUMMIKUPPLUNG             | ACOPLAMIENTO ELÁSTICO      |
| 32   |     | 47103010 | 1    | BOCCOLA                            | BUSHING                  | BAGUE                       | BUCHSE                    | CASQUILLO                  |
| 33   |     | 47103020 | 1    | BOCCOLA                            | BUSHING                  | BAGUE                       | BUCHSE                    | CASQUILLO                  |
| 34   |     | 60510005 |      | RONDELLA CON. Ø10,5x30x1,2 DENT.I. | CONICAL WASHER           | RONDELLE CONIQUE            | KONISCHE UNTERLAGSCHEIBE  | ARANDELA CÓNICA            |
| 35   |     | 60131004 |      | VITE M0x20 TCEI UNI 5931           | SCREW                    | VIS                         | SCHRAUBE                  | TORNILLO                   |
| 36   |     | 60220601 |      | DADO M6 AUTOBL. UNI 7474           | LOCK NUT                 | ECROU AUTOBLOQUANT          | STOPMUTTER                | TUERCA AUTOBLOQUEANTE      |
| 37   |     | 60306010 |      | ROSETTA 6x24x2 UNI 6593            | WASHER                   | RONDELLE                    | UNTERLAGSCHEIBE           | ARANDELA                   |
| 38   |     | 47230050 | 1    | MOLLA BLOCCAGGIO SPAZZOLA          | BLOCKING SPRING BRUSH    | RESSORT DE BLOCAGE BROSSE   | BLOCKIERUNGSFEDER BÜRSTE  | RESORTE DE BLOQUEO CEPILLO |
| 39   |     | 20302040 | 1    | PIATTO PORTASPAZZOLA               | PLATE BRUSHHOLDER        | PLATEAU PORTE-BROSSE        | BÜRSTENTRÄGER             | PLATO PORTACEPILLO         |
| 40   |     | 60100601 |      | VITE M6x16 TTQST UNI 5732          | SCREW                    | VIS                         | SCHRAUBE                  | TORNILLO                   |
| 41   |     | 60508004 |      | RONDELLA CON. Ø8,5x22x1,2 DENT.I.  | CONICAL WASHER           | RONDELLE CONIQUE            | KONISCHE UNTERLAGSCHEIBE  | ARANDELA CÓNICA            |
| 42   |     | V6603001 |      | RIDUTTORE DESTRO                   | REDUCTION GEAR RIGHT     | REDUCTEUR DROITE            | GETRIEBE RECHTS           | REDUCTOR DERECHO           |







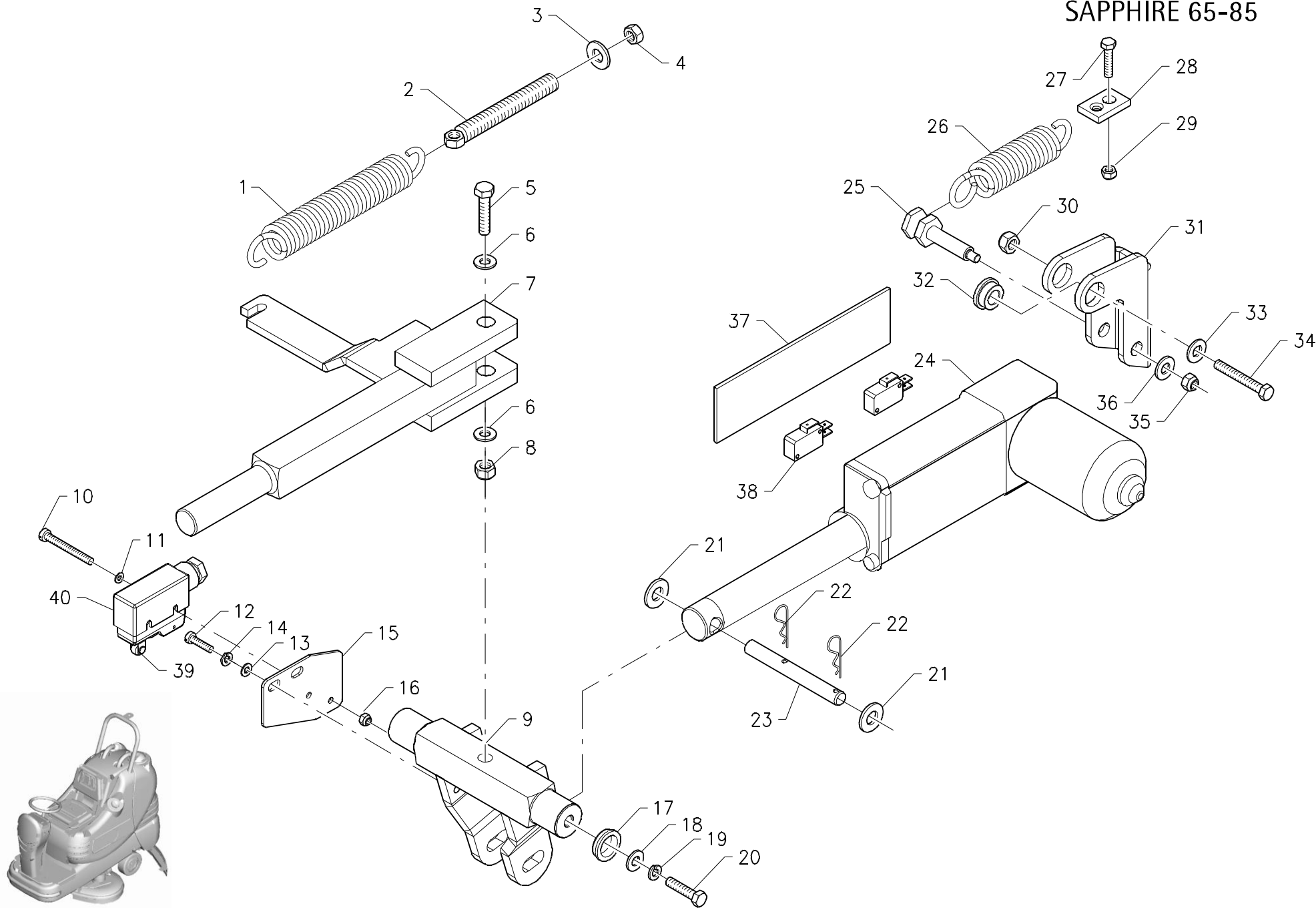
## GRUPPO RIDUTTORE SINISTRO

REDUCTION GEAR ASSEMBLY LEFT • GROUPE REDUCTEUR GAUCHE • GETRIEBEGRUPPE LINKS • GRUPO REDUCTOR IZQUIERDO

02B

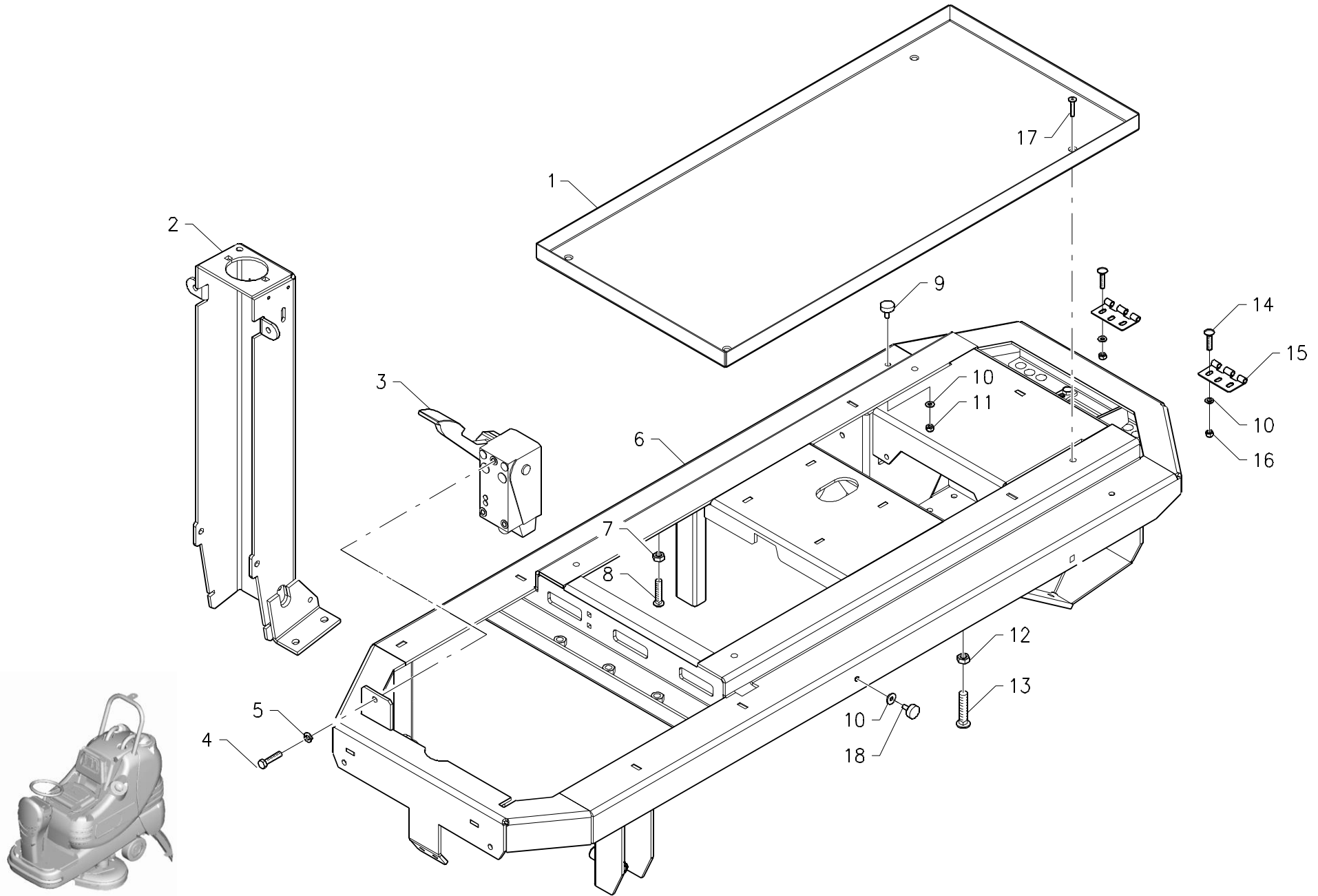
| Pos. | S/N | Codice   | Q.tà | Denominazione                       | Description              | Description                 | Benennung                       | Descripción                  |
|------|-----|----------|------|-------------------------------------|--------------------------|-----------------------------|---------------------------------|------------------------------|
| 1    |     | 61412501 | 2    | CUSCINETTO SF 6205                  | BEARING                  | ROULEMENT                   | LAGER                           | COJINETE                     |
| 2    |     | 47003020 | 1    | DISTANZIALE                         | SPACER                   | ENTRETOISE                  | DISTANZHÜLSE                    | DISTANCIADOR                 |
| 3    |     | 61235521 | 1    | PARAOLIO 35x52x7                    | OIL SEAL                 | JOINT PALAUSTRA             | SIMMERING                       | ARO RASCADOR DE ACEITE       |
| 4    |     | 61302501 | 1    | O-RING 3100                         | O-RING                   | JOINT OR                    | O-RING                          | JUNTA ANULAR                 |
| 5    |     | 47003010 | 1    | DISTANZIALE                         | SPACER                   | ENTRETOISE                  | DISTANZHÜLSE                    | DISTANCIADOR                 |
| 6    |     | 20302030 | 1    | FLANGIA RIDUTTORE                   | FLANGE REDUCTION GEAR    | FLASQUE DE REDUCTEUR        | GETRIEBEFLANSCH                 | BRIDA REDUCTOR               |
| 7    |     | 20302050 | 1    | GIUNTO ELASTICO                     | FLEXIBLE COUPLING        | ENTRAINEMENT ELASTIQUE      | GUMMIKUPPLUNG                   | ACOPLAMIENTO ELÁSTICO        |
| 8    |     | 47103020 | 1    | BOCCOLA                             | BUSHING                  | BAGUE                       | BUCHSE                          | CASQUILLO                    |
| 9    |     | 60508001 |      | RONDELLA 8 GROWER DIN 127 B         | LOCK WASHER              | RONDELLE FREIN              | ZAHNSCHEIBE                     | ARANDELA DENTADA             |
| 10   |     | 60110809 |      | VITE M8x25 TE UNI 5739              | SCREW                    | VIS                         | SCHRAUBE                        | TORNILLO                     |
| 11   |     | 60510005 |      | RONDELLA CON. Ø10,5x30x1,2 DENT.I.  | CONICAL WASHER           | RONDELLE CONIQUE            | KONISCHE UNTERLAGSCHEIBE        | ARANDELA CÓNICA              |
| 12   |     | 60131004 |      | VITE M0x20 TCEI UNI 5931            | SCREW                    | VIS                         | SCHRAUBE                        | TORNILLO                     |
| 13   |     | 60508004 |      | RONDELLA CON. Ø8,5x22x1,2 DENT.INT. | CONICAL WASHER           | RONDELLE CONIQUE            | KONISCHE UNTERLAGSCHEIBE        | ARANDELA CÓNICA              |
| 14   |     | 60110809 |      | VITE M8x25 TE UNI 5739              | SCREW                    | VIS                         | SCHRAUBE                        | TORNILLO                     |
| 15   |     | 47103010 | 1    | BOCCOLA                             | BUSHING                  | BAGUE                       | BUCHSE                          | CASQUILLO                    |
| 16   |     | 60220601 |      | DADO M6 AUTOBL. UNI 7474            | LOCK NUT                 | ECROU AUTOBLOQUANT          | STOPMUTTER                      | TUERCA AUTOBLOQUEANTE        |
| 17   |     | 60306010 |      | ROSETTA 6x24x2 UNI 6593             | WASHER                   | RONDELLE                    | UNTERLAGSCHEIBE                 | ARANDELA                     |
| 18   |     | 47230050 | 1    | MOLLA BLOCCAGGIO SPAZZOLA           | BLOCKING SPRING BRUSH    | RESSORT DE BLOCAGE BROUSSE  | BLOCKIERUNGSFEDER BÜRSTE        | RESORTE DE BLOQUEO CEPILLO   |
| 19   |     | 20302040 | 1    | PIATTO PORTASPAZZOLA                | PLATE BRUSHHOLDER        | PLATEAU PORTE-BROSSE        | BÜRSTENTRÄGER                   | PLATO PORTACEPILLO           |
| 20   |     | 60100601 |      | VITE M6x16 TTQST UNI 5732           | SCREW                    | VIS                         | SCHRAUBE                        | TORNILLO                     |
| 21   |     | 47103040 | 1    | BOCCOLA                             | BUSHING                  | BAGUE                       | BUCHSE                          | CASQUILLO                    |
| 22   |     | 60308009 |      | ROSETTA 8x32x2,5 UNI 6593           | WASHER                   | RONDELLE                    | UNTERLAGSCHEIBE                 | ARANDELA                     |
| 23   |     | 60220801 |      | DADO M8 AUTOBL. UNI 7474            | LOCK NUT                 | ECROU AUTOBLOQUANT          | STOPMUTTER                      | TUERCA AUTOBLOQUEANTE        |
| 24   |     | 60221002 |      | DADO M10 AUTOBL. UNI 7474           | LOCK NUT                 | ECROU AUTOBLOQUANT          | STOPMUTTER                      | TUERCA AUTOBLOQUEANTE        |
| 25   |     | 60311001 |      | ROSETTA 11x30x2,5 UNI 6593          | WASHER                   | RONDELLE                    | UNTERLAGSCHEIBE                 | ARANDELA                     |
| 27   |     | 60100601 |      | VITE M6x16 TTQST UNI 5732           | SCREW                    | VIS                         | SCHRAUBE                        | TORNILLO                     |
| 28   |     | 20302170 |      | PIASTRA RIDUTTORE                   | PLAQUE REDUCTION GEAR    | PLAQUE DE REDUCTEUR         | BEFESTIGUNGSAUFLAGE<br>GETRIEBE | PLACA REDUCTOR               |
| 29   |     | 60101004 |      | VITE M10x30 TTQST UNI 5732          | SCREW                    | VIS                         | SCHRAUBE                        | TORNILLO                     |
| 30   |     | 60180802 |      | VITE M8x18 TPSEI UNI 5933           | SCREW                    | VIS                         | SCHRAUBE                        | TORNILLO                     |
| 31   |     | 60160803 |      | GRANO M8x40 UNI 5923                | DOWEL                    | VIS CYLINDRIQUE             | MADENSCHRAUBE                   | TORNILLO PRISIONERO          |
| 32   |     | 60210805 |      | DADO M8 UNI 5589                    | NUT                      | ECROU                       | MUTTER                          | TUERCA                       |
| 33   |     | 20302010 | 1    | SCATOLA RIDUTTORE                   | REDUCTION GEAR BOX       | BOITIER REDUCTEUR           | GETRIEBEGEHÄUSE                 | CAJA REDUCTOR                |
| 34   |     | 46850090 | 1    | COPPIA CONICA R=11/56 SIN.          | BEVEL GEAR PAIR LEFT     | PAIR CONIQUE GAUCHE         | KEGELRADPAARUNG, LINKS          | PAR RUEDAS CONICAS IZQUIERDO |
| 35   |     | 61310701 |      | O-RING 2425                         | O-RING                   | JOINT OR                    | O-RING                          | JUNTA ANULAR                 |
| 36   |     | 20302020 |      | COPERCHIO SCATOLA RIDUTTORE         | COVER REDUCTION GEAR BOX | COUVERCLE BOITIER REDUCTEUR | DECKEL GETRIEBEGEHÄUSE          | TAPA DE CAJA REDUCTOR        |
| 37   |     | 62350003 | 1    | TAPPO MB 18 CON SFIATO              | CAP WITH BREATHER        | BOUCHON AVEC SOUPIRAIL      | DECKEL MIT ENTLÜFTER            | TAPÓN CON RESPIADERO         |
| 38   |     | 62350004 | 1    | TAPPO SPIA OLIO 3/8" M              | OIL LEVEL PLUG           | BOUCHON DE NIVEAU D'HUILE   | STANDSCHRAUBE ÖL                | TAPÓN NIVEL DE ACEITE        |
| 39   |     | 60905041 | 1    | CHIAVETTA 5x4,5x20 UNIM92           | KEY                      | CLAVETTE                    | KEIL                            | CLAVIJA                      |
| 40   |     | 61411702 | 2    | CUSCINETTO SF 6303                  | BEARING                  | ROULEMENT                   | LAGER                           | COJINETE                     |
| 41   |     | 47003030 | 1    | DISTANZIALE                         | SPACER                   | ENTRETOISE                  | DISTANZHÜLSE                    | DISTANCIADOR                 |
| 42   |     | 61114701 |      | SEGGER I 47                         | SEEGER RING              | SERRE CLIPS                 | SEEGERRING                      | ANILLO SEEGER                |
| 43   |     | 61230471 |      | PARAOLIO Ø 30x47x7                  | OIL SEAL                 | JOINT PALAUSTRA             | SIMMERING                       | ARO RASCADOR DE ACEITE       |
| 44   |     | 47003040 | 1    | DISTANZIALE CROMATO                 | SPACER CHROMATED         | ENTRETOISE CHROMEE          | DISTANZHÜLSE VERCHROMT          | DISTANCIADOR CROMADO         |
| 45   |     | 61301701 | 1    | O-RING 3068                         | O-RING                   | JOINT OR                    | O-RING                          | JUNTA ANULAR                 |

|    |          |   |                                  |                     |                    |                           |                       |
|----|----------|---|----------------------------------|---------------------|--------------------|---------------------------|-----------------------|
| 46 | 46920100 | 1 | PULEGGIA COND. Ø 95 SAPPHIRE 65  | DRIVEN PULLEY       | POULIE MENE        | GETRIEBENE RIEMENSCHLEIBE | POLEA DE CONDUCTA     |
|    | 46920110 |   | PULEGGIA COND. Ø 100 SAPPHIRE 85 | DRIVEN PULLEY       | POULIE MENE        | GETRIEBENE RIEMENSCHLEIBE | POLEA DE CONDUCTA     |
| 47 | 60221002 |   | DADO M10 AUTOBL. UNI 7474        | LOCK NUT            | ECROU AUTOBLOQUANT | STOPMUTTER                | TUERCA AUTOBLOQUEANTE |
| 49 | V6603002 |   | RIDUTTORE SINISTRO               | REDUCTION GEAR LEFT | REDUCTEUR GAUCHE   | GETRIEBE LINKS            | REDUCTOR IZQUIERDO    |



| Pos. | S/N | Codice   | Q.tà | Denominazione                        | Description                | Description                | Benennung                     | Descripción                |
|------|-----|----------|------|--------------------------------------|----------------------------|----------------------------|-------------------------------|----------------------------|
| 1    |     | 47220120 | 1    | MOLLA TRAZ. 25x4,0x160 + OCCHI       | TRACTION SPRING            | RESSORT DE TRACTION        | ZUGFEDER                      | RESORTE DE TRACCIÓN        |
| 2    |     | 20603110 | 1    | TIRANTE MOLLA RITORNO LAT.           | TIE ROD SPRING             | TIRANT DE RESSORT          | ZUGSTANGE FEDER               | TIRANTE RESORTE            |
| 3    |     | 60309002 |      | ROSETTA 9x24x2 UNI 6593 DIN 9021     | WASHER                     | RONDELLE                   | UNTERLAGSCHEIBE               | ARANDELA                   |
| 4    |     | 60210810 |      | DADO M8 H8 UNI 5587                  | NUT                        | ECROU                      | MUTTER                        | TUERCA                     |
| 5    |     | 60111025 |      | VITE M10x65 TE UNI 5737              | SCREW                      | VIS                        | SCHRAUBE                      | TORNILLO                   |
| 6    |     | 60311001 |      | ROSETTA 11x30x2,5 UNI 6593           | WASHER                     | RONDELLE                   | UNTERLAGSCHEIBE               | ARANDELA                   |
| 7    |     | 20603060 | 1    | BRACCIO COM. BASAMENTO S65           | ARM BRUSHES BASE CONTROL   | BRAS COMMANDE DE BROSSES   | ARM BÜRSTENBETÄTIGUNG         | BRAZO MANDO BANCADA CEP.   |
|      |     | 20603120 |      | BRACCIO COM. BASAMENTO S85           | ARM BRUSHES BASE CONTROL   | BRAS COMMANDE DE BROSSES   | ARM BÜRSTENBETÄTIGUNG         | BRAZO MANDO BANCADA CEP.   |
| 8    |     | 60221003 |      | DADO M10 H12 AUTOBL. UNI 7473        | LOCK NUT                   | ECROU AUTOBLOQUANT         | STOPMUTTER                    | TUERCA AUTOBLOQUEANTE      |
| 9    |     | 20603070 | 1    | ALBERO COMANDO BASAMENTO             | SHAFT BRUSHES BASE CONTROL | ARBRE COMMANDE DE BROSSES  | WELLE BÜRSTENBETÄTIGUNG       | EJE MANDO BANCADA CEPILLOS |
| 10   |     | 60110411 |      | VITE M4x30 TE UNI 5739 DIN 933 INOX  | SCREW INOX                 | VIS INOX                   | SCHRAUBE INOX                 | TORNILLO INOX              |
| 11   |     | 60304002 |      | ROSETTA 4x9x0,8 UNI 6592             | WASHER                     | RONDELLE                   | UNTERLAGSCHEIBE               | ARANDELA                   |
| 12   |     | 60110604 |      | VITE M6x12 TE UNI 5739 DIN 933       | SCREW                      | VIS                        | SCHRAUBE                      | TORNILLO                   |
| 13   |     | 60306003 |      | ROSETTA 6x12x1,6 UNI 6592 DIN 125A   | WASHER                     | RONDELLE                   | UNTERLAGSCHEIBE               | ARANDELA                   |
| 14   |     | 60506004 |      | RONDELLA 6x2,5x1,8 GROWER            | LOCK WASHER                | RONDELLE FREIN             | ZAHNSCHEIBE                   | ARANDELA DENTADA           |
| 15   |     | 20603130 | 1    | SUPPORTO MICRO                       | SUPPORT MICRO SWITCH       | SUPPORT MICRO-INTERRUPTEUR | HALTERUNG MIKROSCHALTER       | SOPORTE MICROINTERRUPTOR   |
| 16   |     | 60220401 |      | DADO M4 H6 AUTOBL. UNI 7473          | LOCK NUT                   | ECROU AUTOBLOQUANT         | STOPMUTTER                    | TUERCA AUTOBLOQUEANTE      |
| 17   |     | 47106010 | 2    | BOCCOLA                              | BUSHING                    | BAGUE                      | BUCHSE                        | CASQUILLO                  |
| 18   |     | 60308009 |      | ROSETTA 8x32x2,5 UNI 6593            | WASHER                     | RONDELLE                   | UNTERLAGSCHEIBE               | ARANDELA                   |
| 19   |     | 60508001 |      | RONDELLA 8 GROWER ASA B27            | LOCK WASHER                | RONDELLE FREIN             | ZAHNSCHEIBE                   | ARANDELA DENTADA           |
| 20   |     | 60110807 |      | VITE M8x20 TE UNI 5739 DIN 933 (8.8) | SCREW                      | VIS                        | SCHRAUBE                      | TORNILLO                   |
| 21   |     | 60310002 |      | ROSETTA 10x21x2 UNI 6592             | WASHER                     | RONDELLE                   | UNTERLAGSCHEIBE               | ARANDELA                   |
| 22   |     | 60800003 | 2    | SPILLO Ø 2,4x48                      | CLIP                       | EPINGLE                    | SPLINT                        | ESPIGA                     |
| 23   |     | 20603030 | 1    | PERNO PISTONE MARTINETTO             | PIN ACTUATOR PISTON        | AXE PISTON DU VERIN        | BOLZEN KOLBEN<br>SPINDELMOTOR | PERNO PISTÓN GATO          |
| 24   |     | 46330010 | 1    | MARTINETTO 36 V                      | ACTUATOR                   | VERIN                      | SPINDELMOTOR                  | GATO                       |
| 25   |     | 20603090 | 1    | PERNO CORPO MARTINETTO               | PIN ACTUATOR BODY          | AXE CORPS DU VERIN         | BOLZEN KÖRPER<br>SPINDELMOTOR | PERNO CUERPO GATO          |
| 26   |     | 47220110 | 1    | MOLLA TRAZ. 35x5,5x149 + 2 OCCHI     | TRACTION SPRING            | RESSORT DE TRACTION        | ZUGFEDER                      | RESORTE DE TRACCIÓN        |
| 27   |     | 60110807 |      | VITE M8x20 TE UNI 5739 DIN 933 (8.8) | SCREW                      | VIS                        | SCHRAUBE                      | TORNILLO                   |
| 28   |     | 20603100 | 1    | AGGANCIO MOLLA PRESSIONE             | COUPLER PRESSURE SPRING    | ACCROCHAGE RESSORT PRESS.  | ARRETIERUNG DRUCKFEDER        | ENGANCHE RESORTE PRESIÓN   |
| 29   |     | 60220801 |      | DADO M8 H8,5 AUTOBL. UNI 7474        | LOCK NUT                   | ECROU AUTOBLOQUANT         | STOPMUTTER                    | TUERCA AUTOBLOQUEANTE      |
| 30   |     | 60221003 |      | DADO M10 H12 AUTOBL. UNI 7473        | LOCK NUT                   | ECROU AUTOBLOQUANT         | STOPMUTTER                    | TUERCA AUTOBLOQUEANTE      |
| 31   |     | 20603080 | 1    | BILANCIERE PRESSIONE BASAMENTO       | ROCKER ARM                 | BALANCIER                  | KIPPHEBEL                     | BALANCÍN                   |
| 32   |     | 47106020 | 2    | BOCCOLA                              | BUSHING                    | BAGUE                      | BUCHSE                        | CASQUILLO                  |
| 33   |     | 60311001 |      | ROSETTA 11x30x2,5 UNI 6593           | WASHER                     | RONDELLE                   | UNTERLAGSCHEIBE               | ARANDELA                   |
| 34   |     | 60111020 |      | VITE M10x50 TE UNI 5737 DIN 931      | SCREW                      | VIS                        | SCHRAUBE                      | TORNILLO                   |
| 35   |     | 60220601 |      | DADO M6 H6 AUTOBL. UNI 7474          | LOCK NUT                   | ECROU AUTOBLOQUANT         | STOPMUTTER                    | TUERCA AUTOBLOQUEANTE      |
| 36   |     | 60306007 |      | ROSETTA 6x18x1,5 UNI 6593            | WASHER                     | RONDELLE                   | UNTERLAGSCHEIBE               | ARANDELA                   |
| 37   |     | 63802001 | 1    | BASSETTA PVC                         | SUPPORT PLATE              | PLAQUE SUPPORT             | STÜTZPLATTE                   | PLACA SOPORTE              |
| 38   |     | 63409020 | 2    | MICRO MARTINETTO                     | MICROSWITCH ACTUATOR       | MICROINTERRUPTEUR VERIN    | MIKROSCHALTER<br>SPINDELMOTOR | MICROINTERRUPTOR GATO      |
| 39   |     | 63409005 | 1    | MICROINTERRUTTORE                    | MICROSWITCH                | MICROINTERRUPTEUR          | MIKROSCHALTER                 | MICROINTERRUPTOR           |
| 40   |     | 63499005 | 1    | CAPPUCCIO PER                        | PROTECTION CAP             | CALOTTE DE PROTECTION      | SICHERHEITSKAPPE              | CAPUCHO DE PROTECCIÓN      |





**GRUPPO TELAIO**

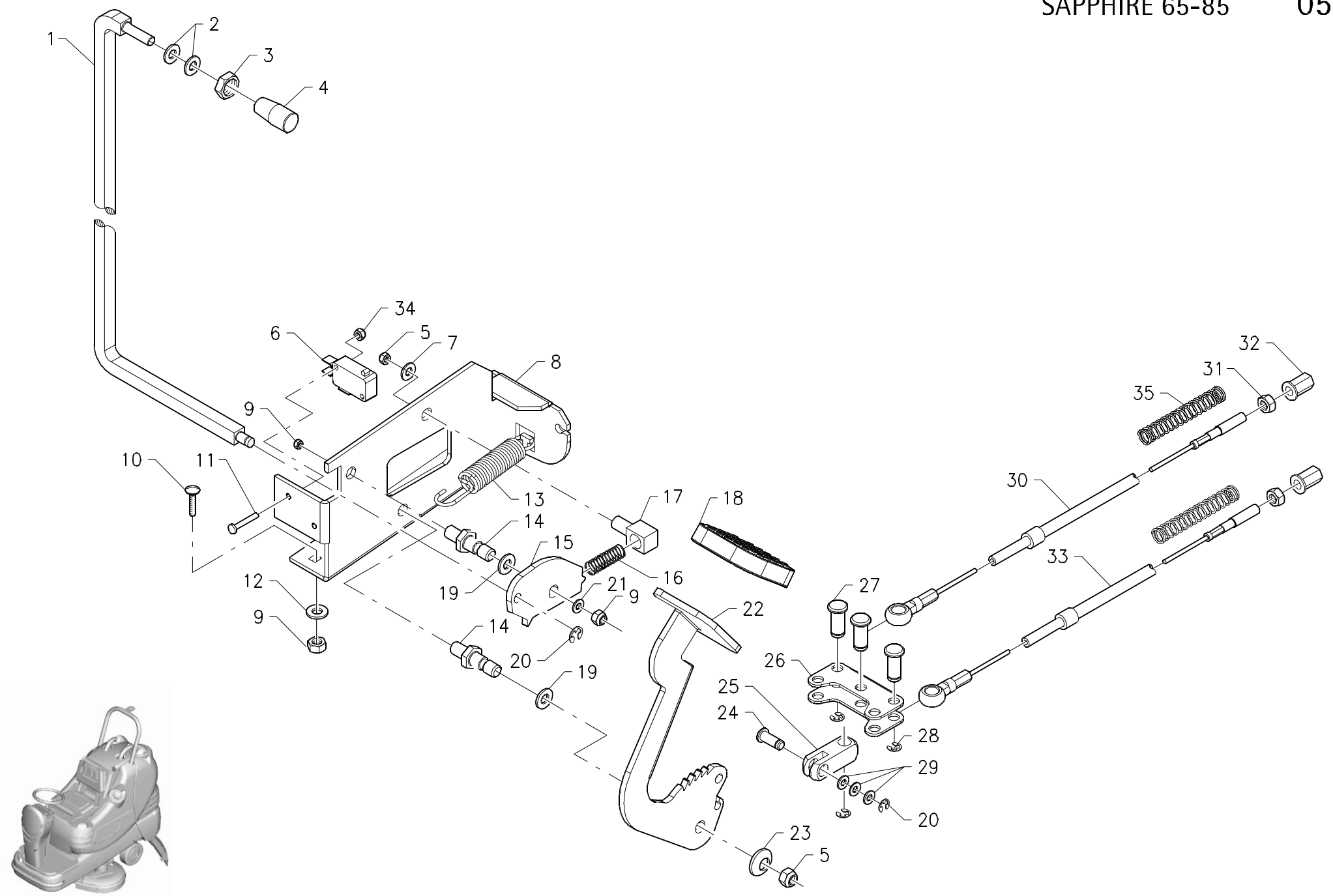
FRAME ASSEMBLY • GROUPE DE CHASSIS • GRUPPE CHASSIS • GRUPO BASTIDOR

04

| Pos. | S/N | Codice   | Q.tà | Denominazione                        | Description           | Description               | Benennung            | Descripción            |
|------|-----|----------|------|--------------------------------------|-----------------------|---------------------------|----------------------|------------------------|
| 1    |     | 48006010 | 1    | SOTTOFONDO BATTERIE                  | BATTERY BASE          | BAC LOGEMENT BATTERIES    | BATTERIEKASTEN       | PLACA ASIENTO BATERÍAS |
| 2    |     | 46106200 | 1    | TELAIO ANTERIORE                     | FRONT FRAME           | CHASSIS AVANT             | CHASSIS VORNE        | BASTIDOR DELANTERO     |
| 3    |     | 63416001 | 1    | PEDALE COMANDO MARCIA ELETTR.        | PEDAL DRIVE CONTROL   | PEDALE COMMANDE DE MARCHE | PEDAL FAHRBETÄTIGUNG | PEDAL DE MANDO MARCHA  |
| 4    |     | 60110807 |      | VITE M8x20 TE UNI 5739 DIN 933 (8.8) | SCREW                 | VIS                       | SCHRAUBE             | TORNILLO               |
| 5    |     | 60508001 |      | RONDELLA 8 GROWER ASA B27            | LOCK WASHER           | RONDELLE FREIN            | ZAHNSCHEIBE          | ARANDELA DENTADA       |
| 6    |     | 46106100 | 1    | TELAIO BASE                          | FRAME                 | CHASSIS                   | CHASSIS              | BASTIDOR               |
| 7    |     | 60211001 |      | DADO M10 H8 UNI 5588                 | NUT                   | ECROU                     | MUTTER               | TUERCA                 |
| 8    |     | 60101004 |      | VITE M10x30 TTQST UNI 5732           | SCREW                 | VIS                       | SCHRAUBE             | TORNILLO               |
| 9    |     | 62405001 | 2    | PIEDINO ANTIVIBRANTE Ø 20x7 M6x15    | CAP VIBRATION-DAMPING | BOUCHON ANTIVIBRANT       | DÄMMUNGSSTOPFEN      | TAPÓN ANTIVIBRANTE     |
| 10   |     | 60306007 |      | ROSETTA 6x18x1,5 UNI 6593            | WASHER                | RONDELLE                  | UNTERLAGSCHEIBE      | ARANDELA               |
| 11   |     | 60210608 |      | DADO M6 H5 UNI 5588-ISO4032          | NUT                   | ECROU                     | MUTTER               | TUERCA                 |
| 12   |     | 60211001 |      | DADO M10 H8 UNI 5588                 | NUT                   | ECROU                     | MUTTER               | TUERCA                 |
| 13   |     | 60101006 |      | VITE M10x50 TTQST UNI 5732           | SCREW                 | VIS                       | SCHRAUBE             | TORNILLO               |
| 14   |     | 60100601 |      | VITE M6x16 TTQST UNI 5732 (S.DADO)   | SCREW                 | VIS                       | SCHRAUBE             | TORNILLO               |
| 15   |     | 62409002 |      | CERNIERA 2,5"x2,5" Ø 6,5             | HINGE                 | CHARNIERE                 | SCHARNIER            | BISAGRA                |
| 16   |     | 60220601 | 2    | DADO M6 H6 AUTOBL. UNI 7474          | LOCK NUT              | ECROU AUTOBLOQUANT        | STOPMUTTER           | TUERCA AUTOBLOQUEANTE  |
| 17   |     | 60180603 |      | VITE M6x16 TPSEI UNI 5933 INOX       | SCREW INOX            | VIS INOX                  | SCHRAUBE INOX        | TORNILLO INOX          |
| 18   |     | 62405001 | 2    | PIEDINO Ø20 M6                       | CAP                   | BOUCHON                   | STOPFEN              | TAPÓN                  |





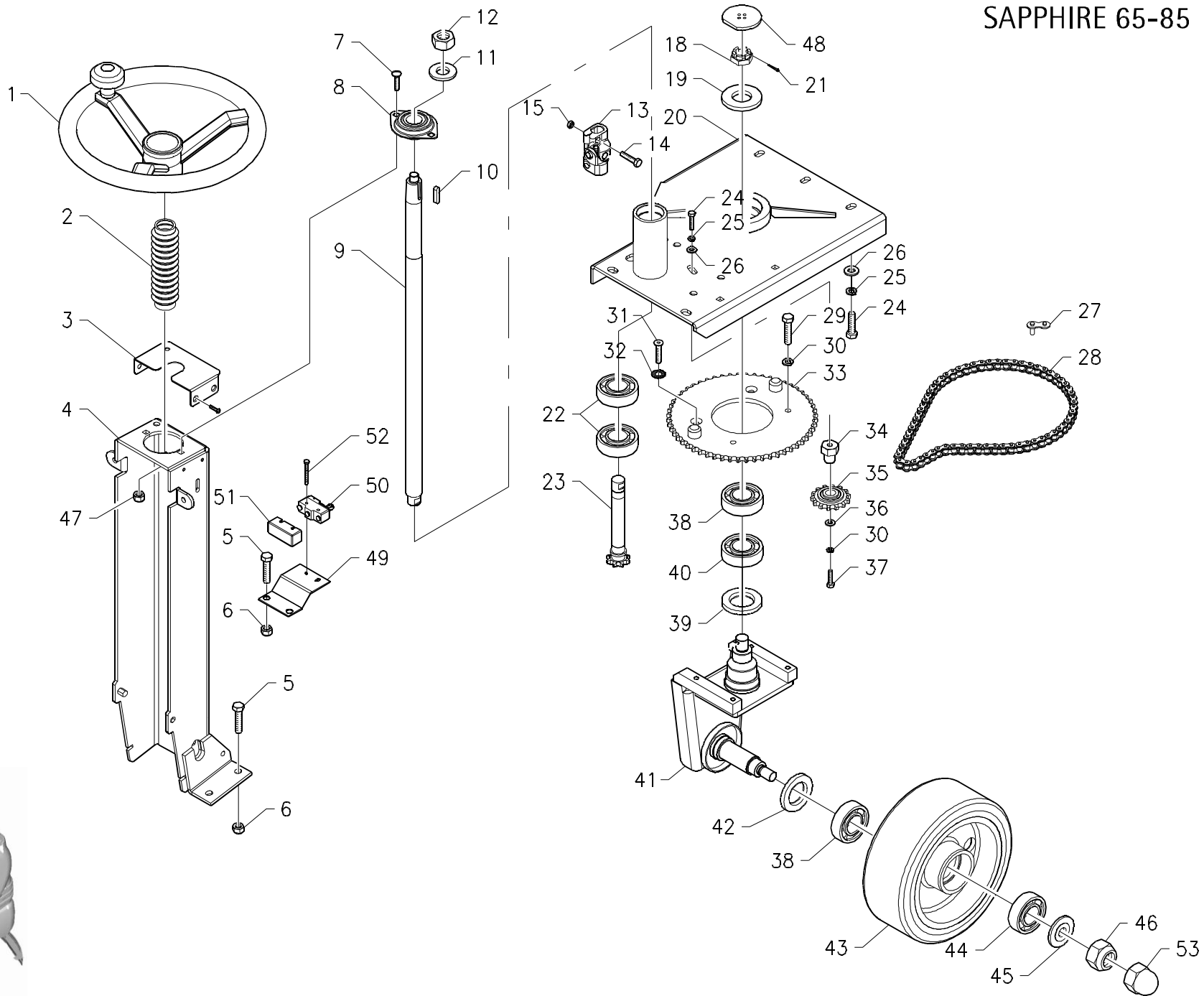


## GRUPPO PEDALE FRENO

BRAKE PEDAL ASSEMBLY • GROUPE DE LA PEDALE DU FREIN • GRUPPE BREMSPEDAL • GRUPO PEDAL DE FRENO

05

| Pos. | S/N | Codice   | Q.tà | Denominazione                        | Description         | Description                 | Benennung                | Descripción                  |
|------|-----|----------|------|--------------------------------------|---------------------|-----------------------------|--------------------------|------------------------------|
| 1    |     | 20608080 | 1    | ASTA FRENO STAZIONAMENTO             | ROD PARKING BRAKE   | TIGE FREIN DE STATIONNEMENT | STANGE STANDBREMSE       | VARILLA FRENO DE ESTACIONAM. |
| 2    |     | 20102210 |      | RONDELLA 8,2x30x3 DELRIN             | WASHER              | RONDELLE                    | UNTERLAGSCHEIBE          | ARANDELA                     |
| 3    |     | 60210601 |      | DADO M6 H3 INOX                      | NUT INOX            | ECROU INOX                  | MUTTER INOX              | TUERCA INOX                  |
| 4    |     | 61810004 | 1    | MANOPOLA CIL. M6 MOD MZ 40           | CYLINDRICAL KNOB    | POIGNEE CYLINDRIQUE         | ZYLINDRISCHER HANDGRIFF  | POMO CILÍNDRICO              |
| 5    |     | 60220801 |      | DADO M8 H8.5 AUTOBL. UNI 7474        | LOCK NUT            | ECROU AUTOBLOQUANT          | STOPMUTTER               | TUERCA AUTOBLOQUEANTE        |
| 6    |     | 63409001 | 1    | MICROINT. 10 A 3x22 LC + ROTELLA     | MICROSWITCH         | MICROINTERRUPTEUR           | MIKROSCHALTER            | MICROINTERRUPTOR             |
| 7    |     | 60308004 |      | ROSETTA 8x17x1,6 UNI 6592            | WASHER              | RONDELLE                    | UNTERLAGSCHEIBE          | ARANDELA                     |
| 8    |     | 20608030 | 1    | SUPPORTO PEDALE FRENO                | SUPPORT BRAKE PEDAL | SUPPORT PEDALE DU FREIN     | HALTERUNG BREMSPEDAL     | SOPORTE PEDAL DE FRENO       |
| 9    |     | 60220801 |      | DADO M8 H8,5 AUTOBL. UNI 7474        | LOCK NUT            | ECROU AUTOBLOQUANT          | STOPMUTTER               | TUERCA AUTOBLOQUEANTE        |
| 10   |     | 60100802 |      | VITE M8x20 TTQST UNI 5732            | SCREW               | VIS                         | SCHRAUBE                 | TORNILLO                     |
| 11   |     | 60140306 |      | VITE M3x30 TCTC UNI 7687             | SCREW               | VIS                         | SCHRAUBE                 | TORNILLO                     |
| 12   |     | 60309002 |      | ROSETTA 9x24x2 UNI 6593              | WASHER              | RONDELLE                    | UNTERLAGSCHEIBE          | ARANDELA                     |
| 13   |     | 47220130 | 1    | MOLLA TRAZ. 15x2x46x81 2 OCCHI       | TRACTION SPRING     | RESSORT DE TRACTION         | ZUGFEDER                 | RESORTE DE TRACCIÓN          |
| 14   |     | 20608040 | 2    | PERNO PEDALE FRENO                   | PIN BRAKE PEDAL     | AXE PEDALE DU FREIN         | BOLZEN BREMSPEDAL        | PERNO PEDAL DE FRENO         |
| 15   |     | 20608020 | 1    | LEVA DI BLOCCO                       | BLOCKING LEVER      | LEVIER DU BLOC              | BLOCKHEBEL               | PALANCA DE BLOQUEO           |
| 16   |     | 47210190 | 1    | MOLLA COMPR. 8,2x1x28                | COMPRESSION SPRING  | RESSORT DE COMPRESSION      | DRUCKFEDER               | RESORTE DE COMPRESIÓN        |
| 17   |     | 20608100 | 1    | PERNO MOLLA FRENO                    | PIN BRAKE SPRING    | AXE RESSORT DE FREIN        | BOLZEN BREMSFEDER        | PERNO RESORTE DE FRENO       |
| 18   |     | 20103040 | 1    | COPERTURA PEDALE                     | PEDAL COVER         | GARNITURE DE PEDALE         | PEDALGUMMI               | CUBREPEDAL                   |
| Q    |     | 60508004 |      | RONDELLA CON. ☺ Ø 8,5x22x1,2 DENT.I. | CONICAL WASHER      | RONDELLE CONIQUE            | KONISCHE UNTERLAGSCHEIBE | ARANDELA CÓNICA              |
| 20   |     | 62120603 | 2    | MOLLA SL6 PER PERNO PKS6             | SPRING FOR PIN      | RESSORT POUR AXE            | FEDER FÜR BOLZEN         | RESORTE PARA PERNO           |
| 21   |     | 47250802 |      | MOLLA A TAZZA 8,2x20x0,9 DIN 2093    | CUPPED WASHER       | RONDELLE CONCAVE            | TELLERFEDER              | ARANDELA CONCAVA             |
| 22   |     | 20608010 | 1    | PEDALE FRENO                         | BRAKE PEDAL         | PEDALE DU FREIN             | BREMSPEDAL               | PEDAL DE FRENO               |
| 23   |     | 47250802 |      | MOLLA A TAZZA 8,2x20x0,9 DIN 2093    | CUPPED WASHER       | RONDELLE CONCAVE            | TELLERFEDER              | ARANDELA CONCAVA             |
| 24   |     | 62120602 | 1    | PERNO Ø 8x16 PKS8                    | PIN                 | AXE                         | BOLZEN                   | PERNO                        |
| 25   |     | 20608060 | 1    | FORCELLA FRENO                       | BRAKE FORK          | FOURCHETTE DU FREIN         | GABELKOPF BREMSE         | HORQUILLA DE FRENO           |
| 26   |     | 20608070 | 1    | BILANCIERE FRENO                     | ROCKER ARM BRAKE    | BALANCIER DU FREIN          | KIPPHEBEL BREMSE         | BALANCÍN DE FRENO            |
| 27   |     | 62120801 | 3    | PERNO Ø 8x16 PKS8                    | PIN                 | AXE                         | BOLZEN                   | PERNO                        |
| 28   |     | 62120802 | 3    | MOLLA KL 8 PER PERNO PKS8            | SPRING FOR PIN      | RESSORT POUR AXE            | FEDER FÜR BOLZEN         | RESORTE PARA PERNO           |
| 29   |     | 60308004 |      | ROSETTA 8x17x1,6 UNI 6592            | WASHER              | RONDELLE                    | UNTERLAGSCHEIBE          | ARANDELA                     |
| 30   |     | 62401006 | 1    | FUNE FRENO DX                        | BRAKE CABLE RIGHT   | CABLE DE FREIN DROITE       | BREMSKABEL RECHTS        | CUERDA DE FRENO DERECHO      |
| 31   |     | 60210601 |      | DADO M6 H3 DIN 439 INOX              | NUT INOX            | ECROU INOX                  | MUTTER INOX              | TUERCA INOX                  |
| 32   |     | 62406014 | 2    | INSERTO M6 UNI 10447A                | INSERT              | INSERT                      | EINSATZ                  | INSERTO                      |
| 33   |     | 62401002 | 1    | FUNE FRENO SN                        | BRAKE CABLE LEFT    | CABLE DE FREIN GAUCHE       | BREMSKABEL LINKS         | CUERDA DE FRENO IZQUIERDO    |
| 34   |     | 60220301 |      | DADO M3 AUTOBL. DIN 982              | LOCK NUT            | ECROU AUTOBLOQUANT          | STOPMUTTER               | TUERCA AUTOBLOQUEANTE        |
| 35   |     | 47210230 | 2    | MOLLA COMPRESIONE 10x1x65            | COMPRESSION SPRING  | RESSORT DE COMPRESSION      | DRUCKFEDER               | RESORTE DE COMPRESIÓN        |



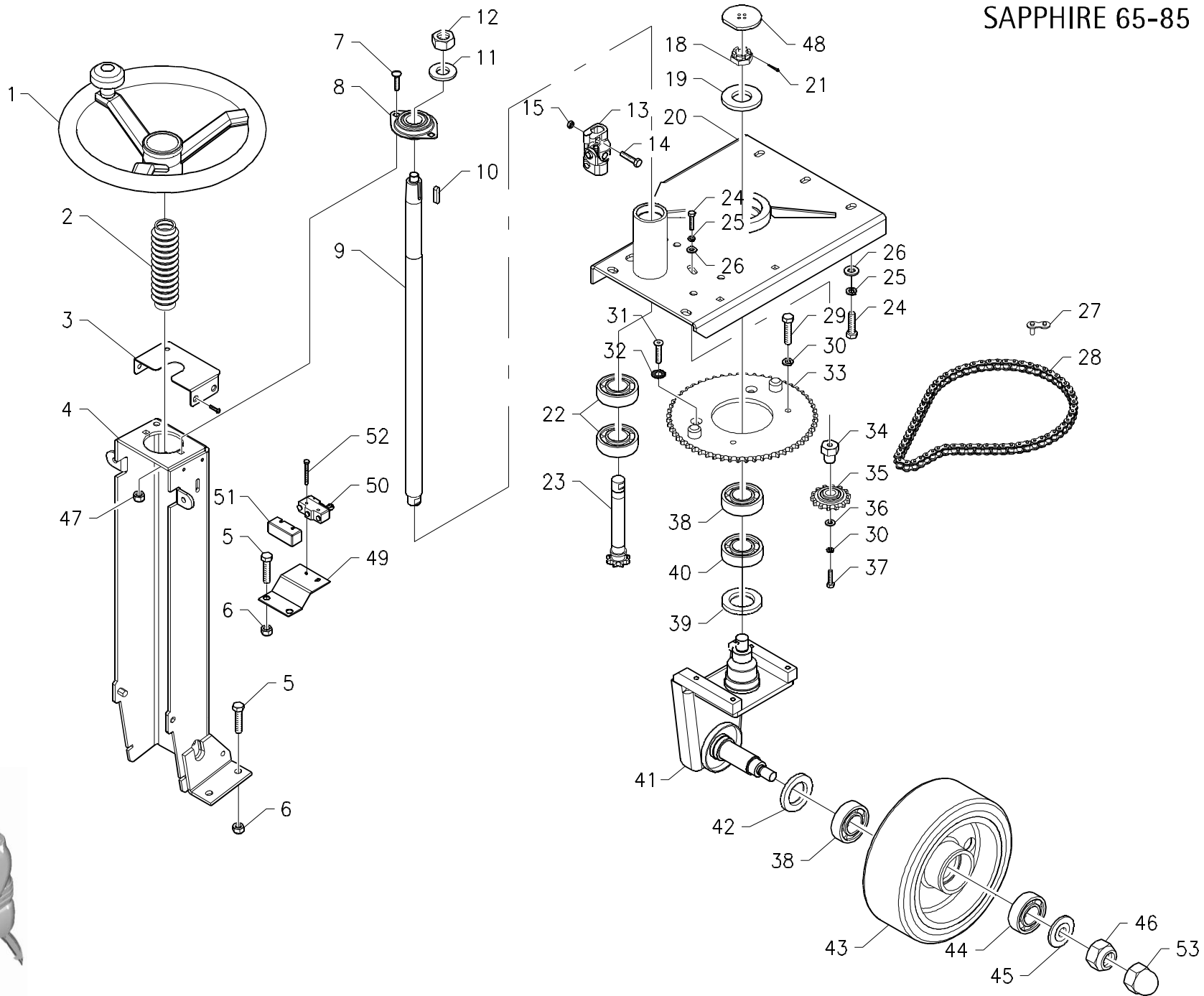
## GRUPPO STERZO

STEERING WHEEL ASSEMBLY • GROUPE DE VOLANT • GRUPPE STEUERRAD • GRUPO DIRECCIÓN

06

| Pos. | S/N | Codice   | Q.tà | Denominazione                        | Description                 | Description              | Benennung                | Descripción                |
|------|-----|----------|------|--------------------------------------|-----------------------------|--------------------------|--------------------------|----------------------------|
| 1    |     | 49206010 | 1    | VOLANTE Ø 320 CON POMELLO            | DRIVE WHEEL WITH KNOB       | VOLANT AVEC POMMEAU      | LENKRAD MIT KNOPF        | VOLANTE CON POMO           |
| 2    |     | 47650020 | 1    | TUBO A SOFFIETTO GOMMA STERZO        | FOLDING RUBBER HOSE         | TUYAU A SOUFLLET         | FALTENSCHLAUCH           | TUBO DE FUELLE             |
| 3    |     | 20611110 | 1    | COPERTURA TELAIO ANTERIORE           | COVER FRONT FRAME           | COUVERTURE CHASSIS AVANT | ABDECKUNG CHASSIS VORNE  | COBERTURA BASTIDOR DELANT. |
| 4    |     | 46106200 | 1    | TELAIO ANTERIORE                     | FRONT FRAME                 | CHASSIS AVANT            | CHASSIS VORNE            | BASTIDOR DELANTERO         |
| 5    |     | 60111006 |      | VITE M10x25 TE UNI 5739              | SCREW                       | VIS                      | SCHRAUBE                 | TORNILLO                   |
| 6    |     | 60221003 |      | DADO M10 H12 AUTOBL. UNI 7473        | LOCK NUT                    | ECROU AUTOBLOQUANT       | STOPMUTTER               | TUERCA AUTOBLOQUEANTE      |
| 7    |     | 60100802 |      | VITE M8x20 TTQST UNI 5732            | SCREW                       | VIS                      | SCHRAUBE                 | TORNILLO                   |
| 8    |     | 61442501 | 1    | SUPPORTO CUSCINETTO                  | BEARING SUPPORT             | SUPPORT DE ROULEMENT     | LAGERHALTERUNG           | SOPORTE COJINETE           |
| 9    |     | 20609050 | 1    | ALBERO VOLANTE                       | SHAFT DRIVE WHEEL           | ARBRE DE VOLANT          | WELLE LENKRAD            | EJE VOLANTE                |
| 10   |     | 60905051 | 1    | LINGUETTA MM. 5x5x20                 | KEY                         | CLAVETTE                 | KEIL                     | CLAVIJA                    |
| 11   |     | 60514001 |      | RONDELLA CON. Ø 14x32x1,4 DENT.I.    | CONICAL WASHER              | RONDELLE CONIQUE         | KONISCHE UNTERLAGSCHEIBE | ARANDELA CÓNICA            |
| 12   |     | 60211403 |      | DADO M14 UNI 5589                    | NUT                         | ECROU                    | MUTTER                   | TUERCA                     |
| 13   |     | 62407001 | 1    | GIUNTO CARDANICO                     | UNIVERSAL JOINT             | JOINT UNIVERSEL          | KREUZGELENK              | ARTICULACIÓN UNIVERSAL     |
| 14   |     | 60110812 |      | VITE M8x35 TE UNI 5739 DIN 933 (8.8) | SCREW                       | VIS                      | SCHRAUBE                 | TORNILLO                   |
| 15   |     | 60220801 |      | DADO M8 H8,5 AUTOBL. UNI 7474        | LOCK NUT                    | ECROU AUTOBLOQUANT       | STOPMUTTER               | TUERCA AUTOBLOQUEANTE      |
| 18   |     | 60242001 |      | DADO M20x1,5 A INTAGLI UNI 5594      | NUT                         | ECROU                    | MUTTER                   | TUERCA                     |
| 19   |     | 60321001 |      | ROSETTA 21x37x3 UNI 6592 HH          | WASHER                      | RONDELLE                 | UNTERLAGSCHEIBE          | ARANDELA                   |
| 20   |     | 20609030 | 1    | SUPPORTO STERZO                      | SUPPORT STEERING WHEEL      | SUPPORT DE VOLANT        | HALTERUNG STEUERRAD      | SOPORTE DIRECCIÓN          |
| 21   |     | 60704010 | 1    | COPIGLIA Ø 4x40 UNI 1336             | SPLIT PIN                   | GOUPILLE                 | SPLINT                   | PASADOR DE ALETAS          |
| 22   |     | 61412001 | 2    | CUSCINETTO SF. 6004-2RS1             | BEARING                     | ROULEMENT                | LAGER                    | COJINETE                   |
| 23   |     | 20609040 | 1    | ALBERO PIGNONE STERZO                | SHAFT PINION STEERING WHEEL | ARBRE PIGNON DE VOLANT   | WELLE RITZEL STEUERRAD   | EJE PIÑÓN DIRECCIÓN        |
| 24   |     | 60111006 |      | VITE M10x25 TE UNI 5739              | SCREW                       | VIS                      | SCHRAUBE                 | TORNILLO                   |
| 25   |     | 60510006 |      | ROSETTA 10 GROWER UNI 1751B          | LOCK WASHER                 | RONDELLE FREIN           | ZAHNSCHEIBE              | ARANDELA DENTADA           |
| 26   |     | 60311001 |      | ROSETTA 11x30x2,5 UNI 6593           | WASHER                      | RONDELLE                 | UNTERLAGSCHEIBE          | ARANDELA                   |
| 27   |     | 61520001 | 1    | GIUNTO CATENA 1/2x5/16               | JOINT CHAIN                 | ATTACHE RAPID CHAINE     | KETTENSCHLOSS            | ESLABON CADENA             |
| 28   |     | 61510001 | 1    | CATENA 1/2x5/16-67 PASSI             | CHAIN                       | CHAINE                   | KETTE                    | CADENA                     |
| 29   |     | 60110809 |      | VITE M8x25 TE UNI 5739               | SCREW                       | VIS                      | SCHRAUBE                 | TORNILLO                   |
| 30   |     | 60508001 |      | RONDELLA 8 GROWER ASA B27            | LOCK WASHER                 | RONDELLE FREIN           | ZAHNSCHEIBE              | ARANDELA DENTADA           |
| 31   |     | 60180806 |      | VITE M8x25 TPSEI UNI 5933            | SCREW                       | VIS                      | SCHRAUBE                 | TORNILLO                   |
| 32   |     | 60508003 |      | RONDELLA DENT. Ø 8 "V" DIN 6798      | LOCK WASHER                 | RONDELLE FREIN           | ZAHNSCHEIBE              | ARANDELA DENTADA           |
| 33   |     | 46820010 | 1    | CORONA STERZO                        | CROWN GEAR STEERING WHEEL   | COURONNE DE VOLANT       | ZAHNKETTENRAD STEUERRAD  | CORONA DENTADA DIRECCIÓN   |
| 34   |     | 20609060 | 1    | PERNO TENDICATENA                    | PIN CHAIN TIGHTENER         | AXE TENDEUR DE CHAINE    | BOLZEN KETTENSANNER      | PERNO TENSOR DE CADENA     |
| 35   |     | 46860010 |      | PIGNONE TENDICATENA 1/2x5/16<br>Z=14 | PINION CHAIN TIGHTENER      | PIGNON TENDEUR DE CHAINE | RITZEL KETTENSANNER      | PIÑÓN TENSOR DE CADENA     |
| 36   |     | 60309002 |      | ROSETTA 9x24x2 UNI 6593              | WASHER                      | RONDELLE                 | UNTERLAGSCHEIBE          | ARANDELA                   |
| 37   |     | 60110807 |      | VITE M8x20 TE UNI 5739               | SCREW                       | VIS                      | SCHRAUBE                 | TORNILLO                   |
| 38   |     | 61413005 | 2    | CUSCINETTO SF. 6206-2RS1             | BEARING                     | ROULEMENT                | LAGER                    | COJINETE                   |
| 39   |     | 61252801 | 1    | PARAOILIO Ø 52x80x10 SC              | OIL SEAL                    | JOINT PAULSTRA           | SIMMERING                | ARO RASCADOR DE ACEITE     |
| 40   |     | 61424501 | 1    | CUSCINETTO                           | BEARING                     | ROULEMENT                | LAGER                    | COJINETE                   |
| 41   |     | 20609010 | 1    | STAFFA RUOTA ANTERIORE               | SUPPORT FRONT WHEEL         | ATTAQUE ROUE AVANT       | HALTERUNG VORDERES RAD   | SOPORTE RUEDA DELANTERA    |
| 42   |     | 61238621 | 1    | PARAOILIO Ø 38x62x7 TC               | OIL SEAL                    | JOINT PAULSTRA           | SIMMERING                | ARO RASCADOR DE ACEITE     |
| 43   |     | 46524020 | 1    | RUOTA Ø 245x90 ANT. PUR 75 SH        | WHEEL                       | ROUE                     | RAD                      | RUEDA                      |
| 44   |     | 61412502 | 1    | CUSCINETTO SF. 6205-2RS1             | BEARING                     | ROULEMENT                | LAGER                    | COJINETE                   |



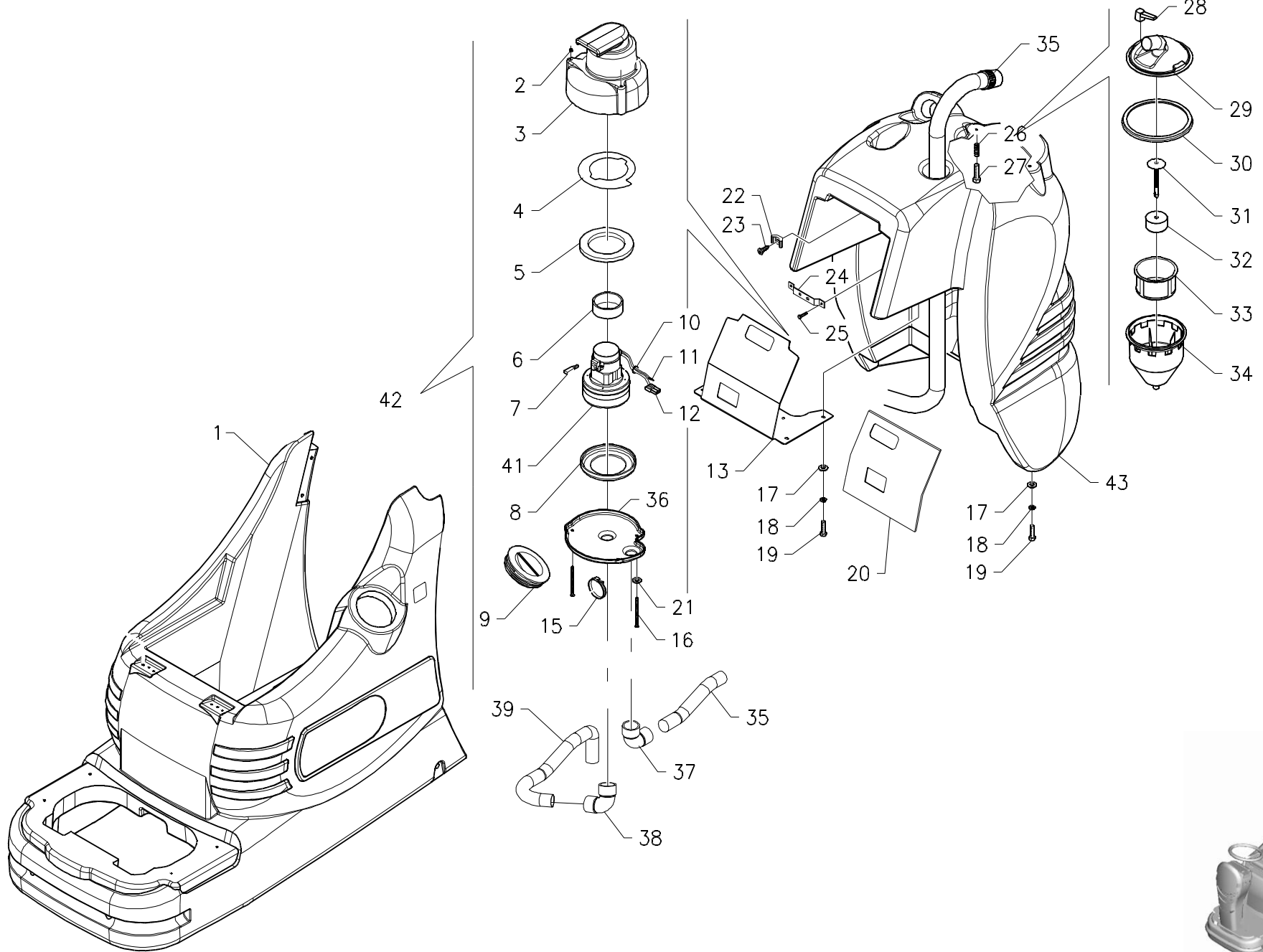


**GRUPPO STERZO**

STEERING WHEEL ASSEMBLY • GROUPE DE VOLANT • GRUPPE STEUERRAD • GRUPO DIRECCIÓN

06

| Pos. | S/N | Codice   | Q.tà | Denominazione                     | Description          | Description               | Benennung               | Descripción              |
|------|-----|----------|------|-----------------------------------|----------------------|---------------------------|-------------------------|--------------------------|
| 45   |     | 20609020 | 1    | RONDELLA STERZO                   | WASHER               | RONDELLE                  | UNTERLAGSCHEIBE         | ARANDELA                 |
| 46   |     | 60221601 |      | DADO M16x1,5 H16 AUTOBL. UNI 7474 | LOCK NUT             | ECROU AUTOBLOQUANT        | STOPMUTTER              | TUERCA AUTOBLOQUEANTE    |
| 47   |     | 60220801 |      | DADO M8 H8,5 AUTOBL. UNI 7474     | LOCK NUT             | ECROU AUTOBLOQUANT        | STOPMUTTER              | TUERCA AUTOBLOQUEANTE    |
| 48   |     | 20609070 | 1    | CAMMA                             | CAM WHEEL            | CAME                      | NOCKEN                  | LEVA                     |
| 49   |     | 20609080 | 1    | STAFFA MICRO                      | SUPPORT MICRO SWITCH | ATTAQUE MICRO-INTERRUPT.  | HALTERUNG MIKROSCHALTER | SOPORTE MICROINTERRUPTOR |
| 50   |     | 63409005 |      | MICROINTERRUPTORE                 | MICRO SWITCH         | MICRO-INTERRUPTEUR        | MIKROSCHALTER           | MICROINTERRUPTOR         |
| 51   |     | 63499005 |      | CAPPUCCIO PER MICROINTERRUPTORE   | CAP MICRO SWITCH     | CAPUCHON MICRO-INTERRUPT. | KAPPE MIKROSCHALTER     | TAPÓN MICROINTERRUPTOR   |
| 52   |     | 60110403 |      | VITE M4x14 TE UNI 5739 INOX       | SCREW INOX           | VIS INOX                  | SCHRAUBE INOX           | TORNILLO INOX            |
| 53   |     | 62040004 | 1    | COPRIDADO M16                     | NUT COVER            | COUVRE-ECROU              | CUBRETUERCA             |                          |





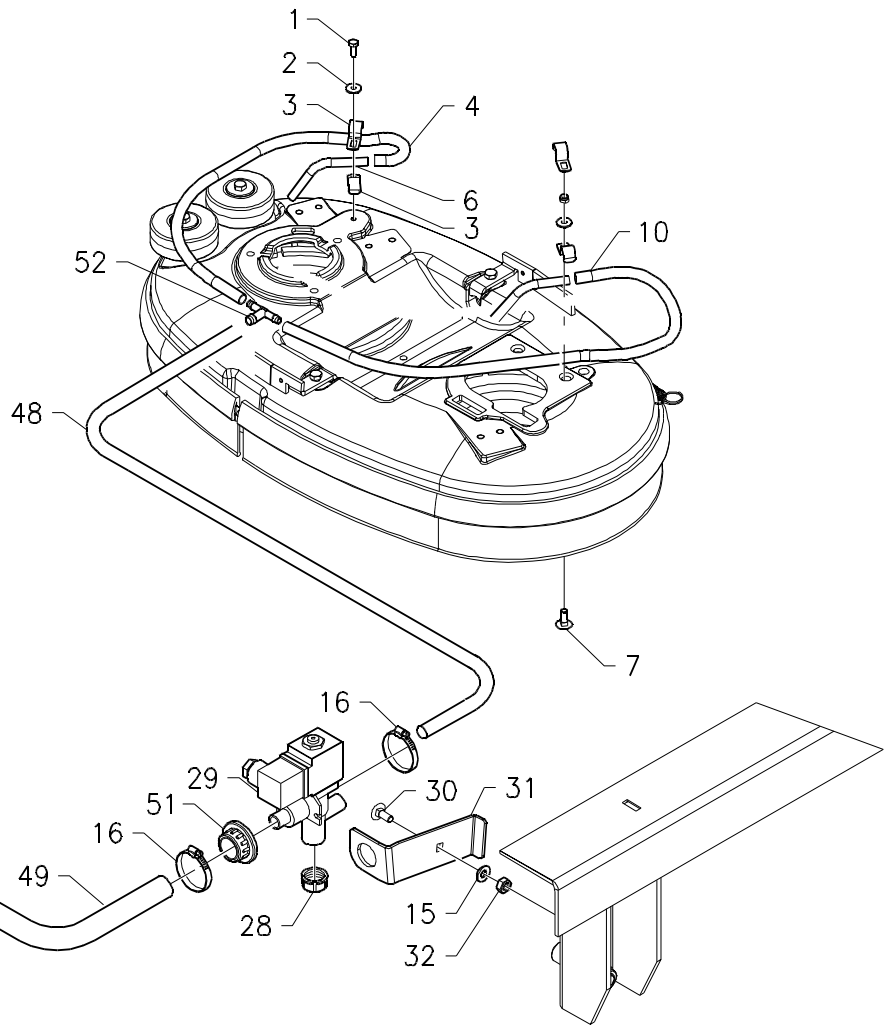
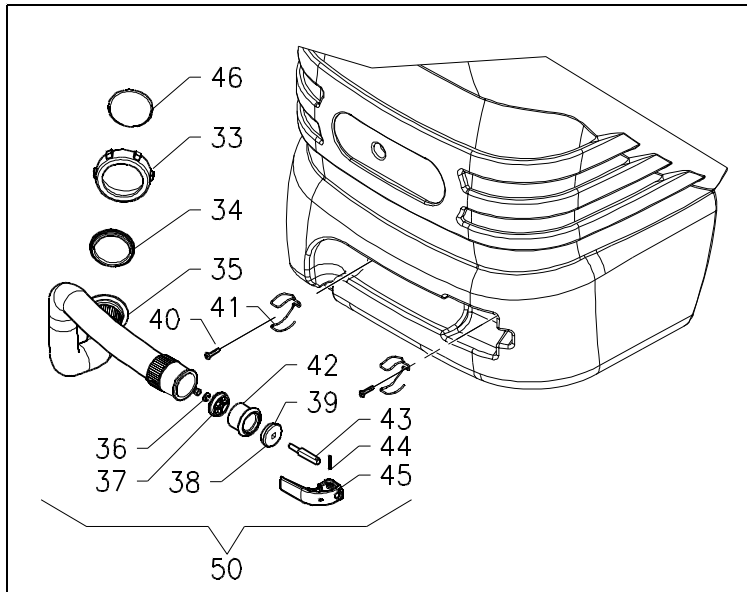
## GRUPPO SERBATOI E ASPIRAZIONE

TANKS AND SUCTION ASSEMBLY • GROUPE DES RESERVOIRS ET DE L'ASPIRATION • GRUPPE TANKS UND ABSAUGUNG • GRUPO DEPÓSITOS Y ASPIRACIÓN

07

| Pos. | S/N | Codice   | Q.tà | Denominazione                    | Description               | Description                 | Benennung                  | Descripción                  |
|------|-----|----------|------|----------------------------------|---------------------------|-----------------------------|----------------------------|------------------------------|
| 1    |     | 47306110 | 1    | SERBATOIO SOLUZIONE              | SOLUTION TANK             | RESERVOIR SOLUTION          | FRISCHWSSERTANK            | DEPÓSITO SOLUCIÓN            |
| 2    |     | 60220601 |      | DADO M6 H6 AUTOBL. UNI 7474      | LOCK NUT                  | ECROU AUTOBLOQUANT          | STOPMUTTER                 | TUERCA AUTOBLOQUEANTE        |
| 3    |     | 20310090 | 1    | CUFFIA ASPIRATORE 3 STADI-H1900  | SUCTION MOTOR CASING      | PROTECTEUR MOTEUR D'ASP.    | ABDECKUNG SAUGMOTOR        | COBERTURA MOTOR ASPIRACIÓN   |
| 4    |     | 20110080 | 1    | LAMIERA INTERNA PROTEZIONE ASP.  | INNER PROTECTION RING     | ANNEAU INTER. PROTECTION    | INNERER SCHUTZRING         | CHAPA INTERIOR DE PROTECCIÓN |
| 5    |     | 48103020 | 1    | ANTIVIBRANTE ASPIRATORE          | VIBRATION-DAMPING         | ANTIVIBRANT MOTEUR D'ASP.   | DÄMMSCHICHT SAUGMOTOR      | ANTIVIBRANTE MOTOR ASPIR.    |
| 6    |     | 48103010 | 1    | SEPARATORE ASPIRATORE            | SEPARATOR SUCTION MOTOR   | SEPARATEUR MOTEUR D'ASP.    | SEPARATOR SAUGMOTOR        | SEPARADOR MOTOR DE ASP.      |
| 7    |     | 63608111 | 2    | SPAZZOLA MOTORE 8x11 NERO        | CARBON BRUSH MOTOR        | CHARBON DE MOTEUR           | KOHLEBÜRSTE MOTOR          | ESCOBILLA MOTOR              |
| 8    |     | 47804010 | 1    | GUARNIZIONE ASPIRATORE Ø 154     | SUCTION MOTOR GASKET      | JOINT MOTEUR D'ASPIRATION   | DICHTUNGSRING SAUGMOTOR    | GUARNICIÓN MOTOR ASPIRACIÓN  |
| 9    |     | 62350001 | 1    | TAPPO SERBATOIO SOLUZIONE        | CAP SOLUTION TANK         | BOUCHON RESERVOIR SOL.      | DECKEL FRISCHWSSERTANK     | TAPA DEPÓSITO SOLUCIÓN       |
| 10   |     | 61910002 | 2    | FASCETTA MM. 2,5x98 NERA         | CLAMP                     | COLLIER                     | BRIDE                      | PLAQUETA                     |
| 11   |     | 63130001 | 2    | CONTATTO CONNETTORE 30A          | CONTACT CONNECTOR         | CONTACT DE CONNECTEUR       | STECKERKONTAKT             | CONTACTO CONECTOR            |
| 12   |     | 63110004 | 2    | CONNETTORE 30A ROSSO             | CONNECTOR RED             | CONNECTEUR ROUGE            | STECKER ROT                | CONECTOR ROJO                |
| 13   |     | 20610010 | 1    | SUPPORTO ASPIRATORE              | SUPPORT SUCTION MOTOR     | SUPPORT MOTEUR D'ASPIRATION | HALTERUNG SAUGMOTOR        | SOPORTE MOTOR DE ASPIRACIÓN  |
| 15   |     | 61930005 | 1    | FASCETTA STRINGITUBO MM. 38-50   | CLAMP HOSE WRENCH         | COLLIER SERRE-TUYAU         | BRIDE SCHLAUCHKLEMME       | ABRAZADERA BLOQUEO TUBO      |
| 16   |     | 60110635 |      | VITE M6x130 TE UNI 5737 DIN 931  | SCREW                     | VIS                         | SCHRAUBE                   | TORNILLO                     |
| 17   |     | 60306007 |      | ROSETTA 6x18x1,5 UNI 6593        | WASHER                    | RONDELLE                    | UNTERLAGSCHEIBE            | ARANDELA                     |
| 18   |     | 60506004 |      | RONDELLA 6x2,5x1,8 GROWER        | LOCK WASHER               | RONDELLE FREIN              | ZAHNSCHEIBE                | ARANDELA DENTADA             |
| 19   |     | 60110608 |      | VITE M6x16 TE UNI 5739           | SCREW                     | VIS                         | SCHRAUBE                   | TORNILLO                     |
| 20   |     | 48106010 | 1    | FONOASSORBENTE SUPPORTO ASPIR.   | DEADENING SUCTION SUPPORT | ISOLANT PHONIQUE SUPP.ASP.  | SCHALLDICHTUNG MOTORHALT.  | FONOABSORBENTE SOPORTE MOT.  |
| 21   |     | 60306007 |      | ROSETTA 6x18x1,5 UNI 6593        | WASHER                    | RONDELLE                    | UNTERLAGSCHEIBE            | ARANDELA                     |
| 22   |     | 63714001 |      | SUPPORTO A SELLA (14,6x22,5x11)  | SADDLE SUPPORT            | SUPPORT A SELLE             | SATTELHALTERUNG            | SOPORTE CON ASIENTO          |
| 23   |     | 60190424 |      | VITE Ø 4,8x16 AUTOF. TC UNI 6954 | SCREW                     | VIS                         | SCHRAUBE                   | TORNILLO                     |
| 24   |     | 20610030 | 1    | LAMA FISSAGGIO TUBO              | BLADE HOSE FIXING         | PLAQUE FIXAGE TUYAU         | PLATTE SCHLAUCHBEFESTIGUNG | LISTÓN AJUSTE TUBO           |
| 25   |     | 60190424 |      | VITE Ø 4,8x16 AUTOF.TC UNI 6954  | SCREW                     | VIS                         | SCHRAUBE                   | TORNILLO                     |
| 26   |     | 47210080 | 1    | MOLLA COMPR. 8,2x1x16,5 INOX     | COMPRESSION SPRING INOX   | RESSORT DE COMPR. INOX      | DRUCKFEDER INOX            | RESORTE DE COMPR. INOX       |
| 27   |     | 60110618 |      | VITE M6x30 TE UNI 5739           | SCREW                     | VIS                         | SCHRAUBE                   | TORNILLO                     |
| 28   |     | 61820002 | 1    | LEVA DI BLOCCAGGIO M6 MOD.KFB-42 | BLOCKING LEVER            | LEVIER DE BLOCAGE           | BLOCKIERUNGSHEBEL          | PALANCA DE BLOQUEO           |
| 29   |     | 20110040 | 1    | CALOTTA FILTRO                   | FILTER CAP                | CALOTTE DE FILTRE           | FILTERKAPPE                | TAPA DE FILTRO               |
| 30   |     | 47800010 | 1    | GUARNIZIONE CALOTTA FILTRO       | GASKET FILTER CAP         | JOINT CALOTTE DE FILTRE     | DICHTUNG FILTERKAPPE       | GUARNICIÓN TAPA FILTRO       |
| 31   |     | 20110060 | 1    | ASTA CON PIATTELLO               | ROD WITH PLATE            | TIGE AVEC RONDELLE PROTECT. | STANGE MIT SCHEIBE         | VARILLA CON PLATILLO         |
| 32   |     | 20110070 | 1    | GALLEGGIANTE Ø 60                | FLOAT                     | FLOTTEUR                    | SCHWIMMER                  | FLOTADOR                     |
| 33   |     | 47900010 | 1    | FILTRO GALLEGGIANTE              | FILTER FLOAT              | FILTRE DE FLOTTEUR          | SCHWIMMERFILTER            | FILTRO DE FLOTADOR           |
| 34   |     | 20110050 | 1    | PROTEZIONE FILTRO                | FILTER PROTECTION         | PROTECTION DE FILTRE        | FILTERSCHUTZ               | PROTECCIÓN DE FILTRO         |
| 35   |     | 47610150 | 1    | TUBO Ø 38,2x1800 ASPIRATORE      | SUCTION HOSE              | TUYAU D'ASPIRATION          | SAUGSCHLAUCH               | TUBO DE ASPIRACIÓN           |
| 36   |     | 20610090 | 1    | BASE CUFFIA ASPIRATORE           | SUCTION MOTOR BASE        | BASE MOTEUR D'ASPIRATION    | BASIS SAUGMOTOR            | BASE MOTOR DE ASPIRACIÓN     |
| 37   |     | 62320020 | 1    | RACCORDO CURVO 90° Ø 38          | BENT FITTING              | RACCORD COURBE              | ECKANSCHLUSS               | RACOR CURVO                  |
| 38   |     | 62320030 | 1    | RACCORDO CURVO 90° Ø 32          | BENT FITTING              | RACCORD COURBE              | ECKANSCHLUSS               | RACOR CURVO                  |
| 39   |     | 47610160 | 1    | TUBO Ø 32x800                    | HOSE                      | TUYAU                       | SCHLAUCH                   | TUBO DE GOMA                 |
| 41   |     | 49330050 | 1    | MOTORE ASPIRAZIONE 36V 1900      | SUCTION MOTOR             | MOTEUR D'ASPIRATION         | SAUGMOTOR                  | MOTOR DE ASPIRACIÓN          |
| 42   |     | V0610004 | 1    | ASSIEME ASPIRATORE               | SUCTION MOTOR ASSEMBLY    | GROUPE DE MOTEUR D'ASP.     | GRUPPE SAUGMOTOR           | GRUPO MOTOR DE ASPIRACIÓN    |
| 43   |     | 47306120 | 1    | SERBATOIO RECUPERO               | RECOVERY TANK             | RESERVOIR DE RECUPERATION   | SCHMUTZWSSERTANK           | DEPÓSITO DE RECUPERACIÓN     |





## GRUPPO IDRICO

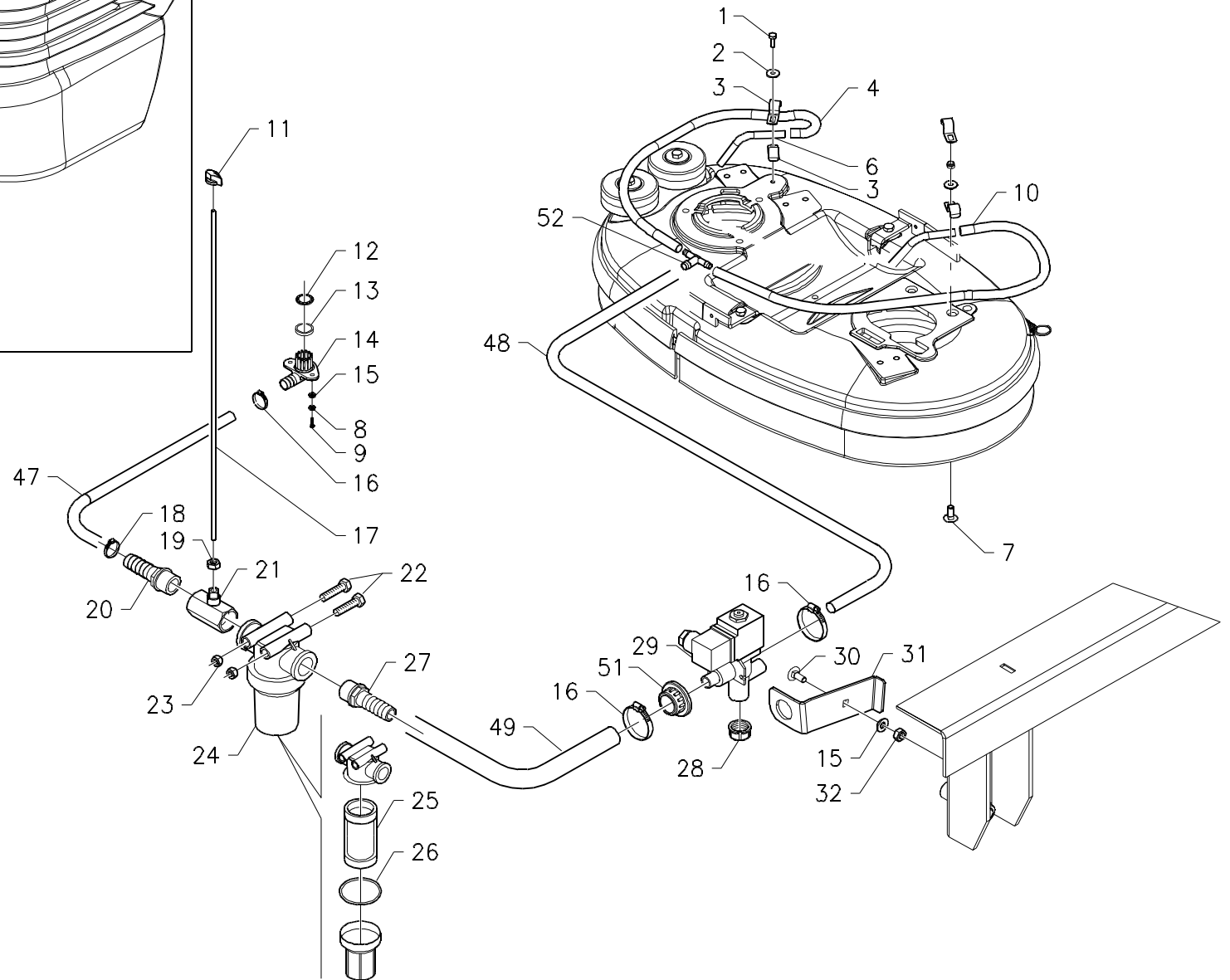
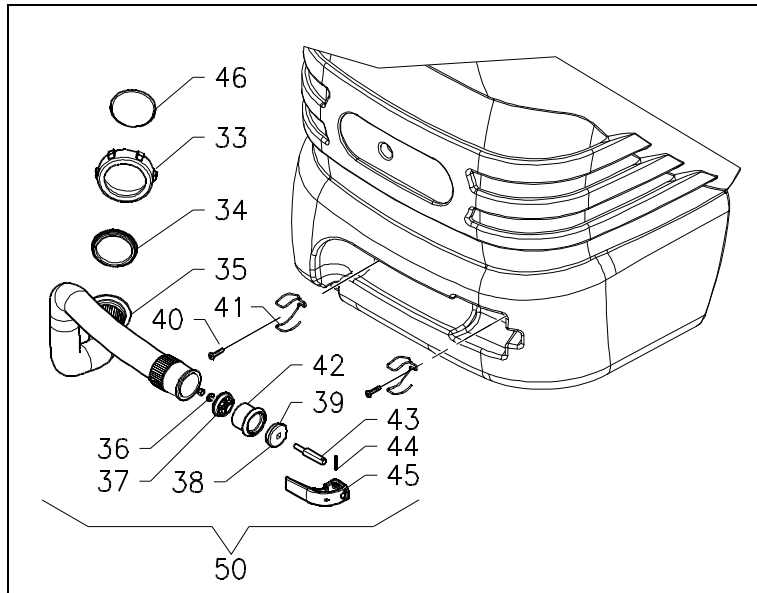
WATER UNIT ASSEMBLY • GROUPE HYDRIQUE • WASSERGRUPPE • GRUPO HÍDRICO

08

| Pos. | S/N          | Codice   | Q.tà | Denominazione                          | Description                | Description               | Benennung                  | Descripción                 |
|------|--------------|----------|------|--|----------------------------|---------------------------|----------------------------|-----------------------------|
| 1    |              | 60110608 |      | VITE M6x16 TE UNI 5739                 | SCREW                      | VIS                       | SCHRAUBE                   | TORNILLO                    |
| 2    |              | 60306007 |      | ROSETTA 6x18x1,5 UNI 6593              | WASHER                     | RONDELLE                  | UNTERLAGSCHEIBE            | ARANDELA                    |
| 3    |              | 61940001 | 5    | GRAFFETTA PER TUBO DIAM.16-17          | HOSE CLIP                  | PATTE DI FIXATION TUYAU   | SCHLAUCHBÜGEL              | ABRAZADERA TUBO DE GOMA     |
| 4    |              | 47630220 | 1    | TUBO Ø 10x720 (S65) SPIRALE<br>ACCIAIO | HOSE                       | TUYAU                     | SCHLAUCH                   | TUBO DE GOMA                |
|      |              | 47630270 |      | TUBO Ø 10x960 (S85) SPIRALE<br>ACCIAIO | HOSE                       | TUYAU                     | SCHLAUCH                   | TUBO DE GOMA                |
| 6    |              | 20302110 | 2    | TUBO USCITA ACQUA                      | WATER OUTLET PIPE          | TUBE DE SORTIE D'EAU      | WASSERAUSGANGSROHR         | TUBO SALIDA DE AGUA         |
| 7    |              | 60100601 |      | VITE M6x16 TTQST UNI 5732              | SCREW                      | VIS                       | SCHRAUBE                   | TORNILLO                    |
| 8    |              | 60506004 |      | RONDELLA 6x2,5x1,8 GROWER              | LOCK WASHER                | RONDELLE FREIN            | ZAHNSCHEIBE                | ARANDELA DENTADA            |
| 9    |              | 60110608 |      | VITE M6x16 TE UNI 5739                 | SCREW                      | VIS                       | SCHRAUBE                   | TORNILLO                    |
| 10   |              | 47630230 | 1    | TUBO Ø 10x480 (S65) SPIRALE<br>ACCIAIO | HOSE                       | TUYAU                     | SCHLAUCH                   | TUBO DE GOMA                |
|      |              | 47630260 |      | TUBO Ø 10x520 (S85) SPIRALE<br>ACCIAIO | HOSE                       | TUYAU                     | SCHLAUCH                   | TUBO DE GOMA                |
| 11   |              | 61810010 | 1    | MANOPOLA DI REGOLAZIONE MRI/45         | ADJUSTMENT KNOB            | POIGNEE DE REGLAGE        | HANDGRIFF VERSTELLUNG      | EMPUÑADURA DE REGLAJE       |
| 12   |              | 20310060 | 1    | COPERCHIO RACCORDO FLANGIATO           | FITTING COVER              | COUVERCLE DE RACCORD      | DECKEL VERSCHRAUBUNG       | TAPA DE RACOR               |
| 13   |              | 62370004 | 1    | GUARNIZIONE Ø 30x36x4                  | GASKET                     | JOINT                     | DICHTUNG                   | JUNTA                       |
| 14   |              | 20310070 | 1    | RACCORDO FLANGIATO                     | FLANGED FITTING            | RACCORD A BRIDE           | GEFLANSCHTE VERSCHRAUBUNG  | RACOR EMPALMADO             |
| 15   |              | 60306007 |      | ROSETTA 6x18x1,5 UNI 6593              | WASHER                     | RONDELLE                  | UNTERLAGSCHEIBE            | ARANDELA                    |
| 16   |              | 61930002 |      | FASCETTA STRINGITUBO MM.15-<br>24x12   | CLAMP HOSE WRENCH          | COLLIER SERRE-TUYAU       | BRIDE SCHLAUCHKLEMME       | ABRAZADERA BLOQUEO TUBO     |
| 17   |              | 20610020 | 1    | ASTA COMANDO RUBINETTO                 | ROD SOLUTION VALVE CONTROL | TIGE COMMANDE DE ROBINET  | STANGE WASSERHAHN BETÄTIG. | VARILLO MANDO DE GRIFO      |
| 18   |              | 61930002 |      | FASCETTA STRINGITUBO MM.15-<br>24x12   | CLAMP HOSE WRENCH          | COLLIER SERRE-TUYAU       | BRIDE SCHLAUCHKLEMME       | ABRAZADERA BLOQUEO TUBO     |
| 19   |              | 60210608 |      | DADO M6 H5 UNI 5588-ISO4032            | NUT                        | ECROU                     | MUTTER                     | TUERCA                      |
| 20   |              | 62340100 | 1    | PORTAGOMMA DIRITTO M. 1/2"x20          | STRAIGHT FITTING           | RACCORD DROIT             | SCHLAUCHANSCHLUSS GERADE   | EMPALME RECTO               |
| 21   |              | 62310002 | 1    | CORPO RUBINETTO 1/2" F.F.              | SOLUTION VALVE BODY        | CORPS DU ROBINET          | KÖRPER WASSERHAHN          | CUERPO GRIFO                |
| 22   |              | 60110834 |      | VITE M8x75 TE UNI 5737                 | SCREW                      | VIS                       | SCHRAUBE                   | TORNILLO                    |
| 23   |              | 60220801 |      | DADO M8 H8,5 AUTOBL. UNI 7474          | LOCK NUT                   | ECROU AUTOBLOQUANT        | STOPMUTTER                 | TUERCA AUTOBLOQUEANTE       |
| 24   |              | 47900020 | 1    | FILTRO 1/2" F.F. 32 MESH               | FILTER                     | FILTRE                    | FILTER                     | FILTRO                      |
| 25   |              | 47900030 | 1    | CARTUCCIA FILTRO (32MESH)              | FILTER CARTRIDGE           | CARTOUCHE DE FILTRE       | FILTEREINSATZ              | CARTUCHO FILTRO             |
| 26   |              | 47900040 | 1    | GUARNIZIONE FILTRO                     | FILTER GASKET              | JOINT DE FILTRE           | FILTERDICHTUNG             | JUNTA DE FILTRO             |
| 27   |              | 62340080 | 1    | PORTAGOMMA DIRITTO-M.1/2 x16           | STRAIGHT FITTING           | RACCORD DROIT             | SCHLAUCHANSCHLUSS GERADE   | EMPALME RECTO               |
| 28   |              | 62030003 | 1    | PUNTALE TT18 (FORO 16-17)              | CAP                        | CAPUCHON                  | KAPPE                      | TAPÓN                       |
| 29   |              | 47533010 | 1    | ELETTRIVALVOLA 36V DC 1/2 2 VIE        | SOLENOID VALVE             | ELECTROVANNE              | MAGNETVENTIL               | ELECTROVÁLVULA              |
| 30   |              | 60100601 |      | VITE M6x16 TTQST UNI 5732              | SCREW                      | VIS                       | SCHRAUBE                   | TORNILLO                    |
| 31   |              | 20601020 | 1    | STAFFA ELETTRIVALVOLA                  | SUPPORT SOLENOID VALVE     | ATTAQUE D'ELECTROVANNE    | BÜGEL MAGNETVENTIL         | SOPORTE ELECTROVÁLVULA      |
| 32   |              | 60220601 |      | DADO M6 H6 AUTOBL. UNI 7474            | LOCK NUT                   | ECROU AUTOBLOQUANT        | STOPMUTTER                 | TUERCA AUTOBLOQUEANTE       |
| 33   |              | 62340090 | 1    | GHIERA M73x4 TUBO SCARICO              | RING NUT EXHAUST HOSE      | EMBOUT TUYAU DE VIDANGE   | NUTMUTTER ABWASSERSCHL.    | TUERCA ANULAR TUBO DE DESC. |
| 34   |              | 20610060 | 1    | FLANGIA TUBO SCARICO                   | FLANGE EXHAUST HOSE        | FLASQUE TUYAU DE VIDANGE  | FLANSCH ABWASSERSCHLAUCH   | BRIDA TUBO DE DESCARGA      |
| 35   | > 06001641 < | 47610100 | 1    | TUBO Ø 50,1x650 SCARICO                | EXHAUST HOSE               | TUYAU DE VIDANGE          | ABWASSERSCHLAUCH           | TUBO DE DESCARGA            |
| 35   | 06001642     | 47610240 | 1    | TUBO SCARICO NERA                      | EXHAUST HOSE               | TUYAU DE VIDANGE          | ABWASSERSCHLAUCH           | TUBO DE DESCARGA            |
| 36   |              | 60220604 |      | DADO M6 H8 AUTOBL. UNI 7473 INOX       | LOCK NUT INOX              | ECROU AUTOBLOQUANT INOX   | STOPMUTTER INOX            | TUERCA AUTOBLOQUEANTE INOX  |
| 37   |              | 20110140 |      | FONDELLO TAPPO SCARICO Ø 39            | BOTTOM EXHAUST PLUG        | FOND BOUCHON VIDANGE      | BODEN ABLASSPFROPFEN       | FONDO TAPÓN DESCARGA        |
| 38   |              | 20110130 | 1    | COPERCHIO TAPPO SCARICO Ø 39           | COVER EXHAUST PLUG         | COUVERCLE BOUCHON VIDANGE | DECKEL ABLASSPFROPFEN      | TAPA TAPÓN DESCARGA         |

|    |          |   |                                |                      |                               |                         |                           |
|----|----------|---|--------------------------------|----------------------|-------------------------------|-------------------------|---------------------------|
| 39 | 20610040 | 1 | GOMMA TAPPO SCARICO Ø 50       | RUBBER EXHAUST PLUG  | GOMME BOUCHON VIDANGE         | GUMMI ABLASSPFROPFEN    | GOMA TAPÓN DESCARGA       |
| 40 | 60180603 |   | VITE M6x16 TPSEI UNI 5933 INOX | SCREW INOX           | VIS INOX                      | SCHRAUBE INOX           | TORNILLO INOX             |
| 41 | 47230080 | 2 | MOLLA AGGANCIO MANICOTTO       | SPRING MUFF COUPLER  | RESSORT D'ACCROCH.<br>MANCHON | ARRETIERUNGSFEDER MUFFE | RESORTE ENGANCHE MANGUITO |
| 42 | 60306008 |   | ROSETTA 6x18x1,5 UNI 6593 INOX | SCREW INOX           | VIS INOX                      | SCHRAUBE INOX           | TORNILLO INOX             |
| 43 | 20110170 | 1 | TIRANTE TAPPO SCARICO Ø 39     | TIE ROD EXHAUST PLUG | TIRANT BOUCHON DE VIDANGE     | GESTÄNGE ABLASSPFROPFEN | TIRANTE TAPÓN DESCARGA    |



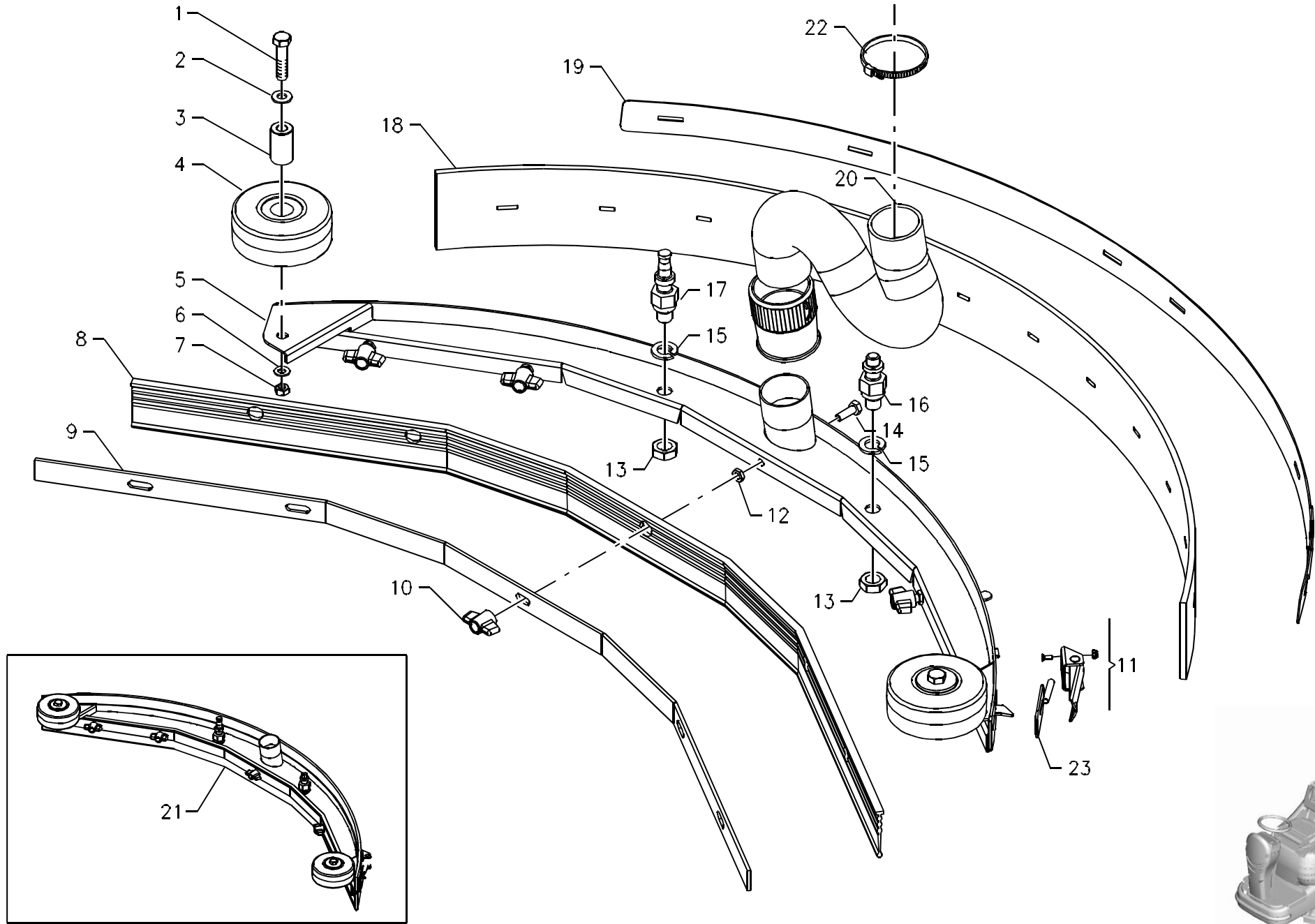


**GRUPPO IDRICO**

WATER UNIT ASSEMBLY • GROUPE HYDRIQUE • WASSERGRUPPE • GRUPO HÍDRICO

08

| Pos. | S/N | Codice   | Q.tà | Denominazione              | Description           | Description               | Benennung                    | Descripción                |
|------|-----|----------|------|----------------------------|-----------------------|---------------------------|------------------------------|----------------------------|
| 44   |     | 60604004 | 1    | SPINA CILINDRICA 4x20 INOX | PARALLEL PIN INOX     | GOUPILLE CYLINDRIQUE INOX | ZYLINDERSTIFT INOX           | PASADOR CILÍNDRICO INOX    |
| 45   |     | 61820003 | 1    | MANETTA TAPPO SCARICO      | LEVER EXHAUST PLUG    | MANETTE BOUCHON VIDANGE   | HEBEL ABLASSPFROPFEN         | PALANCA TAPÓN DESCARGA     |
| 46   |     | 47800040 | 1    | GUARNIZIONE TUBO SCARICO   | GASKET EXHAUST HOSE   | JOINT TUYAU DE VIDANGE    | DICHTUNG<br>ABWASSERSCHLAUCH | JUNTA TUBO DE DESCARGA     |
| 47   |     | 47630250 | 1    | TUBO Ø 20x120              | HOSE                  | TUYAU                     | SCHLAUCH                     | TUBO DE GOMA               |
| 48   |     | 47630240 | 1    | TUBO Ø 14x370 (S65)        | HOSE                  | TUYAU                     | SCHLAUCH                     | TUBO DE GOMA               |
|      |     | 47630280 |      | TUBO Ø 14x340 (S85)        | HOSE                  | TUYAU                     | SCHLAUCH                     | TUBO DE GOMA               |
| 49   |     | 47630210 | 1    | TUBO Ø 14x160              | HOSE                  | TUYAU                     | SCHLAUCH                     | TUBO DE GOMA               |
| 50   |     | V0610001 | 1    | TAPPO SCARICO COMPLETO     | EXHAUST PLUG ASSEMBLY | BOUCHON DE VIDANGE COMPL. | ABLASSPROPFEN KOMPLETT       | TAPÓN DE DESCARGA COMPLETO |
| 51   |     | 62370001 | 1    | COLLARE ½"                 | COLLAR                | COLLIER                   | BUNDRING                     | COLLAR                     |
| 52   |     | 62320010 | 1    | RACCORDO A T               | T-FITTING             | RACCORD A T               | T-VERSCHRAUBUNG              | RACOR DE TRES BOCAS        |





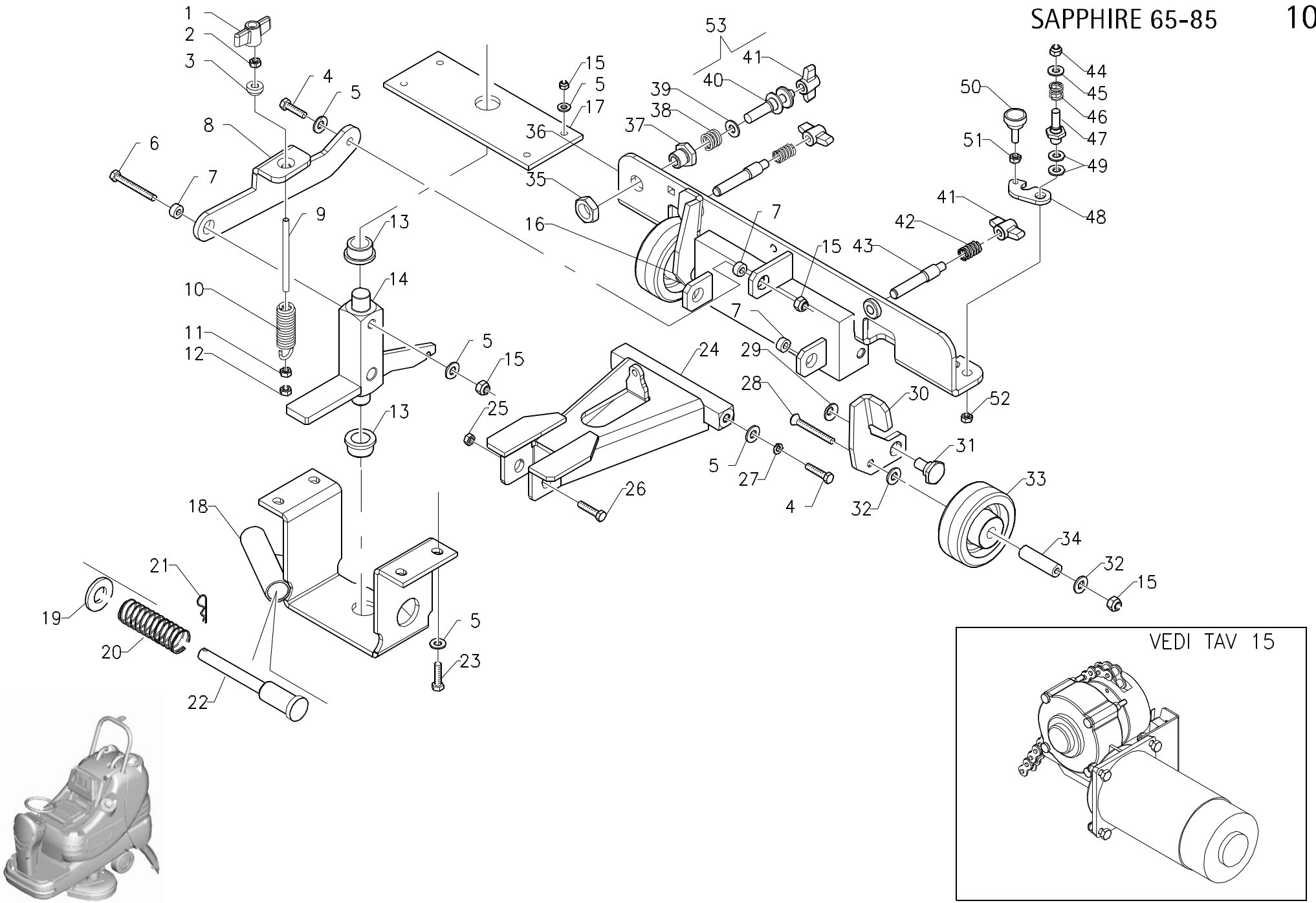
## GRUPPO TERGIPAVIMENTO

SQUEEGEE ASSEMBLY • ENSEMBLE DE SUCEUR • GRUPPE SAUGFUSS • GRUPO SISTEMA DE SECADO

09

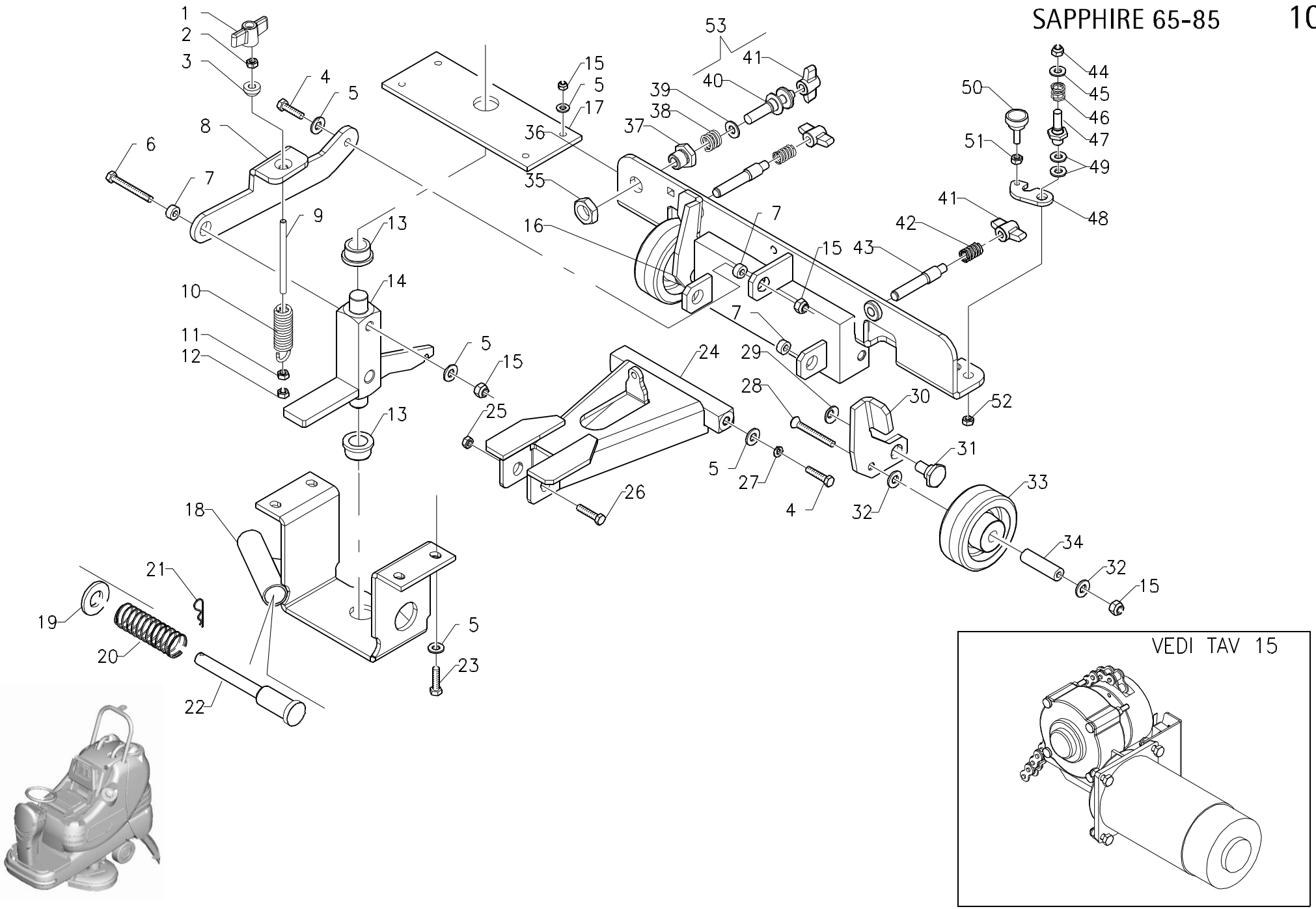
| Pos. | S/N      | Codice                            | Q.tà                    | Denominazione                    | Description                   | Description                    | Benennung                      | Descripción                    |                             |                               |
|------|----------|-----------------------------------|-------------------------|----------------------------------|-------------------------------|--------------------------------|--------------------------------|--------------------------------|-----------------------------|-------------------------------|
| 1    |          | 60110823                          |                         | VITE M8x45 TE UNI 5739           | SCREW                         | VIS                            | SCHRAUBE                       | TORNILLO                       |                             |                               |
| 2    |          | 60308009                          |                         | ROSETTA 8x32x2,5 UNI 6593        | WASHER                        | RONDELLE                       | UNTERLAGSCHEIBE                | ARANDELA                       |                             |                               |
| 3    |          | 47101040                          | 2                       | BOCCOLA                          | BUSHING                       | BAGUE                          | BUCHSE                         | CASQUILLO                      |                             |                               |
| 4    |          | 46541010                          | 2                       | RUOTA PARACOLPI Ø 80x30 GRIGIA   | BUMPER WHEEL GREY             | ROUE DE BUTEE GRISE            | ABWEISROLLE GRAU               | RUEDA PARACHOQUE GRIS          |                             |                               |
| 5    |          | 48206100                          | 1                       | CORPO TERGI MM 940 INOX (950)    | SQUEEGEE BODY INOX            | CORPS DE SUCEUR INOX           | SAUGFUSSKÖRPER INOX            | CUERPO SISTEMA DE SEC. INOX    |                             |                               |
|      |          | 48206110                          |                         | CORPO TERGI MM 940 FERRO (950)   | SQUEEGEE BODY IRON            | CORPS DE SUCEUR FER            | SAUGFUSSKÖRPER EISEN           | CUERPO SISTEMA DE SEC. HIERRO  |                             |                               |
|      |          | 48206050                          |                         | CORPO TERGI MM 1010 INOX (1050)  | SQUEEGEE BODY INOX            | CORPS DE SUCEUR INOX           | SAUGFUSSKÖRPER INOX            | CUERPO SISTEMA DE SEC. INOX    |                             |                               |
|      |          | 48206060                          |                         | CORPO TERGI MM 1010 FERRO (1050) | SQUEEGEE BODY IRON            | CORPS DE SUCEUR FER            | SAUGFUSSKÖRPER EISEN           | CUERPO SISTEMA DE SEC. HIERRO  |                             |                               |
|      |          | 48206010                          |                         | CORPO TERGI MM 1110 INOX (1150)  | SQUEEGEE BODY INOX            | CORPS DE SUCEUR INOX           | SAUGFUSSKÖRPER INOX            | CUERPO SISTEMA DE SEC. INOX    |                             |                               |
|      | 48206020 | CORPO TERGI MM 1110 FERRO (1150)  | SQUEEGEE BODY IRON      | CORPS DE SUCEUR FER              | SAUGFUSSKÖRPER EISEN          | CUERPO SISTEMA DE SEC. HIERRO  |                                |                                |                             |                               |
| 6    |          | 60308004                          |                         | ROSETTA 8x17x1,6 UNI 6592HH      | WASHER                        | RONDELLE                       | UNTERLAGSCHEIBE                | ARANDELA                       |                             |                               |
| 7    |          | 60220801                          |                         | DADO M8 AUTOBL. UNI 7474 DIN 985 | LOCK NUT                      | ECROU AUTOBLOQUANT             | STOPMUTTER                     | TUERCA AUTOBLOQUEANTE          |                             |                               |
| 8    |          | 48403020                          | 1                       | GOMMA ANTERIORE TERGI 1057x45    | FRONT SQUEEGEE RUBBER         | BAVETTE AVANT DE SUCEUR        | VORDERER SAUGGUMMI             | LABIO DELANTERO SIST. DE SEC.  |                             |                               |
|      |          | 48403060                          |                         | GOMMA ANTERIORE TERGI 1120x45    |                               |                                |                                |                                |                             |                               |
|      |          | 48403110                          |                         | GOMMA ANTERIORE TERGI 1194x45    |                               |                                |                                |                                |                             |                               |
| 9    |          | 48306110                          | 1                       | LAMA ANT. TERGI 940 INOX 950     | FRONT RUBBER BLADE INOX       | LAME BAVETTE AVANT INOX        | GUMMILEISTE VORNE, INOX        | LISTÓN LABIO DELANTERO, INOX   |                             |                               |
|      |          | 48306120                          |                         | LAMA ANT. TERGI 940 FERRO 950    | FRONT RUBBER BLADE IRON       | LAME BAVETTE AVANT FER         | GUMMILEISTE VORNE, EISEN       | LISTÓN LABIO DELANTERO HIERRO  |                             |                               |
|      |          | 48306060                          |                         | LAMA ANT. TERGI 1010 INOX 1050   | FRONT RUBBER BLADE INOX       | LAME BAVETTE AVANT INOX        | GUMMILEISTE VORNE, INOX        | LISTÓN LABIO DELANTERO, INOX   |                             |                               |
|      |          | 48306070                          |                         | LAMA ANT. TERGI 1010 FERRO 1050  | FRONT RUBBER BLADE IRON       | LAME BAVETTE AVANT FER         | GUMMILEISTE VORNE, EISEN       | LISTÓN LABIO DELANTERO, HIERRO |                             |                               |
|      |          | 48306020                          |                         | LAMA ANT. TERGI 1110 INOX 1150   | FRONT RUBBER BLADE INOX       | LAME BAVETTE AVANT INOX        | GUMMILEISTE VORNE, INOX        | LISTÓN LABIO DELANTERO, INOX   |                             |                               |
|      | 48306030 | LAMA ANT. TERGI 1110 FERRO 1150   | FRONT RUBBER BLADE IRON | LAME BAVETTE AVANT FER           | GUMMILEISTE VORNE, EISEN      | LISTÓN LABIO DELANTERO, HIERRO |                                |                                |                             |                               |
| 10   |          | 61706004                          | 4                       | GALLETTO GB 34 M6 INOX           | WING NUT INOX                 | ECROU PAPILLON INOX            | FLÜGELMUTTER INOX              | MARIPOSA INOX                  |                             |                               |
| 11   |          | 62200001                          | 1                       | GANCIO LEVA 70-25                | LEVER HOOK                    | CROCHET A LEVIER               | HAKEN MIT HEBEL                | GANCHO CON PALANCA             |                             |                               |
| 12   |          | 60210601                          |                         | DADO M6 H3 DIN 439 INOX          | NUT INOX                      | ECROU INOX                     | MUTTER INOX                    | TUERCA INOX                    |                             |                               |
| 13   |          | 60211201                          |                         | DADO M12 H7 UNI 5589             | NUT                           | ECROU                          | MUTTER                         | TUERCA                         |                             |                               |
| 14   |          | 60110610                          |                         | VITE M6x18 TE UNI 5739           | SCREW                         | VIS                            | SCHRAUBE                       | TORNILLO                       |                             |                               |
| 15   |          | 60512004                          |                         | ROSETTA 12 GROWER DIN 7980       | LOCK WASHER                   | RONDELLE FREIN                 | ZAHNSCHEIBE                    | ARANDELA DENTADA               |                             |                               |
| 16   |          | 20604020                          | 1                       | COLONNETTA SINISTRA              | STUD BOLT LEFT                | TIGE GAUCHE                    | GEWINDEBOLZEN LINKS            | PRISIONERO IZQUIERDO           |                             |                               |
| 17   |          | 20604010                          | 1                       | COLONNETTA DESTRA                | STUD BOLT RIGHT               | TIGE DROITE                    | GEWINDEBOLZEN RECHTS           | PRISIONERO DERECHO             |                             |                               |
| 18   |          | 48406100                          | 1                       | GOMMA POST. 1135x75x6 40SH 950   | REAR SQUEEGEE RUBBER          | BAVETTE ARRIERE SUCEUR         | HINTERER SAUGGUMMI             | LABIO TRASERO SISTEMA DE SEC.  |                             |                               |
|      |          | 48406110                          |                         | GOMMA POST. 1135x75x6 ANTIOLIO   | REAR SQUEEGEE RUBBER,OIL-RES. |                                | BAVETTE ARR. SUC., ANTI-HUILLE |                                | HINTERER SAUGG.             | LABIO TRASERO ANTI-ACEITE     |
|      |          | 48406050                          |                         | GOMMA POST. 1198x75x6 40SH 1050  | REAR SQUEEGEE RUBBER          |                                | BAVETTE ARRIERE SUCEUR         |                                | ÖLBEST ÄNDIG                | LABIO TRASERO SISTEMA DE SEC. |
|      |          | 48406080                          |                         | GOMMA POST. 1198x75x6 ANTIOLIO   | REAR SQUEEGEE RUBBER,OIL-RES. |                                | BAVETTE ARR. SUC., ANTI-HUILLE |                                | HINTERER SAUGGUMMI          | LABIO TRASERO ANTI-ACEITE     |
|      |          | 48406010                          |                         | GOMMA POST. 1290x75x6 40SH 1050  | REAR SQUEEGEE RUBBER          |                                | BAVETTE ARRIERE SUCEUR         |                                | HINTERER SAUGG. ÖLBESTÄNDIG | LABIO TRASERO SISTEMA DE SEC. |
|      | 48406020 | GOMMA POST. 1290x75x6 POST. 33 SH | REAR SQUEEGEE RUBBER    | BAVETTE ARRIERE SUCEUR           | HINTERER SAUGGUMMI            | LABIO TRASERO SISTEMA DE SEC.  |                                |                                |                             |                               |
| 19   |          | 48306100                          | 1                       | LAMA POST. TERGI MM 940 (950)    | REAR RUBBER BLADE             | LAME BAVETTE ARRIERE           | HINTERE GUMMILEISTE            | LISTÓN LABIO TRASERO           |                             |                               |
|      |          | 48306050                          |                         | LAMA POST. TERGI MM 1010 (1050)  |                               |                                |                                |                                |                             |                               |
|      |          | 48306010                          |                         | LAMA POST. TERGI MM 1110 (1150)  |                               |                                |                                |                                |                             |                               |
| 20   |          | 47610120                          | 1                       | TUBO Ø 38,1x1850 TERGIPAVIMENTO  | SQUEEGEE HOSE                 | TUYAU DE SUCEUR                | SCHLAUCH SAUGFUSS              | TUBO SISTEMA DE SECADO         |                             |                               |
| 21   |          | V8206110                          | 1                       | ASSIEME TERGIPAVIM. MM.950 FE    | SQUEEGEE ASSEMBLY IRON        | SUCEUR COMPLET FER             | SAUGFUSS KOMPLETT EISEN        | SISTEMA DE SEC. COMPL. HIERRO  |                             |                               |
|      |          | V8206060                          |                         | ASSIEME TERGIPAVIM. MM.1050 FE   |                               |                                |                                |                                |                             |                               |
|      |          | V8206020                          |                         | ASSIEME TERGIPAVIM. MM.1150 FE   |                               |                                |                                |                                |                             |                               |
| 22   |          | 61910004                          | 1                       | FASCETTA MM. 4,8x290 NERA        | CLAMP                         | COLLIER                        | BRIDE                          | ABRAZADERA                     |                             |                               |
| 23   |          | 20104010                          | 1                       | REGISTRO LAMA POSTERIORE         | ADJUSTER REAR BLADE           | REGISTRE LAME ARRIERE          | REGULIERUNG HINTERE LEISTE     | REGULADOR LISTÓN TRASERO       |                             |                               |
| 24   |          | 60170303                          |                         | VITE M3x8 TPS DIN 965 INOX       | SCREW INOX                    | VIS INOX                       | SCHRAUBE INOX                  | TORNILLO INOX                  |                             |                               |





| Pos. | S/N | Codice   | Q.tà | Denominazione                       | Description                 | Description                 | Benennung                 | Descripción                 |
|------|-----|----------|------|-------------------------------------|-----------------------------|-----------------------------|---------------------------|-----------------------------|
| 1    |     | 61706003 | 1    | GALLETTO GB 48 M6                   | WING NUT                    | ECROU PAPILLON              | FLÜGELMUTTER              | MARIPOSA                    |
| 2    |     | 60210601 |      | DADO M6 H3 DIN 439 INOX             | NUT INOX                    | ECROU INOX                  | MUTTER INOX               | TUERCA INOX                 |
| 3    |     | 47106030 | 1    | BOCCOLA                             | BUSHING                     | BAGUE                       | BUCHSE                    | CASQUILLO                   |
| 4    |     | 60110809 |      | VITE M8x25 TE UNI 5739              | SCREW                       | VIS                         | SCHRAUBE                  | TORNILLO                    |
| 5    |     | 60309002 |      | ROSETTA 9x24x2 UNI 6593             | WASHER                      | RONDELLE                    | UNTERLAGSCHEIBE           | ARANDELA                    |
| 6    |     | 60110824 |      | VITE M8x50 TE UNI 5737              | SCREW                       | VIS                         | SCHRAUBE                  | TORNILLO                    |
| 7    |     | 47103080 | 3    | BOCCOLA                             | BUSHING                     | BAGUE                       | BUCHSE                    | CASQUILLO                   |
| 8    |     | 20605040 | 1    | BRACCIO TERZO PUNTO                 | ARM                         | BRAS                        | ARM                       | BRAZO                       |
| 9    |     | 20205040 | 1    | TIRANTE M6x85 INOX                  | TIE ROD INOX                | TIRANT INOX                 | ZUGSTANGE INOX            | TIRANTE INOX                |
| 10   |     | 47220030 | 1    | MOLLA TRAZ. 21x3,2x76 - 1 OCCHIO    | TRACTION SPRING             | RESSORT DE TRACTION         | ZUGFEDER                  | RESORTE DE TRACCIÓN         |
| 11   |     | 60210607 |      | DADO M6 H6 UNI 5587                 | NUT                         | ECROU                       | MUTTER                    | TUERCA                      |
| 12   |     | 60220601 |      | DADO M6 H6 AUTOBL. UNI 7474         | LOCK NUT                    | ECROU AUTOBLOQUANT          | STOPMUTTER                | TUERCA AUTOBLOQUEANTE       |
| 13   |     | 47103090 |      | BOCCOLA                             | BUSHING                     | BAGUE                       | BUCHSE                    | CASQUILLO                   |
| 14   |     | 20605020 | 1    | SNODO BRACCIO TERGIPAVIMENTO        | ARM JOINT                   | JOINT DE BRAS               | ARMGELENK                 | ARTICULACIÓN BRAZO          |
| 15   |     | 60220801 |      | DADO M8 H8,5 AUTOBL. UNI 7474       | LOCK NUT                    | ECROU AUTOBLOQUANT          | STOPMUTTER                | TUERCA AUTOBLOQUEANTE       |
| 16   |     | 20605050 | 1    | STAFFA RUOTINA DX                   | WHEEL SUPPORT RIGHT         | ATTAQUE DE ROUE DROITE      | RADHALTERUNG RECHTS       | SOPORTE RUEDA DERECHA       |
| 17   |     | 20301050 | 1    | PIASTRA SNODO BRACCIO               | PLAQUE ARM JOINT            | PLAQUE DE JOINT BRAS        | AUFLAGE ARMGELENK         | PLACA ARTICULACIÓN BRAZO    |
| 18   |     | 20601010 | 1    | STAFFA SNODO BRACCIO                | SUPPORT ARM JOINT           | SUPPORT DE JOINT BRAS       | HALTERUNG ARMGELENK       | SOPORTE ARTICULACIÓN BRAZO  |
| 19   |     | 60313002 |      | ROSETTA 13x24x2,5 UNI 6592          | WASHER                      | RONDELLE                    | UNTERLAGSCHEIBE           | ARANDELA                    |
| 20   |     | 47210180 | 1    | MOLLA COMPR. 20x3x80 DX             | COMPRESSION SPRING          | RESSORT DE COMPRESSION      | DRUCKFEDER                | RESORTE DE COMPRESIÓN       |
| 21   |     | 60800003 | 1    | SPILLO Ø 2,4x48                     | CLIP                        | EPINGLE                     | SPLINT                    | ESPIGA                      |
| 22   |     | 20605070 | 1    | PULSANTE COM. TERGIPAVIMENTO        | PUSH BUTTON SQUEEGEE CONTR. | BOUTON POUSSOIR COMM.SUC.   | DRUCKKNOPF SAUGFUSSBETÄT. | PULSADOR MANDO SIST. SECADO |
| 23   |     | 60110811 |      | VITE M8x30 TE UNI 5739              | SCREW                       | VIS                         | SCHRAUBE                  | TORNILLO                    |
| 24   |     | 20605010 | 1    | BRACCIO TERGIPAVIMENTO              | SQUEEGEE ARM                | BRAS DE SUCEUR              | SAUGFUSSARM               | BRAZO SISTEMA DE SECADO     |
| 25   |     | 60221201 |      | DADO M12x1,75 H12 AUTOBL.UNI7474    | LOCK NUT                    | ECROU AUTOBLOQUANT          | STOPMUTTER                | TUERCA AUTOBLOQUEANTE       |
| 26   |     | 60111210 |      | VITE M12x60 TE UNI 5737             | SCREW                       | VIS                         | SCHRAUBE                  | TORNILLO                    |
| 27   |     | 60508001 |      | RONDELLA 8 GROWER DIN 127B          | LOCK WASHER                 | RONDELLE FREIN              | ZAHNSCHEIBE               | ARANDELA DENTADA            |
| 28   |     | 60110829 |      | VITE M8x60 TE UNI 5737 DIN 931(8.8) | SCREW                       | VIS                         | SCHRAUBE                  | TORNILLO                    |
| 29   |     | 60510004 |      | RONDELLA CON. Ø 10,5x26x1 DENT. I.  | CONICAL WASHER              | RONDELLE CONIQUE            | KONISCHE UNTERLAGSCHEIBE  | ARANDELA CÓNICA             |
| 30   |     | 20605060 | 1    | STAFFA RUOTINA SN                   | WHEEL SUPPORT LEFT          | ATTAQUE DE ROUE GAUCHE      | RADHALTERUNG LINKS        | SOPORTE RUEDA IZQUIERDO     |
| 31   |     | 20305100 | 1    | PERNO STAFFA RUOTINA                | PIN WHEEL SUPPORT           | AXE SUPPORT DE ROUE         | BOLZEN RADHALTERUNG       | PERNO SOPORTE RUEDA         |
| 32   |     | 60309002 |      | ROSETTA 9x24x2 UNI 6593             | WASHER                      | RONDELLE                    | UNTERLAGSCHEIBE           | ARANDELA                    |
| 33   |     | 46511030 | 2    | RUOTA Ø 80x30 GOMMA                 | RUBBER WHEEL                | ROUE CAOUTCHOUC             | GUMMIRAD                  | RUEDA DE GOMA               |
| 34   |     | 47103140 | 2    | BOCCOLA INOX PER RUOTA              | BUSHING INOX                | BAGUE INOX                  | BUCHSE INOX               | CASQUILLO INOX              |
| 35   |     | 60211602 |      | DADO M16x1,5 UNI 5589 INOX          | NUT INOX                    | ECROU INOX                  | MUTTER INOX               | TUERCA INOX                 |
| 36   |     | 20605030 | 1    | ATTACCO TERGIPAVIMENTO              | SQUEEGEE SUPPORT            | SUPPORT DE SUCEUR           | SAUGFUSSHALTERUNG         | SOPORTE SISTEMA DE SECADO   |
| 37   |     | 47101060 | 1    | BOCCOLA                             | BUSHING                     | BAGUE                       | BUCHSE                    | CASQUILLO                   |
| 38   |     | 47210030 | 1    | MOLLA COMPR. 16,6x2x22 INOX -SN     | COMPRESSION SPRING INOX     | RESSORT DE COMPRESSION INOX | DRUCKFEDER INOX           | RESORTE DE COMPRESIÓN INOX  |
| 39   |     | 60513001 |      | RONDELLA SCHNORR Ø 13x18 TIPO S     | WASHER                      | RONDELLE                    | UNTERLAGSCHEIBE           | ARANDELA                    |
| 40   |     | 20105070 | 1    | REGISTRO INCLINAZIONE TERGI         | INCLINATION ADJUSTER        | REGISTRE D'INCLINAISON      | VERSTELLUNG NEIGUNG       | REGULADOR INCLINACIÓN       |
| 41   |     | 61708002 | 3    | GALLETTO GB40 M8                    | WING NUT                    | ECROU PAPILLON              | FLÜGELMUTTER              | MARIPOSA                    |
| 42   |     | 47210170 | 2    | MOLLA COMPR. 17x1,8x43              | COMPRESSION SPRING          | RESSORT DE COMPRESSION      | DRUCKFEDER                | RESORTE DE COMPRESIÓN       |
| 43   |     | 20305090 | 2    | REGISTRO RUOTA                      | WHEEL ADJUSTER              | REGLAGE DE ROUE             | RADREGULIERUNG            | REGULADOR DE RUEDA          |

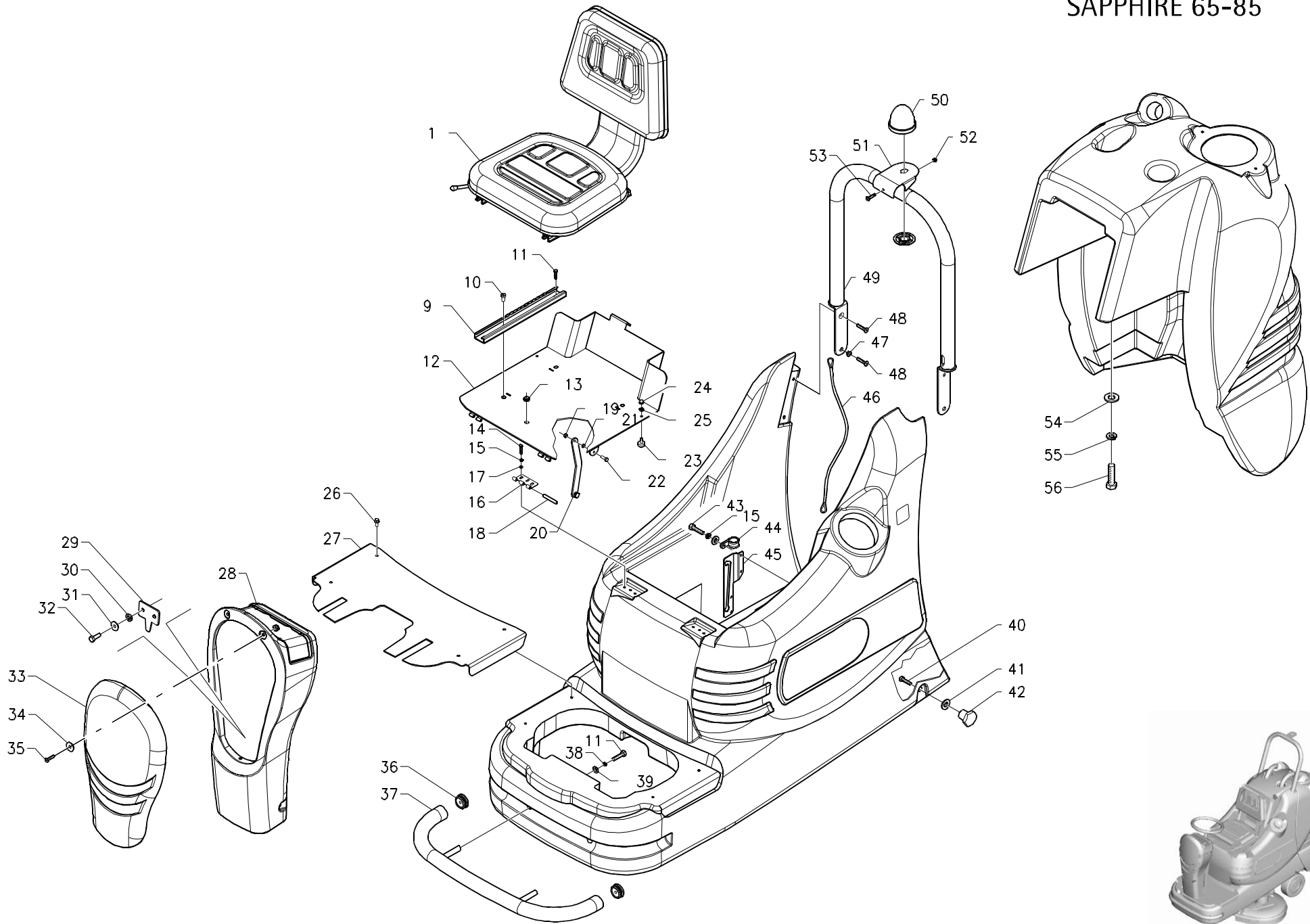




**GRUPPO COMANDO TERGIPAVIMENTO**

SQUEEGEE CONTROL ASSEMBLY • GROUPE COMMANDE DU SUCEUR • GRUPPE SAUGFUSSBETÄTIGUNG • GRUPO MANDO SISTEMA DE SECADO

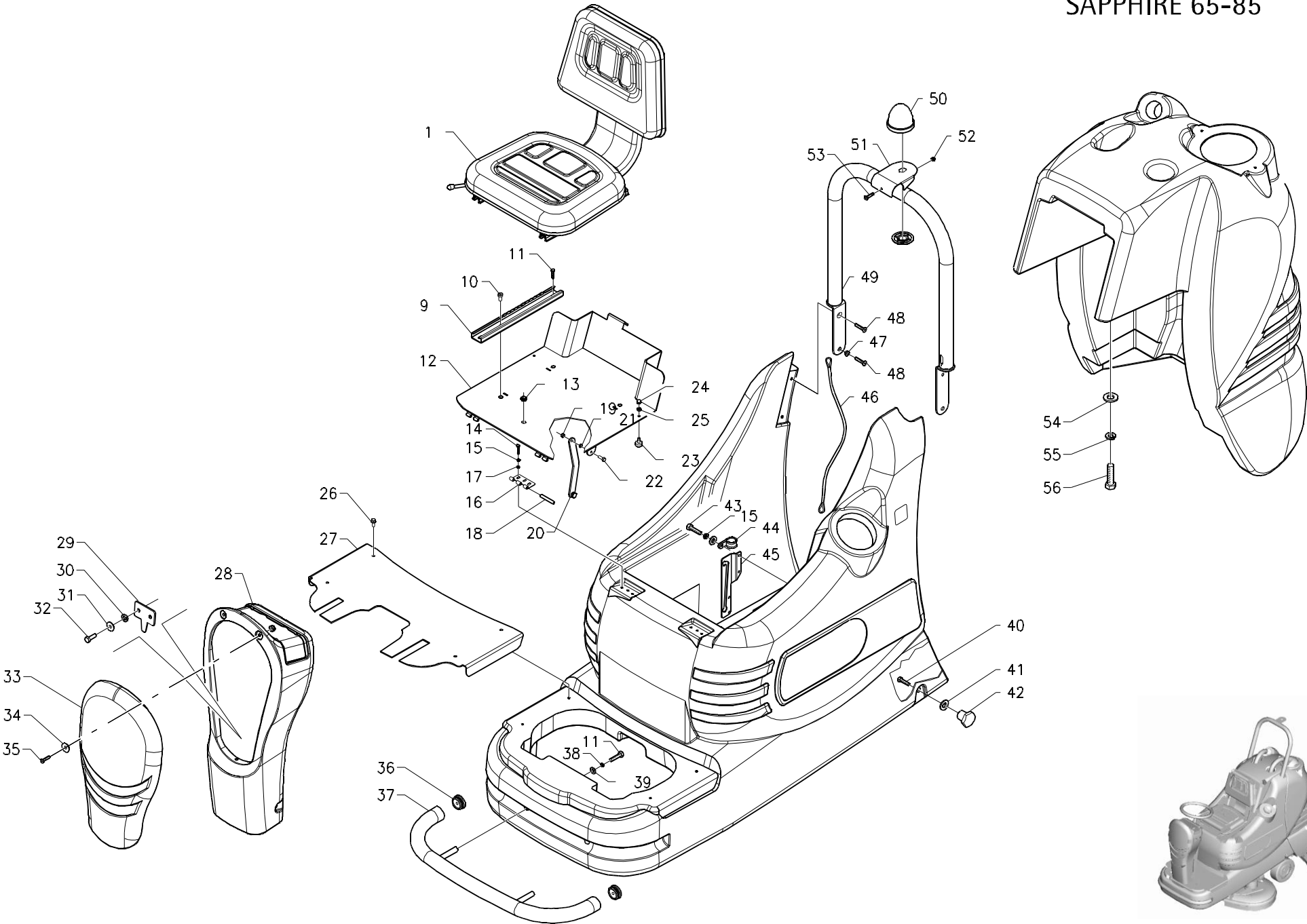
| Pos. | S/N | Codice   | Q.tà | Denominazione                  | Description               | Description                      | Benennung                     | Descripción                 |
|------|-----|----------|------|--------------------------------|---------------------------|----------------------------------|-------------------------------|-----------------------------|
| 44   |     | 60220802 |      | DADO M8 H8,5 AUTOBL. UNI 7474  | LOCK NUT                  | ECROU AUTOBLOQUANT               | STOPMUTTER                    | TUERCA AUTOBLOQUEANTE       |
| 45   |     | 60508004 |      | ROSETTA 8x17x1,6 UNI 6592      | WASHER                    | RONDELLE                         | UNTERLAGSCHEIBE               | ARANDELA                    |
| 46   |     | 47210020 | 1    | MOLLA COMPR. 13,6x1,6x13 INOX  | COMPRESSION SPRING INOX   | RESSORT COMPRESSION INOX         | DRUCKFEDER INOX               | RESORTE COMPRESIÓN INOX     |
| 47   |     | 20105060 | 1    | PERNO AGGANCIO                 | COUPLER PIN               | AXE D'ACCROCHAGE                 | ARRETIERUNGSBOLZEN            | PERNO DE ENGANCHE           |
| 48   |     | 20105050 | 1    | AGGANCIO TERGIPAVIMENTO        | SQUEEGEE COUPLER          | ACCROCHAGE DE SUCEUR             | ARRETIERUNG SAUGFUSS          | ENGANCHE SISTEMA DE SECADO  |
| 49   |     | 60510001 |      | RONDELLA DENT. Ø 10 DIN 6798/A | LOCK WASHER               | RONDELLE FREIN                   | ZAHNSCHEIBE                   | ARANDELA DENTADA            |
| 50   |     | 61706001 |      | VOLANTINO Ø 22 M6x20           | HANDWHEEL                 | VOLANT                           | HANDRAD                       | RUEDA DE MANIOBRA           |
| 51   |     | 60210607 |      | DADO M6 H6 UNI 5587            | NUT                       | ECROU                            | MUTTER                        | TUERCA                      |
| 52   |     | 60211005 |      | DADO M10x1,25 UNI 5589 INOX    | NUT INOX                  | ECROU INOX                       | MUTTER INOX                   | TUERCA INOX                 |
| 53   |     | V0105001 | 1    | ASSIEME REGISTRO INCLINAZIONE  | INCLINATION ADJUSTM. ASSY | REGISTRE D'INCLINAISON<br>COMPL. | NEIGUNGSVERSTELLUNG<br>KOMPL. | REGULAD. INCLINACIÓN COMPL. |





| Pos. | S/N | Codice   | Q.tà | Denominazione                      | Description                 | Description                   | Benennung                  | Descripción                   |
|------|-----|----------|------|------------------------------------|-----------------------------|-------------------------------|----------------------------|-------------------------------|
| 1    |     | 62408002 | 1    | SEDILE CON GUIDE + MICRO           | SEAT WITH GUIDES + MICROSW. | SIEGE AVEC GUIDES + MICROINT. | SITZ MIT FÜHRUNGEN + MIKRO | ASIENTO CON GUIAS + MICROINT. |
| 9    |     |          | 2    | GUIDA SEDILE                       | SEAT GUIDE                  | GUIDE DE SIEGE                | SITZFÜHRUNG                | GUIA ASIENTO                  |
| 10   |     | 60130801 |      | VITE M8x14 TCEI UNI 5931           | SCREW                       | VIS                           | SCHRAUBE                   | TORNILLO                      |
| 11   |     | 60110807 |      | VITE M8x20 TE UNI 5739 DIN 933     | SCREW                       | VIS                           | SCHRAUBE                   | TORNILLO                      |
| 12   |     | 20611050 | 1    | BASE SEDILE                        | BASE SEAT                   | BASE DE SIEGE                 | UNTERLAGE SITZ             | BASE ASIENTO                  |
| 13   |     | 63713001 | 1    | PASSACAVO 6203/8/21                | FAIRLEAD                    | PASSE-CABLE                   | KABELDURCHGANG             | GUIACABLE                     |
| 14   |     | 60110608 |      | VITE M6x16 TE UNI 5739             | SCREW                       | VIS                           | SCHRAUBE                   | TORNILLO                      |
| 15   |     | 60506004 |      | RONDELLA 6x2,5x1,8 GROWER          | LOCK WASHER                 | RONDELLE FREIN                | ZAHNSCHEIBE                | ARANDELA DENTADA              |
| 16   |     | 62409001 | 2    | CERNIERA MM.65x27 + 3 ASOLE INOX   | HINGE INOX                  | CHARNIER INOX                 | SCHARNIER INOX             | BISAGRA INOX                  |
| 17   |     | 60306007 |      | ROSETTA 6x18x1,5 UNI 6593          | WASHER                      | RONDELLE                      | UNTERLAGSCHEIBE            | ARANDELA                      |
| 18   |     |          | 2    | SPINA                              | SPRING PIN                  | FOURCHETTE                    | SPANNSTIFT                 | PASADOR                       |
| 19   |     | 60220601 |      | DADO M6 AUTOBL. DIN 985            | LOCK NUT                    | ECROU AUTOBLOQUANT            | STOPMUTTER                 | TUERCA AUTOBLOQUEANTE         |
| 20   |     | 20611060 | 1    | PUNTELLO BASE SEDILE               | PROP BASE SEAT              | LEVIER BASE DE SIEGE          | ABSTÜTZUNG UNTERLAGE SITZ  | PUNTAL BASE ASIENTO           |
| 21   |     | 60210601 |      | DADO M6 H3 DIN 439 INOX            | NUT INOX                    | ECROU INOX                    | MUTTER INOX                | TUERCA INOX                   |
| 22   |     | 60110612 |      | VITE M6x20 TE UNI 5739             | SCREW                       | VIS                           | SCHRAUBE                   | TORNILLO                      |
| 23   |     | 62405001 | 2    | PIEDINO ANTIVIBRANTE Ø 20x7 M6x15  | CAP VIBRATION-DAMPING       | BOUCHON ANTIVIBRANT           | DÄMMUNGSSTOPFEN            | TAPÓN ANTIVIBRANTE            |
| 24   |     | 60230601 |      | DADO M6 CIECO CALOTTA NYLON        | CAP NUT                     | ECROU BORGNE                  | HUTMUTTER                  | TUERCA CIEGA                  |
| 25   |     | 60210608 |      | DADO M6 H5 UNI 5588 - ISO4032      | NUT                         | ECROU                         | MUTTER                     | TUERCA                        |
| 26   |     | 60180603 |      | VITE M6x16 TPSEI UNI 5933 INOX     | SCREW INOX                  | VIS INOX                      | SCHRAUBE INOX              | TORNILLO INOX                 |
| 27   |     | 20611040 | 1    | PEDANA POGGIAPIEDI                 | BOTTOM PLATE                | REPOSE PIED                   | BODENBLECH                 | PLATAFORMA                    |
| 28   |     | 20611010 | 1    | MUSETTO ANTERIORE                  | FRONT COVERING              | REVETEMENT AVANT              | VORDERE VERKLEIDUNG        | REVESTIMIENTO DELANTERO       |
| 29   |     | 20611030 | 1    | STAFFA CARTER MUSETTO              | SUPPORT FRONT COVER         | ATTAQUE CARTER AVANT          | HALTERUNG VORDERE ABDECK.  | SOPORTE FIJADOR CÁRTER DEL.   |
| 30   |     | 60506002 |      | RONDELLA DENT. Ø 6 DIN 6798/A      | LOCK WASHER                 | RONDELLE FREIN                | ZAHNSCHEIBE                | ARANDELA DENTADA              |
| 31   |     | 60306007 |      | ROSETTA 6x18x1,5 UNI 6593          | WASHER                      | RONDELLE                      | UNTERLAGSCHEIBE            | ARANDELA                      |
| 32   |     | 60110612 |      | VITE M6x20 TE UNI 5739             | SCREW                       | VIS                           | SCHRAUBE                   | TORNILLO                      |
| 33   |     | 20611020 | 1    | CARTER MUSETTO                     | FRONT COVER                 | CARTER AVANT                  | VORDERE ABDECKUNG          | CÁRTER DELANTERO              |
| 34   |     | 60306003 |      | ROSETTA 6x12x1,6 UNI 6592 DIN 125A | WASHER                      | RONDELLE                      | UNTERLAGSCHEIBE            | ARANDELA                      |
| 35   |     | 60130606 |      | VITE M6x30 TCEI UNI 5739           | SCREW                       | VIS                           | SCHRAUBE                   | TORNILLO                      |
| 36   |     | 62010002 | 1    | PUNTALE TT40                       | CAP                         | CAPUCHON                      | DECKEL                     | TAPA                          |
| 37   |     | 20611080 | 1    | PARAURTI                           | BUMPER                      | PARE-CHOCS                    | STOSSDÄMPFER               | PARACHOQUES                   |
| 38   |     | 60309002 |      | ROSETTA 9x24x2 UNI 6593            | WASHER                      | RONDELLE                      | UNTERLAGSCHEIBE            | ARANDELA                      |
| 39   |     | 60508005 |      | RONDELLA SCHNORR Ø 8x TIPO S       | WASHER                      | RONDELLE                      | UNTERLAGSCHEIBE            | ARANDELA                      |
| 40   |     | 60100808 |      | VITE M8x50 TTQST UNI 5732          | SCREW                       | VIS                           | SCHRAUBE                   | TORNILLO                      |
| 41   |     | 60514001 |      | RONDELLA CON. Ø 14x32x1,4 DENT. I. | CONICAL WASHER              | RONDELLE CONIQUE              | KONISCHE UNTERLAGSCHEIBE   | ARANDELA CÓNICA               |
| 42   |     | 47103130 | 2    | BOCCOLA                            | BUSHING                     | BAGUE                         | BUCHSE                     | CASQUILLO                     |
| 43   |     | 60110608 |      | VITE M6x16 TE UNI 5739             | SCREW                       | VIS                           | SCHRAUBE                   | TORNILLO                      |
| 44   |     | 61940001 |      | GRAFFETTA PER TUBO Ø 16-17         | CLIP                        | PATTE DE FIXATION             | BÜGEL                      | ABRAZADERA                    |
| 45   |     | 20611100 | 1    | GUIDA PUNTELLO BASE SEDILE         | GUIDE SEAT PROP             | GUIDE LEVIER DE SIEGE         | FÜHRUNG ABSTÜTZUNG         | GUIA PUNTAL ASIENTO           |
| 46   |     | 20610070 | 1    | FUNE Ø 2 SERBATOIO RECUPERO        | CABLE RECOVERY TANK         | CABLE RESERVOIR DE RECUPER.   | KABEL SCHMUTZWASSERTANK    | CABLE DEPÓSITO DE RECUPERAC.  |
| 47   |     | 47106050 | 2    | BOCCOLA                            | BUSHING                     | BAGUE                         | BUCHSE                     | CASQUILLO                     |
| 48   |     | 60180802 |      | VITE M8x18 TPSEI UNI 5933          | SCREW                       | VIS                           | SCHRAUBE                   | TORNILLO                      |
| 49   |     | 20611070 |      | ROLLBAR                            | ROLLBAR                     | ROLLBAR                       | ROLLBÜGEL                  | SOPORTE                       |



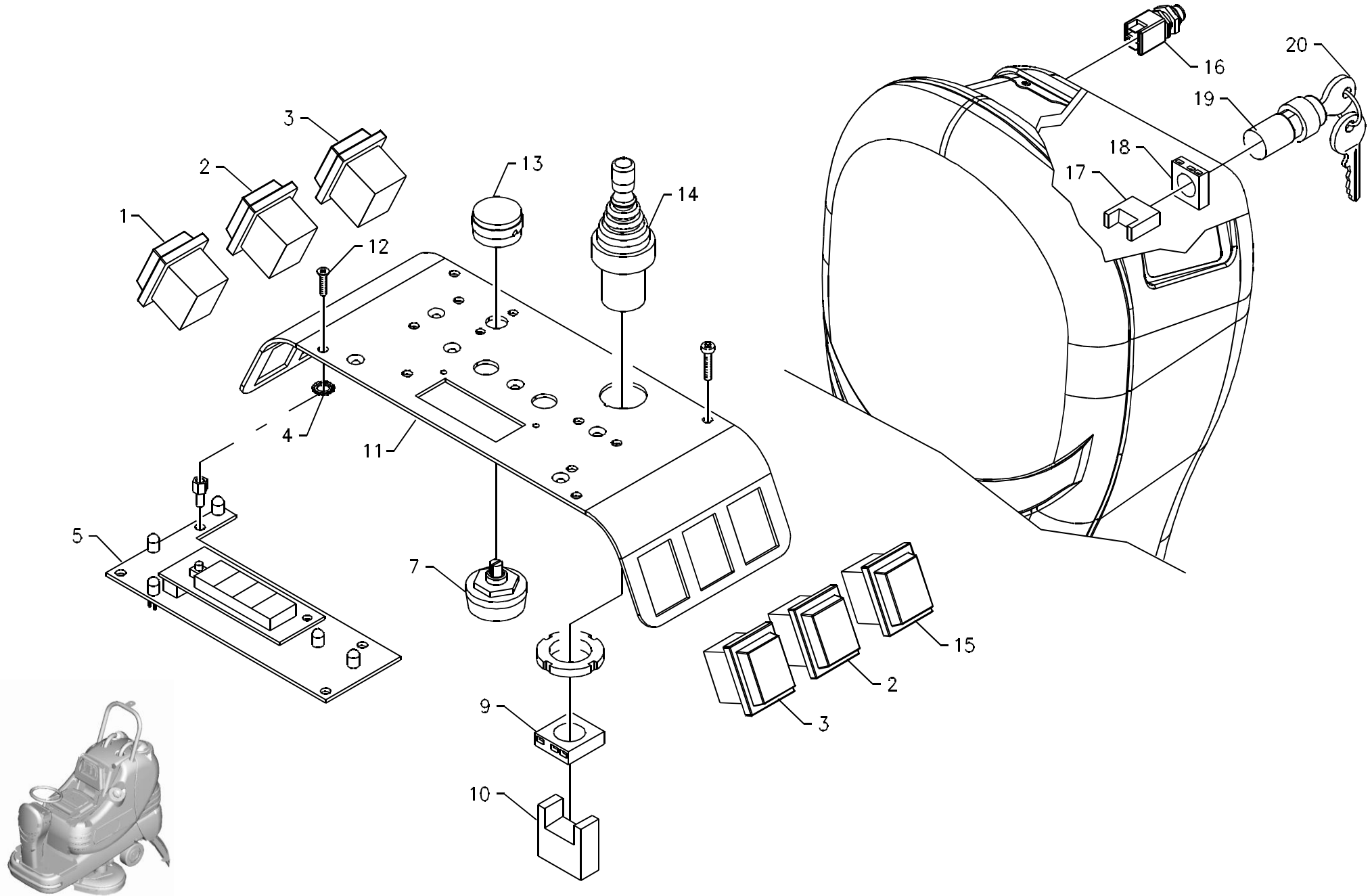


**GRUPPO CARROZZERIA**

BODYWORK ASSEMBLY • GROUPE DE CARROSSERIE • GRUPPE KAROSSERIE • GRUPO CARROCERÍA

| Pos. | S/N | Codice   | Q.tà | Denominazione               | Description           | Description        | Benennung              | Descripción              |
|------|-----|----------|------|-----------------------------|-----------------------|--------------------|------------------------|--------------------------|
| 50   |     | 63709005 | 1    | LAMPEGGIANTE                | WINKING LIGHT         | CLIGNOTEUR COMPLET | BLINKLEUCHTE           | LUZ INTERMITENTE         |
| 51   |     | 20611090 | 1    | SUPPORTO LAMPEGGIANTE       | SUPPORT WINKING LIGHT | SUPPORT CLIGNOTEUR | HALTERUNG BLINKLEUCHTE | SOPORTE LUZ INTERMITENTE |
| 52   |     | 60220601 |      | DADO M6 H6 AUTOBL. UNI 7474 | LOCK NUT              | ECROU AUTOBLOQUANT | STOPMUTTER             | TUERCA AUTOBLOQUEANTE    |
| 53   |     | 60110623 |      | VITE M6x50 TE UNI 5739      | SCREW                 | VIS                | SCHRAUBE               | TORNILLO                 |
| 54   |     | 60306007 |      | ROSETTA 6x18x1,5 UNI 6593   | WASHER                | RONDELLE           | UNTERLAGSCHEIBE        | ARANDELA                 |
| 55   |     | 60506004 |      | RONDELLA 6x2,5x1,8 GROWER   | LOCK WASHER           | RONDELLE FREIN     | ZAHNSCHEIBE            | ARANDELA DENTADA         |
| 56   |     | 60110608 |      | VITE M6x16 TE UNI 5739      | SCREW                 | VIS                | SCHRAUBE               | TORNILLO                 |





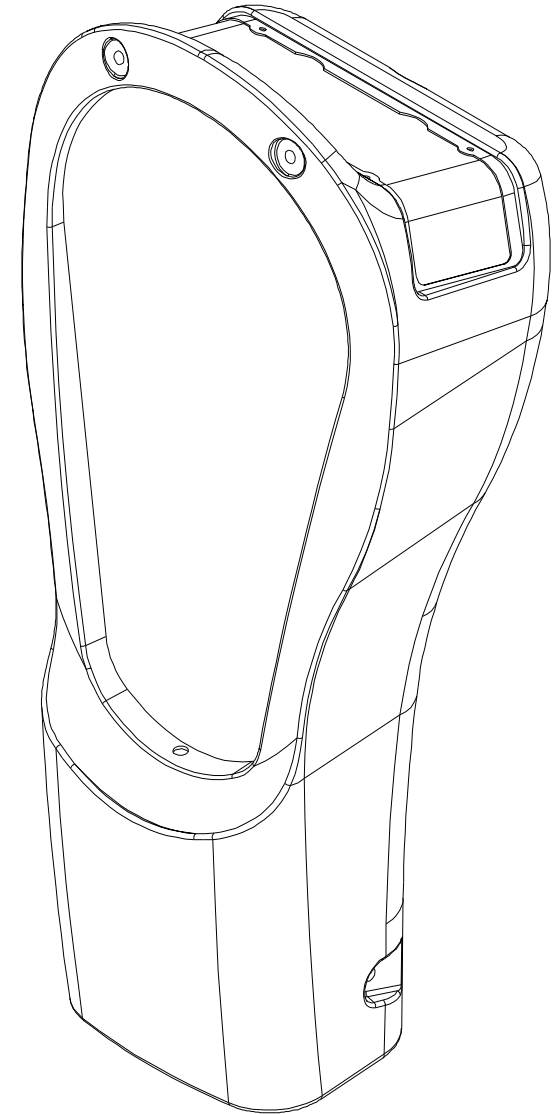
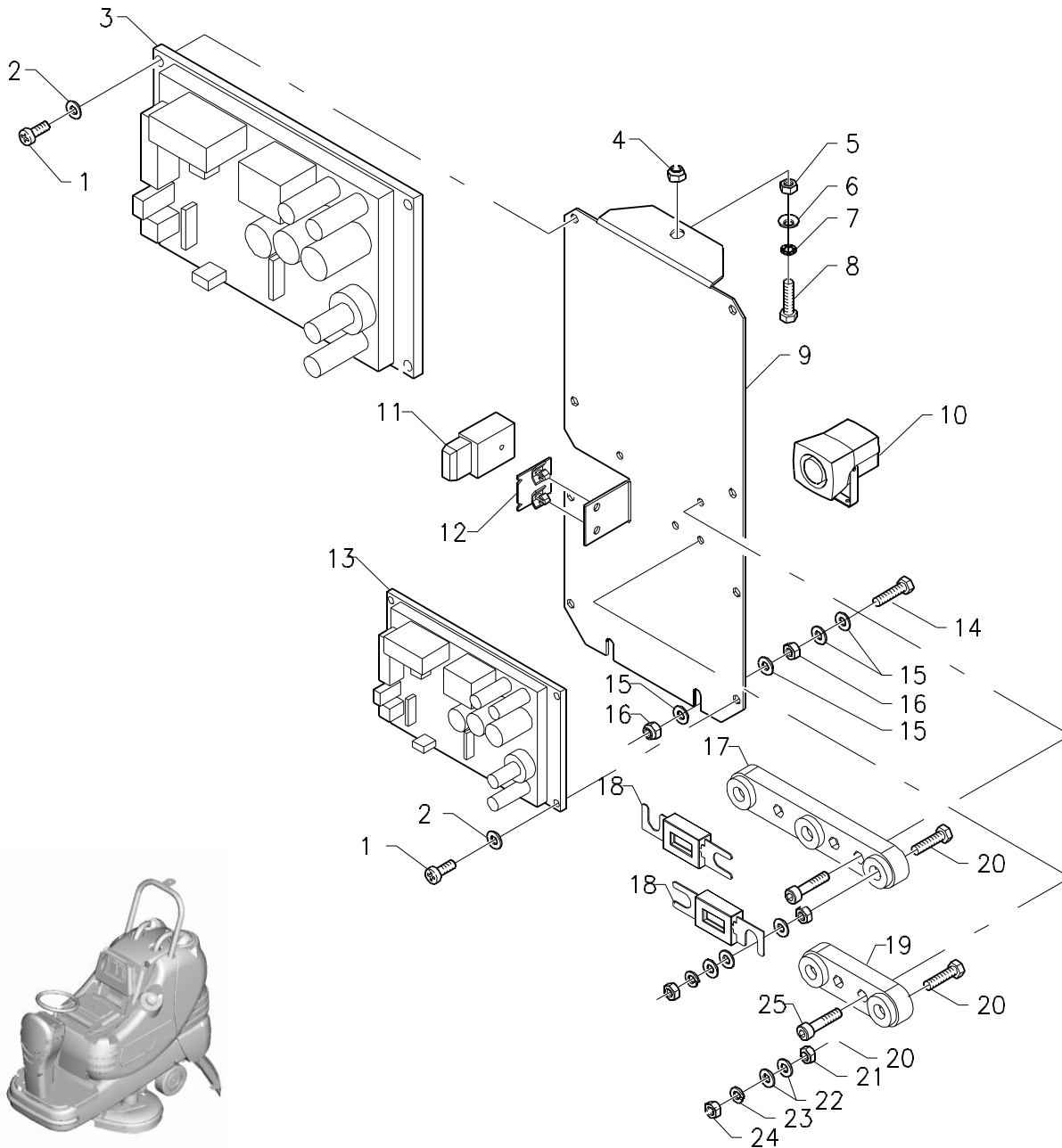
**GRUPPO PANNELLO COMANDI**

ASSEMBLY PANEL OF CONTROL • GROUPE DE PANNEAU DES COMMANDES • GRUPPE KONTROLLTAFEL • GRUPO PANEL DE MANDOS

| Pos. | S/N | Codice   | Q.tà | Denominazione                     | Description            | Description               | Benennung                | Descripción                 |
|------|-----|----------|------|-----------------------------------|------------------------|---------------------------|--------------------------|-----------------------------|
| 1    |     | 63401001 | 1    | INTERRUTTORE 36V BIP. VERDE       | SWITCH GREEN PROTECTED | INTERRUPTEUR VERT PROTEGE | SCHALTER GRÜN GESCHÜTZT  | INTERRUPTOR VERDE PROTEGIDO |
| 2    |     | 63403007 | 2    | INTERRUTTORE INST. BIP. GIALLO    | SWITCH YELLOW          | INTERRUPTEUR JAUNE        | SCHALTER GELB            | INTERRUPTOR AMARILLO        |
| 3    |     | 63403004 | 2    | INTERRUTTORE 36V LUM. VERDE       | SWITCH GREEN PROTECTED | INTERRUPTEUR VERT PROTEGE | SCHALTER GRÜN GESCHÜTZT  | INTERRUPTOR VERDE PROTEGIDO |
| 4    |     | 60504001 |      | RONDELLA DENT. Ø 4 DIN 6798/A     | LOCK WASHER            | RONDELLE FREIN            | ZAHNSCHEIBE              | ARANDELA DENTADA            |
| 5    |     | 49703040 | 1    | SCHEDA TASTIERA COMANDO           | CARD KEYBOARD CONTROL  | FICHE TABLEAU DE COMMANDE | KARTE SCHALTBETÄTIGUNGEN | FICHA CUADRO DE MANDO       |
| 7    |     | 63405001 | 1    | COMMUTATORE ROTANTE RAD. 3 POS.   | ROTATING COMMUTATOR    | COMMUTATEUR ROTATIF       | ROTIERENDE SCHALTUNG     | CONMUTADOR                  |
| 9    |     | 63499002 | 2    | FLANGIA PER CONTATTO              | CONTACT FLANGE         | FLASQUE POUR CONTACT      | KONTAKTFLANSCH           | BRIDA CONTACTO              |
| 10   |     | 63413001 | 1    | CONTATTO PER INTERRUTTORE         | CONTACT FOR SWITCH     | CONTACT INTERRUPTEUR      | SCHALTERKONTAKT          | CONTACTO INTERRUPTOR        |
| 11   |     | 20612020 | 1    | PANNELLO COMANDI                  | PANEL CONTROLS         | PANNEAU DES COMMANDES     | BEDIENUNGSTAFEL          | PANEL MANDOS                |
| 12   |     | 60140404 |      | VITE M4x16 TCTC UNI 7687          | SCREW                  | VIS                       | SCHRAUBE                 | TORNILLO                    |
| 13   |     | 61810011 | 1    | MANOPOLA Ø 23x13 NERA             | KNOB BLACK             | POIGNEE NOIR              | KNOPF SCHWARZ            | EMPUÑADURA NEGRO            |
| 14   |     | 63407001 |      | MANIPOLATORE 2 POS.               | MANIPULATOR            | MANIPULATEUR              | MANIPULATOR              | MANIPULADOR                 |
| 15   |     | 63403006 | 1    | INTERRUTTORE 36V BIP. VERDE       | SWITCH GREEN           | INTERRUPTEUR VERT         | SCHALTER GRÜN            | INTERRUPTOR VERDE           |
| 16   |     | 63709004 | 1    | PULSANTE PER AVVISATORE 12V       | PUSH BUTTON HORN       | BOUTON POUSSOIR KLAXON    | DRUCKKNOPF HUPE          | PULSADOR BOCINA             |
| 17   |     | 63413001 | 1    | CONTATTO PER INTERRUTTORE         | CONTACT FOR SWITCH     | CONTACT INTERRUPTEUR      | SCHALTERKONTAKT          | CONTACTO INTERRUPTOR        |
| 18   |     | 63499002 | 1    | FLANGIA CONTATTO INTERR. A CHIAVE | CONTACT FLANGE         | FLASQUE POUR CONTACT      | KONTAKTFLANSCH           | BRIDA CONTACTO              |
| 19   |     | 63410001 | 1    | INTERRUTTORE CON CHIAVI           | SWITCH WITH KEYS       | INTERRUPTEUR AVEC CLEFS   | SCHALTER MIT SCHLÜSSEL   | INTERRUPTOR CON LLAVES      |
| 20   |     | 63499003 | 1    | CHIAVE INTERRUTTORE               | KEY FOR SWITCH         | CLEF POUR INTERRUPTEUR    | SCHLÜSSEL FÜR SCHALTER   | LLAVE PARA INTERRUPTOR      |





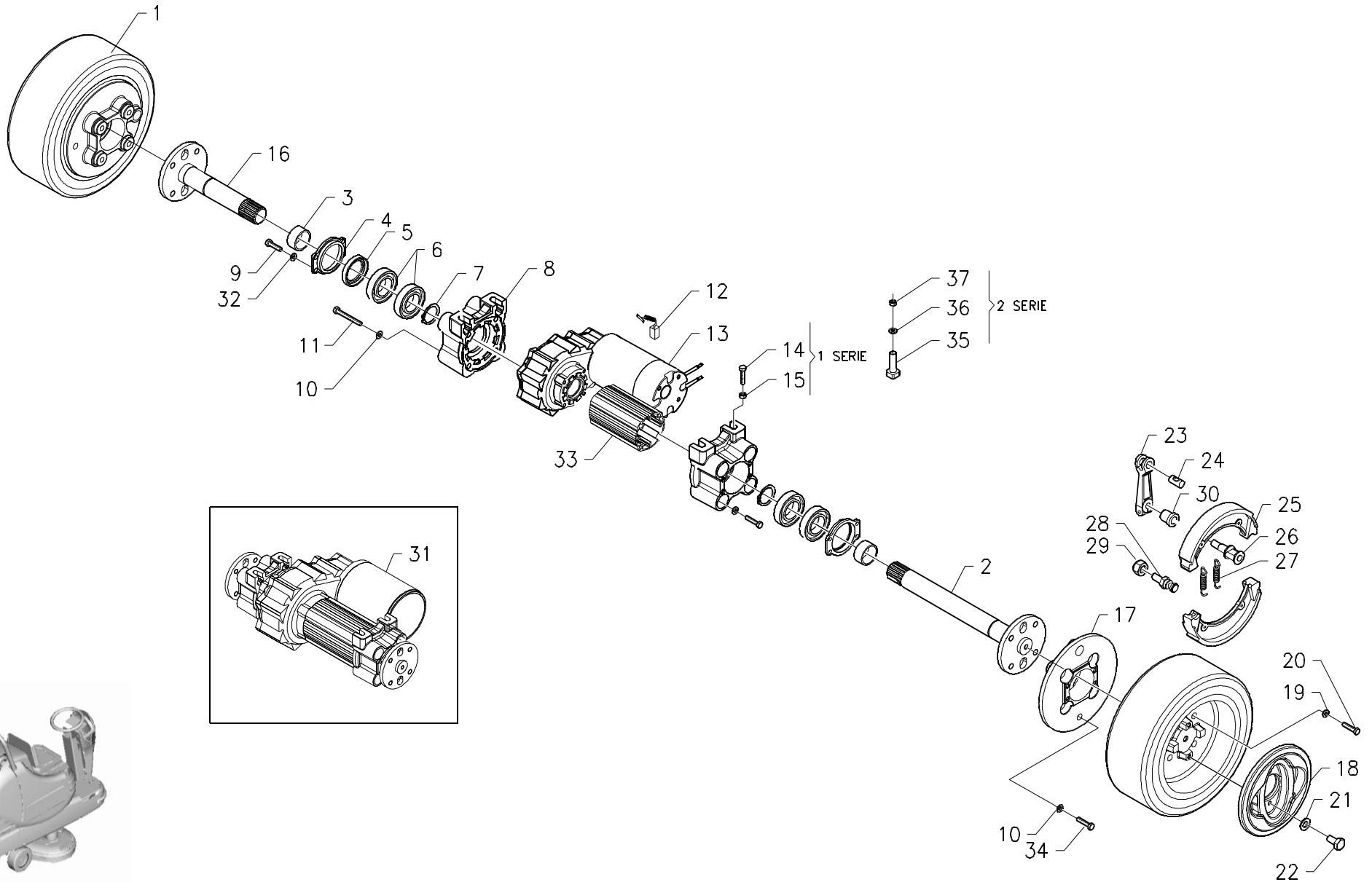


## GRUPPO IMPIANTO ELETTRICO

ELECTRICAL LAYOUT ASSEMBLY • GROUPE INSTALLATION ELECTRIQUE • GRUPPE ELEKTRISCHE ANLAGE • GRUPO INSTALACIÓN ELÉCTRICA

| Pos. | S/N | Codice               | Q.tà | Denominazione  | Description  | Description  | Benennung   | Descripción  |
|------|-----|----------------------|------|--|--|--|---|--|
| 1    |     | 60140404             |      | VITE M4x16 TCTC UNI 7687                                     | SCREW  | VIS  | SCHRAUBE  | TORNILLO   |
| 2    |     | 60504001             |      | RONDELLA DENT. Ø 4 DIN 6798/A                                | LOCK WASHER  | RONDELLE FREIN   | ZAHNSCHEIBE   | ARANDELA DENTADA                                   |
| 3    |     | 49704010             | 1    | SCHEDA CONTR. FUNZIONI 36V                                   | CHECK CARD CONTR. FUNCTIONS                        | PLAQUE CONTROLE FONCTIONS                                    | KONTROLLKARTE FUNKTIONEN                              | FICHA CONTROL FUNCIONES                            |
| 4    |     | 60220801             |      | DADO M8 H8,5 AUTOBL. UNI 7474                                | LOCK NUT   | ECROU AUTOBLOQUANT   | STOPMUTTER  | TUERCA AUTOBLOQUEANTE                              |
| 5    |     | 60210805             |      | DADO M8 H5 UNI 5589  | NUT  | ECROU  | MUTTER  | TUERCA   |
| 6    |     | 60309002             |      | ROSETTA 9x24x2 UNI 6593                                      | WASHER   | RONDELLE   | UNTERLAGSCHEIBE                                       | ARANDELA   |
| 7    |     | 60508004             |      | RONDELLA CON. Ø 8,5x22x1,2 DENT. I.                          | CONICAL WASHER                                     | RONDELLE CONIQUE   | KONISCHE UNTERLAGSCHEIBE                              | ARANDELA CÓNICA                                    |
| 8    |     | 60110807             |      | VITE M8x20 TE UNI 5739                                       | SCREW  | VIS  | SCHRAUBE  | TORNILLO   |
| 9    |     | 20612010             | 1    | PANNELLO IMPIANTO ELETTRICO                                  | PANEL  | PANNEAU  | BLECH   | PANEL  |
| 10   |     | 63709003             | 1    | AVVISATORE ACUSTICO 12V                                      | HORN   | KLAXON   | HUPE  | BOCINA   |
| 11   |     | 62800001             | 1    | PORTAFUSIBILE 1 VIA TERMIN. FASTON                           | FUSEHOLDER 1-WAY                                   | PORTE-FUSIBLE 1-VOIE   | SICHERUNGSHALTER 1-WEG                                | PORTAFUSIBILE                                      |
| 12   |     | 63717002             | 1    | PIASTRINA FISS. MAXI-PORTAFUSIBILE                           | FIXING PLAQUE                                      | PLAQUETTE DE FIXATION  | BEFESTIGUNGSAUFLAGE                                   | PLAQUETA DE AJUSTE                                 |
| 13   |     | 49701040<br>49701070 | 1    | SCHEDA CHOPPER 36V STANDARD<br>SCHEDA CHOPPER 36V POTENZIATA | CHOPPER CARD STANDARD<br>CHOPPER CARD STRENGTHENED | FICHE ELECTRONIQUE<br>STANDARD<br>FICHE ELECTRONIQUE POTENCE | ELEKTRONIKKARTE STANDARD<br>ELEKTRONIKKARTE VERSTÄRKT | FICHA CHOPPER ESTÁNDAR<br>FICHA CHOPPER POTENCIADA |
| 14   |     | 60110617             |      | VITE M6x25 TE UNI 5739 DIN 933                               | SCREW  | VIS  | SCHRAUBE  | TORNILLO   |
| 15   |     | 60306007             |      | ROSETTA 6x18x1,5 UNI 6593                                    | WASHER   | RONDELLE   | UNTERLAGSCHEIBE                                       | ARANDELA   |
| 16   |     | 60220601             |      | DADO M6 H6 AUTOBL. UNI 7474                                  | LOCK NUT   | ECROU AUTOBLOQUANT   | STOPMUTTER  | TUERCA AUTOBLOQUEANTE                              |
| 17   |     | 62800003             | 1    | PORTAFUSIBILE DOPPIO   | FUSEHOLDER DOUBLE                                  | PORTE-FUSIBLE DOUBLE   | DOPPELSICHERUNGSHALTER                                | PORTAFUSIBILE DOBLE                                |
| 18   |     | 62808001             | 2    | FUSIBILE LAMELLARE 80A                                       | LAMELLAR FUSE                                      | FUSIBLE LAMELLAIRE   | LAMELLENSICHERUNG                                     | FUSIBLE LAMINAR                                    |
| 19   |     | 62800004             | 1    | PORTAFUSIBILI SINGOLO  | FUSEHOLDER SINGLE                                  | PORTE-FUSIBLES SINGULIER                                     | EINZELSICHERUNGSHALTER                                | PORTAFUSIBLES INDIVIDUAL                           |
| 20   |     | 60110812             |      | VITE M8x35 TE UNI 5739                                       | SCREW  | VIS  | SCHRAUBE  | TORNILLO   |
| 21   |     | 60210804             |      | DADO M8 H5 DIN 936 OTTONE                                    | NUT BRASS  | ECROU LAITON   | MESSINGMUTTER   | TUERCA LATÓN                                       |
| 22   |     | 60308005             |      | ROSETTA 8x17x1,6 DIN 125A OTTONE                             | WASHER BRASS                                       | RONDELLE LAITON  | MESSINGSCHNEIBE                                       | ARANDELA LATÓN                                     |
| 23   |     | 60508001             |      | RONDELLA 8 GROWER ASA B27                                    | LOCK WASHER  | RONDELLE FREIN   | ZAHNSCHEIBE   | ARANDELA DENTADA                                   |
| 24   |     | 60210805             |      | DADO M8 H5 UNI 5589  | NUT  | ECROU  | MUTTER  | TUERCA   |
| 25   |     | 60130506             |      | VITE M5x18 TCEI UNI 5931                                     | SCREW  | VIS  | SCHRAUBE  | TORNILLO   |





**GRUPPO MOTORIDUTTORE - FRENO – RUOTE**

GEARED MOTOR ASSY-BRAKE-WHEELS • GROUPE MOTOREDUCTEUR-FREIN-ROUES • GRUPPE GETRIEBEMOTOR-BREMSE-RÄDER • GRUPO MOTORREDUCTOR-FRENO-RUEDAS

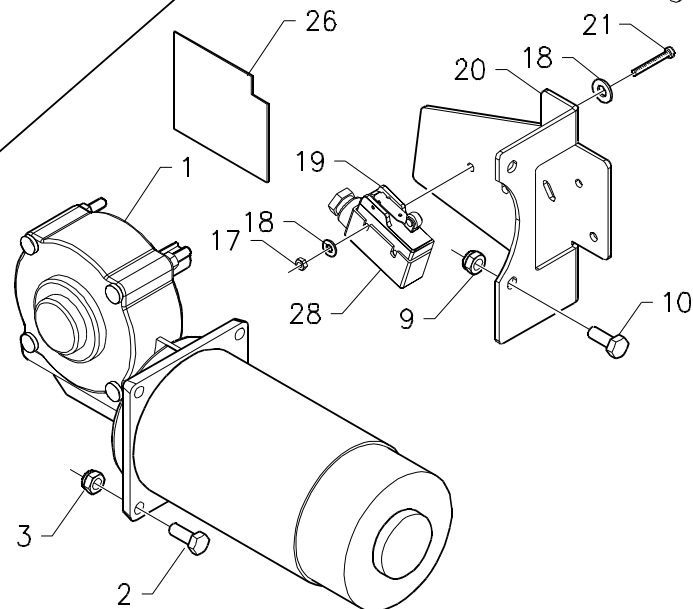
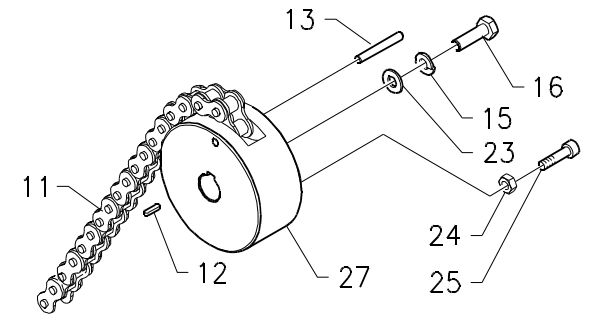
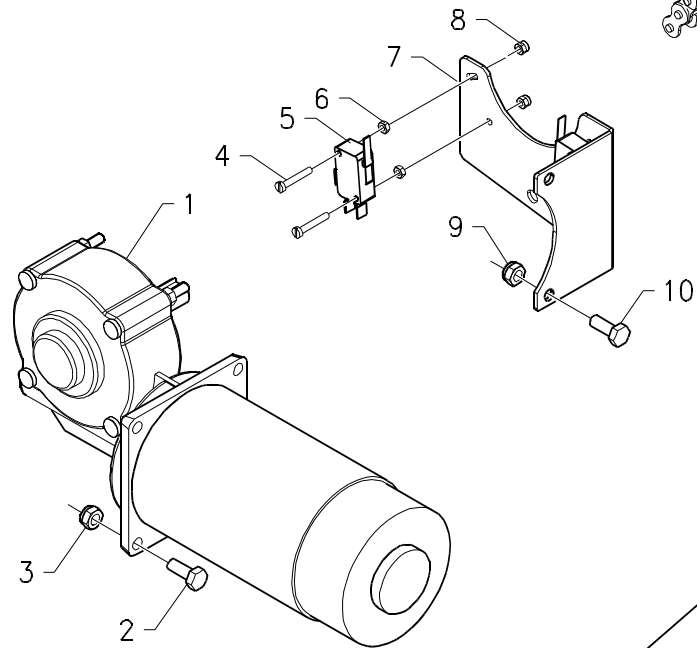
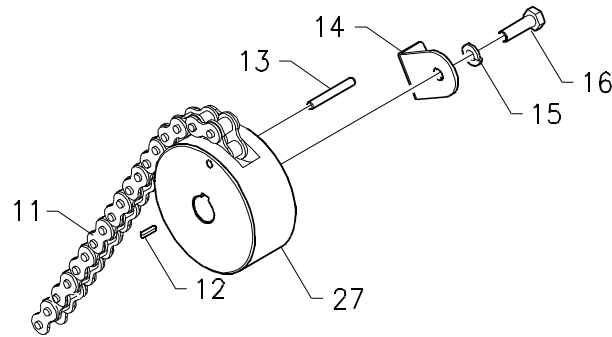
14

| Pos. | S/N | Codice               | Q.tà | Denominazione  | Description   | Description  | Benennung   | Descripción  |
|------|-----|----------------------|------|--|---|--|---|--|
| 1    |     | 46524010             | 2    | RUOTA Ø 250x90 + MOZZO PUR 75SH                          | WHEEL WITH HUB  | ROUE AVEC MOYEU  | RAD MIT NABE  | RUEDA CON CUBO   |
| 2    |     | 46706020             | 1    | SEMIASSE DX - LUNGO                                      | AXLE SHAFT RIGHT, LONG  | DEMI-ESSIEU DROITE, LONG                                     | ACHSWELLE RECHTS, LANG                                    | SEMIEJE DERECHO, LARGO   |
| 3    |     | 47103120             | 2    | BOCCOLA  | BUSHING   | BAGUE  | BUCHSE  | CASQUILLO  |
| 4    |     | 20307020             | 2    | COPERCHIO SUPPORTO SEMIASSI                              | SUPPORT COVER   | COUVERCLE DE SUPPORT   | HALTERUNGSDECKEL  | COBERTURA DE SOPORTE   |
| 5    |     | 61235501             | 2    | PARAOLIO 35x50x8   | OIL SEAL  | JOINT PAULSTRA   | SIMMERING   | ARO RASCADOR DE ACEITE   |
| 6    |     | 61413001             | 4    | CUSCINETTO SF 6006 2RS                                   | BEARING   | ROULEMENT  | LAGER   | COJINETE   |
| 7    |     | 61123001             | 2    | SEEGER E30 DIN 471                                       | SEEGER RING   | SERRE CLIPS  | SEEGERRING  | ANILLO SEEGER  |
| 8    |     | 20607030             | 2    | SUPPORTO SEMIASSI  | SUPPORT AXLE SHAFT  | SUPPORT DEMI-ESSIEU  | HALTERUNG ACHSWELLE                                       | SOPORTE SEMIEJE  |
| 9    |     | 60130601             |      | VITE M6x14 TCEI UNI 5931                                 | SCREW   | VIS  | SCHRAUBE  | TORNILLO   |
| 10   |     | 60508004             |      | RONDELLA CON. Ø8,5x22x1,2 DENT. I.                       | CONICAL WASHER  | RONDELLE CONIQUE   | KONISCHE UNTERLAGSCHEIBE                                  | ARANDELA CÓNICA  |
| 11   |     | 60110836             |      | VITE M8x80 TE UNI 5737 DIN 931                           | SCREW   | VIS  | SCHRAUBE  | TORNILLO   |
| 12   |     | 63610181             | 4    | SPAZZOLA MOTORE  | CARBON BRUSH MOTOR  | CHARBON MOTEUR   | KOHLEBÜRSTE   | ESCOBILLA MOTOR  |
| 13   |     | 46200200<br>46200220 | 1    | MOTORID.36V-600W STANDARD<br>MOTORID.36V-600W POTENZIATO | GEARED MOTOR STANDARD<br>GEARED MOTOR<br>STRENGTHENED           | MOTOREDUCTEUR STANDARD<br>MOTOREDUCTEUR POTENCE              | GETRIEBEMOTOR STANDARD<br>GETRIEBEMOTOR VERSTÄRKT         | MOTORREDUCTOR ESTÁNDAR<br>MOTORREDUCTOR POTENCIADA             |
| 14   |     | 60111008             |      | VITE M10x30 TE P=1,25 UNI 5740                           | SCREW   | VIS  | SCHRAUBE  | TORNILLO   |
| 15   |     | 60271001             |      | DADO QUADRO M10x1,25 TROPIC.                             | SQUARE NUT  | ECROU CARRE  | VIERKANTMUTTER  | TUERCA CUADRADA  |
| 16   |     | 46706010             | 1    | SEMIASSE SN - CORTO                                      | AXLE SHAFT LEFT, SHORT  | DEMI-ESSIEU GAUCHE, COURT                                    | ACHSWELLE LINKS, KURZ                                     | SEMIEJE IZQUIERDO, CORTO                                       |
| 17   |     | 20607010             | 2    | SUPPORTO FRENO   | BRAKE SUPPORT   | SUPPORT DE FREIN   | BREMSHALTERUNG  | SOPORTE DE FRENO   |
| 18   |     | 20307040             | 2    | COPRIRUOTA   | WHEEL COVER   | COUVERCLE DE ROUE  | RADDECKEL   | CUBRERUEDA   |
| 19   |     | 60510006             |      | ROSETTA 10 GROWER UNI 1751B                              | LOCK WASHER   | RONDELLE FREIN   | ZAHNSCHEIBE   | ARANDELA DENTADA   |
| 20   |     | 60111003             |      | VITE M10x20 TE UNI 5739 DIN 933                          | SCREW   | VIS  | SCHRAUBE  | TORNILLO   |
| 21   |     | 60306003             |      | ROSETTA 6x12x1,6 UNI 6592 DIN 125A                       | WASHER  | RONDELLE   | UNTERLAGSCHEIBE   | ARANDELA   |
| 22   |     | 60100690             |      | VITE M6x14 TBEI ISO 7380                                 | SCREW   | VIS  | SCHRAUBE  | TORNILLO   |
| 23   |     | 62403003             | 2    | LEVA FRENO DIRITTA L=72                                  | BRAKE LEVER STRAIGHT  | LEVIER DE FREIN DROIT  | BREMSHEBEL GERADE   | PALANCA DE FRENO RECTO   |
| 24   |     | 20608090             | 2    | PERNO FORATO FRENO                                       | DRILLED PIN BRAKE   | AXE FORE DE FREIN  | GEBOHRTER BOLZEN BREMSE                                   | PERNO PERFORADO FRENO  |
| 25   |     | 62403001             | 4    | CEPPO FRENO Ø 160  | BRAKE BLOCK   | MACHOIRE FREIN   | BREMSKLOTZ  | MORDAZA DE FRENO   |
| 26   |     | 62403002             | 2    | OLIVA COMPL. - PERNO D=12 FRENO                          | DIVARICATION PIN  | AXE D'ECARTEMENT   | SPREIZVORRICHTUNG   | PERNO DE APERTURA  |
| 27   |     | 62403004             | 4    | MOLLA ELIC. A GANCI FRENO                                | SPRING WITH HOOKS   | RESSORT AVEC CROCHETS  | FEDER MIT HAKEN   | RESORTE CON GANCHOS  |
| 28   |     | 20608050             | 2    | COLONNETTA GANASCIA FRENO                                | STUD BOLT   | COLONNETTE   | GEWINDEBOLZEN   | PRISIONERO   |
| 29   |     | 60221003             |      | DADO M10 H12 AUTOBL. UNI 7473                            | LOCK NUT  | ECROU AUTOBLOQUANT   | STOPMUTTER  | TUERCA AUTOBLOQUEANTE  |
| 30   |     | 47106040             | 2    | BOCCOLA  | BUSHING   | BAGUE  | BUCHSE  | CASQUILLO  |
| 31   |     | V6206010<br>V6206020 | 1    | ASSIEME MOTORID. STANDARD<br>ASSIEME MOTORID. POTENZIATO | GEARED MOTOR ASSY<br>STANDARD<br>GEARED MOTOR ASSY<br>STRENGTH. | MOTO-REDUCT. COMPL. STAND.<br>MOTO-REDUCT. COMPL.<br>POTENCE | GETRIEBEM. KOMPL. STANDARD<br>GETRIEBEM. KOMPL. VERSTÄRKT | MOTORREDUCT. COMPL.<br>ESTÁNDAR<br>MOTORREDUCT. COMPL. POTENC. |
| 32   |     | 60506004             |      | RONDELLA 6x2,5x1,8 GROWER RINF.                          | LOCK WASHER   | RONDELLE FREIN   | ZAHNSCHEIBE   | ARANDELA DENTADA   |
| 33   |     | 20607020             |      | ESTRUSO (TUBO) MM.155,9                                  | EXTRUDER  | EXTRUDEUSE   | EXTRUDER  | EXTRUSOR   |
| 34   |     | 60110850             |      | VITE M8x235 TE UNI 5737 DIN 931                          | SCREW   | VIS  | SCHRAUBE  | TORNILLO   |
| 35   |     | 20607040             | 4    | COLONNETTA TESTA QUADRA<br>M10x35                        | STUD BOLT   | COLONNETTE   | GEWINDEBOLZEN   | PRISIONERO   |
| 36   |     | 60310002             |      | ROSETTA 10x21x2 UNI 6592                                 | WASHER  | RONDELLE   | UNTERLAGSCHEIBE   | ARANDELA   |
| 37   |     | 60221002             |      | DADO AUTOBL. M10x10 UNI 6592                             | LOCK NUT  | ECROU AUTOBLOQUANT   | STOPMUTTER  | TUERCA AUTOBLOQUEANTE  |



Fino a:  
Up to:  
Jusqu'à:  
Bis zu:  
Hasta a:

06000292



A partire da:  
Starting:  
A partir de:  
Ab:  
A partir de:

06000293

**GRUPPO MOTORIDUTTORE COMANDO TERGI**

GEARED MOTOR ASSY SQUEEGEE CONTROL • GROUPE MOTOREDUCT. COMMANDE SUCEUR • GRUPPE GETRIEBEMOT. SAUGFUSSBETÄTIG. • GRUPO MOTORREDUCTOR MANDO SISTEMA SECADO

| Pos. | S/N | Codice   | Q.tà | Denominazione                        | Description          | Description               | Benennung               | Descripción              |
|------|-----|----------|------|--------------------------------------|----------------------|---------------------------|-------------------------|--------------------------|
| 1    |     | 46200100 | 1    | MOTORIDUTTORE 36V-60W-G15            | GEARED MOTOR ASSY    | MOTO-REDUCTEUR COMPLET    | GETRIEBEMOTOR KOMPLETT  | MOTORREDUCTOR COMPLETO   |
| 2    |     | 60110612 |      | VITE M6x20 TE UNI 5739 DIN 933 (8.8) | SCREW                | VIS                       | SCHRAUBE                | TORNILLO                 |
| 3    |     | 60220601 |      | DADO M6 H6 AUTOBL. UNI 7474          | LOCK NUT             | ECROU AUTOBLOQUANT        | STOPMUTTER              | TUERCA AUTOBLOQUEANTE    |
| 4    |     | 60140306 |      | VITE M3x20 TCTC UNI 7687 DIN 7985    | SCREW                | VIS                       | SCHRAUBE                | TORNILLO                 |
| 5    |     | 63409004 | 2    | MICROINT. 10A 3x22 LC PIATTA         | MICROSWITCH          | MICROINTERRUPTEUR         | MIKROSCHALTER           | MICROINTERRUPTOR         |
| 6    |     | 60210302 |      | DADO M3 H3 UNI 5587 OTTONE           | NUT BRASS            | ECROU LAITON              | MESSINGMUTTER           | TUERCA LATÓN             |
| 7    |     | 20605100 | 1    | SUPPORTO MICRO COMANDO TERGI         | SUPPORT MICRO SWITCH | SUPPORT MICROINTERRUPTEUR | HALTERUNG MIKROSCHALTER | SOPORTE MICROINTERRUPTOR |
| 8    |     | 60220301 |      | DADO M3 AUTOBL. UNI 7473 DIN 982     | LOCK NUT             | ECROU AUTOBLOQUANT        | STOPMUTTER              | TUERCA AUTOBLOQUEANTE    |
| 9    |     | 60220601 |      | DADO M6 H6 AUTOBL. UNI 7474          | LOCK NUT             | ECROU AUTOBLOQUANT        | STOPMUTTER              | TUERCA AUTOBLOQUEANTE    |
| 10   |     | 60110612 |      | VITE M6x20 TE UNI 5739               | SCREW                | VIS                       | SCHRAUBE                | TORNILLO                 |
| 11   |     | 61510002 | 1    | CATENA 1/2x5/16-17 PASSI             | CHAIN                | CHAINE                    | KETTE                   | CADENA                   |
| 12   |     | 60905051 | 1    | LINGUETTA MM.5x5x20 UNIM92           | KEY                  | CLAVETTE                  | KEIL                    | CLAVIJA                  |
| 13   |     | 60604005 |      | SPINA CIL. Ø 4x25 UNI ISO 2338 B     | PARALLEL PIN         | GOUPILLE CYLINDRIQUE      | ZYLINDERSTIFT           | PASADOR CILÍNDRICO       |
| 14   |     | 20605090 |      | CAMMA MICRO COM. TERGIPAVIM.         | CAM MICROSWITCH      | CAME MICROINTERRUPTEUR    | NOCKEN MIKROSCHALTER    | LEVA MICROINTERRUPTOR    |
| 15   |     | 60506004 |      | RONDELLA 6x2,5x1,8 GROWER RINF.      | LOCK WASHER          | RONDELLE FREIN            | ZAHNSCHEIBE             | ARANDELA DENTADA         |
| 16   |     | 60110612 |      | VITE M6x20 TE UNI 5739 DIN 933 (8.8) | SCREW                | VIS                       | SCHRAUBE                | TORNILLO                 |
| 17   |     | 60220401 |      | DADO M4 H6 AUTOBL. UNI 7473          | LOCK NUT             | ECROU AUTOBLOQUANT        | STOPMUTTER              | TUERCA AUTOBLOQUEANTE    |
| 18   |     | 60304002 |      | ROSETTA 4x9x0,8 UNI 6592             | WASHER               | RONDELLE                  | UNTERLAGSCHEIBE         | ARANDELA                 |
| 19   |     | 63409005 | 2    | MICROINT. MOD. AM1704                | MICROSWITCH          | MICROINTERRUPTEUR         | MIKROSCHALTER           | MICROINTERRUPTOR         |
| 20   |     | 20605110 |      | SUPPORTO MICRO COMANDO TERGI         | SUPPORT MICRO SWITCH | SUPPORT MICROINTERRUPTEUR | HALTERUNG MIKROSCHALTER | SOPORTE MICROINTERRUPTOR |
| 21   |     | 60110411 |      | VITE M4x30 TE UNI 5739 DIN 933 INOX  | SCREW INOX           | VIS INOX                  | SCHRAUBE INOX           | TORNILLO INOX            |
| 23   |     | 60306010 |      | ROSETTA 6x24x2 UNI 6593              | WASHER               | RONDELLE                  | UNTERLAGSCHEIBE         | ARANDELA                 |
| 24   |     | 60210810 |      | DADO M8 H8 UNI 5587                  | NUT                  | ECROU                     | MUTTER                  | TUERCA                   |
| 25   |     | 60130801 |      | VITE M8x14 TCEI UNI 5931 DIN 912     | SCREW                | VIS                       | SCHRAUBE                | TORNILLO                 |
| 26   |     | 20610080 | 1    | PROTEZIONE IN GOMMA                  | RUBBER PROTECTION    | PROTECTION EN CAOUTCHOUC  | GUMMIABDECKUNG          | PROTECCIÓN DE GOMA       |
| 27   |     | 20605080 | 1    | RULLO COMANDO                        | CONTROL ROLLER       | GALET DE COMMANDE         | ROLLE BETÄTIGUNG        | RODILLO DE MANDO         |
| 28   |     | 63499005 | 1    | CAPPUCCIO PER MICROINTERRUPTORE      | CAP MICRO SWITCH     | CAPUCHON MICRO-INTERRUPT. | KAPPE MIKROSCHALTER     | TAPÓN MICROINTERRUPTOR   |



Le descrizioni contenute nella presente pubblicazione non si intendono impegnative. La Ditta pertanto, si riserva il diritto di apportare, in qualunque momento, le eventuali modifiche ad organi, dettagli, forniture di accessori, che essa ritiene convenienti per un miglioramento o per qualsiasi esigenza di carattere costruttivo o commerciale.

La riproduzione anche parziale dei testi e dei disegni, contenuti nel presente catalogo, è vietata ai sensi di legge.

---

The descriptions and illustrations contained in the present publication are understood to be non-binding. The Manufacturer thus reserves the rights to effect, at any time, any such alterations to items, component parts and accessory supplies as it may deem necessary for the purposes of improvement or in order to meet any demand of constructional or commercial nature.

Reproduction of either text or drawings, in full or in part, other than with the prior written consent of the Manufacturer, is expressly forbidden.

---

Les descriptions et les illustrations contenues dans la présente publication n'engagent pas le constructeur. Le Fabriquant se réserve le droit de modifier à tout moment les organes, détails et fournitures d'accessoires nécessaires à une amélioration technique ou commerciale des machines.

La reproduction même partielle des textes et illustrations contenus dans ce catalogue est illégale, tout contrairement elle pourra être pénalement poursuivie.

---

Die in dieser Anleitung enthaltenen Beschreibungen und Abbildungen sind unverbindlich. Die Firma behält sich das Recht vor, eventuelle Änderungen an Elementen, Einzelteilen und Lieferungen von Zubehörteilen ohne Ankündigung vorzunehmen, welche sich im Hinblick auf konstruktive Verbesserungen ergeben.

Der Nachdruck der Texte und Zeichnungen, die in diesem Katalog enthalten sind, auch teilweise, ist laut Gesetz untersagt.

---

Las descripciones contenidas en esa publicación no son vinculantes. Por consiguiente la Empresa se reserva el derecho de modificar eventualmente en cualquier momento las piezas, los detalles y los suministros de piezas de repuesto, de la manera que considera útil para lograr mejoras o por cualquier exigencia de tipo constructivo o comercial.

La reproducción aún parcial de los textos y de los dibujos contenidos en este catálogo queda prohibida con arreglo a la ley.

---