

AX 310

Model:
AX310



Liste de pièces Français

22-02-2015

Table des matières

AX 310

Back panel assembly	3
SYSTEME DE BASE	5
Systeme de brosse	7
SYSTEME D'ADHESIFS	9
Handle system 12	11
SYSTEME DE RECUPERATION	13
SYSTEME DE SOLUTION	15
Wiring diagram (110V, 115V)	17
Wiring diagram (230V)	19
Accessoires	21
Wand assembly	23

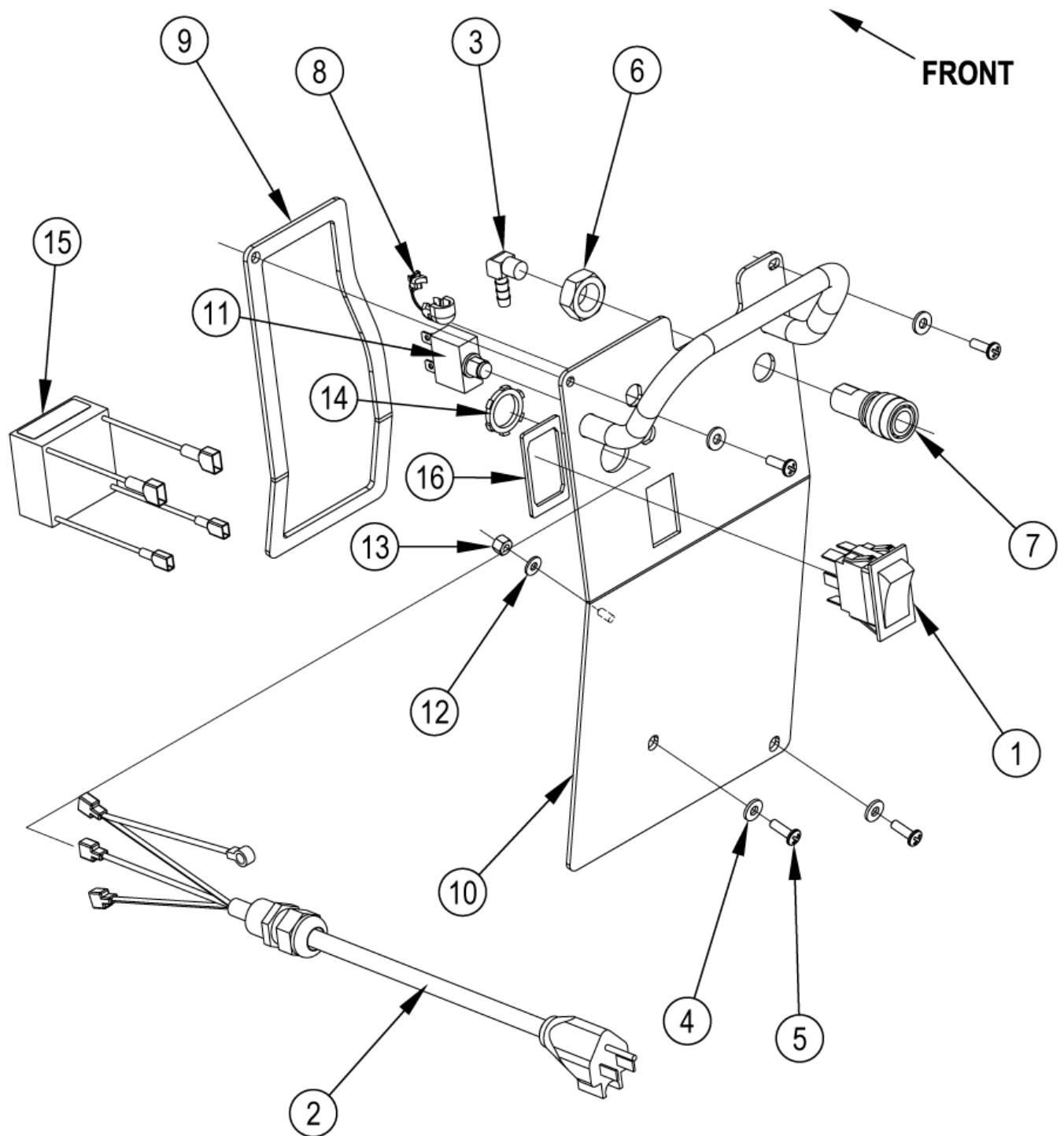
Back panel assembly

AX 310

22-02-2015

ID Liste de pièces
C1913

3



Back panel assembly

AX 310

22-02-2015

ID Liste de pièces
C1913

4

Pos	Réf. Pièce	Qté	Description	
1	56381824	1	SWITCH ROCKER DPDT ON-ON	
2	56265378	1	POWER CORD 2X3 BLK JAPAN	
2	56265382	1	ALIMENTATION 230V 2X1,5MM	AX 310
3	56755726	1	RACCORD 1/4X1/8X90 BR	AX 310J
4	56009205	4	RONDELLE PLATE INOX	
5	56002896	4	VIS 10 24 X 0 62 INOX	
6	56009078	1	NUT HEX JAM SS 5/8 18	
7	56265208	1	GICLEUR	
8	56265392	1	STRAIN RELIEF .25 .29	
9	56265325	1	GASKET BACK PANEL	
10	56265411	1	PANEL BACK WELDMENT	Note 1
11	56265379	1	FUSIBLE DE BROSSE 3AMP	
12	56009010	1	WSH INT SHPRF 8	
13	56009148	1	ECROU	
14	56009095	1	ECROU 1/2 14	
15	56265406	1	FILTRE EMI CPLT	
16	56382685	1	LOCKING SPACER SWITCH ALUMINUM	

NOTE 1: 56265391 is obsolete and replaced by 56265411

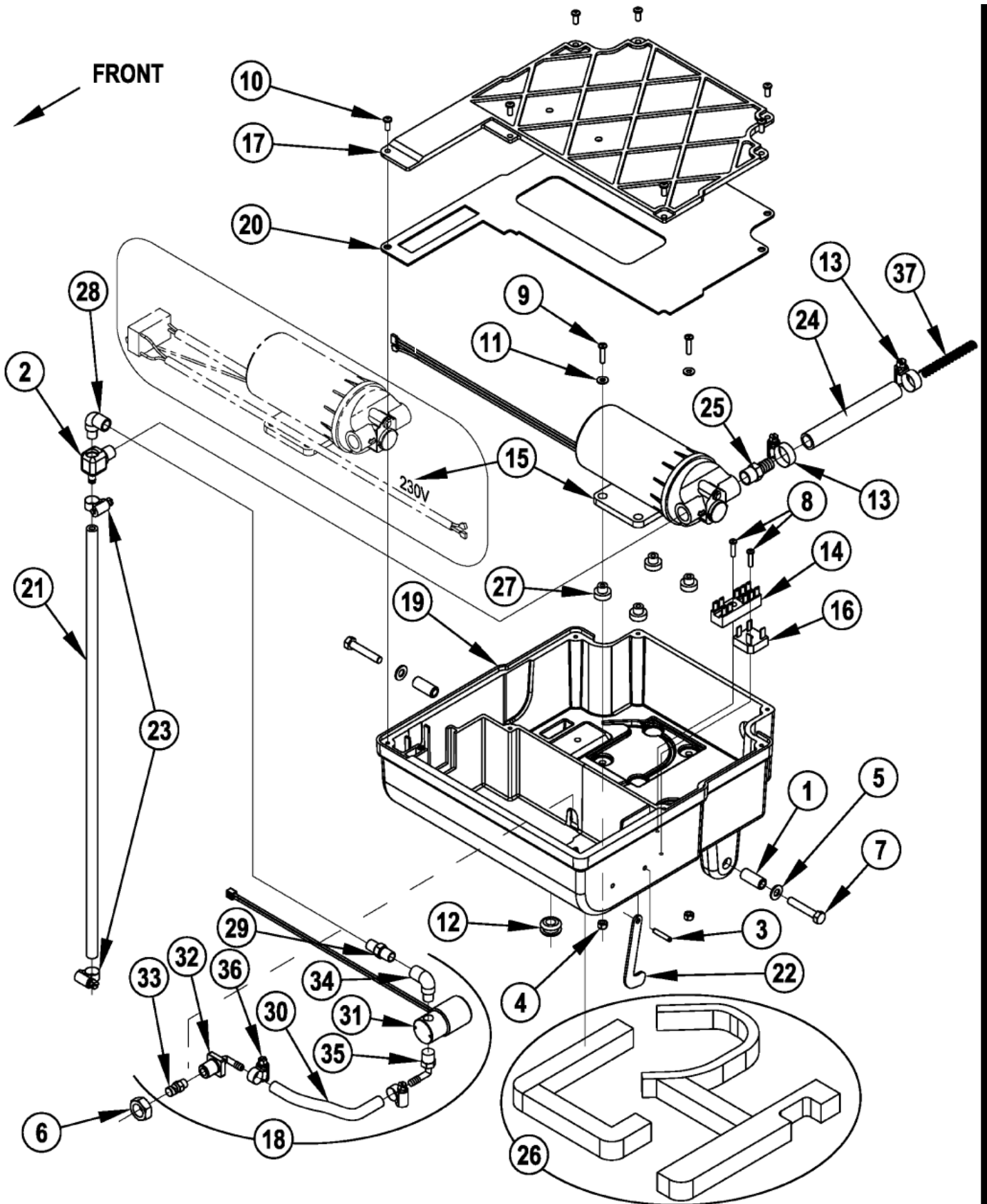
SYSTEME DE BASE

AX 310

22-02-2015

ID Liste de pièces
C1915

5



SYSTEME DE BASE

AX 310

22-02-2015

ID Liste de pièces
C1915

6

Pos	Réf. Pièce	Qté	Description	
1	56265393	2	BUSHING .31 X .50 X 1.18	
2	56264024	1	SUPPORT ADAPTATEUR	
3	56002082	1	AXE 19 X 1 00	
4	56002836	2	NUT HEX NYL LOC SS 10-24	
5	56002938	2	RONDELLE PLATE INOX 5/16EME	
6	56003272	1	ECROU 5/8 11	
7	56003333	2	SCR HEX SS 5/16-18X1.75	
8	56003545	2	VIS 10 X 0 75	
9	56003611	2	VIS 10.24X0.88	
10	56003711	7	SCR PAN SS PLASTITE 10-14 X.62	
11	56009205	2	RONDELLE PLATE INOX	
12	56050955	1	GROMMET E00059	
13	56219932	2	COLLIER DE FIXATION	
14	56260071	1	CONNECTION	
15	56265050	1	MOTEUR POMPE AX 1X230V	AX 310
15	56265051	1	PUMP 115V	AX 310J
16	56265103	1	PONT DE DIODE	
17	56265342	1	SUPPORT DE TABLEAU	
18	56265343	1	VALVE/NOZZLE ASSEMBLY	items 29-36 - AX 310J
18	56265394	1	ELECTROVANNE 230 V CPLT	items 29-36 - AX 310
19	56265358	1	BASE 12	
20	56265367	1	JOINT SUPPORT DE TABLEAU	
21	56265373	1	HOSE 1/4X21.00L E00160	
22	56265377	1	HOOK BASE	
23	56756364	2	COLLIER DE SERRAGE	
24	56265245	1	HOSE PVC CLEAR 5.00	
25	56109565	1	RACCORD DE POMPE 1/2X3/8	TSBUS2007-966
26	56265323	1	MUFFLER SET	
27	56265399	4	GROMMET	
28	56369632	1	COUDE ST 1/4X90 LAITON E	
30	56249342	1	TUBE E00160	
31	56265037	1	VALVE SOLENOID 115V	AX 310J - TSBUS2007-966
31	56265114	1	ELECTROVANNE 230V	AX 310 - TSBUS2007-966
32	56265388	1	RACCORD COUDE	
33	56265390	1	GICLEUR	
34	56369632	1	COUDE ST 1/4X90 LAITON E	
35	56470138	1	RACCORD 1/4X90 DEG E000	
36	56756364	2	COLLIER DE SERRAGE	
37	56265246	1	SPRING COMP .42 X 3.00	

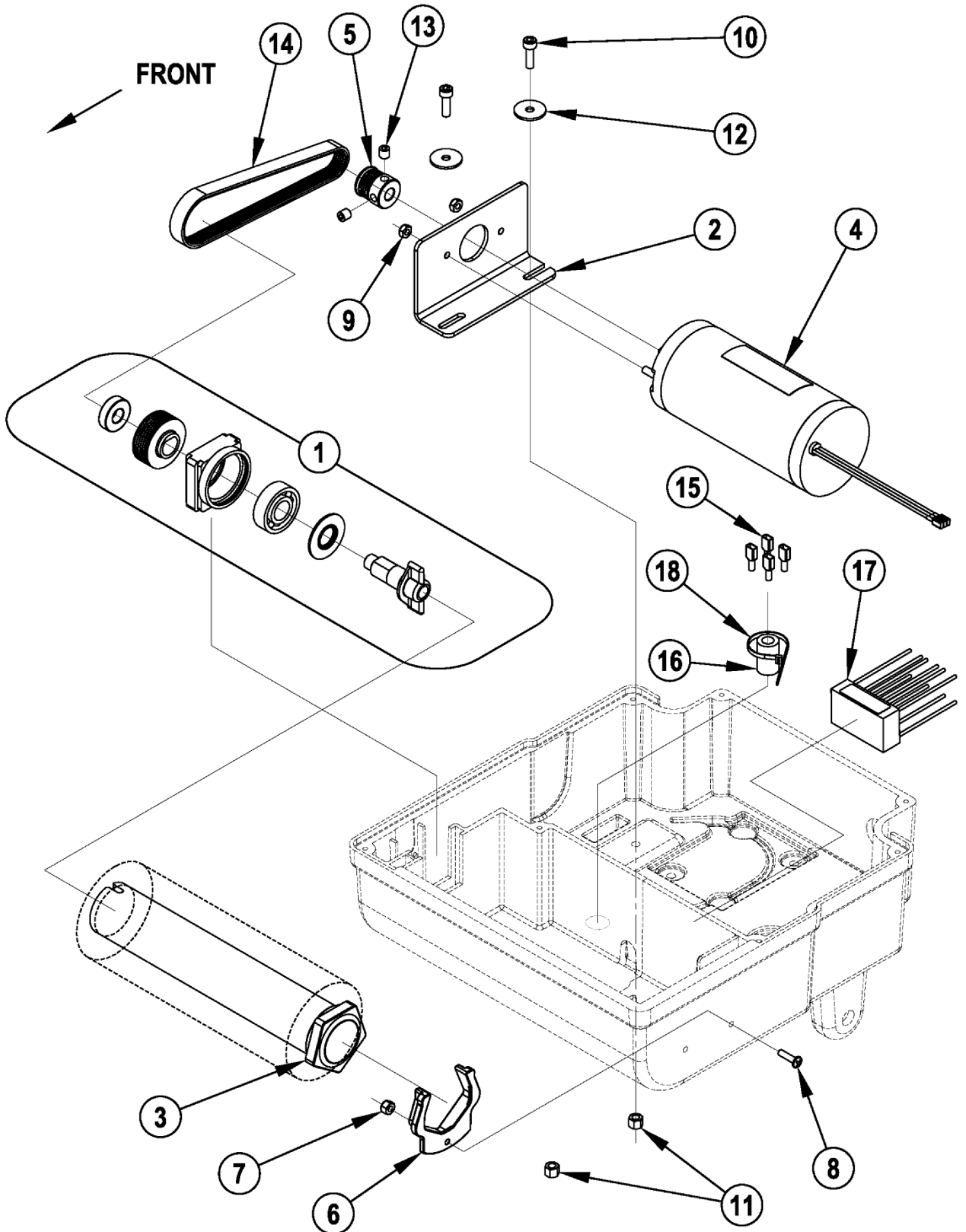
Système de brosse

AX 310

22-02-2015

ID Liste de pièces
C1917

7



Systeme de brosse

AX 310

22-02-2015

ID Liste de pieces
C1917

8

Pos	Réf. Pièce	Qté	Description
1	56265204	1	KIT ENTRAINEMENT BROSSE
1		1	NOTE COMMENT SPINDLE, DRIVE - NOT AVAILABLE
1		1	NOTE COMMENT WASHER, BEARING - NOT AVAILABLE
1		1	NOTE COMMENT BEARING, BLOCK - NOT AVAILABLE
1		1	NOTE COMMENT SHEAVE POLY-V 6J17 - NOT AVAILABLE
1		1	NOTE COMMENT BEARING, BALL - NOT AVAILABLE
1		1	NOTE COMMENT BEARING, BALL - NOT AVAILABLE
2	56265344	1	BRACKET MOTOR TENSION
3	56265340	1	BROSSE STD 12 31 CM
4	56265077	1	MOTOR 115V 1/4 HP AX 310J
4	56265078	1	MOTEUR DE BROSSE 230V AX 310
5	56265370	1	POULIE POLY V
6	56265043	1	CLIP DE RETENU DE BROSSE
7	56002836	1	NUT HEX NYL LOC SS 10-24
8	56002894	1	SCR PAN PHIL SS 10-24 X .75
9	56003053	2	ECROU 10 32
10	56003424	2	VIS M6 1 00 X 20 MM
11	56003426	2	ECROU M6 10
12	56009060	2	RONDELLE FLT S S
13	56009131	2	VIS 5/16 18X31
14	56249040	1	COURROIE POLY V 106J6
15	56244138	4	RECEPTACLE PATTE 25
16	56265405	1	EMI FERRITE BEAD CORE
17	56265407	1	FILTRE ANTI-PARASITE
18	56325219	1	CABLE TIE E00549

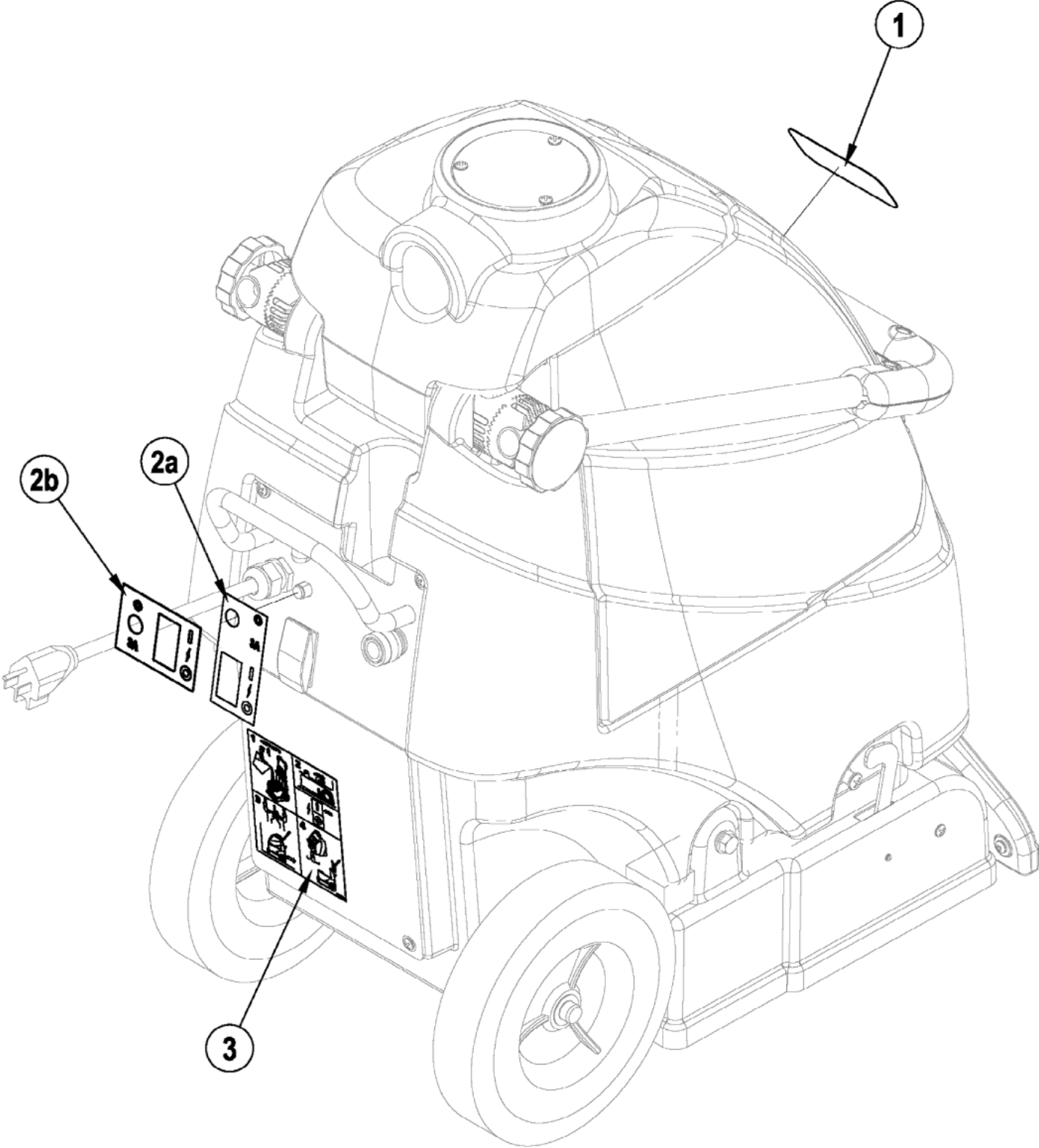
SYSTEME D'ADHESIFS

AX 310

22-02-2015

ID Liste de pièces
C1919

9



SYSTEME D'ADHESIFS

AX 310

22-02-2015

ID Liste de pièces
C1919

10

Pos	Réf. Pièce	Qté	Description	
1	56016769	1	DECAL NILFISK AX310	
3	56016772	1	DECAL OPERATION INSTRUCTIONS	
2A	56265310	1	DECAL MAIN	NOTE 1
2B	56016771	1	DECAL SWITCH/BREAKER	NOTE 2

NOTE 1: Only used after SN2005987

NOTE 2: Only used before SN2005988

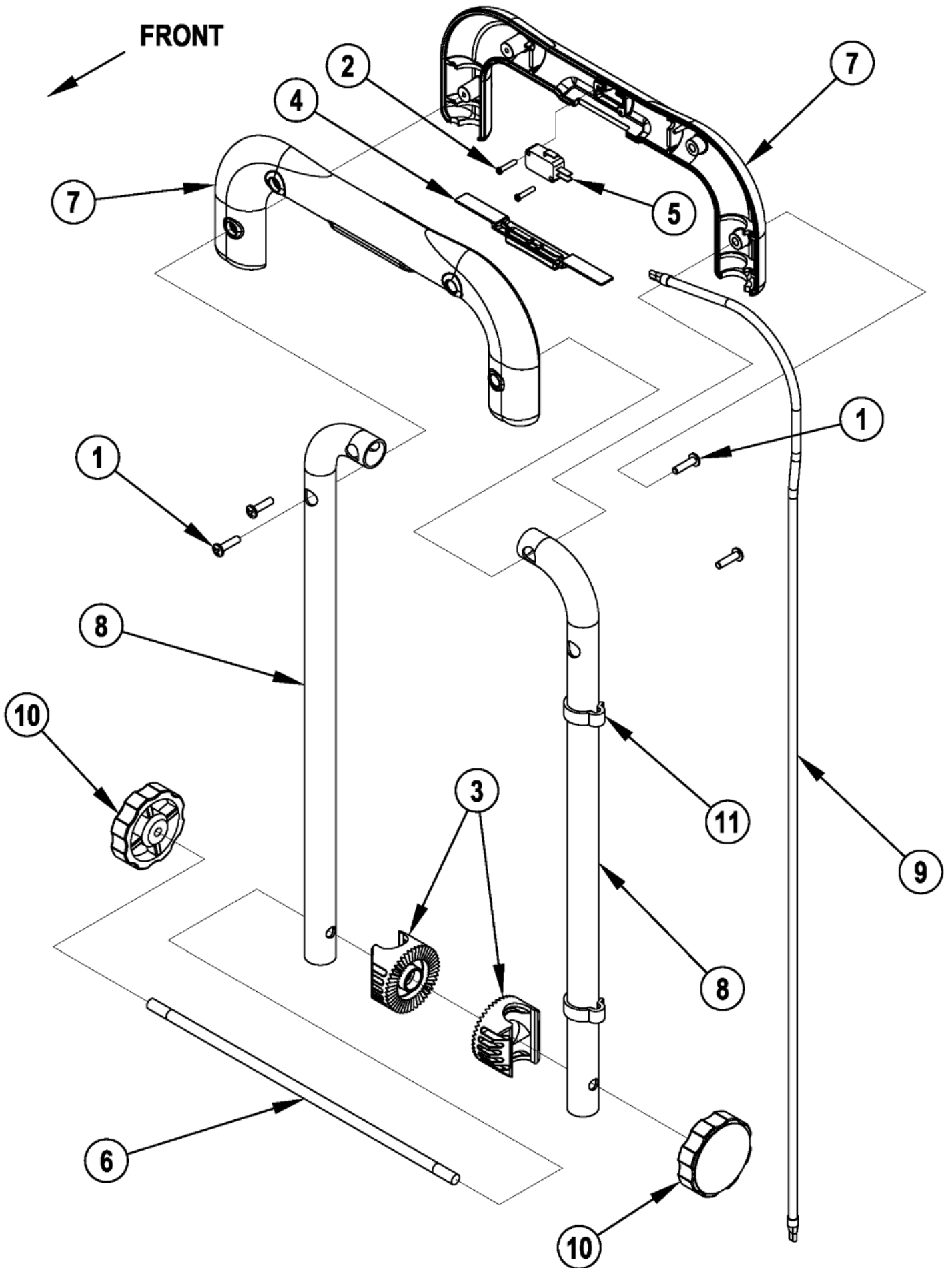
Handle system 12

AX 310

22-02-2015

ID Liste de pièces
C19111

11



Handle system 12

AX 310

22-02-2015

ID Liste de pièces
C19111

12

Pos	Réf. Pièce	Qté	Description
1	56002192	4	VIS SUPPORT EMBOUCHURE
2	56003092	2	VIS 4 20 X 5/8 PLAT
3	56264123	2	CLIQUET DE REGLAGE
4	56265053	1	BUTTON SPRAY
5	56265098	1	MICRO CONTACT
6	56265357	1	ROD HANDLE
7	56265374	2	COVER HANDLE
8	56265375	2	TUBE HANDLE
9	56265385	1	WIRE ASSY 20 GA 2 COND
10	1047	2	KNOB HANDLE RATCHET
11	56344346	2	CLIP DE POIGNEE

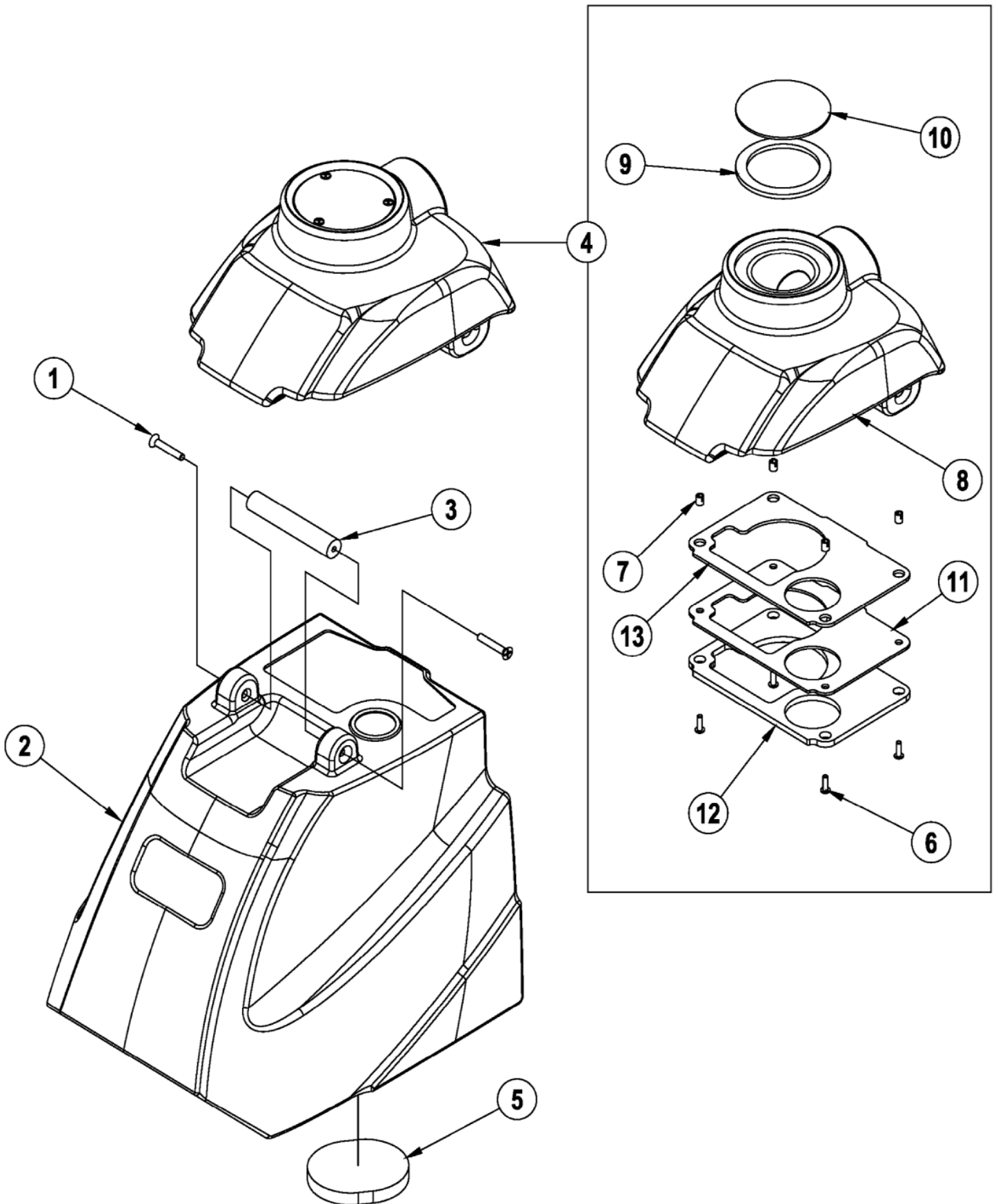
SYSTEME DE RECUPERATION

AX 310

22-02-2015

ID Liste de pièces
C19113

13



SYSTEME DE RECUPERATION

AX 310

22-02-2015

ID Liste de pièces
C19113

14

Pos	Réf. Pièce	Qté	Description	
1	56001972	2	SCR FLT PHIL 1/4 20 X 1.50	
2	56265322	1	TANK RECOVERY	
3	56265346	1	HANDLE LID	
4	56265389	1	LID ASSEMBLY	INCLUDES ITEMS 6-13
5	56265244	1	FILTRE	
6	56002896	4	VIS 10 24 X 0 62 INOX	
7	56249946	4	INSER LAITON FL150S CR1300	
8	56265347	1	LID RECOVERY	
9	56265348	1	JOINT ENTREE COUVERCLE	
10	56265349	1	INLET TANK LID	
11	56265350	1	PLATE LID	
12	56265351	1	JOINT DE COUVERCLE	
13	56265371	1	JOINT COUVERCLE DE PLAQUE	

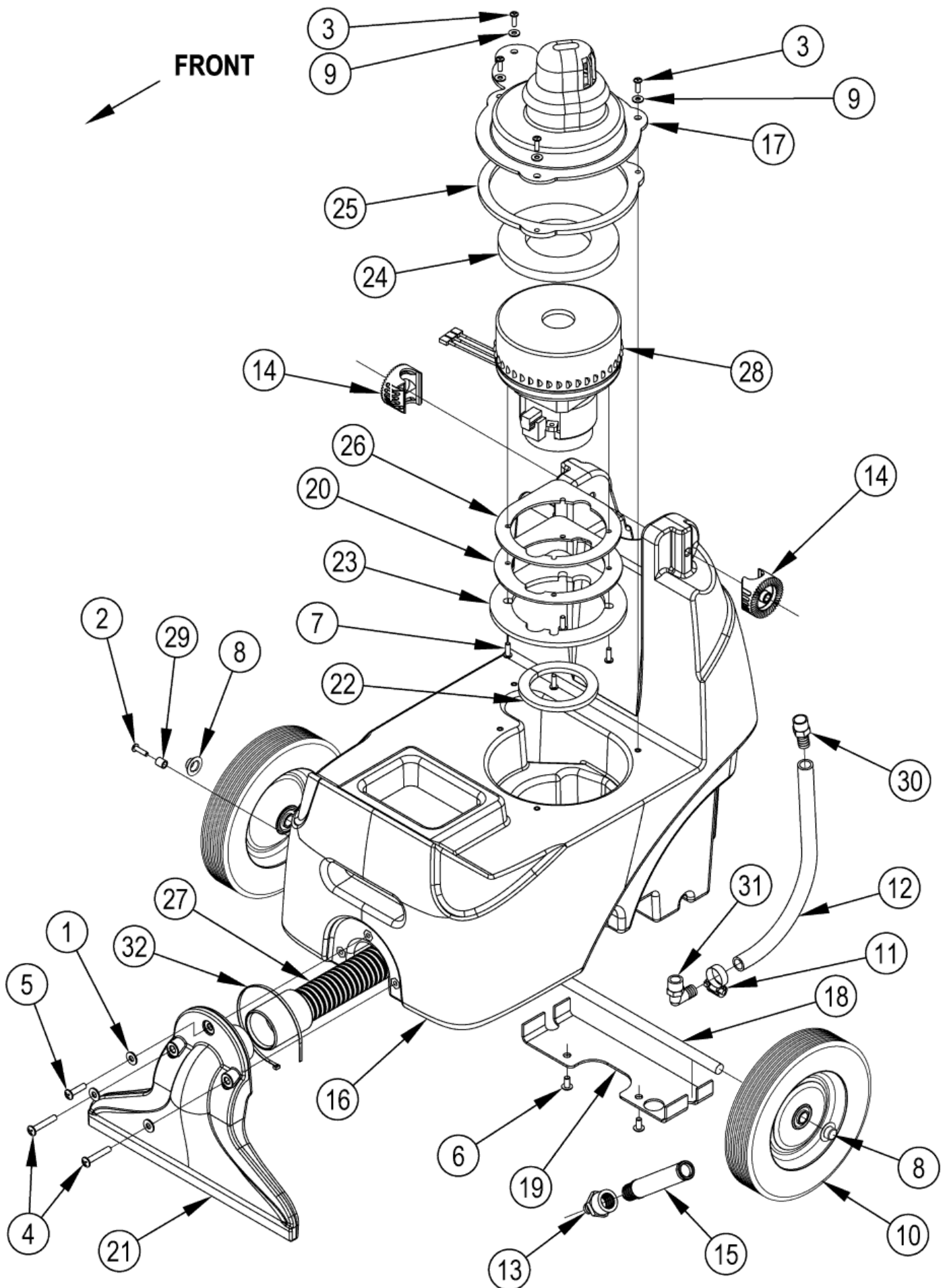
SYSTEME DE SOLUTION

AX 310

22-02-2015

ID Liste de pièces
C19115

15



SYSTEME DE SOLUTION

AX 310

22-02-2015

ID Liste de pièces
C19115

16

Pos	Réf. Pièce	Qté	Description	
1	56002859	3	RONDELLE PLAQUE SAE INO	
2	56002507	1	VIS PAN PHIL 1/4X20X0 75	
3	56002896	4	VIS 10 24 X 0 62 INOX	
4	56002905	2	VIS 1/4 20	
5	56003067	1	VIS 1/4 20 1.00 SS	
6	56003119	2	VIS 1/4 20X.50	
7	56003322	4	VIS PLATIFIEE 14X0,62	
8	56009097	2	OUVERTURE D ECROU	
9	56009205	4	RONDELLE PLATE INOX	
10	56330051	2	ROUE GU700A	
11	56219932	1	COLLIER DE FIXATION	
12	56244986	1	TUYAU E00199	
13	56264461	1	KIT DE JONCTION	
14	56264118	2	FIXATION A ENCLIQUETAGE	
15	56264137	1	FILTRE	
16	56265320	1	TANK SOLUTION	
17	56265326	1	COUVERCLE MOTEUR D ASPIRATION	
18	56265327	1	AXLE	
19	56265328	1	RETAINER AXLE	
20	56265329	1	FLASQUE SOUS MOTEUR	
21	56265330	1	EMBOUCHURE ASPIRATION 12	
22	56265334	1	JOINT MOTEUR ASPIRATION	
23	56265335	1	JOINT MOTEUR	
24	56265336	1	JOINT DESSUS DE TURBINE	
25	56265337	1	JOINT DE COUVERCLE MOTEUR	
26	56265364	1	JOINT MOTEUR ASPI	
27	56265372	1	TUYAU DE BUSE D ASPIRATION FIXE 1.50	
28	56203518	1	JEU DE 2 CHARBONS	Set of 2 - for use on 56265380 - not shown
28	56265380	1	VAC MOTOR-115 VAC	AX 310J
28	56265381	1	MOTEUR ASPIRATION 230V	AX 310
28	56503004	1	CARBON BRUSH SET2 BRUSHES	Set of 2 - for use on 56265381 - not shown
29	56321532	1	BAGUE 25X 37X 40HC42C	
30	56109565	1	RACCORD DE POMPE 1/2X3/8	TSBUS2007-961-1
31	56109566	1	COUDE A 90° 1/2X3/8 NPT	TSBUS2007-961-1
32	56478523	1	COLLIER DE SERRAGE	

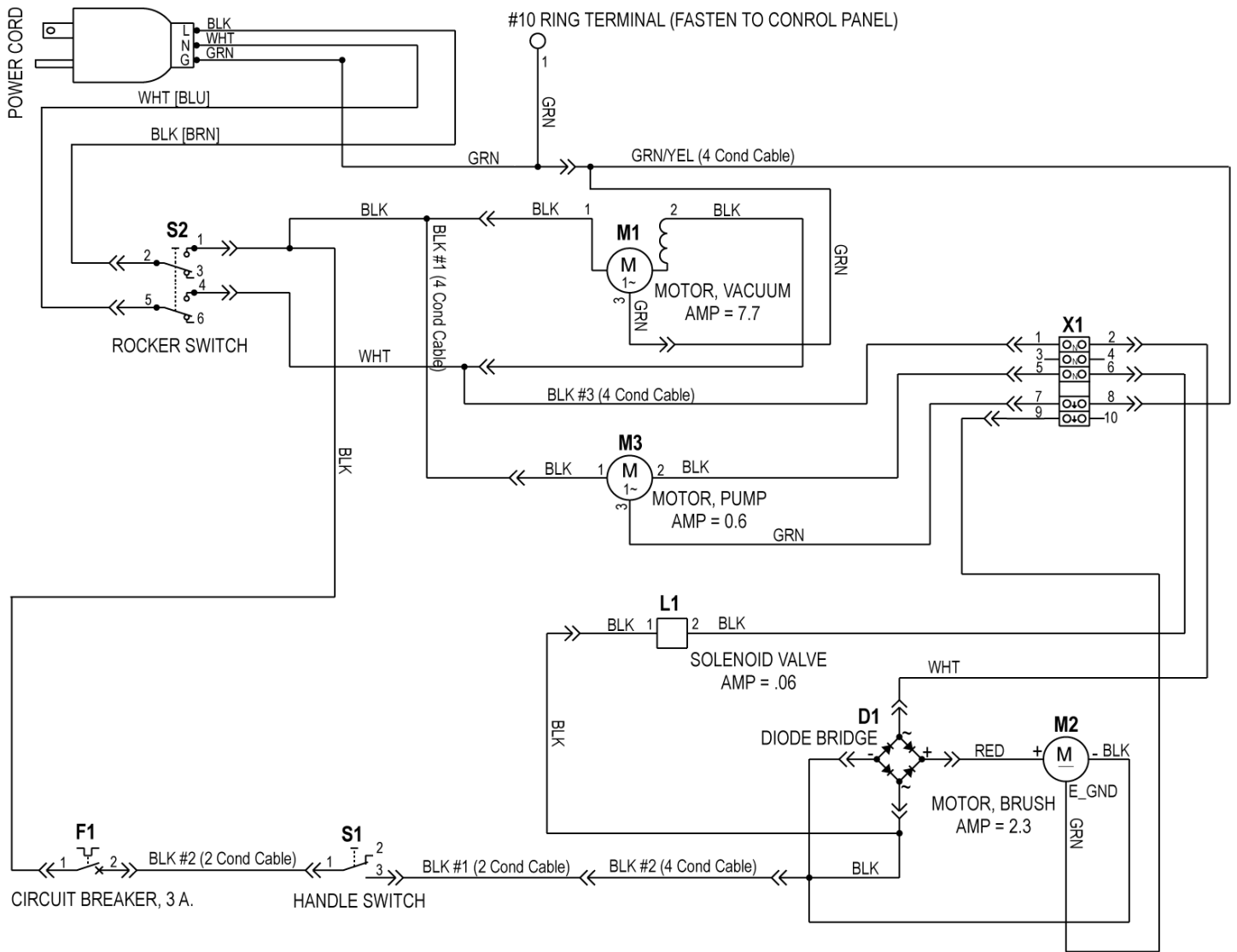
Wiring diagram (110V, 115V)

AX 310

22-02-2015

ID Liste de pièces
C19117

17



Wiring diagram (110V, 115V)

AX 310

22-02-2015

ID Liste de pièces
C19117

18

Pos	Réf. Pièce	Qté	Description	
0	56265378	1	POWER CORD 2X3 BLK JAPAN	
0	56265383	1	WIRE ASSY RECTIFIER BLK	Not shown
0	56265384	1	WIRE ASSY RECTIFIER WHT	Not shown
0	56265385	1	WIRE ASSY 20 GA 2 COND	Not shown
0	56265386	1	WIRE ASSY 16 GA 4 COND	Not shown
D1	56265103	1	PONT DE DIODE	
F1	56265379	1	FUSIBLE DE BROSSE 3AMP	3 Amp
L1	56265037	1	VALVE SOLENOID 115V	TSBUS2007-966
M1	56265381	1	MOTEUR ASPIRATION 230V	
M1	56503004	1	CARBON BRUSH SET2 BRUSHES	Set of 2 - for use on 56265381 - not shown
M2	56265077	1	MOTOR 115V 1/4 HP	
M3	56265051	1	PUMP 115V	
S1	56265098	1	MICRO CONTACT	Solution/Brush
S2	56381824	1	SWITCH ROCKER DPDT ON-ON	

Note:

Pos. 0= Not Sshown

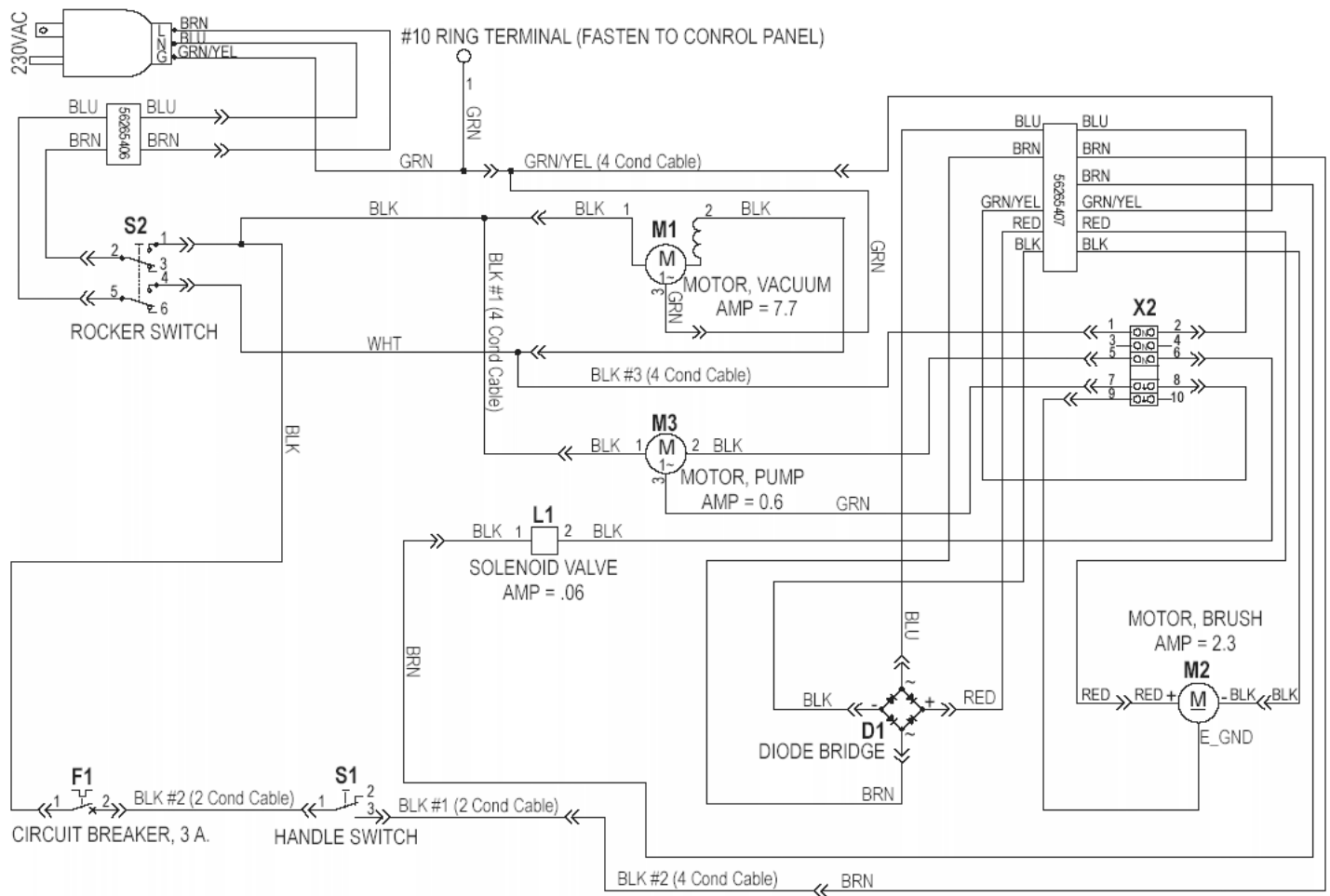
Wiring diagram (230V)

AX 310

22-02-2015

ID Liste de pièces
C19119

19



Wiring diagram (230V)

AX 310

22-02-2015

ID Liste de pièces
C19119

20

Pos	Réf. Pièce	Qté	Description	
0	56265382	1	ALIMENTATION 230V 2X1,5MM	230V - AX 310
0	56265385	1	WIRE ASSY 20 GA 2 COND	Not shown
0	56265386	1	WIRE ASSY 16 GA 4 COND	Not shown
0	56265406	1	FILTRE EMI CPLT	Not shown
0	56265407	1	FILTRE ANTI-PARASITE	Not shown
0	82179200	1	PLUG UK	
D1	56265103	1	PONT DE DIODE	
F1	56265379	1	FUSIBLE DE BROSSE 3AMP	3 Amp
L1	56265114	1	ELECTROVANNE 230V	TSBUS2007-966
M1	56265381	1	MOTEUR ASPIRATION 230V	
M1	56503004	1	CARBON BRUSH SET2 BRUSHES	Not shown
M2	56265078	1	MOTEUR DE BROSSE 230V	
M3	56265050	1	MOTEUR POMPE AX 1X230V	
S1	56265098	1	MICRO CONTACT	Solution/Brush
S2	56381824	1	SWITCH ROCKER DPDT ON-ON	

Accessoires

AX 310

22-02-2015

ID Liste de pièces
C19120

21

ACCESSORIES

AVAILABLE BRUSH

56265340 Brush Assembly 12

ACCESSORY TOOLS

56314402 Wand Assembly w/Soft and Hard Floor Tools

56265173 Wand Assembly w/Soft Floor Tool

56262209 Stand Up Wand

56220109 Hand Tool

56220070 Upholstery Hand Tool

56265368 Hose Assembly

56265174 Hose Assembly

= Revised or new since last update

Accessoires

AX 310

22-02-2015

ID Liste de pièces
C19120

22

Pos	Réf. Pièce	Qté	Description
1	56265340	1	BROSSE STD 12 31 CM
11	56314402	1	CANNE CPLT INOX ASPIRATION
12	56265173	1	WAND ASSY. W/SOFT FLOOR TOOL
13	56262209	1	CANNE INOX CPLT SANS FLEXIBLE
14	56220109	1	EMBOUCHURE FAUTEUIL
15	56220070	1	UPHOLSTERY HAND TOOL
16	56265368	1	FLEXIBLE ASPI/INJEC 2 40M
17	56265174	1	FLEXIBLE INJECT/ASPI 4,60M

Wand assembly

AX 310

22-02-2015

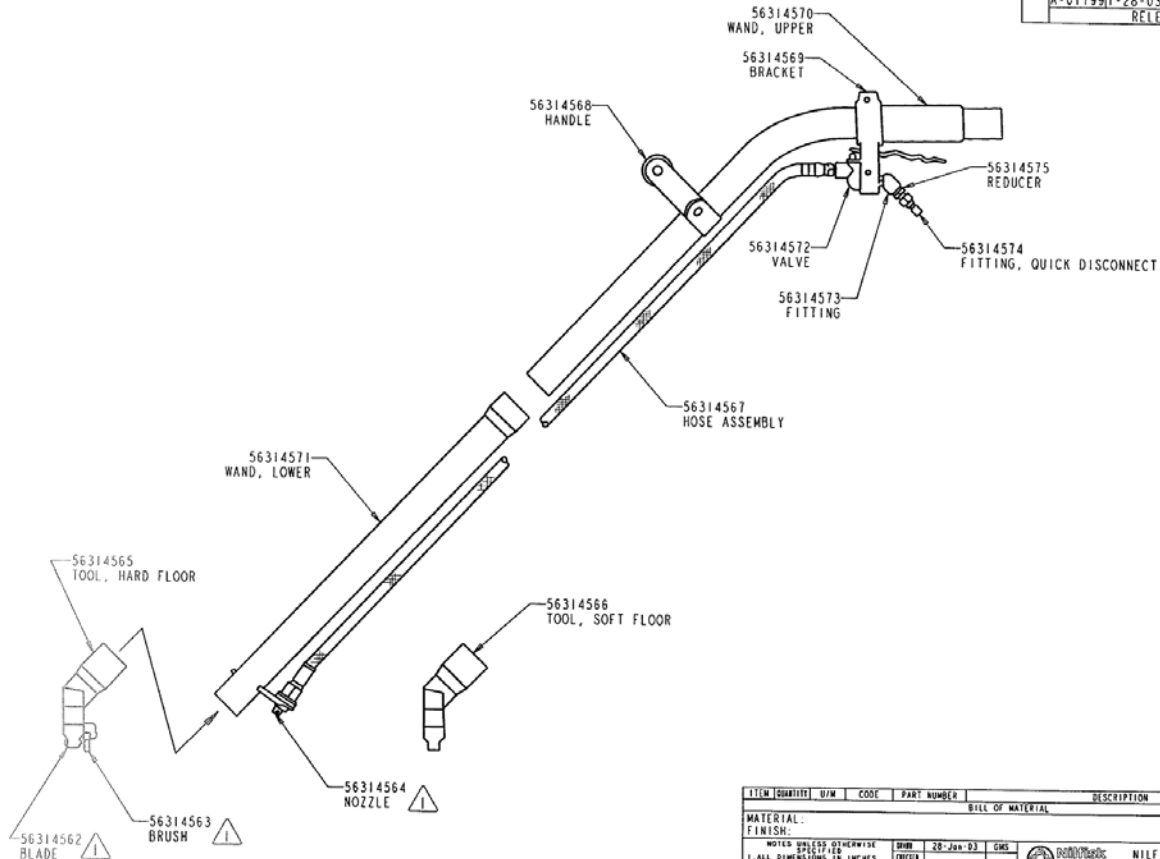
ID Liste de pièces
WANDASSEMBLY

23

SPECIFICATIONS:
VENDOR: PMF

CONFIDENTIAL
THIS DRAWING AND THE DESIGN REPRESENTED HEREIN IS THE PROPERTY OF NILFISK-ADVANCE INC. PLYMOUTH, MINNESOTA AND IT HAS BEEN ISSUED WITH THE UNDERSTANDING THAT IT WILL NOT BE REPRODUCED NOR COPIED NOR USED FOR ANY PURPOSE OTHER THAN FOR WHICH IT WAS ISSUED AND RECEIVED. RETURN TO THE ISSUING OFFICE UPON REQUEST.

DWG NO:	56314402	SHEET	REVISIONS			
REV	ECO	DATE	DFTM	APPD		
A-017991		28-03	GMS	DKL	RELEASED	



REPLACEMENT STOCK ITEMS.
NOTES-

ITEM	QUANTITY	U/M	CODE	PART NUMBER	DESCRIPTION																				
MATERIAL:																									
FINISH:																									
NOTES UNLESS OTHERWISE SPECIFIED IN DIMENSIONS, IN INCHES.																									
1. ALL DIMENSIONS, IN INCHES.																									
2. DO NOT SCALE DRAWING.																									
3. ALL DIMENSIONS APPLY AFTER FINISHING.																									
4. REMOVE ALL BURRS AND SHARP EDGES.																									
DIM. IN 1/8" ARE IN UNITS IN 1/4" ARE ISO METRIC AS NOTED.																									
<table border="1"> <tr> <td>DWG</td> <td>28-Jan-03</td> <td>GMS</td> <td rowspan="2"> </td> <td rowspan="2"> NILFISK-ADVANCE INC. PLYMOUTH, MN 55447 </td> </tr> <tr> <td>PROJ</td> <td></td> <td></td> <td>FILE</td> <td>WAND ASSEMBLY</td> </tr> <tr> <td>SIZ</td> <td>C</td> <td></td> <td>DWG NO</td> <td>56314402</td> </tr> <tr> <td colspan="3">PROJ DATA</td> <td>SHEET</td> <td>1 OF 1</td> </tr> </table>						DWG	28-Jan-03	GMS		NILFISK-ADVANCE INC. PLYMOUTH, MN 55447	PROJ			FILE	WAND ASSEMBLY	SIZ	C		DWG NO	56314402	PROJ DATA			SHEET	1 OF 1
DWG	28-Jan-03	GMS		NILFISK-ADVANCE INC. PLYMOUTH, MN 55447																					
PROJ					FILE	WAND ASSEMBLY																			
SIZ	C		DWG NO	56314402																					
PROJ DATA			SHEET	1 OF 1																					
FIRST USED ON: ADVISOR SCALE: 0.400/ASST 56314207																									

Wand assembly

AX 310

22-02-2015

ID Liste de pièces
WANDASSEMBLY

24

Pos	Réf. Pièce	Qté	Description
0	56314402	1	CANNE CPLT INOX ASPIRATION All items on drawing
5	56314565	1	EMBOUT TRIANGULAIRE SOL DUR
6	56314562	1	LAMELLE
7	56314563	1	BROSSE
8	56314564	1	GICLEUR
9	56314566	1	TOOL SOFT FLOOR
11	56314572	1	GACHETTE INJECTION
12	56314573	1	RACCORD
13	56314574	1	RACCORD RAPIDE
14	56314575	1	REDUCTEUR