

SC351

Model:
SC351 NIL



Part List Belgique

01-10-2014

Nilfisk

www.nilfisk.com

Table of Contents

SC351

GENERAL VIEW	3
COVER AND TANKS	5
FRAME SYSTEM	7
HANDLE SUPPORT SYSTEM	9
HANDLE SYSTEM	12
MOTOR AND DECK SYSTEM	15
BRUSH DECK SYSTEM	18
ACCESSORIES	20
WIRING DIAGRAM	22
RECOMMENDED SPARE PARTS	24

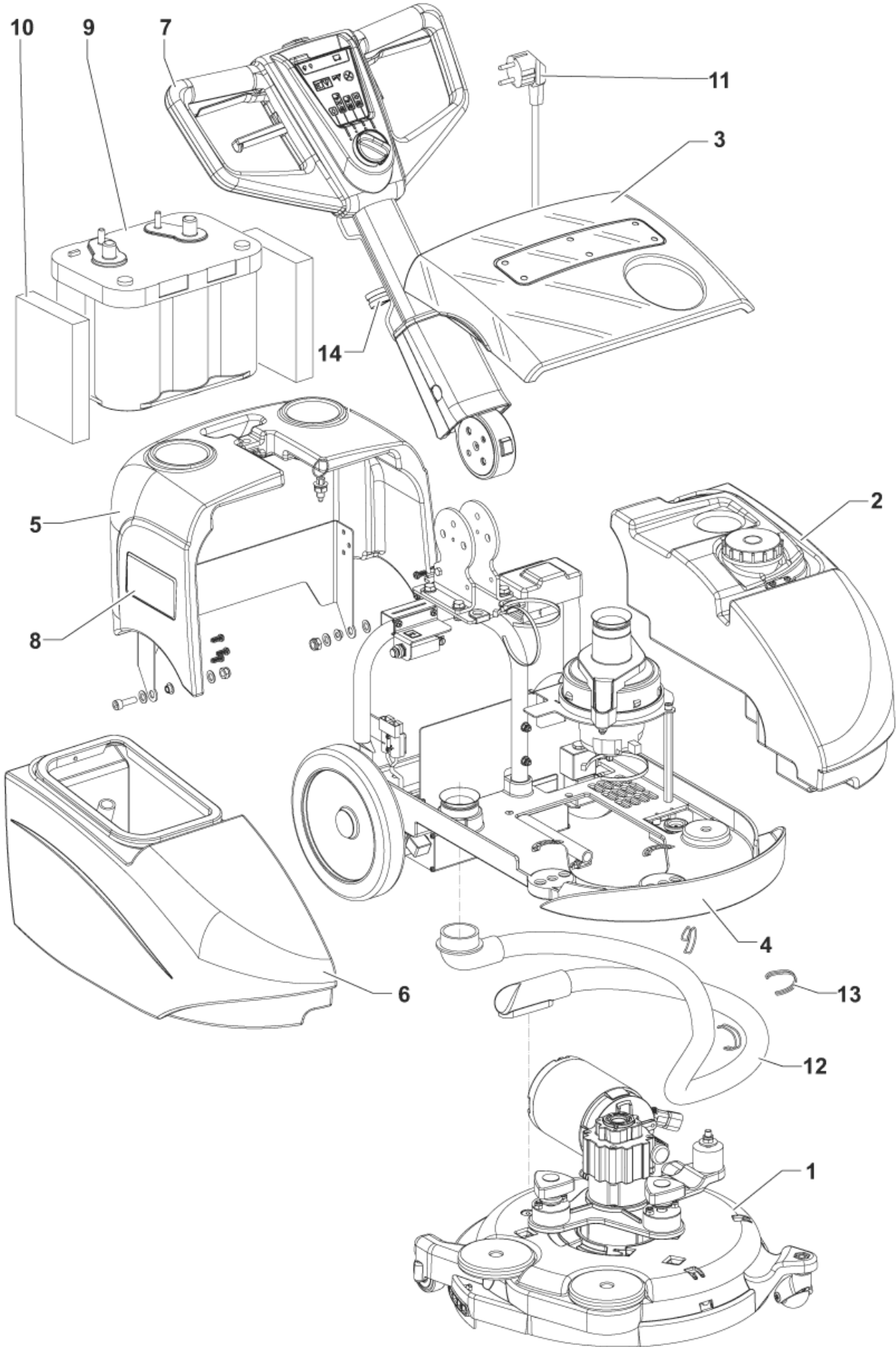
GENERAL VIEW

SC351

01-10-2014

Part List ID
SC3510010

3



GENERAL VIEW

SC351

01-10-2014

Part List ID
SC3510010

4

Pos	Part no.	Qty	Description
1		1	USE LINK
2		1	USE LINK
3		1	USE LINK
4		1	USE LINK
5		1	USE LINK
6		1	USE LINK
7		1	USE LINK
8	910000079	1	DECALS KIT SC351 NIL
9	1464853000	1	Batterij 12V - 84 Ah gel OPTIONAL
9	1464853000	1	BATTERIE 12V 84AH OPTIONAL
9	9098977000	1	Batterij 12V - 55 Ah
9	9098977000	1	BATTERIE 12V 55AH
10	9098934000	2	PANEL BATTERY 30X170X110MM
11	909 5676 000	1	CABLE EXTENSION UK PLUG
11	9098676000	1	Netsnoer voor lader EU
11	9098676000	1	CABLE D ALIMENTATION DU CHARGEUR
12	9099706000	1	Zuigslang D.25
12	9099706000	1	TUBE D'ASPIRATION D25MM
13	9100000213	1	KIT RESSORT
13	9100000213	1	KIT RESSORTS DE FIXATION TUYAU D ASPIR
14	9099301000	1	Hardware kit SC 351
14	9099301000	1	KIT VISSERIE

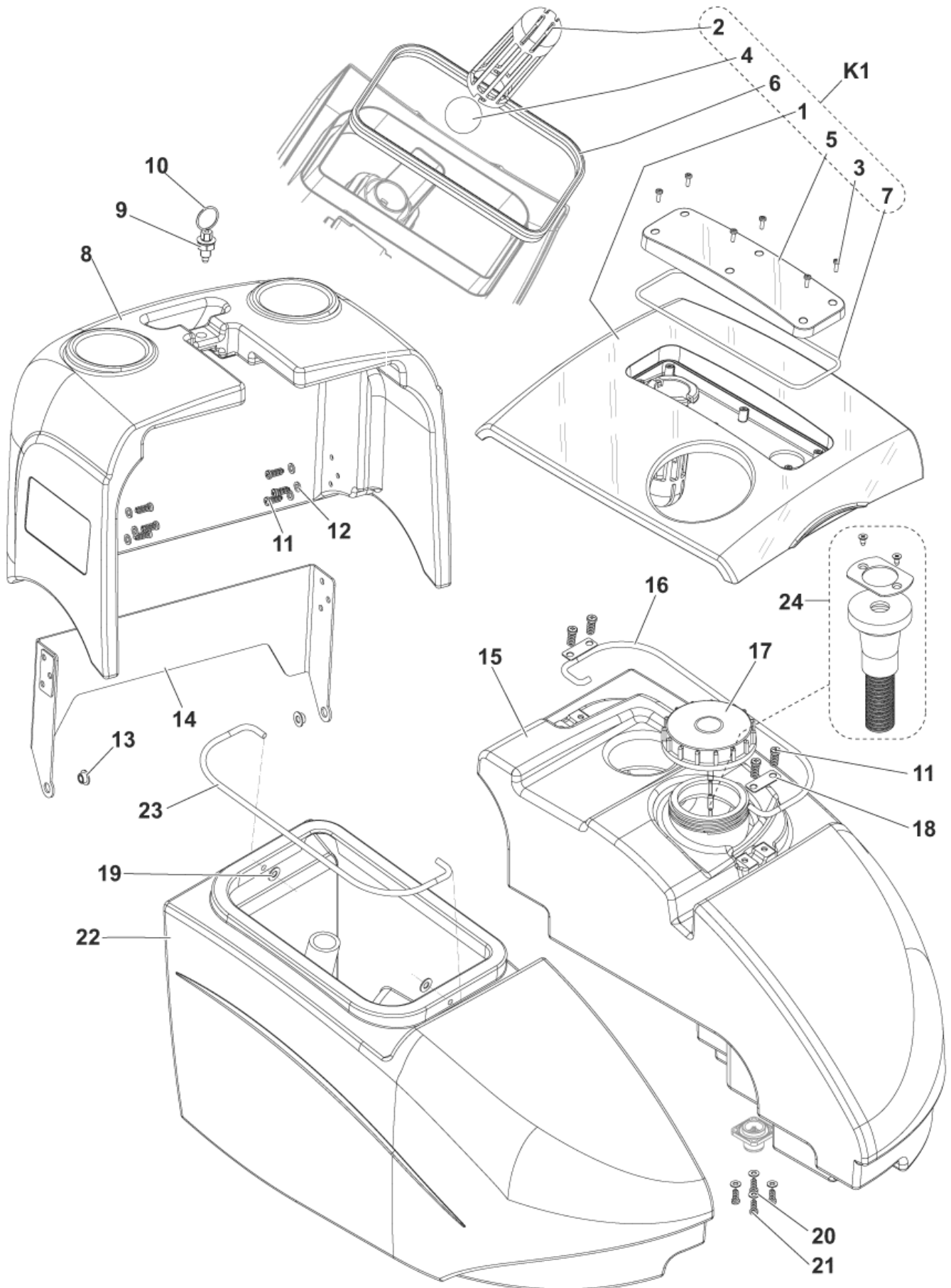
COVER AND TANKS

SC351

01-10-2014

Part List ID
SC3510020

5



COVER AND TANKS

SC351

01-10-2014

Part List ID
SC3510020

6

Pos	Part no.	Qty	Description	
1		1	NOTE COMMENT	K1
2	L08603088	1	Vlotterhuis CA 340	K1
2	L08603088	1	FLOTTEUR	K1
3		6	NOTE COMMENT	K1-K2
4	L08092600	1	Ventielkogel	K1
4	L08092600	1	BALLE FLOTTEUR	K1
5		1	NOTE COMMENT	K1
6	9099127000	1	Pakking schoonwatertankdeksel	K1
6	9099127000	1	JOINT POUR RESERVOIR GRIS	K1
7		1	NOTE COMMENT	K1
8	9098318000	1	BATTERY COVER	
9	145 1147 000	1	Veer	
9	145 1147 000	1	RONDELLE 10,2X18,8X0,35	
10	146 2449 000	1	Plunjer index	
10	146 2449 000	1	PISTON DE COLONNE DE DIRECTION	
11		10	NOTE COMMENT	K2
12		6	NOTE COMMENT	K2
13		2	NOTE COMMENT	K2
14	9098309000	1	SUPPORT BATTERY COVER	
15	9098149000	1	TANK SOLUTION RAL 7001	
15	9098149000	1	RESERVOIR DE SOLUTION RAL701	
16	9100000104	1	HANDLE SOLUTION TANK	
17	9099155000	1	TANDKOP	
17	9099155000	1	BOUCHON DE RESERVOIR 70X5	
18	9098621000	2	JUMPER CLAMP HANDVAT	
18	9098621000	2	CAVALIER DE SERRAGE DE POIGNEE	
19	9098473000	2	Asdop	
19	9098473000	2	CAPUCHON D'AXE	
20		4	NOTE COMMENT	K2
21		4	NOTE COMMENT	K2
22	9098148000	1	Vuilwatertank SC 350 RAL7001	
22	9098148000	1	RESERVOIR EAU SALE RAL 7001	
23	9100000103	1	HANDLE RECOVERY TANK	
24	9099011000	1	Vulslang kit	OPTIONAL
24	9099011000	1	FLEXIBLE DE REMPLISSAGE	OPTIONAL
K1	9098989000	1	COVER KIT	
K1	9098989000	1	KIT COUVERCLE	
K2	9098990000	1	HARDWARE KIT COVER EN TANK	NOT SHOWN
K2	9098990000	1	KIT VISSERIE DE COUVERCLE ET RESERVOIR	NOT SHOWN

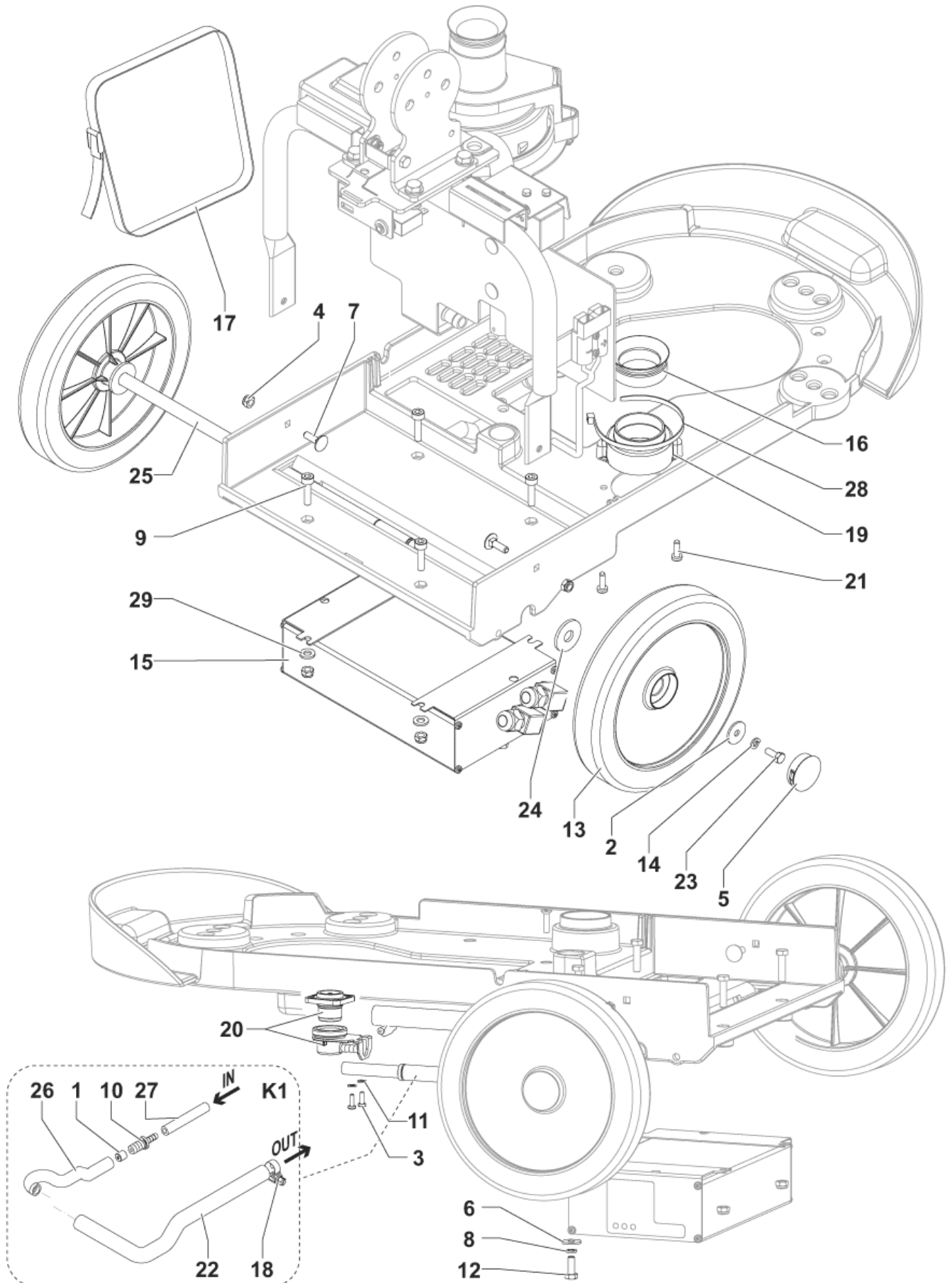
FRAME SYSTEM

SC351

01-10-2014

Part List ID
SC3510030

7



FRAME SYSTEM

SC351

01-10-2014

Part List ID
SC3510030

8

Pos	Part no.	Qty	Description	
1		1	NOTE COMMENT	K1
2		2	NOTE COMMENT	K2
3		2	NOTE COMMENT	K2
4		3	NOTE COMMENT	K2
5		2	NOTE COMMENT	K2
6		2	NOTE COMMENT	K2
7		2	NOTE COMMENT	K2
8		3	NOTE COMMENT	K2
9		4	NOTE COMMENT	K2
10		1	NOTE COMMENT	K1
11		2	NOTE COMMENT	K2
12		2	NOTE COMMENT	K2
13	9099732000	2	Wiel D.214	
13	9099732000	2	ROUE ARRIERE D214MM	
14		2	NOTE COMMENT	K2
15	9099793000	1	Inbouwlader 12V 12 Ah	UNTIL AT END OF STOCKS
15	9099793000	1	CHARGEUR 12V 12A EU	UNTIL AT END OF STOCKS
15	9099795000	1	CHARGER BATT. O/B 12V 12A 100-230V JP	FOR JAPANESE MARKET ONLY
16	9098319000	1	GASKET	
16	9098319000	1	JOINT	
17	146 3054 000	1	BELT BATTERY FIXING	
18		1	NOTE COMMENT	K1
19	9099719000	1	SUPPORT FOR GASKET	
20	9098697000	1	VALVE WATER COMPLETE	
20	9098697000	1	KIT ROBINET	
21		2	NOTE COMMENT	K1
22		1	NOTE COMMENT	K2
23		2	NOTE COMMENT	K2
24		2	NOTE COMMENT	K2
25	9099352000	1	PIN D.12	
26		1	NOTE COMMENT	K1
27		1	NOTE COMMENT	K1
28		1	NOTE COMMENT	K2
29		4	NOTE COMMENT	K2
K1	9098992000	1	Hose KIT	Valid only for Electrovalve 9098112000
K1	9098992000	1	KIT TUBES	Valid only for Electrovalve 9098112000
K2	9100000083	1	HARDWARE CHASSIS KIT	NOT SHOWN

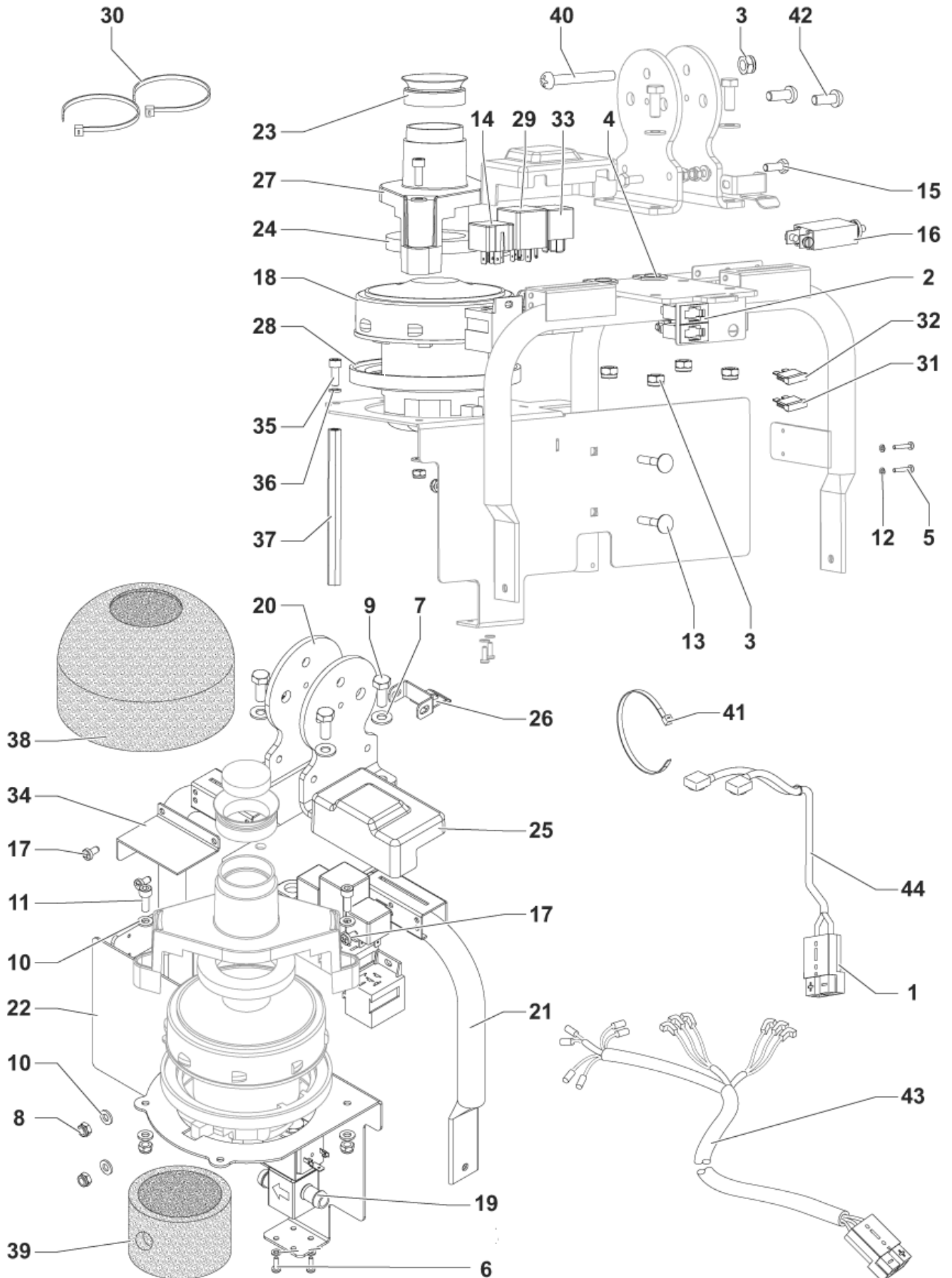
HANDLE SUPPORT SYSTEM

SC351

01-10-2014

Part List ID
SC3510040

9



HANDLE SUPPORT SYSTEM

SC351

01-10-2014

Part List ID
SC3510040

10

Pos	Part no.	Qty	Description	
1	9098760000	2	CONNECTOR 50A GREY	
1	9098760000	2	CONNECTEUR BATTERIE 50A	
2	9098924000	2	FUSE HOLDER	
3		5	NOTE COMMENT	K1
4	909 6542 000	2	dichtingsring	
4	909 6542 000	2	ISOLANT	
5		2	NOTE COMMENT	K1
6		3	NOTE COMMENT	K1
7		4	NOTE COMMENT	K1
8		8	NOTE COMMENT	K1
9		4	NOTE COMMENT	K1
10		8	NOTE COMMENT	K1
11		2	NOTE COMMENT	K1
12		2	NOTE COMMENT	K1
13		2	NOTE COMMENT	K1
14	9098441000	1	RELAY 12V	
14	9098441000	1	RELAIS D ASPIRATION 12V	
15		2	NOTE COMMENT	K1
16	9099802000	1	Zekering 35A	
16	9099802000	1	KIT DISJONCTEUR 35A	
17		4	NOTE COMMENT	K1
18	9100000674	1	MOTOR VACUUM 12V 200W PKD	
19	9098112000	1	SOLENOID VALVE 12V	
19	9098112000	1	ELECTRO VANNE 12V	
20	9098185000	2	BRACKET HANDLE	
21	9098267000	1	SUPPORT HANDLE	
22	9098268000	1	SUPPORT VACUUM MOTOR	
23	9098319000	1	GASKET	
23	9098319000	1	JOINT	
24	9098327000	1	GASKET VACUUM MOTOR	
24	9098327000	1	JOINT MOTEUR D'ASPIRATION	
25	9098365000	1	COVER RELAY	
26	9098482000	1	BRACKET PLUNGER BLOCK	
27	9098483000	1	COVER VACUUM MOTOR	
28	9098554000	1	Pakking Zuigmotor	
28	9098554000	1	JOINT MOTEUR ASPIRATION	
29	9098375000	1	TIMER CYCLICAL	
29	9098375000	1	CONTACT TEMPORISE DE BROSSE	
30		2	NOTE COMMENT	K1
31	145 8513 000	1	Zekering 30A P365	
31	145 8513 000	1	FUSIBLE 30 A	
32	145 9852 000	1	Zekering 5A diablo	
32	145 9852 000	1	FUSIBLE 5 A	

HANDLE SUPPORT SYSTEM

SC351

01-10-2014

Part List ID
SC3510040

11

Pos	Part no.	Qty	Description	
33	146 3113 000	1	Relais 12V 70Ah Tyco	
33	146 3113 000	1	RELAIS 12V 70 A	
34	9099731000	1	SUPPORT CIRCUIT BRAKER	
35		2	NOTE COMMENT	K1
36		3	NOTE COMMENT	K1
37	9098559000	1	SPACER SUPPORT VACUUM MOTOR	
38	9098656000	1	Behuizing Zuigmotor	
38	9098656000	1	CASIER MOTEUR ASPIRATION	
39	9098925000	1	Onderkap zuigmotor	
39	9098925000	1	CASIER ACCOUSTIQUE MOTEUR ASPIRATION	
40		1	NOTE COMMENT	K1
41		4	NOTE COMMENT	K1
42		2	NOTE COMMENT	K1
43	9099330000	1	HARNES MACHINE	Valid only for Solenoid valve 9098112000
43	L08603885	1	CONNECTOR TYPE DIN 46340	Valid only for Solenoid valve 9100000475
43	L08603885	1	CONNECTEUR TYPE DIN 46340	Valid only for Solenoid valve 9100000475
44	9098849000	1	Batterij bekabeling	
44	9098849000	1	CABLAGE BATTERIE	
K1	9100000084	1	HARDWARE HANDLE BAR SUPPORT KIT	NOT SHOWN

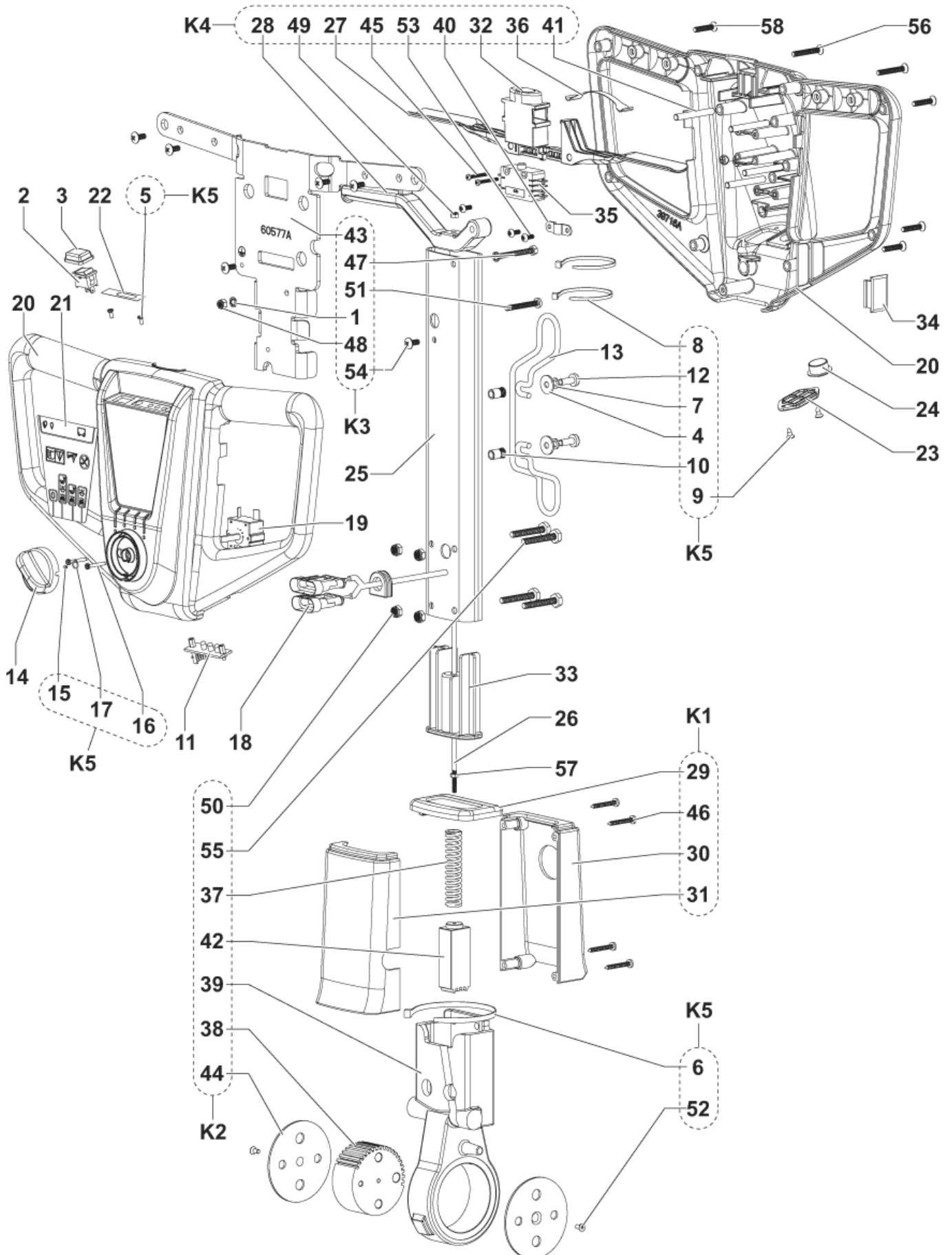
HANDLE SYSTEM

SC351

01-10-2014

Part List ID
SC3510050

12



HANDLE SYSTEM

SC351

01-10-2014

Part List ID
SC3510050

13

Pos	Part no.	Qty	Description	
1		3	NOTE COMMENT	K3
2	L08603153	1	Schakelaar CA 340	
2	L08603153	1	INTERRUPTEUR DE POMPE	
3	L08603154	1	Schakelaarkapje CA340	
3	L08603154	1	PROTEGE INTERRUPTEUR	
4		2	NOTE COMMENT	K5
5		2	NOTE COMMENT	K5
6		1	NOTE COMMENT	K5
7		2	NOTE COMMENT	K5
8		2	NOTE COMMENT	K5
9		2	NOTE COMMENT	K5
10		2	NOTE COMMENT	K5
11	146 3073 000	1	BOARD LED	
12		2	NOTE COMMENT	K5
13	909 5149 000	1	Kabel haspel	
13	909 5149 000	1	SUPPORT CABLE	
14	9097283000	1	BEDIENINGSFUNCTIE KNOOP	
14	9097283000	1	BOUTON DE CONTROLE	
15		1	NOTE COMMENT	K5
16		2	NOTE COMMENT	K5
17		1	NOTE COMMENT	K5
18	9099331000	1	HARNESS HANDLE BAR	
19	9099332000	1	Draaibare schakelaar 4 standen	
19	9099332000	1	INTERRUPTION ROTATIF 4 POSITIONS	
20	9100000101	1	COVERS HANDLE GREY KIT	
21	9099733000	1	DECAL CONTROL PANEL	
22	9098616000	1	STICKER BATTERIJCONTROLE	
22	9098616000	1	ADHESIF DE CONTROLE BATTERIE	
23	9098812000	1	CAP FOR HANDLE	
24	9098813000	1	CAP D.18.5/D.24MM BLACK	
25	9098835000	1	TUBE OF HANDLE	
25	9098835000	1	TUBE DE MANCHE	
26	9098836000	1	Trekstang D.4 405mm	
26	9098836000	1	TIGE DE MANCHE	
27		2	NOTE COMMENT	K4
28		1	NOTE COMMENT	K4
29		1	NOTE COMMENT	K1
30		1	NOTE COMMENT	K1
31		1	NOTE COMMENT	K1
32		1	NOTE COMMENT	K4
33	VF47033	1	RETAINER	
34	VF54041	1	HANDLE PLUG	
35	40263A	1	Switch DPST	

HANDLE SYSTEM

SC351

01-10-2014

Part List ID
SC3510050

14

Pos	Part no.	Qty	Description	
35	40263A	1	INTERRUPTEUR PRINCIPAL HOMME MORT	
36		1	NOTE COMMENT	K4
37		1	NOTE COMMENT	K2
38		1	NOTE COMMENT	K2
39		1	NOTE COMMENT	K2
40		1	NOTE COMMENT	K4
41		4	NOTE COMMENT	K4
42		1	NOTE COMMENT	K2
43		1	NOTE COMMENT	K3
44		2	NOTE COMMENT	K2
45		2	NOTE COMMENT	K4
46		4	NOTE COMMENT	K1
47		1	NOTE COMMENT	K3
48		1	NOTE COMMENT	K3
49		1	NOTE COMMENT	K4
50		4	NOTE COMMENT	K2
51		1	NOTE COMMENT	K3
52		2	NOTE COMMENT	K5
53		3	NOTE COMMENT	K4
54		6	NOTE COMMENT	K3
55		4	NOTE COMMENT	K2
56	80398A	2	SCREW M5X35 SS HEAD PHILLIPS	
57	VV13609	1	NUT M4	
58	80407A	4	SCREW M5X25 SS FLAT HEAD PHILLIPS	
K1	11271A	1	REAR AND FRONT COVER KIT	
K2	11272A	1	LOWER HOUSING KIT	
K3	11273A	1	HANDLE SUPPORT KIT	
K4	11274A	1	KIT BEDIENINGSHANDVAT	
K4	11274A	1	KIT POIGNEE LEVIER DE COMMANDE	
K5	9098995000	1	HARDWARE HANDLE BAR KIT	

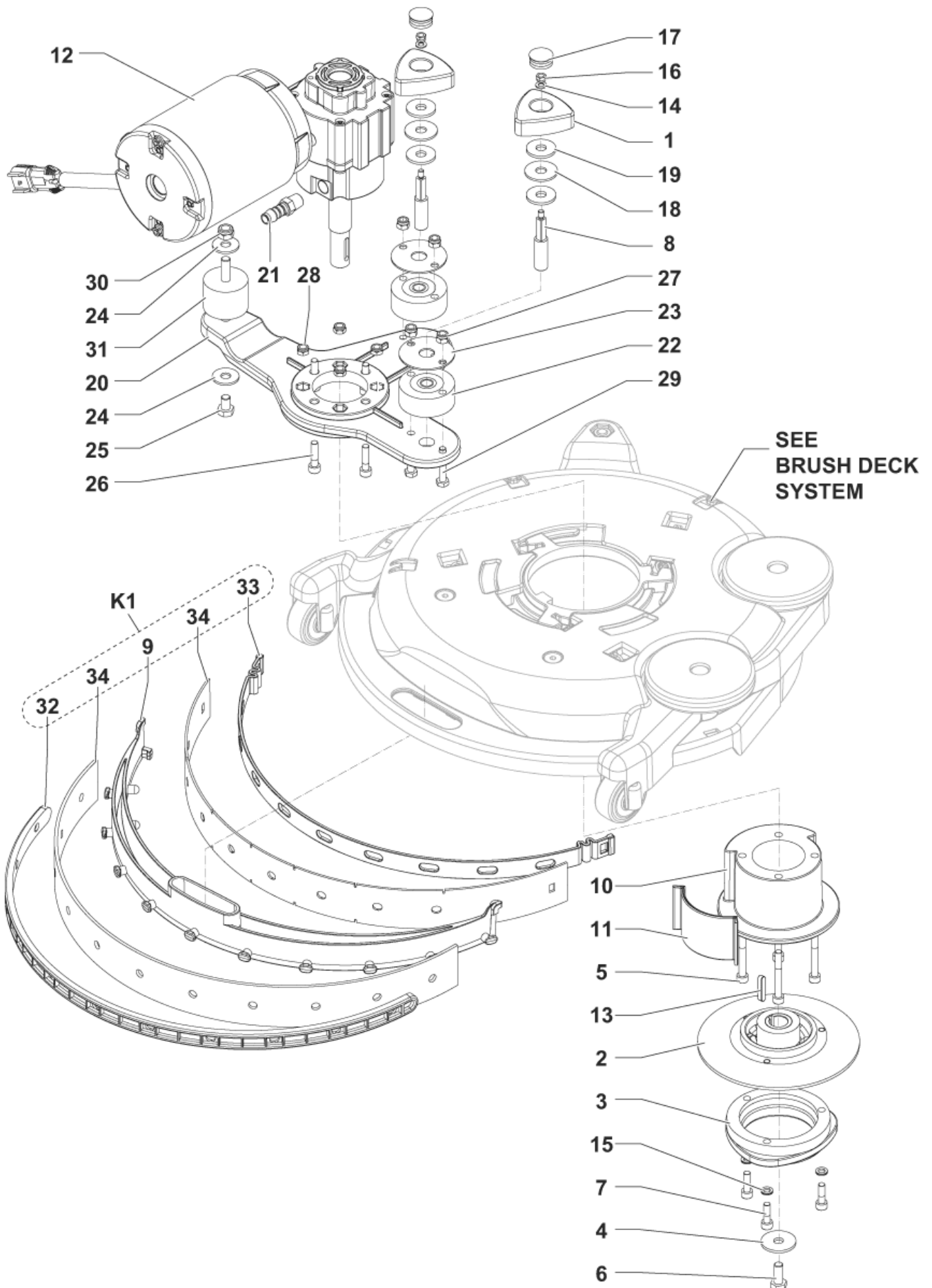
MOTOR AND DECK SYSTEM

SC351

01-10-2014

Part List ID
SC3510060

15



MOTOR AND DECK SYSTEM

SC351

01-10-2014

Part List ID
SC3510060

16

Pos	Part no.	Qty	Description	
1	L08812203	2	Knop	
1	L08812203	2	MOLETTE	
2	L08812306	1	Naaf , rechter aandr.borst	
2	L08812306	1	SUPPORT ENCLENCHEUR BROSS	
3	L08812480	1	Flens borstel BA 450/530	
3	L08812480	1	ENCLENCHEUR NU	
4		1	NOTE COMMENT	K2
5		4	NOTE COMMENT	K2
6		1	NOTE COMMENT	K2
7		3	NOTE COMMENT	K2
8	9098557000	2	PIN BRUSH PLATE FIXING	
9		1	NOTE COMMENT	K1
10	9099717000	1	FLANGE DECK	
11	9099736000	1	SPACER LIMIT	
12	9100000679	1	REDUCTION GEARMOTOR 260W 12V PKD	
13	145 8024 000	1	Tab 5x5x25	
13	145 8024 000	1	CLAVETTE	
14		2	NOTE COMMENT	K2
15		3	NOTE COMMENT	K2
16		2	NOTE COMMENT	K2
17	L08812426	2	Dop knop	
17	L08812426	2	BOUCHON	
18		2	NOTE COMMENT	
19		4	NOTE COMMENT	
20	9099718000	1	SUPPORT DECK	
21	L08601624	1	Verlooprubber	Valid only for Hoses Kit 9098992000
21	L08601624	1	RACCORD 1/4 ROBINET DOS	Valid only for Hoses Kit 9098992000
22	L08812213	2	Buffer	
22	L08812213	2	AMORTISSEUR SILENT BLOCK	
23	L08812779	2	Beschermplaat	
23	L08812779	2	PLAQUE SUPORT	
24		2	NOTE COMMENT	K2
25		1	NOTE COMMENT	K2
26		4	NOTE COMMENT	K2
27		4	NOTE COMMENT	K2
28		4	NOTE COMMENT	K2
29		4	NOTE COMMENT	K2
30		1	NOTE COMMENT	K2
31	9097184000	1	Vibratie demper M8	
31	9097184000	1	SILENT BLOCS M8	
32	9099707000	1	STRAP ELASTIC REAR	K1
32	9099707000	1	BARRE DE MAINTIEN DE LAMELLE ARRIERE	K1
33	9099708000	1	STRAP ELASTIC FRONT	K1

MOTOR AND DECK SYSTEM

SC351

01-10-2014

Part List ID
SC3510060

17

Pos	Part no.	Qty	Description	
33	9099708000	1	BARRE DE MAINTIEN DE LAMELLE AVANT	K1
34	9100000077	1	Zuigstripset 14 inch PU	K1
34	9100000077	1	KIT LAMELLES PUR 370MM 14"	K1
34	9100000302	1	LAMELLES ROUGE 370MM	OPTION
34	9100000302	1	KIT LAMELLES LINATEX 370MM	OPTION
K1	9100000085	1	Zuigmond 438MM/17	
K1	9100000085	1	EMBOUCHURE COMPLETE 438MM/17	
K2	9100000086	1	HARDWARE MOTOR AND DECK KIT	NOT SHOWN

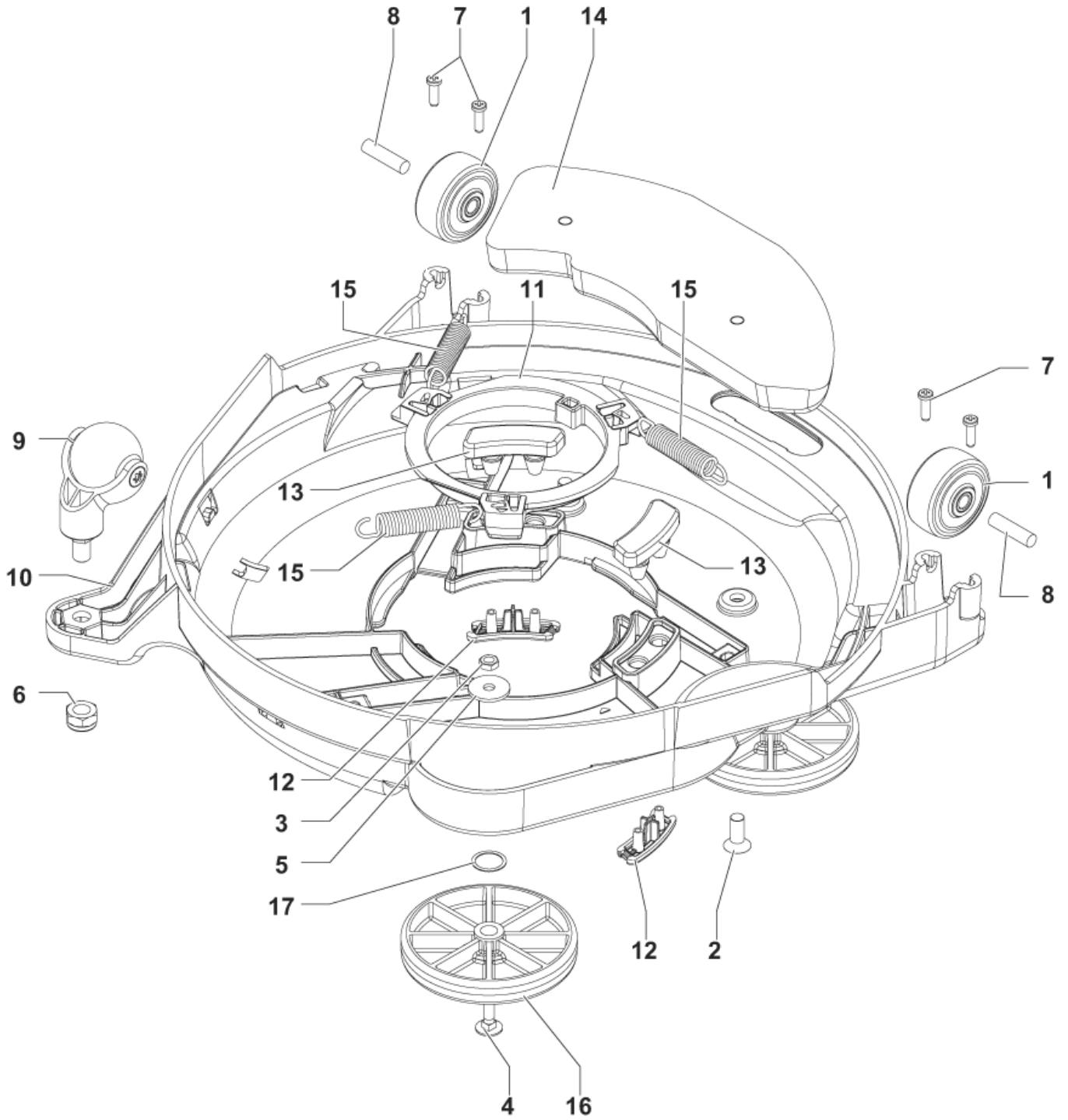
BRUSH DECK SYSTEM

SC351

01-10-2014

Part List ID
SC3510070

18



BRUSH DECK SYSTEM

SC351

01-10-2014

Part List ID
SC3510070

19

Pos	Part no.	Qty	Description	
1	910000559	2	WHEEL D.51 GREY PKD	
1	910000559	2	ROULETTE GRISE D EMBOUCHURE D51	
2		2	NOTE COMMENT	K2
3		2	NOTE COMMENT	K2
4		2	NOTE COMMENT	K2
5		2	NOTE COMMENT	K2
6		1	NOTE COMMENT	K2
7		4	NOTE COMMENT	K2
8		2	NOTE COMMENT	K2
9	9099163000	1	WHEEL CASTOR D.42	
9	9099163000	1	ROUE PIVOTANTE PLATEAU BROSSEUR D42	
10	9099712000	1	Borsteldeck 350MM/14	
10	9099712000	1	COUVERCLE DE BROSSE 350MM/14	
11	9099713000	1	Centrale flens	
11	9099713000	1	BRIDE	
12		2	NOTE COMMENT	K1
13		2	NOTE COMMENT	1K
14	9100000040	1	COUNTERWEIGHT	
15	9099720000	3	SPRING TRACTION	
16	30048A	2	Wheel guide 4 inch	
16	30048A	2	ROUE	
17		2	NOTE COMMENT	K2
K1	9100000087	1	CLUTCH KIT	NOT SHOWN
K1	9100000087	1	KIT EMBRAYAGE	NOT SHOWN
K2	9100000088	1	HARDWARE BRUSH DECK KIT	NOT SHOWN
K2	9100000088	1	KIT VISSERIE DE PLATEAU BROSSEUR	NOT SHOWN

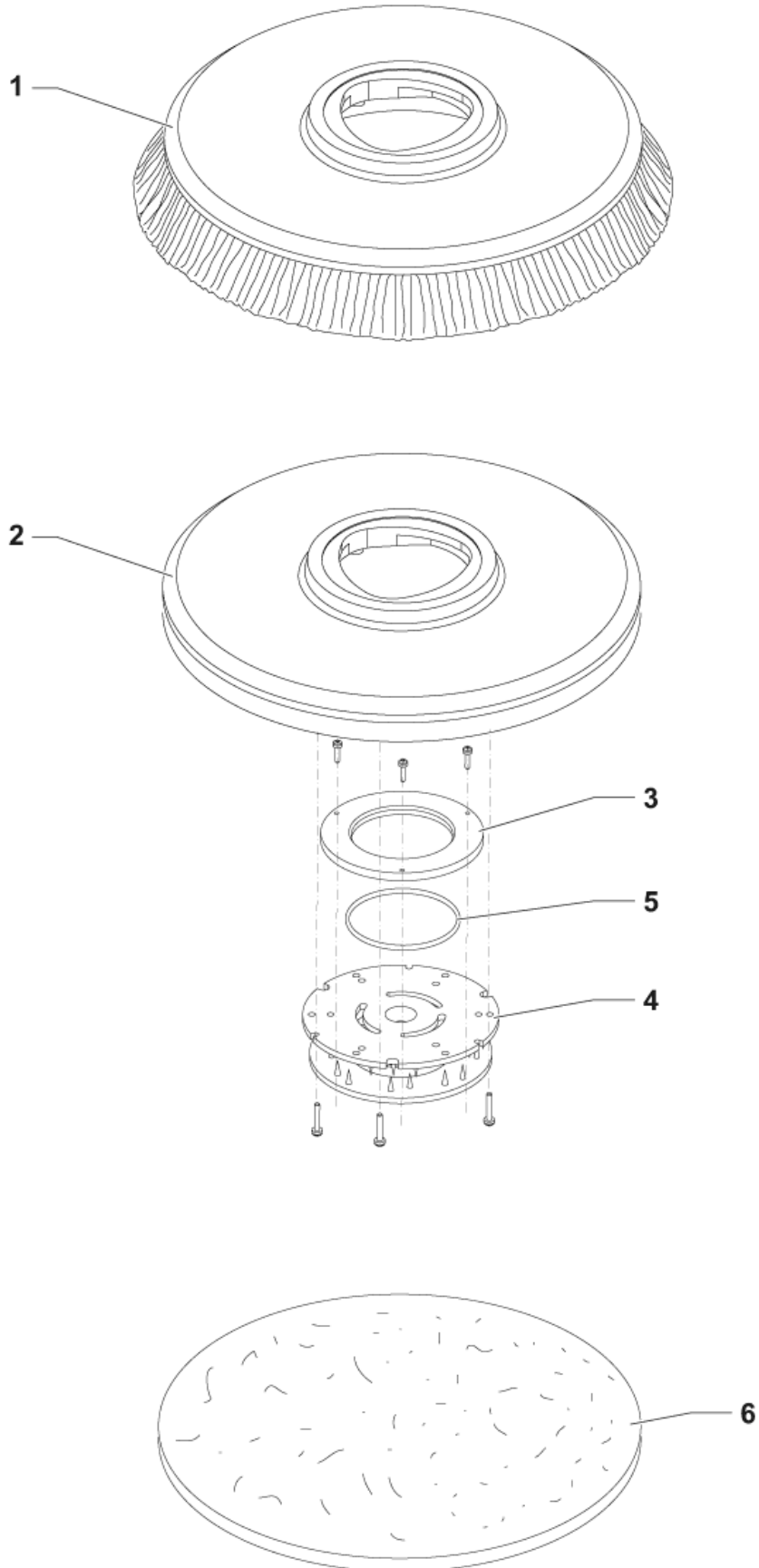
ACCESSORIES

SC351

01-10-2014

Part List ID
SC3510080

20



ACCESSORIES

SC351

01-10-2014

Part List ID
SC3510080

21

Pos	Part no.	Qty	Description	
0	910000302	1	LAMELLES ROUGE 370MM	OPTIONAL
0	910000302	1	KIT LAMELLES LINATEX 370MM	OPTIONAL
1	9099999000	1	Borstel Ø 370 mm 14 prolene PPL	
1	9099999000	1	BROSSE D370MM 14 PROLENE PPL	
1	9100000000	1	Borstel 14 inch union mix 370 mm	OPTIONAL
1	9100000000	1	BROSSE D.370MM 14 UNION MIX	OPTIONAL
1	9100000001	1	Borstel 14 inch Prolite PPL	OPTIONAL
1	9100000001	1	BROSSE D.370MM 14 PROLITE PPL	OPTIONAL
1	9100000002	1	Borstel 14 inch mid grit 240	OPTIONAL
1	9100000002	1	BROSSE D.370MM 14 MID GRIT 240	OPTIONAL
1	9100000003	1	Borstel 14 inch midlite grit 180	OPTIONAL
1	9100000003	1	BROSSE D.370MM 14 MIDLITE GRIT 180	OPTIONAL
2	9099672000	1	Padhouder 14 inch 355 mm	
2	9099672000	1	PLATEAU SUPPORT DISQUE 355MM 14"	
3	L08603966	1	Ny lon ring	
3	L08603966	1	JOINT PLATEAU	
4	L08837030	1	Center Lok 3	
4	L08837030	1	FLASQUE DE CENTREUR DISQU	
5	L08603965	1	O-RING 2.62X82.22 -3325-NBR 40SH	
6	10001918	1	Pads 14 inch Eco bruin 5 st.	OPTIONAL
6	10001918	1	LOT DE 5 DISQUES MARRON ECOPAD DIAM 355	OPTIONAL
6	10001919	1	Pads 14 inch Eco groen 5 st.	OPTIONAL
6	10001919	1	LOT DE 5 DISQUES VERT ECOPAD DIAM 355	OPTIONAL
6	10001920	1	Pads 14 inch Eco rood 5 st.	OPTIONAL
6	10001920	1	LOT DE 5 DISQUES ROUGE ECOPAD DIAM 355	OPTIONAL
6	10001921	1	Pads 14 inch Eco wit 5 st.	OPTIONAL
6	10001921	1	LOT DE 5 DISQUES BLANC ECOPAD DIAM 355	OPTIONAL

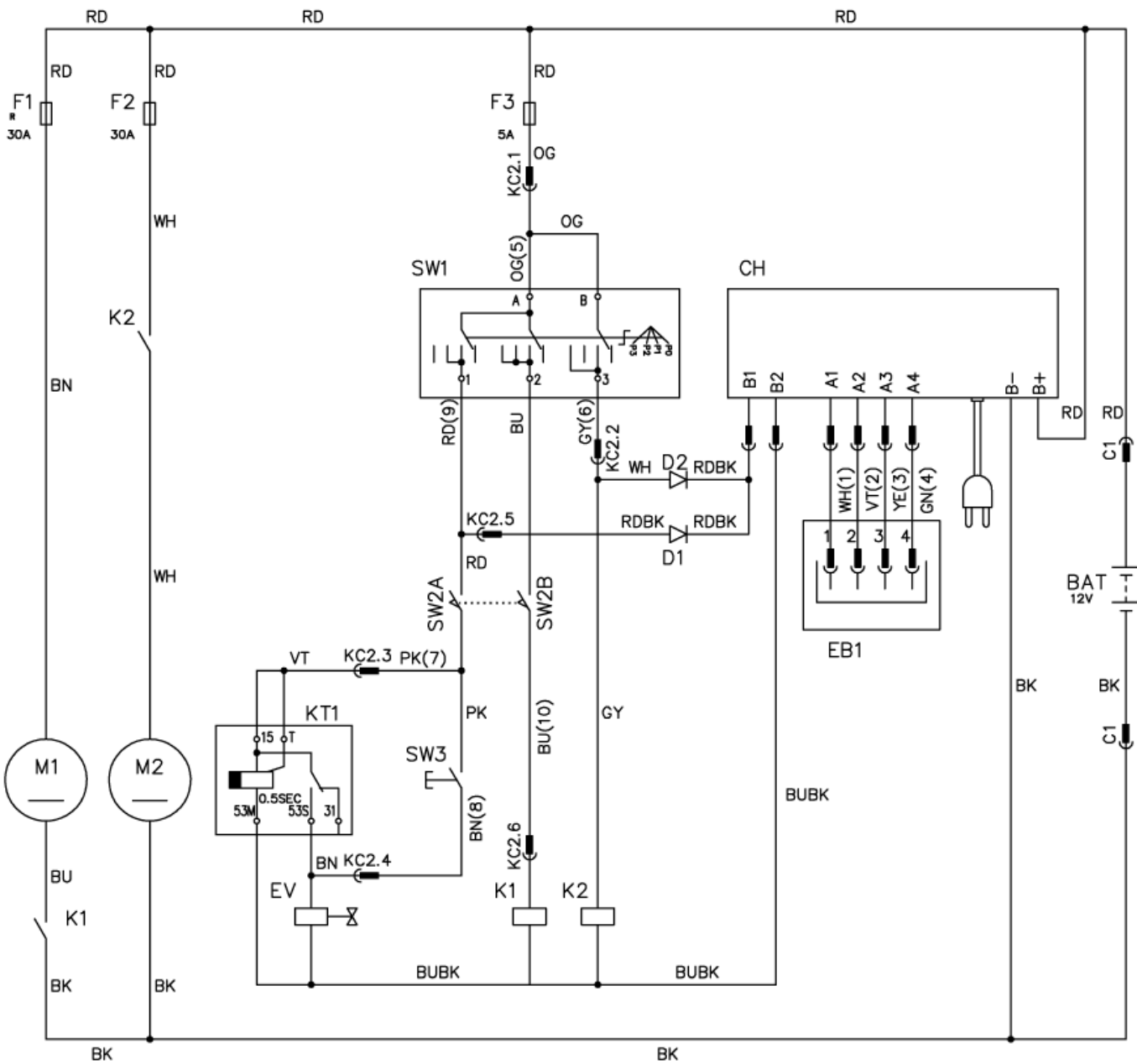
WIRING DIAGRAM

SC351

01-10-2014

Part List ID
SC3510090

22



WIRING DIAGRAM

SC351

01-10-2014

Part List ID
SC3510090

23

Pos	Part no.	Qty	Description
CH	9099793000	1	Inbouwlader 12V 12 Ah
CH	9099793000	1	CHARGEUR 12V 12A EU
D1		1	NOTE COMMENT
D2		1	NOTE COMMENT
EV	9098112000	1	SOLENOID VALVE 12V
EV	9098112000	1	ELECTRO VANNE 12V
F1	9099802000	1	Zekering 35A
F1	9099802000	1	KIT DISJONCTEUR 35A
F2	145 8513 000	1	Zekering 30A P365
F2	145 8513 000	1	FUSIBLE 30 A
F3	145 9852 000	1	Zekering 5A diablo
F3	145 9852 000	1	FUSIBLE 5 A
K1	146 3113 000	1	Relais 12V 70Ah Tyco
K1	146 3113 000	1	RELAIS 12V 70 A
K2	9098441000	1	RELAY 12V
K2	9098441000	1	RELAIS D ASPIRATION 12V
M1	9100000679	1	REDUCTION GEARMOTOR 260W 12V PKD
M2	9100000674	1	MOTOR VACUUM 12V 200W PKD
BAT	9098977000	1	Batterij 12V - 55 Ah
BAT	9098977000	1	BATTERIE 12V 55AH
EB1	146 3073 000	1	BOARD LED
KT1	9098375000	1	TIMER CYCLICAL
KT1	9098375000	1	CONTACT TEMPORISE DE BROSSE
SW1	9099332000	1	Draibare schakelaar 4 standen
SW1	9099332000	1	INTERRUPTION ROTATIF 4 POSITIONS
SW2	40263A	1	Switch DPST
SW2	40263A	1	INTERRUPTEUR PRINCIPAL HOMME MORT
SW3	L08603153	1	Schakelaar CA 340
SW3	L08603153	1	INTERRUPTEUR DE POMPE

RECOMMENDED SPARE PARTS

SC351

01-10-2014

Part List ID
SC3510100

24

No Drawing For Part List

RECOMMENDED SPARE PARTS

SC351

01-10-2014

Part List ID
SC3510100

25

Pos	Part no.	Qty	Description	
0	145 8513 000	1	Zekering 30A P365	EM
0	145 8513 000	1	FUSIBLE 30 A	EM
0	145 9852 000	1	Zekering 5A diablo	EM
0	145 9852 000	1	FUSIBLE 5 A	EM
0	146 3113 000	1	Relais 12V 70Ah Tyco	EM
0	146 3113 000	1	RELAIS 12V 70 A	EM
0	30048A	2	Wheel guide 4 inch	EM
0	30048A	2	ROUE	EM
0	40263A	1	Switch DPST	EM
0	40263A	1	INTERRUPTEUR PRINCIPAL HOMME MORT	EM
0	9098112000	1	SOLENOID VALVE 12V	EM
0	9098112000	1	ELECTRO VANNE 12V	EM
0	9098319000	2	GASKET	OM
0	9098319000	2	JOINT	OM
0	9098327000	1	GASKET VACUUM MOTOR	OM
0	9098327000	1	JOINT MOTEUR D'ASPIRATION	OM
0	9098375000	1	TIMER CYCLICAL	EM
0	9098375000	1	CONTACT TEMPORISE DE BROSSE	EM
0	9098441000	1	RELAY 12V	EM
0	9098441000	1	RELAIS D ASPIRATION 12V	EM
0	9098697000	1	VALVE WATER COMPLETE	EM
0	9098697000	1	KIT ROBINET	EM
0	9098760000	2	CONNECTOR 50A GREY	EM
0	9098760000	2	CONNECTEUR BATTERIE 50A	EM
0	9098992000	1	Hose KIT	EM
0	9098992000	1	KIT TUBES	EM
0	9099127000	1	Pakking schoonwatertankdeksel	OM
0	9099127000	1	JOINT POUR RESERVOIR GRIS	OM
0	9099163000	1	WHEEL CASTOR D.42	OM
0	9099163000	1	ROUE PIVOTANTE PLATEAU BROSSEUR D42	OM
0	9099332000	1	Draaibare schakelaar 4 standen	EM
0	9099332000	1	INTERRUPTION ROTATIF 4 POSITIONS	EM
0	9099706000	1	Zuigslang D.25	OM
0	9099706000	1	TUBE D'ASPIRATION D25MM	OM
0	9099707000	1	STRAP ELASTIC REAR	OM
0	9099707000	1	BARRE DE MAINTIEN DE LAMELLE ARRIERE	OM
0	9099708000	1	STRAP ELASTIC FRONT	OM
0	9099708000	1	BARRE DE MAINTIEN DE LAMELLE AVANT	OM
0	9099712000	1	Borsteldeck 350MM/14	EM
0	9099712000	1	COUVERCLE DE BROSSE 350MM/14	EM
0	9099732000	2	Wiel D.214	EM
0	9099732000	2	ROUE ARRIERE D214MM	EM
0	9099793000	1	Inbouwlader 12V 12 Ah	EM

RECOMMENDED SPARE PARTS

SC351

01-10-2014

Part List ID
SC3510100

26

Pos	Part no.	Qty	Description	
0	9099793000	1	CHARGEUR 12V 12A EU	EM
0	9099795000	1	CHARGER BATT. O/B 12V 12A 100-230V JP	EM - FOR JAPANESE MARKET ONLY
0	9099802000	1	Zekering 35A	EM
0	9099802000	1	KIT DISJONCTEUR 35A	EM
0	9099999000	1	Borstel Ø 370 mm 14 prolene PPL	NW
0	9099999000	1	BROSSE D370MM 14 PROLENE PPL	NW
0	9100000077	1	Zuigstripset 14 inch PU	NW
0	9100000077	1	KIT LAMELLES PUR 370MM 14"	NW
0	9100000085	1	Zuigmond 438MM/17	OM
0	9100000085	1	EMBOUCHURE COMPLETE 438MM/17	OM
0	9100000087	1	CLUTCH KIT	OM
0	9100000087	1	KIT EMBRAYAGE	OM
0	9100000559	2	WHEEL D.51 GREY PKD	OM
0	9100000559	2	ROULETTE GRISE D EMBOUCHURE D51	OM
0	9100000674	1	MOTOR VACUUM 12V 200W PKD	OM
0	9100000679	1	REDUCTION GEARMOTOR 260W 12V PKD	OM
0	L08603153	1	Schakelaar CA 340	EM
0	L08603153	1	INTERRUPTEUR DE POMPE	EM
0	L08812480	1	Flens borstel BA 450/530	OM
0	L08812480	1	ENCLENCHEUR NU	OM