

BR 1100S - 1300S

Model:
BR 1100 S
BR 1100 S C
BR 1100 S C WITHOUT
SIDEBRUSH
BR 1300 S
BR 1300 S C



Part List US-English

30-05-2011

Table of Contents

BR 1100S - 1300S

Chassis system	3
Decal system	5
Drive wheel system	7
Drive wheel system - steering assembly	9
Electrical system 1	11
Electrical system 2	14
Rear wheel system	16
Recovery system	19
Scrub system-cylindrical	22
Scrub system-cylindrical - scrub assembly, before	24
Scrub system-cylindrical - scrub assembly, before	28
Scrub system-cylindrical - scrub assembly, after S	30
Scrub system-cylindrical - scrub assembly, after S	34
Scrub system-cylindrical - skirt/bumber assemblies	36
Scrub system-disk	38
Scrub system-disk - BR1100S scrub assembly	40
Scrub system-disk - BR1300S scrub assembly	43
Scrub system-disk - skirt assemblies	46
Solution system	48
Solution system - chemical metering kit	51
Solution system - drive pedal - electrical panel a	53
Squeegee system 1	55
Squeegee system 2	57
Squeegee system - squeegee arm assembly	59
Squeegee system - squeegee assembly F BR1100S	61
Squeegee system - squeegee assembly H BR1300S	63
Sweep system	65
Sweep system - side broom assemblies	67
Wiring diagram	69
Optional kits and accessories 1	72
Optional kits and accessories 2	75
Brush selector guide-disk	77
Brush selector guide-cylindrical	79
56314313 - Headlight Kit	81
56413681 - Backup Alarm Kit	83
56413089 / 56413870 - Bumper Kits	85
56413685 - Solution Auto-Fill Kit	87
56413649 - Warning Beacon Kit	89
56413764 - Grammer Seat with Switch Kit	91

Table of Contents

BR 1100S - 1300S

56413773 - Foot Guard Kit	93
56413774 - Overhead Guard Kit	95
56413809 - Deck Kit	97
56413821 - Vacuum Motor Kit	99
56413687 - Spray Wand Kit	101
56413614 - Chemical Metering Kit	103
56413733 - Battery Kit, 480 A/H Roll Out	105
56413734 - Battery Kit, 480 A/H	107
56413735 - Battery Kit, 395 A/H	109
56413740 - Battery Kit, Tray	111
56413799,56380425, 56380485 - Battery Kit, 36V Rol	113
56413666 - Battery Kit, 36V	115
56413884 - Roll Out Kit, No Battery	117
56109306 - Seat Belt Kit	119
56413058 / 56413059 - Kit, Brake	121
56414000 - Broom Idler Kit	123
56381108 - Chemical Metering Kit-EU-EcoFlex	125
56380317 - Cylindrical Scrub Deck Service Kit	127

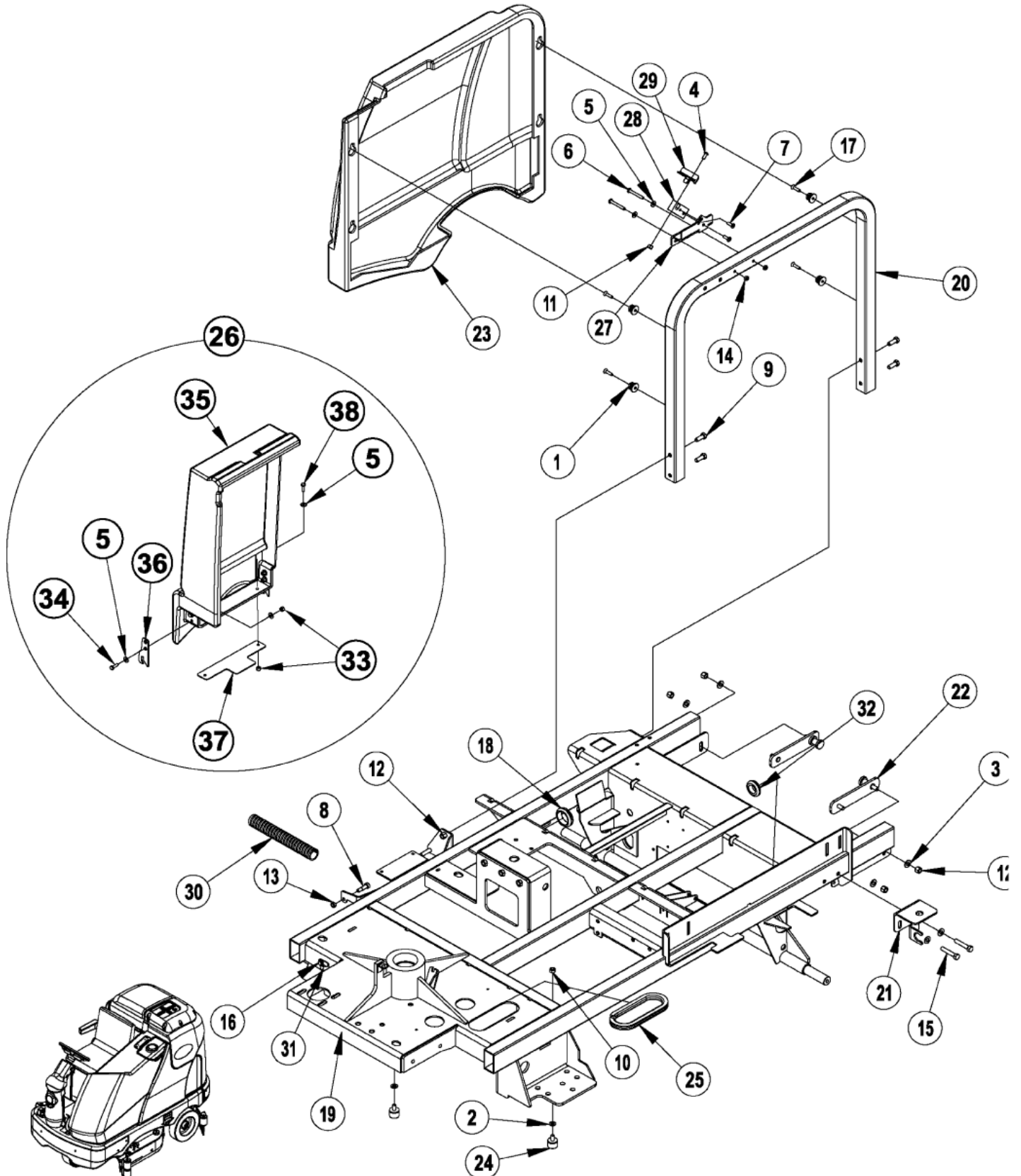
Chassis system

BR 1100S - 1300S

30-05-2011

Part List ID
BR1100S1300S3

3



Chassis system

BR 1100S - 1300S

30-05-2011

Part List ID
BR1100S1300S3

4

Pos	Part no.	Qty	Description	EAN
1	56365777	4	BRUSH DRIVER LUG CV17B	5711144066
2	56001939	2	WSH FLT SAE 5/16	5711144000
3	56002063	6	WSH FLT SAE 3/8	5711144000
4	56002066	1	SCR PAN PHIL 1/4 20 X .62	5711144000
5	56002098	2	WSH FLT SAE 1/4	5711144000
6	56002108	2	SCR PAN PHIL 1/4 20 X 2.00	5711144000
7	56002507	2	SCR PAN PHIL 1/4 20 X .75	5711144001
8	56002622	1	SCR SOC SHD .38X.75X5/16 18	5711144002
9	56002663	4	SCR HEX 3/8 16 X 1.00	5711144002
10	56002701	2	NUT HEX NYL LOC 5/16 18	5711144002
11	56002708	1	NUT HEX NYL LOC 1/4 20	5711144002
12	56002769	8	NUT HEX NYL LOC 3/8 16	5711144002
13	56002826	1	NUT HEX NYL LOC THIN 5/16 18	5711144002
14	56002840	2	NUT HEX NYL LOC THIN 1/4 20	5711144002
15	56003031	2	SCR HEX LOC 3/8 16 X 2.00	5711144003
16	56009033	1	SCR HEX THD FORM 1/4 20X.50	5711144007
17	56009101	4	SCR FLT PHILTHDFORM 1/4 20X1.0	5711144008
18	56054715	1	GROMMET E00059	5711144016
19	56413035	1	WELDMENT CHASSIS	5711144093
20	56413252	1	SUPPORT CHASSIS	5711144093
21	56413254	1	SUPPORT	5711144093
22	56413373	2	PIN PLATE WELDT	5711144094
23	56413386	1	PANEL SIDE REAR	5711144094
24	56413714	2	BUMPER RUBBER	5711144095
25	56413724	1	EDGE TRIM	5711144095
26	56413795	1	SIDE PANEL ASSEMBLY	33-37 5711144096
26	56413795	1	SIDE PANEL ASSEMBLY	33-37 5711144096
27	56413798	1	PLATE LATCH MOUNT	5711144096
28	56413802	1	LATCH RH	5711144096
29	56413843	1	LEVER	5711144096
30	56413847	1	CONDUIT	5711144096
30	56413847	1	CONDUIT	5711144096
31	56486112	1	CLAMP P	5711144125
32	56486116	1	GROMMET E00059	5711144125
33	56003403	6	NUT HEX NYL LOC M6 X 1.00	5711144005
34	56003454	6	SCR HEX THD TO HD SS M6 1X20MM	5711144005
35	56413387	1	PANEL SIDE FRONT	5711144094
36	56413433	2	HINGE	5711144094
37	56413796	1	PLATE	5711144096

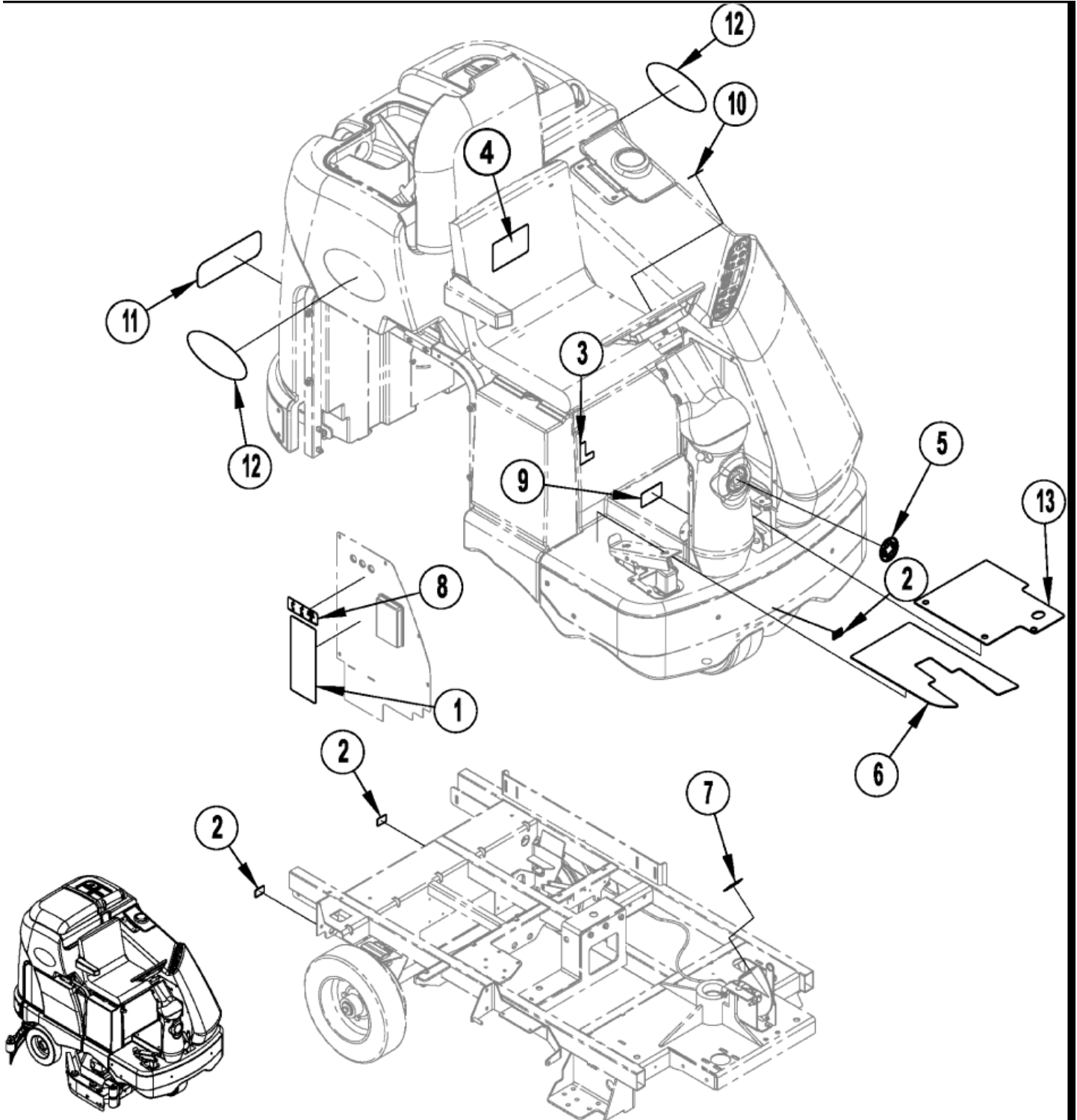
Decal system

BR 1100S - 1300S

30-05-2011

Part List ID
BR1100S1300S5

5



Decal system

BR 1100S - 1300S

30-05-2011

Part List ID
BR1100S1300S5

6

Pos	Part no.	Qty	Description	EAN
1	56014601	1	DECAL CAUTION	5711144009
2	56015370	3	DECAL TIE DOWN	5711144010
2	56015370	3	DECAL TIE DOWN	5711144010
3	56015179	1	DECAL EMERGENCY	5711144009
4	56015272	1	DECAL BATTERY WIRING DIAGRAM	5711144009
5	56016348	1	DECAL LOGO	5711144011
5	56016348	1	DECAL LOGO	5711144011
6	56413630	1	MAT LOWER FLOOR	5711144095
7	56413797	1	MAT PEDAL	5711144096
8	56015374	1	DECAL CIRCUIT BREAKER	5711144010
9	56016401	1	DECAL PARKING BRAKE	5711144011
10	56016421	1	DECAL LOGO	5711144011
10	56016421	1	DECAL LOGO	5711144011
11	56016731	1	DECAL NILFISK	5711144012
12	56016737	2	DECAL BR1100S	5711144012
12	56016737	2	DECAL BR1100S	5711144012
12	56016738	2	DECAL BR1100S EDS	5711144012
12	56016739	2	DECAL BR1300S	5711144012
12	56016739	2	DECAL BR1300S	5711144012
12	56016740	2	DECAL BR1300S EDS	5711144012
12	56381117	2	DECAL BR1100S ECOFLEX	5711144147
12	56381117	2	DECAL BR1100S ECOFLEX	5711144147
12	56381118	2	DECAL BR1300S ECOFLEX	5711144147
12	56381118	2	DECAL BR1300S ECOFLEX	5711144147
13	56413629	1	MAT UPPER FLOOR	5711144095

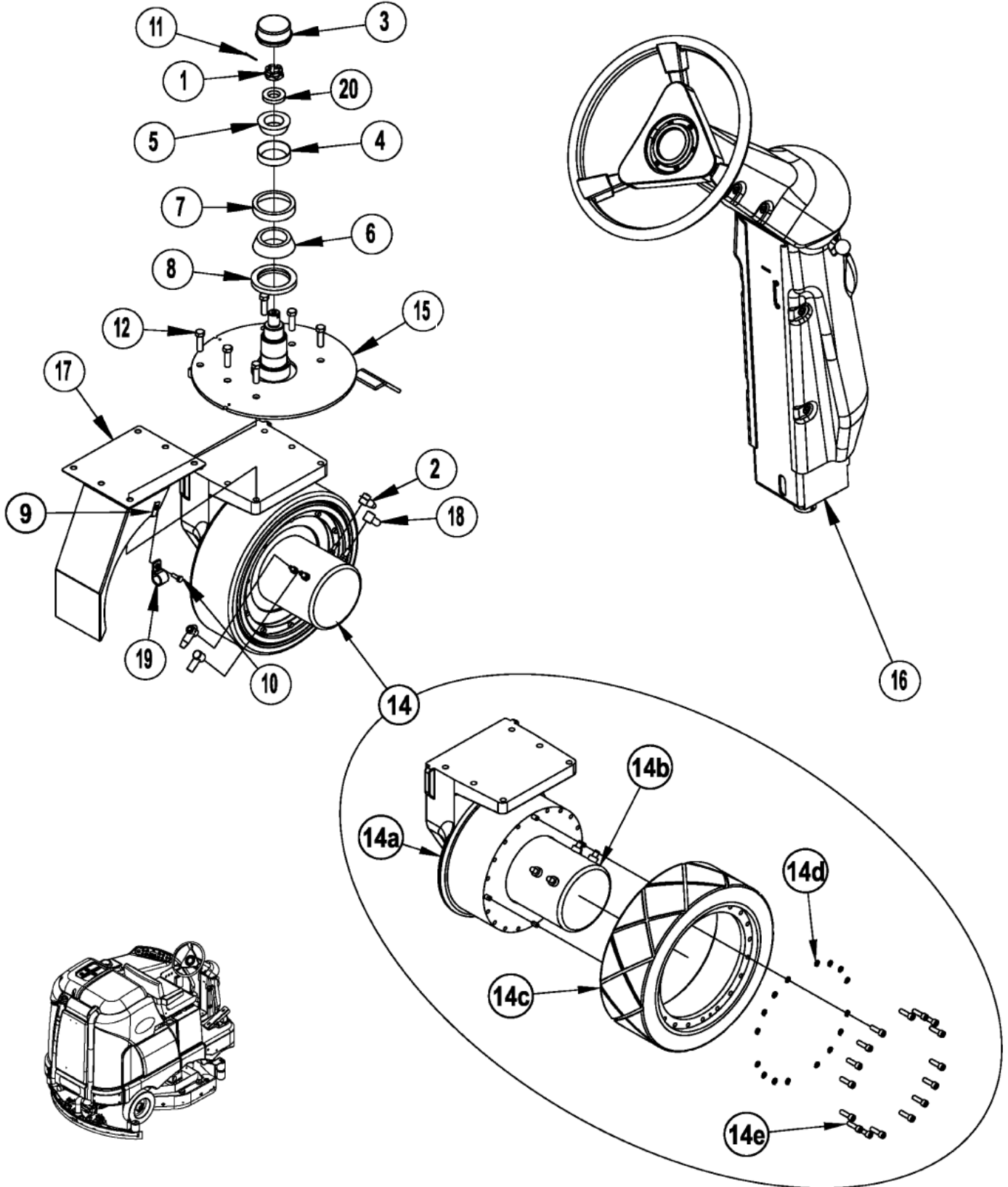
Drive wheel system

BR 1100S - 1300S

30-05-2011

Part List ID
BR1100S1300S7

7



Drive wheel system

BR 1100S - 1300S

30-05-2011

Part List ID
BR1100S1300S7

8

Pos	Part no.	Qty	Description	EAN
1	56110817	1	NUT CAS .875 14 THNE9A	5711144024
2	56409538	2	TERMINAL INSULATOR	5711144085
3	56483135	1	CAP GREASE	5711144125
4	56492697	1	BEARING CUP E00135	5711144126
5	56492699	1	BEARING CONE E00134	5711144126
6	56492700	1	BEARING CONE E00134	5711144126
7	56492702	1	BEARING CUP E00135	5711144126
8	56493191	1	SEAL SHAFT	5711144126
9	56009289	1	NUT U MULTI THREAD 1/4 20	5711144009
10	56002155	1	SCR HEX 1/4 20 X .75	5711144001
11	56002181	1	PIN COT .12 X 1.50	5711144001
12	56003743	6	SCR HEX 7 16 14X1.75	5711144007
14	56413012	1	WHEEL DRIVE	5711144093
14	56413012	1	WHEEL DRIVE	5711144093
15	56413160	1	FRONT SPINDLE WELDT	5711144093
16	56413174	1	STEERING ASM	5711144093
17	56413178	1	SPLASH GUARD	5711144093
18	56492305	2	BOOT	5711144126
19	56496276	1	CLAMP HOSE SUPPORT	5711144126
20	56497241	1	BUSHING	5711144126
4A	56380262	1	KIT GEAR DRIVEN	5711144152
4A	56380263	1	KIT GEAR PINION	5711144152
4A	56380264	1	KIT RETAINER SEAL	5711144152
4A	56380266	1	KIT GEAR INTERNAL	5711144152
14A	56102257	1	DRIVE MOTOR	TSBUS2007-971 5711144018
14B	56413615	1	MOTOR TRACTION	M1 5711144095
14B	56413616	1	BRUSH SET of 4 MOTOR	Not shown 5711144095
14C	56380443	1	WHEEL FRONT POLY	TSBUS2008-1007 5711144069
14D	56003781	16	WSH HIGH COLLAR LOCK 5/16	5711144007
14E	56003203	16	SCR SOC HD	5711144004

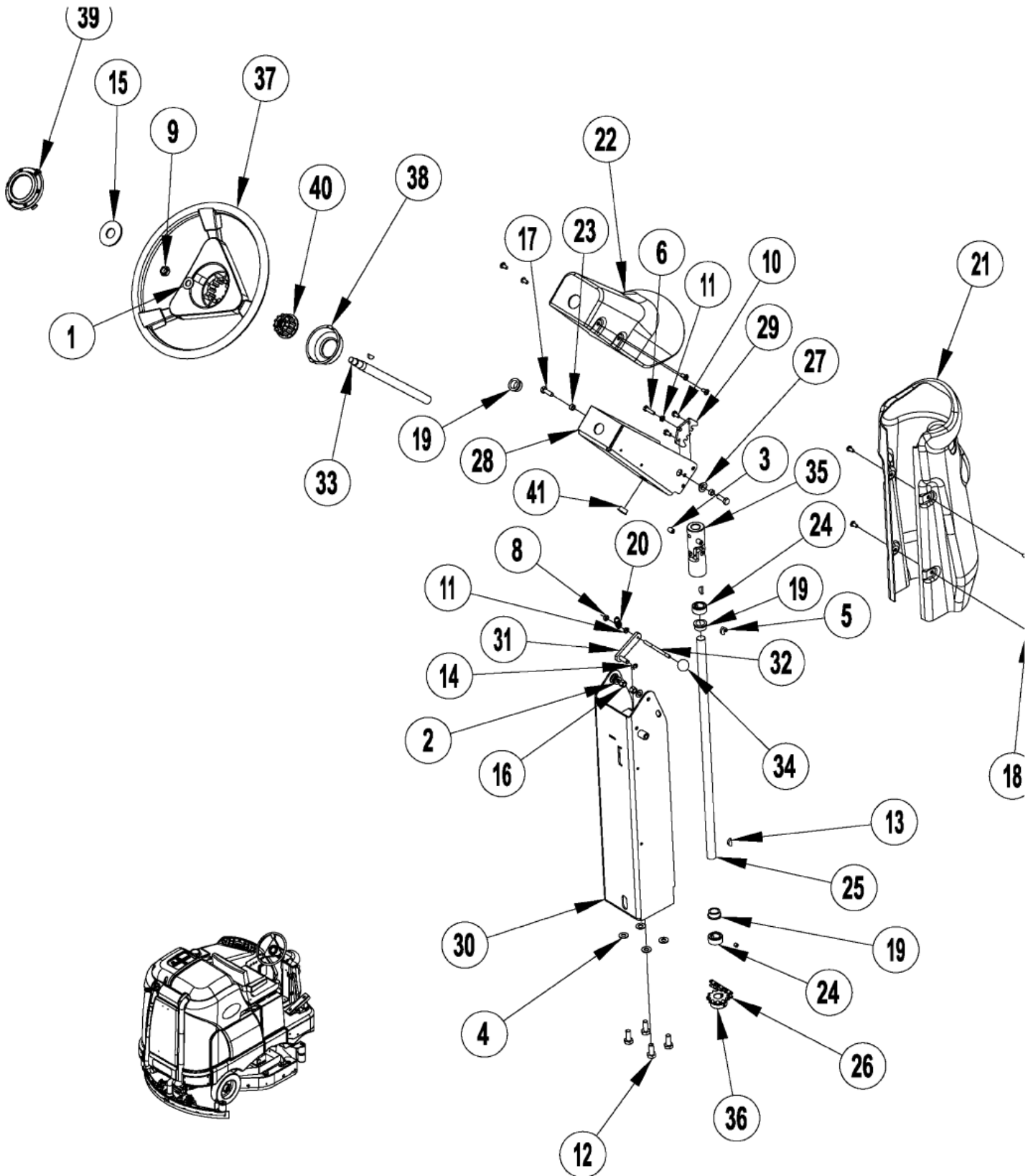
Drive wheel system - steering assembly

BR 1100S - 1300S

30-05-2011

Part List ID
BR1100S1300S9

9



Drive wheel system - steering assembly

BR 1100S - 1300S

30-05-2011

Part List ID
BR1100S1300S9

10

Pos	Part no.	Qty	Description	EAN
1	56001879	1	WSH FLT SAE 1/2	5711144000
2	56001939	2	WSH FLT SAE 5/16	5711144000
3	56001958	2	SCR SOC SET LOC 3/8 16 X .50	5711144000
4	56002063	4	WSH FLT SAE 3/8	5711144000
5	56002086	2	SCR SOC SET LOC 5/16 18 X .25	5711144000
6	56002093	1	SCR HEX 1/4 20 X 1.00	5711144000
8	56002840	1	NUT HEX NYL LOC THIN 1/4 20	5711144002
9	56002843	1	NUT HEX NYL LOC THIN 1/2 13	5711144002
10	56002933	2	SCR HEX LOC 1/4 20 X .38	BEFORE SERIAL NUMBER 1926681 5711144003
10	56003039	2	SCR HEX LOC 1/4 20 X .50	AFTER SERIAL NUMBER 1926680 5711144003
11	56003145	2	NUT HEX JAM SS 1/4 20	5711144004
12	56003186	4	SCR HEX THD/HD M10 1.50 X 25MM	5711144004
13	56003228	4	KEY WDF 606	5711144004
14	56003261	1	RING RET EXT TYPE E	5711144004
15	56003342	1	WSH FLT STD 7/8	5711144005
16	56003389	2	NUT HEX NYL LOC M8X1.25	5711144005
17	56003436	2	SCR HEX SS M8 1.25X25MM	5711144005
18	56009062	8	SCR PAN PHIL THD FORM1/4 20X.5	5711144007
19	56250414	3	BEARING FLANGE .752FA 1J E00201	5711144035
20	56305072	1	SPRING EXTENSION .075	5711144046
21	56314295	1	SHROUD LOWER COLUMN	5711144054
22	56314296	1	SHROUD UPPER COLUMN	5711144054
23	56320595	2	BUSHING .31X.50X.28HC18M	5711144062
24	56367095	2	COLLAR SHAFT .750 CV31A	5711144067
25	56413175	1	SHAFT LOWER STEERING	5711144093
26	56412198	1	CHAIN ROLLER 2 LINKS W/CHAIN	5711144092
27	56413211	2	BEARING FLANGE .625X.500X.250	5711144093
28	56413657	1	COLUMN UPPER	5711144095
29	56413658	1	RATCHET STEERING COLUMN	5711144095
30	56413659	1	LOWER COLUMN WELDMENT	5711144095
31	56413661	1	STEERING PAWL WELDMENT	5711144095
32	56413664	1	ROD	5711144095
33	56420059	1	UPPER STEERING SHAFT	5711144106
34	56440817	1	KNOB 1.00X1/4 20 CV429C	5711144107
35	56454081	1	U JOINT	5711144109
36	56471148	1	SPROCKET H40B11 RE188C	5711144123
37	56497306	1	STEERING WHEEL	5711144126
38	56497308	1	CUP	5711144126
39	56497543	1	CAP	5711144126
40	56497560	1	ADAPTER	5711144126
41	56900041	1	PLUG CAP E00046	5711144145

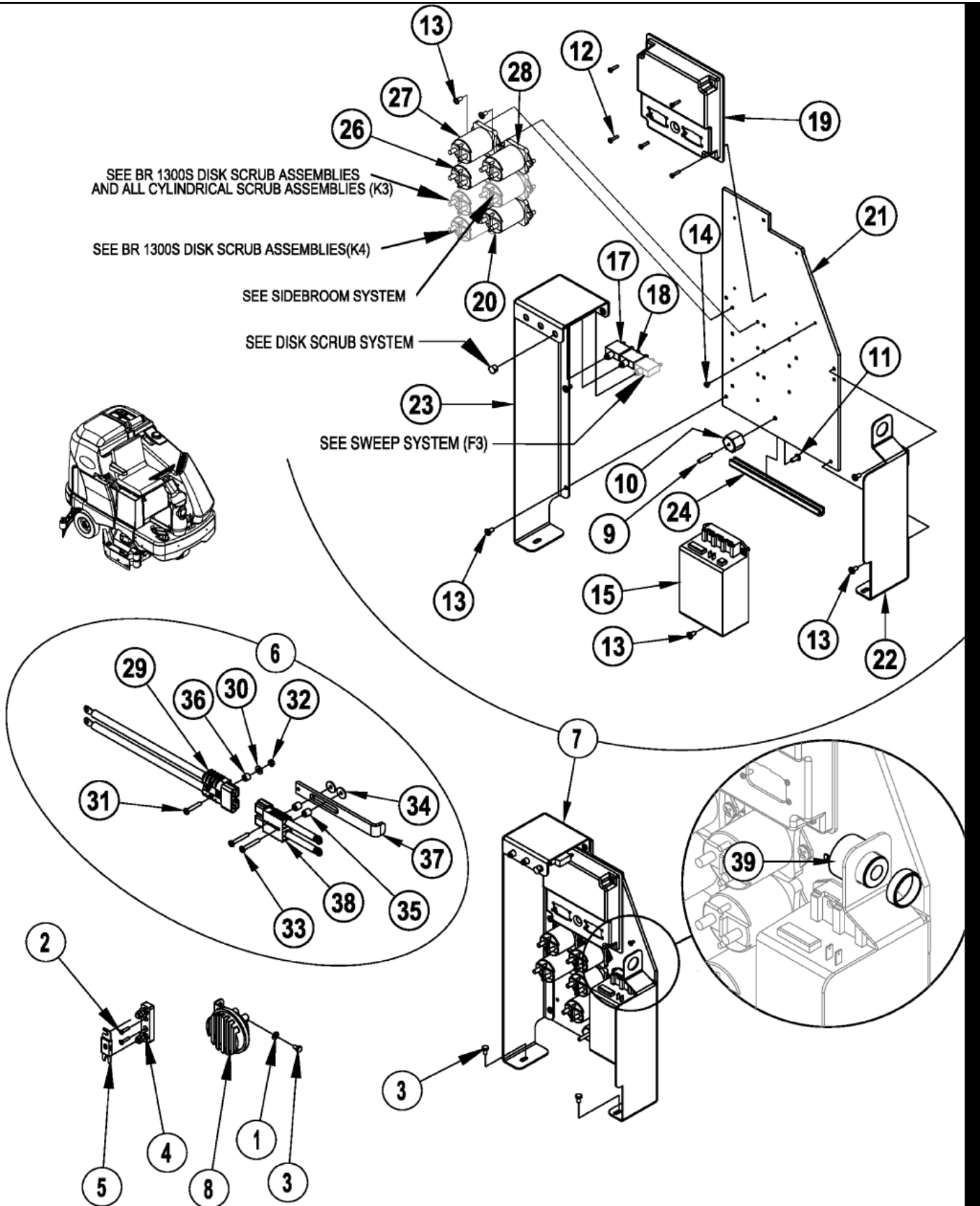
Electrical system 1

BR 1100S - 1300S

30-05-2011

Part List ID
BR1100S1300S10

11



Electrical system 1

BR 1100S - 1300S

30-05-2011

Part List ID
BR1100S1300S10

12

Pos	Part no.	Qty	Description		EAN
0	56409485	5	CABLE ASSY.1 X 15.00		5711144085
0	56413215	1	HARNESS MAIN	TSBUS2008-986	5711144093
0	56413216	1	HARNESS TRACTION MOTOR		5711144093
0	56413219	1	CABLE ASM BLK 4 1	BLK 4-1	5711144093
0	56413220	1	CABLE ASM RED 1 3	RED 1-3	5711144093
0	56413221	1	CABLE ASM RED 6 1	RED 6-1	5711144093
0	56413222	1	CABLE ASM RED 4 1	RED 4-1	5711144093
0	56413881	1	FERRITE BEAD	FOUND ON MAIN HARNESS	5711144096
0	56413883	5	FERRITE BEAD	FOUND ON MAIN HARNESS	5711144096
0	56477613	20	CABLE TIE E00549 RE409S		5711144123
0	56478246	5	CABLE TIE E00549 RE438BA		5711144124
1	56002098	1	WSH FLT SAE 1/4		5711144000
2	56002417	2	SCR FLT PHIL 10 24 X .88		5711144001
3	56009033	3	SCR HEX THD FORM 1/4 20X.50		5711144007
4	56303295	1	FUSE BLOCK		5711144042
5	56410044	1	FUSE 250 AMP	F4	5711144086
6	56413067	1	DISCONNECT BATTERY	29-38	5711144093
6	56413067	1	DISCONNECT BATTERY	29-38	5711144093
7	56381084	1	ELECTRICAL COMPONENT ASSY	(#9-28) NOTE 2	5711144170
7	56381084	1	ELECTRICAL COMPONENT ASSY	(#9-28) NOTE 2	5711144170
7	56413631	1	ELECTRICAL COMPONENT ASSEMBLY	(#9-28) NOTE 1	5711144095
7	56413631	1	ELECTRICAL COMPONENT ASSEMBLY	(#9-28) NOTE 1	5711144095
8	56482365	1	HORN 36V	H4	5711144125
9	56009203	1	STUD 1/4 20X1.31		5711144008
10	56469858	1	INSULATED STANDOFF		5711144122
11	56002066	1	SCR PAN PHIL 1/4 20 X .62		5711144000
12	56003698	5	SCR PAN PHIL THD FORM 8 32X.75		5711144006
13	56009033	18	SCR HEX THD FORM 1/4 20X.50		5711144007
14	56009030	1	SCR PAN PHIL THD FOM 10 24X.38		5711144007
15	56413041	1	CONTROLLER 36VDC	A1	5711144093
17	56413406	1	CIRCUIT BREAKER 3.0 AMP	CONTROL / F1	5711144094
18	56413407	1	CIRCUIT BREAKER 15 AMP	AUXILIARY / F2	5711144094
19	56381049	1	MAIN PCB BOX ASSY	A2 NOTE 2	5711144070
19	56413483	1	MAIN PCB BOX ASSEMBLY	A2 NOTE 1	5711144094
20	56413516	1	CONTACTOR 36VDC 200A	MAIN / K7 - TSBUS2008-1020	5711144094
21	56413622	1	MOUNT ELECTRICAL		5711144095
22	56413623	1	MOUNT ELECTRICAL PANEL		5711144095
23	56413627	1	MOUNT ELECTRICAL		5711144095
24	56413841	1	EDGE TRIM .25		5711144096
26	56413516	1	CONTACTOR 36VDC 200A	RIGHT BRUSH / K2 - TSBUS2008-1020	5711144094
27	56413516	1	CONTACTOR 36VDC 200A	VACUUM / K1 - TSBUS2008-996	5711144094

NOTE 1: Used on machines built before SN1000038925

NOTE 2: Used on machines built after SN1000038924

Electrical system 1

BR 1100S - 1300S

30-05-2011

Part List ID
BR1100S1300S10

13

Pos	Part no.	Qty	Description	EAN
28	56413516	1	CONTACTOR 36VDC 200A AUXILIARY / K5 - TSBUS2008-996	5711144094
29	56409444	1	CONNECTOR ASSY.	5711144084
30	56002098	1	WSH FLT SAE 1/4	5711144000
31	56002786	1	SCR PAN PHIL 1/4 20 X 1.50	5711144002
32	56002840	1	NUT HEX NYL LOC THIN 1/4 20	5711144002
34	56009002	2	WASHER FLAT .266X.906X.060	5711144007
35	56046309	2	SPACER PHENOLIC	5711144015
36	56050872	1	SPACER PHEN.	5711144016
37	56413132	1	BAR DISCONNECT	5711144093
38	56413217	1	CONNECTOR ASSEMBLY	5711144093
39	56412177	1	HORN BACKUP ALARM	5711144091

NOTE 1: Used on machines built before SN1000038925

NOTE 2: Used on machines built after SN1000038924

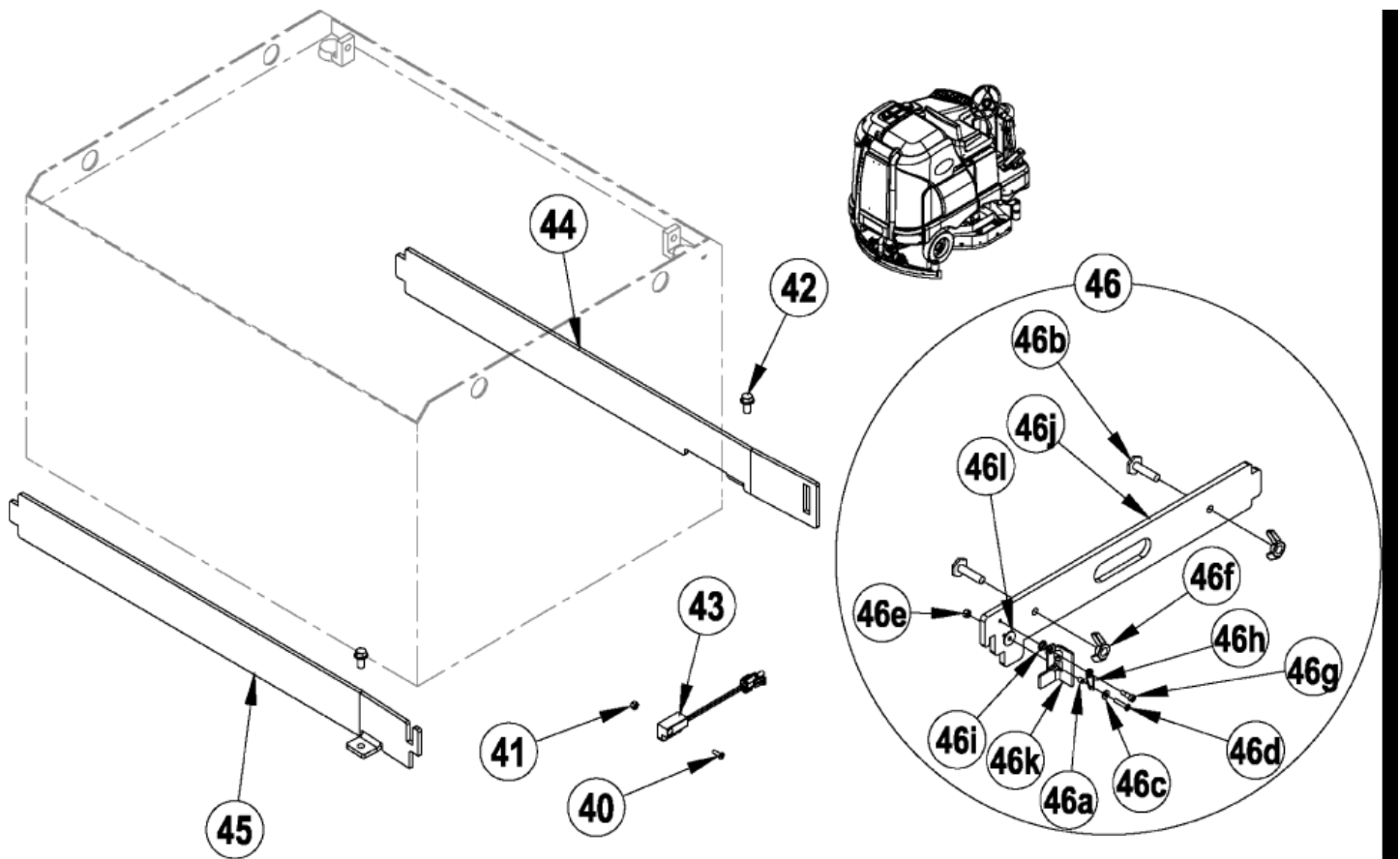
Electrical system 2

BR 1100S - 1300S

30-05-2011

Part List ID
BR1100S1300S11

14



Electrical system 2

BR 1100S - 1300S

30-05-2011

Part List ID
BR1100S1300S11

15

Pos	Part no.	Qty	Description	EAN
40	56002124	1	SCREW10 24 X .62 PNH PH	5711144000
41	56002768	1	NUT HEX NYL LOC 10 24	5711144002
42	56003710	2	SCR HEX TYPE 1 3/8 16 X .75	5711144006
43	56305053	1	SENSOR PROXIMITY	5711144045
44	56413255	1	GUIDE BATTERY FORWARD	5711144093
45	56413256	1	GUIDE BATTERY REAR	5711144093
46	56413720	1	PLATE ASSY BATTERY STOP WIDE	5711144095
46	56413720	1	PLATE ASSY BATTERY STOP WIDE	5711144095
46A	56369004	1	BUSHING CV82J	5711144067
46B	56413713	2	LEVELER 3/8 16	5711144095
46C	56001954	1	WSH FLT SAE 10	5711144000
46D	56002674	1	SCR PAN PHIL 10 24 X 1.00	5711144002
46E	56002768	1	NUT HEX NYL LOC 10 24	5711144002
46F	56009252	2	NUT WING SS 3/8 16	5711144008
46G	56003537	1	SCR SOC SHD .250X.38X10 24	5711144006
46H	56245060	1	SPRING TOR .38X2 FC486B	5711144034
46I	56303284	1	BEARING FL .375X.250X.188	5711144042
46J	56413320	1	PLATE BATTERY STOP	5711144094
46K	56413848	1	LATCH BATTERY STOP	5711144096
46L	56413875	1	WASHER TEFLON .21X.88X.045	5711144096

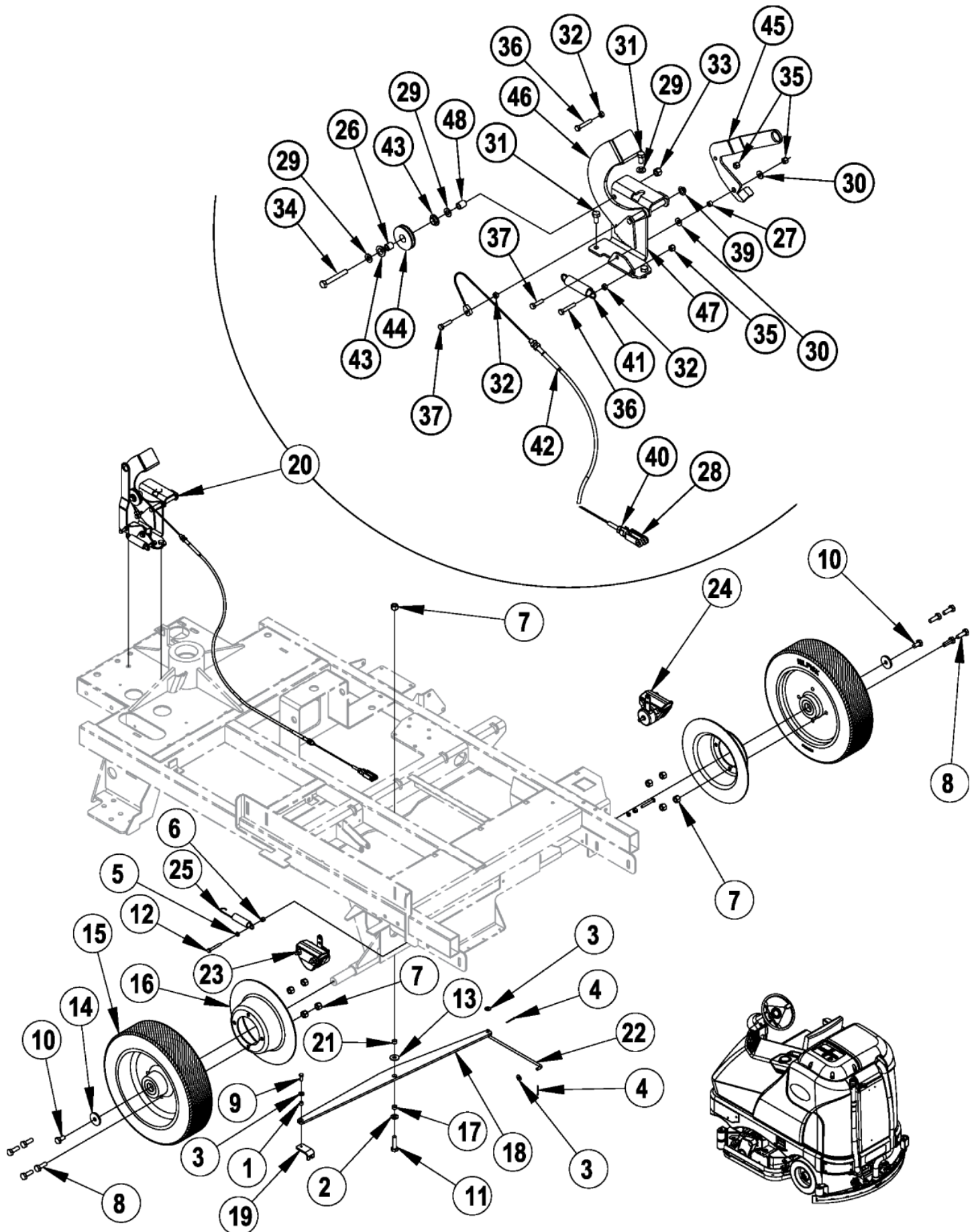
Rear wheel system

BR 1100S - 1300S

30-05-2011

Part List ID
BR1100S1300S13

16



Rear wheel system

BR 1100S - 1300S

30-05-2011

Part List ID
BR1100S1300S13

18

Pos	Part no.	Qty	Description	EAN
40	56009142	1	NUT HEX MACHINE 1/4 28	5711144008
41	56397348	1	SPRING EXTENSION	5711144080
42	56413208	1	CABLE ASSEMBLY	5711144093
43	56413211	2	BEARING FLANGE .625X.500X.250	5711144093
44	56413508	1	PULLEY	5711144094
45	56413527	1	PAWL	5711144094
46	56413534	1	BRAKE PEDAL WELDT	5711144094
47	56413538	1	BRACKET BRAKE PEDAL	5711144094
48	56413787	1	SPACER	5711144095

NOTE 1: Machines built after serial number 1959307 have a modified chassis which eliminates the need for these hardware items.

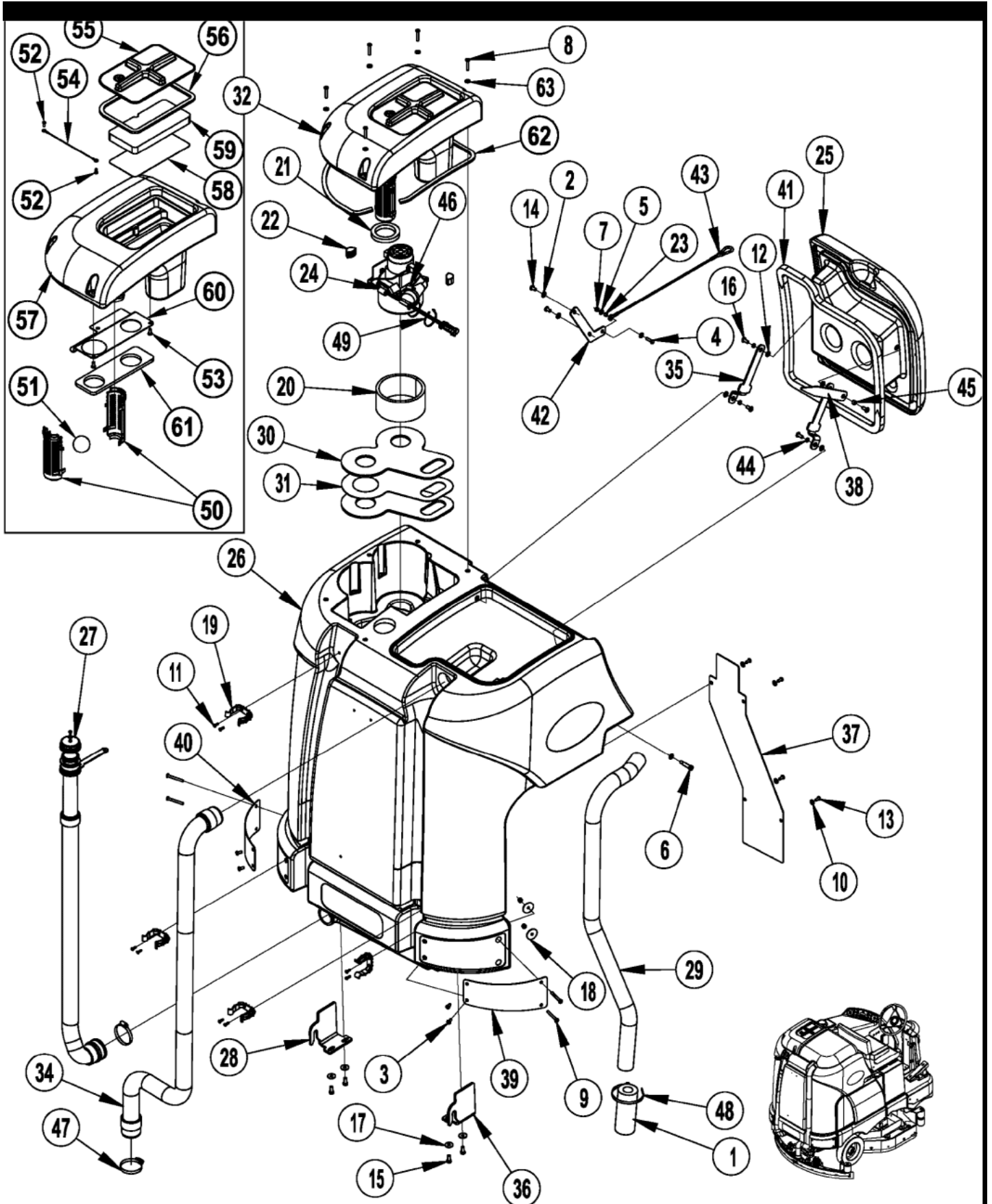
Recovery system

BR 1100S - 1300S

30-05-2011

Part List ID
BR1100S1300S15

19



Recovery system

BR 1100S - 1300S

30-05-2011

Part List ID
BR1100S1300S15

20

Pos	Part no.	Qty	Description	EA	EAN
1	56391807	1	FOAM ACCOUSTICAL		5711144073
2	56001939	3	WSH FLT SAE 5/16		5711144000
3	56002066	4	SCR PAN PHIL 1/4 20 X .62		5711144000
4	56002507	1	SCR PAN PHIL 1/4 20 X .75		5711144001
5	56002098	2	WSH FLT SAE 1/4		5711144000
6	56002624	1	SCR SOC SHD.38X1.25X5/16 18		5711144002
7	56002708	5	NUT HEX NYL LOC 1/4 20		5711144002
8	56002786	5	SCR PAN PHIL 1/4 20 X 1.50		5711144002
9	56002788	4	SCR PAN PHIL 1/4 20 X 2.25		5711144002
10	56002859	4	WSH FLT SAE SS 1/4		5711144002
11	56002896	8	SCR PAN PHIL SS 10 24 X .62		5711144003
12	56002938	4	WSH FLT SAE SS 5/16		5711144003
13	56002989	4	SCR PAN PHIL SS 1/4 20 X .62		5711144003
14	56003003	2	SCR PAN PHIL 5/16 18X.62		5711144003
15	56003012	4	SCR HEX SS 5/16 18 X .75		5711144003
16	56003014	4	SCR PAN PHIL SS 5/16 18 X .75		5711144003
17	56003696	4	WSH FLAT SS .33 X 1.00 X .060		5711144006
18	56009225	4	WASHER FENDER		5711144008
19	56212236	4	CLAMP PLASTIC		5711144033
20	56314488	1	MUFFLER VAC		5711144055
21	56314760	1	GASKET VACUUM DUCT		5711144056
22	56315141	2	MOUNT VIBRATION		5711144058
23	56368989	1	BUSHING .25X.37X.30CV82G		5711144067
24	56410065	1	VAC MOTOR ASSY	M5	5711144086
25	56413091	1	LID RECOVERY TANK		5711144093
26	56413150	1	TANK RECOVERY		5711144093
27	56601408	1	DRAIN HOSE		5711144142
27	56601411	1	DRAIN HOSE CAP KIT	Not shown	5711144142
27	56601411	1	DRAIN HOSE CAP KIT	Not shown	5711144142
28	56413163	1	MOUNT RECOVERY TANK		5711144093
29	56413171	1	HOSE VAC 2.00X42.00X975018		5711144093
30	56413187	2	GASKET VAC FAN		5711144093
31	56413191	1	PLATE VAC FAN		5711144093
32	56413196	1	TOP COVER ASSEMBLY	50-61	5711144093
32	56413196	1	TOP COVER ASSEMBLY	50-61	5711144093
33	56413218	1	HARNESS RECOVERY TANK		5711144093
34	56413377	1	HOSE SQUEEGEE VAC.		5711144094
35	56413404	2	ARM LID HINGE		5711144094
36	56413555	1	HINGE PLATE RIGHT		5711144094
37	56413577	1	PANEL EXHAUST		5711144094
38	56413589	1	PROP		5711144094

NOTE 1: 56314461 and 56314491 are no longer used in production. If you need to replace either of these items please order 56109539.

Recovery system

BR 1100S - 1300S

30-05-2011

Part List ID
BR1100S1300S15

21

Pos	Part no.	Qty	Description	EAN
39	56413606	1	BUMPER RIGHT REAR	5711144094
40	56413607	1	BUMPER LEFT REAR	5711144094
41	56413699	1	GASKET ASM RECOVERY TANK LID	5711144095
41	56413699	1	GASKET ASM RECOVERY TANK LID	5711144095
42	56413458	1	PLATE CABLE MOUNT	5711144094
43	56413723	1	CABLE ASSEMBLY	5711144095
44	56413800	3	BUSHING .32X.50X.18	5711144096
45	56413801	1	BUSHING .32X.50X.35	5711144096
46	56440213	1	CLAMP HOSE SAE 32E00047	5711144107
47	56456797	2	CLAMP HOSE	5711144113
48	56477613	1	CABLE TIE E00549 RE409S	5711144123
49	56478246	1	CABLE TIE E00549 RE438BA	5711144124
50	56324497	2	FLOAT CAGE	5711144064
51	56391690	1	BALL FLOAT	5711144073
52	56009191	2	SCR PAN PHIL PLASTITE10 14X.50	5711144008
53	56009210	2	SCR PAN PHIL TYPE B 1/4X14X.62	5711144008
54	56314400	1	WIRE ROPE 9 INCH	5711144055
55	56109539	1	LID VAC FILTER ASSY	Note 1 5711144021
57	56413155	1	TOP RECOVERY TANK	5711144093
58	56413194	1	SCREEN FILTER	5711144093
59	56413195	1	FILTER	5711144093
60	56413408	1	PLATE VAC COVER	5711144094
61	56413416	1	GASKET VAC FAN TOP	5711144094
62	56413846	1	GASKET STRIP	5711144096
63	56009002	5	WASHER FLAT .266X.906X.060	5711144007

NOTE 1: 56314461 and 56314491 are no longer used in production. If you need to replace either of these items please order 56109539.

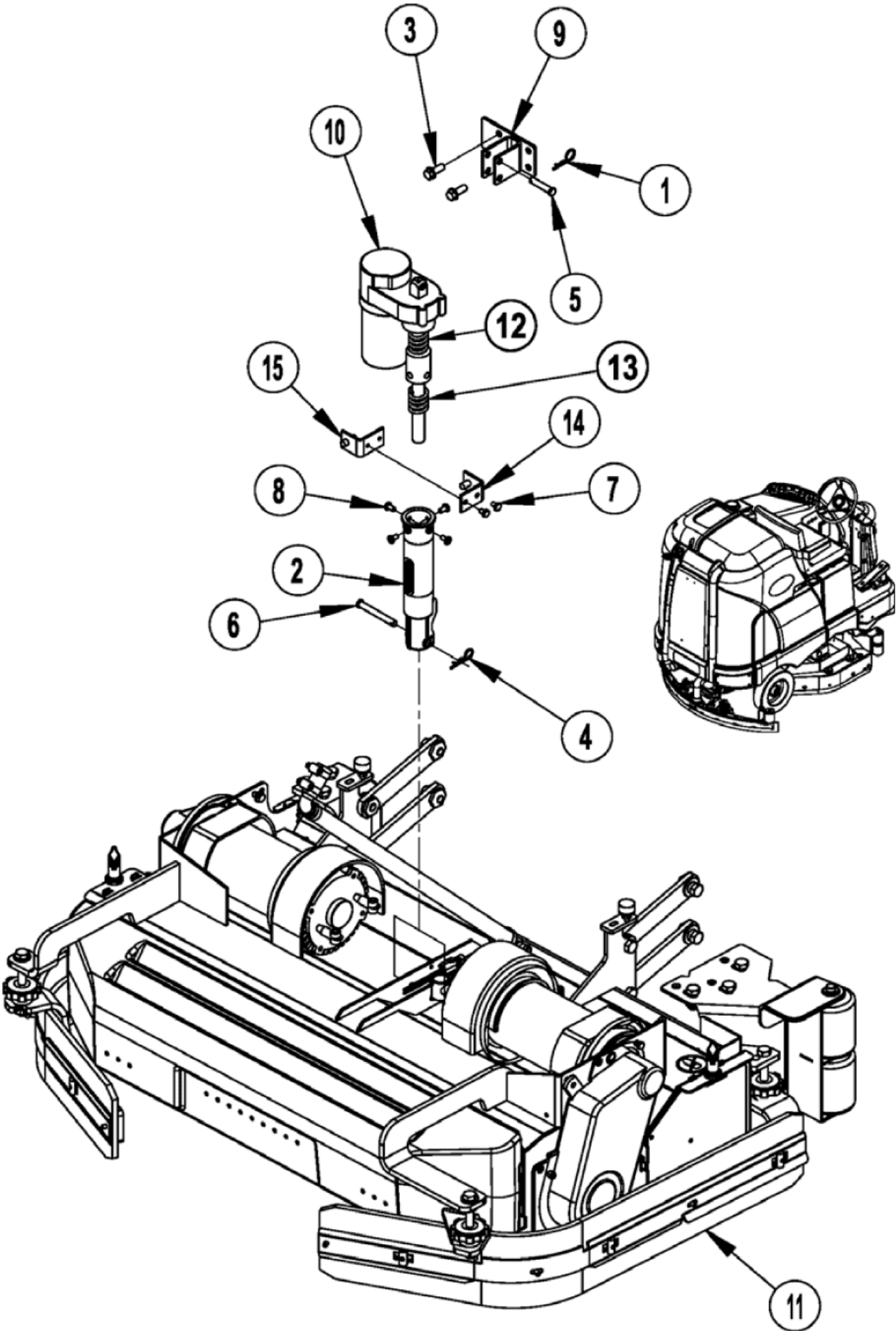
Scrub system-cylindrical

BR 1100S - 1300S

30-05-2011

Part List ID
BR1100S1300S17

22



Scrub system-cylindrical

BR 1100S - 1300S

30-05-2011

Part List ID
BR1100S1300S17

23

Pos	Part no.	Qty	Description	EAN
1	56002959	1	PIN COT HAIR SS.090XDIA.50/.75	5711144003
2	56412262	1	HOUSING SPRING	5711144092
3	56002256	2	SCR HEX TYPE1 3/8 16X 1.00	5711144001
4	56003120	1	PIN COT HAIR.093XDIA .25 .50	5711144004
5	56003597	1	PIN CLEVIS .375 X 1.75	5711144006
6	56003704	1	CLEVIS PIN	5711144006
7	56009019	2	SCR HEX THD FORM 1/4 20X .38	5711144007
8	56009062	4	SCR PAN PHIL THD FORM1/4 20X.5	5711144007
9	56413455	1	MOUNT WELDMENT	5711144094
10	56413700	1	ACTUATOR	M2 5711144095
11	56413788	1	40 CYL SCRUB ASSEMBLY	BR 1100SC 5711144095
11	56413788	1	40 CYL SCRUB ASSEMBLY	BR 1100SC 5711144095
11	56413792	1	48 CYL SCRUB ASSEMBLY	BR 1300SC 5711144095
11	56413792	1	48 CYL SCRUB ASSEMBLY	BR 1300SC 5711144095
12	56413828	1	SPRING UPPER HOUSING	5711144096
13	56413829	1	SPRING LOWER HOUSING	5711144096
14	56420019	1	NUT RETAINER WLMT.	5711144105
15	56420020	1	NUT RETAINER WLMT.	5711144105

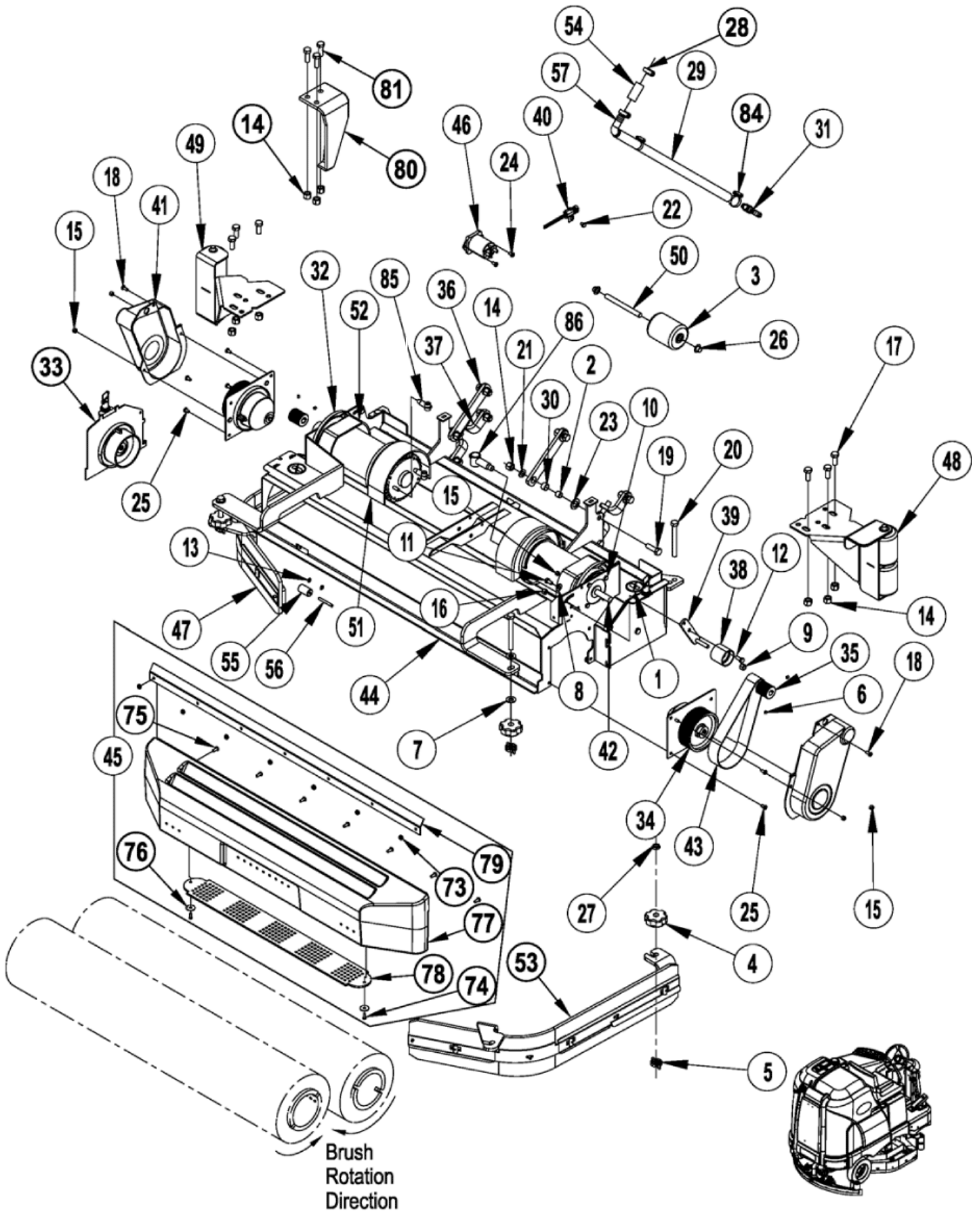
Scrub system-cylindrical - scrub assembly, before

BR 1100S - 1300S

30-05-2011

Part List ID
BR1100S1300S18

24



Scrub system-cylindrical - scrub assembly, before

BR 1100S - 1300S

30-05-2011

Part List ID
BR1100S1300S18

25

Pos	Part no.	Qty	Description		EAN
0	56413788	1	40 CYL SCRUB ASSEMBLY	BR 1100SC	5711144095
0	56413788	1	40 CYL SCRUB ASSEMBLY	BR 1100SC	5711144095
0	56413792	1	48 CYL SCRUB ASSEMBLY	BR 1300SC	5711144095
0	56413792	1	48 CYL SCRUB ASSEMBLY	BR 1300SC	5711144095
1	56016163	2	DECAL NO STEP		5711144011
1	56016163	2	DECAL NO STEP		5711144011
2	56367206	8	BUSHING CV32G		5711144067
3	56407006	2	WHEEL ROLLER		5711144081
4	56380149	4	KNOB M12 1.75 THRU	TSBUS2010-1060	5711144154
4	56380149	4	KNOB M12 1.75 THRU	TSBUS2010-1060	5711144154
5	56407334	4	KNOB		5711144082
6	56001841	4	SCR SOC SET LOC 1/4 20 X .25		5711144000
7	56001879	4	WSH FLT SAE 1/2		5711144000
8	56002063	2	WSH FLT SAE 3/8		5711144000
9	56002769	2	NUT HEX NYL LOC 3/8 16		5711144002
10	56003179	8	SCR HEX THD/HD M8 1.25X20MM		5711144004
11	56003178	2	SCR HEX THD TO HD M8 1.25X16MM		5711144004
12	56003180	2	SCR HEX THD/HD M8 1.25X25MM		5711144004
13	56003268	4	RING RET EXT TYPE E REINF		5711144004
14	56003312	14	NUT HEX NYL LOC M12 1.75		5711144005
15	56003403	6	NUT HEX NYL LOC M6 X 1.00		5711144005
16	56003405	2	NUT HEX NYL LOC SS M8X1.25		5711144005
17	56003418	6	SCR HEX M12 1.75 X 30MM		5711144005
18	56003627	2	SCR PAN PHIL M6 1.00 X 16MM		5711144006
19	56003637	8	SCR HEX M12 1.75 X 40MM		5711144006
20	56003707	4	HEX THD TO HD SS 12 1.75X110MM		5711144006
21	56009017	8	WSH FLT HDN .516X.938X.075		5711144007
22	56009019	1	SCR HEX THD FORM 1/4 20X .38		5711144007
23	56009022	8	WSH FLT .752/.756X1.250X.125		5711144007
24	56009062	2	SCR PAN PHIL THD FORM1/4 20X.5		5711144007
25	56009069	8	SCR PAN PHIL LOC 1/4 20X.50		5711144008
26	56009097	4	NUT PUSH CAP 1/2		5711144008
27	56009258	4	NUT HEX JAM M12 1.75		5711144008
28	56112771	4	CLAMP HOSE SAE 10 E00047		5711144028
29	56303394	1	HOSE SPIRAL .750 X 25		5711144042
30	56304586	8	BEARING .750X.625X.500		5711144044
31	56305760	1	TEE BARB 3/4 X 1/2 X 1/2		5711144049
32		4	CLAMP HOSE SAE 96 ER00047	96 - No Longer Used	5711144066
33	56413269	2	BROOM IDLER ASSEMBLY	58-63, 83	5711144093
33	56413269	2	BROOM IDLER ASSEMBLY	58-63, 83	5711144093
34	56413275	2	BROOM DRIVE LUG ASSEMBLY	64-72, 82	5711144093

NOTE 1: If you need to replace these items before SN 1000022903 please order Broom Kit 56414000.

NOTE 2: Brush motor 56413398 is no longer used in production and replaced by 56380617. The Water Shields 56413604 & 56413605 used on 56413398 are also obsolete.

Scrub system-cylindrical - scrub assembly, before

BR 1100S - 1300S

30-05-2011

Part List ID
BR1100S1300S18

26

Pos	Part no.	Qty	Description		EAN
35	56413285	2	SHEAVE POLY V		5711144093
36	56413302	2	ARM PARALLEL 6 IN		5711144094
37	56413303	2	ARM ADJUSTABLE ASM		5711144094
37	56413303	2	ARM ADJUSTABLE ASM		5711144094
38	56413324	2	IDLER		5711144094
39	56413325	2	TENSIONER WELDT		5711144094
40	56413391	1	RESISTOR ASM 40K OHM	BR 1300SC	5711144094
40	56413393	1	RESISTOR ASM 10K OHM	BR 1100SC	5711144094
41	56413395	2	GUARD BELT		5711144094
42	56380617	2	MOTOR AMER TENV 36VDC 1.5HP	(M9 / M10) NOTE 2	5711144170
42	56381479	1	KIT BRUSH AMER MOTOR	(for 56380617)	5711144165
42		2	MOTOR 36VDC 1.5 HP	M9 / M10	5711144094
42	56413628	1	BRUSH AND SPRING KIT MOTOR	(for obsolete motor 56413398)	5711144095
43	56413419	2	BELT POLY V 260J16		5711144094
44	56413247	1	CYL SCRUB DECK WELDT 40	BR 1100SC	5711144093
44	56413344	1	CYL SCRUB DECK WELDT 48	BR 1300SC	5711144094
45	56413331	1	HOPPER ASSEMBLY 40 IN.	BR 1100SC - 73-79	5711144094
45	56413331	1	HOPPER ASSEMBLY 40 IN.	BR 1100SC - 73-79	5711144094
45	56413346	1	HOPPER ASSEMBLY 48 IN.	BR 1300 SC - 73-79	5711144094
45	56413346	1	HOPPER ASSEMBLY 48 IN.	BR 1300 SC - 73-79	5711144094
46	56413516	1	CONTACTOR 36VDC 200A	K3 - TSBUS2008-1020	5711144094
47	56413556	1	LEFT SKIRT ASSEMBLY	BR 1100SC	5711144094
47	56413556	1	LEFT SKIRT ASSEMBLY	BR 1100SC	5711144094
47	56413871	1	LEFT SKIRT ASSEMBLY 40	BR 1300SC	5711144096
47	56413871	1	LEFT SKIRT ASSEMBLY 40	BR 1300SC	5711144096
48	56413578	1	RIGHT GUARD ASSEMBLY		5711144094
48	56413578	1	RIGHT GUARD ASSEMBLY		5711144094
49	56413584	1	LEFT GUARD ASSEMBLY		5711144094
49	56413584	1	LEFT GUARD ASSEMBLY		5711144094
50	56413596	2	PIN		5711144094
51		2	SHIELD WATER		5711144094
52		2	SHIELD WATER		5711144094
53	56413609	1	RIGHT SKIRT ASSEMBLY		5711144095
53	56413609	1	RIGHT SKIRT ASSEMBLY		5711144095
54	56413813	1	HOSE .75 X 2.00		5711144096
55	56413817	2	ROLLER REAR		5711144096
56	56413818	2	PIN		5711144096
57	56900272	1	BARB 90 DEG. E00476		5711144145
58	56370711	1	NUT THUMB		5711144067
59	56009199	1	WSH FLT BRASS .266X1.250X.125		5711144008
60	56009069	1	SCR PAN PHIL LOC 1/4 20X.50		5711144008

NOTE 1: If you need to replace these items before SN 100022903 please order Broom Kit 56414000.

NOTE 2: Brush motor 56413398 is no longer used in production and replaced by 56380617. The Water Shields 56413604 & 56413605 used on 56413398 are also obsolete.

Scrub system-cylindrical - scrub assembly, before

BR 1100S - 1300S

30-05-2011

Part List ID
BR1100S1300S18

27

Pos	Part no.	Qty	Description		EAN
61	56111531	1	BEARING BALL	NOTE 1	5711144026
62	56109572	1	BROOM HANGER	USED AFTER APRIL 2010	5711144021
62	56413267	1	BROOM HANGER WELDT	USED BEFORE MAY 2010	5711144093
63	56109690	1	IDLER BRUSH	NOTE 1 - TSBUS2009-1048	5711144022
64	56003155	1	SCR HEX M6 1.0 X 12MM		5711144004
65	56003238	2	KEY SQ .19 X .78		5711144004
66	56009060	1	WSH FLT SS .260X1.000X.074		5711144007
67	56002930	2	SCR SOC SET LOC 1/4 20 X .38		5711144003
68	56303050	2	BEARING BALL		5711144041
69	56109573	1	BROOM HANGER	USED AFTER APRIL 2010	5711144021
69	56109573	1	BROOM HANGER	USED AFTER APRIL 2010	5711144021
69	56413276	1	BROOM HANGER WELDT	USED BEFORE MAY 2010	5711144093
69	56413276	1	BROOM HANGER WELDT	USED BEFORE MAY 2010	5711144093
70	56413284	1	SHEAVE POLY V		5711144093
71	56413620	1	SHAFT BROOM DRIVE LUG		5711144095
72	56109628	1	DRIVE LUG ASSY		5711144021
72	56109628	1	DRIVE LUG ASSY		5711144021
73	56002491	7	NUT HEX NYL LOC SS 1/4 20		5711144001
74	56002896	2	SCR PAN PHIL SS 10 24 X .62		5711144003
75	56002989	7	SCR PAN PHIL SS 1/4 20 X .62		5711144003
76	56009060	2	WSH FLT SS .260X1.000X.074		5711144007
77	56413333	1	HOPPER 40 IN.	BR 1100SC	5711144094
77	56413348	1	HOPPER 48 IN.	BR 1300SC	5711144094
78	56413338	1	SCREEN HOPPER 40 IN.	BR 1100SC	5711144094
78	56413349	1	SCREEN HOPPER 48 IN.	BR 1300SC	5711144094
79	56413339	1	THRESHOLD HOPPER 40 IN.	BR 1100SC	5711144094
79	56413350	1	THRESHOLD HOPPER 48 IN.	BR 1300SC	5711144094
80	56413831	1	ROLL BAR WELDT	BR 1100SC - only	5711144096
81	56003415	3	SCR HEX THD TO HDM12 1.75X35MM	BR 1100SC - only	5711144005
82	56413877	1	SPACER		5711144096
83	56003314	1	RING RET INT TYPE HO 2.047 DIA	NOTE 1	5711144005
84	56244969	1	CLAMP HOSE SAE 12 E00047		5711144034
85	56409538	3	TERMINAL INSULATOR		5711144085
86	56493357	1	INSULATOR TERMINAL		5711144126

NOTE 1: If you need to replace these items before SN 100022903 please order Broom Kit 56414000.

NOTE 2: Brush motor 56413398 is no longer used in production and replaced by 56380617. The Water Shields 56413604 & 56413605 used on 56413398 are also obsolete.

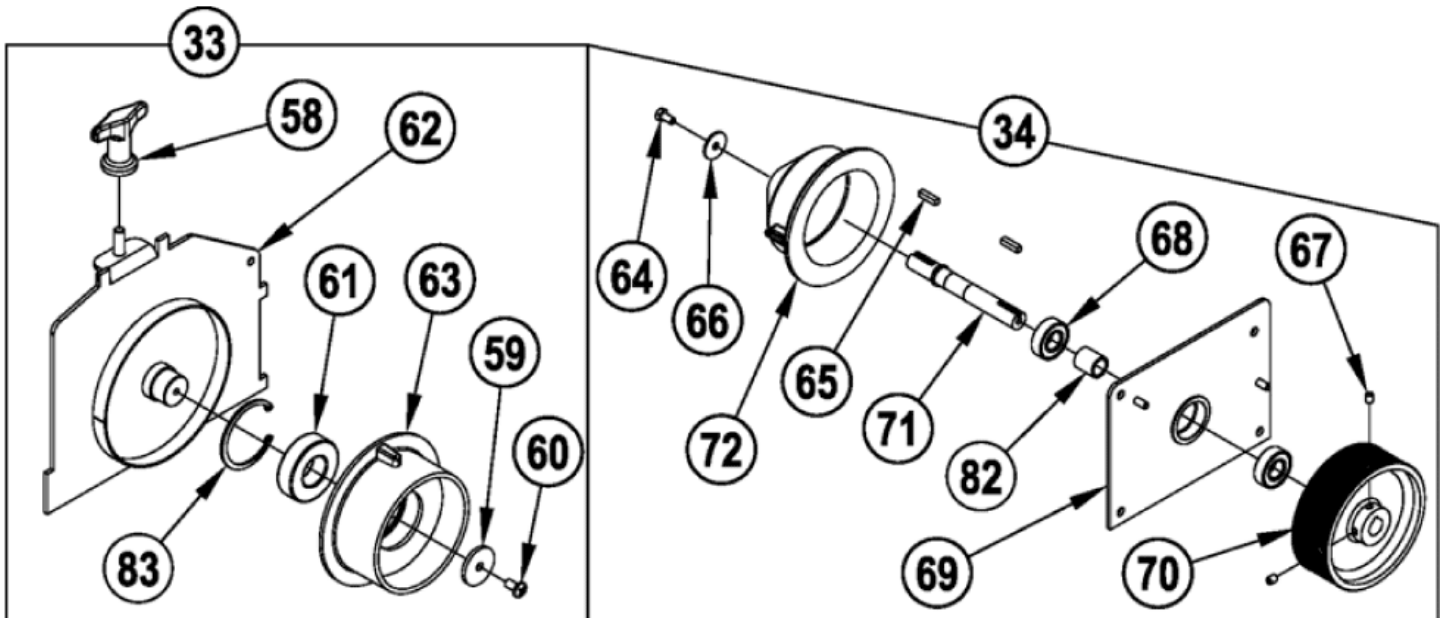
Scrub system-cylindrical - scrub assembly, before

BR 1100S - 1300S

30-05-2011

Part List ID
BR1100S1300S19

28



Scrub system-cylindrical - scrub assembly, before

BR 1100S - 1300S

30-05-2011

Part List ID
BR1100S1300S19

29

Pos	Part no.	Qty	Description		EAN
33	56413269	2	BROOM IDLER ASSEMBLY	58-63,83	5711144093
33	56413269	2	BROOM IDLER ASSEMBLY	58-63,83	5711144093
34	56413275	2	BROOM DRIVE LUG ASSEMBLY	64-72,82	5711144093
58	56370711	1	NUT THUMB		5711144067
59	56009199	1	WSH FLT BRASS .266X1.250X.125		5711144008
60	56009069	1	SCR PAN PHIL LOC 1/4 20X.50		5711144008
61	56111531	1	BEARING BALL	NOTE 1	5711144026
62	56109572	1	BROOM HANGER	USED AFTER APRIL 2010	5711144021
62	56413267	1	BROOM HANGER WELDT	USED BEFORE MAY 2010	5711144093
63	56109690	1	IDLER BRUSH	NOTE 1 - TSBUS2009-1048	5711144022
64	56003155	1	SCR HEX M6 1.0 X 12MM		5711144004
65	56003238	2	KEY SQ .19 X .78		5711144004
66	56009060	1	WSH FLT SS .260X1.000X.074		5711144007
67	56002930	2	SCR SOC SET LOC 1/4 20 X .38		5711144003
68	56303050	2	BEARING BALL		5711144041
69	56109573	1	BROOM HANGER	USED AFTER APRIL 2010	5711144021
69	56109573	1	BROOM HANGER	USED AFTER APRIL 2010	5711144021
69	56413276	1	BROOM HANGER WELDT	USED BEFORE MAY 2010	5711144093
69	56413276	1	BROOM HANGER WELDT	USED BEFORE MAY 2010	5711144093
70	56413284	1	SHEAVE POLY V		5711144093
71	56413620	1	SHAFT BROOM DRIVE LUG		5711144095
72	56109628	1	DRIVE LUG ASSY		5711144021
72	56109628	1	DRIVE LUG ASSY		5711144021
83	56003314	1	RING RET INT TYPE HO 2.047 DIA	NOTE 1	5711144005

NOTE 1: If you need to replace these items before SN 1000022903 please order Broom Kit 56414000.

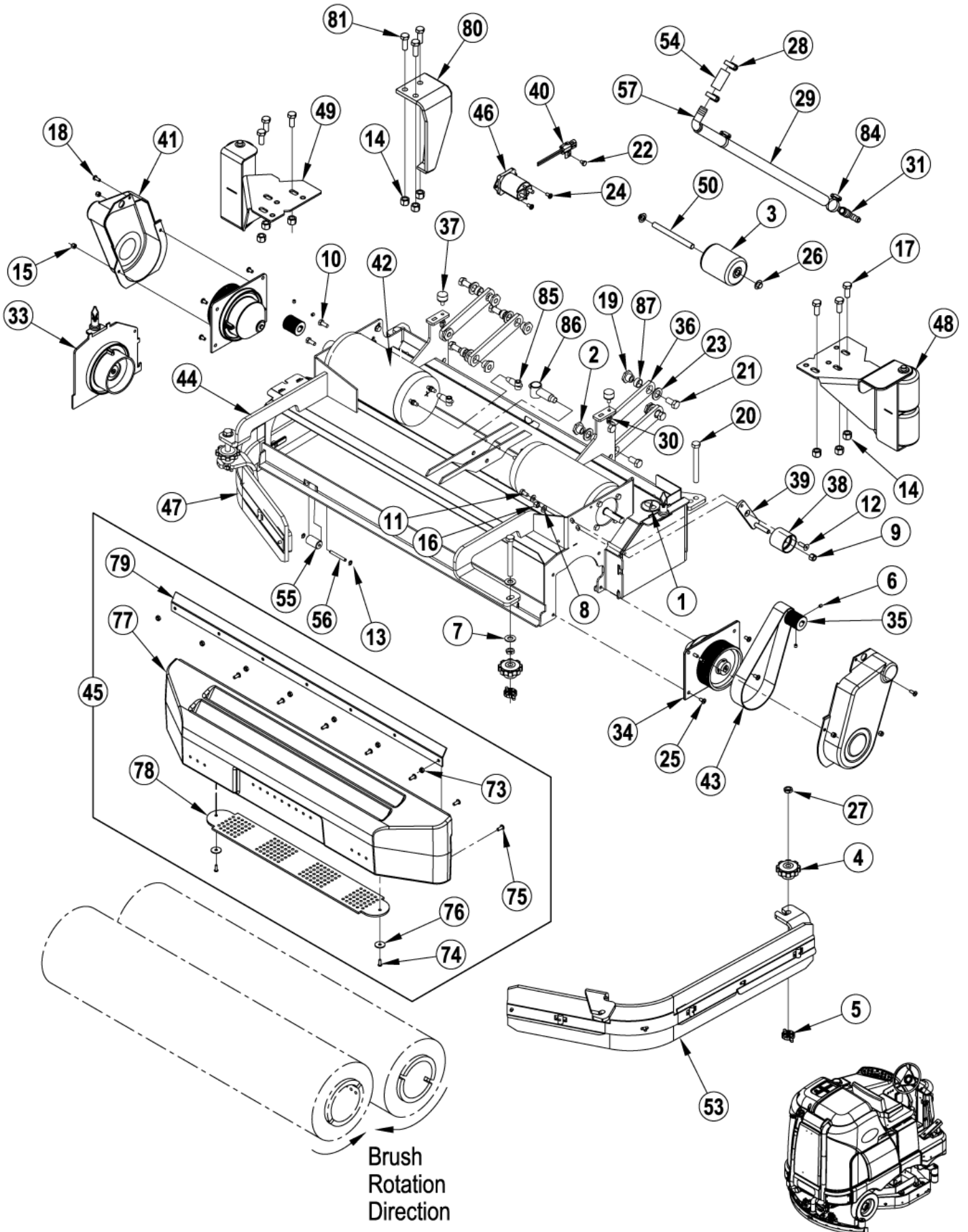
Scrub system-cylindrical - scrub assembly, after S

BR 1100S - 1300S

30-05-2011

Part List ID
BR1100S1300S20

30



Scrub system-cylindrical - scrub assembly, after S

BR 1100S - 1300S

30-05-2011

Part List ID
BR 1100S1300S20

31

Pos	Part no.	Qty	Description		EAN
	56413788	1	40 CYL SCRUB ASSEMBLY	BR 1100SC	5711144095
	56413788	1	40 CYL SCRUB ASSEMBLY	BR 1100SC	5711144095
	56413792	1	48 CYL SCRUB ASSEMBLY	BR 1300SC	5711144095
	56413792	1	48 CYL SCRUB ASSEMBLY	BR 1300SC	5711144095
1	56016163	2	DECAL NO STEP		5711144011
1	56016163	2	DECAL NO STEP		5711144011
2	56380646	2	BUSHING CAM 1/2 20 3/4 OD		5711144070
3	56407006	2	WHEEL ROLLER		5711144081
4	56380149	4	KNOB M12 1.75 THRU	TSBUS2010-1060	5711144154
4	56380149	4	KNOB M12 1.75 THRU	TSBUS2010-1060	5711144154
5	56407334	4	KNOB		5711144082
6	56001841	4	SCR SOC SET LOC 1/4 20 X .25		5711144000
7	56001879	4	WSH FLT SAE 1/2		5711144000
8	56001939	4	WSH FLT SAE 5/16		5711144000
9	56002769	2	NUT HEX NYL LOC 3/8 16		5711144002
10	56003179	8	SCR HEX THD/HD M8 1.25X20MM		5711144004
11	56003178	2	SCR HEX THD TO HD M8 1.25X16MM		5711144004
12	56002159	2	SCR FLT SOC 5/16 18 X 1.00		5711144001
13	56003268	4	RING RET EXT TYPE E REINF		5711144004
14	56003312	6	NUT HEX NYL LOC M12 1.75		5711144005
15	56003403	4	NUT HEX NYL LOC M6 X 1.00		5711144005
16	56002701	2	NUT HEX NYL LOC 5/16 18		5711144002
17	56003418	6	SCR HEX M12 1.75 X 30MM		5711144005
18	56003627	2	SCR PAN PHIL M6 1.00 X 16MM		5711144006
19	56380614	6	BUSHING 1/2 20 X 3/4 OD		5711144070
20	56003707	4	HEX THD TO HD SS 12 1.75X110MM		5711144006
21	56003485	8	SCR HEX 1/2 20 X 1.00		5711144006
22	56009019	1	SCR HEX THD FORM 1/4 20X .38		5711144007
23	56009022	8	WSH FLT .752/.756X1.250X.125		5711144007
24	56009062	2	SCR PAN PHIL THD FORM 1/4 20X.5		5711144007
25	56009069	8	SCR PAN PHIL LOC 1/4 20X.50		5711144008
26	56009097	4	NUT PUSH CAP 1/2		5711144008
27	56009258	4	NUT HEX JAM M12 1.75		5711144008
28	56112771	4	CLAMP HOSE SAE 10 E00047		5711144028
29	56303394	1	HOSE SPIRAL .750 X 25		5711144042
30	56009086	2	NUT HEX JAM 5/16 18		5711144008
31	56305760	1	TEE BARB 3/4 X 1/2 X 1/2		5711144049
32		4	CLAMP HOSE SAE 96 ER00047		5711144066
33	56413269	2	BROOM IDLER ASSEMBLY	58-63, 83	5711144093
33	56413269	2	BROOM IDLER ASSEMBLY	58-63, 83	5711144093
34	56413275	2	BROOM DRIVE LUG ASSEMBLY	64-72, 82	5711144093

NOTE 1: If you need to replace these items before SN 1000022903 please order Broom Kit 56414000.

NOTE 2: Brush motor 56413398 is no longer used in production and replaced by 56380617.

The Water Shields 56413604 & 56413605 used on 56413398 are also obsolete.

Scrub system-cylindrical - scrub assembly, after S

BR 1100S - 1300S

30-05-2011

Part List ID
BR 1100S1300S20

32

Pos	Part no.	Qty	Description		EAN
35	56413285	2	SHEAVE POLY V	TSBUS2010-1070	5711144093
36	56380153	4	ARM PARALLEL 6 IN	TSBUS2010-1070	5711144068
37	56413714	2	BUMPER RUBBER		5711144095
38	56413324	2	IDLER		5711144094
39	56413325	2	TENSIONER WELDT		5711144094
40	56413391	1	RESISTOR ASM 40K OHM	BR 1300SC / R2	5711144094
40	56413393	1	RESISTOR ASM 10K OHM	BR 1100SC / R2	5711144094
41	56413395	2	GUARD BELT		5711144094
42	56380617	1	MOTOR AMER TENV 36VDC 1.5HP	M9 / M10) NOTE 2	5711144170
42	56381479	1	KIT BRUSH AMER MOTOR	(for 56380617)	5711144185
42		2	MOTOR 36VDC 1.5 HP	M9 / M10	5711144094
42	56413628	1	BRUSH AND SPRING KIT MOTOR	(for obsolete motor 56413398)	5711144095
43	56413419	2	BELT POLY V 260J16		5711144094
44	56413247	1	CYL SCRUB DECK WELDT 40	BR 1100SC	5711144093
44	56413344	1	CYL SCRUB DECK WELDT 48	BR 1300SC	5711144094
45	56413331	1	HOPPER ASSEMBLY 40 IN.	BR 1100SC - 73-79	5711144094
45	56413331	1	HOPPER ASSEMBLY 40 IN.	BR 1100SC - 73-79	5711144094
45	56413346	1	HOPPER ASSEMBLY 48 IN.	BR 1300SC - 73-79	5711144094
45	56413346	1	HOPPER ASSEMBLY 48 IN.	BR 1300SC - 73-79	5711144094
46	56413516	1	CONTACTOR 36VDC 200A	TSBUS2008-1020	5711144094
47	56413556	1	LEFT SKIRT ASSEMBLY	BR 1300SC	5711144094
47	56413556	1	LEFT SKIRT ASSEMBLY	BR 1300SC	5711144094
47	56413871	1	LEFT SKIRT ASSEMBLY 40	BR 1100SC	5711144096
47	56413871	1	LEFT SKIRT ASSEMBLY 40	BR 1100SC	5711144096
48	56413578	1	RIGHT GUARD ASSEMBLY		5711144094
48	56413578	1	RIGHT GUARD ASSEMBLY		5711144094
49	56413584	1	LEFT GUARD ASSEMBLY	BR 1300SC	5711144094
49	56413584	1	LEFT GUARD ASSEMBLY	BR 1300SC	5711144094
50	56413596	2	PIN		5711144094
51		2	SHIELD WATER		5711144094
52		2	SHIELD WATER		5711144094
53	56413609	1	RIGHT SKIRT ASSEMBLY		5711144095
53	56413609	1	RIGHT SKIRT ASSEMBLY		5711144095
54	56413813	1	HOSE .75 X 2.00		5711144096
55	56413817	2	ROLLER REAR		5711144096
56	56413818	2	PIN		5711144096
57	56900272	1	BARB 90 DEG. E00476		5711144145
58	56370711	1	NUT THUMB		5711144067
59	56009199	1	WSH FLT BRASS .266X1.250X.125		5711144008
60	56009069	1	SCR PAN PHIL LOC 1/4 20X.50		5711144008
61	56111531	1	BEARING BALL	NOTE 1	5711144026

NOTE 1: If you need to replace these items before SN 100022903 please order Broom Kit 56414000.

NOTE 2: Brush motor 56413398 is no longer used in production and replaced by 56380617.

The Water Shields 56413604 & 56413605 used on 56413398 are also obsolete.

Scrub system-cylindrical - scrub assembly, after S

BR 1100S - 1300S

30-05-2011

Part List ID
BR1100S1300S20

33

Pos	Part no.	Qty	Description	EAN
62	56109572	1	BROOM HANGER	5711144021
63	56109690	1	IDLER BRUSH TSBUS2009-1048/TSBUS2010-1070	5711144022
64	56003155	1	SCR HEX M6 1.0 X 12MM	5711144004
65	56003238	2	KEY SQ .19 X .78	5711144004
66	56009060	1	WSH FLT SS .260X1.000X.074	5711144007
67	56002930	2	SCR SOC SET LOC 1/4 20 X .38	5711144003
68	56303050	2	BEARING BALL	5711144041
69	56109573	1	BROOM HANGER	5711144021
69	56109573	1	BROOM HANGER	5711144021
70	56413284	1	SHEAVE POLY V TSBUS2010-1070	5711144093
71	56413620	1	SHAFT BROOM DRIVE LUG	5711144095
72	56109628	1	DRIVE LUG ASSY TSBUS2010-1070	5711144021
72	56109628	1	DRIVE LUG ASSY TSBUS2010-1070	5711144021
73	56002850	7	NUT HEX NYL LOC THIN SS 1/4 20	5711144002
74	56002896	2	SCR PAN PHIL SS 10 24 X .62	5711144003
75	56002989	7	SCR PAN PHIL SS 1/4 20 X .62	5711144003
76	56009060	2	WSH FLT SS .260X1.000X.074	5711144007
77	56413333	1	HOPPER 40 IN. BR 1100SC	5711144094
77	56413348	1	HOPPER 48 IN. BR 1300SC	5711144094
78	56413338	1	SCREEN HOPPER 40 IN. BR 1100SC	5711144094
78	56413349	1	SCREEN HOPPER 48 IN. BR 1300SC	5711144094
79	56413339	1	THRESHOLD HOPPER 40 IN. BR 1100SC	5711144094
79	56413350	1	THRESHOLD HOPPER 48 IN. BR 1300SC	5711144094
80	56413831	1	ROLL BAR WELDT BR 1100SC ONLY	5711144096
81	56003415	3	SCR HEX THD TO HDM12 1.75X35MM BR 1100SC ONLY	5711144005
82	56413877	1	SPACER	5711144096
83	56003314	1	RING RET INT TYPE HO 2.047 DIA NOTE 1	5711144005
84	56244969	1	CLAMP HOSE SAE 12 E00047	5711144034
85	56409538	3	TERMINAL INSULATOR	5711144085
86	56493357	1	INSULATOR TERMINAL	5711144126
87	56380646	8	BUSHING CAM 1/2 20 3/4 OD	5711144070

NOTE 1: If you need to replace these items before SN 100022903 please order Broom Kit 56414000.

NOTE 2: Brush motor 56413398 is no longer used in production and replaced by 56380617.

The Water Shields 56413604 & 56413605 used on 56413398 are also obsolete.

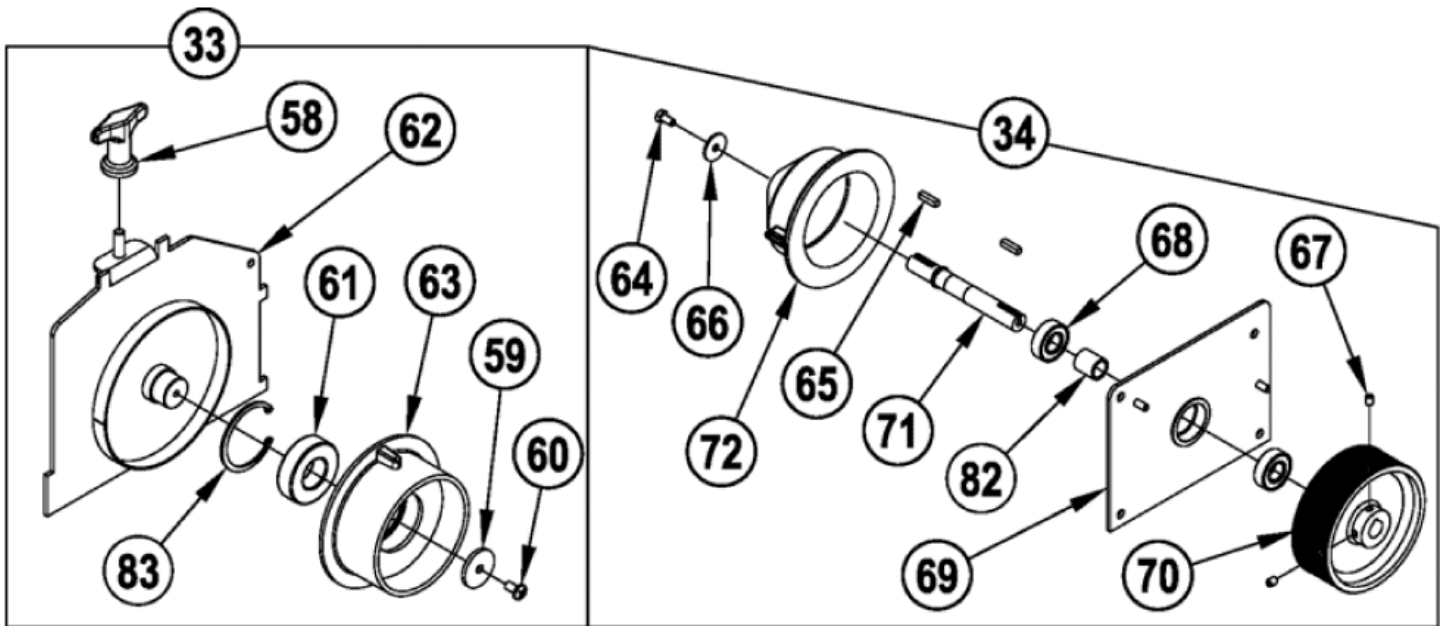
Scrub system-cylindrical - scrub assembly, after S

BR 1100S - 1300S

30-05-2011

Part List ID
BR1100S1300S21

34



Scrub system-cylindrical - scrub assembly, after S

BR 1100S - 1300S

30-05-2011

Part List ID
BR1100S1300S21

35

Pos	Part no.	Qty	Description		EAN
33	56413269	2	BROOM IDLER ASSEMBLY	58-63, 83	5711144093
33	56413269	2	BROOM IDLER ASSEMBLY	58-63, 83	5711144093
34	56413275	2	BROOM DRIVE LUG ASSEMBLY	64-72, 82	5711144093
59	56009199	1	WSH FLT BRASS .266X1.250X.125		5711144008
60	56009069	1	SCR PAN PHIL LOC 1/4 20X.50		5711144008
61	56111531	1	BEARING BALL	NOTE 1	5711144026
62	56109572	1	BROOM HANGER		5711144021
63	56109690	1	IDLER BRUSH	NOTE 1 - TSBUS2009-1048	5711144022
64	56003155	1	SCR HEX M6 1.0 X 12MM		5711144004
65	56003238	2	KEY SQ .19 X .78		5711144004
66	56009060	1	WSH FLT SS .260X1.000X.074		5711144007
67	56002930	2	SCR SOC SET LOC 1/4 20 X .38		5711144003
68	56303050	2	BEARING BALL		5711144041
69	56109573	1	BROOM HANGER		5711144021
69	56109573	1	BROOM HANGER		5711144021
70	56413284	1	SHEAVE POLY V		5711144093
71	56413620	1	SHAFT BROOM DRIVE LUG		5711144095
72	56109628	1	DRIVE LUG ASSY		5711144021
72	56109628	1	DRIVE LUG ASSY		5711144021
83	56003314	1	RING RET INT TYPE HO 2.047 DIA	NOTE 1	5711144005

NOTE 1: If you need to replace these items before SN 1000022903 please order Broom Kit 56414000.

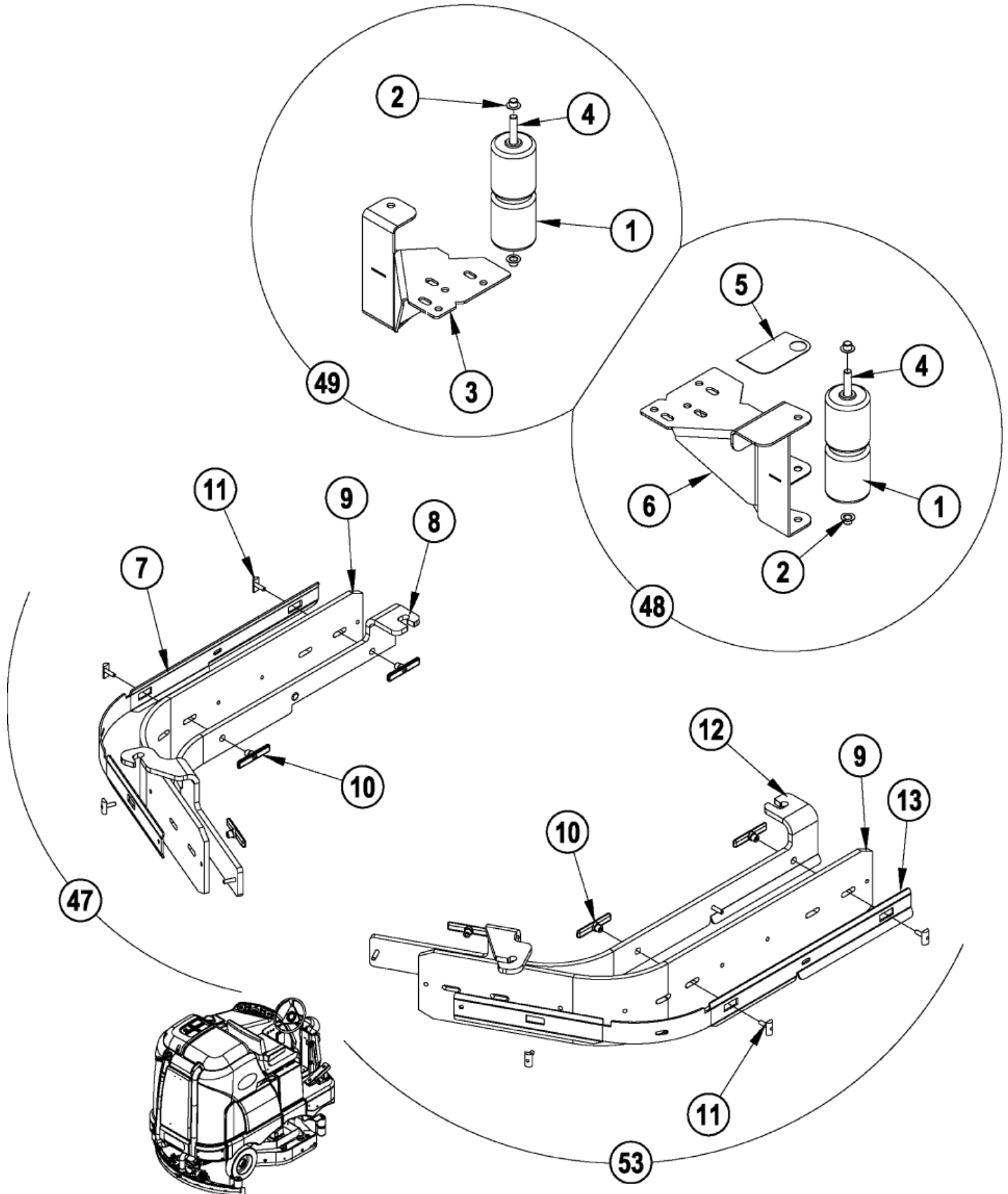
Scrub system-cylindrical - skirt/bumber assemblie

BR 1100S - 1300S

30-05-2011

Part List ID
BR1100S1300S23

36



Scrub system-cylindrical - skirt/bumber assemblie

BR 1100S - 1300S

30-05-2011

Part List ID
BR1100S1300S23

37

Pos	Part no.	Qty	Description	EAN
1	56407006	4	WHEEL ROLLER	5711144081
2	56009097	4	NUT PUSH CAP 1/2	5711144008
3	56413571	1	LEFT GUARD WELDT	5711144094
4	56413590	2	PIN	5711144094
5	56413721	1	GRIP SURFACE	5711144095
6	56413837	1	GUARD WELDMENT	5711144096
7	56413860	1	STRAP SKIRT LEFT	5711144096
8	56413858	1	LEFT BRACKET WELDT 45 AND 48	BR 1300SC 5711144096
8	56413872	1	LEFT BRACKET WELDT 40	BR 1100SC 5711144096
9	56413654	2	SKIRT	LINATEX 5711144095
9	56413743	2	BLADE DECK POLYURETHANE	POLYURETHANE - OPTIONAL 5711144095
9	56413820	2	BLADE DECK GUM	GUM RUBBER - OPTIONAL 5711144096
10	56413717	6	THUMB NUT	5711144095
11	56413850	6	SKIRT RETAINER ASSEMBLY	5711144096
11	56413850	6	SKIRT RETAINER ASSEMBLY	5711144096
12	56413854	1	RIGHT SKIRT BRACKET WELDT	5711144096
13	56413857	1	STRAP SKIRT RIGHT	5711144096
47	56413556	1	LEFT SKIRT ASSEMBLY	(#7-11 / BR 1300SC ONLY) PAGE 18 5711144094
47	56413556	1	LEFT SKIRT ASSEMBLY	(#7-11 / BR 1300SC ONLY) PAGE 18 5711144094
47	56413871	1	LEFT SKIRT ASSEMBLY 40	(#7-11 / BR 1100SC ONLY) PAGE 18 5711144096
47	56413871	1	LEFT SKIRT ASSEMBLY 40	(#7-11 / BR 1100SC ONLY) PAGE 18 5711144096
48	56413578	1	RIGHT GUARD ASSEMBLY	(#1, 2, 4, 5, 6) PAGE 18 5711144094
48	56413578	1	RIGHT GUARD ASSEMBLY	(#1, 2, 4, 5, 6) PAGE 18 5711144094
49	56413584	1	LEFT GUARD ASSEMBLY	(#1-4 / BR 1300SC ONLY) PAGE 18 5711144094
49	56413584	1	LEFT GUARD ASSEMBLY	(#1-4 / BR 1300SC ONLY) PAGE 18 5711144094
53	56413609	1	RIGHT SKIRT ASSEMBLY	(#9-13) PAGE 18 5711144095
53	56413609	1	RIGHT SKIRT ASSEMBLY	(#9-13) PAGE 18 5711144095

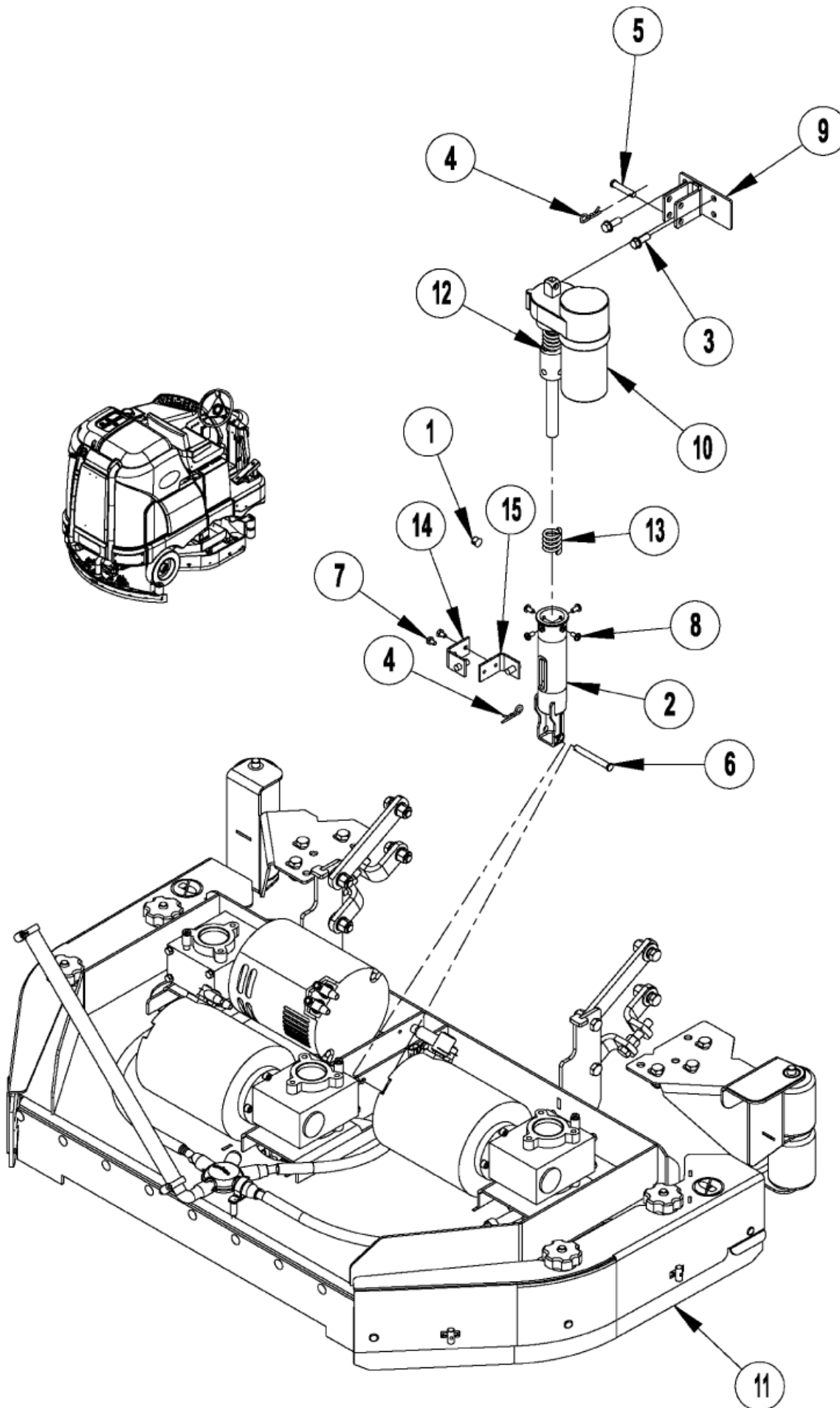
Scrub system-disk

BR 1100S - 1300S

30-05-2011

Part List ID
BR1100S1300S25

38



Scrub system-disk

BR 1100S - 1300S

30-05-2011

Part List ID
BR1100S1300S25

39

Pos	Part no.	Qty	Description		EAN
1	56323560	1	BUTTON PLUG .500 E00046		5711144063
2	56412262	1	HOUSING SPRING		5711144092
3	56002256	2	SCR HEX TYPE1 3/8 16X 1.00		5711144001
4	56003222	2	PIN COT HAIR .125 X DIA.50/.75		5711144004
5	56003597	1	PIN CLEVIS .375 X 1.75		5711144006
6	56003704	1	CLEVIS PIN		5711144006
7	56009019	2	SCR HEX THD FORM 1/4 20X .38		5711144007
8	56009062	4	SCR PAN PHIL THD FORM1/4 20X.5		5711144007
9	56413455	1	MOUNT WELDMENT		5711144094
10	56413700	1	ACTUATOR	M2	5711144095
11	56413791	1	48 DISK SCRUB ASSEMBLY	BR 1300S	5711144095
11	56413791	1	48 DISK SCRUB ASSEMBLY	BR 1300S	5711144095
11	56413793	1	BR1100S SCRUB ASSEMBLY	BR 1100S	5711144095
12	56413828	1	SPRING UPPER HOUSING		5711144096
13	56413829	1	SPRING LOWER HOUSING		5711144096
14	56420019	1	NUT RETAINER WLMT.		5711144105
15	56420020	1	NUT RETAINER WLMT.		5711144105

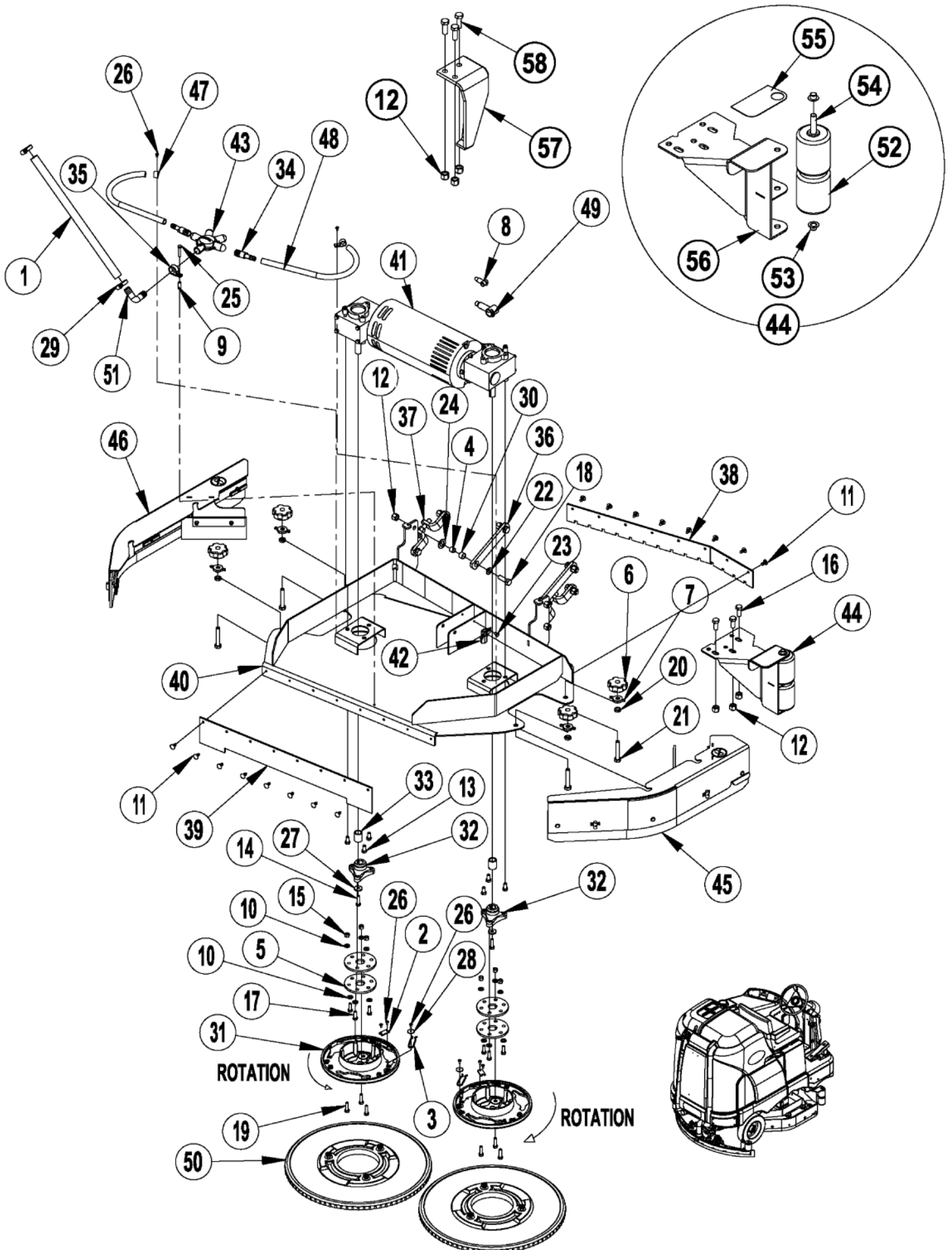
Scrub system-disk - BR1100S scrub assembly

BR 1100S - 1300S

30-05-2011

Part List ID
BR1100S1300S27

40



Scrub system-disk - BR1100S scrub assembly

BR 1100S - 1300S

30-05-2011

Part List ID
BR1100S1300S27

41

Pos	Part no.	Qty	Description	EAN
	56413793	1	BR1100S SCRUB ASSEMBLY	5711144095
1	56264262	1	HOSE SPIRAL .750 E00605	5711144037
1	56264262	1	HOSE SPIRAL .750 E00605	5711144037
2	56366455	2	PLATE CV24B	5711144066
3	56366463	2	SPRING RETAINER CV24C	5711144066
4	56367206	8	BUSHING CV32G	5711144067
5	56407053	4	THERMOID DISC	5711144081
6	56380149	4	KNOB M12 1.75 THRU	TSBUS2010-1060 5711144154
6	56380149	4	KNOB M12 1.75 THRU	TSBUS2010-1060 5711144154
7	56407334	4	KNOB	5711144082
8	56409538	1	TERMINAL INSULATOR	5711144085
9	56471220	1	BUSHING .25X.37X1.0RE185L	5711144123
10	56002938	12	WSH FLT SAE SS 5/16	5711144003
11	56003263	16	RIVET NYLON TREE PUSH IN.25	5711144004
12	56003312	14	NUT HEX NYL LOC M12 1.75	5711144005
13	56002885	6	SCR HEX SS 3/8 16 X .75	5711144003
14	56003372	2	SCR HEX LOC SS 5/16 X18X 1.25	5711144005
15	56003405	6	NUT HEX NYL LOC SS M8X1.25	5711144005
16	56003418	3	SCR HEX M12 1.75 X 30MM	5711144005
17	56003477	6	SCR HX NYLOC SS M8 1.25 X 25MM	5711144005
18	56003637	8	SCR HEX M12 1.75 X 40MM	5711144006
19	56003639	6	SCR HEX SS M8 1.25 X 30MM	5711144006
20	56003657	4	NUT HEX JAM M12 1.75	5711144006
21	56003658	4	SCR THD TO HD SS M12 1.75X70MM	5711144006
22	56009017	8	WSH FLT HDN .516X.938X.075	5711144007
23	56009019	1	SCR HEX THD FORM 1/4 20X .38	5711144007
24	56009022	8	WSH FLT .752/.756X1.250X.125	5711144007
25	56009028	1	SCR HEX THD FORM 1/4 20X1.50	5711144007
26	56009030	8	SCR PAN PHIL THD FOM 10 24X.38	5711144007
27	56009057	2	WSH FLT HDN .344X1.0X.120/.13	5711144007
28	56009096	2	WSH FLT .193X.875X.060	5711144008
29	56112771	2	CLAMP HOSE SAE 10 E00047	5711144028
30	56304586	8	BEARING .750X.625X.500	5711144044
31	56314030	2	BRUSH HOLDER	5711144053
32	56314108	2	HUB DRIVE	5711144054
33	56314109	2	SPACER	5711144054
34	56315625	2	BARB COUPLER 3/4 X 1/2	5711144060
35	56410223	1	CLAMP P 56E00623	5711144087
36	56413302	2	ARM PARALLEL 6 IN	5711144094
37	56413303	2	ARM ADJUSTABLE ASM	5711144094
37	56413303	2	ARM ADJUSTABLE ASM	5711144094
38	56413318	1	BLADE DECK GUM FRONT	5711144094

Scrub system-disk - BR1100S scrub assembly

BR 1100S - 1300S

30-05-2011

Part List ID
BR1100S1300S27

42

Pos	Part no.	Qty	Description		EAN
39	56413319	1	BLADE DECK GUM REAR		5711144094
40	56413334	1	WELDMENT 40 DISK DECK		5711144094
41	56389395	1	BRUSH SPRING/SET 4	FOR 56413336 - not shown	5711144072
41	56407196	1	GEARBOX	FOR 56413336 - not shown	5711144082
41	56407500	1	BRUSH ASSEMBLY KIT	FOR 56413336 - not shown	5711144083
41	56410182	1	BEARING B.E.	FOR 56413336 - not shown	5711144087
41	56410183	1	BEARING F.E.	FOR 56413336 - not shown	5711144087
41	56412266	1	BRUSH BOARD ASSY	FOR 56413336 - not shown	5711144092
41	56413336	1	GEARBOX ASSEMBLY 20	M9	5711144094
42	56413390	1	RESISTOR ASM 1K OHM	R2	5711144094
43	56413426	1	MANIFOLD SOLUTION		5711144094
44	56413578	1	RIGHT GUARD ASSEMBLY	52-56	5711144094
44	56413578	1	RIGHT GUARD ASSEMBLY	52-56	5711144094
45	56413737	1	RIGHT SKIRT ASSEMBLY		5711144095
45	56413737	1	RIGHT SKIRT ASSEMBLY		5711144095
46	56413738	1	LEFT SKIRT ASSEMBLY		5711144095
46	56413738	1	LEFT SKIRT ASSEMBLY		5711144095
47	56442003	2	CLAMP CABLE .677 E00129		5711144107
48	56459064	2	HOSE E00199		5711144114
49	56493357	1	INSULATOR TERMINAL		5711144126
50	56505794	2	DISC BRUSH 20 PROLENE 3 LUG		5711144128
51	56900272	1	BARB 90 DEG. E00476		5711144145
52	56407006	2	WHEEL ROLLER		5711144081
53	56009097	2	NUT PUSH CAP 1/2		5711144008
54	56413590	1	PIN		5711144094
55	56413721	1	GRIP SURFACE		5711144095
56	56413837	1	GUARD WELDMENT		5711144096
57	56413831	1	ROLL BAR WELDT		5711144096
58	56003415	3	SCR HEX THD TO HDM12 1.75X35MM		5711144005

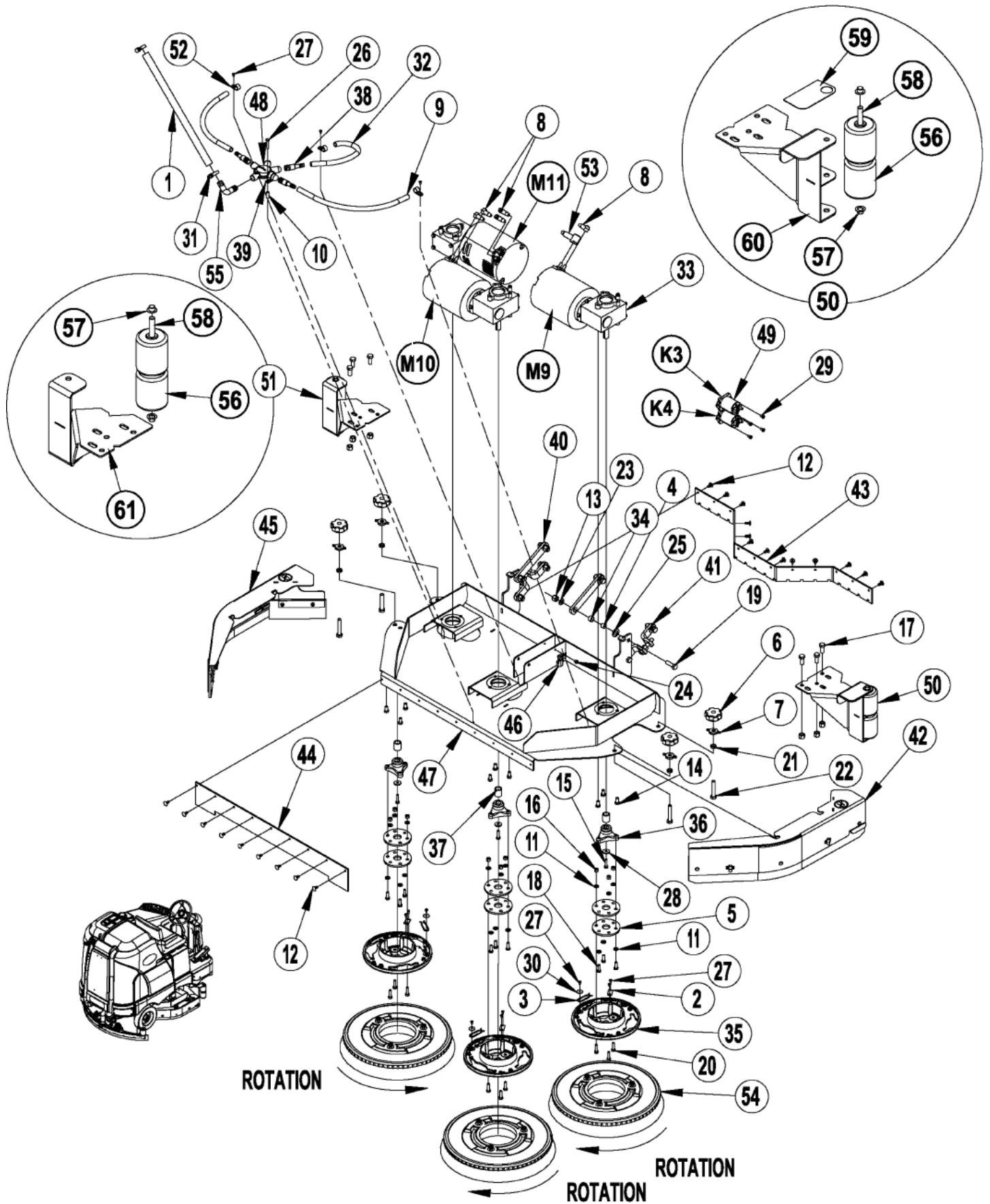
Scrub system-disk - BR1300S scrub assembly

BR 1100S - 1300S

30-05-2011

Part List ID
BR1100S1300S29

43



Scrub system-disk - BR1300S scrub assembly

BR 1100S - 1300S

30-05-2011

Part List ID
BR 1100S1300S29

44

Pos	Part no.	Qty	Description	EAN
1	56264262	1	HOSE SPIRAL .750 E00605	5711144037
1	56264262	1	HOSE SPIRAL .750 E00605	5711144037
2	56366455	3	PLATE CV24B	5711144066
3	56366463	3	SPRING RETAINER CV24C	5711144066
4	56367206	8	BUSHING CV32G	5711144067
5	56407053	6	THERMOID DISC	5711144081
6	56380149	4	KNOB M12 1.75 THRU	TSBUS2010-1060 5711144154
6	56380149	4	KNOB M12 1.75 THRU	TSBUS2010-1060 5711144154
7	56407334	4	KNOB	5711144082
8	56409538	5	TERMINAL INSULATOR	5711144085
9	56459064	2	HOSE E00199	5711144114
10	56471220	1	BUSHING .25X.37X1.0RE185L	5711144123
11	56002938	18	WSH FLT SAE SS 5/16	5711144003
12	56003263	22	RIVET NYLON TREE PUSH IN.25	5711144004
13	56003312	14	NUT HEX NYL LOC M12 1.75	5711144005
14	56002885	9	SCR HEX SS 3/8 16 X .75	5711144003
15	56003372	3	SCR HEX LOC SS 5/16 X18X 1.25	5711144005
16	56003405	9	NUT HEX NYL LOC SS M8X1.25	5711144005
17	56003418	6	SCR HEX M12 1.75 X 30MM	5711144005
18	56003477	9	SCR HX NYLOC SS M8 1.25 X 25MM	5711144005
19	56003637	8	SCR HEX M12 1.75 X 40MM	5711144006
20	56003639	9	SCR HEX SS M8 1.25 X 30MM	5711144006
21	56003657	4	NUT HEX JAM M12 1.75	5711144006
22	56003658	4	SCR THD TO HD SS M12 1.75X70MM	5711144006
23	56009017	8	WSH FLT HDN .516X.938X.075	5711144007
24	56009019	1	SCR HEX THD FORM 1/4 20X .38	5711144007
25	56009022	8	WSH FLT .752/.756X1.250X.125	5711144007
26	56009028	1	SCR HEX THD FORM 1/4 20X1.50	5711144007
27	56009030	12	SCR PAN PHIL THD FOM 10 24X.38	5711144007
28	56009057	3	WSH FLT HDN .344X1.0X.120/.13	5711144007
29	56009062	4	SCR PAN PHIL THD FORM1/4 20X.5	5711144007
30	56009096	3	WSH FLT .193X.875X.060	5711144008
31	56112771	2	CLAMP HOSE SAE 10 E00047	5711144028
32	56380543	1	HOSE PVC CLEAR 15.00	5711144070
33	56303083	3	GEARMOTOR ASSEMBLY	M9, M10, M11 5711144041
33	56303419	4	BRUSH CARBON	FOR 56303083 5711144042
33	56303444	4	SPRING BRUSH	FOR 56303083 5711144042
34	56304586	8	BEARING .750X.625X.500	5711144044
35	56314030	3	BRUSH HOLDER	5711144053
36	56314108	3	HUB DRIVE	5711144054
37	56314109	3	SPACER	5711144054
38	56315625	3	BARB COUPLER 3/4 X 1/2	5711144060

Scrub system-disk - BR1300S scrub assembly

BR 1100S - 1300S

30-05-2011

Part List ID
BR1100S1300S29

45

Pos	Part no.	Qty	Description		EAN
39	56410223	1	CLAMP P 56E00623		5711144087
40	56413302	2	ARM PARALLEL 6 IN		5711144094
41	56413303	2	ARM ADJUSTABLE ASM		5711144094
41	56413303	2	ARM ADJUSTABLE ASM		5711144094
42	56413307	1	RIGHT SKIRT ASSEMBLY		5711144094
42	56413307	1	RIGHT SKIRT ASSEMBLY		5711144094
43	56413374	1	BLADE DECK GUM FRONT		5711144094
44	56413379	1	BLADE DECK GUM RR 48		5711144094
45	56413381	1	LEFT SKIRT ASSEMBLY		5711144094
45	56413381	1	LEFT SKIRT ASSEMBLY		5711144094
46	56413392	1	RESISTOR ASM 20K OHM	R2	5711144094
47	56413396	1	DECK WELDMENT 48		5711144094
48	56413426	1	MANIFOLD SOLUTION		5711144094
49	56413516	2	CONTACTOR 36VDC 200A	K3, K4 - TSBUS2008-1020	5711144094
50	56413578	1	RIGHT GUARD ASSEMBLY	56-60	5711144094
50	56413578	1	RIGHT GUARD ASSEMBLY	56-60	5711144094
51	56413584	1	LEFT GUARD ASSEMBLY	56-58 & 61	5711144094
51	56413584	1	LEFT GUARD ASSEMBLY	56-58 & 61	5711144094
52	56442003	3	CLAMP CABLE .677 E00129		5711144107
53	56493357	1	INSULATOR TERMINAL		5711144126
54	56505784	3	DISC BRUSH 17 PROLENE 3 LUG		5711144128
55	56900272	1	BARB 90 DEG. E00476		5711144145
56	56407006	2	WHEEL ROLLER	QTY PER ASSY	5711144081
57	56009097	2	NUT PUSH CAP 1/2	QTY PER ASSY	5711144008
58	56413590	1	PIN	QTY PER ASSY	5711144094
59	56413721	1	GRIP SURFACE		5711144095
60	56413837	1	GUARD WELDMENT		5711144096
61	56413571	1	LEFT GUARD WELDT		5711144094

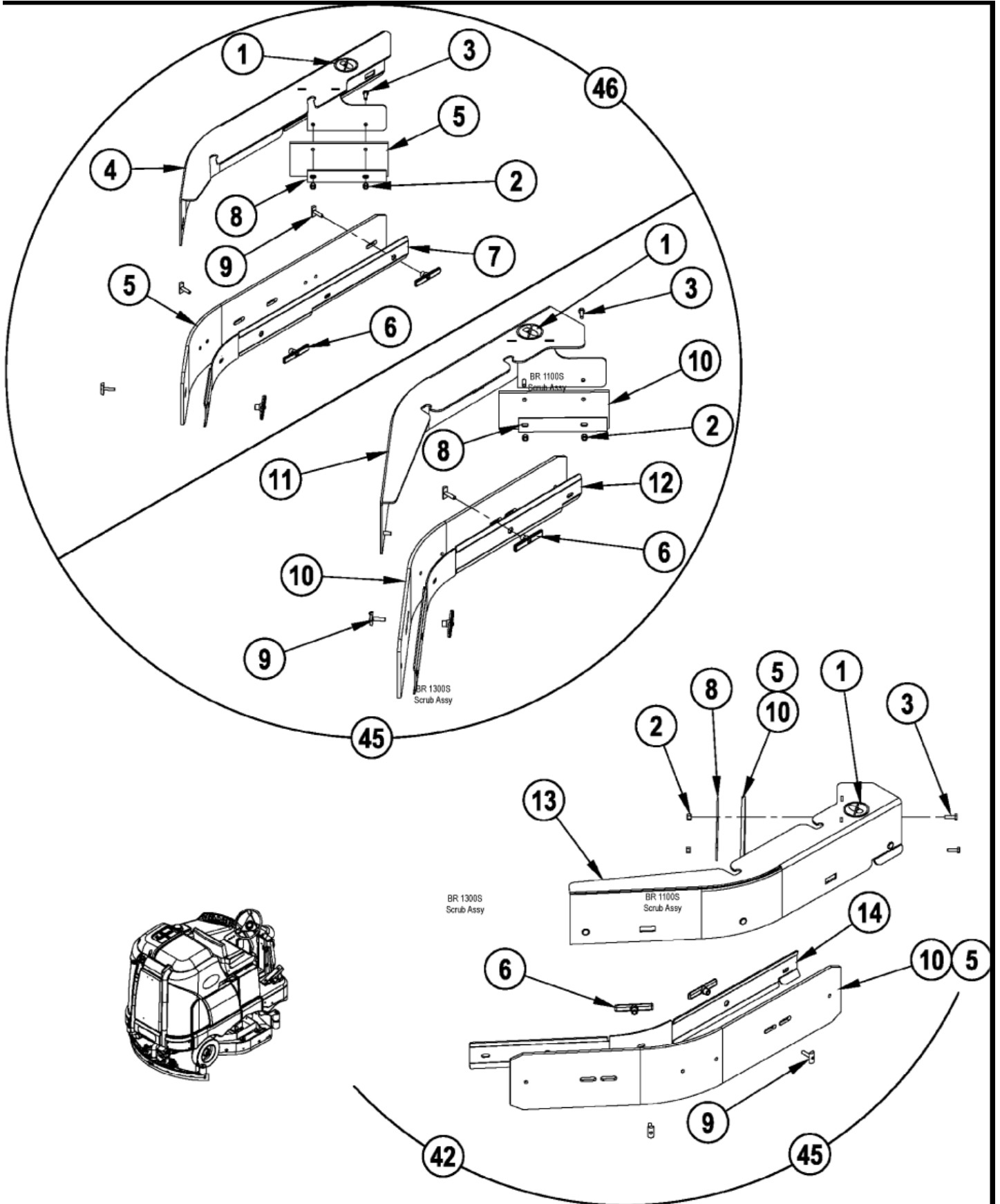
Scrub system-disk - skirt assemblies

BR 1100S - 1300S

30-05-2011

Part List ID
BR1100S1300S31

46



Scrub system-disk - skirt assemblies

BR 1100S - 1300S

30-05-2011

Part List ID
BR1100S1300S31

47

Pos	Part no.	Qty	Description		EAN
1	56016163	1	DECAL NO STEP	QTY PER SKIRT ASSY	5711144011
1	56016163	1	DECAL NO STEP	QTY PER SKIRT ASSY	5711144011
2	56003426	2	NUT HEX NYL LOC SS M6	QTY PER SKIRT ASSY	5711144005
3	56003454	2	SCR HEX THD TO HD SS M6 1X20MM	QTY PER SKIRT ASSY	5711144005
4	56413314	1	SKIRT WELDMENT LEFT	BR 1100S	5711144094
5	56413754	1	BLADE KIT DISC PU 40	BR 1100S - NOTE 1, OPTIONAL	5711144095
5	56413767	1	BLADE KIT DISC GUM 40	BR 1100S - NOTE 1, OPTIONAL	5711144095
5	56413768	1	BLADE KIT DISC RED GUM 40	BR 1100S - NOTE 1	5711144095
6	56413717	3	THUMB NUT	BR 1100S / QTY PER SKIRT ASSY	5711144095
7	56413718	1	STRAP LEFT	BR 1100S	5711144095
8	56413725	1	STRAP	QTY PER SKIRT ASSY	5711144095
9	56413850	3	SKIRT RETAINER ASSEMBLY	BR 1100S / QTY PER SKIRT ASSY	5711144096
9	56413850	3	SKIRT RETAINER ASSEMBLY	BR 1100S / QTY PER SKIRT ASSY	5711144096
10	56413755	1	BLADE KIT DISC PU 45/48	BR 1300S - DISK BLADE NOTE 1, OPTIONAL	5711144095
10	56413769	1	BLADE KIT DISC GUM 45/48	BR 1300S - DISK BLADE NOTE 1, OPTIONAL	5711144095
10	56413770	1	BLADE KIT DISC RED GUM	BR 1300S - DISK BLADE NOTE 1	5711144095
11	56413389	1	SKIRT WELDMENT LEFT	BR 1300S	5711144094
12	56413712	1	STRAP LEFT	BR 1300S	5711144095
13	56413308	1	SKIRT WELDMENT RIGHT	BR 1100S / BR 1300S	5711144094
13	56413308	1	SKIRT WELDMENT RIGHT	BR 1100S / BR 1300S	5711144094
14	56413690	1	STRAP RIGHT	BR 1100S / BR 1300S	5711144095
42	56413307	1	RIGHT SKIRT ASSEMBLY	BR 1300S - PAGE 26	5711144094
42	56413307	1	RIGHT SKIRT ASSEMBLY	BR 1300S - PAGE 26	5711144094
45	56413381	1	LEFT SKIRT ASSEMBLY	BR 1300S - PAGE 26	5711144094
45	56413381	1	LEFT SKIRT ASSEMBLY	BR 1300S - PAGE 26	5711144094
45	56413737	1	RIGHT SKIRT ASSEMBLY	BR 1100S - PAGE 24	5711144095
45	56413737	1	RIGHT SKIRT ASSEMBLY	BR 1100S - PAGE 24	5711144095
46	56413738	1	LEFT SKIRT ASSEMBLY	BR 1100S - PAGE 24	5711144095
46	56413738	1	LEFT SKIRT ASSEMBLY	BR 1100S - PAGE 24	5711144095

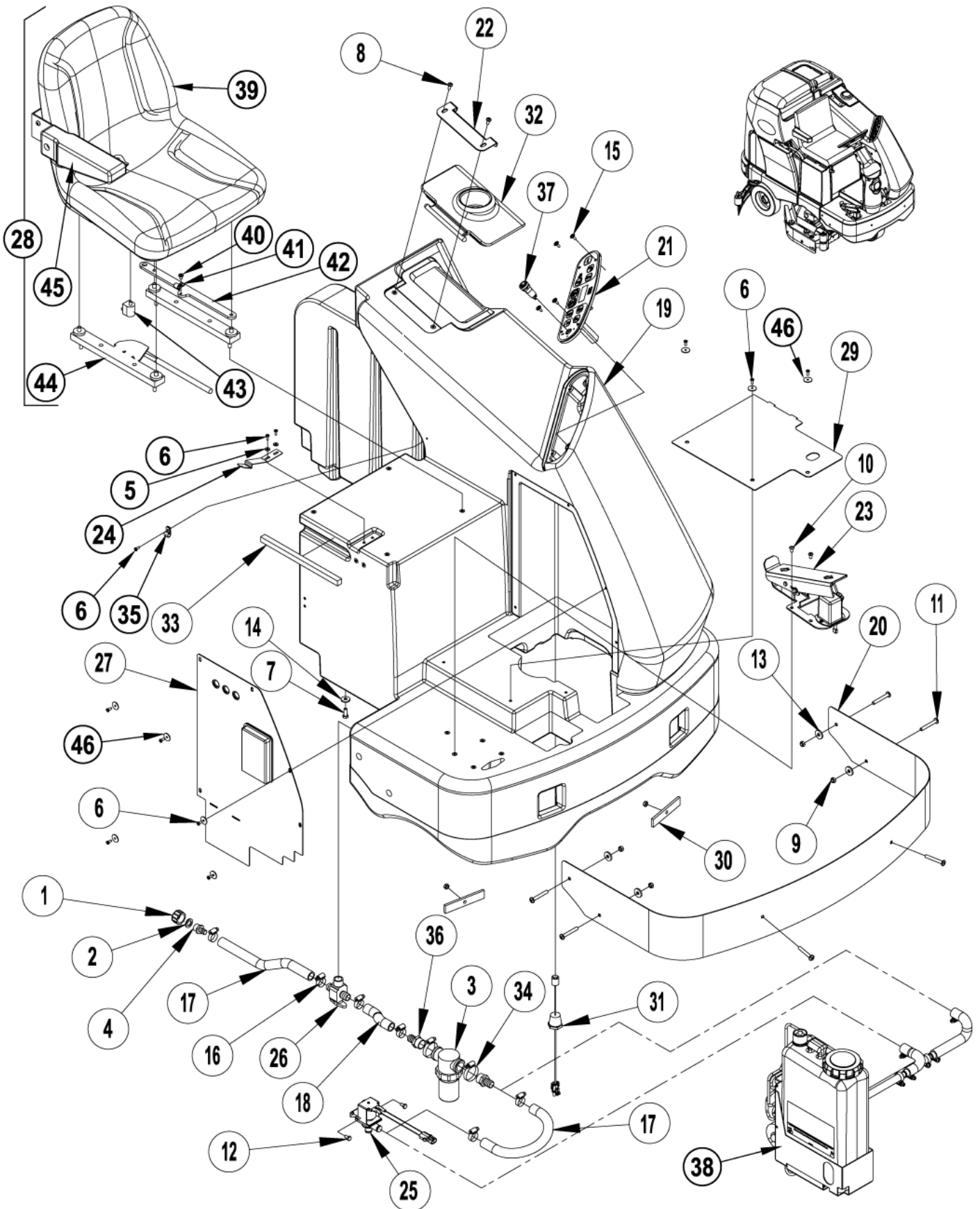
Solution system

BR 1100S - 1300S

30-05-2011

Part List ID
BR1100S1300S33

48



Solution system

BR 1100S - 1300S

30-05-2011

Part List ID
BR1100S1300S33

49

Pos	Part no.	Qty	Description	EAN
1	56255076	1	CAP PIPE GHT NYLON FA33K	5711144035
2	56368776	1	WSH FLT RUBBER .625CV80L	5711144067
3	56407162	1	FILTER	5711144081
4	56900273	1	BARB HOSE E00039	5711144145
5	56001954	2	WSH FLT SAE 10	5711144000
6	56001993	11	SCREW 10 24 X 0.5 ZINC PL	5711144000
7	56002037	4	SCR HEX 5/16 18 X .88	5711144000
8	56002066	2	SCR PAN PHIL 1/4 20 X .62	5711144000
9	56002826	6	NUT HEX NYL LOC THIN 5/16 18	5711144002
10	56003119	5	SCR PAN PHIL SS 1/4 20 X .50	5711144004
10	56003119	5	SCR PAN PHIL SS 1/4 20 X .50	5711144004
11	56003718	6	SCR PAN PHIL 5/16 18 X 2.25	5711144006
12	56009033	2	SCR HEX THD FORM 1/4 20X.50	5711144007
13	56009057	4	WSH FLT HDN .344X1.0X.120/.13	5711144007
14	56009294	4	WSH FLT .354x1.247x.120	5711144009
15	56009206	4	SCR TRUSS PHIL BLK 10 24X.50	5711144008
16	56112771	6	CLAMP HOSE SAE 10 E00047	qty of 4 on EDS models 5711144028
17	56392193	2	HOSE SPIRAL E00605	5711144074
18	56413876	1	HOSE CLEAR PVC .75X5.50	5711144096
19	56413081	1	TANK SOLUTION	5711144093
20	56413082	1	BUMPER FRONT	5711144093
21	56381083	1	CONTROL PANEL ASSY	(A3) NOTE 4 5711144070
21	56413157	1	TOUCH PAD ASSEMBLY	(A3) NOTE 3 5711144093
22	56413249	1	MOUNT LID	5711144093
23	56413421	1	PEDAL ASSEMBLY	TSBUS2008-1001 5711144094
23	56413421	1	PEDAL ASSEMBLY	TSBUS2008-1001 5711144094
24	56413482	1	CLIP	5711144094
25	56413510	1	SOLENOID VALVE ASSEMBLY	5711144094
25	56413510	1	SOLENOID VALVE ASSEMBLY	5711144094
26	56413581	1	VALVE T SHUTOFF	5711144094
27	56413594	1	PANEL ELECT COVER ASSEMBLY	5711144094
27	56413594	1	PANEL ELECT COVER ASSEMBLY	5711144094
28	56002507	1	SCR PAN PHIL 1/4 20 X .75	NOTE 2 - not shown 5711144001
28	56003032	1	SCR HEX LOC 1/2 13 X .75	NOTE 2 - not shown 5711144003
28	56003119	4	SCR PAN PHIL SS 1/4 20 X .50	NOTE 2 - not shown 5711144004
28	56003119	4	SCR PAN PHIL SS 1/4 20 X .50	NOTE 2 - not shown 5711144004
28	56109291	1	SEAT ASSY KIT	NOTE 1 - not shown 5711144020

NOTE 1: Starting in August 2007 Seat Assy 56409021 will no longer be available. If you order part number 56409021 you will automatically receive Seat Assy Kit 56109291. When replacing 56409021 with 56109291 you will also need to order items (40, 41 & 42) above. Machines built after August 2007 will have the new seat assembly as pictured on the left.

NOTE 2: These items are replacement parts for machines built prior to August 2007. If your seat assembly looks like the one pictured on the left these parts are not used on your machine.

NOTE 3: Only used before SN1000038925

NOTE 4: Only used after SN1000038924.

Solution system

BR 1100S - 1300S

30-05-2011

Part List ID
BR1100S1300S33

50

Pos	Part no.	Qty	Description		EAN
28	56323260	1	CLAMP CABLE	NOTE 2 - not shown	5711144063
28	56409536	1	STRAP	NOTE 2 - not shown	5711144085
28	56409613	1	SWITCH SEAT	S2 - NOTE 2 - not shown	5711144085
28	56413619	1	SEAT MOUNTING ASSEMBLY	39-45 - NOTE 1	5711144095
28	56413619	1	SEAT MOUNTING ASSEMBLY	39-45 - NOTE 1	5711144095
29	56413624	1	FLOOR PLATE		5711144095
30	56413653	2	MOUNT PLATE BUMPER		5711144095
31	56413669	1	SWITCH LIQUID LEVEL		5711144095
32	56413682	1	GASKET SOLUTION LID	for 56413683	5711144160
32	56413683	1	SOLUTION LID ASSEMBLY		5711144095
32	56413683	1	SOLUTION LID ASSEMBLY		5711144095
33	56413811	1	GASKET .62X.62X11.50		5711144096
34	56413839	2	CLAMP HOSE WORM DRIVE		5711144096
35	56342319	1	CLAMP CABLE .375 E00129		5711144066
36	56900292	2	ADAPTER BARB E00039		5711144145
37	1450372000	1	SWITCH	S1	5711144169
37	146 2887 000	1	KEY 2 PCS		5711140046
38	56381105	1	CHEMICAL METERING ASSEMBLY	NOTE 4	5711144170
38	56381105	1	CHEMICAL METERING ASSEMBLY	NOTE 4	5711144170
38	56413862	1	CHEMICAL METERING ASSEMBLY	NOTE 3	5711144096
39	7-69-00008	1	SEAT		5711144178
40	56003603	1	SCR PAN PHILTHDFORM 1/4 20X.38		5711144006
41	56323260	1	CLAMP CABLE		5711144063
42	56109274	1	STRAP		5711144020
43	7-82-00050	1	SWITCH SEAT		5711144181
44	56109300	1	SLIDE KIT NO STUDS		5711144020
45	7-03-04250	1	ARM REST RH ONLY		5711144162
46	56009096	8	WSH FLT .193X.875X.060		5711144008

NOTE 1: Starting in August 2007 Seat Assy 56409021 will no longer be available. If you order part number 56409021 you will automatically receive Seat Assy Kit 56109291. When replacing 56409021 with 56109291 you will also need to order items (40, 41 & 42) above. Machines built after August 2007 will have the new seat assembly as pictured on the left.

NOTE 2: These items are replacement parts for machines built prior to August 2007. If your seat assembly looks like the one pictured on the left these parts are not used on your machine.

NOTE 3: Only used before SN1000038925

NOTE 4: Only used after SN1000038924.

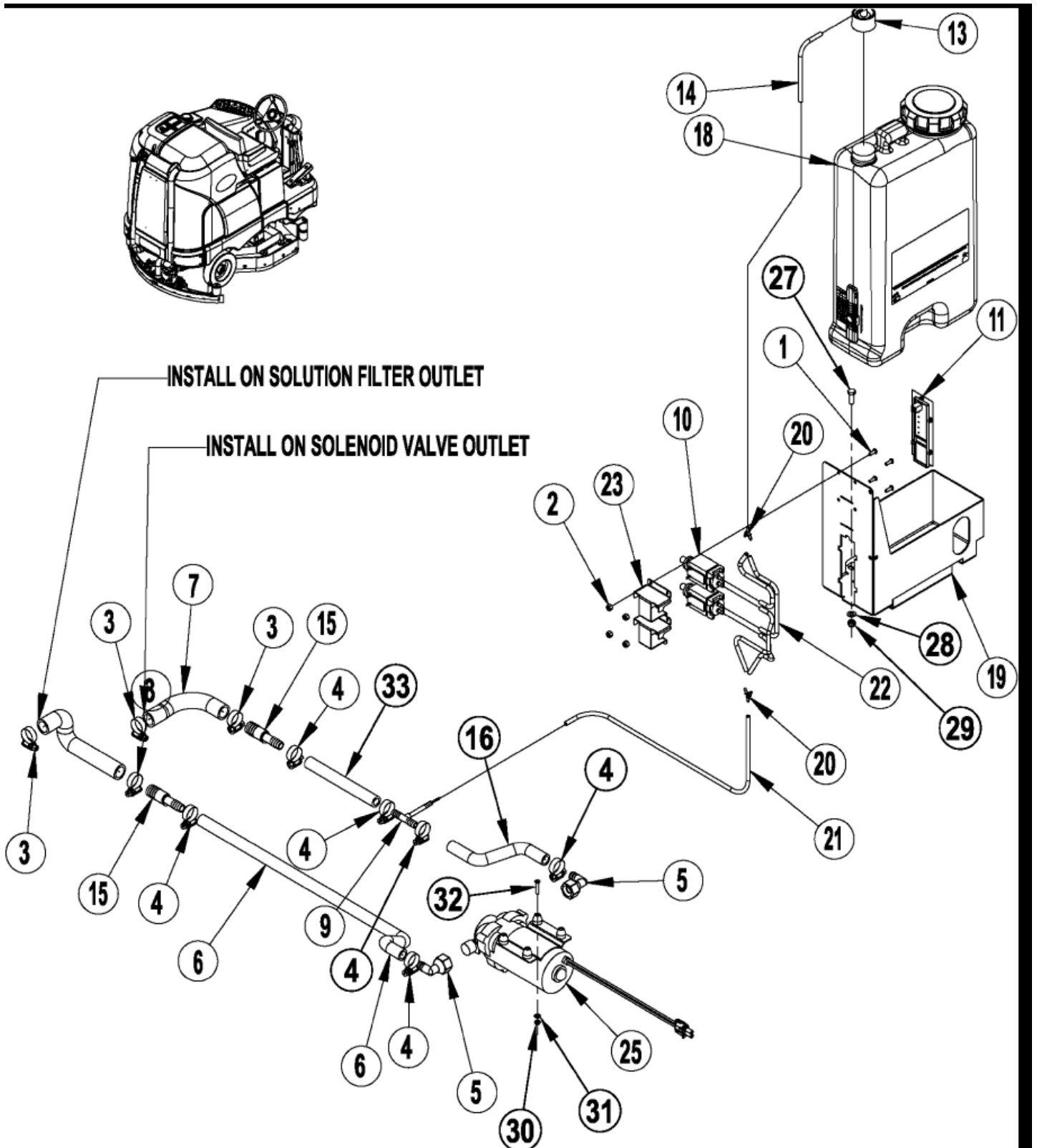
Solution system - chemical metering kit

BR 1100S - 1300S

30-05-2011

Part List ID
BR1100S1300S35

51



Solution system - chemical metering kit

BR 1100S - 1300S

30-05-2011

Part List ID
BR1100S1300S35

52

Pos	Part no.	Qty	Description		EAN
0	56381105	1	CHEMICAL METERING ASSEMBLY	NOTE 4	5711144170
0	56381105	1	CHEMICAL METERING ASSEMBLY	NOTE 4	5711144170
0	56413862	1	CHEMICAL METERING ASSEMBLY	NOTE 3	5711144096
1	56002003	4	SCR PAN PHIL 8 32 X .50		5711144000
2	56002808	4	NUT HEX NYL LOC 8 32		5711144002
3	56112771	4	CLAMP HOSE SAE 10 E00047		5711144028
4	56219932	6	CLAMP HOSE SAE 6 E00047		5711144033
5	56261246	2	ELBOW		5711144035
6	56412275	1	HOSE SOLUTION E00604		5711144092
7	56305762	1	HOSE SPIRAL E00605		5711144049
9	56314983	1	TEE ASSEMBLY		5711144058
10	56314984	2	PUMP DETERGENT	M13 / M16	5711144058
11	56315340	1	CHEMICAL SENSOR ASSEMBLY	A4 - NOTE 3	5711144059
11	56315340	1	CHEMICAL SENSOR ASSEMBLY	A4 - NOTE 3	5711144059
13	56315523	1	CAP DRY BREAK 1/8 BARB		5711144059
14	56315524	1	HOSE CHEMICAL RESISTANT		5711144059
15	56315625	2	BARB COUPLER 3/4 X 1/2		5711144060
16	56262180	1	HOSE SPIRAL .50 x 7 E00604		5711144036
18	56111855	1	CHEM BOTTLE ASSY ECO FLEX	NOTE 4	5711144027
18	56413999	1	CHEM BOTTLE ASSY AXP	NOTE 3	5711144096
19	56413330	1	PLATE MOUNT CHEMICAL METER		5711144094
20	56413691	2	FITTING Y BARB		5711144095
21	56413692	1	HOSE CHEMICAL RESISTANT 21.00		5711144095
22	56413693	4	HOSE CHEMICAL RESISTANT 5.00		5711144095
23	56413775	2	BRACKET PUMP MOUNT		5711144095
25	56413810	1	PUMP 36V	M12 - TSBUS2008-988	5711144096
26	56481452	1	TUBE PVC .750 X 9.5 E00605		5711144124
27	56002507	3	SCR PAN PHIL 1/4 20 X .75		5711144001
28	56002098	3	WSH FLT SAE 1/4		5711144000
29	56002708	3	NUT HEX NYL LOC 1/4 20		5711144002
30	56002768	4	NUT HEX NYL LOC 10 24		5711144002
31	56001954	4	WSH FLT SAE 10		5711144000
32	56002136	4	SCR FLT PHIL 10 24 X 1.25		5711144001
33	56412276	1	HOSE SOLUTION E00604		5711144092
33	56477613	2	CABLE TIE E00549 RE409S	Not shown	5711144123
33	56478246	2	CABLE TIE E00549 RE438BA	NOT SHOWN	5711144124

#NOTE 3: Only used before SN1000038925

#NOTE 4: Only used after SN1000038924.

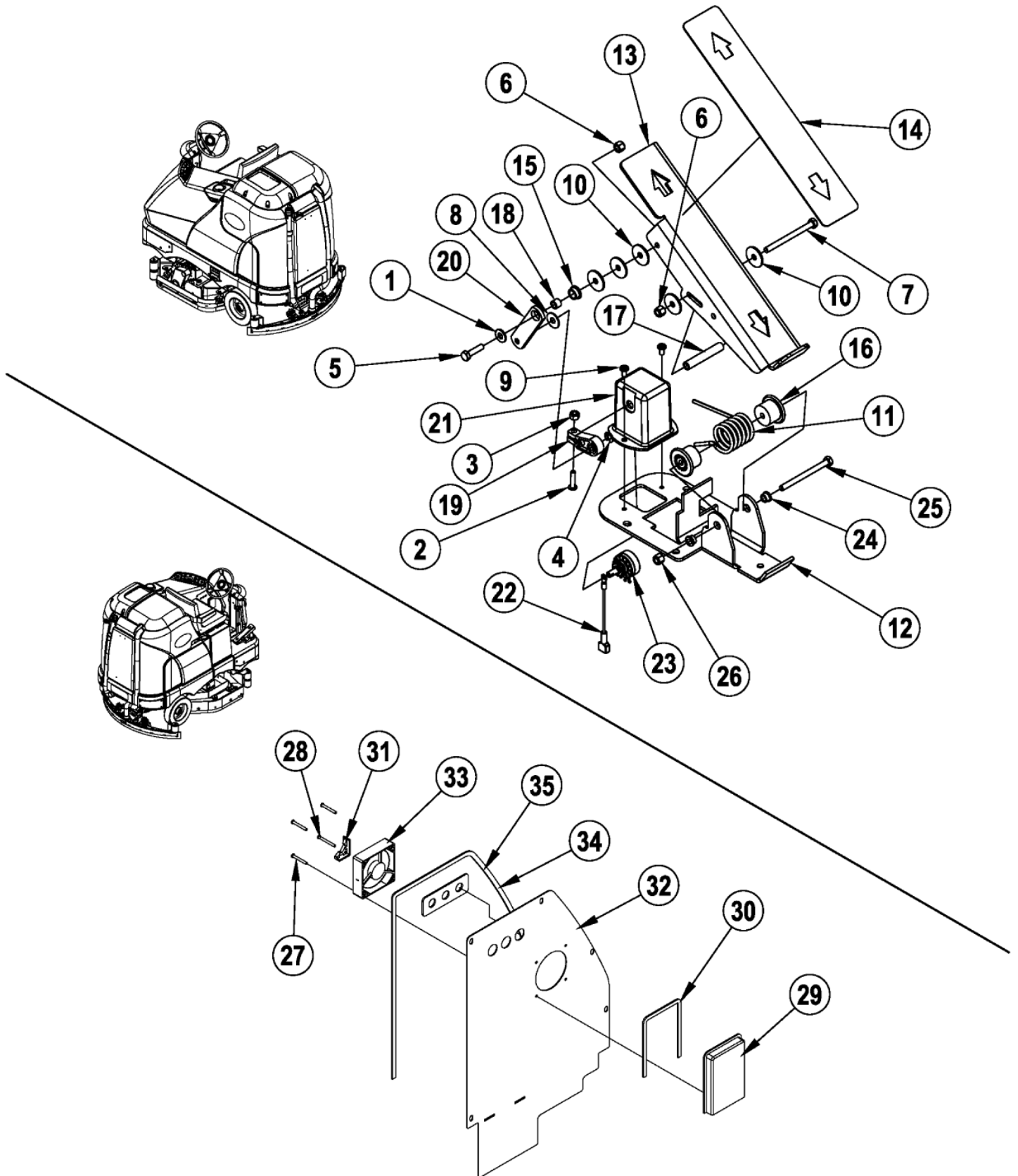
Solution system - drive pedal - electrical panel a

BR 1100S - 1300S

30-05-2011

Part List ID
BR1100S1300S37

53



Solution system - drive pedal - electrical panel a

BR 1100S - 1300S

30-05-2011

Part List ID
BR 1100S1300S37

54

Pos	Part no.	Qty	Description		EAN
0	56413421	1	PEDAL ASSEMBLY	1-26 - TSBUS2008-1001 - not shown	5711144094
0	56413421	1	PEDAL ASSEMBLY	1-26 - TSBUS2008-1001 - not shown	5711144094
0	56413594	1	PANEL ELECT COVER ASSEMBLY	25-35 - not shown	5711144094
0	56413594	1	PANEL ELECT COVER ASSEMBLY	25-35 - not shown	5711144094
1	56002098	1	WSH FLT SAE 1/4		5711144000
2	56002733	1	002733N PHIL 10 24 X .88		5711144002
3	56002768	1	NUT HEX NYL LOC 10 24		5711144002
4	56003268	1	RING RET EXT TYPE E REINF		5711144004
5	56003358	1	SCR HEX M6 X 25.0		5711144005
6	56003403	2	NUT HEX NYL LOC M6 X 1.00		5711144005
7	56003428	1	SCR HEX M6 1.00 X 75MM		5711144005
8	56009025	1	WSH FLT .266X.750X.036		5711144007
9	56009030	2	SCR PAN PHIL THD FOM 10 24X.38		5711144007
10	56009060	5	WSH FLT SS .260X1.000X.074		5711144007
11	56314037	1	SPRING TORSION		5711144053
12		1	NOTE COMMENT	NOTE 1	5701715456
13		1	NOTE COMMENT	NOTE 1	5701715456
14	56314176	1	MAT PEDAL		5711144054
15	56324505	1	BEARING FLANGE.376E00201		5711144064
16	56380438	2	SPACER SPRING		5711144069
17	56380439	1	BUSHING		5711144069
18	56380440	1	BUSHING M6 X .375 X .295		5711144069
19	56409471	1	LEVER THROTTLE		5711144084
20	56409610	1	LINK WLDMT.		5711144085
21	56412094	1	HOUSING POTENTIOMETER		5711144091
22	56412331	1	WIRE ASSY 14 AWG RED		5711144092
23	56454740	1	POTENTIOMETER 5K	R1	5711144110
24	56756318	2	BEARING FLANGE .250 E00201		5711144144
25	56002603	1	SCR HEX 1/4 20 X 3.00		5711144001
26	56002708	1	NUT HEX NYL LOC 1/4 20		5711144002
27	56003199	3	SCR PAN PHIL PLASTITE 8 15X1.5		5711144004
28	56003635	1	SCR PAN PHIL PLASTIT 8 16X1.75		5711144006
29	56314590	1	COVER FAN		5711144056
30	56314594	1	GASKET		5711144056
31	56314595	1	BOARD HOLDER		5711144056
32	56413170	1	COVER ELECTRICAL		5711144093
33	56413597	1	FAN ASSEMBLY	M14	5711144094
34	56413625	1	GASKET		5711144095
34	56413625	1	GASKET		5711144095
35	56413626	1	GASKET CIRCUIT BREAKER		5711144095

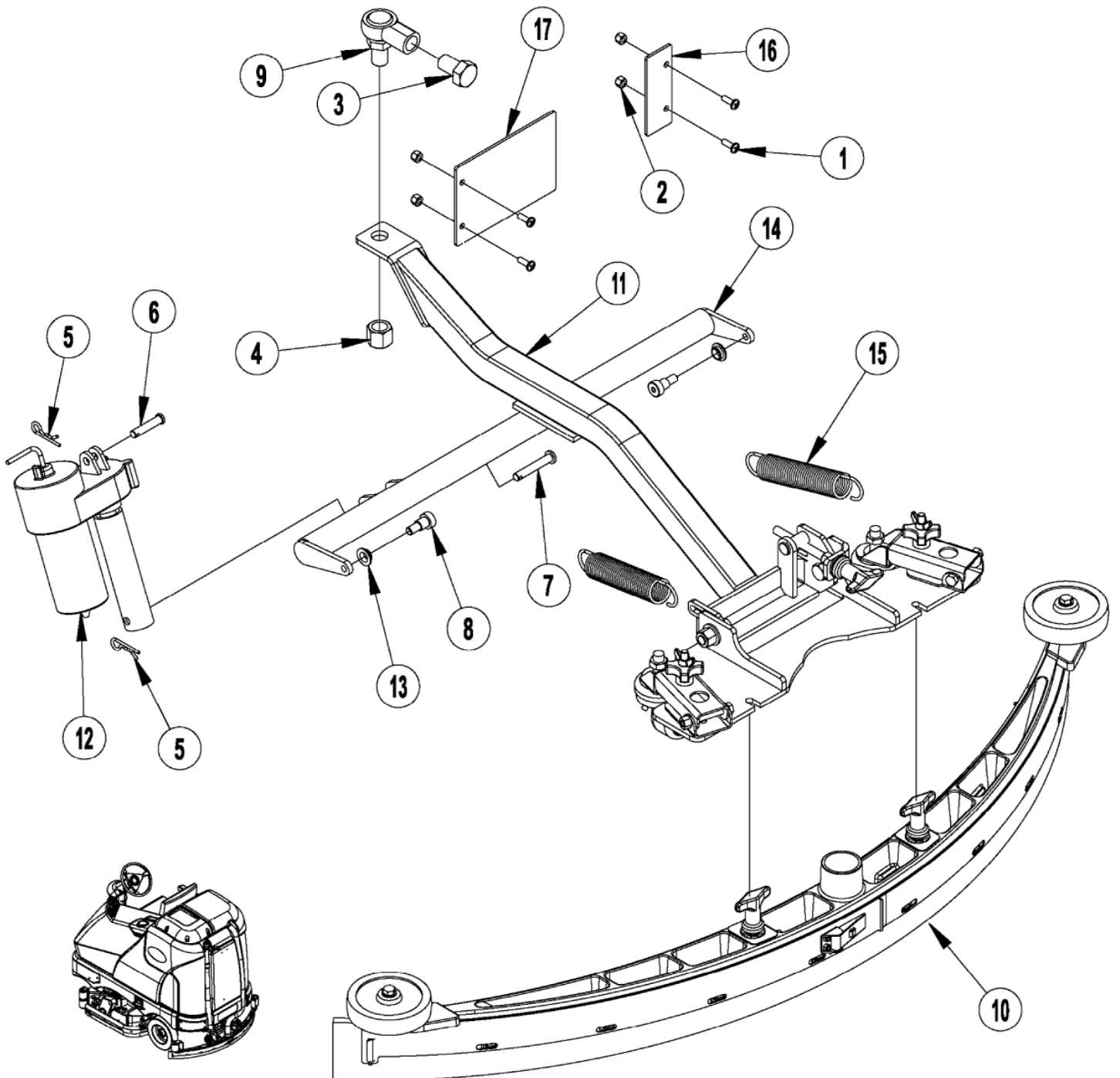
Squeegee system 1

BR 1100S - 1300S

30-05-2011

Part List ID
BR1100S1300S38

55



Squeegee system 1

BR 1100S - 1300S

30-05-2011

Part List ID
BR1100S1300S38

56

Pos	Part no.	Qty	Description		EAN
1	56002507	4	SCR PAN PHIL 1/4 20 X .75		5711144001
2	56002708	4	NUT HEX NYL LOC 1/4 20		5711144002
3	56002739	1	SCR HEX 3/4 16 X 1.25 GR 8		5711144002
4	56009083	1	NUT HEX JAM 3/4 16		5711144008
5	56003222	2	PIN COT HAIR .125 X DIA.50/.75		5711144004
6	56003597	1	PIN CLEVIS .375 X 1.75		5711144006
7	56003656	1	CLEVIS PIN .375 X 2.25		5711144006
8	56003682	2	SCR SOC HD SHD .50X.50X3/8 16		5711144006
9	56380431	1	ROD END	TSBUS2008-987	5711144069
10	56413038	1	SQUEEGEE ASSEMBLY F	BR 1100SC	5711144093
10	56413038	1	SQUEEGEE ASSEMBLY F	BR 1100SC	5711144093
10	56413641	1	SQUEEGEE ASSEMBLY H	BR 1300S	5711144095
10	56413641	1	SQUEEGEE ASSEMBLY H	BR 1300S	5711144095
10	56413739	1	SQUEEG ASSEMBLY F GUM RUBBER	BR 1100S	5711144095
10	56413739	1	SQUEEG ASSEMBLY F GUM RUBBER	BR 1100S	5711144095
11	56413110	1	SQUEEGEE ARM ASSEMBLY		5711144093
12	56413111	1	ACTUATOR 36V	M3	5711144093
13	56413211	2	BEARING FLANGE .625X.500X.250		5711144093
14	56413429	1	SQUEEGEE LIFT ARM WELDMENT		5711144094
15	56412216	2	SPRING EXTENSION		5711144092
16	56413776	1	STOP PLATE SMALL	BR 1100S	5711144095
17	56413777	2	STOP PLATE MEDIUM	BR 1300S	5711144095
17	56413778	1	STOP PLATE LARGE	BR 1100S	5711144095

Squeegee system 2

BR 1100S - 1300S

30-05-2011

Part List ID
BR1100S1300S39

57

BR 1100S

F

F

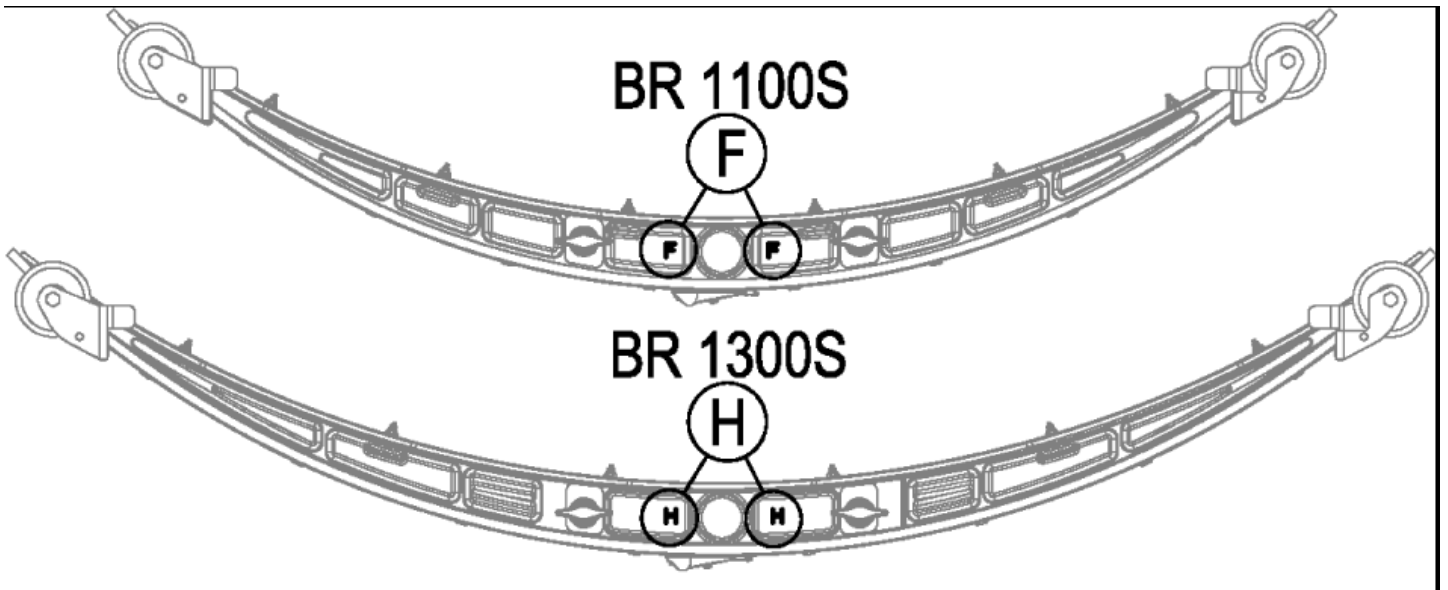
F

BR 1300S

H

H

H



Squeegee system 2

BR 1100S - 1300S

30-05-2011

Part List ID
BR1100S1300S39

58

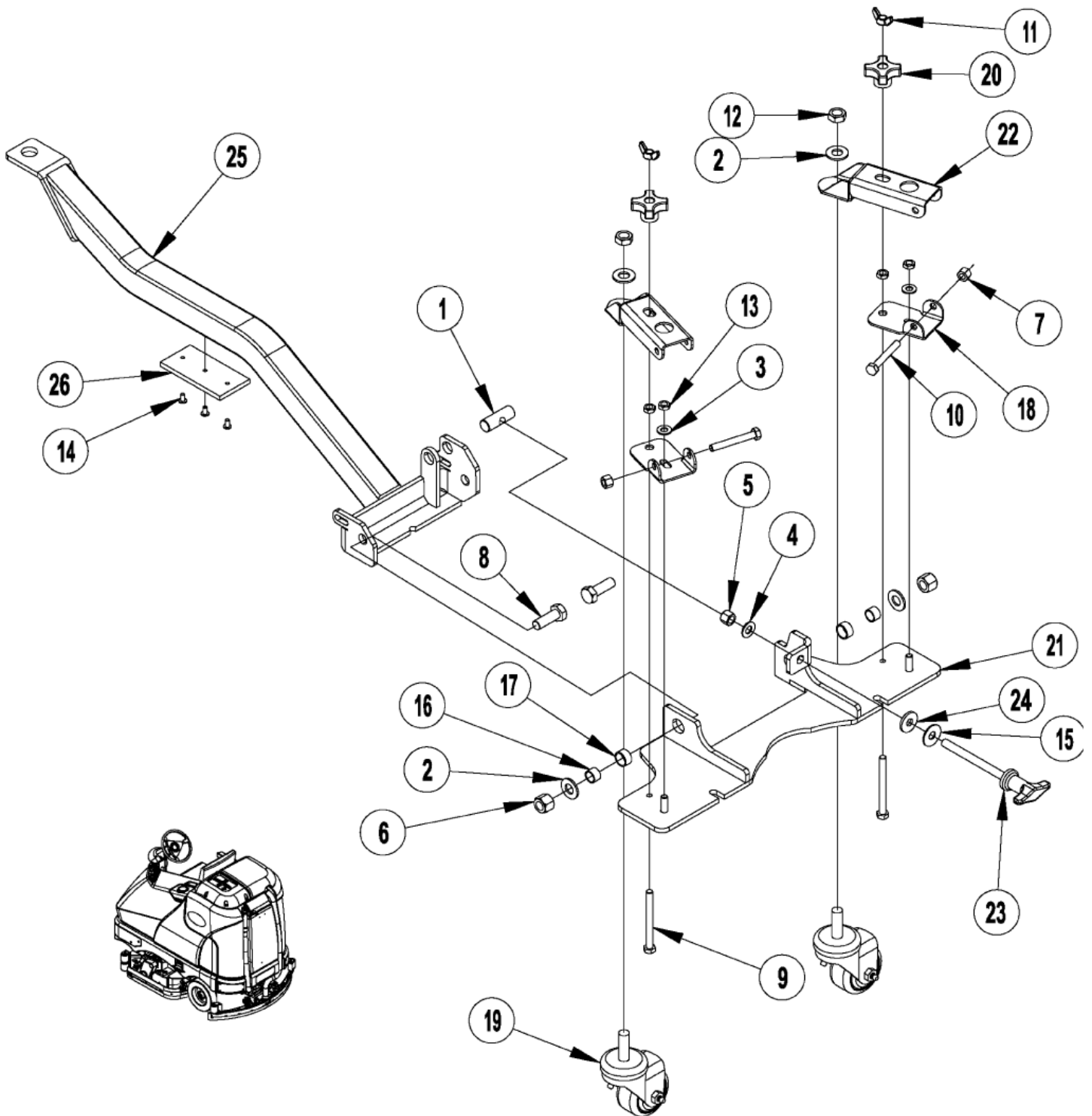
Squeegee system - squeegee arm assembly

BR 1100S - 1300S

30-05-2011

Part List ID
BR1100S1300S41

59



Squeegee system - squeegee arm assembly

BR 1100S - 1300S

30-05-2011

Part List ID
BR1100S1300S41

60

Pos	Part no.	Qty	Description	EAN
	56413110	1	SQUEEGEE ARM ASSEMBLY	5711144093
1	56324369	1	PIN	5711144064
2	56001879	4	WSH FLT SAE 1/2	5711144000
3	56001939	2	WSH FLT SAE 5/16	5711144000
4	56002063	1	WSH FLT SAE 3/8	5711144000
5	56002769	1	NUT HEX NYL LOC 3/8 16	5711144002
6	56003312	2	NUT HEX NYL LOC M12 1.75	5711144005
7	56003405	2	NUT HEX NYL LOC SS M8X1.25	5711144005
8	56003415	2	SCR HEX THD TO HDM12 1.75X35MM	5711144005
9	56003463	2	SCR HEX TO HD SS 5/16 18X3.25	5711144005
10	56003464	2	SCR HEX SS M8 1.25 X 60MM	5711144005
11	56003465	2	NUT WING SS 5/16 18	5711144005
12	56009016	2	NUT HEX JAM 1/2 13	5711144007
13	56009086	4	NUT HEX JAM 5/16 18	5711144008
14	56009139	3	SCR PAN PHIL LOC 10 24X.38	5711144008
15	56151068	1	WSH FLT FIBRE ..406G31E	5711144028
16	56360627	2	BUSHING .50X.62X.41CT32G	5711144066
17	56370878	2	BEARING SLEEVE .627CV213FE0202	5711144067
18	56407302	2	BRACKET	5711144082
19	56407344	2	CASTER	5711144082
20	56407510	2	KNOB	5711144083
21	56413264	1	SQUEEGEE MOUNT WELDMENT	TSBUS2007-969 5711144093
22	56413517	2	BRACKET	5711144094
23	56413576	1	KNOB	5711144094
24	56413599	1	WASHER RUBBER	5711144094
25	56413640	1	SQUEEGEE ARM WELDMENT	5711144095
26	56413742	1	WEAR PAD SQUEEGEE ARM	5711144095

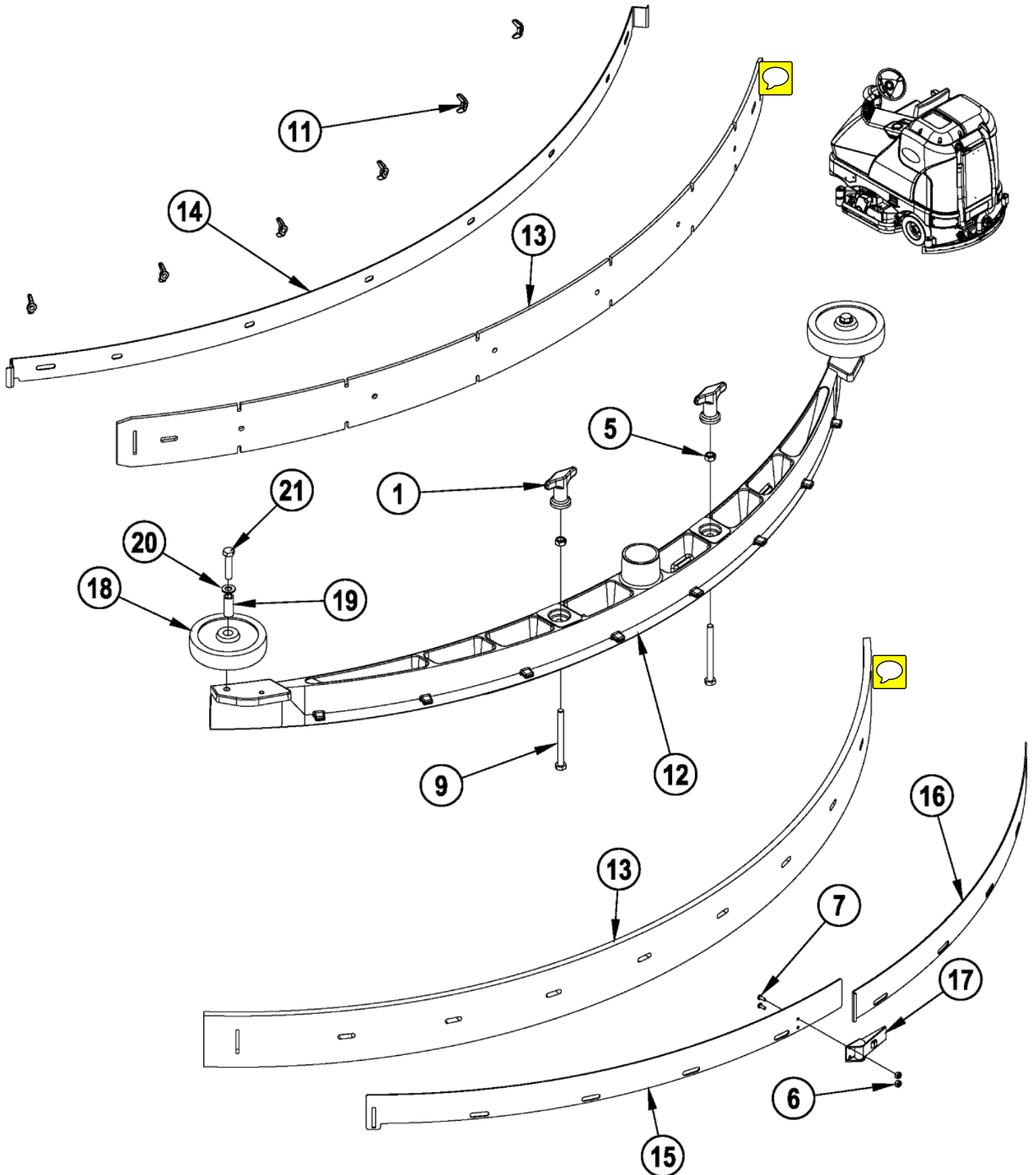
Squeegee system - squeegee assembly F BR1100S

BR 1100S - 1300S

30-05-2011

Part List ID
BR1100S1300S43

61



Squeegee system - squeegee assembly F BR1100S

BR 1100S - 1300S

30-05-2011

Part List ID
BR1100S1300S43

62

Pos	Part no.	Qty	Description		EAN
	56413038	1	SQUEEGEE ASSEMBLY F	BR 1100S C	5711144093
	56413038	1	SQUEEGEE ASSEMBLY F	BR 1100S C	5711144093
	56413739	1	SQUEEG ASSEMBLY F GUM RUBBER	BR 1100S	5711144095
	56413739	1	SQUEEG ASSEMBLY F GUM RUBBER	BR 1100S	5711144095
1	56370711	2	NUT THUMB		5711144067
5	56002851	2	NUT HEX NYL LOC THIN SS5/16 18		5711144002
6	56002907	2	NUT HEX NYL LOC SS 6 32		5711144003
7	56002909	2	SCR PAN PHIL SS 6 32 X .38		5711144003
9	56003481	2	HEX THD TO HD SS 5/16 18X3.50		5711144005
11	56009111	6	NUT WING S.S. 1/4 20		5711144008
12	56413037	1	SQUEEGEE CAST F		5711144093
13	56413745	1	BLADE KIT SQUEEGEE PU F	OPTIONAL	5711144095
13	56413745	1	BLADE KIT SQUEEGEE PU F	OPTIONAL	5711144095
13	56413761	1	BLADE KIT SQUEEGEE GUM F	USED ON 56413739	5711144095
13	56413762	1	BLADE KIT SQGEE RED GUM F	USED ON 56413038	5711144095
14	56109614	1	STRAP FRONT F		5711144021
15	56109615	1	STRAP REAR F		5711144021
16	56413329	1	STRAP REAR F		5711144094
17	56471194	1	LATCH ASSY RE32		5711144123
18	56111639	2	WHEEL 4.00 DIA.		5711144026
19	56109581	2	BUSHING		5711144021
20	56001939	2	WSH FLT SAE 5/16		5711144000
21	56003437	2	SCR HEX SS M8 1.25X40MM		5711144005

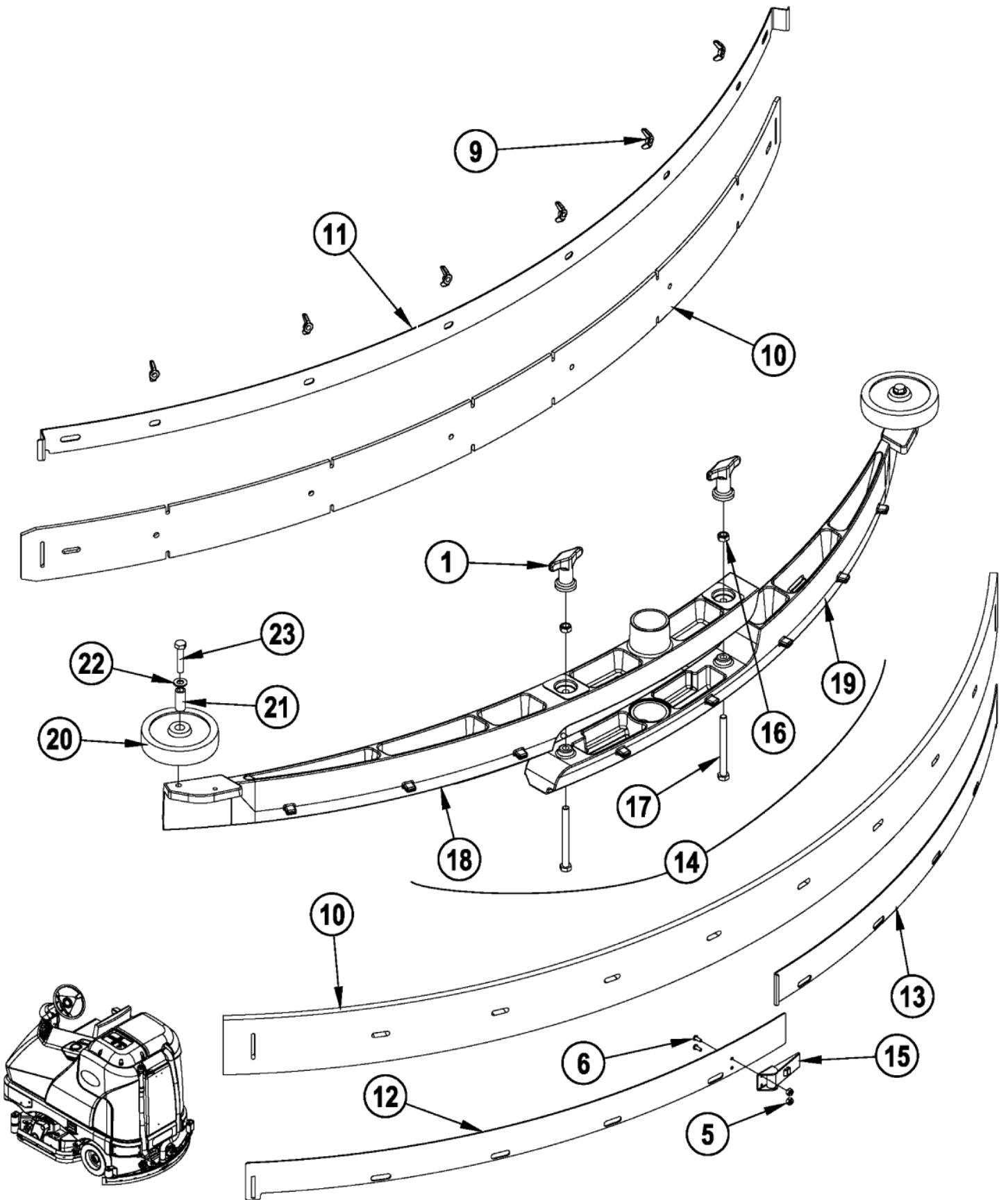
Squeegee system - squeegee assembly H BR1300S

BR 1100S - 1300S

30-05-2011

Part List ID
BR1100S1300S45

63



Squeegee system - squeegee assembly H BR1300S

BR 1100S - 1300S

30-05-2011

Part List ID
BR1100S1300S45

64

Pos	Part no.	Qty	Description		EAN
	56413641	1	SQUEEGEE ASSEMBLY H	BR 1300S	5711144095
	56413641	1	SQUEEGEE ASSEMBLY H	BR 1300S	5711144095
1	56370711	2	NUT THUMB		5711144067
5	56002907	2	NUT HEX NYL LOC SS 6 32		5711144003
6	56002909	2	SCR PAN PHIL SS 6 32 X .38		5711144003
9	56009111	6	NUT WING S.S. 1/4 20		5711144008
10	56413747	1	BLADE KIT SQUEEGEE PU H	OPTIONAL	5711144095
10	56413765	1	BLADE KIT SQUEEGEE GUM H	OPTIONAL	5711144095
10	56413766	1	KIT LINA TEX SQUEEGEE BLADE H		5711144095
11	56109620	1	STRAP FRONT H		5711144021
11	56109620	1	STRAP FRONT H		5711144021
12	56109621	1	STRAP REAR H		5711144021
13	56109677	1	STRAP REAR H		5711144022
14	56413679	1	SQUEEGEE CAST ASSY H	16-19	5711144095
14	56413679	1	SQUEEGEE CAST ASSY H	16-19	5711144095
15	56471194	1	LATCH ASSY RE32		5711144123
16	56002851	2	NUT HEX NYL LOC THIN SS5/16 18		5711144002
17	56003481	2	HEX THD TO HD SS 5/16 18X3.50		5711144005
18	56413645	1	SQUEEGEE CAST TOP H		5711144095
19	56413644	1	SQUEEGEE CAST BOTTOM H		5711144095
20	56111639	2	WHEEL 4.00 DIA.		5711144026
21	56109581	2	BUSHING		5711144021
22	56001939	2	WSH FLT SAE 5/16		5711144000
23	56003437	2	SCR HEX SS M8 1.25X40MM		5711144005

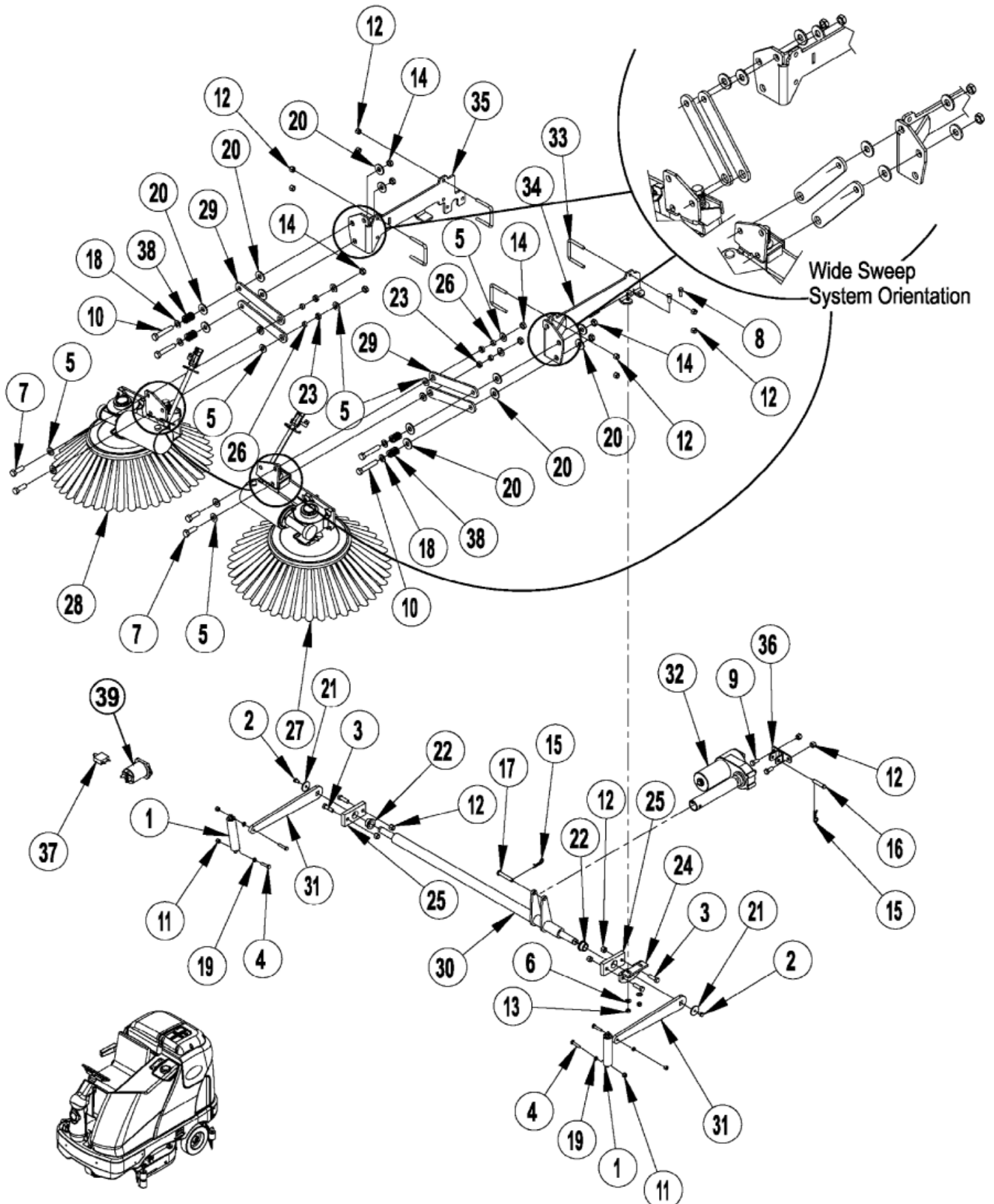
Sweep system

BR 1100S - 1300S

30-05-2011

Part List ID
BR1100S1300S47

65



Sweep system

BR 1100S - 1300S

30-05-2011

Part List ID
BR1100S1300S47

66

Pos	Part no.	Qty	Description	EAN
1	56407335	2	CHAIN ASSEMBLY	5711144082
1	56407335	2	CHAIN ASSEMBLY	5711144082
2	56001854	2	SCR HEX 1/4 20 X .50	5711144000
3	56001858	4	SCR HEX 3/8 16 X 1.25	5711144000
4	56001878	4	SCR HEX 1/4 20 X 1.25	5711144000
5	56001879	12	WSH FLT SAE 1/2	5711144000
6	56001939	2	WSH FLT SAE 5/16	5711144000
7	56001968	4	SCR HEX 1/2 13 X 1.50	5711144000
8	56002037	2	SCR HEX 5/16 18 X .88	5711144000
9	56002271	2	SCR HEX 3/8 16 X .88	5711144001
10	56002680	4	SCR HEX 1/2 13 X 2.75	5711144002
11	56002708	4	NUT HEX NYL LOC 1/4 20	5711144002
12	56002769	14	NUT HEX NYL LOC 3/8 16	5711144002
13	56002826	2	NUT HEX NYL LOC THIN 5/16 18	5711144002
14	56002843	8	NUT HEX NYL LOC THIN 1/2 13	5711144002
15	56003222	2	PIN COT HAIR .125 X DIA.50/.75	5711144004
16	56003597	1	PIN CLEVIS .375 X 1.75	5711144006
17	56003656	1	CLEVIS PIN .375 X 2.25	5711144006
18	56009017	4	WSH FLT HDN .516X.938X.075	5711144007
19	56009087	4	NUT HEX JAM 1/4 20	5711144008
20	56009115	12	WSH FLT HDN .594X1.375X.134	5711144008
21	56009199	2	WSH FLT BRASS .266X1.250X.125	5711144008
22	56303071	2	BEARING FLANGE	5711144041
22	56303071	2	BEARING FLANGE	5711144041
23	56304893	4	BEARING SLEEVE .625X.750X..25	5711144045
24	56305080	1	BRACKET SIDE BROOM LIFT	5711144046
25	56305091	2	640LOW BLOCK	5711144046
26	56365030	4	BUSHING CA334D	5711144066
27	56413039	1	LEFT SIDE BROOM ASSEMBLY	5711144093
27	56413039	1	LEFT SIDE BROOM ASSEMBLY	5711144093
28	56413040	1	RIGHT SIDE BROOM ASSEMBLY	5711144093
29	56413048	4	LINK	5711144093
30	56413053	1	SIDE BROOM LIFT ARM WELDMENT	5711144093
31	56413055	2	LIFT ARM	5711144093
32	56413129	1	ACTUATOR MOTOR 36V	M4 5711144093
33	56413403	4	CLAMP WIDE	5711144094
34	56413453	1	SIDE BROOM BRKT WLDMT LT	5711144094
35	56413454	1	SIDE BROOM BRKT WLDMT RT	5711144094
36	56413479	1	ACTUATOR MOUNT WLDT	5711144094
37	56413822	1	CIRCUIT BREAKER 20 AMP	5711144096
38	56416508	4	SPRING DIE	5711144098
39	56413516	1	CONTACTOR 36VDC 200A	K6 - TSBUS2008-996 5711144094

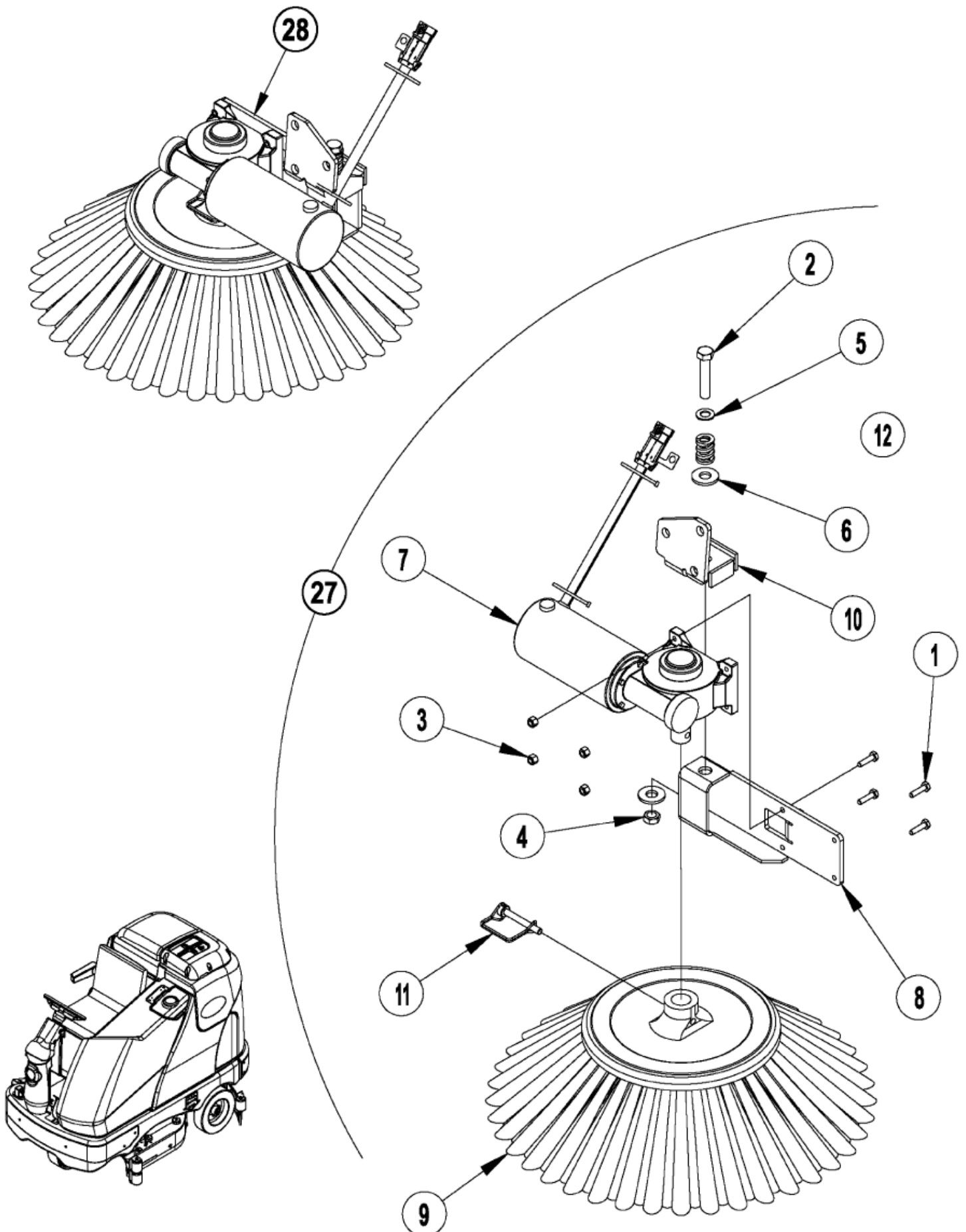
Sweep system - side broom assemblies

BR 1100S - 1300S

30-05-2011

Part List ID
BR1100S1300S49

67



Sweep system - side broom assemblies

BR 1100S - 1300S

30-05-2011

Part List ID
BR1100S1300S49

68

Pos	Part no.	Qty	Description		EAN
1	56002093	4	SCR HEX 1/4 20 X 1.00		5711144000
2	56002533	1	SCR HEX 1/2 13 X 2.50		5711144001
3	56002708	4	NUT HEX NYL LOC 1/4 20		5711144002
4	56002843	1	NUT HEX NYL LOC THIN 1/2 13		5711144002
5	56009017	1	WSH FLT HDN .516X.938X.075		5711144007
6	56009115	2	WSH FLT HDN .594X1.375X.134		5711144008
7	52803A	2	BRUSH CARBON	for 56413695 / 56413696	5711143040
7	56413695	1	GEAR MOTOR ASSEMBLY 36VDC	LEFT-56413039 / M7	5711144095
7	56413696	1	GEAR MOTOR ASSEMBLY 36VDC	RIGHT-56413040 / M8	5711144095
8	56413051	1	SIDE BROOM BRACKET WLDT LT	56413039	5711144093
8	56413062	1	SIDE BROOM BRACKET WLDT RT	56413040	5711144093
9	56380335	1	SIDEBROOM	COMMERCIAL OPTION	5711144069
9	56413056	1	SIDE BROOM	STANDARD	5711144093
10	56413142	1	SIDE BROOM SPRING MT WLDT LT	56413039	5711144093
10	56413143	1	SIDE BROOM SPRING MT WLDMT RT	56413040	5711144093
11	56413845	1	PIN .31 WITH RETAINER		5711144096
12	56416508	1	SPRING DIE		5711144098
27	56413039	1	LEFT SIDE BROOM ASSEMBLY	PAGE 44	5711144093
27	56413039	1	LEFT SIDE BROOM ASSEMBLY	PAGE 44	5711144093
28	56413040	1	RIGHT SIDE BROOM ASSEMBLY	PAGE 44	5711144093

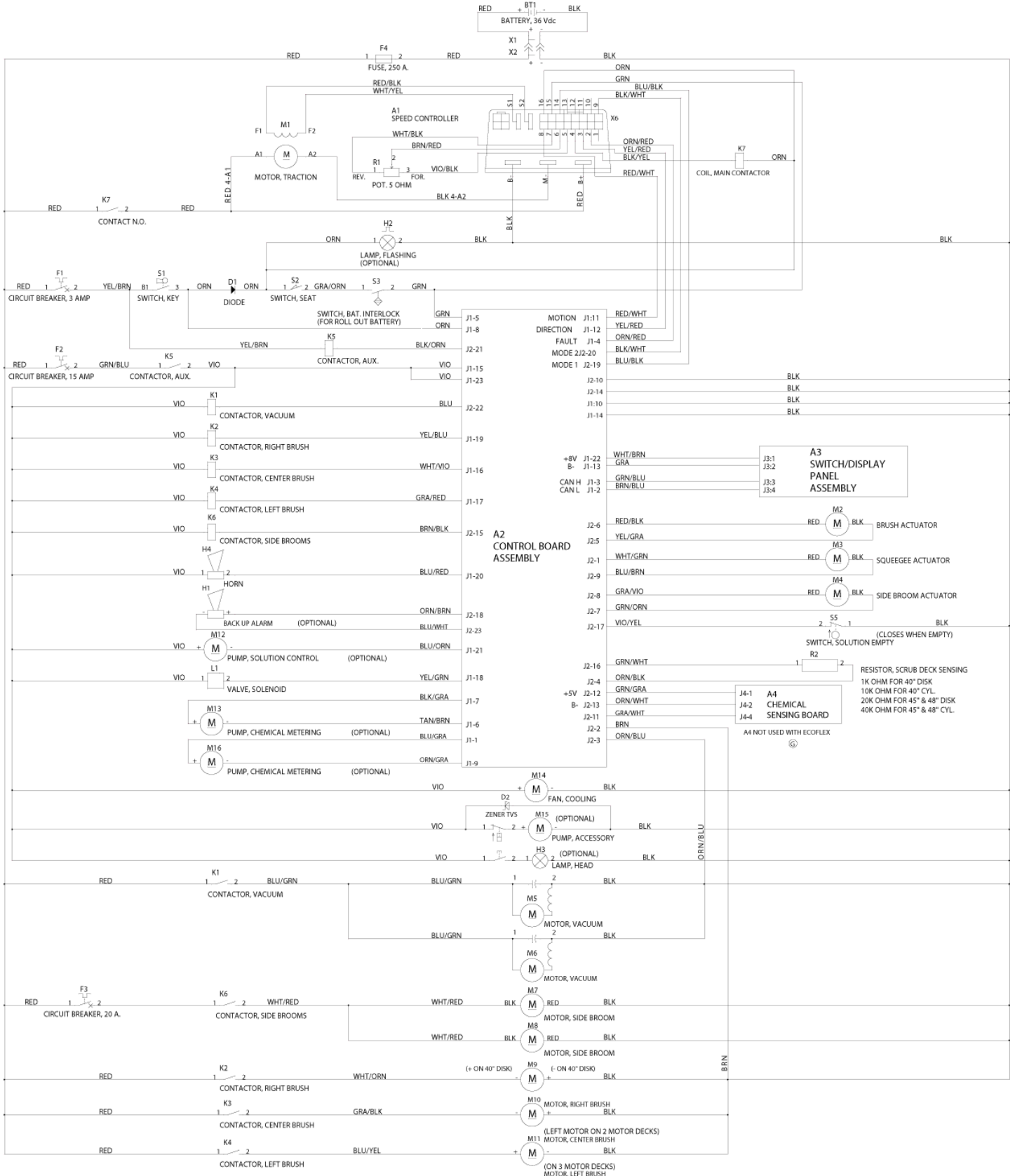
Wiring diagram

BR 1100S - 1300S

30-05-2011

Part List ID
BR1100S1300S51

69



Wiring diagram

BR 1100S - 1300S

30-05-2011

Part List ID
BR1100S1300S51

70

Pos	Part no.	Qty	Description		EAN
A1	56413041	1	CONTROLLER 36VDC		5711144093
A2	56381049	1	MAIN PCB BOX ASSY	NOTE 2	5711144070
A2	56413483	1	MAIN PCB BOX ASSEMBLY	NOTE 1	5711144094
A3	56381083	1	CONTROL PANEL ASSY	NOTE 2	5711144070
A3	56413157	1	TOUCH PAD ASSEMBLY	NOTE 1	5711144093
A4	56315340	1	CHEMICAL SENSOR ASSEMBLY	NOTE 3	5711144059
A4	56315340	1	CHEMICAL SENSOR ASSEMBLY	NOTE 3	5711144059
D2		1	NOTE COMMENT	PART OF M15	5701715456
F1	56413406	1	CIRCUIT BREAKER 3.0 AMP	CONTROL CIRCUIT	5711144094
F2	56413407	1	CIRCUIT BREAKER 15 AMP	AUXILIARY CIRCUIT	5711144094
F3	56413822	1	CIRCUIT BREAKER 20 AMP	SIDE BROOMS	5711144096
F4	56410044	1	FUSE 250 AMP		5711144086
H1	56412177	1	HORN BACKUP ALARM	OPTIONAL	5711144091
H2	56305223	1	BEACON WARNING	OPTIONAL	5711144047
H3	56409239	1	HEADLIGHT	OPTIONAL	5711144084
H4	56482365	1	HORN 36V		5711144125
K1	56413516	1	CONTACTOR 36VDC 200A		5711144094
K2	56413516	1	CONTACTOR 36VDC 200A	ALL MODELS - TSBUS2008-1020	5711144094
K3	56413516	1	CONTACTOR 36VDC 200A	BR 1300S DISK AND ALL CYLINDRICAL	5711144094
K4	56413516	1	CONTACTOR 36VDC 200A	BR 1300S DISK ONLY	5711144094
K5	56413516	1	CONTACTOR 36VDC 200A		5711144094
K6	56413516	1	CONTACTOR 36VDC 200A		5711144094
K7	56413516	1	CONTACTOR 36VDC 200A	TSBUS2008-1020	5711144094
L1	56413510	1	SOLENOID VALVE ASSEMBLY		5711144094
L1	56413510	1	SOLENOID VALVE ASSEMBLY		5711144094
M1	56413615	1	MOTOR TRACTION		5711144095
M1	56413616	1	BRUSH SET of 4 MOTOR	Not shown	5711144095
M2	56413700	1	ACTUATOR		5711144095
M3	56413111	1	ACTUATOR 36V		5711144093
M4	56413129	1	ACTUATOR MOTOR 36V		5711144093
M5	56212223	1	CARBON BRUSH SET	Not shown	5711144033
M5	56410065	1	VAC MOTOR ASSY		5711144086
M6	56212223	1	CARBON BRUSH SET	Not shown	5711144033
M6	56410065	1	VAC MOTOR ASSY	OPTIONAL	5711144086
M7	52803A	2	BRUSH CARBON	FOR 56413695 - not shown	5711143040
M7	56413695	1	GEAR MOTOR ASSEMBLY 36VDC	LEFT-CYLINDRICAL MODELS ONLY	5711144095
M8	52803A	2	BRUSH CARBON	FOR 56413696 - not shown	5711143040
M8	56413696	1	GEAR MOTOR ASSEMBLY 36VDC	RIGHT-CYLINDRICAL MODELS ONLY	5711144095
M9	56303083	1	GEARMOTOR ASSEMBLY	BR 1300S DISK RIGHT MOTOR	5711144041
M9	56303419	4	BRUSH CARBON	FOR 56303083 - not shown	5711144042
M9	56303444	4	SPRING BRUSH	FOR 56303083 - not shown	5711144042

NOTE 1: Used on machines built before SN 1000038925.

NOTE 2: Used on machines built after SN 1000038924.

NOTE 3: Brush motor 56413398 is no longer used in production and replaced by 56380617.

Wiring diagram

BR 1100S - 1300S

30-05-2011

Part List ID
BR1100S1300S51

71

Pos	Part no.	Qty	Description		EAN
M9	56380617	1	MOTOR AMER TENV 36VDC 1.5HP	(all cylindrical right motor) NOTE 3	5711144170
M9	56381479	1	KIT BRUSH AMER MOTOR	(for 56380617)	5711144165
M9	56389395	1	BRUSH SPRING/SET 4	FOR 56413336 - not shown	5711144072
M9	56407500	1	BRUSH ASSEMBLY KIT	FOR 56413336 - not shown	5711144083
M9	56410182	1	BEARING B.E.	FOR 56413336 - not shown	5711144087
M9	56410183	1	BEARING F.E.	FOR 56413336 - not shown	5711144087
M9	56412266	1	BRUSH BOARD ASSY	FOR 56413336 - not shown	5711144092
M9	56413336	1	GEARBOX ASSEMBLY 20	BR 1100S DISK	5711144094
M9		1	MOTOR 36VDC 1.5 HP	ALL CYLINDRICAL RIGHT MOTOR	5711144094
M9	56413628	1	BRUSH AND SPRING KIT MOTOR	FOR 56413398 - not shown	5711144095
R1	56454740	1	POTENTIOMETER 5K		5711144110
R2	56413390	1	RESISTOR ASM 1K OHM	BR 1100S DISK	5711144094
R2	56413391	1	RESISTOR ASM 40K OHM	BR 1300S C CYLINDRICAL - not shown	5711144094
R2	56413392	1	RESISTOR ASM 20K OHM	BR 1300S DISK - not shown	5711144094
R2	56413393	1	RESISTOR ASM 10K OHM	BR 1100S C CYLINDRICAL - not shown	5711144094
S1	1450372000	1	SWITCH		5711144169
S2	56409613	1	SWITCH SEAT		5711144085
S3	56305053	1	SENSOR PROXIMITY	OPTIONAL	5711144045
S5	56413669	1	SWITCH LIQUID LEVEL		5711144095
M10	56303083	1	GEARMOTOR ASSEMBLY	BR 1300S DISK CENTER MOTOR	5711144041
M10	56303419	4	BRUSH CARBON	FOR 56303083 - not shown	5711144042
M10	56303444	4	SPRING BRUSH	FOR 56303083 - not shown	5711144042
M10	56380617	1	MOTOR AMER TENV 36VDC 1.5HP	(all cylindrical right motor) NOTE 3	5711144170
M10	56381479	1	KIT BRUSH AMER MOTOR	(for 56380617)	5711144165
M10		1	MOTOR 36VDC 1.5 HP	ALL CYLINDRICAL LEFT MOTOR	5711144094
M10	56413628	1	BRUSH AND SPRING KIT MOTOR	FOR 56413398 - not shown	5711144095
M11	56303083	1	GEARMOTOR ASSEMBLY	BR 1300S DISK LEFT MOTOR	5711144041
M11	56303419	4	BRUSH CARBON	FOR 56303083 - not shown	5711144042
M11	56303444	4	SPRING BRUSH	FOR 56303083 - not shown	5711144042
M12	56413810	1	PUMP 36V	(EDS / ECOFLEX) TSBUS2008-988	5711144096
M13	56314984	1	PUMP DETERGENT	(EDS / ECOFLEX)	5711144058
M14	56413597	1	FAN ASSEMBLY		5711144094
M15	56109587	1	PUMP HEAD ASSY	FOR 56212014 - optional	5711144021
M15	56109588	1	CHECK VALVE ASSY	FOR 56212014 - optional	5711144021
M15	56212014	1	PUMP DC 36V BY PASS	OPTIONAL	5711144032
M16	56314984	1	PUMP DETERGENT	(EDS / ECOFLEX)	5711144058

NOTE 1: Used on machines built before SN 1000038925.

NOTE 2: Used on machines built after SN 1000038924.

NOTE 3: Brush motor 56413398 is no longer used in production and replaced by 56380617.

Optional kits and accessories 1

BR 1100S - 1300S

30-05-2011

Part List ID
BR1100S1300S52

72

No Drawing For Part List

Optional kits and accessories 1

BR 1100S - 1300S

30-05-2011

Part List ID
BR1100S1300S52

73

Pos	Part no.	Qty	Description	EAN
1	56413740	1	KIT BATTERY TRAY	5711144095
1	56413740	1	KIT BATTERY TRAY	5711144095
2	56413821	1	KIT VACUUM MOTOR	5711144096
			2ND VAC MOTOR	
3	56413089	1	BUMPER FRONT HEAVY KIT	5711144093
4	56413870	1	KIT WEIGHTED BUMPER EUROPEAN	5711144096
4	56413870	1	KIT WEIGHTED BUMPER EUROPEAN	5711144096
5	56413764	1	KIT GRAMMER SEAT W/SWITCH	5711144095
6	56413687	1	KIT SPRAY WAND	5711144095
7	56413649	1	BEACON KIT	5711144095
8	56413681	1	BACKUP ALARM KIT	5711144095
8	56413681	1	BACKUP ALARM KIT	5711144095
9	56413774	1	OVERHEAD GUARD KIT	5711144095
10	56109306	1	SEAT BELT KIT	5711144020
			NOTE 2	
11	56314313	1	HEADLIGHT KIT	5711144054
12	56413773	1	KIT FOOT GUARD	5711144095
13	56413685	1	KIT SOLUTION AUTO FILL	5711144095
14	56303386	1	DISCONNECT BATTERY BRACKET KIT	5711144042
14	56303386	1	DISCONNECT BATTERY BRACKET KIT	5711144042
15	56303429	1	CART BATTERY EXCHANGE	5711144042
16	56303430	1	RACK BATTERY STORAGE	5711144042
17		1	KIT FLOOR MAT	5711144170
18	56413804	1	40 CYL SCRUB KIT	5711144096
			BR 1100SC	
18	56413804	1	40 CYL SCRUB KIT	5711144096
			BR 1100SC	
19	56413809	1	BR1100S SCRUB KIT	5711144096
			BR 1100S	
20	56413808	1	48 CYL SCRUB KIT	5711144096
			BR 1300SC	
20	56413808	1	48 CYL SCRUB KIT	5711144096
			BR 1300SC	
21	56413807	1	48 DISK SCRUB KIT	5711144096
			BR 1300S	
21	56413807	1	48 DISK SCRUB KIT	5711144096
			BR 1300S	
22	56381108	1	CHEMICAL METERING KIT EU ECOFL	5711144147
			(only used after SN1000038924)	
30	56505790	2	PAD HOLDER 20 3 LUG	5711144128
31	56505195	2	PAD RETAINER	5711144128
			FOR 56505750	
32	56505791	2	DISC BRUSH 20 MAGNAGRIT 3 LUG	5711144128
33	56505792	2	DISC BRUSH 20 DYNA GRIT 3 LUG	5711144128
34	56505793	2	DISC BRUSH 20 AGLITE 3 LUG	5711144128
35	56505794	2	DISC BRUSH 20 PROLENE 3 LUG	5711144128
36	56505795	2	DISC BRUSH 20 PROLITE 3 LUG	5711144128
37	56505796	2	DISC BRUSH 20 UNION MIX 3 LUG	5711144128
38	56505797	2	DISC BRUSH 20 MIDGRIT 3 LUG	5711144128
39	56505798	2	DISC BRUSH 20 MDLITE 3 LUG	5711144128
40	56505780	2	PAD HOLDER 17 3 LUG	5711144128
41	56505195	2	PAD RETAINER	5711144128
			FOR 56505750	

NOTE 1: Replacement parts for the kits listed above can be found on each kit's associated instruction sheet.

NOTE 2: This seat belt kit is for use on Seat 7-69-00008.

Optional kits and accessories 1

BR 1100S - 1300S

30-05-2011

Part List ID
BR1100S1300S52

74

Pos	Part no.	Qty	Description	EAN
42	56505781	2	DISC BRUSH 17 MAGNAGRIT 3 LUG	5711144128
43	56505782	2	DISC BRUSH 17 DYNAGRIT 3 LUG	5711144128
44	56505783	2	DISC BRUSH 17 AGLITE 3 LUG	5711144128
45	56505784	2	DISC BRUSH 17 PROLENE 3 LUG	5711144128
46	56505785	2	DISC BRUSH 17 PROLITE 3 LUG	5711144128
47	56505786	2	DISC BRUSH 17 UNION MIX 3 LUG	5711144128
48	56505787	2	DISC BRUSH 17 MIDGRIT 3 LUG	5711144128
49	56505788	2	DISC BRUSH 17 MDLITE 3 LUG	5711144128
50	56413113	2	BRUSH SOFT NYLON 40	5711144093
51	56413114	2	BRUSH HARD NYLON 40	5711144093
52	56413118	2	BRUSH POLYPROPYLENE 40	5711144093
53	56413115	2	BRUSH 180 GRIT 40	5711144093
54	56413116	2	BRUSH 80 GRIT 40	5711144093
60	56413352	2	BRUSH SOFT NYLON 48	5711144094
61	56413353	2	BRUSH HARD NYLON 48	5711144094
62	56413357	2	BRUSH POLYPROPYLENE 48	5711144094
63	56413354	2	BRUSH 180 GRIT 48	5711144094
64	56413355	2	BRUSH 80 GRIT 48	5711144094

NOTE 1: Replacement parts for the kits listed above can be found on each kit's associated instruction sheet.

NOTE 2: This seat belt kit is for use on Seat 7-69-00008.

Optional kits and accessories 2

BR 1100S - 1300S

30-05-2011

Part List ID
BR1100S1300S53

75

No Drawing For Part List

Optional kits and accessories 2

BR 1100S - 1300S

30-05-2011

Part List ID
BR1100S1300S53

76

Pos	Part no.	Qty	Description		EAN
1	56413761	1	BLADE KIT SQUEEGEE GUM F	STD - NOTE 1	5711144095
2	56413762	1	BLADE KIT SQGEE RED GUM F	STD - NOTE 1	5711144095
3	56413745	1	BLADE KIT SQUEEGEE PU F	NOTE 1	5711144095
3	56413745	1	BLADE KIT SQUEEGEE PU F	NOTE 1	5711144095
4	56413765	1	BLADE KIT SQUEEGEE GUM H	NOTE 1	5711144095
5	56413766	1	KIT LINA TEX SQUEEGEE BLADE H	STD - NOTE 1	5711144095
6	56413747	1	BLADE KIT SQUEEGEE PU H	NOTE 1	5711144095
7	56413767	1	BLADE KIT DISC GUM 40	NOTE 2	5711144095
8	56413768	1	BLADE KIT DISC RED GUM 40	STD - NOTE 2	5711144095
9	56413754	1	BLADE KIT DISC PU 40	NOTE 2	5711144095
10	56413769	1	BLADE KIT DISC GUM 45/48	NOTE 2	5711144095
11	56413770	1	BLADE KIT DISC RED GUM	STD - NOTE 2	5711144095
12	56413755	1	BLADE KIT DISC PU 45/48	NOTE 2	5711144095
13	56413820	2	BLADE DECK GUM		5711144096
14	56413654	2	SKIRT	STD	5711144095
15	56413743	2	BLADE DECK POLYURETHANE		5711144095
16	56413733	1	KIT BATTERY 480AH ROLLOUT		5711144095
17	56413734	1	KIT BATTERY 480AH		5711144095
18	80562500	1	BATT.36V-480Ah WET tray w ith Aquamatic		5715492068
18	80562500	1	BATT.36V-480Ah WET tray w ith Aquamatic		5715492068
19	80562600	1	BATT.36V-420Ah GEL Single Cells in tray		5715492068
19	80562600	1	BATT.36V-420Ah GEL Single Cells in tray		5715492068
20	80563660	1	CHARGER HF 36V 60A SB175G	USED ON 80562500	5715492058
20	80563660	1	CHARGER HF 36V 60A SB175G	USED ON 80562500	5715492058
21	80573680	1	CHARGER HF 36V 80A SB350G TriphaseWet	USED ON 80562600	5715492058
21	80573680	1	CHARGER HF 36V 80A SB350G TriphaseWet	USED ON 80562600	5715492058
22	56409441	1	PROGRAMMER 1311NP USER		5711144084
23	56410508	1	PROGRAMMER CABLE MOLEX		5711144088
24	56044381	1	LITERATURE PACK		5711144170
24	56044592	1	LITERATURE PACK	(after SN1000038924)	5711144015

NOTE 1: Squeegee Blade Kits include both front & rear squeegee blades.

NOTE 2: Disk Deck Blade Kits include all skirt assembly blades.

Brush selector guide-disk

BR 1100S - 1300S

30-05-2011

Part List ID
BR1100S1300S54

78

Pos	Part no.	Qty	Description	EAN
1	56505790	1	PAD HOLDER 20 3 LUG	5711144128
2	56505195	1	PAD RETAINER	5711144128
3	56505795	1	DISC BRUSH 20 PROLITE 3 LUG	5711144128
4	56505794	1	DISC BRUSH 20 PROLENE 3 LUG	5711144128
5	56505796	1	DISC BRUSH 20 UNION MIX 3 LUG	5711144128
6	56505793	1	DISC BRUSH 20 AGLITE 3 LUG	5711144128
7	56505797	1	DISC BRUSH 20 MIDGRIT 3 LUG	5711144128
8	56505798	1	DISC BRUSH 20 MDLITE 3 LUG	5711144128
9	56505792	1	DISC BRUSH 20 DYNA GRIT 3 LUG	5711144128
10	56505791	1	DISC BRUSH 20 MAGNAGRIT 3 LUG	5711144128
21	56505780	1	PAD HOLDER 17 3 LUG	5711144128
22	56505195	1	PAD RETAINER	5711144128
23	56505785	1	DISC BRUSH 17 PROLITE 3 LUG	5711144128
24	56505784	1	DISC BRUSH 17 PROLENE 3 LUG	5711144128
25	56505786	1	DISC BRUSH 17 UNION MIX 3 LUG	5711144128
26	56505783	1	DISC BRUSH 17 AGLITE 3 LUG	5711144128
27	56505787	1	DISC BRUSH 17 MIDGRIT 3 LUG	5711144128
28	56505788	1	DISC BRUSH 17 MDLITE 3 LUG	5711144128
29	56505782	1	DISC BRUSH 17 DYNA GRIT 3 LUG	5711144128
30	56505781	1	DISC BRUSH 17 MAGNAGRIT 3 LUG	5711144128

Brush selector guide-cylindrical

BR 1100S - 1300S

30-05-2011

Part List ID
BR1100S1300S55

79

We provide brushes and pad holders that will give you the best possible performance between machine and floor. Following are descriptions of the materials and their applications.

- 80 Grit Brush:** Medium aggressive grit brush. Good all-around brush for medium to heavy buildup removal. Can also be used for general stripping operations.
- 180 Grit Brush:** Least aggressive grit brush. Used for daily cleaning of hard-finished floors.
- Polypropylene Brush:** Standard equipment brush. Low cost, yet effective in cleaning many common floor surfaces.
- Stiff Nylon Brush:** Cleaning action similar to polypropylene. More durable and wear-resistant than polypropylene.
- Soft Nylon Brush:** Least aggressive brush available. Used on soft-finish floors where a more aggressive brush would leave scratch marks, or in applications requiring very light cleaning.

BR 1100S C BRUSHES

56413113 - Soft Nylon
56413114 - Hard Nylon
56413118 - Prolene
56413115 - 180 Grit
56413116 - 80 Grit

BR 1300S C BRUSHES

56413352 - Soft Nylon
56413353 - Hard Nylon
56413357 - Prolene
56413354 - 180 Grit
56413355 - 80 Grit

CYLINDRICAL BRUSH APPLICATION GUIDE (SUGGESTION ONLY)

Application	80 Grit	180 Grit	Polypropylene	Stiff Nylon	Soft Nylon
Stripping:					
Concrete	X				
Terrazzo	X				
Ceramic/Quarry tile	X				
Vinyl tile	X				
General Scrubbing:					
Concrete	X	X	X	X	
Terrazzo		X	X	X	X
Ceramic/Quarry tile		X	X	X	X
Marble		X		X	X
Vinyl tile		X	X	X	X
Raised-rubber tile		X			X

Brush selector guide-cylindrical

BR 1100S - 1300S

30-05-2011

Part List ID
BR1100S1300S55

80

Pos	Part no.	Qty	Description	EAN
1	56413113	1	BRUSH SOFT NYLON 40	5711144093
2	56413114	1	BRUSH HARD NYLON 40	5711144093
3	56413118	1	BRUSH POLYPROPYLENE 40	5711144093
4	56413115	1	BRUSH 180 GRIT 40	5711144093
5	56413116	1	BRUSH 80 GRIT 40	5711144093
11	56413352	1	BRUSH SOFT NYLON 48	5711144094
12	56413353	1	BRUSH HARD NYLON 48	5711144094
13	56413357	1	BRUSH POLYPROPYLENE 48	5711144094
14	56413354	1	BRUSH 180 GRIT 48	5711144094
15	56413355	1	BRUSH 80 GRIT 48	5711144094

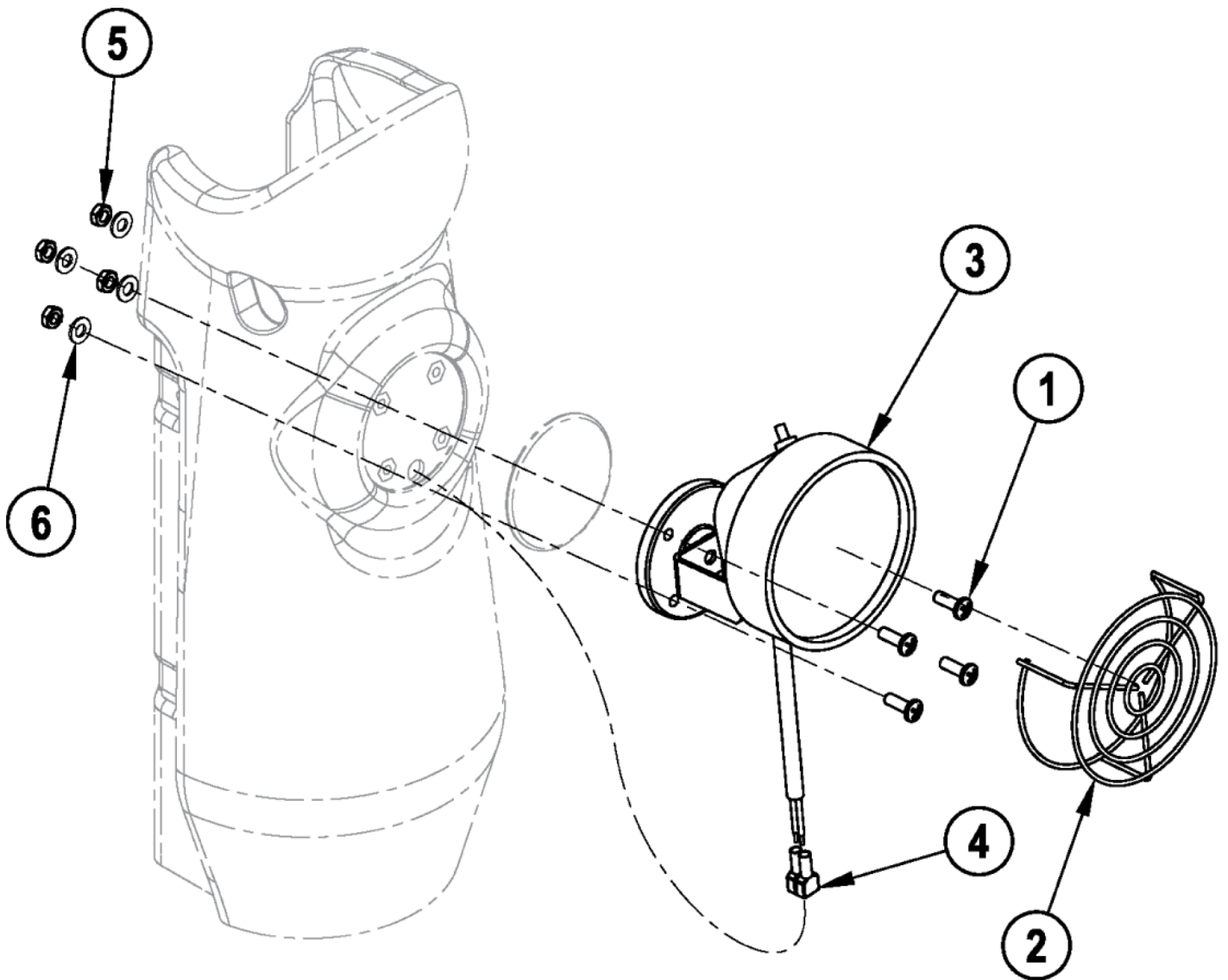
56314313 - Headlight Kit

BR 1100S - 1300S

30-05-2011

Part List ID
IS56040791

81



56314313 - Headlight Kit

BR 1100S - 1300S

30-05-2011

Part List ID
IS56040791

82

Pos	Part no.	Qty	Description	EAN
	56040791	1	INSTRUCTION SHEET	5711144014
1	56002292	4	SCR PAN PHIL 1/4 20 X 1.00	5711144001
2	56409557	1	GUARD HEADLIGHT	5711144085
3	56409239	1	HEADLIGHT	5711144084
4	56172230	2	TERM. .250 INS. TAB	5711144029
5	56002840	4	NUT HEX NYL LOC THIN 1/4 20	5711144002
6	56002098	4	WSH FLT SAE 1/4	5711144000

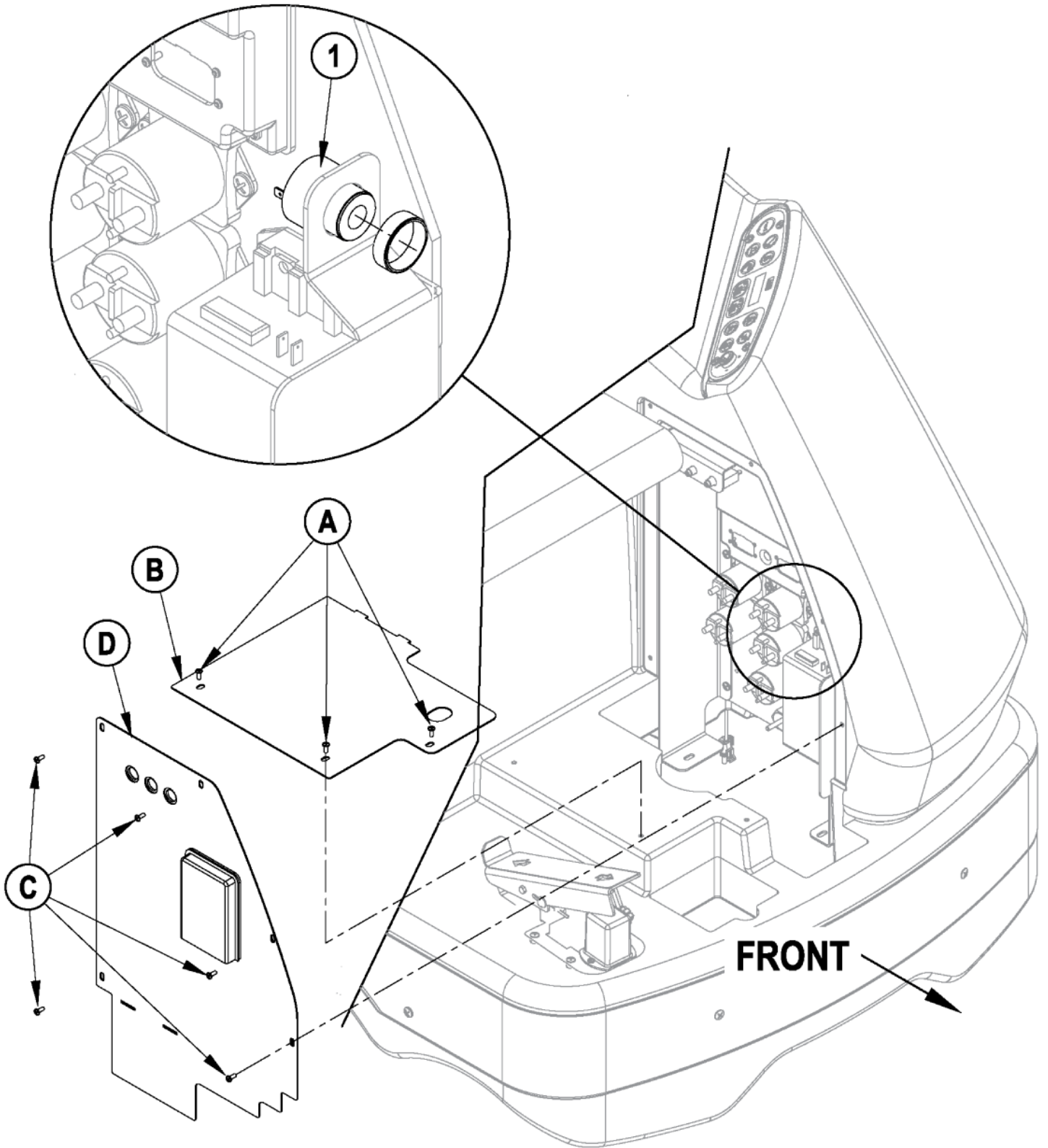
56413681 - Backup Alarm Kit

BR 1100S - 1300S

30-05-2011

Part List ID
IS56040859

83



56413681 - Backup Alarm Kit

BR 1100S - 1300S

30-05-2011

Part List ID

IS56040859

84

Pos	Part no.	Qty	Description	EAN
	56040859	1	INSTRUCTION SHEET	5711144014
1	56412177	1	HORN BACKUP ALARM	5711144091

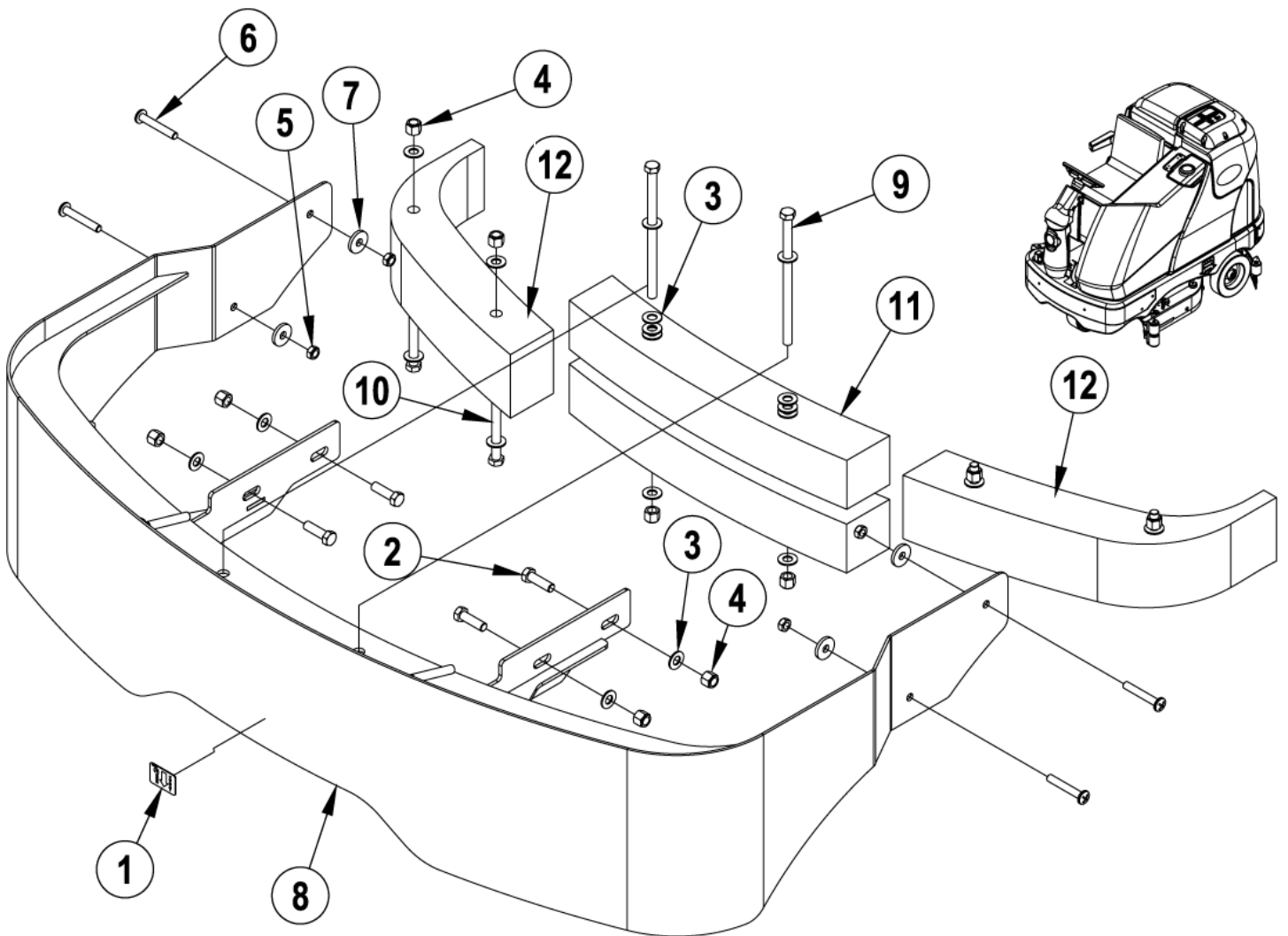
56413089 / 56413870 - Bumper Kits

BR 1100S - 1300S

30-05-2011

Part List ID
IS56040862

85



56413089 / 56413870 - Bumper Kits

BR 1100S - 1300S

30-05-2011

Part List ID
IS56040862

86

Pos	Part no.	Qty	Description	EAN
	56040862	1	INSTRUCTION SHEET	5711144014
1	56015370	1	DECAL TIE DOWN	5711144010
1	56015370	1	DECAL TIE DOWN	5711144010
2	56001858	4	SCR HEX 3/8 16 X 1.25	5711144000
3	56002063	4	WSH FLT SAE 3/8	QTY OF 22 IN 56413870 5711144000
4	56002769	4	NUT HEX NYL LOC 3/8 16	QTY OF 10 IN 56413870 5711144002
5	56002826	4	NUT HEX NYL LOC THIN 5/16 18	5711144002
6	56003613	4	SCR PAN PHIL 5/16 18 X 2.00	5711144006
7	56009057	4	WSH FLT HDN .344X1.0X.120/.13	5711144007
8	56413088	1	BUMPER FRONT HEAVY WELDMENT	56413089 5711144093
8	56413863	1	BUMPER WEIGHTED WELDMENT	56413870 5711144096
9	56003044	2	SCR HEX 3/8 16 X 6.50	56413870 5711144003
10	56009241	4	SCR HEX 3/8 16X4.25	56413870 5711144008
11	56413868	2	WEIGHT BUMPER CENTER	56413870 5711144096
12	56413869	2	WEIGHT BUMPER SIDE	56413870 5711144096

NOTE: Items (9 - 12 / a quantity of 18 of Item 3 & a quantity of 6 of Item 4) are preassembled to Item (8) in Kit 56413870.

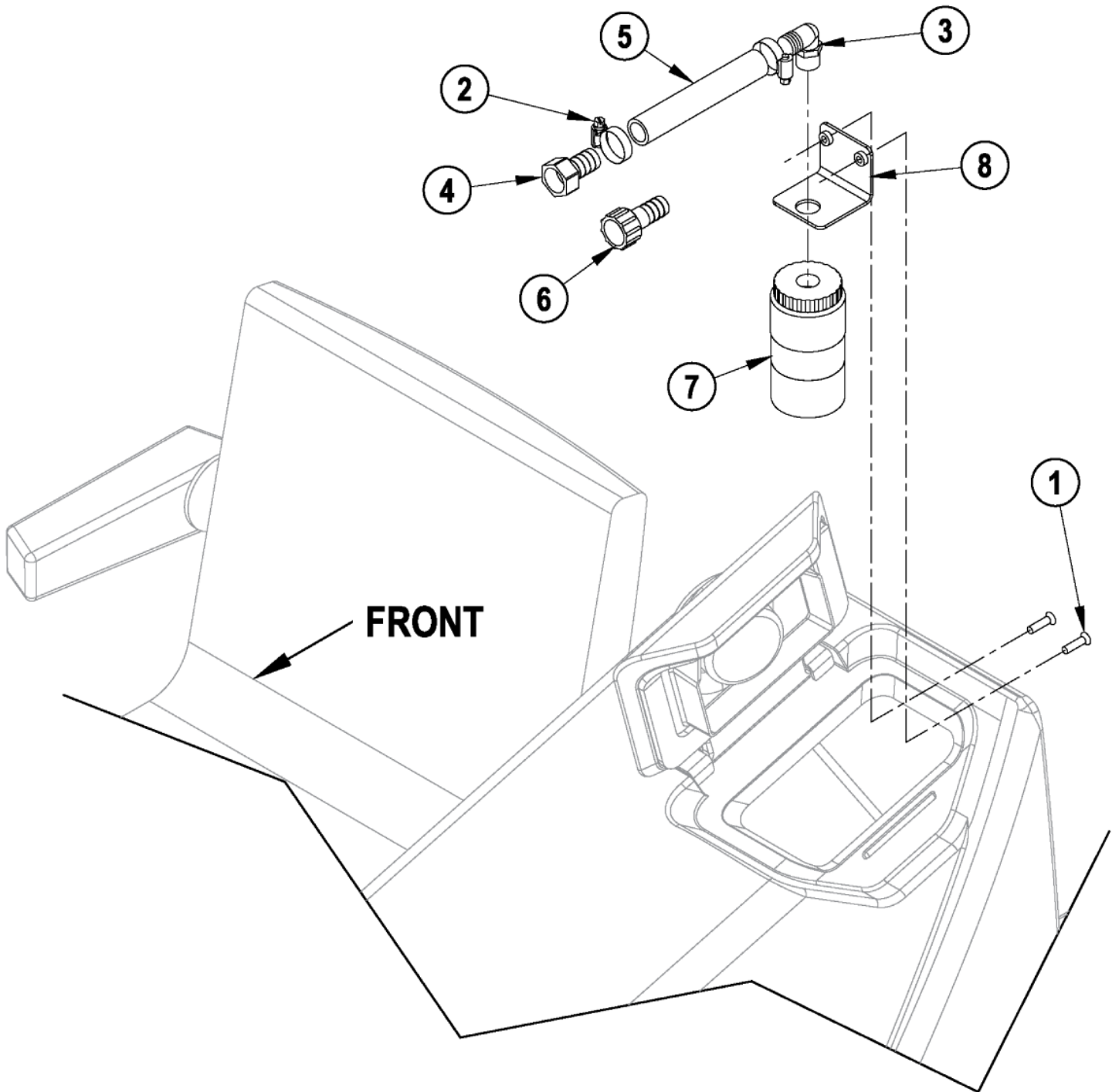
56413685 - Solution Auto-Fill Kit

BR 1100S - 1300S

30-05-2011

Part List ID
IS56040865

87



56413685 - Solution Auto-Fill Kit

BR 1100S - 1300S

30-05-2011

Part List ID

IS56040865

88

Pos	Part no.	Qty	Description	EAN
	56040865	1	INSTRUCTION SHEET	5711144014
1	56003742	2	SCR FLT PHIL SS 1/4 20X1.25	5711144007
2	56244969	2	CLAMP HOSE SAE 12 E00047	5711144034
3	56244985	1	BARB 3/4X1/2X90 NYLFC433M	5711144034
5	56305762	1	HOSE SPIRAL E00605	5711144049
6	56305835	1	BARB FEMALE SWIV3/4 14GASX19MM	5711144050
7	56314210	1	VALVE AUTOFILL	5711144054
8	56413686	1	BRACKET AUTO FILL	5711144095

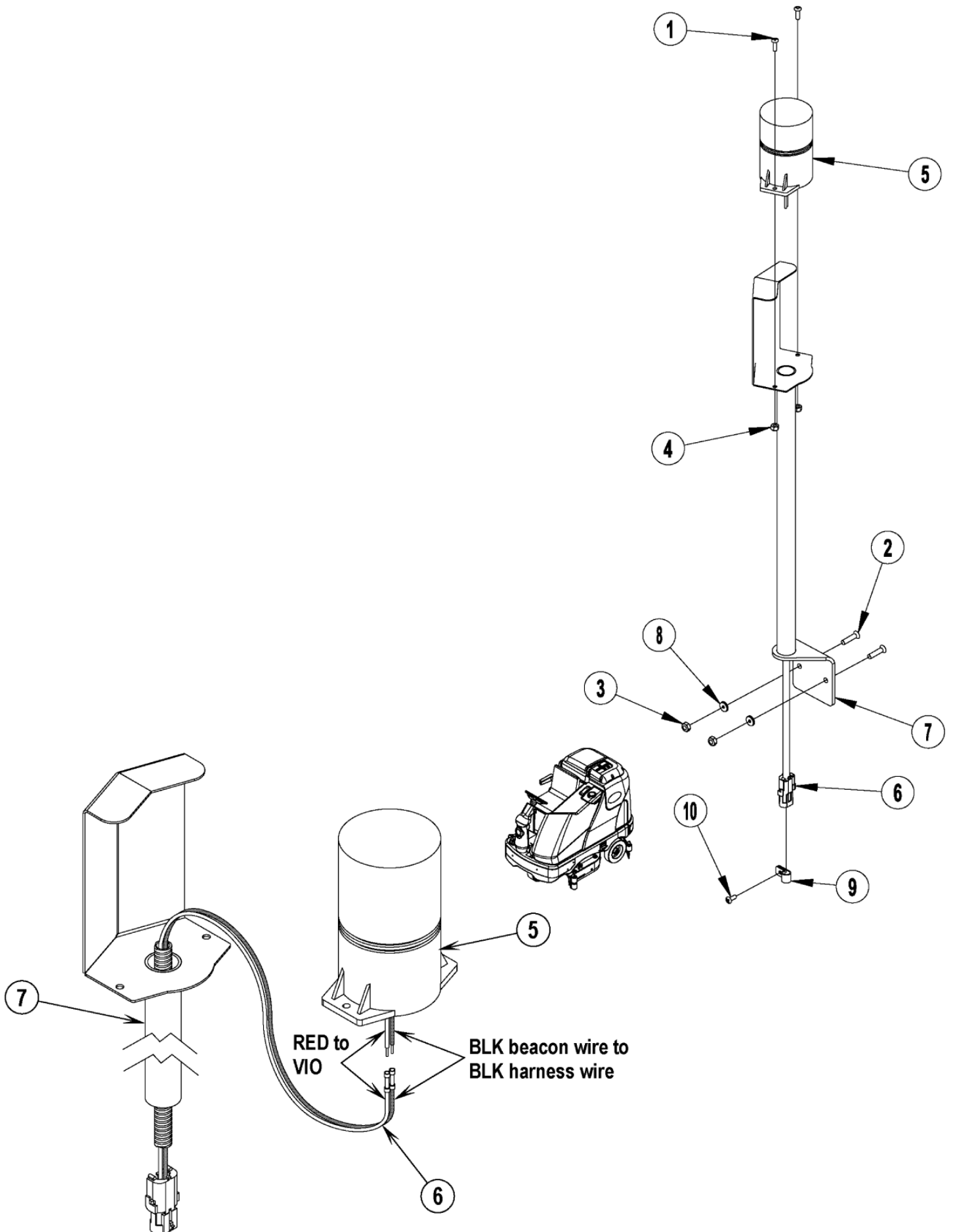
56413649 - Warning Beacon Kit

BR 1100S - 1300S

30-05-2011

Part List ID
IS56040866

89



56413649 - Warning Beacon Kit

BR 1100S - 1300S

30-05-2011

Part List ID

IS56040866

90

Pos	Part no.	Qty	Description	EAN
	56040866	1	INSTRUCTION SHEET	5711144014
1	56002124	2	SCREW10 24 X .62 PNH PH	5711144000
2	56003742	2	SCR FLT PHIL SS 1/4 20X1.25	5711144007
3	56002850	2	NUT HEX NYL LOC THIN SS 1/4 20	5711144002
4	56002768	2	NUT HEX NYL LOC 10 24	5711144002
5	56305223	1	BEACON WARNING	5711144047
6	56305513	1	HARNES BEACON	5711144048
7	56413648	1	BEACON BRACKET WELDMENT	5711144095
8	56900737	2	WASHER SEALING E00256	5711144146
9	56342319	1	CLAMP CABLE .375 E00129	5711144066
10	56001993	1	SCREW 10 24 X 0.5 ZINC PL	5711144000

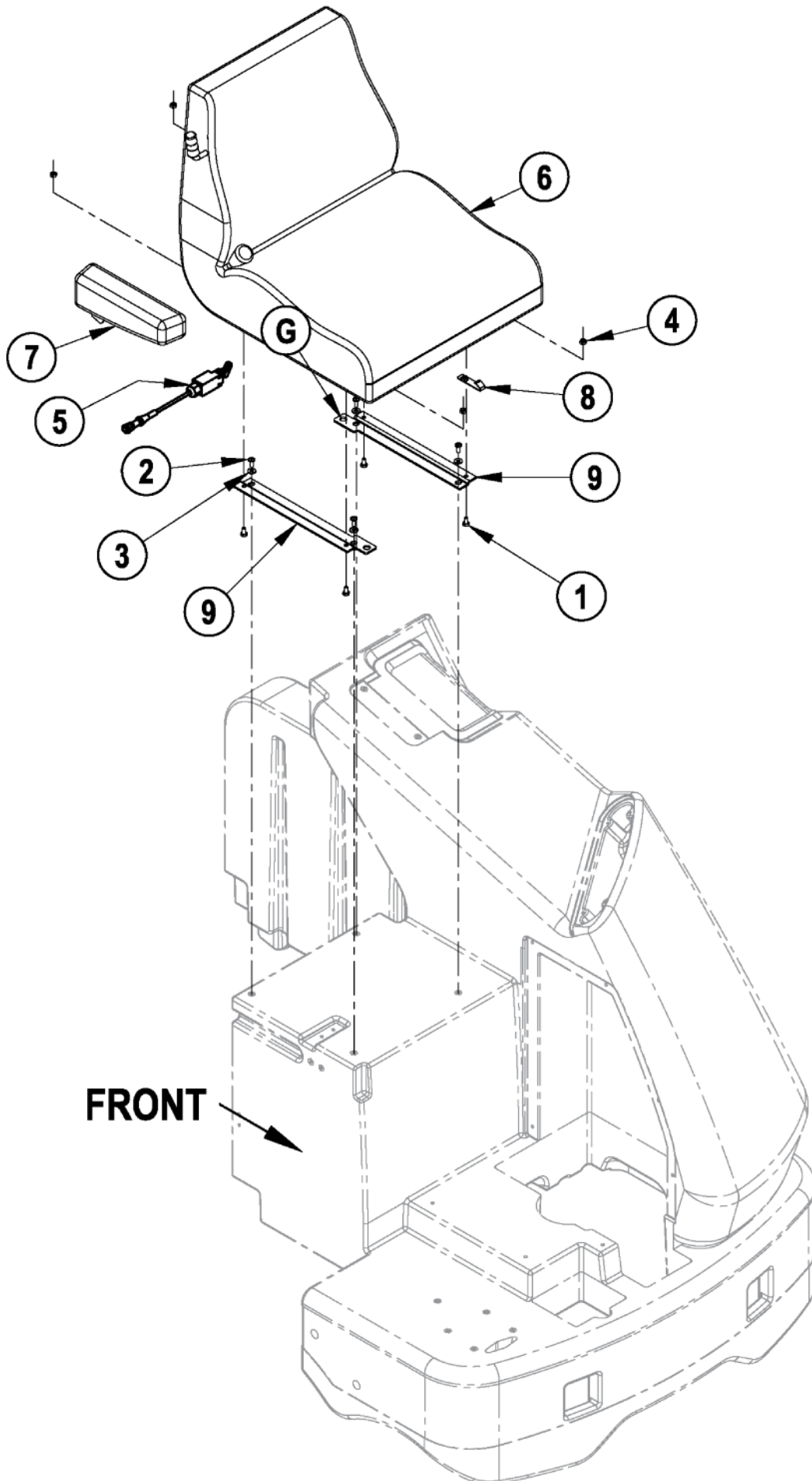
56413764 - Grammer Seat with Switch Kit

BR 1100S - 1300S

30-05-2011

Part List ID
IS56040867

91



56413764 - Grammer Seat with Switch Kit

BR 1100S - 1300S

30-05-2011

Part List ID

IS56040867

92

Pos	Part no.	Qty	Description	EAN
	56040867	1	INSTRUCTION SHEET	5711144014
1	56001854	4	SCR HEX 1/4 20 X .50	5711144000
2	56002066	4	SCR PAN PHIL 1/4 20 X .62	5711144000
3	56002098	4	WSH FLT SAE 1/4	5711144000
4	56002840	4	NUT HEX NYL LOC THIN 1/4 20	5711144002
5	56303533	1	SWITCH GRAMMER SEAT	5711144043
6	56305612	1	SEAT GRAMMER	5711144049
7	56305613	1	ARMREST GRAMMER RH	5711144049
8	56305934	1	SLIDE STOP SEAT	5711144050
9	56413763	2	BRACKET DELUXE SEAT	5711144095

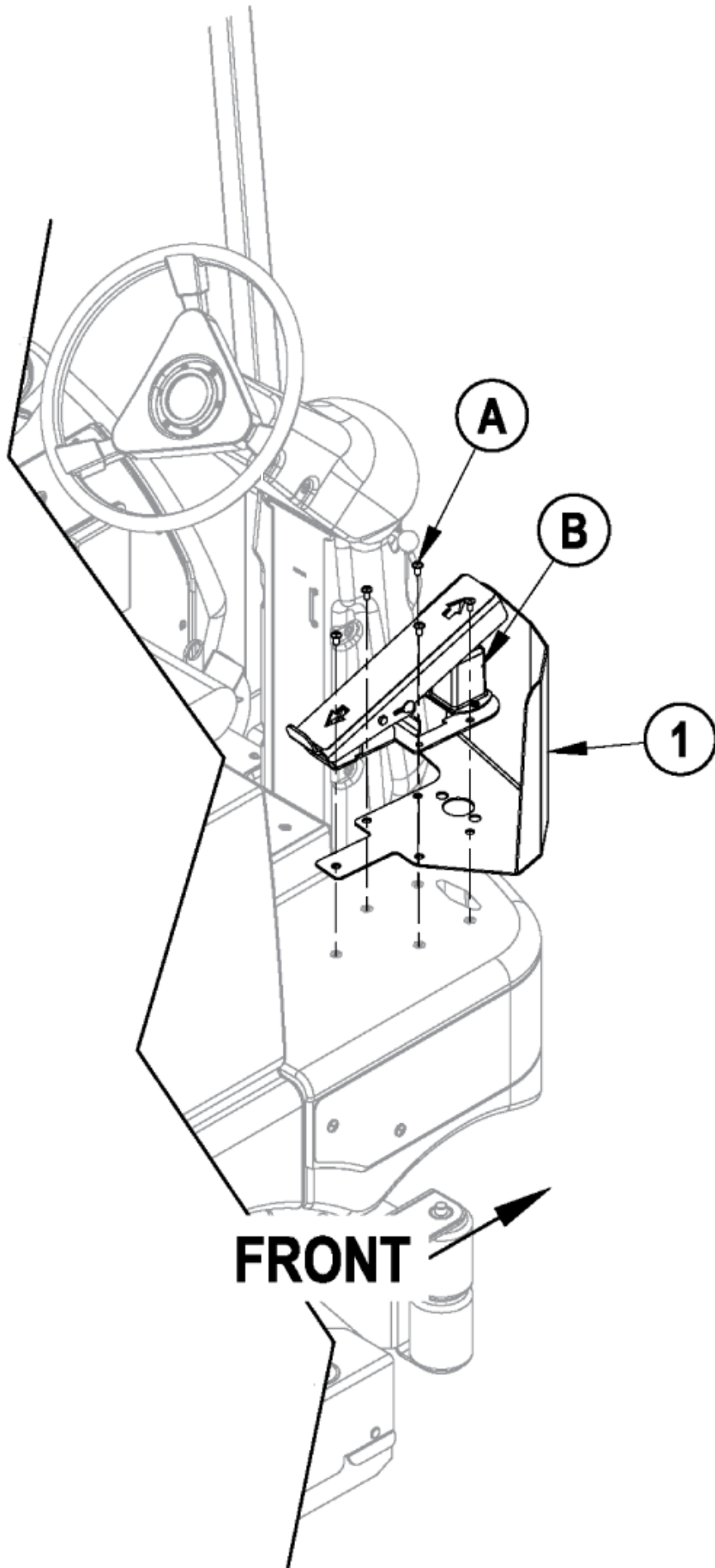
56413773 - Foot Guard Kit

BR 1100S - 1300S

30-05-2011

Part List ID
IS56040868

93



56413773 - Foot Guard Kit

BR 1100S - 1300S

30-05-2011

Part List ID

IS56040868

94

Pos	Part no.	Qty	Description	EAN
	56040868	1	INSTRUCTION SHEET	5711144014
1	56413417	1	GUARD FOOT WELDMENT	5711144094

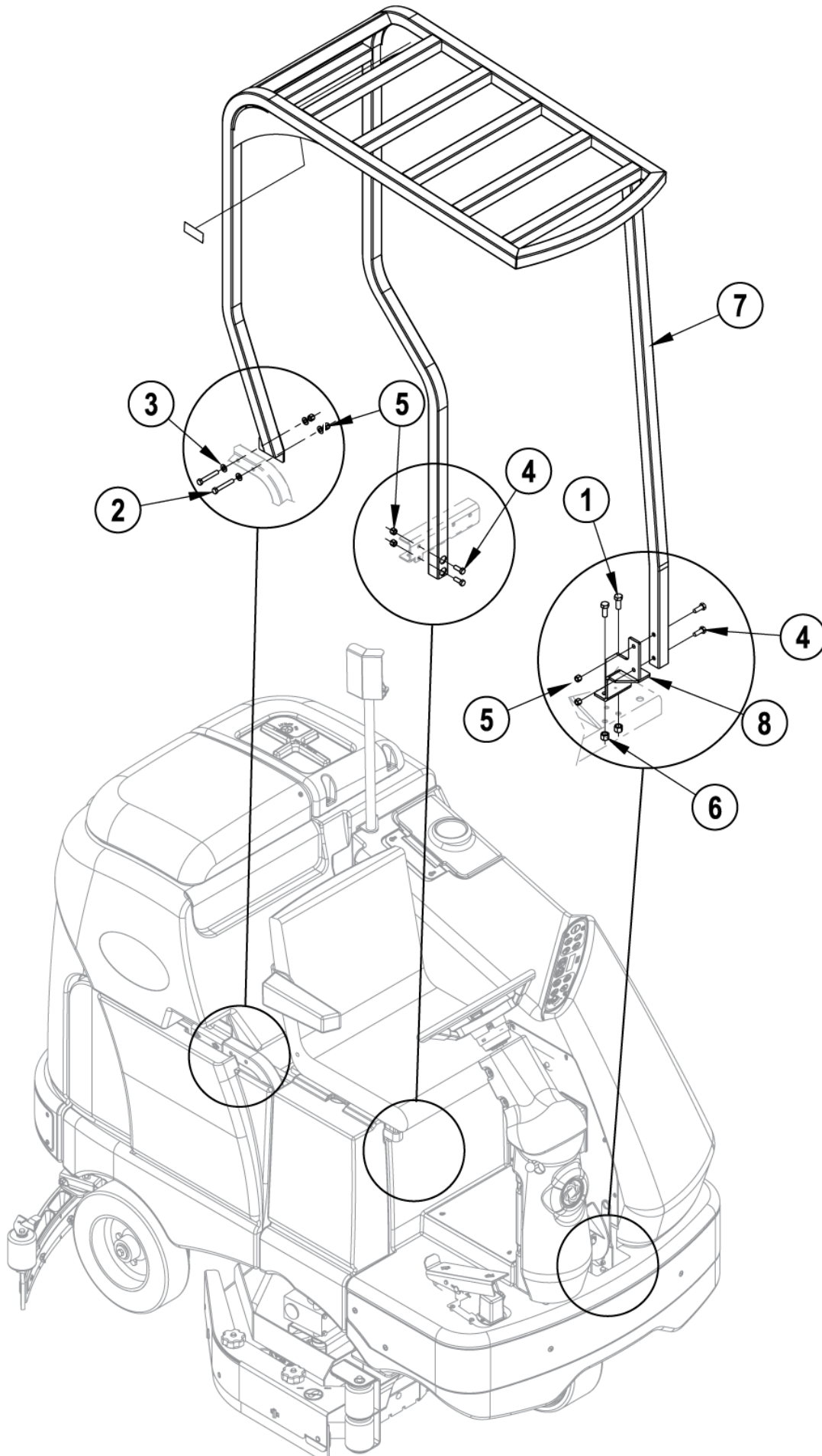
56413774 - Overhead Guard Kit

BR 1100S - 1300S

30-05-2011

Part List ID
IS56040869

95



56413774 - Overhead Guard Kit

BR 1100S - 1300S

30-05-2011

Part List ID

IS56040869

96

Pos	Part no.	Qty	Description	EAN
	56040869	1	INSTRUCTION SHEET	5711144014
1	56001831	2	SCR HEX 1/2 13 X 1.25	5711144000
2	56001873	2	SCR HEX 3/8 16 X 2.50	5711144000
3	56002063	4	WSH FLT SAE 3/8	5711144000
4	56002663	4	SCR HEX 3/8 16 X 1.00	5711144002
5	56002769	6	NUT HEX NYL LOC 3/8 16	5711144002
6	56002770	2	NUT HEX NYL LOC 1/2 13	5711144002
7	56413094	1	OVERHEAD GUARD WELDMENT	5711144093
8	56413825	1	MOUNT WELDMENT OVERHEAD GUARD	5711144096

56413809 - Deck Kit

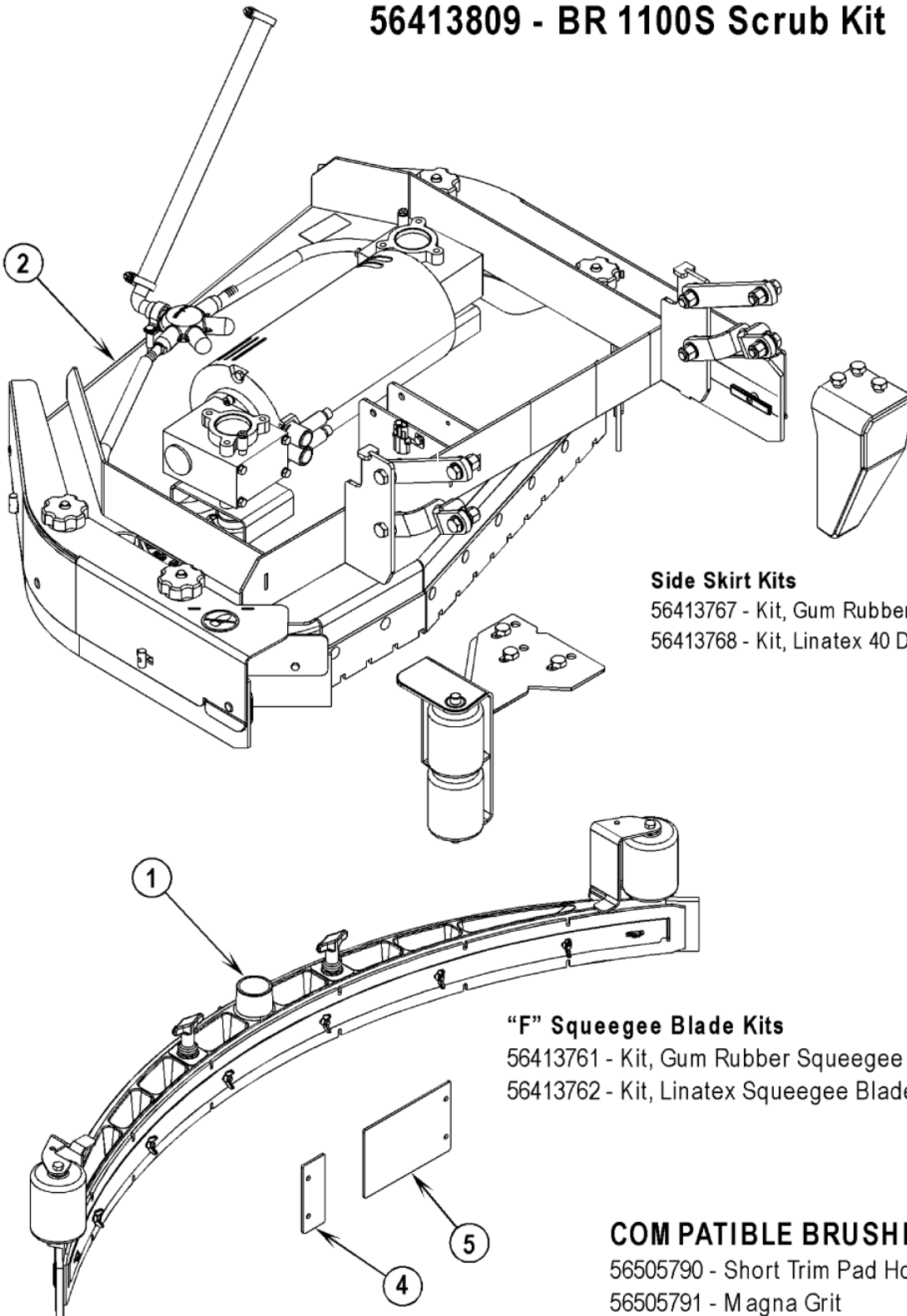
BR 1100S - 1300S

30-05-2011

Part List ID
IS56040872

97

56413809 - BR 1100S Scrub Kit



Side Skirt Kits

- 56413767 - Kit, Gum Rubber 40 Disk Blade
- 56413768 - Kit, Linatex 40 Disk Blade

"F" Squeegee Blade Kits

- 56413761 - Kit, Gum Rubber Squeegee Blade "F"
- 56413762 - Kit, Linatex Squeegee Blade "F"

COMPATIBLE BRUSHES (2 req.)

- 56505790 - Short Trim Pad Holder
- 56505791 - Magna Grit
- 56505792 - Dyna Grit
- 56505793 - AgLite
- 56505794 - Prolene
- 56505795 - Prolite
- 56505796 - Union Mix
- 56505797 - MidGrit
- 56505798 - MidLite

Item	Ref. No.	Qty	Description
	56413809	1	BR 1100S Scrub Kit
*	56040872	1	Instruction Sheet
1	56413739	1	Squeegee Assembly "F"
2	56413793	1	BR 1100S Scrub Assembly
4	56413776	1	Stop Plate, Small
5	56413778	1	Stop Plate, Large

56413809 - Deck Kit

BR 1100S - 1300S

30-05-2011

Part List ID

IS56040872

98

Pos	Part no.	Qty	Description	EAN
	56040872	1	INSTRUCTION SHEET	5711144014
0	56413809	1	BR1100S SCRUB KIT	5711144096
1	56413739	1	SQUEEG ASSEMBLY F GUM RUBBER	5711144095
1	56413739	1	SQUEEG ASSEMBLY F GUM RUBBER	5711144095
2	56413793	1	BR1100S SCRUB ASSEMBLY	5711144095
4	56413776	1	STOP PLATE SMALL	5711144095
5	56413778	1	STOP PLATE LARGE	5711144095

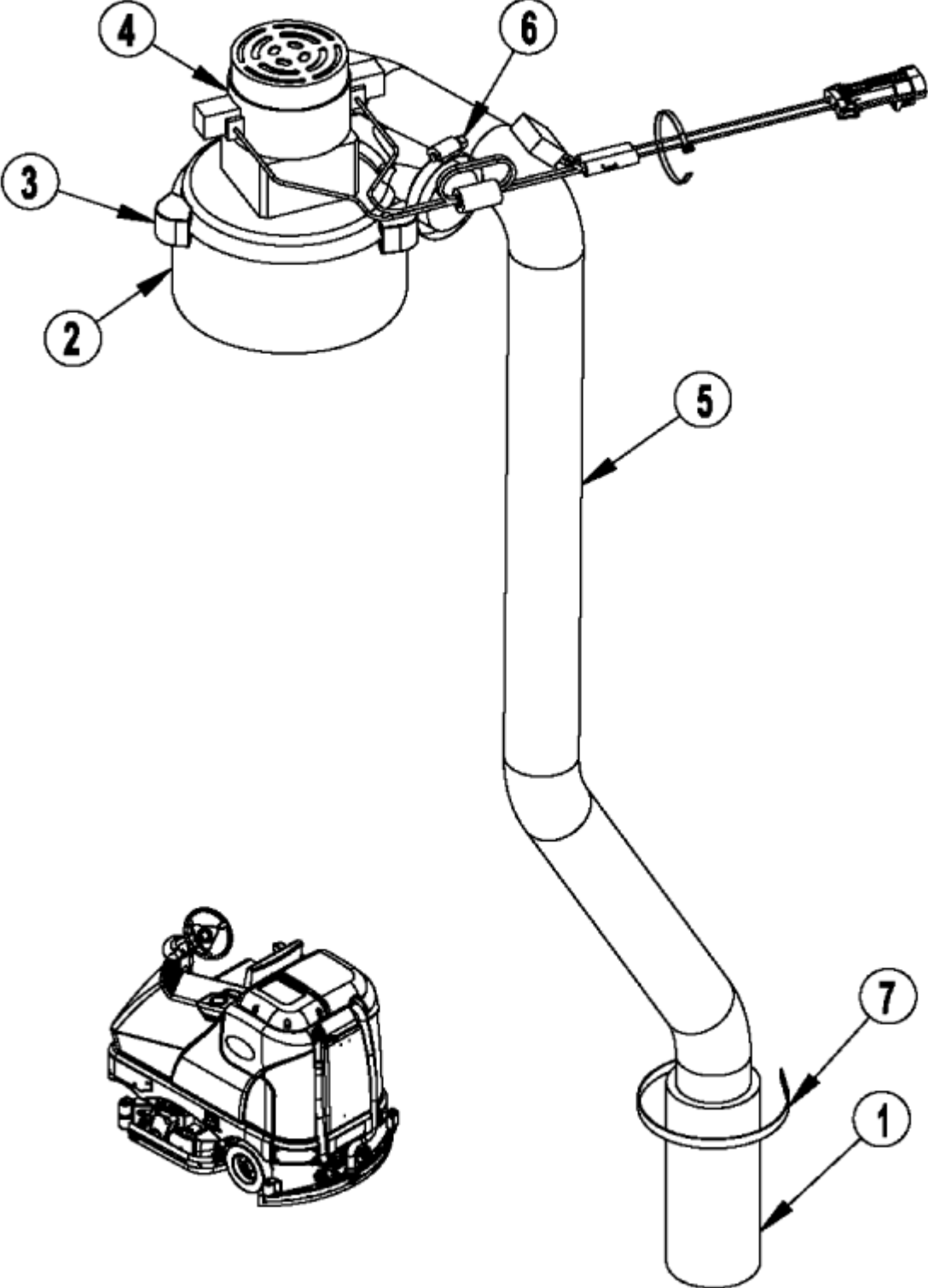
56413821 - Vacuum Motor Kit

BR 1100S - 1300S

30-05-2011

Part List ID
IS56040873

99



56413821 - Vacuum Motor Kit

BR 1100S - 1300S

30-05-2011

Part List ID

IS56040873

100

Pos	Part no.	Qty	Description	EAN
	56040873	1	INSTRUCTION SHEET	5711144014
1	56391807	1	FOAM ACCOUSTICAL	5711144073
2	56314488	1	MUFFLER VAC	5711144055
3	56315141	2	MOUNT VIBRATION	5711144058
4	56410065	1	VAC MOTOR ASSY	5711144086
5	56413172	1	HOSE VAC 2.00X50.00X975018	5711144093
6	56440213	1	CLAMP HOSE SAE 32E00047	5711144107
7	56477613	1	CABLE TIE E00549 RE409S	5711144123

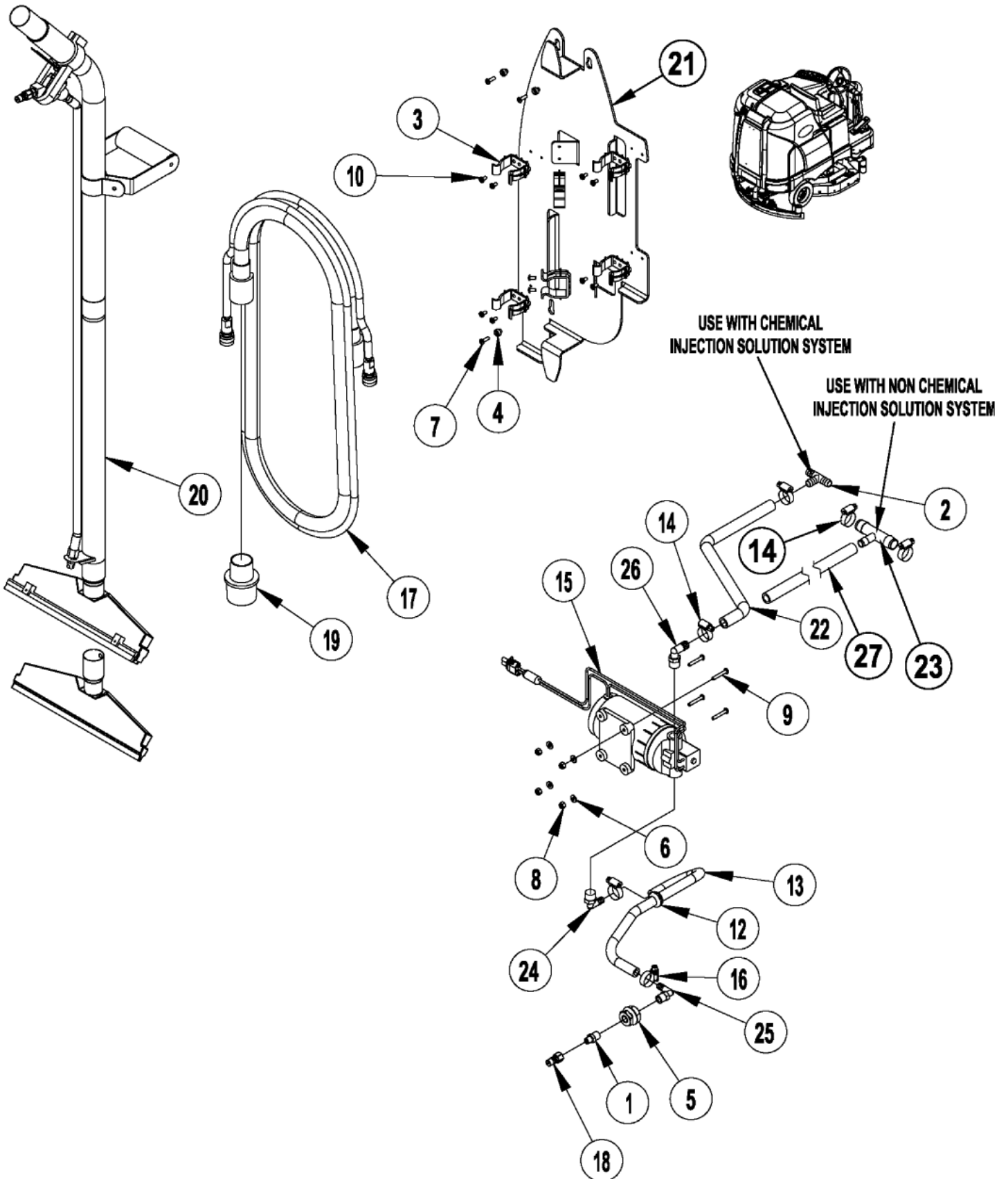
56413687 - Spray Wand Kit

BR 1100S - 1300S

30-05-2011

Part List ID
IS56040876

101



56413687 - Spray Wand Kit

BR 1100S - 1300S

30-05-2011

Part List ID
IS56040876

102

Pos	Part no.	Qty	Description	EDS MODELS	STANDARD MODELS	EAN
	56040876	1	INSTRUCTION SHEET			
1	56220074	1	IMPERIAL NIPPLE			5711144033
2	56262549	1	TEE E00455	EDS MODELS		5711144036
3	56407361	6	CLAMP PLASTIC			5711144082
4	56412310	3	BUSHING STEPPED			5711144092
5	56745543	1	ADAPTER BLKHD 1/4 AC230N			5711144144
6	56001954	4	WSH FLT SAE 10			5711144000
7	56002124	3	SCREW10 24 X .62 PNH PH			5711144000
8	56002768	4	NUT HEX NYL LOC 10 24			5711144002
9	56002824	4	SCR PAN PHIL 10 24X1.25			5711144002
10	56009030	12	SCR PAN PHIL THD FOM 10 24X.38			5711144007
12	56052338	1	GROMMET E00059			5711144016
13	56052887	1	TUBE VINYL 18 E00603			5711144016
14	56112771	4	CLAMP HOSE SAE 10 E00047			5711144028
15	56212014	1	PUMP DC 36V BY PASS			5711144032
16	56219932	2	CLAMP HOSE SAE 6 E00047			5711144033
17	56220035	1	HOSE ASSY.			5711144033
18	56220055	1	PLUG			5711144033
19	56410510	1	COUPLER COOL VAC			5711144088
20	56314402	1	WAND ASSEMBLY			5711144055
21	56314403	1	CADDY			5711144055
22	56412277	1	SOLUTION HOSE E00604	EDS MODELS		5711144092
23	56413844	1	TEE BARB .75X.50	STANDARD MODELS		5711144096
24	56900035	1	ELBOW BARB E00037			5711144145
25	56900036	1	ELBOW BARB E00037			5711144145
26	56109566	1	BARB 90 ELBOW 1/2 X 3/8 NPT			5711144021
27	56386182	1	HOSE E00604	STANDARD MODELS		5711144071

NOTE: Items (3, 10 & 21) are pre-assembled

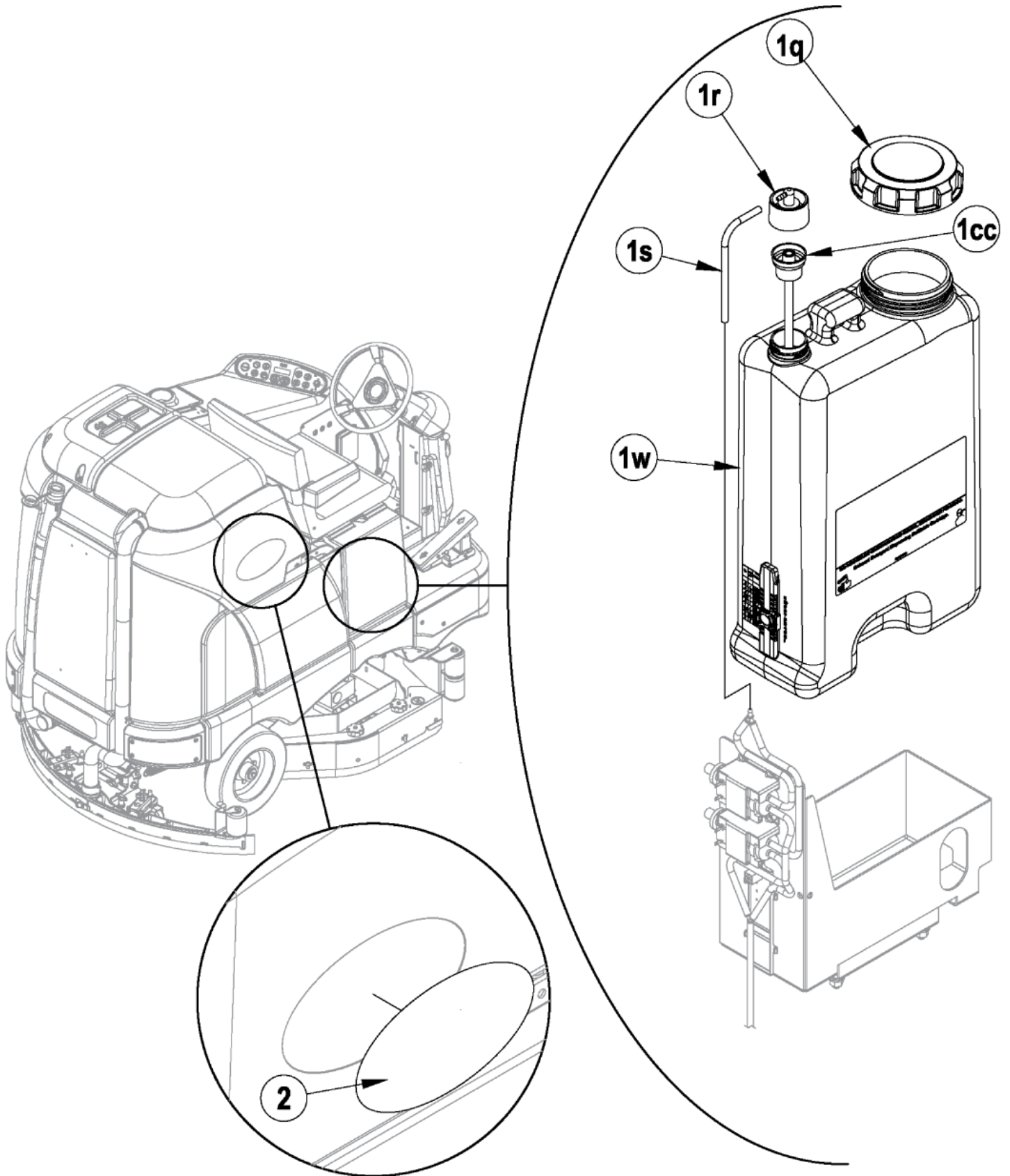
56413614 - Chemical Metering Kit

BR 1100S - 1300S

30-05-2011

Part List ID
IS56040881

103



56413614 - Chemical Metering Kit

BR 1100S - 1300S

30-05-2011

Part List ID
IS56040881

104

Pos	Part no.	Qty	Description	EAN
	56040881	1	INSTRUCTION SHEET	5711144014
1	56413862	1	CHEMICAL METERING ASSEMBLY SEE 56042467 FOR REPLACEMENT PARTS	5711144096
2	56016738	2	DECAL BR1100S EDS	5711144012
2	56016740	2	DECAL BR1300S EDS	5711144012

NOTE: If your machine has Spray Wand Kit 56413687 installed you will need to order (1) Tee 56262549 and (2) Hose Clamps 56112771 prior to beginning installation.

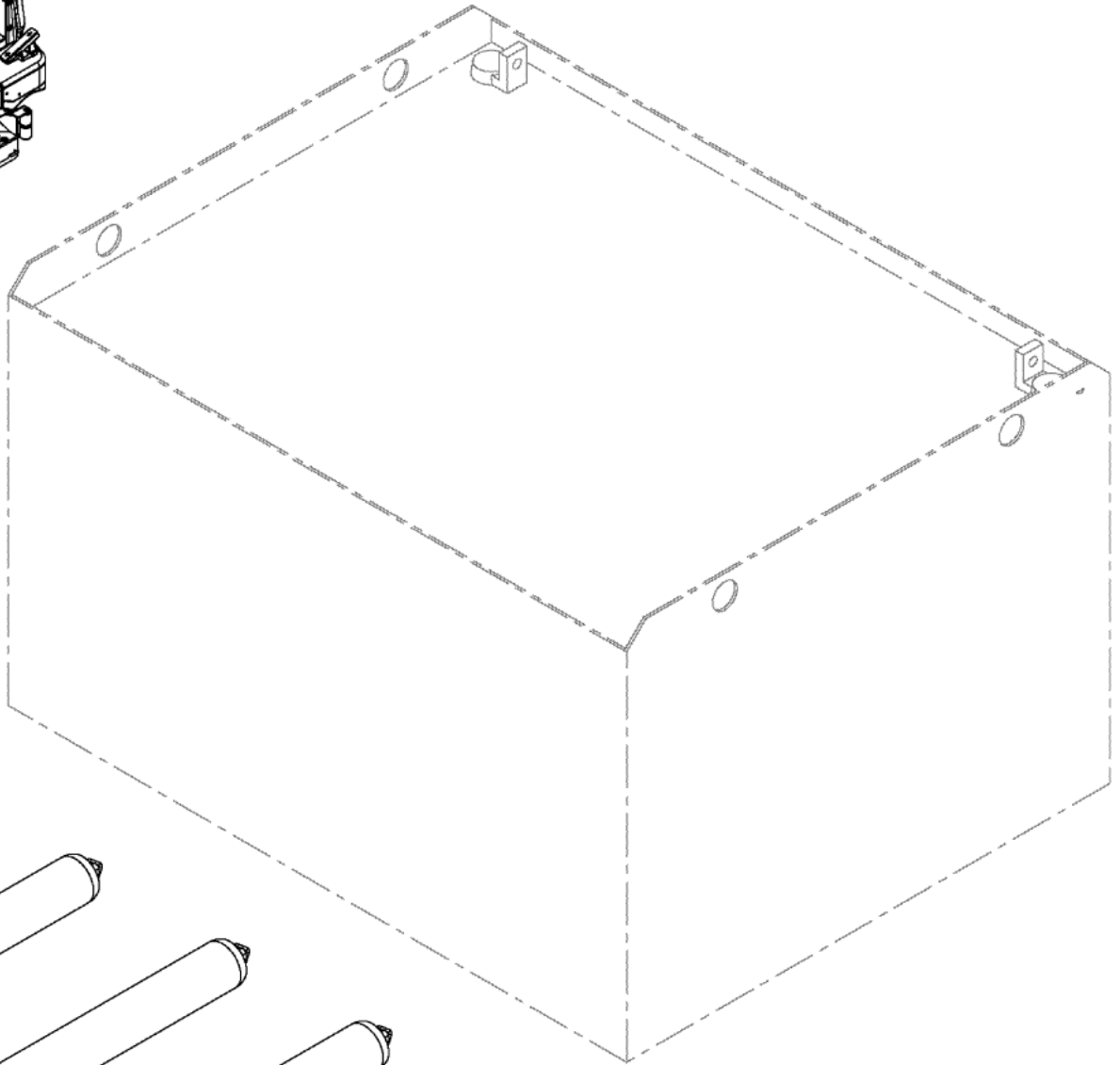
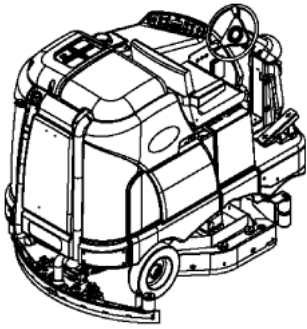
56413733 - Battery Kit, 480 A/H Roll Out

BR 1100S - 1300S

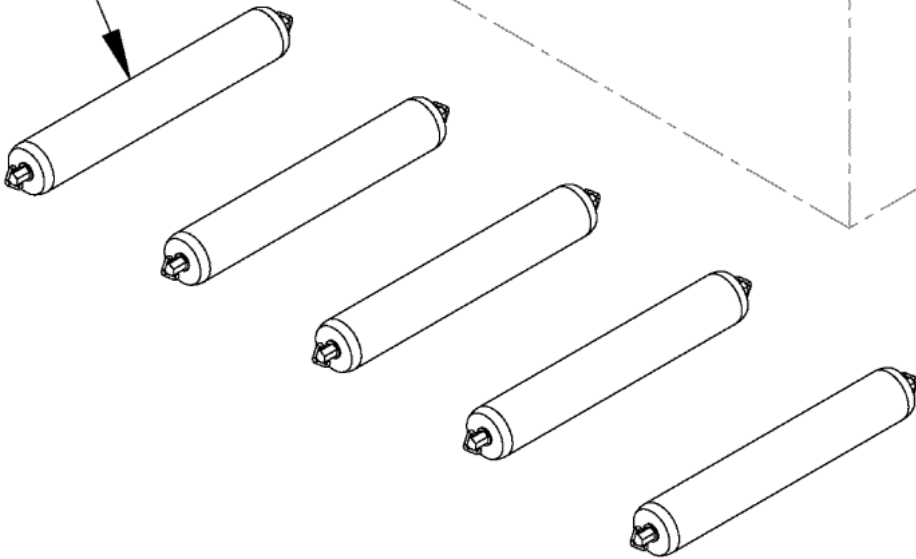
30-05-2011

Part List ID
IS56040883P5

105



1



56413733 - Battery Kit, 480 A/H Roll Out

BR 1100S - 1300S

30-05-2011

Part List ID
IS56040883P5

106

Pos	Part no.	Qty	Description		EAN
0	56040883	1	INSTRUCTION SHEET	NOT SHOWN	5711144014
0	56040883	1	INSTRUCTION SHEET	NOT SHOWN	5711144014
	56413733	1	KIT BATTERY 480AH ROLLOUT	5HR	5711144095
1	56413159	5	ROLLER		5711144093

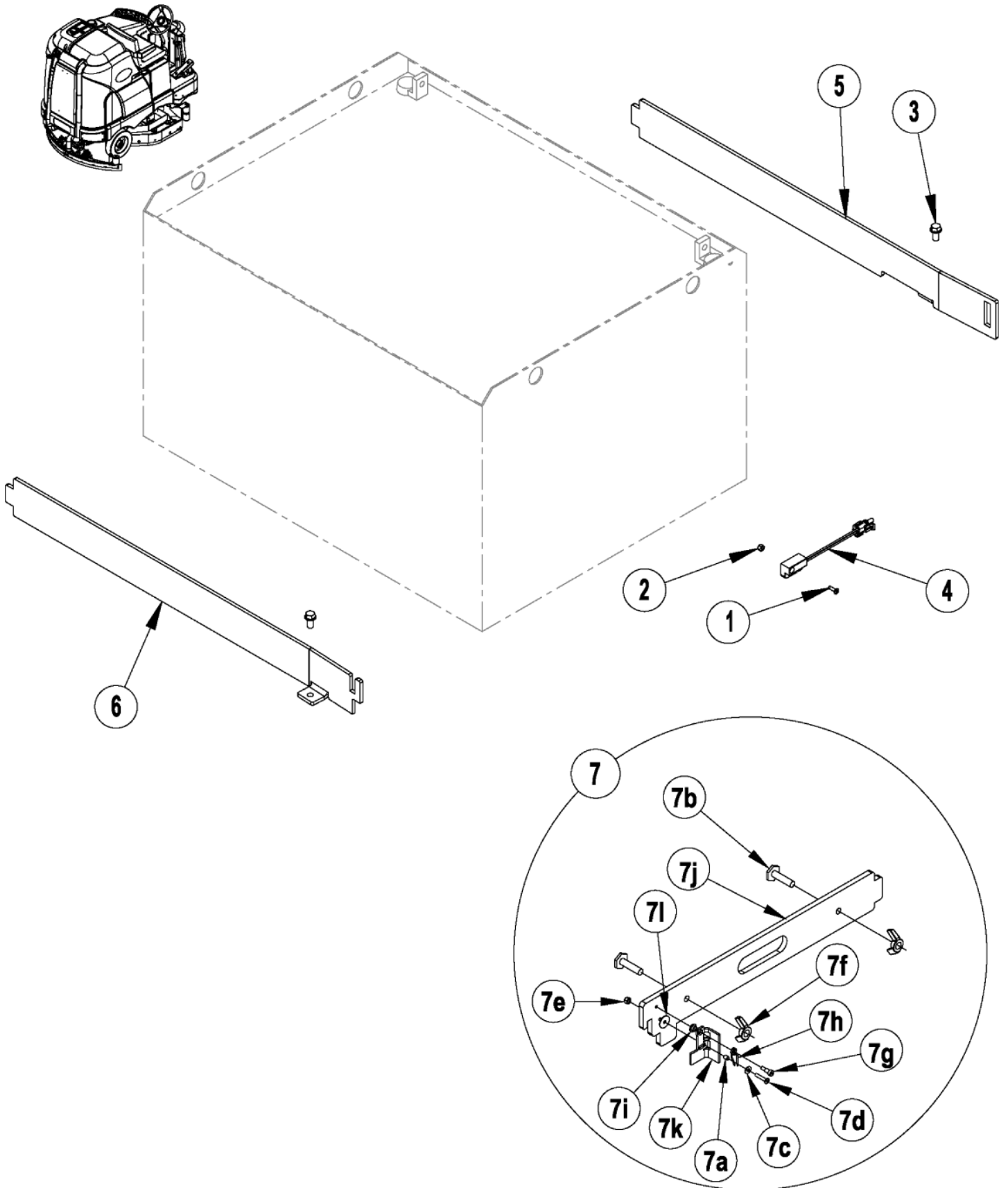
56413734 - Battery Kit, 480 A/H

BR 1100S - 1300S

30-05-2011

Part List ID
IS56040883P6

107



56413734 - Battery Kit, 480 A/H

BR 1100S - 1300S

30-05-2011

Part List ID
IS56040883P6

108

Pos	Part no.	Qty	Description		EAN
0	56040883	1	INSTRUCTION SHEET	NOT SHOWN	5711144014
0	56040883	1	INSTRUCTION SHEET	NOT SHOWN	5711144014
	56413734	1	KIT BATTERY 480AH	5HR	5711144095
1	56002124	1	SCREW10 24 X .62 PNH PH		5711144000
2	56002768	1	NUT HEX NYL LOC 10 24		5711144002
3	56003710	2	SCR HEX TYPE 1 3/8 16 X .75		5711144006
4	56305053	1	SENSOR PROXIMITY	S3	5711144045
5	56413255	1	GUIDE BATTERY FORWARD		5711144093
6	56413256	1	GUIDE BATTERY REAR		5711144093
7	56413720	1	PLATE ASSY BATTERY STOP WIDE		5711144095
7	56413720	1	PLATE ASSY BATTERY STOP WIDE		5711144095
7A	56369004	1	BUSHING CV82J		5711144067
7B	56413713	2	LEVELER 3/8 16		5711144095
7C	56001954	1	WSH FLT SAE 10		5711144000
7D	56002674	1	SCR PAN PHIL 10 24 X 1.00		5711144002
7E	56002768	1	NUT HEX NYL LOC 10 24		5711144002
7F	56009252	2	NUT WING SS 3/8 16		5711144008
7G	56003537	1	SCR SOC SHD .250X.38X10 24		5711144006
7H	56245060	1	SPRING TOR .38X2 FC486B		5711144034
7I	56303284	1	BEARING FL .375X.250X.188		5711144042
7J	56413320	1	PLATE BATTERY STOP		5711144094
7K	56413848	1	LATCH BATTERY STOP		5711144096
7L	56413875	1	WASHER TEFLON .21X.88X.045		5711144096

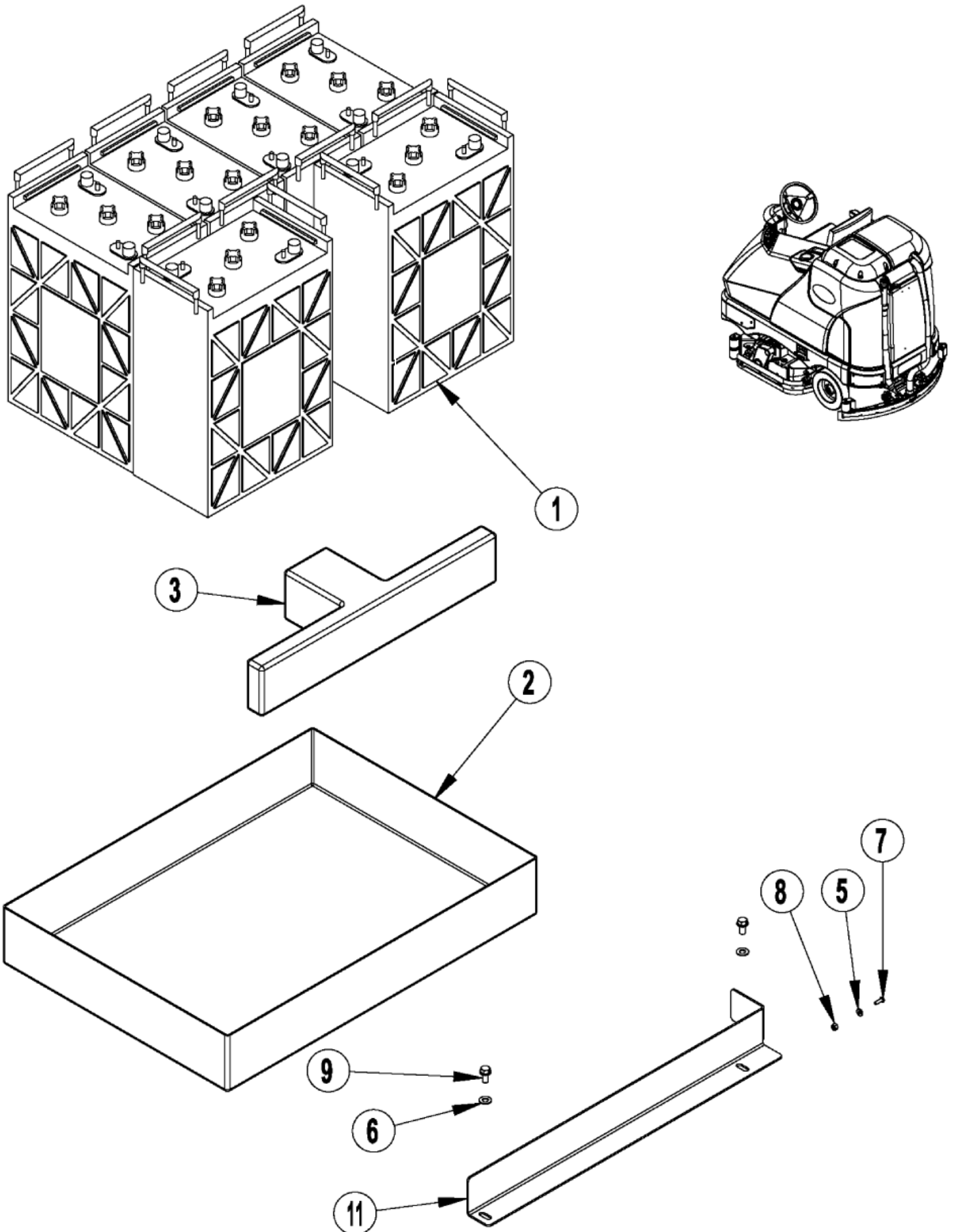
56413735 - Battery Kit, 395 A/H

BR 1100S - 1300S

30-05-2011

Part List ID
IS56040883P7

109



56413735 - Battery Kit, 395 A/H

BR 1100S - 1300S

30-05-2011

Part List ID
IS56040883P7

110

Pos	Part no.	Qty	Description		EAN
0	56040883	1	INSTRUCTION SHEET	NOT SHOWN	5711144014
0	56040883	1	INSTRUCTION SHEET	NOT SHOWN	5711144014
	56413735	1	KIT BATTERY 420AH	20HR	
1	56388582	6	BATTERY 6V 420AH WET		
2	56407271	1	BATTERY TRAY		5711144082
2	56407271	1	BATTERY TRAY		5711144082
3	56407358	1	SPACER BATTERY		5711144082
4	56409485	12	CABLE ASSY.1 X 15.00		5711144085
5	56001954	1	WSH FLT SAE 10		5711144000
6	56002063	2	WSH FLT SAE 3/8		5711144000
7	56002124	1	SCREW10 24 X .62 PNH PH		5711144000
8	56002768	1	NUT HEX NYL LOC 10 24		5711144002
9	56003710	2	SCR HEX TYPE 1 3/8 16 X .75		5711144006
10	56372673	12	BOOT BATTERY POST		5711144067
11	56413736	1	BRACKET BATTERY MOUNT		5711144095
12	56478246	12	CABLE TIE E00549 RE438BA		5711144124

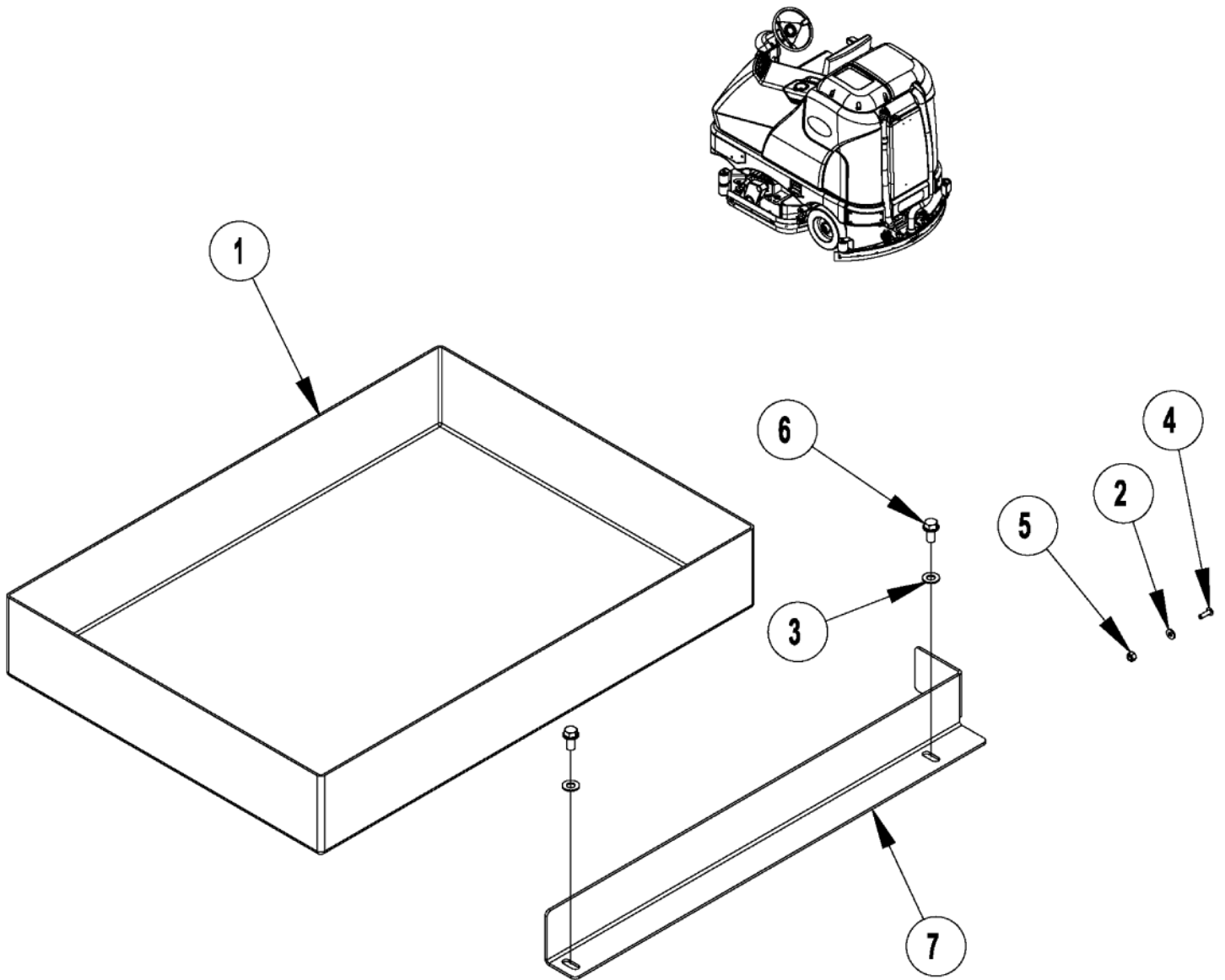
56413740 - Battery Kit, Tray

BR 1100S - 1300S

30-05-2011

Part List ID
IS56040883P8

111



56413740 - Battery Kit, Tray

BR 1100S - 1300S

30-05-2011

Part List ID
IS56040883P8

112

Pos	Part no.	Qty	Description		EAN
0	56040883	1	INSTRUCTION SHEET	NOT SHOWN	5711144014
0	56040883	1	INSTRUCTION SHEET	NOT SHOWN	5711144014
	56413740	1	KIT BATTERY TRAY		5711144095
	56413740	1	KIT BATTERY TRAY		5711144095
1	56407271	1	BATTERY TRAY		5711144082
1	56407271	1	BATTERY TRAY		5711144082
2	56001954	1	WSH FLT SAE 10		5711144000
3	56002063	2	WSH FLT SAE 3/8		5711144000
4	56002124	1	SCREW10 24 X .62 PNH PH		5711144000
5	56002768	1	NUT HEX NYL LOC 10 24		5711144002
6	56003710	2	SCR HEX TYPE 1 3/8 16 X .75		5711144006
7	56413736	1	BRACKET BATTERY MOUNT		5711144095

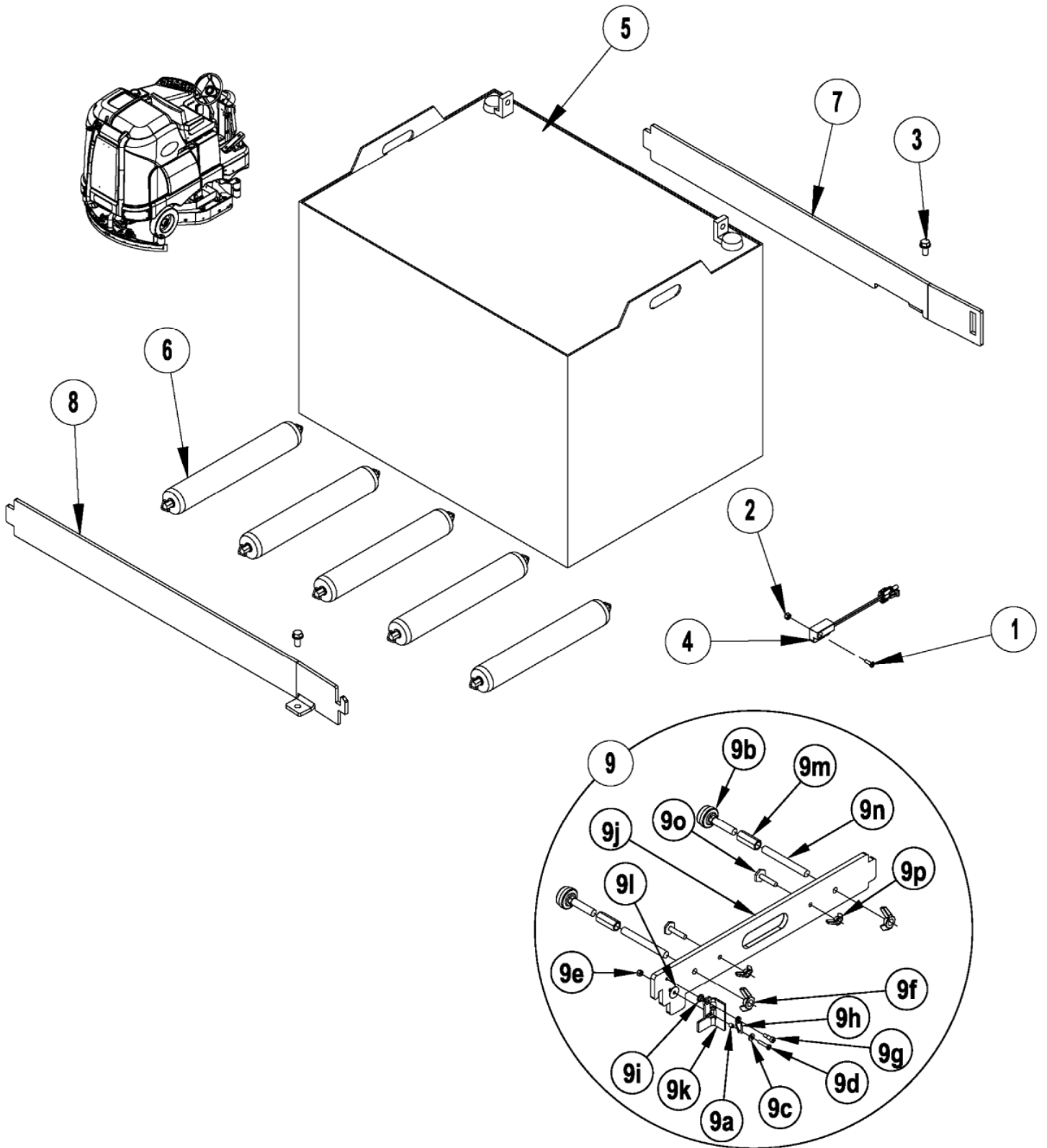
56413799,56380425, 56380485 - Battery Kit, 36V Ro

BR 1100S - 1300S

30-05-2011

Part List ID
IS56040883P9

113



56413799,56380425, 56380485 - Battery Kit, 36V Ro

BR 1100S - 1300S

30-05-2011

Part List ID
IS56040883P9

114

Pos	Part no.	Qty	Description		EAN
0	56040883	1	INSTRUCTION SHEET	NOT SHOWN	5711144014
0	56040883	1	INSTRUCTION SHEET	NOT SHOWN	5711144014
	56380425	1	KIT BATTERY RO NO BATT		5711144069
	56380425	1	KIT BATTERY RO NO BATT		5711144069
	56380485	1	KIT BATTERY R.O. NO BATT		5711144069
	56413799	1	KIT BATTERY 36V ROLL OUT		5711144096
1	56002124	1	SCREW10 24 X .62 PNH PH		5711144000
2	56002768	1	NUT HEX NYL LOC 10 24		5711144002
3	56003710	2	SCR HEX TYPE 1 3/8 16 X .75		5711144006
4	56305053	1	SENSOR PROXIMITY	S3	5711144045
5	56413899	1	BATTERY 36V	56413799 ONLY	5711144096
6	56413159	5	ROLLER		5711144093
7	56413255	1	GUIDE BATTERY FORWARD		5711144093
8	56413256	1	GUIDE BATTERY REAR		5711144093
9	56380484	1	PLATE ASM BATTERY STOP NARROW	56380485 ONLY	5711144069
9	56413719	1	PLATE ASSY BATTERY STOP NARROW		5711144095
9A	56369004	1	BUSHING CV82J		5711144067
9B	56449221	2	BUMPER 1.43 DIA. CV660N		5711144107
9C	56001954	1	WSH FLT SAE 10		5711144000
9D	56002674	1	SCR PAN PHIL 10 24 X 1.00		5711144002
9E	56002768	1	NUT HEX NYL LOC 10 24		5711144002
9F	56003289	2	NUT WING 1 1/2 13		5711144151
9G	56003537	1	SCR SOC SHD .250X.38X10 24		5711144006
9H	56245060	1	SPRING TOR .38X2 FC486B		5711144034
9I	56303284	1	BEARING FL .375X.250X.188		5711144042
9J	56413655	1	PLATE BATTERY STOP NARROW		5711144095
9K	56413848	1	LATCH BATTERY STOP		5711144096
9L	56413875	1	WASHER TEFLON .21X.88X.045		5711144096
9M	56003755	2	NUT HEX COUPLING 1/2 13		5711144007
9N	56413147	2	1/2 13 THREADED ROD		5711144093
9O	56413713	2	LEVELER 3/8 16	56380484 ONLY	5711144095
9P	56009252	2	NUT WING SS 3/8 16	56380484 ONLY	5711144008

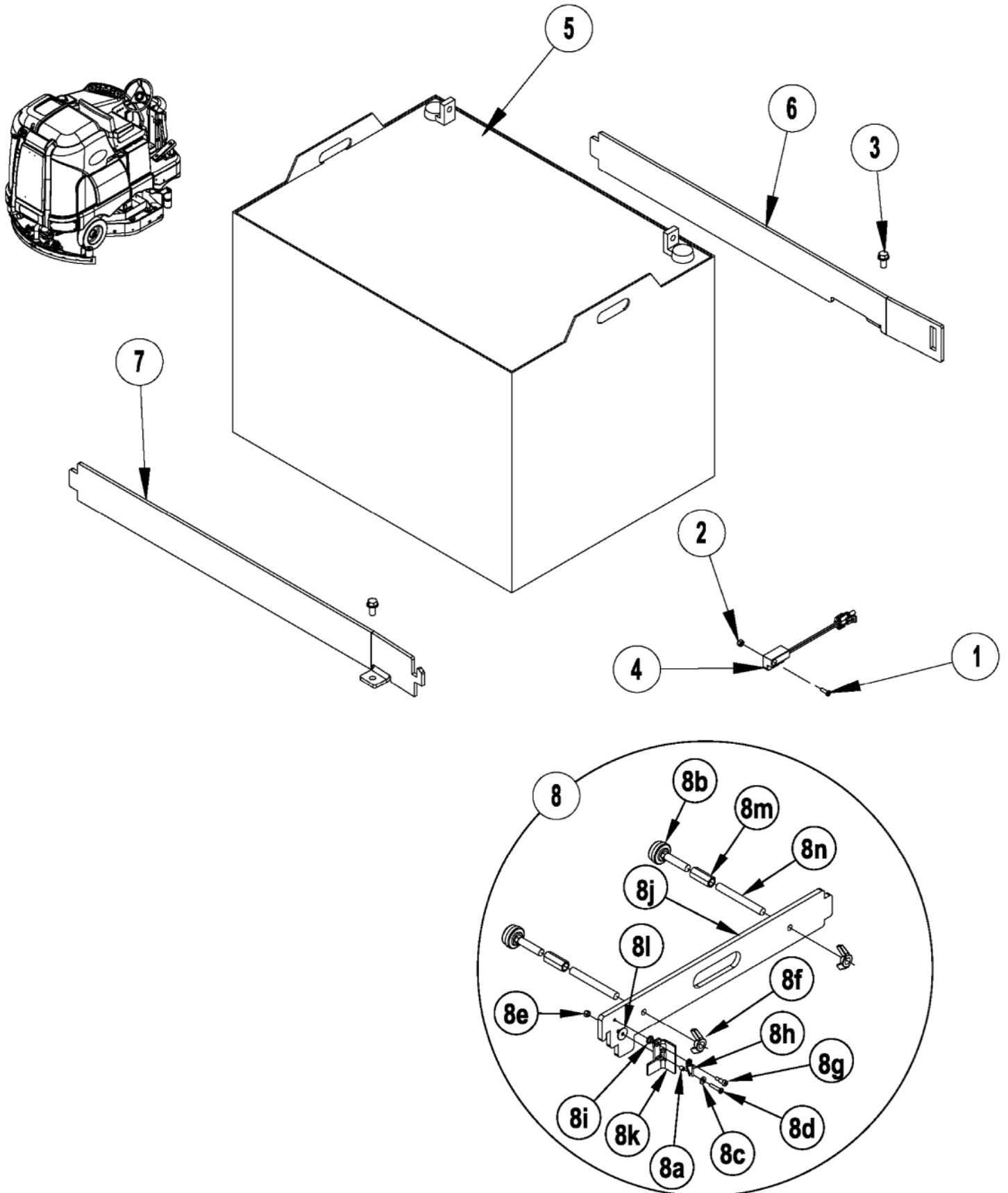
56413666 - Battery Kit, 36V

BR 1100S - 1300S

30-05-2011

Part List ID
IS56040883P10

115



56413666 - Battery Kit, 36V

BR 1100S - 1300S

30-05-2011

Part List ID
IS56040883P10

116

Pos	Part no.	Qty	Description		EAN
0	56040883	1	INSTRUCTION SHEET	NOT SHOWN	5711144014
0	56040883	1	INSTRUCTION SHEET	NOT SHOWN	5711144014
	56413666	1	KIT BATTERY 36V		5711144095
1	56002124	1	SCREW10 24 X .62 PNH PH		5711144000
2	56002768	1	NUT HEX NYL LOC 10 24		5711144002
3	56003710	2	SCR HEX TYPE 1 3/8 16 X .75		5711144006
4	56305053	1	SENSOR PROXIMITY		5711144045
5	56413899	1	BATTERY 36V		5711144096
6	56413255	1	GUIDE BATTERY FORWARD		5711144093
7	56413256	1	GUIDE BATTERY REAR		5711144093
8	56413719	1	PLATE ASSY BATTERY STOP NARROW		5711144095
8A	56369004	1	BUSHING CV82J		5711144067
8B	56449221	2	BUMPER 1.43 DIA. CV660N		5711144107
8C	56001954	1	WSH FLT SAE 10	10	5711144000
8D	56002674	1	SCR PAN PHIL 10 24 X 1.00		5711144002
8E	56002768	1	NUT HEX NYL LOC 10 24		5711144002
8F	56003289	2	NUT WING 1 1/2 13		5711144151
8G	56003537	1	SCR SOC SHD .250X.38X10 24		5711144006
8H	56245060	1	SPRING TOR .38X2 FC486B		5711144034
8I	56303284	1	BEARING FL .375X.250X.188		5711144042
8J	56413655	1	PLATE BATTERY STOP NARROW		5711144095
8K	56413848	1	LATCH BATTERY STOP		5711144096
8L	56413875	1	WASHER TEFLON .21X.88X.045		5711144096
8M	56003755	2	NUT HEX COUPLING 1/2 13		5711144007
8N	56413147	2	1/2 13 THREADED ROD		5711144093

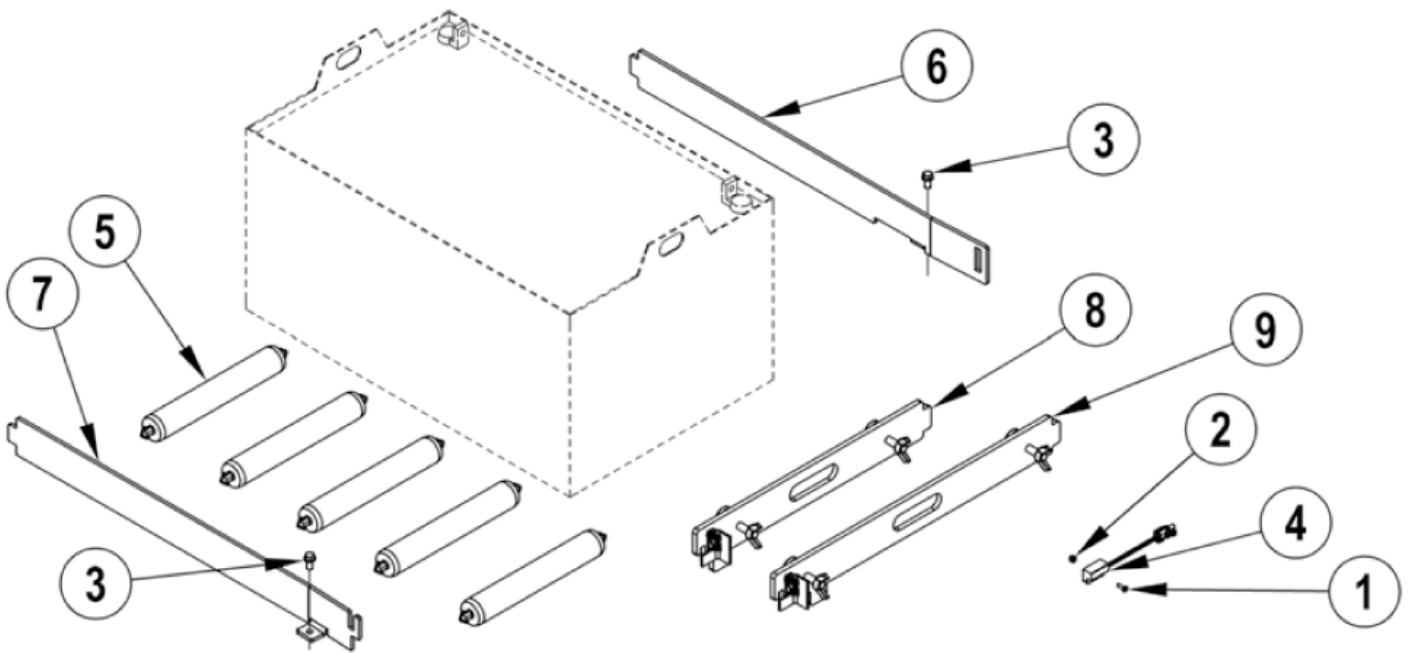
56413884 - Roll Out Kit, No Battery

BR 1100S - 1300S

30-05-2011

Part List ID
IS56040901

117



56413884 - Roll Out Kit, No Battery

BR 1100S - 1300S

30-05-2011

Part List ID
IS56040901

118

Pos	Part no.	Qty	Description	EAN
	56040901	1	INSTRUCTION SHEET	5711144015
1	56002124	1	SCREW10 24 X .62 PNH PH	5711144000
2	56002768	1	NUT HEX NYL LOC 10 24	5711144002
3	56003710	2	SCR HEX TYPE 1 3/8 16 X .75	5711144006
4	56305053	1	SENSOR PROXIMITY	5711144045
5	56413159	5	ROLLER	5711144093
6	56413255	1	GUIDE BATTERY FORWARD	5711144093
7	56413256	1	GUIDE BATTERY REAR	5711144093
8	56413719	1	PLATE ASSY BATTERY STOP NARROW	5711144095
9	56413720	1	PLATE ASSY BATTERY STOP WIDE	5711144095
9	56413720	1	PLATE ASSY BATTERY STOP WIDE	5711144095

NOTE: Refer to parts list form number 56042467 for individual replacement parts.

56109306 - Seat Belt Kit

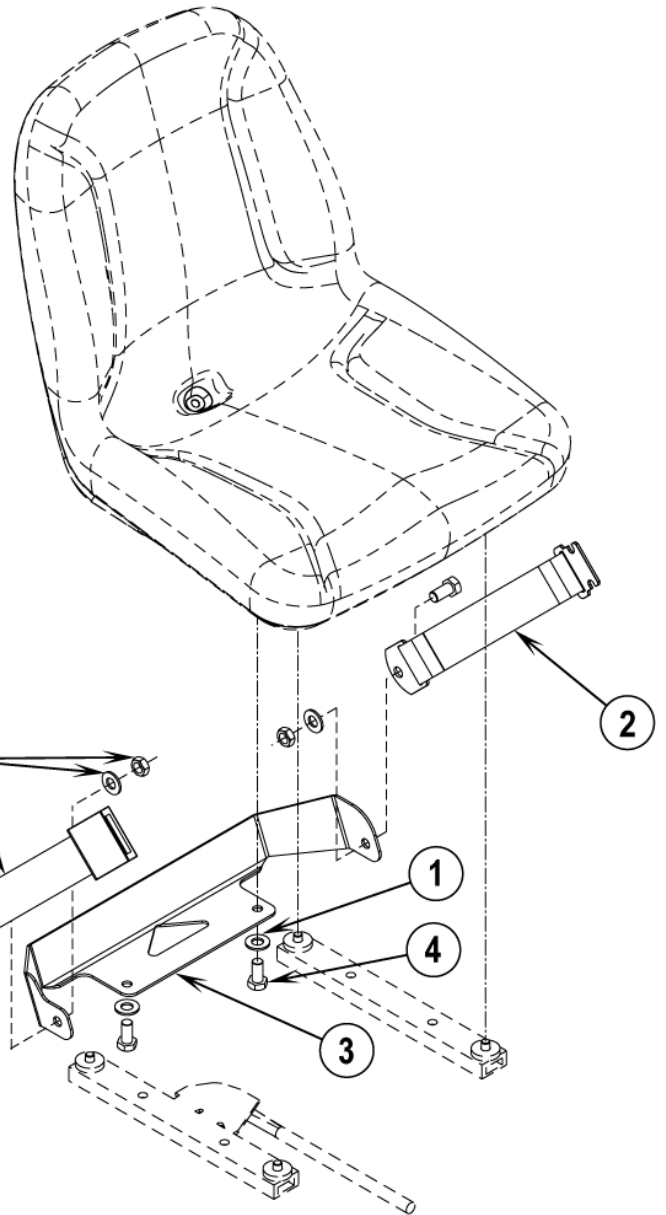
BR 1100S - 1300S

30-05-2011

Part List ID
IS56040955

119

1b



1a



56109306 - Seat Belt Kit

BR 1100S - 1300S

30-05-2011

Part List ID
IS56040955

120

Pos	Part no.	Qty	Description	EAN
	56040955	1	INSTRUCTION SHEET	5711144015
1	56001939	2	WSH FLT SAE 5/16	5711144000
2	56109306	1	SEAT BELT KIT INCLUDES HARDWARE	5711144020
3	56507886	1	BRACKET SEAT BELT MTG	5711144132
4	56001862	2	SCR HEX 5/16 18 X .50	5711144000
5	2-00-02312	2	LK WASHER 1/2 ID MED SEC ZN	5701715154

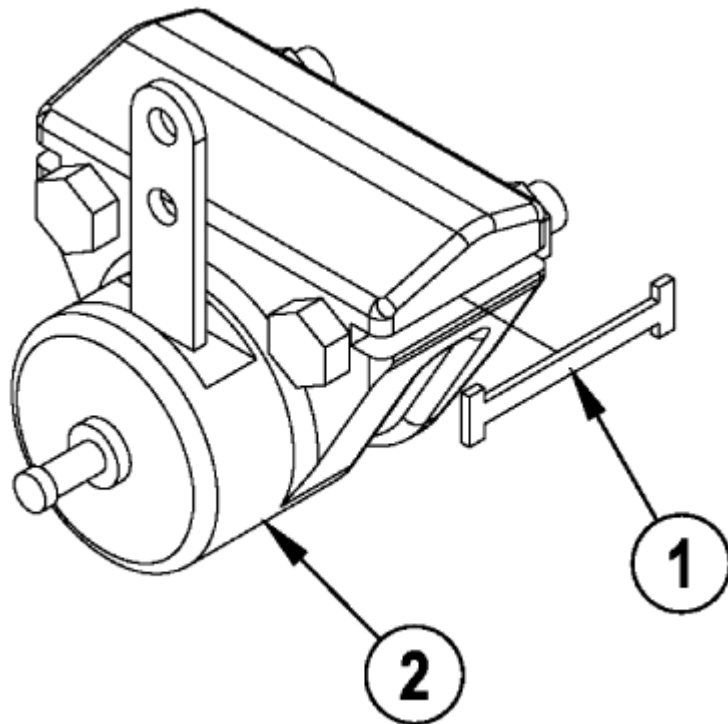
56413058 / 56413059 - Kit, Brake

BR 1100S - 1300S

30-05-2011

Part List ID
IS56040971

121



56413058 / 56413059 - Kit, Brake

BR 1100S - 1300S

30-05-2011

Part List ID
IS56040971

122

Pos	Part no.	Qty	Description	EAN
	56040971	1	INSTRUCTION SHEET	5711144015
1	56413060	1	BRAKE SHIM	5711144093
2	56413667	1	BRAKE CW	56413059 5711144095
2	56413668	1	BRAKE CCW	56413058 5711144095

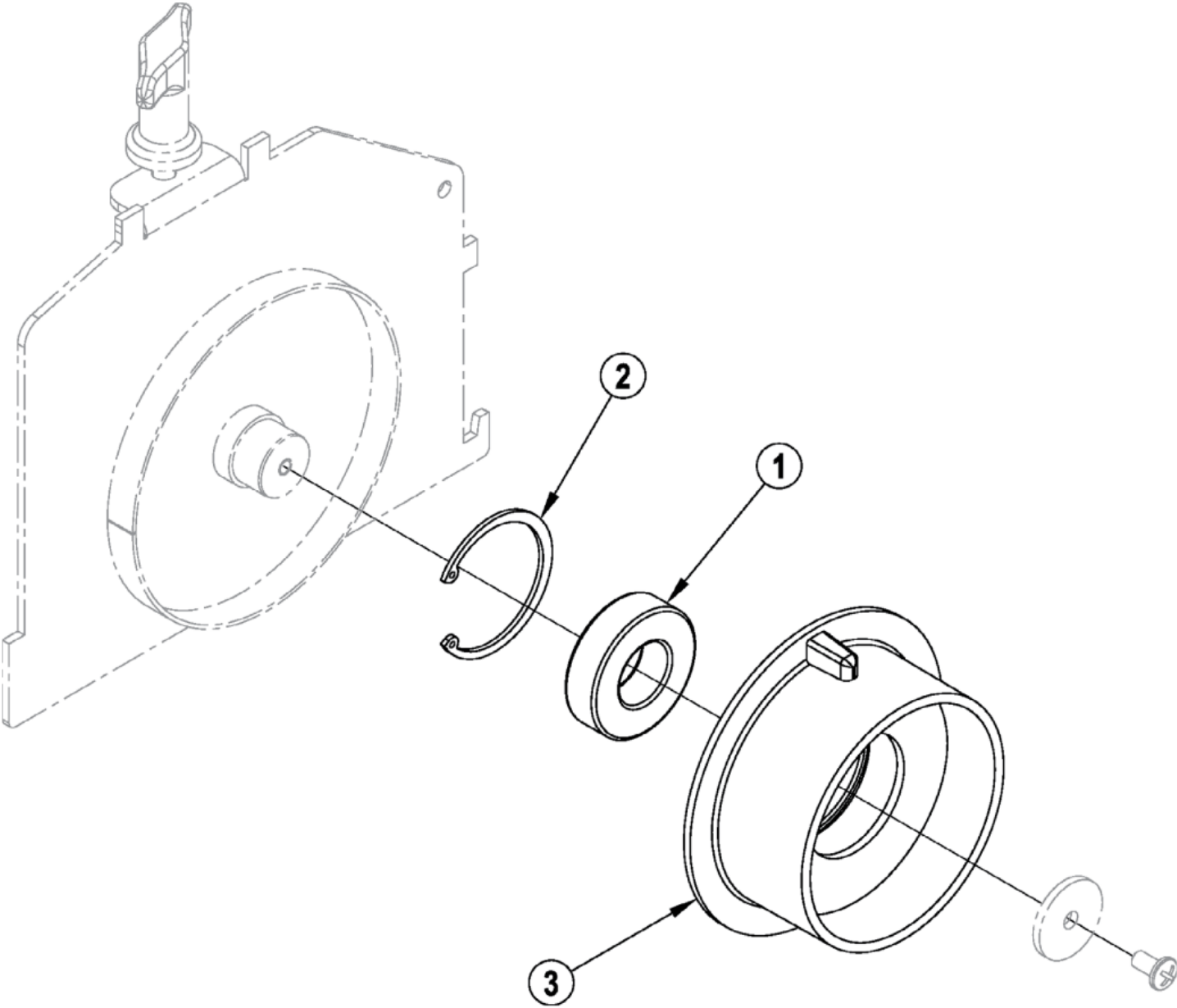
56414000 - Broom Idler Kit

BR 1100S - 1300S

30-05-2011

Part List ID
IS56040973

123



56414000 - Broom Idler Kit

BR 1100S - 1300S

30-05-2011

Part List ID
IS56040973

124

Pos	Part no.	Qty	Description	EAN
	56040973	1	INSTRUCTION SHEET BROOM DRIVE	5711144015
	56109687	1	IDLER BRUSH ASSY	5711144022
1	56479430	1	BEARING BALL .9843 RE470AG	5711144124
2	56003314	1	RING RET INT TYPE HO 2.047 DIA	5711144005
3	56109690	1	IDLER BRUSH	5711144022

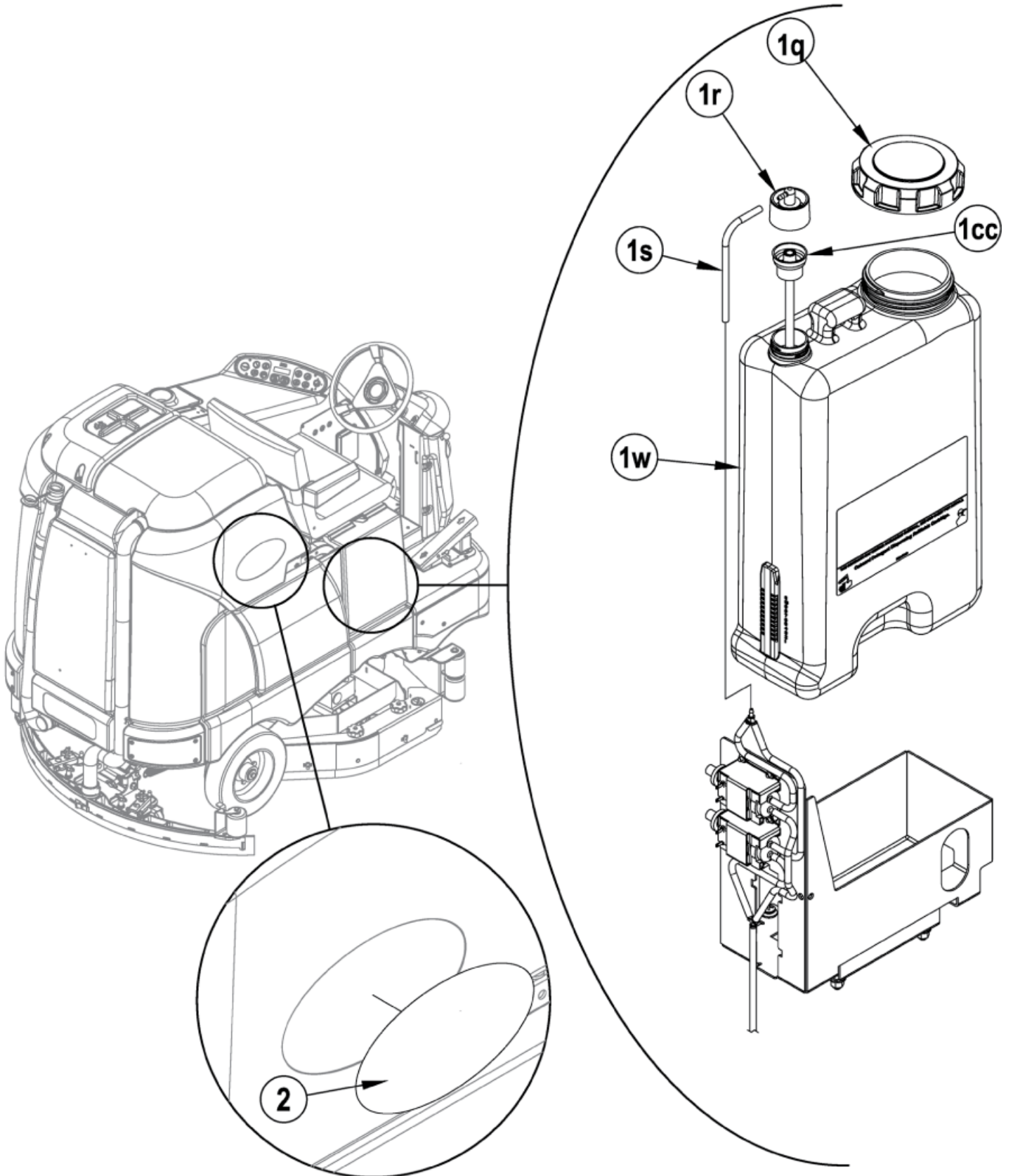
56381108 - Chemical Metering Kit-EU-EcoFlex

BR 1100S - 1300S

30-05-2011

Part List ID
IS56090036

125



56381108 - Chemical Metering Kit-EU-EcoFlex

BR 1100S - 1300S

30-05-2011

Part List ID

IS56090036

126

Pos	Part no.	Qty	Description		EAN
1	56381105	1	CHEMICAL METERING ASSEMBLY	SEE 56042498 FOR REPLACEMENT PARTS	5711144170
1	56381105	1	CHEMICAL METERING ASSEMBLY	SEE 56042498 FOR REPLACEMENT PARTS	5711144170
2	56381117	2	DECAL BR1100S ECOFLEX		5711144147
2	56381117	2	DECAL BR1100S ECOFLEX		5711144147
2	56381118	2	DECAL BR1300S ECOFLEX		5711144147
2	56381118	2	DECAL BR1300S ECOFLEX		5711144147

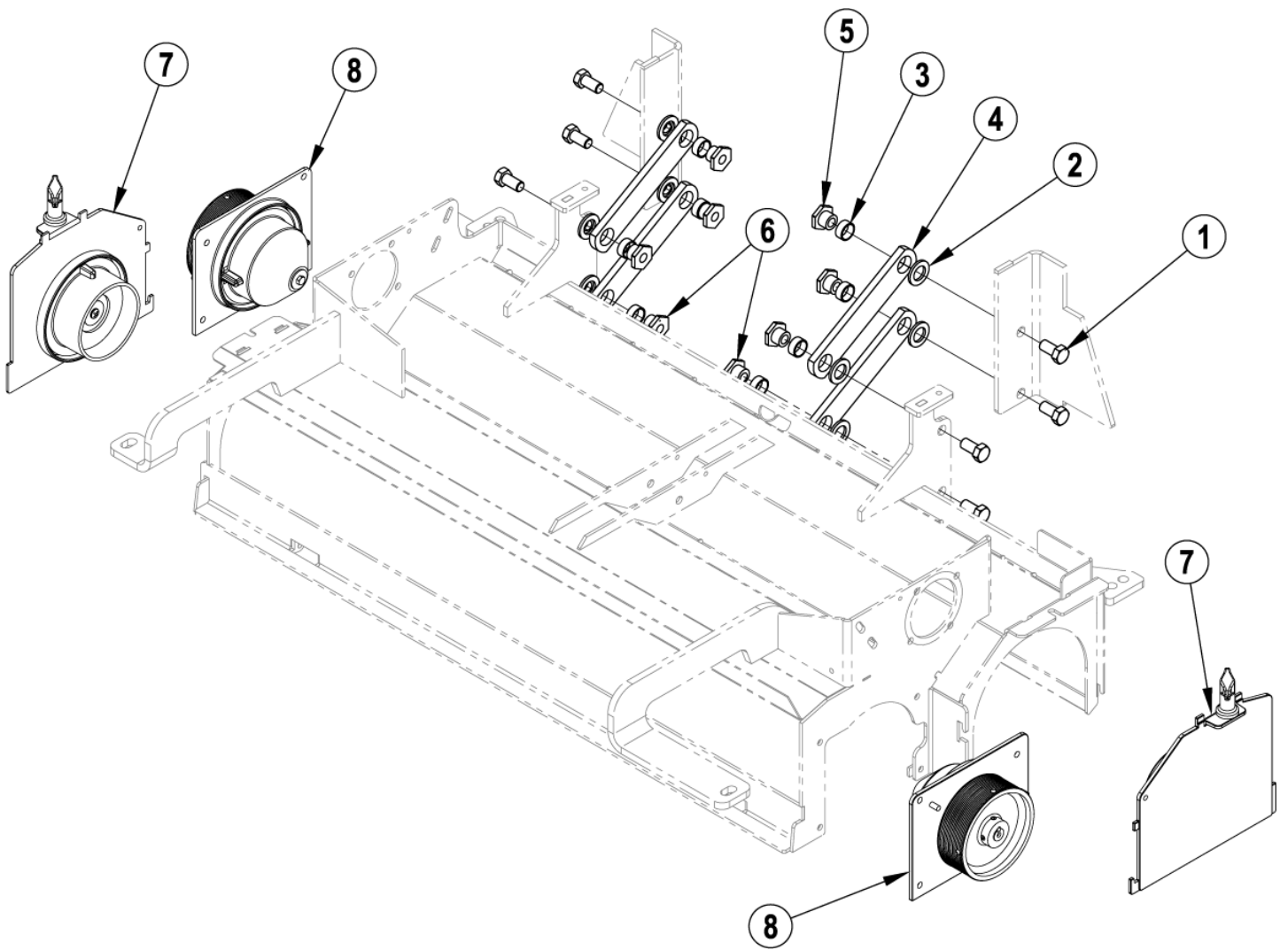
56380317 - Cylindrical Scrub Deck Service Kit

BR 1100S - 1300S

30-05-2011

Part List ID
IS56090072

127



56380317 - Cylindrical Scrub Deck Service Kit

BR 1100S - 1300S

30-05-2011

Part List ID

IS56090072

128

Pos	Part no.	Qty	Description	EAN
1	56003485	8	SCR HEX 1/2 20 X 1.00	5711144006
2	56009022	8	WSH FLT .752/.756X1.250X.125	5711144007
3	56380152	8	BEARING IGUS	5711144068
4	56380153	4	ARM PARALLEL 6 IN	5711144068
5	56380614	6	BUSHING 1/2 20 X 3/4 OD	5711144070
6	56380646	2	BUSHING CAM 1/2 20 3/4 OD	5711144070
7	56413269	2	BROOM IDLER ASSEMBLY	5711144093
7	56413269	2	BROOM IDLER ASSEMBLY	5711144093
8	56413275	2	BROOM DRIVE LUG ASSEMBLY	5711144093