

# BA 750 ST / 850 ST

---

Model:  
BA 750 ST  
BA 850 ST



Part List US-English

28-03-2011

# Table of Contents

BA 750 ST / 850 ST

<b>CHASSIS SYSTEM</b>	<b>3</b>
<b>CONTROL / ELECTRICAL SYSTEM-1</b>	<b>6</b>
<b>CONTROL / ELECTRICAL SYSTEM-2</b>	<b>8</b>
<b>HANDLE PADDLE ASSEMBLY</b>	<b>11</b>
<b>DECAL SYSTEM</b>	<b>13</b>
<b>RECOVERY SYSTEM</b>	<b>15</b>
<b>SCRUB SYSTEM</b>	<b>17</b>
<b>SCRUB SYSTEM SKIRTS - BA 750ST</b>	<b>21</b>
<b>SCRUB SYSTEM SKIRTS - BA 850ST</b>	<b>23</b>
<b>SOLUTION SYSTEM</b>	<b>25</b>
<b>SQUEEGEE SYSTEM</b>	<b>28</b>
<b>SQUEEGEE ASSEMBLY-CMAX 28ST/ BA 750ST</b>	<b>30</b>
<b>SQUEEGEE ASSEMBLY- BA 850ST</b>	<b>32</b>
<b>WIRING DIAGRAM</b>	<b>34</b>
<b>BRUSH CLICK-OFF KIT</b>	<b>36</b>
<b>PARKING BRAKE KIT</b>	<b>38</b>
<b>INDUSTRIAL BUMPER KIT</b>	<b>40</b>
<b>Optional kits and accessories</b>	<b>42</b>
<b>BRUSH / DISC SELECTOR GUIDE</b>	<b>44</b>
<b>56396302 - Parking Brake Kit</b>	<b>46</b>
<b>56396302 - Parking Brake Kit</b>	<b>48</b>
<b>56397450 - Hose / Wand Kit</b>	<b>50</b>
<b>56396499 - Actuator Wire Kit</b>	<b>52</b>

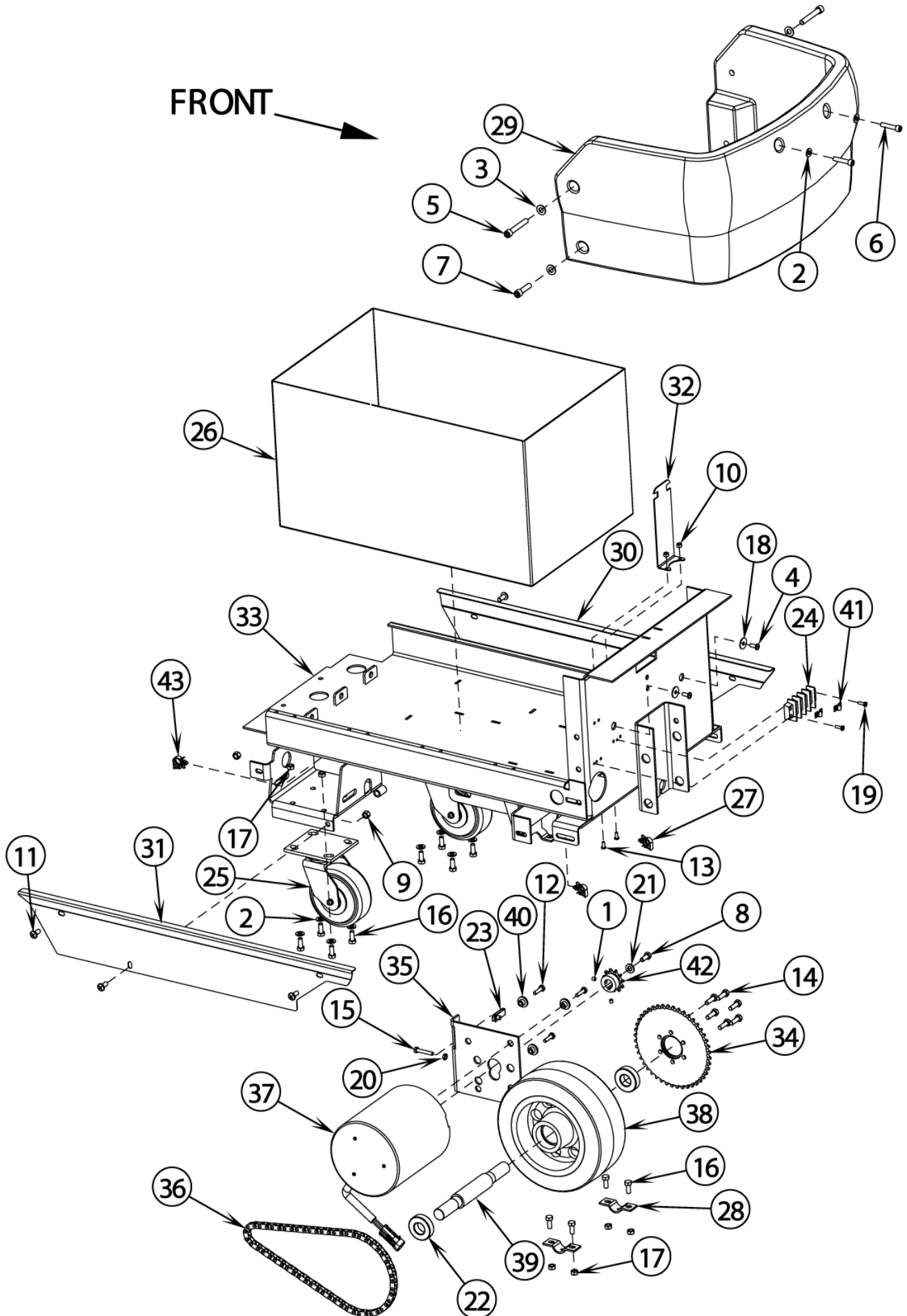
# CHASSIS SYSTEM

BA 750 ST / 850 ST

28-03-2011

Part List ID  
E11612

3



# CHASSIS SYSTEM

BA 750 ST / 850 ST

28-03-2011

Part List ID

E11612

4

Pos	Part no.	Qty	Description		EAN
0	56396301	1	KIT BRUSH CLICK OFF 24V	All models - Optional	5711144078
0	56396302	1	KIT PARKING BRAKE	All models - Optional	
1	56001841	2	SCR SOC SET LOC 1/4 20 X .25		5711144000
2	56001939	10	WSH FLT SAE 5/16		5711144000
3	56002063	4	WSH FLT SAE 3/8		5711144000
4	56002066	2	SCR PAN PHIL 1/4 20 X .62		5711144000
5	56002196	2	SCR SOC HD 3/8 16 x 2.50		5711144001
6	56002201	2	SCR SOC HD 5/16 18 X 1.50		5711144001
7	56002316	2	SCR SOC HD 3/8 16 X 1.50		5711144001
8	56002667	1	SCR HEX 5/16 18 X .75		5711144002
9	56002701	6	NUT HEX NYL LOC 5/16 18		5711144002
10	56002832	2	NUT HEX NYL LOC THIN 10 24		5711144002
11	56002793	6	SCR PAN PHIL 5/16 18 X .75		5711144002
12	56002883	3	SCR HEX SS 1/4 20 X 1.00		5711144002
13	56002900	2	SCR PAN PHIL SS 10 24 X .50		5711144003
14	56003073	6	SCR HEX LOC 5/16 18 X 1.00		5711144003
15	56003125	1	SCR HEX THD/HD SS 1/4 20X1.50		5711144004
16	56003179	12	SCR HEX THD/HD M8 1.25X20MM		5711144004
17	56003389	12	NUT HEX NYL LOC M8X1.25		5711144005
18	56009002	2	WASHER FLAT .266X.906X.060		5711144007
19	56009100	2	SCR PANPHILTHD BLK 10 24X.62		5711144008
20	56009087	1	NUT HEX JAM 1/4 20		5711144008
21	56009214	1	WSH FLT .406X.750X.090		5711144008
22	56479430	2	BEARING BALL .9843 RE470AG		5711144124
23	56009289	1	NUT U MULTI THREAD 1/4 20		5711144009
24	56026111	1	TERMINAL BLOCK 50 AMP		5711144013
25	56055658	2	CASTER SWIVEL 5.0 DIA 700 LB		5711144017
26	56056727	1	BOX BATT MACHINED 27 AUTO		5711144017
27	56386407	2	CLIP E00360		5711144071
28	56396039	2	CLAMP AXLE		5711144077
29	56396083	1	PANEL FRONT	BA 750ST	5711144077
29	56396084	1	PANEL FRONT	BA 850ST	5711144077
30	56396115	1	PANEL LEFT		5711144077
31	56396118	1	PANEL RIGHT		5711144077
32	56396200	1	BRACKET VAC HOSE		5711144078
33	56396263	1	WELDMENT UPPER CHASSIS		5711144078
34	56396022	1	SPROCKET		5711144077
35	56396267	1	BRACKET TENSION		5711144078
36	56396276	1	40 CHAIN E00239		5711144078
37	56396311	1	MOTOR 24V DC 1/2HP		5711144078
37	56397139	4	CARBON BRUSH SET OF 4	Not shown	5711144079
38	56396350	1	WHEEL 10.00 X 4.00		5711144078

# CHASSIS SYSTEM

BA 750 ST / 850 ST

28-03-2011

Part List ID

E11612

5

Pos	Part no.	Qty	Description	EAN
39	56396351	1	AXLE	5711144078
40	56397085	3	BUSHING	5711144079
41	56397184	2	PLATE JUMPER	5711144079
42	56741122	1	SPROCKET CHAIN	5711144144
43	56900756	2	CLIP E00360	5711144146

# CONTROL / ELECTRICAL SYSTEM-1

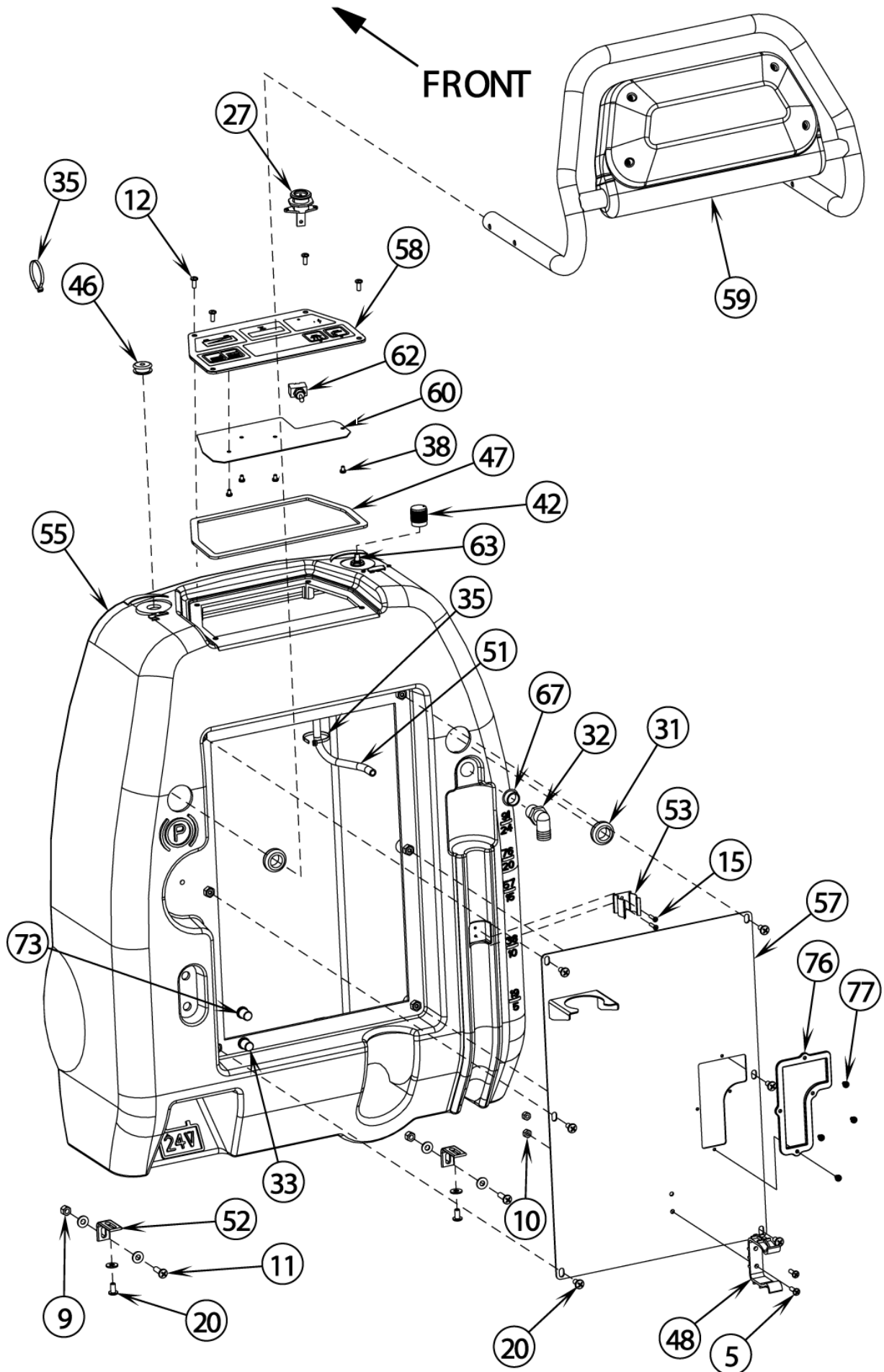
BA 750 ST / 850 ST

28-03-2011

Part List ID

E11614

6



# CONTROL / ELECTRICAL SYSTEM-1

BA 750 ST / 850 ST

28-03-2011

Part List ID

E11614

7

Pos	Part no.	Qty	Description	EAN
5	56002124	2	SCREW10 24 X .62 PNH PH	5711144000
9	56002708	5	NUT HEX NYL LOC 1/4 20	5711144002
10	56002832	2	NUT HEX NYL LOC THIN 10 24	5711144002
11	56001821	2	SCR HEX 1/4 20 X .88	5711144000
12	56002831	4	SCR PAN PHIL BLK 10 24 X .50	5711144002
15	56003197	2	SCR PAN PHIL PLASTITE 6 18X.62	5711144004
20	56009069	12	SCR PAN PHIL LOC 1/4 20X.50	5711144008
27	56393325	1	BRACKET KEYLOCK	5711144075
27	56393415	1	KEY REPLACEMENT	Not shown 5711144075
31	56418199	2	GROMMET	5711144100
32	56456802	1	ELBOW 3/4 X 3/4 E00037	5711144113
33	56459369	1	BOOT RESET BUTTON E00586	5711144115
35	56478246	1	CABLE TIE E00549 RE438BA	5711144124
38	56009386	4	SCR PAN HD METRIC BL PH M4X6	5711144009
42	56056596	1	KNOB PLASTIC BLACK	5711144017
46	56396149	1	GROMMET	5711144077
47	56396151	1	GASKET	5711144077
48	56396199	1	CLAMP PLASTIC	5711144078
51	56396204	1	HOSE PVC .25X48.0	5711144078
52	56396218	2	BRACKET PANEL	5711144078
53	56396252	1	CLIP SPRING	5711144078
55	56396281	1	BACK PANEL	5711144078
57	56396288	1	WELDMENT ELEC COVER	TSBUS2002-830 5711144078
58	56396297	1	DISPLAY PANEL ASSEMBLY	5711144078
59	56396298	1	PADDLE HANDLE ASSY	5711144078
60	56396300	1	CONTROL PCB ASSEMBLY	TSBUS2004-870 5711144078
62	56396305	1	SWITCH SPST TOGGLE	Main 5711144078
63	56397123	1	POTENTIOMETER 25K	Speed Limit 5711144079
67	56900041	1	PLUG CAP E00046	5711144145
73	56459367	1	BOOT RESET BUTTON E00585	5711144115
76	56396331	1	WEAR STRIP PLASTIC	5711144078
77	56009051	4	SCR PAN PHIL THD FORM 8 32X.38	5711144007





# CONTROL / ELECTRICAL SYSTEM-2

BA 750 ST / 850 ST

28-03-2011

Part List ID

E11616

9

Pos	Part no.	Qty	Description	EAN
1	56001832	1	SCR FLT PHIL 1/4 20 X 1.00	5711144000
2	56001833	2	SCR HEX 1/4 20 X 1.50	5711144000
3	56001967	4	SCR HEX 1/4 20 X 1.75	5711144000
4	56002035	6	SCR HEX 5/16 18 X .62	5711144000
6	56002462	7	SCR PAN PHIL 1/4 20 X .38	5711144001
7	56002708	3	NUT HEX NYL LOC 1/4 20	5711144002
9	56002708	5	NUT HEX NYL LOC 1/4 20	5711144002
13	56002840	2	NUT HEX NYL LOC THIN 1/4 20	5711144002
14	56002859	10	WSH FLT SAE SS 1/4	5711144002
16	56003266	2	RING RET EXT TYPE E	5711144004
17	56003335	1	SCR HEX LOC SS 5/16 18 X .88	5711144005
18	56009002	3	WASHER FLAT .266X.906X.060	5711144007
19	56009020	2	STUD 1/4 20 X .88	5711144007
20	56009069	12	SCR PAN PHIL LOC 1/4 20X.50	5711144008
21	56009122	6	WSH FLT .344X.938X.125	5711144008
22	56009203	1	STUD 1/4 20X1.31	5711144008
23	56250414	2	BEARING FLANGE .752FA1J E00201	5711144035
24	56262531	1	GROMMET E00059	5711144036
25	56364527	1	KNOB 1.62X5/16 18 CA331 1	5711144066
26	56372673	8	BOOT BATTERY POST	Not shown 5711144067
28	56412089	1	FUSE 150 AMP	5711144091
29	56412179	1	CONTACTOR 24 VDC	Vac Motor 5711144091
30	56416445	3	CABLE ASSY 4 AWG	Battery Interconnect / not shown 5711144098
34	56469858	3	INSULATED STANDOFF	5711144122
36	56478523	2	CABLE TIE E00549	5711144124
37	56009034	2	SCR PAN PHIL THD FORM 8 32X.88	5711144007
39	56324023	1	SPEED CONTROLLER	5711144063
40	56026198	1	CIRCUIT BREAKER 30 AMP	Wheel Drive 5711144013
41	56387328	1	CIRCUIT BREAKER 5A	Controls 5711144071
43	56057428	2	SPACER ALUMINUM	5711144018
44	56212035	1	LIFT LEVER WELDMENT	5711144032
45	56212190	3	CLIP CONDUIT E00360	5711144033
49	56396202	1	CABLE ASSEMBLY	TSBUS2003-841 . Connected to the machine 5711144078
50	56100621	1	CONNECTOR HSG. 24V	Not shown 5711144018
50	56100686	2	CONTACT 1 AWG	Not shown 5711144018
50	56396203	1	CABLE ASSEMBLY	Connected to the machine 5711144078
54	56396279	1	WELDMENT BACK PANEL ST	5711144078
56	56396283	1	HARNESS MAIN	Not shown - TSBUS2004-870 5711144078
61	56396304	1	CABLE ASSY 6 AWG X 11.0	Not shown 5711144078
64	56397189	1	SPACER	5711144080
65	56412179	1	CONTACTOR 24 VDC	Brush Motor 5711144091

# CONTROL / ELECTRICAL SYSTEM-2

BA 750 ST / 850 ST

28-03-2011

Part List ID

E11616

10

Pos	Part no.	Qty	Description	EAN
66	56397513	1	WELDMENT LIFT SHAFT	5711144080
67	56002962	1	SCR SOC SHD.38X.62X5/16 18	5711144003
68	56002856	1	NUT HEX NYL LOC SS 5/16 18	5711144002
69	56397532	1	LINK SQUEEGEE LIFT	5711144080
70	56003464	1	SCR HEX SS M8 1.25 X 60MM	5711144005
71	56397286	2	SPACER	5711144080
72	56003405	1	NUT HEX NYL LOC SS M8X1.25	5711144005
73	56396324	1	FLAP RUBBER	5711144078
74	56212241	4	CLIP PANEL	5711144033
75	56323560	1	BUTTON PLUG .500 E00046	5711144063
76	56478246	8	CABLE TIE E00549 RE438BA	5711144124

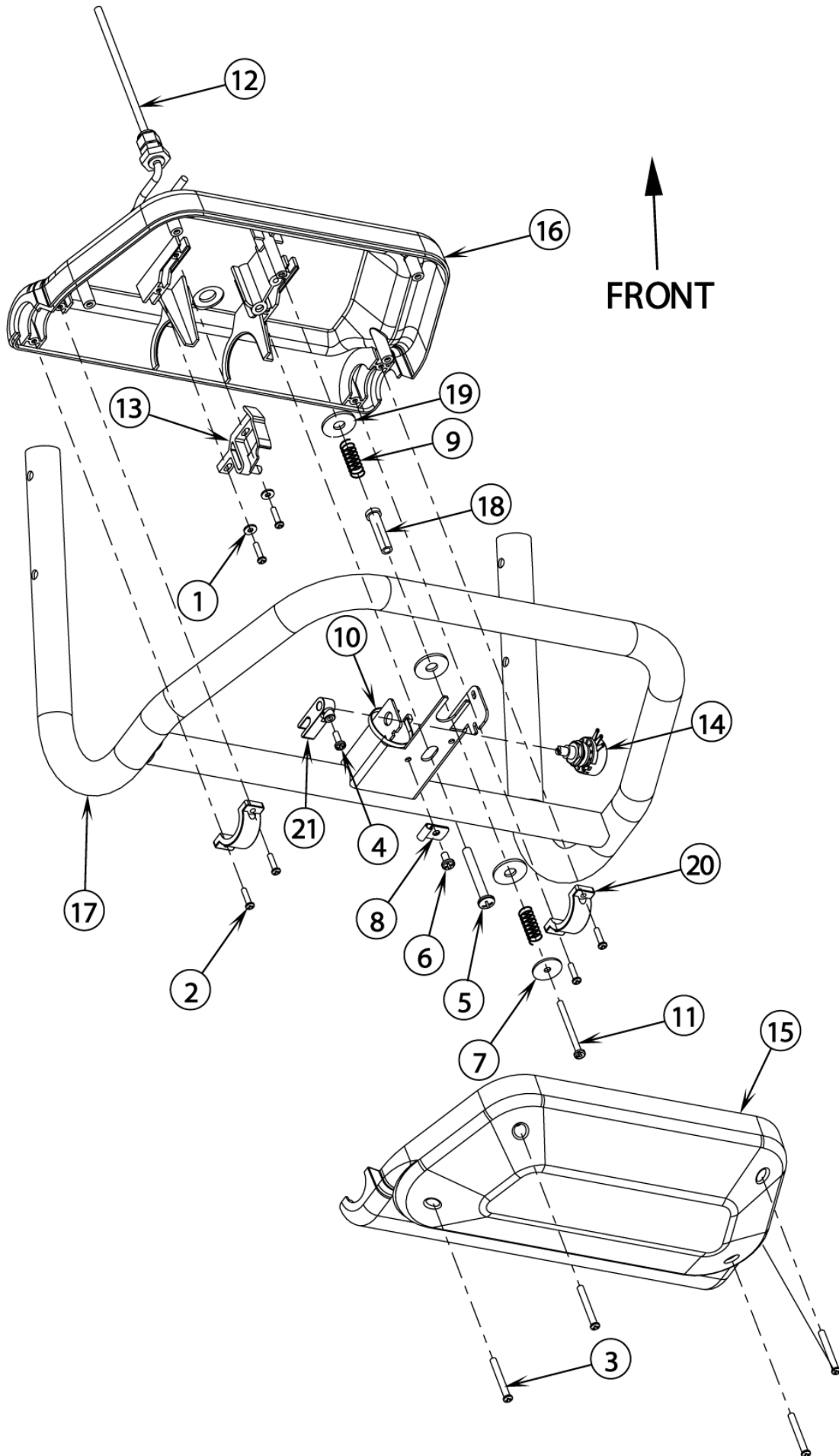
# HANDLE PADDLE ASSEMBLY

BA 750 ST / 850 ST

28-03-2011

Part List ID  
E11618

11



# HANDLE PADDLE ASSEMBLY

BA 750 ST / 850 ST

28-03-2011

Part List ID

E11618

12

Pos	Part no.	Qty	Description		EAN
0	56396298	1	PADDLE HANDLE ASSY	Pos. 1-21	5711144078
1	56002006	2	WSH FLT SAE 6		5711144000
2	56003197	6	SCR PAN PHIL PLASTITE 6 18X.62		5711144004
3	56003199	4	SCR PAN PHIL PLASTITE 8 15X1.5		5711144004
4	56003354	1	SCR PAN PHIL M4 0.7 X 12 MM		5711144005
5	56003527	1	SCR PAN PHIL PLAS 1/4 10X2.0		5711144006
6	56009030	1	SCR PAN PHIL THD FOM 10 24X.38		5711144007
7	56009096	1	WSH FLT .193X.875X.060		5711144008
8	56220507	1	CLAMP CABLE .187 E00129		5711144033
9	L08812343	2	SPRING.DRIVE CONTROL		5711144018
10	56478246	1	CABLE TIE E00549 RE438BA		5711144124
11	56009287	1	SCR PAN PHIL TYPE B 8 x 2.00		5711144009
12	56396299	1	HARNESS HANDLE		5711144078
13	56397015	1	CAM CONTROLLER		5711144079
14	56397029	1	POTENTIOMETER 5K		5711144079
15	56397030	1	PADDLE FRONT MOLDED		5711144079
16	56397031	1	PADDLE BACK MOLDED		5711144079
17	56397034	1	WELDMENT HANDLE		5711144079
18	56397109	1	SLEEVE		5711144079
19	56397170	3	WSH PLASTIC		5711144079
20	56397171	2	CLAMP		5711144079
21	56397172	1	POTENTIOMETER FORK		5711144079

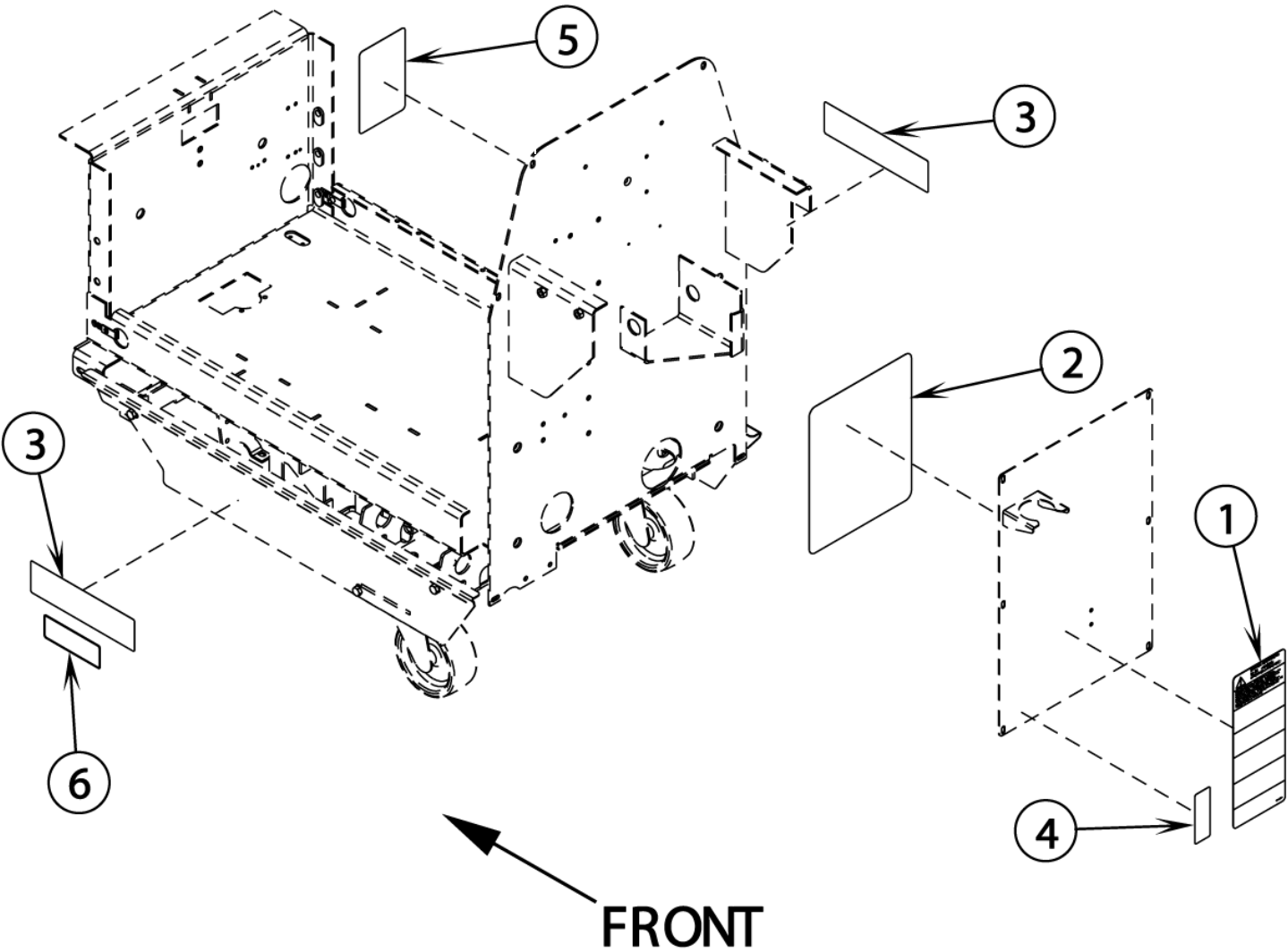
# DECAL SYSTEM

BA 750 ST / 850 ST

28-03-2011

Part List ID  
E116110

13



# DECAL SYSTEM

BA 750 ST / 850 ST

28-03-2011

Part List ID

E116110

14

Pos	Part no.	Qty	Description	EAN
1	56014601	1	DECAL CAUTION	5711144009
2	56015048	1	DECAL ELECTRICAL SCHEMATIC	5711144009
3	56016685	2	DECAL BA750ST	5711144012
3	56016686	2	DECAL BA850ST	5711144012
4	56015065	1	DECAL CIRCUIT BREAKER	5711144009
5	56016486	1	DECAL BATTERY WIRING	5711144011
6	56015254	1	DECAL ECO SOLUTION	

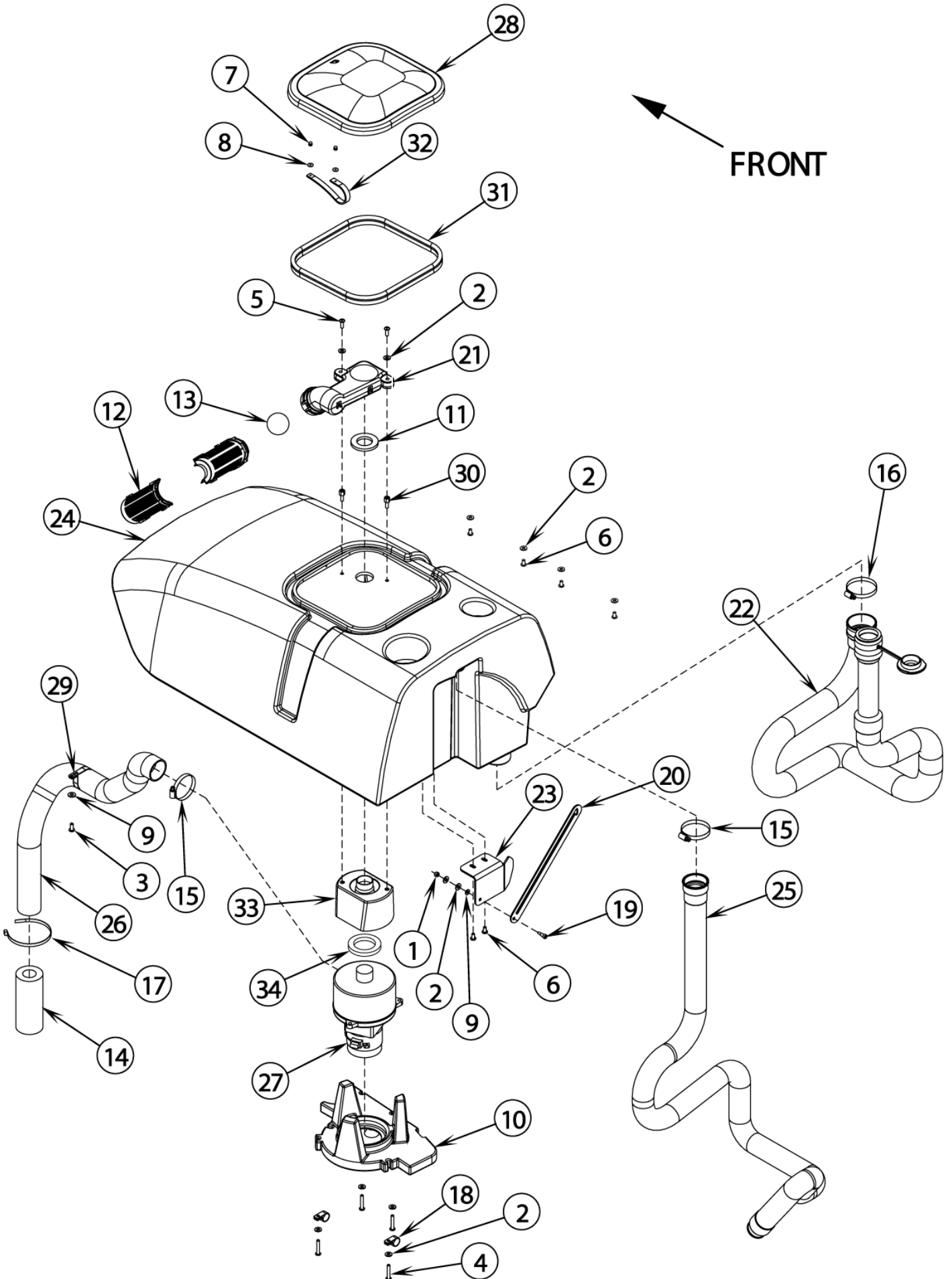
# RECOVERY SYSTEM

BA 750 ST / 850 ST

28-03-2011

Part List ID  
E116112

15



# RECOVERY SYSTEM

BA 750 ST / 850 ST

28-03-2011

Part List ID

E116112

16

Pos	Part no.	Qty	Description	EAN
1	56002832	1	NUT HEX NYL LOC THIN 10 24	5711144002
2	56002859	12	WSH FLT SAE SS 1/4	5711144002
3	56002900	1	SCR PAN PHIL SS 10 24 X .50	5711144003
4	56002905	4	SCR PAN PHIL SS 1/4 20 X 1.50	5711144003
5	56003067	2	SCR. PAN PHIL. SS 1/4 20 1.00	5711144003
6	56003119	6	SCR PAN PHIL SS 1/4 20 X .50	5711144004
7	56003293	2	RIVET POP A/S .125 X .38/.50	5711144005
8	56009098	2	WSH FLT SS .125X.500X.036	5711144008
9	56009205	2	WSH FLT SS .219X.500X.047/.062	5711144008
10	56302141	1	VACUUM MOTOR DUCT	5711144040
11	56302165	1	GASKET	5711144040
12	56324497	2	FLOAT CAGE	5711144064
13	56391690	1	BALL FLOAT	5711144073
14	56391807	1	FOAM ACCOUSTICAL	5711144073
15	56440213	2	CLAMP HOSE SAE 32E00047	5711144107
16	56456797	1	CLAMP HOSE	5711144113
17	56477613	1	CABLE TIE E00549 RE409S	5711144123
18	56486112	2	CLAMP P	5711144125
19	56003537	1	SCR SOC SHD .250X.38X10 24	5711144006
20	56057508	1	BAR STEEL 12 GA.	5711144018
21	56302142	1	FLOAT DUCT	5711144040
22	56396031	1	DRAIN HOSE	5711144077
23	56396148	1	BRACKET PIVOT	5711144077
24	56396223	1	TANK RECOVERY	5711144078
25	56396287	1	VAC HOSE 1.50 ASSY.	5711144078
26	56397040	1	HOSE VAC EXHAUST	5711144079
27	56397041	1	MOTOR VAC 24VDC	5711144079
27	56397098	1	CARBON BRUSH SET	5711144079
28	56397045	1	LID	5711144079
29	56397095	1	CLAMP HOSE	5711144079
30	56397096	2	SPACER BOLT	5711144079
31	56397151	1	GASKET	5711144079
32	56397167	1	STRAP RETAINING	5711144079
33	56397303	1	SPACER VAC MOTOR	5711144080
34	56397307	1	GASKET VAC	5711144080



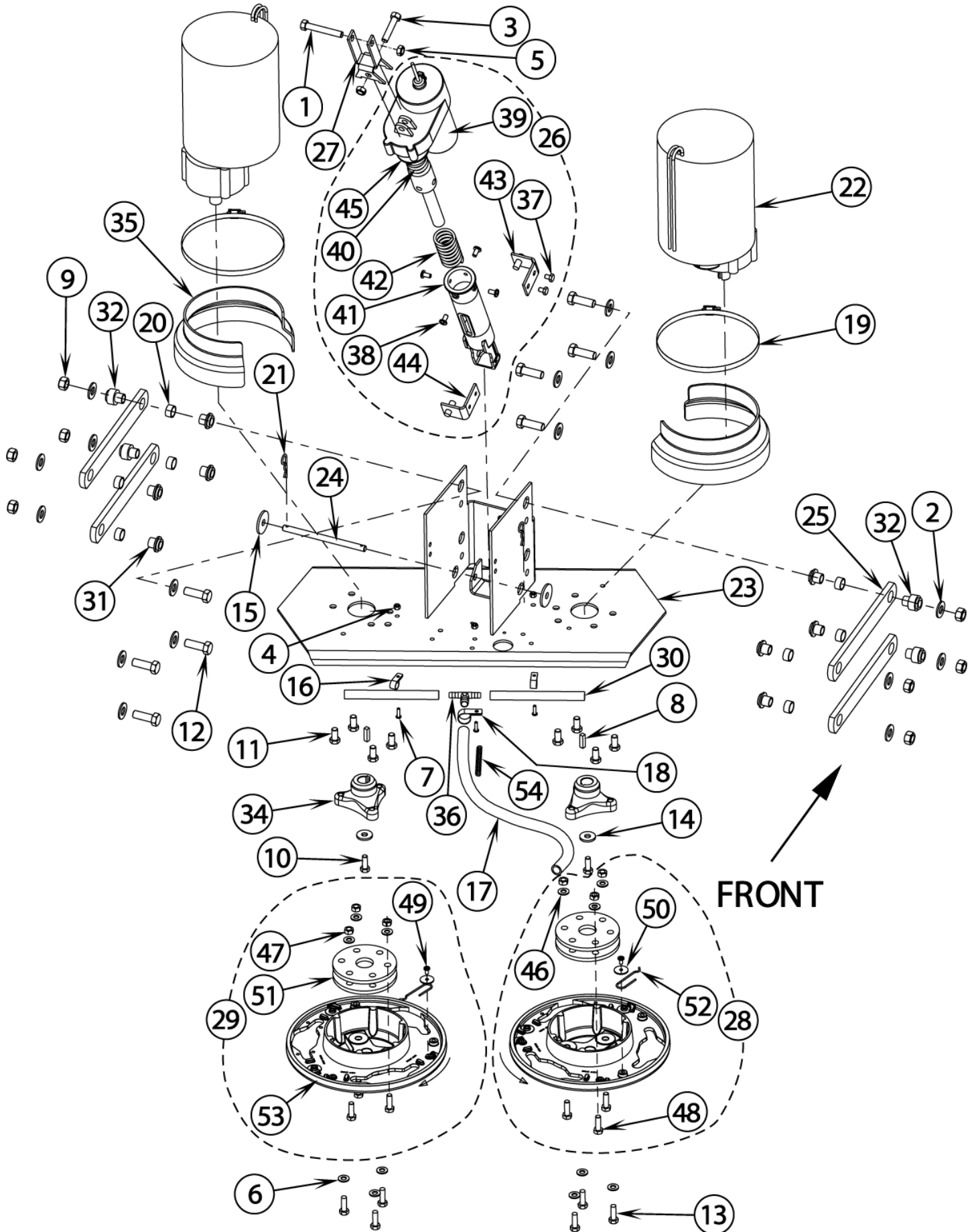
# SCRUB SYSTEM

BA 750 ST / 850 ST

28-03-2011

Part List ID  
E116114

17



# SCRUB SYSTEM

BA 750 ST / 850 ST

28-03-2011

Part List ID

E116114

18

Pos	Part no.	Qty	Description		EAN
0	56182058	2	RETAINER RING	BA 750ST and 850ST	5711144029
0	56393567	2	RETAINER PAD	BA 850ST and 850ST	5711144076
0	56505780	2	PAD HOLDER 17 3 LUG	BA 850ST	5711144128
0	56505781	2	DISC BRUSH 17 MAGNAGRIT 3 LUG	BA 850ST	5711144128
0	56505782	2	DISC BRUSH 17 DYNAGRIT 3 LUG	BA 850ST	5711144128
0	56505783	2	DISC BRUSH 17 AGLITE 3 LUG	BA 850ST	5711144128
0	56505784	2	DISC BRUSH 17 PROLENE 3 LUG	BA 850ST	5711144128
0	56505785	2	DISC BRUSH 17 PROLITE 3 LUG	BA 850ST	5711144128
0	56505786	2	DISC BRUSH 17 UNION MIX 3 LUG	BA 850ST	5711144128
0	56505787	2	DISC BRUSH 17 MIDGRIT 3 LUG	BA 850ST	5711144128
0	56505788	2	DISC BRUSH 17 MIDLITE 3 LUG	BA 850ST	5711144128
0	56505800	2	PAD HOLDER 14 3 LUG	BA 750ST	5711144129
0	56505801	2	DISC BRUSH 14 MAGNAGRIT 3 LUG	BA 750ST	5711144129
0	56505802	2	DISC BRUSH 14 DYNAGRIT 3 LUG	BA 750ST	5711144129
0	56505803	2	DISC BRUSH 14 AGLITE 3 LUG	BA 750ST	5711144129
0	56505804	2	DISC BRUSH 14 PROLENE 3 LUG	BA 750ST	5711144129
0	56505805	2	DISC BRUSH 14 PROLITE 3 LUG	BA 750ST	5711144129
0	56505806	2	DISC BRUSH 14 UNION MIX 3 LUG	BA 750ST	5711144129
0	56505807	2	DISC BRUSH 14 MIDGRIT 3 LUG	BA 750ST	5711144129
0	56505808	2	DISC BRUSH 14 MIDLITE 3 LUG	BA 750ST	5711144129
1	56001873	1	SCR HEX 3/8 16 X 2.50		5711144000
2	56001879	16	WSH FLT SAE 1/2		5711144000
3	56002684	1	SCR HEX 3/8 16 X 1.75		5711144002
4	56002877	4	NUT HEX NYL LOC SS 8 32		5711144002
5	56002769	2	NUT HEX NYL LOC 3/8 16		5711144002
6	56002938	6	WSH FLT SAE SS 5/16		5711144003
7	56003001	4	SCR PAN PHIL SS 8 32 X .62		5711144003
8	56003244	2	KEY SQ .25 X .94		5711144004
9	56003312	8	NUT HEX NYL LOC M12 1.75		5711144005
10	56003335	2	SCR HEX LOC SS 5/16 18 X .88		5711144005
11	56003338	8	SCR. HEX LOC SS 3/8 16X.75		5711144005
12	56003415	8	SCR HEX THD TO HDM12 1.75X35MM		5711144005
13	56003477	6	SCR HX NYLOC SS M8 1.25 X 25MM		5711144005
14	56009107	2	WSH FLT SS .378/.373X1.00X.075		5711144008
15	56009242	2	WSH FLT .406X1.50X.125		5711144008
16	56152617	2	CLAMP CABLE .500 E00129		5711144028
17	56172099	1	TUBE PVC .50X18 E00199		5711144029
18	56328064	2	CLAMP CABLE .75 E00129		5711144064
19	56355488	2	CLAMP HOSE SAE 96 ER00047		5711144066
20	56370878	8	BEARING SLEEVE .627CV213FE0202		5711144067

Pos. 0 = Not Included (optional)

NOTE 1: All Lug Assembly quantities are for one assembly only.

Lift Assembly: Pos. 37-45

Lug Assemblies: Pos. 46-54

# SCRUB SYSTEM

BA 750 ST / 850 ST

28-03-2011

Part List ID  
E116114

19

Pos	Part no.	Qty	Description		EAN
21	56003120	2	PIN COT HAIR.093XDIA .25 .50		5711144004
22	56027153	2	MOTOR 24V		5711144013
22	56397048	1	BRUSH BOARD SPRINGS/BRUSHES	Not shown	5711144079
22	56397090	1	BEARING B.E.	Not shown	5711144079
22	56397135	1	BEARING F.E.	Not shown	5711144079
22	56397138	4	BRUSH SPRING	Not shown	5711144079
22	56397139	4	CARBON BRUSH SET OF 4	Not shown	5711144079
23	56035078	1	WELDMENT BRUSH HEAD	BA 850ST	5711144013
23	56035313	1	WDMT BRUSH HEAD 27 AUTO	BA 750ST	5711144013
24	56056474	1	SHAFT STEEL	BA 850ST	5711144017
24	56056987	1	SHAFT STEEL	BA 750ST	5711144017
25	56396045	4	ARM		5711144077
26	56396049	1	LIFT ACTUATOR ASSEMBLY	Pos. 37-45	5711144077
27	56396066	1	YOKE ACTUATOR		5711144077
28	56109625	1	BRUSH PLATE KIT COUNTER CLOC	Pos. 46-53 Upgrade from 56396080	5711144021
29	56109626	1	BRUSH PLATE KIT CLOCKWISE	Pos. 46-53 Upgrade from 56396081	5711144021
30	56396195	2	HOSE PVC E00552	BA 750ST	5711144078
30	56397301	1	HOSE PVC E00552	BA 850ST	5711144080
31	56396196	8	BUSHING	Qty of 4 on BA 850ST	5711144078
32	56396198	4	BUSHING	BA 850ST	5711144078
34	56314108	2	HUB DRIVE		5711144054
35	56397112	2	SHROUD MOTOR		5711144079
36	56397300	1	TEE BARB	Lift Actuator Assembly	5711144080
37	56009019	2	SCR HEX THD FORM 1/4 20X .38		5711144007
38	56009126	4	SCR PANPHILTHD FORM 1/4 20X.75		5711144008
39	56388520	1	NUT PLASTIC	Not shown	5711144071
39	56393303	1	ACTUATOR	TSBUS2004-870	5711144075
39	56393790	2	SWITCH LIMIT	Not shown	
39	56470433	1	BRUSH KIT MOTOR	Not shown	
40	56412071	1	COMPRESSION SPRING		5711144091
41	56412262	1	HOUSING SPRING	TSBUS2002-811	5711144092
42	56420018	1	SPRING COMPRESSION		5711144105
43	56420019	1	NUT RETAINER WLMT.		5711144105
44	56420020	1	NUT RETAINER WLMT.		5711144105
45	56396268	1	SPRING HOUSING GUIDE		5711144078
46	56002938	3	WSH FLT SAE SS 5/16	NOTE 1	5711144003
47	56003405	3	NUT HEX NYL LOC SS M8X1.25	NOTE 1	5711144005
48	56003436	3	SCR HEX SS M8 1.25X25MM	NOTE 1	5711144005
49	56009030	1	SCR PAN PHIL THD FOM 10 24X.38	NOTE 1	5711144007
50	56009096	1	WSH FLT .193X.875X.060	NOTE 1	5711144008

Pos. 0 = Not Included (optional)

NOTE 1: All Lug Assembly quantities are for one assembly only.

Lift Assembly: Pos. 37-45

Lug Assemblies: Pos. 46-54

# SCRUB SYSTEM

BA 750 ST / 850 ST

28-03-2011

Part List ID

E116114

20

Pos	Part no.	Qty	Description		EAN
51	56407053	2	THERMOID DISC	NOTE 1	5711144081
52	56397081	1	SPRING RETAINER	NOTE 1	5711144079
53	56314030	1	BRUSH HOLDER	NOTE 1	5711144053
54	56373686	2	SPRING COM .42X8.00 E00453	Insert into hose item 17 - NOTE 1	5711144067

Pos. 0 = Not Included (optional)

NOTE 1: All Lug Assembly quantities are for one assembly only.

Lift Assembly: Pos. 37-45

Lug Assemblies: Pos. 46-54

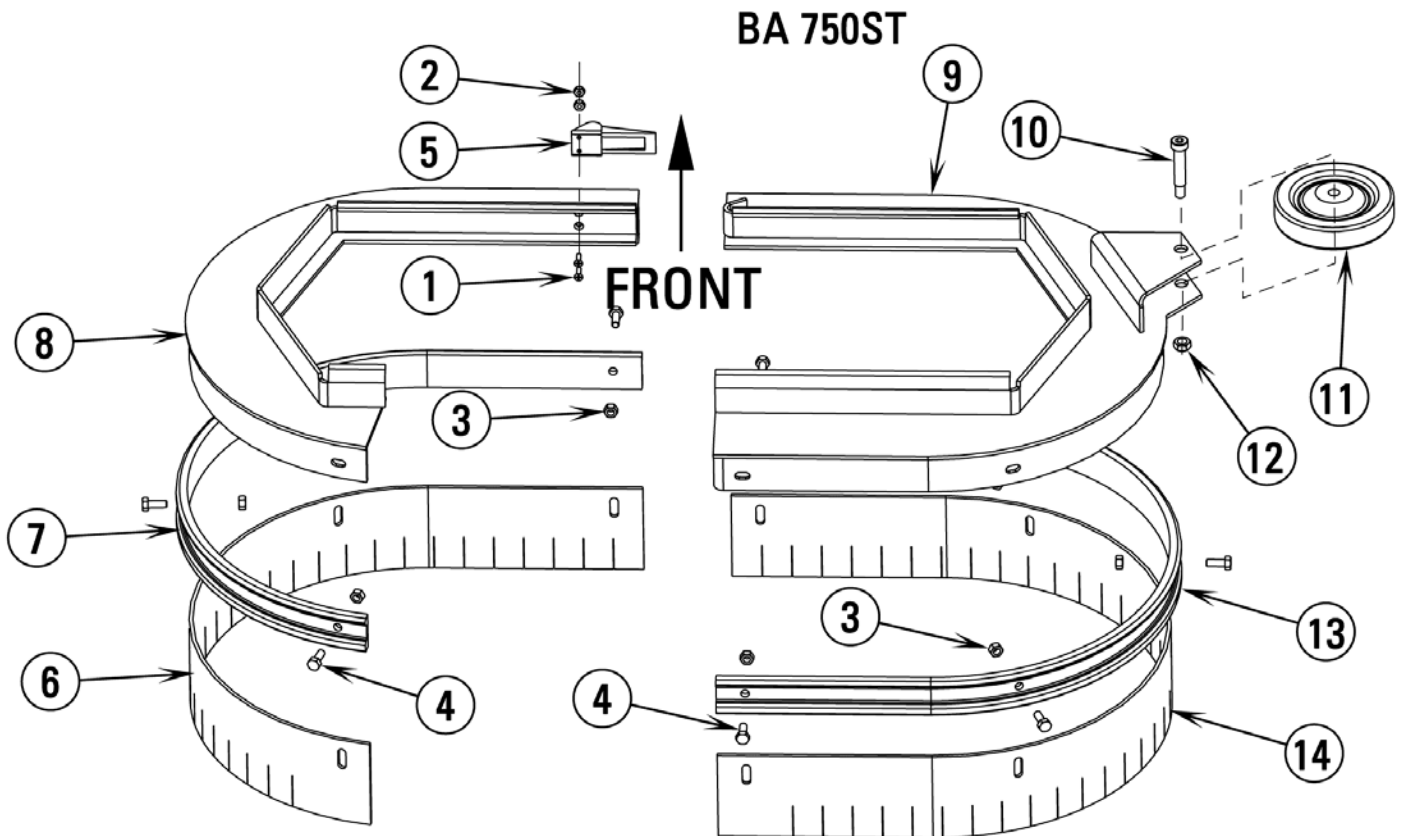
# SCRUB SYSTEM SKIRTS - BA 750ST

BA 750 ST / 850 ST

28-03-2011

Part List ID  
E116116

21



# SCRUB SYSTEM SKIRTS - BA 750ST

BA 750 ST / 850 ST

28-03-2011

Part List ID

E116116

22

Pos	Part no.	Qty	Description		EAN
0	56396008	1	BLADE KIT DISC FABRIC 28	Pos. 3, 4, 6, 7, 13, 14 - Optional, Not included	5711144077
0	56396261	1	ASSEMBLY BRUSH COVER LEFT	Pos. 1-8	5711144078
0	56396262	1	ASSEMBLY BRUSH COVER RIGHT	Pos. 3, 4, 9-14	5711144078
1	56002332	2	SCR FLT PHIL 6 32 X .62		5711144001
2	56002964	2	NUT HEX NYL LOC THIN SS 6 32		5711144003
3	56003426	9	NUT HEX NYL LOC SS M6		5711144005
4	56003431	9	SCR HEX SS M6 1.00X16MM		5711144005
5	56471194	1	LATCH ASSY RE32		5711144123
6	56396005	1	BLADE DECK FABRIC LEFT		5711144077
7	56396007	1	CHANNEL LEFT		5711144077
8	56396294	1	WELDMENT BRUSH COVER LEFT		5711144078
9	56396291	1	WELDMENT BRUSH COVER RIGHT		5711144078
10	56002625	1	SCR SOC SHD.38X1.50X5/16 18		5711144002
11	56228102	1	WHEEL 4.00X.875 FC115		5711144033
12	56002826	1	NUT HEX NYL LOC THIN 5/16 18		5711144002
13	56396006	1	CHANNEL RIGHT		5711144077
14	56396004	1	BLADE DECK FABRIC RIGHT		5711144077

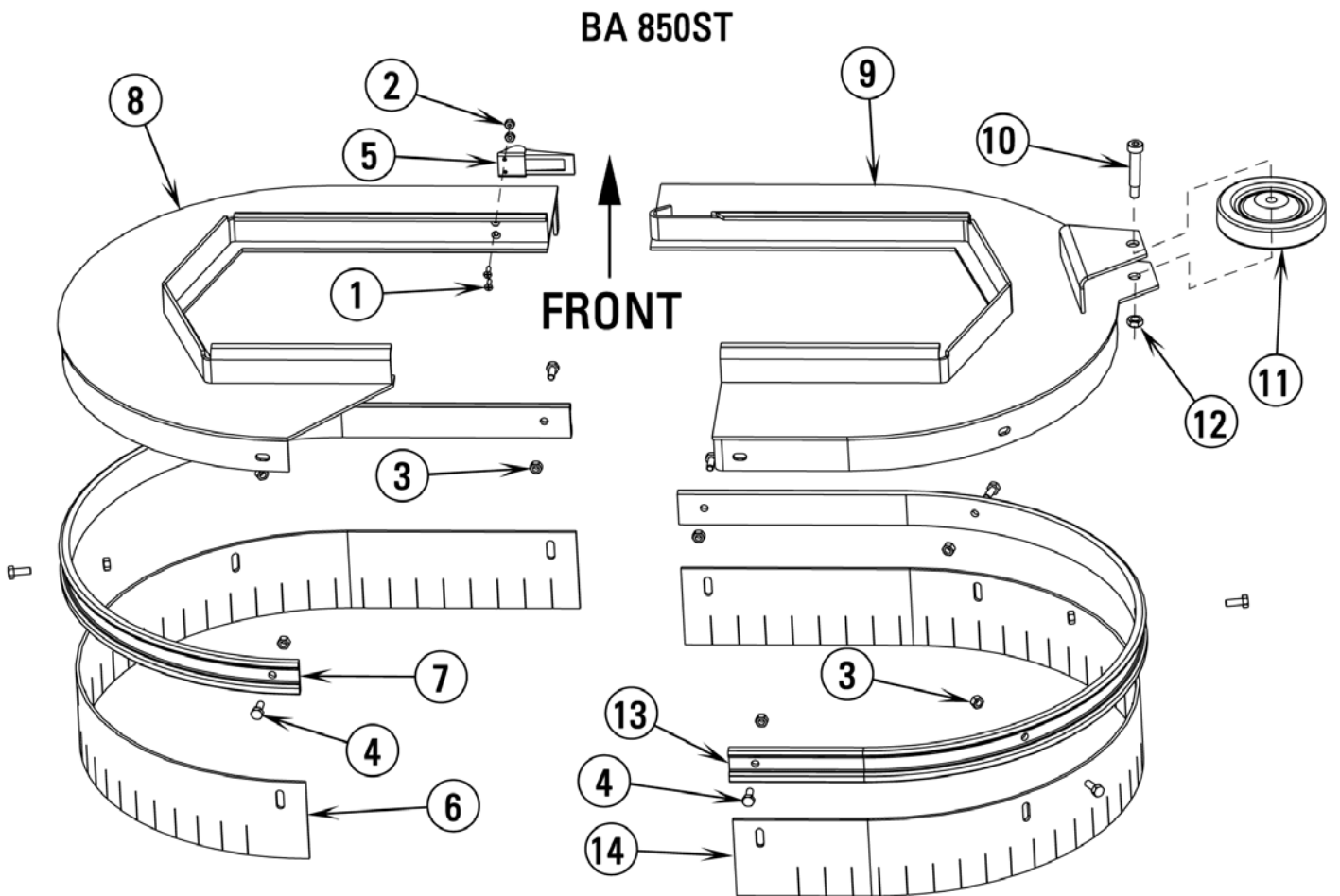
# SCRUB SYSTEM SKIRTS - BA 850ST

BA 750 ST / 850 ST

28-03-2011

Part List ID  
E116117

23



# SCRUB SYSTEM SKIRTS - BA 850ST

BA 750 ST / 850 ST

28-03-2011

Part List ID

E116117

24

Pos	Part no.	Qty	Description		EAN
0	56397080	1	BLADE KIT DISC FABRIC 34	Pos. 3, 4, 6, 7, 13, 14 - Optional, Not included	5711144079
0	56397510	1	ASSEMBLY BRUSH GUARD LEFT	Pos. 1-8	5711144080
0	56397511	1	ASSEMBLY BRUSH GUARD RIGHT	Pos. 3, 4, 9-14	5711144080
1	56002332	2	SCR FLT PHIL 6 32 X .62		5711144001
2	56002964	2	NUT HEX NYL LOC THIN SS 6 32		5711144003
3	56003426	10	NUT HEX NYL LOC SS M6		5711144005
4	56003431	10	SCR HEX SS M6 1.00X16MM		5711144005
5	56471194	1	LATCH ASSY RE32		5711144123
6	56397019	1	BLADE DECK FABRIC LEFT		5711144079
7	56397055	1	CHANNEL LEFT		5711144079
8	56397531	1	WELDMENT BRUSH COVER LEFT		5711144080
9	56397536	1	WELDMENT BRUSH COVER RIGHT		5711144080
10	56002625	1	SCR SOC SHD.38X1.50X5/16 18		5711144002
11	56228102	1	WHEEL 4.00X.875 FC115		5711144033
12	56002826	1	NUT HEX NYL LOC THIN 5/16 18		5711144002
13	56397044	1	CHANNEL RIGHT		5711144079
14	56397014	1	BLADE RIGHT		5711144079



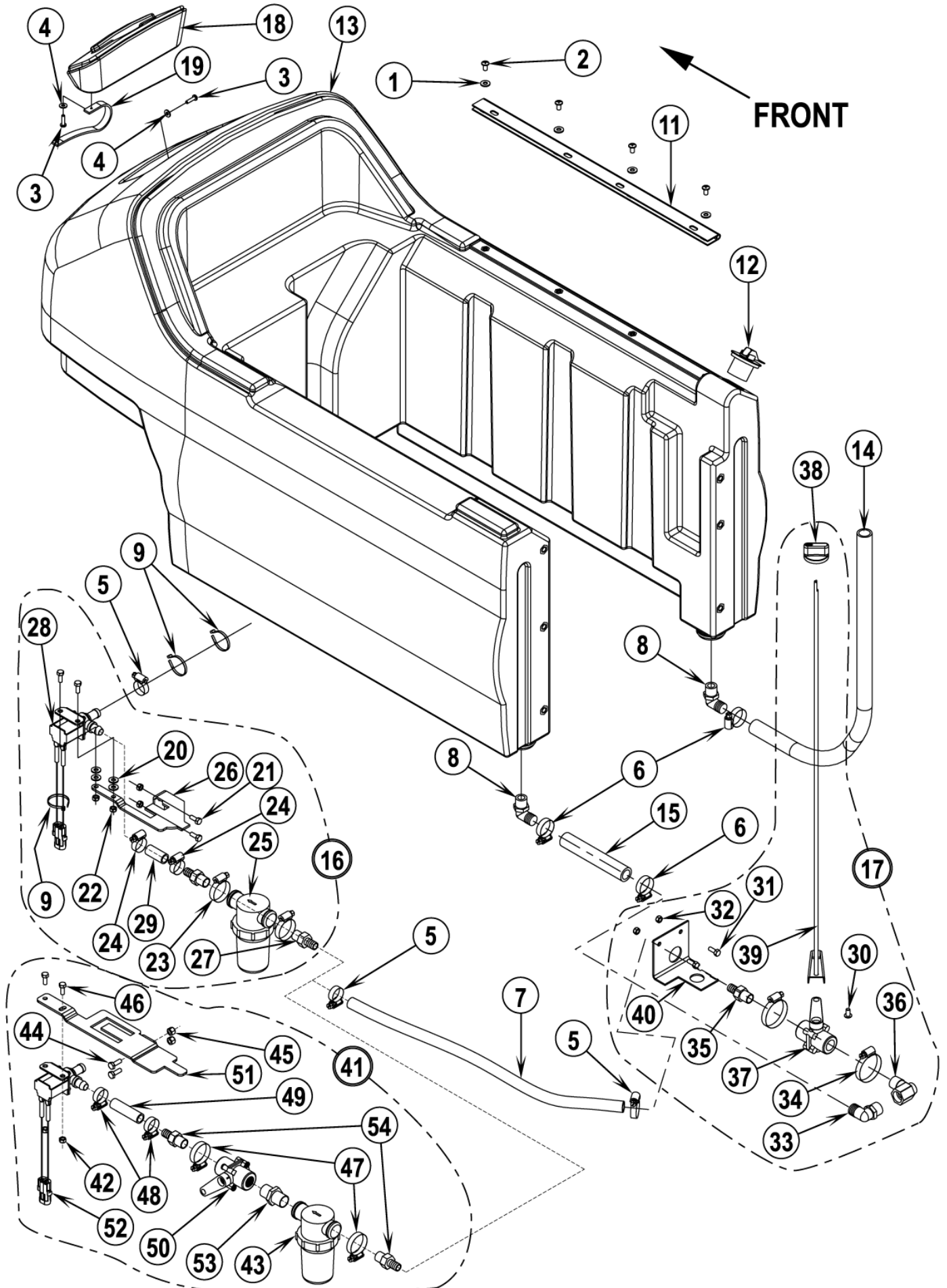
# SOLUTION SYSTEM

BA 750 ST / 850 ST

28-03-2011

Part List ID  
E116118

25



# SOLUTION SYSTEM

BA 750 ST / 850 ST

28-03-2011

Part List ID E116118

26

Pos	Part no.	Qty	Description	EA	EAN
1	56002859	4	WSH FLT SAE SS 1/4		5711144002
2	56003119	4	SCR PAN PHIL SS 1/4 20 X .50		5711144004
3	56009005	2	SCR PANPHILS TYPE AB 10 16X.75		5711144007
4	56009205	2	WSH FLT SS .219X.500X.047/.062		5711144008
5	56219932	3	CLAMP HOSE SAE 6 E00047		5711144033
6	56244969	3	CLAMP HOSE SAE 12 E00047		5711144034
7	56324249	1	HOSE .50 X 24.00 E00604	NOTE 1	5711144063
8	56456802	2	ELBOW 3/4 X 3/4 E00037		5711144113
9	56478246	3	CABLE TIE E00549 RE438BA		5711144124
11	56056291	1	HINGE BUTT 2.00 X 22.00		5711144017
12	56057852	1	PLUG EXPANSION 1.50 DIA. W/CH		5711144018
13	56396024	1	TANK SOLUTION		5711144077
14	56396143	1	HOSE PVC .75X28.0 E00521		5711144077
15	56396266	1	HOSE PVC .75X5.0 E00521		5711144078
16	56396096	1	ASSEMBLY FILTER	Pos. 20-29, TSBUS2003-835 - NOTE 1	5711144077
16	56396277	1	ASSEMBLY FILTER ST	Pos. 20-29, TSBUS2003-835 - NOTE 1	5711144078
17	56396309	1	ASSEMBLY BALL VALVE		5711144078
18	56397021	1	LID SOLUTION ASSEMBLY		5711144079
19	56397167	1	STRAP RETAINING		5711144079
20	56002098	4	WSH FLT SAE 1/4		5711144000
21	56003174	4	SCR HEX THD/HD M6 1.0 X 16MM		5711144004
22	56003403	4	NUT HEX NYL LOC M6 X 1.00		5711144005
23	56131601	2	CLAMP HOSE SAE 16 E00047		5711144028
24	56219932	2	CLAMP HOSE SAE 6 E00047		5711144033
25	56260905	1	STRAINER		5711144035
25	56412173	1	SOLUTION FILTER		5711144091
26	56396068	1	FILTER BRACKET		5711144077
27	56397145	2	BARB HOSE FEMALE		5711144079
28	56397203	1	SOLUTION VALVE ASSY.		5711144080
29	56396330	1	HOSE PVC .500X2.00 E00199		5711144078
29	56397217	1	HOSE PVC .500X1.50 E00199		5711144080
30	56003119	1	SCR PAN PHIL SS 1/4 20 X .50		5711144004
31	56003174	2	SCR HEX THD/HD M6 1.0 X 16MM		5711144004
32	56003403	2	NUT HEX NYL LOC M6 X 1.00		5711144005
33	56244985	1	BARB 3/4X1/2X90 NYLFC433M		5711144034
34	56329145	2	CLAMP HOSE SAE 24 E00047		5711144065
35	56412184	1	BARB ADAPTER 1/2 E00039		5711144091
36	56055071	1	ELBOW STREET		5711144017
37	56314899	1	VALVE SOLUTION		5711144057
38	56396201	1	KNOB		5711144078

NOTE 1: Items used on (BA 750 ST before SN 1736969, BA 850 ST before SN 1736974).

NOTE 2: Items used on (BA 750 ST after SN 1736968, BA 850 ST after SN 1736973).

Filter Assembly: Pos. 20-29

Valve Assembly: Pos. 30-40

# SOLUTION SYSTEM

BA 750 ST / 850 ST

28-03-2011

Part List ID  
E116118

27

Pos	Part no.	Qty	Description	EAN
39	56396310	1	WELDMENT FLOW VALVE	5711144078
40	56396314	1	BRACKET WATER VALVE	5711144078
41	56396512	1	ASSEMBLY FILTER	5711144078
			Pos. 42-54 - NOTE2	
42	56003403	2	NUT HEX NYL LOC M6 X 1.00	5711144005
43	56412173	1	SOLUTION FILTER	5711144091
44	56002155	2	SCR HEX 1/4 20 X .75	5711144001
45	56002708	2	NUT HEX NYL LOC 1/4 20	5711144002
46	56003174	2	SCR HEX THD/HD M6 1.0 X 16MM	5711144004
47	56131601	2	CLAMP HOSE SAE 16 E00047	5711144028
48	56219932	2	CLAMP HOSE SAE 6 E00047	5711144033
49	56392347	1	TUBE PVC .500X 2.50 E00199	5711144074
50	56396505	1	VALVE LOW FLOW	5711144078
51	56396511	1	BRACKET FLOW VALVE	5711144078
52	56397203	1	SOLUTION VALVE ASSY.	5711144080
53	56412182	1	COUPLING 1/2NPT TO 1/2NPT	5711144091
54	56412184	2	BARB ADAPTER 1/2 E00039	5711144091

NOTE 1: Items used on (BA 750 ST before SN 1736969, BA 850 ST before SN 1736974).

NOTE 2: Items used on (BA 750 ST after SN 1736968, BA 850 ST after SN 1736973).

Filter Assembly: Pos. 20-29

Valve Assembly: Pos. 30-40



# SQUEEGEE SYSTEM

BA 750 ST / 850 ST

28-03-2011

Part List ID

E116120

29

Pos	Part no.	Qty	Description	EAN
1	56002910	1	WSH FLT SAE SS 3/8	5711144003
2	56002708	1	NUT HEX NYL LOC 1/4 20	5711144002
3	56397356	1	WELDMENT MOUNTING PLATE	5711144080
			BA 850ST	
4	56002769	2	NUT HEX NYL LOC 3/8 16	5711144002
5	56002855	2	NUT HEX NYL LOC THIN SS 5/8 11	5711144002
6	56002903	1	SCR HEX SS 3/8 16 X 2.75	5711144003
7	56009220	1	BOLT EYE 1/4 20 X 1.00	5711144008
8	56367389	4	BEARING SLEEVE .627CV35AE00202	5711144067
9	56391281	1	SQUEEGEE ASSY.	5711144073
			BA 750ST	
9	56397349	1	SQUEEGEE ASSEMBLY	5711144080
			BA 850ST	
10	56003120	2	PIN COT HAIR.093XDIA .25 .50	5711144004
11	56035163	1	ASSEMBLY KNOB ADJUSTMENT	5711144013
12	56051136	1	SPRING EXT. .750D	5711144016
13	56056585	1	SPRING COMPRESSION	5711144017
14	56056977	1	SHAFT STEEL .375 DIA.	5711144017
15	56396053	1	WELDMENT SQUEEGEE MOUNT	5711144077
			BA 750ST	
16	56396061	1	WELDT SQUEEGEE LIFT 27	5711144077
17	56396076	1	SQUEEGEE BAR WELDT	5711144077
18	56396085	1	SQUEEGEE PIVOT WELDT	5711144077

# SQUEEGEE ASSEMBLY-CMAX 28ST/ BA 750S

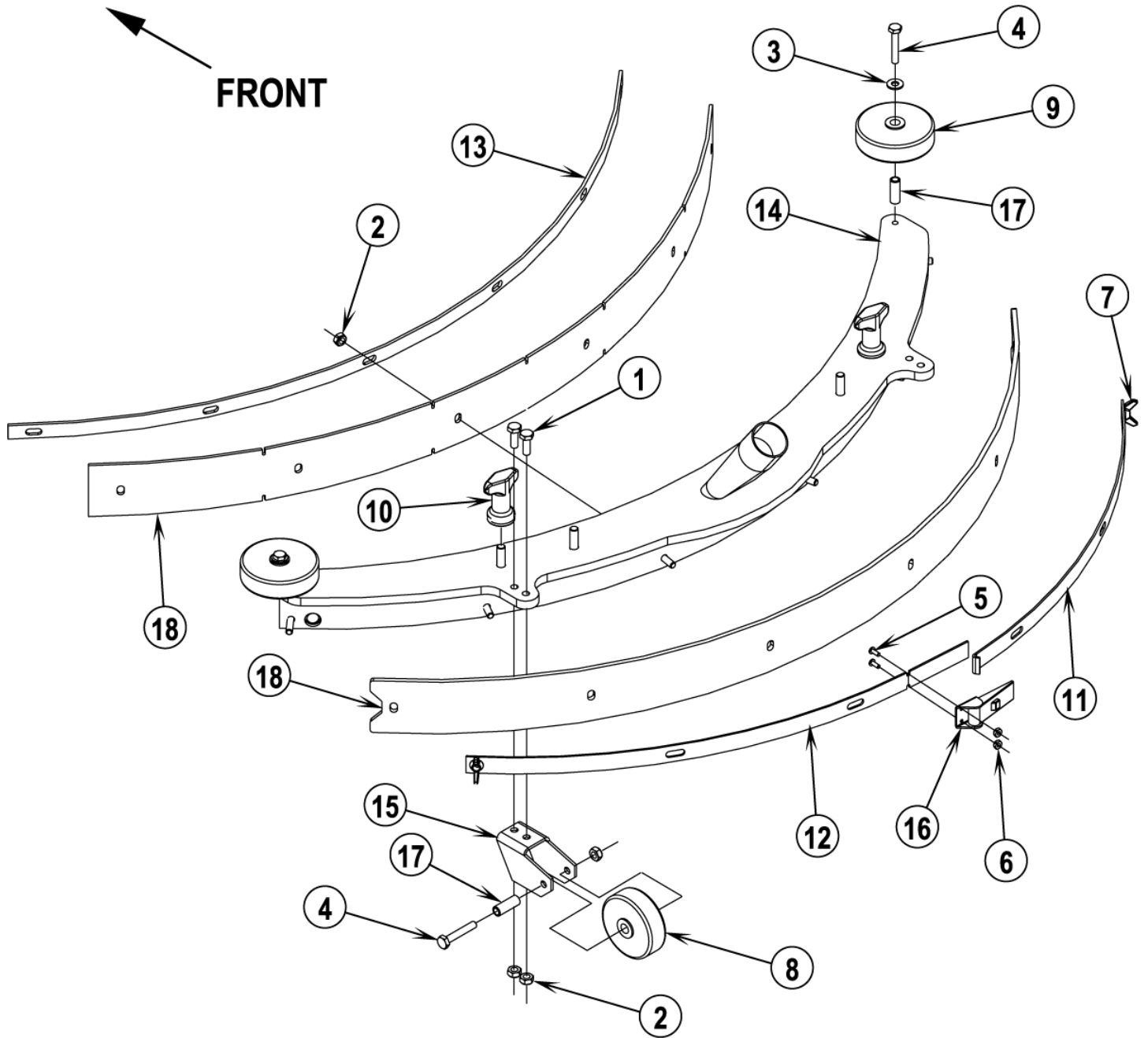
BA 750 ST / 850 ST

28-03-2011

Part List ID

E116122

30



# SQUEEGEE ASSEMBLY-CMAX 28ST/ BA 750S

BA 750 ST / 850 ST

28-03-2011

Part List ID

E116122

31

Pos	Part no.	Qty	Description	EAN
0	56391281	1	SQUEEGEE ASSY.	5711144073
			BA 750ST - NOT SHOWN	
1	56002807	4	SCR HEX SS 1/4 20 X .75	5711144002
2	56002491	12	NUT HEX NYL LOC SS 1/4 20	5711144001
3	56002859	2	WSH FLT SAE SS 1/4	5711144002
4	56002901	4	SCR HEX SS 1/4 20 X 1.50	5711144003
5	56002909	2	SCR PAN PHIL SS 6 32 X .38	5711144003
6	56002964	2	NUT HEX NYL LOC THIN SS 6 32	5711144003
7	56009048	2	NUT WING LOC 1/4 20	5711144007
8	56324350	2	WHEEL	5711144064
9	56324499	2	WHEEL 3.00X.781 HC315	5711144064
10	56370711	2	NUT THUMB	5711144067
11	56391286	1	STRAP REAR RIGHT	5711144073
12	56391288	1	STRAP REAR LEFT	5711144073
13	56391290	1	STRAP FRONT	5711144073
14	56391292	1	TOOL WELDMENT	5711144073
15	56409656	2	BRACKET WHEEL NILFISK	5711144085
16	56471194	1	LATCH ASSY RE32	5711144123
17	56471220	4	BUSHING .25X.37X1.0RE185L	5711144123
18	56391340	1	BLADE KIT SQUEEGEE GUM	5711144073
			NOTE 1	
18	56391342	1	BLADE KIT SQUEEGEE NEO	5711144073
			Oil Resistant, Neoprene - Optional - NOTE 1	
18	56396172	1	BLADE KIT SQGEE RED GUM	5711144078
			Linatex - Optional - NOTE 1	
18	56397325	1	BLADE SQUEEGEE GUM FR	5711144080
			Gum - Optional	
18	56397326	1	BLADE SQGEE RED GUM FR	5711144080
			Linatex - Optional	

NOTE 1: All squeegee blade kits contain both front and rear squeegee blades.

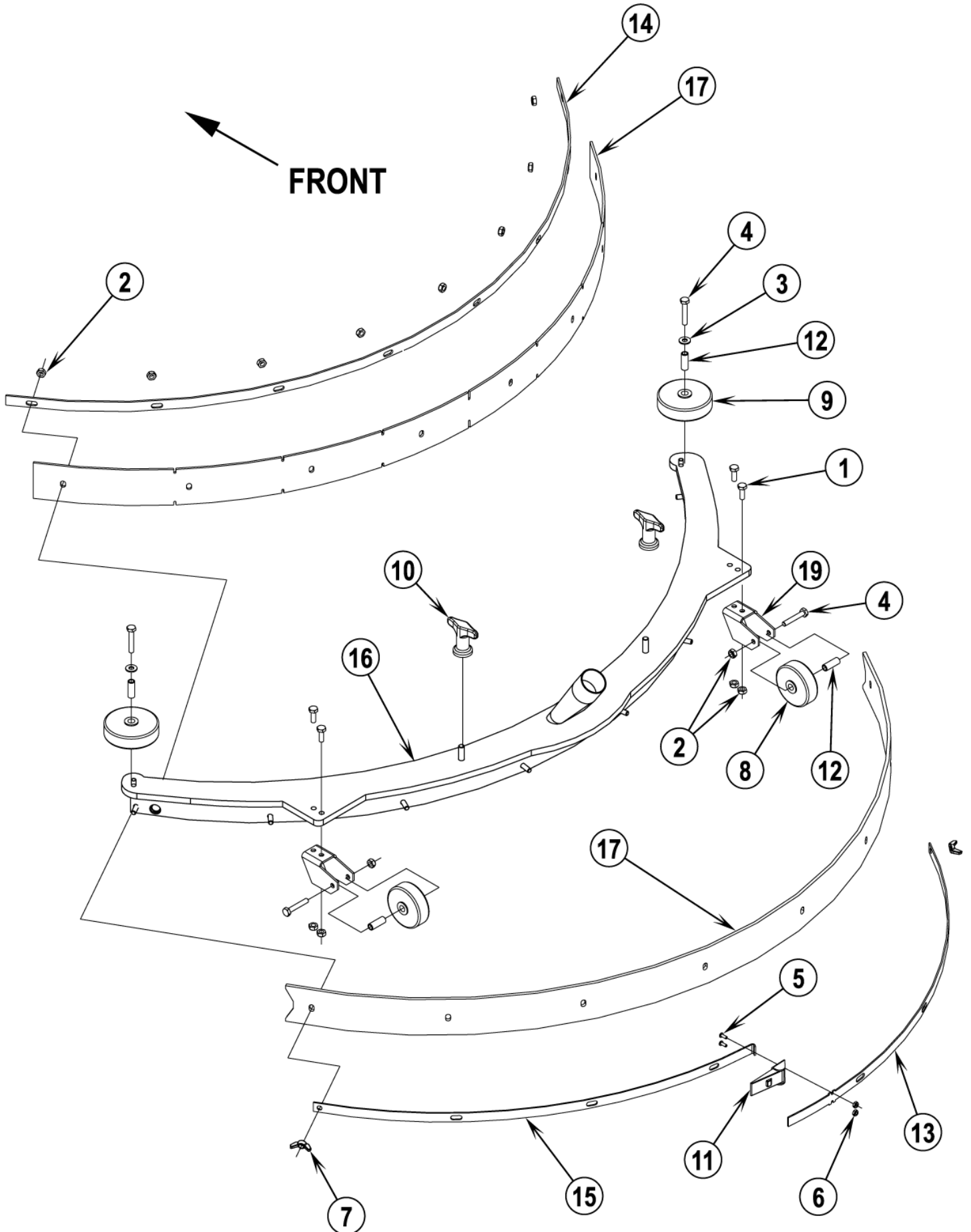
# SQUEEGEE ASSEMBLY- BA 850ST

BA 750 ST / 850 ST

28-03-2011

Part List ID  
E116124

32





# SQUEEGEE ASSEMBLY- BA 850ST

BA 750 ST / 850 ST

28-03-2011

Part List ID

E116124

33

Pos	Part no.	Qty	Description		EAN
0	56397106	1	BLADE KIT SQGEE RED GUM	Liantex - NOTE 1	5711144079
0	56397147	1	BLADE SQUEEGEE GUM FR	Gum - Optional	5711144079
0	56397148	1	BLADE SQGEE RED GUM FR	Liantex - Optional	5711144079
0	56397349	1	SQUEEGEE ASSEMBLY	BA 850ST - NOT SHOWN	5711144080
0	56397595	1	BLADE KIT SQUEEGEE NEO	Oil Resistant - Optional - NOTE 1	5711144081
1	56002807	4	SCR HEX SS 1/4 20 X .75		5711144002
2	56002491	14	NUT HEX NYL LOC SS 1/4 20		5711144001
3	56002859	2	WSH FLT SAE SS 1/4		5711144002
4	56002901	4	SCR HEX SS 1/4 20 X 1.50		5711144003
5	56002909	2	SCR PAN PHIL SS 6 32 X .38		5711144003
6	56002964	2	NUT HEX NYL LOC THIN SS 6 32		5711144003
7	56009048	2	NUT WING LOC 1/4 20		5711144007
8	56324350	2	WHEEL		5711144064
9	56324499	2	WHEEL 3.00X.781 HC315		5711144064
10	56370711	2	NUT THUMB		5711144067
11	56471194	1	LATCH ASSY RE32		5711144123
12	56471220	4	BUSHING .25X.37X1.0RE185L		5711144123
13	56397353	1	STRAP REAR		5711144080
14	56397354	1	STRAP FRONT		5711144080
15	56397355	1	STRAP REAR		5711144080
16	56397359	1	SQUEEGEE TOOL WELDMENT		5711144080
17	56397094	1	BLADE KIT SQUEEGEE GUM	Gum Rubber - NOTE 1	5711144079
19	56409656	2	BRACKET WHEEL NILFISK	Optional	5711144085

NOTE 1: All squeegee blade kits contain both front and rear squeegee blades.

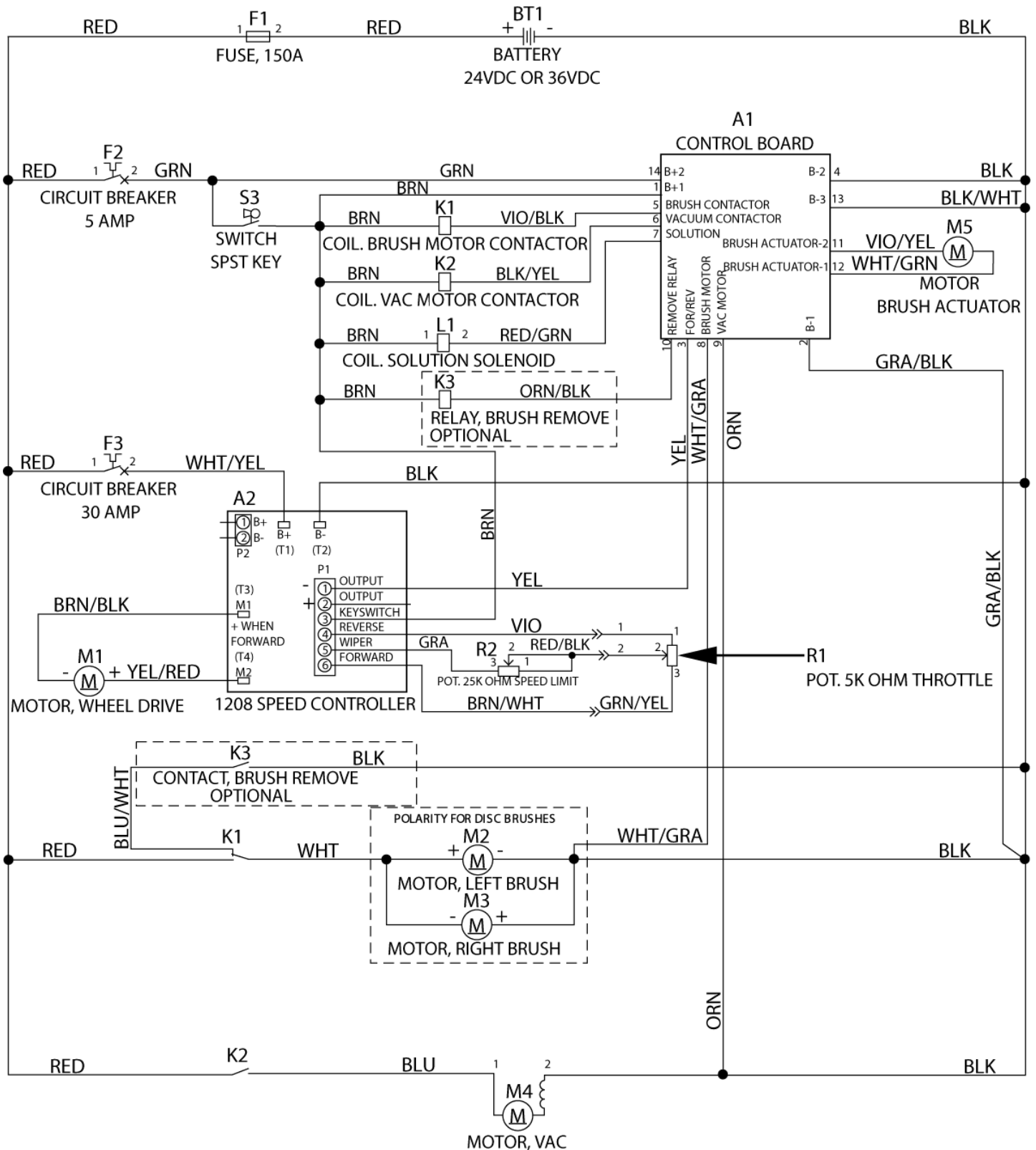
# WIRING DIAGRAM

BA 750 ST / 850 ST

28-03-2011

Part List ID  
E116126

34



# WIRING DIAGRAM

BA 750 ST / 850 ST

28-03-2011

Part List ID  
E116126

35

Pos	Part no.	Qty	Description		EAN
0	56396202	1	CABLE ASSEMBLY	Not shown	5711144078
0	56396203	1	CABLE ASSEMBLY	Not shown	5711144078
0	56396283	1	HARNESS MAIN	Not shown	5711144078
0	56396299	1	HARNESS HANDLE	Not shown	5711144078
0	56416445	3	CABLE ASSY 4 AWG	Not shown	5711144098
A1	56396300	1	CONTROL PCB ASSEMBLY	TSBUS2004-870	5711144078
A2	56324023	1	SPEED CONTROLLER		5711144063
F1	56412089	1	FUSE 150 AMP		5711144091
F2	56387328	1	CIRCUIT BREAKER 5A	Controls	5711144071
F3	56026198	1	CIRCUIT BREAKER 30 AMP	Wheel Drive	5711144013
K1	56397088	1	CONTACTOR 24V SPDT	Replaces 56412179 for Brush Remove Option	5711144079
K1	56412179	1	CONTACTOR 24 VDC	Brush Motor	5711144091
K2	56412179	1	CONTACTOR 24 VDC	Vac Motor	5711144091
K3	56396286	1	RELAY SPST 24V	Brush Remove/Optional	5711144078
L1	56397203	1	SOLUTION VALVE ASSY.		5711144080
M1	56396311	1	MOTOR 24V DC 1/2HP	Wheel Drive	5711144078
M1	56397139	4	CARBON BRUSH SET OF 4	Not shown	5711144079
M2	56027153	1	MOTOR 24V	Left Brush	5711144013
M2	56397048	1	BRUSH BOARD SPRINGS/BRUSHES	Not shown	5711144079
M2	56397090	1	BEARING B.E.	Not shown	5711144079
M2	56397135	1	BEARING F.E.	Not shown	5711144079
M2	56397138	4	BRUSH SPRING	Not shown	5711144079
M2	56397139	4	CARBON BRUSH SET OF 4	Not shown	5711144079
M3	56027153	1	MOTOR 24V	Right Brush	5711144013
M3	56397048	1	BRUSH BOARD SPRINGS/BRUSHES	Not shown	5711144079
M3	56397090	1	BEARING B.E.	Not shown	5711144079
M3	56397135	1	BEARING F.E.	Not shown	5711144079
M3	56397138	4	BRUSH SPRING	Not shown	5711144079
M3	56397139	4	CARBON BRUSH SET OF 4	Not shown	5711144079
M4	56397041	1	MOTOR VAC 24VDC		5711144079
M4	56397098	1	CARBON BRUSH SET	Not shown	5711144079
M5	56388520	1	NUT PLASTIC	Not shown	5711144071
M5	56393303	1	ACTUATOR	Brush Lift - TSBUS2004-870	5711144075
M5	56393790	2	SWITCH LIMIT	Not shown	
M5	56470433	1	BRUSH KIT MOTOR	Not shown	
R1	56397029	1	POTENTIOMETER 5K	Throttle	5711144079
R2	56397123	1	POTENTIOMETER 25K	Speed Limit	5711144079
S3	56396305	1	SWITCH SPST TOGGLE	Main Power	5711144078
BT1		1	NOTE COMMENT	Batteries - not available	5701715456

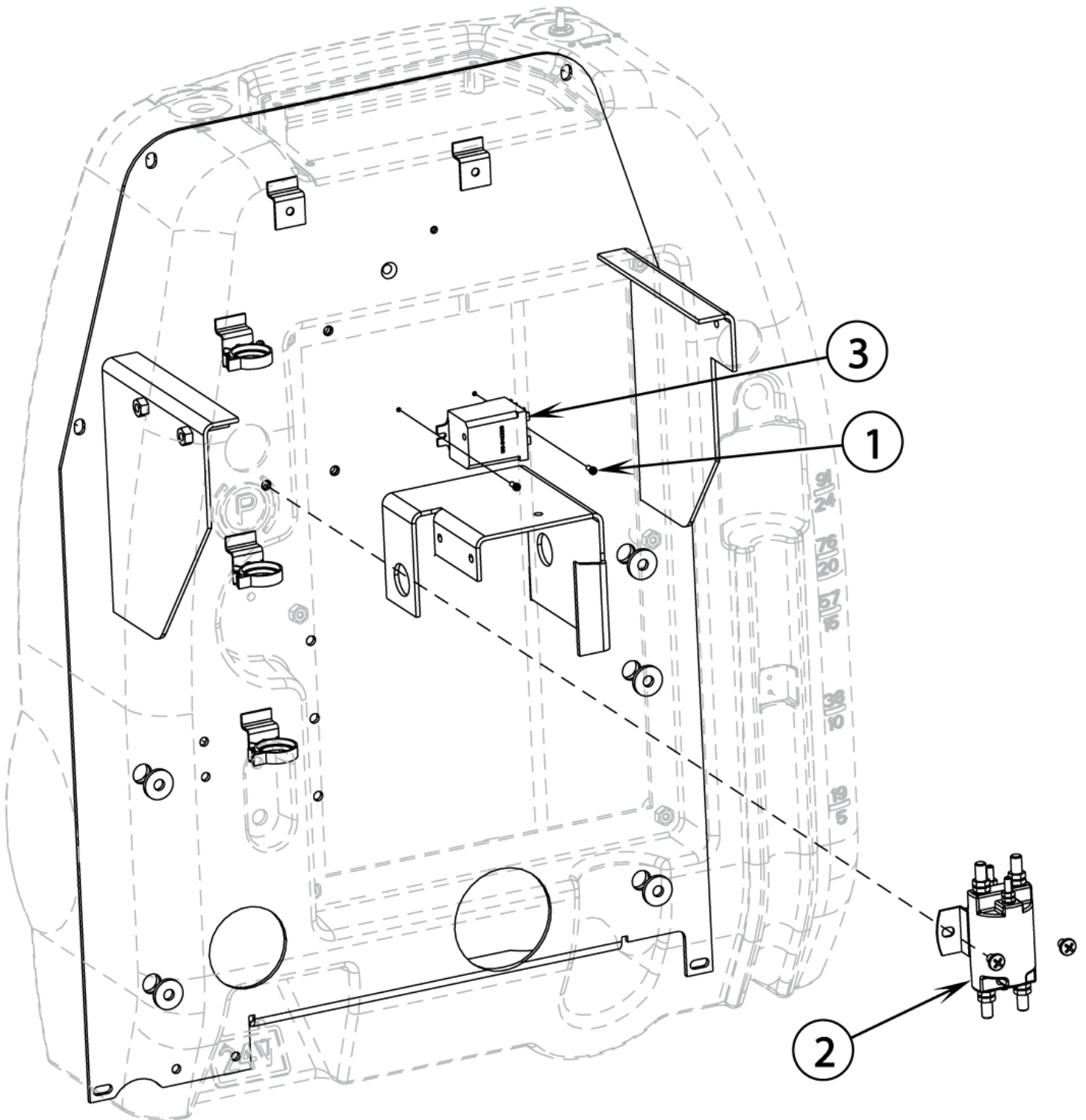
# BRUSH CLICK-OFF KIT

BA 750 ST / 850 ST

28-03-2011

Part List ID  
E116128

36



# BRUSH CLICK-OFF KIT

BA 750 ST / 850 ST

28-03-2011

Part List ID

E116128

37

Pos	Part no.	Qty	Description	EAN
0	56396301	1	KIT BRUSH CLICK OFF 24V	5711144078
1	56002539	2	SCR PAN PHIL TD FORM 6 32 X.31	5711144001
2	56397088	1	CONTACTOR 24V SPDT	5711144079
3	56396286	1	RELAY SPST 24V	5711144078



# PARKING BRAKE KIT

BA 750 ST / 850 ST

28-03-2011

Part List ID

E116130

39

Pos	Part no.	Qty	Description	EAN
0	56396302	1	KIT PARKING BRAKE	
1	56321559	1	GROMMET .375 E00059	5711144062
2	56002503	1	SCR HEX 10 24 X .50	5711144001
3	56003358	1	SCR HEX M6 X 25.0	5711144005
4	56003403	1	NUT HEX NYL LOC M6 X 1.00	5711144005
5	56002832	1	NUT HEX NYL LOC THIN 10 24	5711144002
6	56056323	1	ASSY. VERNIER CONTROL	5711144017
7	56056245	1	BRAKE MECHANICAL CALIPER	5711144017
8	56001841	2	SCR SOC SET LOC 1/4 20 X .25	5711144000

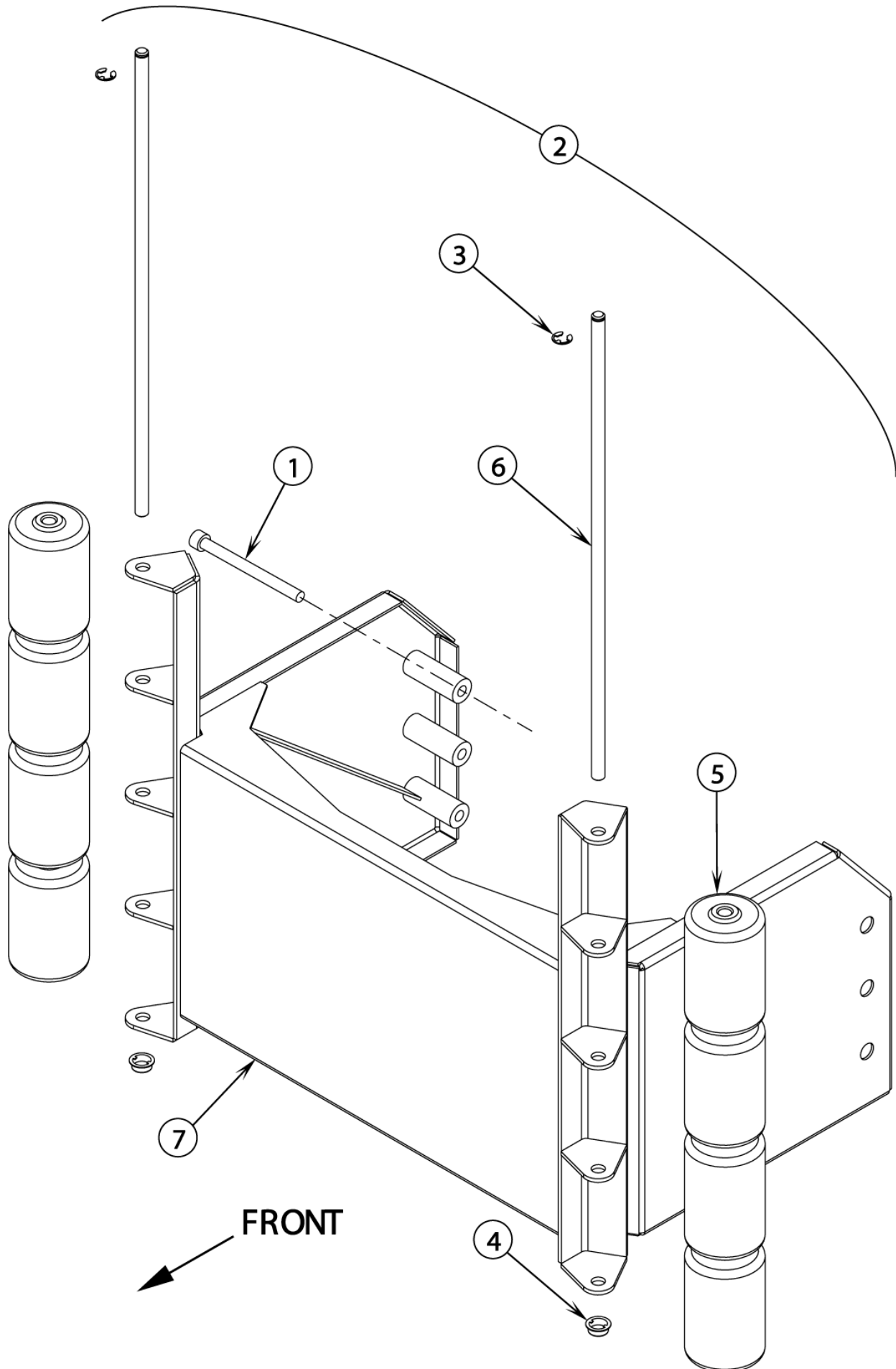
# INDUSTRIAL BUMPER KIT

BA 750 ST / 850 ST

28-03-2011

Part List ID E116132

40





# INDUSTRIAL BUMPER KIT

BA 750 ST / 850 ST

28-03-2011

Part List ID

E116132

41

Pos	Part no.	Qty	Description	EAN
2	56396134	1	ASSEMBLY BUMPER INDUSTRIAL	
			Pos. 3-7	
3	56003264	2	RING RET EXT TYPE E	5711144004
4	56009097	2	NUT PUSH CAP 1/2	5711144008
5	56392102	8	ROLLER	5711144074
6	56392809	2	ROD	
7	56396133	1	WELDMENT BUMPER INDUSTRIAL	5711144077

# Optional kits and accessories

BA 750 ST / 850 ST

28-03-2011

Part List ID  
E116134

42

Ref. No.	Qty	Description
----------	-----	-------------

## Optional Kits

**	56396301	1	Kit, Brush Click-Off 24V(All Models)
**	56396302	1	Kit, Parking Brake (All Models)
**	56396307	1	Kit, Industrial Bumper(CMAX 28ST)
**	56397450	1	Hose / Wand Kit

## 28" Squeegee Blade Kits

**	56391340	1	Blade Kit(Gum Rubber) NOTE #1
**	56391342	1	Oil Resistant Blade Kit (Neoprene) NOTE #1
**	56396172	1	Blade Kit (Linatex) NOTE #1

## 32" Squeegee Blade Kits

**	56397094	1	Blade Kit(Gum Rubber) NOTE #1
**	56397106	1	Blade Kit (Linatex) NOTE #1
**	56397595	1	Blade Kit (Oil Resistant) NOTE #1

## Accessories

**	56397453	4	Indicator, Battery Level(1 per battery)
----	----------	---	---

## Optional Batteries

**	56391391	4	Battery, 6V 305AH
**	56206079	4	Battery, 6V 238AH
**	56206117	4	Battery, 6V 195AH

## Optional Battery Chargers

**	56388109	A/R	Charger, 24V 25A 110V
**	56031409	A/R	Charger, 24V, 36A 110V

\*\* = Optional, Not Included

**NOTE #1:** All squeegee blade kits include both front and rear squeegee blades.

# Optional kits and accessories

BA 750 ST / 850 ST

28-03-2011

Part List ID

E116134

43

Pos	Part no.	Qty	Description	EAN
1	56396301	1	KIT BRUSH CLICK OFF 24V	5711144078
2	56396302	1	KIT PARKING BRAKE	
5	56391340	1	BLADE KIT SQUEEGEE GUM	5711144073
6	56391342	1	BLADE KIT SQUEEGEE NEO	5711144073
7	56396172	1	BLADE KIT SQGEE RED GUM	5711144078
8	56397094	1	BLADE KIT SQUEEGEE GUM	5711144079
9	56397106	1	BLADE KIT SQGEE RED GUM	5711144079
10	56397595	1	BLADE KIT SQUEEGEE NEO	5711144081
11	56397453	4	INDICATOR BATTERY LEVEL	5711144080
13	56206079	4	BATTERY 6V 242AH WET	
15	56388109	1	CHARGER 24V AUTO 25 AMP	5711144071

All parts is Optional, Not included

NOTE #1: All squeegee blade kits include both front and rear squeegee blades.

# BRUSH / DISC SELECTOR GUIDE

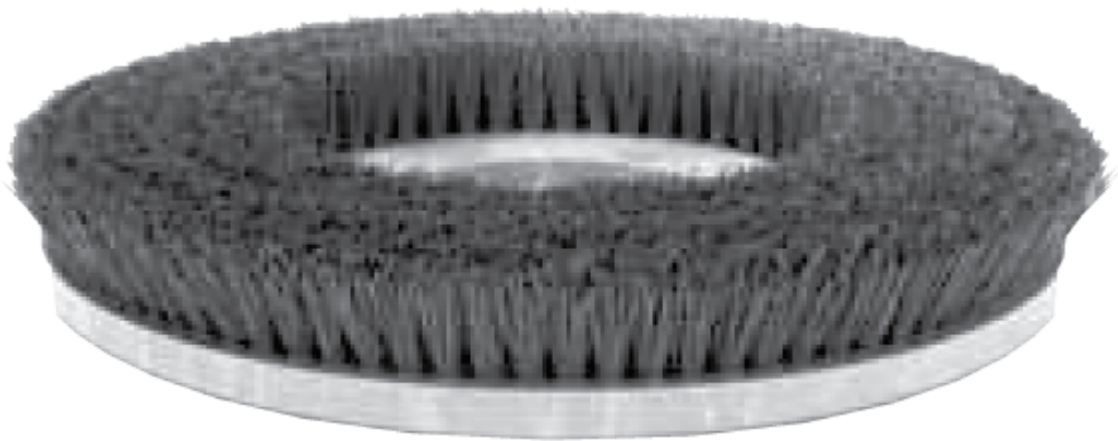
BA 750 ST / 850 ST

28-03-2011

Part List ID

E116135

44



# BRUSH / DISC SELECTOR GUIDE

BA 750 ST / 850 ST

28-03-2011

Part List ID

E116135

45

Pos	Part no.	Qty	Description		EAN
1	56505780	1	PAD HOLDER 17 3 LUG	BA 750ST	5711144128
1	56505781	1	DISC BRUSH 17 MAGNAGRIT 3 LUG	BA 750ST	5711144128
1	56505782	1	DISC BRUSH 17 DYNAGRIT 3 LUG	BA 750ST	5711144128
1	56505783	1	DISC BRUSH 17 AGLITE 3 LUG	BA 750ST	5711144128
1	56505784	1	DISC BRUSH 17 PROLENE 3 LUG	BA 750ST	5711144128
1	56505785	1	DISC BRUSH 17 PROLITE 3 LUG	BA 750ST	5711144128
1	56505786	1	DISC BRUSH 17 UNION MIX 3 LUG	BA 750ST	5711144128
1	56505787	1	DISC BRUSH 17 MIDGRIT 3 LUG	BA 750ST	5711144128
1	56505788	1	DISC BRUSH 17 MIDLITE 3 LUG	BA 750ST	5711144128
1	56505800	1	PAD HOLDER 14 3 LUG	BA 850ST	5711144129
1	56505801	1	DISC BRUSH 14 MAGNAGRIT 3 LUG	BA 850ST	5711144129
1	56505802	1	DISC BRUSH 14 DYNAGRIT 3 LUG	BA 850ST	5711144129
1	56505803	1	DISC BRUSH 14 AGLITE 3 LUG	BA 850ST	5711144129
1	56505804	1	DISC BRUSH 14 PROLENE 3 LUG	BA 850ST	5711144129
1	56505805	1	DISC BRUSH 14 PROLITE 3 LUG	BA 850ST	5711144129
1	56505806	1	DISC BRUSH 14 UNION MIX 3 LUG	BA 850ST	5711144129
1	56505807	1	DISC BRUSH 14 MIDGRIT 3 LUG	BA 850ST	5711144129
1	56505808	1	DISC BRUSH 14 MIDLITE 3 LUG	BA 850ST	5711144129

# 56396302 - Parking Brake Kit

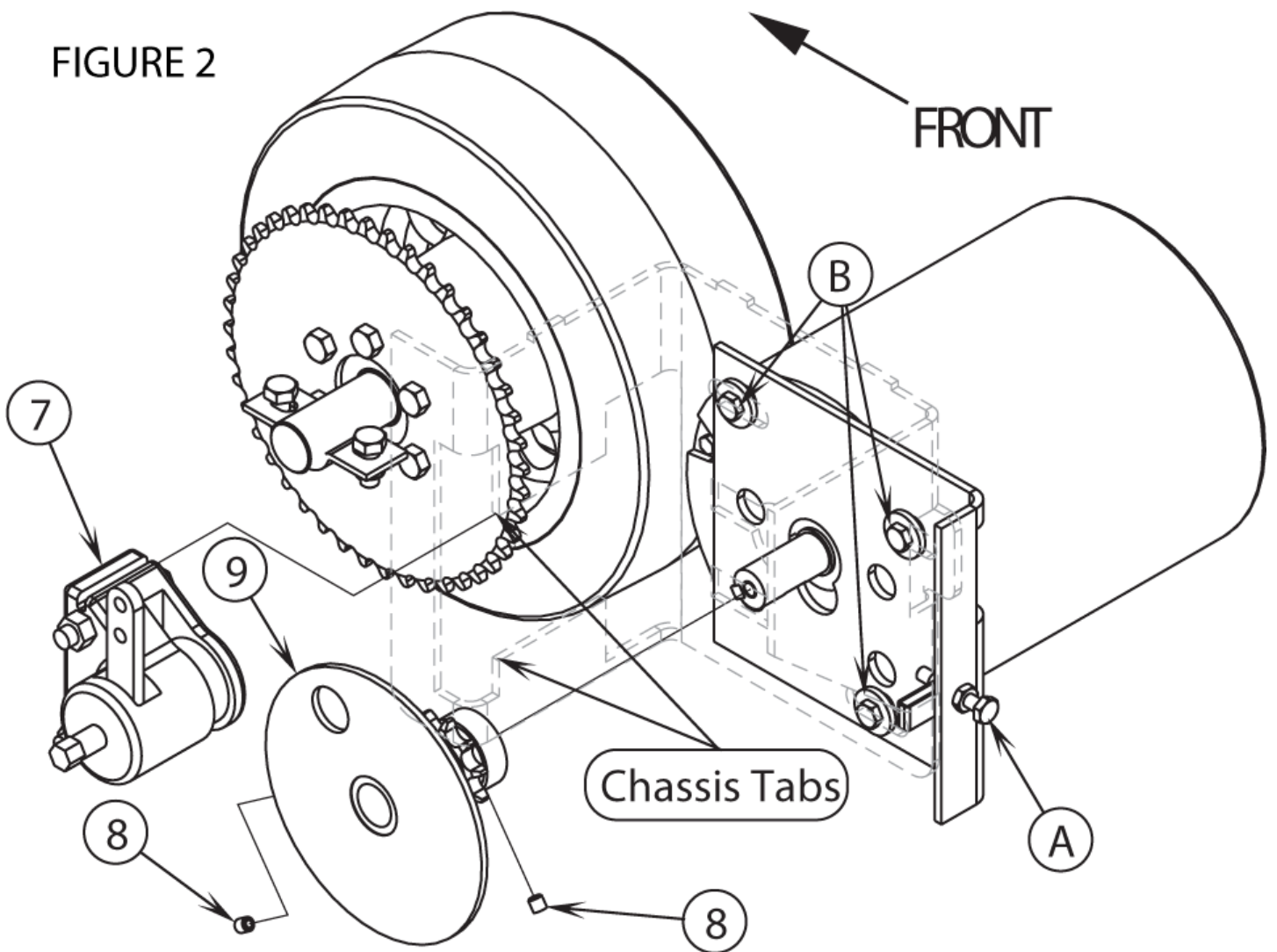
BA 750 ST / 850 ST

28-03-2011

Part List ID  
IS56040763FIG2

46

FIGURE 2



# 56396302 - Parking Brake Kit

BA 750 ST / 850 ST

28-03-2011

Part List ID  
IS56040763FIG2

47

Pos	Part no.	Qty	Description	EAN
1	56321559	1	GROMMET .375 E00059	5711144062
2	56002503	1	SCR HEX 10 24 X .50	5711144001
3	56003358	1	SCR HEX M6 X 25.0	5711144005
4	56003403	1	NUT HEX NYL LOC M6 X 1.00	5711144005
5	56002768	1	NUT HEX NYL LOC 10 24	5711144002
6	56056323	1	ASSY. VERNIER CONTROL	5711144017
7	56056245	1	BRAKE MECHANICAL CALIPER	5711144017
8	56001841	2	SCR SOC SET LOC 1/4 20 X .25	5711144000

# 56396302 - Parking Brake Kit

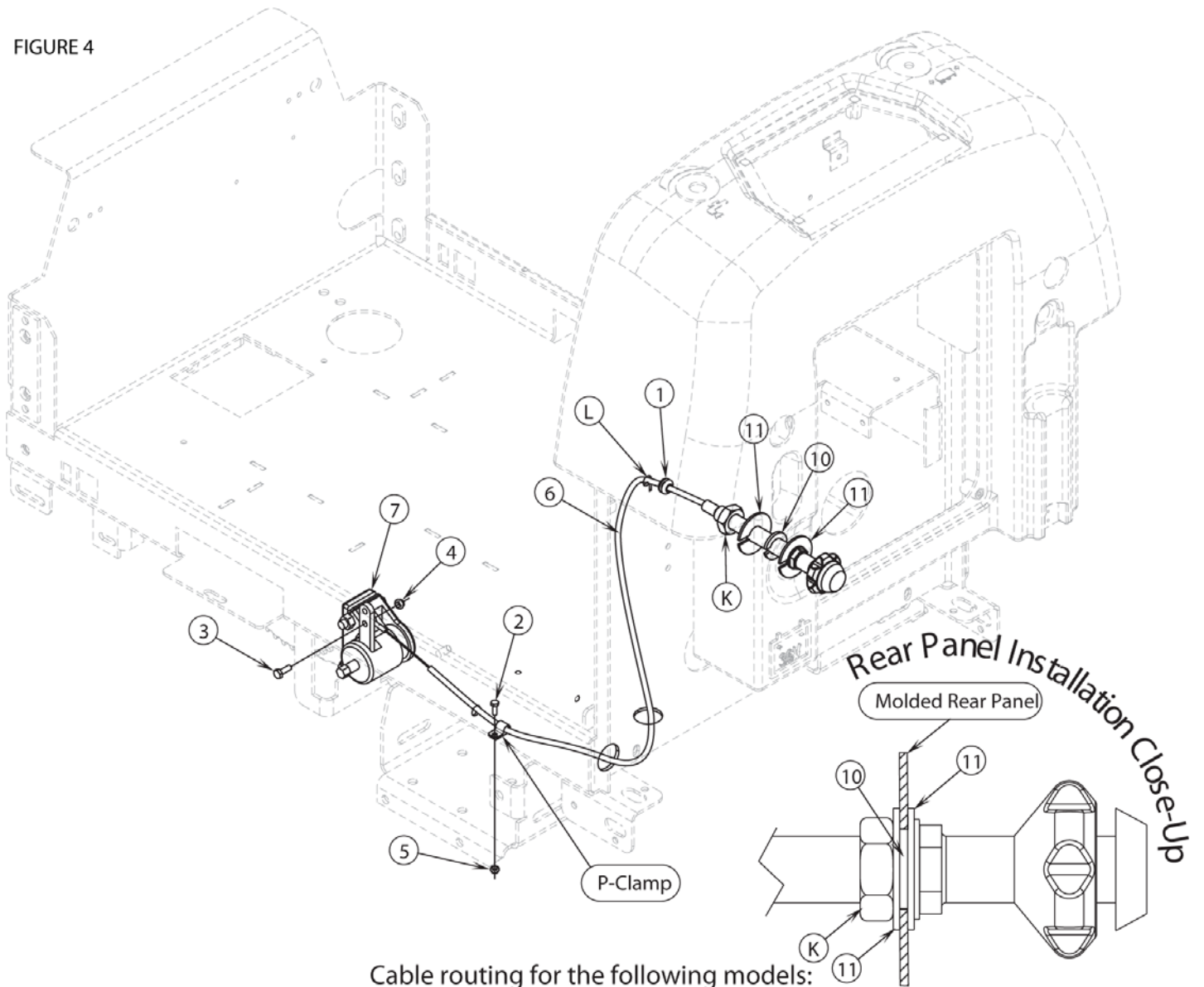
BA 750 ST / 850 ST

28-03-2011

Part List ID  
IS56040763FIG4

48

FIGURE 4



Cable routing for the following models:  
I-MAX 28C, I-MAX 32C, CMAX 34ST, BA 750C



# 56396302 - Parking Brake Kit

BA 750 ST / 850 ST

28-03-2011

Part List ID  
IS56040763FIG4

49

Pos	Part no.	Qty	Description	EAN
1	56321559	1	GROMMET .375 E00059	5711144062
2	56002503	1	SCR HEX 10 24 X .50	5711144001
3	56003358	1	SCR HEX M6 X 25.0	5711144005
4	56003403	1	NUT HEX NYL LOC M6 X 1.00	5711144005
5	56002768	1	NUT HEX NYL LOC 10 24	5711144002
6	56056323	1	ASSY. VERNIER CONTROL	5711144017
7	56056245	1	BRAKE MECHANICAL CALIPER	5711144017
8	56001841	2	SCR SOC SET LOC 1/4 20 X .25	5711144000

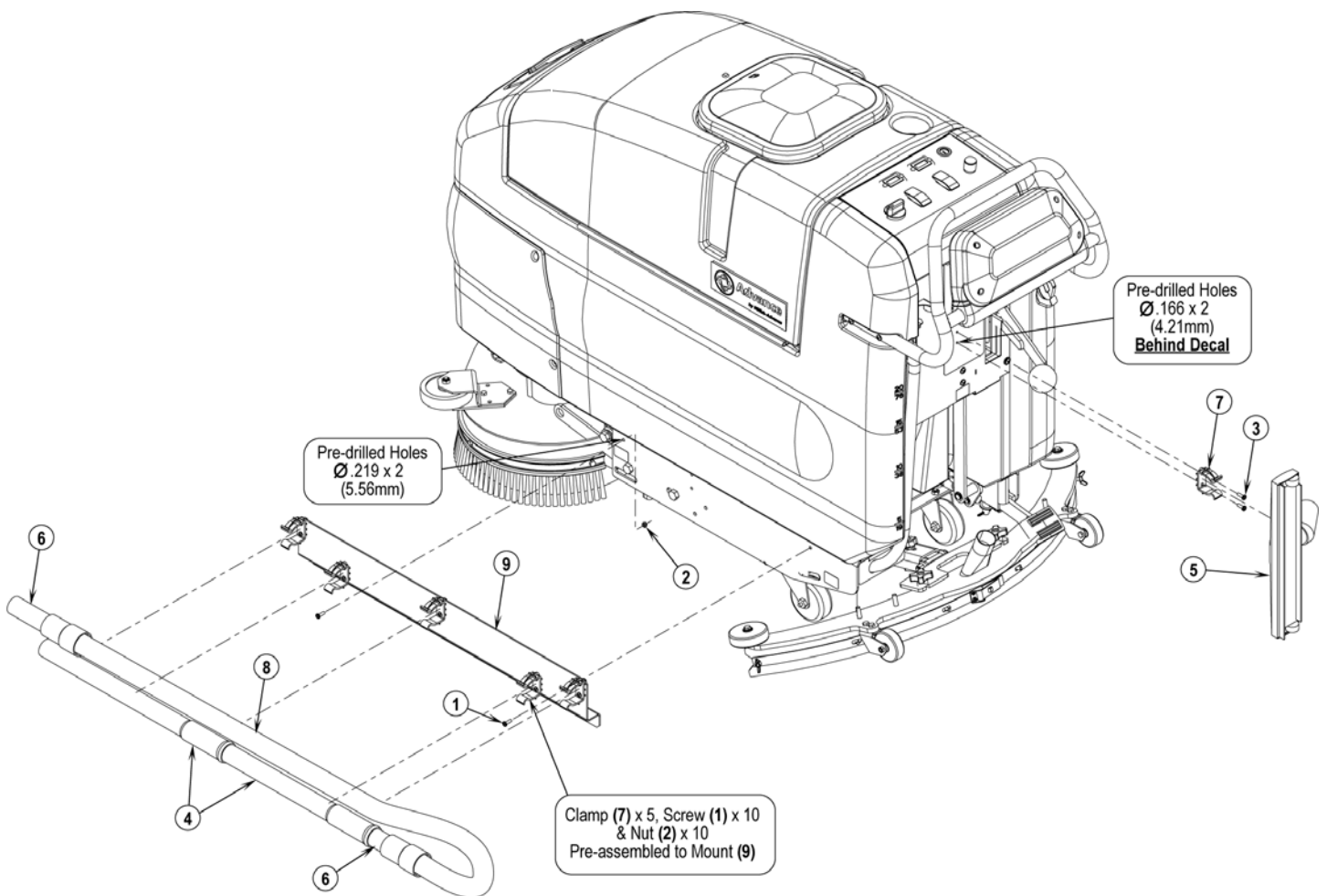
# 56397450 - Hose / Wand Kit

BA 750 ST / 850 ST

28-03-2011

Part List ID  
IS56040772

50



# 56397450 - Hose / Wand Kit

BA 750 ST / 850 ST

28-03-2011

Part List ID  
IS56040772

51

Pos	Part no.	Qty	Description	EAN
1	56002124	12	SCREW10 24 X .62 PNH PH	5711144000
2	56002832	12	NUT HEX NYL LOC THIN 10 24	5711144002
3	56009042	2	SCR PANPHIL THD FORM 10 24X.62	5711144007
5	140 7629 000	1	WET NOZZLE CPL.	7319519486
6	56204536	2	COUPLER EXTENSION HP63	5711144030
7	56392171	6	CLAMP PLASTIC	5711144074

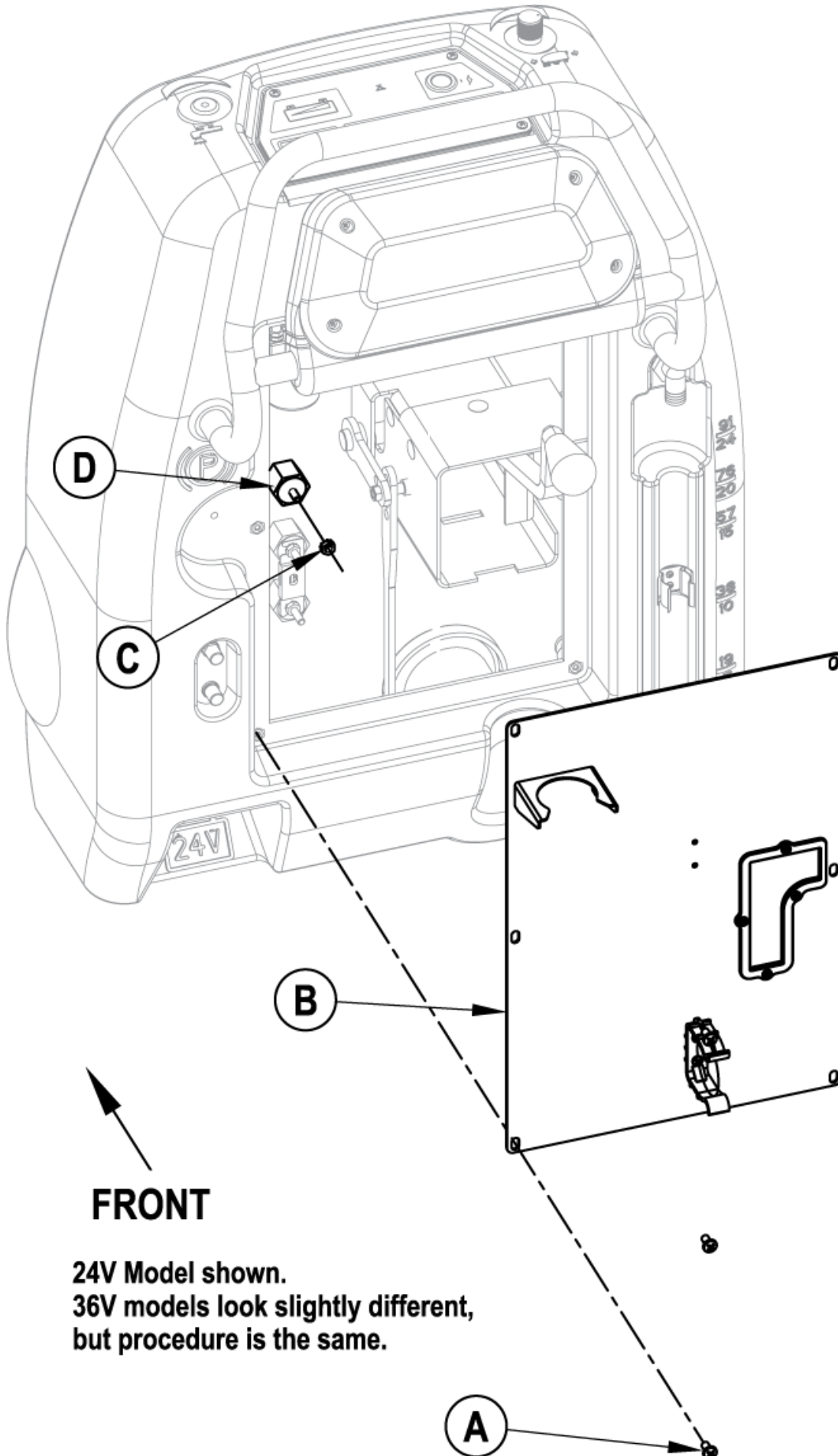
# 56396499 - Actuator Wire Kit

BA 750 ST / 850 ST

28-03-2011

Part List ID  
IS56040836

52



24V Model shown.  
36V models look slightly different,  
but procedure is the same.

# 56396499 - Actuator Wire Kit

BA 750 ST / 850 ST

28-03-2011

Part List ID  
IS56040836

53

Pos	Part no.	Qty	Description	EAN
2	56478246	3	CABLE TIE E00549 RE438BA	5711144124