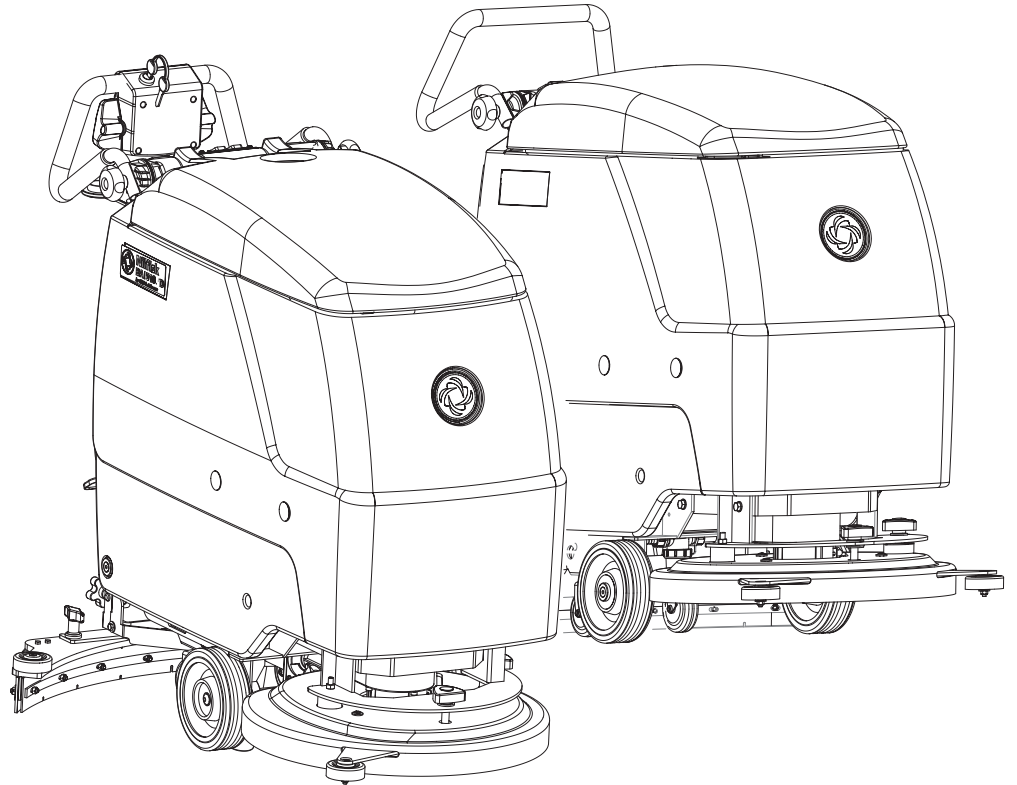


BA 430S / 510S

BA 430S D / BA 510S D



CATALOGO RICAMBI
PARTS LIST
PIECES DE DETACHEES
ERSATZTEILLISTE

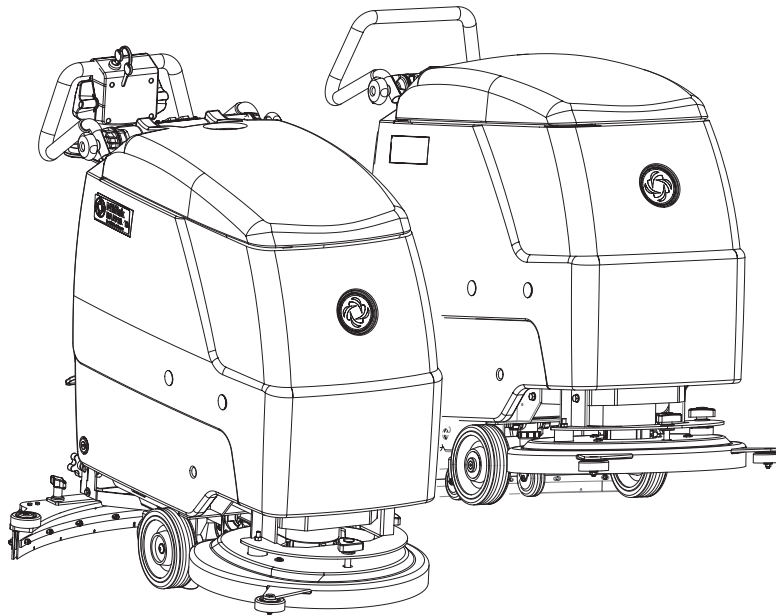


Nilfisk
Advance

setting standards

08812943(4)2004-11





I

GB

D

F

Pagina- Page
Seite - Page

VISTA GENERALE	GENERAL VIEW	GESAMTANSICHT	VUE GENERAL	2 - 3
GRUPPO SERBATOIO	TANK SYSTEM	TANK GRUPPE	RESERVOIR	4 - 7
GRUPPO MANIGLIONE	HANDLE ASSEMBLY	FUEHRUNGSBUEGEL GRUPPE	MANCHE DE CONDUIT GROUPE	8 - 9
GRUPPO TELAIO	CHASSIS SYSTEM	CHASSIS SYSTEM	CHASSIS SYSTEM	10 - 11
GRUPPO TELAIO D	CHASSIS SYSTEM D	CHASSIS SYSTEM D	CHASSIS SYSTEM D	12 - 13
GRUPPO ELETTROVALVOLA	SOLUTION SYSTEM	WASSERZUFUEHRUNG	CIRCUIT DE SOLUTION	14 - 19
GRUPPO ELETTROVALVOLA D	SOLUTION SYSTEM D	WASSERZUFUEHRUNG D	CIRCUIT DE SOLUTION D	20 - 21
GRUPPO TERGITORE	SQUEEGEE ASSEMBLY	SAUGDUESENGRUPPE	SYSTEME D'EMBOCHOURE	22 - 23
GRUPPO SPAZZOLA BA 430	BRUSH SYSTEM BA 430	BUERSTENANTRIEBE BA 430	MOTEUR DE LA BROSSE BA 430	24 - 25
GRUPPO SPAZZOLA BA 510	BRUSH SYSTEM BA 510	BUERSTENANTRIEBE BA 510	MOTEUR DE LA BROSSE BA 510	26 - 27
GRUPPO SPAZ. DEC. BA510	OFF-SET BRUSH SYSTEM BA510	BUERSTENANTRIEBE BA 510	MOTEUR DE LA BROSSE BA510	28 - 29
PANNELLO DI CONTROLLO	CONTROL PANEL SYSTEM	ARMATUREN BRETT	TABLEAU DE BORD	30 - 31
SISTEMA ELETTRICO	WIRING SYSTEM	ELEKTRISCHE SYSTEM	SYSTEM ELECTRIQUE	32 - 33
SISTEMA ELETTRICO D	WIRING SYSTEM D	ELEKTRISCHE SYSTEM D	SYSTEM ELECTRIQUE D	34 - 37
SCHEMA ELETTRICO	WIRING DIAGRAM	SCHALTPLAN	DIAGRAMME ELECTRIQUE	38
SCHEMA ELETTRICO D	WIRING DIAGRAM D	SCHALTPLAN D	DIAGRAMME ELECTRIQUE D	39
RICAMBI CONSIGLIATI	RECOMMENDED SPARE PARTS	EMPFOHLENE ERSATZTEILE	PIECES DE RECHANGE RECOM.	40 - 41

WHEN ORDERING PARTS

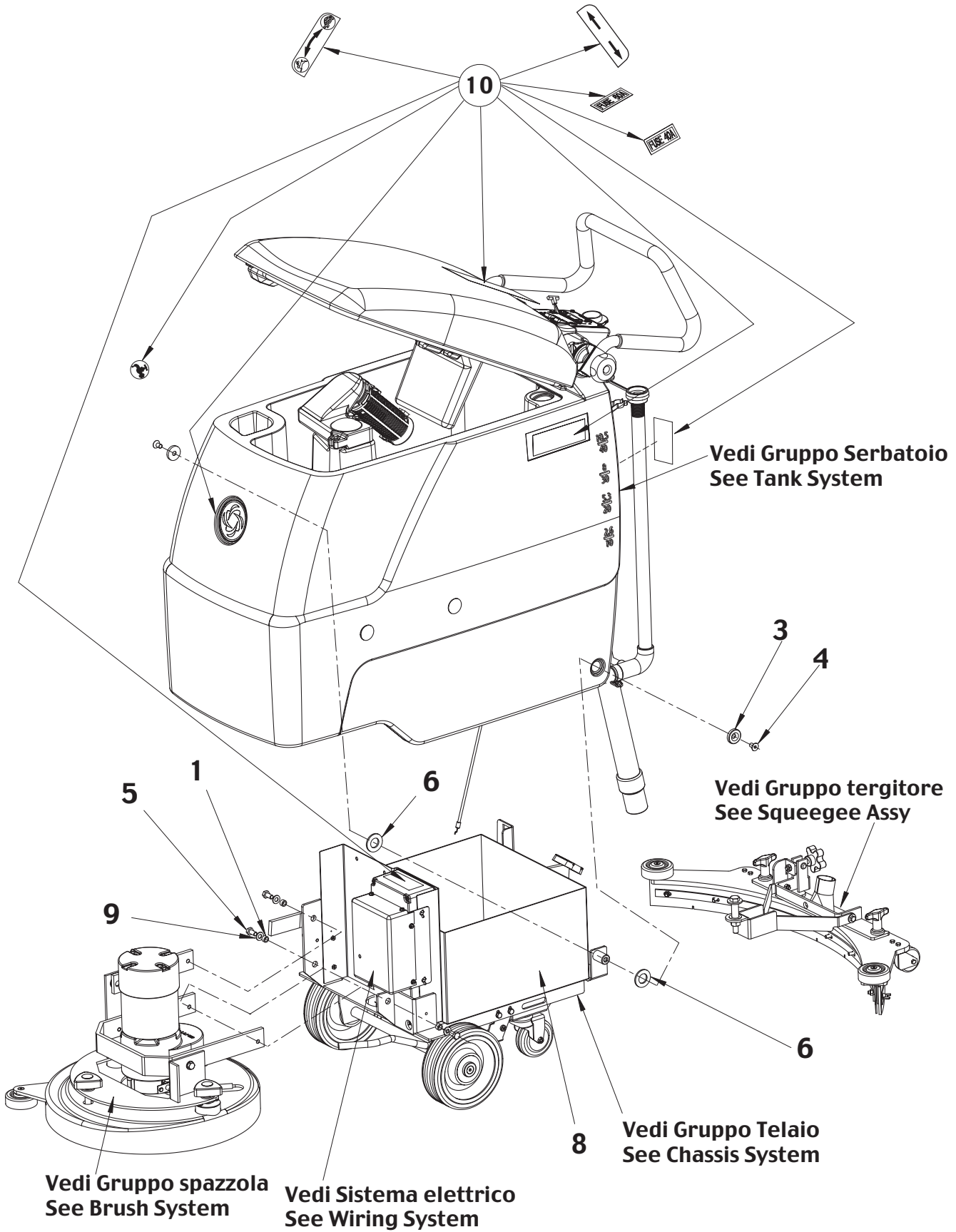
- * Use the 8, 9 or 10 digit numbers from the "Ref. No." columns in this parts list.
- * Specify the model and serial number of the machine.
- * Use the space below to record the model and the serial number for future reference.

Model _____ Serial No. _____

*** = Optional**

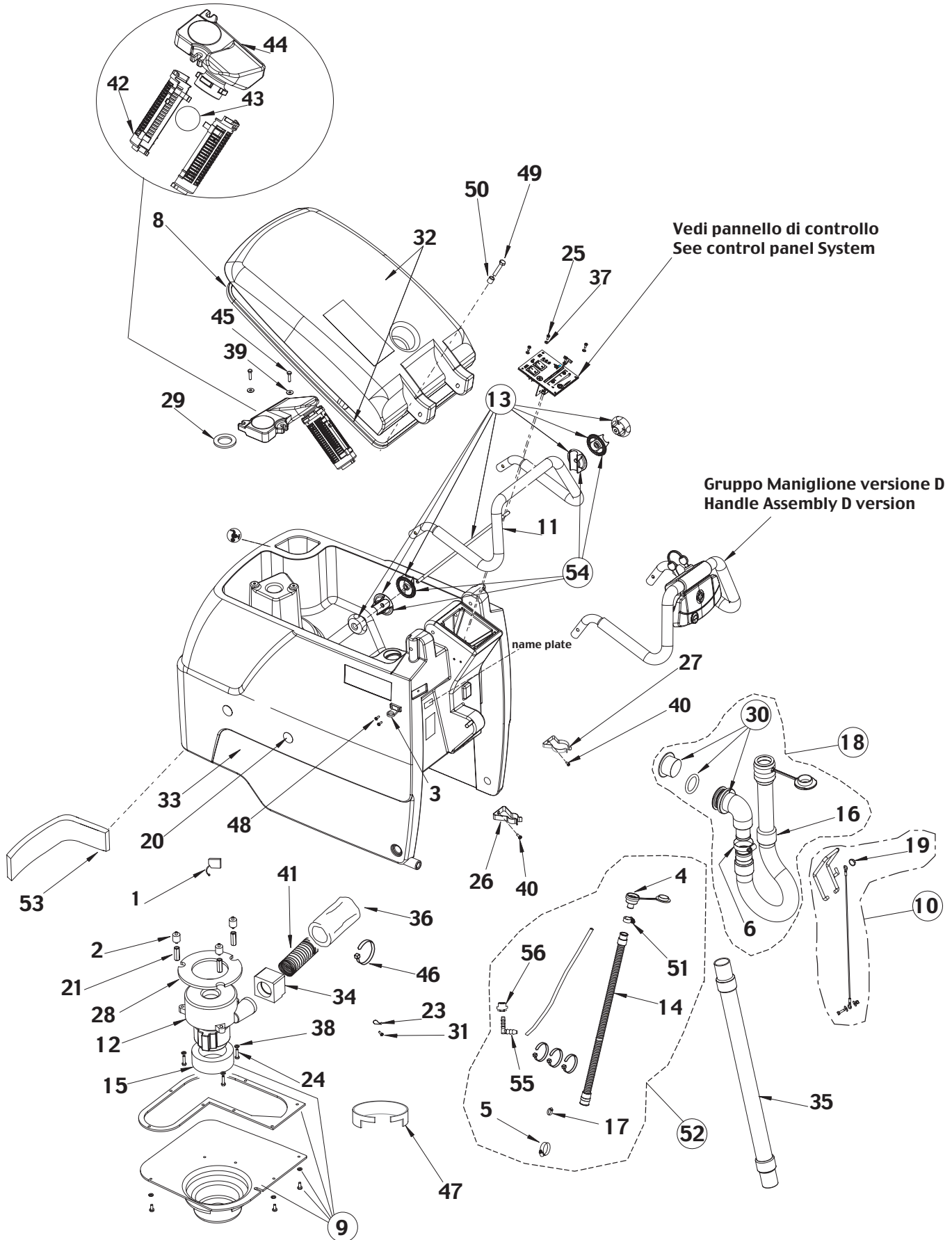
= Modified Item no. or New Item no.

0 = Not shown



2004-11	VISTA GENERALE / GENERAL VIEW	BOOK E		
2003-08	BA 430S / 510S - BA 430S D/ BA 510S D	E	2.9.1	3

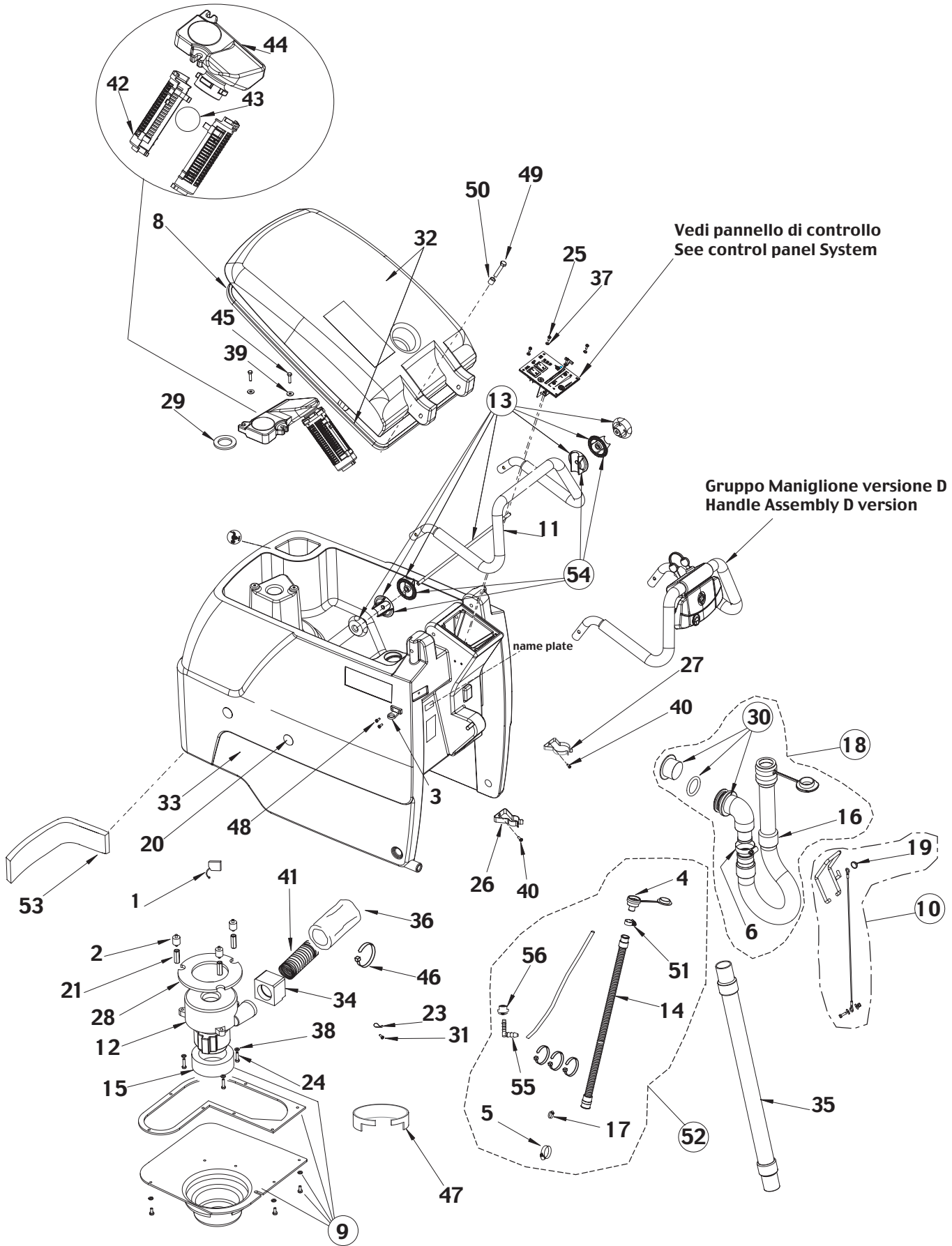
Pos Item Bild Rép	Codice Ref. No. Art. Nr. Réf. No	Quantità Qty Menge Qté	Descrizione	Description	Beschreibung	Désignation
1	08812325	3	Distanziale	Spacer	Abstandstueck	Entretoise
3	08812392	2	Distanziale per serbat.	Spacer for tank	Abstandstueck fuer Tank	Entretoise
4#	145 5033 000	2	Vite M8x20	Screw M8x20	Schraube	Vis
5	08274300	3	Vite es. M8x16	Screw hex hd M8x16	Schraube	Vis
6#	08812439	2	Rondella piana nylon	Washer flat nylon	Beilagscheibe	Rondelle
8	08812758	1	Contenitore batterie	Battery container	Batteriebehaelter	Bac de batterie
9	08085700	3	Rondella piana	Washer flat	Beilagscheibe	Rondelle
10	08603856	1	Kit adesivi BA 430S/430SD	Kit decals BA 430S/430SD	Zusatz Klebstreif. BA430S/430SD	Kit adhesifs BA 430S/430SD
10	08603857	1	Kit adesivi BA 510S/510SD	Kit decals BA 510S/510SD	Zusatz Klebstreif. BA510S/510SD	Kit adhesifs BA 510S/510SD



2004-11	GRUPPO SERBATOIO /TANK SYSTEM		BOOK E		
2003-08	BA 430S / 510S - BA 430S D/ BA 510S D		E	2.9.1	5

Pos Item Bild Rép	Codice Ref. No. Art. Nr. Réf. No	Quantità Qty Menge Qté	Descrizione	Description	Beschreibung	Désignation
1c	08812887	2	Carboncino motoreasp.	Carbon brush	Kohlenbuerste	Charbon
1d	909 5074 000	1	Kit carboncini	Carbon brushes kit	Kohlenbuerste Satz	Charbons kit
2	08812462	3	Antivibrante M6	Buffer	Schwingungsdampfer	Silent bloc
3	08812082	1	Attacco cavo caricabatteria	Hose guide	Kabel Befestigung	Cable attache
4	08603868	1	Chiusura tubo acqua pul.	Closure solution hose	Verschluß frisch.Wasser	Bouchon
5	08236100	1	Fascetta stringitubo	Clamp	Passring	Collier
6	145 0543 000	1	Fascetta stringitubo	Clamp	Passring	Collier
8	08603836	1	Guarnizione coperchio	Gasket, tank cover	Dichtung	Joint
9	08603858	1	Kit isolante acustico	Kit acoustic cover cpl	Zusatz Schalldampfend	Kit panneau antibruit
10a	08603859	1	Kit leva sollevamento terg.	Squeegee lift.lever kit	Zusatz Saugd.Aufhebung	Kit soulevement du suc.
10b	08603970	1	Kit leva sollevamento terg.	Squeegee lift.lever kit	Zusatz Saugd.Aufhebung	Kit soulevement du suc.
11	08812901	1	Maniglione com. senza traz.	Handle bar w/o traction	Fuehrungsbuegel	Manche de conduite
12	08603888	1	Kit motore asp.+ connettore	Kit suct.motor+ connec.	Saugmotor mit Stecker	Moteur aspiration avec prise
13	08603860	1	Kit regolazione maniglione	Handle adjusting kit	Zusatz Fuehrungsbug.reglung	Kit reglage manche cond.
14#	909 5515 000	1	Tubo acqua pulita	Solution hose	Frischwasserschlauch	Tuyau eau fraiche
15	08812977	1	Tubo isolante motore asp.	Acoustic insulation	Isolierschlauch	Tube isolant
16	08812869	1	Tubo scarico acqua	Drain hose	Abwasserschlauch	Tuyau de vidage
17#	145 8582 000	1	Fascetta	Clamp	Passring	Collier
18	08812873	1	Kit tubo acqua sporca	Kit drain hose	Zusatzabwasserschlauch	Kit flexib.de vidage
19	08603935	1	Copri perno ø8	Shaft retainer ø8	Stiftdeckung	Anneau ressort
20	08812457	4	Tappo per serbatoio	Cap, tank locking	Pfropfen	Bouchon
21	08812468	3	Distanziale esagonale	Spacer	Abstanstueck	Entretoise
23	08603845	3	Fascetta fissacablaggio	Clamp	Passring	Collier
24	08232600	3	Vite M6x25	Screw M6x25	Schraube	Vis
25	08603668	4	Vite 4x14 autofilettante	Screw 4x14 thd form	Schraube	Vis
26	08812966	1	Fascetta fissatubo ø 25	Clamp ø25 SS	Passring	Collier
27	08812967	1	Fascetta fissatubo ø 50	Clamp ø50 SS	Passring	Collier
28	08602410	1	Guarnizione motore asp.	Gasket suction motor	Dichtung	Joint
29	08812968	1	Guarnizione adesiva	Gasket	Dichtung	Joint
30	08812874	1	Kit manicotto	Kit elbow	Zusatzelbogen	Kit manchon
31	08603041	3	Vite 5x10	Screw	Schraube	Vis
32	08812897	1	Coperchio serb.con guarniz.	Tank lid cpl. with gasket	Tankdeckel mit Dichtung	Couvercle reser.avec joint
33	08812896	1	Serbatoio	Tank	Tank	Reservoir
34	08812318	1	Manicotto mot. aspirazione	Acoustic insulation	Muffe	Manchon
35e#	909 5582 000	1	Tubo aspirazione flessibile	Suction Hose	Saugschlauch	Flexible d'aspiration
36	145 8589 000	1	Tubo fonoassorbente	Acoustic ins. hose	Schalldampfenschlauch	Tuyau antibruit
37	145 0441 000	4	Rondella piana inox	Washer, flat SS	Beilagscheibe	Rondelle
38	08602395	3	Rondella piana	Washer, flat	Beilagscheibe	Rondelle
39	08603689	2	Rondella piana	Washer, flat	Beilagscheibe	Rondelle
40	145 8095 000	2	Vite M5x12 inox	Screw M5x12 SS	Schraube	Vis
41#	909 5704 000	1	Tubo superflex L=390	Flexible hose L=390	Schlauch L=390	Tuyau flexible L=390
42	08812259	2	Contentore galleggiante	Float cage	Schwimmer kpl.	Systeme de flotteur
43	08812373	1	Galleggiante	Floating ball	Ball	Flotteur
44	08812926	1	Porta galleggiante	Support, float cage	Schwimmer halter	Support flotteur
45	08603918	2	Vite es. 6x25 inox	Screw hex hd 6x25 SS	Schraube	Vis
46	145 0541 000	1	Fascetta	Clamp	Passring	Collier
47	909 5042 000	1	Fonoassorbente per mot.	Acoustic insulation	Schalldampfend f. mot.	Isolant antibruit
48	145 4481 000	2	Vite 5x20	Screw 5x20	Schraube 5x20	Vis 5x20
49	08603681	1	Vite fissa serbatoio 6x80	Screw tank fixing 6x80	Schraube Tankfixierung	Vis pour fixation reservoir
50	08812449	1	Distanziale	Spacer	Abstandstueck	Entretoise

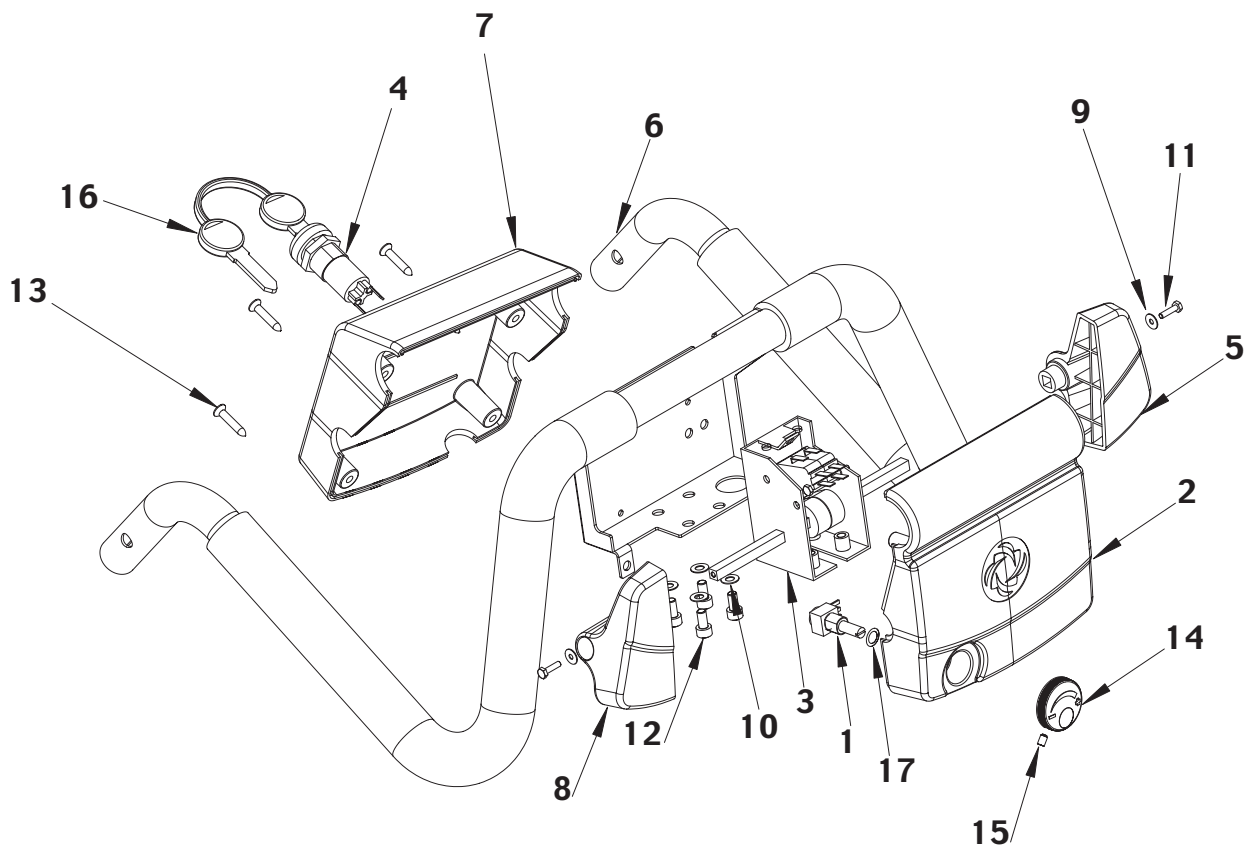
- (a) 08603859 valid before serial number 030300440 before ODM 1391 - (b) 08603970 valid starting from serial number 030300440 - (c) 08812887 for Fise vacuum motor - (d) 909 5074 000 for Ametek vacuum motor TSB IT 2003-005 - (e) Modification implemented to avoid brakes and improve flexibility of the hose in order to allow wide movements of the squeegee TSB IT 2004-017 BA 430S D serial number 042707834 - BA 510S D 042707853



2004-11	GRUPPO SERBATOIO /TANK SYSTEM	BOOK E		
2003-08	BA 430S / 510S - BA 430S D/ BA 510S D	E	2.9.1	7

Pos Item Bild Rép	Codice Ref. No. Art. Nr. Réf. No	Quantità Qty Menge Qté	Descrizione	Description	Beschreibung	Désignation
51#	08603916	1	Fascetta	Clamp	Passring	Collier
52#	909 5527 0000	1	Kit tubo acqua pulita	Kit solution hose	Frischwasserschlauch Satz	Kit tuyau eau propre
53	08603910	1	Guarnizione foncoassorbente	Insulation gasket	Schalldampfend. Dichtung	Joint isolant antibruit
54	909 5099 000	1	Kit regolatore maniglione	Handle adjuster kit	Zusatz Fuehrungsbug.regler	Kit regulateur manche cond.
55#	909 5285 000	1	Raccordo 90°	Elbow 90°	Elbogen	Raccord
56#	909 5286 000	1	Guarnizione	Gasket	Dichtung	Joint

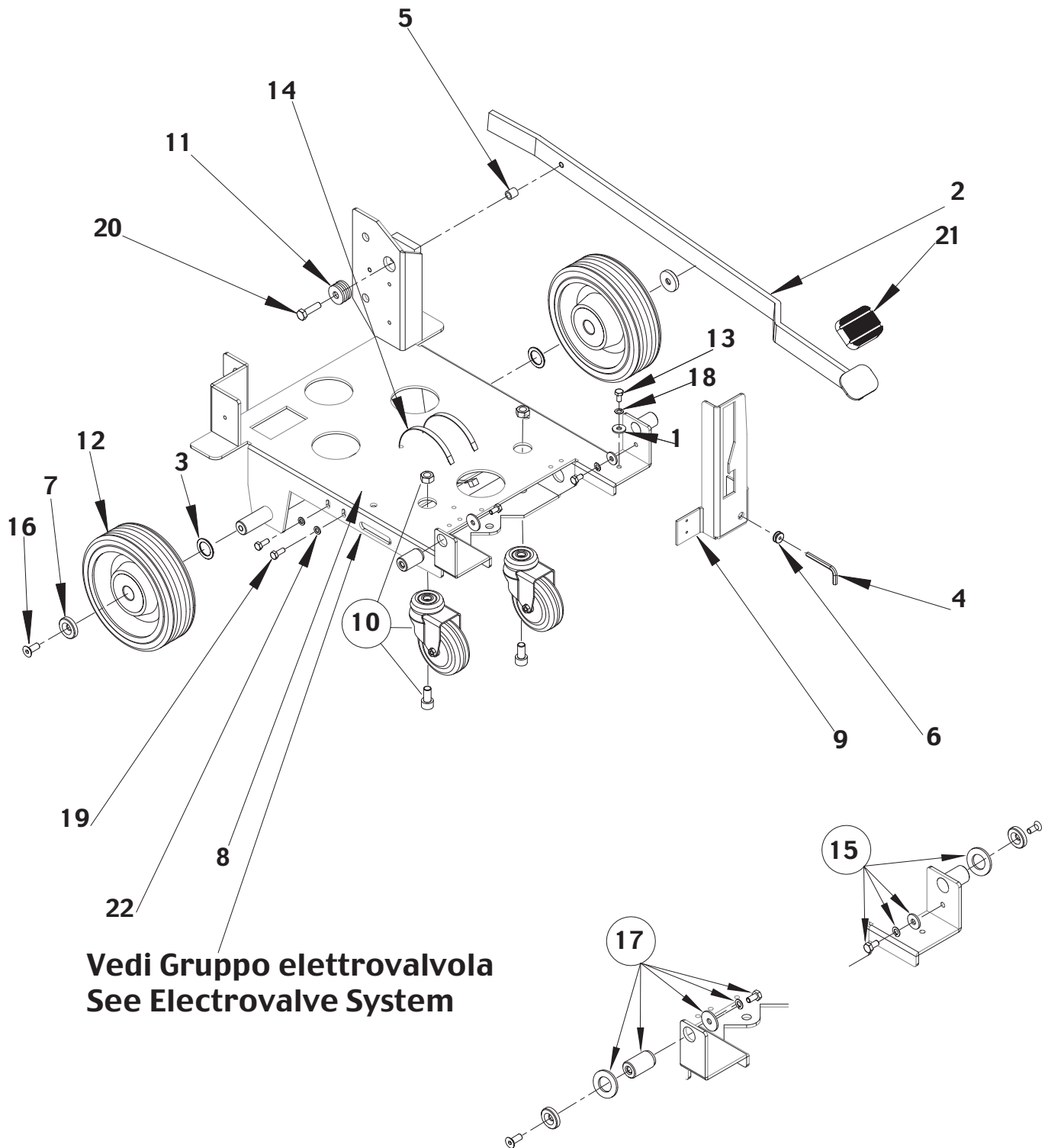
- (f) New solution hose: kit which replaces the old one 08603903, **TSB IT 2004-009**, modified to avoid interferences between squeegee suction hose and side solution hose - BA 430S D starting from serial number 041805591 - BA 510S 041805595 - See Installation Instruction 909 5528 000 - New solution hose 909 5515 000 is valid for scrubbers BA430S D starting from serial number 041805591 - BA 510S 041805595 only



2004-11	GRUPPO MANIGLIONE /HANDLE ASSEMBLY		BOOK E		
2003-08	BA 430S D / 510S D		E	2.9.1	9

Pos Item Bild Rép	Codice Ref. No. Art. Nr. Réf. No	Quantità Qty Menge Qté	Descrizione	Description	Beschreibung	Désignation
1	909 5123 000	1	Cablaggio potenziometro	Harness, potentiometer	Kabelverbindung	Cablage machine
2	909 5118 000	1	Coperchio plancia sup.	Switch housing front	Schaltergehäuse vorne	Boite interrup.avant
3#	909 5705 000	1	Comando avanzamento	Speed controller	Geschwindigkeit Controller	Controle de vitesse
4	145 0372 000	1	Interruttore a chiave	Key switch	Schalter	Interrupteur
5	909 5119 000	1	Leva comando dx	Lever right	Hebel rechts	Levier droite
6	909 5113 000	1	Maniglione comando x traz.	Handle bar drive version	Fuehrungsbugel	Manche de conduite
7a#	909 5117 000	1	Coperchio plancia inf.	Switch housing rear	Schaltergehäuse hinten	Boite interupr.arriere
7b#	909 5521 000	1	Coperchio plancia inf.	Switch housing rear	Schaltergehäuse hinten	Boite interupr.arriere
8	909 5120 000	1	Leva comando sx	Lever left	Hebel links	Levier gauche
9	08812097	2	Rondella piana 3x9 inox	Washer flat 3x9 SS	Beilagscheibe	Rondelle
10	08040400	4	Rondella piana 5x10	Washer flat 5x10	Beilagscheibe	Rondelle
11	145 9117 000	2	Vite TE M3x12	Screw hex hd M3x12	Schraube	Vis
12	145 1238 000	4	Vite TE M5x10	Screw hex hd M5x10	Schraube	Vis
13	145 5871 000	4	Vite TSPEI 4,2x23 autof.	Screw thd form	Schraube	Vis
14	909 5116 000	1	Pomello potenziometro	Potentiometer knob	Potentiometer Drehknopf	Potentiometer Boule
15	146 0621 000	1	Grano M4x6	Dowel	Stift	Goupille
16	146 0806 000	1	Chiave (2pz)	Key (2 pcs)	Schluessel (2 Stk)	Cle (2 pcs)
17	145 9320 000	1	Rondella piana 10x21	Washer flat	Beilagscheibe	Rondelle

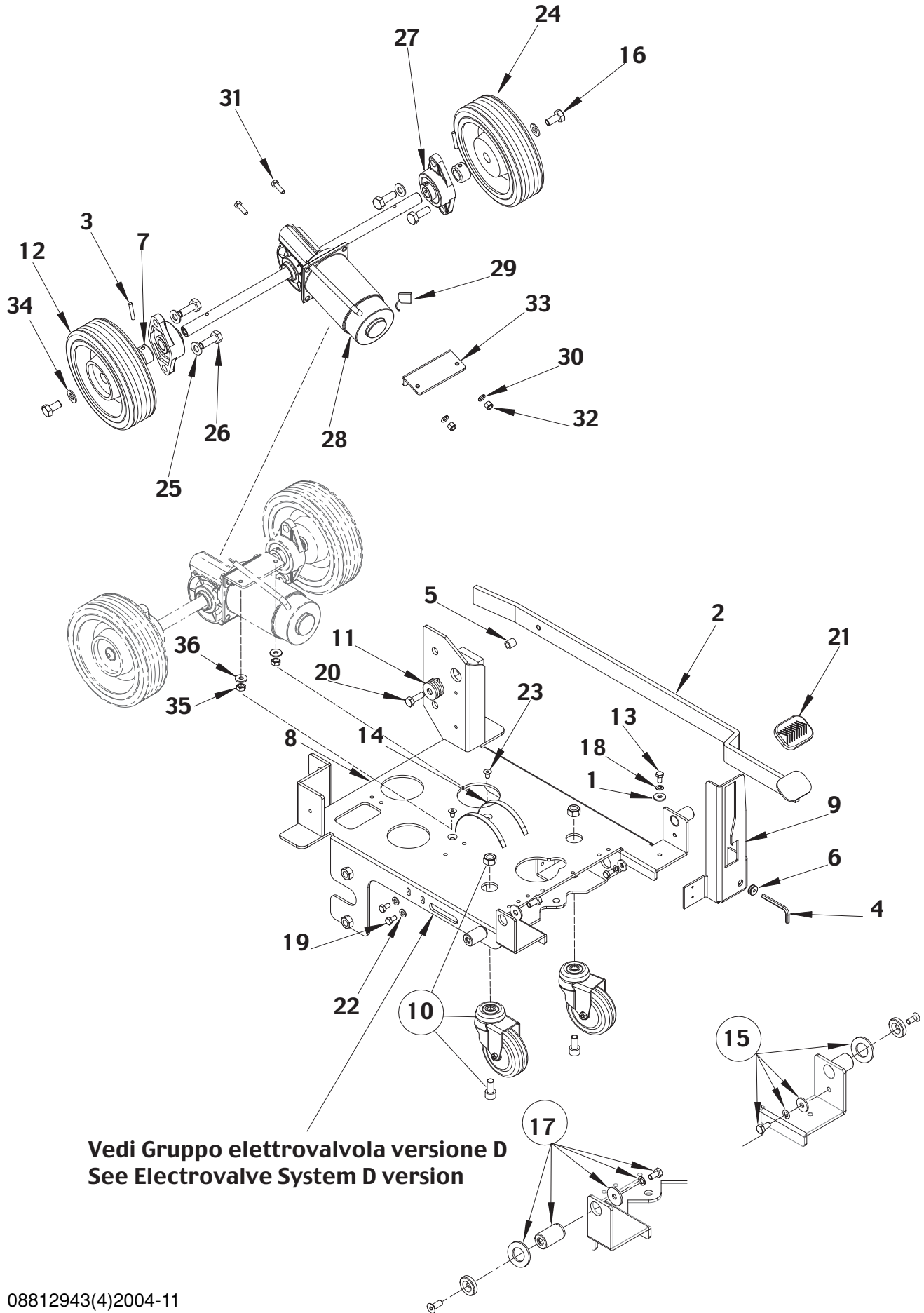
- (a) Old lower paddle cover before serial number 043009258 - (b) New lower paddle cover from serial number 043009258 see **TSB IT 2004-018**



**Vedi Gruppo elettrovalvola
See Electrovalve System**

2004-11	GRUPPO TELAIO/ CHASSIS SYSTEM	BOOK E		
2003-08	BA 430S / 510S	E	2.9.1	11

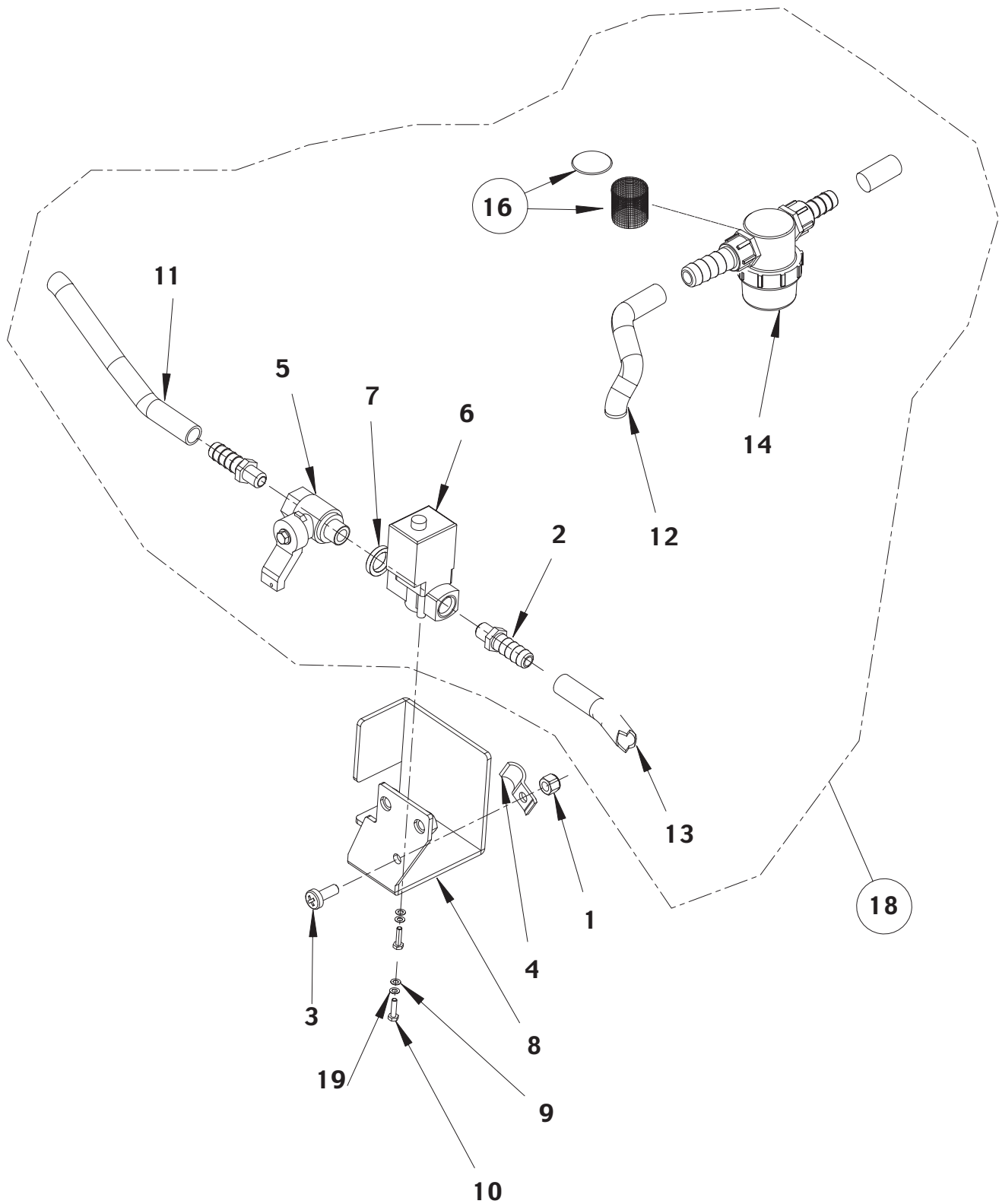
Pos Item Bild Rép	Codice Ref. No. Art. Nr. Réf. No	Quantità Qty Menge Qté	Descrizione	Description	Beschreibung	Désignation
1	08228600	2	Rondella piana	Washer flat	Beilagscheibe	Rondelle
2	08812925	1	Pedale sollevamento spaz.	Pedal, brush lifting	Pedal Buerste aufhebung	Pedal
3	08812936	2	Distanziale ruota anteriore	Spacer	Abstandstueck	Entretoise
4	08063800	1	Chiave esagonale 5	Key	Schluessel	Cle
5#	08812324	1	Distanziale	Spacer	Abstanstueck	Entretoise
6	08812388	1	Passacavo	Cable guide	Kabelfuehrung	Guide cable
7	08812392	2	Distanziale	Spacer	Abstandstueck	Entretoise
8a#	909 5152 000	1	Telaio vers. senza traz.	Chassis non drive vers.	Chassis ohne Antr. Aus.	Chassis sans traction
9	08812893	1	Guida pedale	Guide	Pedal Fuehrung	Pedal guide
10	08603861	1	Kit ruota pivoet. posteriore	Kit castor wheel rear	Zusatz Rad	Kit roue
11#	08085700	3	Rondella	Washer	Beilagscheibe	Rondelle
12	08812939	2	Ruota anteriore	Wheel front	Rad vorn	Roue avant
13#	08326100	2	Vite es. M6x12	Screw hex hd M6x12	Schraube	Vis
14	145 0541 000	2	Fascetta	Clamp	Passring	Collier
15	08603862	1	Kit supporto serbatoio dx	Kit tank support right	Zusatz Tankbefestig. rechts	Kit support reserv. droite
16	145 5033 000	2	Vite M8x20	Screw M8x20	Schraube	Vis
17	08603863	1	Kit supporto serbatoio sx	Kit tank support left	Zusatz Tankbefestig. links	Kit support reserv. gauche
18	145 9228 000	2	Rondella elastica sp.	Washer	Beilagscheibe	Rondelle
19	145 9261 000	2	Vite esagonale M6x16	Screw hex hd M6x16	Schraube	Rondelle
20#	08367300	1	Vite TE M8x25	Screw TE M8x25	Schraube	Vis
21	145 8478 000	1	Copripedale in gomma	Pedal cover	Pedalmantel	Protection pedal
22	145 9128 000	2	Rondella piana	Washer flat	Beilagscheibe	Rondelle



2004-11	GRUPPO TELAIO/ CHASSIS SYSTEM		BOOK E		
2003-08	BA 430S D / 510S D		E	2.9.1	13

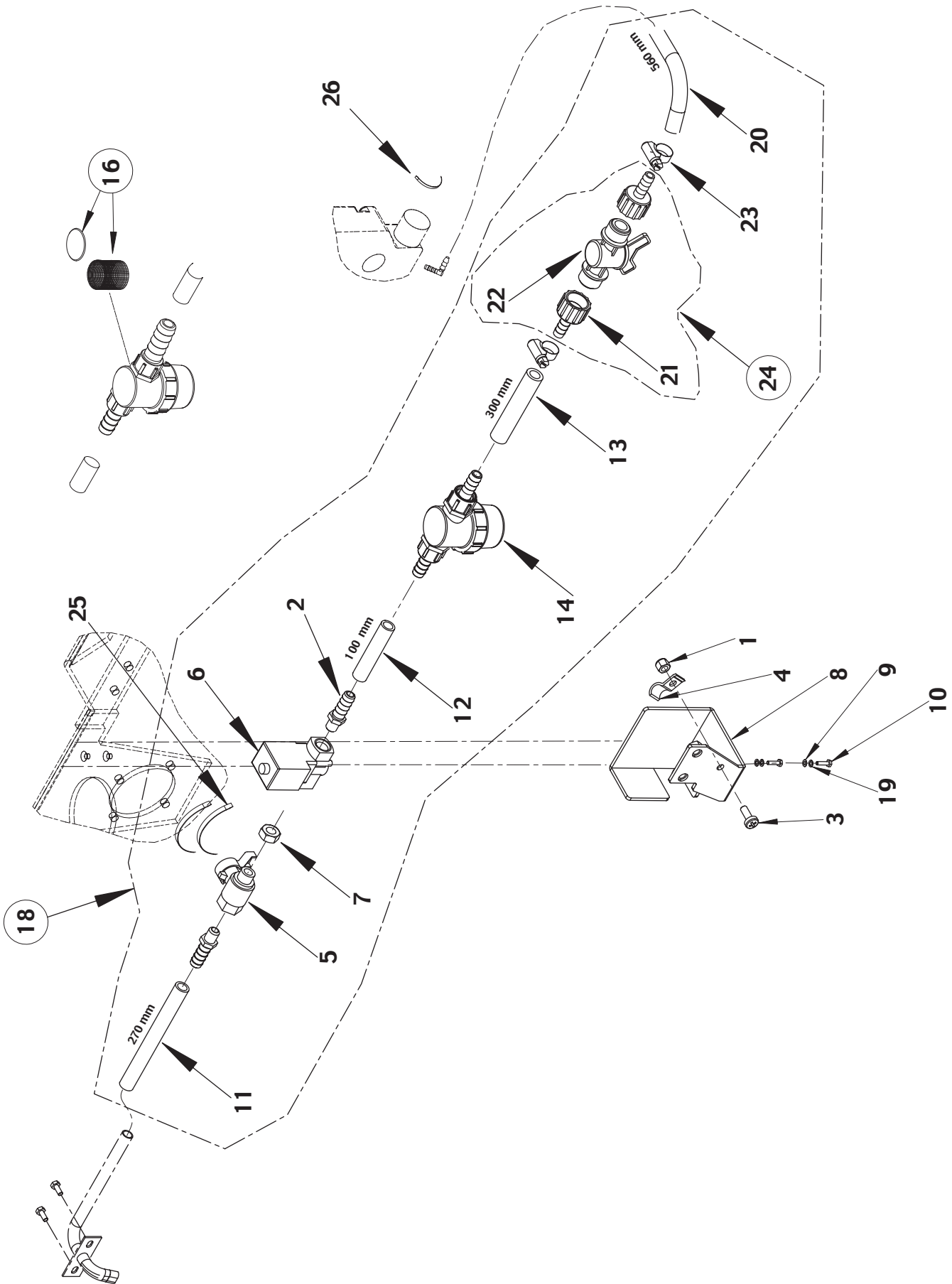
Pos Item Bild Rép	Codice Ref. No. Art. Nr. Réf. No	Quantità Qty Menge Qté	Descrizione	Description	Beschreibung	Désignation
1	08228600	2	Rondella piana	Washer flat	Beilagscheibe	Rondelle
2	08812925	1	Pedale sollevamento spaz.	Pedal, brush lifting	Pedal Buerste aufhebung	Pedal
3#	145 4546 000	2	Spina	Pin	Stift	Goupille
4	08063800	1	Chiave esagonale 5	Key	Schluessel	Cle
5#	08812324	1	Distanziale	Spacer	Abstanstueck	Entretoise
6	08812388	1	Passacavo	Cable guide	Kabelfuehrung	Guide cable
7#	909 5272 000	2	Bussola	Bush	Buchse	Bague
8	909 5128 000	1	Telaio	Chassis	Chassis	Chassis
9	08812893	1	Guida pedale	Guide	Pedal Fuehrung	Pedal guide
10	08603861	1	Kit ruota pivoet. posteriore	Kit castor wheel rear	Zusatz Rad	Kit roue
11#	08085700	3	Rondella	Washer	Beilagscheibe	Rondelle
12	909 5112 000	1	Ruota ant. sx	Wheel	Rad	Roue
13	08326100	2	Vite es. M6x12	Screw hex hd M6x12	Schraube	Vis
14	145 0541 000	2	Fascetta	Clamp	Passring	Collier
15	08603862	1	Kit supporto serbatoio dx	Kit tank support right	Zusatz Tankbefestig. rechts	Kit support reserv. droite
16#	145 4473 000	2	Vite TBEI M10x20	Screw M10x20	Schraube	Vis
17	08603863	1	Kit supporto serbatoio sx	Kit tank support left	Zusatz Tankbefestig. links	Kit support reserv. gauche
18	145 9228 000	2	Rondella elastica sp.	Washer	Beilagscheibe	Rondelle
19	145 9261 000	2	Vite esagonale M6x16	Screw hex hd M6x16	Schraube	Rondelle
20#	08367300	1	Vite TE M8x25	Screw TE M8x25	Schraube	Vis
21	145 8478 000	1	Copripedale in gomma	Pedal cover	Pedalmantel	Protection pedal
22	145 9128 000	2	Rondella piana	Washer flat	Beilagscheibe	Rondelle
23#	145 4488 000	2	Vite TSPEI M6x10	Screw M61x10	Schraube	Vis
24	909 5111 000	1	Ruota anteriore dx	Wheel, front right	Rad vorne rechts	Roue
25#	145 1195 000	4	Rondella elastica	Washer	Beilagscheibe	Rondelle
26	145 9874 000	4	Vite TE M10x30	Screw hex hd M10x30	Schraube	Vis
27	909 5131 000	2	Flangia con cuscinetto	Flange	Flansch	Flasque
28a#	909 5273 000	1	Kit motoriduttore	Reduction gear motor kit	Verminderungsgetriebe	Kit motoreducteur
28b#	909 5271 000	1	Motoriduttore	Reduction gear motor	Verminderungsgetriebe	Motoreducteur
29	909 5157 000	2	Carboncino per motorid. 909 5271 000	Carbon brush for reduction- gear motor 909 5271 000	Kohlenbuerste f Vermind.909 5271 000	Charbons pour motored. 909 5271 000
30	08602395	2	Rondella piana	Washer flat	Beilagscheibe	Rondelle
31	145 9227 000	2	Vite TE M6x20	Screw hex hd M6x20	Schraube hex hd M6x20	Vis
32#	08361400	2	Dado basso es. M6	Hex. nut M6	Mutter	Ecrou
33	909 5129 000	1	Staffa	Bracket	Buegel	Support
34#	145 9320 000	2	Rondella	Washer	Beilagscheibe	Rondelle
35#	145 4527 000	2	Dado M6	Nut M6	Mutter	Ecrou
36#	145 9128 000	2	Rondella piana 6x12	Washer flat 6x12	Beilagscheibe	Rondelle

- (a) Old reduction motor 909 5115 000 valid before serial number 03380927 has been replaced from the kit code number 909 5273 000 which includes a pin and a bush (ODM 1542) - (b) New reduction motor code number 909 5271 000 starts from serial number 03380927



2004-11	GRUPPO ELETTROVALVOLA/ SOLUTION SYSTEM	BOOK E		
2003-08	BA 430S / 510S before serial number 032004955	E	2.9.1	15

Pos Item Bild Rép	Codice Ref. No. Art. Nr. Réf. No	Quantità Qty Menge Qté	Descrizione	Description	Beschreibung	Désignation
1	08361400	1	Dado es. M6 autobloc.	Nut hex M6 selflock.	Mutter	Ecrou
2	08601624	2	Portagomma 1/4	Rubber holder1/4	Schlauch halter	Raccord
3	145 9261 000	1	Vite M6x16	Screw m6x16	Schraube	Vis
4	08812352	1	Cavalotto fermacavo	Clamp	Verbindungsbruecke	Etrier
5	08812427	1	Rubinetto1/4 con leva	Ball grip thread	Hahn	Robinet
6	08812912	1	Elettrovalvola 24V	Solenoid valve 24V	Elektroventil	Electrovanne
7	08812257	1	Dado	Nut	Mutter	Ecrou
8	08812974	1	Staffa supporto elettrov.	Solenoid valve bracket	Buegel	Support
9	08812986	2	Rondella spaccata	Washer	Beilagscheibe	Rondelle
10	08603895	2	Vite es. M3x12 SS	Screw hex hd M3x12	Schraube	Vis
11	08603854	1	Tubo spiralato ø10 270 mm	Hose ø10 270 mm	Schlauch	Tuyau
12	08603855	1	Tubo spiralato ø10 560 mm	Hose ø10 560 mm	Schlauch	Tuyau
13	08603853	1	Tubo spiralato ø10 150 mm	Hose ø10 150 mm	Schlauch	Tuyau
14	909 5151 000	1	Kit filtro completo	Complete kit filter	Wasser Filter	Filter eau
16	08603893	1	Kit rete filtro conguarniz.	Kit net filter with gasket	Zusatz filter mit Dicht.	Kit filter avec joint
18	08603865	1	Kit elettrovalvola compl.	Solenoid valve kit compl.	Zusatz Magnetventil kpl	Kit electrovanne complet
19	08812097	2	Rondella piana inox	Washer flat SS	Beilagscheibe	Rondelle



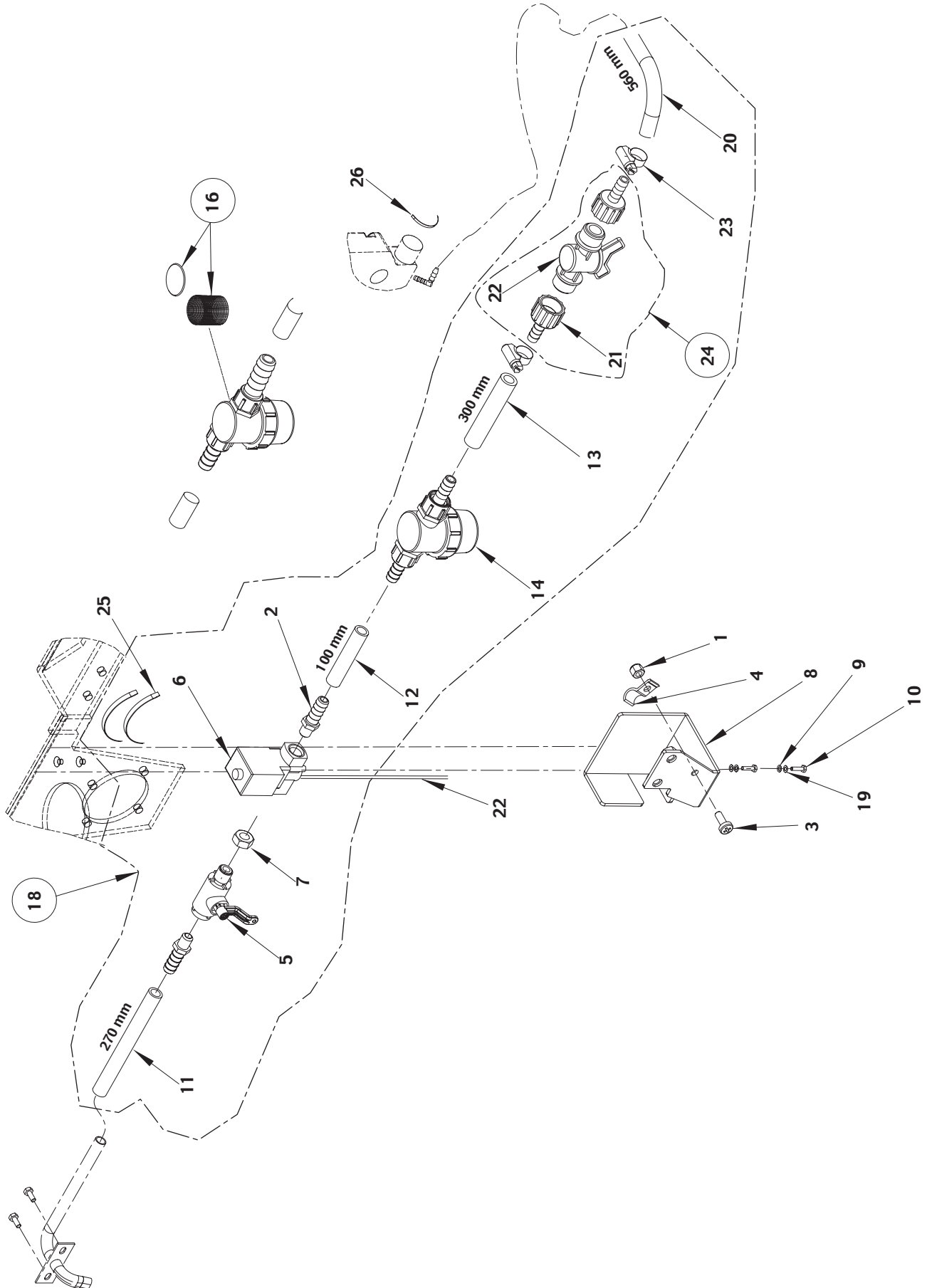
2004-11	GRUPPO ELETTROVALVOLA/ SOLUTION SYSTEM		BOOK E	
2003-08	BA 430S / 510S from serial no. 032004955 to 044042196		E	2.9.1
			17	

Pos Item Bild Rép	Codice Ref. No. Art. Nr. Réf. No	Quantità Qty Menge Qté	Descrizione	Description	Beschreibung	Désignation
1	08361400	1	Dado es. M6 autobloc.	Nut hex M6 selflock.	Mutter	Ecrou
2	08601624	2	Portagomma 1/4	Rubber holder	Schlauch halter	Raccord
3	145 9261 000	1	Vite M6x16	Screw m6x16	Schraube	Vis
4	08812352	1	Cavalloetto fermacavo	Clamp	Verbindungsbruecke	Etrier
5	08812427	1	Rubinetto1/4 con leva	Ball grip thread	Hahn	Robinet
6	08812912	1	Elettrovalvola 24V	Solenoid valve 24V	Elektroventil	Electrovanne
7	08812257	1	Dado	Nut	Mutter	Ecrou
8	08812974	1	Staffa supporto elettrov.	Solenoid valve bracket	Buegel	Support
9	08812986	2	Rondella spaccata	Washer	Beilagscheibe	Rondelle
10	08603895	2	Vite es. M3x12 SS	Screw hex hd M3x12	Schraube	Vis
11	08603854	1	Tubo spiralato ø10 270 mm	Hose ø10 270 mm	Schlauch	Tuyau
12	909 5026 000	1	Tubo spiralato ø10 100 mm	Hose ø10 100 mm	Schlauch	Tuyau
13	909 5025 000	1	Tubo spiralato ø10 300 mm	Hose ø10 300 mm	Schlauch	Tuyau
14#	909 5151 000	1	Filtro acqua	Water filter	Wasser Filter	Filter eau
16	08603893	1	Kit rete filtro conguarniz.	Kit net filter with gasket	Zusatz Filter mit Dichtung	Kit filter avec joint
18a	08603865	1	Kit elettrovalv. senza rubinetto	Solenoid valve kit w/o valve	Zusatz Magnetventil ohne Hahn	Kit electrovanne sans robinet
18b#	909 5030 000	1	Kit elettrovalv. con rubinetto	Solenoid valve kit w. valve	Zusatz Magnetventil mit Hahn	Kit electrovanne avec robinet
19	08812097	2	Rondella piana inox	Washer flat SS	Beilagscheibe	Rondelle
20#	08603855	1	Tubo spiralato ø10 560 mm	Hose ø10 560 mm	Schlauch	Tuyau
21	909 5022 000	2	Portagomma	Rubber holder ø11	Gummihalter	Raccord
22	909 5023 000	1	Rubinetto	Valve	Hahn	Robinet
23#	145 8582 000	4	Fascetta	Clamp	Passring	Collier
24#	909 5787 000	1	Kit rubinetto con portagomma	Valve with rubber holder kit	Satz Hahn mit Gummihalter	Kit robinet avec raccord
25#	145 0524 000	2	Fascetta	Clamp	Passring	Collier
26#	145 0541 000	1	Fascetta	Clamp	Passring	Collier

(a) kit to be kept for scrubbers before serial number 032004955 (b) kit to be used for scrubbers after serial number 032004955

TSB IT 2003-007

08812943(4)2004-11



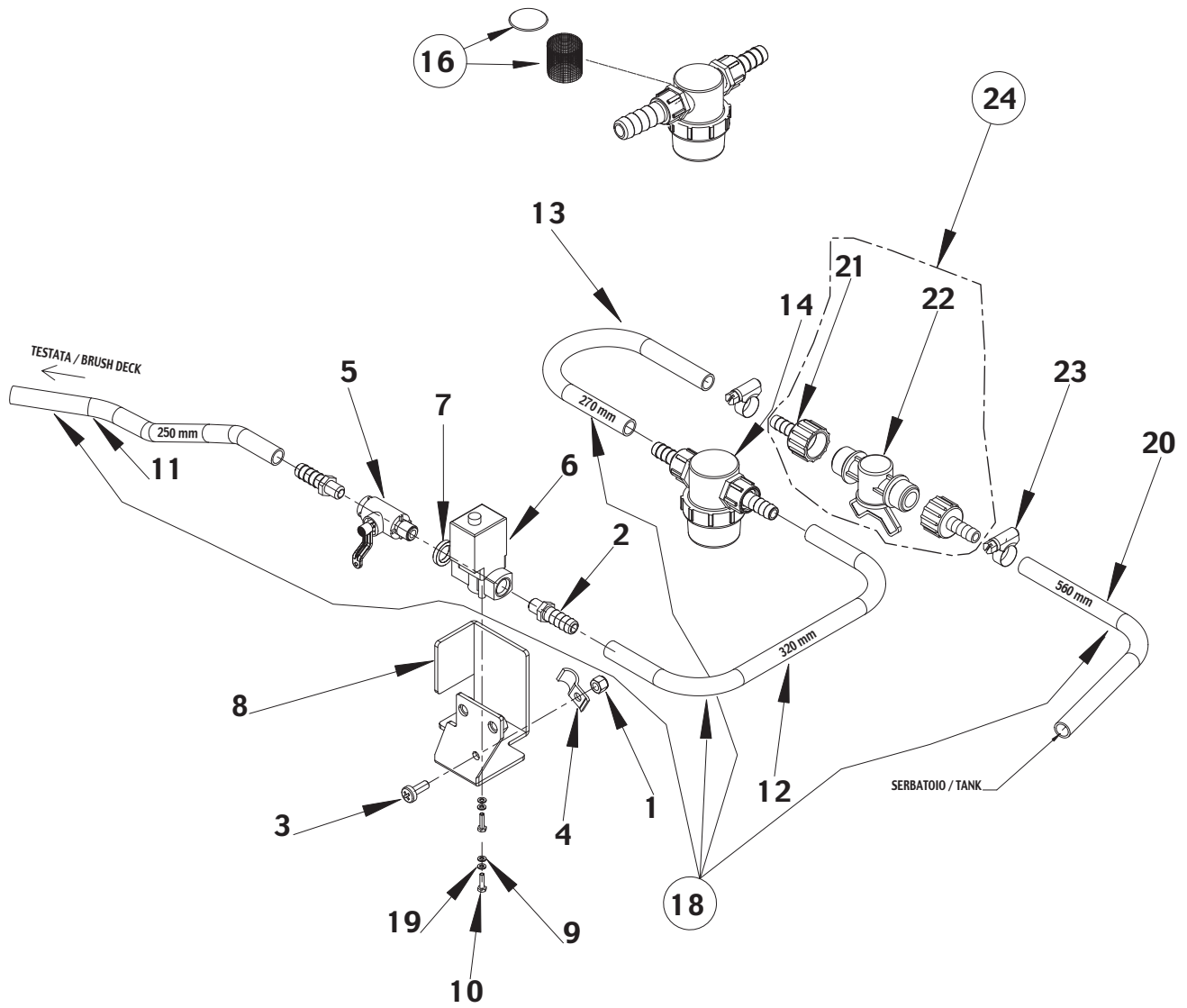
2004-11	GRUPPO ELETTROVALVOLA/ SOLUTION SYSTEM	BOOK E		
	BA 430S / 510S from serial number 044012196	E	2.9.1	19

Pos Item Bild Rép	Codice Ref. No. Art. Nr. Réf. No	Quantità Qty Menge Qté	Descrizione	Description	Beschreibung	Désignation
1#	08361400	1	Dado es. M6 autobloc.	Nut hex M6 selflock.	Mutter	Ecrou
2#	08601624	2	Portagomma 1/4	Rubber holder	Schlauch halter	Raccord
3#	145 9261 000	1	Vite M6x16	Screw m6x16	Schraube	Vis
4#	08812352	1	Cavalotto fermacavo	Clamp	Verbindungsbruecke	Etrier
5#	909 5627 000	1	Rubinetto1/4 con leva	Ball grip thread	Hahn	Robinet
6#	08812912	1	Elettrovalvola 24V	Solenoid valve 24V	Elektroventil	Electrovanne
7#	08812257	1	Dado	Nut	Mutter	Ecrou
8#	08812974	1	Staffa supporto elettrov.	Solenoid valve bracket	Buegel	Support
9#	08812986	2	Rondella spaccata	Washer	Beilagscheibe	Rondelle
10#	08603895	2	Vite es. M3x12 SS	Screw hex hd M3x12	Schraube	Vis
11#	08603854	1	Tubo spiralato ø10 270 mm	Hose ø10 270 mm	Schlauch	Tuyau
12#	909 5026 000	1	Tubo spiralato ø10 100 mm	Hose ø10 100 mm	Schlauch	Tuyau
13#	909 5025 000	1	Tubo spiralato ø10 300 mm	Hose ø10 300 mm	Schlauch	Tuyau
14#	909 5151 000	1	Filtro acqua	Water filter	Wasser Filter	Filter eau
16#	08603893	1	Kit rete filtro con guarniz.	Kit net filter with gasket	Zusatz Filter mit Dichtung	Kit filter avec joint
18a#	909 5030 000	1	Kit elettrovalv. con rubinetto	Solenoid valve kit w. valve	Zusatz Magnetventil mit Hahn	Kit electrovanne avec robinet
18b#	909 5655 000	1	Kit elettrovalv. con rubinetto	Solenoid valve kit w. valve	Zusatz Magnetventil mit Hahn	Kit electrovanne avec robinet
19#	08812097	2	Rondella piana inox	Washer flat SS	Beilagscheibe	Rondelle
20#	08603855	1	Tubo spiralato ø10 560 mm	Hose ø10 560 mm	Schlauch	Tuyau
21#	909 5022 000	2	Portagomma	Rubber holder ø11	Gummihalter	Raccord
22#	909 5023 000	1	Rubinetto	Valve	Hahn	Robinet
23#	145 8582 000	4	Fascetta	Clamp	Passring	Collier
24#	909 5787 000	1	Kit rubinetto con portagomma	Valve with rubber holder kit	Satz Hahn mit Gummihalter	Kit robinet avec raccord
25#	145 0524 000	2	Fascetta	Clamp	Passring	Collier
26#	145 0541 000	1	Fascetta	Clamp	Passring	Collier

- (a) kit to be kept for scrubbers after serial number 032004955 which replaces the previous code 08603865
- (b) kit with new Ball grip thread to be used from serial number 044012196

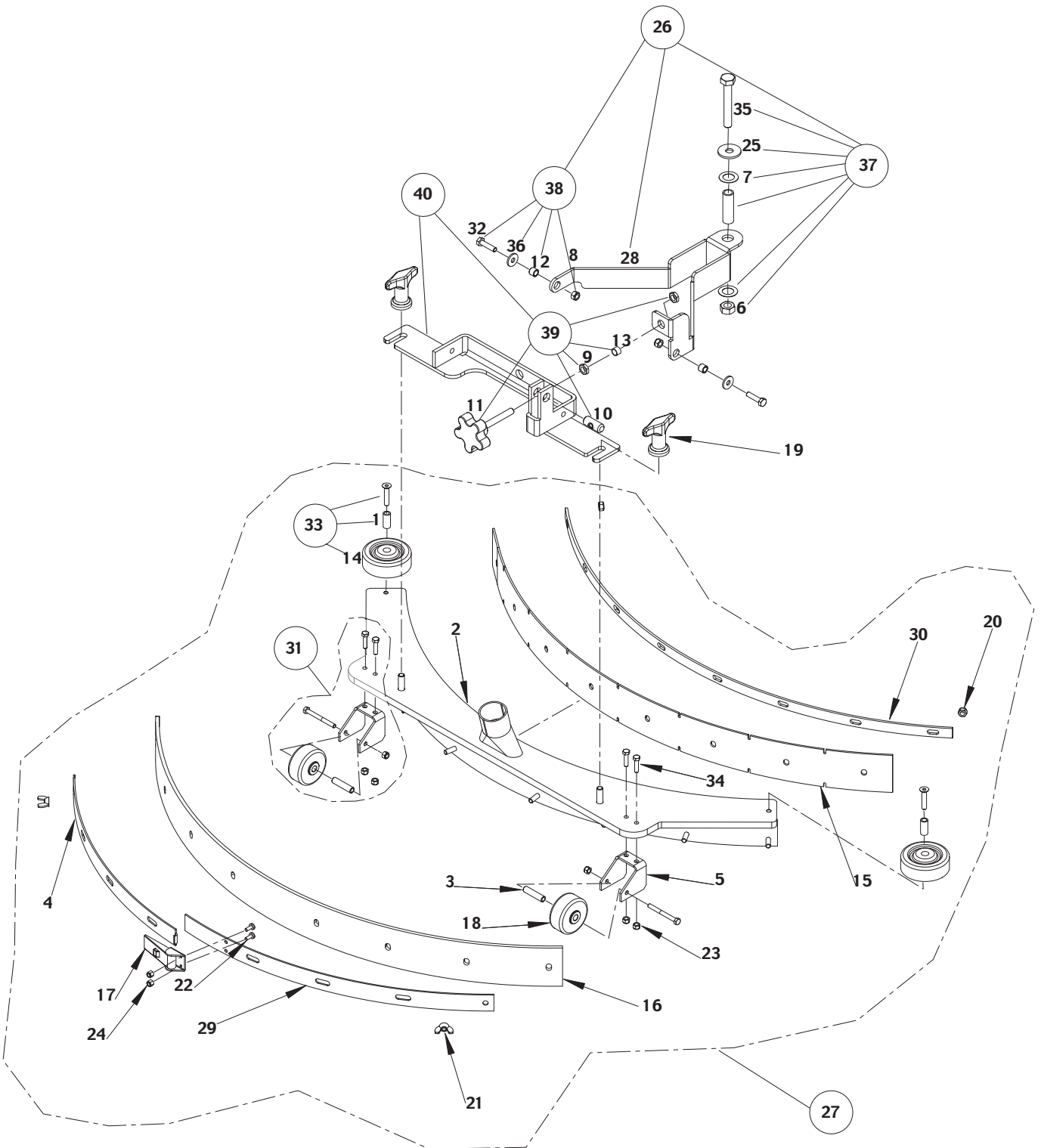
TSB IT 2004-019

08812943(4)2004-11



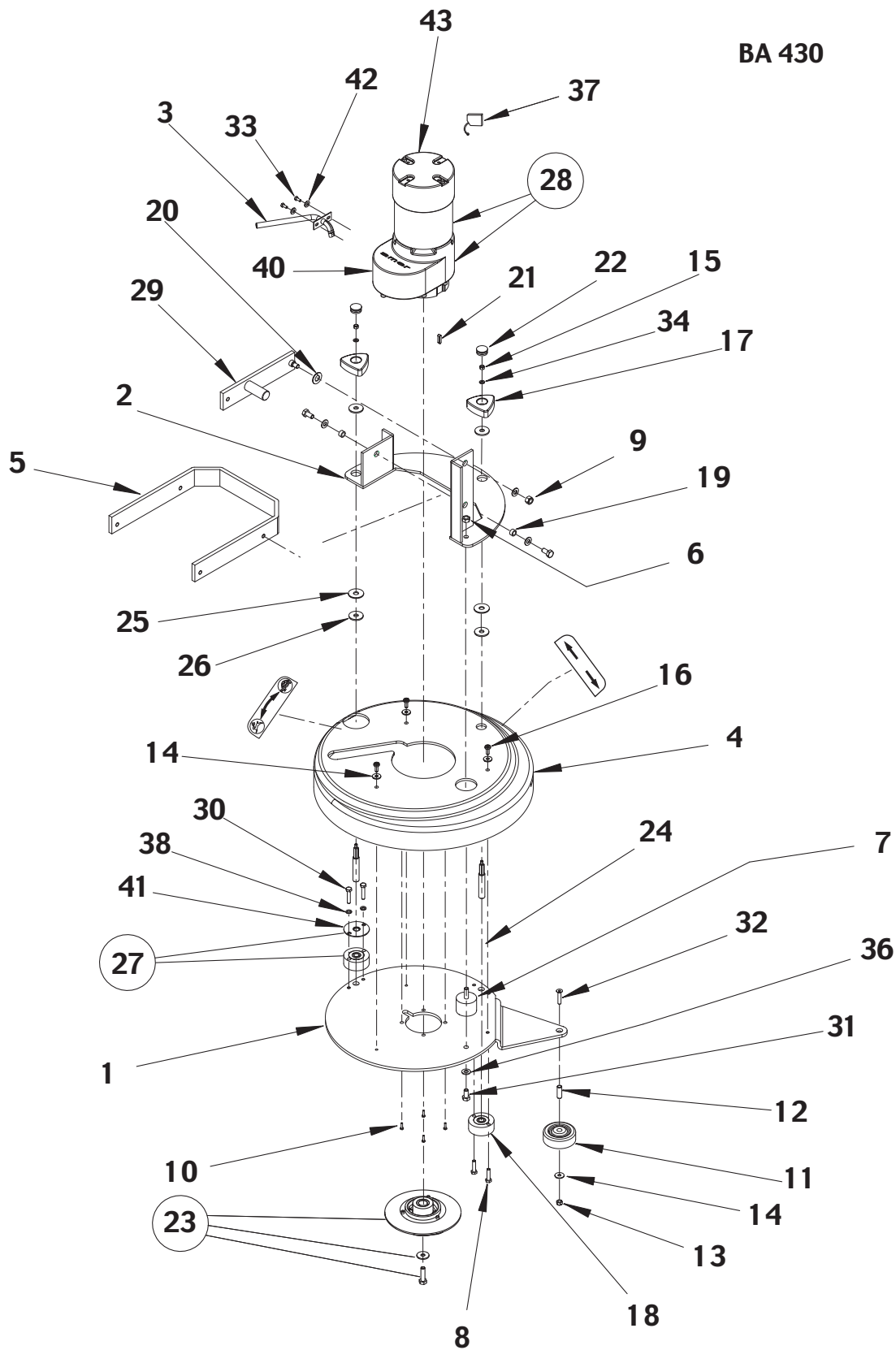
2004-11	GRUPPO ELETTROVALVOLA/ SOLUTION SYSTEM		BOOK E	
2003-08	BA 430S D / 510S D		E	2.9.1
				21

Pos Item Bild Rép	Codice Ref. No. Art. Nr. Réf. No	Quantità Qty Menge Qté	Descrizione	Description	Beschreibung	Désignation
1	08361400	1	Dado es. M6 autobloc.	Nut hex M6 selflock.	Mutter	Ecrou
2	08601624	2	Portagomma 1/4	Rubber holder	Schlauch halter	Raccord
3	145 9261 000	1	Vite M6x16	Screw m6x16	Schraube	Vis
4	08812352	1	Cavalotto fermacavo	Clamp	Verbindungsbruecke	Etrier
5#	909 5627 000	1	Rubinetto 1/4 con leva	Ball grip thread	Hahn	Robinet
6	08812912	1	Elettrovalvola 24V	Solenoid valve 24V	Elektroventil	Electrovanne
7	08812257	1	Dado	Nut	Mutter	Ecrou
8	08812974	1	Staffa supporto elettrov.	Solenoid valve bracket	Buegel	Support
9	08812986	2	Rondella spaccata	Washer	Beilagscheibe	Rondelle
10	08603895	2	Vite es. M3x12 SS	Screw hex hd M3x12	Schraube	Vis
11	xxx xxxx xxx	1	Tubo spiralato ø10 250 mm	Hose ø10 250 mm	Schlauch	Tuyau
12	xxx xxxx xxx	1	Tubo spiralato ø10 320 mm	Hose ø10 320 mm	Schlauch	Tuyau
13	08603854	1	Tubo spiralato ø10 270 mm	Hose ø10 270 mm	Schlauch	Tuyau
14#	909 5151 000	1	Filtro acqua	Water filter	Wasser Filter	Filter eau
16	08603893	1	Kit rete filtro conguarniz.	Kit net filter w/gasket	Zusatz Filter mit Dichtung	Kit filter avec joint
18	909 5158 000	1	Kit tubi elettrovalvola	Pipes solenoidv. kit	Zusatz Schlauche Magnet.	Kit tuyau electrovanne
19	08812097	2	Rondella piana inox	Washer flat SS	Beilagscheibe	Rondelle
20#	08603855	1	Tubo spiralato ø10 560mm	Hose 560 mm lengh	Schlauch	Tuyau
21	909 5022 000	2	Portagomma	Rubber holder ø11	Gummihalter	Raccord
22	909 5023 000	1	Rubinetto	Valve	Hahn	Robinet
23	145 8582 000	2	Fascetta	Clamp	Passring	Collier
24#	909 5787 000	1	Kit rubinetto	Valve kit	Satz hahn	Kit robinet



2004-11	GRUPPO TERGITORE/ SQUEEGEE ASSEMBLY		BOOK E		
2003-08	BA 430S / 510S - BA 430S D/ BA 510S D		E	2.9.1	23

Pos Item Bild Rép	Codice Ref. No. Art. Nr. Réf. No	Quantità Qty Menge Qté	Descrizione	Description	Beschreibung	Désignation
1	08812937	2	Distanziale	Spacer	Abstandstueck	Entretoise
2	08603676	1	Corpo tergitore	Squeegee complete	Saugduese kpl.	Embouchure complete
3	08812948	2	Distanziale	Spacer	Abstandstueck	Entretoise
4	08603670	1	Bandella	Rear strap for latch	Metalleiste	Longeron
5	08603666	2	Supporto ruota terg.	Support squeegee wheel	Saugradhalter	Support roue d'embouchure
6	145 4518 000	1	Dado e. autobl. M10	Nut	Mutter	Ecrou
7	08238300	2	Rondella piana	Washer flat	Beilagscheibe	Rondelle
8	08361400	2	Dado	Nut	Mutter	Ecrou
9	08600317	2	Dado	Nut	Mutter	Ecrou
10	08601509	1	Perno supporto terg.	Pin	Stift	Axe
11	08601574	1	Volantino	Knob	Handrad	Molette
12	08601854	2	Distanziale	Spacer	Abstandstueck	Entretoise
13	08602422	1	Distanziale	Spacer	Abstandstueck	Entretoise
14	08602460	2	Ruota paracolpi	Bumper roller	Abweisrolle	Deflecteur
15	08602463	1	Gomma tergitore ant.	Squeegee blade front	Sauglippe vorn	Embouchure
16	08602468	1	Gomma tergitore post.	Squeegee blade rear	Sauglippe hinten	Embouchure
17	08603664	1	Gancio per tergitore	Latch for squeegee	Verriegelung	Verrouillage
18	08603665	2	Ruota in gomma	Rubber wheel	Rad	Roue
19	08603675	2	Volantino	Thumb nut	Handrad	Molette
20	08603682	8	Dado	Nut	Mutter	Ecrou
21	145 0461 000	2	Dado ad alette	Wing nut	Fluegelmutter	Ecrou papillon
22	08603684	2	Vite	Screw	Schraube	Vis
23	08603688	6	Dado	Nut	Mutter	Ecrou
24	08603685	2	Dado	Nut	Mutter	Ecrou
25	08604251	1	Rondella	Washer	Beilagscheibe	Rondelle
26	08603877	1	Kit staffa sup. tergitore	Kit squeegee sup. bracket	Duesentraeger Satz	Kit support d'embouchure
27	08603878	1	Kit tergitore completo	Kit squeegee complete	Saugduesen kpl Satz	Kit embouchure complete
27*#	909 5628 000	1	Kit tergitore cpl inox	Kit squeegee complete SS	Saugduesen kpl Satz	Kit embouchure complete
28	08812935	1	Staffa	Bracket	Buegel	Support
29	08603669	1	Bandella	Rear strap for hook	Metalleiste	Longeron
30	08603672	1	Bandella	Blade fixer latch	Metalleiste	Longeron
31	08603879	1	Kit ruota tergitore	Kit squeegee wheel	Zusatz Saugduesenrad	Kit roue
32	08232600	2	Vite	Screw	Schraube	Vis
33	08603880	1	Kit ruota paracolpi	Kit squ.bumper roller	Zusatz Abweisrolle	kit deflecteur
34	08603687	4	Vite	Screw	Schraube	Vis
35#	146 2163 000	1	Vite M10x70	Screw	Schraube	Vis
36	08228600	2	Rondella piana	Washer flat	Beilagscheibe	Rondelle
37	08812516	1	Kit fissaggio	Fixture kit	Zusatz Befestigung	Kit support
38	08812521	1	Kit fissaggio tergitore	Fixt.nozzle holder left/right kit	Zusatz Befestigung rech/link	Kit support droite/gauche
39	08812518	1	Kit viti di regolazione	Adjustment screw kit	Verstellschrauben Satz	Kit vis d'ajustage
40	08603876	1	Kit supporto tergitore	Kit squeegee holder	Duesentraeger Satz	Kit support d'embouchure
0	08603923	1	Kit ruota paracolpi	Bumper roller opt.kit	Zusatzabweisrolle	Kit deflecteur



BA 430

2004-11	GRUPPO SPAZZOLA/ BRUSH SYSTEM		BOOK E	
2003-08	BA 430S - BA 430S D / BA 430S DJ		E	2.9.1
				25

Pos Item Bild Rép	Codice Ref. No. Art. Nr. Réf. No	Quantità Qty Menge Qté	Descrizione	Description	Beschreibung	Désignation
1	08812889	1	Piastra porta spazzola	Plate, brush holder	Platte Buerstenhalter	Plaque de support
2	08812892	1	Piastra supp. spazz.	Plate	Platte	Plaque
3	08812921	1	Tubo in rame	Tube	Schlauch	Tuyau
4	08812922	1	Protezione spazzola	Brush cover	Buerstendeckel	Protection brosse
5	08812924	1	Telaio sollevamento spaz.	Frame brush lifting	Chassis	Chassis
5#	909 5266 000	1	Tel. soll. J. senza testata spazz.	Frame brush lift. J. w/o deck	Chassis J.	Chassis J.
6	08084900	1	Dado e. M8	Nut hex M8	Mutter	Ecrou
7	08219000	1	Antivibrante cilindrico M8	Vibration damping M8	Schwingungsdaempfer	Tampon
8	08232600	2	Vite TE M6x25	Screw hex hd M6x25	Schraube	Vis
9	08299800	1	Dado e. basso autob. M8	Nut selflocking M8	Mutter	Ecrou
10	145 9959 000	4	Vite TE M6x16	Screw hex hd M6x16	Schraube	Vis
11	08602460	1	Ruota paracolpi	Bumper roller	Abweisrolle	Deflecteur
12#	909 5710 000	1	Distanziale	Bushing	Abstandstueck	Entretoise
13	08361400	1	Dado e. basso autobl. M6	Nut hex selflocking M6	Mutter	Ecrou
14#	08228600	4	Rondella piana 6x18	Washer flat 6x18	Beilagscheibe	Rondelle
15	145 9287 000	2	Dado e. autobloc. M5	Nut hex selflocking M5	Mutter	Ecrou
16	08812095	3	Vite TCTC 6x16	Screw 6x16	Schraube	Vis
17	08812203	2	Volantino piastra spaz.	Knob for brush plate	Fluegelmutter	Poignee
18#	08812213	2	Distanziale piastra spaz.	Buffer for brush plate	Lasche	Plaque
19	08812325	2	Distanziale	Bushing	Abstandstueck	Entretoise
20	08812361	1	Rondella	Washer	Beilagscheibe	Rondelle
21	145 9774 000	1	Chiavetta	Key	Passfeder	Goupille
22	08812426	2	Tappo per volantino	Cap for knob	Verschlußtopfen	Boulon
23	08812589	1	Kit supporto poligonale	Polygonal holder kit	Polygonaufnahme	Support polygonal
24	08812706	2	Perno fissaggio piastra sp.	Dowel broom plate fixing	Stift	Axe
25	08812718	2	Rondella in gomma	Washer rubber	Beilagscheibe	Rondelle
26	08812719	4	Rondella piana 7x18	Washer flat 7x18	Beilagscheibe	Rondelle
27	08812780	1	Kit fissaggio piastra spaz.	Brush plate fixing kit	Zusatz Buerste fix.Lasche	Kit de fix plaque de brosse
28a#	909 5507 000	1	Motoriduttore 520W 24V	Reduction gearmotor	Verminderungsgetriebe	Motoreducteur
29	08812929	1	Leva sollevamento spazz.	Brush lifting lever	Hebel Buersteaufhebung	Levier
30	08812885	2	Vite TE M6x30	Screw hex hd M6x30	Schraube	Vis
31	08274300	3	Vite TE M8x16	Screw hex hd M8x16	Schraube	Vis
32	145 5877 000	1	Vite TSPEI M6x40	Screw M6x40	Schraube	Vis
33	146 0632 000	2	Vite TE M4x8	Screw hex hd M4x8	Schraube	Vis
34	08040400	2	Rondella piana 5x10	Washer flat 5x10	Beilagscheibe	Rondelle
36	08085700	3	Rondella piana 8x17	Washer flat 8x17	Beilagscheibe	Rondelle
37b#	08603850	1	Kit carboncini	Carbon brushset	Kohlenbuerstesatz	Charbonset
37c#	08603949	1	Kit carboncini	Carbon brushset	Kohlenbuerstesatz	Charbonset
38	145 9228 000	2	Rondella e. spaccata	Washer hex.	Beilagscheibe	Rondelle
40	08603849	1	Riduttore	Reduction gear	Verminderungs getriebe	Reducteur
41#	08812779	1	Piastrina	Plate	Platte	Plaque
42#	145 9237 000	2	Rondella 4x12	Washer 4x12	Beilagscheibe	Rondelle
43a#	909 5508 000	1	Motore elettrico	Electric motor	Elektrische motor	Moteur électrique

- **28a TSB IT 2004-005** reduction gear motor 08812919, starting from serial number 040300059, has been replaced from reduction gear motor 909 5365 000

TSB IT 2004-020 reduction gear motor 909 5365 000, starting from serial number 043610441, has been replaced from reduction gear motor 909 5507 000

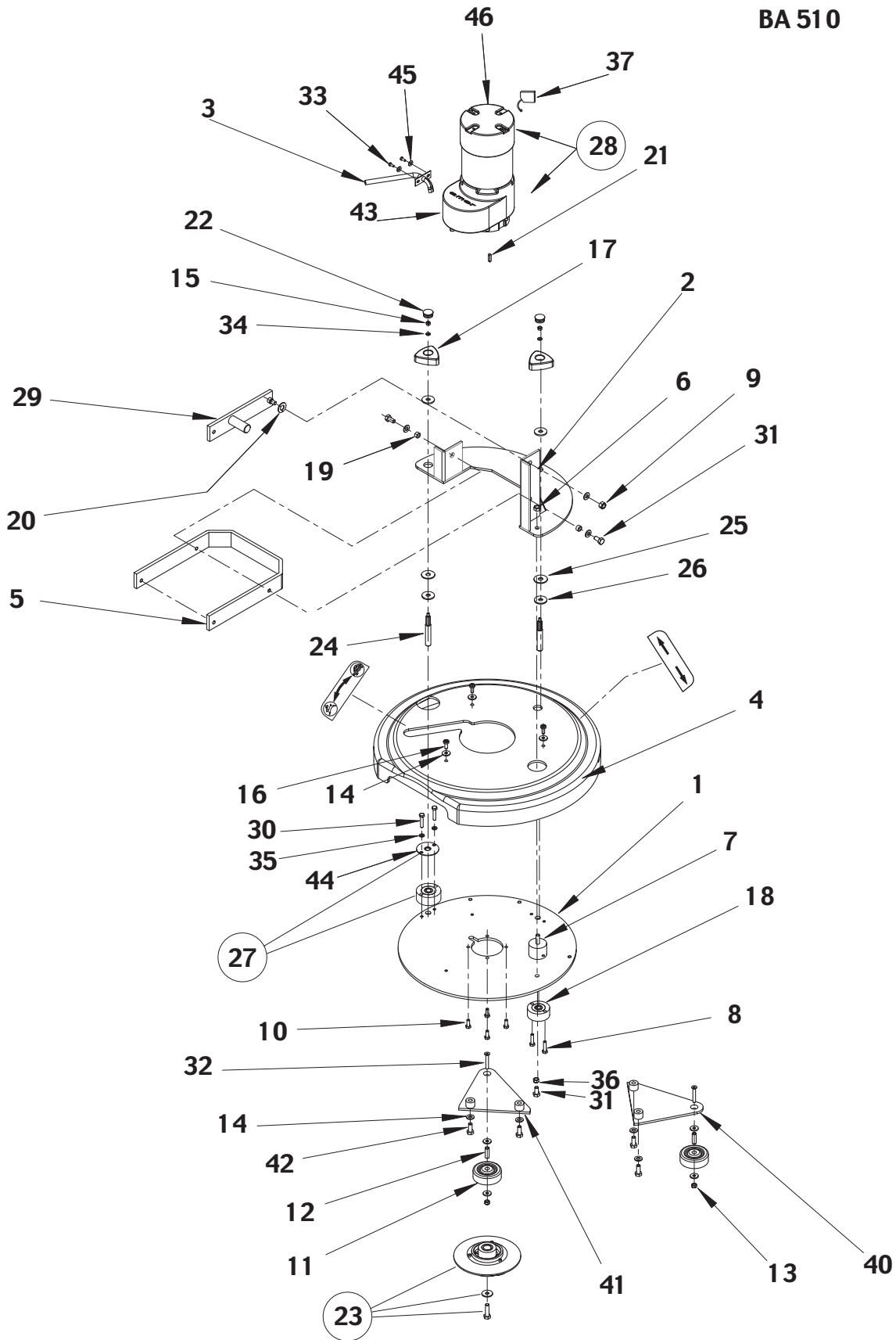
- **43a TSB IT 2004-005** electric motor 08603848, starting from serial number 040300059, has been replaced from 909 5438 000

TSB IT 2004-020; electric motor 909 5438 000, starting from serial number 043610441, has been replaced from 909 5508 000

- **(b)** Carbon brush set valid for old electric motor 08603848

- **(c)** Carbon brush set valid for both electric motors 909 5438 000 and 909 5508 000

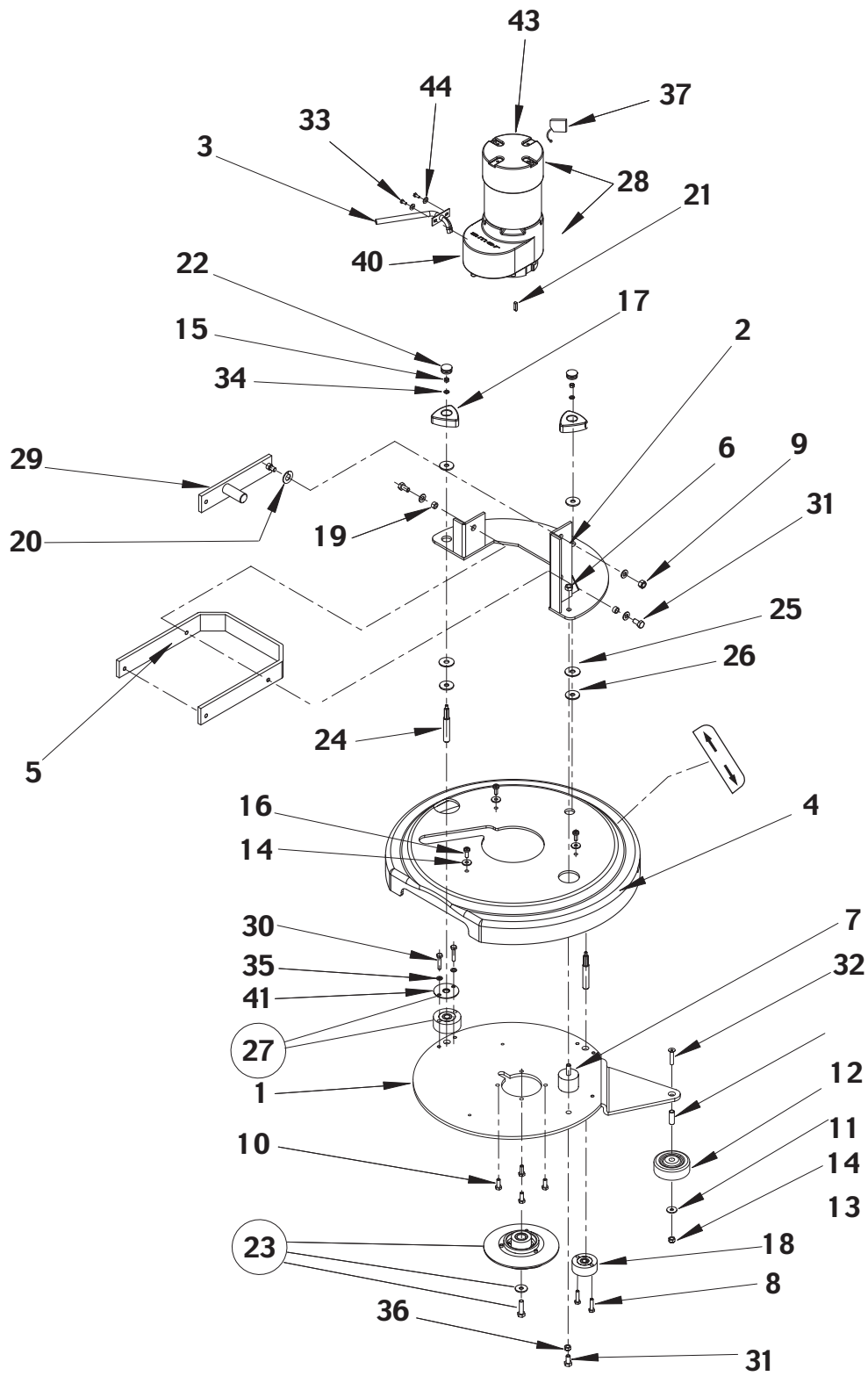
BA 510



2004-11	GRUPPO SPAZZOLA/ BRUSH SYSTEM		BOOK E		
2003-08	BA 510S before serial no. 034611495		E	2.9.1	27

Pos Item Bild Rép	Codice Ref. No. Art. Nr. Réf. No	Quantità Qty Menge Qté	Descrizione	Description	Beschreibung	Désignation
1	08812981	1	Piastra porta spazzola	Plate brush holder	Platte Buerstenhalter	Plaque de support
2	08812980	1	Piastra supporto spazzola	Plate	Platte	Plaque
3	08812921	1	Tubo in rame	Hose copper	Schlauch	Tuyau
4	08812979	1	Protezione spazzola	Brush cover 510	Buerstendeckel	Protection brosse
5	08812924	1	Telaio sollevamento spaz.	Frame	Chassis	Chassis
6	08084900	1	Dado e. basso M8	Nut hex M8	Mutter	Ecrou
7	08219000	1	Antivibrante cilindrico M8	Vibration damping M8	Schwingungsdaempfer	Tampon
8	08232600	2	Vite TE M6x25	Screw hex hd M6x25	Schraube	Vis
9	08299800	1	Dado e. basso autobl. M8	Nut hex selflocking M8	Mutter	Ecrou
10	145 9959 000	4	Vite TE M6x16 inox	Screw hex hd M6x16 SS	Schraube	Vis
11	08602460	2	Ruota paracolpi	Bumper roller	Abweisrolle	Deflecteur
12#	909 5710 000	2	Distanziale	Bushing	Abstandstueck	Entretoise
13	08361400	2	Dado e. basso autobl.M6	Nut hex selflocking M6	Mutter	Ecrou
14#	08228600	5	Rondella piana 8x17 inox	Washer flat 8x17 SS	Beilagscheibe	Rondelle
15	145 9287 000	2	Dado e. basso autobl.M5	Nut hex selflocking M5	Mutter	Ecrou
16	08812095	3	Vite TCTC M6x16	Screw M6x16	Schraube	Vis
17	08812203	2	Volantino piastra spazz.	Knob	Fluegelmutter	Poignee
18	08812213	1	Supporto antivibrante	Buffer	Lasche	Plaquette
19	08812325	2	Distanziale	Bushing	Abstandstueck	Entretoise
20	08812361	1	Rondella	Washer	Beilagscheibe	Rondelle
21	145 9774 000	1	Chiavetta	Key	Passfeder	Goupille
22	08812426	2	Tappo per ruota paracolpi	Cap for knob	Verschlusstopfen	Boulon
23	08812589	1	Kit supporto poligonale	Polygonal holder kit	Polygonaufnahme	Support polygonal
24	08812706	2	Perno fissaggio piastra	Dowel brush plate fixing	Stift	Axe
25	08812718	2	Rondella piana in gomma	Washer rubber	Beilagscheibe	Rondelle
26	08812719	4	Rondella piana	Washer flat	Beilagscheibe	Rondelle
27	08812780	1	Kit fissaggio piastra spazz.	Brush plate fixing kit	Zusatz Buerste fix.Lasche	Kit de fix plaque de brosse
28a#	909 5507 000	1	Motoriduttore 520W 24V	Reduction gear	Verminderungsgetriebe	Motoreducteur
29	08812929	1	Leva sollevamento spaz.	Lever brush lifting	Hebel Buersteaufhebung	Levier
30	08812885	2	Vite TE M6x30	Screw hex hd M6x30	Schraube	Vis
31	08274300	3	Vite TE M8x16	Screw hex hd M8x16	Schraube	Vis
32	145 5877 000	2	Vite TSPEI M6x40	Screw	Schraube	Vis
33	146 0632 000	2	Vite TE M4x8	Screw hex hd M4x8	Schraube	Vis
34	08040400	2	Rondella piana 5x10	Washer flat 5x10	Beilagscheibe	Rondelle
35#	145 9228 000	2	Rondella piana 6x12,5	Washer flat 6x12,5	Beilagscheibe	Rondelle
36	08085700	6	Rondella piana 8x17	Washer flat 8x17	Beilagscheibe	Rondelle
37#	08603949	1	Kit carboncini	Carbon brush set	Kohlenbuerstesatz	Charbonset
40	08812982	1	Supporto ruota dx antiurto	Bumper roll. support right	Halter rechts	Support droite
41	08812983	1	Supporto ruota sx antiurto	Bumper roll. support left	Halter links	Support gauche
42	145 0478 000	4	Vite TE M8x25 inox	Screw hex hd M8x25 SS	Schraube	Vis
43	08604849	1	Riduttore	Reduction gear	Verminderungsgetriebe	Reducteur
44#	08812779	1	Piastrina	Plate	Platte	Plaque
45#	145 9237 000	2	Rondella	Washer	Beilagscheibe	Rondelle
46a#	909 5508 000	1	Motore elettrico	Electric motor	Elektrische motor	Moteur electrique

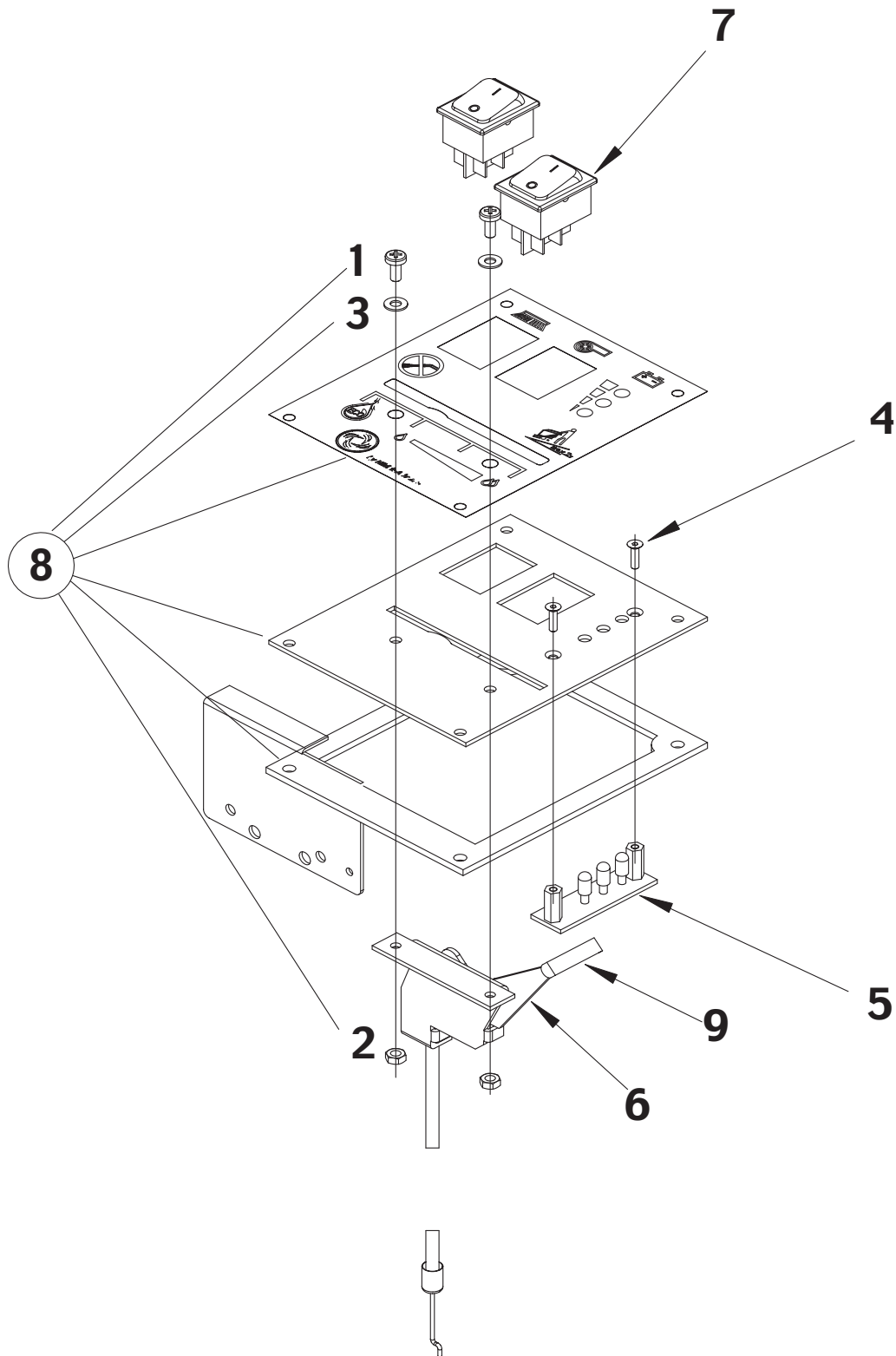
- (a) TSB IT 2004-003 Reduction gear motor 08812919 has been replaced from 909 5507 000; old electric motor 08603848 has been replaced from 909 5508 000



2004-11	GRUPPO SPAZ. DECENTRATA/ OFF-SET BRUSH SYSTEM	BOOK E		
2003-08	BA 510S from serial no. 034611495 / BA 510S D	E	2.9.1	29

Pos Item Bild Rép	Codice Ref. No. Art. Nr. Réf. No	Quantità Qty Menge Qté	Descrizione	Description	Beschreibung	Désignation
1	909 5135 000	1	Piastra porta spazzola	Plate brush holder	Platte Buerstenhalter	Plaque de support
2	909 5136 000	1	Piastra supporto spazzola	Plate	Platte	Plaque
3	08812921	1	Tube in rame	Hose copper	Schlauch	Tuyau
4d#	909 5460 000	1	Protezione spazzola	Brush cover 510	Buerstendeckel	Protection brosse
5	08812924	1	Telaio sollevamento spaz.	Frame	Chassis	Chassis
6	08084900	1	Dado e. basso M8	Nut hex M8	Mutter	Ecrou
7	08219000	1	Antivibrante cilindrico M8	Vibration damping M8	Schwingungsdaempfer	Tampon
8	08232600	2	Vite TE M6x25	Screw hex hd M6x25	Schraube	Vis
9	08299800	1	Dado e. basso autobl. M8	Nut hex selflocking M8	Mutter	Ecrou
10	145 9959 000	4	Vite TE M6x16 inox	Screw hex hd M6x16 SS	Schraube	Vis
11	08602460	1	Ruota paracolpi	Bumper roller	Abweisrolle	Deflecteur
12	909 5710 000	1	Distanziale	Bushing	Abstandstueck	Entretoise
13	08361400	1	Dado e. basso autobl.M6	Nut hex selflocking M6	Mutter	Ecrou
14#	08228600	4	Rondella piana 6x18	Washer flat 6x18	Beilagscheibe	Rondelle
15	145 9287 000	2	Dado e. basso autobl.M5	Nut hex selflocking M5	Mutter	Ecrou
16	08812095	3	Vite TCTC M6x16	Screw M6x16	Schraube	Vis
17	08812203	2	Volantino piastra spazz.	Knob	Fluegelmutter	Poignee
18#	08812213	2	Distanziale per piastra sp.	Bushing	Abstandstueck	Entretoise
19	08812325	2	Distanziale	Bushing	Abstandstueck	Entretoise
20	08812361	2	Rondella	Washer	Beilagscheibe	Rondelle
21	145 9774 000	1	Chiavetta	Key	Passfeder	Goupille
22	08812426	2	Tappo per volantino	Cap for knob	Verschlußtopfen	Boulon
23	08812589	1	Kit supporto poligonale	Polygonal holder kit	Polygonaufnahme	Support polygonal
24	08812706	2	Perno fissaggio piastra	Dowel brush plate fixing	Stift	Axe
25	08812718	2	Rondella piana in gomma	Washer rubber	Beilagscheibe	Rondelle
26	08812719	4	Rondella piana	Washer flat	Beilagscheibe	Rondelle
27	08812780	1	Kit fissaggio piastra spazz.	Brush plate fixing kit	Zusatz Buerste fix.Lasche	Kit de fix plaque de brosse
28a#	08812919	1	Motoriduttore 650W 24V	Reduction gear	Verminderungsgetriebe	Motoreducteur
29	08812929	1	Leva sollevamento spaz.	Lever brush lifting	Hebel Buersteaufhebung	Levier
30	08812885	2	Vite TE M6x30	Screw hex hd M6x30	Schraube	Vis
31	08274300	3	Vite TE M8x16	Screw hex hd M8x16	Schraube	Vis
32	145 5877 000	1	Vite TSPEI M6x40	Screw	Schraube	Vis
33	146 0632 000	2	Vite TE M4x8	Screw hex hd M4x8	Schraube	Vis
34	08040400	2	Rondella piana 5x10	Washer flat 5x10	Beilagscheibe	Rondelle
35#	145 9228 000	2	Rondella piana 6x12,5	Washer flat 6x12,5	Beilagscheibe	Rondelle
36#	08085700	3	Rondella piana 8x17	Washer flat 8x17	Beilagscheibe	Rondelle
37b#	08603850	1	Kit carboncini	Carbon brush set	Kohlenbuerstesatz	Charbonset
37c#	08603949	1	Kit carboncini	Carbon brush set	Kohlenbuerstesatz	Charbonset
40#	08603849	1	Riduttore	Reduction gear	Verminderungsgetriebe	Reducteur
41#	08812779	1	Piastrina	Plate	Platte	Plaque
43a#	909 5508 000	1	Motore elettrico	Electric motor	Elektrische motor	Moteur electrique
44#	145 9237 000	2	Rondella	Washer	Beilagscheibe	Rondelle

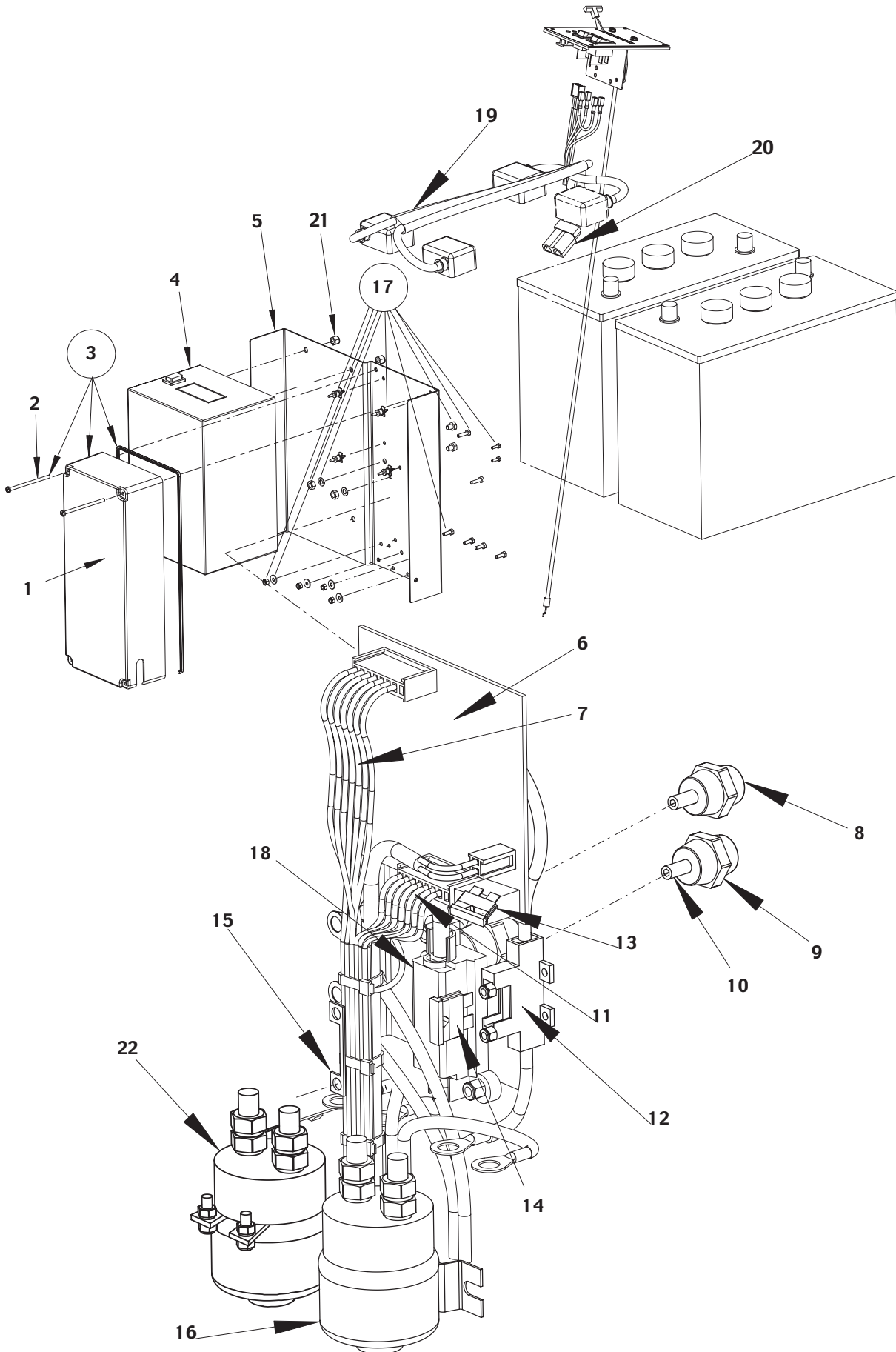
- **28a TSB IT 2004-05** reduction gear motor 08812919, starting from 040300059, has been replaced from reduction gear motor 909 5365 000
TSB IT 2004-020 reduction gear motor 909 5365 000, starting from 043610441, has been replaced from reduction gear motor 909 5507 000
- **43a TSB IT 2004-05** electric motor 08603848, starting from 040300059, has been replaced from electric motor 909 5438 000
TSB IT 2004-020 electric motor 909 5438 000, starting from 043610441, has been replaced from electric motor 909 5508 000
- **(b)** Carbon brush set valid for old electric motor 08603848
- **(c)** Carbon brush set valid for both electric motors 909 5438 000 and 909 5508 000
- **(d) TSB IT 2004-021** brush cover 909 5460 000 replaces ,from serial number 042306843, the previous brush cover 909 5134 000.
Both parts are completely interchangeable, but their splash guard kits: 909 5176 000 is valid only before serial number 042306843;
909 5531 000 is valid after serial number 042306843 (ODM 1683) -



2004-11	PANNELLO DI CONTROLLO/ CONTROL PANEL SYSTEM	BOOK E		
2003-08	BA 430S / 510S - BA 430S D/ BA 510S D - J	E	2.9.1	31

Pos Item Bild Rép	Codice Ref. No. Art. Nr. Réf. No	Quantità Qty Menge Qté	Descrizione	Description	Beschreibung	Désignation
1	08604077	2	Vite TCTC M4x10	Screw M4x10	Schraube	Vis
2	08053500	2	Dado es. M4	Nut hex M4	Mutter	Ecrou
3	08200800	2	Rondella piana	Washer flat	Beilagscheibe	Rondelle
4#	909 5284 000	2	Vite TSPEI M3x6	Screw M3x6	Schraube	Vis
5	08812909	1	Scheda led	Electronic card	Electronische Karte	Carte
6	08812938	1	Leva regolazione elet.	Lever	Hebel	Levier
7#	08812562	1	Kit interruttore completo	Kit switch complete	Zusatz Schalter kpl	Kit interrupteur
7b#	909 5667 000	1	Interruttore completo	Switch complete	Schalter kpl	Interrupteur complet
8c#	08603866	1	Kit plancia con serigrafia	Kit control panel w/decal	Zusatz Schallplatte m / Folie	Kit tableau avec serigraphie
8d#	909 5689 000	1	Kit plancia con serigrafia	Kit control panel w/decal	Zusatz Schallplatte m / Folie	Kit tableau avec serigraphie
9	08603790	1	Maniglia per leva	Handle	Handgriff	Poignee

- (b) replaces the old one completely interchangeable
- (c) Before serial number 044012196
- (d) After serial number 044012196 - **TSB IT 2004-019**



2004-11	SISTEMA ELETTRICO/ WIRING SYSTEM		BOOK E		
2003-08	BA 430S / 510S - J		E	2.9.1	33

Pos Item Bild Rép	Codice Ref. No. Art. Nr. Réf. No	Quantità Qty Menge Qté	Descrizione	Description	Beschreibung	Désignation
1	08812284	1	Coperchio scheda elett.	Cover	Deckel	Couvercle
2	08812444	2	Vite TCTC M4x70	Screw	Schraube	Vis
3	08812625	1	Kit copertura con viti	Kit card covering w/screw	Satz el. Karte Abdeckung	Kit couvercle carte el.
4	08812821	1	Carica batteria 24V 220V	Battery charger 24V 220V	Batterieladegeraete	Chargeur de batterie
4#	08603971	1	Carica batteria 24V 100V	Battery charger 24V 100V	Batterieladegeraete	Chargeur de batterie
5	08812890	1	Supporto scheda elett.	Support	Halter	Support
6	909 5098 000	1	Scheda elettronica	Electronic card	Elekt. Karte	Carte electronique
7	08812908	1	Cablaggio macchina	Machine harness	Machine Kabelverbindung	Cablage machine
8	146 0708 000	1	Isolatore bianco M6	Insulator	Isolator	Isolateur
9	146 0566 000	1	Isolatore rosso M6	Insulator	Isolator	Isolateur
10	146 0759 000	2	Grano	Dowel	Stift	Goupille
11	08812911	1	Cablaggio scheda elett.	Electronic card harness	Elekt.Karte Kabelverbindung	Cablage carte elect.
12	146 0660 000	1	Porta fusibile	Fuse holder	Sicherungshalter	Support
13	145 9852 000	1	Fusibile 5A lamellare	Fuse 5A	Sicherung	Fusible
14	145 0227 000	1	Fusibile 40A lamellare	Fuse 40A	Sicherung	Fusible
15#	145 9854 000	1	Fusibile 50A a nastro	Fuse 50A	Sicherung	Fusible
16	145 0300 000	1	Teleruttore	Electromagnetic switch	Elektromag.Schalter	Telerupteur
17	08603867	1	Kit fissaggio scheda elet.	Kit electr.card fixing	Zusatz elekt.Karte fixierung	Kit fixage carte elect.
18	145 8046 000	1	Porta fusibile	Fuse holder	Sicherungshalter	Support
19	08603889	1	Cablaggio batteria	Battery harness	Batterie Kabelverbindung	Cablage batterie
20	145 6062 000	1	Connettore rosso	Connector	Stecker	Prise
21	145 9132 000	4	Dado autobloccante M6	Nut selflocking M6	Mutter	Ecrou
22	08603934	1	Teleruttore	Electromagnetic switch	Elektromag.Schalter	Telerupteur

**Ricambi per caricabatteria
Pos. 4 08812821**

**Spare parts for battery
charger Item 4 08812821**

**Ersatzteile fuer Batterielad.
Bild 4 08812821**

**Pieces de tachees pour
chargeur Rép. 4 08812821**

0	909 5731 000	1	Portafusibile	Fuse holder	Sicherungshalter	Support
0	909 5730 000	1	Fusibile 8A vetro	Fuse 8A	Sicherung	Fusible
0	909 5732 000	1	Fusibile 15A	Fuse 15A	Sicherung	Fusible
0	146 0794 000	1	Fusibile 1,6A vetro	Fuse 1.6A	Sicherung	Fusible
0	909 5733 000	1	Ventola di raffreddamento	Cooler fan	Kuehlungventil	Ventilateur
0	909 5735 000	1	Trasformatore 230V 24V	Transformer	Transformator	Transformateur
0	909 5736 000	1	Scheda display	Display card	Karte	Carte
0	909 5737 000	1	Scheda potenza	Power card	Karte	Carte
0	909 5739 000	1	Cavo di rete	Cable net	Kabel	Carte
0	146 0801 000	1	Interruttore wet/gel	Switch wet/gel	Schalter	Interrupteur

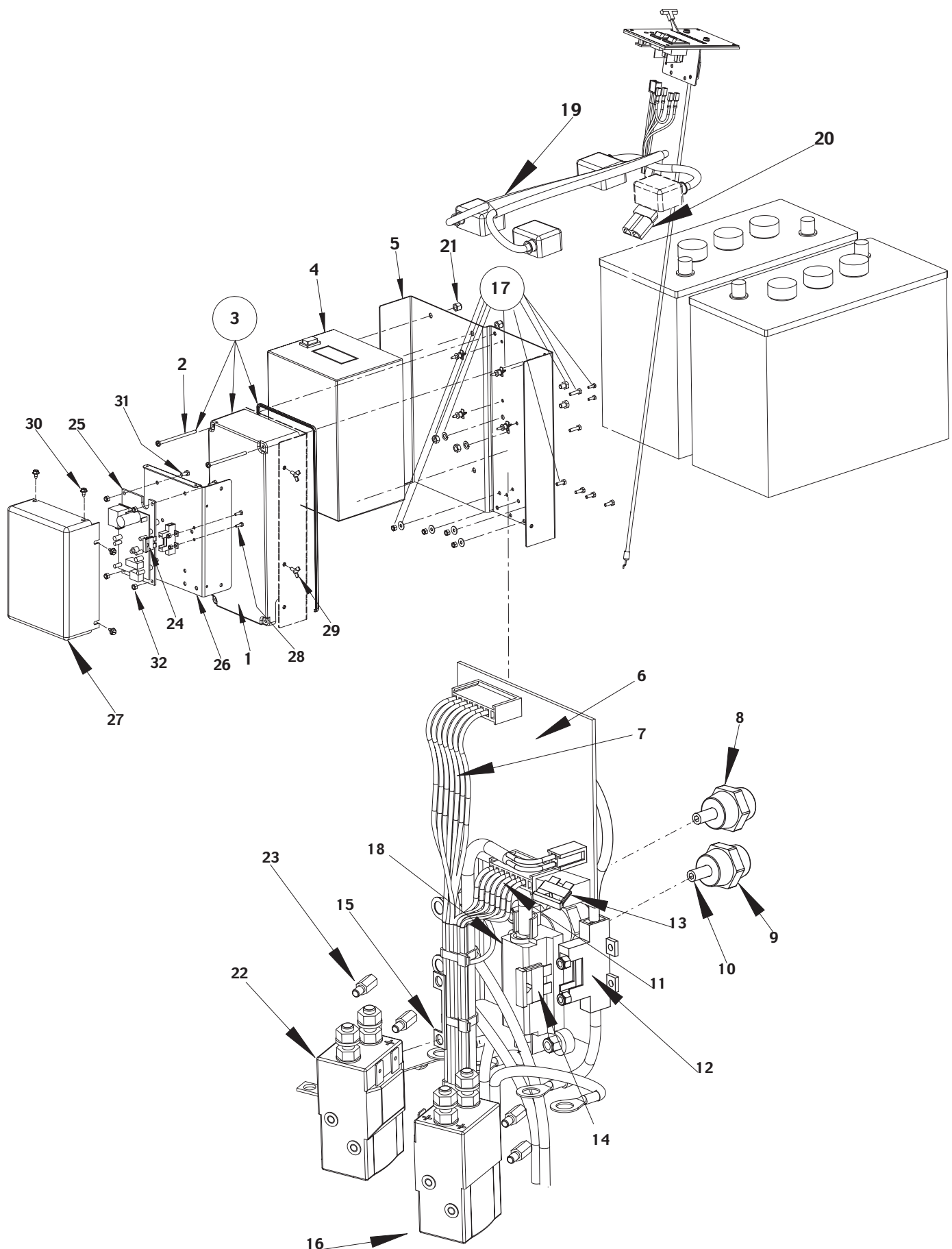
**Ricambi per caricabatteria
Pos. 4 08603971**

**Spare parts for battery
charger Item 4 08603971**

**Ersatzteile fuer Batterielad.
Bild 4 08603971**

**Pieces de tachees pour
chargeur Rép. 4 08603971**

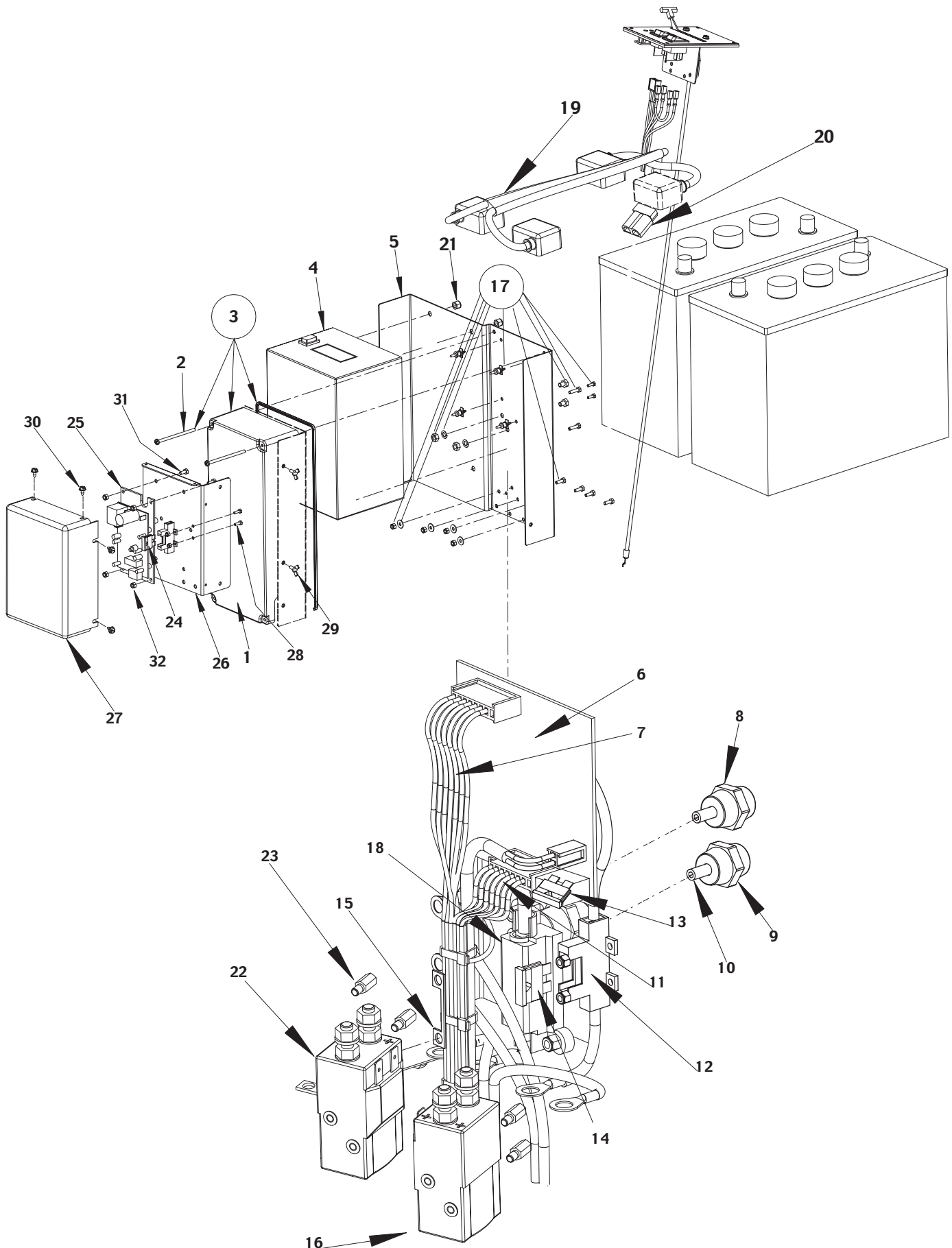
0	909 5731 000	1	Portafusibile	Fuse holder	Sicherungshalter	Support
0	909 5729 000	1	Fusibile 8A vetro	Fuse 8A	Sicherung	Fusible
0	909 5732 000	1	Fusibile 15A	Fuse 15A	Sicherung	Fusible
0	146 0794 000	1	Fusibile 1,6A vetro	Fuse 1.6A	Sicherung	Fusible
0	909 5733 000	1	Ventola di raffreddamento	Cooler fan	Kuehlungventil	Ventilateur
0	909 5931 000	1	Trasformatore 230V 24V	Transformer	Transformator	Transformateur
0	909 5736 000	1	Scheda display	Display card	Karte	Carte
0	909 5737 000	1	Scheda potenza	Power card	Karte	Carte
0	909 5738 000	1	Cavo di rete	Cable net	Kabel	Carte
0	146 0801 000	1	Interruttore wet/gel	Switch wet/gel	Schalter	Interrupteur



2004-11	SISTEMA ELETTRICO/ WIRING SYSTEM		BOOK E		
2003-08	BA 430S D / 510S D - J		E	2.9.1	35

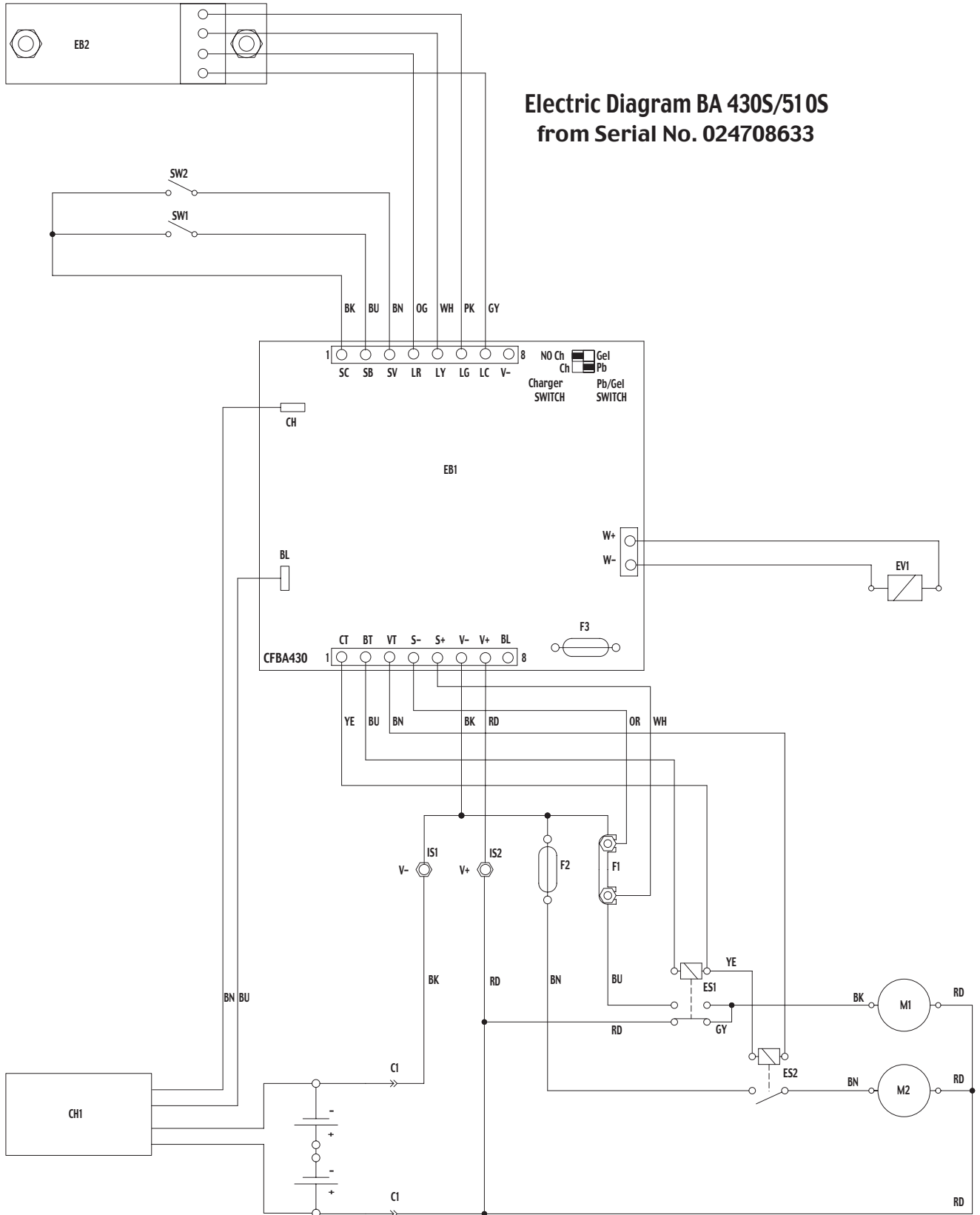
Pos Item Bild Rép	Codice Ref. No. Art. Nr. Réf. No	Quantità Qty Menge Qté	Descrizione	Description	Beschreibung	Désignation
1	08812284	1	Coperchio scheda elett.	Cover	Deckel	Couvercle
2	08812444	2	Vite TCTC M4x70	Screw	Schraube	Vis
3	08812625	1	Kit copertura con viti	Kit card covering w/screw	Satz el. Karte Abdeckung	Kit couvercle carte el.
4	08812821	1	Carica batteria 24V 220V	Battery charger 24V 220V	Batterieladegeraete	Chargeur de batterie
4#	08603971	1	Carica batteria 24V 100V	Battery charger 24V 100V	Batterieladegeraete	Chargeur de batterie
5	08812890	1	Supporto scheda elett.	Support	Halter	Support
6	909 5098 000	1	Scheda elettronica	Electronic card	Elekt. Karte	Carte electronique
7	909 5121 000	1	Cablaggio macchina	Machine harness	Machine Kabelverbindung	Cablage machine
8	146 0708 000	1	Isolatore bianco M6	Insulator	Isolator	Isolateur
9	146 0566 000	1	Isolatore rosso M6	Insulator	Isolator	Isolateur
10	146 0759 000	2	Grano	Dowel	Stift	Goupille
11	909 5122 000	1	Cablaggio scheda elett.	Electronic card harness	Elekt.Karte Kabelverbindung	Cablage carte elect.
12	146 0660 000	2	Porta fusibile	Fuse holder	Sicherungshalter	Support
13	145 9852 000	1	Fusibile 5A lamellare	Fuse 5A	Sicherung	Fusible
14	145 0227 000	1	Fusibile 40A lamellare	Fuse 40A	Sicherung	Fusible
15#	145 9854 000	1	Fusibile 50A a nastro	Fuse 50A	Sicherung	Fusible
16	146 0719 000	1	Teleruttore aspiratore	Electromagnetic switch	Elektromag.Schalter	Telerupteur
17	08603867	1	Kit fissaggio scheda elet.	Kit electr.card fixing	Zusatz elekt.Karte fixierung	Kit fixage carte elect.
18	145 8046 000	1	Porta fusibile	Fuse holder	Sicherungshalter	Support
19	08603889	1	Cablaggio batteria	Battery harness	Batterie Kabelverbindung	Cablage batterie
20	145 6062 000	1	Connettore rosso	Connector	Stecker	Prise
21	145 9132 000	4	Dado autobloccante M6	Nut selflocking M6	Mutter	Ecrou
22	909 5127 000	1	Teleruttore spazzola	Electromagnetic switch	Elektromag.Schalter	Telerupteur
23	146 0627 000	4	Distanziale	Spacer	Abstandstueck	Entretoise
24	145 8513 000	1	Fusibile 30A lamellare	Fuse 30A	Sicherung	Fusible
25	909 5110 000	1	Scheda elettronica trazione	Electronic card	Elekt. Karte	Carte electronique
26	909 5124 000	1	Supporto scheda	Electronic card support	Halter elekt. Karte	Support
26a	909 5867 000	1	Supporto scheda elettronica	Electronic card support	Halter elekt. Karte	Support
27	909 5126 000	1	Coperchio supporto scheda	Cover	Deckel	Couvercle
27a	909 5433 000	1	Coperchio supporto scheda	Cover	Deckel	Couvercle
28#	08812964	2	Vite TE M3X10	Screw hex hd M3x10	Schraube	Vis
29	909 5125 000	2	Vite ad aletta M4x10	Screw wing M4x10	Schraube	Vis
30#	909 5342 000	4	Vite TE 4,8x9,5 autofil.	Screw 4.8x9.5 thd form	Schraube	Vis
31	145 1773 000	4	Vite TE M4x10	Screw hex hd M4x10	Schraube	Vis
32	145 5743 000	4	Dado e.basso autobloc.M4	Nut ex.selflock.low M4	Mutter	Ecrou

- (27a) Starting from serial number not interchangeable (ODM1858)

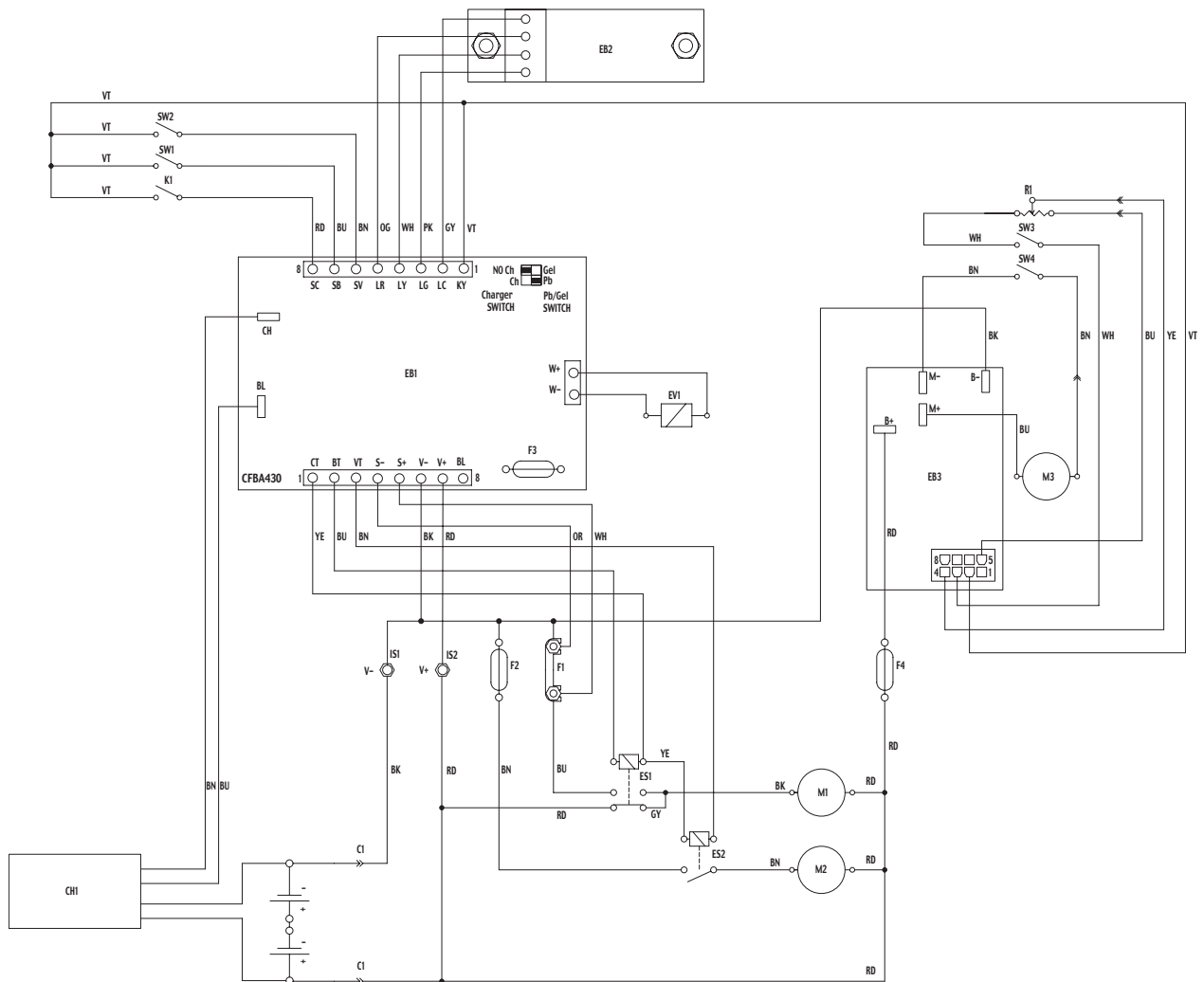


2004-11	SISTEMA ELETTRICO/ WIRING SYSTEM		BOOK E		
2003-08	BA 430S D / 510S D - J		E	2.9.1	37

Pos Item Bild Rép	Codice Ref. No. Art. Nr. Réf. No	Quantità Qty Menge Qté	Descrizione	Description	Beschreibung	Désignation
			Ricambi per caricabatteria Pos. 4 08812821	Spare parts for battery charger Item 4 08812821	Ersatzteile fuer Batterielad. Bild 4 08812821	Pieces de tachees pour chargeur Rép. 4 08812821
0	909 5731 000	1	Portafusibile	Fuse holder	Sicherungschalter	Support
0	909 5730 000	1	Fusibile 8A vetro	Fuse 8A	Sicherung	Fusible
0	909 5732 000	1	Fusibile 15A	Fuse 15A	Sicherung	Fusible
0	146 0794 000	1	Fusibile 1,6A vetro	Fuse 1.6A	Sicherung	Fusible
0	909 5733 000	1	Ventola di raffreddamento	Cooler fan	Kuehlungventil	Ventilateur
0	909 5735 000	1	Trasformatore 230V 24V	Transformer	Transformator	Transformateur
0	909 5736 000	1	Scheda display	Display card	Karte	Carte
0	909 5737 000	1	Scheda potenza	Power card	Karte	Carte
0	909 5739 000	1	Cavo di rete	Cable net	Kabel	Carte
0	146 0801 000	1	Interruttore wet/gel	Switch wet/gel	Schalter	Interrupteur
			Ricambi per caricabatteria Pos. 4 08603971	Spare parts for battery charger Item 4 08603971	Ersatzteile fuer Batterielad. Bild 4 08603971	Pieces de tachees pour chargeur Rép. 4 08603971
0	909 5731 000	1	Portafusibile	Fuse holder	Sicherungschalter	Support
0	909 5729 000	1	Fusibile 8A vetro	Fuse 8A	Sicherung	Fusible
0	909 5732 000	1	Fusibile 15A	Fuse 15A	Sicherung	Fusible
0	146 0794 000	1	Fusibile 1,6A vetro	Fuse 1.6A	Sicherung	Fusible
0	909 5733 000	1	Ventola di raffreddamento	Cooler fan	Kuehlungventil	Ventilateur
0	909 5931 000	1	Trasformatore 230V 24V	Transformer	Transformator	Transformateur
0	909 5736 000	1	Scheda display	Display card	Karte	Carte
0	909 5737 000	1	Scheda potenza	Power card	Karte	Carte
0	909 5738 000	1	Cavo di rete	Cable net	Kabel	Carte
0	146 0801 000	1	Interruttore wet/gel	Switch wet/gel	Schalter	Interrupteur



BA430S -510S Drive



LEGENDA	
CHI	BATTERY CHARGER (OPTIONAL)
C1	BATTERY CONNECTOR
EB1	ELECTRONIC BOARD (CFBA430)
EB2	LED BOARD (CFBALED)
EB3	DRIVE ELECTRONIC BOARD
ES1	BRUSH EL. SWITCH
ES2	VACUUM EL. SWITCH
EV1	WATER ELECTRIC VALVE
F1	BRUSH FUSE (50A)
F2	VACUUM FUSE (40A)
F3	WATER VALVE & ELECTR. FUSE (5A)
F4	DRIVE FUSE (30A)
IS1	NEGATIVE INSULATOR
IS2	POSITIVE INSULATOR
K1	KEY SWITCH
M1	BRUSH MOTOR
M2	VACUUM MOTOR
M3	DRIVE MOTOR
R1	SPEED REGULATOR
SW1	BRUSH SWITCH
SW2	VACUUM SWITCH
SW3	DRIVE CONTROL MICROSWITCH
SW4	DRIVE MOTOR MICROSWITCH

COLORS CODES	
BK	BLACK nero
BU	BLUE azzurro
BN	BROWN marrone
GN	GREEN verde
GY	GREY grigio
OG	ORANGE arancio
PK	PINK rosa
RD	RED rosso
VT	VIOLET viola
WH	WHITE bianco
YE	YELLOW giallo

Codice Ref. No. Art. Nr. Réf. No	Quantità Qty Menge Qte	Descrizione	Description
		Vista generale	General view
08603856	1	Kit adesivi BA 430S/430SD	Kit decals BA 430S/430SD
08603857	1	Kit adesivi BA 510S/510SD	Kit decals BA 510S/510SD
		Gruppo serbatoio	Tank system
08812869	1	Tubo scarico acqua	Drain hose
909 5582 000	1	Tubo aspirazione flessibile	Suction hose
08812977	1	Tubo isolante motore asp.	Acoustic insulation
145 8582 000	1	Fascetta	Clamp
		Fonoassorbente per motore	Acoustic insulation
909 5042 000	1	Kit carboncini	Carbon brushes kit
909 5074 000	1	Tubo acqua pulita	Solution hose
08603836	1	Guarnizione coperchio	Gasket, tank cover
08812873	1	Kit tubo acqua sporca	Kit drain hose
08603970	1	Kit leva sollevamento terg.	Squeegee lift lever kit
08603868	1	Chiusura tubo acqua pulita	Closure solution hose
08603858	1	Kit isolante acustico	Kit acoustic cover cpl
08603970	1	Kit leva sollevamento terg.	Squeegee lift lever kit
08603888	1	Kit motore asp.+connettore	Kit suct.motor+connec.
08603860	1	Kit regolazione maniglione	Handle adjusting kit
08812874	1	Kit manicotto	Kit elbow
909 5527 000	1	Kit tubo acqua pulita	Kit solution hose
909 5099 000	1	Kit regolatore maniglione	Handle adjuster kit
		Gruppo maniglione	Handle assembly
145 0372 000	1	Interruttore a chiave	Key switch
909 5705 000	1	Comando avanzamento	Speed controller
909 5116 000	1	Pomello potenziometro	Potentiometer knob
909 5123 000	1	Cablaggio potenziometro	Potentiometer harness
		Gruppo telaio	Chassis system
145 8478 000	1	Copripedale in gomma	Pedal cover
08603861	1	Kit ruota pivoettante post.	Kit castor wheel rear
08603862	1	Kit supporto serbatoio dx	Kit tank support right
08603863	1	Kit supporto serbatoio sx	Kit tank support left
909 5157 000	2	Carboncino per motorid. 909 5271 000	Carbon brush for reductiongear motor 909 5271 000
909 5271 000	1	Motoriduttore	Reduction gear motor
		Gruppo elettrovalvola	Solution system
08601624	2	Portagomma 1/4	Pipe holder 1/4
08812912	1	Elettrovalvola 24V	Solenoid valve 24V
909 5151 000	1	Kit filtro completo	Kit filter complete
08603855	1	Tubo spiralato ø10 560 mm	Pipe ø10 560 mm
909 5030 000	1	Kit elettrovalvola completo	Solenoid valve kit complete
909 5026 000	1	Tubo spiralato ø10 100 mm	Pipe ø10 100 mm
909 5025 000	1	Tubo spiralato ø10 300 mm	Pipe ø10 300 mm
08603854	1	Tubo spiralato ø10 270 mm	Pipe ø10 270 mm
909 5655 000	1	Kit elettrovalvola con rubinetto	Solenoid valve kit w. valve

2004-11	RICAMBI CONSIGLIATI/ RECOMMENDED SPARE PARTS	BOOK E		
	BA 430S / 510S - BA 430S D / BA 510S D	E	2.9.1	41

Codice Ref. No. Art. Nr. Réf. No	Quantità Qty Menge Qté	Descrizione	Description
		Gruppo tergitoro	Squeegee assembly
08602463	1	Gomma tergitoro ant.	Squeegee blade front
08602468	1	Gomma tergitoro post.	Squeegee blade rear
08603878	1	Kit tergitoro completo	Kit squeegee complete
08812518	1	Kit viti di regolazione	Adjustment screws kit
08603879	1	Kit ruota tergitoro	Kit squeegee wheel
08603877	1	Kit staffa sup. tergitoro	Kit squeegee sup. bracket
08603880	1	Kit ruota paracolpi	Kit squeegee bumper roller
08812516	1	Kit fissaggio	Fixture kit
08812521	1	Kit fissaggio tergitoro	Fix. Nozzle holder left/right kit
08603876	1	Kit supporto tergitoro	Kit squeegee holder
08603923	1	Kit ruota paracolpi	Bumper roller opt. Kit
08837041	1	Kit gomme tergitoro antiolio	Kit oil resistant blades
08812404	1	Kit gomme std tergitoro	Wear pack: std squeegee blades, solution filter
08812405	1	Kit gomme tergitoro antiolio	Wear pack: oil res. squeegee blades, solution filter
		Gruppo spazzola	Brush system
08219000	1	Antivibrante cilind. M 8	Vibration damping M8
08812203	2	Volantino piastra spaz.	Knob for brush plate
08812213	2	Distanziale piastra spaz.	Buffer for brush plate
08812706	2	Perno fissaggio piastra spaz.	Dowel broom plate fixing
909 5507 000	1	Motoriduttore 520W 24V	Reduction gear motor cpl.
08603949	1	Kit carboncini	Carbon brushset
08812589	1	Kit supporto poligonale	Polygonal holder kit
08837020	1	Spazzola prolene	Brush ppn medium 450mm
08837021	1	Spazzola prolite	Brush ppn soft 450mm
08837022	1	Spazzola union mix	Brush union mix 450mm
08837023	1	Spazzola midlite aggressiva	Brush midlite aggressive 450mm
08837024	1	Spazzola midgrit	Brush midgrit medium 450mm
08837025	1	Spazzola prolene	Brush ppn medium 530mm
08837026	1	Spazzola prolite soft	Brush prolite soft 530mm
08837027	1	Spazzola union mix	Brush union mix 530mm
08837028	1	Spazzola midlite aggressiva	Brush midlite aggressive 530mm
08837029	1	Spazzola midgrit	Brush midgrit 530mm
08837065	1	Spazzola magna grit	Brush magna grit 530mm
08837066	1	Spazzola dyna grit	Brush dyna grit 530mm
08837067	1	Spazzola agligril	Brush aglitegrit 530mm
08837017	1	Kit disco trascinatore	Pad holder kit cpl 430mm
08837018	1	Kit disco trascinatore	Pad holder kit cpl 510mm
		Pannello di controllo	Control panel system
909 5667 000	1	Interruttore completo	Switch complete
909 5689 000	1	Kit plancia con serigrafia	Kit control panel w/decal
		Sistema elettrico	Wiring system
08812821	1	Caricabatteria 24V 220V	Battery charger 24V 220V
08603971	1	Caricabatteria 24V 100V - J	Battery charger 24V 100V - J
145 0227 000	1	Fusibile 40A lamellare	Fuse 40A
145 0300 000	1	Teleruttore	Electromagnetic switch
909 5098 000	1	Scheda elettronica	Electronic card
145 8513 000	1	Fusibile 30A lamellare	Fuse 30A
146 0719 000	1	Teleruttore aspiratore	Electromagnetic switch
909 5110 000	1	Scheda elettronica trazione	Electronic card
909 5127 000	1	Teleruttore spazzola	Electromagnetic switch



CFM S.p.A - Nilfisk Advance Division

Registered office: Via F. Turati 16/18, 20121 Milano

Administrative office: Localita' Novella Terza, 26862 Guardamiglio (Lodi) Italy

www.nilfisk-advance.com

Phone: +39 0377 451124

Fax: +39 0377 51443

Printed in Italy