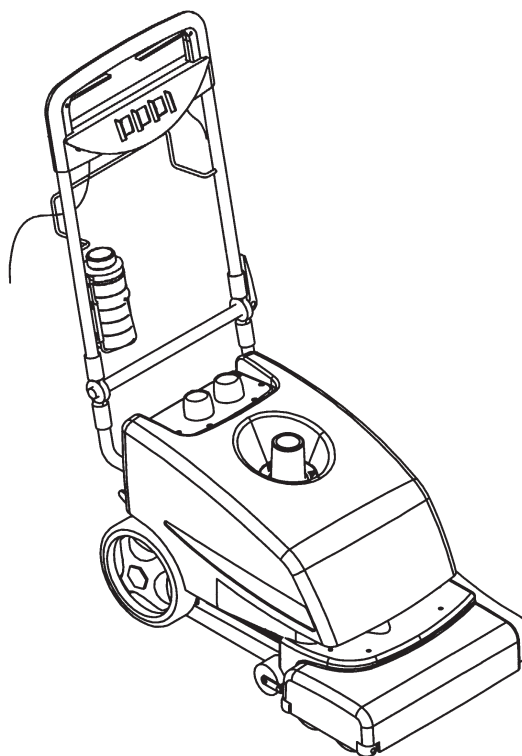




**Ersatzteilliste**  
**Liste des pièces de rechange**  
**Spare parts list**

# TASKI swift 35 dry foam

| TASKI swift 35 dry foam |          |       | Serie(s)     |
|-------------------------|----------|-------|--------------|
| 7511179                 | swift 35 | SEV   | 230V/50Hz 02 |
| 7511180                 | swift 35 | EURO  | 230V/50Hz 02 |
| 7511181                 | swift 35 | UK    | 240V/50Hz 02 |
| 7511182                 | swift 35 | CSA   | 120V/60Hz 02 |
| 7511183                 | swift 35 | JAPAN | 100V/50Hz 02 |
| 7511188                 | swift 35 | JAPAN | 100V/60HZ 02 |
| 7517958                 | swift 35 | CN    | 230V/50Hz 02 |

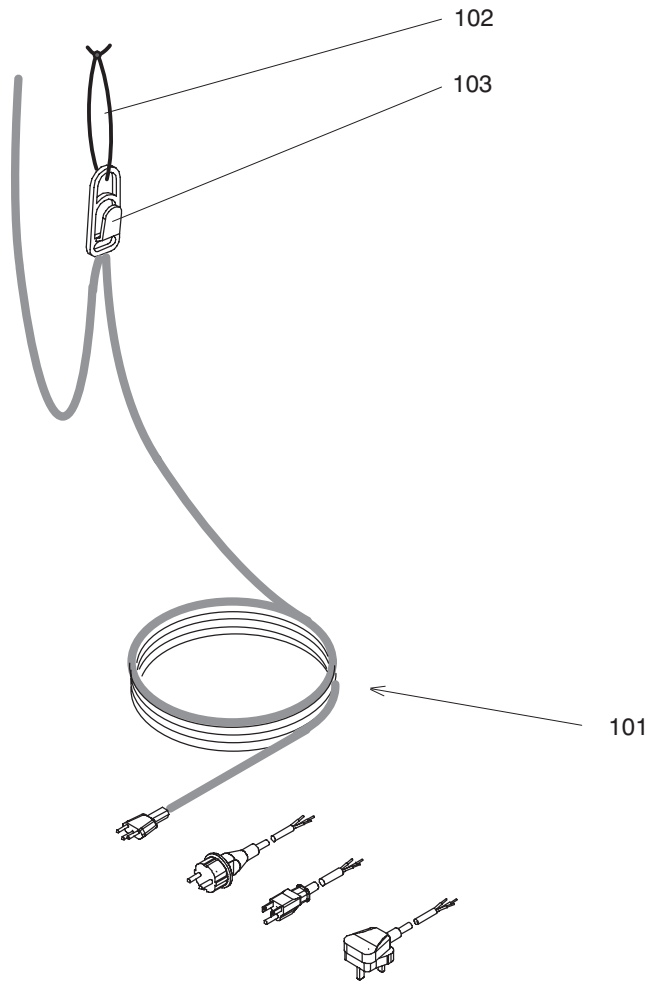


Postfach CH 9542 Münchwilen  
Telefon +41 71 969 27 27 Fax +41 71 969 22 53

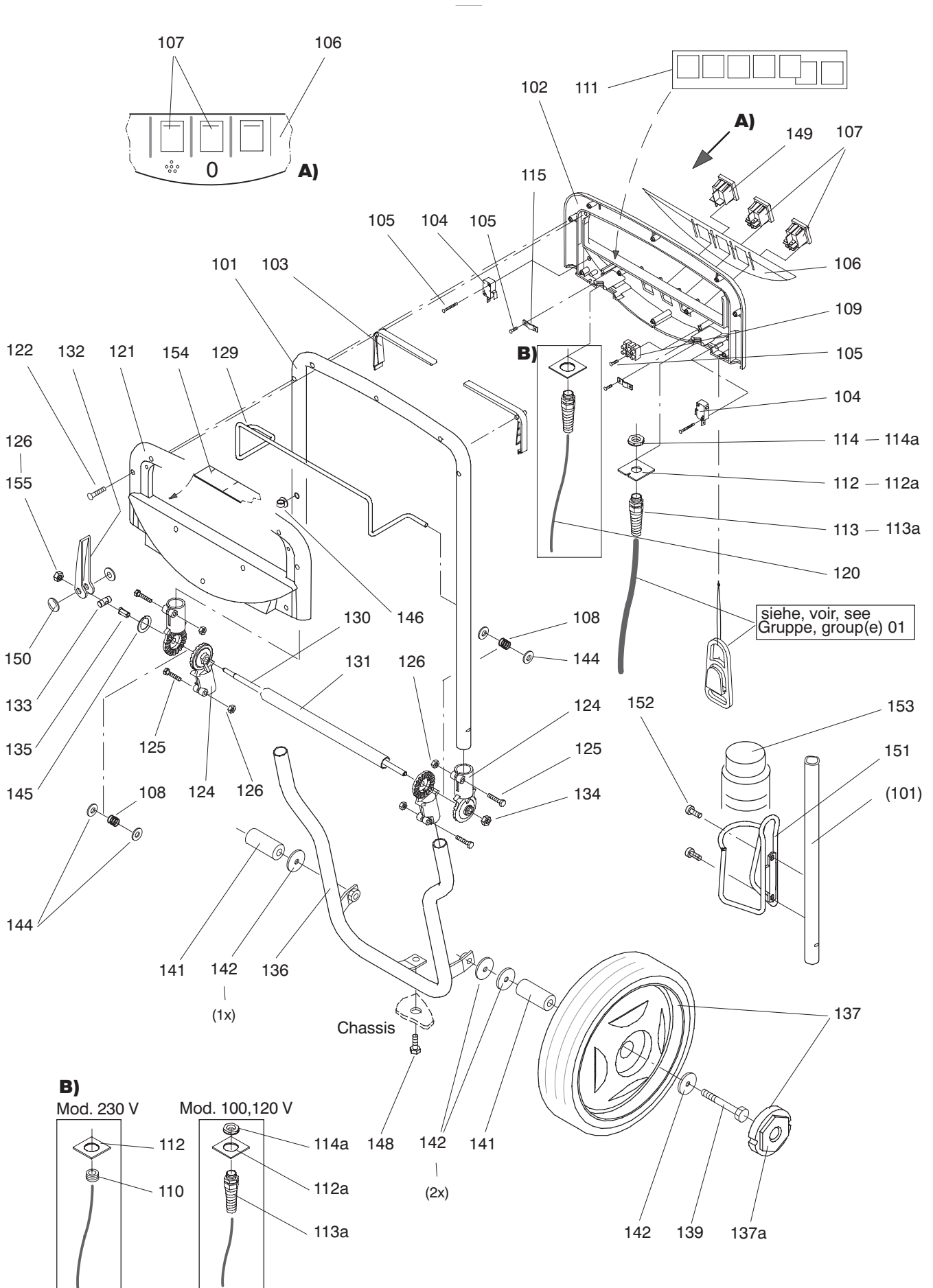
Ausführung/Execution; List(e) /2  
17.04.2003 SPS

| S003994  |                                 |                                 |       |                 | TASKI swift 35 dry foam | TASKI swift 35 dry foam | TASKI swift 35 dry foam |
|----------|---------------------------------|---------------------------------|-------|-----------------|-------------------------|-------------------------|-------------------------|
| Pos. No. | Artikelnr. Article No. Item No. | Bestellnr. No. de com Order No. | Model | Stck. Piè. Qty. | Bezeichnung             | Designation             | Description             |
| 1        | S003964                         |                                 |       | 1.00            | Netzkabel               | Câble d'alimentation    | Main cord               |
| 2        | S003965                         |                                 |       | 1.00            | Bedienungselemente      | Eléments de commande    | Operating elements      |
| 3        | S003966                         |                                 |       | 1.00            | Basisgruppe             | Base                    | Base                    |
| 4        | S003970                         |                                 |       | 1.00            | Baugruppe               | Base                    | Base                    |
| 5        | S003987                         |                                 |       | 1.00            | Tank                    | Réservoir               | Tank                    |
| 6        | S003998                         |                                 |       | 1.00            | Bürste                  | Brosse                  | Brush                   |
| 7        | S003990                         |                                 |       | 1.00            | Ventilblock             | Bloc de soupape         | Valve unit              |
| 8        | S003992                         |                                 |       | 1.00            | Elektroschema           | Schéma électrique       | Electrical diagram      |

| S003964  |                                 |                                 |         |                 | Netzkabel           | Câble d'alimentation           | Main cord           |
|----------|---------------------------------|---------------------------------|---------|-----------------|---------------------|--------------------------------|---------------------|
| Pos. No. | Artikelnr. Article No. Item No. | Bestellnr. No. de com Order No. | Model   | Stck. Piè. Qty. | Bezeichnung         | Designation                    | Description         |
| 101      | 17412-08                        | 4099370                         | 7511179 | 1.00            | Netzkabel 2L+P SEV  | Câble d'alimentation 2L+P ASE  | Main cord 2L+P SEA  |
| 101      | 56001-30                        | 4099350                         | 7511180 | 1.00            | Netzkabel 2L+P EURO | Câble d'alimentation 2L+P EURO | Main cord 2L+P EURO |
| 101      | 14605-33                        | 4122437                         | 7511181 | 1.00            | Netzkabel 2L+P UK   | Câble d'alimentation 2L+P UK   | Main cord 2L+P UK   |
| 101      | 14602-96                        | 4121954                         | 7511182 | 1.00            | Netzkabel 2L+P CSA  | Câble d'alimentation 2L+P CSA  | Main cord 2L+P CSA  |
| 101      | 14602-96                        | 4121954                         | 7511183 | 1.00            | Netzkabel 2L+P CSA  | Câble d'alimentation 2L+P CSA  | Main cord 2L+P CSA  |
| 101      | 14602-96                        | 4121954                         | 7511188 | 1.00            | Netzkabel 2L+P CSA  | Câble d'alimentation 2L+P CSA  | Main cord 2L+P CSA  |
| 101      | 56001-76                        |                                 | 7517958 | 1.00            | Netzkabel 2L+P CN   | Câble d'alimentation 2L+P CN   | Main cord 2L+P CN   |
|          | -                               |                                 |         |                 | -                   | -                              | -                   |
|          | -                               |                                 |         |                 | -                   | -                              | -                   |
| 102      | 17506-41                        | 4091760                         |         | 1.00            | Zugschlinge         | Boucle de retention            | Retention Loop      |
| 103      | 4425/021                        | 4025940                         |         | 1.00            | Kabelzugentlastung  | Etrangloir                     | Strain Relief       |



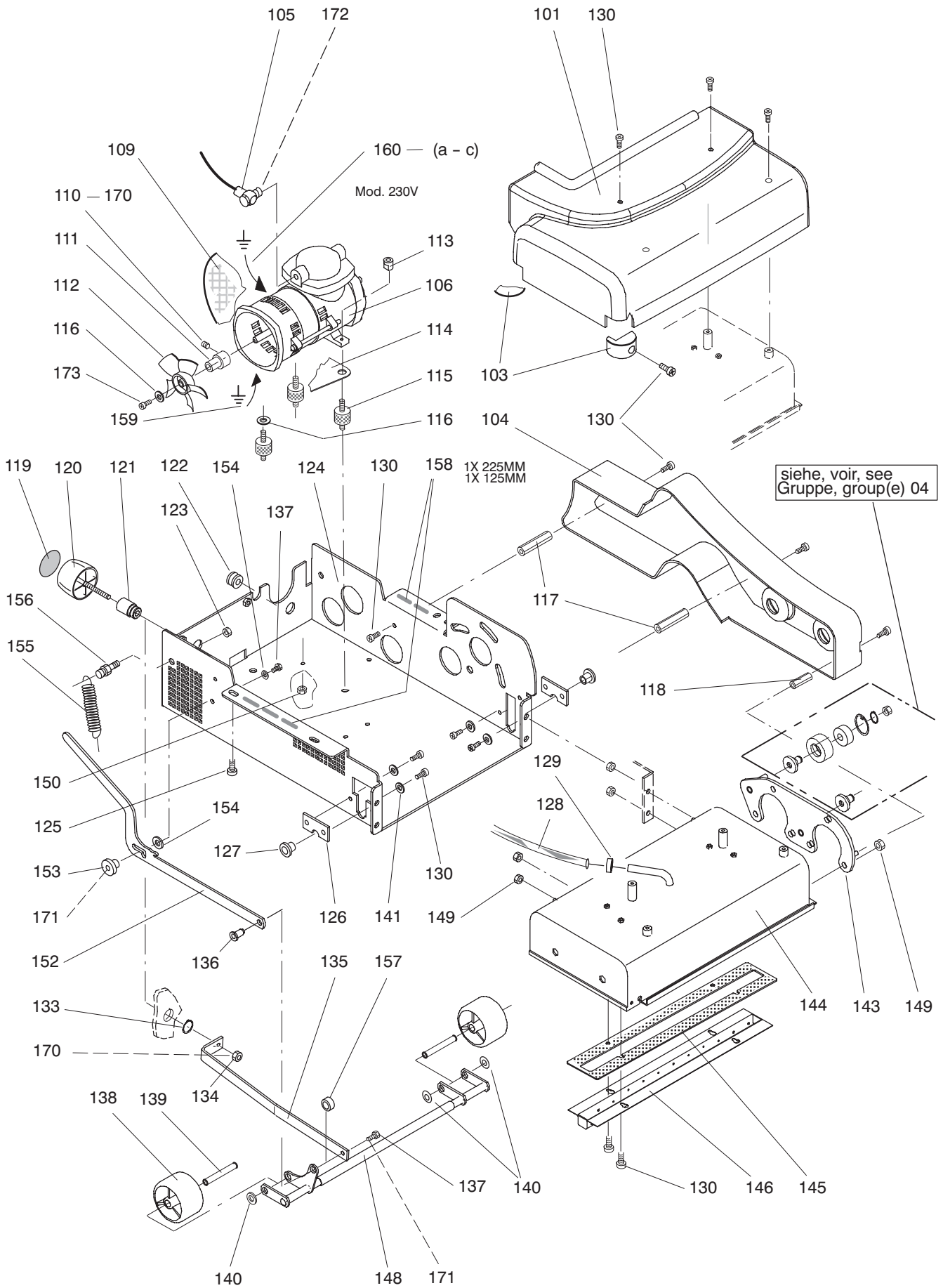
| S003965  |                                 |                                 |          |                 | Bedienungselemente                      | Eléments de commande                   | Operating elements                         |
|----------|---------------------------------|---------------------------------|----------|-----------------|---|--|--|
| Pos. No. | Artikelnr. Article No. Item No. | Bestellnr. No. de com Order No. | Model    | Stck. Piè. Qty. | Bezeichnung                             | Designation                            | Description                                |
| 101      | 17415-86                        | 4122019                         |          | 1.00            | Griffbügel                              | Poignée                                | Handle                                     |
| 102      | 17411-73                        | 4100740                         |          | 1.00            | Griffschale                             | Poignée                                | Handle housing                             |
| 103      | 17411-74                        | 4100730                         |          | 2.00            | Hebel                                   | Levier                                 | Lever                                      |
| 104      | 4501/102                        | 4021120                         |          | 2.00            | Microschalter                           | Microrupteur                           | Microswitch                                |
| 105      | 1840/003                        | 4062420                         |          | 9.00            | PT-Schr LK KS KA30x16                   | Vis pour plastique KA30x16             | Screw for plastic KA30x16                  |
| 106      | 17415-42                        | 4122025                         |          | 1.00            | Tastaturfolie                           | Plaquette de commande                  | Control label                              |
| 107      | 4531/131                        | 4081570                         |          | 2.00            | Wippenschalter                          | Interrupteur                           | Rocking Switch                             |
| 108      | 2804/738                        | 4082960                         |          | 2.00            | Druckfeder                              | Ressort de pression                    | Pressure spring                            |
| 109      | 4016/203                        | 4047410                         |          | 1.00            | Klemmenleiste 3-Pol 2.5 mm <sup>2</sup> | Serre-fils 3-pôles 2.5 mm <sup>2</sup> | Connection bloc 3-ways 2.5 mm <sup>2</sup> |
| 110      | 5806/100                        | 4056470                         |          | 1.00            | Durchführungstülle 9                    | Douille de passage 9                   | Grommet 9                                  |
| 111      | 17415-21                        | 4122028                         |          | 1.00            | Piktogramme swift 35                    | Pictogrammes swift 35                  | Pictograms swift 35                        |
| 112      | 17411-85                        | 4105150                         | 230V     | 1.00            | Platte                                  | Plaque                                 | Plate                                      |
| 112a     | 17412-61                        | 4105630                         | 100,120V | 1.00            | Platte                                  | Plaque                                 | Plate                                      |
| 113      | 5811/100                        | 4094570                         | 230V     | 1.00            | Kabelverschraubung PG 9                 | Presse-étoupe PG 9                     | Cable bush PG 9                            |
| 113a     | 5811/102                        | 4105640                         | 100,120V | 1.00            | Kabelverschraubung PG 13,5              | Presse-étoupe PG 13,5                  | Cable bush PG 13,5                         |
| 114      | 5811/101                        | 4094770                         | 230V     | 1.00            | Sechskantmutter PG 9                    | Écrou à six pans PG 9                  | Hexagon nut PG 9                           |
| 114a     | 4003/5                          | 4082580                         | 100,120V | 1.00            | Sechskantmutter PG 13                   | Écrou à six pans PG 13                 | Hexagon nut PG 13                          |
| 115      | 10140-4                         | 4001020                         |          | 2.00            | Bride                                   | Bride de câble                         | Cable Clamp                                |
| 120      | 17415-75                        | 4121977                         | 230-240V | 1.00            | Verbindungskabel 4L+P                   | Câble de connection 4L+P               | Connecting cable 4L+P                      |
| 120      | 17415-76                        | 4122012                         | 100,120V | 1.00            | Verbindungskabel 4L+P                   | Câble de connection 4L+P               | Connecting cable 4L+P                      |
| 121      | 17411-72                        | 4100850                         |          | 1.00            | Griffboden                              | Poignée arrière                        | Back Handle                                |
| 122      | 1840/013                        | 4083570                         |          | 10.00           | PT-Schr LK KS KA40x18                   | Vis pour plastique KA40x18             | Screw for plastic KA40x18                  |
| 124      | 17411-77                        | 4100840                         |          | 4.00            | Gelenk                                  | Articulation                           | Articulation                               |
| 125      | 1010/168                        | 4095280                         |          | 4.00            | 6Kt-Schr M6x25                          | Vis à tête six pans M6x25              | Hexagon screw M6x25                        |
| 126      | 1660/6                          | 4007270                         |          | 5.00            | Sechskantmutter M6                      | Écrou à six pans M6                    | Hexagon nut M6                             |
| 129      | 17412-33                        | 4100830                         |          | 1.00            | Bügel                                   | Etrier                                 | Bracket                                    |
| 130      | 17411-80                        | 4100820                         |          | 1.00            | Stange                                  | Barre                                  | Bar  |
| 131      | 17411-24                        | 4100810                         |          | 1.00            | Rohr 19/22x340                          | Tube                                   | Pipe                                       |
| 132      | 17411-75                        | 4099460                         |          | 1.00            | Hebel                                   | Levier                                 | Lever                                      |
| 133      | 17412-16                        | 4100800                         |          | 1.00            | Knebel                                  | Axe                                    | Axle                                       |
| 134      | 1723/6                          | 4088160                         |          | 1.00            | Sicherungsmutter M8                     | Écrou de sureté M8                     | Self-locking nut M8                        |
| 135      | 17412-18                        | 4100790                         |          | 1.00            | Sechskanthülse                          | Douille                                | Bush                                       |
| 136      | 17411-89                        | 4100780                         |          | 1.00            | Bügel                                   | Etrier                                 | Bracket                                    |
| 137      | 30011-19                        | 4095100                         |          | 2.00            | Rad 200/48                              | Roue 200 mm                            | Wheel 200 mm                               |
| 137a     | 3395/060                        | 4104710                         |          | 0.00            | Deckel                                  | Couvercle                              | Cap  |
| 139      | 1014/171                        | 4016140                         |          | 2.00            | 6Kt-Schr M8x70/22                       | Vis à tête six pans M8x70/22           | Hexagon screw M8x70/22                     |
| 141      | 17411-29                        | 4100770                         |          | 2.00            | Buchse 8,4/20,35x47,5                   | Douille 8,4/20,35x47,5                 | Bush 8,4/20,35x47,5                        |
| 142      | 1759/126                        | 4122951                         |          | 5.00            | Scheibe 9,4/35x2,5                      | Rondelle 9,4/35x2,5                    | Washer 9,4/35x2,5                          |
| 144      | 1742/162                        | 4101810                         |          | 4.00            | Scheibe 10/22x0,2                       | Rondelle 10/22x0,2                     | Washer 10/22x0,2                           |
| 145      | 17411-96                        | 4100760                         |          | 1.00            | Scheibe                                 | Disque                                 | Disc                                       |
| 146      | 4212/131                        | 4104780                         |          | 5.00            | Kabelhalter 8                           | Fixation pour câble                    | Cable Clip                                 |
| 148      | 1010/186                        | 4122005                         |          | 1.00            | 6Kt-Schr M8x16                          | Vis à tête six pans M8x16              | Hexagon screw M8x16                        |
| 149      | 4531/135                        | 4094060                         |          | 1.00            | Abdeckung                               | Couvercle                              | Cover                                      |
| 150      | 2904/010                        | 4021330                         |          | 2.00            | Sicherungsscheibe 10 mit Kappe          | Anneau de retenue 10                   | Retaining washer 10 with cover             |
| 151      | 17415-77                        | 4122029                         |          | 1.00            | Halter                                  | Fixation                               | Holder                                     |
| 152      | 1207/206                        | 4060530                         |          | 2.00            | L-Schr KS M5x10                         | Vis à tête cyl. bomb. M5x10            | Raised cheese hd.screw M5x10               |
| 153      | 3821/50                         | 4036220                         |          | 1.00            | Flasche 0,5 L                           | Bouteille 0,5 l                        | Bottle 0,5 L                               |
| 154      | 17413-22                        | 4105610                         |          | 1.00            | Platte                                  | Plaque                                 | Plate                                      |
| 155      | 8936/62                         | 4031660                         |          | 0.00            | Sicherungs-Klebstoff schwach            | Colle pour blocage faible              | Adhesive locking faint                     |
|          | 14518-31                        | 4056360                         |          | 1.00            | Schild                                  | Plaquette                              | Label                                      |
|          | 17561-12                        | 4078020                         |          | 1.00            | Schild Filter                           | Plaquette filtre                       | Label filter                               |
|          | 55051-4                         | 4054080                         |          | 1.00            | Schild Erdung                           | Plaquette de mise à terre              | Label earthing                             |



| S003966  |                                 |                                 |           |                 | Basisgruppe                    | Base                         | Base                          |
|----------|---------------------------------|---------------------------------|-----------|-----------------|--------------------------------|------------------------------|-------------------------------|
| Pos. No. | Artikelnr. Article No. Item No. | Bestellnr. No. de com Order No. | Model     | Stck. Piè. Qty. | Bezeichnung                    | Designation                  | Description                   |
| 101      | 17415-12                        | 4116820                         |           | 1.00            | Bürstenhaube                   | Capot de brosse              | Brush housing                 |
| 103      | 17415-68                        | 4122038                         |           | 2.00            | Gleiter                        | Protecteur                   | Slide Block                   |
| 104      | 17415-16                        | 4121978                         |           | 1.00            | Abdeckung                      | Couvercle                    | Cover                         |
| 105      | 2775/107                        | 4121980                         |           | 1.00            | Winkelverschraubung G 1/8"     | Raccord équerre G 1/8"       | Angle Socket G 1/8"           |
| 106      | 4690/102                        | 4121981                         | 230,240V  | 1.00            | Kompressor 220-240V 50/60Hz    | Compresseur 220-240V 50/60Hz | Compressor 220-240V 50/60Hz   |
| 106      | 4690/51                         | 4109460                         | 100,120V  | 1.00            | Kompressor 100-120V 50/60Hz    | Compresseur 115V 60Hz        | Compressor 115V 60Hz          |
| 109      | 17415-51                        | 4121982                         | 230V      | 1.00            | Verschaltung                   | Protection                   | Protection                    |
| 109      | 56151-61                        | 4109330                         | 100,120V  | 1.00            | Abdeckung                      | Couvercle                    | Cover                         |
| 110      | 1552/6                          | 4019720                         |           | 1.00            | Gewindestift I-6Kt RS M4x4     | Vis sans tête M4x4           | Hexagon grub screw M4x4       |
| 111      | 16290-67                        | 4018720                         | 100, 120V | 1.00            | Bundbuchse spez                | Douille à épaul. spec        | Flanged bush spec             |
| 112      | 2791/001                        | 4123119                         | 230,240V  | 1.00            | Ventilatorflügel               | Pale d'hélice                | Fan blade                     |
| 112      | 2791/52                         | 4020030                         | 120V      | 1.00            | Ventilatorflügel               | Pale d'hélice                | Fan blade                     |
| 113      | 56151-80                        | 4122748                         |           | 2.00            | Mutter M4 spez                 | Écrou M4 spec                | Nut M4 spec                   |
| 114      | 56151-81                        | 4122747                         |           | 1.00            | Platte                         | Plaque                       | Plate                         |
| 115      | 56151-79                        | 4121983                         | 230V      | 3.00            | Puffer                         | Amortisseur                  | Buffer                        |
| 115      | 16290-46                        | 4018600                         | 120V      | 1.00            | Puffer                         | Amortisseur                  | Buffer                        |
| 116      | 1759/113                        | 4093840                         |           | 2.00            | Scheibe 5,3/15x1,2             | Rondelle 5,3/15x1,2          | Washer 5,3/15x1,2             |
| 117      | 1568/001                        | 4100990                         |           | 2.00            | Distanzhalter M5x55            | Entretoise M5x55             | Distance piece M5x55          |
| 118      | 1568/002                        | 4122032                         |           | 1.00            | Distanzhalter M5x35            | Entretoise M5x35             | Distance piece M5x35          |
| 119      | 17415-48                        | 4122020                         |           | 1.00            | Schild Bürste                  | Plaque brosse                | Label brush                   |
| 120      | 56151-19                        | 4109250                         |           | 1.00            | Drehknopf                      | Bouton                       | Knob                          |
| 121      | 17415-29                        | 4121985                         |           | 1.00            | Bundbuchse spez                | Douille à épaul. spec        | Flanged bush spec             |
| 122      | 5806/100                        | 4056470                         | 230,240V  | 1.00            | Durchführungsstülle 9          | Douille de passage 9         | Grommet 9                     |
| 122      | 5806/193                        | 4105670                         | 120V      | 1.00            | Durchführungsstülle 11         | Douille de passage 11        | Grommet 11                    |
| 123      | 1660/5                          | 4023860                         |           | 1.00            | Sechskantmutter M5             | Écrou à six pans M5          | Hexagon nut M5                |
| 124      | 17415-30                        | 4122039                         |           | 1.00            | Chassis                        | Châssis                      | Chassis                       |
| 125      | 1840/022                        | 4087930                         |           | 4.00            | Delta PT-Schr LK As Torx 60x16 | Vis Delta PT Torx 60x16      | Screw delta PT Torx 60x16     |
| 126      | 17415-35                        | 4122013                         |           | 2.00            | Platte                         | Plaque                       | Plate                         |
| 127      | 2511/5                          | 4025010                         |           | 2.00            | Gleitlager 10/11,6/15x10,8     | Coussinet 10/11,6/15x10,8    | Slide bearing 10/11,6/15x10,8 |
| 128      | 8820/10                         | 4028460                         |           | 0.74            | Schlauch m Draht 10/16 PVC     | Tuyau spirale 10/16 PVC      | Hose with wire 10/16 PVC      |
| 129      | 2175/184                        | 4122308                         |           | 1.00            | Schlauchklemme 14,5-16         | Bride 14,5-16                | Hose clamp 14,5-16            |
| 130      | 1207/206                        | 4060530                         |           | 19.00           | L-Schr KS M5x10                | Vis à tête cyl. bomb. M5x10  | Raised cheese hd.screw M5x10  |
| 133      | 2911/17                         | 4043330                         |           | 1.00            | Sicherungsring 17 A            | Anneau de retenue 17 A       | Retaining ring 17 A           |
| 134      | 1723/5                          | 4043560                         |           | 1.00            | Sicherungsmutter M6            | Écrou de sureté M6           | Self-locking nut M6           |
| 135      | 17415-28                        | 4122021                         |           | 1.00            | Stange                         | Barre de connection          | Connecting Bar                |
| 136      | 17415-69                        | 4121986                         |           | 1.00            | Bundbolzen                     | Goujon à embage              | Flanged Bolt                  |
| 137      | 1004/164                        | 4070080                         |           | 2.00            | 6Kt-Schr M6x10                 | Vis à tête six pans M6x10    | Hexagon screw M6x10           |
| 138      | 16050-7                         | 4024910                         |           | 2.00            | Rolle                          | Roulette                     | Castor                        |
| 139      | 17415-45                        | 4122030                         |           | 2.00            | Rillennachse                   | Axe                          | Axle                          |
| 140      | 2910/9                          | 4024890                         |           | 4.00            | Sicherungsring 10 A            | Anneau de retenue 10 A       | Retaining ring 10 A           |
| 141      | 1759/12                         | 4022860                         |           | 7.00            | Scheibe 5,3/10x1               | Rondelle 5,3/10x1            | Washer 5,3/10x1               |
| 143      | 17415-23                        | 4122040                         |           | 1.00            | Getriebeplatte                 | Plaque engrainage            | Gear Plate                    |
| 144      | 17415-13                        | 4122014                         |           | 1.00            | Bürstengehäuse                 | Bâti de brosse               | Brush Housing                 |
| 145      | 17415-43                        | 4121987                         |           | 1.00            | Flachdichtung                  | Joint plat                   | Flat Gasket                   |
| 146      | 17415-17                        | 4121988                         |           | 1.00            | Kanal                          | Canal                        | Channel                       |
| 148      | 17415-18                        | 4122026                         |           | 1.00            | Rollengabel                    | Axe                          | Axle                          |
| 149      | 1660/6                          | 4007270                         |           | 10.00           | Sechskantmutter M6             | Écrou à six pans M6          | Hexagon nut M6                |
| 150      | 1723/3                          | 4042420                         |           | 3.00            | Sicherungsmutter M4            | Écrou de sureté M4           | Self-locking nut M4           |
| 152      | 17415-27                        | 4122031                         |           | 1.00            | Hebel                          | Lever                        | Lever                         |
| 153      | 17411-99                        | 4101130                         |           | 1.00            | Sechskantmutter M6 spez        | Écrou à six pans M6 spec     | Hexagon nut M6 spec           |

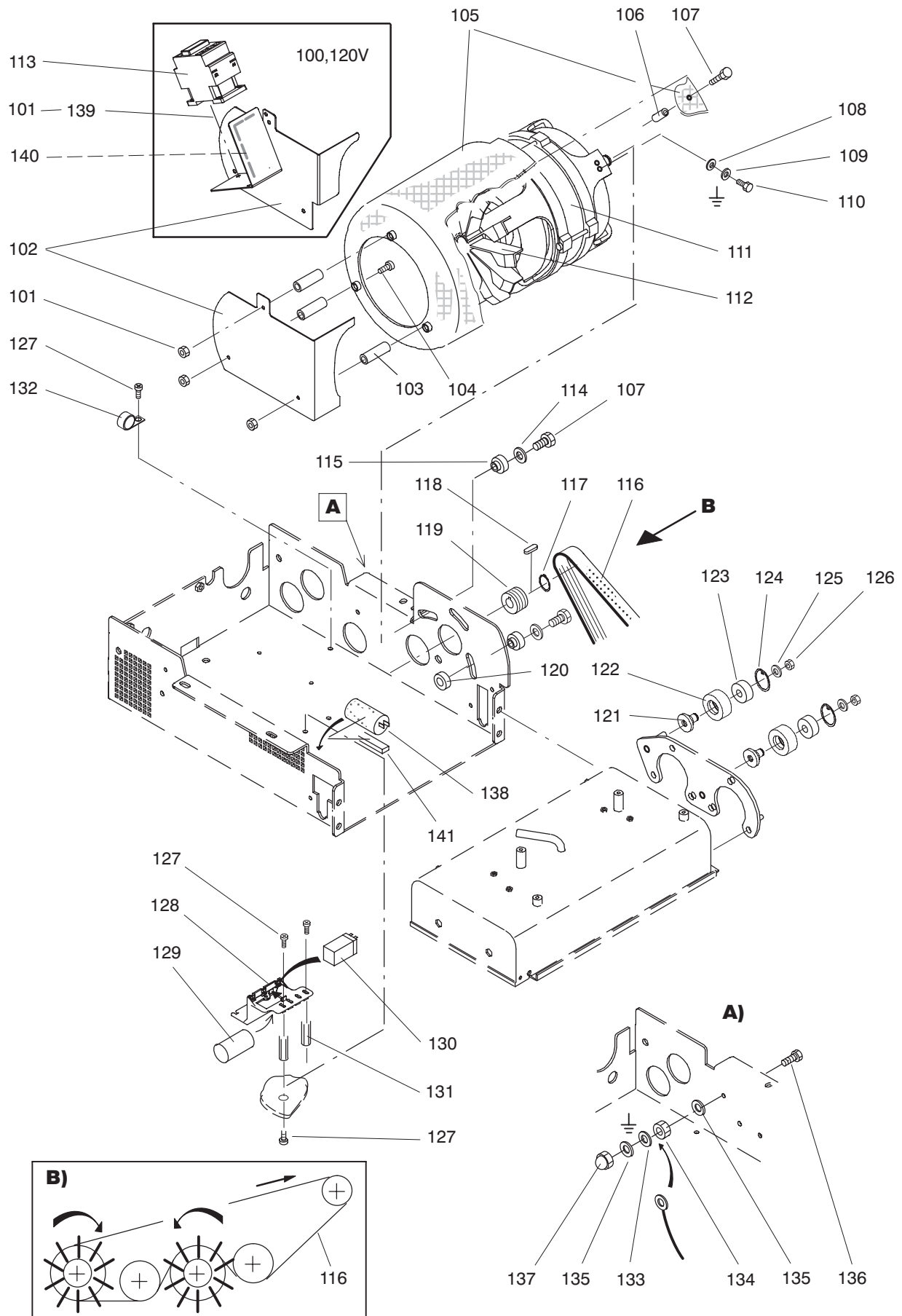
| S003966  |                                 |                                 |       |                 | Basisgruppe                  | Base                        | Base                         |
|----------|---------------------------------|---------------------------------|-------|-----------------|------------------------------|-----------------------------|------------------------------|
| Pos. No. | Artikelnr. Article No. Item No. | Bestellnr. No. de com Order No. | Model | Stck. Piè. Qty. | Bezeichnung                  | Designation                 | Description                  |
| 154      | 1752/58                         | 4007490                         |       | 2.00            | Scheibe 6,4/18x1,6           | Rondelle 6,4/18x1,6         | Washer 6,4/18x1,6            |
| 155      | 2807/001                        | 4094240                         |       | 1.00            | Zugfeder                     | Ressort de tension          | Tension spring               |
| 156      | 17412-71                        | 4105820                         |       | 1.00            | Rillenbolzen                 | Goujon                      | Bolt                         |
| 157      | 5100/014                        | 4122044                         |       | 1.00            | Buchse 10/15x7,5             | Douille 10/15x7,5           | Bush 10/15x7,5               |
| 158      | 8401/181                        | 4107380                         |       | 2.00            | Dichtungsband 10x10          | Bande d'étanchéité 10x10    | Sealing strip 10x10          |
| 159      | 1985/10                         | 4030090                         |       | 1.00            | Blindniet 3,2                | Rivet 3,2                   | Blind rivet 3,2              |
| 160      | 1759/103                        | 4079180                         |       | 1.00            | Scheibe 4,3/ 9x0,8           | Rondelle 4,3/ 9x0,8         | Washer 4,3/ 9x0,8            |
| 160a     | 1771/54                         | 4007650                         |       | 1.00            | Fächerscheibe 4,3            | Rondelle étoile 4,3         | Serrated lock washer 4,3     |
| 160b     | 1852/124                        | 4122950                         |       | 1.00            | Gew-Form-L-Schr Torx M4x10   | Vis autoformeuse Torx M4x10 | Thread form screw torx M4x10 |
| 160c     | 55051-4                         | 4054080                         |       | 1.00            | Schild Erdung                | Plaque de mise à terre      | Label earthing               |
| 170      | 8936/62                         | 4031660                         |       | 0.00            | Sicherungs-Klebstoff schwach | Colle pour blocage faible   | Adhesive locking faint       |
| 171      | 8936/1                          | 4017370                         |       | 1.00            | Sicherungs-Klebstoff mittel  | Colle pour blocage moyen    | Adhesive locking middle      |
| 172      | 8806/13                         | 4031920                         |       | 1.00            | Teflon Band                  | Bande de teflon             | Teflon tape                  |
| 173      | 1135/20                         | 4019410                         |       | 1.00            | Zyl-Schr I-6Kt M5x8          | Vis cyl. à trou 6 p. M5x8   | Socket head cap screw M5x8   |





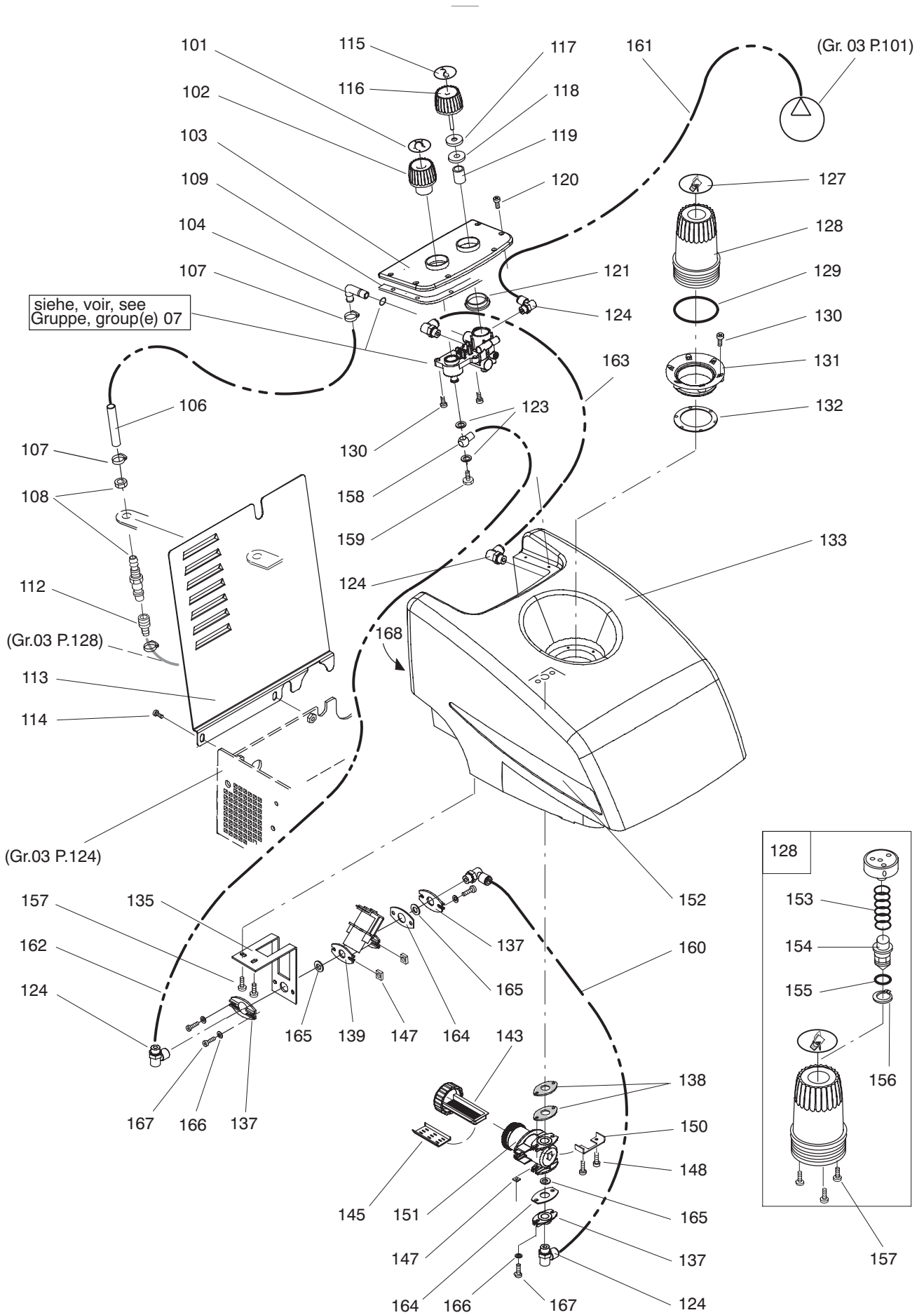
| S003970  |                                 |                                 |           |                 | Baugruppe                      | Base                            | Base                         |
|----------|---------------------------------|---------------------------------|-----------|-----------------|--------------------------------|---------------------------------|------------------------------|
| Pos. No. | Artikelnr. Article No. Item No. | Bestellnr. No. de com Order No. | Model     | Stck. Piè. Qty. | Bezeichnung                    | Designation                     | Description                  |
| 101      | 1723/3                          | 4042420                         |           | 5.00            | Sicherungsmutter M4            | Écrou de sureté M4              | Self-locking nut M4          |
| 102      | 17415-37                        | 4122041                         | 230 V     | 1.00            | Schutzplatte                   | Plaque de garde                 | Protection Plate             |
| 102      | 17415-92                        |                                 | 100,120 V | 1.00            | Schutzwinkel                   | Plaque de Garde                 | Protection Plate             |
| 103      | 56000-67                        | 4094840                         |           | 3.00            | Buchse 4/6x28,5                | Douille 4/6x28,5                | Bush 4/6x28,5                |
| 104      | 1210/154                        | 4062640                         |           | 3.00            | L-Schr KS M4x40                | Vis à tête cyl. bomb. M4x40     | Raised cheese hd.screw M4x40 |
| 105      | 17415-11                        | 4122015                         |           | 1.00            | Motorhaube                     | Coiffe du moteur                | Motor Cap                    |
| 106      | 17415-15                        | 4122022                         |           | 4.00            | Buchse 6,2/10x14               | Douille 6,2/10x14               | Bush 6,2/10x14               |
| 107      | 1010/168                        | 4095280                         |           | 8.00            | 6Kt-Schr M6x25                 | Vis à tête six pans M6x25       | Hexagon screw M6x25          |
| 108      | 1759/103                        | 4079180                         |           | 1.00            | Scheibe 4,3/ 9x0,8             | Rondelle 4,3/ 9x0,8             | Washer 4,3/ 9x0,8            |
| 109      | 1771/54                         | 4007650                         |           | 1.00            | Fächerscheibe 4,3              | Rondelle étoile 4,3             | Serrated lock washer 4,3     |
| 110      | 1852/124                        | 4122950                         |           | 1.00            | Gew-Form-L-Schr Torx M4x10     | Vis autoformeuse Torx M4x10     | Thread form screw torx M4x10 |
| 111      | 17415-24                        | 4122251                         | 7511179   | 1.00            | Motor 230V 50Hz 650W 4,4A      | Moteur 230V/50Hz                | Motor 230V/50Hz              |
| 111      | 17415-24                        | 4122251                         | 7511180   | 1.00            | Motor 230V 50Hz 650W 4,4A      | Moteur 230V/50Hz                | Motor 230V/50Hz              |
| 111      | 17415-24                        | 4122251                         | 7511181   | 1.00            | Motor 230V 50Hz 650W 4,4A      | Moteur 230V/50Hz                | Motor 230V/50Hz              |
| 111      | 17415-26                        | 4122024                         | 7511182   | 1.00            | Motor 120V 60Hz 650W 9A        | Moteur 120V/60Hz                | Motor 120V/60Hz              |
| 111      | 17415-98                        |                                 | 7511183   | 1.00            | Motor                          | Moteur                          | Motor                        |
| 111      | 17415-99                        |                                 | 7511188   | 1.00            | Motor                          | Moteur                          | Motor                        |
| 111      | 17415-24                        | 4122251                         | 7517958   | 1.00            | Motor 230V 50Hz 650W 4,4A      | Moteur 230V/50Hz                | Motor 230V/50Hz              |
| 112      | 14601-18                        | 4111350                         |           | 1.00            | Ventilatorflügel               | Pale d'hélice                   | Fan blade                    |
| 113      | 4588/004                        | 4087040                         |           | 1.00            | Schütz 110-120V/60Hz,110V/50Hz | Contacteur                      | Contacteur                   |
| 114      | 1752/58                         | 4007490                         |           | 4.00            | Scheibe 6,4/18x1,6             | Rondelle 6,4/18x1,6             | Washer 6,4/18x1,6            |
| 115      | 17412-09                        | 4101090                         |           | 4.00            | Bundbuchse 6,2/9,8/20x10       | Douille à épaul. 6,2/9,8/20x10  | Flanged bush 6,2/9,8/20x10   |
| 116      | 2157/007                        | 4117030                         |           | 1.00            | Keilrippenriemen 6 PJ 660      | Courroie poly-V 6 PJ 660        | Poly-V-belt 6 PJ 660         |
| 117      | 2911/11                         | 4008660                         |           | 1.00            | Sicherungsring 12 A            | Anneau de retenue 12 A          | Retaining ring 12 A          |
| 118      | 2201/4                          | 4024770                         |           | 1.00            | Federkeil 4/4x10               | Clavette 4/4x10                 | Key 4/4x10                   |
| 119      | 17413-40                        | 4111450                         |           | 1.00            | Pulley                         | Poulie                          | Pulley                       |
| 120      | 17412-07                        | 4101100                         |           | 4.00            | Scheibe 10/20x5                | Rondelle 10/20x5                | Washer 10/20x5               |
| 121      | 17415-39                        | 4121989                         |           | 2.00            | Lagerzapfen                    | Bouchon de coussinet            | Bearing Neck                 |
| 122      | 17415-14                        | 4121990                         |           | 2.00            | Rillenscheibe                  | Poulie                          | Roller                       |
| 123      | 2530/200                        | 4123126                         |           | 2.00            | Rillenkugellager SS 6000 2RS   | Roulement à billes SS 6000 2RS  | Ball bearing SS 6000 2RS     |
| 124      | 2912/120                        | 4087020                         |           | 2.00            | Sicherungsring 26 J            | Anneau de retenue 26 J          | Retaining ring 26 J          |
| 125      | 1759/13                         | 4007580                         |           | 2.00            | Scheibe 6,4/12x1,6             | Rondelle 6,4/12x1,6             | Washer 6,4/12x1,6            |
| 126      | 1660/6                          | 4007270                         |           | 2.00            | Sechskantmutter M6             | Écrou à six pans M6             | Hexagon nut M6               |
| 127      | 1207/206                        | 4060530                         |           | 5.00            | L-Schr KS M5x10                | Vis à tête cyl. bomb. M5x10     | Raised cheese hd.screw M5x10 |
| 128      | 14600-03                        | 4126796                         |           | 1.00            | Support                        | Support                         | Support                      |
| 129      | 4802/350                        | 4108210                         | 7511179   | 1.00            | Anlaufkondensator 80µF         | Condensateur de démarrage 80µF  | Start capacitor 80µF         |
| 129      | 4802/350                        | 4108210                         | 7511180   | 1.00            | Anlaufkondensator 80µF         | Condensateur de démarrage 80µF  | Start capacitor 80µF         |
| 129      | 4802/350                        | 4108210                         | 7511181   | 1.00            | Anlaufkondensator 80µF         | Condensateur de démarrage 80µF  | Start capacitor 80µF         |
| 129      | 4802/355                        | 4122018                         | 7511182   | 1.00            | Anlaufkondensator 250µF        | Condensateur de démarrage 250µF | Start capacitor 250µF        |
| 129      | 4802/354                        | 4118050                         | 7511183   | 1.00            | Anlaufkondensator 300µF        | Condensateur de démarrage 300µF | Start capacitor 300µF        |
| 129      | 4802/354                        | 4118050                         | 7511188   | 1.00            | Anlaufkondensator 300µF        | Condensateur de démarrage 300µF | Start capacitor 300µF        |
| 129      | 4802/350                        | 4108210                         | 7517958   | 1.00            | Anlaufkondensator 80µF         | Condensateur de démarrage 80µF  | Start capacitor 80µF         |
| 130      | 4586/114                        | 4117820                         | 7511179   | 1.00            | Relais 230V 50/60Hz            | Relais 230V 50/60Hz             | Relay 230V 50/60Hz           |
| 130      | 4586/114                        | 4117820                         | 7511180   | 1.00            | Relais 230V 50/60Hz            | Relais 230V 50/60Hz             | Relay 230V 50/60Hz           |
| 130      | 4586/114                        | 4117820                         | 7511181   | 1.00            | Relais 230V 50/60Hz            | Relais 230V 50/60Hz             | Relay 230V 50/60Hz           |
| 130      | 4586/115                        | 4117480                         | 7511182   | 1.00            | Relais 120V 50/60Hz            | Relais 120V 50/60Hz             | Relay 120V 50/60Hz           |
| 130      | 4586/115                        | 4117480                         | 7511183   | 1.00            | Relais 120V 50/60Hz            | Relais 120V 50/60Hz             | Relay 120V 50/60Hz           |
| 130      | 4586/115                        | 4117480                         | 7511188   | 1.00            | Relais 120V 50/60Hz            | Relais 120V 50/60Hz             | Relay 120V 50/60Hz           |
| 130      | 4586/114                        | 4117820                         | 7517958   | 1.00            | Relais 230V 50/60Hz            | Relais 230V 50/60Hz             | Relay 230V 50/60Hz           |
| 131      | 5100/016                        | 4122027                         |           | 2.00            | Distanzhalter M5x50            | Entretoise M5x50                | Distance piece M5x50         |

| S003970  |                                 |                                 |         |                 | Baugruppe                 | Base                          | Base                         |
|----------|---------------------------------|---------------------------------|---------|-----------------|---------------------------|-------------------------------|------------------------------|
| Pos. No. | Artikelnr. Article No. Item No. | Bestellnr. No. de com Order No. | Model   | Stck. Piè. Qty. | Bezeichnung               | Designation                   | Description                  |
| 132      | 4212/114                        | 4060970                         |         | 1.00            | Kabelbride                | Bride pour câble              | Cable Clamp                  |
| 133      | 1759/12                         | 4022860                         |         | 1.00            | Scheibe 5,3/10x1          | Rondelle 5,3/10x1             | Washer 5,3/10x1              |
| 134      | 1660/5                          | 4023860                         |         | 1.00            | Sechskantmutter M5        | Écrou à six pans M5           | Hexagon nut M5               |
| 135      | 1771/55                         | 4007660                         |         | 2.00            | Fächerscheibe 5,1         | Rondelle étoile 5,3           | Serrated lock washer 5,1     |
| 136      | 1010/45                         | 4052550                         |         | 1.00            | 6Kt-Schr M5x14            | Vis à tête six pans M5x14     | Hexagon screw M5x14          |
| 137      | 1677/3                          | 4007290                         |         | 1.00            | Hutmutter M5              | Écrou borgne haut M5          | Cap nut M5                   |
| 138      | 4808/186                        | 4121991                         | 7511179 | 1.00            | Betriebskondensator 16µF  | Condensateur de service 16µF  | Run capacitor 16µF           |
| 138      | 4808/186                        | 4121991                         | 7511180 | 1.00            | Betriebskondensator 16µF  | Condensateur de service 16µF  | Run capacitor 16µF           |
| 138      | 4808/186                        | 4121991                         | 7511181 | 1.00            | Betriebskondensator 16µF  | Condensateur de service 16µF  | Run capacitor 16µF           |
| 138      | 4808/185                        | 4123187                         | 7511182 | 1.00            | Betriebskondensator 50µF  | Condensateur de service 50µF  | Run capacitor 50µF           |
| 138      | 4808/191                        |                                 | 7511183 | 1.00            | Betriebskondensator 80 uF | Condensateur de service 80 uF | Run Capacitor 80 uF          |
| 138      | 4808/190                        |                                 | 7511188 | 1.00            | Betriebskondensator 60 uF | Condensateur de service 60 uF | Run Capacitor 60 uF          |
| 138      | 4808/186                        | 4121991                         | 7517958 | 1.00            | Betriebskondensator 16µF  | Condensateur de service 16µF  | Run capacitor 16µF           |
| 139      | 1207/11                         | 4019650                         |         | 2.00            | L-Schr KS M4x10           | Vis à tête cyl. bomb. M4x10   | Raised cheese hd.screw M4x10 |
| 140      | 8861/100                        | 4066130                         |         | 0.09            | Kantenschutzprofil 0,5-1  | Profil de protection 0,5-1    | Bumper profile 0,5-1         |
| 141      | 8401/181                        | 4107380                         | 0,045 M | 1.00            | Dichtungsband 10x10       | Bande d'étanchéité 10x10      | Sealing strip 10x10          |
|          | -                               |                                 |         |                 | -                         | -                             | -                            |
|          | -                               |                                 |         |                 | -                         | -                             | -                            |
|          | 4215/116                        | 4065440                         |         | 0.00            | Kabelbinder 100           | Bande à lier les câbles 100   | Cable tie 100                |
|          | 4215/117                        | 4012650                         |         |                 | Kabelbinder 290           | Bande à lier les câbles 290   | Cable tie 290                |
|          | 4215/3                          | 4023260                         |         |                 | Kabelbinder 200           | Bande à lier les câbles 200   | Cable tie 200                |



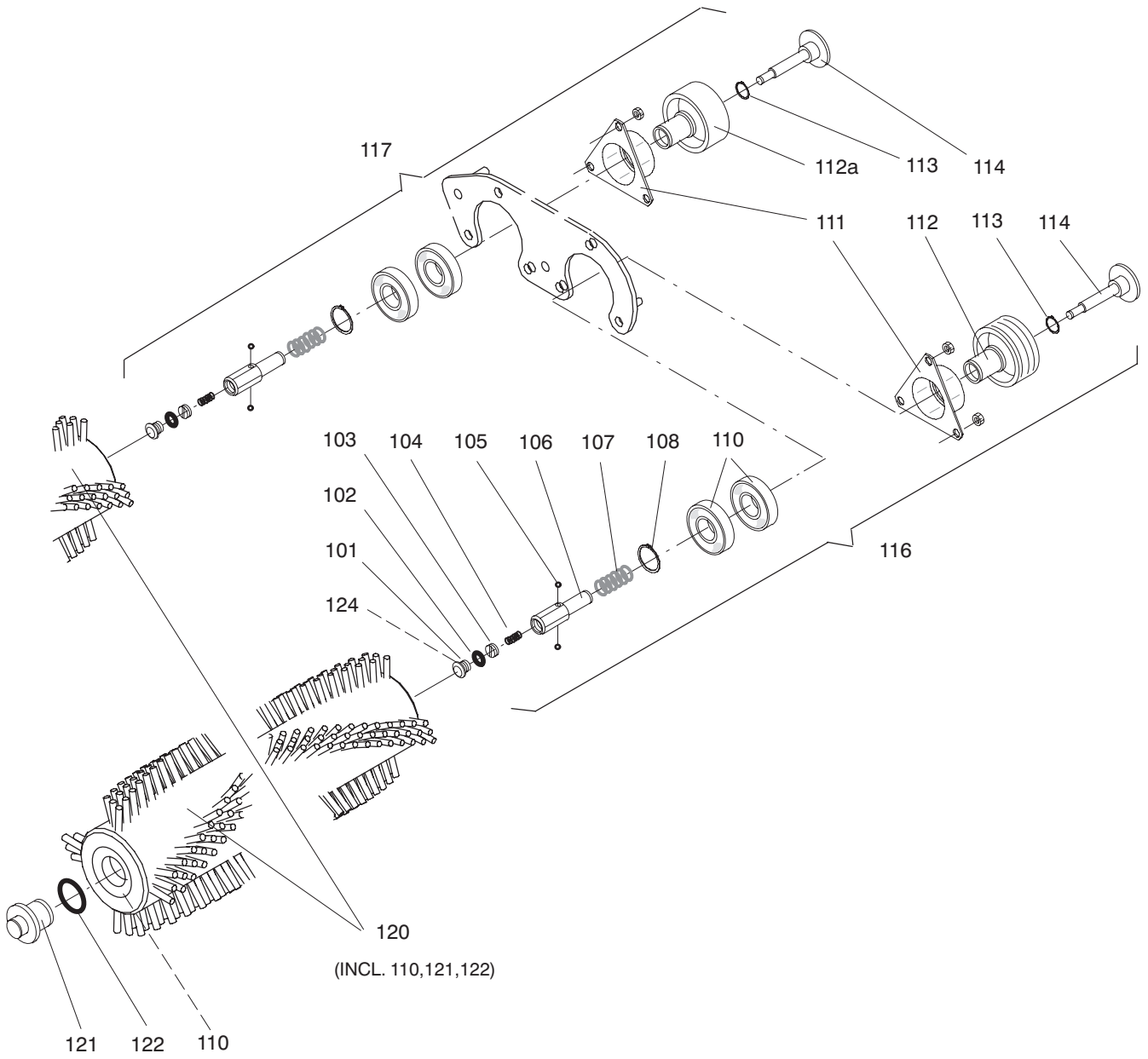
| S003987  |                                 |                                 |                    |                             | Tank                           | Réservoir                     | Tank                         |
|----------|---------------------------------|---------------------------------|--------------------|-----------------------------|--------------------------------|-------------------------------|------------------------------|
| Pos. No. | Artikelnr. Article No. Item No. | Bestellnr. No. de com Order No. | Model              | Stck. Piè. Qty.             | Bezeichnung                    | Designation                   | Description                  |
| 101      | 17415-88                        | 4122313                         | 230 V<br>100,120 V | 1.00                        | Symboldeckel Schaum            | Plaquette de symbole          | Label With Symbol            |
| 102      | 56151-20                        | 4109210                         |                    | 1.00                        | Schaltgriff                    | Bouton régulateur             | Dosing Knob                  |
| 103      | 17415-09                        | 4122042                         |                    | 1.00                        | Tableau                        | Tableau                       | Control board                |
| 104      | 56151-27                        | 4108660                         |                    | 1.00                        | Winkelnippel                   | Raccord coudé                 | Angled Nipple                |
| 106      | 8820/10                         | 4028460                         |                    | 0.06                        | Schlauch m Draht 10/16 PVC     | Tuyau spirale 10/16 PVC       | Hose with wire 10/16 PVC     |
| 107      | 2175/184                        | 4122308                         |                    | 3.00                        | Schlauchklemme 14,5-16         | Bride 14,5-16                 | Hose clamp 14,5-16           |
| 108      | 2719/020                        | 4108640                         |                    | 1.00                        | Schottverschraubung            | Union double                  | Connector                    |
| 109      | 17415-93                        | 4122314                         |                    | 1.00                        | Dichtung                       | Joint d'étanchéité            | Gasket                       |
| 112      | 2783/100                        | 4108630                         |                    | 1.00                        | Verschlusskupplung             | Raccord rapide                | Quick Socket                 |
| 113      | 17415-10                        | 4121965                         |                    | 1.00                        | Rückwand                       | Couvercle                     | Cover                        |
| 114      | 1207/206                        | 4060530                         |                    | 2.00                        | L-Schr KS M5x10                | Vis à tête cyl. bomb. M5x10   | Raised cheese hd.screw M5x10 |
| 115      | 56151-32                        | 4109240                         |                    | 1.00                        | Symboldeckel                   | Plaquette de symbole          | Label With Symbol            |
| 116      | 56151-19                        | 4109250                         |                    | 1.00                        | Drehknopf                      | Bouton                        | Knob                         |
| 117      | 56151-28                        | 4109230                         |                    | 1.00                        | Dichtungsbuchse                | Douille                       | Bush                         |
| 118      | 16290-44                        | 4018580                         |                    | 1.00                        | Dichtung                       | Joint d'étanchéité            | Gasket                       |
| 119      | 16290-45                        | 4018590                         |                    | 1.00                        | Sinterbuchse 16/19,5x26        | Douille frittée 16/19,5x26    | Sinter bush 16/19,5x26       |
| 120      | 1840/108                        | 4121992                         | 6.00               | PT-Schr LK KS KA50x16       | Vis pour plastique KA50x16     | Screw for plastic KA50x16     |                              |
| 121      | 16290-27                        | 4018470                         | 1.00               | Dichtung                    | Joint                          | Gasket                        |                              |
| 122      | 1840/017                        | 4101980                         | 2.00               | PT-Schr LK KS KA50x20       | Vis pour plastique KA50x20     | Screw for plastic KA50x20     |                              |
| 123      | 16290-58                        | 4018680                         | 2.00               | Dichtung                    | Joint                          | Gasket                        |                              |
| 124      | 2775/9                          | 4020020                         | 6.00               | Winkelverschraubung G 1/4"  | Raccord équerre G 1/4"         | Angle Socket G 1/4"           |                              |
| 127      | 17415-66                        | 4122023                         | 1.00               | Symboldeckel Tank           | Plaquette de symbole           | Label With Symbol             |                              |
| 128      | 17415-64                        | 4121979                         | 1.00               | Sicherheitsventil           | Soupape de sûreté              | Safety Valve                  |                              |
| 129      | 3002/93                         | 4026920                         | 1.00               | O-Ring 60x4                 | Joint-O 60x4                   | O-ring 60x4                   |                              |
| 130      | 1840/109                        | 4122947                         | 6.00               | Delta PT-Schr LK Torx 50x20 | Vis Delta PT Torx 50x20        | Screw delta PT Torx 50x20     |                              |
| 131      | 17415-19                        | 4121993                         | 1.00               | Flansch                     | Flasque                        | Flange                        |                              |
| 132      | 56150-18                        | 4106670                         | 1.00               | Dichtring 75/97,5x2         | Anneau d'étanchéité 75/97,5x2  | Sealing ring 75/97,5x2        |                              |
| 133      | 17415-07                        | 4121260                         | 1.00               | Tank                        | Réservoir                      | Tank                          |                              |
| 135      | 17415-33                        | 4122033                         | 1.00               | Winkel                      | Équerre                        | Angle bracket                 |                              |
| 137      | 56150-17                        | 4100950                         | 3.00               | Flansch                     | Flasque                        | Flange                        |                              |
| 138      | 17505-02                        | 4075270                         | 2.00               | Dichtung                    | Joint d'étanchéité             | Gasket                        |                              |
| 139      | 17609-34                        | 4127922                         | 1.00               | Mag-Ventil 220-240V 50/60Hz | Soupape magnétique 220-240V    | Magnetic Valve 220-240V/50,60 |                              |
| 139      | 17609-35                        | 4127951                         | 1.00               | Mag-Ventil 100-120V 50/60Hz | Soupape magnét. 100-120V/50,60 | Magnetic Valve 100-120V/50,60 |                              |
| 143      | 17421-98                        | 4130411                         | 1.00               | Filter Set                  | Filtre Kit                     | Filter set                    |                              |
| 145      | 56001-67                        | 4104790                         | 1.00               | Filter                      | Filtre                         | Filter                        |                              |
| 147      | 1692/108                        | 4077900                         | 6.00               | Vierkantmutter M4           | Écrou carrés M4                | Square nut M4                 |                              |
| 148      | 1840/013                        | 4083570                         | 2.00               | PT-Schr LK KS KA40x18       | Vis pour plastique KA40x18     | Screw for plastic KA40x18     |                              |
| 150      | 17412-67                        | 4105660                         | 1.00               | Halter                      | Fixation                       | Holder                        |                              |
| 151      | 17560-02                        | 4078590                         | 1.00               | Filtergehäuse               | Bâti de filtre                 | Filter housing                |                              |
| 152      | 17415-20                        | 4121250                         | 1.00               | Schriftzug swift 35         | Autocollant swift 35           | Decorative label swift 35     |                              |
| 153      | 2803/117                        | 4122034                         | 1.00               | Druckfeder                  | Ressort de pression            | Pressure spring               |                              |
| 154      | 17415-22                        | 4122016                         | 1.00               | Ventilkegel                 | Cône de soupape                | Valve Cone                    |                              |
| 155      | 3002/439                        | 4064710                         | 1.00               | O-Ring 10,3x2,4             | Joint-O 10,3x2,4               | O-ring 10,3x2,4               |                              |
| 156      | 2910/115                        | 4122045                         | 1.00               | Sicherungsring 13 A         | Anneau de retenue 13 A         | Retaining ring 13 A           |                              |
| 157      | 1840/102                        | 4078180                         | 5.00               | PT-Schr LK KS KA40x10       | Vis pour plastique KA40x10     | Screw for plastic KA40x10     |                              |
| 158      | 2712/9                          | 4019980                         | 1.00               | Ringschlauchnippel 8/G1/4"  | Raccord équerre 1/4"G          | Angled Nipple G1/4"           |                              |
| 159      | 16290-41                        | 4018550                         | 1.00               | Nippelschraube              | Vis du nippel                  | Nipple Screw                  |                              |
| 160      | 8722/20                         | 4026970                         | 0.34               | Schlauch 5/8 PA             | Tuyau 5/8 PA                   | Hose 5/8 PA                   |                              |
| 161      | 8722/20                         | 4026970                         | 0.24               | Schlauch 5/8 PA             | Tuyau 5/8 PA                   | Hose 5/8 PA                   |                              |
| 162      | 8722/20                         | 4026970                         | 0.34               | Schlauch 5/8 PA             | Tuyau 5/8 PA                   | Hose 5/8 PA                   |                              |

| S003987  |                                 |                                 |       |                 | Tank               | Réservoir                   | Tank                         |
|----------|---------------------------------|---------------------------------|-------|-----------------|--------------------|-----------------------------|------------------------------|
| Pos. No. | Artikelnr. Article No. Item No. | Bestellnr. No. de com Order No. | Model | Stck. Piè. Qty. | Bezeichnung        | Designation                 | Description                  |
| 163      | 8722/20                         | 4026970                         |       | 0.24            | Schlauch 5/8 PA    | Tuyau 5/8 PA                | Hose 5/8 PA                  |
| 164      | 17506-74                        | 4121640                         |       | 2.00            | Distanzblech       | Plaque intermédiaire        | Intermediate Plate           |
| 165      | 17506-75                        | 4121630                         |       | 3.00            | Dichtring 12/22x2  | Anneau d'étanchéité 12/22x2 | Sealing ring 12/22x2         |
| 166      | 1759/112                        | 4103270                         |       | 6.00            | Scheibe 4,3/12x1   | Rondelle 4,3/12x1           | Washer 4,3/12x1              |
| 167      | 1207/14                         | 4019660                         |       | 6.00            | L-Schr KS M4x16    | Vis à tête cyl. bomb. M4x16 | Raised cheese hd.screw M4x16 |
| 168      | 8401/180                        | 4094580                         | 2 x   | 0.22            | Dichtungsband 10x5 | Bande d'étanchéité 10x5     | Sealing strip 10x5           |



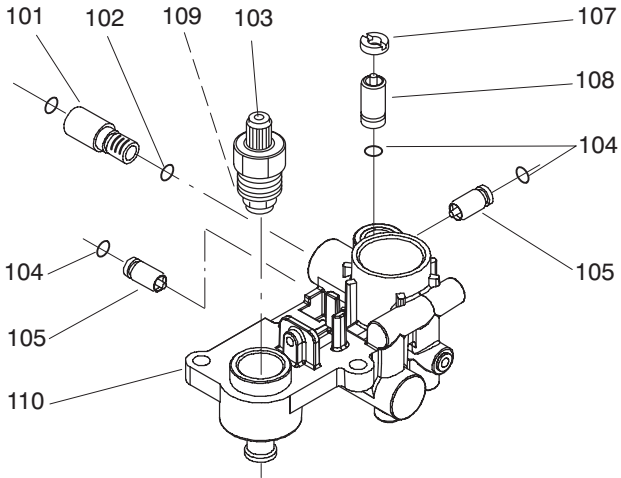
| S003998  |                                 |                                 |       |                 | Bürste                        | Brosse                         | Brush                    |
|----------|---------------------------------|---------------------------------|-------|-----------------|-------------------------------|--------------------------------|--------------------------|
| Pos. No. | Artikelnr. Article No. Item No. | Bestellnr. No. de com Order No. | Model | Stck. Piè. Qty. | Bezeichnung                   | Designation                    | Description              |
| 101      | 17412-22                        | 4102430                         |       | 2.00            | Zentrierkonus                 | Cone de centrage               | Centering Cone           |
| 102      | 3002/102                        | 4081600                         |       | 2.00            | O-Ring 5x1                    | Joint-O 5x1                    | O-ring 5x1               |
| 103      | 17412-23                        | 4103260                         |       | 2.00            | Mutter M4 spez                | Écrou M4 spec                  | Nut M4 spec              |
| 104      | 2804/108                        | 4103250                         |       | 2.00            | Druckfeder                    | Ressort de pression            | Pressure spring          |
| 105      | 3037/4                          | 4009120                         |       | 4.00            | Kugel 4                       | Bille 4                        | Ball 4                   |
| 106      | 17411-42                        | 4102250                         |       | 2.00            | Profilwelle                   | Arbre                          | Shaft                    |
| 107      | 2804/107                        | 4101030                         |       | 2.00            | Druckfeder                    | Ressort de pression            | Pressure spring          |
| 108      | 2911/17                         | 4043330                         |       | 2.00            | Sicherungsring 17 A           | Anneau de retenue 17 A         | Retaining ring 17 A      |
| 110      | 2530/84                         | 4031030                         |       | 4.00            | Rillenkugellager SS 6003 2RS  | Roulement à billes SS 6003 2RS | Ball bearing SS 6003 2RS |
| 111      | 17416-03                        | 4122827                         |       | 2.00            | Flansch                       | Flasque                        | Flange                   |
| 112      | 17411-52                        | 4101760                         |       | 1.00            | Profilrad                     | Roue                           | Wheel                    |
| 112a     | 17415-41                        | 4121975                         |       | 1.00            | Riemenscheibe                 | Poulie                         | Pulley                   |
| 113      | 2913/149                        | 4026220                         |       | 2.00            | Sicherungsscheibe 7           | Anneau de retenue 7            | Retaining washer 7       |
| 114      | 17411-45                        | 4102270                         |       | 2.00            | Pilzgriff                     | Bouton                         | Knob                     |
| 116      | 17411-34                        | 4104820                         |       | 1.00            | Bürstenkupplung Set           | Kit accouplement de brosse     | Brush coupling set       |
| 117      | 17415-46                        | 4121830                         |       | 1.00            | Bürstenkupplung Set           | Kit accouplement de brosse     | Brush coupling set       |
| 120      | 17415-87                        | 4118220                         |       | 2.00            | Shampooierbürste Weiss kpl    | Brosse shampooiser blanc       | Shampooing Brush White   |
| 121      | 17411-44                        | 4099400                         |       | 1.00            | Bundbolzen                    | Goujon                         | Bolt                     |
| 122      | 3002/14                         | 4008960                         |       | 1.00            | O-Ring 14x1,78                | Joint-O 14x1,78                | O-ring 14x1,78           |
| 124      | 8938/2                          | 4050800                         |       | 0.00            | Sicherungs-Klebstoff hochfest | Colle pour blocage fort        | Adhesive locking strong  |



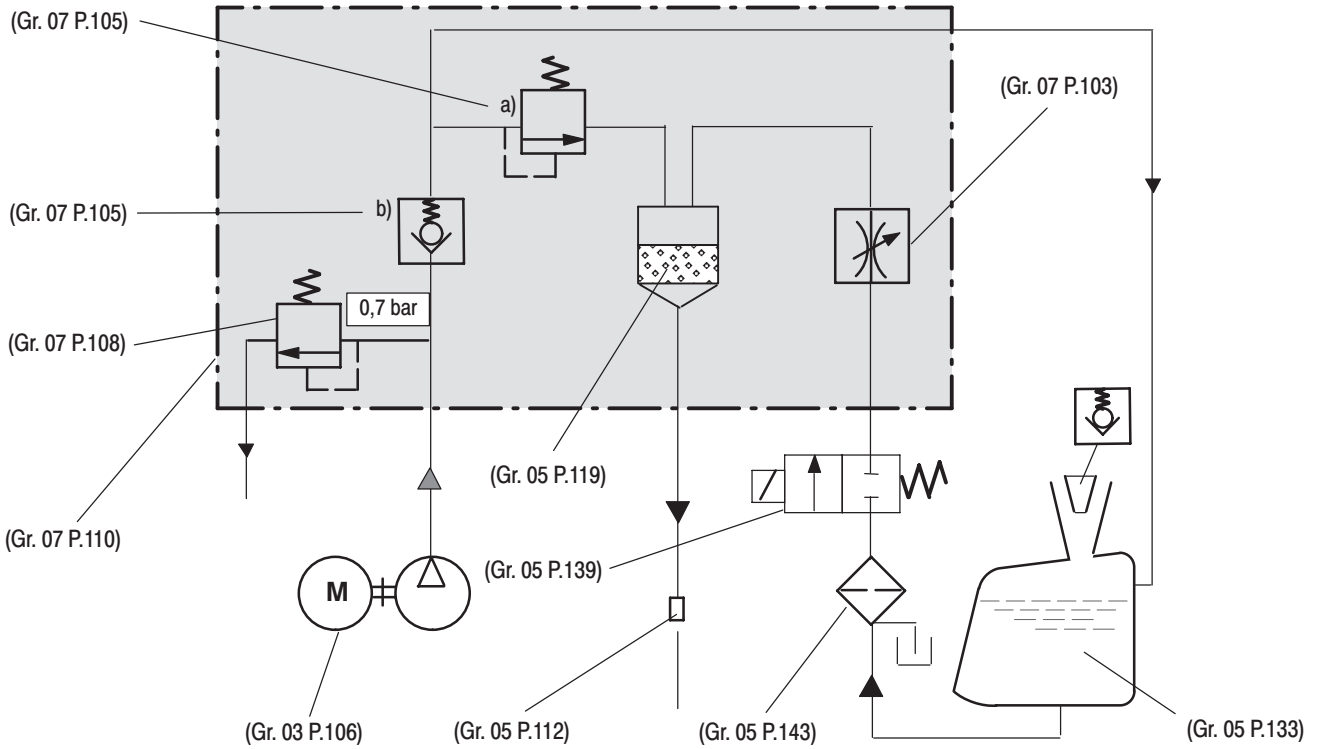
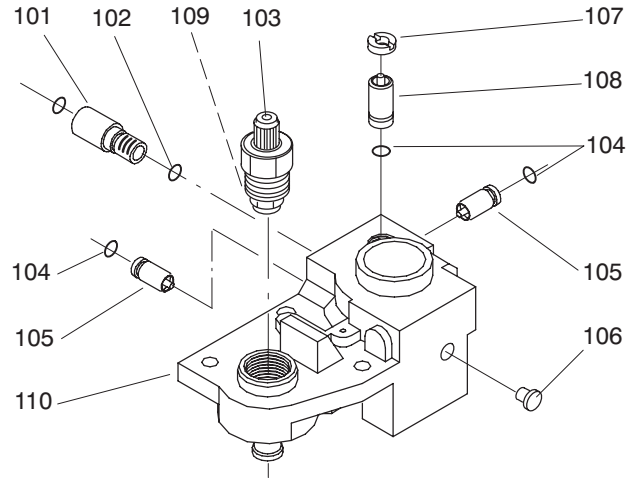


| S003990  |                                 |                                 |       |                 | Ventilblock                   | Bloc de soupape    | Valve unit         |
|----------|---------------------------------|---------------------------------|-------|-----------------|-------------------------------|--------------------|--------------------|
| Pos. No. | Artikelnr. Article No. Item No. | Bestellnr. No. de com Order No. | Model | Stck. Piè. Qty. | Bezeichnung                   | Designation        | Description        |
| 101      | 17415-38                        | 4122043                         |       | 1.00            | Nippel M12                    | Raccord M 12       | Nipple M 12        |
| 102      | 3002/13                         | 4008950                         |       | 2.00            | O-Ring 10x2                   | Joint-O 10x2       | O-ring 10x2        |
| 103      | 16290-53                        | 4018660                         |       | 1.00            | Mengenregelventil             | Soupape de debit   | Flow Control Valve |
| 104      | 3002/19                         | 4031350                         |       | 3.00            | O-Ring 7x2                    | Joint-O 7x2        | O-ring 7x2         |
| 105      | 16290-92                        | 4033040                         |       | 2.00            | Rückschlagventil              | Soupape de retenue | Stop Valve         |
| 106      | 3061/8                          | 4043900                         |       | 5.00            | Schutzstopfen 6,2             | Bouchon 6,2        | Plug 6,2           |
| 107      | 16290-49                        | 4018630                         |       | 1.00            | Verschluss-Schr Sz G1/4" Spez | Écrou de fermeture | Locking Nut        |
| 108      | 16290-91                        | 4033030                         |       | 1.00            | Überdruckventil               | Soupape de sûreté  | Safety Valve       |
| 109      | 8806/13                         | 4031920                         |       | 0.00            | Teflon Band                   | Bande de teflon    | Teflon tape        |
| 110      | 56151-72                        | 4117500                         |       | 1.00            | Ventilblock                   | Bloc de soupape    | Valve Unit         |

**Ausf./Exe. II**  
 ~ dat. 2012/09 →



**Ausf./Exe. I**  
 ~ dat. →2012/09



05/119 SINTERKOERPER  
 05/133 TANK  
 03/106 KOMPRESSOR

05/143 FILTER  
 05/139 MAGNETVENTIL

07/103 MENGENREGELVENTIL  
 07/108 UEBERDRUCKVENTIL

07/110 VENTILBLOCK  
 07/105 a) DIFFERENZDRUCKVENTIL  
 07/105 b) RUECKSCHLAGVENTIL

DOUILLE FRITEE  
 RESERVOIR  
 COMPRESSEUR

FILTRE  
 SOUPAPE MAGNETIQUE

SOUPAPE DE REGLAGE DU DEBIT  
 SOUPAPE DE SURETE

BLOC DE SOUPAPE  
 SOUPAPE DIFFERENT. DE PRESSURE  
 SOUPAPE DE RETENUE

SINTER HEAD  
 TANK  
 COMPRESSOR

FILTER  
 MAGNETIC VALVE

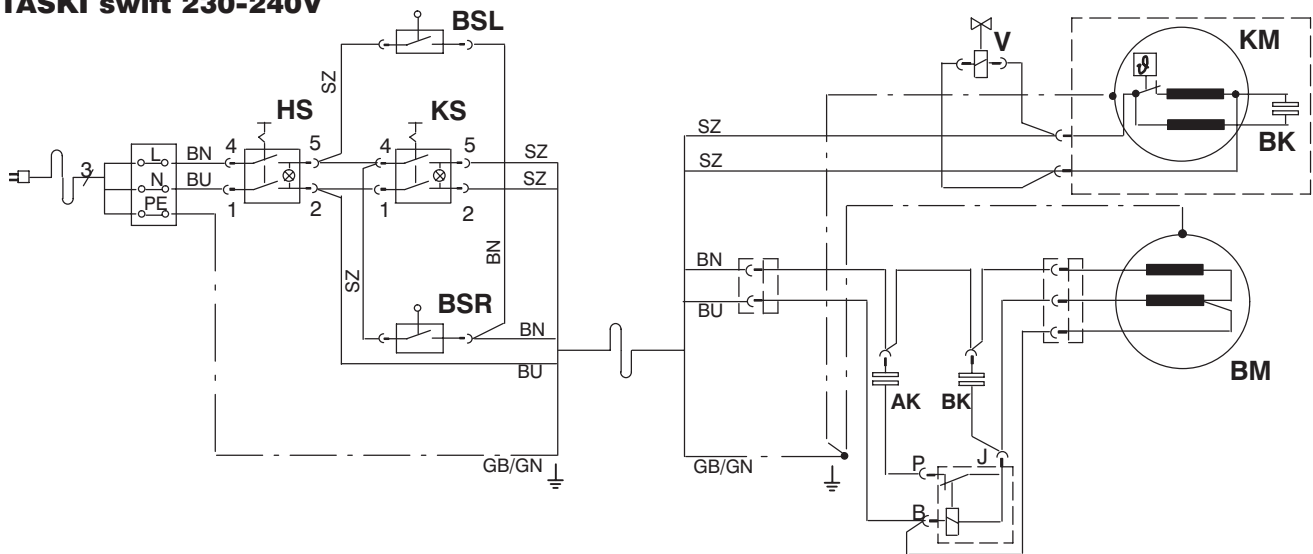
FLOW GOVERNOR  
 SAFETY VALVE

VALVE UNIT  
 PRESSURE REDUCING VALVE  
 STOP VALVE

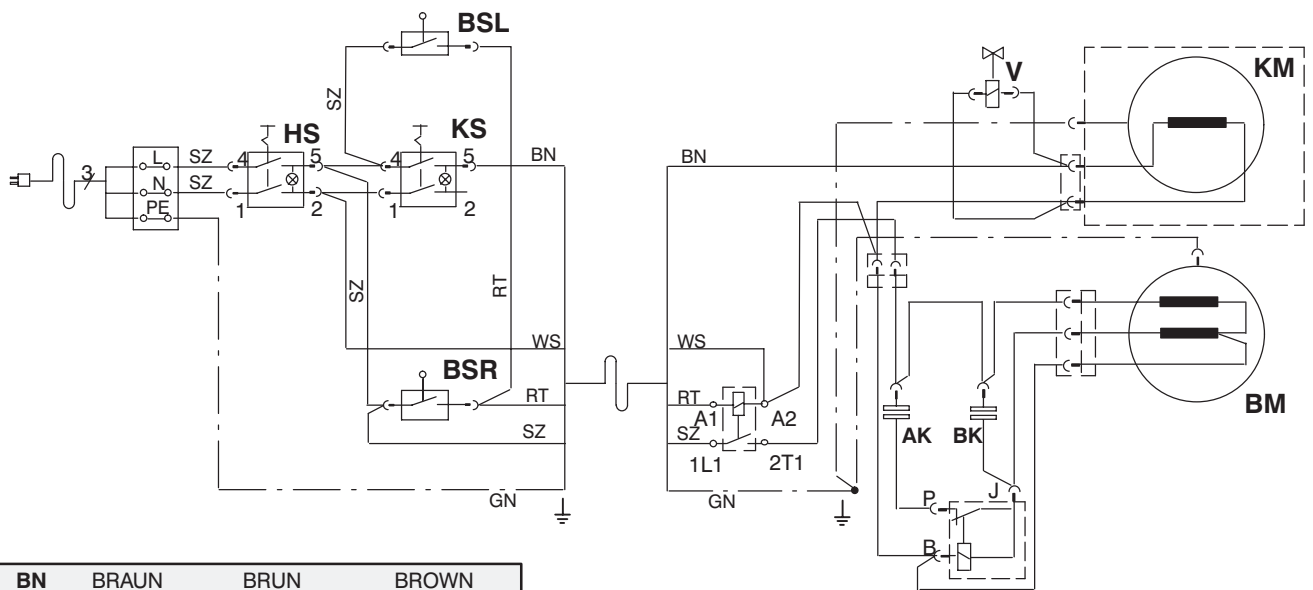


|                   |                              |                                      |                            |
|-------------------|------------------------------|--------------------------------------|----------------------------|
| <b>BM</b>         | Bürstenmotor                 | Moteur – Broses –                    | Motor – Brushes            |
| <b>KM</b>         | Kompressor                   | Compresseur                          | Compressor                 |
| <b>HS</b>         | Hauptschalter                | Interrupteur principal               | Main switch                |
| <b>KS</b>         | Schalter – Kompressor –      | Interrupteur – Compresseur –         | Switch – Compressor –      |
| <b>BS (L) (R)</b> | Schalthebel – Bürstenmotor – | Levier de commande – Moteur Broses – | Hand lever – Brush motor – |

**TASKI swift 230-240V**



**TASKI swift 100,120V**



|           |         |       |        |
|-----------|---------|-------|--------|
| <b>BN</b> | BRAUN   | BRUN  | BROWN  |
| <b>BU</b> | BLAU    | BLEU  | BLUE   |
| <b>GB</b> | GELB    | JAUNE | YELLOW |
| <b>GN</b> | GRUEN   | VERT  | GREEN  |
| <b>RT</b> | ROT     | ROUGE | RED    |
| <b>SZ</b> | SCHWARZ | NOIR  | BLACK  |
| <b>WS</b> | WEISS   | BLANC | WHITE  |