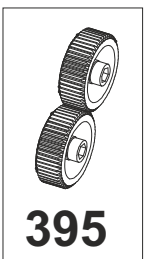
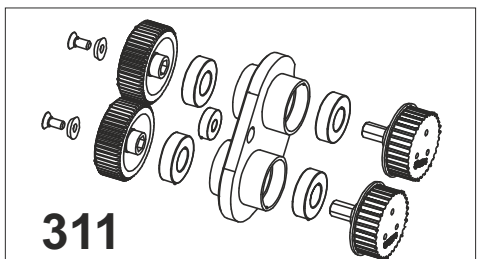
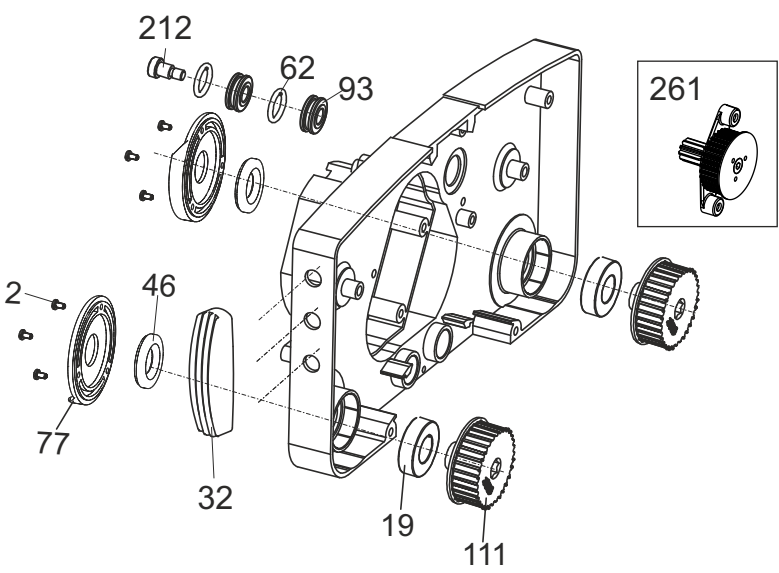
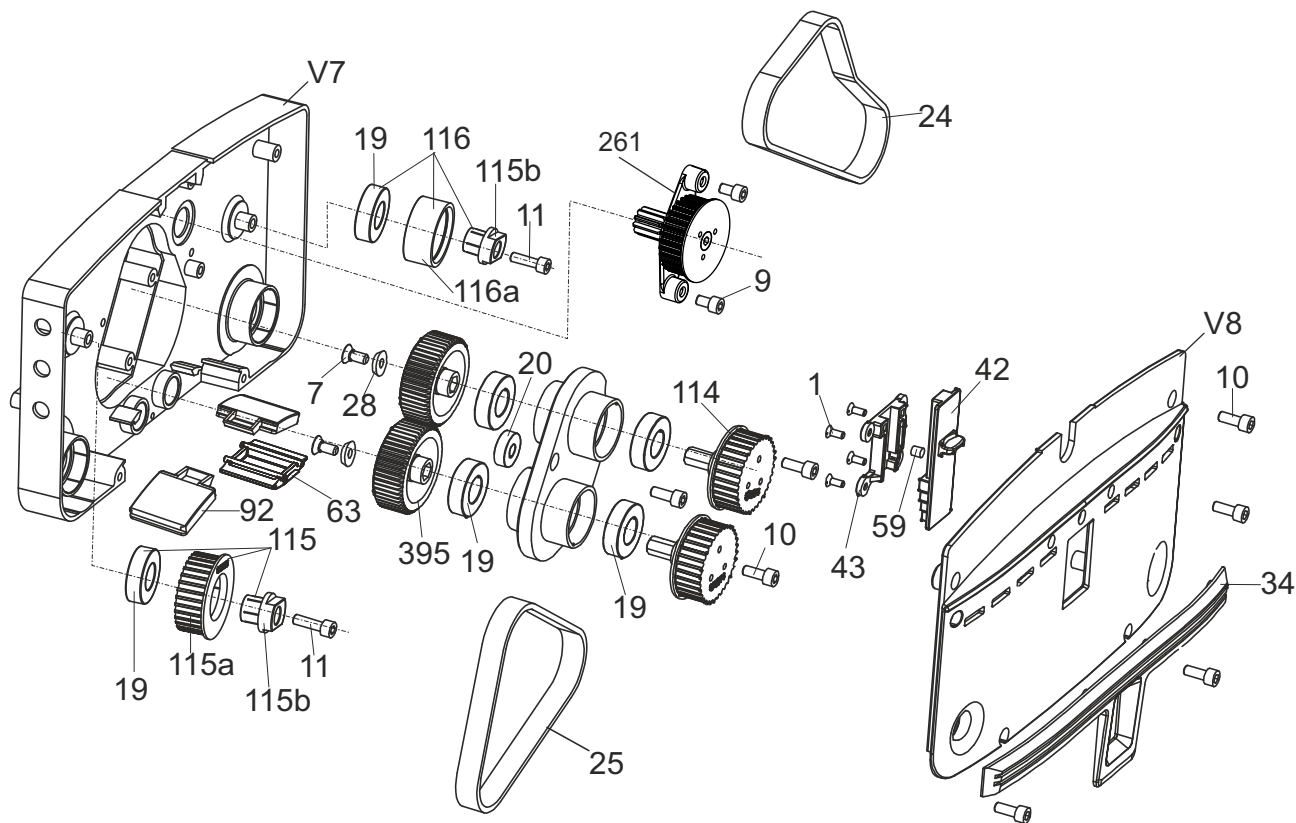


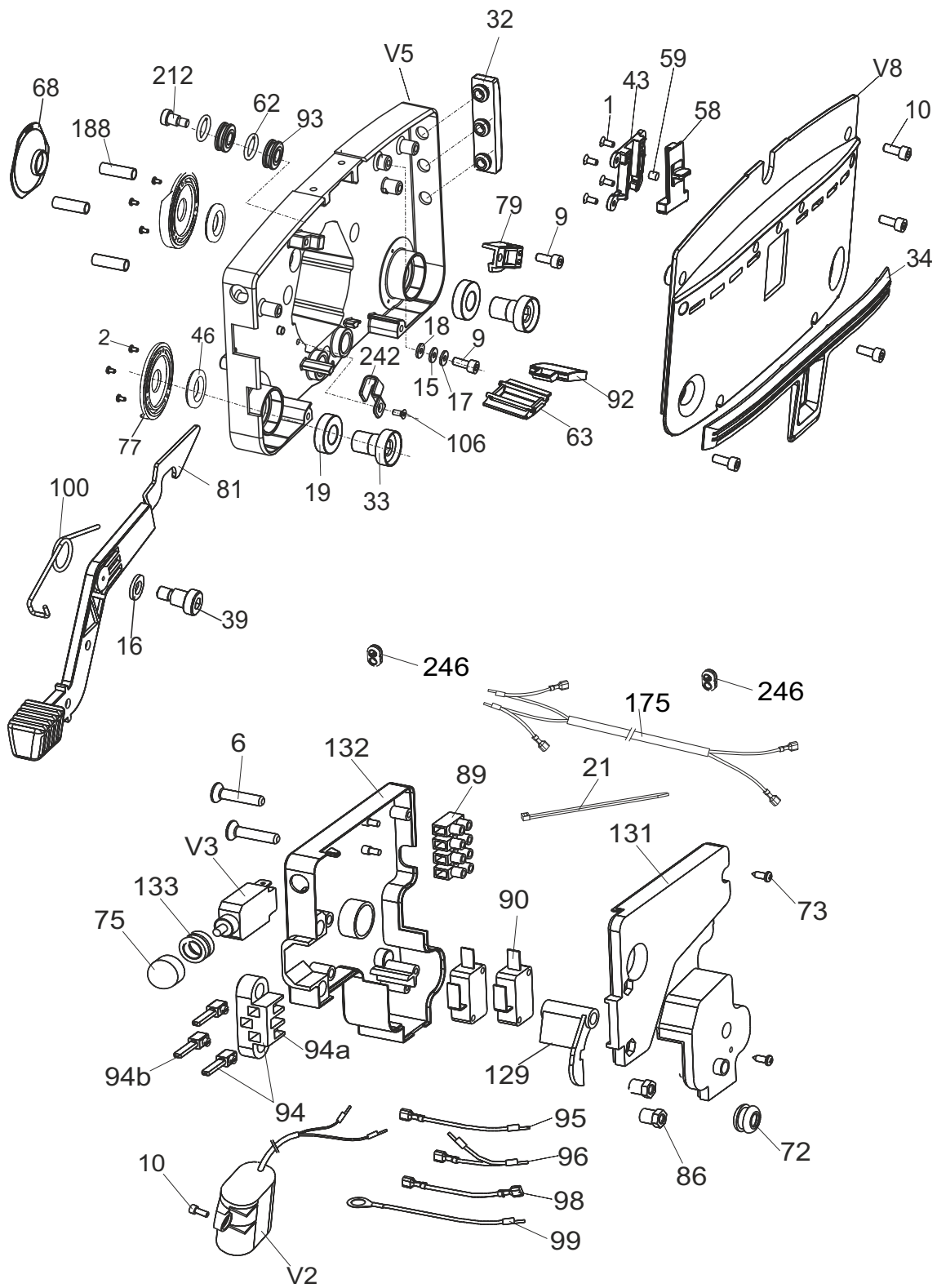
Housing-Drive Side



NOTE: Item no 9 is not included in assy 261.

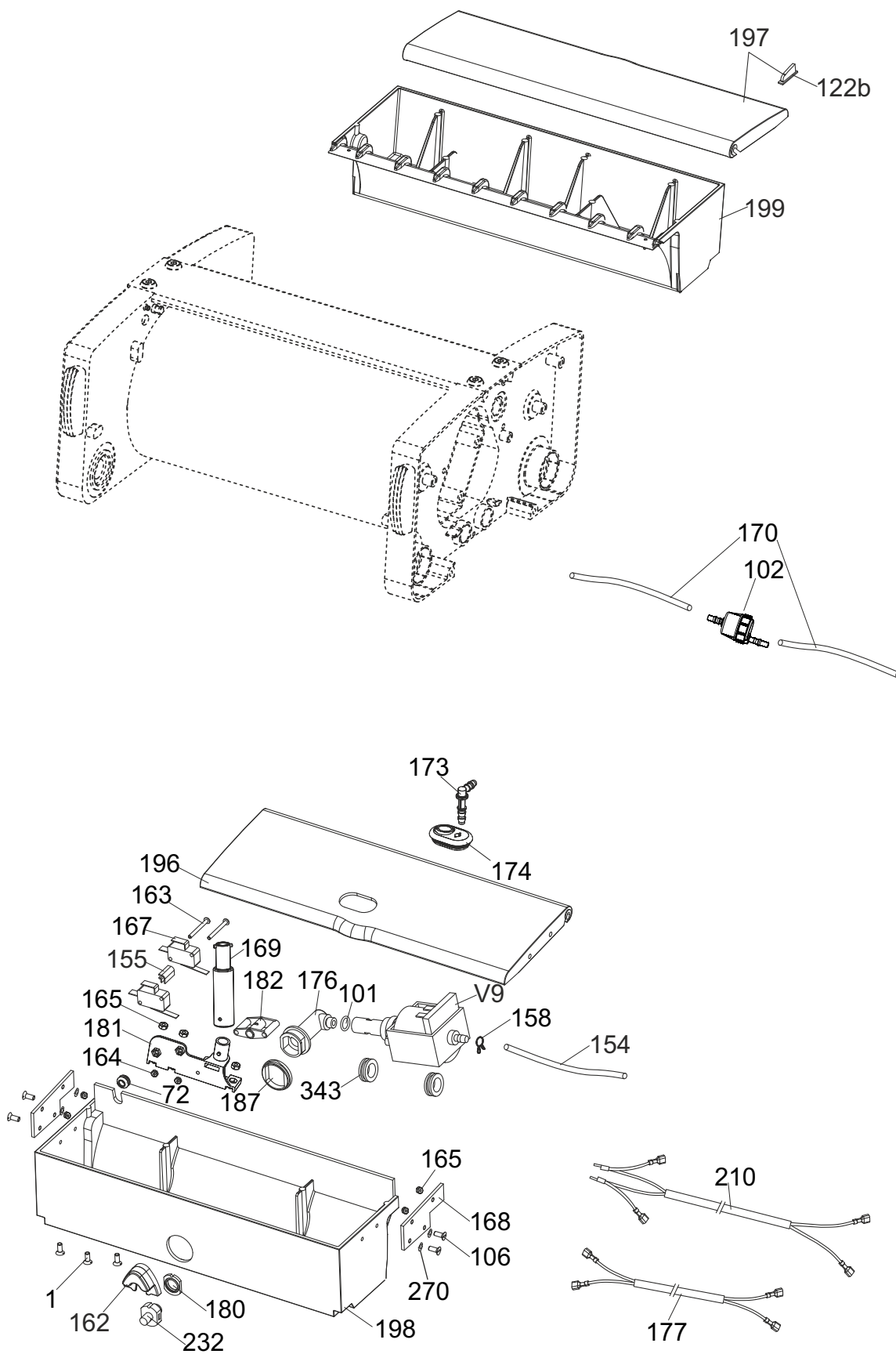
SL.NO	PART NO	DESCRIPTION	SIZE	QTY
1	90-0258-0000	CSK SCREW	M4x10	4
2	90-0001-0000	CRPH SCREW	M3x6	6
7	90-0143-0000	CSK SCREW	M6x14	2
9	90-0293-0000	ALLEN SCREW	M6x10	2
10	90-0144-0000	ALLEN SCREW	M6x16	7
11	90-0005-0000	ALLEN SCREW	M6x20	2
19	02-3847-0000	BEARING	6003 2RS	8
20	90-0598-0000	BUSH SHAFT MOTOR		1
24	90-0011-0000	BELT	500 5 M	1
25	90-0012-0000	BELT	425 5 M	1
28	90-0152-0000	WASHER		2
32	90-0154-0000	BUMPER		1
34	90-0156-0000	BUMPER		1
42	90-0024-0000	BRUSH SLIDER		1
43	90-0025-0000	SLIDER HOUSING		1
46	90-0027-0000	SEAL		2
59	90-0035-0000	PIN		1
62	90-0176-0000	O' RING		2
63	90-0040-0000	SHIELD		1
77	90-0020-0000	CAP		2
92	90-0267-0000	SHIELD		2
93	90-0294-0000	ROLLER		2
111	90-0061-0000	BRUSH SPROCKET		2
114	90-0063-0000	GEAR SPROCKET		2
115	90-0065-0000	IDLER ASSY		1
115a	90-0169-0000	SPROCKET		1
115b	90-0161-0000	HUB		2
116	90-0197-0000	IDLER ASSY		1
116a	90-0166-0000	SLEEVE		1
212	90-0392-0000	STUB AXLE		1
261	90-0652-0000	DRUM PINION ASSY - 44		1
311	90-0651-0000	HOUSING ASSY - GEAR SUPPORT		1
395	90-0650-0000	GEAR - LH & RH NEW - KIT		1
V7	90-0393-0000	DRIVE HOUSING		1
V8	90-0126-0000	COVER		1

Housing-Idle Side



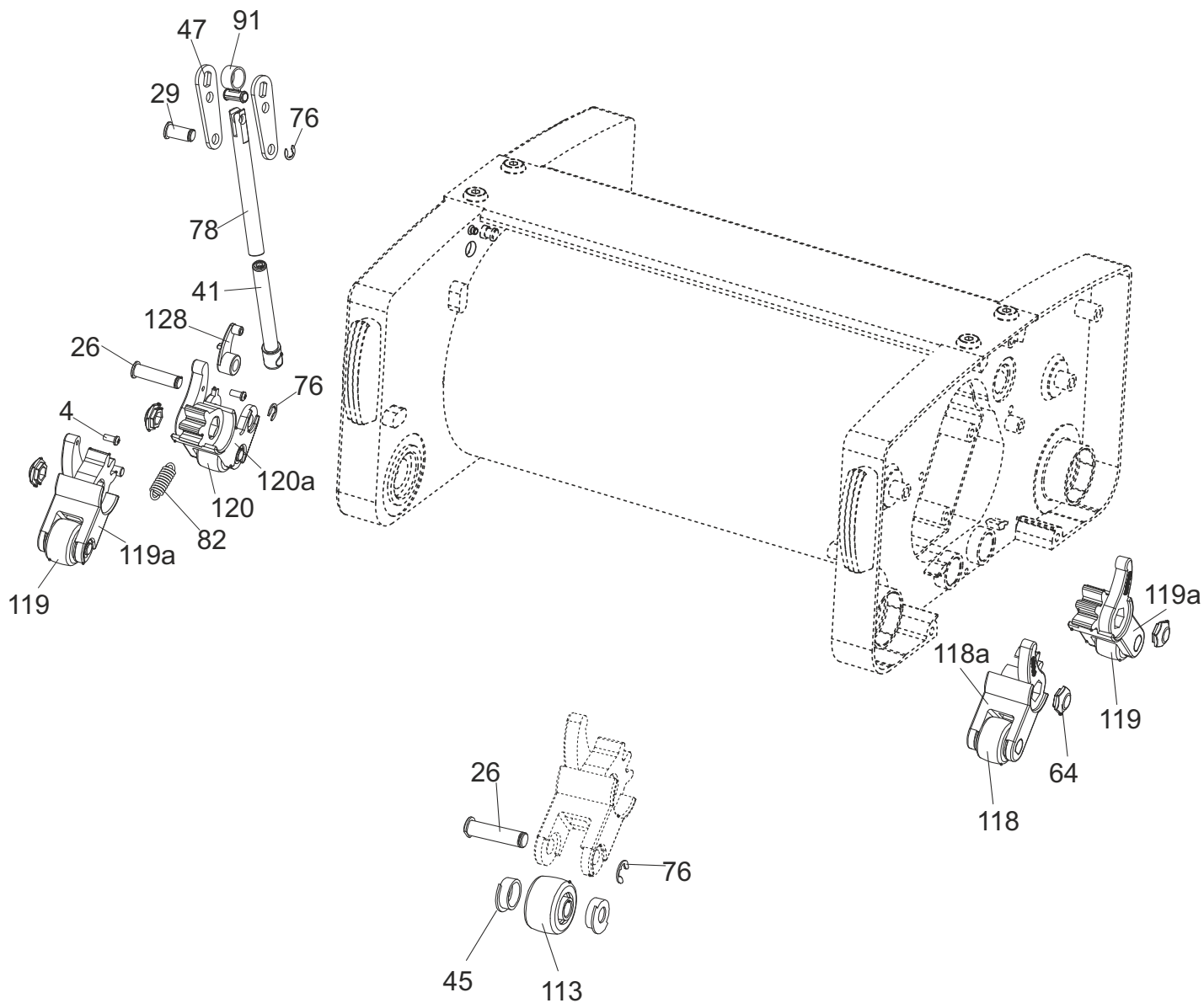
SL.NO	PART NO	DESCRIPTION	SIZE	QTY
1	90-0258-0000	CSK SCREW	M4x10	4
2	90-0001-0000	CRPH SCREW	M3x6	6
6	90-0261-0000	CSK SCREW	M5x25	2
9	90-0293-0000	ALLEN SCREW	M6x10	1
10	90-0144-0000	ALLEN SCREW	M6x16	6
15	90-0147-0000	WASHER	6.4x12x1.6	1
16	90-0395-0000	WASHER	9x17x1.6	1
17	90-0298-0000	SPRING WASHER	M6	1
18	90-0148-0000	TOOTHED WASHER	M6	1
19	02-3847-0000	BEARING	6003 2RS	2
21	90-0149-0000	WIRE TIE		2
32	90-0154-0000	BUMPER		1
33	90-0155-0000	BUSH		2
34	90-0156-0000	BUMPER		1
39	90-0123-0000	STUB AXLE		1
43	90-0025-0000	SLIDER HOUSING		1
46	90-0027-0000	SEAL		2
58	90-0033-0000	TRANSPORT SLIDER		1
59	90-0035-0000	PIN		1
62	90-0176-0000	O' RING		2
63	90-0040-0000	SHIELD		1
68	90-0179-0000	FAN COVER		1
72	90-0045-0000	GROMMET		1
73	90-0183-0000	SELF TAPPING SCREW		2
75	90-0048-0000	CAP		1
77	90-0020-0000	CAP		2
79	90-0188-0000	STOPPER		1
81	90-0259-0000	PEDAL		1
86	90-0297-0000	NUT		2
89	90-0269-0000	CONNECTOR		1
90	90-0283-0000	SWITCH		2
92	90-0267-0000	SHIELD		1
93	90-0294-0000	ROLLER		2
94	90-0290-0000	SOCKET ASSY		1
94a	90-0291-0000	SOCKET		1
94b	90-0292-0000	TERMINAL		3
95	90-0278-0000	CABLE		2
96	90-0279-0000	CABLE		1
98	90-0281-0000	CABLE		1
99	90-0282-0000	CABLE		1
100	90-0260-0000	SPRING-PEDAL		1
129	90-0265-0000	LEVER SWITCH ACT		1
131	90-0262-0000	INSULATION TOP		1
132	90-0263-0000	INSULATION BOTTOM		1
133	90-0295-0000	NUT		1
175	90-0343-0000	CABLE		1
188	90-0397-0000	SLEEVE TIE ROD		3
212	90-0392-0000	STUB AXLE		1
246	90-0477-0000	GROMMET		2
V2	90-0398-0000	CAPACITOR (26 mfd)		1
V3	90-0394-0000	CIRCUIT BREAKER (6A)		1
V5	90-0315-0000	IDLE HOUSING		1
V8	90-0126-0000	COVER		1

Pump Housing



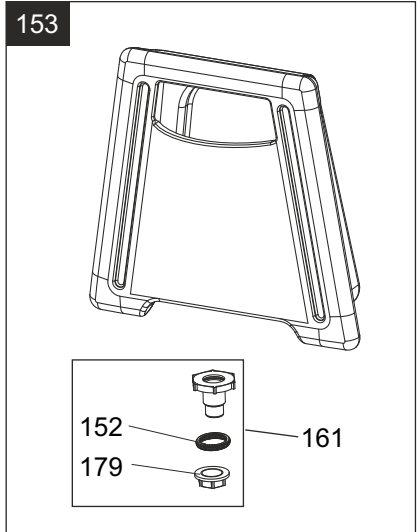
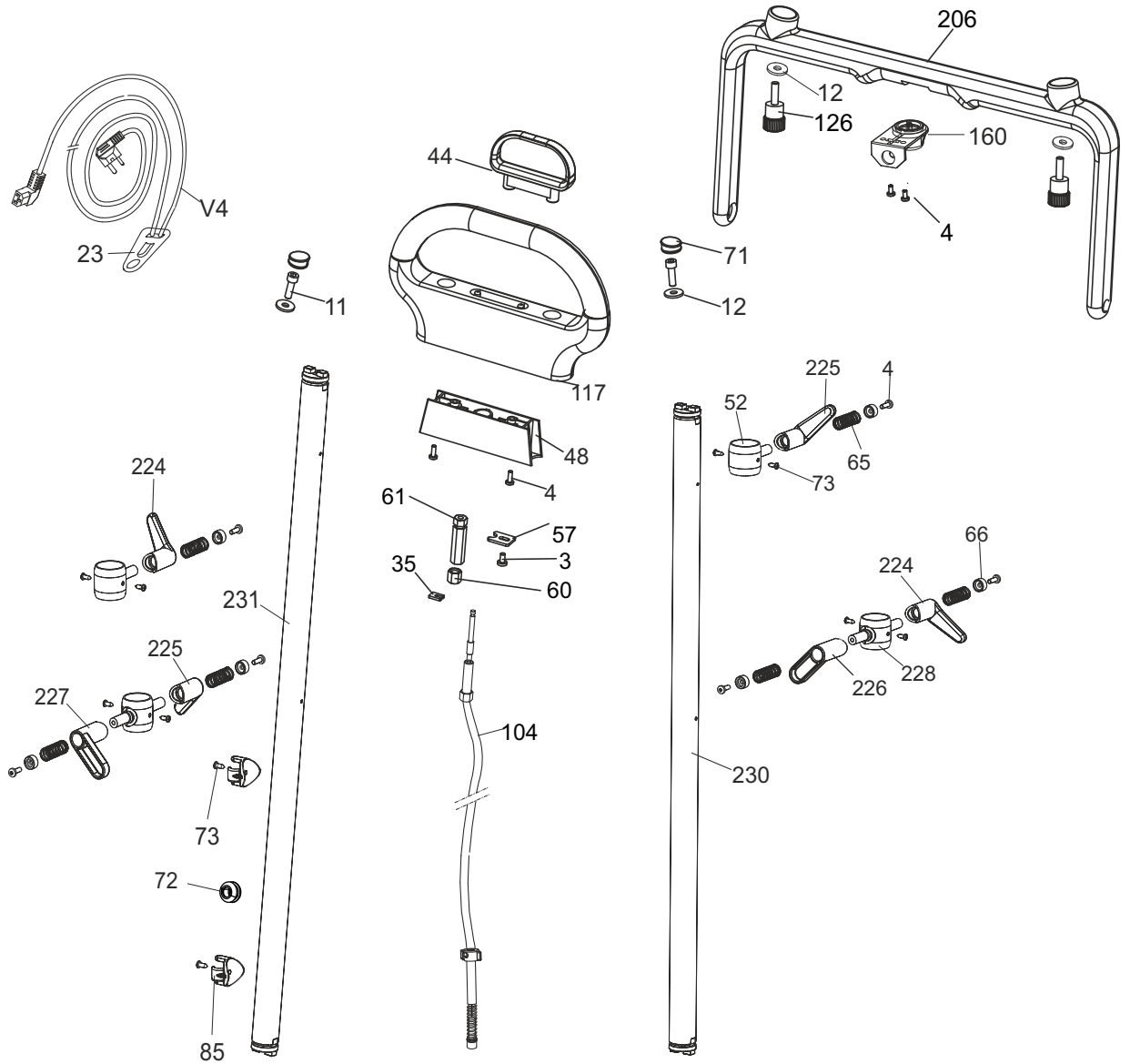
SL.NO	PART NO	DESCRIPTION	SIZE	QTY
1	90-0258-0000	CSK SCREW	M4x10	3
101	90-0100-0000	O-RING-PUMP		1
102	90-0113-0000	FILTER		1
106	90-0599-0000	CSK SCREW	M4x12	8
122b	90-0055-0000	LID PAD		2
154	90-0104-0000	HOSE-275		1
155	90-0227-0000	INSULATION		1
158	90-0353-0000	HOSE CLIP		1
162	90-0112-0000	BOOT		1
163	90-0138-0000	SCREW	M3X30	2
164	90-0140-0000	HEX NUT	M3	2
165	90-0141-0000	HEX NUT	M4	3
167	90-0057-0000	SWITCH		2
168	90-0349-0000	STRIP LID		2
169	90-0350-0000	EXTENSION BUSH		1
170	90-0403-0000	HOSE-165		2
173	90-0404-0000	HOSE CONNECTOR		1
174	90-0405-0000	BOOT-LID		1
176	90-0094-0000	ADAPTOR NOZZLE		1
177	90-0344-0000	CABLE		1
180	90-0093-0000	SEAL NOZZLE		1
181	90-0209-0000	BASE SWITCH		1
182	90-0212-0000	LEVER		1
187	90-0099-0000	SPACER		1
196	90-0406-0000	LID-PUMP HOUSING		1
197	90-0407-0000	LID-DIRTY WATER		1
198	90-0409-0000	PUMP HOUSING		1
199	90-0410-0000	DIRTY WATER TANK		1
210	90-0411-0000	CABLE		1
232	90-0453-0000	NOZZLE		1
270	90-0646-0000	WASHER SS304	8X4X0.5	4
343	90-0559-0000	SUPPORT RING		2
V9	04-3393-0000	PUMP (230V, 50Hz)		1

Lever and Guide Link Mechanism



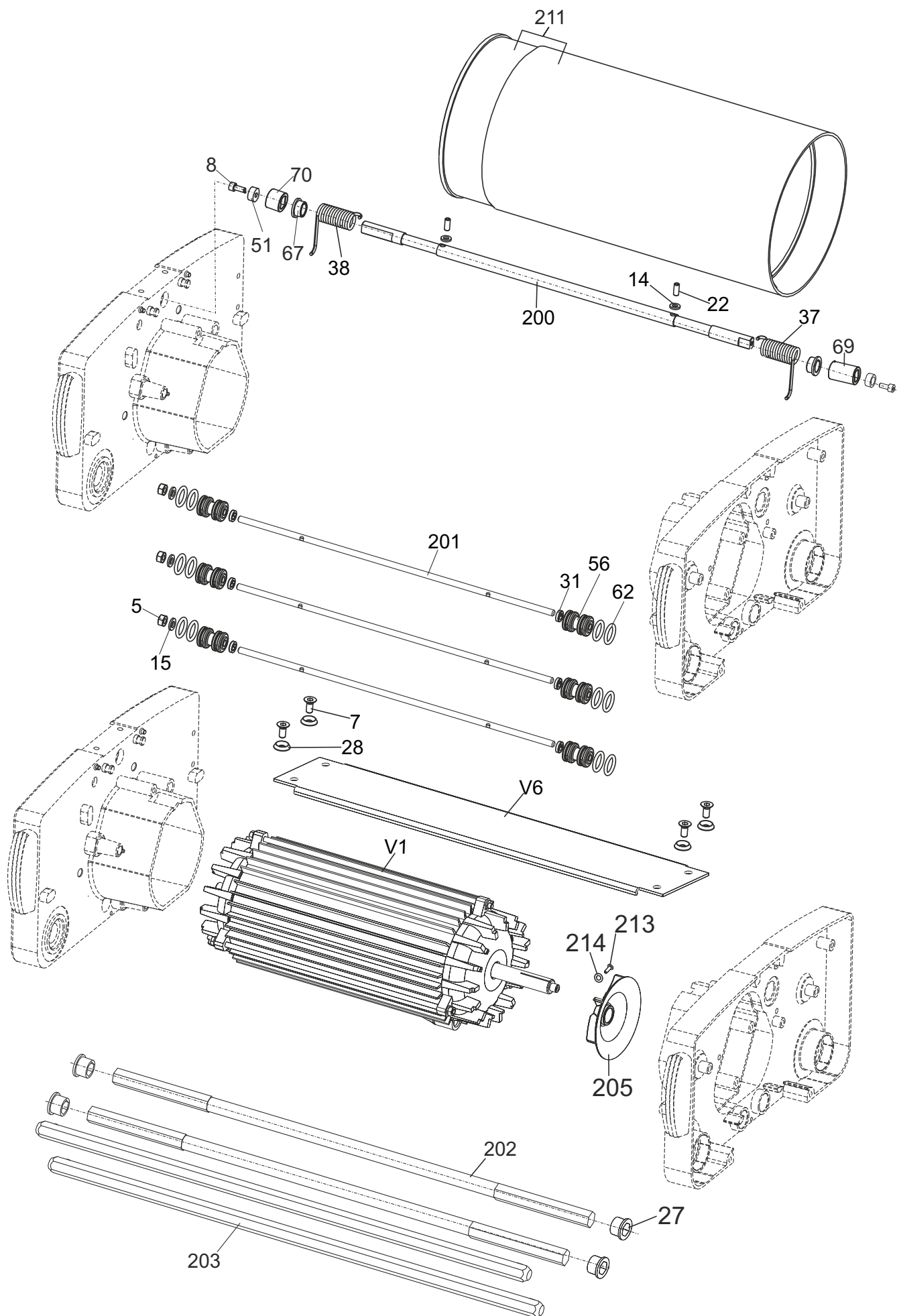
SL.NO	PART NO	DESCRIPTION	SIZE	QTY
4	90-0046-0000	CRPH SCREW	M4x12	2
26	90-0151-0000	CLEVIS PIN		5
29	90-0153-0000	CLEVIS PIN		1
41	90-0159-0000	LINK		1
45	90-0162-0000	SHIELD		8
47	90-0163-0000	LEVER		2
64	90-0177-0000	LEVER BUTTON		4
76	90-0051-0000	CIRCLIP		6
78	90-0186-0000	LINK GUIDE		1
82	90-0284-0000	SPRING		1
91	90-0257-0000	BUSH		1
113	90-0196-0000	WHEEL		4
118	90-0068-0000	LEVER ASSY		1
118a	90-0173-0000	LEVER		1
119	90-0069-0000	LEVER ASSY		2
119a	90-0174-0000	LEVER		2
120	90-0070-0000	LEVER ASSY		1
120a	90-0175-0000	LEVER		1
128	90-0266-0000	LEVER SWITCH		1

Handle Assembly



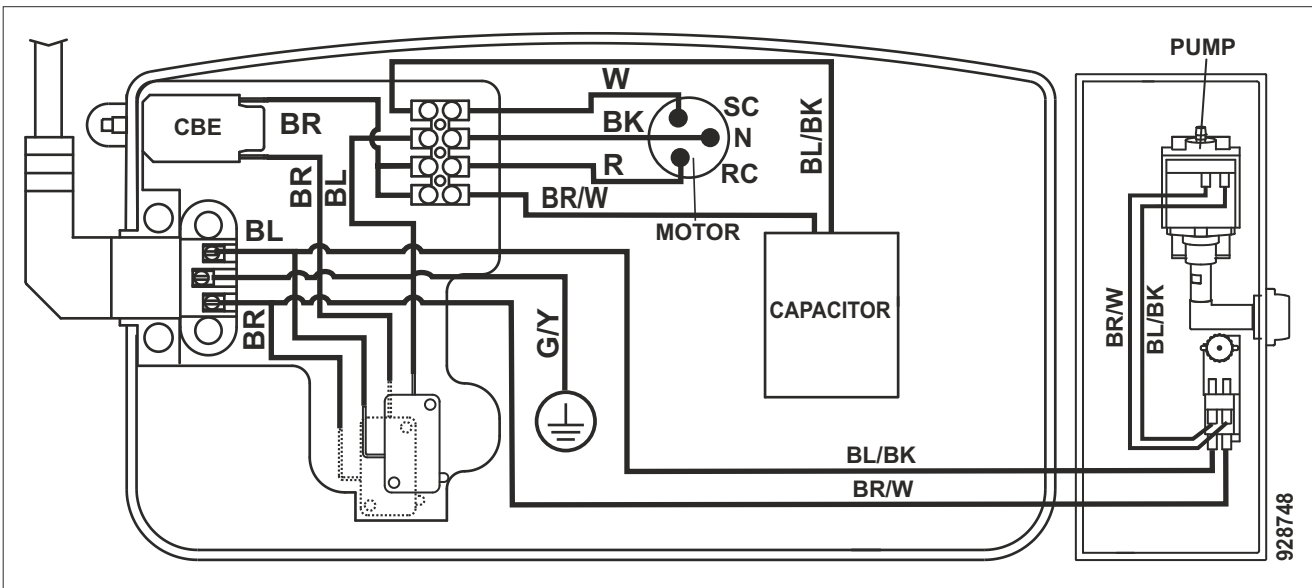
SL.NO	PART NO	DESCRIPTION	SIZE	QTY
3	90-0002-0000	CRPH SCREW	M4x8	1
4	90-0046-0000	CRPH SCREW	M4x12	10
11	90-0005-0000	ALLEN SCREW	M6x20	2
12	90-0006-0000	WASHER	6.4x18x2	4
23	02-3152-0000	CABLE RETAINER		1
35	90-0018-0000	CLAMP		1
44	90-0026-0000	PULL HANDLE		1
48	90-0165-0000	CAP		1
52	90-0168-0000	BASE-CABLE HOLDER		2
57	90-0032-0000	CLAMP		1
60	90-0038-0000	NUT		1
61	90-0039-0000	SLEEVE		1
65	90-0041-0000	SPRING		6
66	90-0042-0000	WASHER		6
71	90-0044-0000	PLUG		2
72	90-0045-0000	GROMMET		1
73	90-0183-0000	SELF TAPPING SCREW		10
85	90-0050-0000	GUIDE		2
104	90-0347-0000	PULL CABLE-P		1
117	90-0067-0000	TOP HANDLE		1
126	90-0296-0000	KNOB		2
152	90-0101-0000	GASKET		1
153	90-0103-0000	TANK - 4L - ASSY		1
160	90-0110-0000	BASE VALVE		1
161	90-0111-0000	VALVE		1
179	90-0092-0000	NUT		1
206	90-0413-0000	HANDLE BOTTOM		1
224	90-0402-0000	KNOB-CABLE HOLDER-II		2
225	90-0429-0000	KNOB-CABLE HOLDER-I		2
226	90-0443-0000	KNOB-TANK HOLDER-LH		1
227	90-0444-0000	KNOB-TANK HOLDER-RH		1
228	90-0445-0000	BASE-CABLE AND TANK HOLDER		2
230	90-0451-0000	PIPE-LH		1
231	90-0452-0000	PIPE-RH		1
V4	90-0299-0000	POWER CORD (UK)		1
V4	90-0273-0000	POWER CORD (EURO)		1

Motor, Drum and Bridge Assembly



SL.NO	PART NO	DESCRIPTION	SIZE	QTY
5	90-0142-0000	HEX NUT	M6	4
7	90-0143-0000	CSK SCREW	M4x10	2
8	90-0004-0000	ALLEN SCREW	5.2x10x1.6	2
14	90-0146-0000	WASHER	6.4x12x1.6	3
15	90-0147-0000	WASHER	M5x12	2
22	90-0150-0000	GRUB SCREW		4
27	90-0015-0000	BUSH		4
28	90-0152-0000	WASHER		6
31	90-0017-0000	WASHER		1
37	90-0157-0000	SPRING		1
38	90-0158-0000	SPRING		2
51	90-0030-0000	WASHER		6
56	90-0172-0000	ROLLER		12
62	90-0176-0000	O' RING		2
67	90-0178-0000	BUSH		1
69	90-0180-0000	BUSH		1
70	90-0181-0000	BUSH		1
200	90-0414-0000	SHAFT-HANDLE		3
201	90-0415-0000	TIE ROD		2
202	90-0416-0000	SHAFT		2
203	90-0417-0000	BRUSH SHAFT		1
205	90-0418-0000	FAN-MOTOR-DS		1
211	90-0419-0000	DRUM ASSY		1
213	90-0422-0000	SCREW	M3	1
214	90-0423-0000	SPRING WASHER		1
V1	90-0424-0000	MOTOR (230V, 50Hz)		1
V6	90-0426-0000	BRIDGE HOUSING		1

Electrical Diagram



Electrical layout of P model