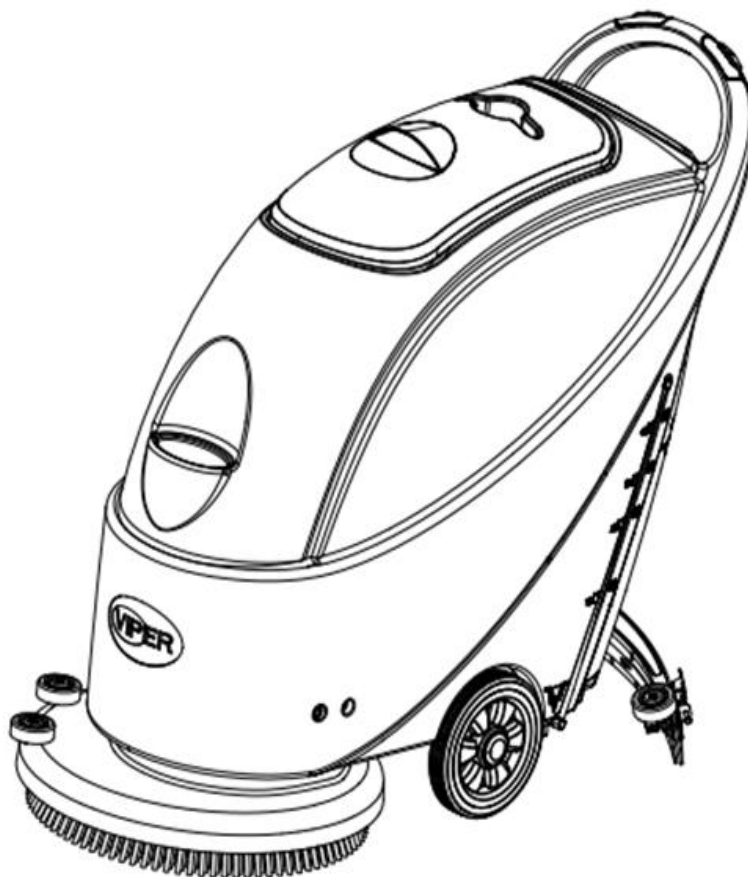




AS430C & AS510C

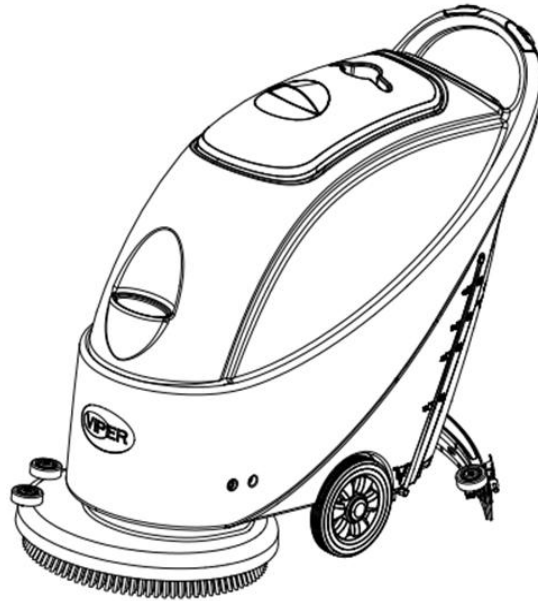
PART LIST



Company information:
www.vipercleaning.eu
info-eu@vipercleaning.com

VF90022-EU
Rev.01

TABLE OF CONTENTS
AS430C/AS510C PART LIST



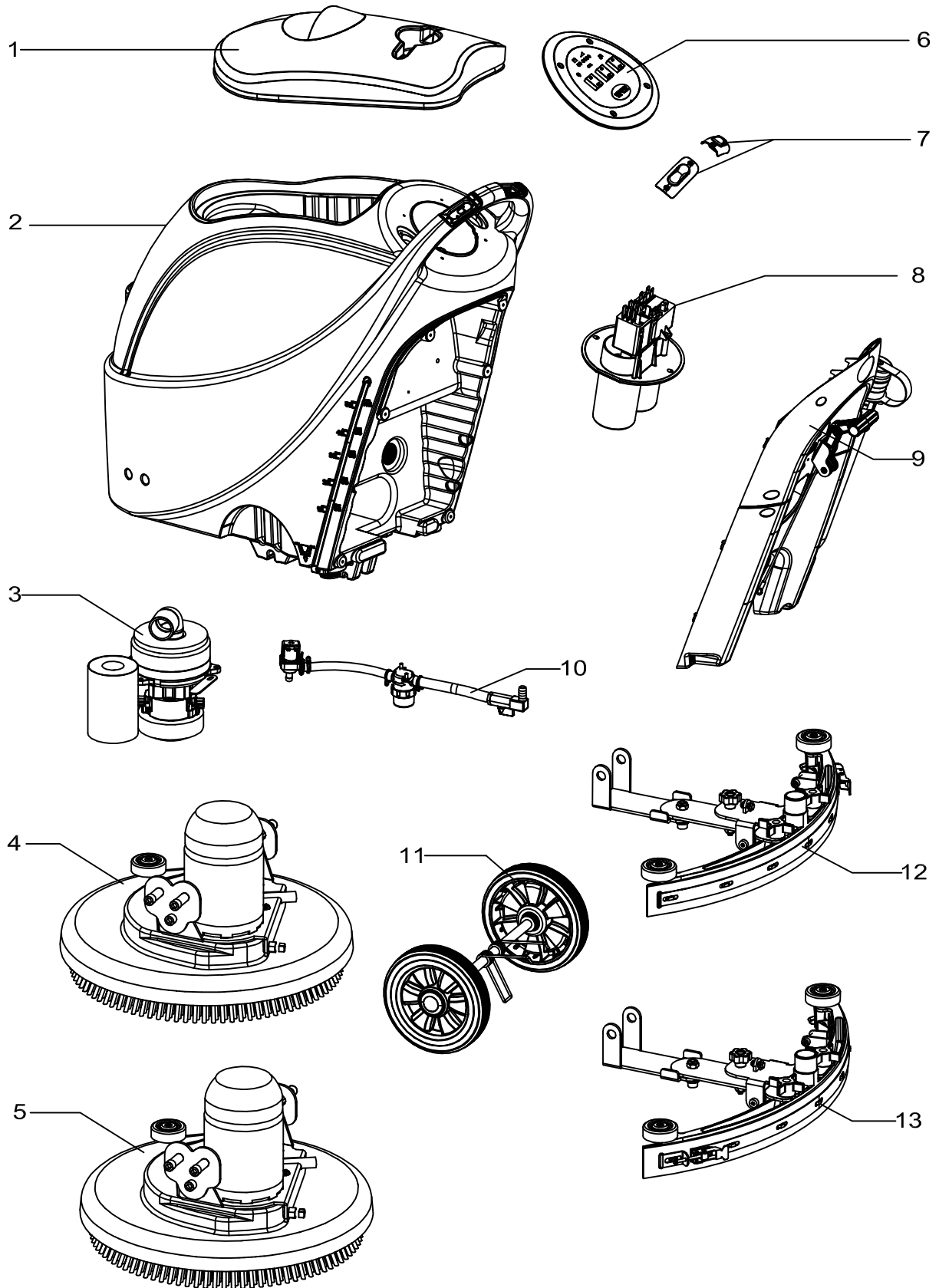
GB	Page
GENERAL VIEW	2-3
TANK SYSTEM	4-5
CONTROL SYSTEM AND ELECTRICAL SYSTEM	6-7
WHEELS AND SOLUTION SYSTEM	8-9
BRUSH SYSTEM	10-11
SQUEEGEE SYSTEM	12-13
WEAR AND TEAR PARTS	14
WIRING DIAGRAM	15

WHEN ORDERING PARTS

- * Use the 7,8 or 9 digit numbers from the "PART NO." columns in this parts list .
- * Specify the model and serial number of the machine.
- * Use the space below to record the model and serial number for future reference.

Model _____ Serial No. _____

GENERAL VIEW
AS430C/AS510C PART LIST



GENERAL VIEW

AS430C/AS510C PART LIST

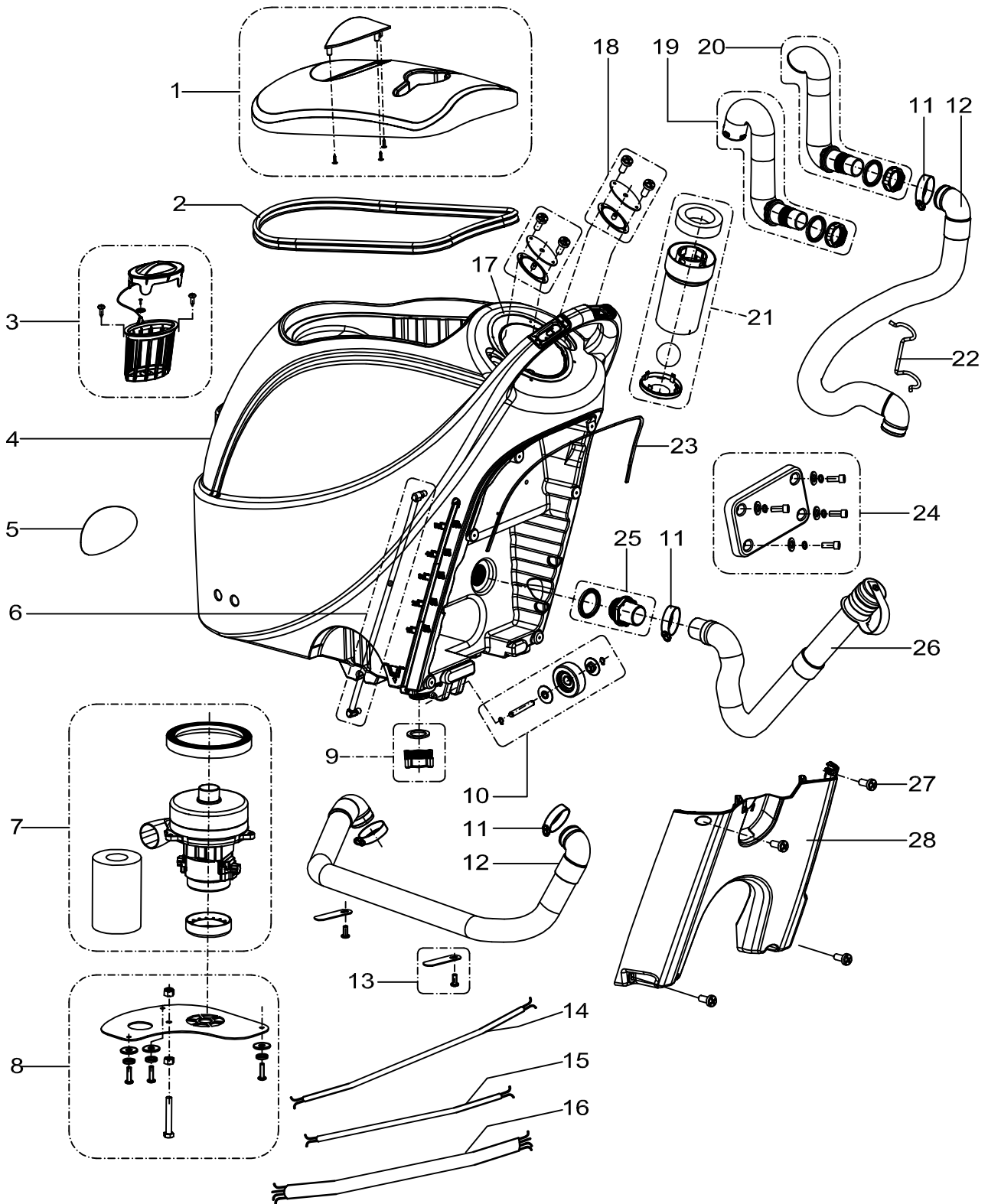
Item	Description	Qty
1	COVER TANK ASSEMBLY	1
2	TANK ASSEMBLY	1
3	SUCTION PUMP SYSTEM	1
4B	20"BRUSH SYSTEM	1
5A	17"BRUSH SYSTEM	1
6	SWITCH PANEL ASSEMBLY	1
7	SAFETY SWITCH ASSEMBLY	1
8	ELECTRON COMPONENT ASSEMBLY	1
9	CONTROL PANEL SYSTEM	1
10	SOLUTION SYSTEM	1
11	WHEEL ASSEMBY	1
12A	17"SQUEEGEE SYSTEM	1
13B	20"SQUEEGEE SYSTEM	1

A = Only for AS430C

B = Only for AS510C

TANK SYSTEM

AS430C/AS510C PART LIST



TANK SYSTEM

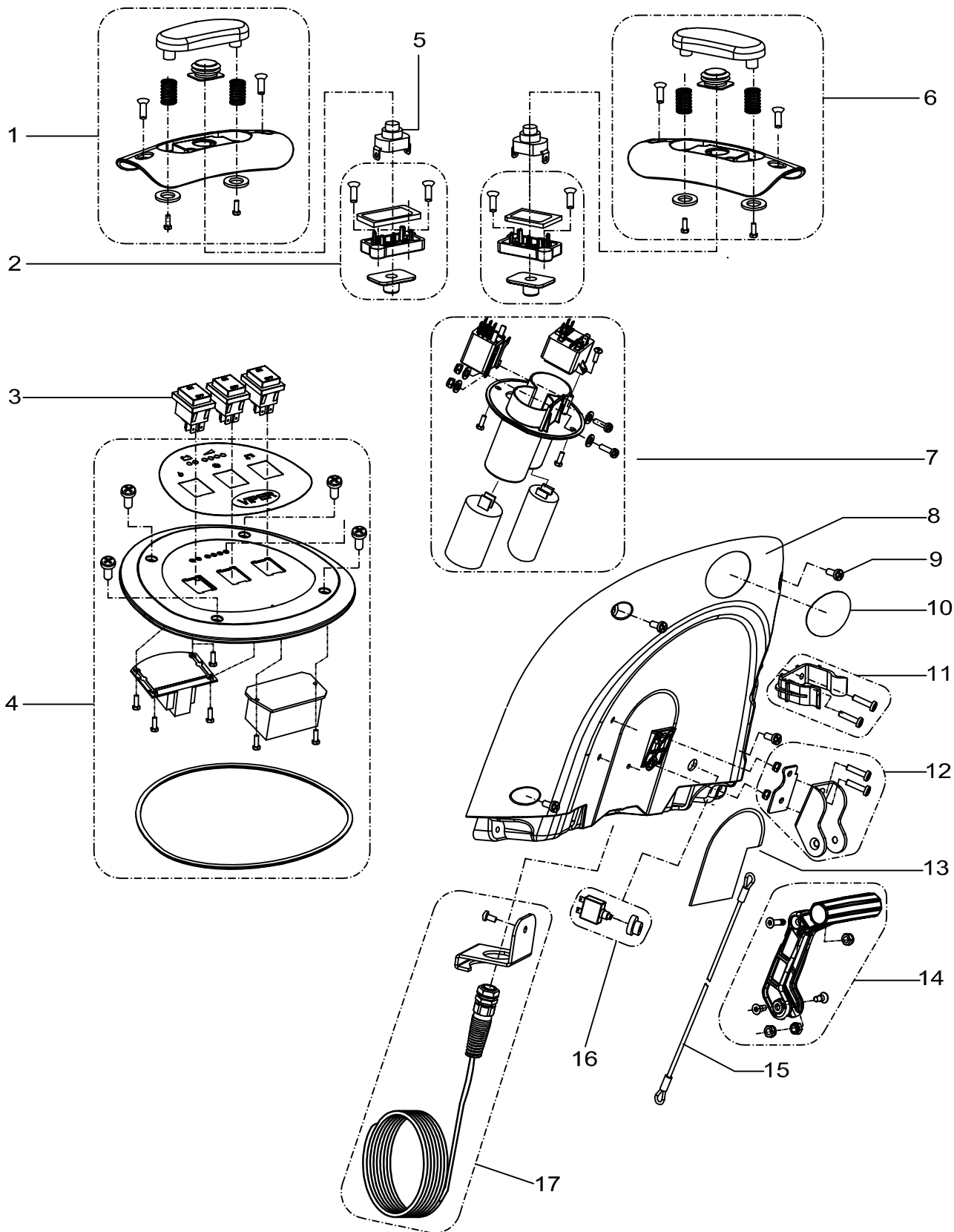
AS430C/AS510C PART LIST

Item	Part No.	Description	Qty
1	VF90535	RECOVERY TANK KIT	1
2	VF90504	GASKET	1
3	VF90619	TANK FILTER NET KIT	1
4	VF90519	TANK (CABLE MODLE)	1
5	VF90011	LOGO LABEL	1
6	VF90622	WATER LEVEL KIT	1
7	VF90807	VACUUM MOTOR KIT	1
8	VF90264	VACUUM MOTOR COVER KIT	1
9	VF90536	OUTLET COVER KIT	1
10	VF90312	2.5" WHEEL KIT	1
11	VA20304	CLAMP	4
12	VF90508	SUCTION HOSE	2
13	VF90537	FIX PANEL KIT	1
14	VF90720	VACUUM MOTOR CONNECTION LINE	1
15	VF90730	SOLENOID VALVE CONNECTION LINE	1
16	VF90721	BRUSH MOTOR CONNECTION LINE	1
17	VF90231	GASKET	1
18	VF90265	SEAL PLATE KIT	2
19	VF90538	SUCTION TUBE CONNECTER KIT	1
20	VF90539	DISCHARGE SEWAGE HOSE KIT	1
21	VF90534	FLOAT KIT	1
22	VF83150	CLAMP,HOSE	1
23	VF90218	CONTROL SEAL GASKET	1
24A	VF90801	17" WEIGHT KIT	1
24B	VF90802	20" WEIGHT KIT	1
25	VF90446	DRAIN HOSE CONNECTER KIT	1
26	VF90443	DRAIN HOSE-38	1
27	GT13054	SCREW TM5x12	4
28	VF90206	BATTERY COVER	1

A = Only for AS430C

B = Only for AS510C

CONTROL SYSTEM AND ELECTRICAL SYSTEM AS430C/AS510C PART LIST

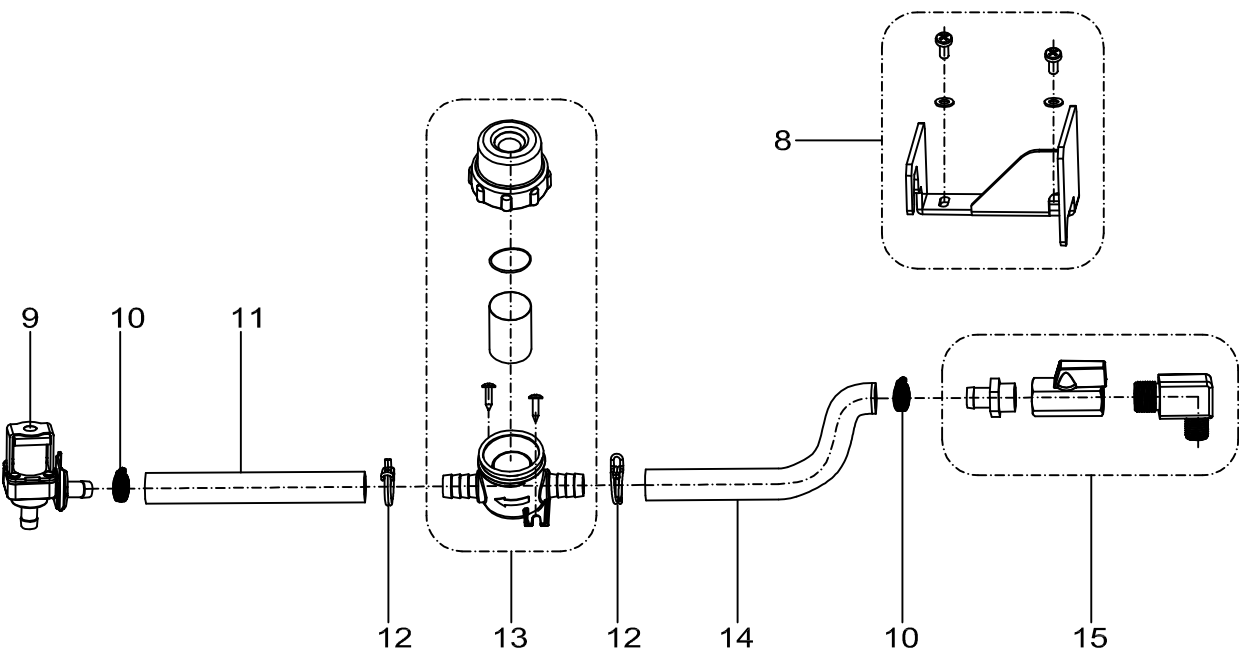
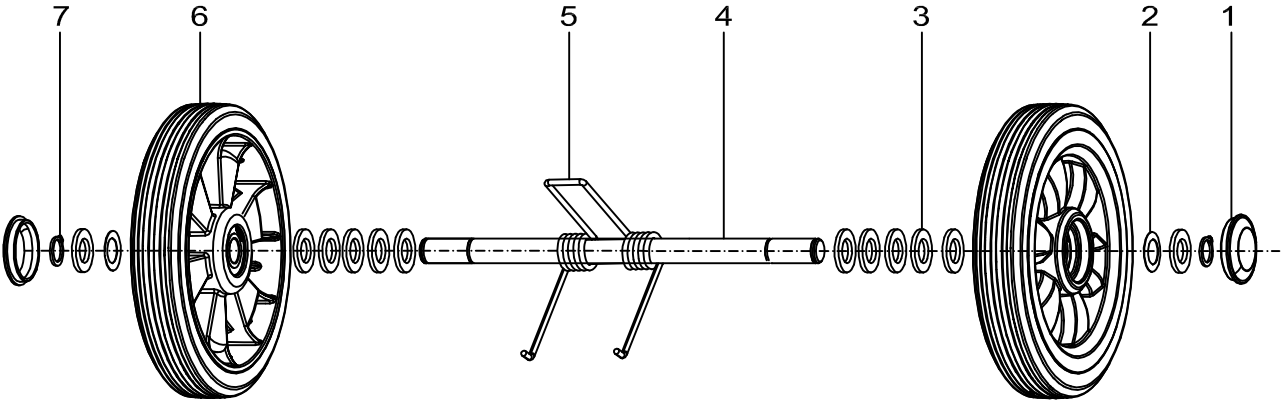


**CONTROL SYSTEM AND ELECTRICAL SYSTEM
AS430C/AS510C PART LIST**

Item	Part No.	Description	Qty
1	VF90266	SAFETY SWITCH KNOB LEFT KIT	1
2	VF90268	SWITCH FIX FRAME KIT	2
3	VV60153	SWITCH RL2(P)	3
4	VF90805	SWITCH COVER KIT	1
5	VF90252	SWITCH	2
6	VF90267	SAFETY SWITCH KNOB LEFT KIT	1
7	VF90806	ELECTRON COMPONENT	1
8	VF90205	COVER CONTROL HOUSING	1
9	GT13054	SCREW TM5x12	4
10A	VF90013-EU	17" SERIAL NUMBER LABEL	1
	VF90013-UK	17" SERIAL NUMBER LABEL	1
10B	VF90014-EU	20" SERIAL NUMBER LABEL	1
	VF90014-UK	20" SERIAL NUMBER LABEL	1
11	VF90275	CLAMP DRAIN HOSE KIT	1
12	VF90276	HAND BRACKET KIT	1
13	VF90010	BACK COVER PANEL	1
14	VF90277	HANDLE LIFT KIT	1
15	VF90114	CABLE SQUEEGEE LIFT	1
16	VF90804	CIRCUIT BREAKER KIT	1
17	VF90803EU	CABLE KIT	1
	VF90803UK	CABLE KIT	1

A = Only for AS430C
B = Only for AS510C

WHEELS AND SOLUTION SYSTEM
AS430C/AS510C PART LIST



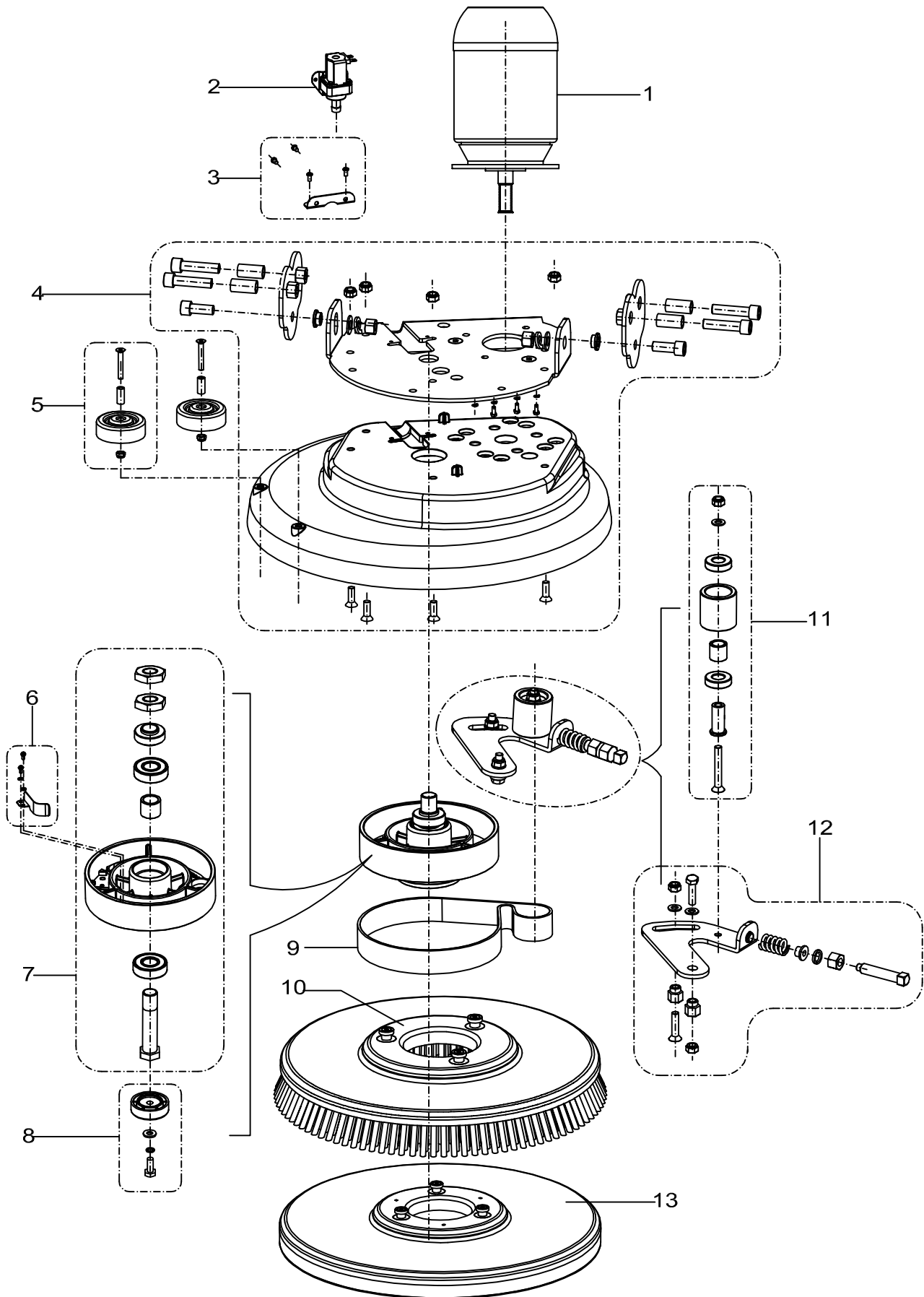
WHEELS AND SOLUTION SYSTEM

AS430C/AS510C PART LIST

Item	Part No.	Description	Qty
1	VF89203	WHEEL COVER	2
2	VF14563	LEVILLE WASHER	2
3	VF14554	WHASHER	12
4	VF90304	WHEEL SHAFT	1
5	VF82172	SPRING 70°	1
6	VF90305	8" WHEEL	2
7	VF14552	RING D 17	2
8	VF90623	SOLENOID VALVE BRACKET KIT	1
9	VF90283	SOLENOID VALVE KIT	1
10	VV10114	CLAMP	2
11	VF90440	TUBING	1
12	VF82148	CLAMP,HOSE	2
13	VF90621	FILTER KIT	1
14	VF90441	TUBING	1
15	VF90624	BALL VALVE KIT	1

BRUSH SYSTEM

AS430C/AS510C PART LIST



BRUSH SYSTEM

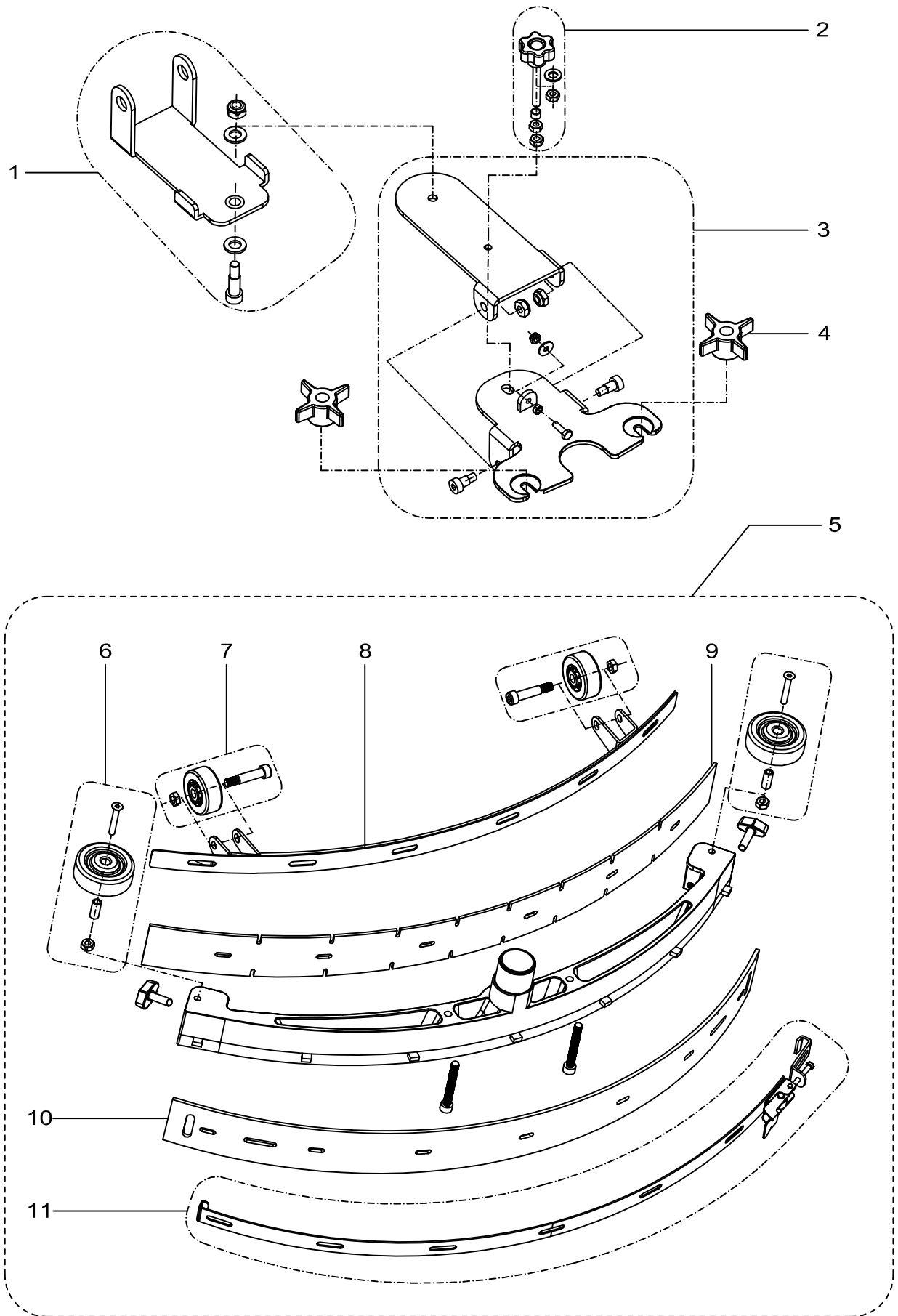
AS430C/AS510C PART LIST

Item	Part No.	Description	Qty
1	VF90728	BRUSH MOTOR KIT	1
2	VF90283	SOLENOID VALVE KIT	1
3	VF90447	SOLENOID VALVE BRACKET KIT	1
4A	VF90448	17" BRUSH SUPPORT KIT	1
4B	VF90449	20" BRUSH SUPPORT KIT	1
5	VF90137	BUMPER ROLLER KIT	1
6	VF90450	BRUSH SPRING CLIP KIT	1
7	VF90444	DRIVEN PULLEY KIT	1
8	VF90451	VIBRATION GASKET KIT	1
9	VF90408	BELT	1
10A	VF90411	17"BRUSH	1
10B	VF90417	20"BRUSH	1
11	VF90445	TENSION WHEEL KIT	1
12	VF90452	ROD, TENSION WHEEL KIT	1
13A	VF90428	17" PAD	1
13B	VF90416	20" PAD	1

A = Only for AS430C

B = Only for AS510C

SQUEEGEE SYSTEM
AS430C/AS510C PART LIST



SQUEEGEE SYSTEM
AS430C/AS510C PART LIST

Item	Part No.	Description	Qty
1	VF90140	FRONT-SQUEEGEE-SUPPORT KIT	1
2	VF90141	HAND WHEEL KIT	1
3	VF90142	BACK-SQUEEGEE-SUPPORT KIT	1
4	VF81210	KNOB	2
5A	VF90134	17" SQUEEGEE KIT	1
5B	VF90135	20" SQUEEGEE KIT	1
6	VF90137	BUMPER ROLLER KIT	2
7	VF90136	SQUEEGEE ROLL WHEEL KIT	2
8A	VF90102	17" STRAP, SQUEEGEE FRONT	1
8B	VF90118	20" STRAP, SQUEEGEE FRONT	1
9A	VF90103	17" BLADE FRONT	1
9B	VF90119	20" BLADE FRONT	1
10A	VF90104	17" BLADE REAR	1
10B	VF90120	20" BLADE REAR	1
11A	VF90138	17" STRAP, SQUEEGEE BACK KIT	1
11B	VF90139	20" STRAP, SQUEEGEE BACK KIT	1

A = Only for AS430C

B = Only for AS510C

WEAR AND TEAR PARTS
AS430C/AS510C PART LIST

Item	Part No.	Description	Qty
1	VF90504	GASKET	1
2	VF90619	TANK FILTER NET KIT	1
3	VF90293	VACUUM MOTOR KIT	1
4	VF90536	OUTLET COVER KIT	1
5	VF90312	2.5" WHEEL KIT	1
6	VF90508	SUCTION HOSE	2
7	VF90534	FLOAT KIT	1
8	VF90443	DRAIN HOSE-38	1
9	VF90254	MOTOR CABLE ASSEMBLE	1
10	VF90247	POWER CABLE	1
11	VV60153	SWITCH RL2 (P)	3
12	VF90805	SWITCH COVER KIT	1
13	VF90252	SWITCH	2
14	VF90804	CIRCUIT BREAKER KIT	1
15	VF90114	CABLE SQUEEGEE LIFT	1
16	VF90305	8" WHEEL	2
17	VF90283	SOLENOID VALVE KIT	1
18	VF90621	FILTER KIT	1
19	VF90624	BALL VALVE KIT	1
20	VF90728	BRUSH MOTOR KIT	1
21	VF90137	BUMPER ROLLER KIT	1
22	VF90450	BRUSH SPRING CLIP KIT	1
23	VF90444	DRIVEN PULLEY KIT	1
24	VF90408	BELT	1
25A	VF90411	17"BRUSH	1
25B	VF90417	20"BRUSH	1
26	VF90141	HAND WHEEL KIT	1
27	VF81210	KNOB	2
28	VF90137	BUMPER ROLLER KIT	2
29	VF90136	SQUEEGEE ROLL WHEEL KIT	2
30A	VF90103	17" BLADE FRONT	1
30B	VF90119	20" BLADE FRONT	1
31A	VF90104	17" BLADE REAR	1
31B	VF90120	20" BLADE REAR	1
32A	VF90428	17" PAD	1
32B	VF90416	20" PAD	1

A = Only for AS430C

B = Only for AS510C



Company information:
www.vipercleaning.eu
info-eu@vipercleaning.com