

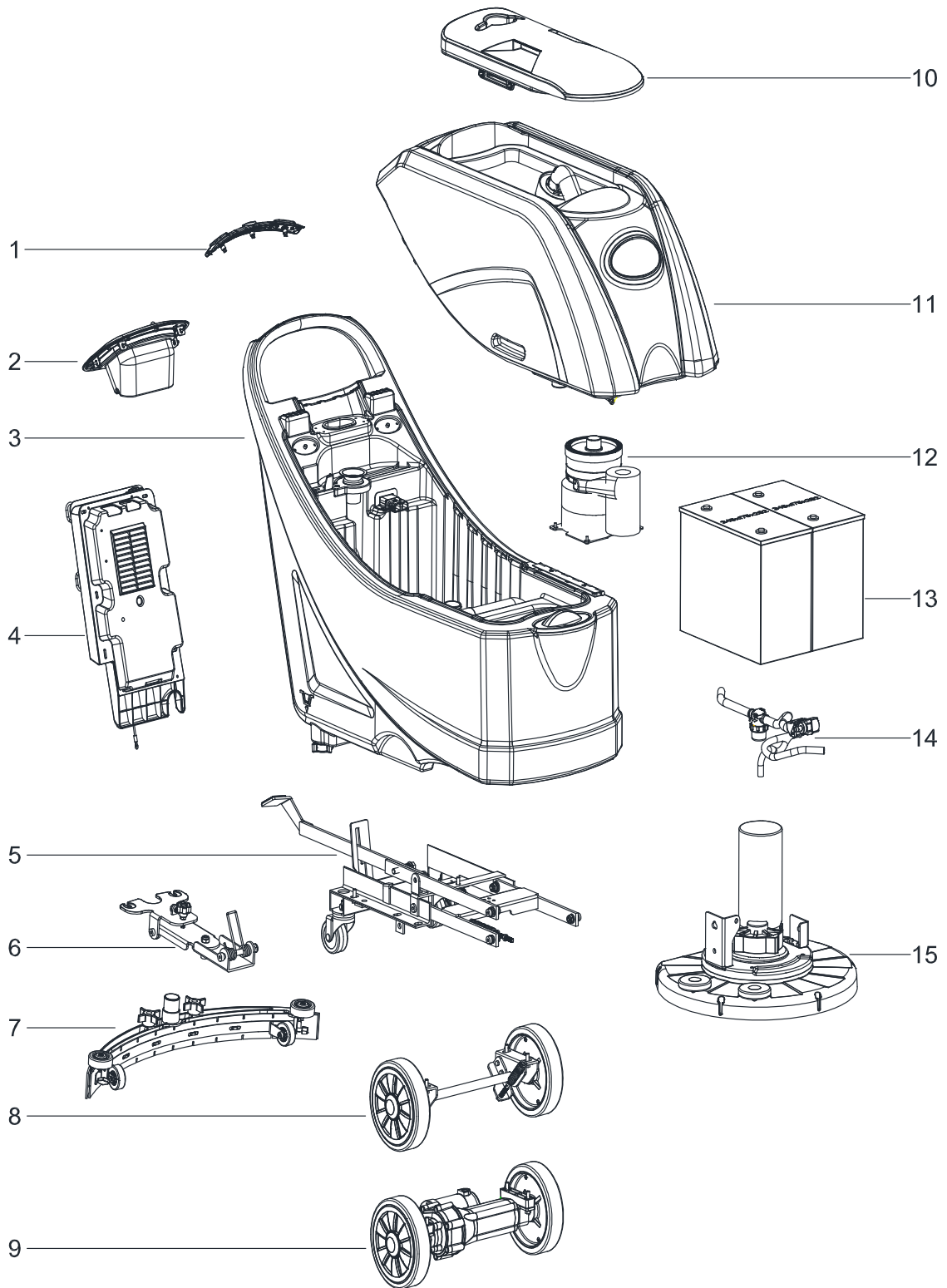
PARTS LIST



2016.08.31

TABLE OF CONTENTS

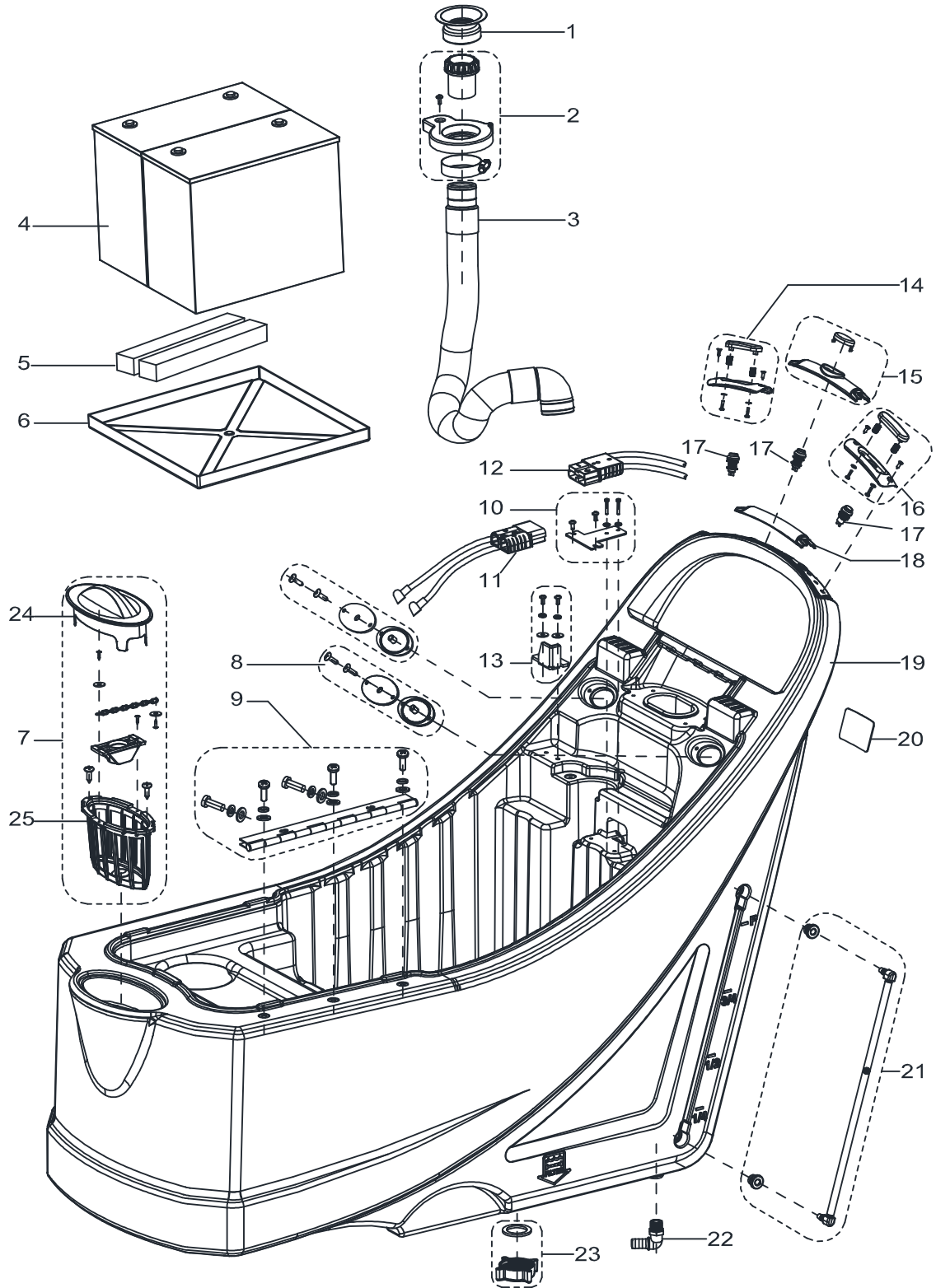
Overview	1
Solution tank	3
Recovery tank	5
Control system	7
Chassis	9
Wheels with traction	11
Solution system	13
Brush	15
Squeegee	17
WEAR AND TEAR PARTS	19
Wiring diagram (machine with traction)	21



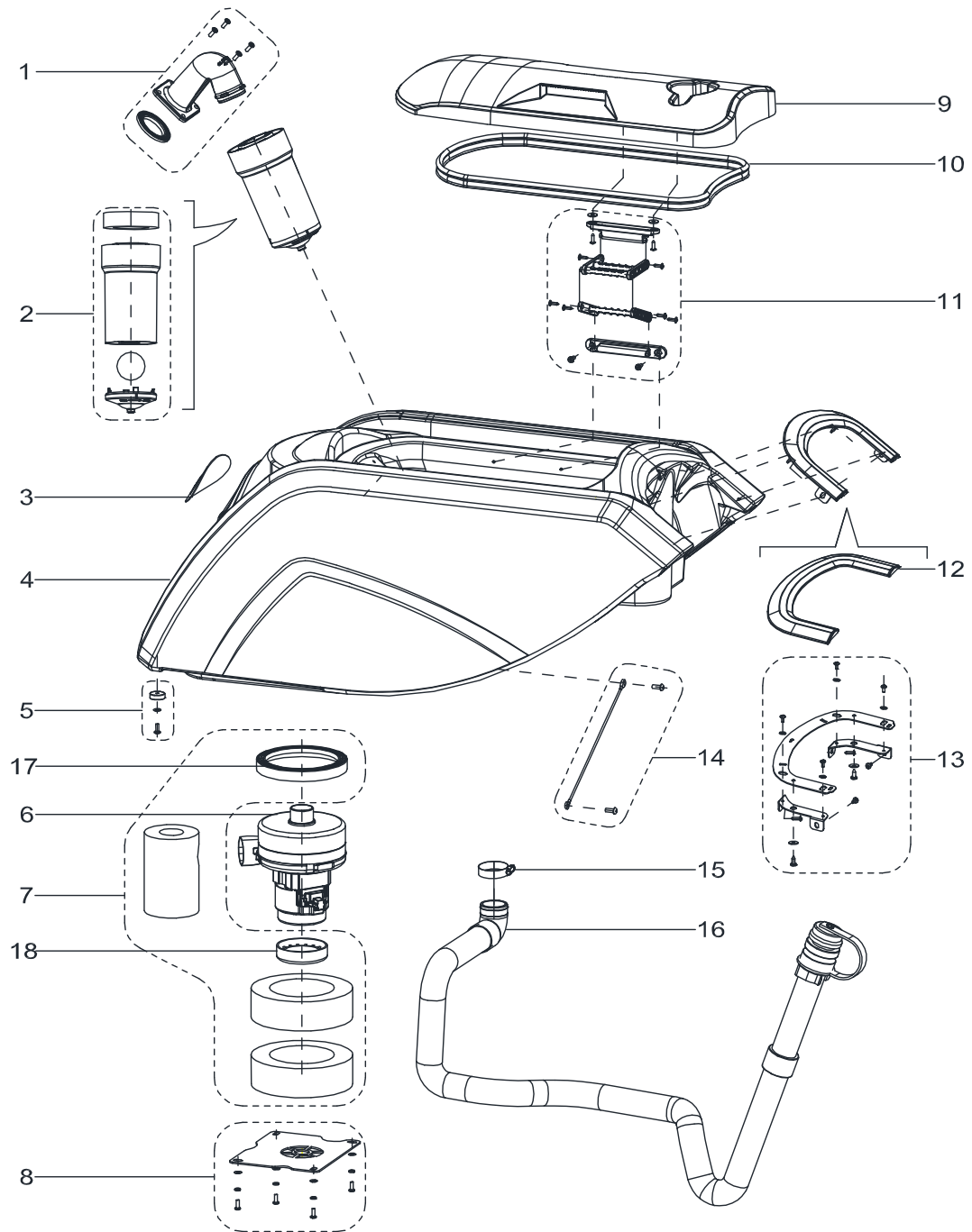
Pos.	Réf article	Qté	Désignation	Notes
1		1	SAFETY SWITCH ASSEMBLY WITH TRACTION	[1]
2		1	CONTROL PANEL ASSEMBLY	[2]
3		1	SOLUTION TANK ASSEMBLY	[1]
4		1	CONTROL BOX ASSEMBLY	[2]
5		1	CHASSIS ASSEMBLY	[3]
6		1	SQUEEGEE HOLDER ASSEMBLY	[4]
7		1	20 INCH SQUEEGEE ASSEMBLY	[4]
9		1	WHEEL ASSEMBLY WITH TRACTION	[5]
10		1	RECOVERY TANK LID ASSEMBLY	[6]
11		1	RECOVERY TANK ASSEMBLY	[6]
12		1	VACUUM MOTOR ASSEMBLY	[6]
13		1	BATTERIES	[1]
14		1	SOLUTION SYSTEM ASSEMBLY	[7]
15		1	BRUSH DECK ASSEMBLY	[8]

Part Notes:

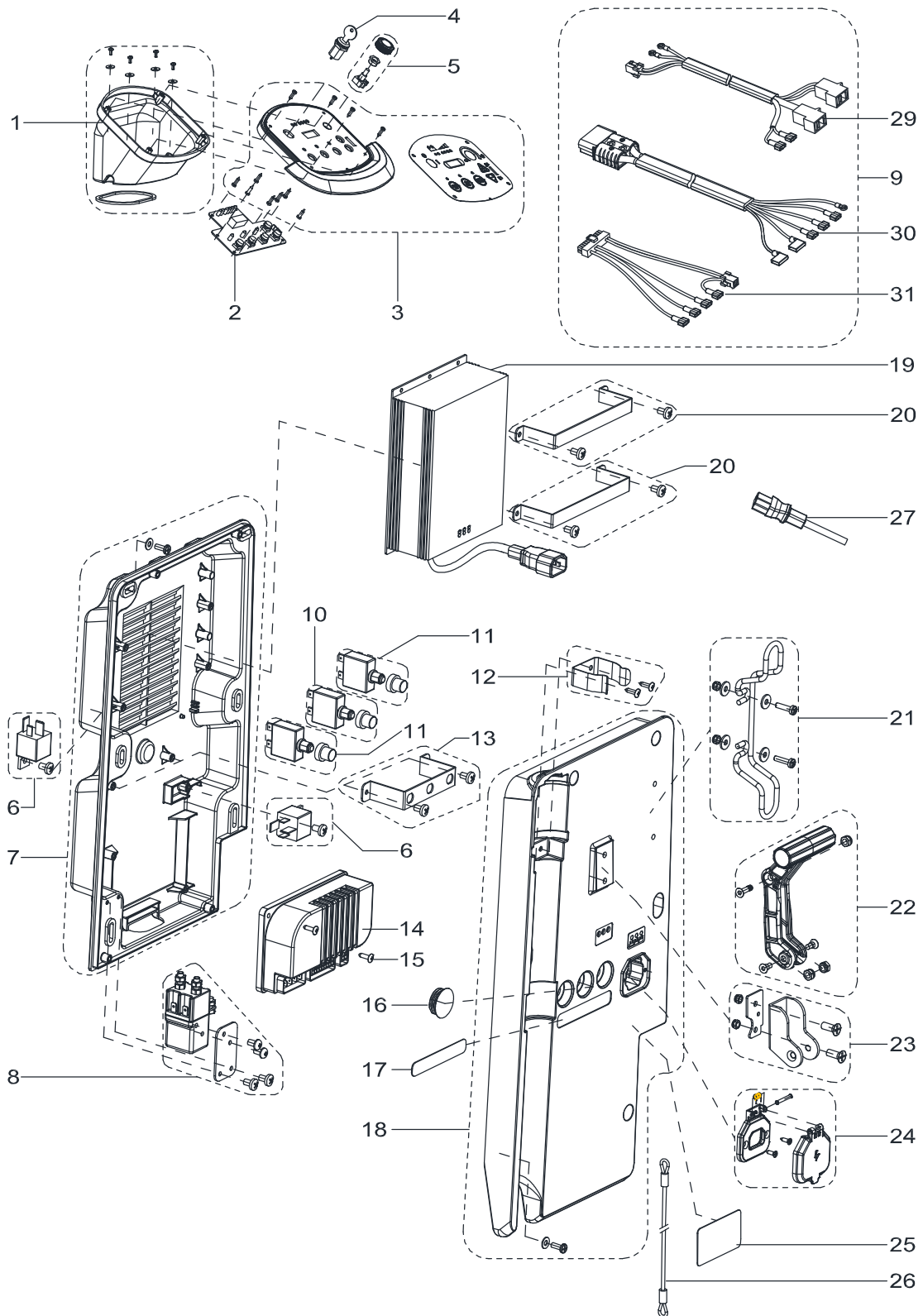
- [1] - Solution tank
- [2] - Control system
- [3] - Chassis
- [4] - Squeegee
- [5] - Wheels with traction
- [6] - Recovery tank
- [7] - Solution system
- [8] - Brush



Pos.	Réf article	Qté	Désignation	Notes
1	VS10603	1	GASKET-DRAIN HOSE	
2	VS10101	1	SUCTION CONNECTER FRAME KIT	
3	VS10601	1	SUCTION HOSE	
4		2	BATTERY 100-115Ah/20h AGM	
5	VF90533	2	PANEAU ENTRETOISE DE BATTERIE	
6	VS10329	1	TRAY BATTERY	
7	VS10102	1	FILTER COVER KIT	
8	VF90265	2	JOINT PLAT	
9	VS10103	1	HINGE KIT	
10	VS10104	1	CHARGE PULG BRACKET KIT	
11	VS10206	1	BATTERY CONNECTIONS	
12	VS10207	1	HARNESS CONNECTER WITH TRACTION	
13	VS10105	1	FIXED BLOCK KIT	
14	VS10106	1	SAFETY SWITCH RIGHT KIT	
15	VS11101	1	REVERSE SWITCH KIT	
16	VS10108	1	SAFETY SWITCH LEFT KIT	
17	VS10202	3	SWITCH	
19	VS10303	1	SOLUTION TANK	
20		1	SERIAL NUMBER LABEL	
21	VS10109	1	WATER LEVEL PIPE KIT	
22	VF81403P	1	UNION ELBOW	
23	VF90536	1	COUVERCLE EXTERNE EAU	
24	VS10312	1	FILTER COVER	
25	VS10313	1	FILTER SUPPORT	



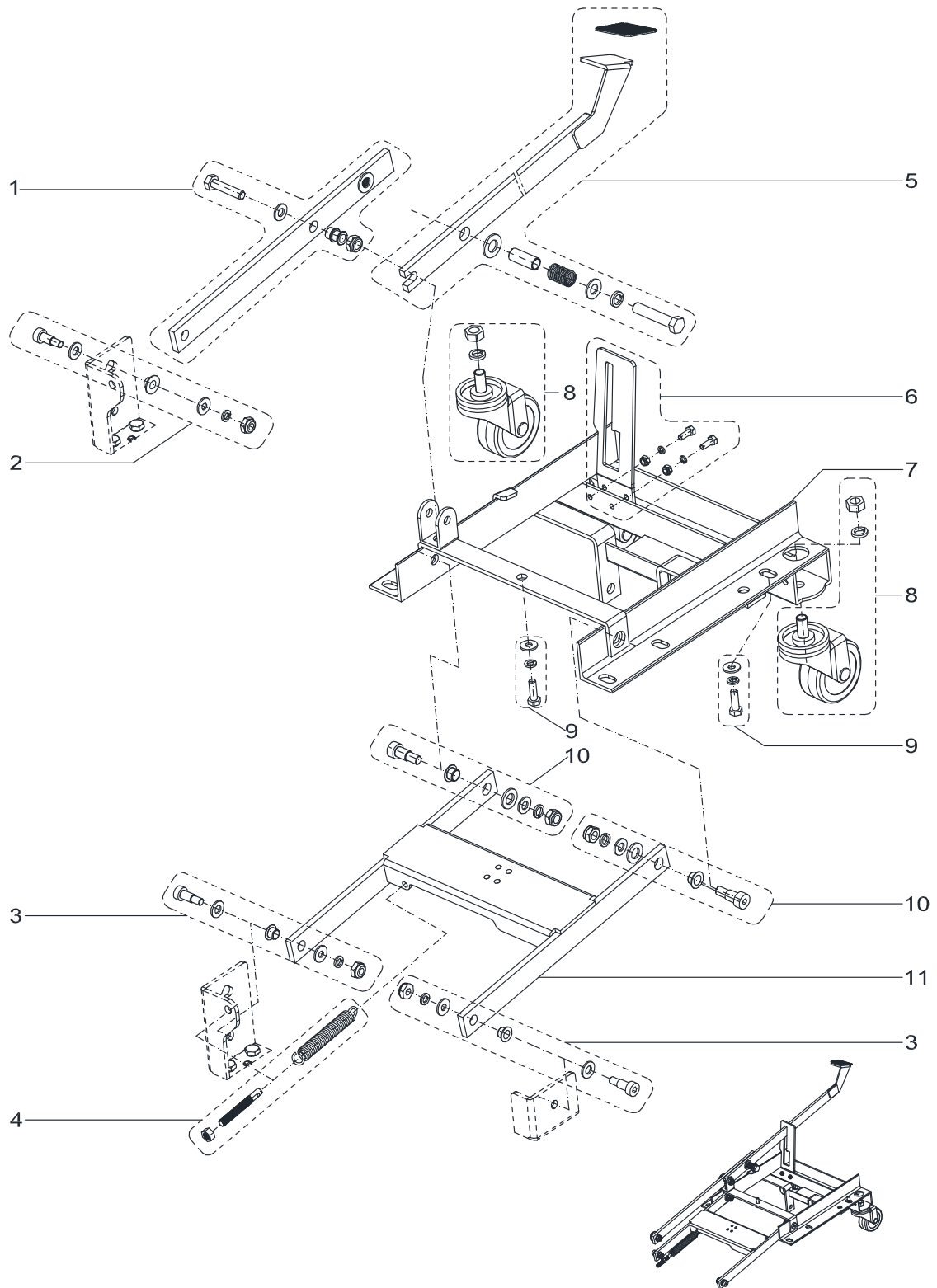
Pos.	Réf article	Qté	Désignation	Notes
1	VS10110	1	ELBOW ADAPTOR KIT	
2	VF90534	1	KIT FLOTTEUR	
3		1	LOGO LABEL	
4	VS10302	1	RECOVERY TANK	
5	VS10111	1	RUBBER GASKET KIT	
6	VF90520	1	MOTEUR ASPIRATION	
7	VS10112	1	GASKET VACUUM MOTOR KIT	
8	VS10113	1	VACUUM MOTOR COVER KIT	
9	VS10301	1	RECOVERY TANK LID	
10	VF90504	1	JOINT	
11	VS10114	1	RETAINER-RECOVERY TANK LID	
12	VS10309	1	DECORATIVE PANEL	
13	VS10115	1	DECORATIVE PANEL BRACKET KIT	
14	VS10116	1	RECOVERY TANK CABLE KIT	
15	VA20304	1	CLAMP	
16	VS10602	1	DRAIN HOSE- DIA.38MM	
17	VA80770	1	JOINT	
18	VF90523	1	JOINT DE COUCERCLE MOTEUR ASPIRATION	



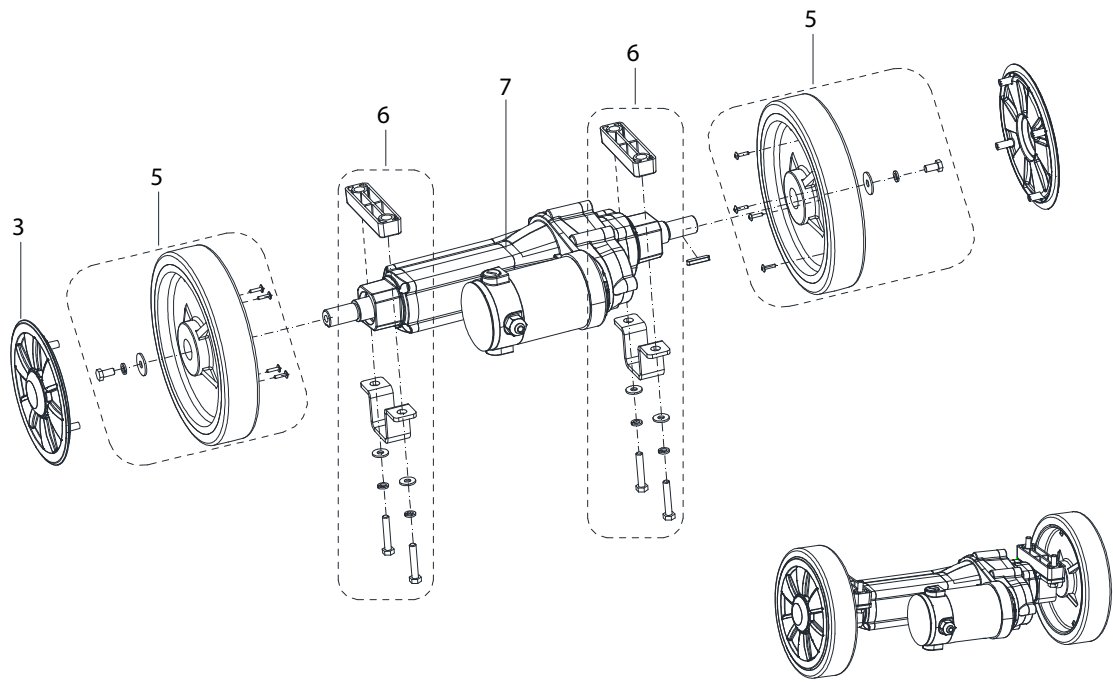
Pos.	Réf article	Qté	Désignation	Notes
1	VS10117	1	PCB BOX KIT	
2	VS10203	1	CONTROL PANEL BOARD	
3	VS11102	1	CONTROL PANEL-TRACTION	
4	9100001354	1	INTER A CLE AVEC BOUCHON	
5	VS10120	1	SPEED ADJUSTMENT KNOB KIT	
6	VS10230	2	RELAY 24V KIT	
7	VS10121	1	CONTROL BOX BOTTOM KIT	
8	VS10231	1	ELECTROMAGNETIC SWITCH KIT	
9	VS11202	1	WIRE HARNESS KIT WITH TRACTION	
10	VS11201	1	CIRCUIT BREAKER KIT WITH TRACTION	
11	VS10232	2	CIRCUIT BREAKER KIT	
12	VF90275	1	SUPPORT CPLIP FLEX DE VIDANGE	
13	VS10122	1	FIX BRACKET KIT	
14	VS10209	1	ELECTRONIC BOARD TRACTION SYSTEM	
15	VA80758	2	VIS	
17	VS11002	1	RESET LABEL WITH TRACTION	
18	VS10124	1	CONTROL BOX COVER KIT	
19	VR27041	1	CHARGER 24V 10A	
19	VS10204	1	BATTERY CHARGER 24V 13A	[1]
20	VS10125	2	CHARGER FIX BRACKET KIT	
21	VF90280	1	KIT STOCKAGE CABLE	
22	VF90277	1	POIGNEE DE REMONTEE	
23	VF90276	1	SUPPORT POIGNEE	
24	VS10126	1	CHARGER SOKET KIT	
25	VS10022	1	WARNING LABEL	
26	VS10502	1	CABLE SQUEEGEE LIFT	
27	VF89725	1	POWER LINE EU	
27	VF89726	1	CHARGING CABLE UK PLUG	[1]
29	VS10222	1	HARNESS BRUSH MOTOR	
30	VS10207	1	HARNESS CONNECTER WITH TRACTION	
31	VS10208	1	HARNESS CONTROL CIRCUIT WITH TRACTION	

Part Notes:

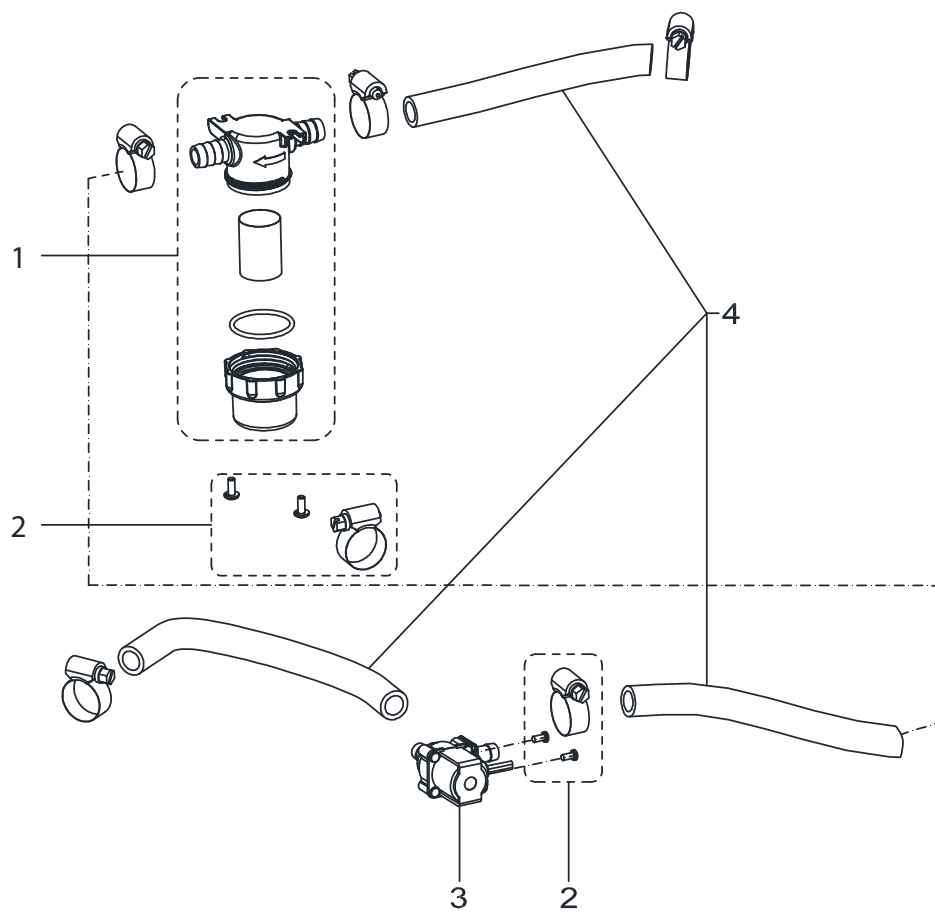
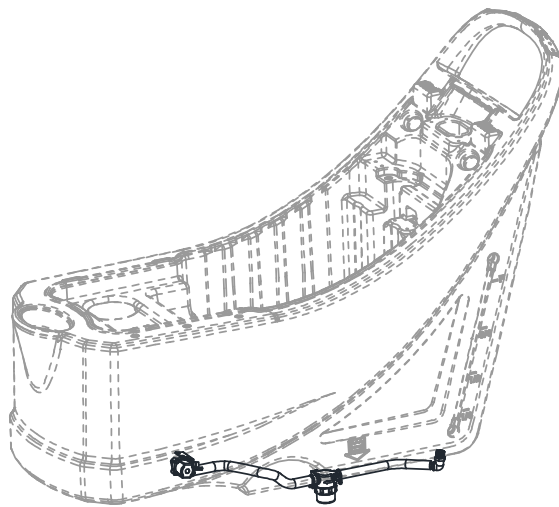
[1] - Optional



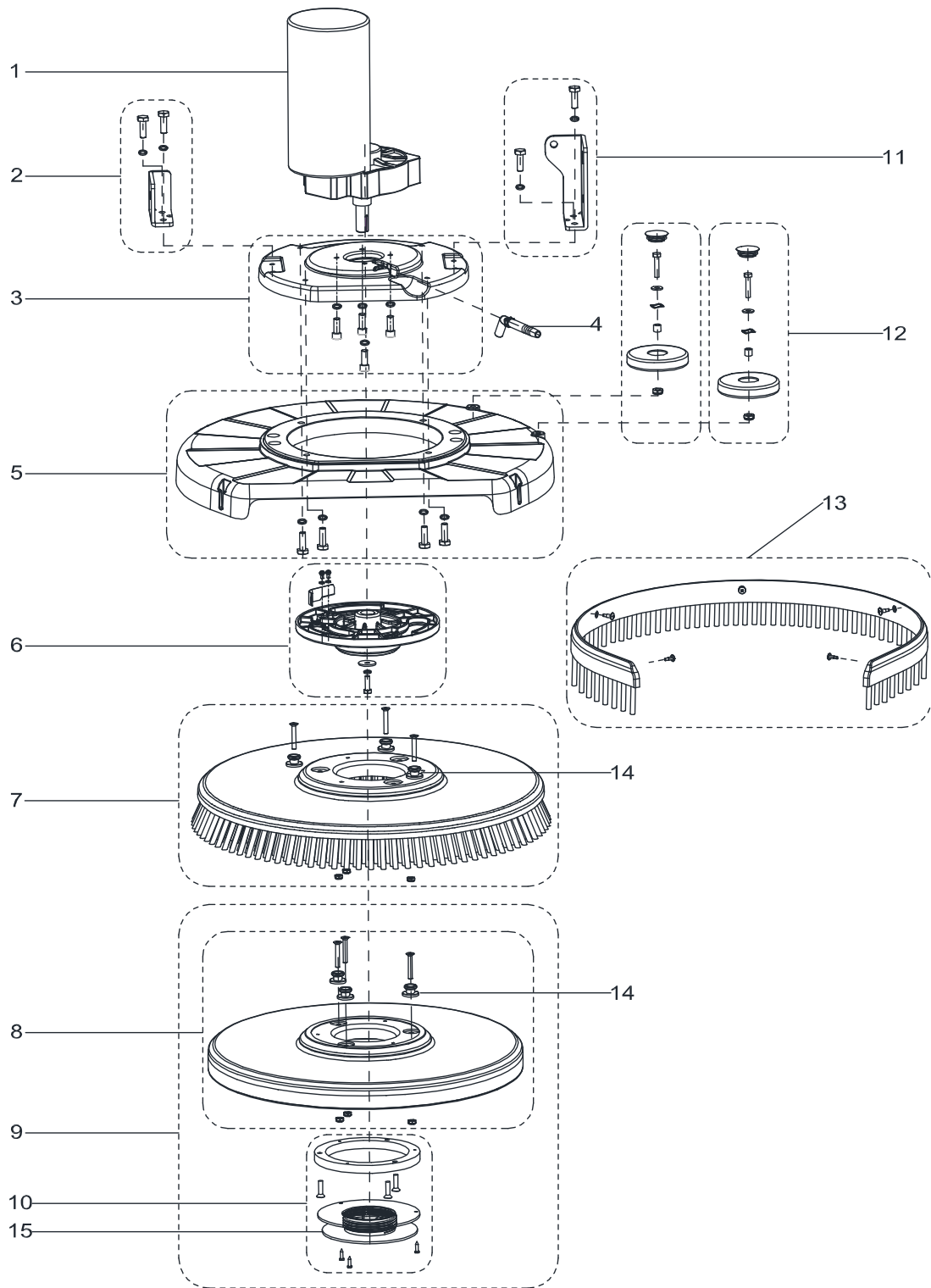
Pos.	Réf article	Qté	Désignation	Notes
1	VS10138	1	FORNT PEDAL BRUSH LIFTING KIT	
2	VS10134	1	SCREW KIT 1	
3	VS10136	2	SCREW KIT 3	
4	VS10139	1	SPRING KIT	
5	VS10140	1	BACK PEDAL BRUSH LIFTING KIT	
6	VS10141	1	PEDAL SUPPORT KIT	
7	VS10406	1	CHASSIS	
8	VS10142	2	3 INCH CASTER KIT	
9	VS10135	1	SCREW KIT 2	
10	VS10137	2	SCREW KIT 4	
11	VS10404	1	BRUSH LIFTING SUPPORT	



Pos.	Réf article	Qté	Désignation	Notes
3	VS10330	4	WHEEL-COVER	
5	VS11103	2	8INCH WHEEL KIT-TRACTION	
6	VS10147	2	TRACTION MOUNT KIT	
7	VS11702	1	MOTOR TRACTION	



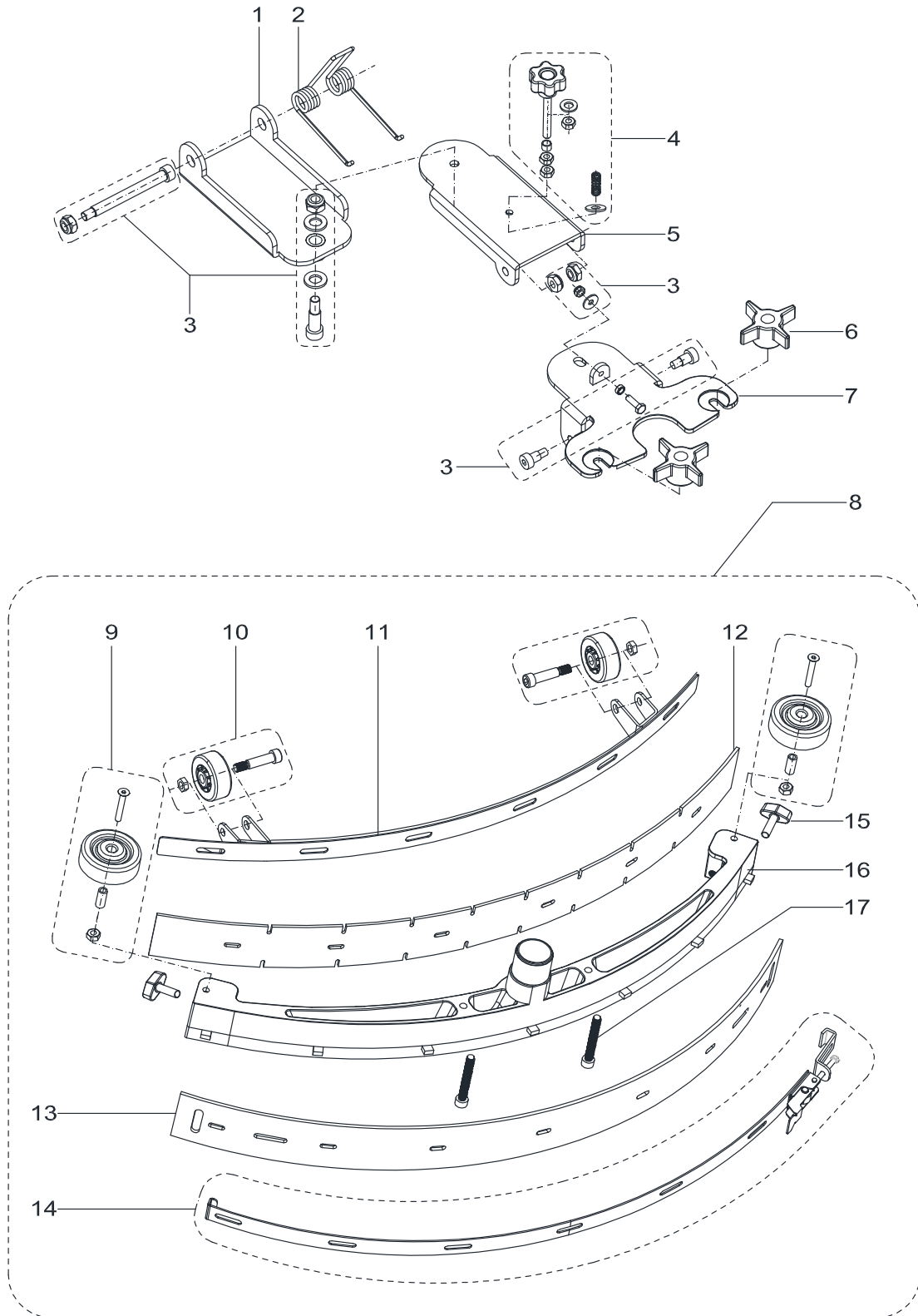
Pos.	Réf article	Qté	Désignation	Notes
1	VF90621	1	KITFILTRE	
2	VS10148	1	SCREW AND CLAMP KIT	
3	VF90282	1	KIT ELECTROVANNE	
4	VS10149	1	TUBE KIT 750MM	



Pos.	Réf article	Qté	Désignation	Notes
1	VS10702	1	BRUSH MOTOR KIT	
2	VS10132	1	SHORT CONNECTION PLATE KIT	
3	VS10128	1	MOTOR FIXING PLATE KIT	
4	VS10337	1	ELBOW	
5	VS10129	1	BRUSH DECK KIT	
6	VS10130	1	KIT CENTREUR	
7	VF90417	1	BROSSE 20'	
8	VF90416	1	SUPPORT PLATEAU 20'	[1]
9	VF90454	1	PLATEAU SUPPORT DISQUE 20 INCH	[1]
10	VS10131	1	RETAINER PAD KIT	[1]
11	VS10127	1	LONG CONNECTION PLATE KIT	
12	VS10133	2	BUMPER ROLLER KIT	
13	VS10151	1	JUPE ANTI ECLABOUSSURE	[1]
14	VF90469	3	STUD FOR BRUSH AND PAD DRIVER	
15	VF99003A	1	ENCLENCHEUR DISQUE SUR PLATEAU	

Part Notes:

[1] - Optional



Pos.	Réf article	Qté	Désignation	Notes
1	VS10401	1	FRONT SQUEEGEE SUPPORT	
2	VF82172	1	RESSORT DE BLOCAGE	
3	VS13711	1	HARDWARE SQUEEGEE SUPPORT KIT	
4	VF90141	1	KIT ADJUSTMENT	
5	VF90110	1	SUPPORT EMBOUCHURE AR	
6	VF81210	2	MOLETTE M8	
7	VF90109	1	SUPPORT EMBOUCHURE	
8	VF90135	1	EMBOUCHURE 20'	
9	VF90137	2	KIT ROULETTE DE PROTECTION	
10	VF90136	2	KIT ROUE POUR EMBOUCHURE	
11	VF90118	1	MAINTIENT AV POUR EMBOUCHURE 20'	
12	VF90119	1	LAMELLE AV 20'	
12	VF90148	1	LAMELLE AVANT PU - AS510	[1]
13	VF90120	1	LAMELLE AR 20'	
13	VF90149	1	LAMELLE ARRIERE PU - AS510	[1]
14	VF90139	1	MAINTIENT AR POUR EMBOUCHURE 20'	
15	VF85420	2	KNOB CT 476/30 S-P-M8X30 BP INOX / SS	
16	VF90117	1	EMBOUCHURE 20'	
17	VF90127	2	VIS EMBOUCHURE	

Part Notes:

[1] - Optional

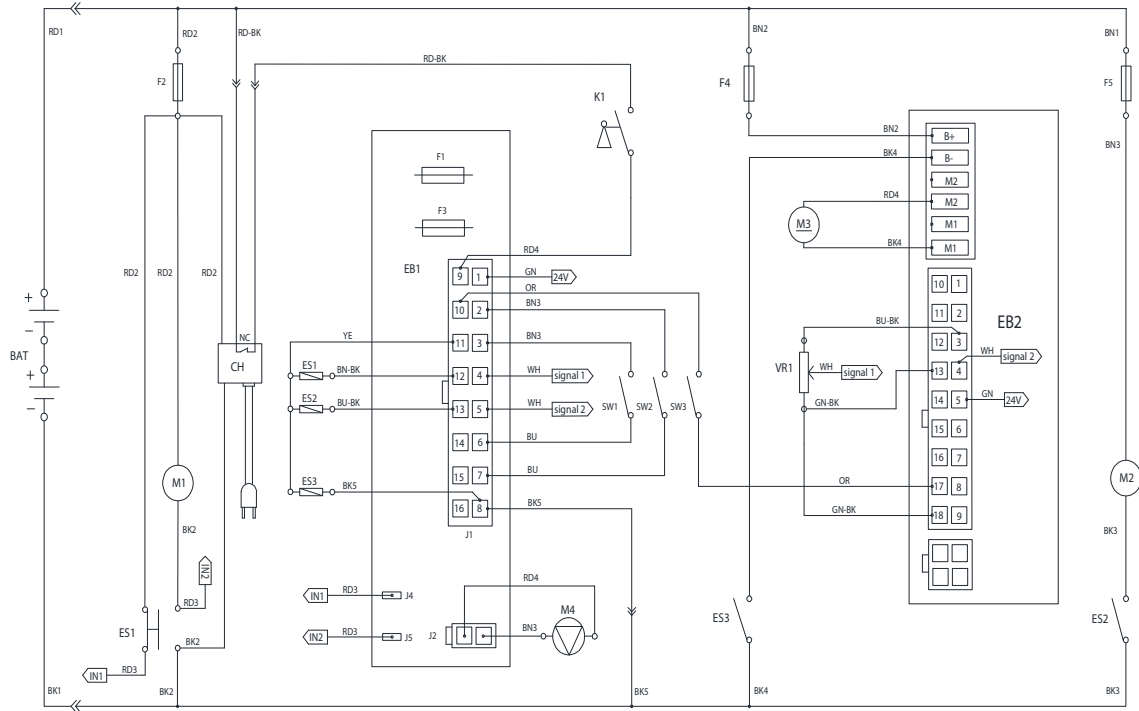
WEAR AND TEAR PARTS

AS5160T

2015.05.19

2016.04.21

Pos.	Réf article	Qté	Désignation	Notes
1	VS10603	1	GASKET-DRAIN HOSE	
2	VS10601	1	SUCTION HOSE	
3	VS10102	1	FILTER COVER KIT	
4	VS10202	3	SWITCH	
5	VS10109	1	WATER LEVEL PIPE KIT	
6	VF90536	1	COUVERCLE EXTERNE EAU	
7	VS10110	1	ELBOW ADAPTOR KIT	
8	VF90534	1	KIT FLOTTEUR	
9	VF90520	1	MOTEUR ASPIRATION	
10	VF90504	1	JOINT	
11	VS10114	1	RETAINER-RECOVERY TANK LID	
12	VS10602	1	DRAIN HOSE- DIA.38MM	
13	VS10203	1	CONTROL PANEL BOARD	
14	9100001354	1	INTER A CLE AVEC BOUCHON	
15	VS10230	2	RELAY 24V KIT	
16	VS10231	1	ELECTROMAGNETIC SWITCH KIT	
17	VS11202	1	WIRE HARNESS KIT WITH TRACTION	
18	VS11201	1	CIRCUIT BREAKER KIT WITH TRACTION	
19	VS10232	1	CIRCUIT BREAKER KIT	
20	VS10209	1	ELECTRONIC BOARD TRACTION SYSTEM	
21	VR27041	1	CHARGER 24V 10A	
22	VS10502	1	CABLE SQUEEGEE LIFT	
23	VS10142	2	3 INCH CASTER KIT	
25	VS11103	2	8INCH WHEEL KIT-TRACTION	
26	VS11702	1	MOTOR TRACTION	
27	VF90621	1	KITFILTRE	
28	VF90282	1	KIT ELECTROVANNE	
29	VS10702	1	BRUSH MOTOR KIT	
30	VS10337	1	ELBOW	
31	VF90417	1	BROSSE 20'	
32	VF90454	1	PLATEAU SUPPORT DISQUE 20 INCH	
33	VS10133	2	BUMPER ROLLER KIT	
34	VF90141	1	KIT ADJUSTMENT	
35	VF81210	2	MOLETTE M8	
36	VF90137	2	KIT ROULETTE DE PROTECTION	
37	VF90136	2	KIT ROUE POUR EMBOUCHURE	
38	VF90119	1	LAMELLE AV 20'	
39	VF90120	1	LAMELLE AR 20'	
40	VF85420	2	KNOB CT 476/30 S-P-M8X30 BP INOX / SS	



Pos.	Réf article	Qté	Désignation	Notes
BAT		1	24V BATTERIES	
CH	VS10204	1	BATTERY CHARGER 24V 13A	
EB1	VS10203	1	CONTROL PANEL BOARD	
EB2	VS10209	1	ELECTRONIC BOARD TRACTION SYSTEM	
ES1	909 5127 000	1	RELAIS DE BROSSE 24 VOLTS	
ES2	VS10201	1	RELAY 24V	
ES3	VS10201	1	RELAY 24V	
F1	VS13208	1	LOW POWER CIRCUIT FUSE	
F2	ZD48320	1	CIRCUIT BREAKER 30A	
F3	VS13209	1	BRUSH RELEASE FUSE	
F4	VF99012	1	DISJONCTEUR	
F5	ZD48320	1	CIRCUIT BREAKER 30A	
K1	9100001354	1	INTER A CLE AVEC BOUCHON	
M1	VS10702	1	BRUSH MOTOR KIT	
M2	VF90520	1	MOTEUR ASPIRATION	
M3	VS11702	1	MOTOR TRACTION	
EV	VF90282	1	KIT ELECTROVANNE	
SW1	VS10202	1	SWITCH	
SW2	VS10202	1	SWITCH	
SW3	VS10202	1	SWITCH	
VR1	VS10213	1	POTENTIOMETER	

