

AS380/15B-EU/UK
AS380/15C-EU/UK

PARTS LIST

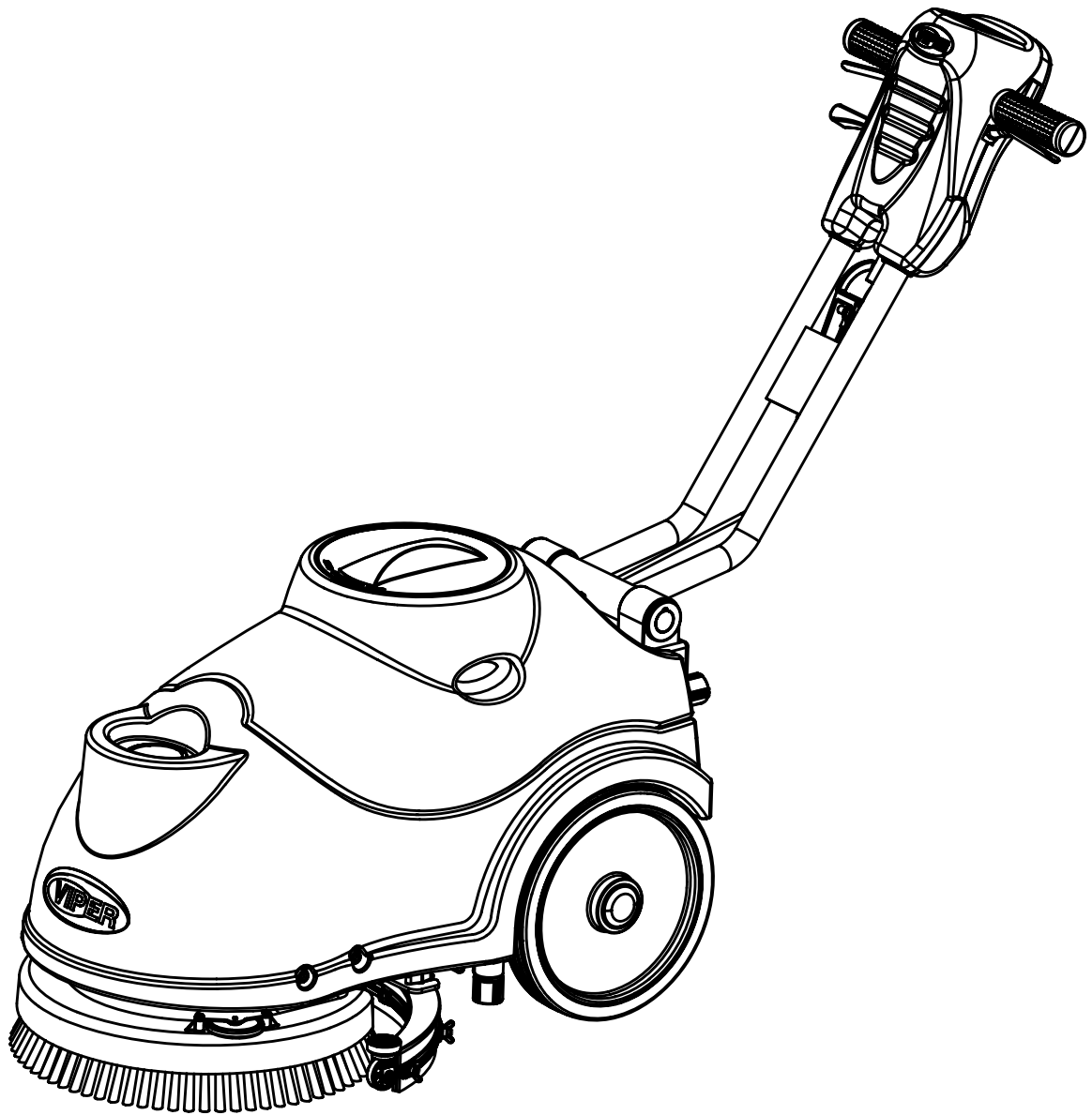


TABLE OF CONTENTS

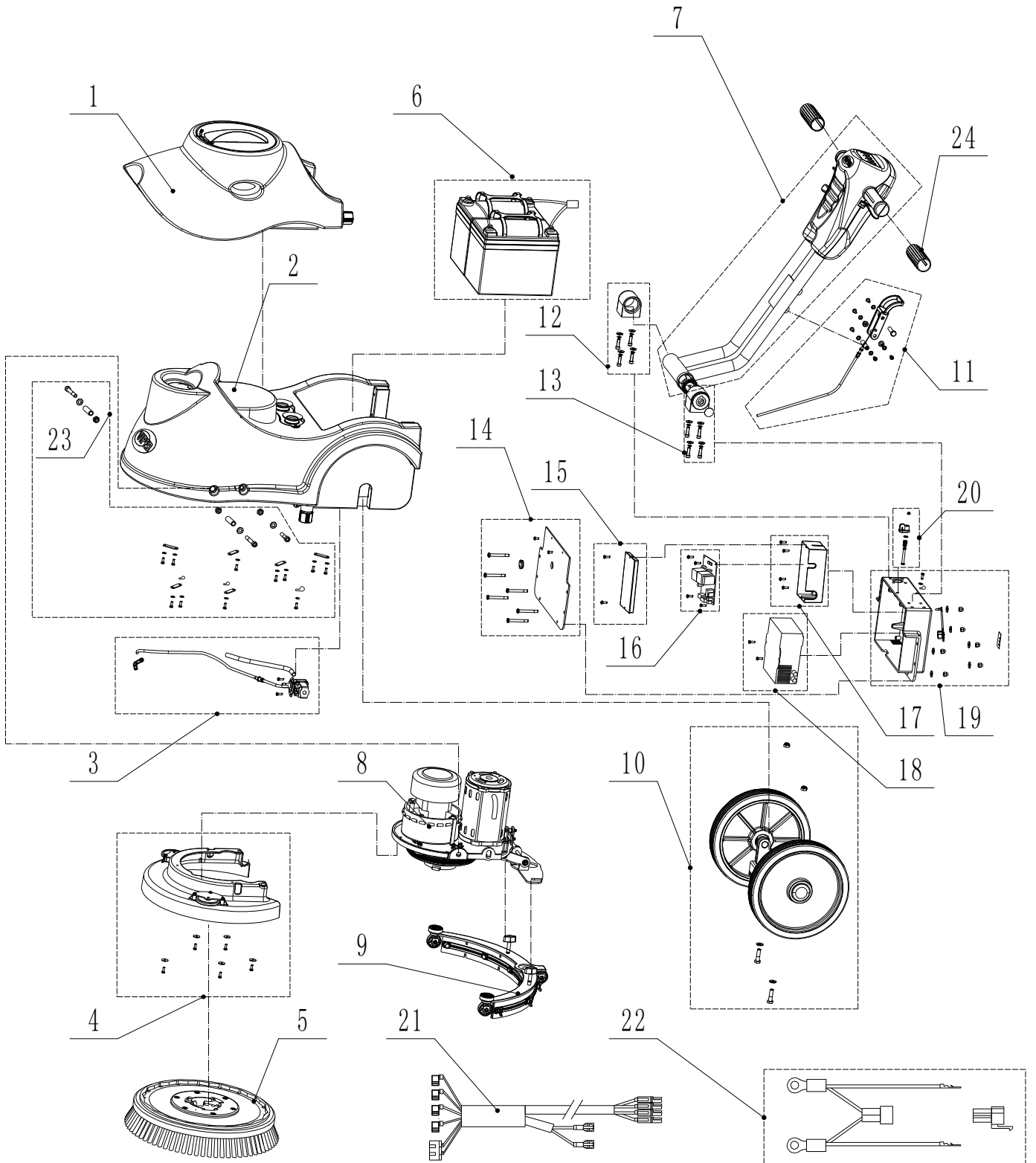
Description	Page
AS380/15B-EU/UK OVERALL ASSEMBLY	1--2
AS380/15C-EU/UK OVERALL ASSEMBLY	3--4
AS380/15B-EU/UK SOLUTION TANK ASSEMBLY	5--6
AS380/15C-EU/UK SOLUTION TANK ASSEMBLY	
AS380/15B-EU/UK MOTOR FIXING PLATE ASSEMBLY	7--8
AS380/15C-EU/UK MOTOR FIXING PLATE ASSEMBLY	
AS380/15B-EU/UK BRUSH ASSEMBLY	9--10
AS380/15C-EU/UK BRUSH ASSEMBLY	
AS380/15B-EU/UK HANDLE CONTROL ASSEMBLY	11--12
AS380/15C-EU/UK HANDLE CONTROL ASSEMBLY	
AS380/15B-EU/UK HANDLE CONTROL ASSEMBLY	13--14
AS380/15C-EU/UK HANDLE CONTROL ASSEMBLY	
AS380/15B-EU/UK RECOVERY TANK ASSEMBLY	15--16
AS380/15C-EU/UK RECOVERY TANK ASSEMBLY	
AS380/15B-EU/UK SQUEEGEE ASSEMBLY	17--18
AS380/15C-EU/UK SQUEEGEE ASSEMBLY	
WEAR AND TEAR PARTS	19

WHEN ORDERING PARTS

- * Use the 7, 8 or 9 sign from the "Part No." columns in this parts list.
- * Specify the model and serial number of the machine.
- * Use the space below to record the model and serial number for future reference.

Model _____ Serial No. _____

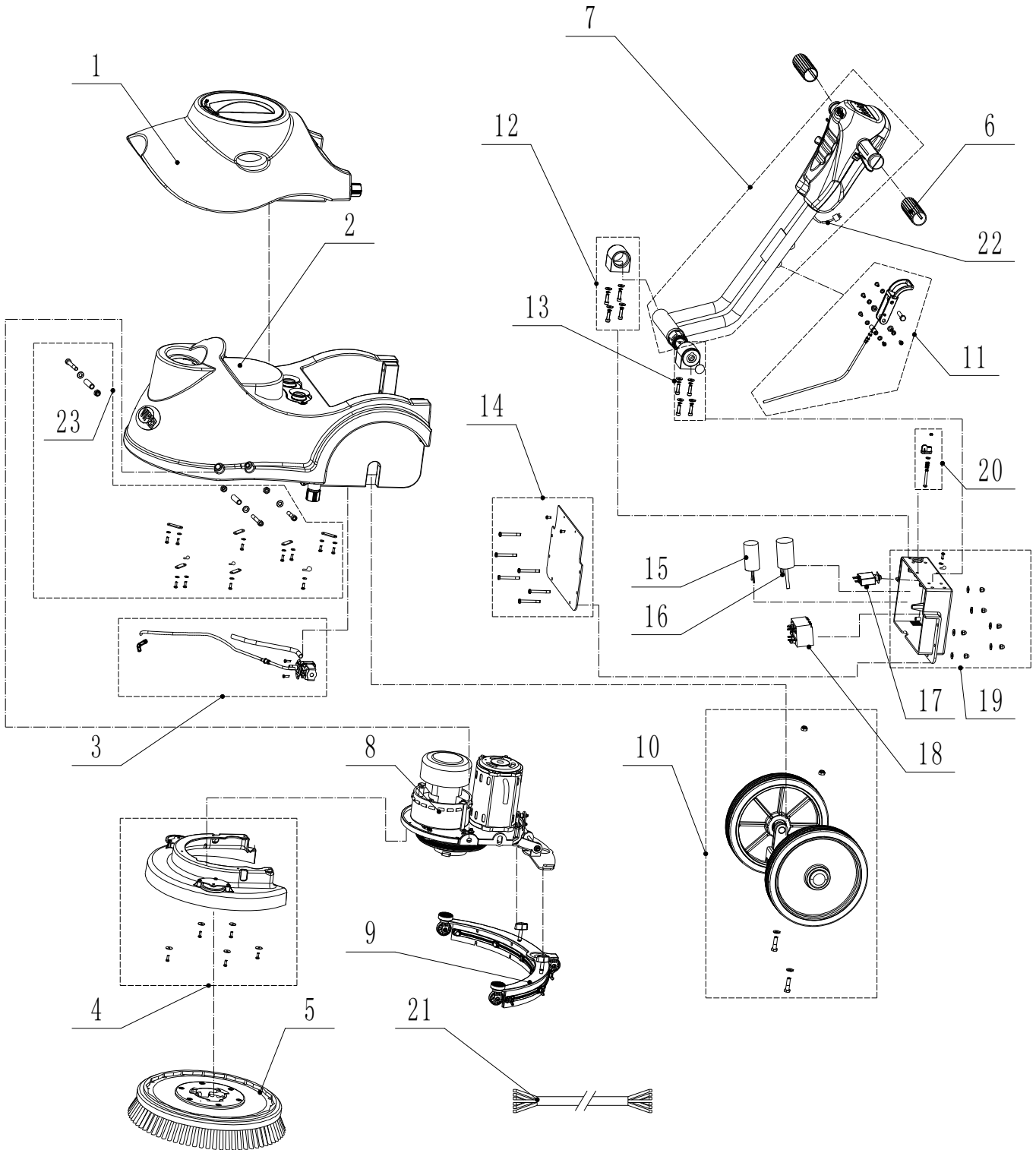
AS380/15B-EU/UK OVERALL ASSEMBLY



AS380/15B-EU/UK OVERALL ASSEMBLY

Item	Part No.	Description	Qty
1	VF89700	KIT RECOVERY TANK 15L	1
2	VF89100	KIT SOLUTION TANK 15L	1
3	VF89033A	KIT SOLENOID WALVE 24V	1
4	VF89400	KIT BRUSH DECK PP	1
5	VF89800	KIT BRUSH 15 INCH	1
6	VF89039	KIT BATTERY 24V AGM	1
7	VF89600	KIT HANDLE ASSEMBLY	1
8	VF89300	VACUUM AND BRUSH MOTOR ASSEMBLY	1
9	VF89500	KIT SQUEEGEE ALUMINUM	1
10	VF89200	KIT WHEEL AND AXLE	1
11	VF89007A	KIT LIFT CABLE SQUEEGEE	1
12	VF89002A	KIT FIXING BLOCK RIGHT	1
13	VF89001A	KIT FIXING BLOCK LEFT	1
14	VF89006A	COVER HOUSING CIRCUIT	1
15	VF89054A	KIT COVER PCB HOUSING	1
16	VF89025A	KIT MAIN CONTROL CIRCUIT BOARD	1
17	VF89053A	KIT PCB HOUSING	1
18	VF89023EU	KIT CHARGER 24VDC 50-60HZ	1
	VF89023UK	KIT CHARGER 24VDC 50-60HZ	1
19	VF89003A	KIT CIRCUIT BOX ALUMINUM	1
20	VF89004A	KIT LOCK RECOVERY TANK	1
21	VF89026	WIRE HARNESS MOTOR	1
22	VF89022	MAIN POWER CABLE 320MM	1
23	VF89303A	KIT WASHER SCREW AND BUSHING SOLUTION TANK	1
24	VF89012	HANDLE GRIP RUBBER	2

AS380/15C-EU/UK OVERALL ASSEMBLY

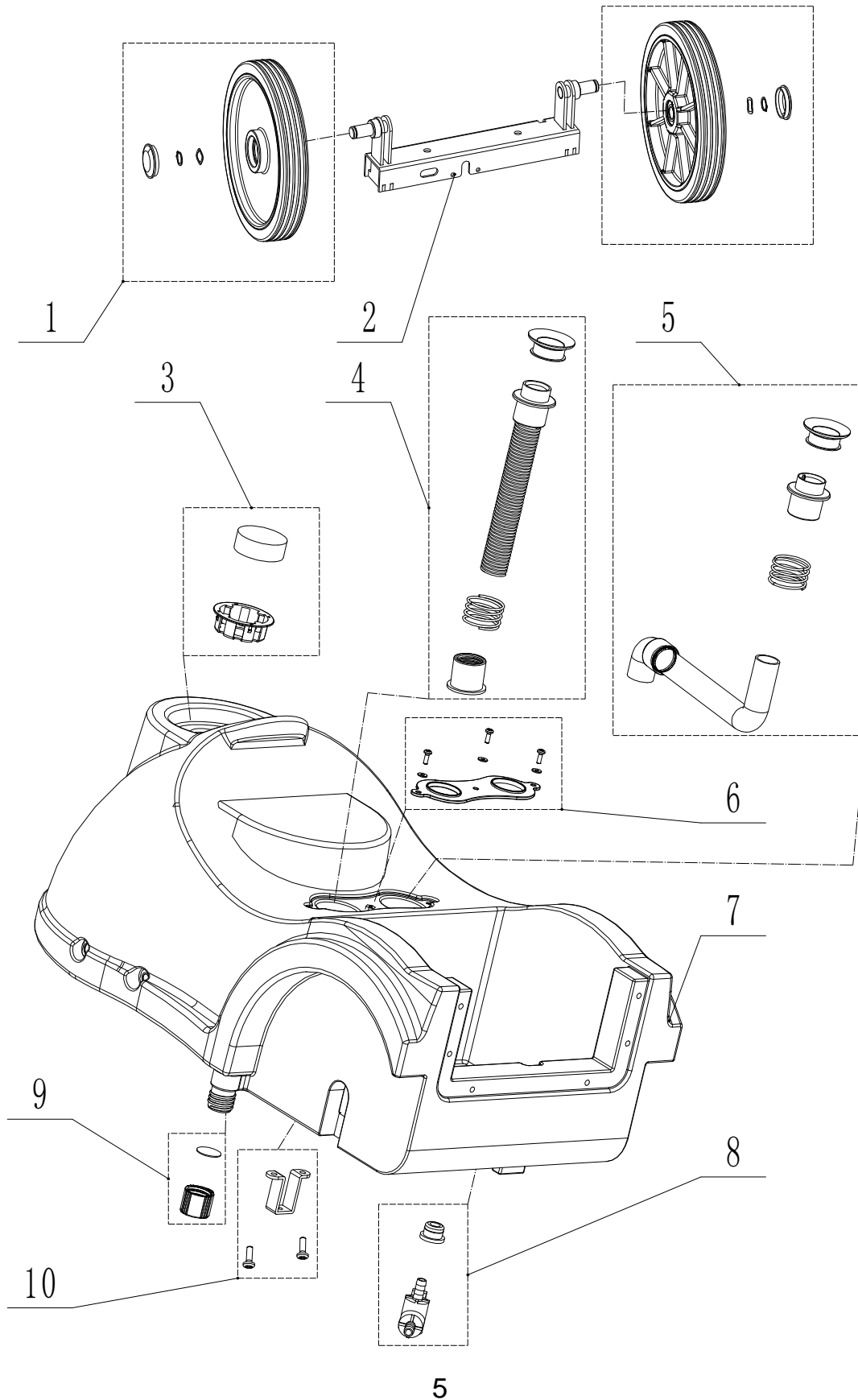


AS380/15C-EU/UK OVERALL ASSEMBLY

Item	Part No.	Description	Qty
1	VF89700	KIT RECOVERY TANK 15L	1
2	VF89100	KIT SOLUTION TANK 15L	1
3	VF89033B	KIT SOLENOID WALVE 220V	1
4	VF89400	KIT BRUSH DECK PP	1
5	VF89800	KIT BRUSH 15 INCH	1
6	VF89012	HANDLE GRIP RUBBER	2
7	VF89600C	KIT HANDLE ASSEMBLY INCL. POWER CORD	1
8	VF89300	VACUUM AND BRUSH MOTOR ASSEMBLY	1
9	VF89500	KIT SQUEEGEE ALUMINUM	1
10	VF89200	KIT WHEEL AND AXLE	1
11	VF89007A	KIT LIFT CABLE SQUEEGEE	1
12	VF89002A	KIT FIXING BLOCK RIGHT	1
13	VF89001A	KIT FIXING BLOCK LEFT	1
14	VF89006B	CIRCUIT COVER PLATE	1
15	VF89041-1	RUN CAPACITOR 6.3uF/450V	1
16	VF89041-2	START CAPACITOR 20uF/250V	1
17	VF89040	BREAKER CIRCUIT 6AMP	1
18	VF89041-3	RELAY FLA 16A 277V 50HZ/RES 35A 277V	1
19	VF89003B	KIT CIRCUIT BOX	1
20	VF89004A	KIT LOCK RECOVERY TANK	1
21	VF89044C	WIRE HARNESS MOTOR	1
22	VF89043-EU	POWER CORD H05VV-F 3X1.0MM2 15M ORANGE	1
23	VF89303A	KIT WASHER SCREW AND BUSHING SOLUTION TANK	1

AS380/15B-EU/UK SOLUTION TANK ASSEMBLY

AS380/15C-EU/UK SOLUTION TANK ASSEMBLY



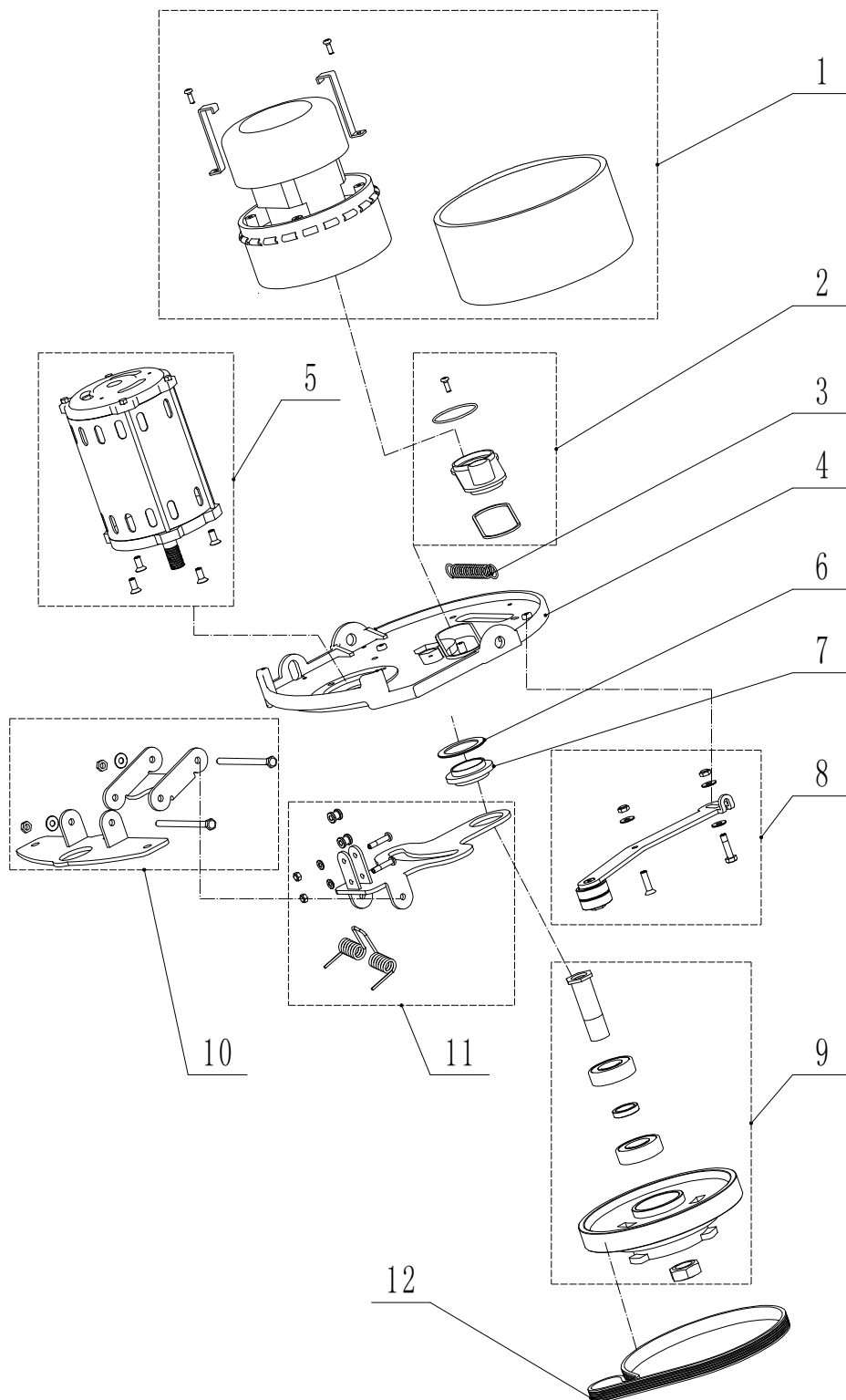
AS380/15B-EU/UK SOLUTION TANK ASSEMBLY

AS380/15C-EU/UK SOLUTION TANK ASSEMBLY

Item	Part No.	Description	Qty
1	VF89202A	KIT WHEEL 10 INCH PLASTIC	2
2	VF89201	KIT AXLE WHEEL METAL	1
3	VF89113A	KIT FILTER WATER IN-LET	1
4	VF89105A	KIT SUCTION HOSE DIRTY WATER	1
5	VF89104A	KIT VACUUM HOSE PLASTIC	1
6	VF89106A	KIT FIXING PLATE HOSE PLASTIC	1
7	VF89101A	KIT SOLUTION TANK 15L LLDPE	1
8	VF89111	KIT SOLUTION CONTROL SWITCH	1
9	VF89110A	KIT DRAIN WATER	1
10	VF89112A	CABLE LIFT FIXING	1

AS380/15B-EU/UK MOTOR FIXING PLATE ASSEMBLY

AS380/15C-EU/UK MOTOR FIXING PLATE ASSEMBLY



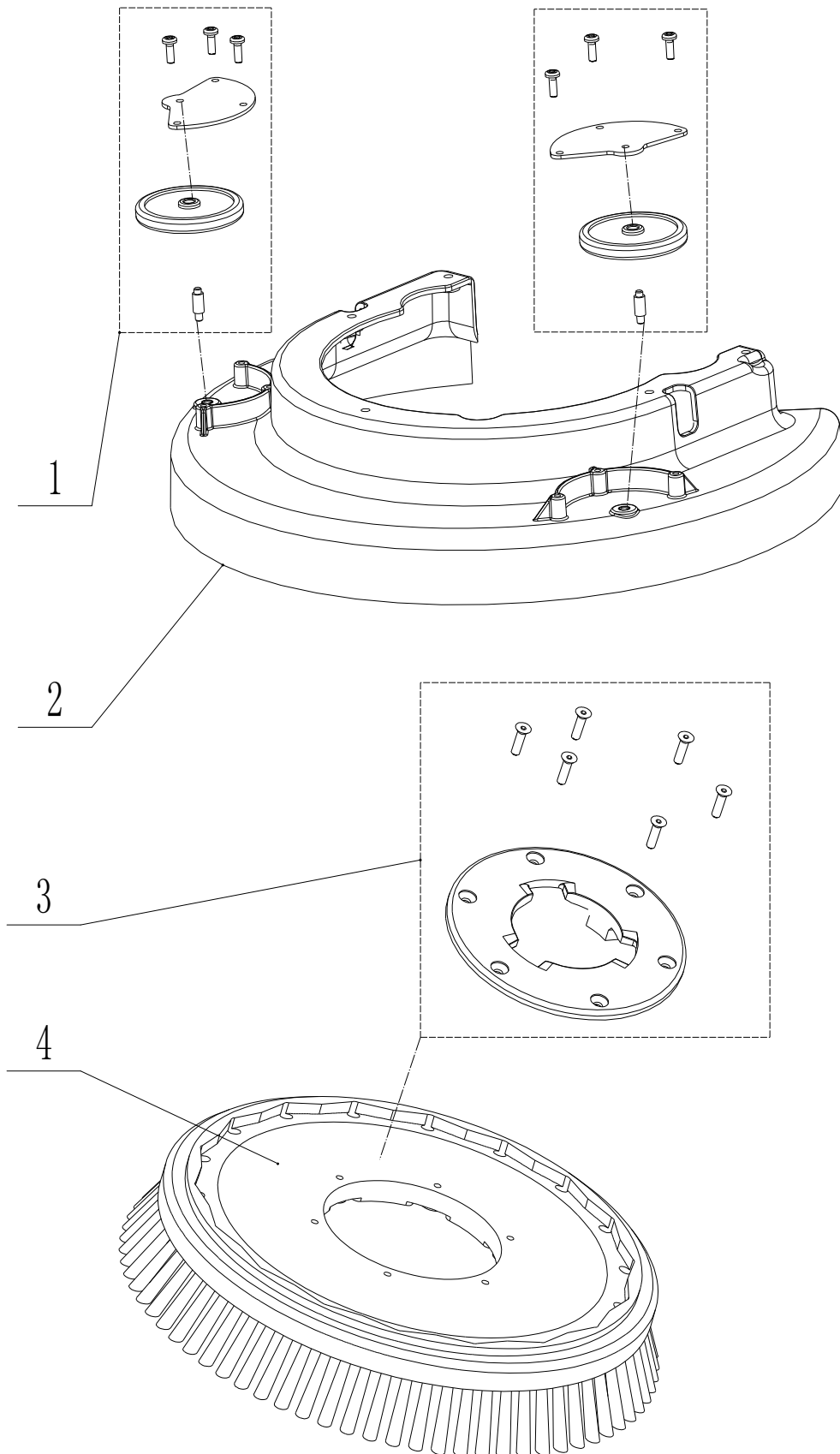
AS380/15B-EU/UK MOTOR FIXING PLATE ASSEMBLY

AS380/15C-EU/UK MOTOR FIXING PLATE ASSEMBLY

Item	Part No.	Description	Qty
1B	VF89309B	KIT VACCUM MOTOR 24V 250W 10A	1
1C	VF89309C	KIT VACCUM MOTOR 220V-240V 250W 1.1A	1
2	VF89306A	KIT VACUUM SEALING	1
3	VF89318	SPRING 65MN	1
4	VF89301	SEAT MOTOR ALUMINUM	1
5B	VF89302B	KIT BRUSH MOTOR 24V 250W 15A	1
5C	VF89041C	KIT BRUSH MOTOR 220V-240V 250W 1.8A	1
6	VF89311	WASHER SST 50x1.5MM	1
7	VF89319	BUSHING BRACKET BRONZE	1
8	VF89314A	KIT BELT ADJUSTING HARDWARE	1
9	VF89321A	KIT PULLEY BELT	1
10	VF89324A	KIT BRACKET SQUEEGEE LIFT	1
11	VF89312A	KIT SQUEEGEE LEFT AND RIGHT BRACKET	1
12	VF89323	DRIVING BELT PJ270	1

AS380/15B-EU/UK BRUSH ASSEMBLY

AS380/15C-EU/UK BRUSH ASSEMBLY

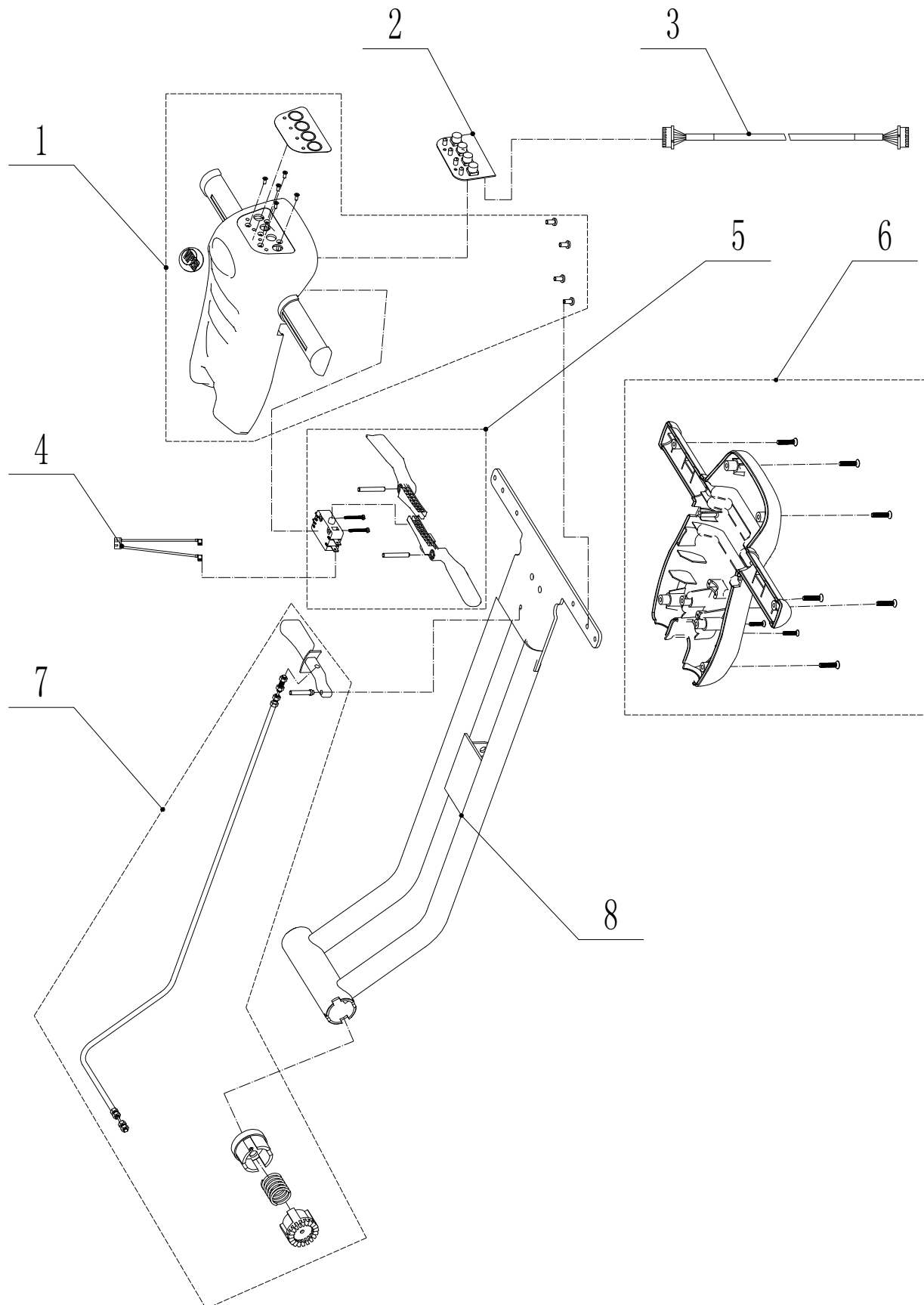


AS380/15B-EU/UK BRUSH ASSEMBLY

AS380/15C-EU/UK BRUSH ASSEMBLY

Item	Part No.	Description	Qty
1	VF89402A	KIT WHEEL BUMPER 60MM	2
2	VF89401	DECK BRUSH PP	1
3	VF89803A	KIT CLUTCH BRUSH PA INCL.SCREWS	1
4	VF89801	BRUSH 15INCH PLASTIC	1

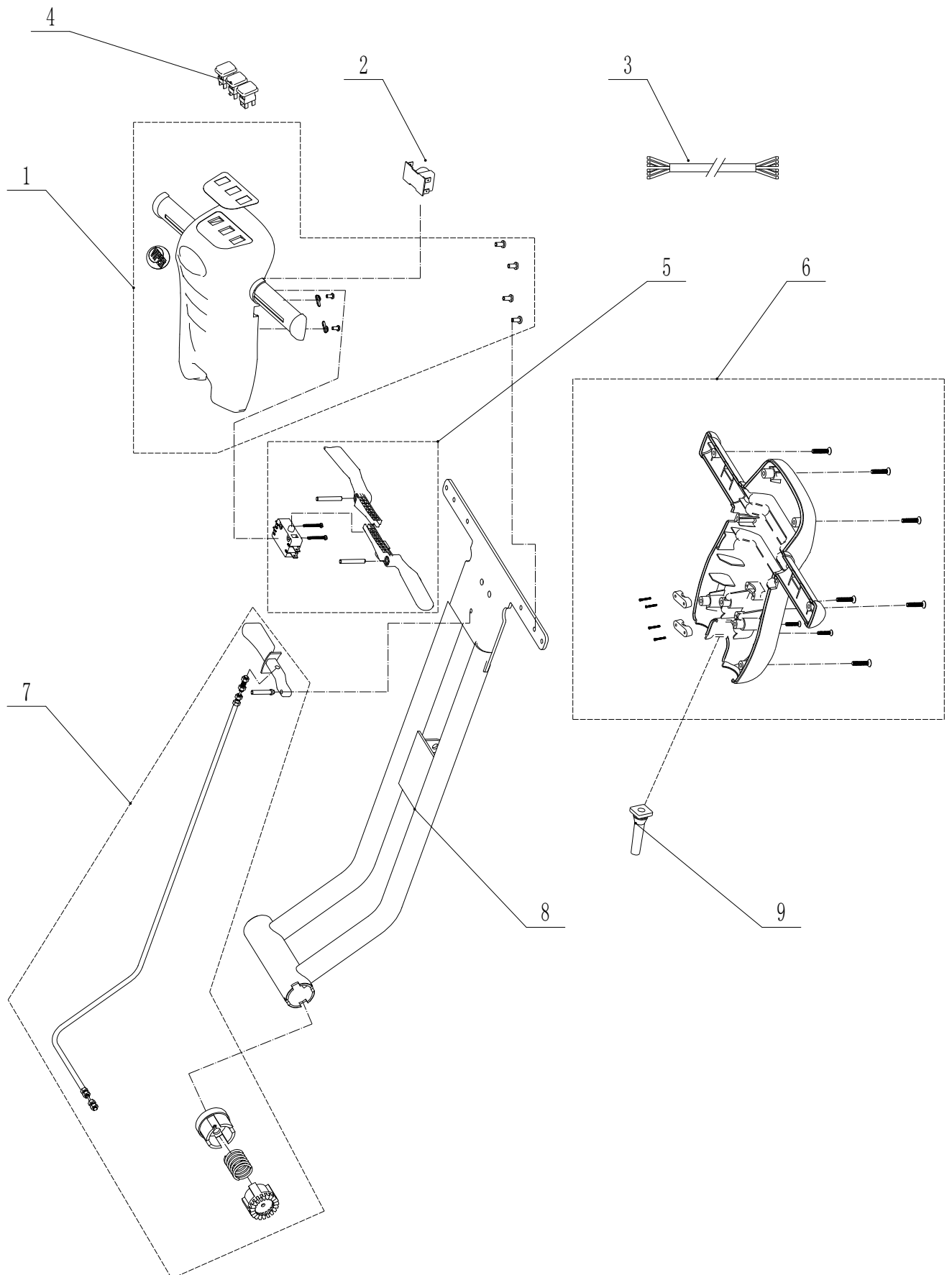
AS380/15B-EU/UK HANDLE CONTROL ASSEMBLY



AS380/15B-EU/UK HANDLE CONTROL ASSEMBLY

Item	Part No.	Description	Qty
1	VF89608B	KIT CONTROL HOUSING FRONT	1
2	VF89025-4	BOARD CONTROL PANEL	1
3	VF89025-3	COMMUNICATION WIRE	1
4	VF89620	CONNECTION WIRE SWITCH	1
5	VF89615A	KIT TRIGGER AND SWITCH	1
6	VF89618B	KIT CONTROL HOUSING REAR	1
7	VF89610A	KIT HANDLE RELEASE	1
8	VF89601	HANDLE METAL	1

AS380/15C-EU/UK HANDLE CONTROL ASSEMBLY

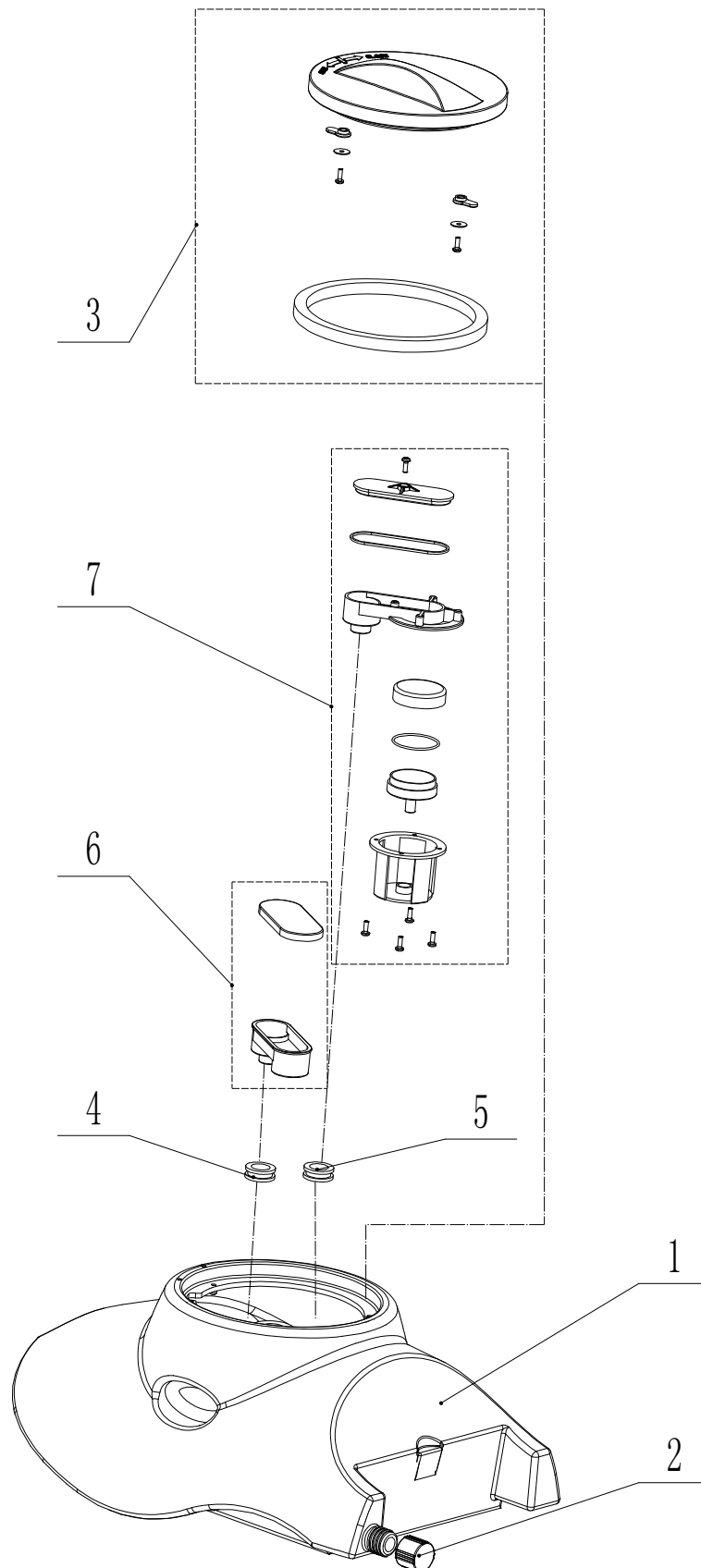


AS380/15C-EU/UK HANDLE CONTROL ASSEMBLY

Item	Part No.	Description	Qty
1	VF89625C	KIT FRONT CONTROL HOUSING	1
2	VA41028C	ELECTRO MAGNETIC INTERFERENCE	1
3	VF89044D	KIT CONTROL WIRE	1
4	VF89623	SWITCH CONTROL	3
5	VF89615A	KIT TRIGGER AND SWITCH	1
6	VF89627C	KIT REAR CONTROL HOUSING	1
7	VF89610A	KIT HANDLE RELEASE	1
8	VF89601	HANDLE METAL	1
9	VA21521	BUSHING STRAIN RELEASE WIRE	1

AS380/15B-EU/UK RECOVERY TANK ASSEMBLY

AS380/15C-EU/UK RECOVERY TANK ASSEMBLY



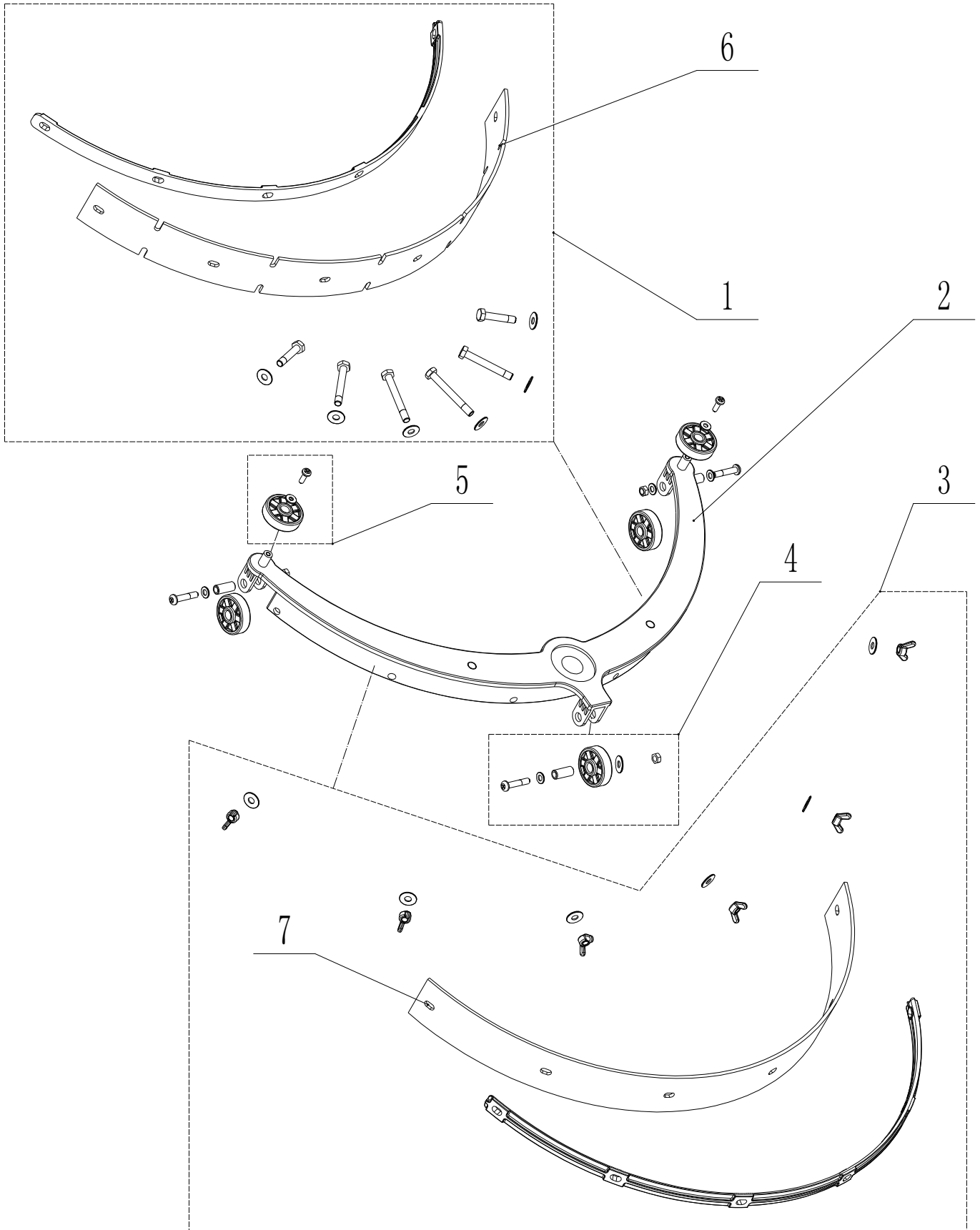
AS380/15B-EU/UK RECOVERY TANK ASSEMBLY

AS380/15C-EU/UK RECOVERY TANK ASSEMBLY

Item	Part No.	Description	Qty
1	VF89701	RECOVERY TANK LLDPE	1
2	VF89110A	KIT DRAIN WATER	1
3	VF89716	KIT COVER RECOVERY TANK	1
4	VF89702-1	BUSHING TANK RUBBER BLACK	1
5	VF89702-2	BUSHING TNAK RUBBER GREY	1
6	VF89703	KIT RECOVERY IN-LET	1
7	VF89707	KIT VACCUM RECOVERY TANK	1

AS380/15B-EU/UK SQUEEGEE ASSEMBLY

AS380/15C-EU/UK SQUEEGEE ASSEMBLY



AS380/15B-EU/UK SQUEEGEE ASSEMBLY

AS380/15C-EU/UK SQUEEGEE ASSEMBLY

Item	Part No.	Description	Qty
1	VF89502A	KIT SQUEEGEE BLADE FRONT	1
2	VF89501	SQUEEGEE BRACKET	1
3	VF89503A	KIT SQUEEGEE BLADE REAR	1
4	VF89506A	KIT WHEEL SQUEEGEE	3
5	VF89506B	KIT WHEEL SQUEEGEE PROTECTION	2
6	VF89502	BLADE SQUEEGEE FRONT	1
7	VF89503	BLADE SQUEEGEE REAR	1

WEAR AND TEAR PARTS

Item	Part No.	Description	Qty
1	VF89033A	KIT SOLENOID WALVE 24V	1
2	VF89039	KIT BATTERY 24V AGM	1
3	VF89007A	KIT LIFT CABLE SQUEEGEE	1
4	VF89025A	KIT MAIN CONTROL CIRCUIT BOARD	1
5	VF89023A	KIT CHARGER 24VDC 50-60HZ	1
6	VF89303A	KIT WASHER SCREW AND BUSHING SOLUTION TANK	1
7	VF89012	HANDLE GRIP RUBBER	2
8	VF89202A	KIT WHEEL 10 INCH PLASTIC	2
9	VF89105A	KIT SUCTION HOSE DIRTY WATER	1
10	VF89104A	KIT VACUUM HOSE PLASTIC	1
11	VF89111	KIT SOLUTION CONTROL SWITCH	1
12	VF89110A	KIT DRAIN WATER	1
13	VF89309B	KIT VACCUM MOTOR 24V 250W 10A	1
14	VF89309C	KIT VACCUM MOTOR 220V-240V 250W 1.1A	1
15	VF89302B	KIT BRUSH MOTOR 24V 250W 15A	1
16	VF89041C	KIT BRUSH MOTOR 220V-240V 250W 1.8A	1
17	VF89314A	KIT BELT ADJUSTING HARDWARE	1
18	VF89323	DRIVING BELT PJ270	1
19	VF89402A	KIT WHEEL BUMPER 60MM	2
20	VF89401	DECK BRUSH PP	1
21	VF89803A	KIT CLUTCH BRUSH PA INCL.SCREWS	1
22	VF89801	BRUSH 15INCH PLASTIC	1
23	VF89025-4	BOARD CONTROL PANEL	1
24	VF89025-3	COMMUNICATION WIRE	1
25	VF89620	CONNECTION WIRE SWITCH	1
26	VF89615A	KIT TRIGGER AND SWITCH	1
27	VF89610A	KIT HANDLE RELEASE	1
28	VF89701	RECOVERY TANK LLDPE	1
29	VF89716	KIT COVER RECOVERY TANK	1
30	VF89702-1	BUSHING TANK RUBBER BLACK	1
31	VF89702-2	BUSHING TNAK RUBBER GREY	1
32	VF89703	KIT RECOVERY IN-LET	1
33	VF89707	KIT VACCUM RECOVERY TANK	1
34	VF89506A	KIT WHEEL SQUEEGEE	1
35	VF89506B	KIT WHEEL SQUEEGEE PROTECTION	1
36	VF89502	BLADE SQUEEGEE FRONT	1
37	VF89503	BLADE SQUEEGEE REAR	1
38	VF89033B	KIT SOLENOID WALVE 220V	1
39	VF89041-1	RUN CAPACITOR 6.3uF/450V	1
40	VF89041-2	START CAPACITOR 20uF/250V	1
41	VF89040	BREAKER CIRCUIT 6AMP	1
42	VF89041-3	RELAY FLA 16A 277V 50HZ/RES 35A 277V	1
43	VF89044C	WIRE HARNESS MOTOR	1
44	VF89043-EU	POWER CORD H05VV-F 3X1.0MM2 15M ORANGE	1
45	VA41028C	ELECTRO MAGNETIC INTERFERENCE	1
46	VF89044D	KIT CONTROL WIRE	1
47	VF89623	SWITCH CONTROL	1
48	VA21521	BUSHING STRAIN RELEASE WIRE	1

Company information:
www.vipercleaning.eu
info-eu@vipercleaning.com

