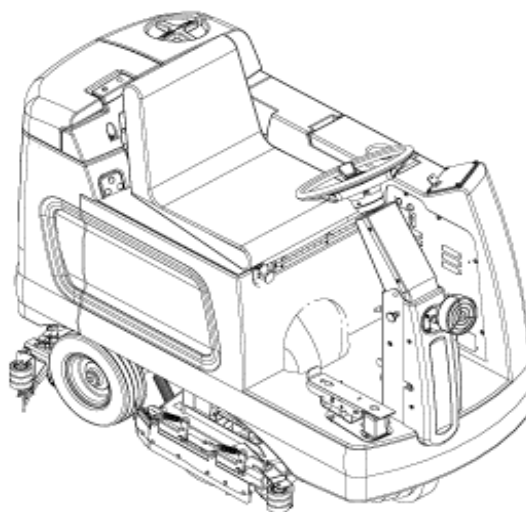


BR 700

Model:
BR 700
BR 700 C
BR 700 C-XL



Part List US-English

03-04-2010

Table of Contents

BR 700

Chassis system	3
Drive pedal assembly	5
Steering assembly	7
Front wheel assembly	10
Decal system	12
Scrub system (disc)	14
Scrub system left skirt assembly (disc)	18
Scrub system right skirt assembly (disc)	20
Scrub system (cylindrical)	22
Scrub system left skirt assembly (cylindrical)	26
Scrub system right skirt assembly (cylindrical)	28
Solution system	30
Recovery system	32
Squeegee system	34
Squeegee assembly	36
Electrical system	39
Optional kits	42
Optional kits	44
Optional kits	46
Wiring diagram	48
Brush selector guide (disc)	50
Brush selector guide (cylindrical)	52
56412223 - Vacuum Wand Caddy Kit with inserts A	54
56412223 - Vacuum Wand Caddy Kit without inserts A	56
56412464 - Spindle Repair Kit	58

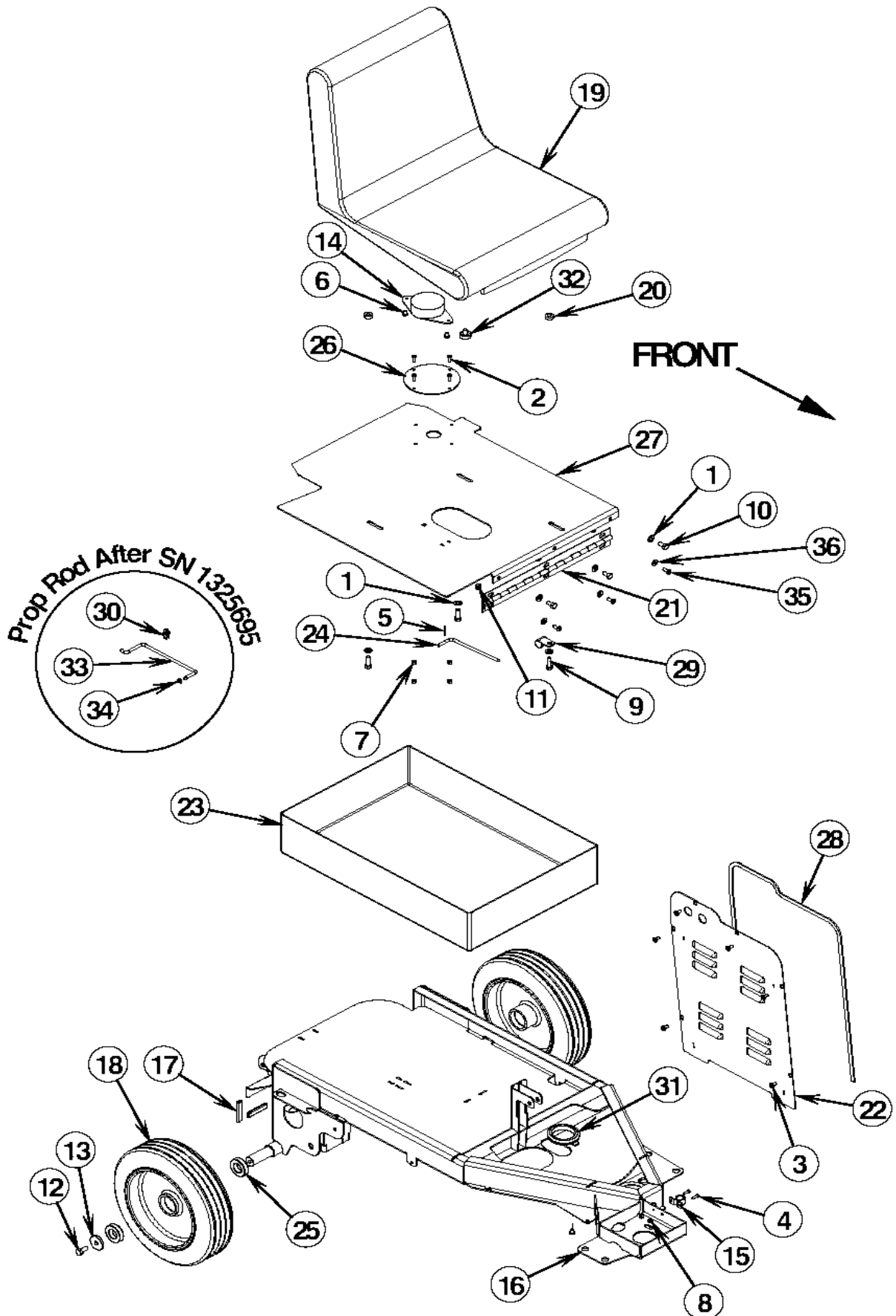
Chassis system

BR 700

03-04-2010

Part List ID
E6912

3



Chassis system

BR 700

03-04-2010

Part List ID E6912

4

Pos	Part no.	Qty	Description	EAN
0	56109306	1	SEAT BELT KIT	
0	56420143	1	ARMREST KIT	
1	56001939	6	WSH FLT SAE 5/16	
2	56002124	4	SCREW10 24 X .62 PNH PH	
3	56002145	6	SCR PAN PHIL 1/4 20 X .50	
4	56002146	2	SCR PAN PHIL 8 32 X .62	
5	56002763	1	PIN SPR .12 X 1.12	
6	56002462	2	SCR PAN PHIL 1/4 20 X .38	
7	56002832	4	NUT HEX NYL LOC THIN 10 24	
8	56002877	2	NUT HEX NYL LOC SS 8 32	
9	56003073	3	SCR HEX LOC 5/16 18 X 1.00	
10	56003178	3	SCR HEX THD TO HD M8 1.25X16MM	
11	56003389	3	NUT HEX NYL LOC M8X1.25	
12	56003442	2	SCR HEX LOC M10 1.50X20MM	
13	56367117	2	WSH FLT STEEL .406CV31C	
14	56409613	1	SWITCH SEAT	
15	56412059	1	GUIDE	
16	56412060	1	CHASSIS WELDT	
17	56412122	4	TRIM EDGE	
18	56316541	2	ASSEMBLY WHEEL AND BEARING	
18	56412341	2	SCRUBBER COMPOUND WHEEL W/BRG	
19	56109296	1	SEAT KIT	
20	56412150	3	SPACER	
21	56412196	1	HINGE	
22	56412301	1	ELECTRICAL PANEL WELDMT	
23	56412212	1	TRAY BATTERY	
24	56412231	1	PROP ROD	
25	56412243	4	BEARING BALL	
26	56412247	1	PLATE	
27	56412261	1	SEAT WELDT	
28	56412285	1	GASKET ELECT. COVER	
29	56469380	1	CLAMP CABLE .75 E00129	
30	56418492	1	CLIP PROP ROD	
31	56262531	1	GROMMET E00059	
32	56412306	1	SEAT SPACER	
33	56412307	1	PROP ROD	
34	56003268	1	RING RET EXT TYPE E REINF	
35	56002066	3	SCR PAN PHIL 1/4 20 X .62	
36	56002098	3	WSH FLT SAE 1/4	

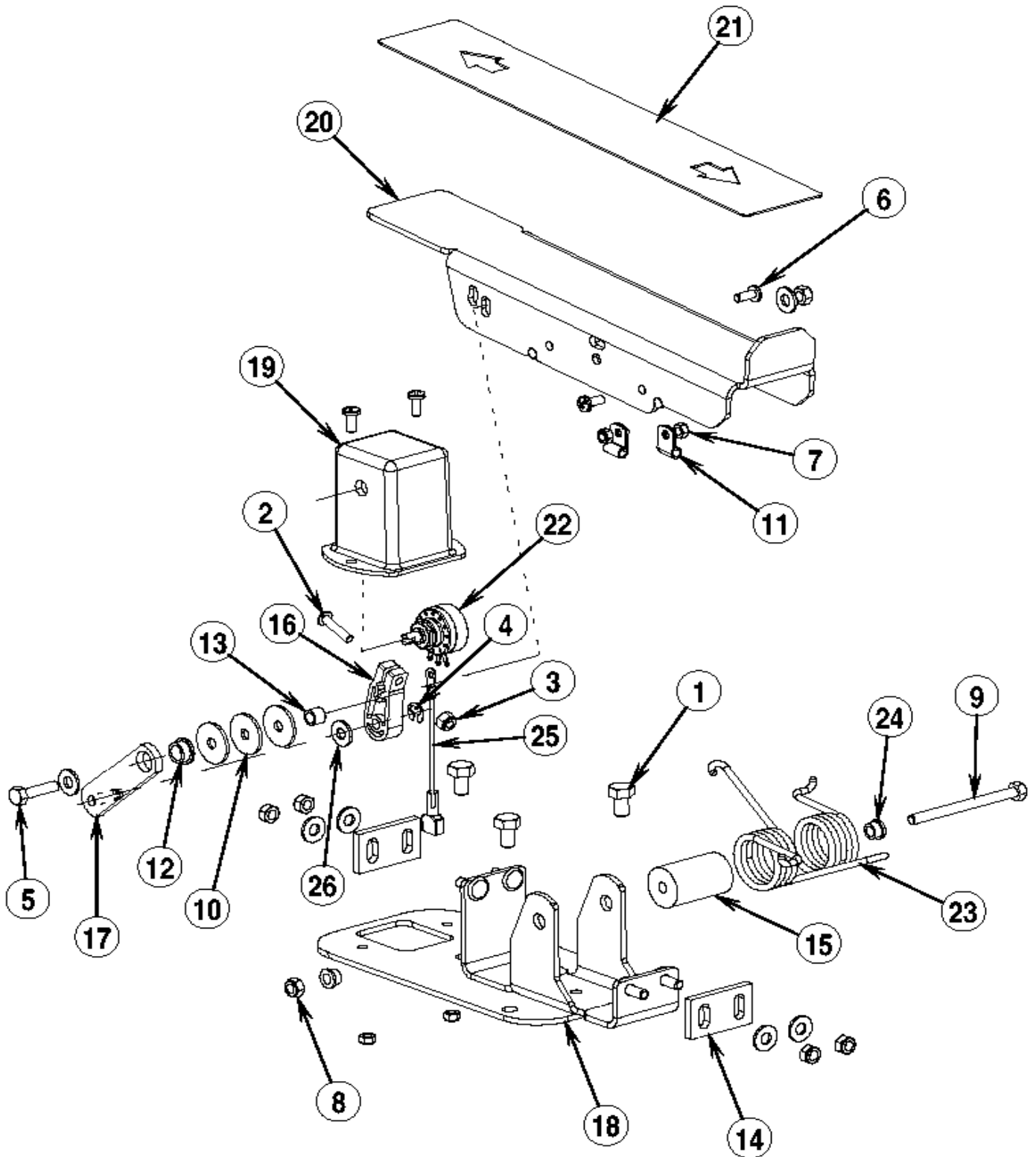
Drive pedal assembly

BR 700

03-04-2010

Part List ID
E6914

5



Drive pedal assembly

BR 700

03-04-2010

Part List ID E6914

6

Pos	Part no.	Qty	Description	EAN
1	56001862	3	SCR HEX 5/16 18 X .50	
2	56002674	1	SCR PAN PHIL 10 24 X 1.00	
3	56002832	1	NUT HEX NYL LOC THIN 10 24	
4	56003268	1	RING RET EXT TYPE E REINF	
5	56003358	3	SCR HEX M6 X 25.0	
6	56003377	4	SCR PAN PHIL M5X12MM	
7	56003402	4	NUT HEX NYL LOC M5 X 0.80	
8	56003403	8	NUT HEX NYL LOC M6 X 1.00	
9	56003428	1	SCR HEX M6 1.00 X 75MM	
10	56009060	3	WSH FLT SS .260X1.000X.074	
11	56220507	2	CLAMP CABLE .187 E00129	
12	56324505	1	BEARING FLANGE.376E00201	
13	56368989	1	BUSHING .25X.37X.30CV82G	
14	56409377	2	PLATE SLIDE	
15	56409378	1	SPACER NYLON	
16	56409471	1	LEVER THROTTLE	
17	56409610	1	LINK WLDMT.	
18	56412092	1	PEDAL MOUNT WELDT	
19	56412094	1	HOUSING POTENTIOMETER	
20	56412234	1	THROTTLE PEDAL WELDT	
21	56449958	1	PEDAL MAT CV696C	
22	56454740	1	POTENTIOMETER 5K	
23	56468243	2	SPRING IDLER	
24	56756318	2	BEARING FLANGE .250 E00201	
25	56412331	1	WIRE ASSY 14 AWG RED	
26	56002098	1	WSH FLT SAE 1/4	

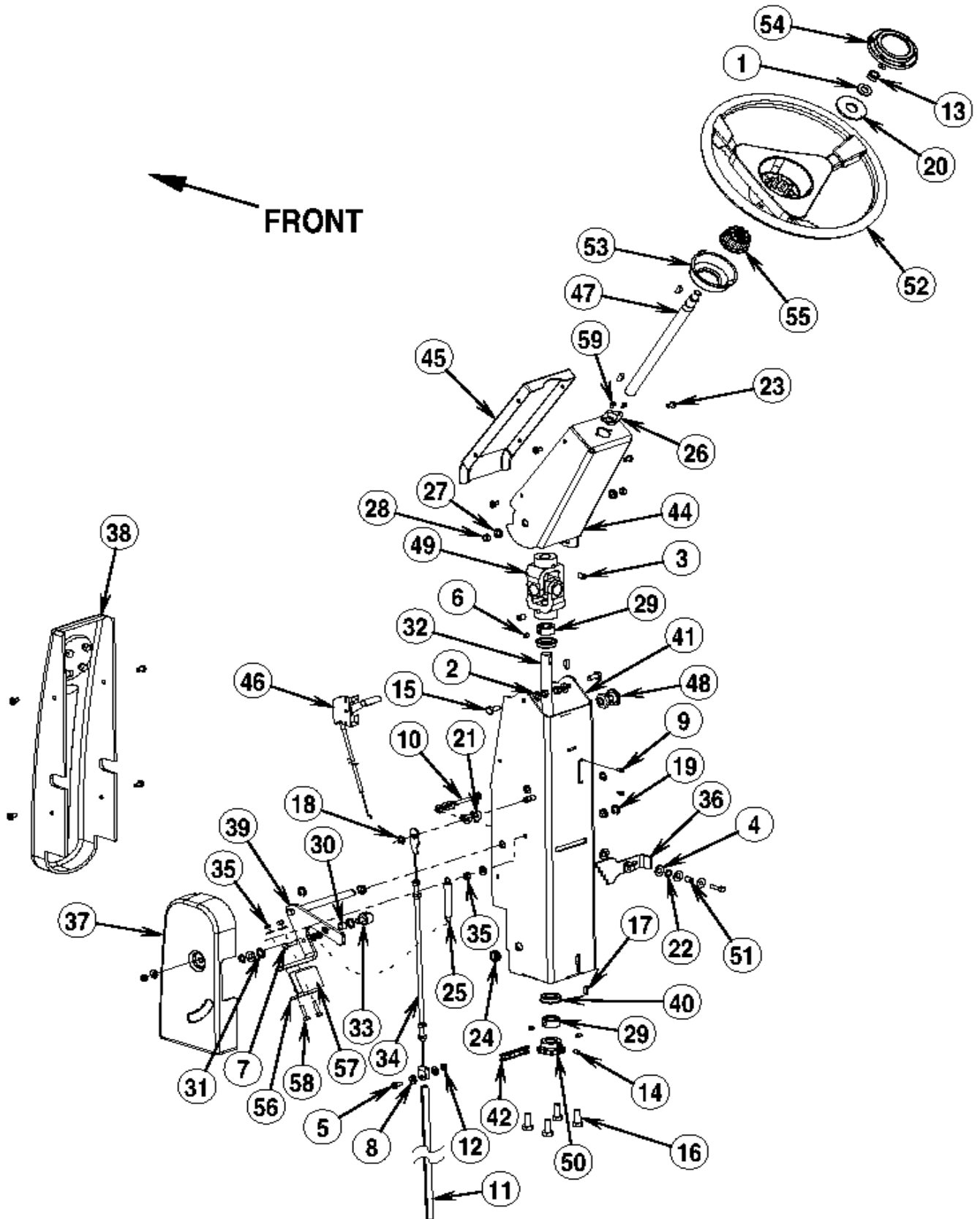
Steering assembly

BR 700

03-04-2010

Part List ID
E6916

7



Steering assembly

BR 700

03-04-2010

Part List ID E6916

8

Pos	Part no.	Qty	Description	EAN
1	56001879	1	WSH FLT SAE 1/2	
2	56001939	2	WSH FLT SAE 5/16	
3	56001959	2	SCR SOC HD 5/16 18 X .75	
4	56002063	7	WSH FLT SAE 3/8	
5	56002066	1	SCR PAN PHIL 1/4 20 X .62	
6	56002086	2	SCR SOC SET LOC 5/16 18 X .25	
7	56002093	1	SCR HEX 1/4 20 X 1.00	
8	56002098	11	WSH FLT SAE 1/4	
9	56009051	2	SCR PAN PHIL THD FORM 8 32X.38	
10	56003553	1	SCR HEX THD TO HD M6-1.0X 50MM	
11	56412308	1	CONDUIT	
12	56002840	4	NUT HEX NYL LOC THIN 1/4 20	
13	56002843	1	NUT HEX NYL LOC THIN 1/2 13	
14	56002930	2	SCR SOC SET LOC 1/4 20 X .38	
15	56003179	2	SCR HEX THD/HD M8 1.25X20MM	
16	56003186	4	SCR HEX THD/HD M10 1.50 X 25MM	
17	56003228	4	KEY WDF 606	
18	56003262	3	RING RET EXT TYPE E	
19	56003264	2	RING RET EXT TYPE E	
20	56002228	1	WSH FLT SAE 7/8	
21	56009025	4	WSH FLT .266X.750X.036	
22	56009045	2	WSH BOWED .375X.578X.060	
23	56009126	8	SCR PANPHILTHD FORM 1/4 20X.75	
24	56158690	1	GROMMET .687 E00059	
25	56245008	1	SPRING EXT .37X2.00FC436B	
26	56100393	1	BUSHING	
27	56302164	4	NYLON BEARING	
28	56320595	2	BUSHING .31X.50X.28HC18M	
29	56367095	2	COLLAR SHAFT .750 CV31A	
30	56370754	1	BEARING SLEEVE .379CV211KE0202	
31	56370762	2	BEARING THRUST .507CV211LE0203	
32	56407067	1	SHAFT LOWER STEERING	
33	56412141	1	PIVOT CABLE	
34	56412142	1	CABLE ASSY	
35	56003403	3	NUT HEX NYL LOC M6 X 1.00	
36	56412144	1	LATCH PARK BRAKE	
37	56412145	1	COVER BRAKE	
38	56412146	1	COVER LOWER COLUMN	
39	56412147	1	BRAKE PEDAL WELDT	
40	56412161	2	BEARING	
41	56412162	1	LOWER COLUMN WELDT	
42	56412198	1	CHAIN ROLLER 2 LINKS W/CHAIN	

Steering assembly

BR 700

03-04-2010

Part List ID E6916

9

Pos	Part no.	Qty	Description	EAN
44	56412245	1	COLUMN STEERING	
45	56412246	1	COVER UPPER COLUMN	
46	56412281	1	SOLUTION CONTROL CABLE	
47	56420059	1	UPPER STEERING SHAFT	
48	56420062	1	LATCH ASSEMBLY	
49	56454081	1	U JOINT	
50	56471148	1	SPROCKET H40B11 RE188C	
51	56475411	2	BUSHING .25X.37X.48RE244B 1	
52	56497306	1	STEERING WHEEL	
53	56497308	1	CUP	
54	56497543	1	CAP	
55	56497560	1	ADAPTER	
56	56412149	1	BRAKE PAD	
57	56412175	1	MAT BRAKE PAD	
58	56003358	2	SCR HEX M6 X 25.0	
59	56009051	2	SCR PAN PHIL THD FORM 8 32X.38	

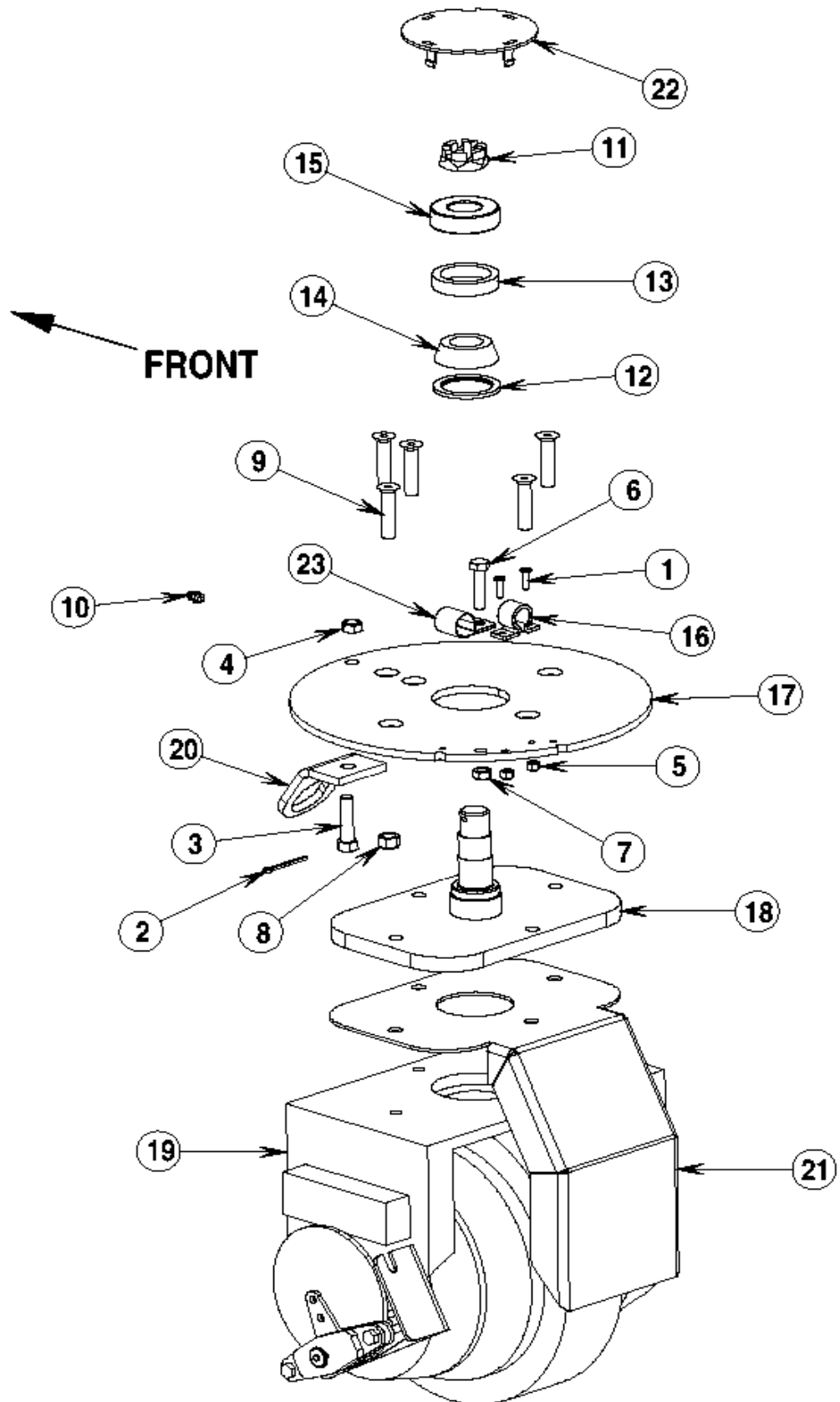
Front wheel assembly

BR 700

03-04-2010

Part List ID E6918

10



FORM NO. 56042373

Front wheel assembly

BR 700

03-04-2010

Part List ID E6918

11

Pos	Part no.	Qty	Description	EAN
1	56002146	2	SCR PAN PHIL 8 32 X .62	
2	56002181	1	PIN COT .12 X 1.50	
3	56002747	1	SCR HEX THD/HD 3/8 16 X 1.50	
4	56002841	1	NUT HEX NYL LOC THIN 3/8 16	
5	56002877	2	NUT HEX NYL LOC SS 8 32	
6	56003179	1	SCR HEX THD/HD M8 1.25X20MM	
7	56003389	3	NUT HEX NYL LOC M8X1.25	
8	56003406	1	NUT HEX NYL LOC M10 X 1.50	
9	56003500	5	SCR FLT SOC LOC M 10X1.5X40MM	
10	56101737	1	FITTING LUBE 1/4 28	
11	56110817	1	NUT CAS .875 14 THNE9A	
12	56171078	1	SEAL SHAFT 1.437 PD202S	
13	56378259	1	BEARING TR CP 1.981 E00135	
14	56378267	1	BEARING TR CN 1.000 E00134	
15	56378380	1	BEARING BALL .9843 CR25D	
16	56412059	1	GUIDE	
17	56412123	1	PLATE STEERING	
18	56412165	1	SPINDLE WELDT	
19	56412168	1	DRIVE MOTOR WHEEL	SEE TSB 2002-824
19	56412319	1	BRAKE CALIPER	REPLACEMENT PARTS FOR PN 56412168
19	56412320	1	BRUSH COVER KIT X4	REPLACEMENT PARTS FOR PN 56412168
19	56412321	1	SEALING RING	REPLACEMENT PARTS FOR PN 56412168
19	56412322	1	BALL BEARING GEARBOX SIDE	REPLACEMENT PARTS FOR PN 56412168
19	56412323	1	BALL BEARING BRUSH SIDE	REPLACEMENT PARTS FOR PN 56412168
19	56412324	1	ARMATURE	REPLACEMENT PARTS FOR PN 56412168
19	56412325	1	BRUSH KIT	REPLACEMENT PARTS FOR PN 56412168 - TSB 824
19	56412327	1	BRAKE ROTOR KIT	REPLACEMENT PARTS FOR PN 56412168
19	56412338	1	DRIVE WHEEL W/BOLTS	SEE TSB US 2001-781
19	56412339	1	DRIVE WHEEL W/BOLTS	SEE TSB US 2001-781
20	56412209	1	BRACKET TIE DOWN	
21	56412236	1	SPLASH GUARD	
22	56412263	1	CAP SPINDLE	
23	56469380	1	CLAMP CABLE .75 E00129	

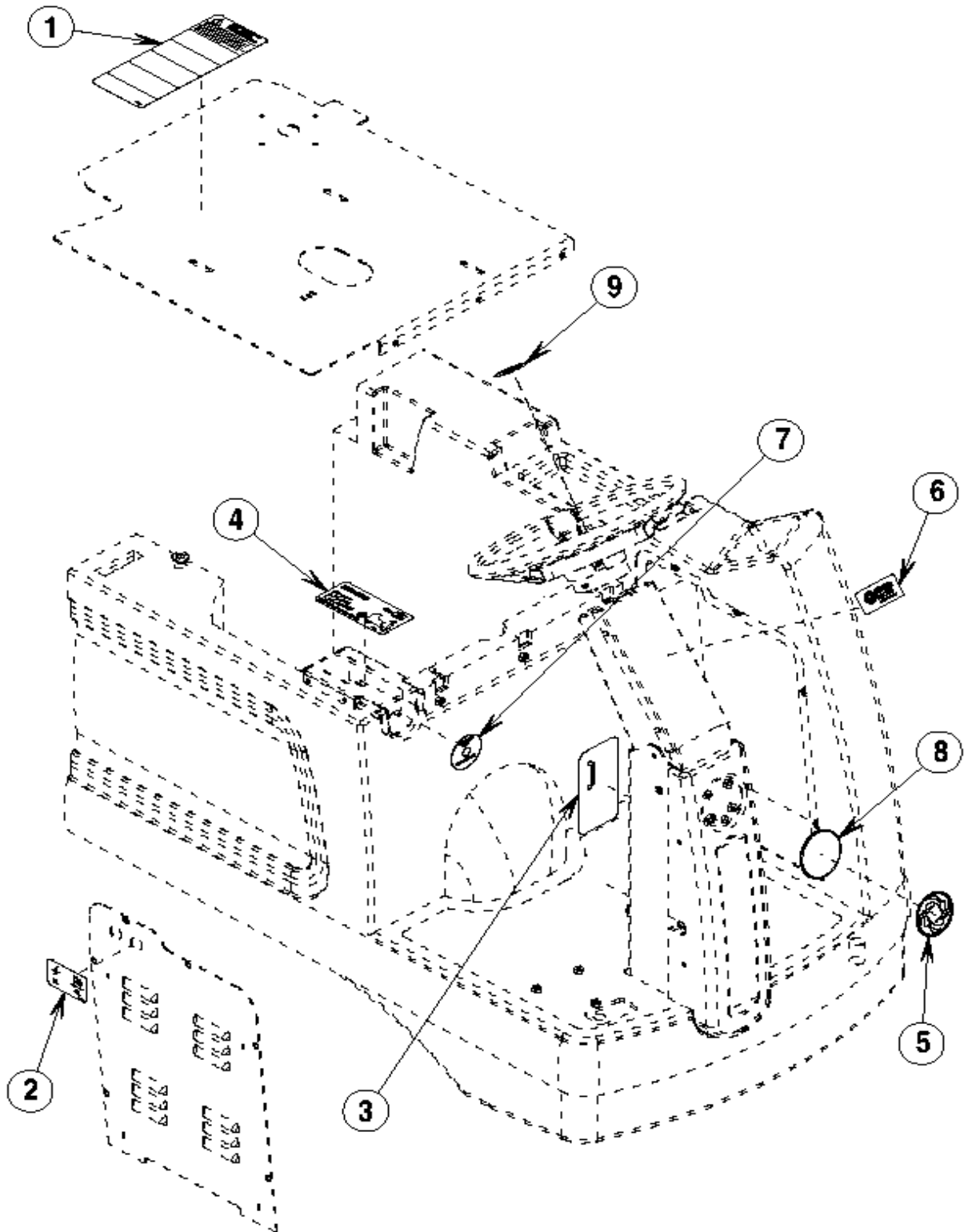
Decal system

BR 700

03-04-2010

Part List ID
E69110

12



Decal system

BR 700

03-04-2010

Part List ID E69110

13

Pos	Part no.	Qty	Description	EAN
1	56014601	1	DECAL CAUTION	
2	56016341	1	DECAL CIRCUIT BREAKER	
3	56016344	1	DECAL FLOW/PARKING BRAKE	
4	56016345	1	DECAL BATTERY WIRING	
5	56016348	1	DECAL LOGO	
6	56016360	1	DECAL HR2800	
6	56016362	1	DECAL BR700	
7	56025109	1	DECAL EMERGENCY RE498K	
8	56412095	1	PLAQUE DECAL	
9	56016421	1	DECAL LOGO	

Scrub system (disc)

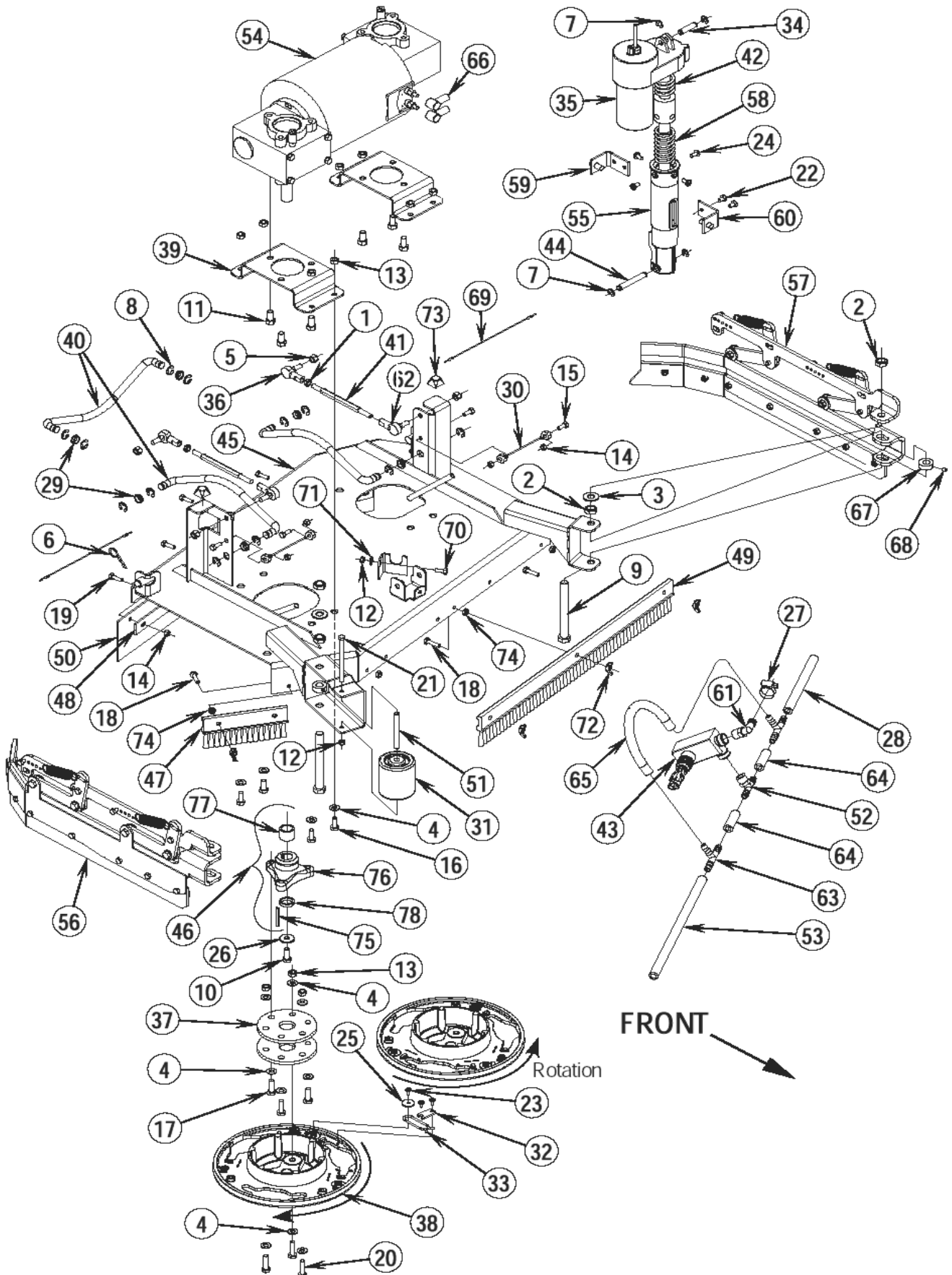
BR 700

03-04-2010

Part List ID

E69112

14



Scrub system (disc)

BR 700

03-04-2010

Part List ID
E69112

15

Pos	Part no.	Qty	Description	EAN
0	56412291	1	NEOPRENE SQUEEGEE DECK KIT	
0	56412295	1	BLADE KIT DISC GUM	
0	56412343	1	STANDARD DISC DECK BRISTLE KIT	
0	56505800	2	PAD HOLDER 14 3 LUG	
0	56505801	2	DISC BRUSH 14 MAGNAGRIT 3 LUG	
0	56505802	2	DISC BRUSH 14 DYNAGRIT 3 LUG	
0	56505803	2	DISC BRUSH 14 AGLITE 3 LUG	
0	56505804	2	DISC BRUSH 14 PROLENE 3 LUG	
0	56505805	2	DISC BRUSH 14 PROLITE 3 LUG	
0	56505806	2	DISC BRUSH 14 UNION MIX 3 LUG	
0	56505807	2	DISC BRUSH 14 MIDGRIT 3 LUG	
0	56505808	2	DISC BRUSH 14 MIDLITE 3 LUG	
1	56001884	2	NUT HEX JAM 5/16 24	
2	56002843	4	NUT HEX NYL LOC THIN 1/2 13	
3	56002918	2	WSH FLT SAE SS 1/2	
4	56002938	26	WSH FLT SAE SS 5/16	
5	56002950	4	NUT HEX NYL LOC 5/16 24	
6	56002959	2	PIN COT HAIR SS.090XDIA.50/.75	
7	56003262	4	RING RET EXT TYPE E	
8	56003264	12	RING RET EXT TYPE E	
9	56003282	2	SCR HEX 1/2 13X5.00 GRADE 8	
10	56003335	2	SCR HEX LOC SS 5/16 18 X .88	
11	56002885	6	SCR HEX SS 3/8 16 X .75	
12	56003403	2	NUT HEX NYL LOC M6 X 1.00	
13	56003405	14	NUT HEX NYL LOC SS M8X1.25	
14	56003426	10	NUT HEX NYL LOC SS M6	
15	56003431	4	SCR HEX SS M6 1.00X16MM	
16	56003435	8	SCR HEX SS M8 1.25X20MM	
17	56003639	6	SCR HEX SS M8 1.25 X 30MM	
18	56002883	5	SCR HEX SS 1/4 20 X 1.00	
19	56003454	6	SCR HEX THD TO HD SS M6 1X20MM	
20	56003477	6	SCR HX NYLOC SS M8 1.25 X 25MM	
21	56003492	1	SCR HEX M6 1.0 X 95MM	
22	56009019	2	SCR HEX THD FORM 1/4 20X .38	
23	56009030	6	SCR PAN PHIL THD FOM 10 24X.38	
24	56009126	4	SCR PANPHILTHD FORM 1/4 20X.75	
25	56009096	2	WSH FLT .193X.875X.060	
26	56009107	2	WSH FLT SS .378/.373X1.00X.075	
27	56219932	1	CLAMP HOSE SAE 6 E00047	
28	56249682	1	TUBE E00603	
29	56302164	6	NYLON BEARING	
30	56412344	2	WIRE ROPE ASSY	

NOTE #1: All Deck blade kits include both deck and skirt blades.

Scrub system (disc)

BR 700

03-04-2010

Part List ID E69112

16

Pos	Part no.	Qty	Description	EAN
31	56412459	1	WHEEL	
32	56366455	2	PLATE CV24B	
33	56366463	2	SPRING RETAINER CV24C	
34	56388672	1	PIN	
35	56393303	1	ACTUATOR	
36	56477756	2	ROD END	
37	56407053	4	THERMOID DISC	
38	56314030	2	BRUSH HOLDER	
39	56407198	2	MOUNT BRACKET	
40	56412052	3	ARM MOUNT	
41	56412056	2	ROD ADJUSTER	
42	56412071	1	COMPRESSION SPRING	
43	56412076	1	SOLENOID VALVE ASY	
44	56412088	1	PIN	
45	56412096	1	DECK WELDT	
46	56314163	2	HUB REPLACEMENT KIT	
47	56412461	1	SKIRT BRISTLE DECK SHORT	
48	56412170	1	STRAP	
49	56412169	1	STRAP	
49	56412171	1	BLADE DECK GUM FRONT	
49	56412292	1	BLADE DECK NEOPRENE FR	
49	56412460	1	SKIRT BRISTLE DECK LONG	
50	56412172	1	BLADE DECK GUM REAR	
50	56412293	1	BLADE DECK NEOPRENE RR	
51	56412176	1	BUSHING	
52	56412204	1	TEE BARB 3/8 X 3/8 NPT	
53	56052887	1	TUBE VINYL 18 E00603	
54	56389395	4	BRUSH SPRING/SET 4	
54	56407196	2	GEARBOX	
54	56407500	4	BRUSH ASSEMBLY KIT	
54	56412213	1	MOTOR GEARBOX ASSY	
54	56412214	1	MOTOR 1.5HP 24VDC	
54	56412266	4	BRUSH BOARD ASSY	
54	56412286	1	MOTOR BRUSH/SPRING KIT	
55	56412262	1	HOUSING SPRING	
56	56412282	1	RIGHT SKIRT ASSY	
57	56412283	1	LEFT SKIRT ASSY	
58	56420018	1	SPRING COMPRESSION	
59	56420019	1	NUT RETAINER WLMT.	
60	56420020	1	NUT RETAINER WLMT.	
61	56900069	1	BARB 90 ELBOW 1/2 X 3/8NPT	
62	56395755	2	ROD END	

NOTE #1: All Deck blade kits include both deck and skirt blades.

Scrub system (disc)

BR 700

03-04-2010

Part List ID E69112

17

Pos	Part no.	Qty	Description	EAN
63	56249280	2	TEE BARB 3/8X3/8 E00455	
64	56412187	2	SOLUTION TUBE E00603	
65	56412189	1	HOSE SPIRAL 3/8 E00603	
66	56492305	2	BOOT	
67	56152811	2	COLLAR PC9A	
68	56001841	2	SCR SOC SET LOC 1/4 20 X .25	
69	56330391	2	WIRE ROPE ASSY 12.0	
70	56003174	1	SCR HEX THD/HD M6 1.0 X 16MM	
71	56009064	1	WSH INT SHPRF 1/4	
72	56009048	5	NUT WING LOC 1/4 20	
73	56382566	2	BUMPER .812SQ CL66	
74	56002491	5	NUT HEX NYL LOC SS 1/4 20	
75	56003670	2	KEY SQ .19 X 1.62	
76	56314108	2	HUB DRIVE	

NOTE #1: All Deck blade kits include both deck and skirt blades.

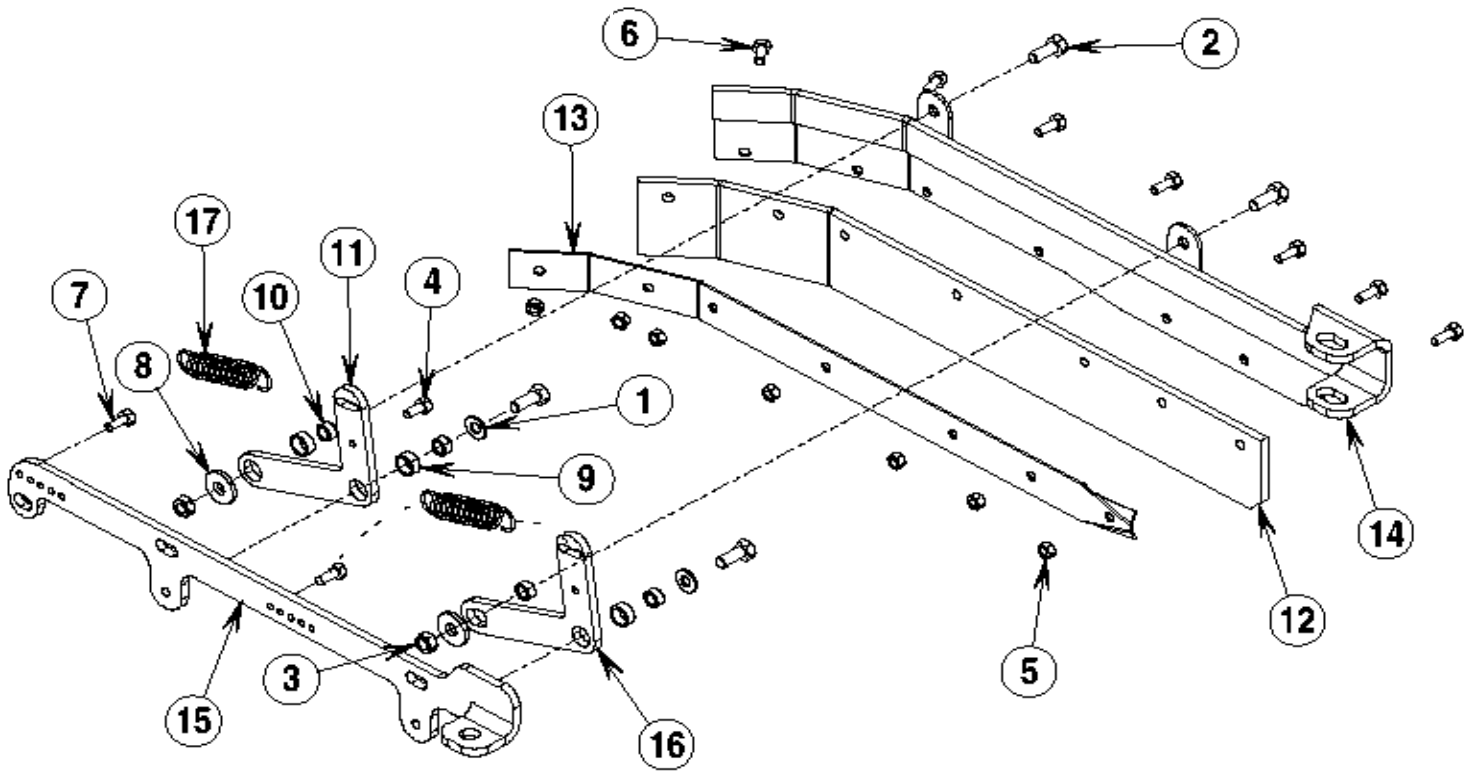
Scrub system left skirt assembly (disc)

BR 700

03-04-2010

Part List ID
E69114-A

18



Scrub system left skirt assembly (disc)

BR 700

03-04-2010

Part List ID E69114-A

19

Pos	Part no.	Qty	Description	EAN
0	56412291	1	NEOPRENE SQUEEGEE DECK KIT	
0	56412294	1	BLADE DECK NEOPRENE	
0	56412295	1	BLADE KIT DISC GUM	
0	56412343	1	STANDARD DISC DECK BRISTLE KIT	
1	56001939	2	WSH FLT SAE 5/16	
2	56003179	4	SCR HEX THD/HD M8 1.25X20MM	
3	56003389	2	NUT HEX NYL LOC M8X1.25	
4	56003413	1	SCR HEX M6-1.0 X 14MM	Machine outphased 2003
5	56003426	7	NUT HEX NYL LOC SS M6	
6	56003431	7	SCR HEX SS M6 1.00X16MM	
7	56003441	2	SCR HEX LOC M6 1.00X16MM	
8	56009107	2	WSH FLT SS .378/.373X1.00X.075	
9	56185263	3	BEARING SLEEVE E00202	
10	56320595	4	BUSHING .31X.50X.28HC18M	
11	56407413	1	ARM MOUNT	
12	56412107	1	BLADE DECK GUM	5715492039
13	56412108	1	RETAINER SKIRT	
14	56412110	1	SKIRT BRACKET WELDT	
15	56412113	1	BRACKET MOUNT	
16	56412114	1	ARM MOUNT	
17	56470672	2	SPRING EXT .75X3.00RE124K	

NOTE #1: All Deck blade kits include both deck and skirt blades.

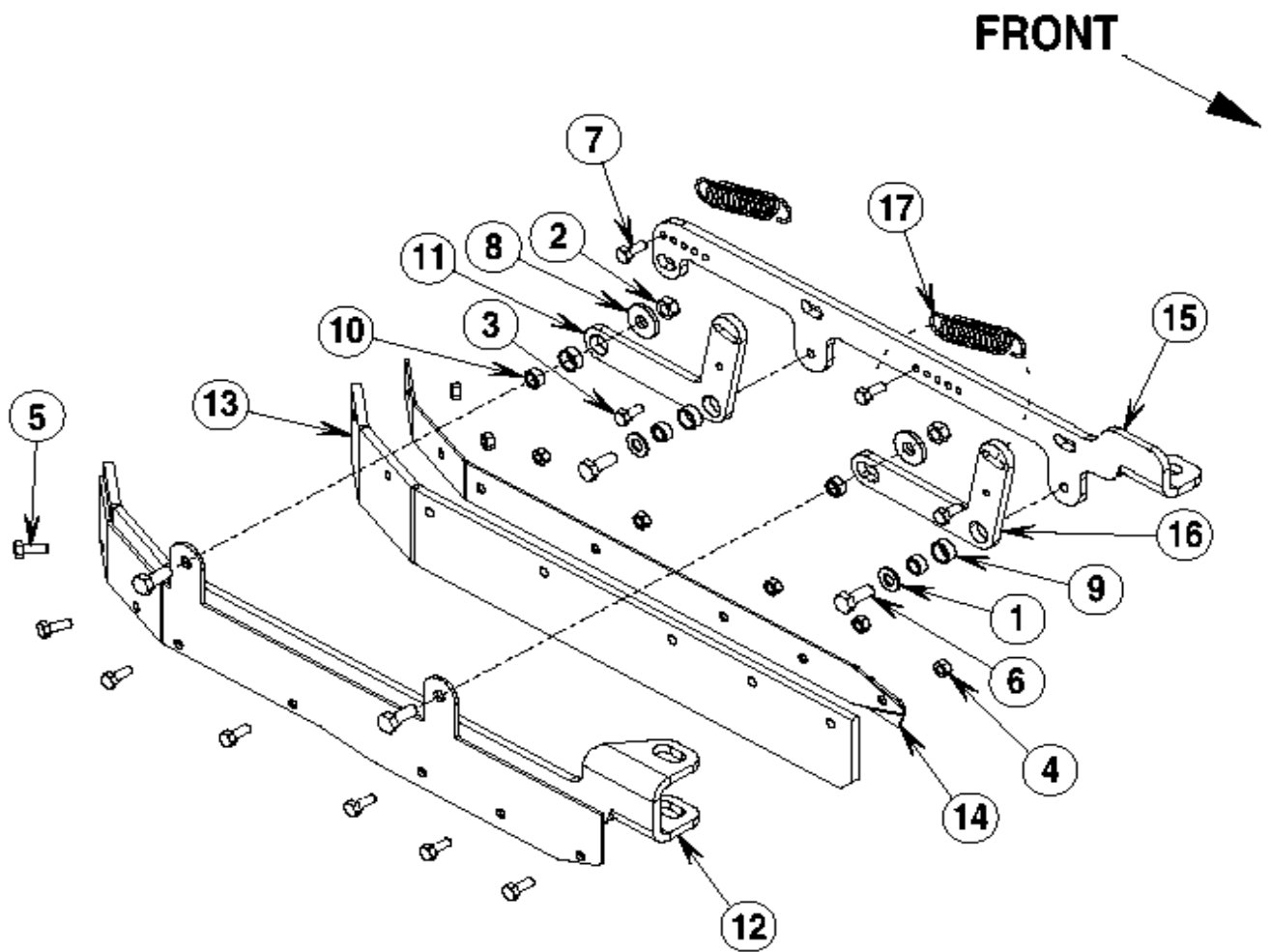
Scrub system righth skirt assembly (disc)

BR 700

03-04-2010

Part List ID
E69114-B

20



FORM NO. 56042373

Scrub system righth skirt assembly (disc)

BR 700

03-04-2010

Part List ID E69114-B

21

Pos	Part no.	Qty	Description	EAN
0	56412291	1	NEOPRENE SQUEEGEE DECK KIT	
0	56412295	1	BLADE KIT DISC GUM	
0	56412343	1	STANDARD DISC DECK BRISTLE KIT	
1	56002938	2	WSH FLT SAE SS 5/16	
2	56003405	2	NUT HEX NYL LOC SS M8X1.25	
3	56003413	2	SCR HEX M6-1.0 X 14MM	Machine outphased 2003
4	56003426	7	NUT HEX NYL LOC SS M6	
5	56003431	7	SCR HEX SS M6 1.00X16MM	
6	56003435	4	SCR HEX SS M8 1.25X20MM	
7	56003441	2	SCR HEX LOC M6 1.00X16MM	
8	56009107	2	WSH FLT SS .378/.373X1.00X.075	
9	56185263	3	BEARING SLEEVE E00202	
10	56320595	4	BUSHING .31X.50X.28HC18M	
11	56407413	1	ARM MOUNT	
12	56412104	1	SKIRT BRACKET WELDT	
13	56412107	1	BLADE DECK GUM	5715492039
13	56412294	1	BLADE DECK NEOPRENE	
14	56412108	1	RETAINER SKIRT	
15	56412109	1	BRACKET MOUNT	
16	56412114	1	ARM MOUNT	
17	56470672	2	SPRING EXT .75X3.00RE124K	

NOTE #1: All Deck blade kits include both deck and skirt blades.

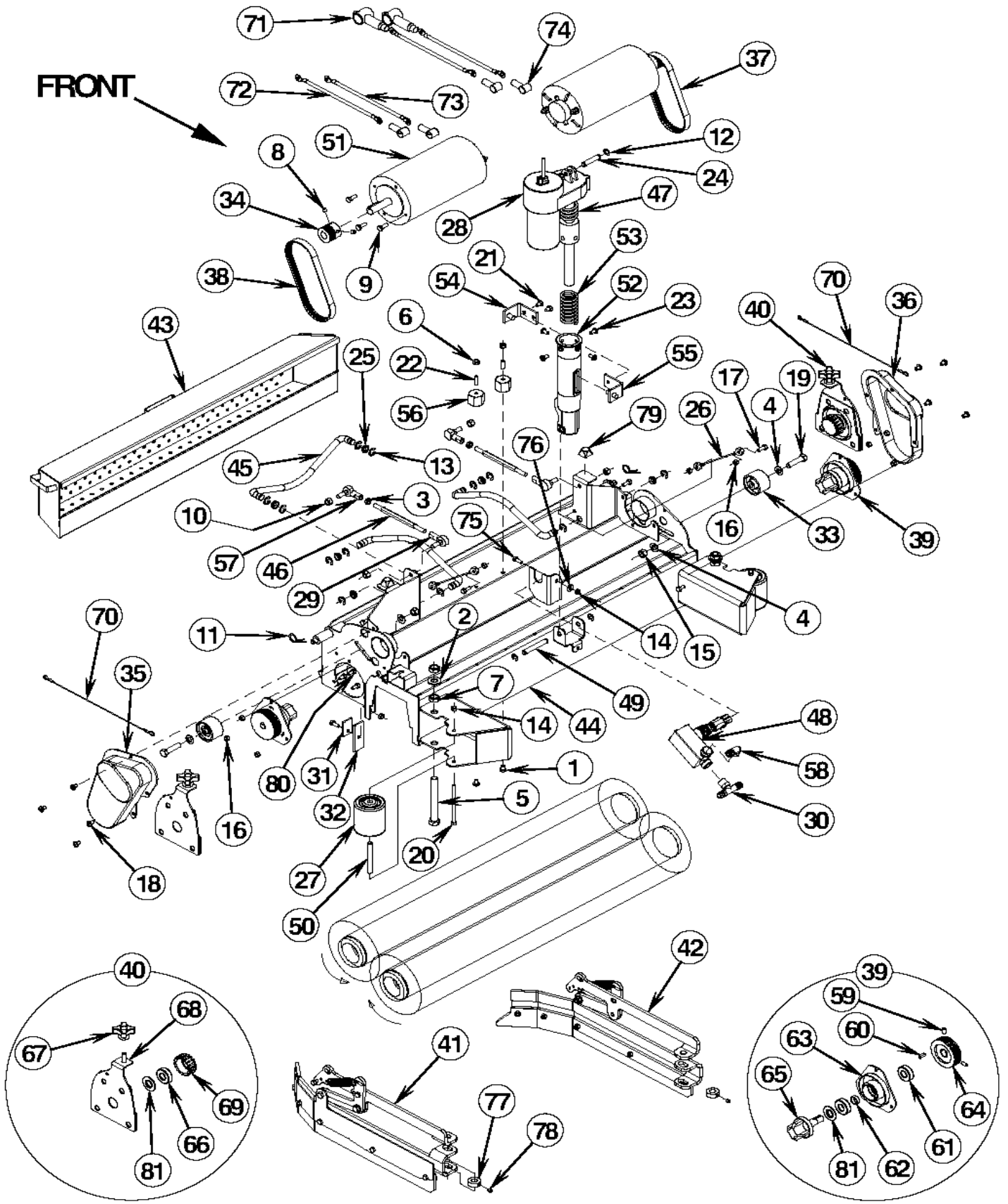
Scrub system (cylindrical)

BR 700

03-04-2010

Part List ID
E69116

22



Scrub system (cylindrical)

BR 700

03-04-2010

Part List ID
E69116

23

Pos	Part no.	Qty	Description	EAN
0	56407473	2	BRUSH SOFT NYLON 32 YELLOW	
0	56407474	2	BRUSH HARD NYLON 32 NATURAL	
0	56407475	2	BRUSH POLYPROPYLENE 32 RED	
0	56407476	2	BRUSH 180 GRIT 32 BLUE/GREY	
0	56407477	2	BRUSH 80 GRIT 32 BLACK	
0	56407478	2	BRUSH 46 GRIT 32 ORANGE/BROWN	
0	56412046	2	BRUSH POLYPROPYLENE 28 RED	
0	56412191	2	BRUSH SOFT NYLON 28 YELLOW	
0	56412192	2	BRUSH HARD NYLON 28 NATURAL	
0	56412193	2	BRUSH 180 GRIT 28 BLUE/GREY	
0	56412194	2	BRUSH 80 GRIT 28 BLACK	
0	56412195	2	BRUSH 46 GRIT 28 ORANG/BROWN	
1	56001861	2	SCR HEX 1/4 20 X .38	
2	56001879	2	WSH FLT SAE 1/2	
3	56001884	2	NUT HEX JAM 5/16 24	
4	56002063	4	WSH FLT SAE 3/8	
5	56002484	2	SCR HEX 1/2 13 X 4.50	
6	56002708	2	NUT HEX NYL LOC 1/4 20	
7	56002843	4	NUT HEX NYL LOC THIN 1/2 13	
8	56002086	4	SCR SOC SET LOC 5/16 18 X .25	
9	56002948	6	SCR HEX LOC 1/4 20 X .75	
10	56002950	4	NUT HEX NYL LOC 5/16 24	
11	56002959	2	PIN COT HAIR SS.090XDIA.50/.75	
12	56003262	4	RING RET EXT TYPE E	
13	56003264	12	RING RET EXT TYPE E	
14	56003403	3	NUT HEX NYL LOC M6 X 1.00	
15	56003406	2	NUT HEX NYL LOC M10 X 1.50	
16	56003426	10	NUT HEX NYL LOC SS M6	
17	56003431	6	SCR HEX SS M6 1.00X16MM	
18	56003603	1	SCR PAN PHILTHDFORM 1/4 20X.38	
19	56003491	2	SCR HEX M10 1.50X 40MM	
20	56003492	2	SCR HEX M6 1.0 X 95MM	
21	56009019	2	SCR HEX THD FORM 1/4 20X .38	
22	56009020	2	STUD 1/4 20 X .88	
23	56009126	4	SCR PANPHILTHD FORM 1/4 20X.75	
24	56104760	1	PIN C15J	
25	56302164	6	NYLON BEARING	
26	56412344	2	WIRE ROPE ASSY	
27	56412459	2	WHEEL	
28	56388520	1	NUT PLASTIC	
28	56393303	1	ACTUATOR	
28	56393790	1	SWITCH LIMIT	

Scrub system (cylindrical)

BR 700

03-04-2010

Part List ID E69116

24

Pos	Part no.	Qty	Description	EAN
28	56470433	1	BRUSH KIT MOTOR	
29	56395755	2	ROD END	
30	56407012	1	TEE 3/8NPT & BARB	
31	56410214	2	STRAP	
32	56407391	2	BLADE DECK GUM	
33	56407432	2	IDLER BELT	
34	56407433	2	SHEAVE POLY V	
35	56407434	1	GUARD RIGHT BELT	
36	56407435	1	GUARD LEFT BELT	
37	56407465	1	BELT POLY V 180J6	
38	56407466	1	BELT POLY V 190J6	
39	56407559	2	DRIVE END ASSY	
40	56314445	2	IDLER END ASSEMBLY	
41	56407470	1	RIGHT SKIRT ASSY	
42	56407471	1	LEFT SKIRT ASSY	
43	56407430	1	HOPPER WELDT	
43	56412041	1	HOPPER WELDT	
44	56412044	1	HOUSING WELDT	
44	56412352	1	HOUSING WELDMENT	
45	56412052	3	ARM MOUNT	
46	56412056	2	ROD ADJUSTER	
47	56412071	1	COMPRESSION SPRING	
48	56412076	1	SOLENOID VALVE ASY	
49	56412088	1	PIN	
50	56412176	2	BUSHING	
51	56412178	2	MOTOR 24 VDC .75 HP	
51	56412254	1	ARMATURE	
51	56412255	1	BEARING	
51	56412257	1	BRUSH CAP ASSY	
51	56412287	1	MOTOR BRUSH/SPRING KIT	
52	56412262	1	HOUSING SPRING	
53	56420018	1	SPRING COMPRESSION	
54	56420019	1	NUT RETAINER WLMT.	
55	56420020	1	NUT RETAINER WLMT.	
56	56469858	2	INSULATED STANDOFF	
57	56477756	2	ROD END	
58	56900069	1	BARB 90 ELBOW 1/2 X 3/8NPT	
59	56002119	4	SCR SOC SET LOC 1/4 20 X .50	
60	56003237	2	KEY SQ .19 X .62	
61	56106070	4	BEARING BALL Z22	
62	56407389	2	SPACER	
63	56315405	2	BEARING PLATE	

Scrub system (cylindrical)

BR 700

03-04-2010

Part List ID E69116

25

Pos	Part no.	Qty	Description	EAN
64	56407442	2	SHEAVE POLY V	
65	56109527	2	SPINDLE	
66	56106070	2	BEARING BALL Z22	
67	56407303	2	KNOB	
68	56315447	2	IDLER BEARING PLATE	
69	56407551	2	HUB	
70	56330391	2	WIRE ROPE ASSY 12.0	
71	56493357	2	INSULATOR TERMINAL	
72	56412297	2	CABLE ASSY	
73	56412296	2	CABLE ASSY	
74	56492305	4	BOOT	
75	56003174	1	SCR HEX THD/HD M6 1.0 X 16MM	
76	56009064	1	WSH INT SHPRF 1/4	
77	56152811	2	COLLAR PC9A	
78	56001841	2	SCR SOC SET LOC 1/4 20 X .25	
79	56382566	2	BUMPER .812SQ CL66	
80	56003211	6	SCR HEX HD SS M6 1.0 X 12MM	
81	56407558	4	WASHER BEARING	

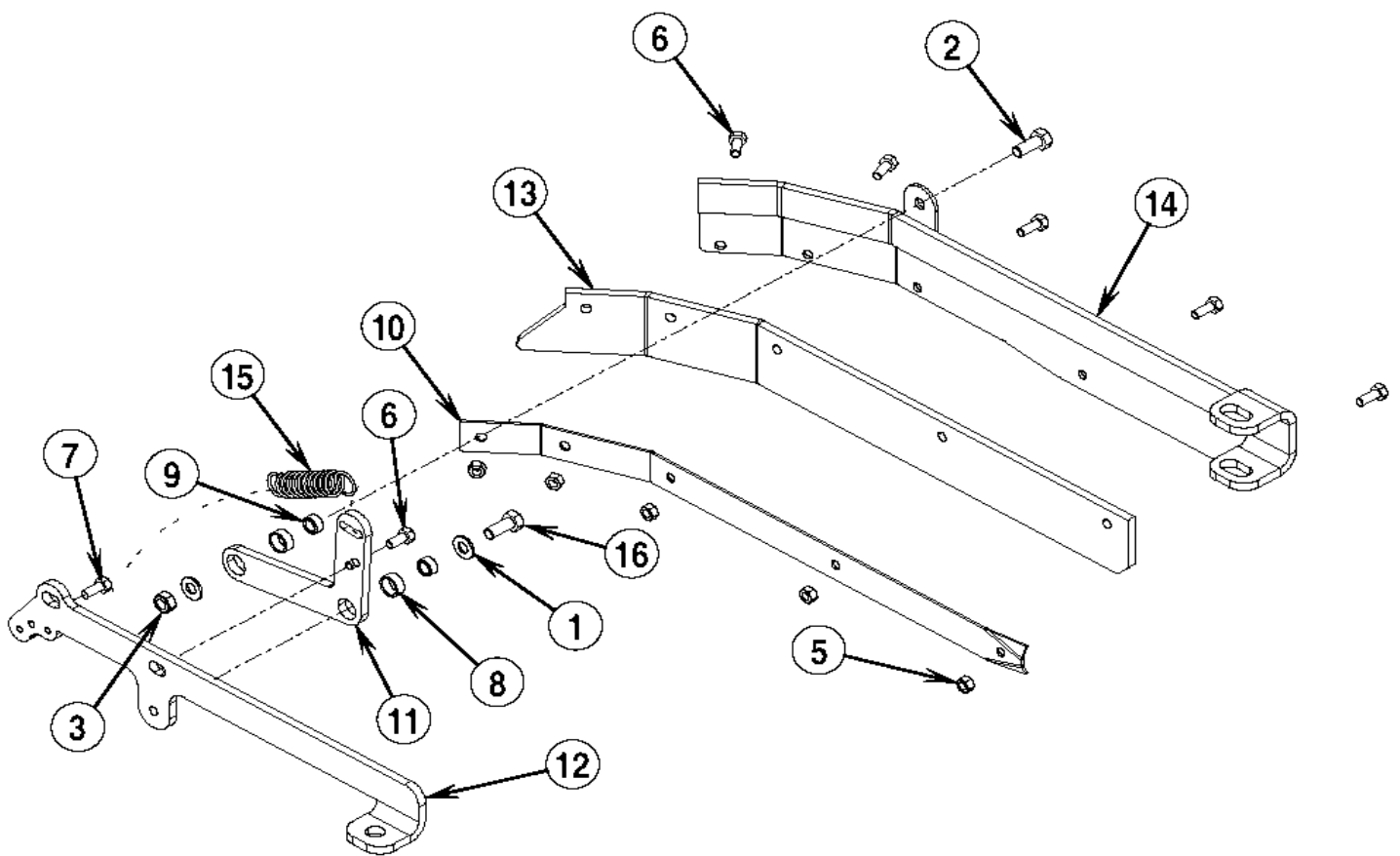
Scrub system left skirt assembly (cylindrical

BR 700

03-04-2010

Part List ID
E69118-A

26



Scrub system left skirt assembly (cylindrical

BR 700

03-04-2010

Part List ID
E69118-A

27

Pos	Part no.	Qty	Description	EAN
	56407471	1	LEFT SKIRT ASSY	
1	56001939	2	WSH FLT SAE 5/16	
2	56003179	1	SCR HEX THD/HD M8 1.25X20MM	
3	56003389	1	NUT HEX NYL LOC M8X1.25	
5	56003426	5	NUT HEX NYL LOC SS M6	
6	56003431	6	SCR HEX SS M6 1.00X16MM	
7	56003441	1	SCR HEX LOC M6 1.00X16MM	
8	56185263	2	BEARING SLEEVE E00202	
9	56320595	2	BUSHING .31X.50X.28HC18M	
10	56407411	1	RETAINER SKIRT	
11	56407413	1	ARM MOUNT	
12	56407414	1	BRACKET MOUNT	
13	56407392	1	BLADE DECK NEOPRENE	
13	56407447	1	BLADE DECK GUM	5715492039
14	56407449	1	SKIRT BRACKET WELDT	
15	56470672	1	SPRING EXT .75X3.00RE124K	
16	56003178	1	SCR HEX THD TO HD M8 1.25X16MM	

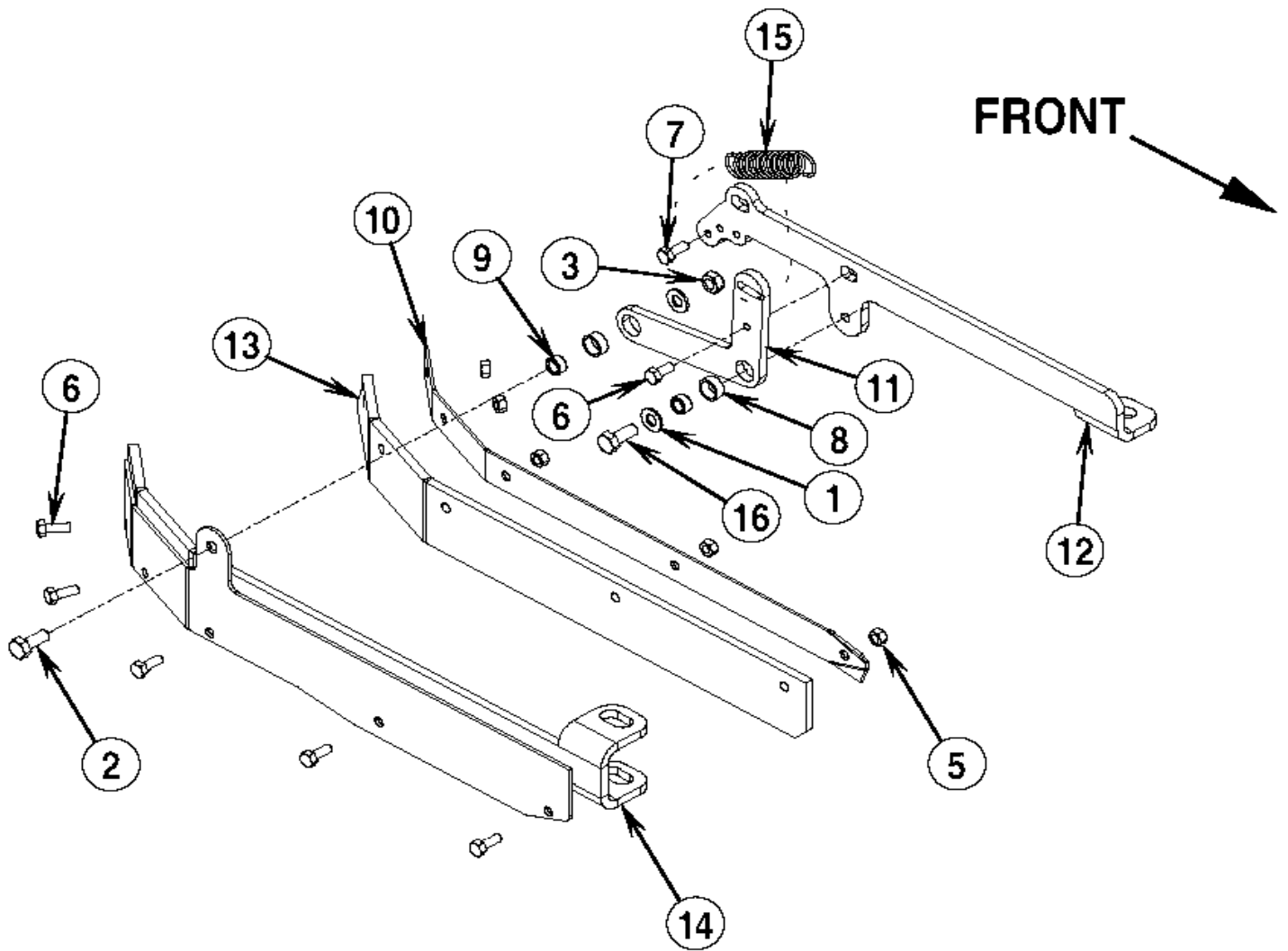
Scrub system right skirt assembly (cylindrica

BR 700

03-04-2010

Part List ID
E69118-B

28



Scrub system right skirt assembly (cylindrical)

BR 700

03-04-2010

Part List ID E69118-B

29

Pos	Part no.	Qty	Description	EAN
	56407470	1	RIGHT SKIRT ASSY	
1	56001939	2	WSH FLT SAE 5/16	
2	56003179	1	SCR HEX THD/HD M8 1.25X20MM	
3	56003389	1	NUT HEX NYL LOC M8X1.25	
5	56003426	5	NUT HEX NYL LOC SS M6	
6	56003431	6	SCR HEX SS M6 1.00X16MM	
7	56003441	1	SCR HEX LOC M6 1.00X16MM	
8	56185263	2	BEARING SLEEVE E00202	
9	56320595	2	BUSHING .31X.50X.28HC18M	
10	56407411	1	RETAINER SKIRT	
11	56407413	1	ARM MOUNT	
12	56407415	1	BRACKET MOUNT	
13	56407392	1	BLADE DECK NEOPRENE	
13	56407447	1	BLADE DECK GUM	5715492039
14	56407448	1	SKIRT BRACKET WELDT	
15	56470672	1	SPRING EXT .75X3.00RE124K	
16	56003178	1	SCR HEX THD TO HD M8 1.25X16MM	

Solution system

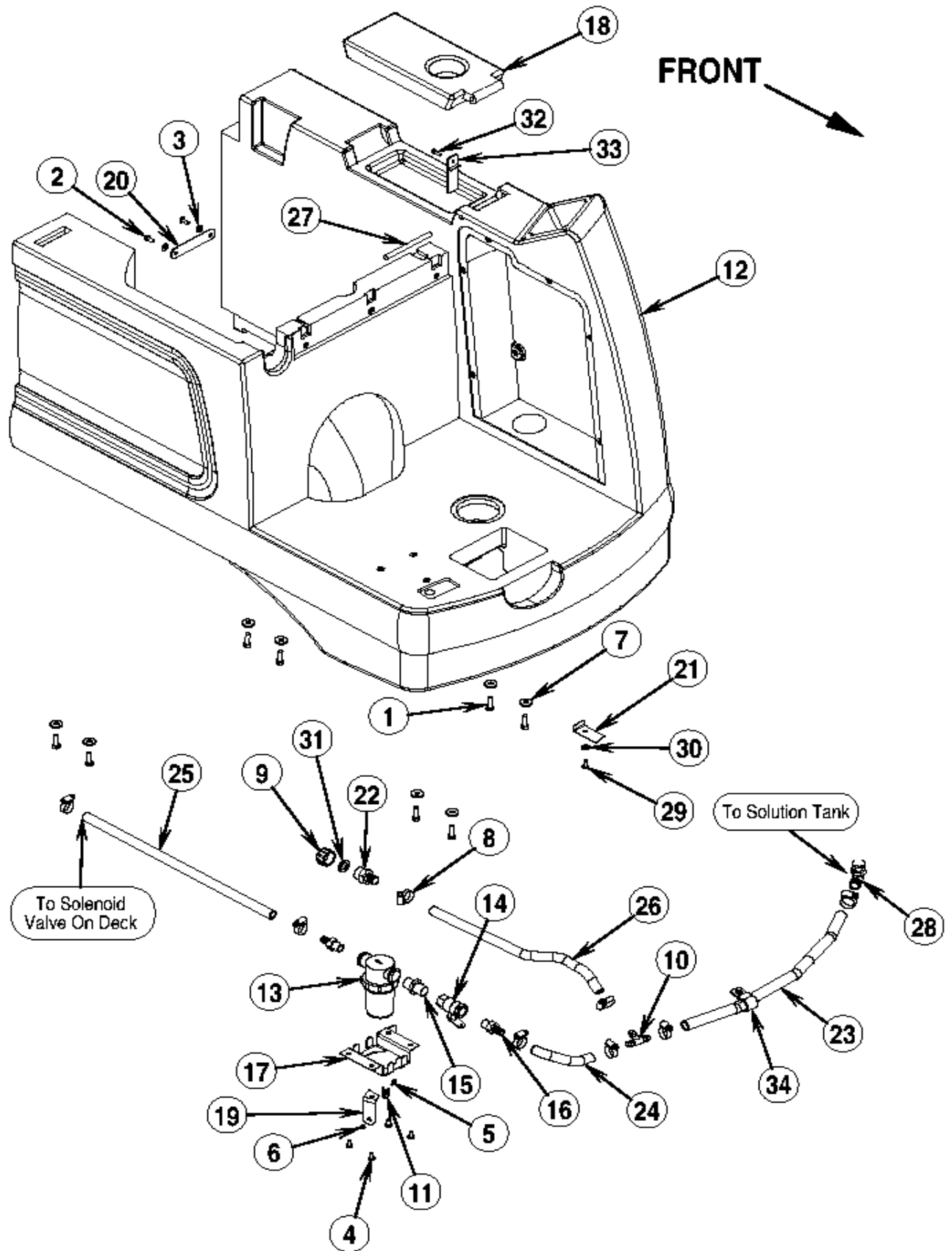
BR 700

03-04-2010

Part List ID

E69120

30



Solution system

BR 700

03-04-2010

Part List ID E69120

31

Pos	Part no.	Qty	Description	EAN
1	56003003	2	SCR PAN PHIL 5/16 18X.62	
2	56002066	2	SCR PAN PHIL 1/4 20 X .62	
3	56002098	2	WSH FLT SAE 1/4	
4	56002145	4	SCR PAN PHIL 1/4 20 X .50	
5	56002589	1	SCR HEX 6 32 X .50	
6	56002830	1	NUT HEX NYL LOC 6 32	
7	56009122	8	WSH FLT .344X.938X.125	
8	56219932	8	CLAMP HOSE SAE 6 E00047	
9	56255076	1	CAP PIPE GHT NYLON FA33K	
10	56262549	1	TEE E00455	
11	56344265	1	CLAMP CABLE AS510A	
12	56412140	1	TANK SOLUTION	
13	56412173	1	SOLUTION FILTER	
14	56412174	1	SOLUTION SHUTOFF VALVE	
15	56412182	1	COUPLING 1/2NPT TO 1/2NPT	
16	56412184	2	BARB ADAPTER 1/2 E00039	
17	56412186	1	BRACKET SOLUTION CONTROL	
18	56412201	1	COVER SOLUTION TANK	
19	56412242	1	CABLE SUPPORT	
20	56412269	1	CABLE RETAINER	
21	56412270	1	BRACKET CABLE SUPPORT	
22	56412273	1	BARB ADAPTER E00039	
23	56412275	1	HOSE SOLUTION E00604	
24	56412276	1	HOSE SOLUTION E00604	
25	56412277	1	SOLUTION HOSE E00604	
26	56409462	1	HOSE .50 X 12.0 E00604	
27	56412279	1	HINGE PIN	
28	56324035	1	ELBOW E00037	
29	56002124	1	SCREW10 24 X .62 PNH PH	
30	56001954	1	WSH FLT SAE 10	
31	56368776	1	WSH FLT RUBBER .625CV80L	
32	56009005	1	SCR PANPHILS TYPE AB 10 16X.75	
33	56412309	1	WATER LEVEL GAUGE	
34	56412332	1	CLAMP HOSE SUPPORT	

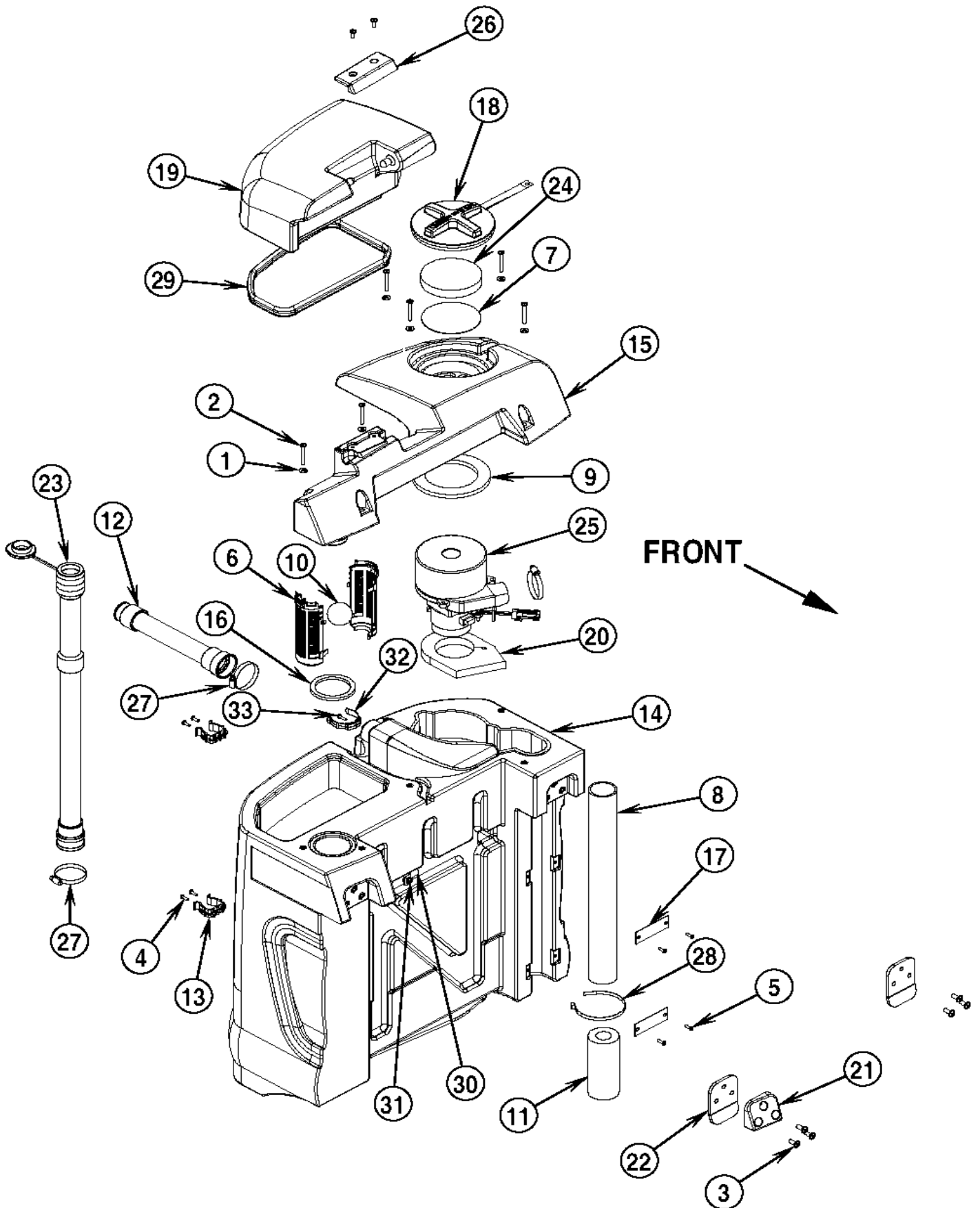
Recovery system

BR 700

03-04-2010

Part List ID
E69122

32



Recovery system

BR 700

03-04-2010

Part List ID

E69122

33

Pos	Part no.	Qty	Description	EAN
1	56002098	6	WSH FLT SAE 1/4	
2	56002108	6	SCR PAN PHIL 1/4 20 X 2.00	
3	56002793	6	SCR PAN PHIL 5/16 18 X .75	
4	56002896	8	SCR PAN PHIL SS 10 24 X .62	
5	56009210	2	SCR PAN PHIL TYPE B 1/4X14X.62	
6	56324497	2	FLOAT CAGE	
7	56325531	1	GRATE	
8	56459937	1	HOSE VAC 2.00 X 20 BLACK	
9	56385437	1	GASKET CL281H	
10	56391690	1	BALL FLOAT	
11	56391807	1	FOAM ACCOUSTICAL	
12	56392170	1	VAC HOSE 1.50 ASSY W/1.5CUFF	
12	56412373	1	VAC HOSE 1.50 ASSY W/2.0CUFF	
13	56407361	2	CLAMP PLASTIC	
14	56412372	1	NILFISK RECOVERY TANK KIT	
14	56412376	1	ADVANCE RECOVERY TANK KIT	
15	56412153	1	VACUUM DUCT	
16	56412154	1	GASKET VACUUM DUCT	
17	56412155	2	BRACKET EXHAUST HOSE	
18	56412156	1	CAP	
18	56412157	1	GASKET CAP	
18	56412158	1	CAP ASSY	
19	56412159	1	COVER RECOVERY TANK	
20	56412160	1	SEPARATOR FOAM	
21	56412163	1	COVER BRACKET	
22	56412164	2	BRACKET TANK	
23	56412206	1	DRAINHOSE	
24	56412217	1	FILTER ROUND	
25	56397098	1	CARBON BRUSH SET	
25	56412300	1	VAC MOTOR ASSY.	
26	56412230	1	HINGE PLASTIC	
27	56440213	3	CLAMP HOSE SAE 32E00047	
28	56477613	1	CABLE TIE E00549 RE409S	
29	56412068	1	GASKET	
30	56469380	1	CLAMP CABLE .75 E00129	
31	56002145	1	SCR PAN PHIL 1/4 20 X .50	
32	56412093	1	HOSE CLAMP	
33	56002192	1	SCR PAN PHIL 10 24 X .75	

Note:

12 56412373 1 Vac Hose Assembly (after SN 1608879 for 2800 & after SN1610480 for BR 700) TSBUS2002-823

12 56392170 1 Hose Assembly (before SN 1608880 for 2800 & before SN 1610481 for BR 700) TSBUS2002-823

14 56412152 1 Tank, Recovery (HR 2800) TSBUS2002-823

14 56412139 1 Tank, Recovery (BR 700) TSBUS2002-823

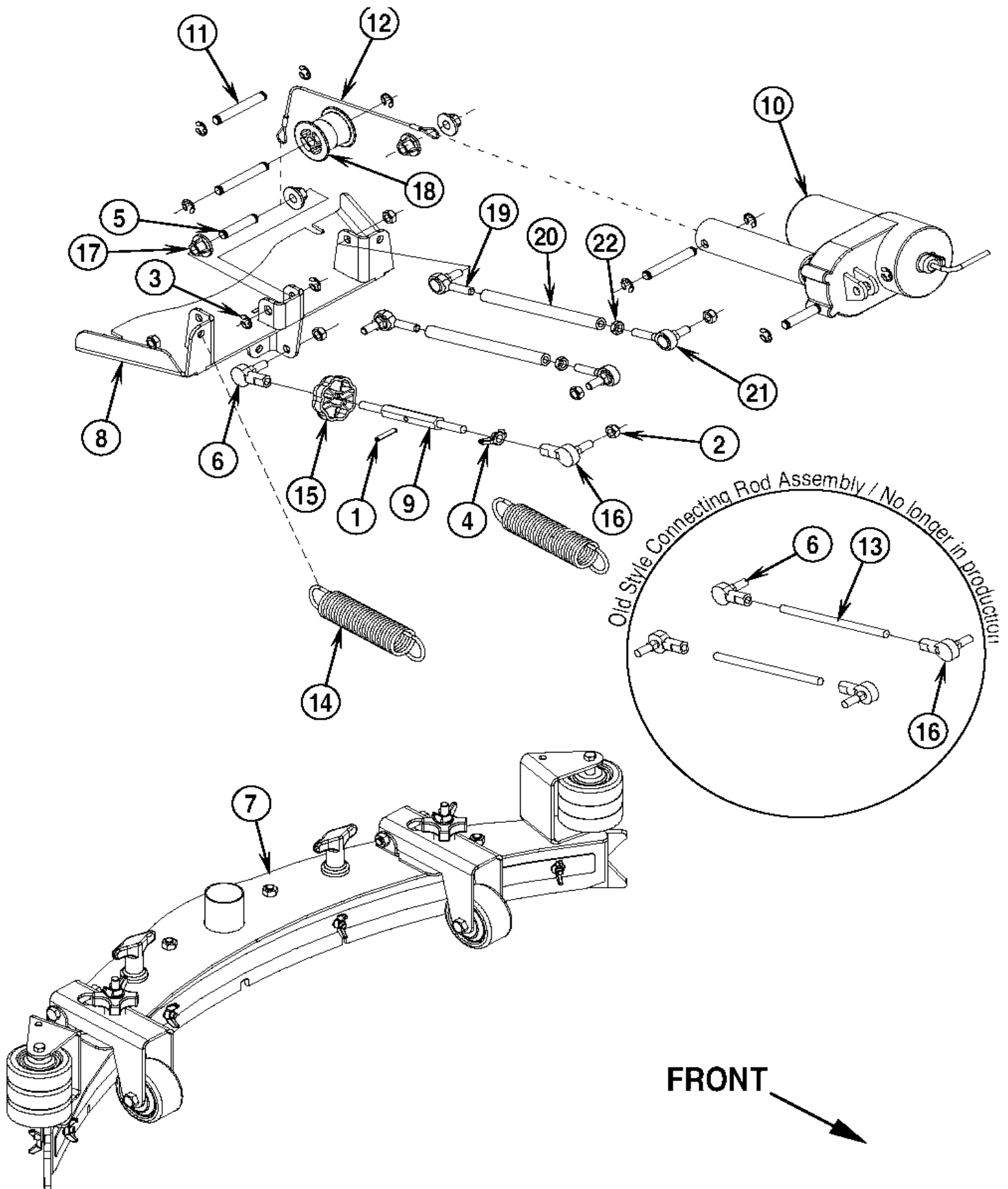
Squeegee system

BR 700

03-04-2010

Part List ID
E69124

34



Squeegee system

BR 700

03-04-2010

Part List ID E69124

35

Pos	Part no.	Qty	Description	EAN
1	56002082	1	PIN SPR .19 X 1.00	
2	56002950	6	NUT HEX NYL LOC 5/16 24	
3	56003262	10	RING RET EXT TYPE E	
4	56003497	1	NUT WING SS 5/16 24	
5	56104760	2	PIN C15J	
6	56395755	3	ROD END	
7	56412025	1	SQUEEGEE ASSY	
8	56412036	1	SQUEEGEE MOUNT WELDT	
9	56412067	1	CONNECTING ROD COMPRESSION	
10	56393790	1	SWITCH LIMIT	
10	56412072	1	ACTUATOR MOTOR	
11	56412088	3	PIN	
12	56412340	1	CABLE ASSEMBLY	
13	56412121	2	CONNECTING ROD	
14	56412216	2	SPRING EXTENSION	
15	56412284	1	KNOB SQUEEGEE ADJUST	
16	56477756	3	ROD END	
17	56412248	4	SPACER	
18	56412208	1	ROLLER	
19	56412313	2	ROD END 5/16 L.H.	
20	56412314	2	CONNECTING ROD	
21	56412312	2	ROD END 5/16 R.H.	
22	56001884	2	NUT HEX JAM 5/16 24	

NOTE* = Item 13 (Connecting Rod) is no longer available. Order a quantity of (1) of each of items 19-22 to

Squeegee assembly

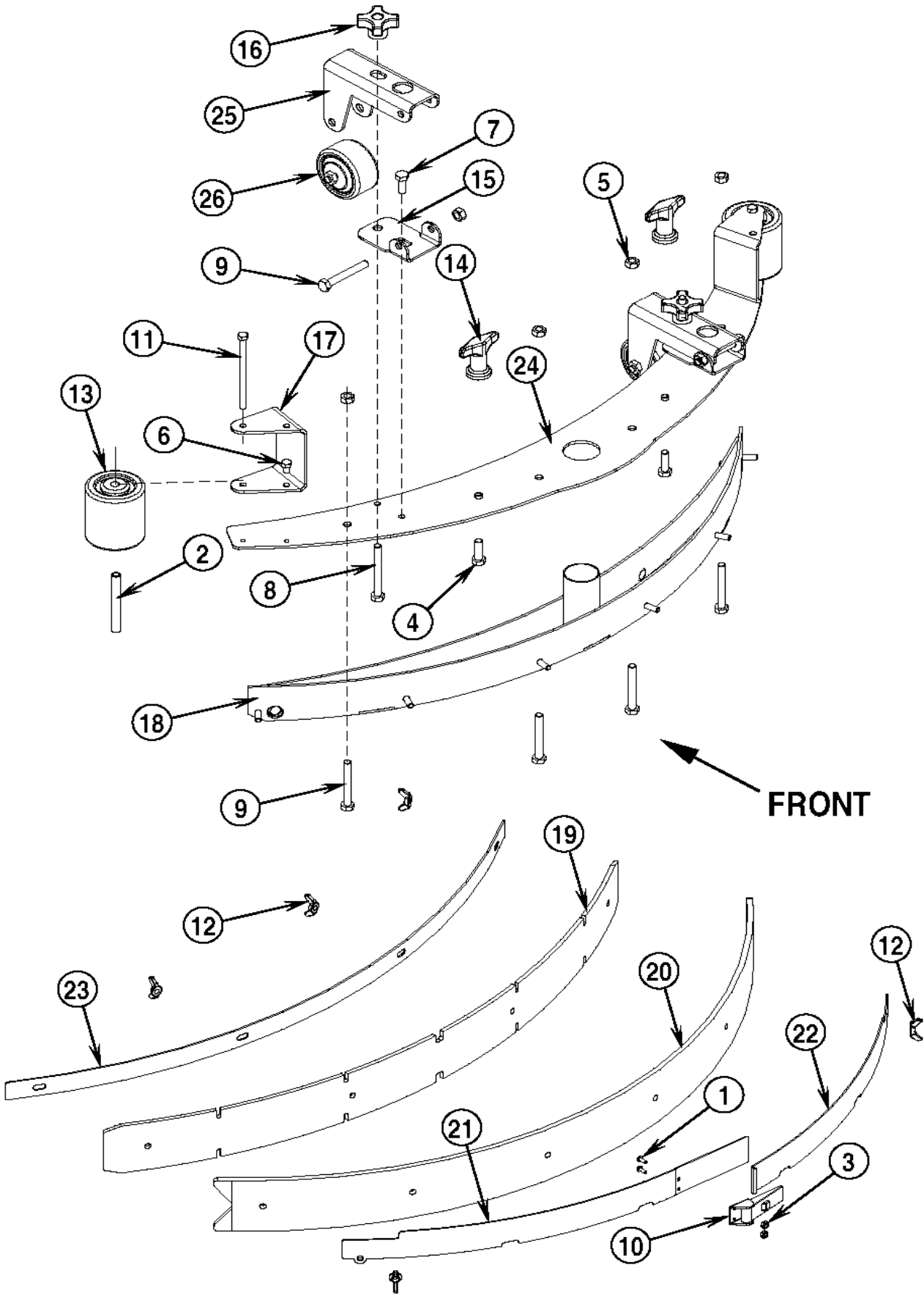
BR 700

03-04-2010

Part List ID

E69126

36



Squeegee assembly

BR 700

03-04-2010

Part List ID E69126

37

Pos	Part no.	Qty	Description	EAN
0	56412025	1	SQUEEGEE ASSY	
0	56412265	1	BLADE KIT SQUEEGEE GUM	
0	56412288	1	BLADE KIT SQUEEGEE NEO	
0	56412337	1	BLADE SQGEE RED GUM FR	
0	56412356	1	SQUEEGEE ASSY	
0	56412369	1	BLADE SQGEE RED GUM FR	
0	56412370	1	BLADE KIT SQUEEGEE GUM	
0	56412371	1	BLADE KIT SQUEEGEE NEO	
1	56002909	2	SCR PAN PHIL SS 6 32 X .38	
2	56412176	2	BUSHING	
3	56002964	2	NUT HEX NYL LOC THIN SS 6 32	
5	56003405	6	NUT HEX NYL LOC SS M8X1.25	
6	56003498	2	SCR HEX HD SS M6 1.0X 10MM	
7	56003435	2	SCR HEX SS M8 1.25X20MM	
8	56003649	2	SCR HX THD2 HD SS 5/16 18X2.75	
9	56003464	6	SCR HEX SS M8 1.25 X 60MM	
10	56471194	1	LATCH ASSY RE32	
11	56003492	2	SCR HEX M6 1.0 X 95MM	
12	56009111	6	NUT WING S.S. 1/4 20	
13	56412459	2	WHEEL	
14	56370711	2	NUT THUMB	
15	56407302	2	BRACKET	
16	56407510	2	KNOB	
17	56407365	2	BRACKET	
18	56412026	1	TOOL WELDT	
18	56412363	1	TOOL WELDT	
19	56412029	1	BLADE SQGEE RED GUM FR	5715492039
19	56412289	1	BLADE SQUEEGEE NEO FR	
19	56412361	1	BLADE SQGEE RED GUM FR	
19	56412367	1	BLADE SQUEEGEE NEO FR	
20	56412030	1	BLADE SQUEEGEE GUM RR	5715492039
20	56412290	1	BLADE SQUEEGEE NEO RR	
20	56412358	1	BLADE SQUEEGEE GUM RR	
20	56412368	1	BLADE SQUEEGEE NEO RR	

Note:

28" Accessories

- ** 56412265 1 Standard Squeegee Blade Kit
- ** 56412288 1 Neoprene Squeegee Blade Kit
- ** 56412337 1 Blade, Front-Tile Linard

32" Accessories

- ** 56412370 1 Standard Squeegee Blade Kit
- ** 56412371 1 Neoprene Squeegee Blade Kit
- ** 56412369 1 Blade, Front-Tile Linard

** = Optional

Squeegee assembly

BR 700

03-04-2010

Part List ID E69126

38

Pos	Part no.	Qty	Description	EAN
21	56412031	1	STRAP REAR	
21	56412360	1	STRAP REAR	
22	56412032	1	STRAP REAR	
22	56412359	1	STRAP REAR	
23	56412033	1	STRAP FRONT	
23	56412362	1	STRAP FRONT	
24	56412035	1	PLATE	
24	56412357	1	PLATE	
25	56412099	2	BRACKET	
26	56412124	2	WHEEL	

Note:

28" Accessories

- ** 56412265 1 Standard Squeegee Blade Kit
- ** 56412288 1 Neoprene Squeegee Blade Kit
- ** 56412337 1 Blade, Front-Tile Linard

32" Accessories

- ** 56412370 1 Standard Squeegee Blade Kit
- ** 56412371 1 Neoprene Squeegee Blade Kit
- ** 56412369 1 Blade, Front-Tile Linard

** = Optional

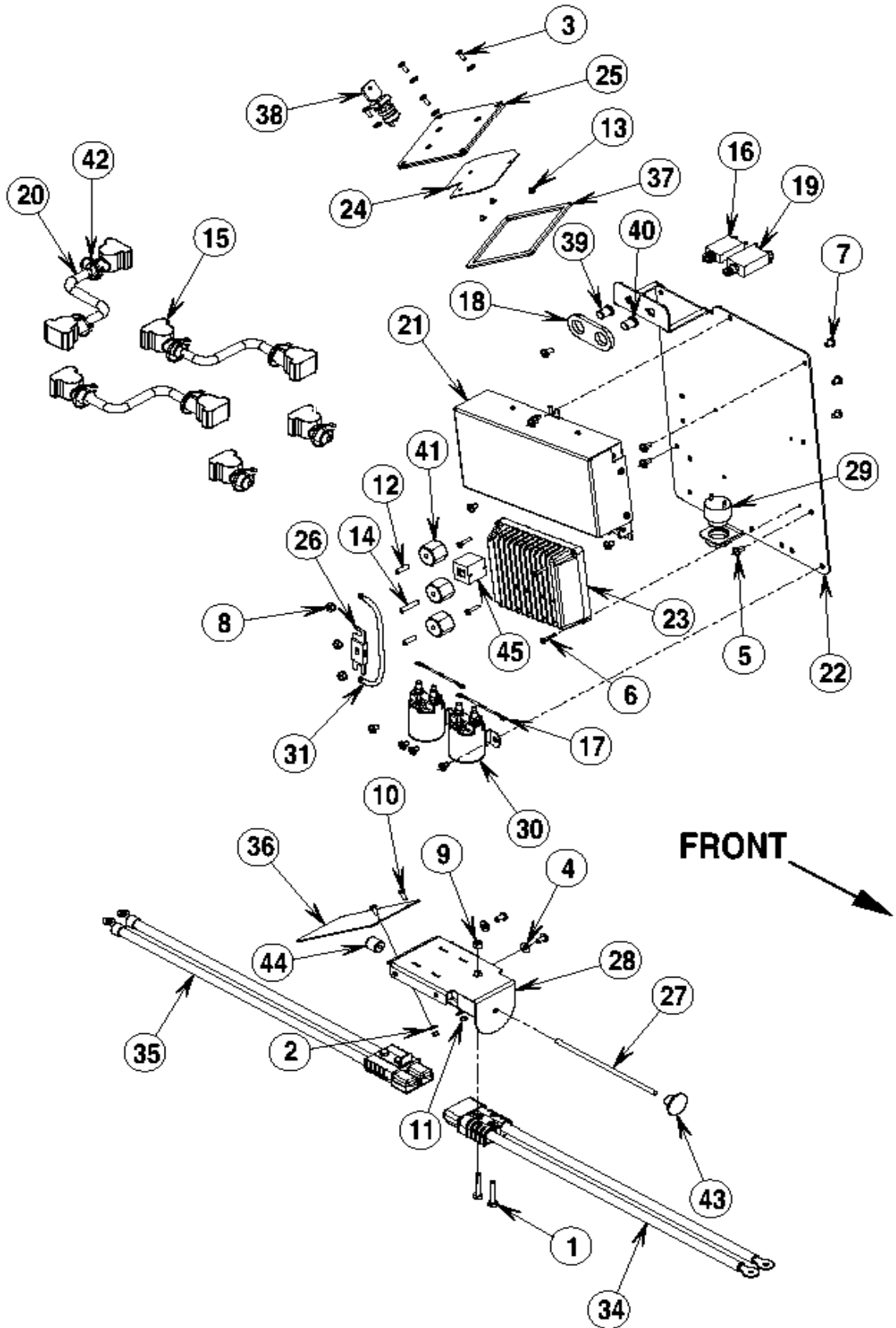
Electrical system

BR 700

03-04-2010

Part List ID
E69128

39



Electrical system

BR 700

03-04-2010

Part List ID
E69128

40

Pos	Part no.	Qty	Description	EAN
0	56409441	1	PROGRAMMER 1311NP USER	
0	56409823	1	PROGRAMMER CABLE	
0	56412181	1	CABLE ASSEMBLY	
0	56412272	1	CHARGER 24 VOLT 120V	
1	56001833	2	SCR HEX 1/4 20 X 1.50	
2	56001954	6	WSH FLT SAE 10	
3	56001993	4	SCREW 10 24 X 0.5 ZINC PL	
4	56002098	2	WSH FLT SAE 1/4	
5	56002145	6	SCR PAN PHIL 1/4 20 X .50	
6	56002318	4	SCR PAN PHIL 8 32 X .88	
7	56002462	11	SCR PAN PHIL 1/4 20 X .38	
8	56002708	3	NUT HEX NYL LOC 1/4 20	
9	56002708	2	NUT HEX NYL LOC 1/4 20	
10	56003377	2	SCR PAN PHIL M5X12MM	
11	56003402	2	NUT HEX NYL LOC M5 X 0.80	
12	56009020	2	STUD 1/4 20 X .88	
13	56009055	3	SCR PAN PHIL 8 32 X .19	
14	56009203	1	STUD 1/4 20X1.31	
15	56372673	8	BOOT BATTERY POST	
16	56387316	1	CIRCUIT BREAKER 10A	
17	56389265	2	RECTIFIER ASSY.	
18	56407193	1	GASKET	
19	56407343	1	CIRCUIT BREAKER 45A	
20	56409485	3	CABLE ASSY.1 X 15.00	
21	56412050	1	CONTROL BOX ASSEMBLY	
22	56412051	1	PANEL ELECTRICAL	
23	56412053	1	CONTROLLER 24V	
23	56412318	1	CONTROLLER 24V	
24	56412081	1	DISPLAY PCB ASSEMBLY	
25	56412085	1	DISPLAY PANEL ASSY	
26	56412089	1	FUSE 150 AMP	
27	56412127	1	ROD DISCONNECT	
28	56412130	1	DISCONNECT SUPPORT WELDT	
29	56412177	1	HORN BACKUP ALARM	
30	56412179	2	CONTACTOR 24 VDC	
31	56412180	1	CABLE ASSY	
34	56412228	1	CABLE ASSY 1 AWG	
35	56412229	1	CABLE ASSY 1 AWG	
36	56412264	1	SPLASH GUARD	
37	56412274	1	GASKET	
38	56420113	1	SWITCH KEY	
39	56459367	1	BOOT RESET BUTTON E00585	

Electrical system

BR 700

03-04-2010

Part List ID E69128

41

Pos	Part no.	Qty	Description	EAN
40	56459368	1	BOOT RESET BUTTON E00585	
41	56469858	3	INSULATED STANDOFF	
42	56478246	8	CABLE TIE E00549 RE438BA	
43	56478605	1	KNOB 1.37 X 1/4 28	
44	56478660	1	BLOCK RE436F	
45	56412299	1	CABLE SUPPRESSION CORE	

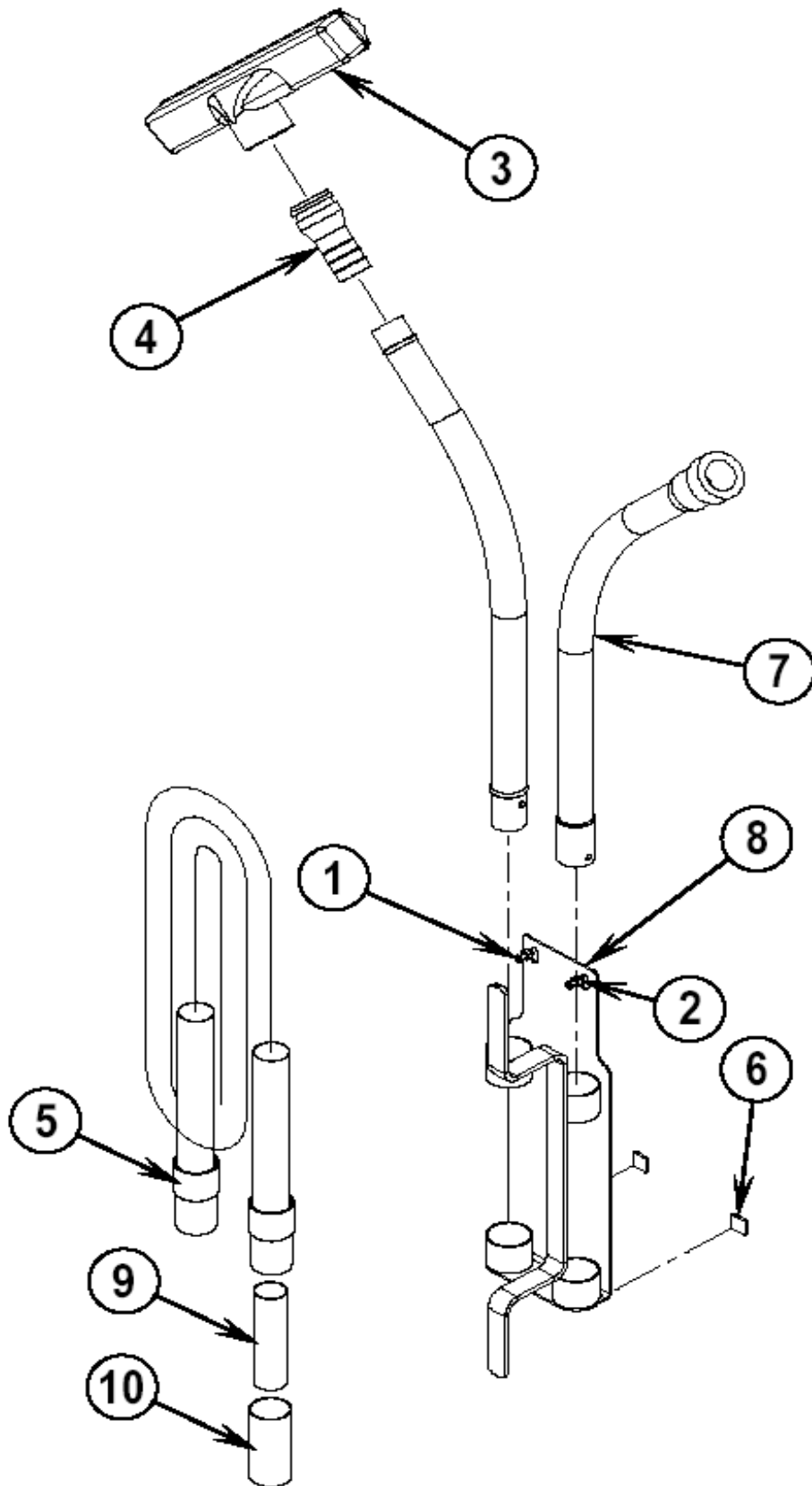
Optional kits

BR 700

03-04-2010

Part List ID
E69130-A

42



Optional kits

BR 700

03-04-2010

Part List ID
E69130-A

43

Pos	Part no.	Qty	Description	EAN
0	56040686	1	INSTRUCTION SHEET	
0	56412223	1	VACUUM WAND CADDY KIT	
1	56002124	2	SCREW10 24 X .62 PNH PH	
2	56412310	2	BUSHING STEPPED	
3	56205114	1	SQUEEGEE TOOL 14A S	
4	56301339	1	1.5 COUPLER	
5	56329062	1	VAC HOSE 1.50	
6	56402940	2	BUMPER .812 SQ CR666	
7	56409563	1	WAND 2 PIECE	
8	56412227	1	CADDY WELDT	
9	56204536	1	COUPLER EXTENSION HP63	
10	56314399	1	COUPLER	

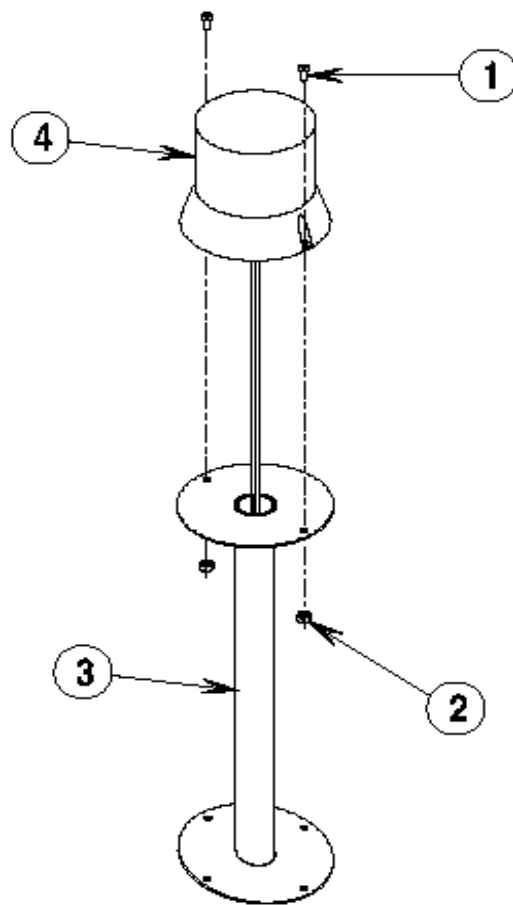
Optional kits

BR 700

03-04-2010

Part List ID
E69130-B

44



Optional kits

BR 700

03-04-2010

Part List ID
E69130-B

45

Pos	Part no.	Qty	Description	EAN
0	56040687	1	INSTRUCTION SHEET	
0	56412224	1	BEACON KIT	
1	56001993	2	SCREW 10 24 X 0.5 ZINC PL	
2	56002832	2	NUT HEX NYL LOC THIN 10 24	
3	56412253	1	BEACON WELDT	
4	56416433	1	STROBE	
4	56416435	1	LENS AMBER	Machine outphased 2006
4	56416436	1	FLASH TUBE	

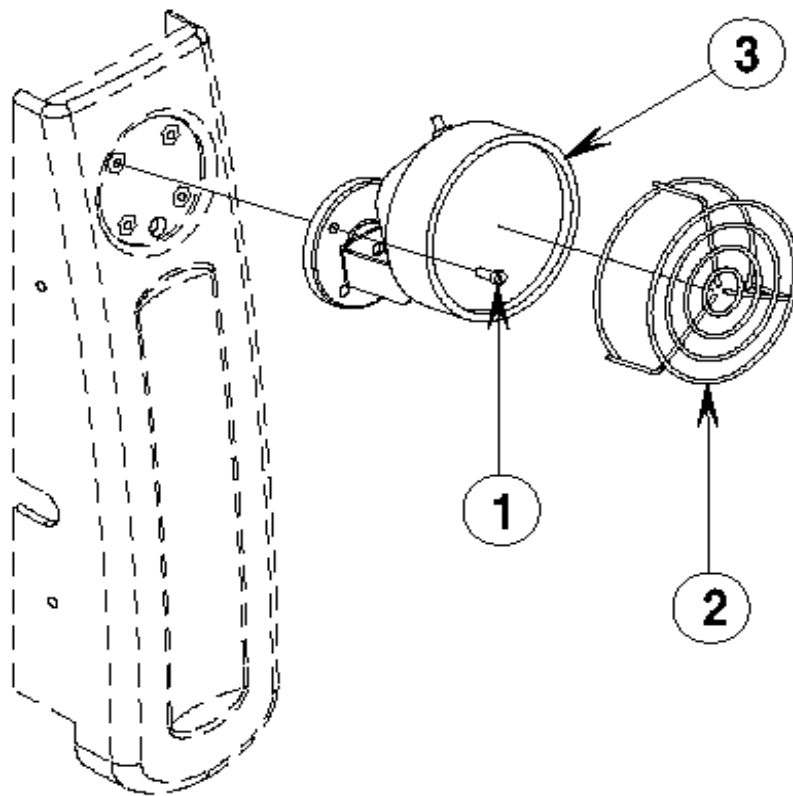
Optional kits

BR 700

03-04-2010

Part List ID
E69130-C

46



Optional kits

BR 700

03-04-2010

Part List ID
E69130-C

47

Pos	Part no.	Qty	Description	EAN
0	56040688	1	INSTRUCTION SHEET	
0	56412222	1	HEADLIGHT KIT	
1	56002507	4	SCR PAN PHIL 1/4 20 X .75	
2	56409557	1	GUARD HEADLIGHT	
3	56172230	2	TERM. .250 INS. TAB	
3	56412185	1	HEADLIGHT 24V	

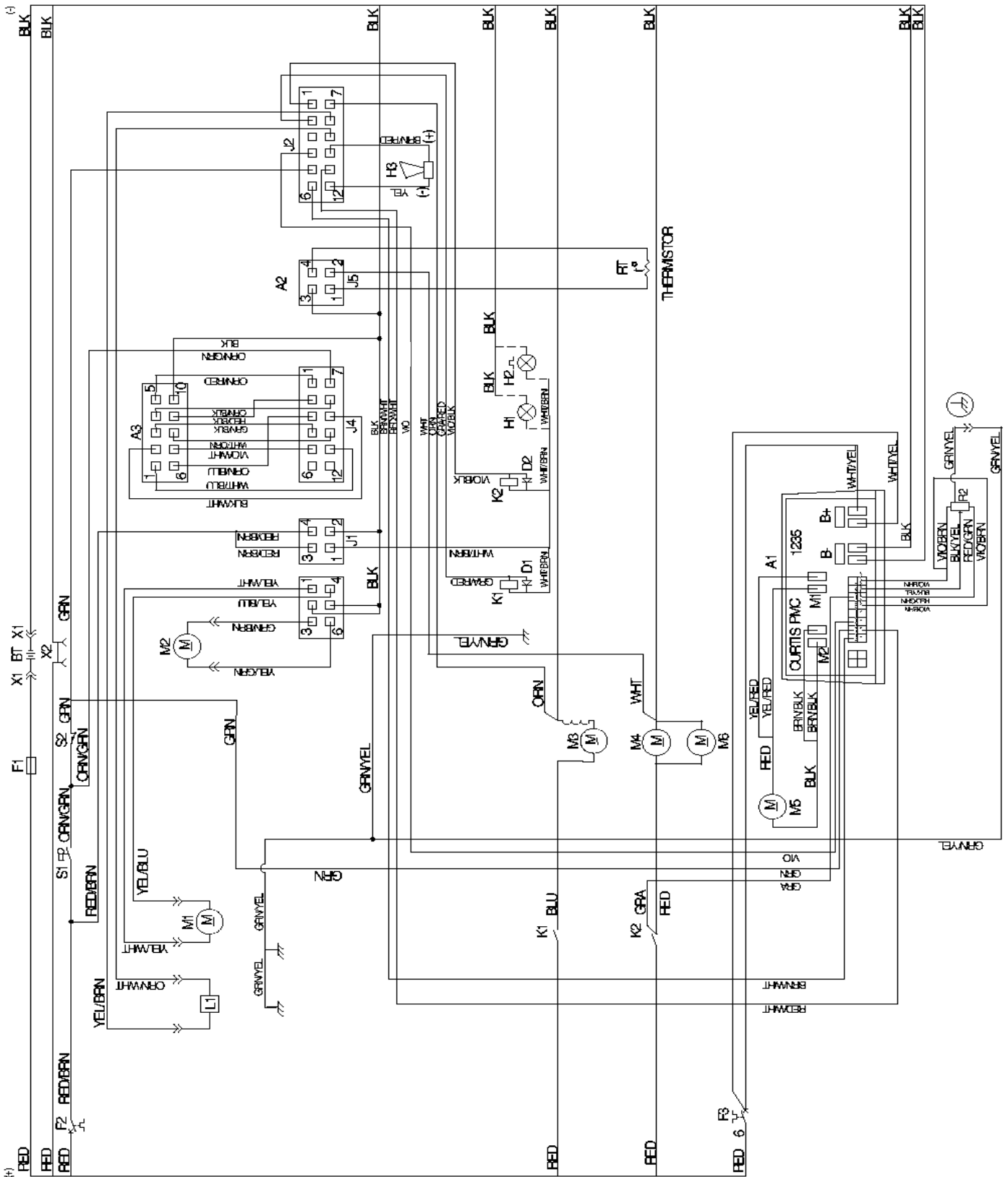
Wiring diagram

BR 700

03-04-2010

Part List ID
E69132

48



Wiring diagram

BR 700

03-04-2010

Part List ID E69132

49

Pos	Part no.	Qty	Description	EAN
A1	56412053	1	CONTROLLER 24V	
A1	56412318	1	CONTROLLER 24V	
A2	56412050	1	CONTROL BOX ASSEMBLY	
A3	56412081	1	DISPLAY PCB ASSEMBLY	
BT	56388582	6	BATTERY 6V 420AH WET	Machine outphased 2003
D1	56389265	1	RECTIFIER ASSY.	
D2	56389265	1	RECTIFIER ASSY.	
F1	56412089	1	FUSE 150 AMP	
F2	56387316	1	CIRCUIT BREAKER 10A	
F3	56407343	1	CIRCUIT BREAKER 45A	
H1	56412185	1	HEADLIGHT 24V	
H2	56416433	1	STROBE	
H3	56412177	1	HORN BACKUP ALARM	
K1	56412179	1	CONTACTOR 24 VDC	
K2	56412179	1	CONTACTOR 24 VDC	
L1	56412076	1	SOLENOID VALVE ASY	
M1	56393303	1	ACTUATOR	
M2	56412072	1	ACTUATOR MOTOR	
M3	56397098	1	CARBON BRUSH SET	
M3	56412218	1	MOTOR VAC 24VDC	
M4	56412178	1	MOTOR 24 VDC .75 HP	
M4	56412214	1	MOTOR 1.5HP 24VDC	
M5	56412168	1	DRIVE MOTOR WHEEL	
M6	56412178	1	MOTOR 24 VDC .75 HP	
R2	56454740	1	POTENTIOMETER 5K	
S1	56420113	1	SWITCH KEY	
S2	56409613	1	SWITCH SEAT	

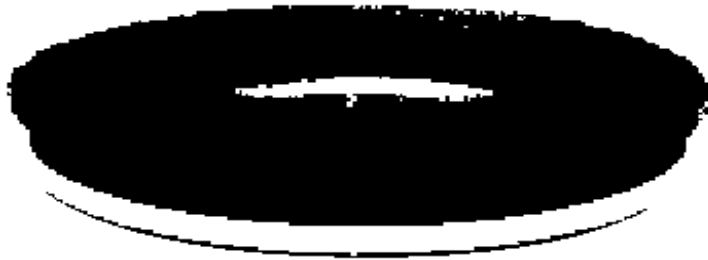
Brush selector guide (disc)

BR 700

03-04-2010

Part List ID E69134

50



Brush selector guide (disc)

BR 700

03-04-2010

Part List ID E69134

51

Pos	Part no.	Qty	Description	EAN
0	56505800	1	PAD HOLDER 14 3 LUG	
0	56505801	1	DISC BRUSH 14 MAGNAGRIT 3 LUG	
0	56505802	1	DISC BRUSH 14 DYNAGRIT 3 LUG	
0	56505803	1	DISC BRUSH 14 AGLITE 3 LUG	
0	56505804	1	DISC BRUSH 14 PROLENE 3 LUG	
0	56505805	1	DISC BRUSH 14 PROLITE 3 LUG	
0	56505806	1	DISC BRUSH 14 UNION MIX 3 LUG	
0	56505807	1	DISC BRUSH 14 MIDGRIT 3 LUG	
0	56505808	1	DISC BRUSH 14 MIDLITE 3 LUG	

Brush selector guide (cylindrical)

BR 700

03-04-2010

Part List ID E69135

52



Brush selector guide (cylindrical)

BR 700

03-04-2010

Part List ID E69135

53

Pos	Part no.	Qty	Description	EAN
0	56407473	1	BRUSH SOFT NYLON 32 YELLOW	
0	56407474	1	BRUSH HARD NYLON 32 NATURAL	
0	56407475	1	BRUSH POLYPROPYLENE 32 RED	
0	56407476	1	BRUSH 180 GRIT 32 BLUE/GREY	
0	56407477	1	BRUSH 80 GRIT 32 BLACK	
0	56407478	1	BRUSH 46 GRIT 32 ORANGE/BROWN	
0	56412046	1	BRUSH POLYPROPYLENE 28 RED	
0	56412191	1	BRUSH SOFT NYLON 28 YELLOW	
0	56412192	1	BRUSH HARD NYLON 28 NATURAL	
0	56412193	1	BRUSH 180 GRIT 28 BLUE/GREY	
0	56412194	1	BRUSH 80 GRIT 28 BLACK	
0	56412195	1	BRUSH 46 GRIT 28 ORANG/BROWN	

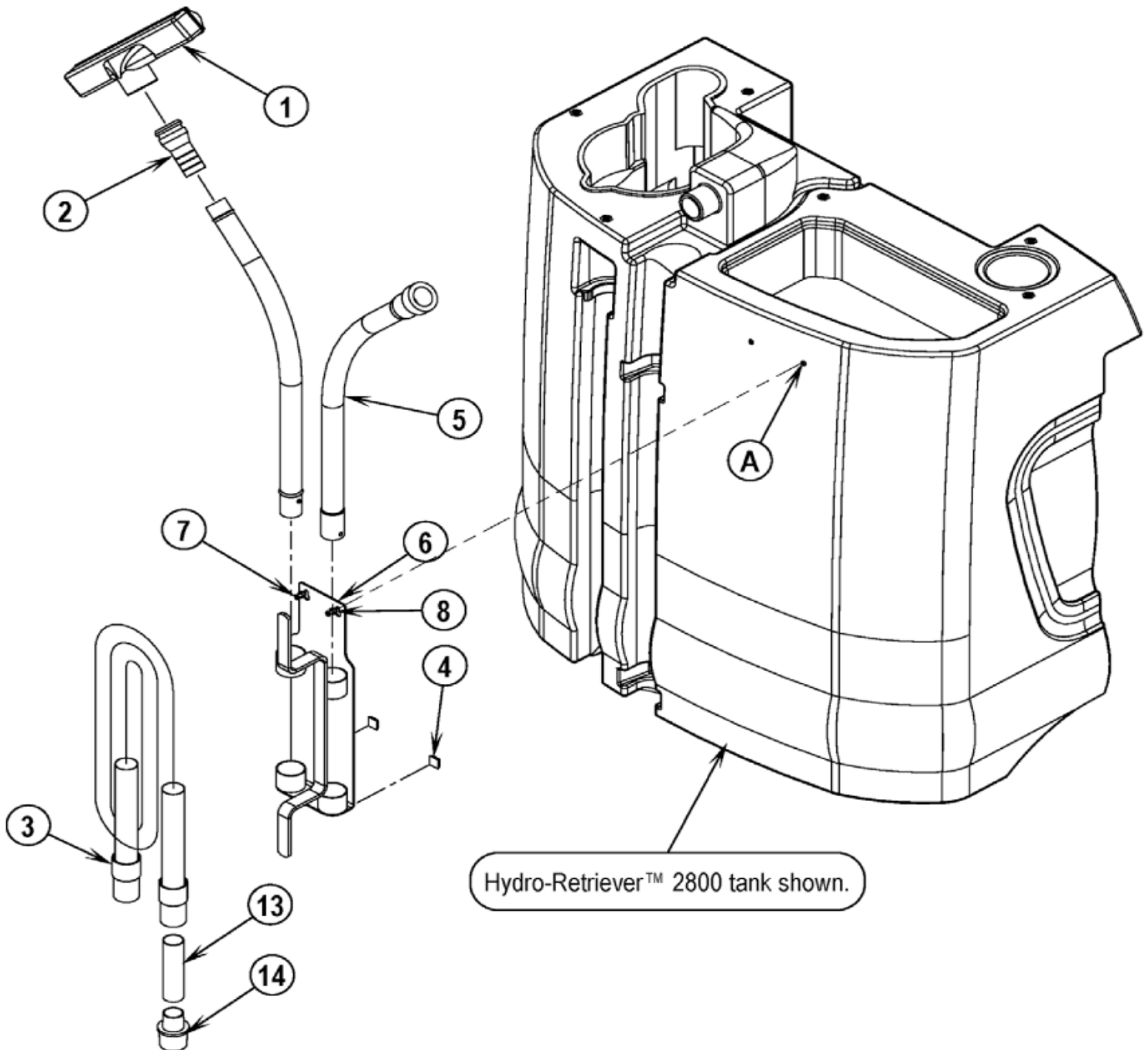
56412223 - Vacuum Wand Caddy Kit with inser

BR 700

03-04-2010

Part List ID
IS56040686A

54



56412223 - Vacuum Wand Caddy Kit with inser

BR 700

03-04-2010

Part List ID
IS56040686A

55

Pos	Part no.	Qty	Description	EAN
	56040686	1	INSTRUCTION SHEET	
1	56205114	1	SQUEEGEE TOOL 14AS	
2	56301339	1	1.5 COUPLER	
3	56329062	1	VAC HOSE 1.50	
4	56402940	2	BUMPER .812 SQ CR666	
5	56409563	1	WAND 2 PIECE	
6	56412227	1	CADDY WELDT	
7	56002124	2	SCREW10 24 X .62 PNH PH	
8	56412310	2	BUSHING STEPPED	
13	56204536	1	COUPLER EXTENSION HP63	

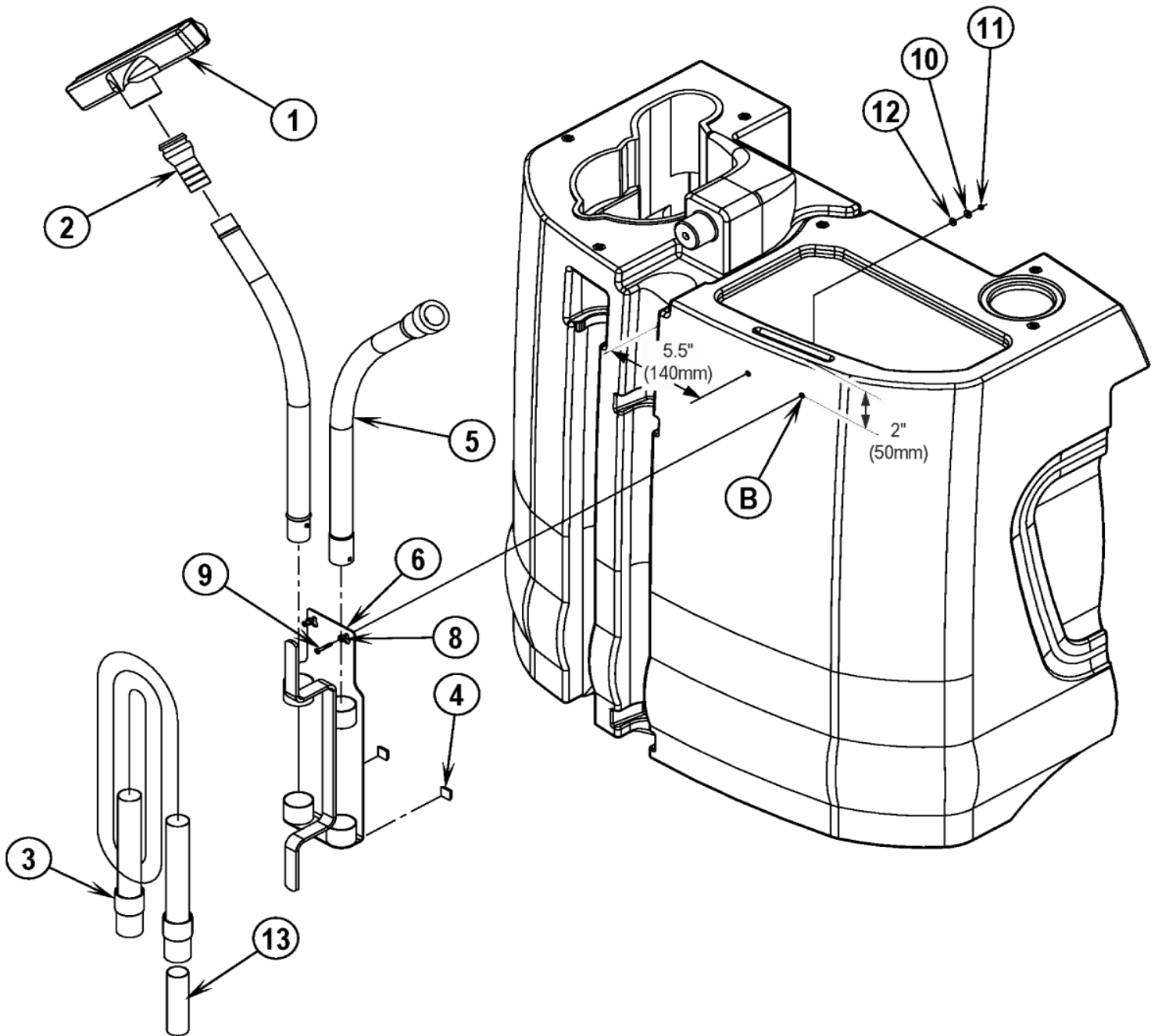
56412223 - Vacuum Wand Caddy Kit without ins

BR 700

03-04-2010

Part List ID
IS56040686B

56



56412223 - Vacuum Wand Caddy Kit without ins

BR 700

03-04-2010

Part List ID
IS56040686B

57

Pos	Part no.	Qty	Description	EAN
	56040686	1	INSTRUCTION SHEET	
1	56205114	1	SQUEEGEE TOOL 14AS	
2	56301339	1	1.5 COUPLER	
3	56329062	1	VAC HOSE 1.50	
4	56402940	2	BUMPER .812 SQ CR666	
5	56409563	1	WAND 2 PIECE	
6	56412227	1	CADDY WELDT	
8	56412310	2	BUSHING STEPPED	
10	56009205	2	WSH FLT SS .219X.500X.047/.062	
11	56002836	2	NUT HEX NYL LOC SS 10 24	
13	56204536	1	COUPLER EXTENSION HP63	

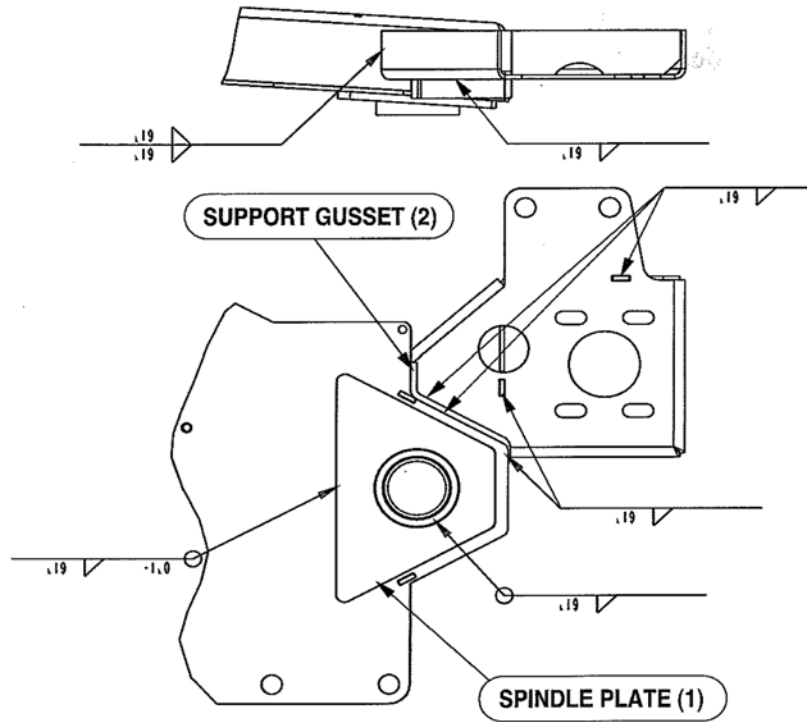
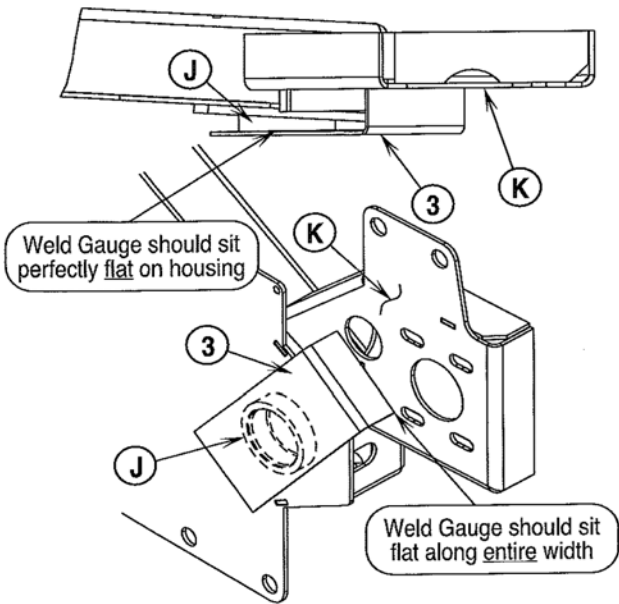
56412464 - Spindle Repair Kit

BR 700

03-04-2010

Part List ID
IS56040744

58



56412464 - Spindle Repair Kit

BR 700

03-04-2010

Part List ID
IS56040744

59

Pos	Part no.	Qty	Description	EAN
0	56412464	1	SPINDLE REPAIR KIT	