



Nilfisk-CFM S.p.A.

Sede Legale:
Via F. Turati, 16/18
20121 Milano

Sede Operativa:
Via Porrettana, 1991
41059 Zocca (Modena) Italy
Tel. +39 059 9730000
Fax. +39 059 9730099
www.nilfisk-cfm.com
info@nilfisk-cfm.com

Product information

Number : Spare Parts 01-2010

Date : 02/12/2010

Issued by : Giordano Leonelli

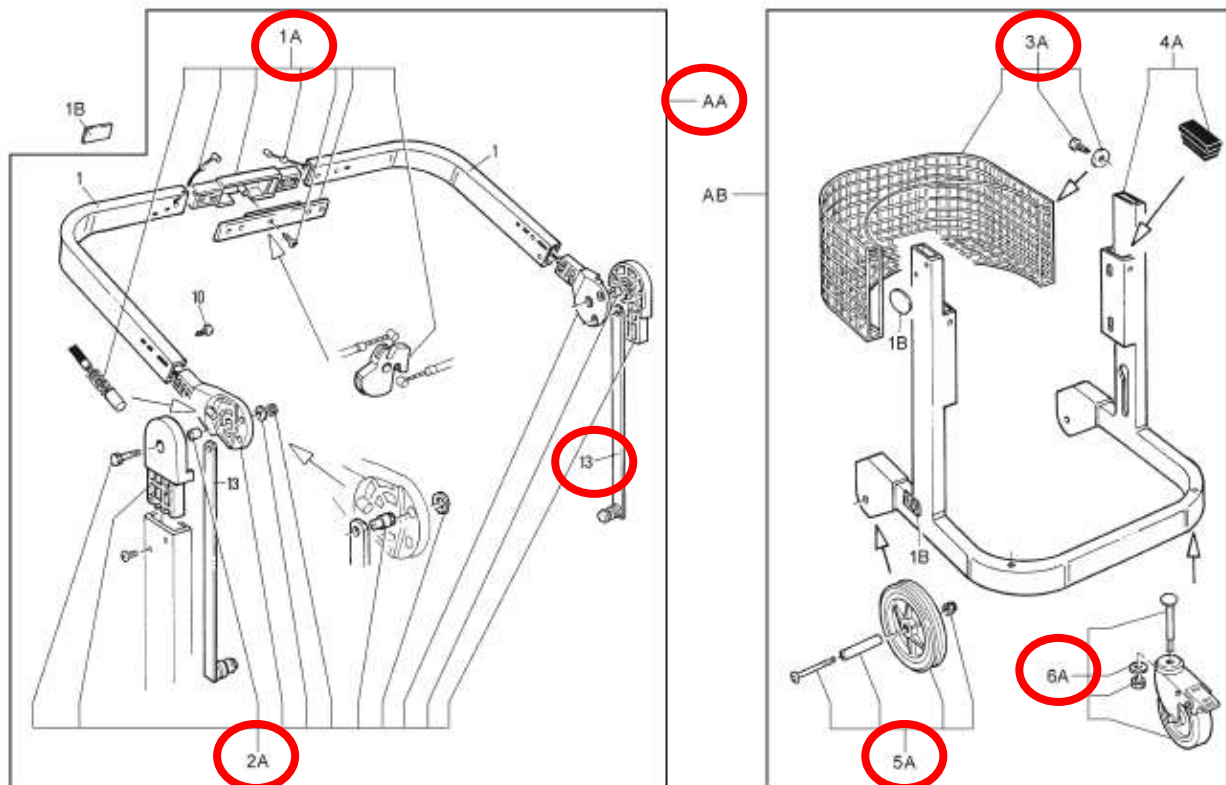
Available spare parts for models 127-137



Following introduction of new models S2-S3, below you can find spare parts still available for replaced models 127-137.



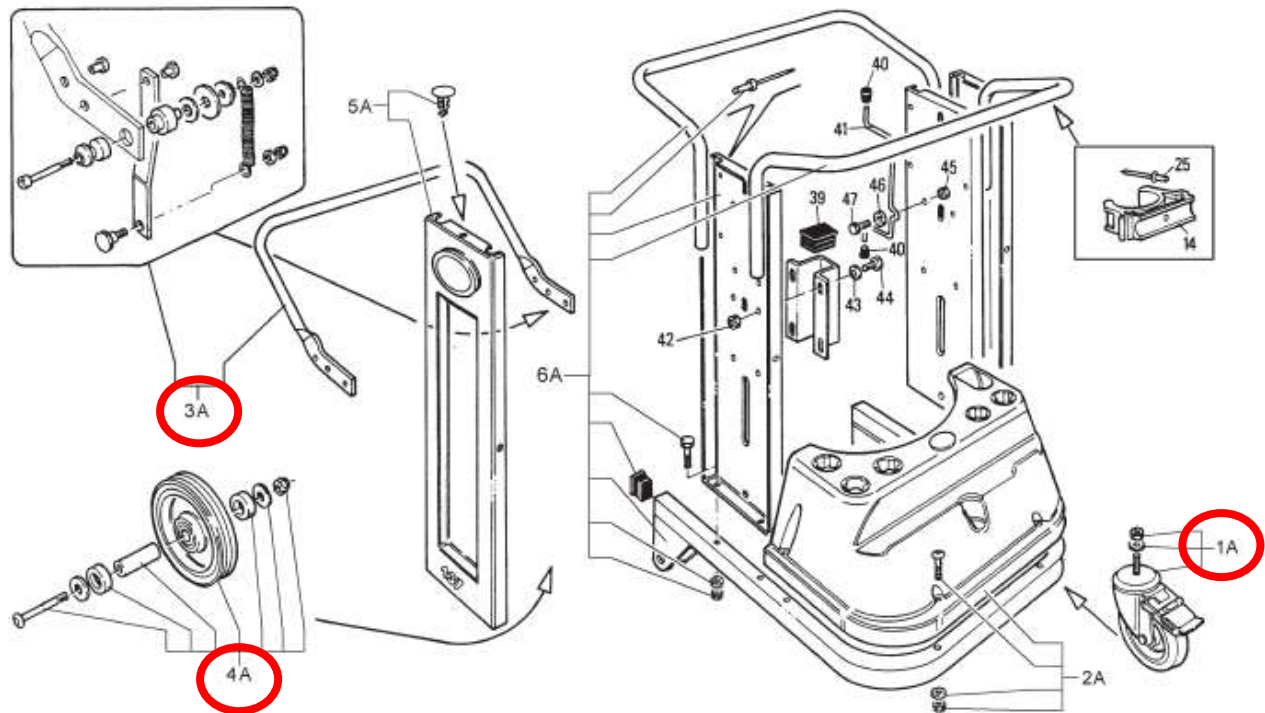
- Frame (127)



Position	Part Number	Description
1 A	40000347	Kit central body for handgrip
2 A	40000348	Kit joint for handgrip
3 A	40000349	Kit accessories holder
5 A	40000351	Kit fixed wheel D.150
6 A	40000352	Kit fixed wheel D.150
13	Z8 34021	Kit castor D.100
AA	Z8 36187	Complete handgrip



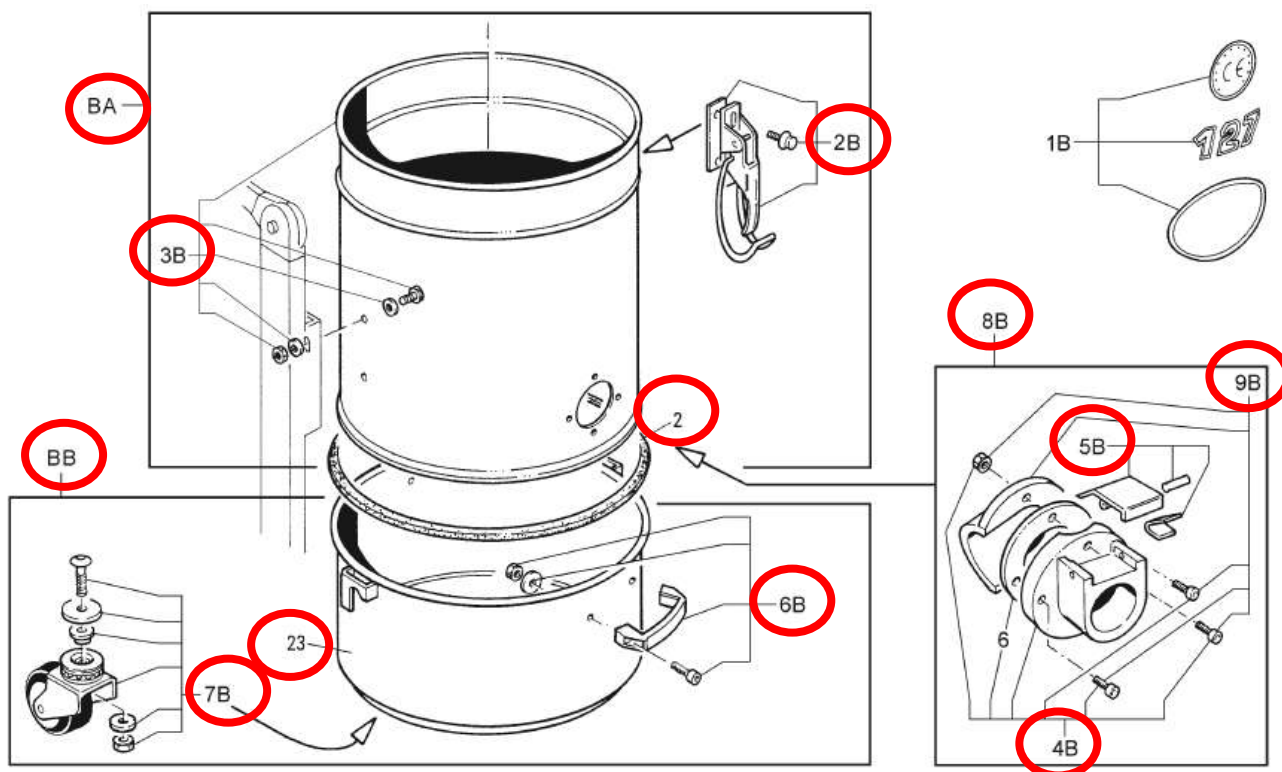
- Frame (137)



Position	Part Number	Description
1 A	40000490	Kit castor D.150
3 A	40000485	Kit release lever D.460
4 A	40000486	Kit fixed wheel D.150



- Container and filter chamber (127)



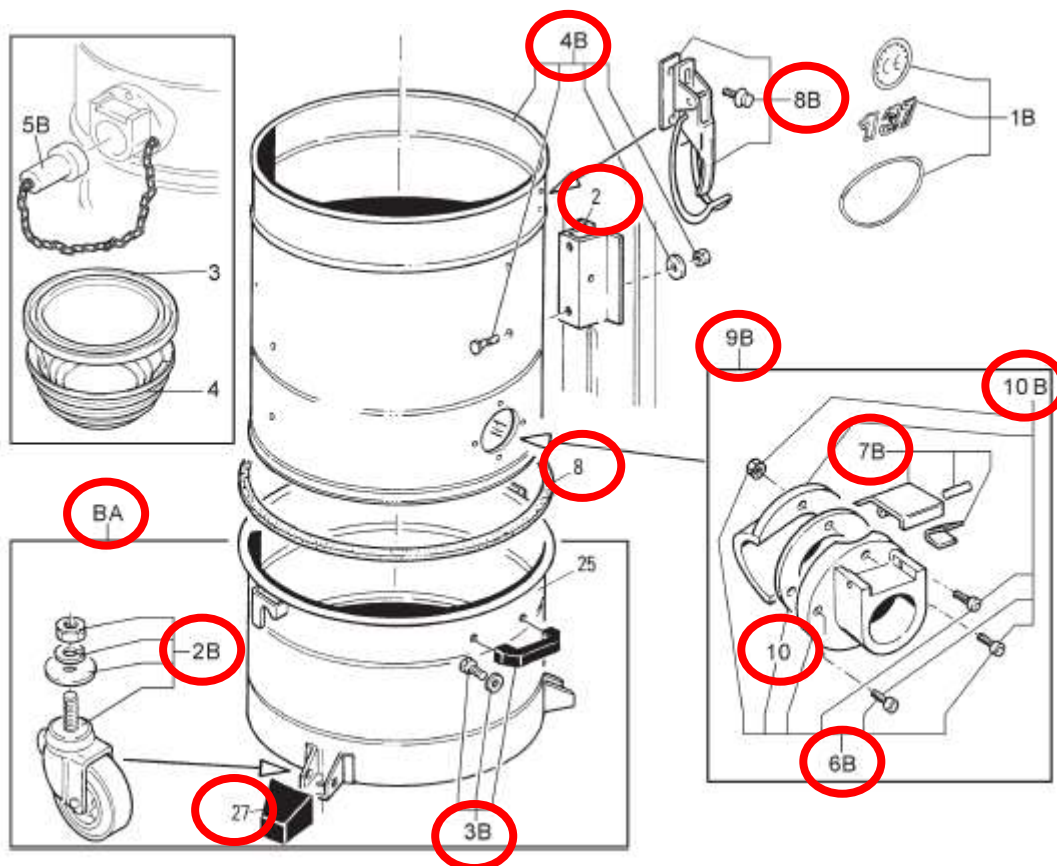
Position	Part Number	Description
2	40000762	Seal
23	Z8 30207	Stainless steel container
2 B	40000321	Kit cap lock fe
2 B	40000322	Kit cap lock inox
3 B	40000354	Kit filter chamber D.460
3 B	40000355	Kit filter chamber D.460 inox
4 B	40000867	Kit inlet D.70
4 B	40000344	Kit inlet inox D.70
5 B	40000345	Kit pushbutton for inlet D.70
6 B	40000356	Kit handle fe



7 B	40000358	Kit wheels for container Fe
7 B	40000359	Kit wheels for container inox
8 B	40000868	Kit complete inlet D.70
8 B	40000398	Kit complete inlet D.70 inox
9 B	40000395	Kit deflector D.70
9 B	40000396	Kit deflector D.70 inox
B A	Z8 31536	Complete filter chamber
B B	Z8 30165	Complete container



- Container and filter chamber (137)



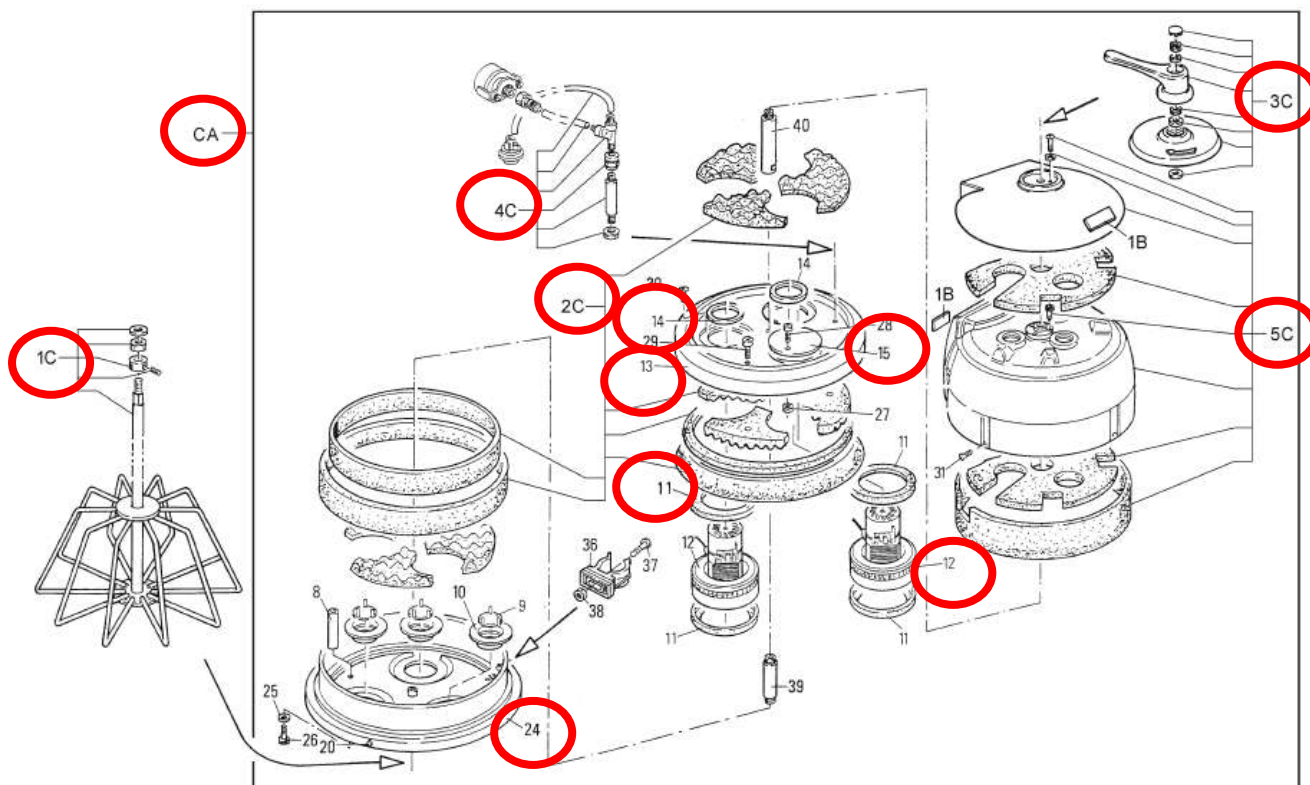
Position	Part Number	Description
2	Z8 14260	Bracket
8	40000762	Seal
10	Z8 17006	Seal
27	Z8 17021	Bumper
2 B	40000419	Kit castors for container
2 B	40000484	Kit castors for container inox
3 B	40000340	Kit handle (Lt.60 inox)
3 B	40000423	Kit handle
4 B	40000496	Kit filter chamber D.460



6 B	40000867	Kit inlet D.70
7 B	40000345	Kit pushbutton for inlet D.70
8 B	40000321	Kit cap lock
9 B	40000868	Kit complete inlet D.70
10 B	40000395	Kit deflector D.70
B A	Z8 30088	Complete container Lt.60
B A	Z8 30124	Complete container Lt.60 inox
B A	Z8 30291	Complete container Lt.100
B A	Z8 30295	Complete container Lt.100 inox



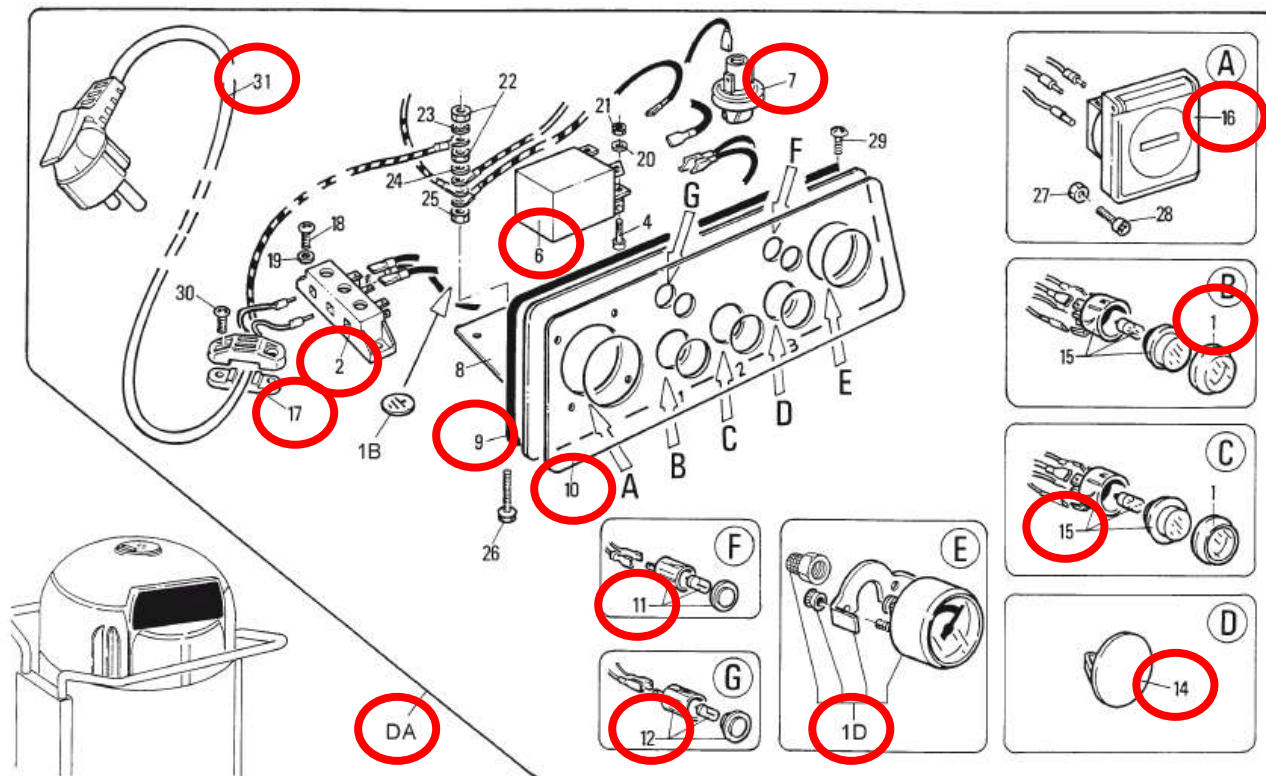
- Motor head (127-137)



Position	Part Number	Description
11	Z8 17325	Seal
12	Z8 54002	Engine
13	Z8 16179	Motor fixing device
14	Z8 17326	Seal
15	Z8 16187	Bottom
24	Z8 35048	Engine holder 127
24	Z8 35048	Engine holder 137
1C	40000360	Kit filter shaker cage
2C	Z8 17324	Kit soundproof
3C	40000361	Kit filter shaker lever
4C	40000362	Kit pressure gauge connection



5C	Z8 35128	Complete motor cover x head
----	----------	-----------------------------



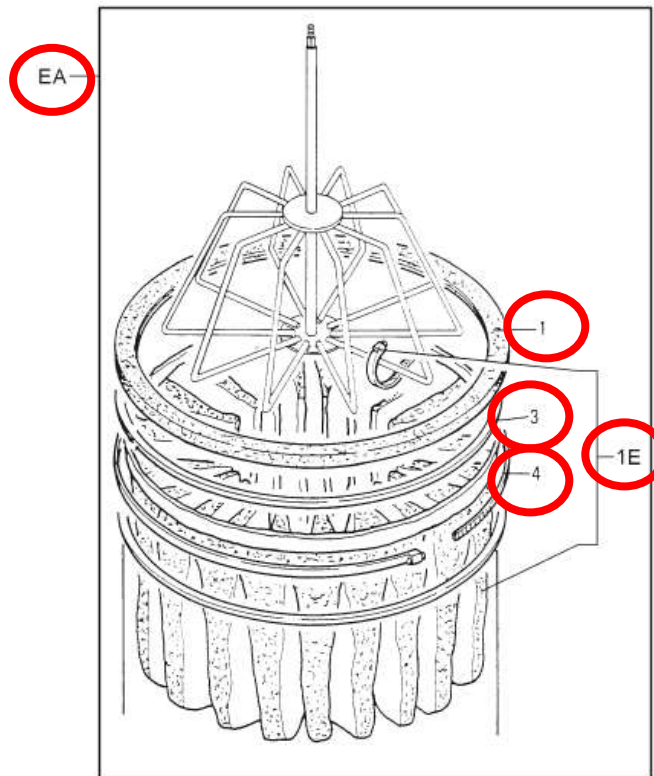
Position	Part Number	Description
1	Z8 39531	Hood
2	Z8 39528	Connection block
6	Z8 39533	Anti disturber
7	Z8 40403	Pressure switch
9	Z8 17327	Seal
10	Z8 17336	Decal
11	Z8 39530	Warning light
12	Z8 39526	Warning light
14	Z8 39532	Plug
15	Z8 39525	Switch



16	Z8 39527	Socket
17	Z8 39529	Clamp
31	Z8 39016	Cable
1D	40000363	Kit vacuum gauge 3000
DA	Z8 41097	Complete electronic instal 127
DA	Z8 41098	Complete electronic instal 137
CA+DA	Z8 53127/1	Complete head 127
CA+DA	Z8 53137/1	Complete head 137



- Filter unit (127-137)



Position	Part Number	Description
1E	40000338	Kit star filter D.460
1E	40000492	Kit star filter D.460 M class
EA	Z8 33068	Complete filter
EA	Z8 33151	Complete filter M Class
1	Z8 17026	Seal
1	Z8 17126	Silicone seal
3	Z8 15003	Ring
3	Z8 15010	Stainless steel ring
4	Z8 18079	Tie

Cordialmente,

Giordano Leonelli
Spare parts and Service Product Manager