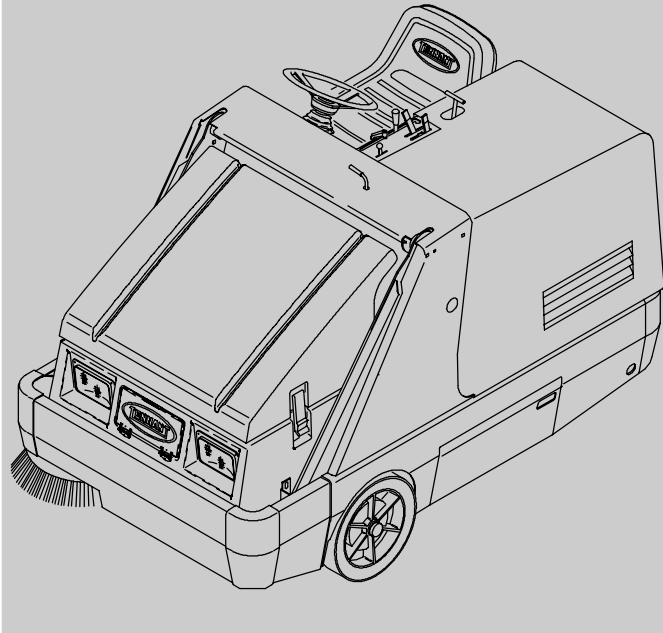
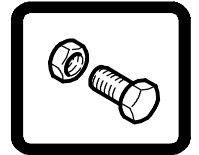




6400

(Electric)

Sweeper Parts Manual



North America / International

www.tennantco.com

MM432
Rev. 12 (04-2009)



When ordering replacement parts, use the illustrated parts list section in this manual. Before ordering parts or supplies, be sure to have your machine model number and serial number available. Only use TENNANT Company supplied or equivalent parts. Parts and supplies may be ordered online, by phone, or mail from any authorized parts and service center, distributor or from any of the manufacturer's subsidiaries.

This machine will provide excellent service. However, the best results will be obtained at minimum costs if:

- The machine is operated with reasonable care.
- The machine is maintained regularly - per the machine maintenance instructions provided.
- The machine is maintained with manufacturer supplied or equivalent parts.

MACHINE DATA

Please fill out at time of installation for future reference.

Model No. - _____

Serial No. - _____

Machine Options - _____

Sales Rep. - _____

Sales Rep. phone no. - _____

Customer Number - _____

Installation Date - _____

Tennant Company

PO Box 1452

Minneapolis, MN 55440

Phone: (800) 553-8033 or (763) 513-2850

www.tennantco.com

Thermo-Sentry, Instant Access, and Perma-Filter are US registered and unregistered trademarks of Tennant Company.

Specifications and parts are subject to change without notice.

Original instructions, Copyright © 1996-2000, 2001, 2002, 2004, 2006-2009 TENNANT Company, Printed in U.S.A.

HOW TO USE THIS MANUAL

This section on *HOW TO USE THIS MANUAL* will tell you how to:

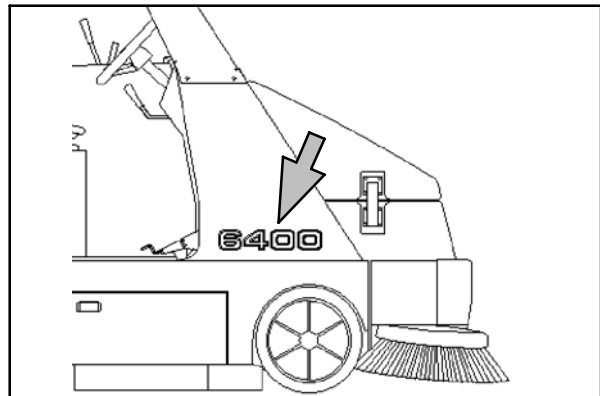
- Find important machine information for ordering correct repair parts.
- Find TENNANT part numbers.
- Order TENNANT parts and supplies.

IMPORTANT INFORMATION

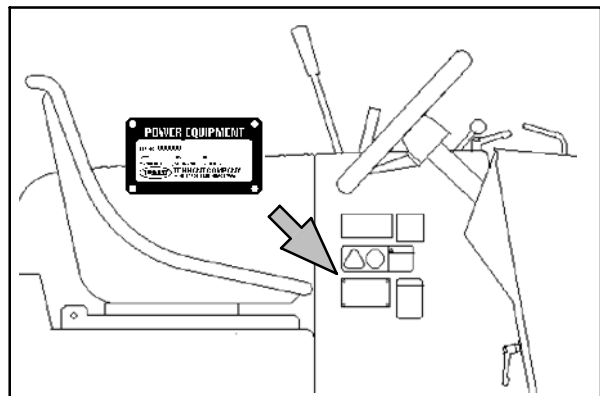
When placing an order for parts, the machine model and machine serial number are important. Refer to the *MACHINE DATA* box which is filled out during the installation of your machine. The *MACHINE DATA* box is located on the inside of the front cover of this manual.

MACHINE DATA	
<i>Please fill out at time of installation for future reference.</i>	
Machine Model Number -	6400E
Machine Serial Number -	_____
Machine Options -	_____
TENNANT Representative/phone no. -	_____
Customer ID Number -	_____
Date of Installation -	_____
Manual Number -	MM432
Revision:	00
Published:	9-96

The model number of your machine is on the side of the machine.



The serial number of your machine is printed on the machine data plate located as shown.



HOW TO USE THIS MANUAL

FINDING A TENNANT PART NUMBER

This manual contains the following sections:

- HOW TO USE THIS MANUAL
- STANDARD PARTS
- OPTIONS
- BREAKDOWNS
- CROSS REFERENCE

The STANDARD PARTS section lists repair parts for standard machines. They are grouped in this general order:

- General wear parts.
- Machine frame and related parts.
- Machine propelling system.
- Sweeping components.
- Electrical parts.

The OPTION section lists repair parts of options.

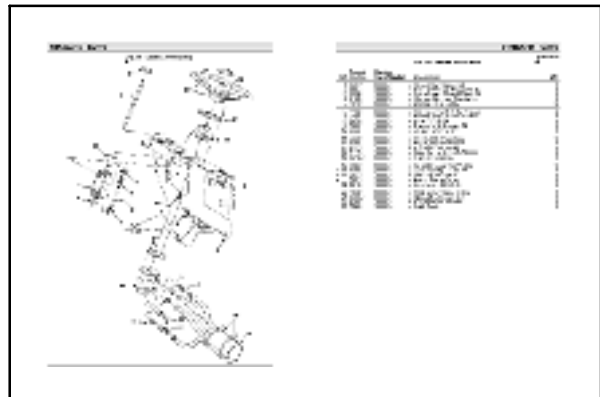
The BREAKDOWN section lists available repair parts of major components.

All sections in this manual consist of parts illustrations and corresponding parts lists.

The parts illustrations are numbered with **Ref** numbers which refer to corresponding parts lists.

The parts lists include a number of columns of information:

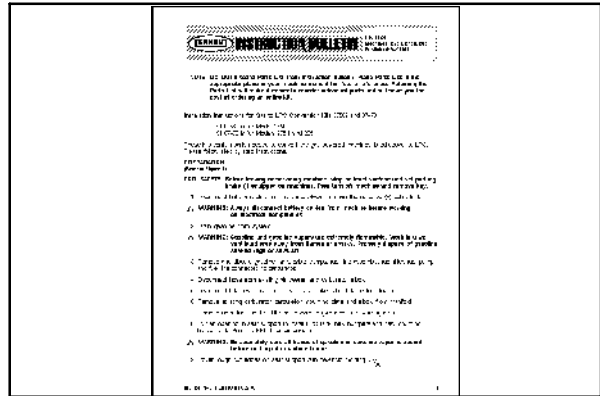
- **Ref** - column refers to the reference number on the parts illustration.
 ▽ - indicates the part is an assembly.
 ▲ - indicates the part is included in the assembly listed just before it.
- **Part No.** - column lists the TENNANT part number for the part.
- **Serial Number** - column indicates the set of machines the part number is applicable to. Serial numbers change when the machine design has been modified. The most current design of the machine is shown in the main illustration, older designs are boxed in a corner of the illustration.
- **Description** - column is a brief description of the part.
- **Qty.** - column lists the quantity of that part used in that area of the machine.



Ref	Part No.	Serial Number	Description	Qty.
1	00000	00000	Part 1, 2, 3, 4, 5, 6, 7, 8, 9, 10, 11, 12, 13, 14, 15, 16, 17, 18, 19, 20, 21, 22, 23, 24, 25, 26, 27, 28, 29, 30, 31, 32, 33, 34, 35, 36, 37, 38, 39, 40, 41, 42, 43, 44, 45, 46, 47, 48, 49, 50, 51, 52, 53, 54, 55, 56, 57, 58, 59, 60, 61, 62, 63, 64, 65, 66, 67, 68, 69, 70, 71, 72, 73, 74, 75, 76, 77, 78, 79, 80, 81, 82, 83, 84, 85, 86, 87, 88, 89, 90, 91, 92, 93, 94, 95, 96, 97, 98, 99, 100	1
2	00000	00000	Part 1, 2, 3, 4, 5, 6, 7, 8, 9, 10, 11, 12, 13, 14, 15, 16, 17, 18, 19, 20, 21, 22, 23, 24, 25, 26, 27, 28, 29, 30, 31, 32, 33, 34, 35, 36, 37, 38, 39, 40, 41, 42, 43, 44, 45, 46, 47, 48, 49, 50, 51, 52, 53, 54, 55, 56, 57, 58, 59, 60, 61, 62, 63, 64, 65, 66, 67, 68, 69, 70, 71, 72, 73, 74, 75, 76, 77, 78, 79, 80, 81, 82, 83, 84, 85, 86, 87, 88, 89, 90, 91, 92, 93, 94, 95, 96, 97, 98, 99, 100	1
3	00000	00000	Part 1, 2, 3, 4, 5, 6, 7, 8, 9, 10, 11, 12, 13, 14, 15, 16, 17, 18, 19, 20, 21, 22, 23, 24, 25, 26, 27, 28, 29, 30, 31, 32, 33, 34, 35, 36, 37, 38, 39, 40, 41, 42, 43, 44, 45, 46, 47, 48, 49, 50, 51, 52, 53, 54, 55, 56, 57, 58, 59, 60, 61, 62, 63, 64, 65, 66, 67, 68, 69, 70, 71, 72, 73, 74, 75, 76, 77, 78, 79, 80, 81, 82, 83, 84, 85, 86, 87, 88, 89, 90, 91, 92, 93, 94, 95, 96, 97, 98, 99, 100	1
4	00000	00000	Part 1, 2, 3, 4, 5, 6, 7, 8, 9, 10, 11, 12, 13, 14, 15, 16, 17, 18, 19, 20, 21, 22, 23, 24, 25, 26, 27, 28, 29, 30, 31, 32, 33, 34, 35, 36, 37, 38, 39, 40, 41, 42, 43, 44, 45, 46, 47, 48, 49, 50, 51, 52, 53, 54, 55, 56, 57, 58, 59, 60, 61, 62, 63, 64, 65, 66, 67, 68, 69, 70, 71, 72, 73, 74, 75, 76, 77, 78, 79, 80, 81, 82, 83, 84, 85, 86, 87, 88, 89, 90, 91, 92, 93, 94, 95, 96, 97, 98, 99, 100	1
5	00000	00000	Part 1, 2, 3, 4, 5, 6, 7, 8, 9, 10, 11, 12, 13, 14, 15, 16, 17, 18, 19, 20, 21, 22, 23, 24, 25, 26, 27, 28, 29, 30, 31, 32, 33, 34, 35, 36, 37, 38, 39, 40, 41, 42, 43, 44, 45, 46, 47, 48, 49, 50, 51, 52, 53, 54, 55, 56, 57, 58, 59, 60, 61, 62, 63, 64, 65, 66, 67, 68, 69, 70, 71, 72, 73, 74, 75, 76, 77, 78, 79, 80, 81, 82, 83, 84, 85, 86, 87, 88, 89, 90, 91, 92, 93, 94, 95, 96, 97, 98, 99, 100	1

NOTE: If a service kit is installed on your machine, be sure to keep the **INSTRUCTION BULLETIN** which came with the kit. It contains repair parts numbers needed for ordering future parts.

NOTE: Fasteners used in this machine may be metric or non-metric. Take care when replacing hardware to replace with same thread size.



PLACING AN ORDER

Orders may be placed by phone, fax, or by mail. Phone orders may need written confirmation. Follow the steps below to insure prompt delivery:

1. Identify the model number of your machine.
2. Identify the serial number of your machine.
3. Find the part number of the part you need. Do not order by page number or reference number. If you are not able to find the part number, call your TENNANT representative for help or send the old part as a sample.
4. Determine the quantity of the part you need.
5. Provide the following company information:
 - Company name
 - Customer ID Number
 - Shipping address
 - Billing address
 - First and last name of person ordering parts
 - Telephone number
 - Purchase order number
6. Provide definitive shipping instructions.

HOW TO USE THIS MANUAL

Any claim for loss or damage to a shipment in transit should be filed promptly with the transportation company making the delivery. Shipments will be complete unless the packing list or order acknowledgement indicates items back ordered.

If parts received are suspected to be incorrect or defective, please contact the TENNANT representative from whom you ordered the part. They will give authorization for return and/or handle replacement shipments when required.

SECTION 2

Contents	Page
Fig. 1 - General Recommended Maintenance Items	2-2
Fig. 2 - Replacement Brushes	2-4
Fig. 3 - Main Frame and Skirts Group	2-6
Fig. 4 - Brush Door Group, Right Side	2-8
Fig. 5 - Brush Door Group, Left Side	2-10
Fig. 6 - Seat and Cover Group	2-12
Fig. 7 - Rear Cover Latch Group	2-14
Fig. 8 - Operator Station Group	2-16
Fig. 9 - Instrument Panel Group	2-18
Fig. 10 - Steering Wheel Group	2-20
Fig. 11 - Directional Pedal Group	2-22
Fig. 12 - Wheel and Brake Group, Front	2-24
Fig. 13 - Steering Cylinder Group	2-26
Fig. 14 - Wheel Group, Rear Drive	2-28
Fig. 15 - Brush Lift Group, Main	2-30
Fig. 16 - Brush Cable Lift Group, Main	2-32
Fig. 17 - Brush Group, Main	2-34
Fig. 18 - Brush Drive Group, Main	2-36
Fig. 19 - Brush Lift Group, Side	2-38
Fig. 20 - Brush Motor and Pivot Group, Side ..	2-40
Fig. 21 - Vacuum Fan Control Group	2-42
Fig. 22 - Vacuum Fan Group	2-44
Fig. 23 - Hopper Lift Arms Group	2-46
Fig. 24 - Hopper Group	2-48
Fig. 25 - Hopper Cover and Bumper Group ...	2-50
Fig. 26 - Hopper Dump Door Group	2-52
Fig. 27 - Hopper Filter Box Group (000000-005315)	2-54
Fig. 28 - Hopper Filter Box Group (005316-)	2-56
Fig. 29 - Hydraulic Reservoir Group	2-58
Fig. 30 - Hydraulic Control Valve Group	2-60
Fig. 31 - Hydraulic Solenoid Valve Group	2-62
Fig. 32 - Hydraulic Schematic	2-63
Fig. 33 - Hydraulic Hose Group	2-64
Fig. 34 - Electrical Control Box Group	2-66
Fig. 35 - Electrical Schematic	2-68
Fig. 36 - Electrical Wire Harnesses Group ...	2-70
Fig. 37 - Label Group	2-75

Fig. 1 - General Recommended Maintenance Items

Ref.	Part No.	Serial Number	Description	Qty.
▽	361236	(000000-) Maint Kit, Recirculation Flap	1
▲	360134	(000000-) Seal, Wrap, Rear Brush	1
▲	360136	(000000-) Flap Recirculation	1
▽	361237	(000000-) Maint Kit, M Br Door Skirts	1
▲	360761	(000000-) Seal, Side, Lh	1
▲	360784	(000000-) Seal, Side Rh	1
▲	360786	(000000-) Skirt, Side Brush	1
▲	72968	(000000-) Rivet, Plastic .250X.898	6
▽	361238	(000000-) Maint Kit, Hopper Door Skirts	1
▲	360603	(000000-) Seal Wrap, Dump Door	1
▲	87689	(000000-) Sponge Cord	1
▲	360844	(000000-) Seal, Dump Door, Side	2
▲	360327	(000000-) Skirt, Lip	1
▲	360336	(000000-) Seal, Dump Door, Top	1
▽	361239	(000000-) Maint Kit, Dump Door Seals	1
▲	87181	(000000-) Seal, Top,Hopper	1
▲	360782	(000000-) Skirt, Hopper	2
▲	72968	(000000-) Rivet, Plastic .250X.898	19
▽	361242	(000000-) Maint Kit, Hopr Filter & Seals	1
▲	1037207	(000000-) Filter, Panl, Dust, 3.6 X 20.0 X 30.0	1
▲	360199	(000000-) Seal, Spacer, Filter	3
▽	361241	(000000-) Maint Kit, Ev M Br Drive Belts	1
▲	360686	(000000-) Belt, V, 3V X 335	1
▲	03670	(000000-) Belt, V 3VI - 540	1
▲	360320	(000000-) Belt, Brush Drive	1
	16411	(000000-) Paint, Airdry, Off-White, 12oz	1
	16412	(000000-) Paint, Airdry, Teal, 12oz, Solid	1
	377540	(000000-) Paint, Airdry, Blk, 12oz	1
	377538	(000000-) Paint, Airdry, Gray, 12oz	1
	377537	(000000-) Paint, Airdry, Iron Gray, 12oz	1

Fig. 1 - General Recommended Maintenance Items (continued)

Ref.	Part No.	Serial Number	Description	Qty.
▽	366072	(000000-) Yearly Maint Pkg 800hr Elect	1
▲	360686	(000000-) Belt, V	4
▲	03670	(000000-) V-Belt 3VI - 540	2
▲	360320	(000000-) Belt	2
▲	55740	(000000-) Filter, Oil, Hyd	2
▲	360991	(000000-) Breather, Hyd	1
▲	361023	(000000-) Strainer, Hyd 10Gpm 100Mesh	1
▲	65870-1	(000000-) Oil, Hydraulic, Lo Tp 5/20 1Ga	4
▲	375212	(000000-) Filter, Dust Panel	4
▲	360199	(000000-) Seal, Spacer, Filter	12
▲	360134	(000000-) Seal, Wrap, Rear Brush	2
▲	360136	(000000-) Flap, Recirculation	2
▲	360761	(000000-) Seal, Side, Lh Hopper	2
▲	360784	(000000-) Seal, Side Rh Hopper	2
▲	360786	(000000-) Skirt, Side Brush	2
▲	360603	(000000-) Seal, Wrap	2
▲	87689	(000000-) Cord, Sponge	2
▲	360844	(000000-) Seal, Dump Door, Side	2
▲	360327	(000000-) Skirt, Lip	2
▲	360336	(000000-) Seal, Dump Door, Top	2
▲	87181	(000000-) Seal, Top,Hopper	2
▲	360782	(000000-) Skirt, Hopper	4
▲	360388	(000000-) Latch, Swell	2
▲	36192	(000000-) Lanyard Assy	2
▲	87866	(000000-) Key, Switch, Set Of Two	1
▲	361096	(000000-) Cable, Clevis	1
▲	361097	(000000-) Cable, Clevis	1
▲	360079	(000000-) Cable	1
▲	360977	(000000-) Hose, Flexible	1
▲	360765	(000000-) Hose, Flex	1
▲	360979	(000000-) Seal, Vac Inlet	1

Fig. 2 - Replacement Brushes

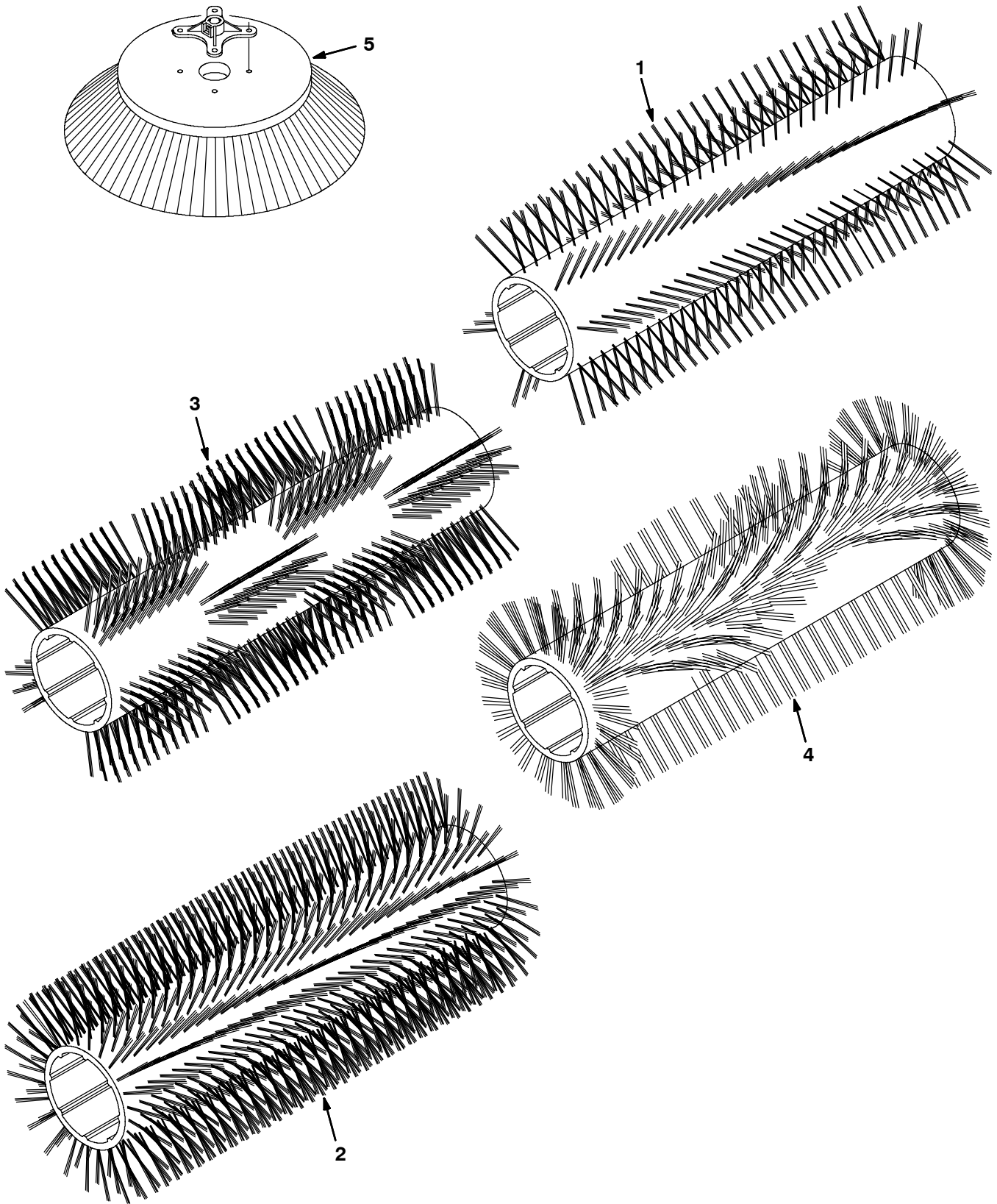


Fig. 2 - Replacement Brushes

Ref.	Part No.	Serial Number	Description	Qty.
1	87334	(000000-) Brush-Sweep, Polyester	1
1	87099	(000000-) Brush-Sweep, Polypropylene	1
1	87097	(000000-) Brush-Sweep, Polypropylene and Wire	1
1	385947	(000000-) Brush-Sweep, Natural Fiber	1
2	87333	(000000-) Brush-Sweep, Polyester	1
3	370010	(000000-) Brush-Sweep, Window, Polypropylene	1
4	370025	(000000-) Brush-Sweep, Wedge, Polypropylene	1
5	08013N	(000000-) Brush-Side Swp, Soft Nylon	1
5	59431	(000000-) Brush-Side Swp, Polypropylene	1
5	59432	(000000-) Brush-Side Swp, Flatwire	1

Fig. 3 - Main Frame and Skirts Group

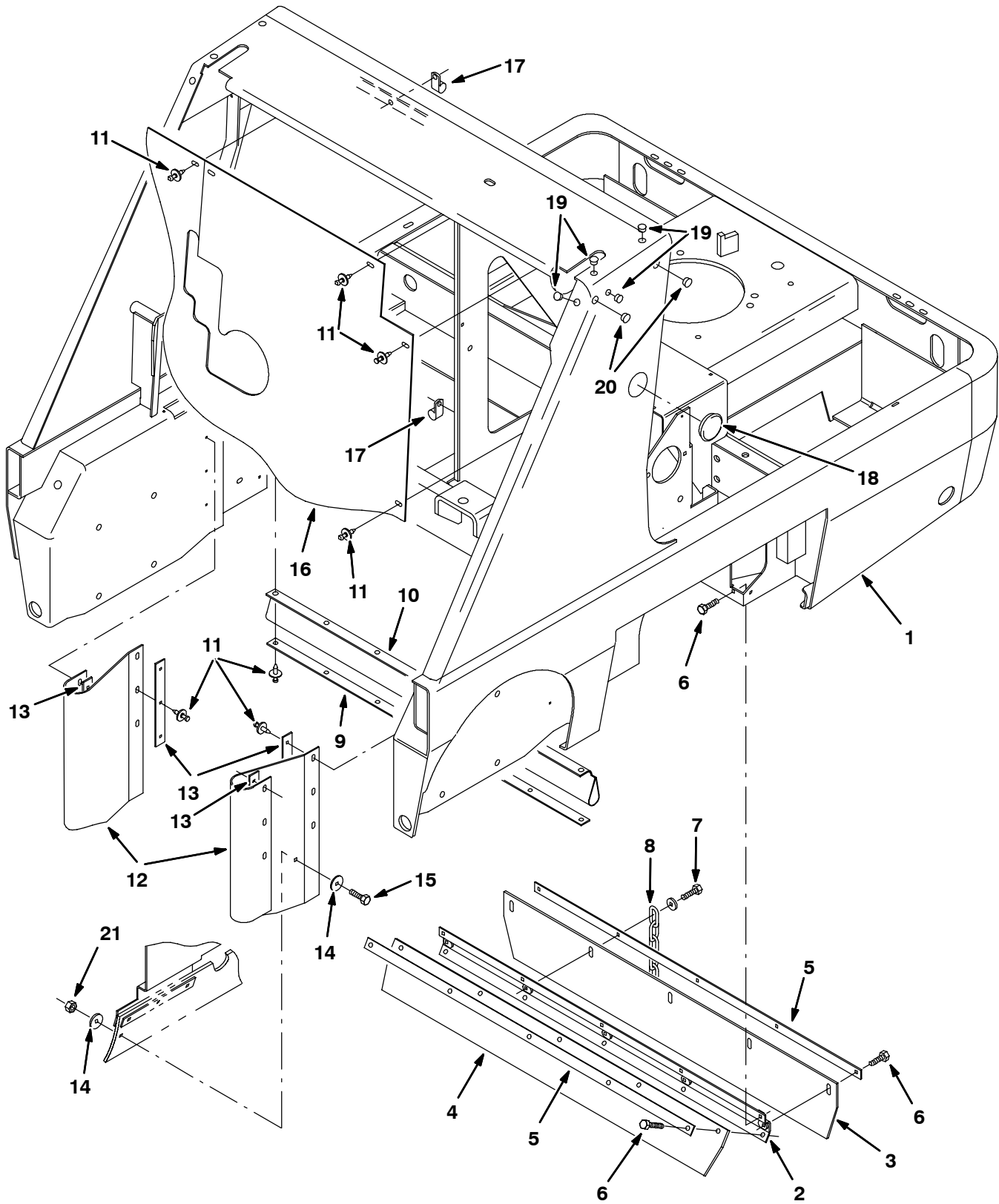


Fig. 3 - Main Frame and Skirts Group

Ref.	Part No.	Serial Number	Description	Qty.
1	360201	(000000-) Frame, Ev	1
2	360138	(000000-) Channel, Recirculation Flap	1
3	360134	(000000-) Seal, Wrap, Rear Brush	1
4	360136	(000000-) Flap Recirculation	1
5	360137	(000000-) Strip, Retainer, Flap	2
6	12273	(000000-) Scr-Hexssm 8X1.25 20 NylInloc	14
7	12333	(000000-) Scr-Hexssm 8X1.25 25 NylInloc	1
8	40758	(000000-) Chain,Link#2/08 5Links,Br.Zinc	1
9	87180	(000000-) Retainer, Top Hopper Seal	1
10	87181	(000000-) Seal, Top,Hopper	1
11	72968	(000000-) Rivet, Plastic .250X.898	28
12	360782	(000000-) Skirt, Hopper	2
13	360781	(000000-) Strip	4
14	30013	(000000-) Washer-Flt .31 Fender Pltd	2
15	09010	(000000-) Scr Hexssm 8X1.25 25	1
16	361121	(000000-) Seal, Firewall	1
17	67767	(000000-) Clamp, Cable, 0.69D 0.62W Stl	3
18	82747	(000000-) Plugbtn 2.09H .05-.06 Blackstl	1
19	361346	(000000-) Plug, Cap	4
20	02431	(000000-) Plugbtn .56H .03-.12 Blacknyl	8
21	08709	(000000-) Nut, Hex, Lock, M8 X 1.25, NI	1

Fig. 4 - Brush Door Group, Right Side

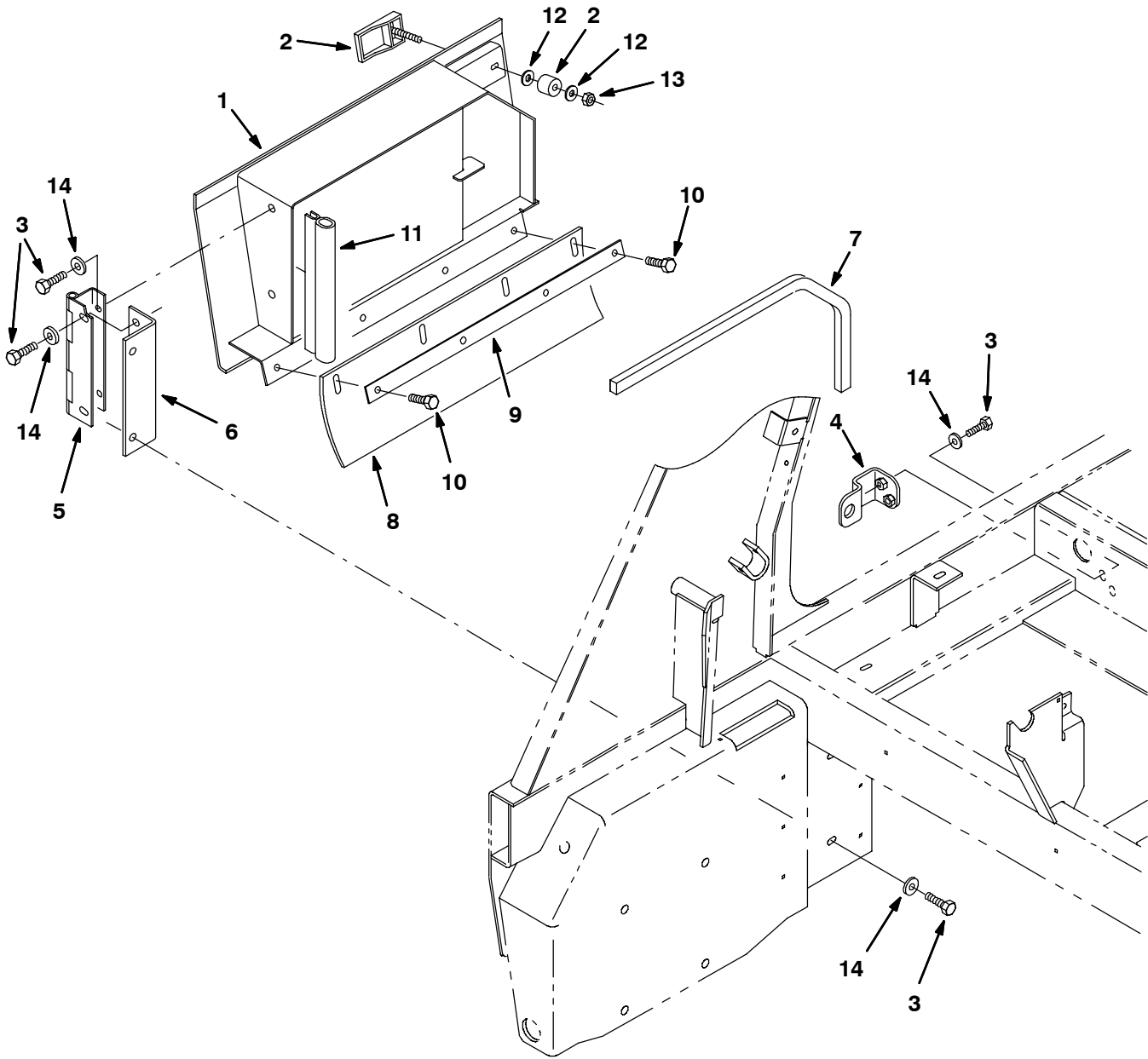


Fig. 4 - Brush Door Group, Right Side

Ref.	Part No.	Serial Number	Description	Qty.
1	360395	(000000-) Door Wldt, Rh	1
2	360388	(000000-) Latch, Swell	1
3	09740	(000000-) Scr Hexssm 8X1.25	8
4	360280	(000000-) Bracket, Stop, Brush Door	1
5	360283	(000000-) Hinge, Door, Brush	1
6	360284	(000000-) Bracket, Hinge, Brush Door	1
7	360319	(000000-) Seal,Foam Rbr .375 1.25W 25.5L	1
8	360784	(000000-) Seal, Side Rh	1
9	361306	(000000-) Strip, Retainer, Seal	1
10	49826	(000000-) Scr-Hexssm 8X1.25 16 Nylon Loc	4
11	363502	(000000-) Seal, Bulb, Str, 0.50d .13grip 009.4l	1
12	39349	(000000-) Washer, Flat, 0.31 Sae	2
13	32960	(000000-) Nut, Hex, Lock, .31-24, NI	1
14	32491	(000000-) Washer, Flat, 0.31 Std	8

Fig. 5 - Brush Door Group, Left Side

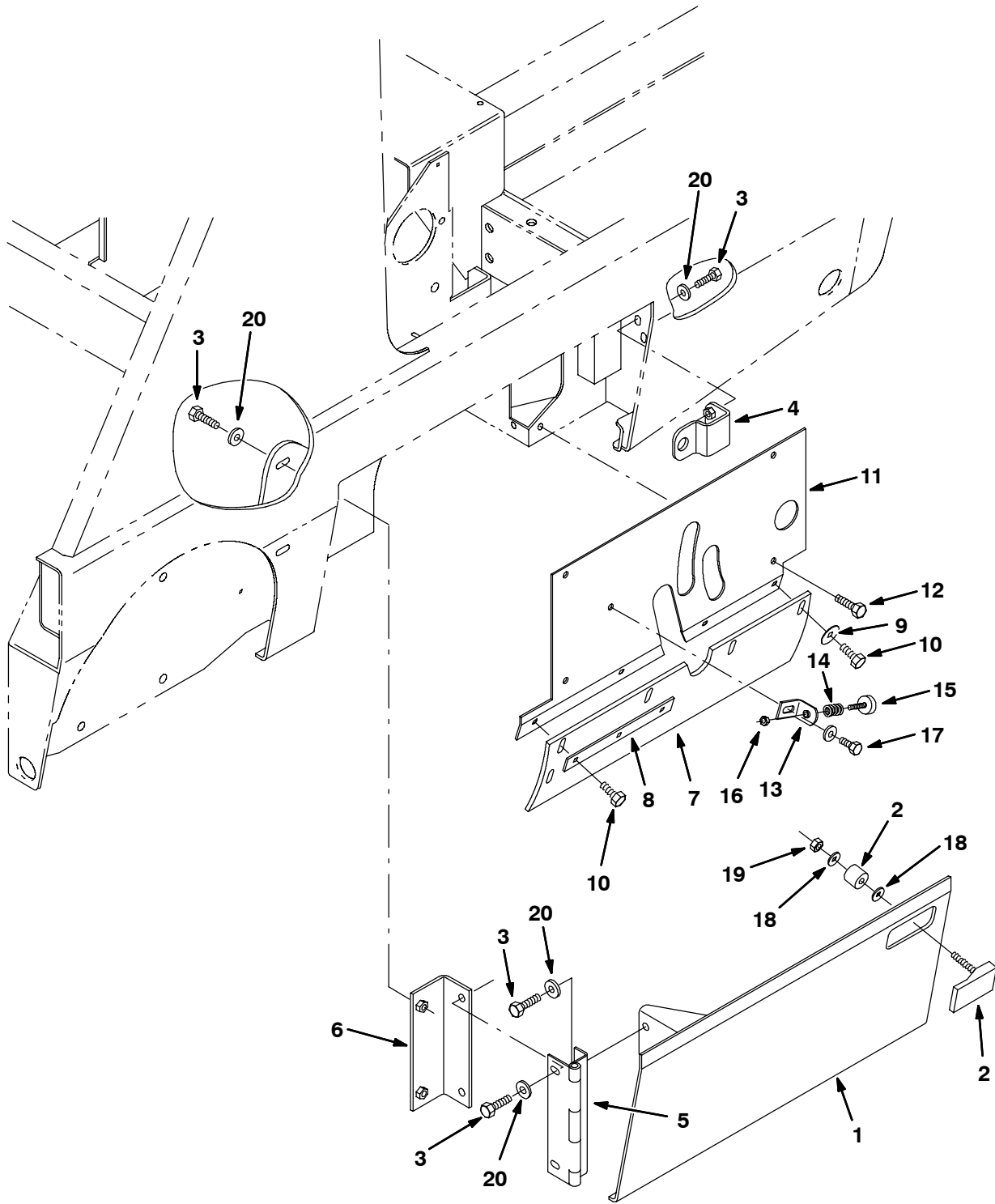


Fig. 5 - Brush Door Group, Left Side

Ref.	Part No.	Serial Number	Description	Qty.
1	360392	(000000-) Door Wldt, Lh	1
2	360388	(000000-) Latch, Swell	1
3	09740	(000000-) Scr Hexssm 8X1.25	8
4	360280	(000000-) Bracket, Stop, Brush Door	1
5	360283	(000000-) Hinge, Door, Brush	1
6	360284	(000000-) Bracket, Hinge, Brush Door	1
7	360761	(000000-) Seal, Side, Lh Hopper	1
8	360781	(000000-) Strip	1
9	30013	(000000-) Washer-Flt .31 Fender Pltd	2
10	49826	(000000-) Scr-Hexssm 8X1.25 16 Nylon Loc	4
11	360145	(000000-) Plate, Seal	1
12	15675	(000000-) Scr Hexssm 8x1.25 16	4
13	366084	(000000-) Bracket, Wldt, Brush Stop	1
14	86444	(000000-) Spring, Comp. .60 OD x .75	1
15	20802	(000000-) Bumper, Rubber	1
16	41169	(000000-) Nut-Hxlocnyln .25-20 Regss 18-8	1
17	49826	(000000-) Scr-Hexssm 8x1.25 16 Nylonloc	1
18	39349	(000000-) Washer, Flat, 0.31 Sae	2
19	32960	(000000-) Nut, Hex, Lock, .31-24, NI	1
20	32491	(000000-) Washer, Flat, 0.31 Std	8

Fig. 6 - Seat and Cover Group

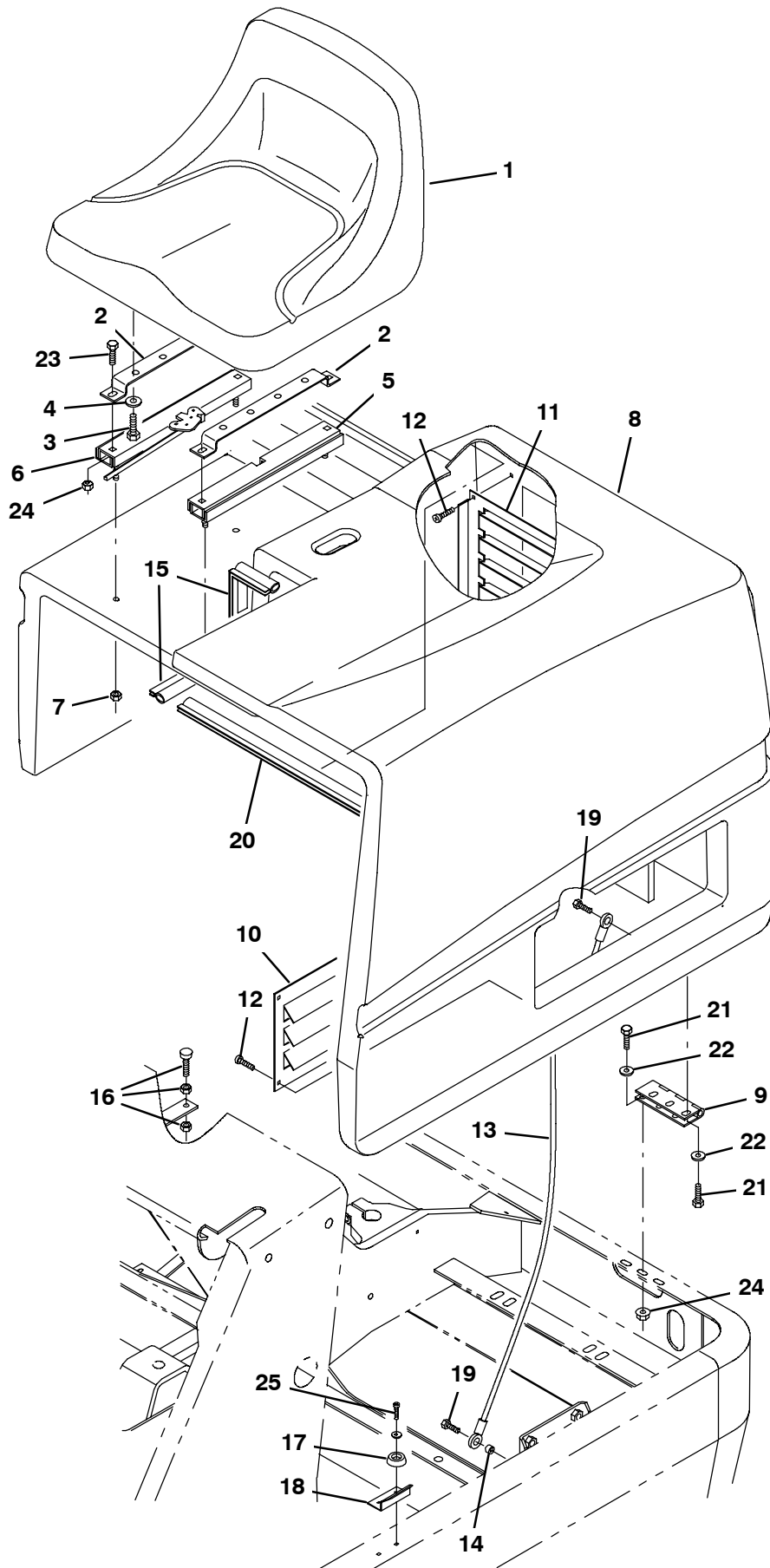


Fig. 6 - Seat and Cover Group

Ref.	Part No.	Serial Number	Description	Qty.
1	9005081	(000000-005501)	Seat Kit, Std, Replmt [6400]	1
1	1048932	(005502-	Seat, Std [Michigan, Model V-2505]	1
2	360309	(000000-005501)	Bracket, Seat Adjuster	2
2	1045229	(005502-	Bracket, Seat Adjuster	2
3	54395	(000000-	Screw, Hex, .31-18 X 0.62, 5	4
4	39349	(000000-	Washer, Flt, .31 Sae	4
5	360369	(000000-	Rail, Slide, Seat	1
6	360370	(000000-	Rail, Slide, Seat, W/Latch	1
7	01760	(000000-	Nut-Hxlcnynln .31-18 Thin Pltd	4
8	1014605	(000000-	Shroud, Rear	1
9	360704	(000000-	Hinge	2
10	360342	(000000-	Panel, Louver	1
11	360361	(000000-	Panel, Louver	1
12	360973	(000000-	Scr-Pan 12 X.50	8
13	36192	(000000-	Lanyard Assy	2
14	222516	(000000-	Sleeve,.31Bb.496D .312Ss	2
15	391803	(000000-	Seal, Bulb, 90, 1.33 .06-.09grip 032.5l	1
16	75128	(000000-	Spindle, Adjustment	1
17	361554	(000000-	Bumper, Rubber	2
18	361550	(000000-	Angle, Guide	2
19	11329	(000000-	Scr Hexssm 6 x 1.0 16 Nyloc	2
20	10576	(000000-	Seal, Bulb, 90, 0.50d .06-.09grip 022.5l	1
21	16931	(000000-	Screw, Hex, M8 X 1.25 X 20, 8.8	8
22	32491	(000000-	Washer, Flat, 0.31, Std	8
23	16735	(000000-	Screw, Hex, M8 X 1.25 X 16, 8.8	4
24	07791	(000000-	Nut, Hex, Flng, M8 X 1.25	8
25	06927	(000000-	Screw, Pan, Phl, M4 X 0.70 X 16, 4.8	4

Fig. 7 - Rear Cover Latch Group

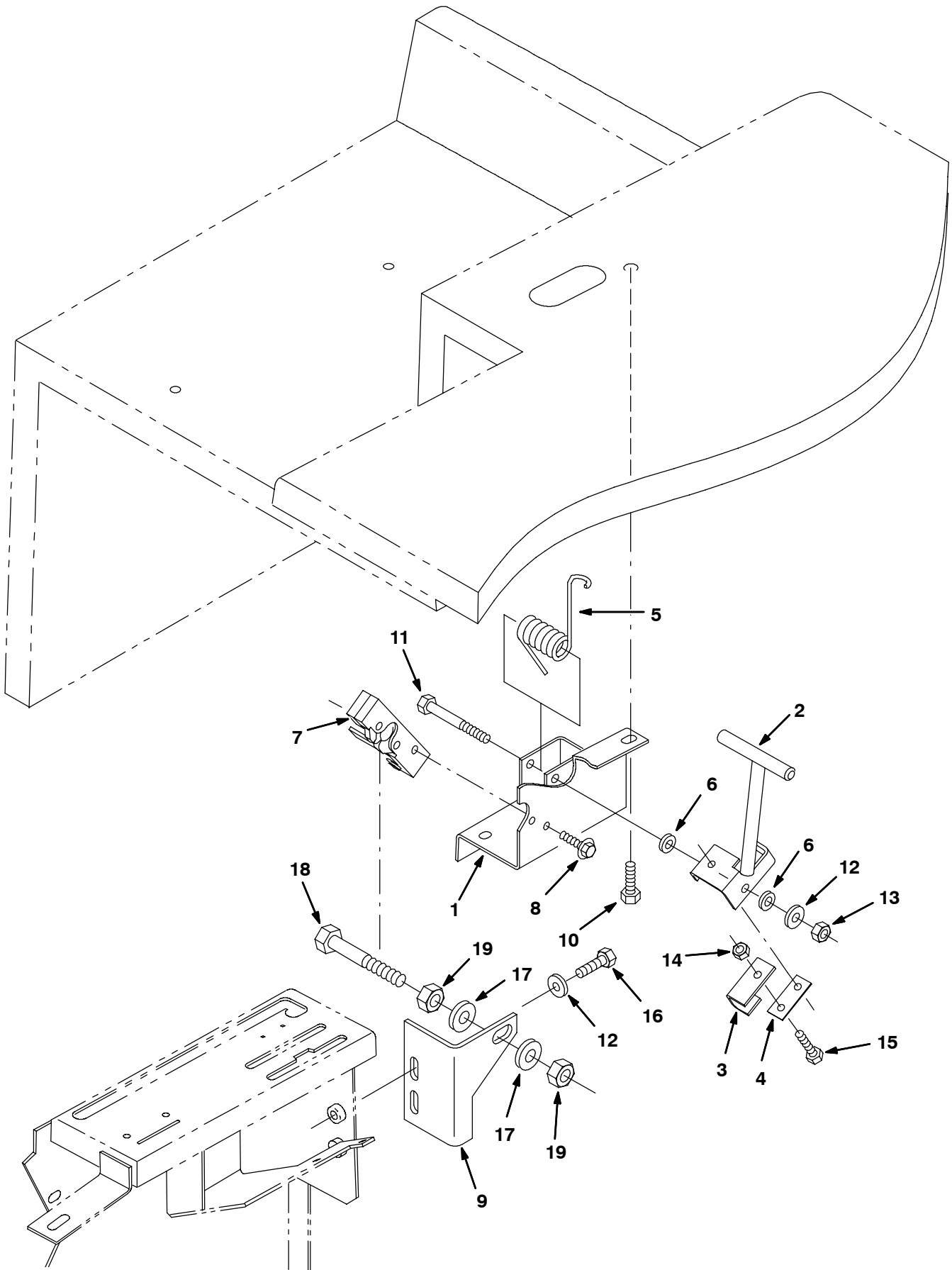


Fig. 7 - Rear Cover Latch Group

Ref.	Part No.	Serial Number	Description	Qty.
1	360083	(000000-) Bracket Wldt, Latch	1
2	360831	(000000-) Latch Wldt, Shroud	1
3	361164	(000000-) Channel, Latch	1
4	361165	(000000-) Spring, Latch	1
5	87581	(000000-) Spring, Torsion	1
6	43454	(000000-) Washer, .344B .69D .06Nylon	2
7	72439	(000000-) Latch	1
8	16949	(000000-) Scr-Hex .25-20X0.75 Sems Pltd	2
9	360873	(000000-) Angle, Mtg, Latch Pin	1
10	15675	(000000-) Scr Hexssm 8 X 1.25 16	4
11	76960	(000000-) Screw, Hex, .31-18 X 2.25, G5	1
12	32491	(000000-) Washer, Flat, 0.31, Std	3
13	32983	(000000-) Nut, Hex, Lock, .31-18, NI	1
14	08708	(000000-) Nut, Hex, Lock, M6 X 1.00, NI	2
15	87308	(000000-) Screw, Hex, M6 X 1.00 X 12, 8.8	2
16	16931	(000000-) Screw, Hex, M8 X 1.25 X 20, 8.8	2
17	32486	(000000-) Washer Flat,0.50,Sae	2
18	27985	(000000-) Screw, Hex, .50-13 X 2.50, G5	1
19	32523	(000000-) Nut, Hex, Jam, .50-13	2

Fig. 8 - Operator Station Group

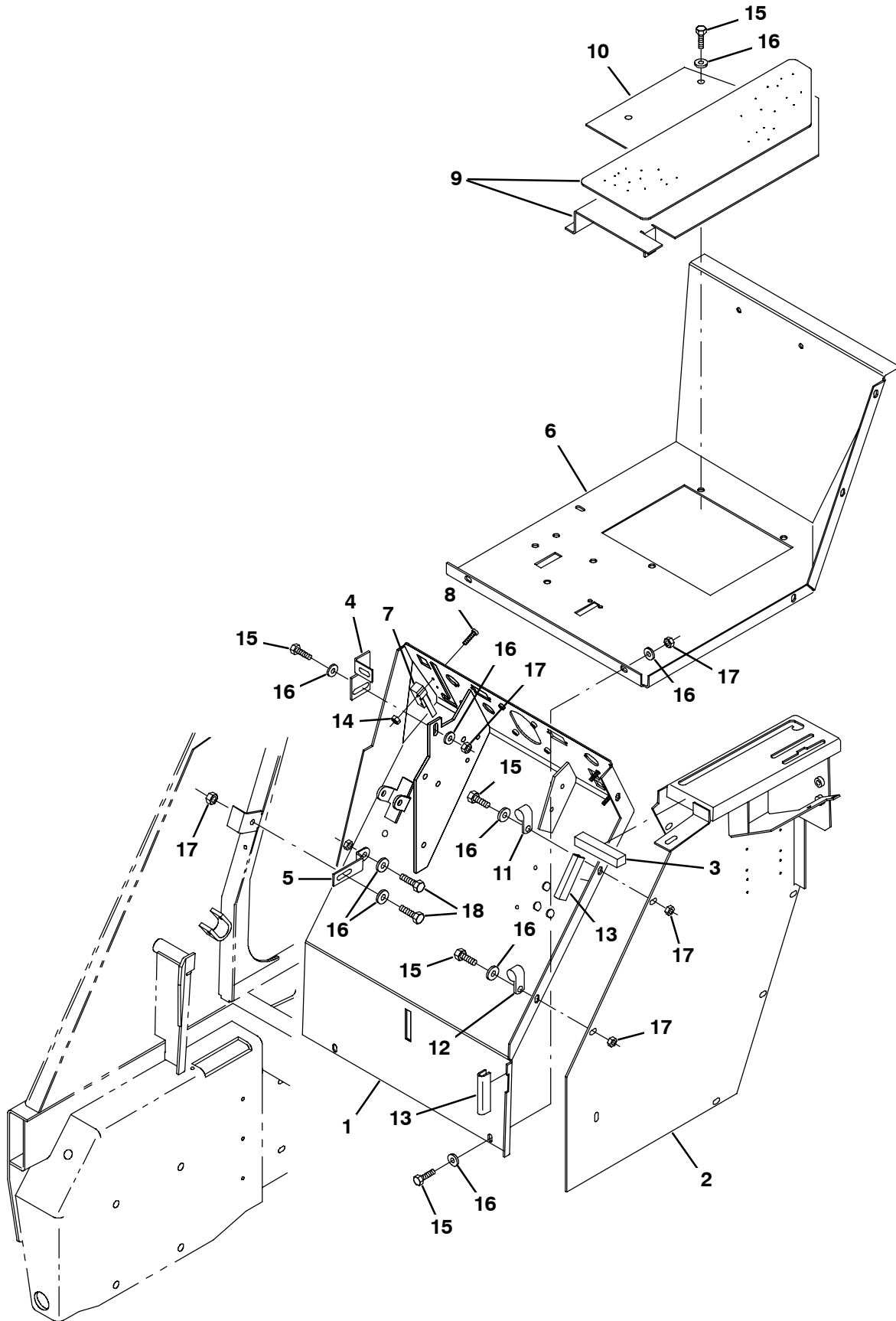


Fig. 8 - Operator Station Group

Ref.	Part No.	Serial Number	Description	Qty.	
1	360856	(000000-) Panel Wldt, Instr, Oper Statio	1	
2	361294	(000000-) Panel Wldt, Oper, Ev W/Label	1	
3	360928	(000000-) Seal, Ure .50 X .75 X 5.0L	1	
4	360712	(000000-) Bracket, Angle	1	
5	360742	(000000-) Plate	1	
6	360184	(000000-) Panel, Floor	1	
7	1008142	(000000-) Switch, Snap Actn, 250vdc 25a Spdt	1	
8	33933	(000000-) Scr Pan Ssm 3X0.5 25	2	
▽	9	361300	(000000-) Plate, Floor W/Tread	1
▲	10	360906	(000000-) Tread, Floor, 20.6 6.5	1
11	69234	(000000-) Clamp-Cable, 1.00Dia. .62Wth	1	
12	67767	(000000-) Clamp-Cable,.69Dia. 62Wth	1	
13	13173	(000000-) Molding, Trim 3/16-5/16 5.0	2	
14	01754	(000000-) Nut, Hex, Std, M3 X 0.5, 8	2	
15	16931	(000000-) Screw, Hex, M8 X 1.25 X 20, 8.8	11	
16	32491	(000000-) Washer, Flat, 0.31 Std	13	
17	07791	(000000-) Nut, Hex, Fing, M8 X 1.25	9	
18	16735	(000000-) Screw, Hex, M8 X 1.25 X 16, 8.8	2	

Fig. 9 - Instrument Panel Group

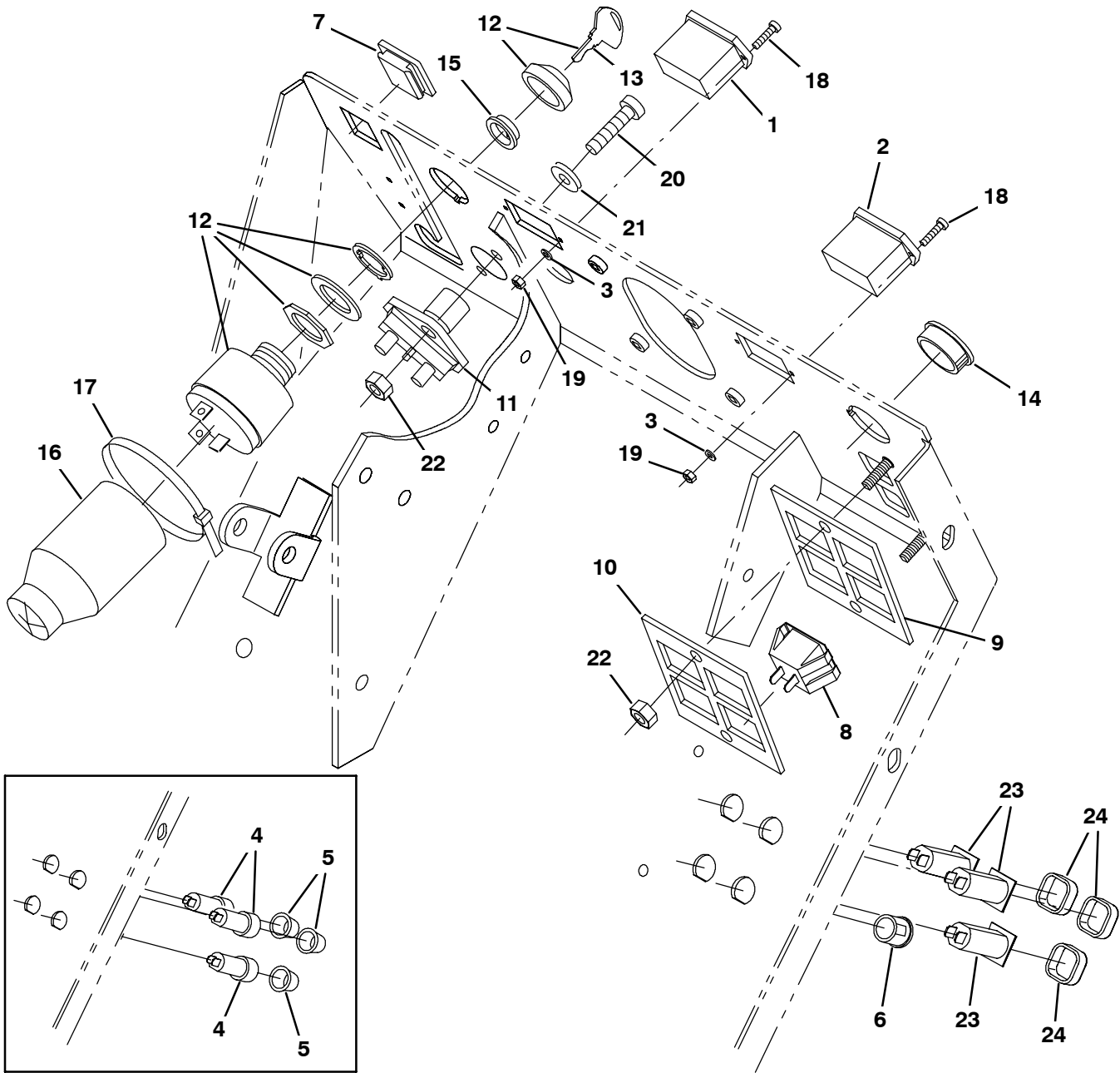


Fig. 9 - Instrument Panel Group

Ref.	Part No.	Serial Number	Description	Qty.	
1	222114	(000000-001279)	Hourmeter	1	
1	377324	(001280-004619)	Gauge Kit, Hourmeter, F/31988 [10k]	1	
1	377433	(004620-)	Gauge, Hourmeter, 12-60vdc, Analog [10k]	1	
2	1038957	(000000-)	Meter, Discharge, Battery	1	
3	39658	(000000-)	Washer-Loc Int 04 Pltd	4	
4	57803	(000000-005447)	Breaker-Circuit, 15A Resetable	3	
5	57751	(000000-005447)	Boot,Circuit Breaker	3	
6	57167	(000000-)	Plugbtn .62H .03- .12 Blacknyl	1	
7	222534	(000000-)	Plug, Switch	1	
8	361074	(000000-)	Light, Indicator 36Volt	1	
9	361073	(000000-)	Seal, Foam	1	
10	361071	(000000-)	Plate, Mtg, Light	1	
11	44078	(000000-)	Switch, Pushmom, Spst100A 12V	1	
▽	12	87536	(000000-)	Switch Ignition	1
▲	13	87866	(000000-)	Key Set,Switch	1
14	76888	(000000-)	Plugbtn 1.25H .04- .17 Blacknyl	1	
15	382516	(000000-)	Boot, Switch	1	
16	383165	(000000-)	Boot, Switch, Ignition	1	
17	49263	(000000-)	Tie, Cable, Nyl, 11.4L .19W 3.0 Max D	1	
18	09146	(000000-)	Screw, Pan, M3 X 0.5 X 12, 4.8	4	
19	01754	(000000-)	Nut, Hex, Std, M3 X 0.5, 8	2	
20	09164	(000000-)	Screw, Pan, M6 X 1.0 X 20, 4.8	2	
21	19066	(000000-)	Washer, Flat, #10	2	
22	08708	(000000-)	Nut, Hex, Lock, M6 X 1.0, NI	4	
23	1045858	(005448-)	Circuitbreaker, 15a, Resetable	3	
24	1046173	(005448-)	Boot, Circuitbreaker	3	

Fig. 10 - Steering Wheel Group

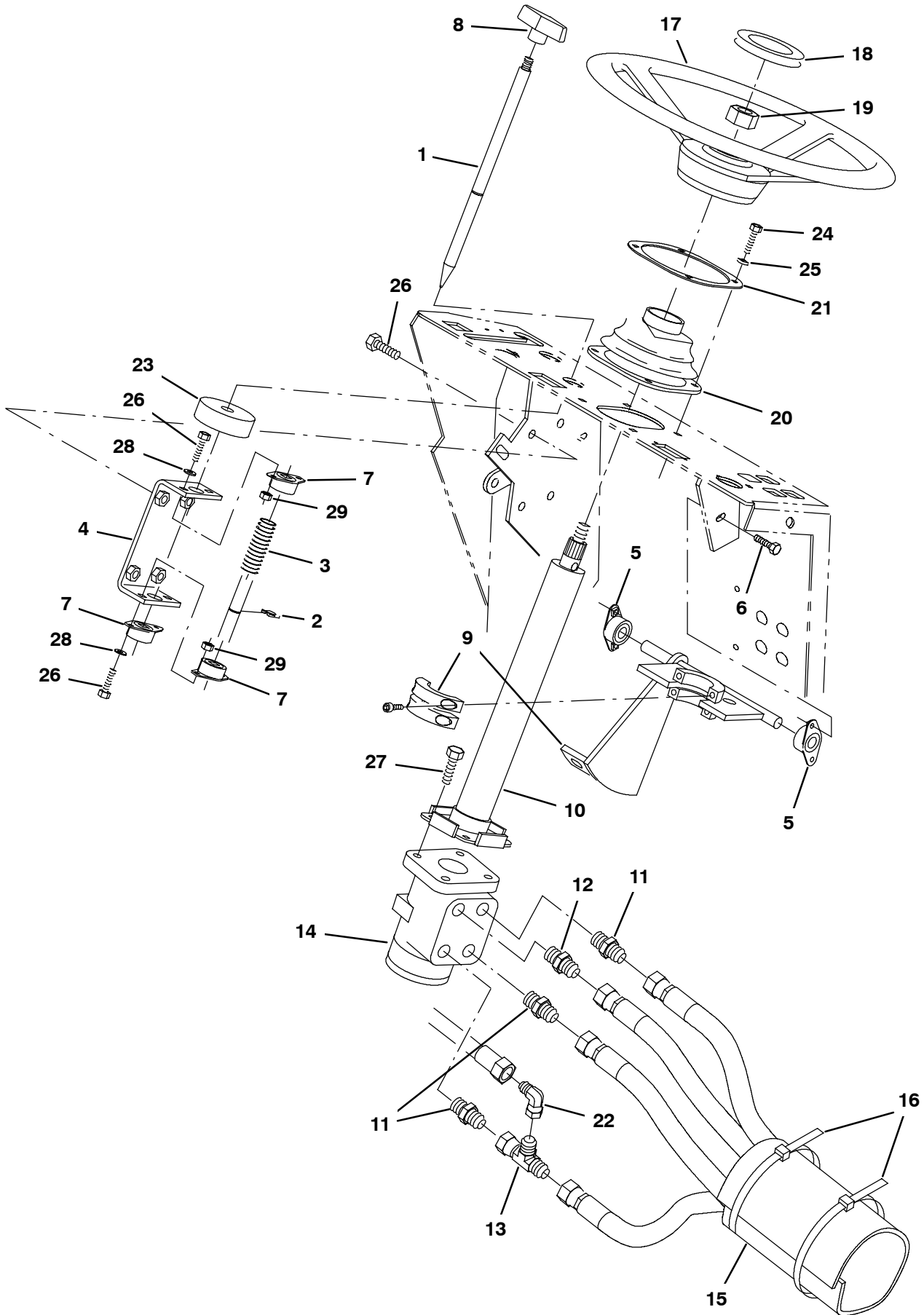


Fig. 10 - Steering Wheel Group

Ref.	Part No.	Serial Number	Description	Qty.
1	360711	(000000-) Rod, Latch, Steering, Tilt	1
2	70717	(000000-) Ring, Retain, Ex0.50Od,Heavydt	1
3	22290	(000000-) Sprng,Comp,0.62Idx.06Wire 2.3L	1
4	64655	(000000-) Channel, Mounting, Steering La	1
5	70709	(000000-) Bearing, Flange .500B	2
6	11329	(000000-) Scr-Hexssm 6X1.0 16 Nylonloc	4
7	47585	(000000-) Bearing-Flange,2 Hole 0.50Bore	3
8	04706	(000000-) Handle Lift Brush	1
9	73027	(000000-) Bracket Wldt, Steering, Tilt	1
▽	10	64631	(000000-) Column, Steering 12"	1
▲	74142	(000000-) Cap, Tube	1
11	56690	(000000-) Ftg-Hyd Str Jm06/Om06	3
12	56835	(000000-) Ftg-Hyd Str Jm08/Om06	1
13	42215	(000000-) Ftg-Hyd Tee Jm06Jmjf	1
14	74173	(000000-) Steer Control, Hyd (See Breakdowns)	1
15	361250	(000000-) Skirt, Oil Deflection	1
16	49263	(000000-) Tie Cable 3.00D Max 11.41Lg	3
▽	17	56398	(000000-) Wheel Steering 14Diax36T	1
▲	18	70218	(000000-) Cap, Steering Wheel	1
▲	70219	(000000-) Insert, Steering Wheel	1
19	56185	(000000-) Nut-Hx Jam, M20X1.5	1
20	70622	(000000-) Seal, Boot, Steering Column	1
21	360867	(000000-) Plate, Mtg, Steering Boot	1
22	47504	(000000-) Ftg-Hyd E90 Jm06/Jf06	1
23	75968	(000000-) Seal, Bearing	1
24	09145	(000000-) Screw, Pan, Phl, M6 X 1.00 X 16, 4.8	4
25	19066	(000000-) Washer, Flat, 10	4
26	06943	(000000-) Screw, Hex, M6 X 1.00 X 20, 8.8	8
27	06942	(000000-) Screw, Hex, M6 X 1.00 X 16, 8.8	4
28	32483	(000000-) Washer, Flat, 0.25, Sae	4
29	08708	(000000-) Nut, Hex, Lock, M6 X 1.00, NI	4

Fig. 11 - Directional Pedal Group

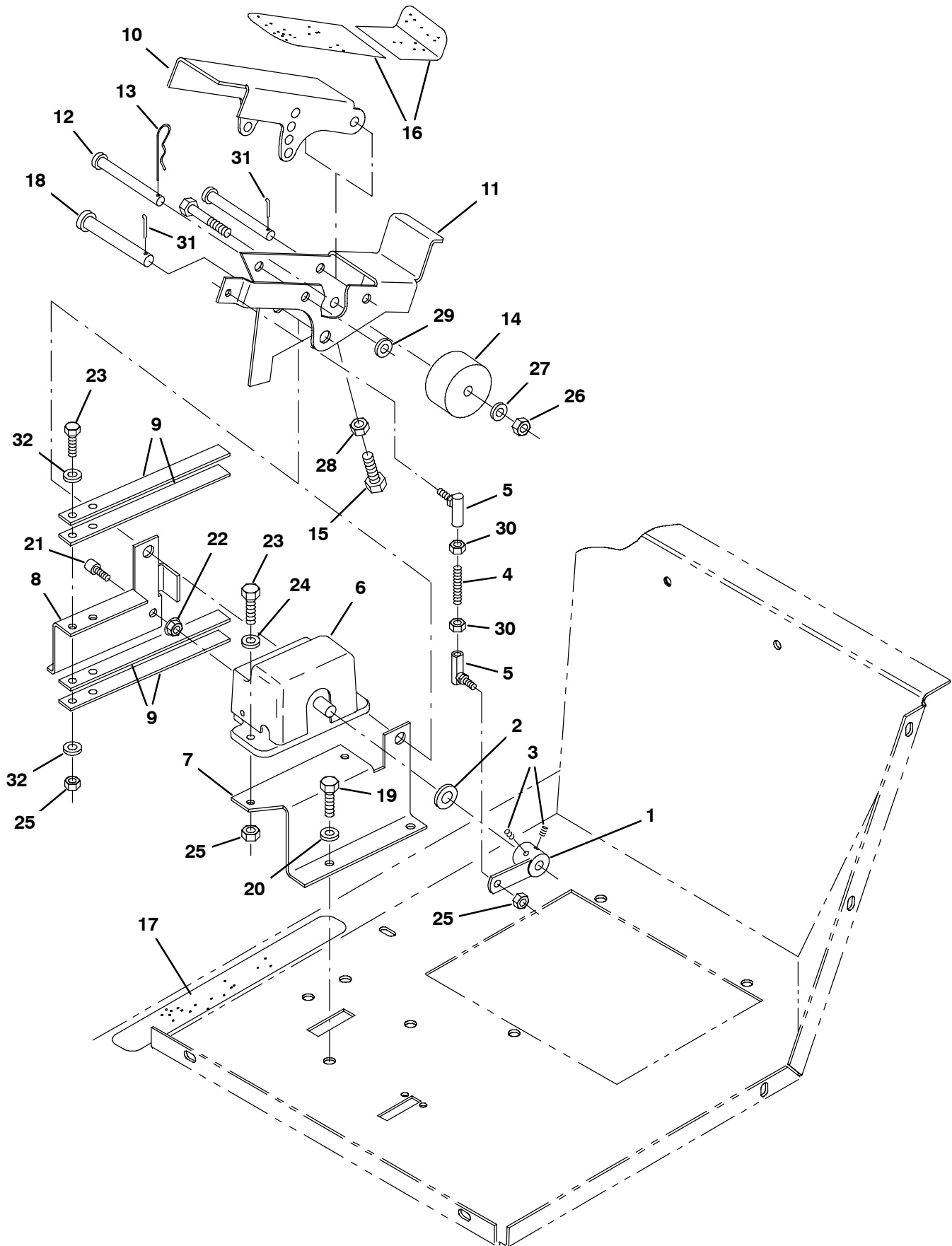


Fig. 11 - Directional Pedal Group

Ref.	Part No.	Serial Number	Description	Qty.
1	14400	(000000-) Arm	1
2	43611	(000000-) Washer, .375B .75D .06Nylon	1
3	17186	(000000-) Scr Set M 5X0.8 8	2
4	14397	(000000-) Rod-Thrd, 2End M06X1.0 X 2.18	1
5	12263	(000000-) Ball Joint M6X1.0	2
6	14368	(000000-) Accelerator Unit,	1
7	360182	(000000-) Bracket, Mtg, Pedal, Lh	1
8	360183	(000000-) Bracket, Mtg, Pedal, Rh	1
9	49681	(000000-) Plate, Spring Steel Direct. Cont	4
10	72082	(000000-) Pedal, Propel, Adj, Upper	1
11	361187	(000000-) Pedal Wldt, Adjustable	1
12	72084	(000000-) Pin, Clevis .38Dia X 3.50Lg	2
13	44906	(000000-) Pin, Hair Cotter 60D .092 Wire	1
14	87725	(000000-) Spacer	1
15	36801	(000000-) Scr-Hex .38-16X1.50 Full Thd	1
16	75430	(000000-) Pad, Tread	1
17	86798	(000000-) Pad, Tread	1
18	06474A	(000000-) Pin, Clevis, 0.50 Dia. X 3.50 Lg	1
19	09740	(000000-) Scr Hexssm 8X1.25 20	4
20	01685	(000000-) Washer Flt .31 Ss	4
21	39308	(000000-) Screw, Soc, M8 X 1.25 X 25, 12.9	1
22	07791	(000000-) Nut, Hex, Flng, M8 X 1.25	1
23	06943	(000000-) Screw, Hex, M6 X 1.00 X 20, 8.8	5
24	32483	(000000-) Washer, Flat, 0.25, Sae	2
25	08708	(000000-) Nut, Hex, Lock, M6 X 1.00, NI	5
26	41430	(000000-) Nut, Hex, Lock, M10 X 1.5, NI	1
27	32485	(000000-) Washer, Flat, 0.38, Sae	1
28	25014	(000000-) Nut, Hex, Std, .38-16	1
29	32486	(000000-) Washer Flat, 0.50, Sae	1
30	41359	(000000-) Nut, Hex, Std, M6 X 1.00, 8	2
31	08182	(000000-) Pin, Cotter, .125 X 1.00	2
32	32490	(000000-) Washer, Flat, 0.25, Std	4

Fig. 12 - Wheel and Brake Group, Front

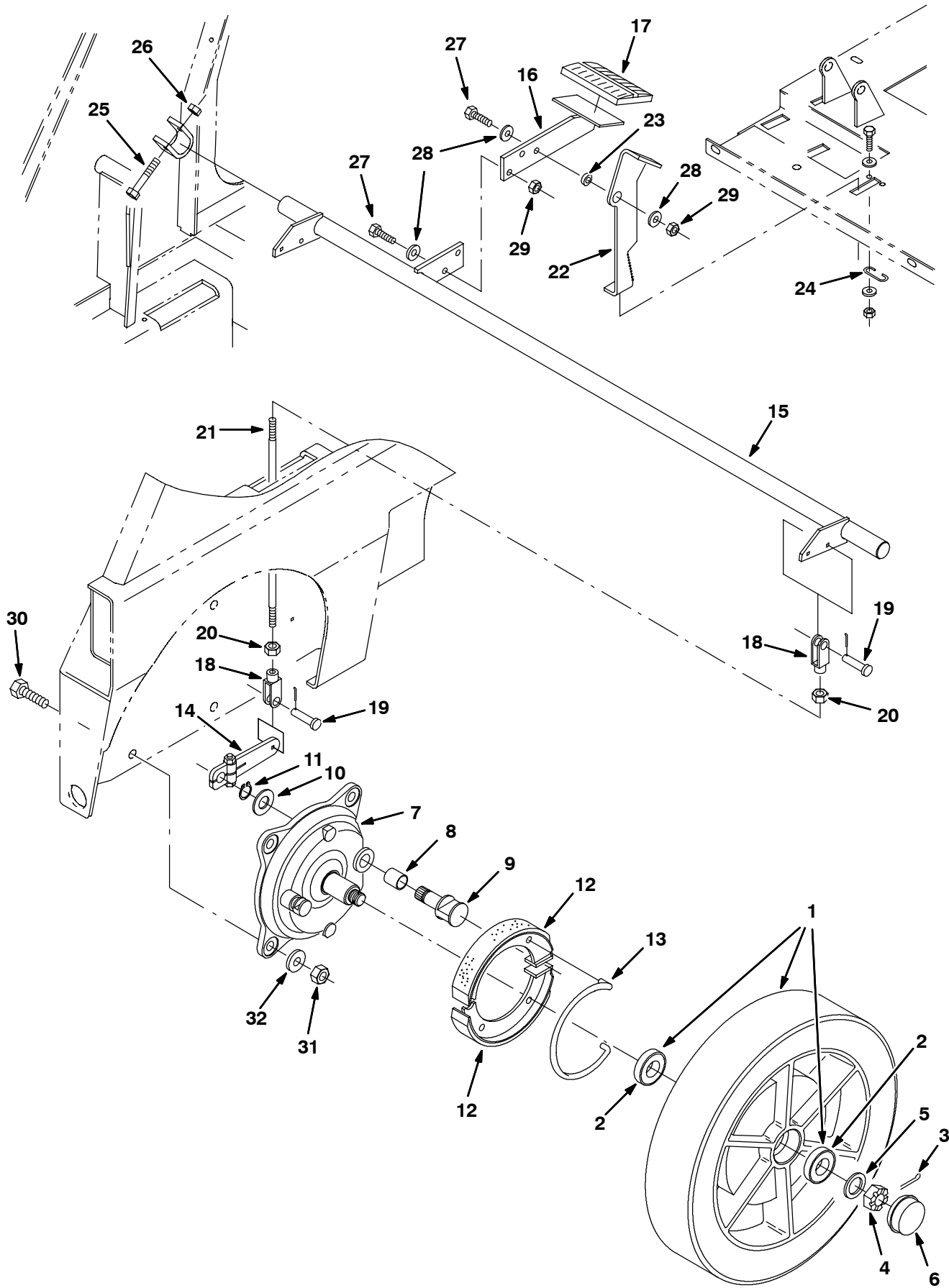


Fig. 12 - Wheel and Brake Group, Front

Ref.	Part No.	Serial Number	Description	Qty.
▽	1	360071	(000000-) Wheel Assy	2
▲	2	360074	(000000-) Bearing-Ball,1.18B 2.44D 0.63W	2
	3	08182	(000000-) Pin, Cotter, .125 X 1.00	2
	4	86659	(000000-) Nut-Hxslot .75-16 Pltd	2
	5	49145	(000000-) Washer, .765B 1.5Od .06Ss18-8	2
	6	54390	(000000-) Cap, Hub	2
▽		360023	(000000-) Brake Assy	2
▲	7	360270	(000000-) Backing Plate Kn	1
▲	8	360271	(000000-) Bushing,B20 D22 L24	1
▲	9	360272	(000000-) Cam,Nickel Plated Kn	1
▲	10	360273	(000000-) Washer-Flt 21 X37 X3 M20	1
▲	11	360274	(000000-) Ring, Retain,Ex,A20X1.2 D471	1
▲	12	360275	(000000-) Shoe, Brake	2
▲	13	360276	(000000-) Spring, Return, Brake	1
	14	360802	(000000-) Lever, Brake	2
	15	360054	(000000-) Lever Wldt, Brake	1
	16	360633	(000000-) Plate Wldt, Brake Lever	1
	17	51109	(000000-) Pad	1
	18	14595-1	(000000-) Clevis,Adjust.0.25-28Th.Cad.	4
	19	14605	(000000-) Pin,Clevis,0.25 Dia.X 0.75 Lg	4
	20	32899	(000000-) Nut-Hx Jam .25-28 Pltd	4
	21	360935	(000000-) Rod	2
	22	360345	(000000-) Lever, Brake Stop	1
	23	360352	(000000-) Spacer	1
	24	97031	(000000-) Spring, Parking Brake	1
	25	06949	(000000-) Screw, Hex, M6 X 1.00 X 50, 8.8	2
	26	08708	(000000-) Nut, Hex, Lock, M6 X 1.00, NI	2
	27	39277	(000000-) Screw, Hex, M8 X 1.25 X 25, 8.8	3
	28	32491	(000000-) Washer, Flat, 0.31, Std	4
	29	08709	(000000-) Nut, Hex, Lock, M8 X 1.25, NI	3
	30	06968	(000000-) Screw, Hex, M12 X 1.75 X 35, 8.8	8
	31	08711	(000000-) Nut, Hex, Lock, M12 X 1.75, NI	8
	32	32486	(000000-) Washer Flat,0.50,Sae	8

Fig. 13 - Steering Cylinder Group

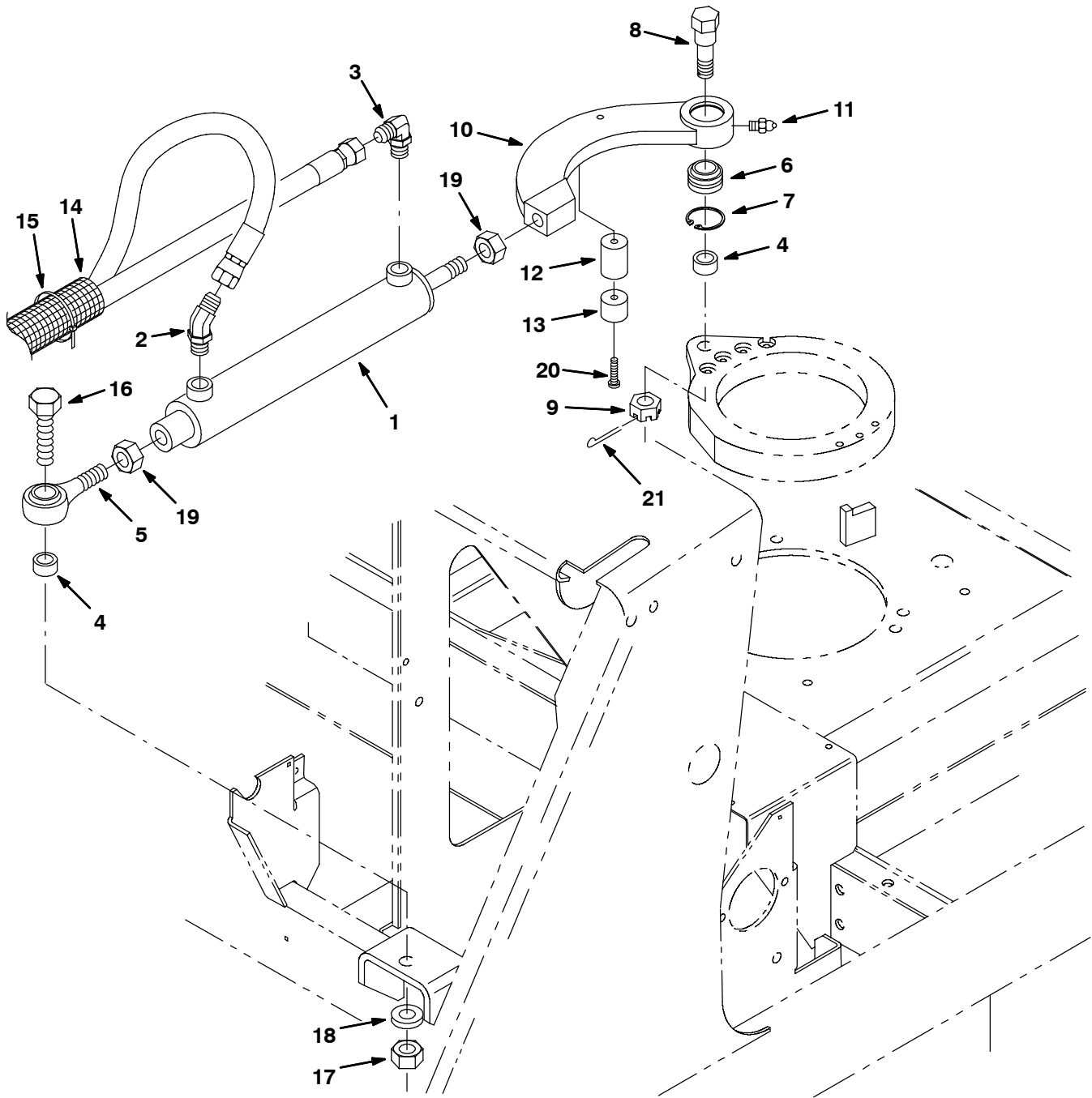


Fig. 13 - Steering Cylinder Group

Ref.	Part No.	Serial Number	Description	Qty.
1	1036631	(000000-) Cylinder, Hyd, 2.0b 19.0l 12.00strk 1500	1
2	47522	(000000-) Ftg-Hyd E45 Jm06/Om06	1
3	56820	(000000-) Ftg-Hyd E90 Jm06/Om06	1
4	69928	(000000-) Sleeve, .770B 1.12D .60Crs	2
5	64886	(000000-) Rod-End .75-16 .75 Dia	1
6	42120-4	(000000-) Bearing-Self Align, 1.000 Bore	1
7	69925	(000000-) Ring, Retaining, Int 1.63	1
8	69924	(000000-) Pin, Steering	1
9	39527	(000000-) Nut-Hxslot .75-16 Pltd	1
10	360176	(000000-) Link, Drag	1
11	07259	(000000-) Ftg, Grease.25-28Th Strt .47L	1
12	360177	(000000-) Spacer	1
13	69926	(000000-) Pad, Wear	1
14	82833	(000000-) Sleeve, Nyl 17 35.0L	1
15	49263	(000000-) Tie, Cable 3.00 Max 11.41 Lg	3
16	58056	(000000-) Screw, Hex, .75-10 X 3.00, 5	1
17	32987	(000000-) Nut, Hex, Lock, .75-10, NI	1
18	39350	(000000-) Washer, Flat, 0.75 Sae	1
19	43958	(000000-) Nut, Hex, Std, .75-16	2
20	09037	(000000-) Screw, Soc, M8 X 1.25 X 70, 12.9	1
21	08175	(000000-) Pin, Cotter, .125 X 1.25	1

Fig. 14 - Wheel Group, Rear Drive

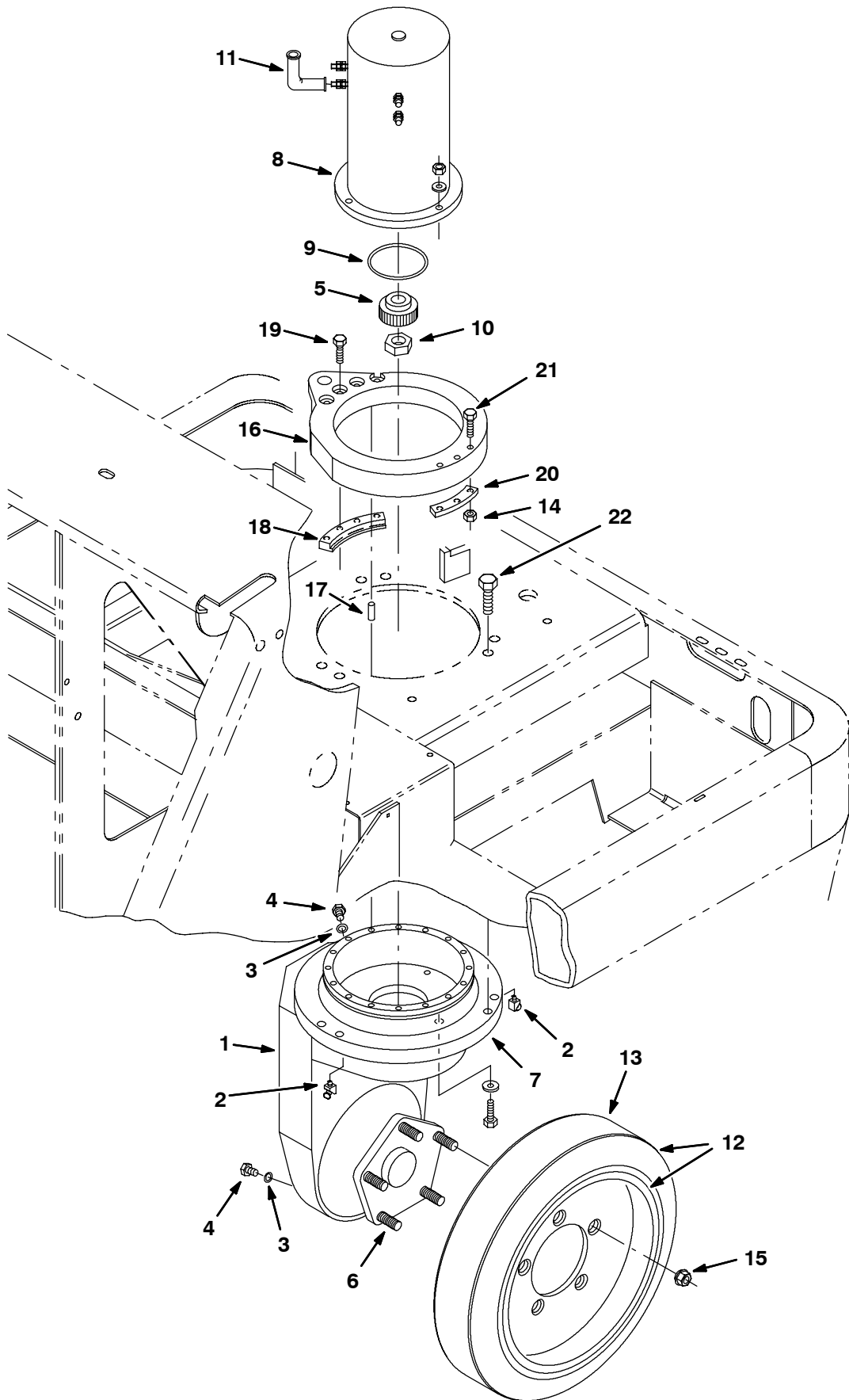


Fig. 14 - Wheel Group, Rear Drive

Ref.	Part No.	Serial Number	Description	Qty.
▽	1	87355	(000000-) Gearbox, Hurth	1
▲	2	87839	(000000-) Grease Fitting	2
▲	3	87840	(000000-) O-Ring	2
▲	4	87841	(000000-) Plug	2
▲	5	87849	(000000-) Driving Gear	1
▲	6	12540	(000000-) Wheel Bolt	5
▲	7	61791	(000000-) Bearing & Housing	1
	8	360065	(000000-) Motor 1.2 Hp 2550 Rpm 36 Vdc (See Breakdowns)	1
	9	360980	(000000-) Seal, O-Ring 2.984ld X .139T	1
	10	360680	(000000-) Nut-Hxlocnyln M14X1.5 Reg Pltd	1
	11	02076	(000000-) Boot, 90Deg .50D .57X .84	4
▽	12	360672	(000000-) Tire & Wheel Assy, 16X4.00 Un	1
▲	13	360298	(000000-) Tire, 16X4X12.125 Un PI Ds	1
	14	08713	(000000-) Nut-Hxlocnyln M 8X1.25 Reg Ss	3
	15	87750	(000000-) Nut-Wheel M14 X 1.5	5
	16	360693	(000000-) Ring, Steering	1
	17	87749	(000000-) Pin,Dowel,0.312Dia.X 1.00 Lg	8
	18	55808	(000000-) Clamp, Steering	1
	19	72040	(000000-) Scr-Hex M 8X1.25 45 10.9	4
	20	87359	(000000-) Clamp, Steering	1
	21	39278	(000000-) Screw, Hex, M8 X 1.25 X 50, 8.8	3
	22	41346	(000000-) Screw, Hex, M12 X 1.75 X 30, 8.8	6

Fig. 15 - Brush Lift Group, Main

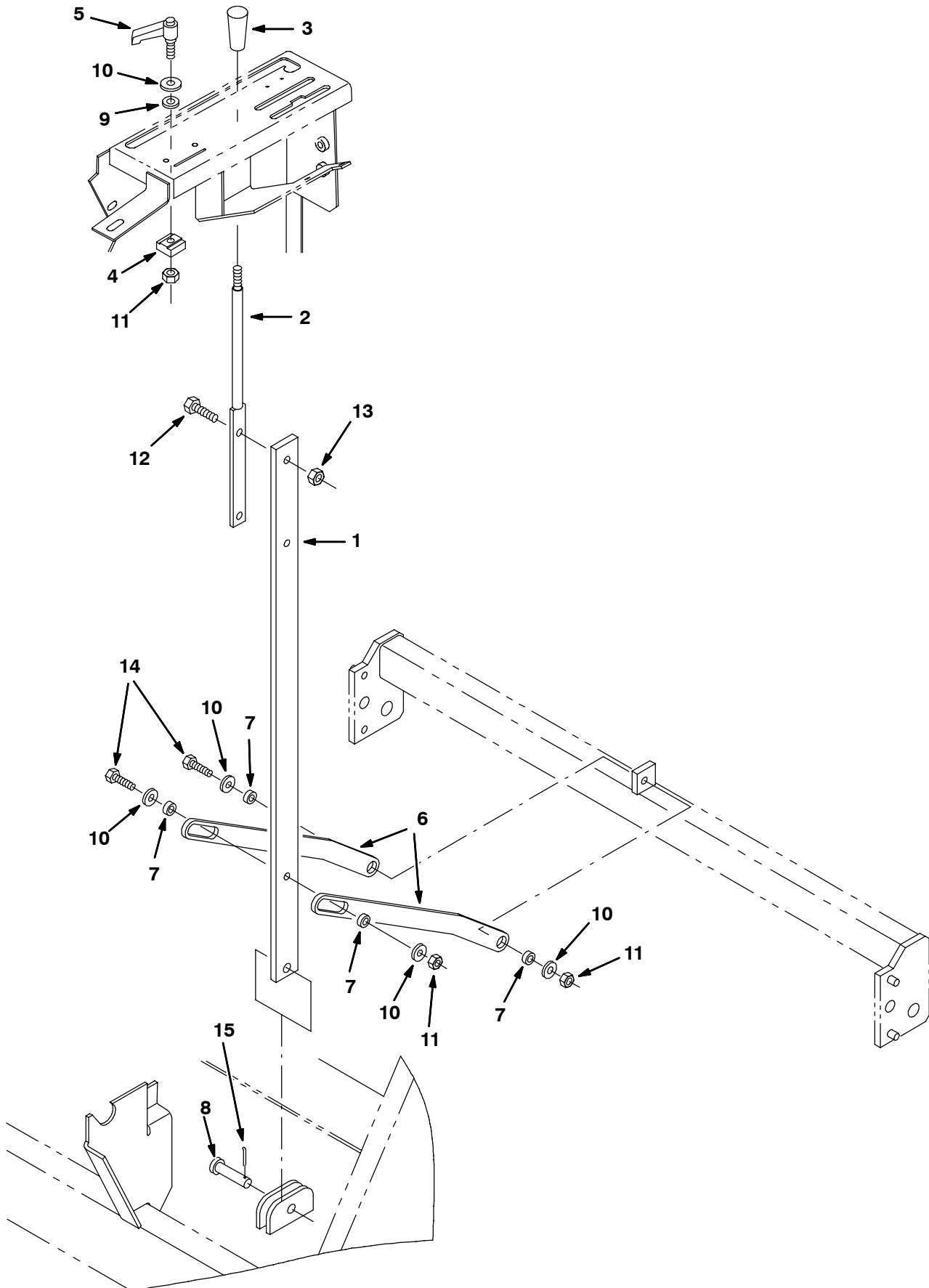


Fig. 15 - Brush Lift Group, Main

Ref.	Part No.	Serial Number	Description	Qty.
1	360144	(000000-) Lever, Brush Lift	1
2	361135	(000000-) Lever Wldt, Brush Lift	1
3	54995	(000000-) Knob, Tapered	1
4	360774	(000000-) Block, Adjusting	1
5	375020	(000000-) Lever, Adjustable, Plastic	1
6	360637	(000000-) Link, Main Brush Lift	2
7	360460	(000000-) Spacer	4
8	51529	(000000-) Pin, Clevis, 0.50 Dia. X 1.25 Lg	1
9	52296	(000000-) Washer, .405B .81D .06 Nylon	1
10	32491	(000000-) Washer, Flat, 0.31, Std	5
11	08709	(000000-) Nut, Hex, Lock, M8 X 1.25, NI	3
12	39277	(000000-) Screw, Hex, M8 X 1.25 X 25, 8.8	2
13	07791	(000000-) Nut, Hex, Flng, M8 X 1.25	2
14	06956	(000000-) Screw, Hex, M8 X 1.25 X 45, 8.8	2
15	08175	(000000-) Pin, Cotter, .125 X 1.25	1

Fig. 16 - Brush Cable Lift Group, Main

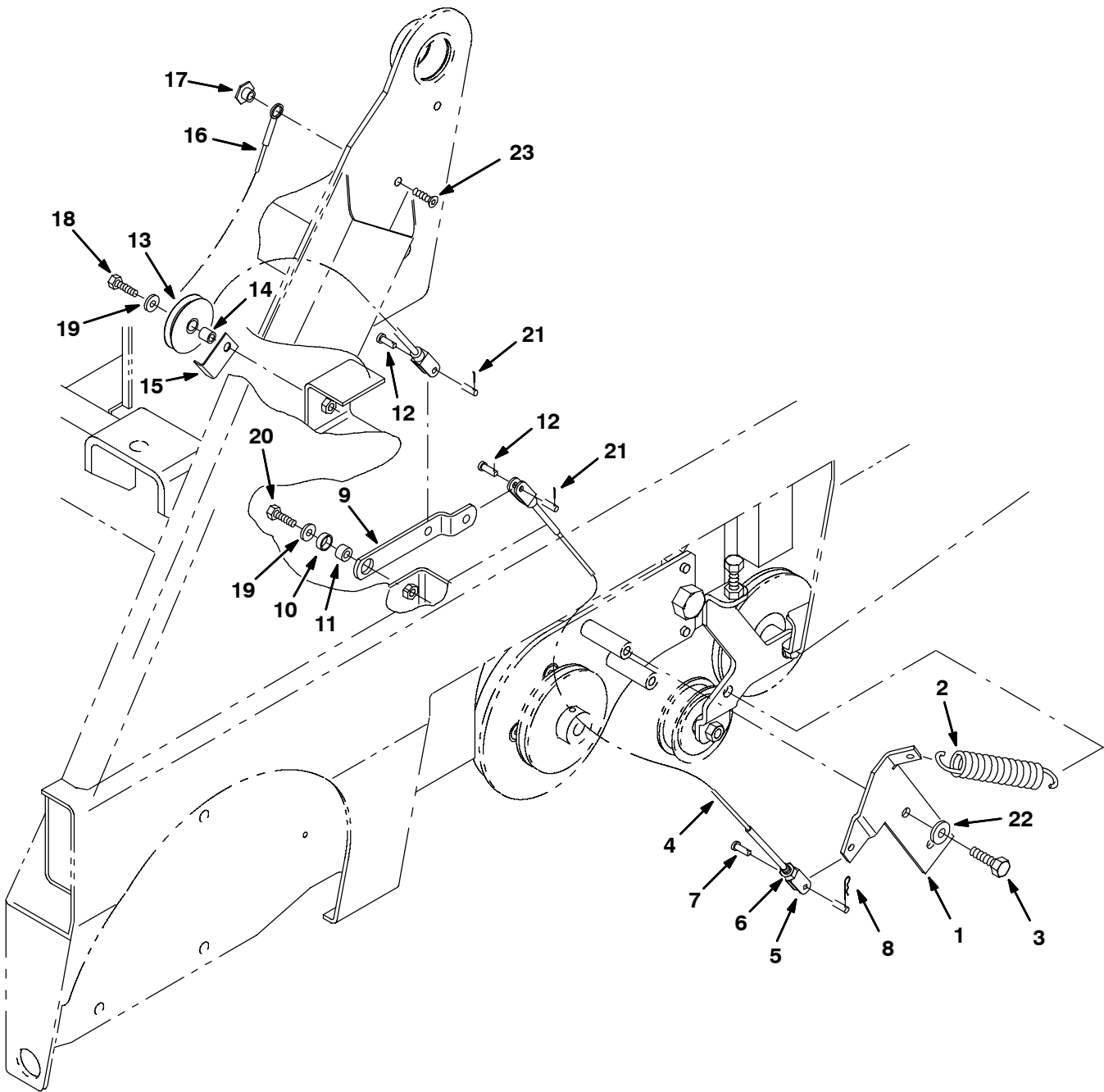


Fig. 16 - Brush Cable Lift Group, Main

Ref.	Part No.	Serial Number	Description	Qty.
1	361163	(000000-) Bracket, Auto Brush Lift	1
2	360488	(000000-) Spring, Extension	1
3	09291	(000000-) Scr Hexssm10X1.5 20	2
4	361096	(000000-) Cable Assy, Clevis & Stud	1
5	14595-1	(000000-) Clevis,Adjust.0.25-28Th.Cad.	1
6	32899	(000000-) Nut-Hx Jam .25-28 Pltd	1
7	14605	(000000-) Pin,Clevis,0.25 Dia.X 0.75 Lg	1
8	08085	(000000-) Pin Hair Cotter .056Dx1.1L	1
9	361085	(000000-) Plate, Pivot, Auto Lift	1
10	360491	(000000-) Bearing, .625 X .25	1
11	360460	(000000-) Spacer	1
12	09088	(000000-) Pin,Clevis,0.37 Dia.X 1.00 Lg	2
13	360454	(000000-) Pulley	1
14	222460	(000000-) Tube, 0.49D 0.23B 0.5L Ss	1
15	360413	(000000-) Angle, Cable Keeper	1
16	361097	(000000-) Cable Assy, Clevis & Eye	1
17	361114	(000000-) Spacer, Pivot	1
18	06955	(000000-) Screw, Hex, M8 X 1.25 X 35, 8.8	1
19	32491	(000000-) Washer, Flat, 0.31, Std	2
20	39277	(000000-) Screw, Hex, M8 X 1.25 X 25, 8.8	1
21	39005	(000000-) Pin, Cotter, .094 X 0.75	2
22	32492	(000000-) Washer, Flat, 0.38, Std	2
23	360821	(000000-) Screw, Flt, Soc, M8 X 1.25 X 16, 10.9	1

Fig. 17 - Brush Group, Main

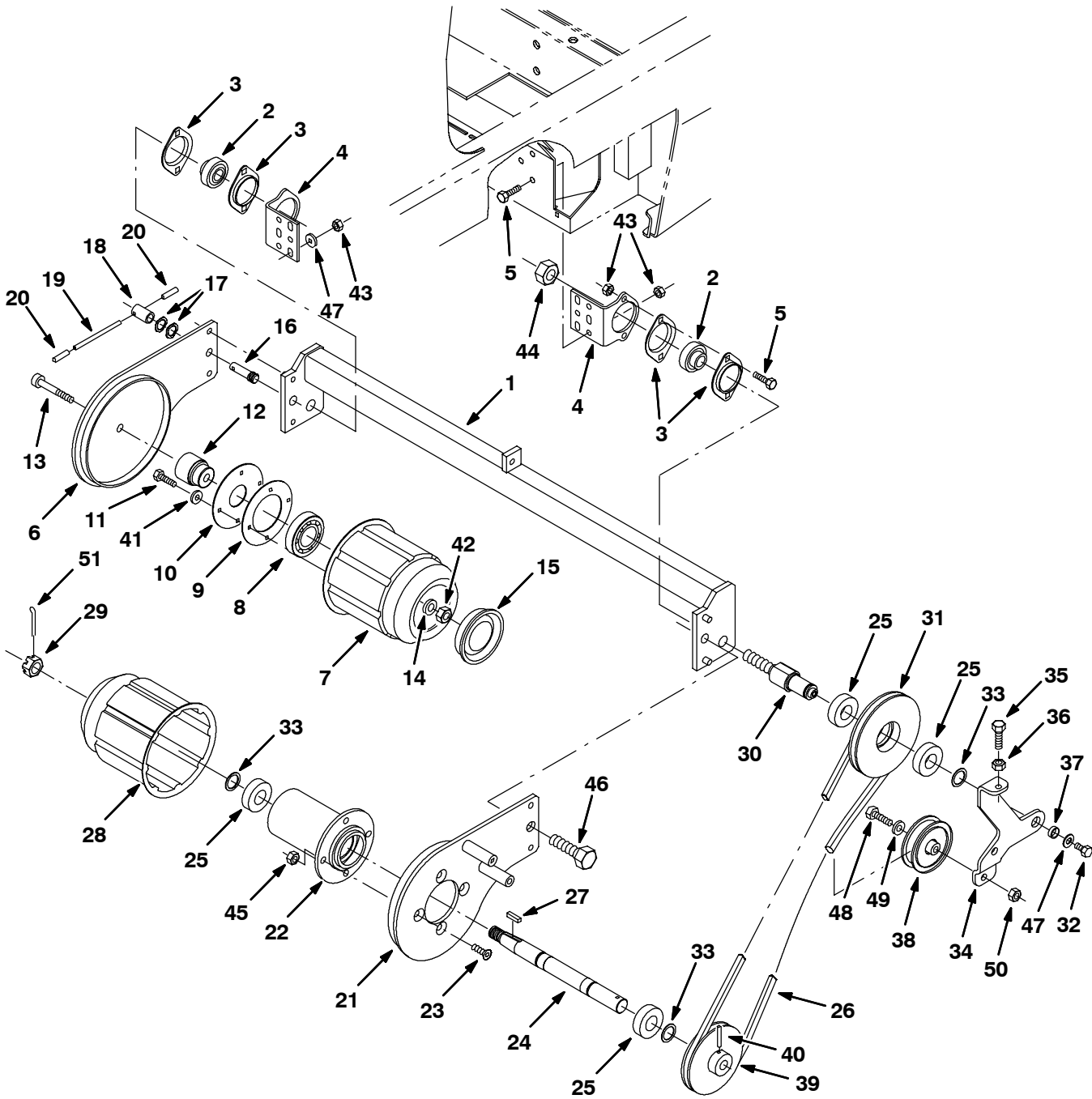


Fig. 17 - Brush Group, Main

Ref.	Part No.	Serial Number	Description	Qty.
1	360120	(000000-) Tube Wldt, Torque	1
2	25887	(000000-) Bearing, .750 Bore	2
3	35973	(000000-) Flange, Bearing	4
4	360132	(000000-) Bracket, Mtg, Bearing	2
5	09740	(000000-) Scr Hexssm 8X1.25	10
6	360107	(000000-) Arm Wldt, Rh	1
7	55779	(000000-) Plug Wldt, Idler	1
8	24899	(000000-) Bearing-Ball,1.38B 2.83D 0.67W	1
9	30252	(000000-) Strip Retainer Bearing	1
10	30253	(000000-) Plate Seal	1
11	12277	(000000-) Scr-Hexssm 6X1.0 20 Nylonloc	4
12	30251	(000000-) Shaft Idler	1
13	361555	(000000-) Scr Flt M12X1.75 80	1
14	51564	(000000-) Washer, .531B 1.75D .12Cr.Znc	1
15	30255	(000000-) Plug Tube	1
16	360110	(000000-) Stud, Special, M16X2.0	1
17	52508	(000000-) Washer-Wavy Spring	2
18	360109	(000000-) Sleeve	1
19	11631	(000000-) Pin,Roll,.25Odx3.50L,.250/.256	1
20	360492	(000000-) Cap	2
21	360108	(000000-) Arm Wldt, Lh	1
22	360104	(000000-) Hub, Brush-Drive, Machined	1
23	360347	(000000-) Scr-Flt M10X1.5 25	4
24	360113	(000000-) Shaft, Brush Drive	1
25	13534	(000000-) Bearing-Ball,0.98B 2.05D 0.59W	4
26	360320	(000000-) Belt, Brush Drive	1
27	00928	(000000-) Key Square 0.25 0.25 01.00 Lg	1
28	87631	(000000-) Plug Weld, Brush Drive, Sweep	1
29	39527	(000000-) Nut-Hxslot .75-16 Pltd	1
30	360116	(000000-) Stud, Special, Pivot	1
31	360114	(000000-) Sheave, Brush Drive	1
32	12273	(000000-) Scr-Hexssm 8X1.25 20 Nylnloc	1
33	13766	(000000-) Ring,Retain,Ex,0.98Od,Basic	1
34	360408	(000000-) Arm, Idler	3
35	06419	(000000-) Scr-Hexssm10X1.5 70 Full Thd	1
36	07787	(000000-) Nut Hx Std Ss M10X1.5	1
37	360491	(000000-) Bearing, .625 X .25	1
38	04186	(000000-) Pulley,Idler-W/Bearing-Plastic	1
39	360115	(000000-) Sheave, Brush	1
40	11398	(000000-) Pin,Roll,.25Odx2.00L,.250/.256	1
41	01684	(000000-) Washer, Flat, 0.25 Ss	4
42	08711	(000000-) Nut, Hex, Lock, M12 X 1.75,NI	1
43	08709	(000000-) Nut, Hex, Lock, M8 X 1.25, NI	10
44	32987	(000000-) Nut, Hex, Lock, .75-10, NI	2
45	41430	(000000-) Nut, Hex, Lock, M10 X 1.5, NI	4
46	06977	(000000-) Screw, Hex, M16 X 2.0 X 20, 8.8	1
47	32491	(000000-) Washer, Flat, 0.31, Std	4
48	27988	(000000-) Screw, Hex, .38-16 X 1.50, G5	1
49	32485	(000000-) Washer, Flat, 0.38, Sae	1
50	36643	(000000-) Nut, Hex, Lock, .38-16, NI, Thin	1
51	08182	(000000-) Pin, Cotter, .125 X 1.00	1

Fig. 18 - Brush Drive Group, Main

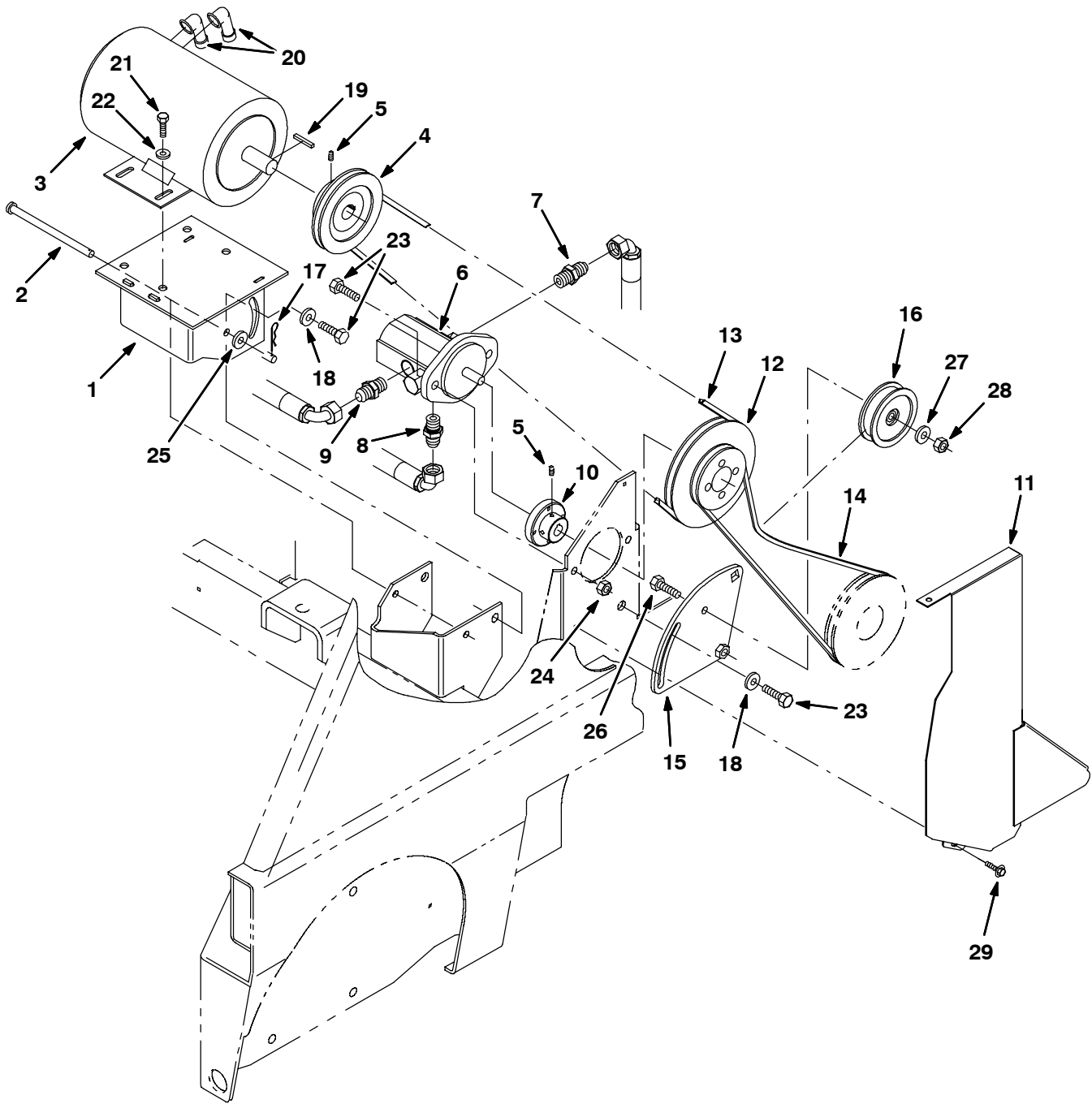


Fig. 18 - Brush Drive Group, Main

Ref.	Part No.	Serial Number	Description	Qty.
1	360671	(000000-) Bracket Wldt, Mtg, Motor	1
2	49924	(000000-) Pin,Clevis,0.37 Dia.X 6.12 Lg	1
3	360175	(000000-) Motor, 36V (See Breakdowns)	1
4	360178	(000000-) Sheave, Step 3V 1.00ld	1
5	57496	(000000-) Scr-Set .25-20X0.31 Nylon Loc	4
6	361020	(000000-) Pump, Hyd Gear (See Breakdowns)	1
7	52402	(000000-) Ftg-Hyd Str Jm06/Om08	1
8	50960	(000000-) Ftg-Hyd Str Jm06/Om04	1
9	06750	(000000-) Ftg-Hyd Str Jm12/Om10	1
10	360180	(000000-) Hub, Sheave	1
11	361291	(000000-) Guard Assy, Belt, Ev W/Label	1
12	360179	(000000-) Sheave, Step 3V Flanged	1
13	360686	(000000-) Belt, V, 3V X 335	1
14	03670	(000000-) V-Belt 3VI - 540	1
15	360687	(000000-) Plate, Adjusting, Idler	1
16	02356	(000000-) Pulley,Idler,W.Brng,Plastic	1
17	08085	(000000-) Pin, Haircotter .31D .058 wire	1
18	41187	(000000-) Washer-Belleville .38 Pltd	4
19	00915	(000000-) Key Square 0.18 0.18 01.38 Lg	1
20	02076	(000000-) Boot, 90 Deg .50D .57x.84	2
21	39277	(000000-) Screw, Hex, M8 X 1.25 X 25, 8.8	4
22	41186	(000000-) Washer, Flat, Belleville, .31	4
23	39283	(000000-) Screw, Hex, M10 X 1.50 X 25, 8.8	6
24	41430	(000000-) Nut, Hex, Lock, M10 X 1.5, NI	2
25	32492	(000000-) Washer, Flat, 0.38, Std	1
26	27990	(000000-) Screw, Hex, .38-16 X 2.00, G5	1
27	32485	(000000-) Washer, Flat, 0.38, Sae	1
28	50902	(000000-) Nut, Hex, Lock, .38-16, NI	1
29	74455	(000000-) Screw, Hex, M6 X 1.00 X 12, Fmg	3

Fig. 19 - Brush Lift Group, Side

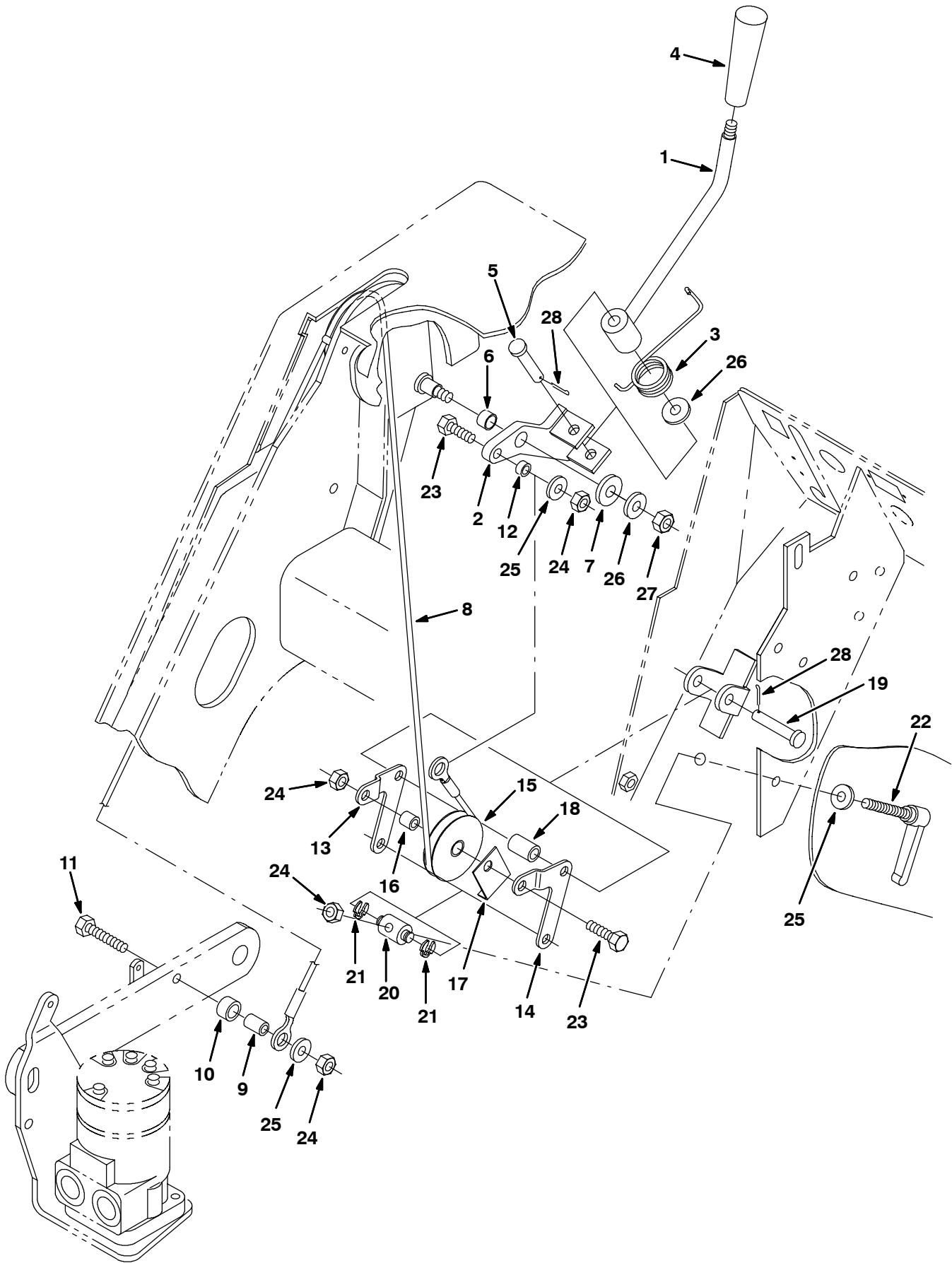


Fig. 19 - Brush Lift Group, Side

Ref.	Part No.	Serial Number	Description	Qty.
1	360449	(000000-) Handle Wldt, Side Brush	1
2	360417	(000000-) Lever Wldt, Brush Lift	1
3	360961	(000000-) Spring, Torsion	1
4	54995	(000000-) Knob, Tapered	1
5	51813	(000000-) Pin, Clevis, 0.37 Dia. X 2.12 Lg	1
6	64173	(000000-) Bearing, .50X.38	1
7	39346	(000000-) Washer-Flt .44 Std Hard Pltd	1
8	360079	(000000-) Cable	1
9	360930	(000000-) Sleeve, .318B .50D .75 Ss	1
10	360631	(000000-) Sleeve, .510B .75D .44 Stlzn	1
11	222505	(000000-) Screw Hex Ssm 8X1.25 45	1
12	360801	(000000-) Sleeve, .318B .50D .25 Ss	1
13	360410	(000000-) Arm, Brush, Adj, Rh	1
14	360411	(000000-) Arm, Brush, Adj, Lh	1
15	360454	(000000-) Pulley	1
16	222460	(000000-) Tube, 0.49D 0.23B 0.5L Ss	1
17	360413	(000000-) Angle, Cable Keeper	1
18	360451	(000000-) Sleeve, .402B .62D1.31	1
19	29584	(000000-) Pin, Clevis, 0.37 Dia. X 2.00 Lg	1
20	71126	(000000-) Block	1
21	12364	(000000-) Ring, Retain, Ex, 0.375D, Klipring	2
22	360414	(000000-) Lever, Adjustable, Plastic	1
23	76570	(000000-) Screw, Hex, M08 X 1.25 X 30, 8.8	2
24	08709	(000000-) Nut, Hex, Lock, M8 X 1.25, NI	4
25	32491	(000000-) Washer, Flat, 0.31 Std	3
26	32492	(000000-) Washer, Flat, 0.38 Std	2
27	41430	(000000-) Nut, Hex, Lock, M10 X 1.5, NI	1
28	08179	(000000-) Pin, Cotter, .094 X 1.00	2

Fig. 20 - Brush Motor and Pivot Group, Side

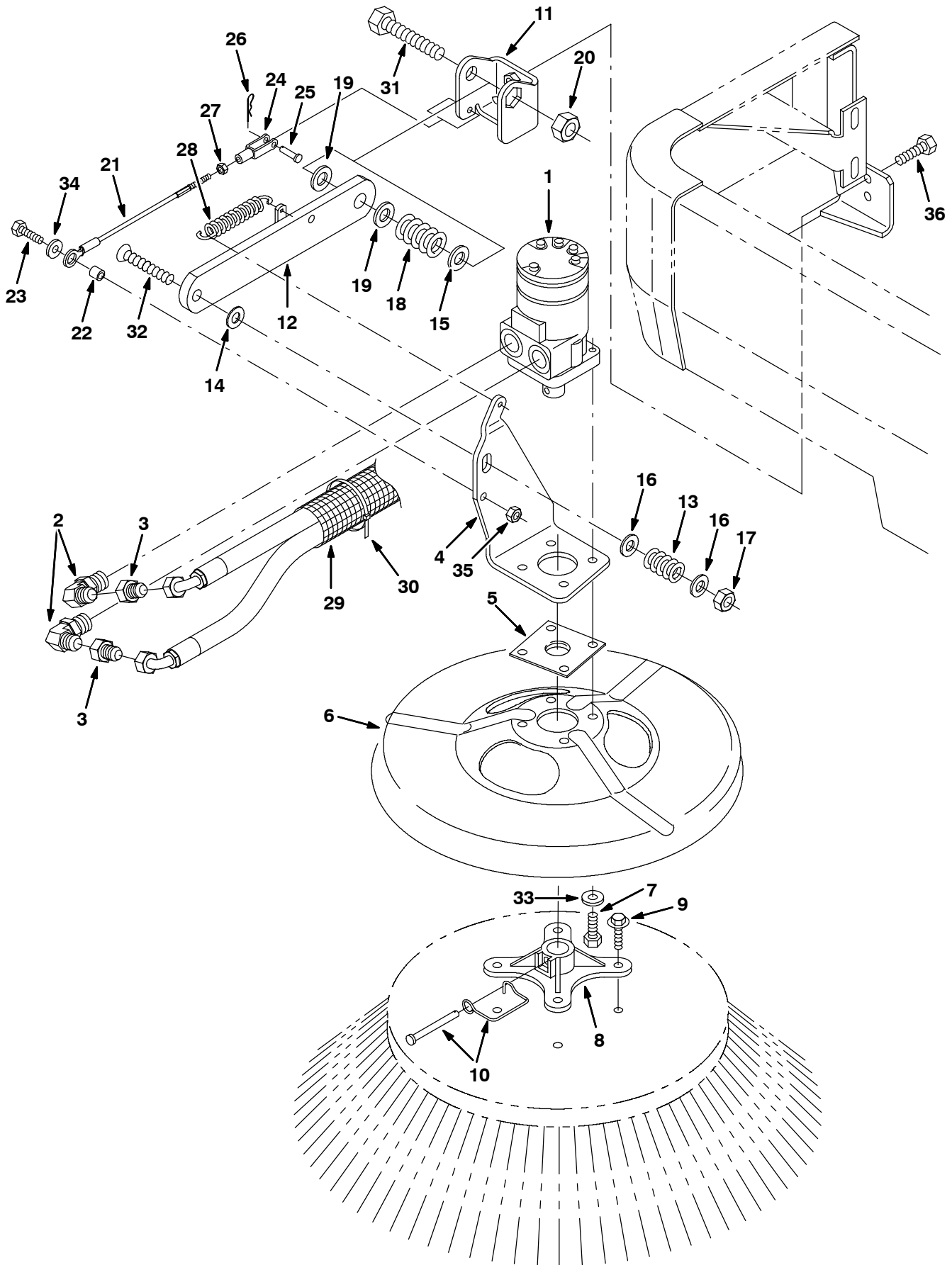


Fig. 20 - Brush Motor and Pivot Group, Side

Ref.	Part No.	Serial Number	Description	Qty.
1	361026	(000000-) Motor, Hyd Gear (See Breakdowns)	1
2	56821	(000000-) Ftg-Hyd E90 Jm08/Om10	2
3	47753	(000000-) Ftg-Hyd Str Jm06/Jf08	2
4	360028	(000000-) Bracket, Mtg, Motor	1
5	16082	(000000-) Guard, String, Brush Motor	1
6	53984	(000000-) Guard, Brush	1
7	46559	(000000-) Scr-Hex .38-16X1.25 Nylon Loc	4
8	47501	(000000-) Hub, Brush Adaptor, 1.00B	1
9	39396	(000000-) Scr-Lag .31-09X1.00 Pltd	4
10	84581	(000000-) Pin Assy, Side Brush W/Clip	1
11	360027	(000000-) Bracket, Mtg	1
12	361070	(000000-) Arm Wldt, Lift	1
13	360357	(000000-) Spring, Die .50ld 1.00Od 1.25L	1
14	59633	(000000-) Bearing, Thrust - Fiberglide	1
15	15331	(000000-) Washer Flt .62 Sae	1
16	32486	(000000-) Washer Flt .50 Sae	2
17	86029	(000000-) Nut-Hxflexloc .50-13 Thin Pltd	1
18	360081	(000000-) Spring, Die .62ld 1.25Od 1.75L	1
19	64425	(000000-) Washer, .656B 1.25D .06	2
20	33342	(000000-) Nut-Hxlocnyln M16X2.0 Reg Pltd	1
21	360078	(000000-) Cable	1
22	360801	(000000-) Sleeve, .318B .50D .25 Ss	1
23	09010	(000000-) Scr Hexssm 8X1.25 25	1
24	14595-1	(000000-) Clevis,Adjust.0.25-28Th.Cad.	1
25	14605	(000000-) Pin,Clevis,0.25 Dia.X 0.75 Lg	1
26	08085	(000000-) Pin Hair Cotter .056Dx1.1L	1
27	32899	(000000-) Nut-Hx Jam .25-28 Pltd	1
28	29499	(000000-) Spring, Tens.750Dx.10Wirex4.5	1
29	361084	(000000-) Sleeve, Nyl #27 60.0L	1
30	49266	(000000-) Tie, Cable 1.75D Max 7.5 Lg	2
31	06988	(000000-) Screw, Hex, M16 X 2.0 X 90, 8.8	1
32	27108	(000000-) Screw, Flt, .50-13 X 2.50, Al	1
33	32492	(000000-) Washer, Flat, 0.38 Std	4
34	32491	(000000-) Washer, Flat, 0.31, Std	1
35	08709	(000000-) Nut, Hex, Lock, M8 X 1.25, NI	1
36	09028	(000000-) Screw, Hex, M10 X 1.5 X 25, Ss	2

Fig. 21 - Vacuum Fan Control Group

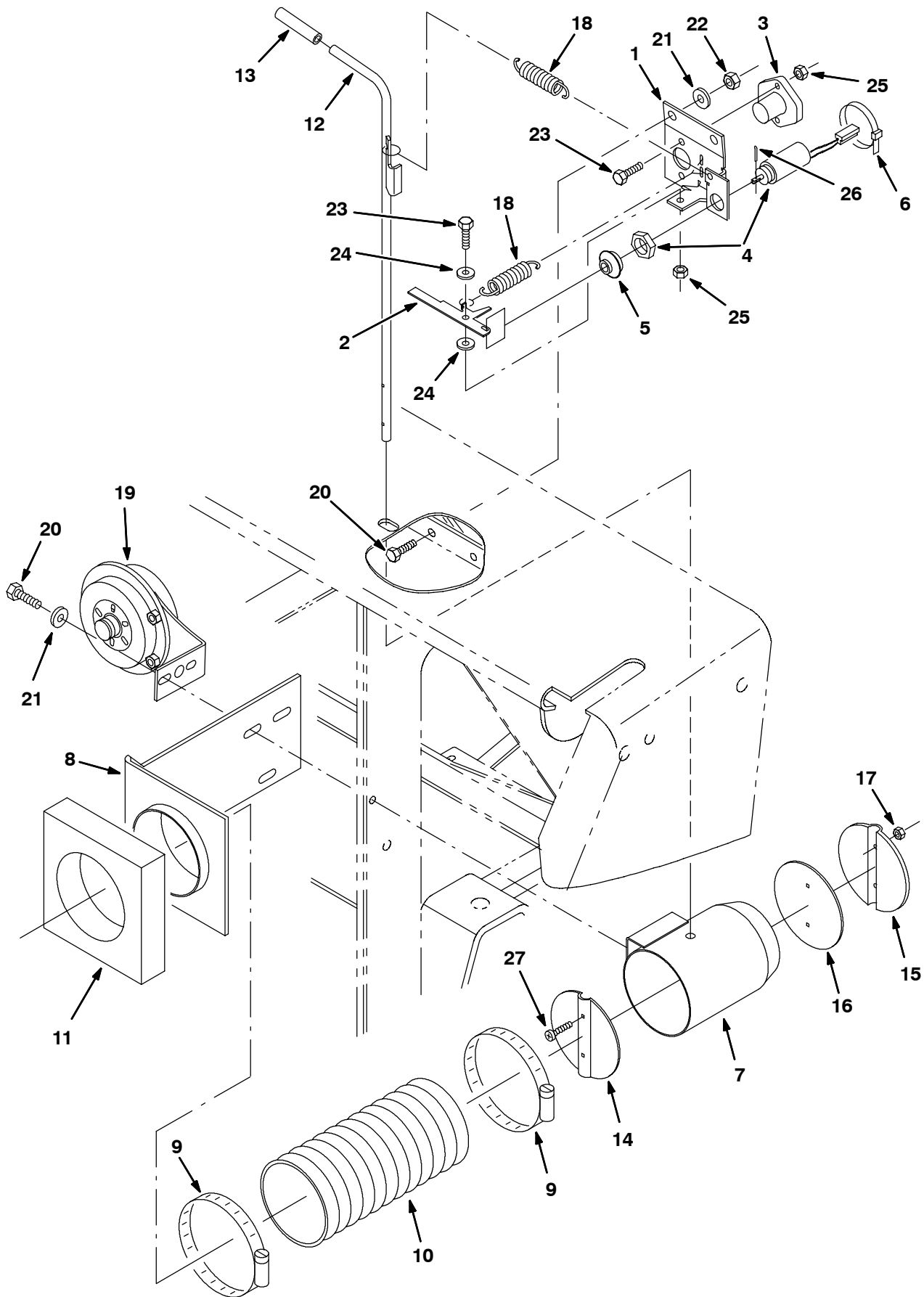


Fig. 21 - Vacuum Fan Control Group

Ref.	Part No.	Serial Number	Description	Qty.
1	360660	(000000-) Bracket, Shaker Switch	1
2	375019	(000000-) Lever, Vac Fan	1
3	44078	(000000-) Switch, Pushmom, Spst100A 12V	1
4	87584	(000000-) Solenoid Assy.	1
5	87707	(000000-) Bellows, Solenoid .75-16	1
6	49266	(000000-) Tie, Cable 1.75D Max 7.50Lg	1
7	360655	(000000-) Tube Wldt, Vac Fan	1
8	360678	(000000-) Bracket Wldt, Duct	1
9	23498	(000000-) Clamp-Wormdrive, 2.63- 4.50D	2
10	360977	(000000-) Hose, Flexible 4.0 Id X 8.0 Lg	1
11	360979	(000000-) Seal, Vac Inlet	1
12	360658	(000000-) Rod Wldt, Damper	1
13	360981	(000000-) Grip, Vinyl, .375Id X 2.75	1
14	46140	(000000-) Damper Plate	1
15	49300	(000000-) Damper Weld.	1
16	87983	(000000-) Seal, Damper	1
17	75939	(000000-) Nut-Hxlocnyln 06-32 Regss18-8	2
18	09087	(000000-) Sprng,Tens,0.56Odx.05Wire 0.9L	2
19	369702	(000000-) Horn	1
20	39277	(000000-) Screw, Hex, M8 X 1.25 X 25, 8.8	5
21	32491	(000000-) Washer, Flat, 0.31, Std	5
22	07791	(000000-) Nut, Hex, Flng, M8 X 1.25	2
23	06943	(000000-) Screw, Hex, M6 X 1.00 X 20, 8.8	3
24	32483	(000000-) Washer, Flat, 0.25, Sae	2
25	08708	(000000-) Nut, Hex, Lock, M6 X 1.00, NI	3
26	08346	(000000-) Pin, Cotter, .125 X 0.75	1
27	25005	(000000-) Screw, Pan, Phl, 06-32 X 1.00, G1	2

Fig. 22 - Vacuum Fan Group

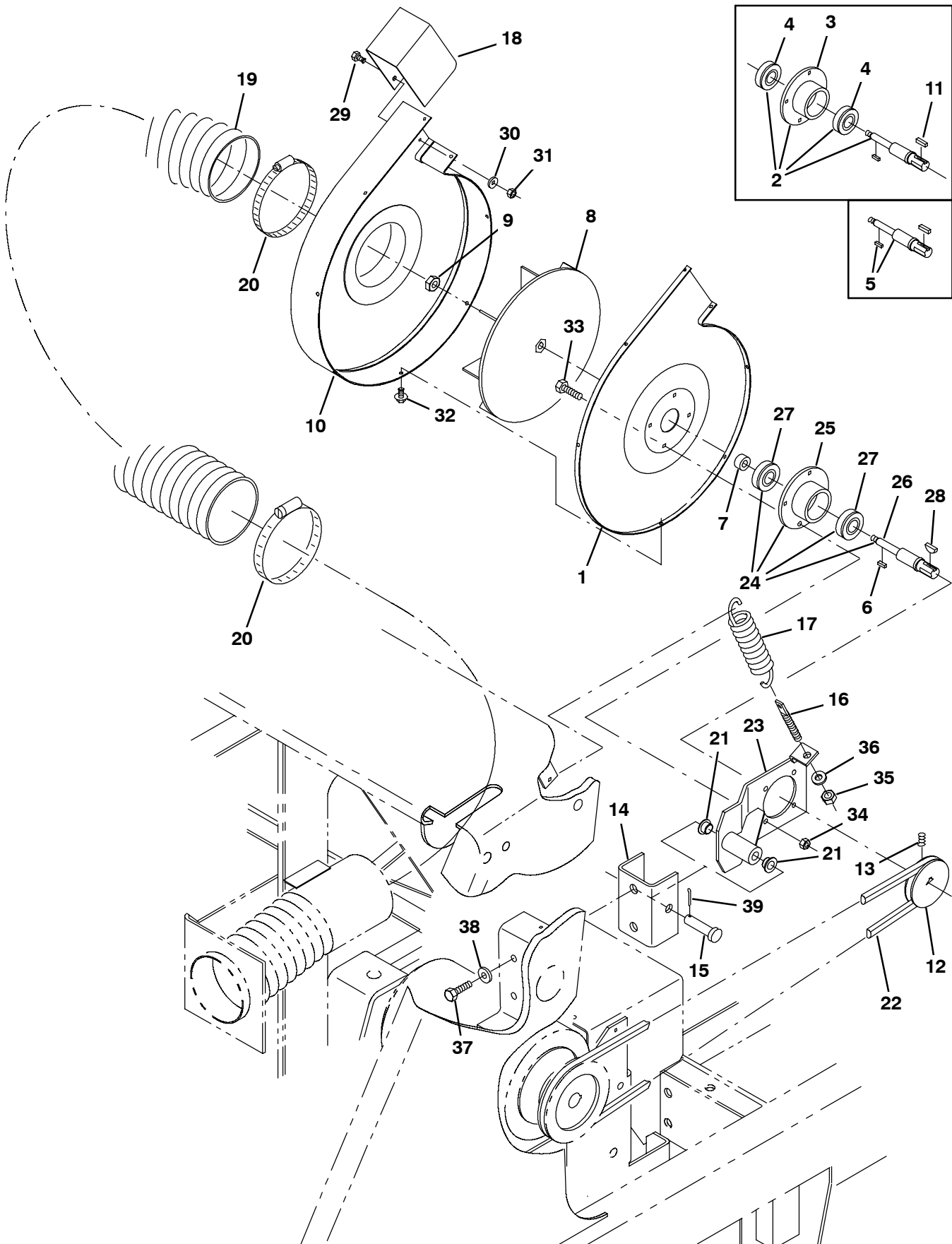


Fig. 22 - Vacuum Fan Group

Ref.	Part No.	Serial Number	Description	Qty.
	1	361272	(000000-) Plate, Vac Fan W/Label	1
▽	2	387388	(000000-002885) Kit, Repair, Shaft Assy	1
▲	3	41561	(000000-002885) Flange, Bearing	1
▲	4	32525	(000000-002885) Bearing-Ball,0.67B 1.57D 0.47W	2
	5	387389	(000000-002885) Kit, Repair, Shaft W/ Key	1
	6	00954	(000000-) Key Square 0.12 0.12 00 1.00 Lg	1
	7	10362	(000000-) Spacer	1
	8	74454	(000000-) Impeller, 9.00 Dia X 1.40Wx.376B	1
	9	87299	(000000-) Nut-Hxflexloc .31-24 Thin Pltd	1
	10	87624	(000000-) Fan Wldt, Housing	1
	11	00911	(000000-002885) Key Square 0.18 0.18 00.75 Lg	1
	12	360181	(000000-) Sheave, 3V, 2.85 Pd	1
	13	39338	(000000-) Scr Set .31-18X0.50	1
	14	360666	(000000-) Channel	1
	15	23683	(000000-) Pin, Clevis, 0.50 D X 3.00l	1
	16	11843	(000000-) Bolt-Eye, .38-16Th .28B 3.22L	1
	17	33372	(000000-) Spring, Tens,1.30Dx.15Wire6.Ol	1
	18	361179	(000000-) Guard, Fan	1
	19	360765	(000000-) Hose Flexflyte, 4.00 Id	1
	20	23498	(000000-) Clamp-Wormdrive, 2.63- 4.50D	2
	21	360917	(000000-) Bearing-Flange, .500Bore .38L	2
	22	360686	(000000-) Belt, V, 3V X 335	1
	23	360665	(000000-) Bracket, Mtg, Vac Fan	1
▽	24	387387	(002886-) Shaft Assy, Brg	1
▲	25	41561	(002886-) Bushing Assy, Flng, 4 Hole, 1.57B, Stl	1
▲	26	387376	(002886-) Shaft, Impeller	1
▲	27	32525	(002886-) Bearing, Ball, 0.67B 1.57D 0.47W	2
	28	00500-10	(002886-) Key, Woodruff, 0.19 0.75, Asa0606	1
	29	12312	(002886-) Screw, Hex, M5 X 0.80 X 12, 8.8	2
	30	19066	(002886-) Washer, Flat, 10	2
	31	06549	(002886-) Nut, Hex, Lock, M5 X 0.80, NI	2
	32	87838	(002886-) Screw, Hex, 06-20 X 0.50, Fmg/Ab, Pl	9
	33	06943	(002886-) Screw, Hex, M6 X 1.00 X 20, 8.8	4
	34	08708	(002886-) Nut, Hex, Lock, M6 X 1.00, NI	4
	35	50902	(002886-) Nut, Hex, Lock, .38-16, NI	1
	36	32492	(002886-) Washer, Flat, 0.38, Std	1
	37	39283	(002886-) Screw, Hex, M10 X 1.50 X 25, 8.8	2
	38	32492	(002886-) Washer, Flat, 0.38, Std	2
	39	08175	(002886-) Pin, Cotter, .125 X 1.25	1

Fig. 23 - Hopper Lift Arms Group

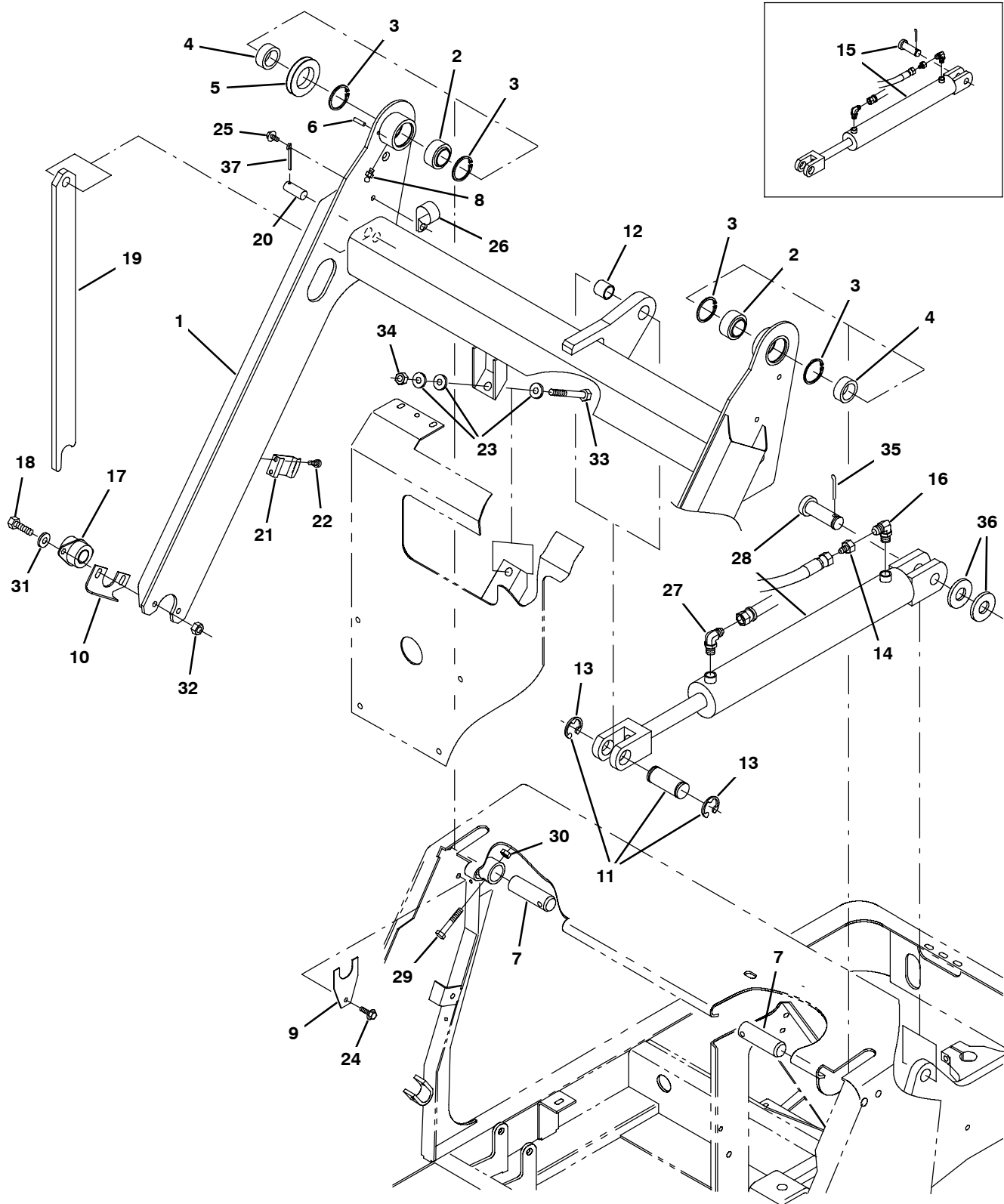


Fig. 23 - Hopper Lift Arms Group

Ref.	Part No.	Serial Number	Description	Qty.
1	361276	(000000-) Arm Assy, Lift W/Label	1
2	42120-1	(000000-) Bearing-Self Align 1.250 Bore	2
3	59542	(000000-) Ring, Retaining, Intl 2.00Dia	4
4	360455	(000000-) Sleeve, 1.253B 1.75D .69	2
5	360077	(000000-) Sheave	1
6	17404	(000000-) Pin, Roll, .25Odx0.75L, .250/.256	1
7	360064	(000000-) Pin	2
8	07259	(000000-) Ftg, Grease.25-28Th Strt .47L	2
9	360768	(000000-) Plate, Spacer, Lift Arm	8
10	360903	(000000-) Bracket, Guard	1
▽	11	361295	(000000-) Pin Assy, Clevis, Hopper Lift	1
▲	12	35529	(000000-) Bearing, Journal	1
▲	13	23788	(000000-) Ring, Retaining	2
	14	16455	(000000-) Ftg-Hyd Rst Jm04/.047	1
	15	361013	(000000-004890) Cylinder, Hyd 2.5B (See Breakdowns)	1
	16	47638	(000000-) Ftg-Hyd E90 Jm04/Om06	1
	17	87216	(000000-) Flange Bearing 1.00 Bore	2
	18	09028	(000000-) Scr Hexssm 10X1.5 25	4
	19	361274	(000000-) Arm, Safety, W/Label	1
	20	360386	(000000-) Pin	1
	21	87244	(000000-) Clip Spring Prop Arm	1
	22	48732	(000000-) Screw, Panssm 6X1.0	2
	23	36328	(000000-) Washer-Belleville .50 Pltd	3
	24	12459	(000000-) Scr-Hx Fmgm 6X1.0 20	2
	25	74455	(000000-) Scr-Hx Fmgm 6X1.0 12	1
	26	86328	(000000-) Clamp, Cable 1.5 Dia	1
	27	56820	(000000-) Ftg-Hyd E90 Jm06/Om06	1
	28	1026362	(004891-) Cylinder, Hyd, Hopper Lift	1
	29	06957	(000000-) Screw, Hex, M8 X 1.25 X 60, 8.8	2
	30	08709	(000000-) Nut, Hex, Lock, M8 X 1.25, NI	2
	31	32492	(000000-) Washer, Flat, 0.38 Std	4
	32	07792	(000000-) Nut, Hex, Flng, M10 X 1.5	4
	33	34877	(000000-) Screw, Hex, M10 X 1.5 X 100, 8.8	1
	34	41430	(000000-) Nut, Hex, Lock, M10 X 1.5, NI	1
	35	08298	(000000-) Pin, Cotter, .187 X 1.75	1
	36	32598	(000000-) Washer, Flat, 1.02b 1.75d .12, Stl	2
	37	08361	(000000-) Pin, Cotter, .250 X 1.25	1

Fig. 24 - Hopper Group

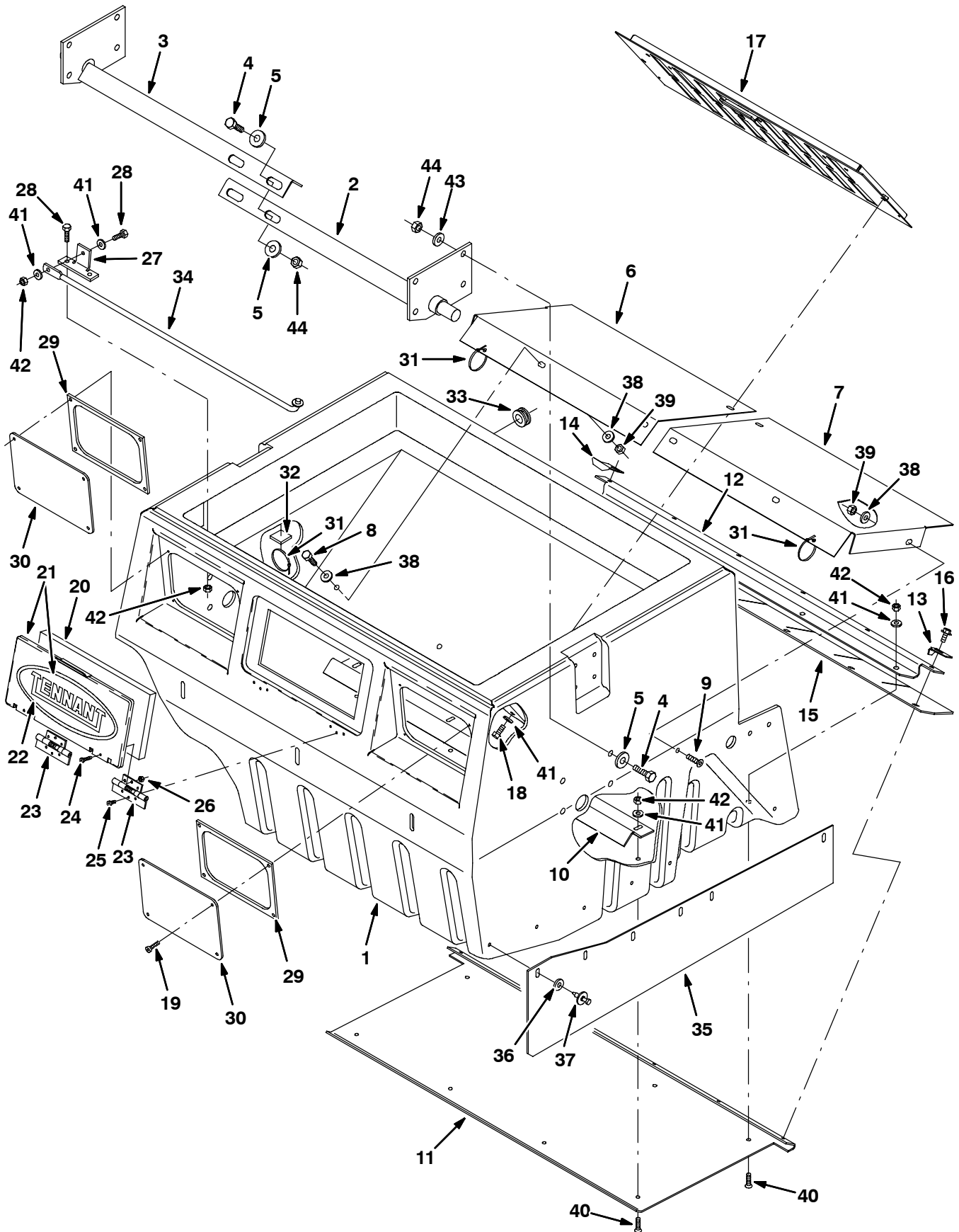


Fig. 24 -Hopper Group

Ref.	Part No.	Serial Number	Description	Qty.
1	360042	(000000-) Hopper	1
2	360192	(000000-) Plate Wldt, Pivot, Lh	1
3	360193	(000000-) Plate Wldt, Pivot, Rh	1
4	12317	(000000-) Scr Hexssm10X1.5 30	6
5	41619	(000000-) Washer Flt .50 Ss	8
6	360334	(000000-) Panel, Debris, Rh	1
7	360335	(000000-) Panel, Debris, Lh	1
8	09740	(000000-) Scr Hexssm 8X1.25	4
9	74077	(000000-) Screw, Flat,M 8X1.25 Ss 18-8	2
10	360426	(000000-) Angle, Bottom Stiffener	1
11	360191	(000000-) Plate, Wear	1
12	360194	(000000-) Strip, Retainer, Hopper Lip	1
13	360893	(000000-) Deflector, Hopper, Lh	1
14	360894	(000000-) Deflector, Hopper, Rh	1
15	360327	(000000-) Skirt, Lip	1
16	361339	(000000-) Scr-Hxfmgm 6X1.0 16 Pltd	6
17	360908	(000000-) Panel Wldt, Perma-Filter	1
18	15678	(000000-) Screw Hexssm 6X1.0	2
19	360943	(000000-) Scr-Pan 10-14X0.75 F/Plst Pl	8
20	360890	(000000-) Seal, Door, Access	1
▽	21	360328	(000000-) Door, Access W/Label	1
▲	22	09806	(000000-) Label, Tennant Logo	1
▽		375134	(000000-) Hinge Set, Access, Door, Painted	1
▲	23	375133	(000000-) Hinge, Access, Door, Painted	2
▲	24	49697	(000000-) Scr Pan Ssm 4X0.7 25	2
▲	25	12323	(000000-) Scr Panssm 4X0.7 20	6
▲	26	33932	(000000-) Nut Hxlocnyln M 4X 0.7 Reg Ss	8
	27	360430	(000000-) Bracket, Support, Cover	1
	28	08716	(000000-) Screw Hex Ssm 6 X 1.0 20	3
	29	360604	(000000-) Seal, Headlight	2
	30	360605	(000000-) Plate, Headlight	2
	31	49266	(000000-) Tie, Cable 1.75D Max 7.50Lg	6
	32	55248	(000000-) Cabletie Mount, Adhesive	3
	33	10632-18	(000000-) Grommet,Rbr,0.69ld,For .25Matl	1
	34	360429	(000000-) Rod Wldt, Cover	1
	35	360786	(000000-) Skirt, Side Brush	1
	36	41178	(000000-) Washer-Flt .25 Fender Pltd	6
	37	72968	(000000-) Rivet, Plastic .250X.898	6
	38	32491	(000000-) Washer, Flat, 0.31, Std	10
	39	08709	(000000-) Nut, Hex, Lock, M8 X 1.25, NI	6
	40	06415	(000000-) Screw, Flt, M6 X 1.0 X 25, 10.9	8
	41	32490	(000000-) Washer, Flat, 0.25 Std	14
	42	08708	(000000-) Nut, Hex, Lock, M6 X 1.0, NI	11
	43	32492	(000000-) Washer, Flat, 0.38 Std	4
	44	41430	(000000-) Nut, Hex, Lock, M10 X 1.5, NI	6

Fig. 25 - Hopper Cover and Bumper Group

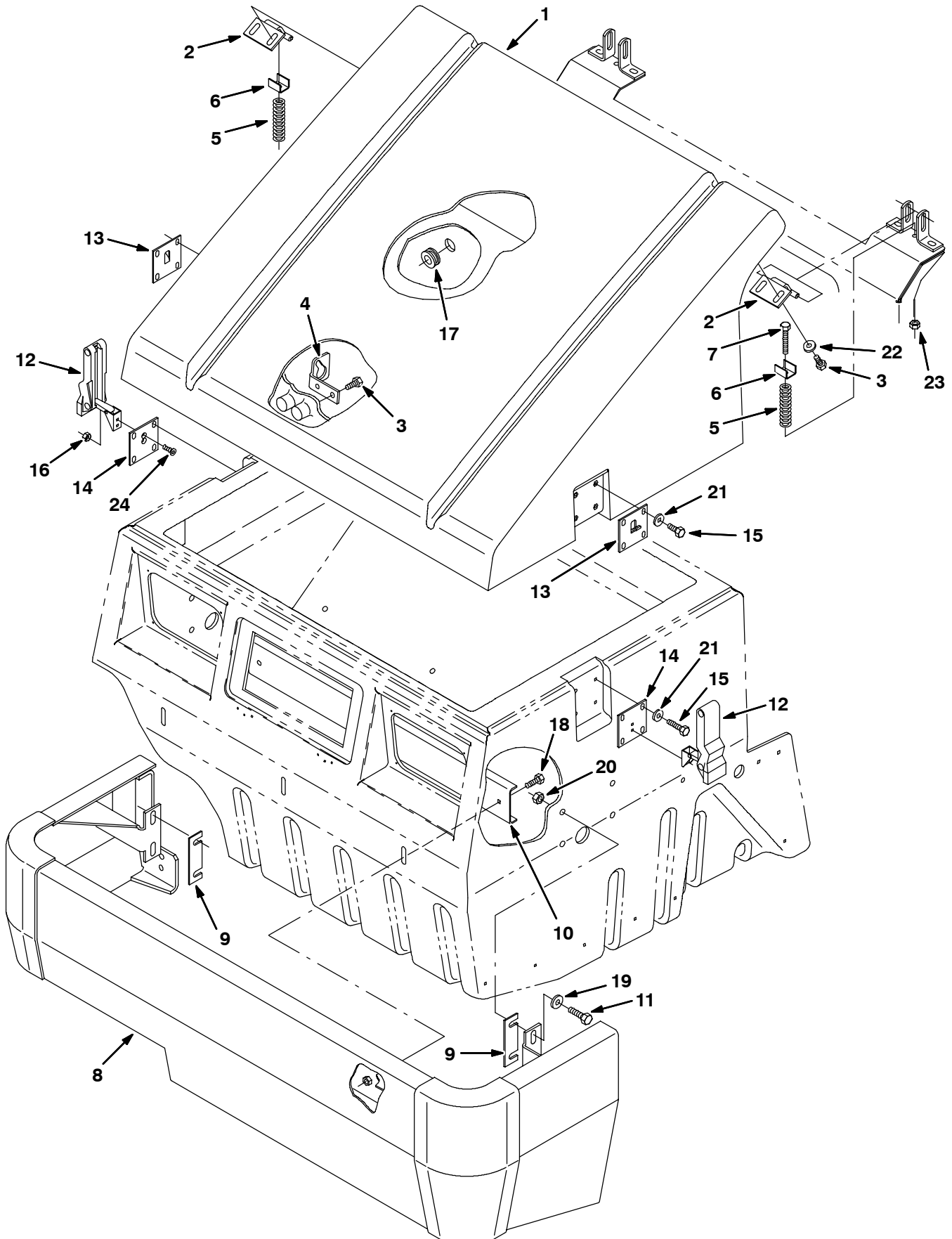


Fig. 25 - Hopper Cover and Bumper Group

Ref.	Part No.	Serial Number	Description	Qty.
1	360026	(000000-) Cover, Hopper	1
2	360332	(000000-) Bracket Wldt, Hinge	2
3	15675	(000000-) Scr Hexssm 8X1.25 16	6
4	360428	(000000-) Bracket, Support, Cover	1
5	360608	(000000-) Spring, Comp, .72 Od X 3.25 L	2
6	361054	(000000-) Bracket, Clip	2
7	222504	(000000-) Scr Hexssm 8X1.25 55	2
8	360436	(000000-) Bumper Wldt, Front	1
9	360889	(000000-) Shim, Front Bumper	5
10	360602	(000000-) Plate, Support, Bumper	1
11	361333	(000000-) Scr Hexssm10X1.5 40	4
12	360824	(000000-) Latch, Hopper	2
13	360941	(000000-) Plate, Keeper	2
14	360610	(000000-) Plate, Latch	2
15	09744	(000000-) Scr Hexssm 6X1.0 12	16
16	06549	(000000-) Nut, Hex, Lock, M5 X 0.80, NI	4
17	10632-18	(000000-) Grommet,Rbr,0.69ld,For .25Matl	1
18	39277	(000000-) Screw, Hex, M8 X 1.25 X 25, 8.8	3
19	32492	(000000-) Washer, Flat, 0.38, Std	4
20	41430	(000000-) Nut, Hex, Lock, M10 X 1.5, NI	4
21	32490	(000000-) Washer, Flat, 0.25, Std	16
22	32491	(000000-) Washer, Flat, 0.31, Std	4
23	08709	(000000-) Nut, Hex, Lock, M8 X 1.25, NI	2
24	360826	(000000-) Screw, Flt, Soc, M5 X 0.80 X 12, 10.9	4

Fig. 26 - Hopper Dump Door Group

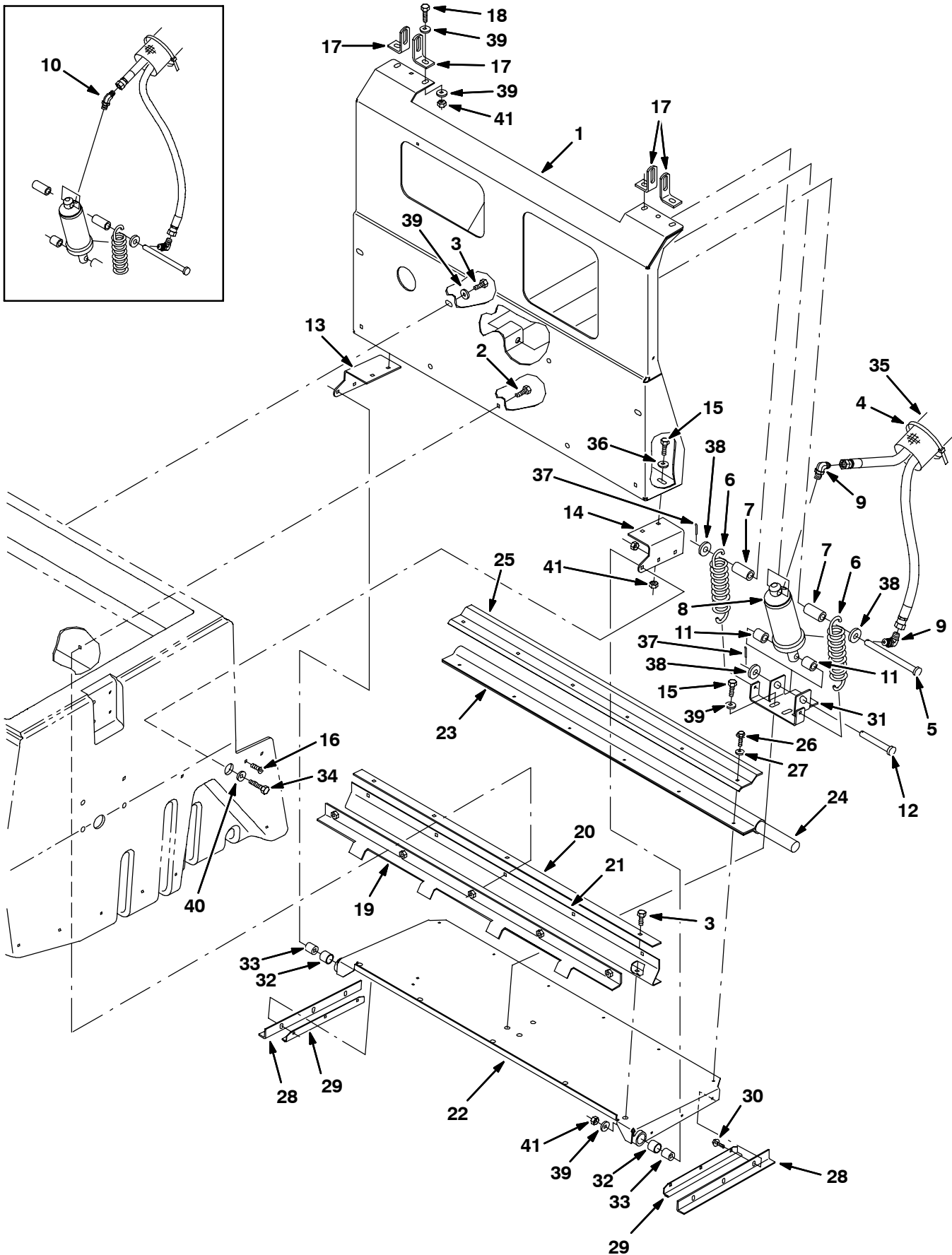


Fig. 26 - Hopper Dump Door Group

Ref.	Part No.	Serial Number	Description	Qty.
1	360185	(000000-) Plate Wldt, Back, Hopper	1
2	12273	(000000-) Scr-Hexssm 8X1.25 20 Nynloc	5
3	15675	(000000-) Scr Hexssm 8X1.25	9
4	49266	(000000-) Tie, Cable 1.75D Max 7.50Lg	2
5	51225-1	(000000-) Pin,Clevis,0.50 Dia.X 6.00 Lg	1
6	360606	(000000-) Spring, Tension	2
7	360848	(000000-) Spacer, .56 Id X 1.82L	2
8	1038176	(000000-) Cylinder, Hyd, 2.0b 08.0l 04.00strk 2500	1
9	77097	(000000-) Ftg-Hyd E90 Jm04/Om04	2
10	34359	(000000-003385) Ftg-Hyd E45 Jm04/Om04	1
11	360427	(000000-) Spacer, Mtg, Cyl	2
12	06474A	(000000-) Pin,Clevis,0.50 Dia.X 3.50 Lg	1
13	360434	(000000-) Bracket, Mtg, Back Plate, Rh	1
14	360435	(000000-) Bracket,Mtg, Back Plate, Lh	1
15	09740	(000000-) Scr Hexssm 8X1.25	7
16	79246	(000000-) Screw-Flat M 8X1.25	4
17	360333	(000000-) Hinge, Leaf	4
18	09010	(000000-003385) Scr Hexssm 8X1.25 25	4
18	09740	(003386-) Screw, Hex, M8 X 1.25 X 20, Ss	4
19	360337	(000000-) Strip Wldt, Door Seal	1
20	360338	(000000-) Strip, Retainer	1
21	360336	(000000-) Seal, Dump Door, Top	1
22	360421	(000000-) Door Wldt, Dump	1
23	360603	(000000-) Seal Wrap, Dump Door	1
24	87689	(000000-) Sponge Cord	1
25	360340	(000000-) Strip, Retainer, Dump Door	1
26	12459	(000000-003385) Scr-Hxfmgm 6X1.0 20 Pltd	6
26	361339	(003386-) Screw, Hex, M6 X 1.0 X 16, Fmg	6
27	01684	(000000-) Washer Flt .25 Ss	6
28	360844	(000000-) Seal, Dump Door, Side	2
29	360424	(000000-) Strip, Retainer, Door, Side	2
30	74455	(000000-) Scr-Hx Fmgm 6X1.0 12	6
31	360888	(000000-) Bracket, Cylinder, Mtg	1
32	64379	(000000-) Bearing, Journal	2
33	87104	(000000-) Bushing, Door Pivot	2
34	09026	(000000-) Scr Hexssm 8X1.25 40	2
35	82833	(000000-) Sleeve-Nyln #20 35.0L	1
36	01685	(000000-) Washer, Flat, 0.38b 0.88d .08, Ss	4
37	08182	(000000-) Pin, Cotter, .125 X 1.00	2
38	32486	(000000-) Washer Flat,0.50,Sae	3
39	32491	(000000-) Washer, Flat, 0.31, Std	18
40	32492	(000000-) Washer, Flat, 0.38, Std	2
41	08709	(000000-) Nut, Hex, Lock, M8 X 1.25, NI	12

Fig. 27 - Hopper Filter Box Group (000000-005315)

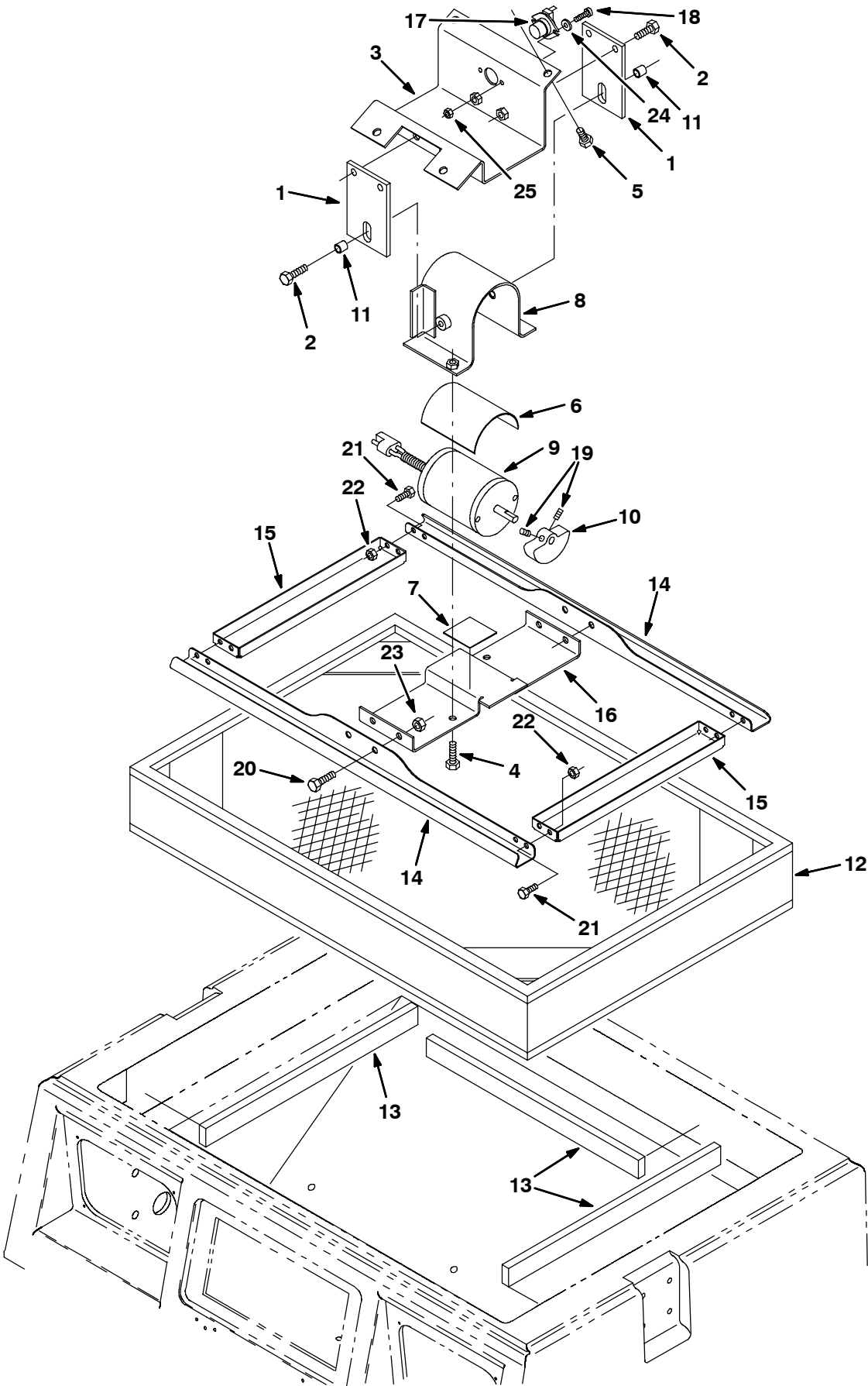


Fig. 27 - Hopper Filter Box Group (000000-005315)

Ref.	Part No.	Serial Number	Description	Qty.
1	360808	(000000-005315)	Plate, Mtg, Shaker	2
2	12333	(000000-005315)	Scr-Hexssm 8X1.25 25 Nylnloc	6
3	360809	(000000-005315)	Bracket, Support, Shaker	1
4	12273	(000000-005315)	Scr-Hexssm 8X1.25 20 Nylnloc	2
5	15675	(000000-005315)	Scr Hexssm 8X1.25	4
6	36658	(000000-005315)	Bar-Flt .06T 4.00W 5.00L,Rbr	1
7	36661	(000000-005315)	Bar-Flt .06T 1.00W 4.00L,Rbr	1
8	360820	(000000-005315)	Strap Wldt, Motor	1
9	54121	(000000-005315)	Motor,Elec Shaker 12V	1
10	1049243	(000000-005315)	Weight, Eccentric	1
11	360957	(000000-005315)	Sleeve, .375B .50D .50 Stlzn	2
12	1037207	(000000-005315)	Filter, Panl, Dust, 3.6 X 20.0 X 30.0	1
12	370153	(000000-005315)	Syn. Filter Pkg, Panel, 61Pleats	1
13	360199	(000000-005315)	Seal, Spacer, Filter	3
14	360952	(000000-005315)	Plate, Shaker, Bar	2
15	360949	(000000-005315)	Plate, Shaker, Side	2
16	360955	(000000-005315)	Plate, Motor, Shaker	1
17	87546	(000000-005315)	Thermostat, Spst Switch	1
18	49697	(000000-005315)	Screw, Pan, M4 X 0.7 X 10, Ss	2
19	20634	(000000-005315)	Scr-Set 10-24X0.25 Nylon Loc	2
20	49826	(000000-005315)	Scr-Hexssm 8X1.25 16 Nylon Loc	4
21	87308	(000000-005315)	Screw, Hex, M6 X 1.0 X 12, 8.8	8
22	08708	(000000-005315)	Nut, Hex, Lock, M6 X 1.0, NI	8
23	39311	(000000-005315)	Nut, Hex, Std, M8 X 1.25	4
24	19065	(000000-005315)	Washer, Flat, #08	2
25	02850	(000000-005315)	Nut, Hex, Lock, M4 X 0.70, NI	2

Fig. 28 - Hopper Filter Box Group (005316-)

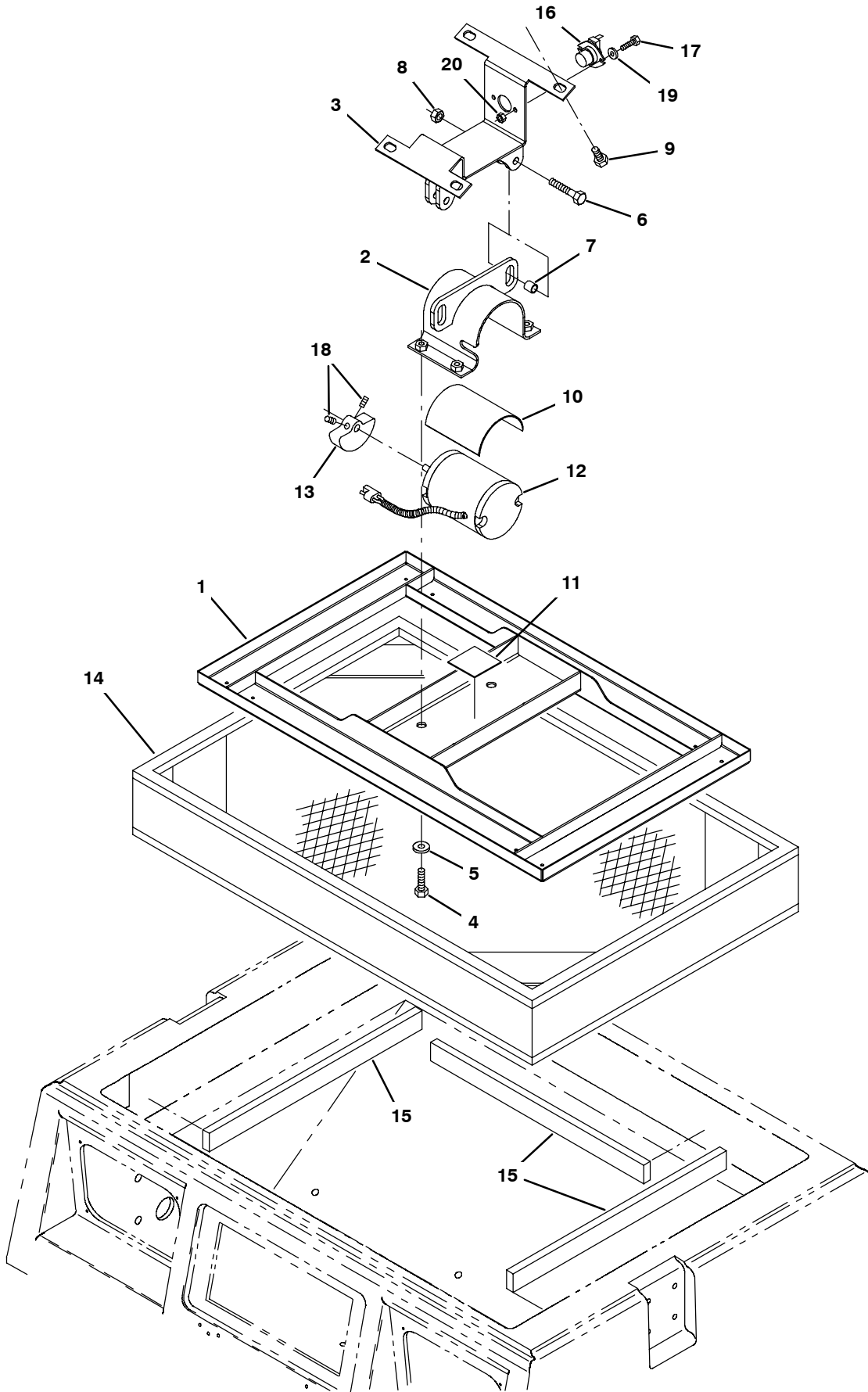


Fig. 28 - Hopper Filter Box Group (005316-)

Ref.	Part No.	Serial Number	Description	Qty.
1	1041444	(005316-) Shaker Wldt, Frame	1
2	1041551	(005316-) Strap Wldt, Shakr	1
3	1041814	(005316-) Bracket Wldt, Sppt, Shakr	1
4	12273	(005316-) Screw, Hex, M8 X 1.25 X 20, NI, Ss	4
5	32491	(005316-) Washer, Flat, 0.31, Std	4
6	09026	(005316-) Screw, Hex, M8 X 1.25 X 40, Ss	2
7	360957	(005316-) Tube, 0.38id 0.50od 00.5l, Stl [H/T]H/T]	2
8	08709	(005316-) Nut, Hex, Lock, M8 X 1.25, NI	2
9	15675	(005316-) Screw, Hex, M8 X 1.25 X 16, Ss	4
10	36658	(005316-) Strip, Rbr, 0.06 04.00w 05.0l [Neo/60]	1
11	36661	(005316-) Gasket, Neo, .06, 02.00w 02.00l, Adh	1
12	54121	(005316-) Motor, Ele, 12vdc 1375rpm 0.08hp 08.4a	1
13	1049243	(005316-) Weight, Eccentric	1
14	1037207	(005316-) Filter, Panl, Dust, 3.6 X 20.0 X 30.0	1
14	1041616	(005316-) Filter, Panl, Syn, 4.2 X 20.0 X 30.0	1
15	360199	(005316-) Seal, Rbr, Clsd, 0.50, 1.2w 16.0l Adh	3
16	87546	(005316-) Sensor, Thermal, 140deg, No, Spst	1
17	49697	(005316-) Screw, Pan, Phl, M4 X 0.70 X 10, Ss	2
18	20634	(005316-) Screw, Set, Soc, 10-24 X 0.25, NI	2
19	19065	(005316-) Washer, Flat, 08	2
20	02850	(005316-) Nut, Hex, Lock, M4 X 0.70, NI	2

Fig. 29 - Hydraulic Reservoir Group

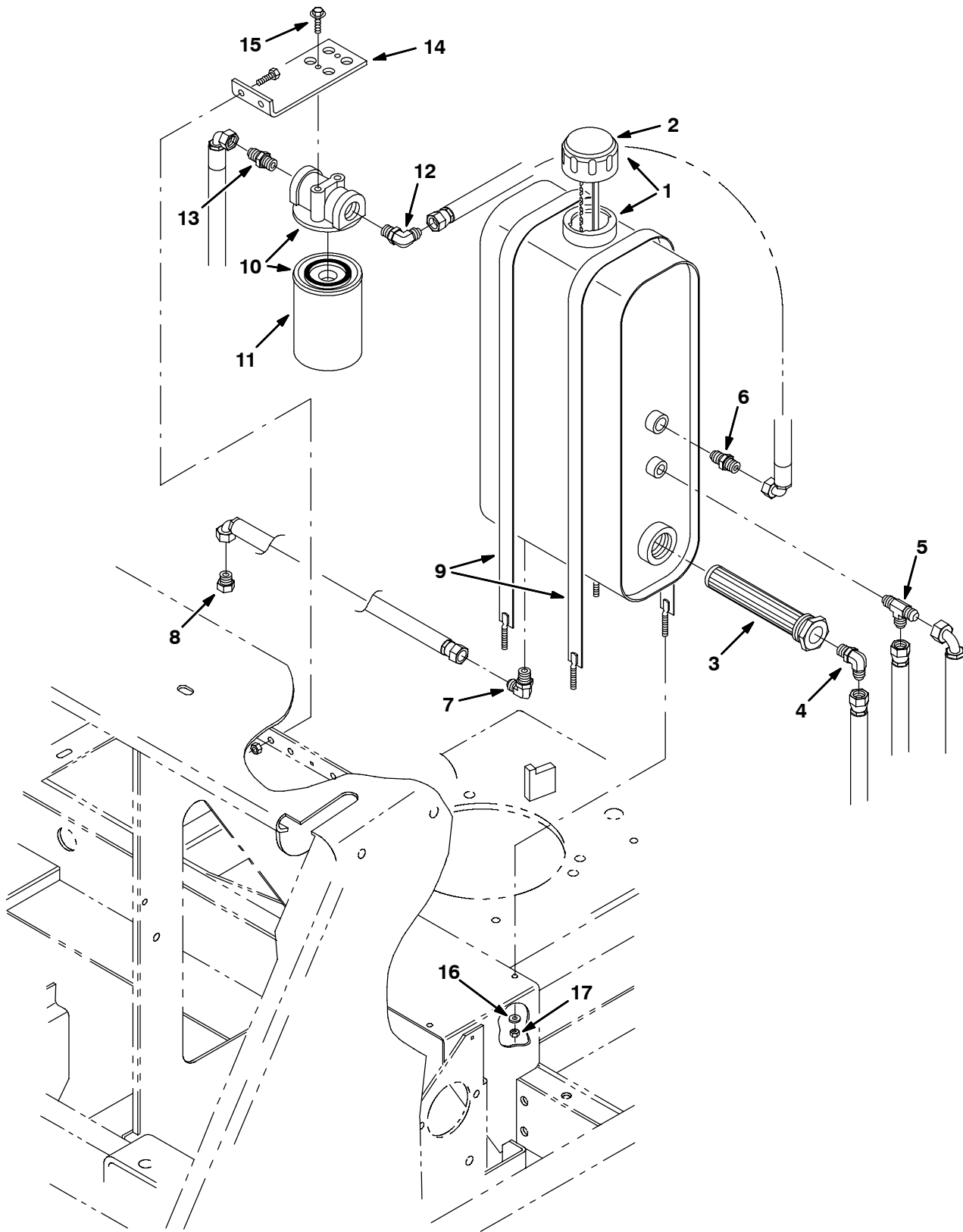


Fig. 29 - Hydraulic Reservoir Group

	Ref.	Part No.	Serial Number	Description	Qty.
▽	1	361271	(000000-) Reservoir Assy, Ev W/Label	1
▲	2	360991	(000000-) Breather, Hyd Cap 5.2Ds Chain	1
▲		70006	(000000-) Gasket, Hyd Cap	1
	3	361023	(000000-) Strainer, Hyd 10Gpm 100Mesh	1
	4	46481	(000000-) Ftg-Hyd E90 Jm12/Om12	1
	5	76316	(000000-) Ftg-Hyd Tee Jm06Jmom	1
	6	56692	(000000-) Ftg-Hyd Str Jm08/Om10	1
	7	56821	(000000-) Ftg-Hyd E90 Jm08/Om10	1
	8	16376	(000000-) Ftg-Hyd Plg Jm08	1
	9	360097	(000000-) Strap Wldt, Hyd Tank	2
▽	10	55619	(000000-) Filter Assy, Spin-On 10Micron	1
▲	11	55740	(000000-) Filter, Hydraulic Oil, Spin On	1
	12	47655	(000000-) Ftg-Hyd E90 Jm08/Om12	1
	13	42227	(000000-) Ftg-Hyd Str Jm08/Om12	1
	14	360887	(000000-) Bracket	1
	15	16949	(000000-) Scr-Hex .25-20X0.75 Sems Pltd	2
	16	32490	(000000-) Washer, Flat, 0.25, Std	4
	17	32981	(000000-) Nut, Hex, Lock, .25-20, NI	4

Fig. 30 - Hydraulic Control Valve Group

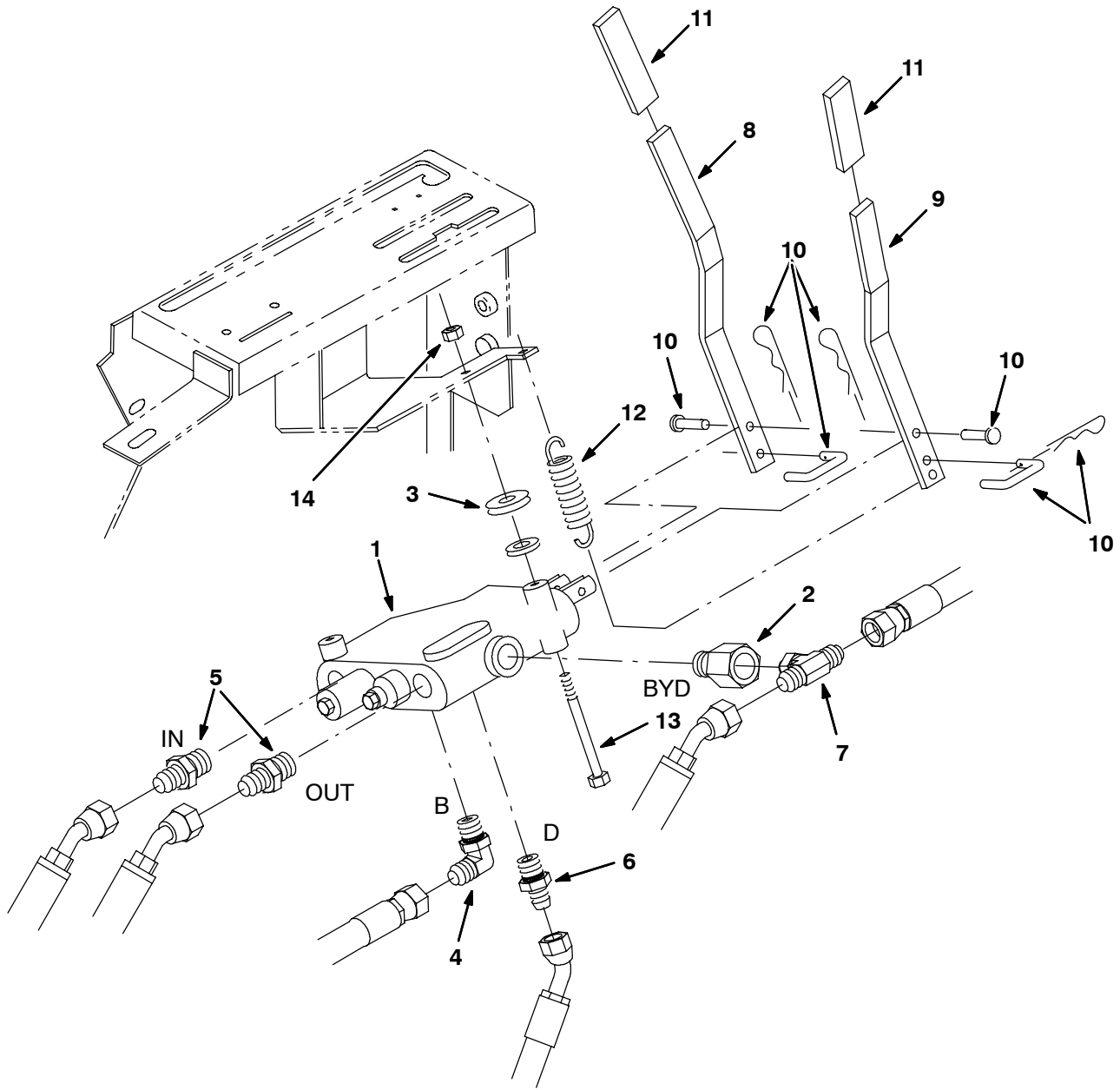
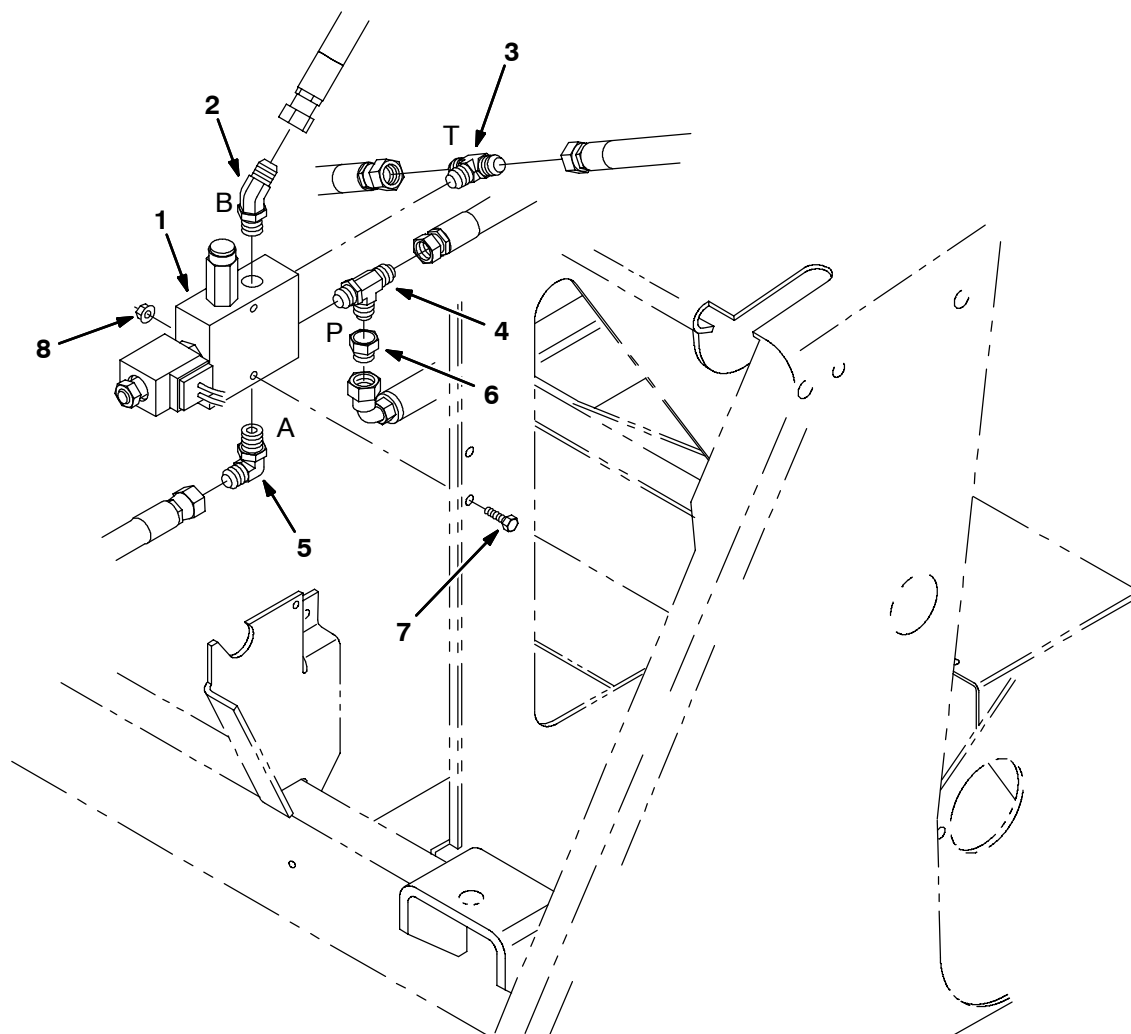


Fig. 30 - Hydraulic Control Valve Group

Ref.	Part No.	Serial Number	Description	Qty.
1	361012	(000000-) Valve, Hyd Control Man (See Breakdowns)	1
2	361028	(000000-) Plug Assy, Byd Eng	1
3	63416	(000000-) Washer, .310B .88D .12Rbr	2
4	47638	(000000-) Ftg-Hyd E90 Jm04/Om06	1
5	52402	(000000-) Ftg-Hyd Str Jm06/Om08	2
6	55685	(000000-) Ftg-Hyd Str Jm04/Om06	1
7	67683	(000000-) Ftg-Hyd Tee Jm06Omjm	1
8	360062	(000000-) Handle, Control, Valve	1
9	360063	(000000-) Handle, Control, Valve	1
10	361299	(000000-) Link Assy, Valve Handle	1
11	360467	(000000-) Grip, Vinyl .250 X .750 X 4.00	2
12	59870	(000000-) Spring, Tens, .50Dx.05Wire2.5L	1
13	06949	(000000-) Screw, Hex, M6 X 1.00 X 50, 8.8	2
14	08708	(000000-) Nut, Hex, Lock, M6 X 1.00, NI	2

Fig. 31 - Hydraulic Solenoid Valve Group



350392 - E

Ref.	Part No.	Serial Number	Description	Qty.
1	361029	(000000-005622)	Valve, Hyd Cntrl Sol (See Breakdowns)	1
1	1049638	(005623-	Valve, Cntrl, Hyd, Solenoid, 12vdc 06gpm (See Breakdowns)	1
2	47522	(000000-	Ftg-Hyd E45 Jm06/Om06	1
3	67683	(000000-	Ftg-Hyd Tee Jm06Omjm	1
4	76316	(000000-	Ftg-Hyd Tee Jm06Jmom	1
5	56820	(000000-	Ftg-Hyd E90 Jm06/Om06	1
6	47752	(000000-	Ftg-Hyd Str Jm04/Jf06	1
7	06949	(000000-	Screw, Hex, M6 X 1.00 X 50, 8.8	2
8	07790	(000000-	Nut, Hex, Flng, M6 X 1.00	2

Fig. 32 - Hydraulic Schematic

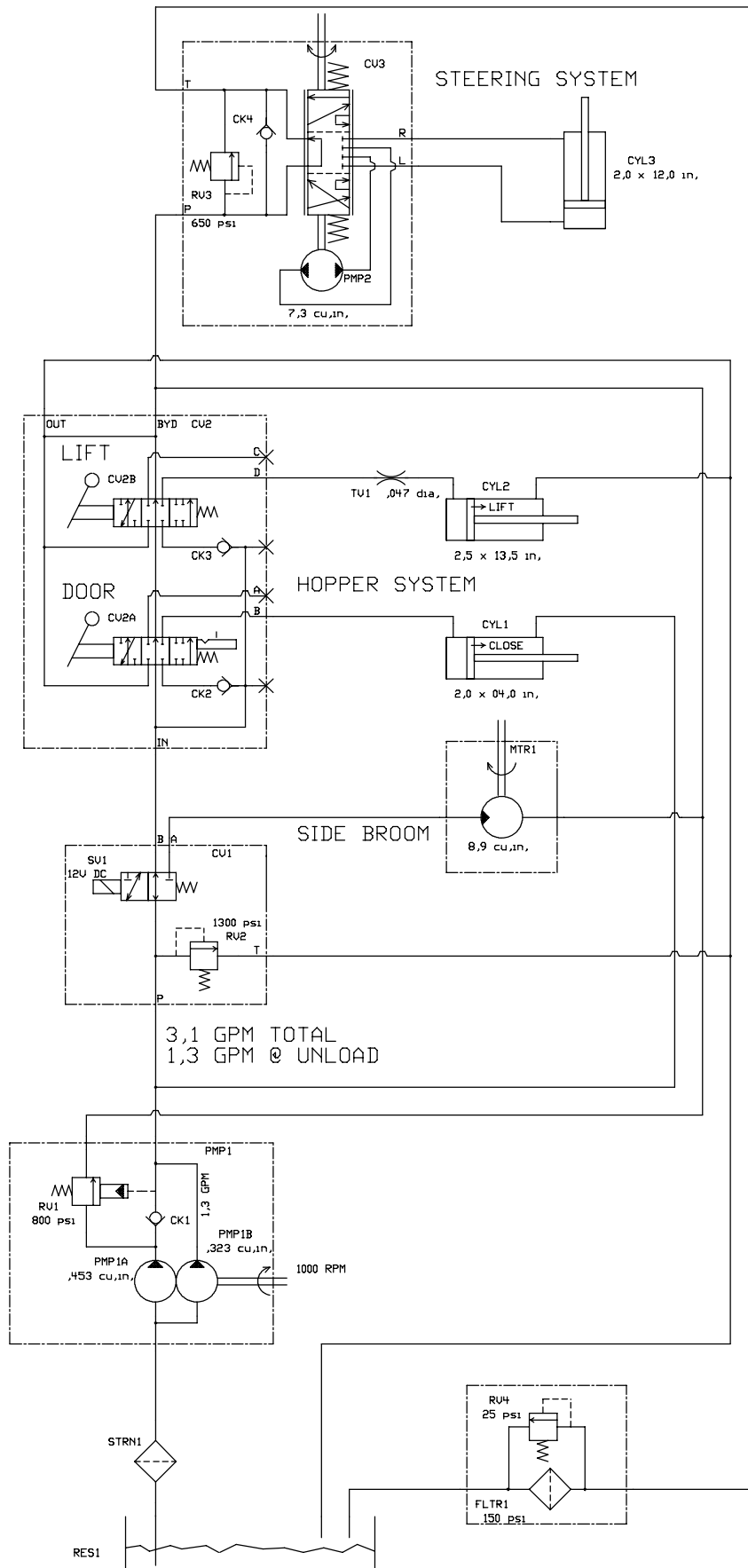


Fig. 33 - Hydraulic Hose Group

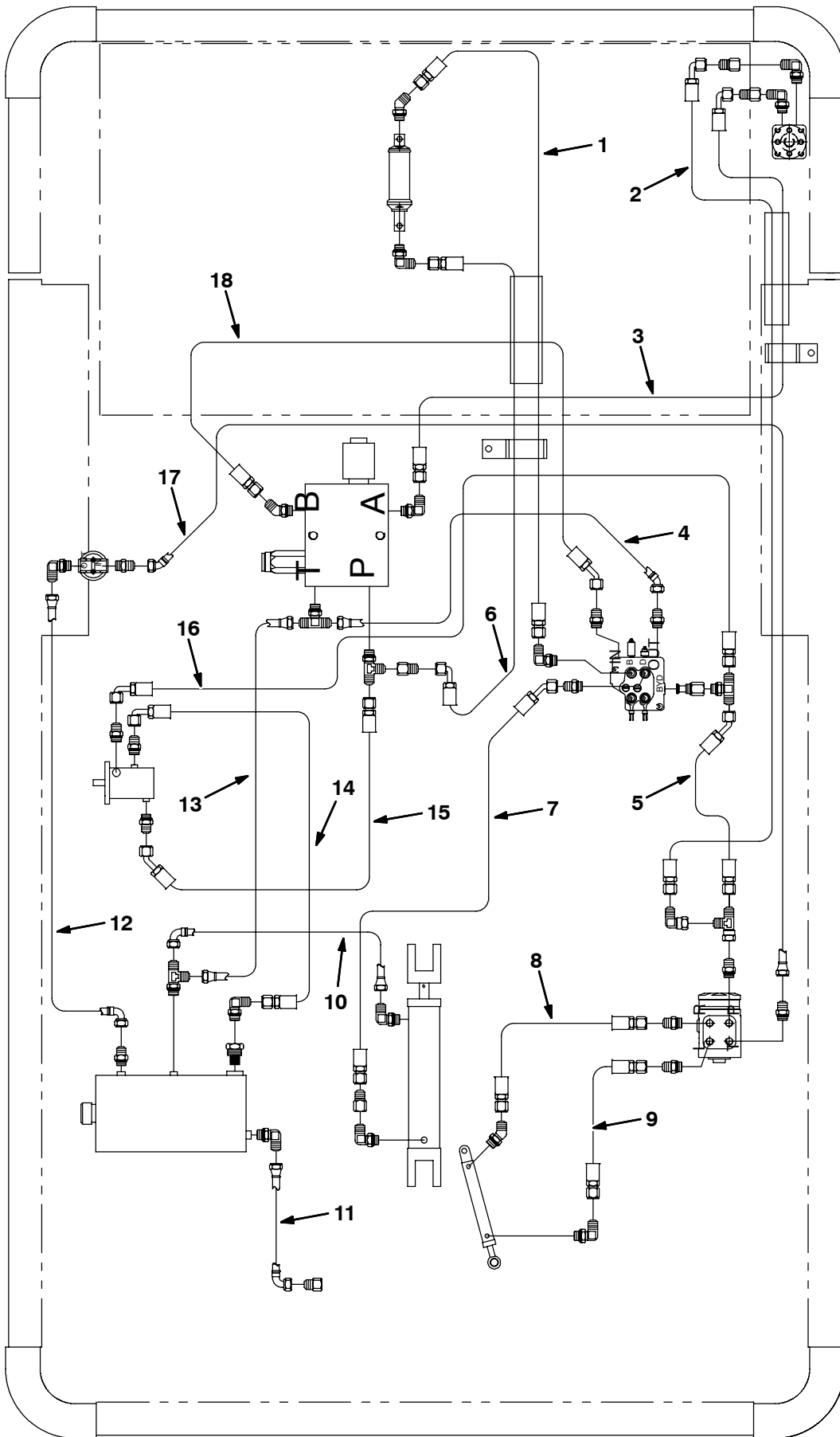


Fig. 33 - Hydraulic Hose Group

Ref.	Part No.	Serial Number	Description	Qty.
1	361048	(000000-) Hose-Hyd Med04	1
2	31597	(000000-) Hose-Hyd Med06 Jf/J9	1
3	02469	(000000-) Hose Hyd Med 06 Jf/J9	1
4	361031	(000000-) Hose-Hyd Low06	1
5	361045	(000000-) Hose-Hyd Med06	1
6	82819	(000000-) Hose-Hyd Med04 Jf/J9	1
7	02361	(000000-004890) Hose-Hyd Med04 Jf/J4	1
7	57972	(004891-) Hose, Hyd, Med04, Jf04e45/Jf04str, 018.0	1
8	71556	(000000-) Hose-Hyd Med06	1
9	361053	(000000-) Hose-Hyd Med06	1
10	31603	(000000-) Hose-Hyd Low06 Jf/J9	1
11	57974	(000000-) Hose-Hyd Low 08	1
12	78811	(000000-) Hose, Hyd Low08	1
13	76762	(000000-) Hose-Hyd Low06 Jf/Jf	1
14	361038	(000000-) Hose-Hyd Suc12	1
15	361039	(000000-) Hose-Hyd Med06	1
16	71552	(000000-) Hose-Hyd	1
17	361032	(000000-) Hose-Hyd Low08	1
18	361086	(000000-) Hose-Hyd Med06	1

Fig. 34 - Electrical Control Box Group

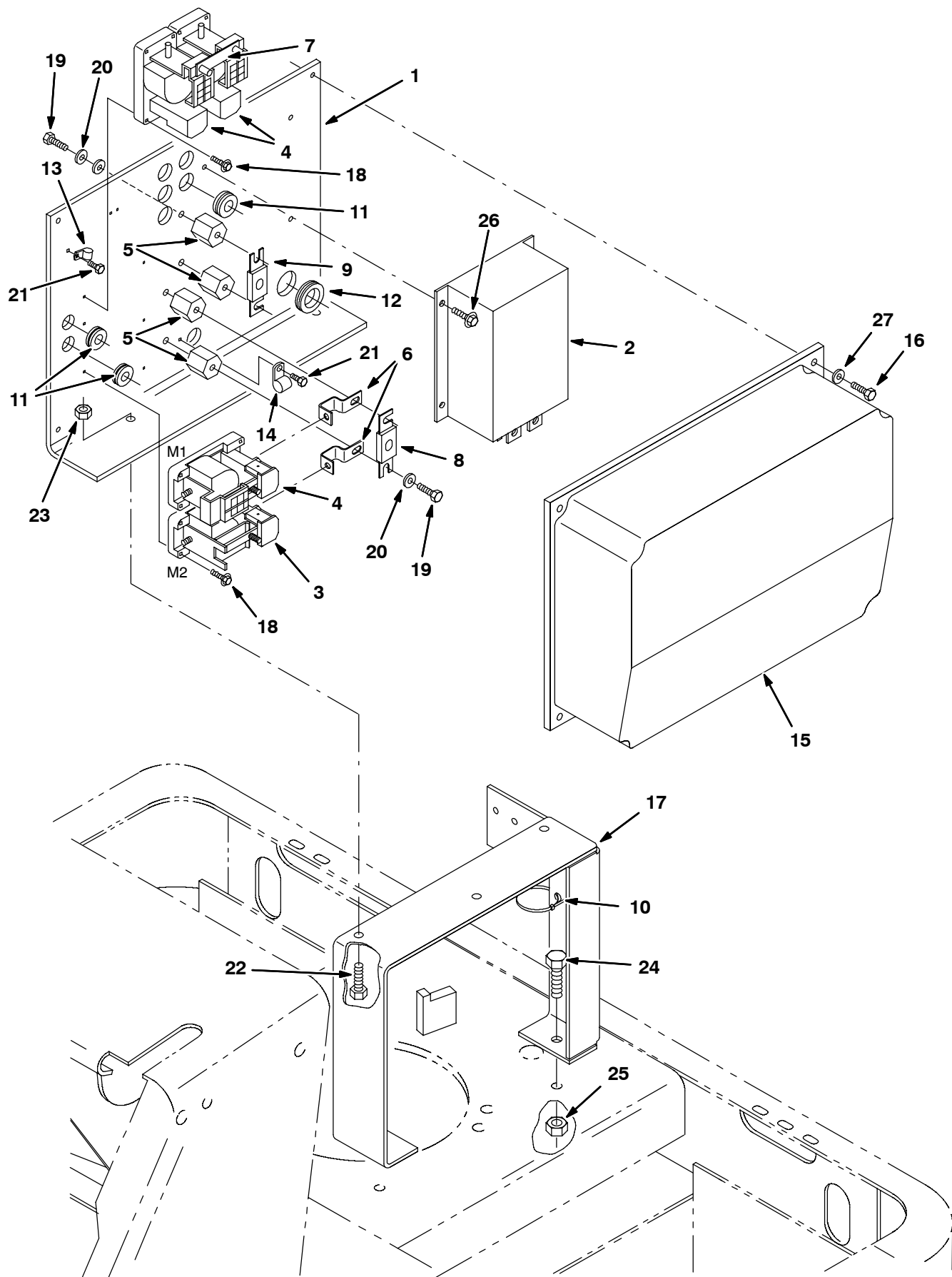


Fig. 34 - Electrical Control Box Group

Ref.	Part No.	Serial Number	Description	Qty.
1	361277	(000000-) Plate, Electrical W/Label	1
2	15008	(000000-) Controller 36 Vdc	1
3	86375	(000000-) Contactor, 36 Volt/Spno	1
4	87482	(000000-) Contactor, 36 Volt/Spdt	3
5	76062	(000000-) Insulator, Panel & Switchboard	4
6	87507	(000000-) Buss Bar, Fuse	2
7	87483	(000000-) Buss Bar, Relay	2
8	86379	(000000-) Fuse, 100 Amp	1
9	87318	(000000-) Fuse, 80 Amp	1
10	49266	(000000-) Tie, Cable 1.75D Max 7.50Lg	3
11	87515	(000000-) Grommet,Rbr,0.50ld,For .25Matl	8
12	10632-18	(000000-) Grommet,Rbr,0.69ld,For .25Matl	1
13	26395-2	(000000-) Clamp-Cable, 0.38Dia 0.38Wth	1
14	26395-1	(000000-) Clamp-Cable, 0.56Dia 0.38Wth	1
15	87258	(000000-) Cover,Elec. Components	1
16	74455	(000000-) Scr-Hex .25-20X1.00 Nylon Loc	4
17	360994	(000000-) Bracket Wldt, Suppt, Ele Panel	1
18	86417	(000000-) Screw, Hex, 06-32 X 0.75, Fmg, PI	8
19	19315	(000000-) Screw, Hex, .25-20 X 0.50, G5	4
20	32982	(000000-) Washer, Lock, Int, 0.25	4
21	32497	(000000-) Screw, Hex, 10-24 X 0.50, Fmg, PI	2
22	16931	(000000-) Screw, Hex, M8 X 1.25 X 20, 8.8	3
23	07791	(000000-) Nut, Hex, FIng, M8 X 1.25	3
24	39283	(000000-) Screw, Hex, M10 X 1.50 X 25, 8.8	2
25	07792	(000000-) Nut, Hex, FIng, M10 X 1.50	2
26	74455	(000000-) Screw, Hex, M6 X 1.00 X 12, Fmg	4
27	32483	(000000-) Washer, Flat, 0.25, Sae	4

Fig. 35 - Electrical Schematic

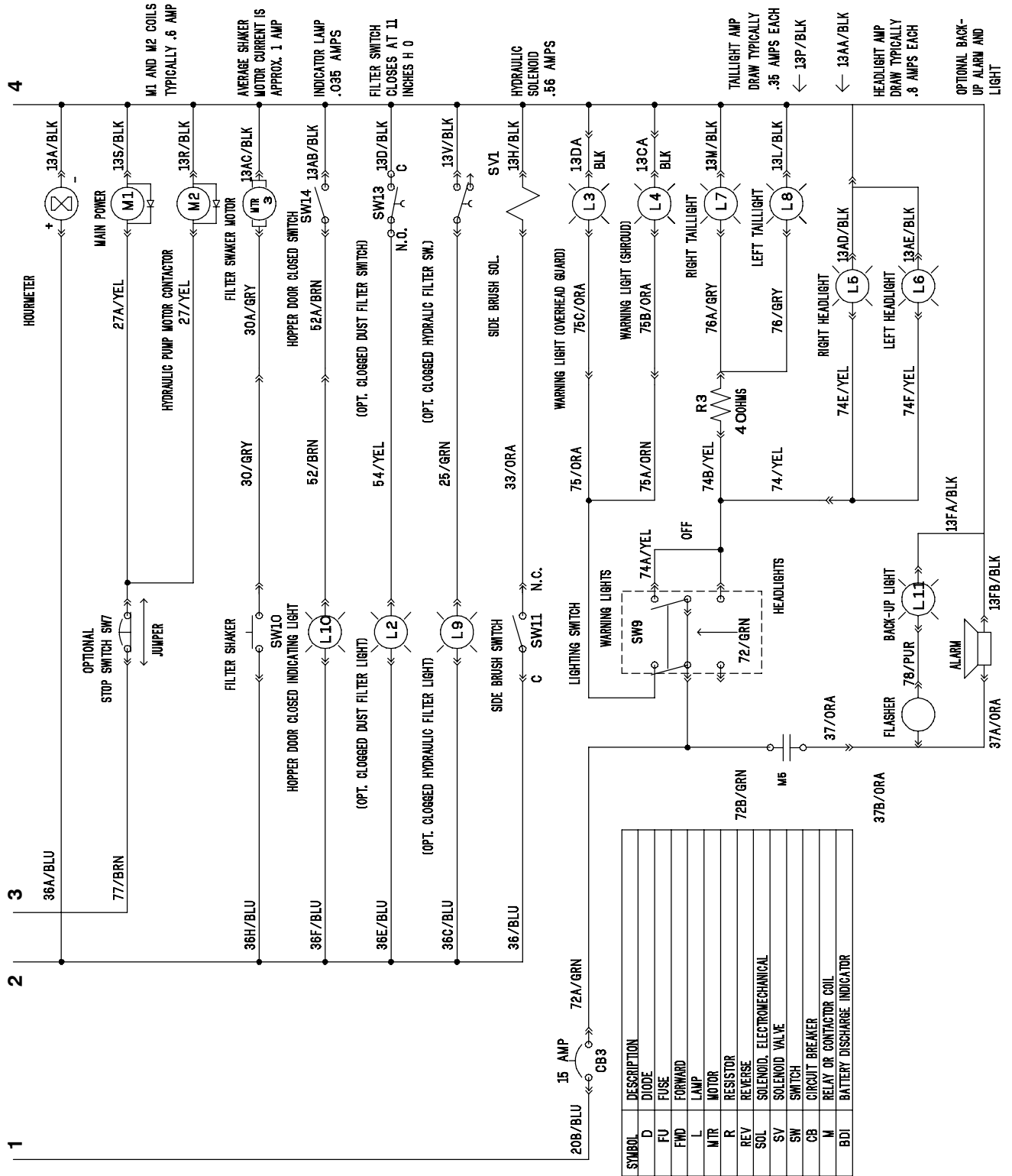


Fig. 36 - Electrical Wire Harness Group

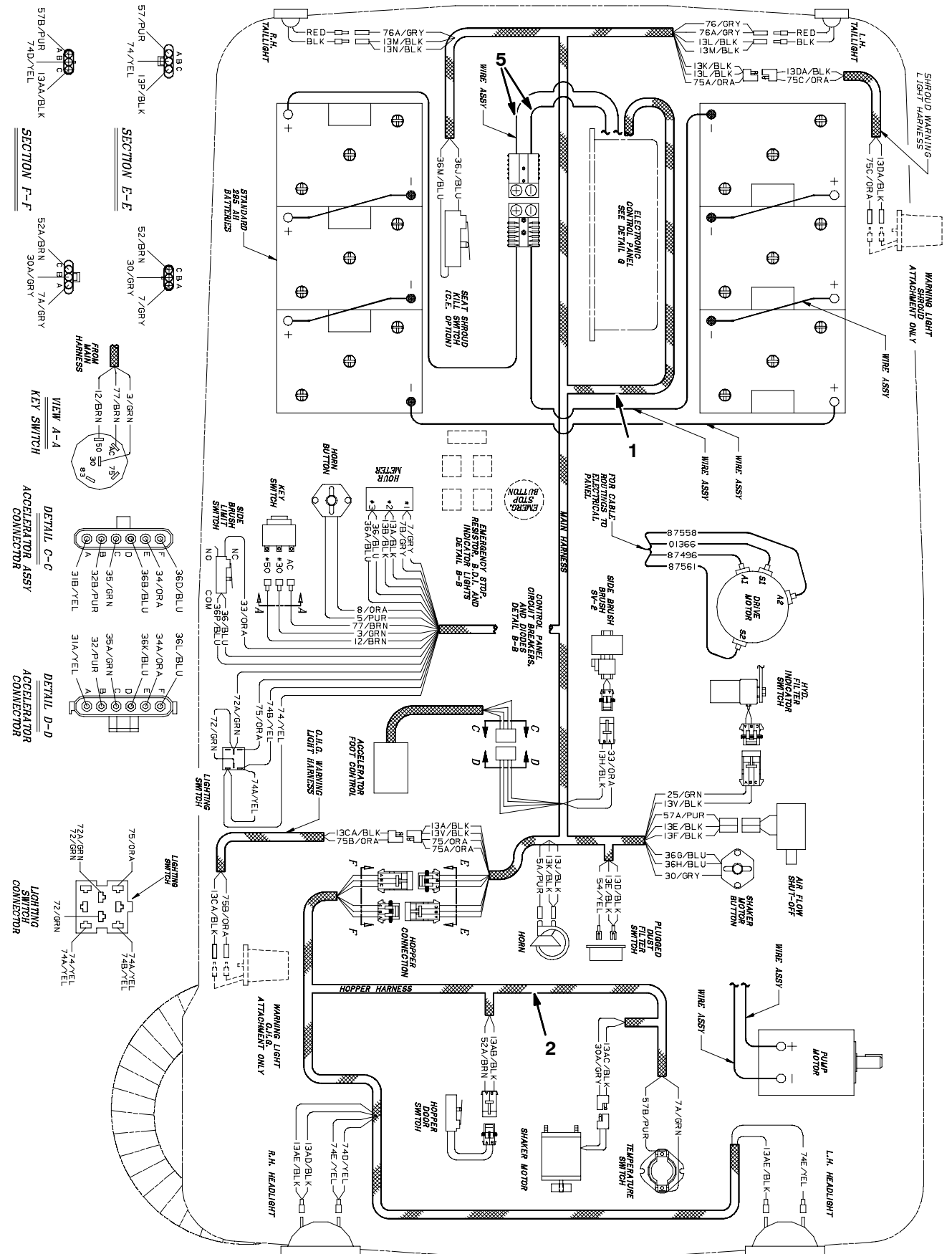


Fig. 36 - Electrical Wire Harness Group

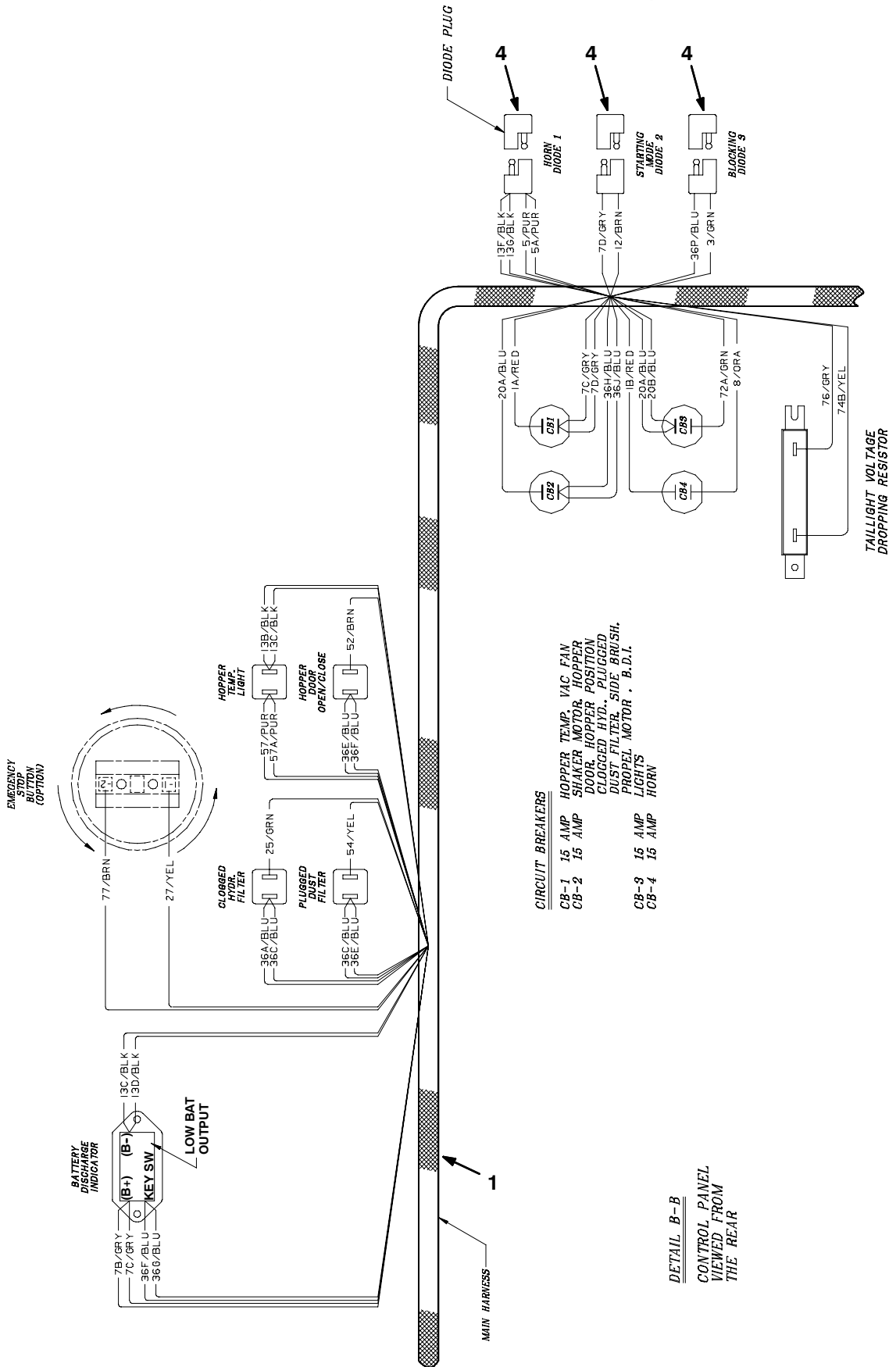


Fig. 36 - Electrical Wire Harnesses Group

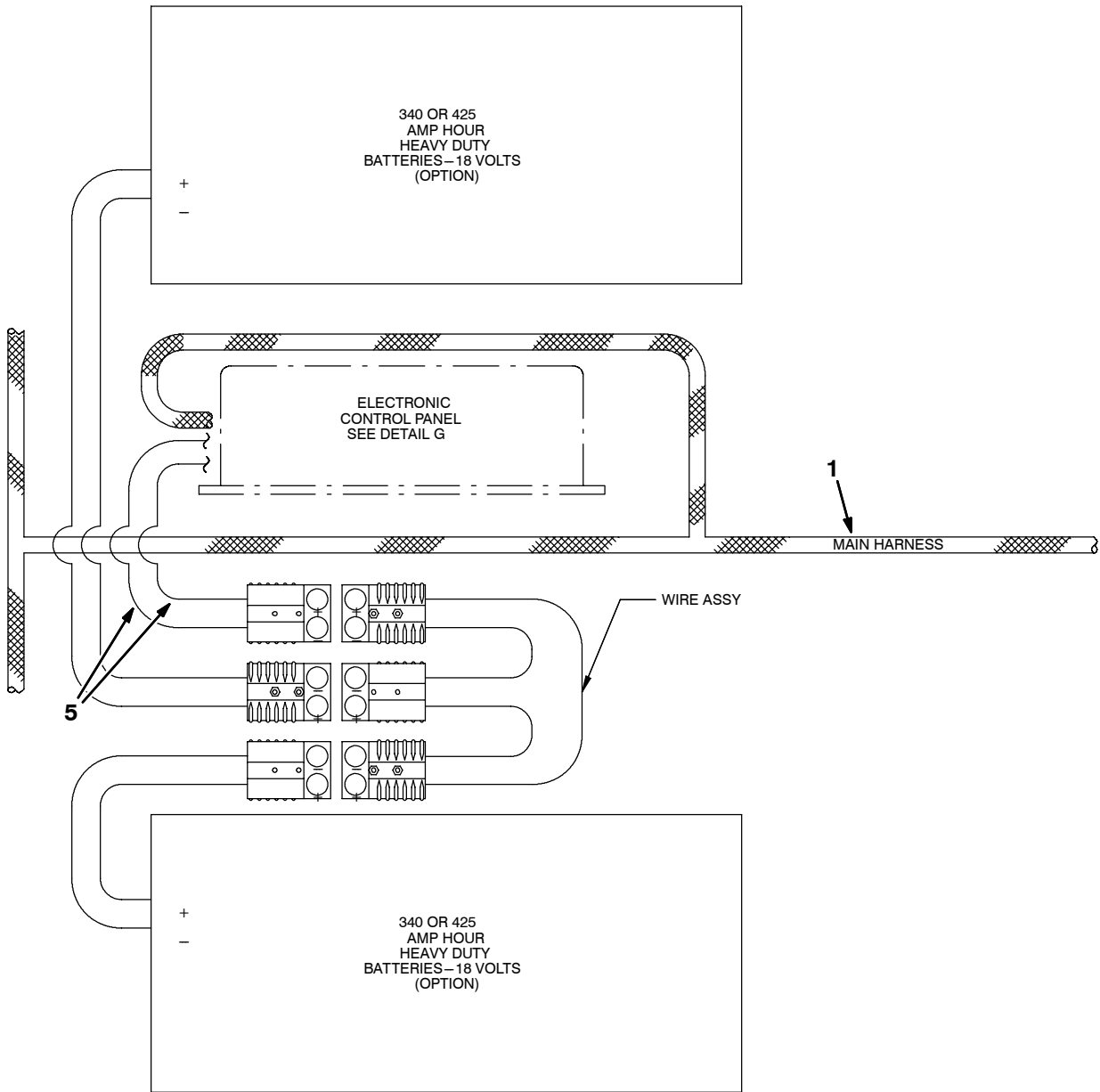


Fig. 36 - Electrical Wire Harness Group

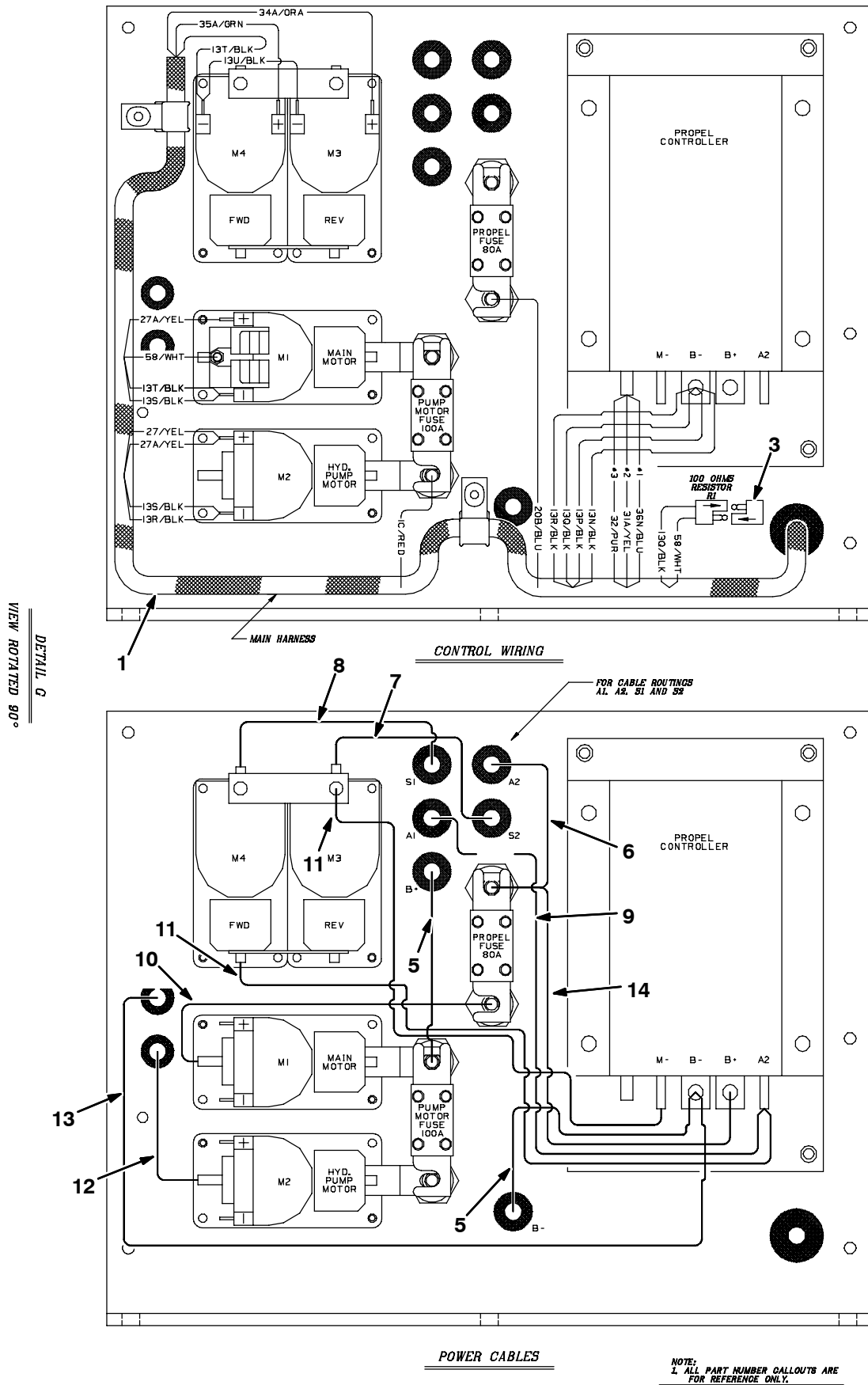
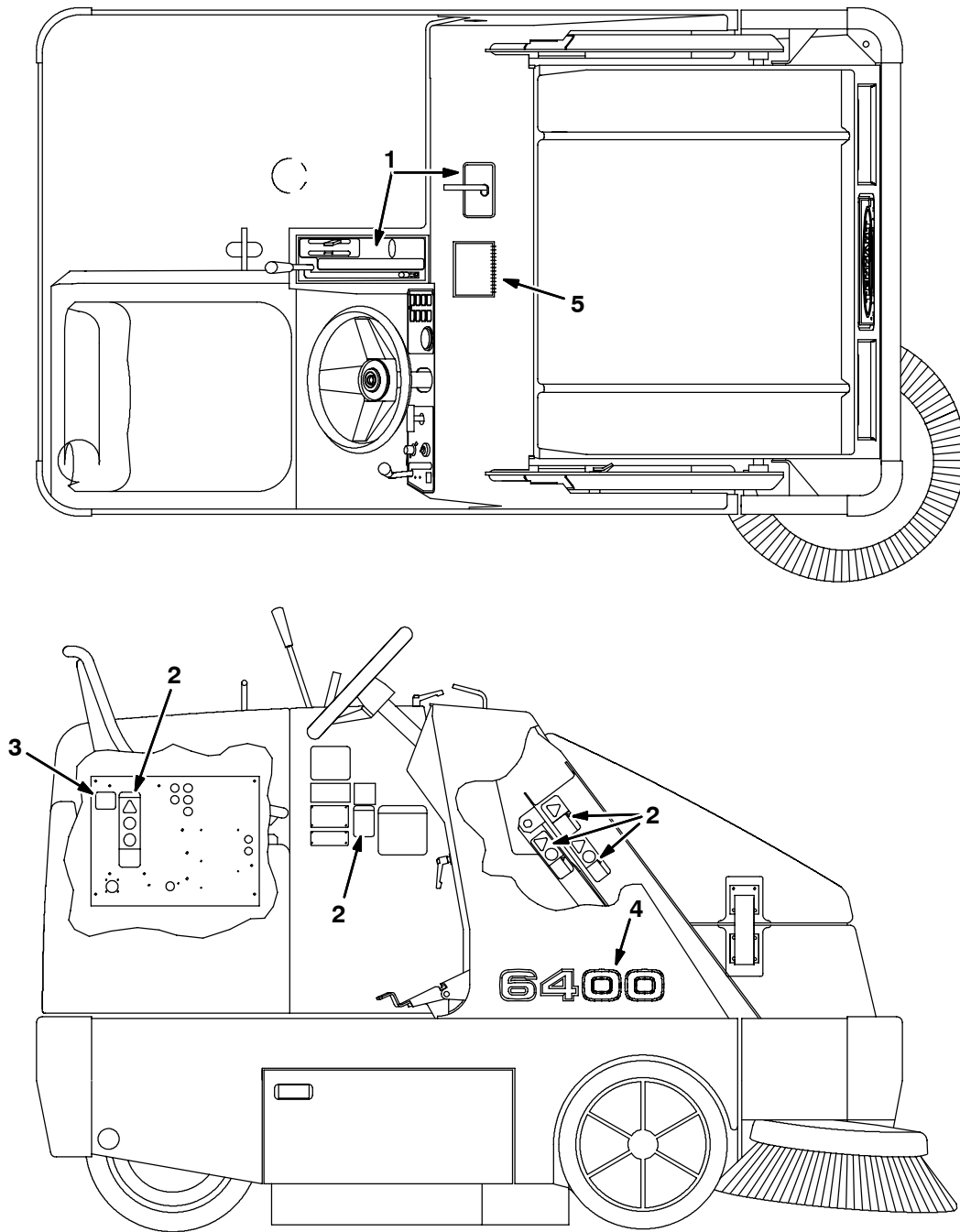


Fig. 36 - Electrical Wire Harnesses Group

Ref.	Part No.	Serial Number	Description	Qty.
1	360513	(000000-) Harness, Main, Batt, Powered	1
2	360503	(000000-) Harness, Hopper	1
3	360516	(000000-) Resistor, Elec, Plug	1
4	222290	(000000-) Diode, Elec, Plug	3
5	15845	(000000-) Harness, Wire, Controller	1
6	87558	(000000-) Wire Assy, 21.0 Lg., 4 Ga	1
7	87561	(000000-) Wire Assy, 22.3 Lg., 4 Ga	1
8	01366	(000000-) Wire Assy-Cable 24.0 Lg., 4 Ga Blk	1
9	87496	(000000-) Wire Assy, 30.0 Lg., 4 Ga	1
10	87564	(000000-) Wire Assy, 7.5 Lg., 4 Ga	1
11	87495	(000000-) Wire Assy, 15.0 Lg., 4 Ga	2
12	360989	(000000-) Wire Assy, Cable-48.0 Lg., 4 Ga Blk	1
13	86398	(000000-) Wire Assy, 60.0 Lg., 4 Ga	1
14	15846	(000000-) Wire Assy, 11.0 Lg., 6 Ga Blk	1

Fig. 37 - Label Group



350354 - E, NA

Ref.	Part No.	Serial Number	Description	Qty.
1	361110	(000000-) Label Set, Operational, Ev	1
2	71519	(000000-) Label Set, Info & Hazard 355E	1
3	361128	(000000-) Label Set, Battery Req	1
4	361107	(000000-) Label, Numerals 6400	1
5	361065	(000000-) Guide, Use And Care, Eu	1

SECTION 3

Contents	Page
Fig. 1 - Revolving Light Kit	3-2
Fig. 2 - Revolving Light Kit, Overhead Guard ...	3-4
Fig. 3 - Back-Up Alarm Kit	3-6
Fig. 4 - Light Kit	3-8
Fig. 5 - Hopper Door Closed Light Kit	3-10
Fig. 6 - Overhead Guard Kit	3-11
Fig. 7 - Severe Environment Indicator Kit	3-12
Fig. 8 - Side Brush Dust Control Kit	3-14
Fig. 9 - Fire Extinguisher Kit	3-16
Fig. 10 - Seat Belt Kit	3-17
Fig. 11 - Deluxe Suspension Seat Group	3-18
Fig. 12 - High Back Seat Group	3-19
Fig. 13 - Vacuum Wand Kit	3-20
Fig. 14 - Battery Group 36V 315Ah Wet	3-22
Fig. 15 - Battery Group 36V 440Ah Wet	3-24
Fig. 16 - Battery Group 36V 340Ah Wet	3-25
Fig. 17 - Battery Charger Group	3-26
Fig. 18 - Non-Marking Tire and Wheel Assembly	3-27
Fig. 19 - High Capacity Dust Control Kit	3-28
Fig. 20 - Documentation Group	3-30

Fig. 1 - Revolving Light Kit

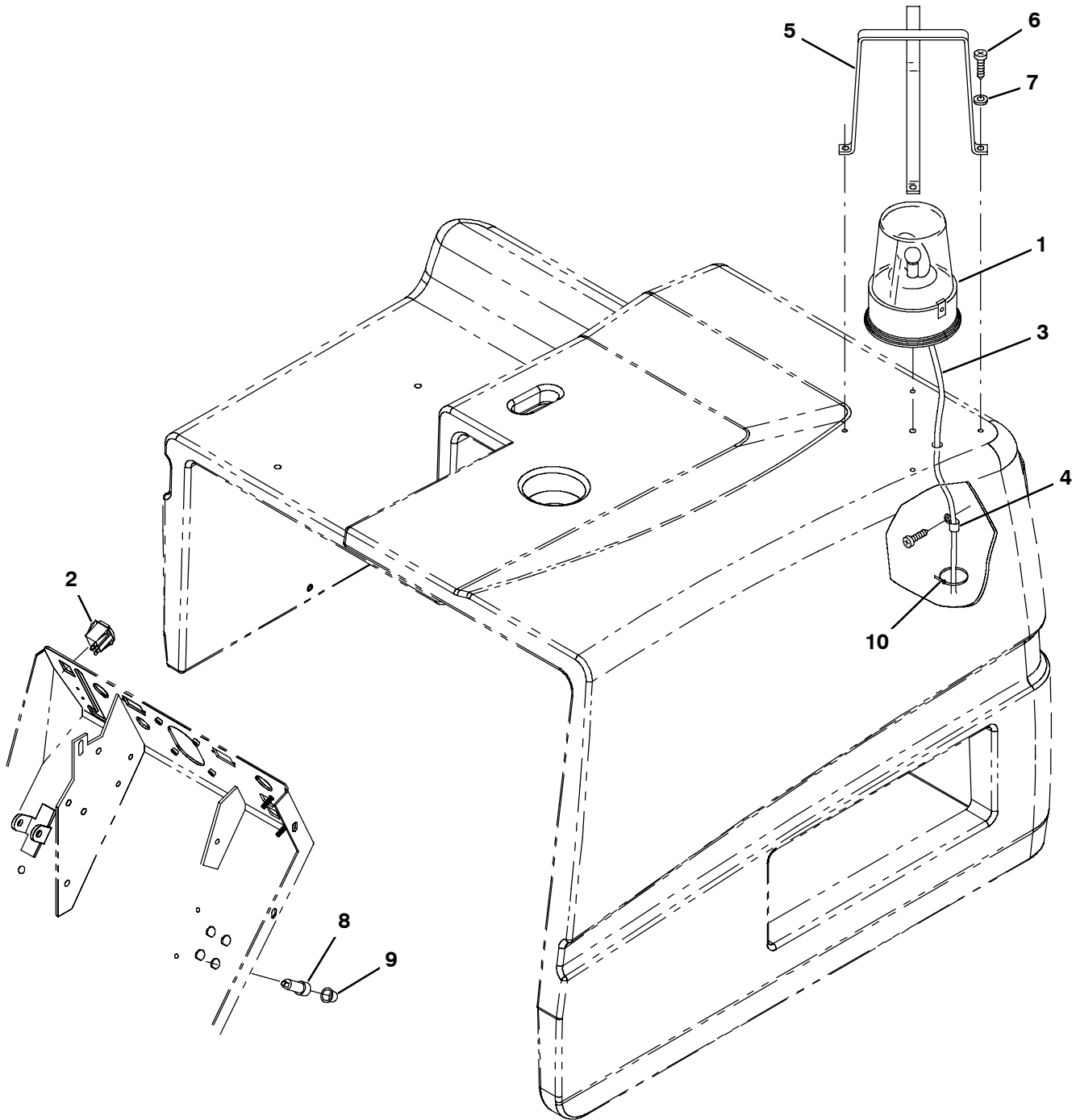


Fig. 1 - Revolving Light Kit

	Ref.	Part No.	Serial Number	Description	Qty.
▽		361301	(000000-) Light Kit, Revl, Ev 6400	1
▲▽	1	361976	(000000-) Light, Rev. Amber 36V-Rework	1
▲▲		44681-1	(000000-) Lens,Rev.Light,Amber	1
▲▲		45283	(000000-) Bulb, 40V .9A 50Cp #1062	1
▲	2	360520	(000000-) Switch,Rocker, Spdt, 3 Pos	1
▲	3	360500	(000000-) Harness, Warning, Light 6400	1
▲	4	26395-2	(000000-) Clamp-Cable, 0.38Dia 0.38Wth	1
▲	5	45272	(000000-) Guard Wldt, Light, Revl/Flsh	1
▲	6	360973	(000000-) Scr-Pan 12 X.50	5
▲	7	08793	(000000-) Washer, Flat, .20b .50d .06, Alm, Blind	4
▲	8	57803	(000000-) Breaker-Circuit, 15A Resetable	1
▲	9	57751	(000000-) Boot,Circuit Breaker	1
▲	10	49266	(000000-) Tie, Cable 1.75D Max 7.50Lg	2
		44681	(000000-) Lens,Rev.Light,Red	1
		44681-2	(000000-) Lens,Rev.Light,Blue	1

Fig. 2 - Revolving Light Kit, Overhead Guard

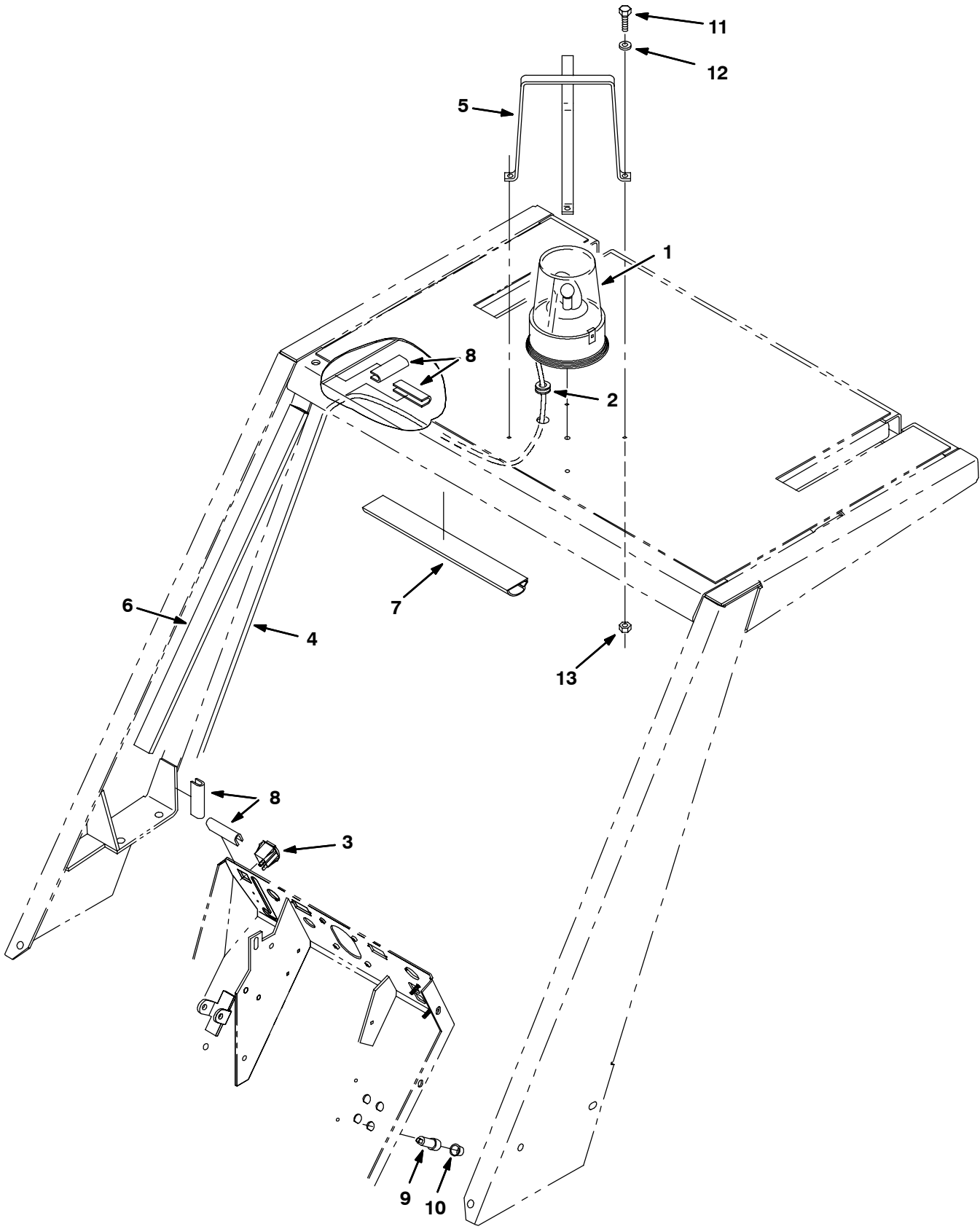


Fig. 2 - Revolving Light Kit, Overhead Guard

	Ref.	Part No.	Serial Number	Description	Qty.
		361303	(000000-) Light Kit, Revl, Ohg, Ev 6400	1
▲▽	1	361976	(000000-) Light, Rev. Amber 36V-Rework	1
▲▲		44681-1	(000000-) Lens,Rev.Light,Amber	1
▲▲		45283	(000000-) Bulb, 40V .9A 50Cp #1062	1
▲	2	10632-12	(000000-) Grommet,Rbr,0.38Id,For .12Matl	1
▲	3	360520	(000000-) Switch,Rocker, Spdt, 3 Pos	1
▲	4	360504	(000000-) Harness, Warning, Lite Ohg 6400	1
▲	5	45272	(000000-) Guard Wldt, Lights, Revl&Fish	1
▲	6	86332	(000000-) Duct, Vinyl 26.0"	1
▲	7	361944	(000000-) Duct, Vinyl, 14" Lg	1
▲	8	74068	(000000-) Molding, Trim 3/16-5/16 2.75	1
▲	9	57803	(000000-) Breaker-Circuit, 15A Resetable	1
▲	10	57751	(000000-) Boot,Circuit Breaker	1
▲	11	39277	(000000-) Screw, Hex, M8 X 1.25 X 25, 8.8	4
▲	12	39349	(000000-) Washer, Flat, 0.31, Sae	4
▲	13	07791	(000000-) Nut, Hex, Fing, M8 X 1.25	4
▲		49266	(000000-) Tie, Cable 1.75D Max 7.50Lg	2
		44681	(000000-) Lens,Rev.Light,Red	1
		44681-2	(000000-) Lens,Rev.Light,Blue	1

Fig. 3 - Back-Up Alarm Kit

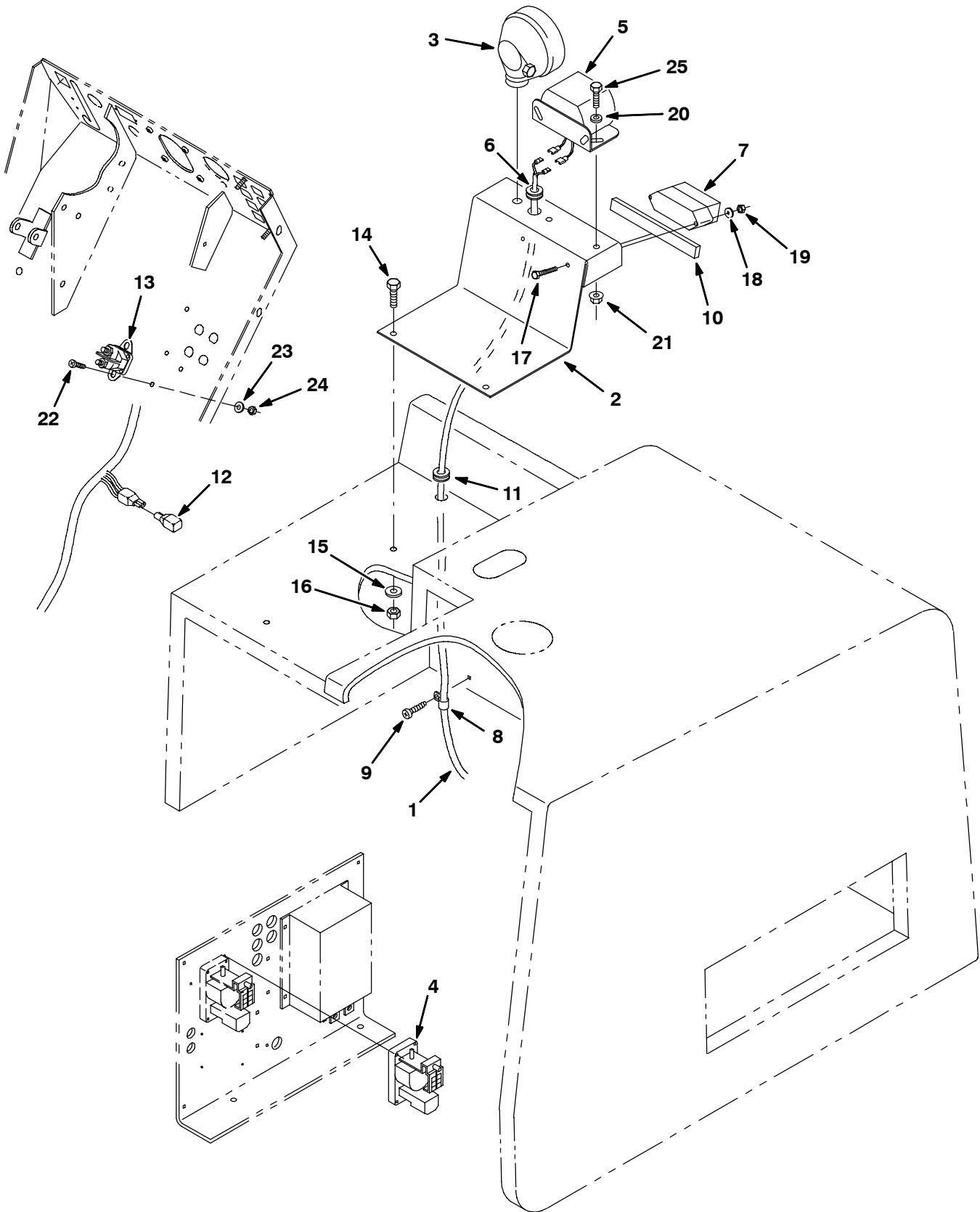


Fig. 3 - Back-Up Alarm Kit

	Ref.	Part No.	Serial Number	Description	Qty.
▽		366023	(000000-)	Backup Alarm Kit 6400, 36 V	1
▲	1	366036	(000000-)	Harness Jumper, Backup Alarm	1
▲	2	366016	(000000-)	Bracket, Alarm, Backup	1
▲▽	3	72172	(000000-)	Light Assy, 36V	1
▲▲		45391	(000000-)	Lamp, Headlight, 36V	1
▲	4	86377	(000000-)	Contactora	1
▲	5	72171	(000000-)	Horn	1
▲	6	10632-9	(000000-)	Grommet, Rubber	1
▲	7	72164	(000000-)	Flasher	1
▲	8	26395-2	(000000-)	Clamp, Cable	2
▲	9	360973	(000000-)	Screw, Pan, #12- X 0.50,	2
▲	10	50616	(000000-)	Seal,Foam Vyl, .38 .75W 7.3L	1
▲	11	10632-18	(000000-)	Grommet, Rubber	1
▲	12	222290	(000000-)	Diode, Electric Plug	1
▲	13	386810	(000000-)	Relay, 36vdc, 100a, Sp N/O [White]	1
▲	14	41342	(000000-)	Screw, Hex, M8 X 1.25 X 40, 8.8	2
▲	15	32491	(000000-)	Washer, Flat, 0.31, Std	2
▲	16	08709	(000000-)	Nut, Hex, Lock, M8 X 1.25, NI	2
▲	17	06949	(000000-)	Screw, Hex, M6 X 1.00 X 50, 8.8	2
▲	18	32483	(000000-)	Washer, Flat, 0.25, Sae	2
▲	19	08708	(000000-)	Nut, Hex, Lock, M6 X 1.00, NI	2
▲	20	32490	(000000-)	Washer, Flat, 0.25, Std	2
▲	21	07791	(000000-)	Nut, Hex, FIng, M8 X 1.25	2
▲	22	06933	(000000-)	Screw, Pan, Phl, M5 X 0.80 X 16, 4.8	2
▲	23	19066	(000000-)	Washer, Flat, 10	2
▲	24	06549	(000000-)	Nut, Hex, Lock, M5 X 0.80, NI	2
▲	25	16931	(000000-)	Screw, Hex, M8 X 1.25 X 20, 8.8	2

Fig. 4 - Light Kit

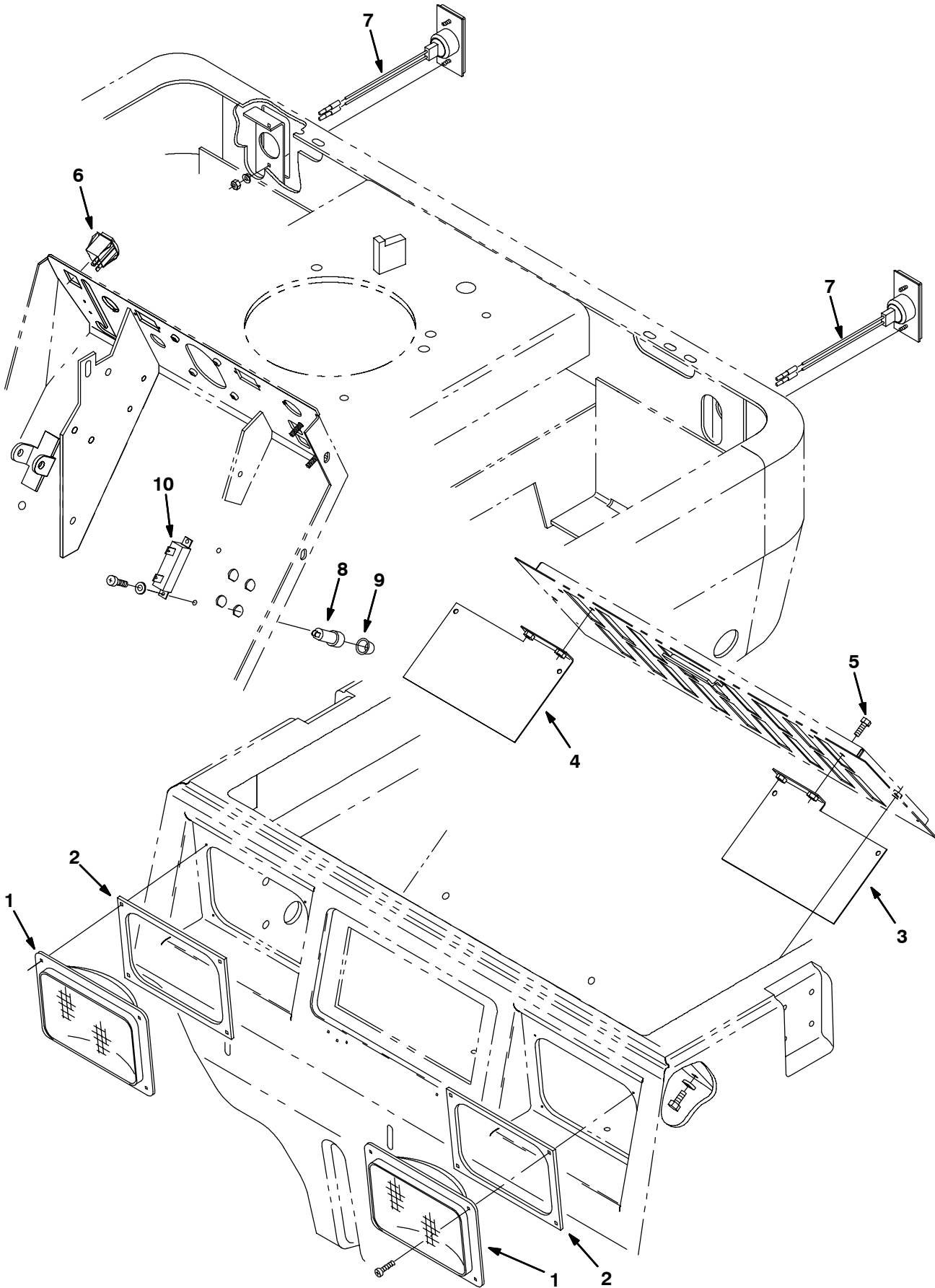
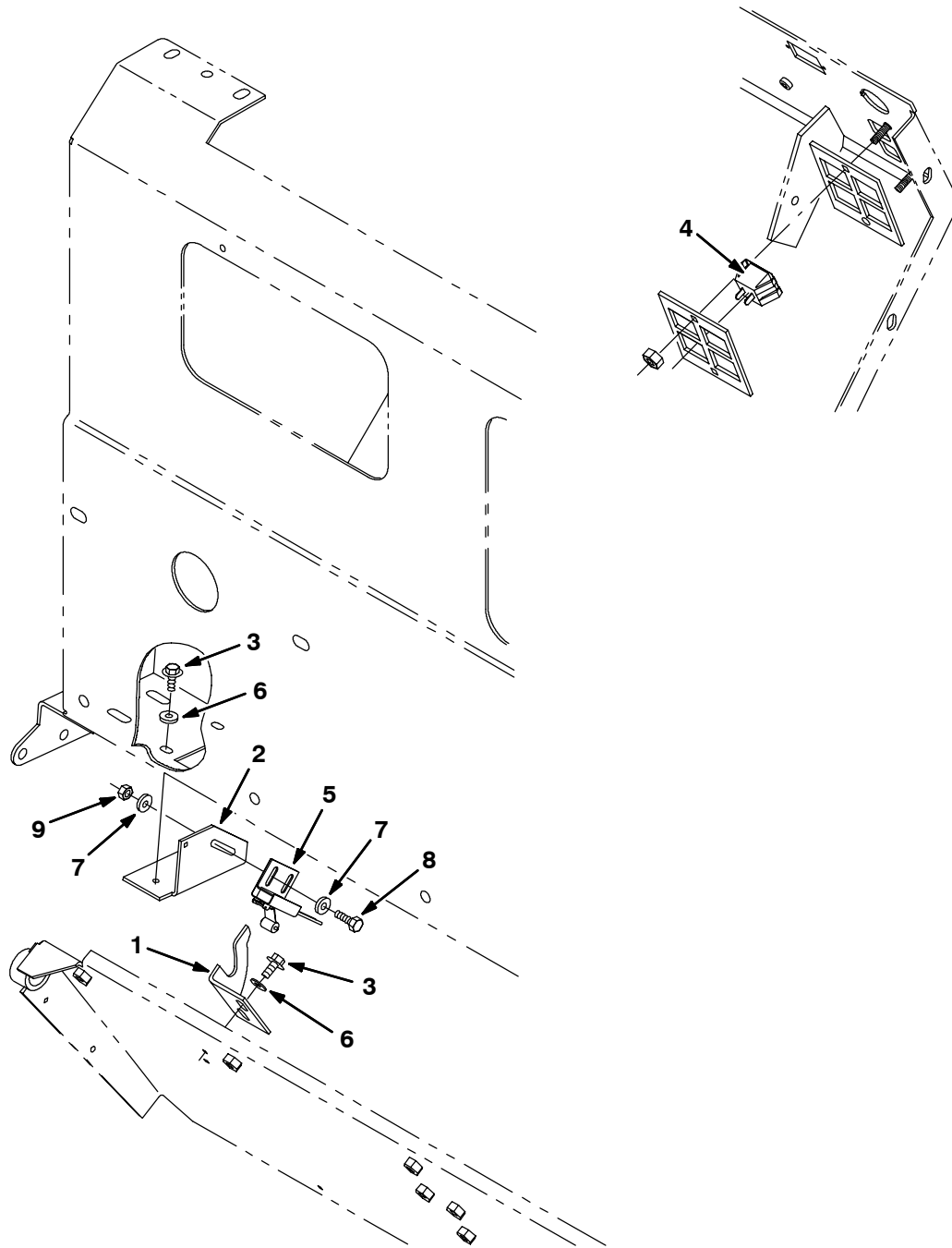


Fig. 4 - Light Kit

	Ref.	Part No.	Serial Number	Description	Qty.
▽		360958	(000000-) Headlight Kit, 36V, 6400 Line	1
▲▽	1	360823	(000000-) Headlight Assy 36V	2
▲▲		360518	(000000-) Bulb, Sp-7	1
▲	2	360604	(000000-) Seal, Headlight	2
▲	3	360909	(000000-) Plate, Cover, Headlight, Lh	1
▲	4	360910	(000000-) Plate, Cover, Headlight, Rh	1
▲	5	15678	(000000-) Screw Hexssm 6X1.0	4
▲	6	360521	(000000-) Switch, Rocker, Spdt, 2 Pos	1
▲▽	7	87346	(000000-) Light Assy Tail	2
▲▲		87948	(000000-) Bulb, 12V .27A 2Cp #194	1
▲▲		87949	(000000-) Socket Assy	1
▲	8	57803	(000000-) Breaker-Circuit, 15A Resetable	1
▲	9	57751	(000000-) Boot,Circuit Breaker	1
▲	10	87349	(000000-) Resistor, 40.00Ohms- 40.00Watt	1

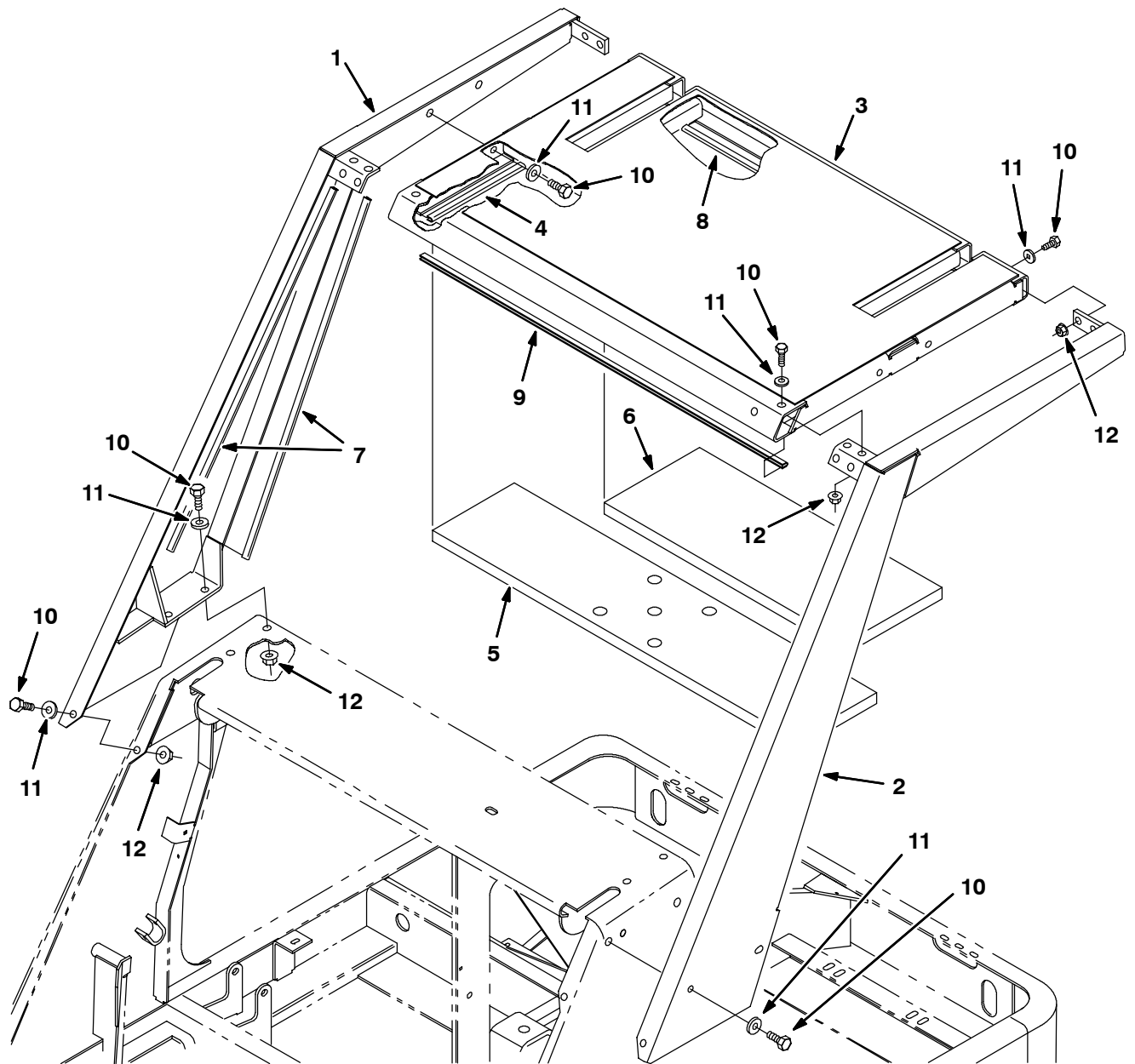
Fig. 5 - Hopper Door Closed Light Kit



350337 - E

Ref.	Part No.	Serial Number	Description	Qty.
▽	361289	(000000-)	Hopper Door Light Kit, 36V	1
▲	1 361140	(000000-)	Bracket, Door, Indicator	1
▲	2 361141	(000000-)	Bracket, Door, Indicator	1
▲	3 74455	(000000-)	Scr-Hx Fmgm 6X1.0 12	4
▲	4 361074	(000000-)	Lamp, Indicator 36 Volt	1
▲	5 59965	(000000-)	Switch, Roller	1
▲	6 32490	(000000-)	Washer, Flat, 0.25, Std	4
▲	7 19066	(000000-)	Washer, Flat, 10	4
▲	8 09244	(000000-)	Screw, Hex, M5 X 0.80 X 16, 8.8	2
▲	9 06549	(000000-)	Nut, Hex, Lock, M5 X 0.80, NI	2

Fig. 6 - Overhead Guard Kit



350023 - ALL

Ref.	Part No.	Serial Number	Description	Qty.
▽	360839	(000000-) Guard Kit, Overhead	1
▲	1 360795	(000000-) Channel Wldt, Ohg, Rh	1
▲	2 360798	(000000-) Channel Wldt, Ohg, Lh	1
▲	3 360962	(000000-) Panel Wldt, Top, Ohg	1
▲	4 48763	(000000-) Molding, Trim 3/16-5/16 10.0	2
▲	5 361284	(000000-) Insulation S/Foam	1
▲	6 361285	(000000-) Insulation S/Foam	1
▲	7 361671	(000000-) Molding, Trim, Leather, Black	2
▲	8 361672	(000000-) Molding, Trim, Leather, Black	1
▲	9 361673	(000000-) Molding, Trim, Leather, Black	1
▲	10 41346	(000000-) Screw, Hex, M12 X 1.75 X 30, 8.8	12
▲	11 32486	(000000-) Washer Flat,0.50,Sae	12
▲	12 07793	(000000-) Nut, Hex, Flng, M12 X 1.75	10

Fig. 7 - Severe Environment Indicator Kit

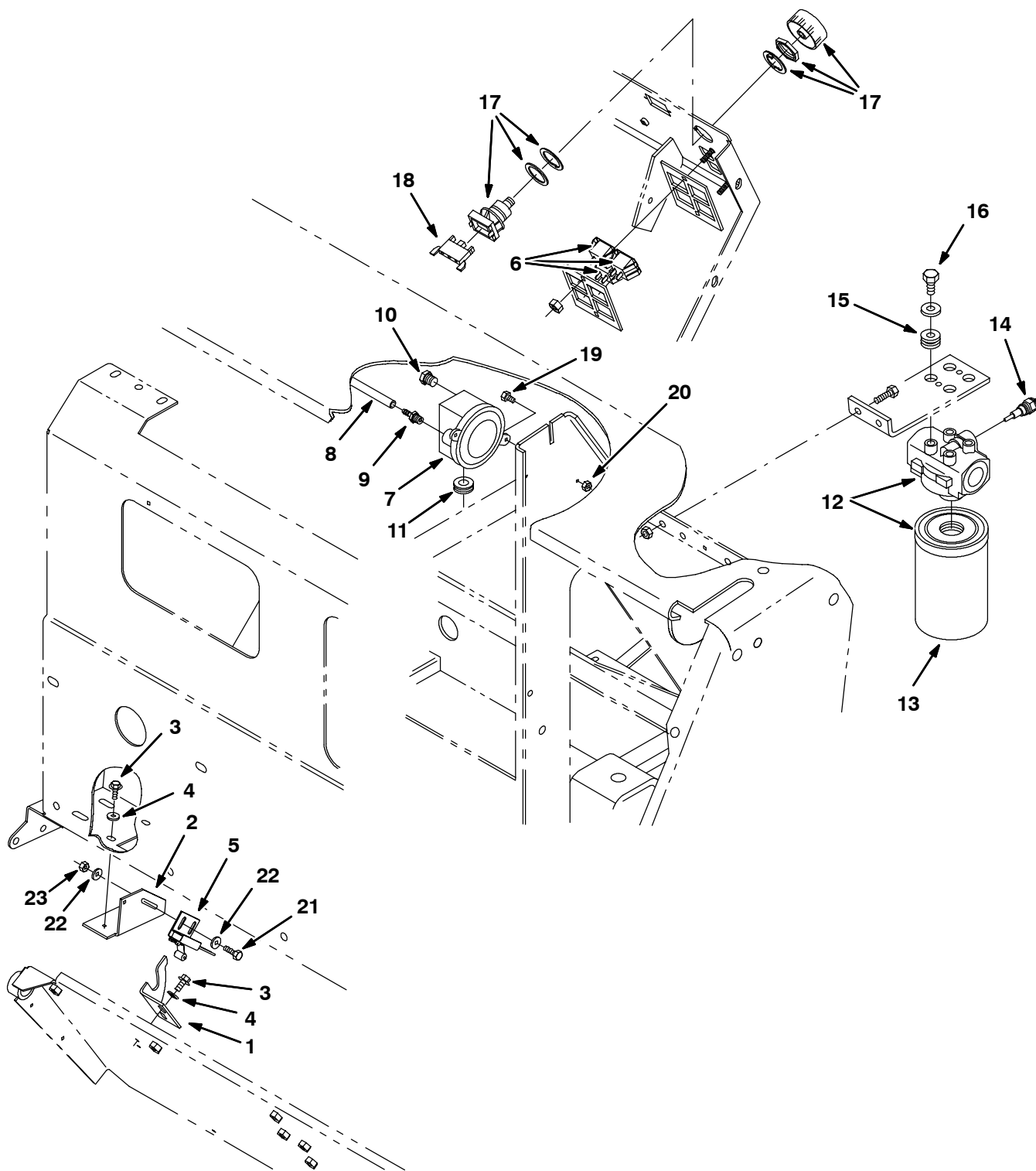


Fig. 7 - Severe Environment Indicator Kit

	Ref.	Part No.	Serial Number	Description	Qty.
▽		361150	(000000-) Indicator Kit, 36V	1
▲	1	361140	(000000-) Bracket, Door, Indicator	1
▲	2	361141	(000000-) Bracket, Door, Indicator	1
▲	3	74455	(000000-) Scr-Hx Fmgm 6X1.0 12	4
▲	4	01684	(000000-) Washer Flt .25 Ss	4
▲	5	59965	(000000-) Switch, Roller	1
▲	6	361074	(000000-) Light, Indicator 36Volt	3
▲	7	32029	(000000-) Switch Pressure	1
▲	8	39780-2	(000000-) Hose, Vacuum .16 Id X 54.0 Lg	1
▲	9	40607	(000000-) Ftg,Brass,St	1
▲	10	82739	(000000-) Ftg, Breather	1
▲	11	10632-4	(000000-) Grommet,Rbr,0.62Id,For .06Matl	1
▲▽	12	10664	(000000-) Filter Assy, Spin-On	1
▲▲	13	65221	(000000-) Element, Filter	1
▲	14	361198	(000000-) Sender, Filter, Hydraulic	1
▲	15	10632-11	(000000-) Grommet,Rbr,0.38Id,For .19Matl	4
▲	16	34195	(000000-) Scr-Hex .38-16X1.00 Nylon Loc	4
▲	17	78553	(000000-) Switch, Pushbutton	1
▲	18	65665	(000000-) Contact, Switch	1
▲	19	09206	(000000-) Screw, Hex, M4 X 0.70 X 12, 8.8	2
▲	20	02850	(000000-) Nut, Hex, Lock, M4 X 0.70, NI	2
▲	21	09244	(000000-) Screw, Hex, M5 X 0.80 X 16, 8.8	2
▲	22	19066	(000000-) Washer, Flat, 10	2
▲	23	06549	(000000-) Nut, Hex, Lock, M5 X 0.80, NI	2
▲		49266	(000000-) Tie, Cable 1.75D Max 7.50Lg	3

Fig. 8 - Side Brush Dust Control Kit

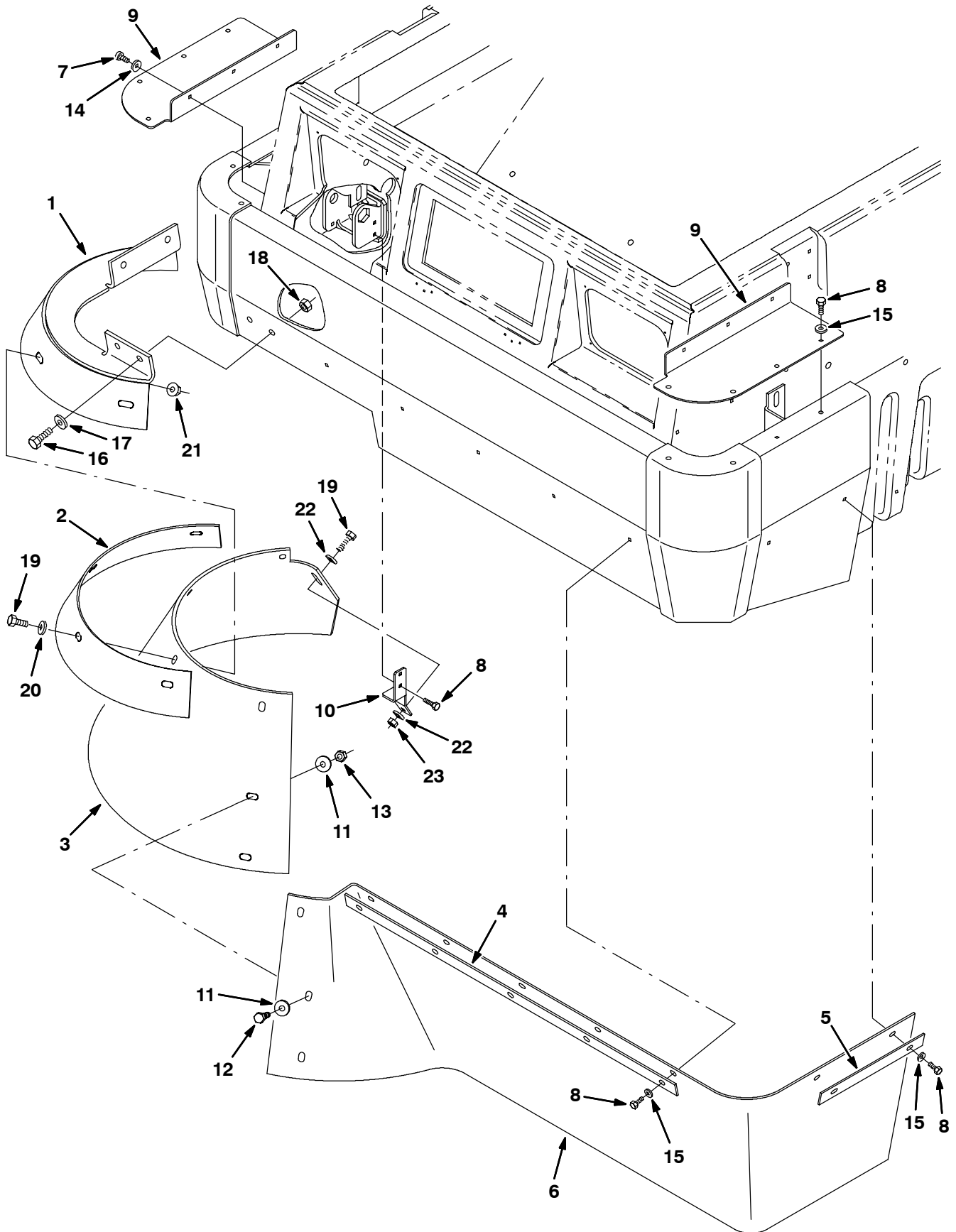
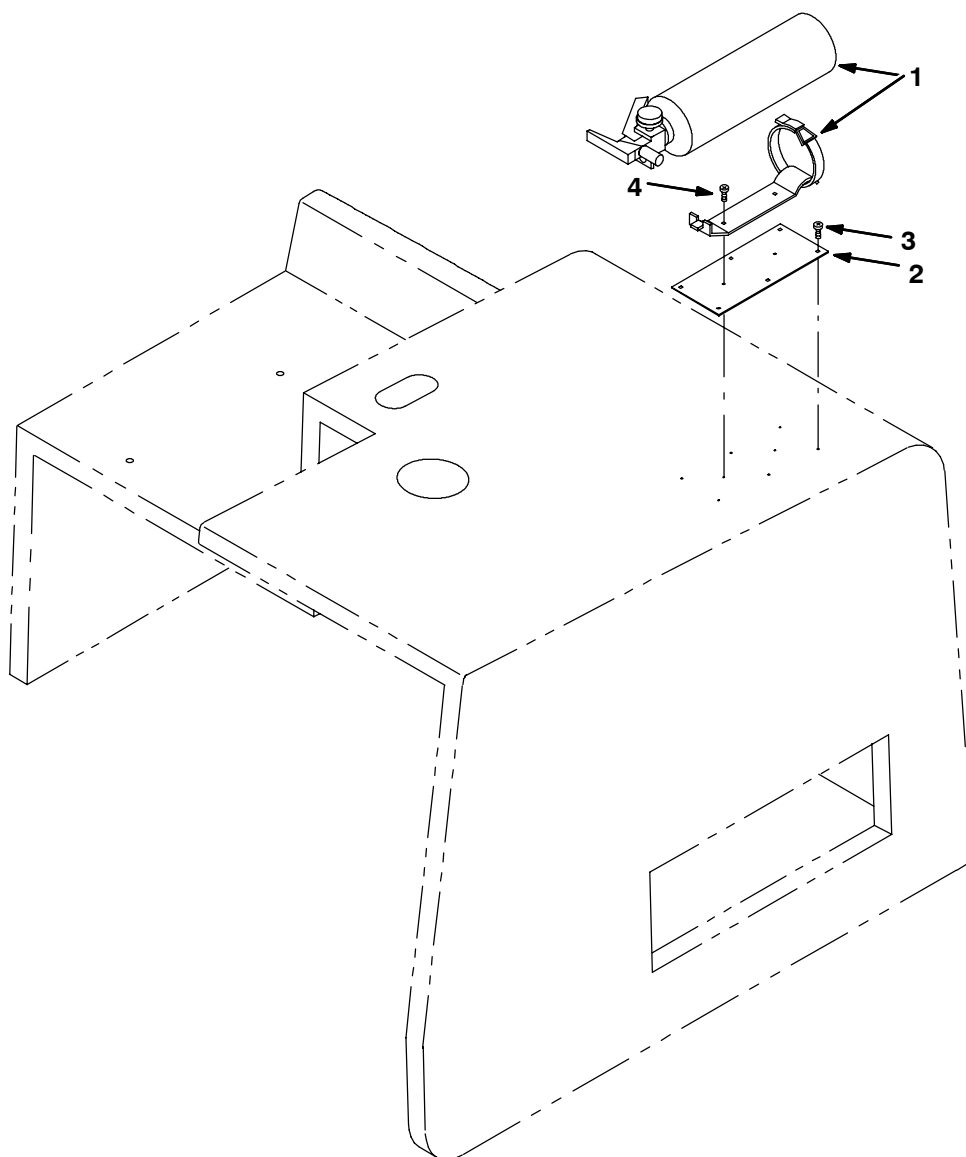


Fig. 8 - Side Brush Dust Control Kit

	Ref.	Part No.	Serial Number	Description	Qty.
▽		361268	(000000-) Dust Control Kit, Side Brush	1
▲	1	360883	(000000-) Bracket Wldt, Sbdc	1
▲	2	361292	(000000-) Strip, Retainer, Sbdc	1
▲	3	360933	(000000-) Skirt, Sbdc	1
▲	4	361330	(000000-) Strip, Retainer, Sbdc	1
▲	5	361331	(000000-) Strip, Retainer, Sbdc	1
▲	6	361332	(000000-) Skirt, Front, Sbdc	1
▲	7	360973	(000000-) Screw, Pan, 12-16 X 0.50, F/ Plstc	6
▲	8	24593	(000000-) Screw, Hex, .25-20 X 0.50, Fmg, Pl	17
▲	9	361329	(000000-) Seal, Sbdc	2
▲	10	361670	(000000-) Bracket, Sbdc	1
▲	11	41178	(000000-) Washer-Flt .25 Fender Pltd	4
▲	12	06943	(000000-) Screw, Hex, M6 X 1.00 X 20, 8.8	2
▲	13	08708	(000000-) Nut, Hex, Lock, M6 X 1.00, NI	2
▲	14	19324	(000000-) Washer, Flat, 10, Sae	6
▲	15	32490	(000000-) Washer, Flat, 0.25, Std	15
▲	16	03192	(000000-) Screw, Hex, M10 X 1.50 X 30, 8.8	4
▲	17	32492	(000000-) Washer, Flat, 0.38, Std	4
▲	18	07792	(000000-) Nut, Hex, Flng, M10 X 1.50	4
▲	19	39277	(000000-) Screw, Hex, M8 X 1.25 X 25, 8.8	5
▲	20	39349	(000000-) Washer, Flat, 0.31, Sae	4
▲	21	07791	(000000-) Nut, Hex, Flng, M8 X 1.25	4
▲	22	30013	(000000-) Washer, Flat, 0.31, Fendr	2
▲	23	08709	(000000-) Nut, Hex, Lock, M8 X 1.25, NI	1

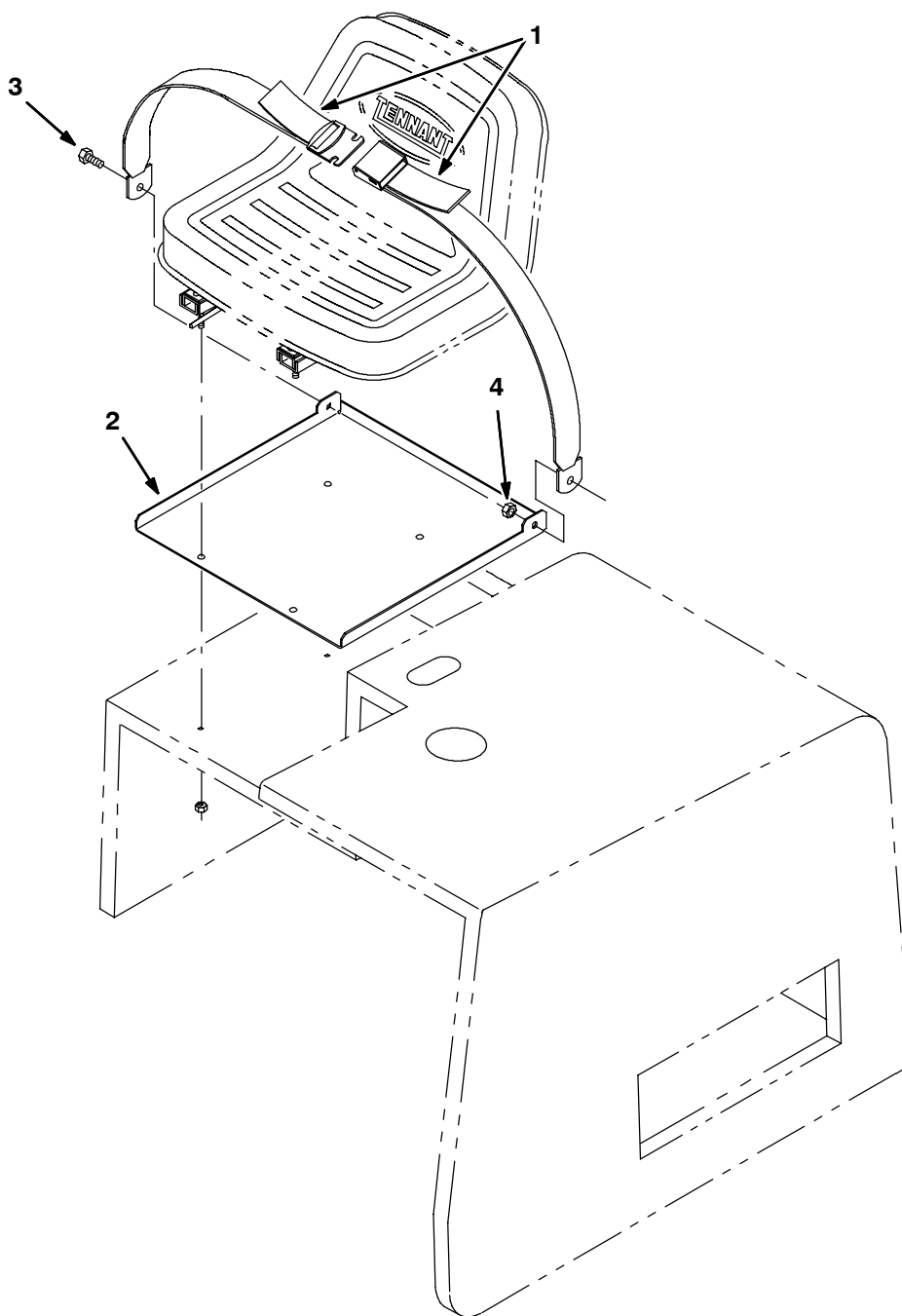
Fig. 9 - Fire Extinguisher Kit



350035 - ALL

Ref.	Part No.	Serial Number	Description	Qty.
▽	361211	(000000-) Extinguisher Kit, Fire 6400	1
▲	1 25312	(000000-) Extinguisher, Fire	1
▲	2 361210	(000000-) Plate, Fire Ext Mtg	1
▲	3 360973	(000000-) Scr-Pan 12 X.50 F/Plst PI	6
▲	4 02863	(000000-) Scr-Pnfmng 10 X 0.75 Type Ab	2

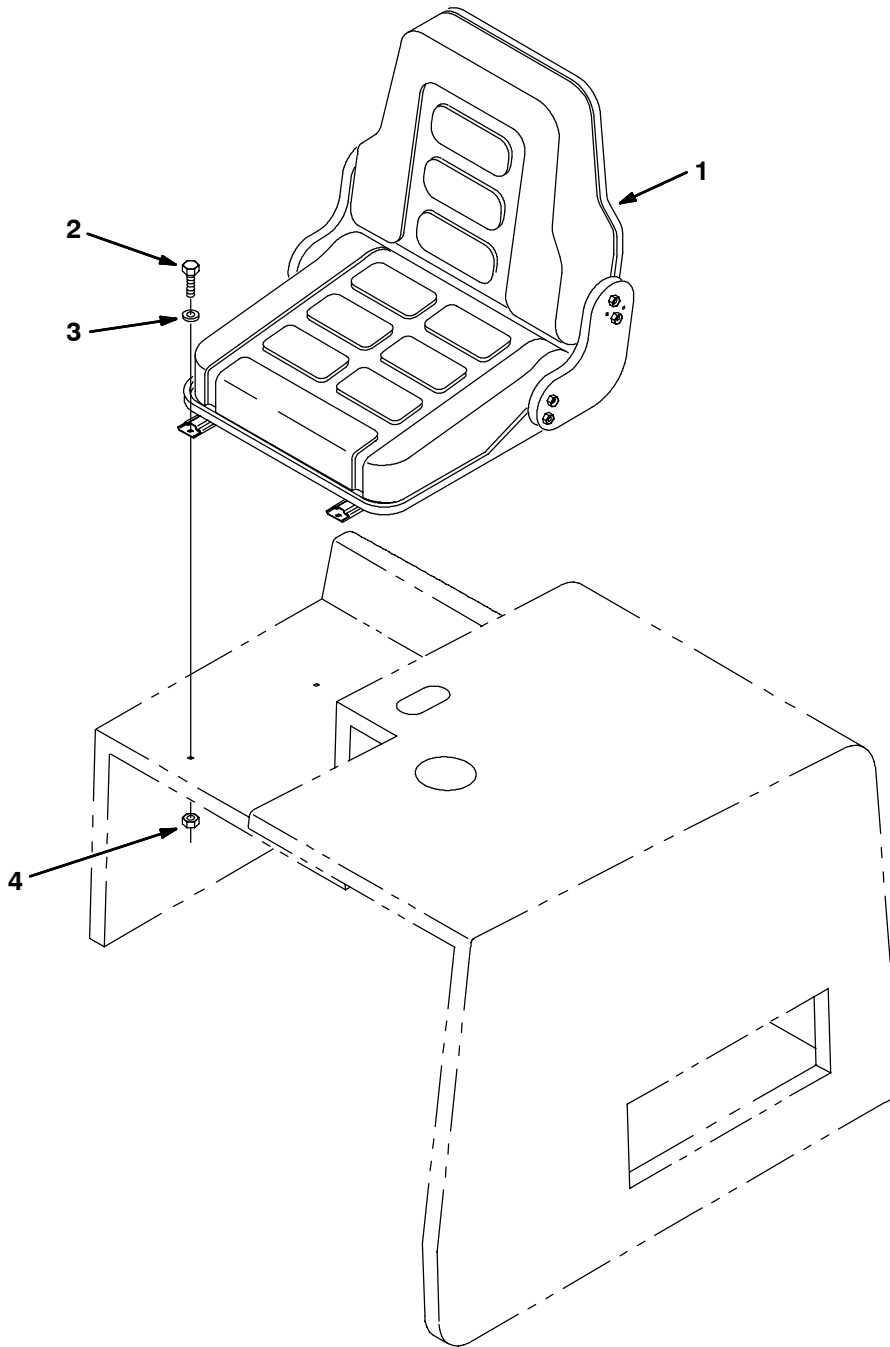
Fig. 10 - Seat Belt Kit



350033 - ALL

Ref.	Part No.	Serial Number	Description	Qty.
▽	360932	(000000-) Seat Belt Kit	1
▲	1 30533	(000000-) Belt, Seat	1
▲	2 360630	(000000-) Plate, Mtg, Seat Belt	1
▲	3 06961	(000000-) Screw, Hex, M10 X 1.50 X 20, 8.8	2
▲	4 41430	(000000-) Nut, Hex, Lock, M10 X 1.5, NI	2

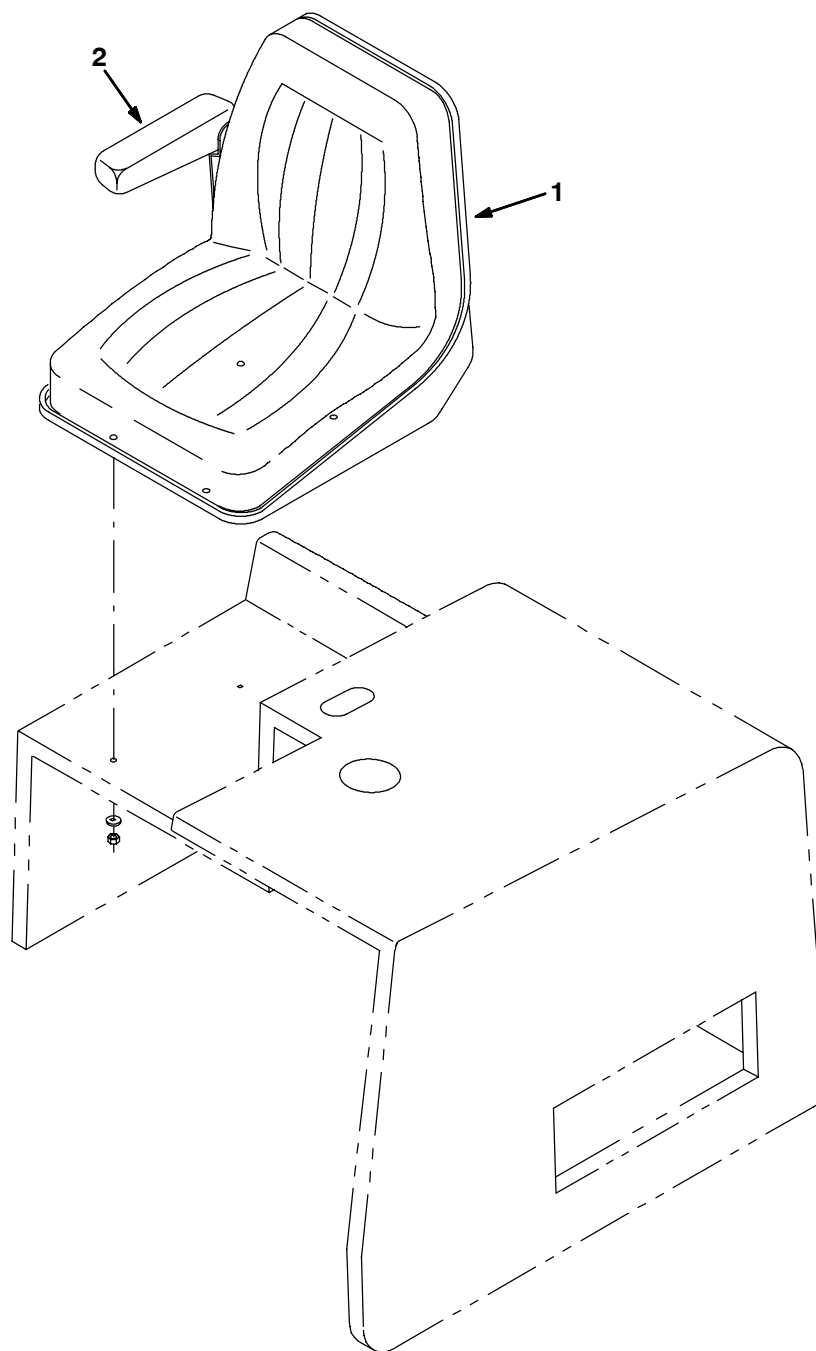
Fig. 11 - Deluxe Suspension Seat Group



350031 - ALL

Ref.	Part No.	Serial Number	Description	Qty.
1	361146	(000000-) Seat, Grammer	1
2	41342	(000000-) Screw, Hex, M8 X 1.25 X 40, 8.8	4
3	32490	(000000-) Washer, Flat, 0.25, Std	4
4	08709	(000000-) Nut, Hex, Lock, M8 X 1.25, NI	4

Fig. 12 - High Back Seat Group



350029 - ALL

	Ref.	Part No.	Serial Number	Description	Qty.
▽	1	77235	(000000-) Seat, Michigan	1
▲	2	369810	(000000-) Replacement Kit, Armrest	1

Fig. 13 - Vacuum Wand Kit

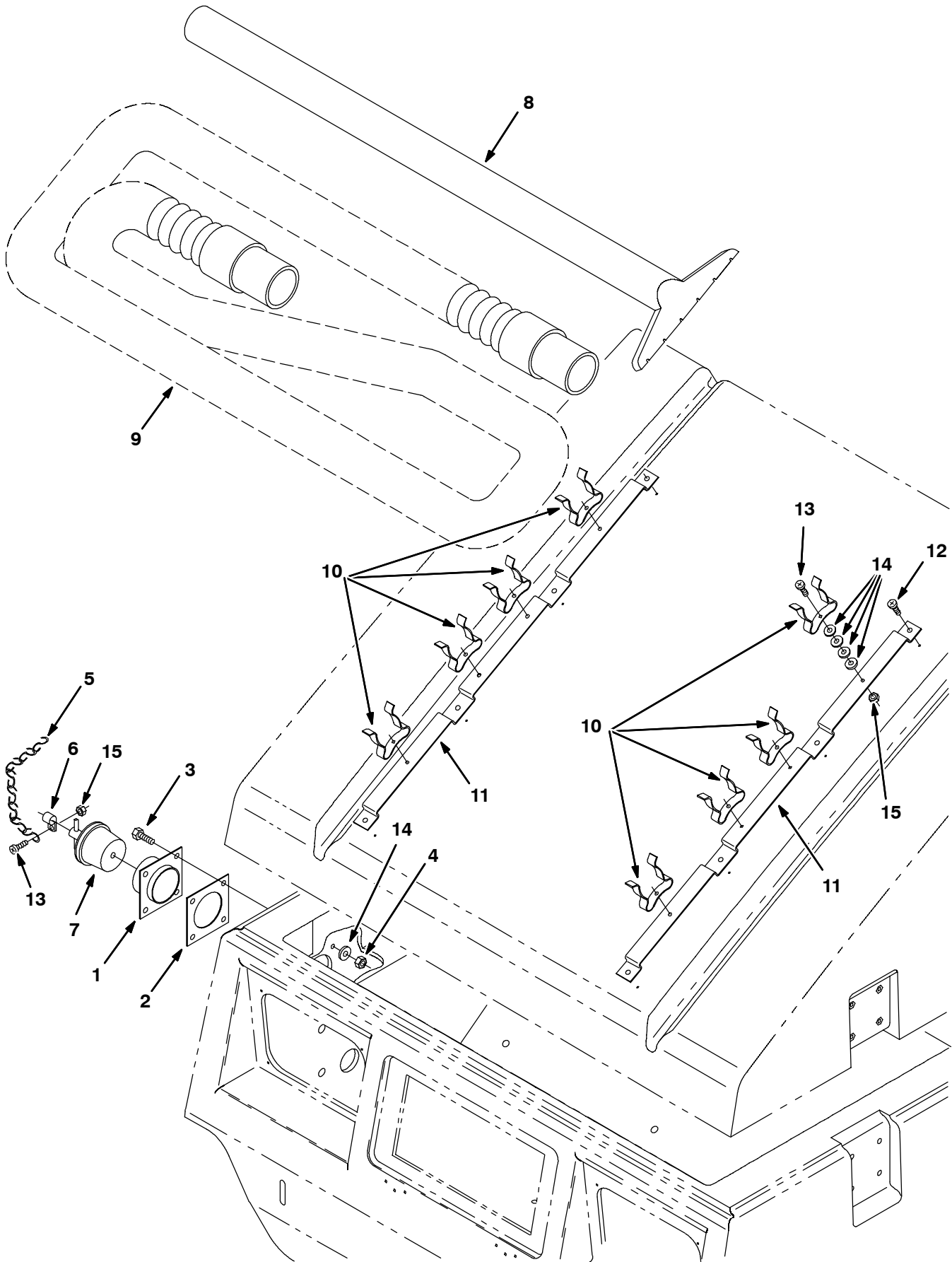


Fig. 13 - Vacuum Wand Kit

	Ref.	Part No.	Serial Number	Description	Qty.
▽		360915	(000000-) Wand Kit, Vac, 6400 Line	1
▲	1	360912	(000000-) Adaptor Wldt, Vac Wand	1
▲	2	55965	(000000-) Seal, Vac Wand	1
▲	3	09007	(000000-) Scr Hexssm 6X1.0 25	4
▲	4	08712	(000000-) Nut Hxlocnyln M 6X1.0 Reg Ss	4
▲	5	44166	(000000-) Chain,Jack#12, 6Links,Znc	1
▲	6	26395-2	(000000-) Clamp-Cable, 0.38Dia 0.38Wth	1
▲	7	42124	(000000-) Plug, Drain	1
▲	8	54012	(000000-) Wand	1
▲	9	54009	(000000-) Hose&2Cuff Assy,Vinyl2.0ld10Ft	1
▲	10	67004	(000000-) Clip-Finger Grip	8
▲	11	360938	(000000-) Bracket, Vac Wand	2
▲	12	360943	(000000-) Scr-Pan 10-14X0.75 F/Plst PI	8
▲	13	06927	(000000-) Screw, Pan, Phl, M4 X 0.70 X 16, 4.8	9
▲	14	19066	(000000-) Washer, Flat, 10	36
▲	15	02850	(000000-) Nut, Hex, Lock, M4 X 0.70, NI	9

Fig. 14 - Battery Group, 36V 315Ah Wet

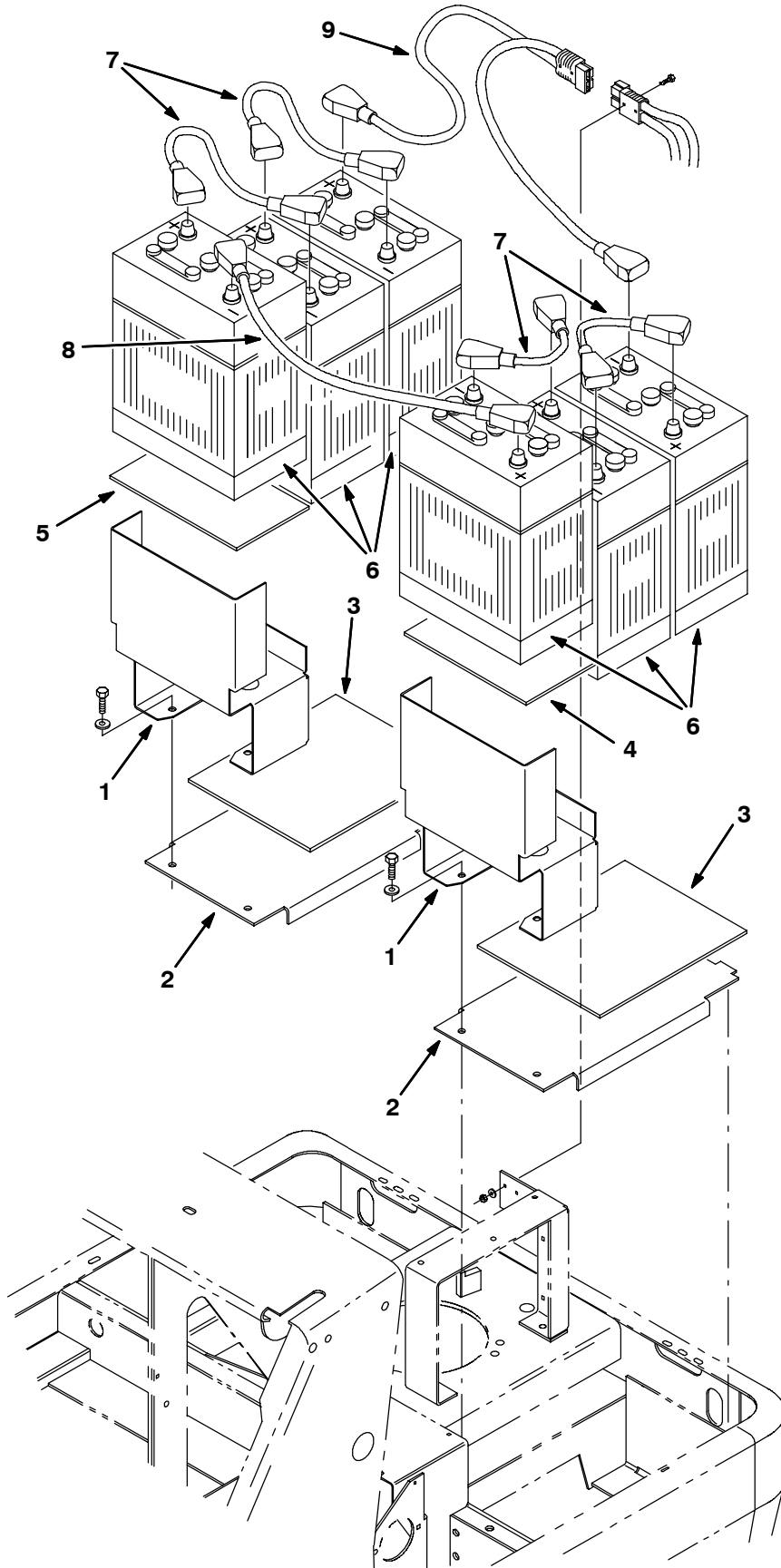
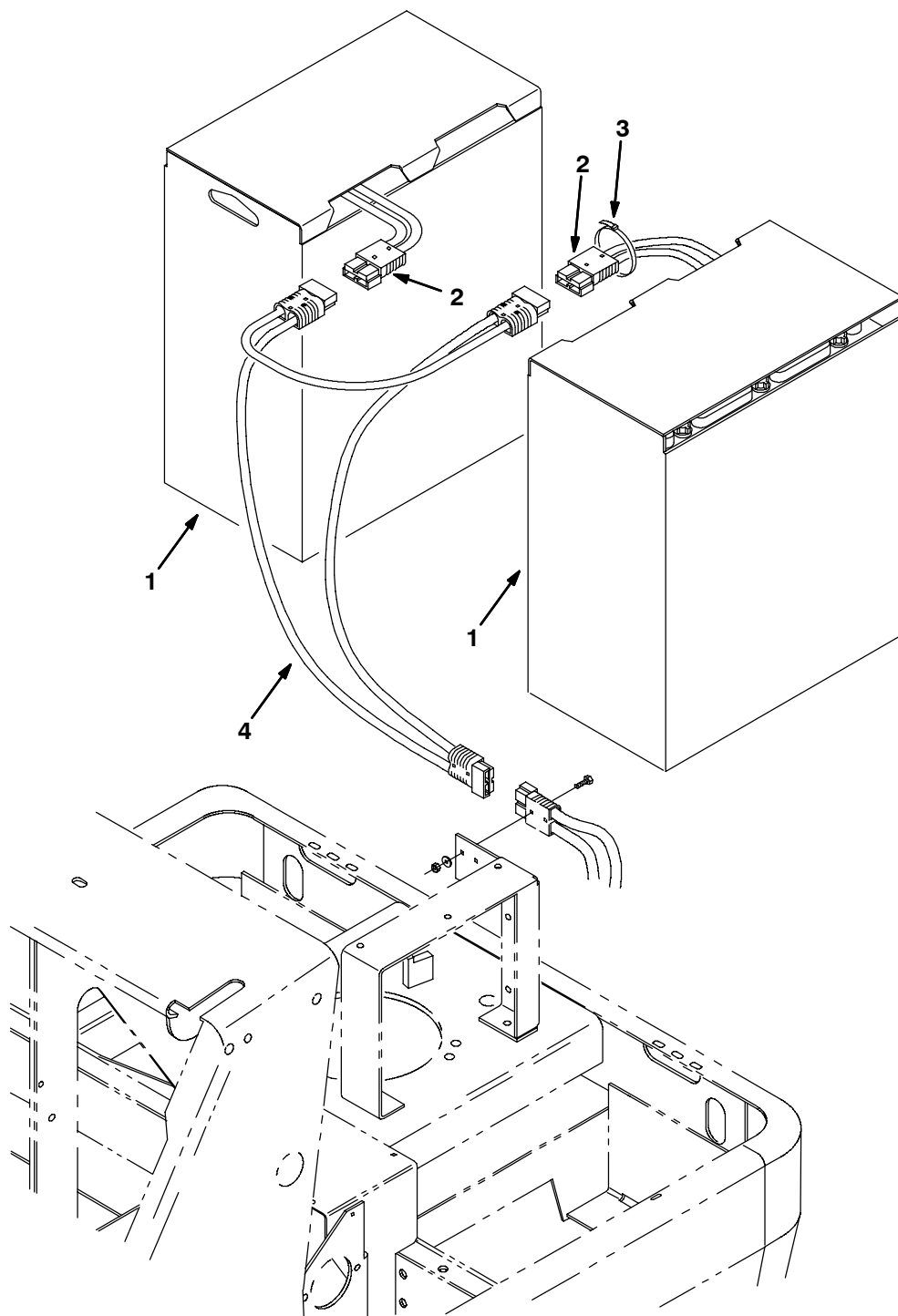


Fig. 14 - Battery Group, 36V 315Ah Wet

Ref.	Part No.	Serial Number	Description	Qty.
1	360689	(000000-) Bracket, Support, Battery	2
2	360688	(000000-) Channel, Support, Battery	2
3	361168	(000000-) Pad, Battery	2
4	361169	(000000-) Pad, Battery	1
5	361170	(000000-) Pad, Battery	1
6	10157	(000000-) Battery, 6V,Res Cap:187M Wet	6
7	50480	(000000-) Cable Assy-Batt,42E&Hd,Wire#1	4
8	36555-1	(000000-) Cable Assy-Batt,+&- , 40.0, 4Ga	1
9	41409	(000000-) Harness, Wire, Battery	1

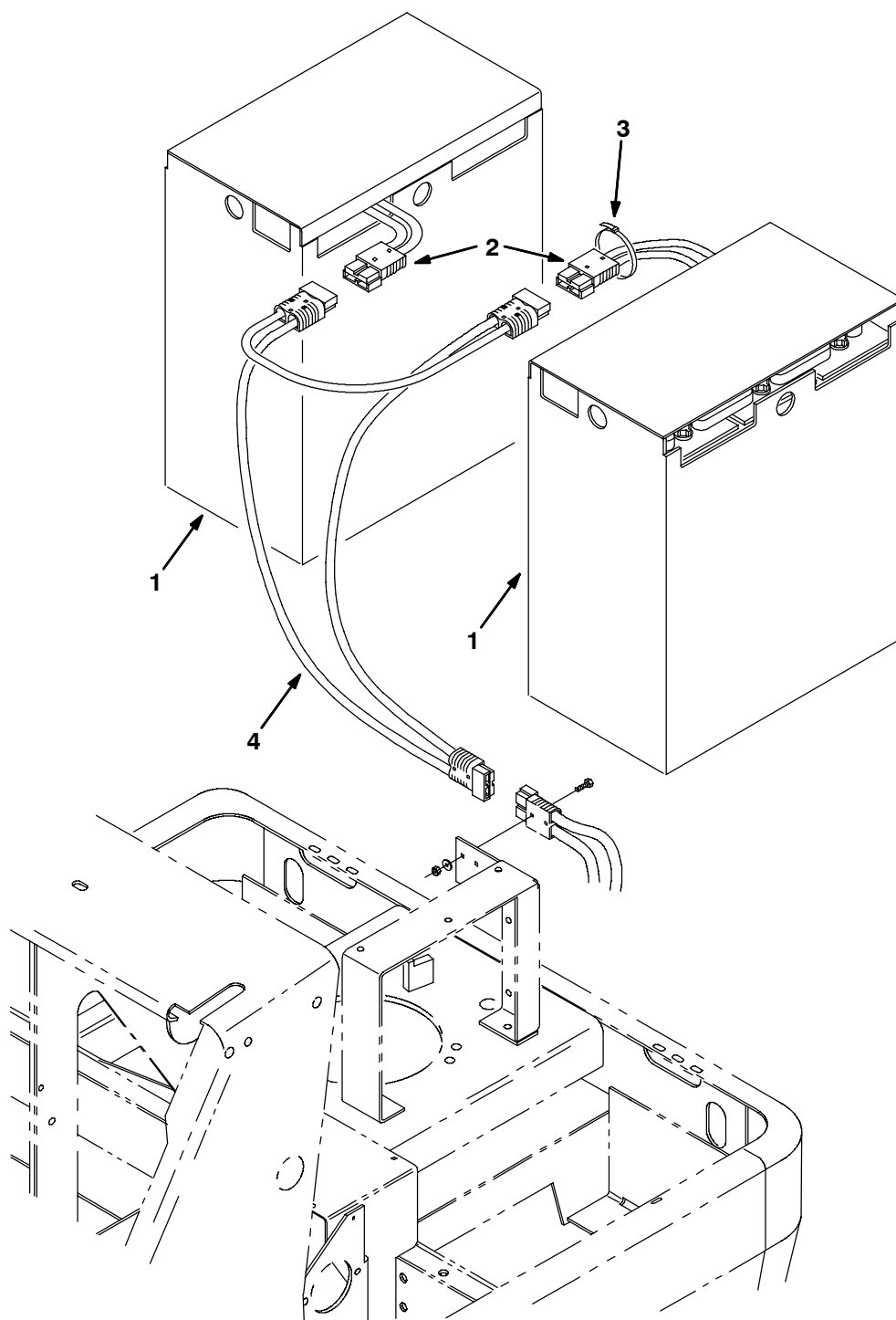
Fig. 15 - Battery Group 36V 440Ah Wet



350350 - E, JP, NA

	Ref.	Part No.	Serial Number	Description	Qty.
▽	1	360992	(000000-) Battery, 18V, 440 Ah, Wet	2
▲	2	47985	(000000-) Connector, Orange 175A	1
	3	44961	(000000-) Tie, Cable 4.00D max 14.50Lg	3
	4	87607	(000000-) Harness, Wire, Battery	1

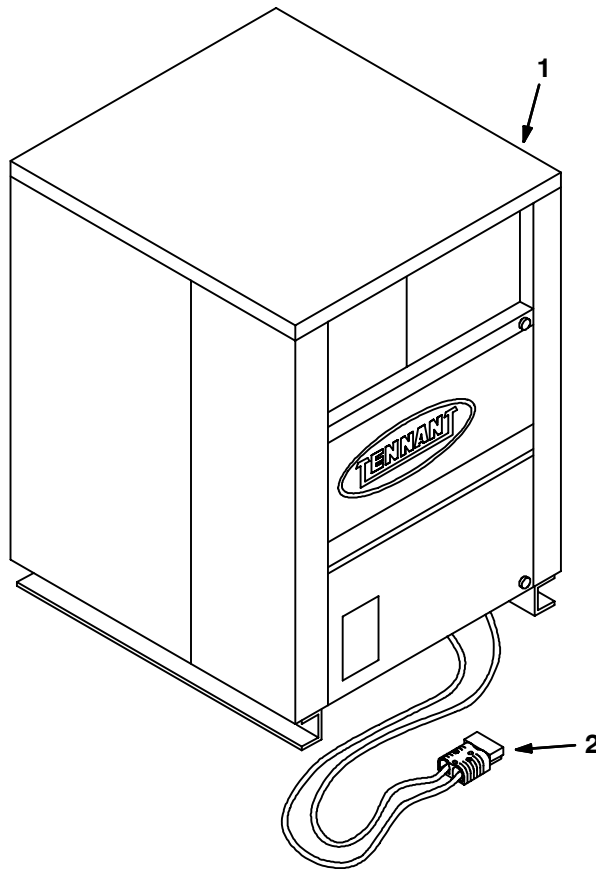
Fig. 16 - Battery Kit 36V 340Ah Wet



350347 - E, JP, NA

	Ref.	Part No.	Serial Number	Description	Qty.
▽	1	360066	(000000-) Battery, 18V, 340 Ah, Wet	2
▲	2	47985	(000000-) Connector, Andersn 175Amp, orng	1
	3	44961	(000000-) Tie, Cable 4.00D max 14.50Lg	3
	4	87607	(000000-) Harness, Wire, Battery	1

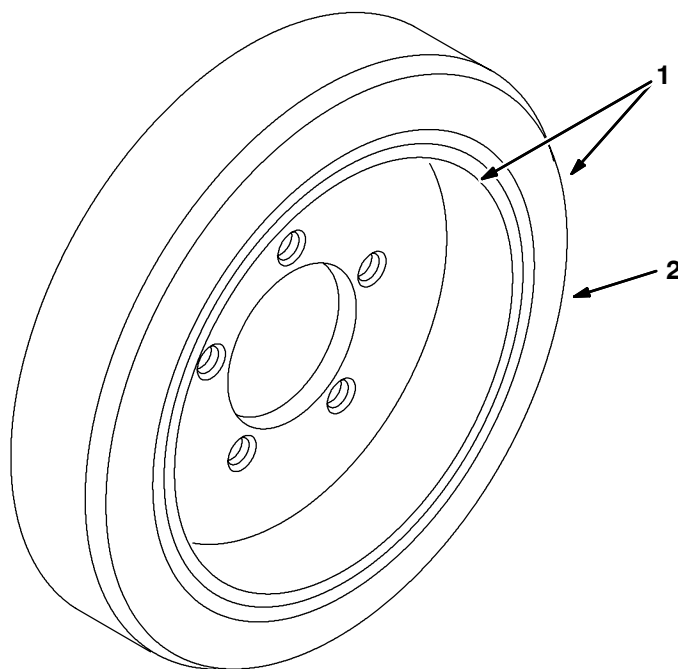
Fig. 17 - Battery Charger Group



07528 - E, JP, NA

	Ref.	Part No.	Serial Number	Description	Qty.
▽	1	65780	(000000-) Charger, 50A/60H/1Ph,	1
▲	2	22892	(000000-) Connector, Gray	1
▽	1	65781	(000000-) Charger, 75A /60H/1Ph	1
▲	2	22892	(000000-) Connector, Gray	1
▽	1	65782	(000000-) Charger, 75A/60H/3Ph	1
▲	2	22892	(000000-) Connector, Gray	1
▽	1	364080	(000000-) Charger, 50A / 50H/1Ph	1
▲	2	22892	(000000-) Connector, Gray	1
▽	1	364081	(000000-) Charger, 75A / 50H/3Ph	1
▲	2	22892	(000000-) Connector, Gray	1
▽	1	364082	(000000-) Charger, 45A / 50-60H/1Ph	1
▲	2	222892	(000000-) Connector, Gray	1

Fig. 18 - Non-Marking Tire and Wheel Assembly



350397 - E

	Ref.	Part No.	Serial Number	Description	Qty.
▽	1	360673	(000000-) Tire and Wheel Assembly, Un PI Nm Ev	1
▲	2	360297	(000000-) Tire, 16X4X12, 125 Un PI Nm	1

Fig. 19 - High Capacity Dust Control Kit

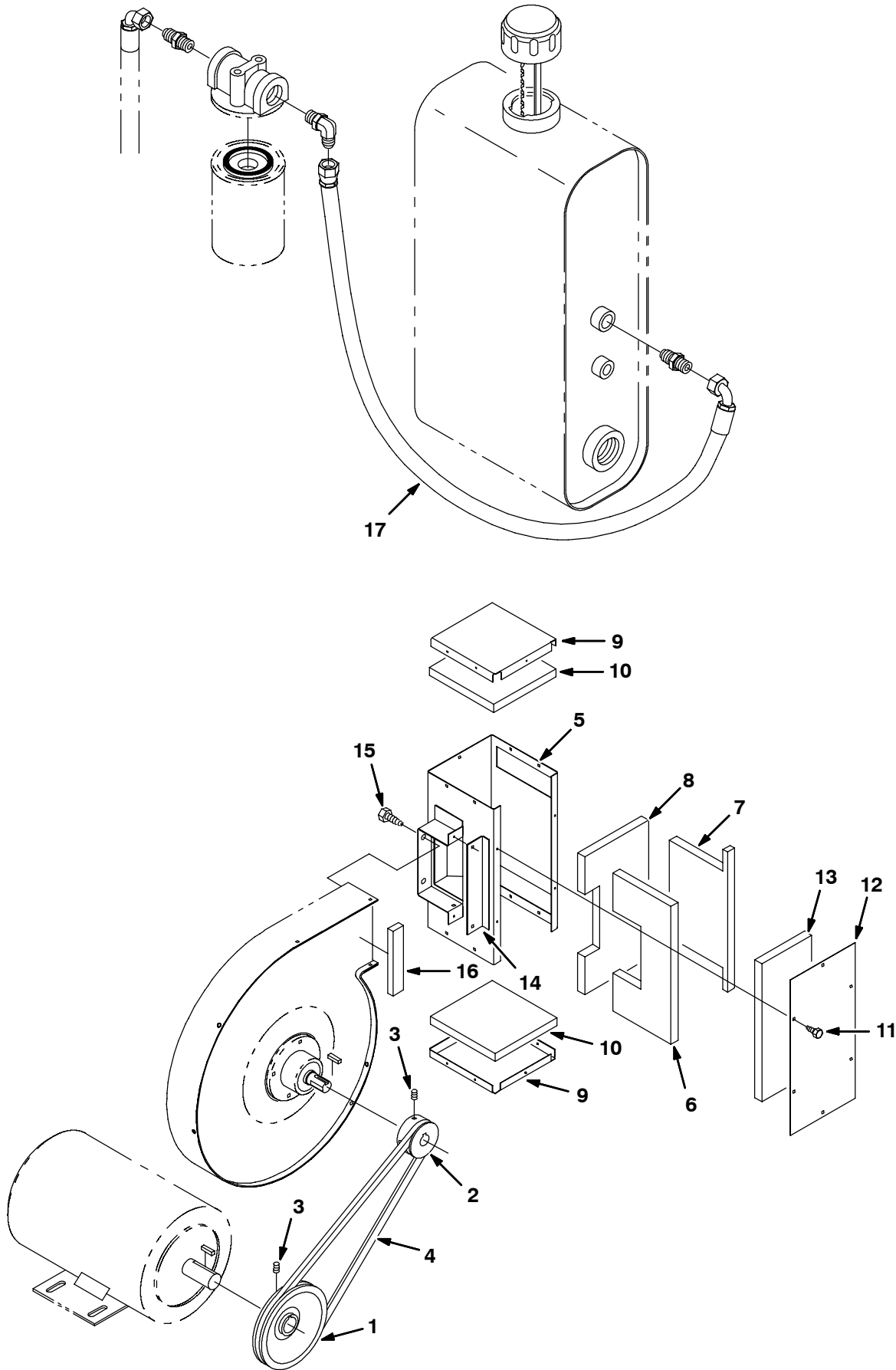


Fig. 19 - High Capacity Dust Control Kit

	Ref.	Part No.	Serial Number	Description	Qty.
▽		361196	(000000-) High cap dust control kit	1
▲	1	361191	(000000-) Sheave, step	1
▲	2	360406	(000000-) Sheave	1
▲	3	57496	(000000-) Screw, set	4
▲	4	360753	(000000-) Belt, fan drive	1
▲	5	361926	(000000-) Muffler, vac fan	1
▲	6	361936	(000000-) Insulation, soundfoam	1
▲	7	361994	(000000-) Insulation, soundfoam	1
▲	8	361995	(000000-) Insulation, soundfoam	1
▲	9	361932	(000000-) Plate, vac fan muffler	2
▲	10	361993	(000000-) Insulation, soundfoam	2
▲	11	87838	(000000-) Screw, hxfrm	18
▲	12	361992	(000000-) Plate, cover, vac fan muffler	1
▲	13	361937	(000000-) Insulation, soundfoam	1
▲	14	361935	(000000-) Angle, mtg, vac fan muffler	1
▲	15	74455	(000000-) Screw, hxfrm	2
▲	16	361327	(000000-) Seal	1
▲	17	71557	(000000-) Hose, hyd	1

Fig. 20 - Documentation Group

07501 - E, NA

Ref.	Part No.	Serial Number	Description	Qty.
	MM432	(000000-) Manual Pkg 6400E	1
	MM434	(000000-) Manual, Service 6400E	1
	1041867	(000000-) Video, Oprtr, Dvd [6400e]	1
	MM432ES	(000000-) Manual, Operator 6400E, Spanish	1
	MM432FR	(000000-) Manual, Operator 6400E, French	1
	MM432JP	(000000-) Manual Pkg 6400E, Japanese	1
	330715	(000000-) Manual, Cd-Rom, Service, All	1

SECTION 4

Contents	Page
Fig. 1 - Hydraulic Gear Motor Breakdown, 361026	4-2
Fig. 2 - Hydraulic Gear Pump Breakdown, 361020	4-4
Fig. 3 - Hydraulic Steering Valve Breakdown, 74173	4-6
Fig. 4 - Hydraulic Cylinder Breakdown, 54098 ...	4-7
Fig. 5 - Hydraulic Cylinder Breakdown, 361013 ..	4-8
Fig. 6 - Hydraulic Control Valve Breakdown, 361012	4-10
Fig. 7 - Hydraulic Solenoid Control Valve Breakdown, 361029	4-12
Fig. 8 - Electric Motor Breakdown, 360065	4-14
Fig. 9 - Electric Motor Breakdown, 360175	4-15
Fig. 10 - Hydraulic Solenoid Control Valve Breakdown, 1049638	4-16

Fig. 1 - Hydraulic Gear Motor Breakdown, 361026

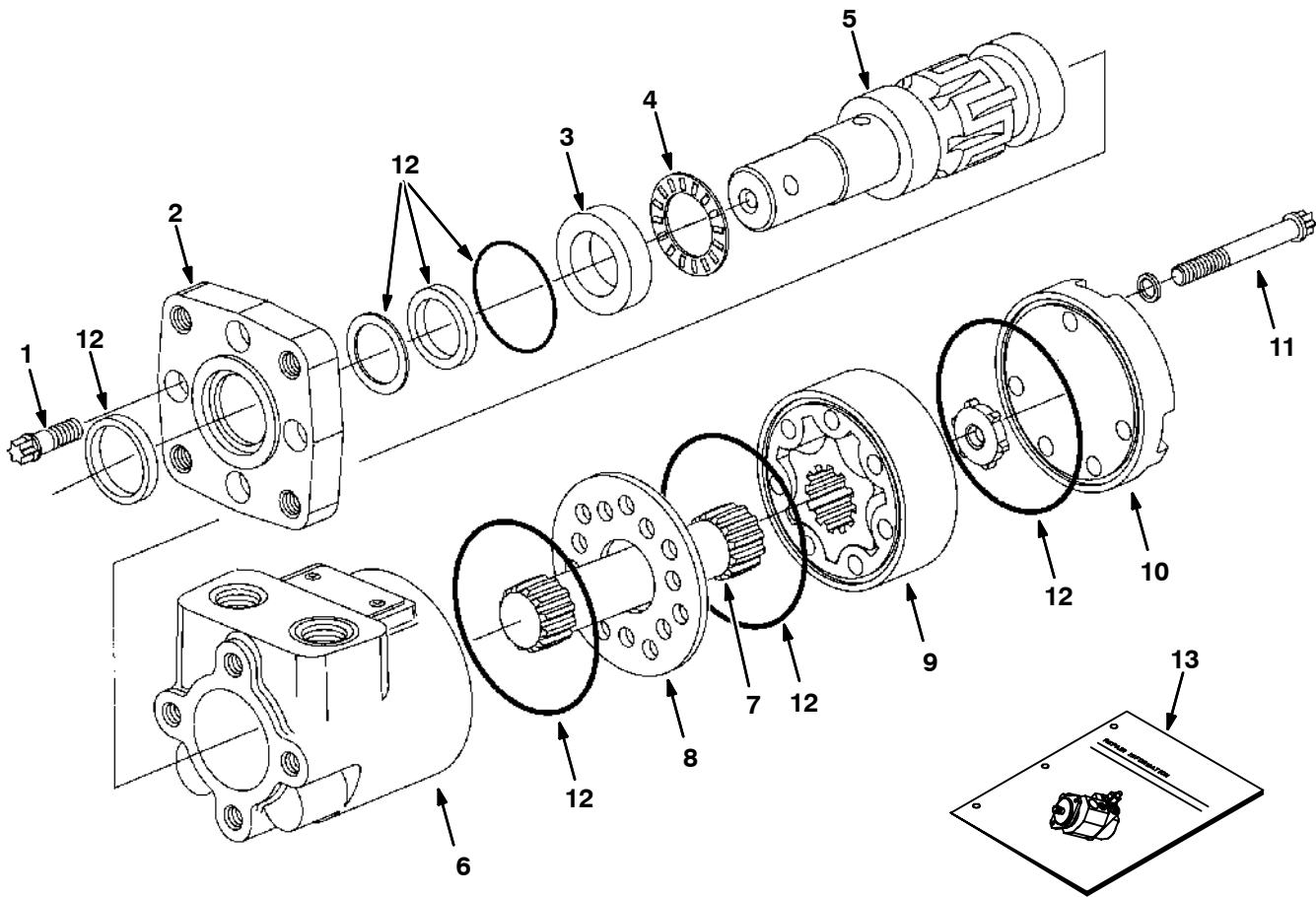


Fig. 1 - Hydraulic Gear Motor Breakdown, 361026

	Ref.	Part No.	Serial Number	Description	Qty.
▽		361026	(000000-) Motor, Hyd Gear In 08.9 B 1500	1
▲	1	37555	(000000-) Screw	4
▲	2	31354	(000000-) Flange Mounting	1
▲	3	16695	(000000-) Race Thrust	1
▲	4	45628	(000000-) Thrust Bearing	1
▲	5	31373	(000000-) Shaft, Output	1
▲	6	74100	(000000-) Housing	1
▲	7	21955	(000000-) Drive	1
▲	8	74094	(000000-) Spacer Plate	1
▲	9	21956	(000000-) Gerotor Set	1
▲	10	65230	(000000-) Cap, End	1
▲	11	21958	(000000-) Cap Screw	5
▲	12	28835	(000000-) Seal Kit, Motor A/H-Stnd	1
	13	74250	(000000-) Instr. Repair Info, Motor	1

Fig. 2 - Hydraulic Gear Pump Breakdown, 361020

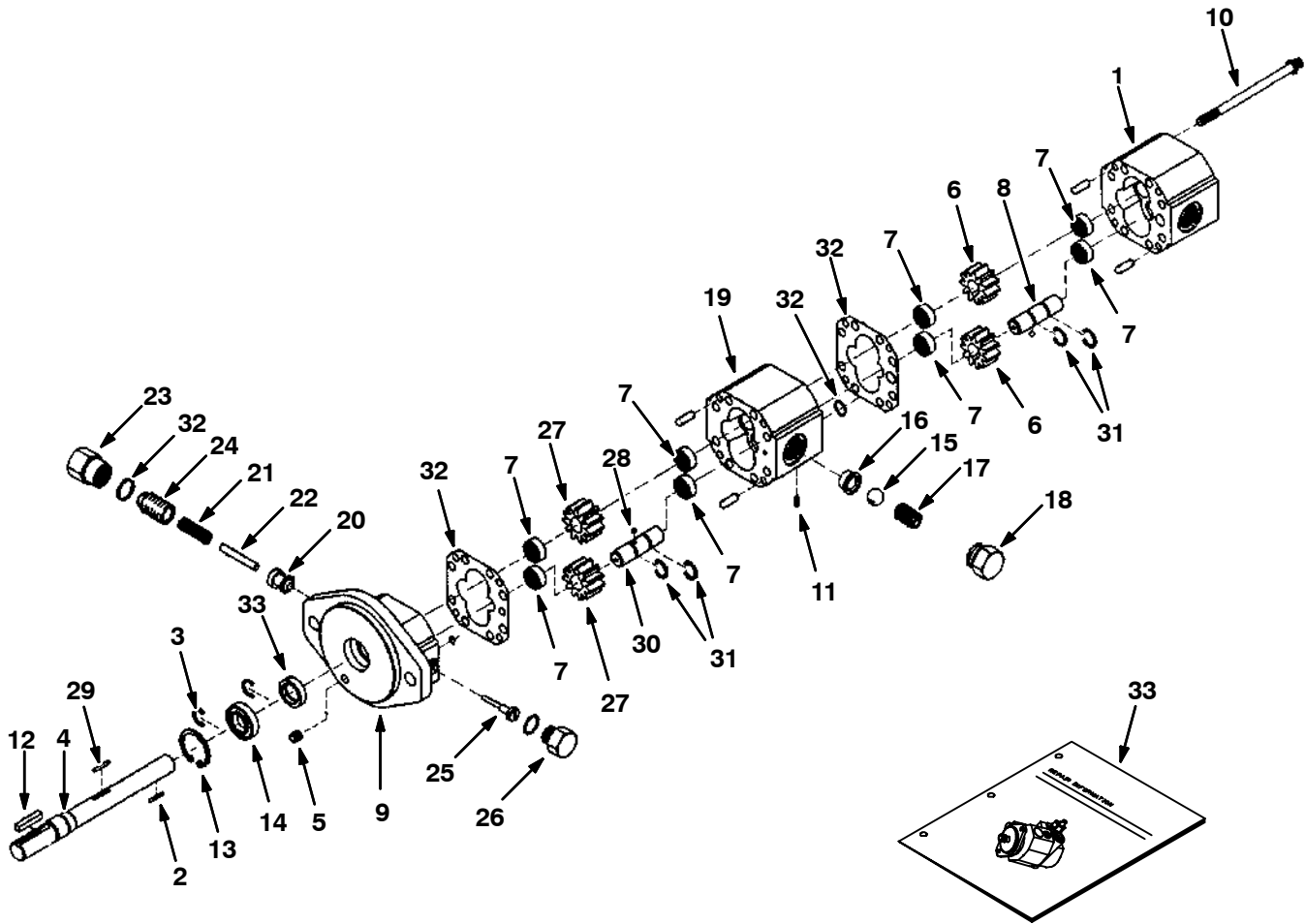
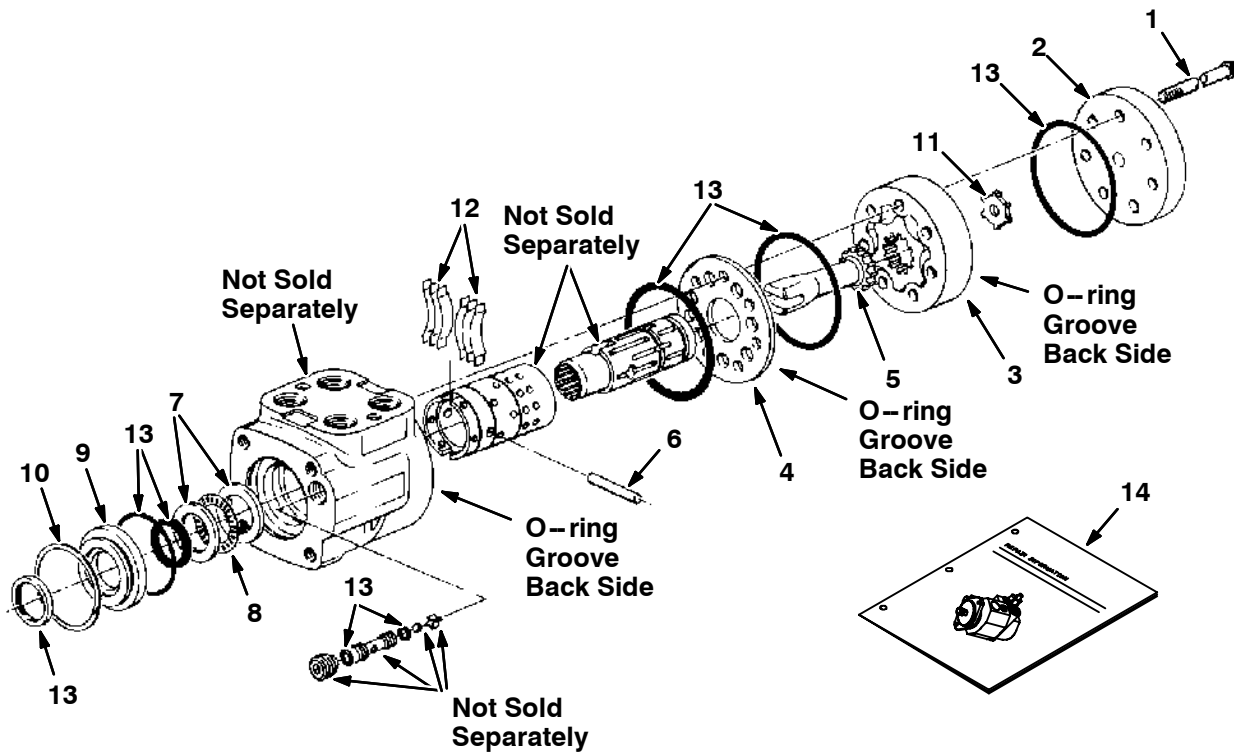


Fig. 2 - Hydraulic Gear Pump Breakdown, 361020

	Ref.	Part No.	Serial Number	Description	Qty.
▽		361020	(000000-) Pump, Hyd Gear Ex2 0.45 R 1300	1
▲	1	22514	(000000-) End Housing	1
▲	2	22515	(000000-) Pin, Shear	1
▲	3	22518	(000000-) Crescent Ring	2
▲	4	22521	(000000-) Drive Shaft	1
▲	5	22522	(000000-) Plug, Swiss 7Mm	1
▲	6	22532	(000000-) Gear, Gc .625	2
▲	7	22540	(000000-) Bearing, Du	8
▲	8	22541	(000000-) Idler Shaft	1
▲	9	22543	(000000-) Stator	1
▲	10	21999	(000000-) Screw	8
▲	11	21983	(000000-) Plug, Lee	1
▲	12	22544	(000000-) Key, Square	1
▲	13	22552	(000000-) Snap Ring	1
▲	14	22559	(000000-) Ball Bearing	1
▲	15	22560	(000000-) Ball, Steel	1
▲	16	22561	(000000-) Check Vlv Seat	1
▲	17	22564	(000000-) Spring	1
▲	18	22568	(000000-) Cap Assembly	1
▲	19	22572	(000000-) Gear Housing	1
▲	20	22573	(000000-) Release Plunger	1
▲	21	22577	(000000-) Spring	1
▲	22	22578	(000000-) Pin, Dowel	1
▲	23	22579	(000000-) Hex Cap	1
▲	24	22583	(000000-) Adjustment Scrw	1
▲	25	22585	(000000-) Valve Stem	1
▲	26	22588	(000000-) Plug, Steel	1
▲	27	22593	(000000-) Gear, Gc .875	2
▲	28	22594	(000000-) Ball, Steel	2
▲	29	22595	(000000-) Pin, Shear	1
▲	30	22596	(000000-) Idler Shaft	1
▲	31	22597	(000000-) Snap Ring	4
▲	32	74269	(000000-) Seal Kit, Hyd Pump	1
	33	IB3632	(000000-) Instr, Pump Seal Kit F/71576	1

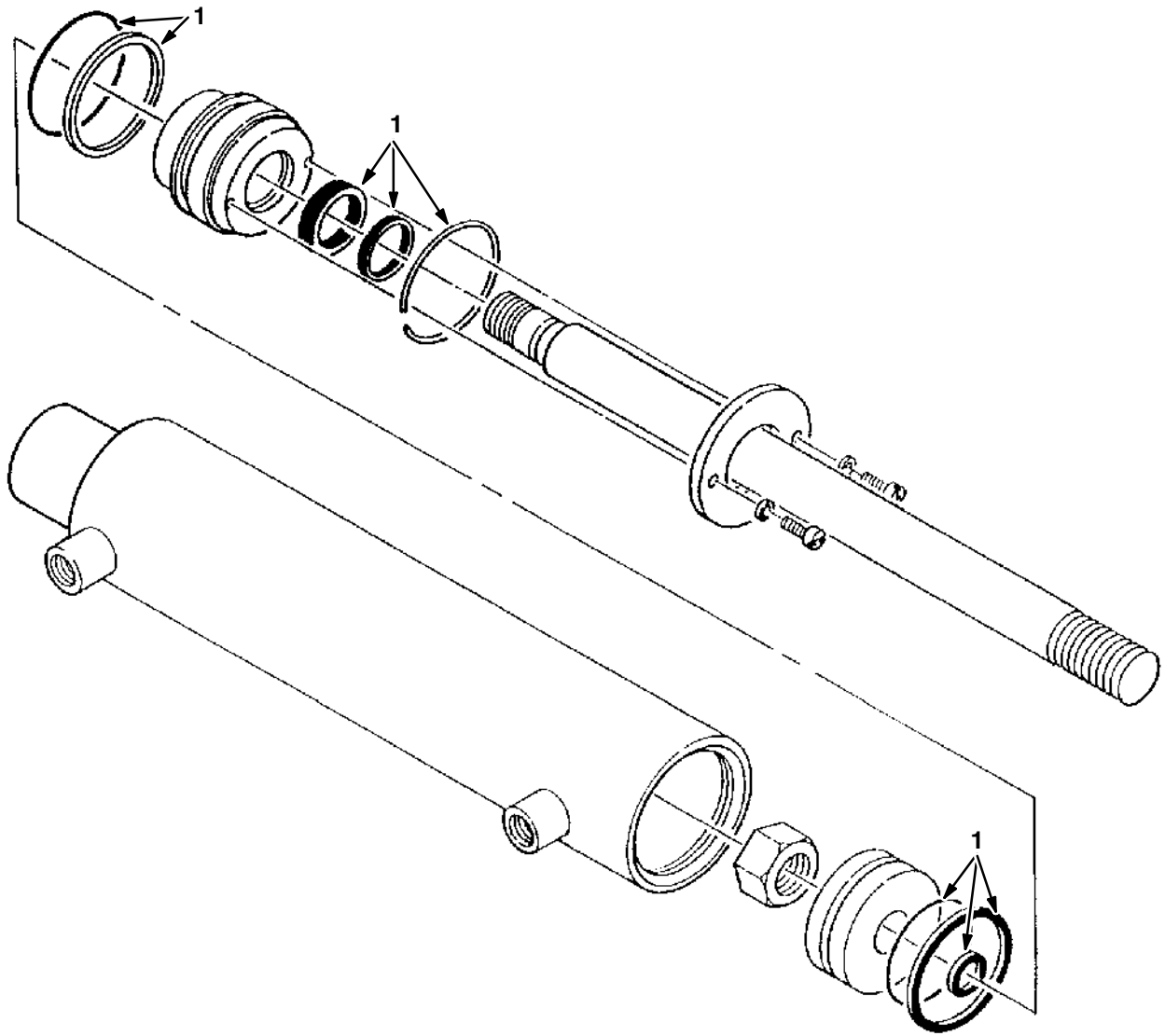
Fig. 3 - Hydraulic Steering Valve Breakdown, 74173



09670 - E

Ref.	Part No.	Serial Number	Description	Qty.
▽	74173	(000000-) Valve, Hydraulic Steering 07.3 0600	1
▲	1 74191	(000000-) Cap, Screw	7
▲	2 74181	(000000-) Cap, End	1
▲	3 71574	(000000-) Gerotor Set	1
▲	4 74182	(000000-) Plate, Wear	1
▲	5 58596	(000000-) Drive	1
▲	6 74218	(000000-) Pin	1
▲	7 74109	(000000-) Race, Bearing	2
▲	8 74110	(000000-) Bearing, Needle	1
▲	9 74112	(000000-) Retainer, Front	1
▲	10 74111	(000000-) Ring, Retaining	1
▲	11 74140	(000000-) Spacer	1
▲	12 74195	(000000-) Spring Kit	1
▲	13 74190	(000000-) Seal Kit	1
▲	14 74251	(000000-) Repair Info	1

Fig. 4 - Hydraulic Cylinder Breakdown, 54098



07494 - E

	Ref.	Part No.	Serial Number	Description	Qty.
▽		54098	(000000-) Cylinder, Hydraulic	1
▲	1	04483	(000000-) Seal Kit	1

Fig. 5 - Hydraulic Cylinder Breakdown, 361013

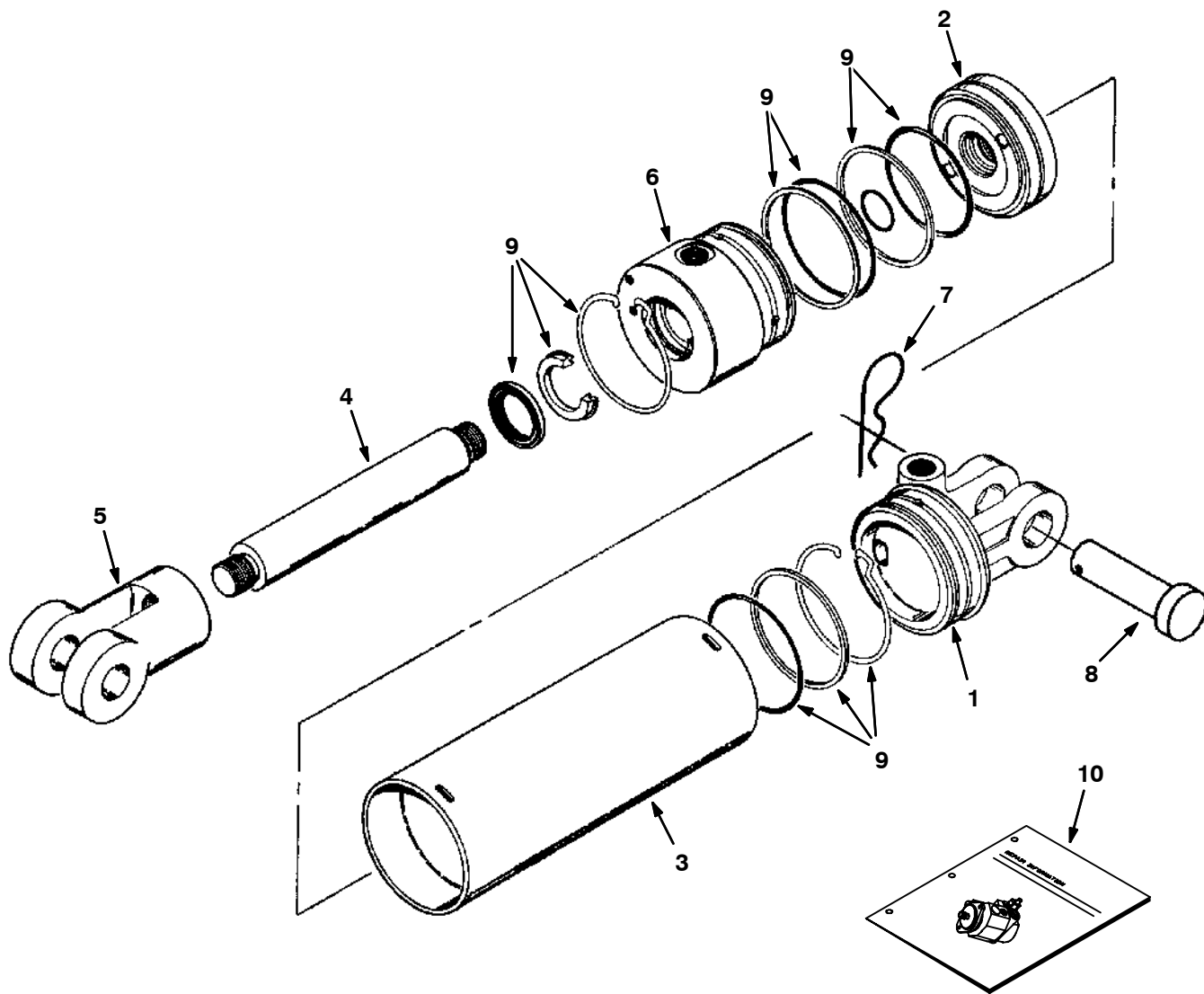


Fig. 5 - Hydraulic Cylinder Breakdown, 361013

	Ref.	Part No.	Serial Number	Description	Qty.
▽		361013	(000000-) Cylinder, Hyd 2.5B 13.5S 2500	1
▲	1	21964	(000000-) Head	1
▲	2	21965	(000000-) Piston	1
▲	3	21966	(000000-) Barrel	1
▲	4	21967	(000000-) Piston Rod	1
▲	5	21972	(000000-) Rod End	1
▲	6	21973	(000000-) Bearing	1
▲	7	87851	(000000-) Keeper	1
▲	8	21974	(000000-) Clevis Pin	1
▲	9	48577	(000000-) Seal Kit	1
	10	79784	(000000-) Repair Info,Cyl	1

Fig. 6 - Hydraulic Control Valve Breakdown, 361012

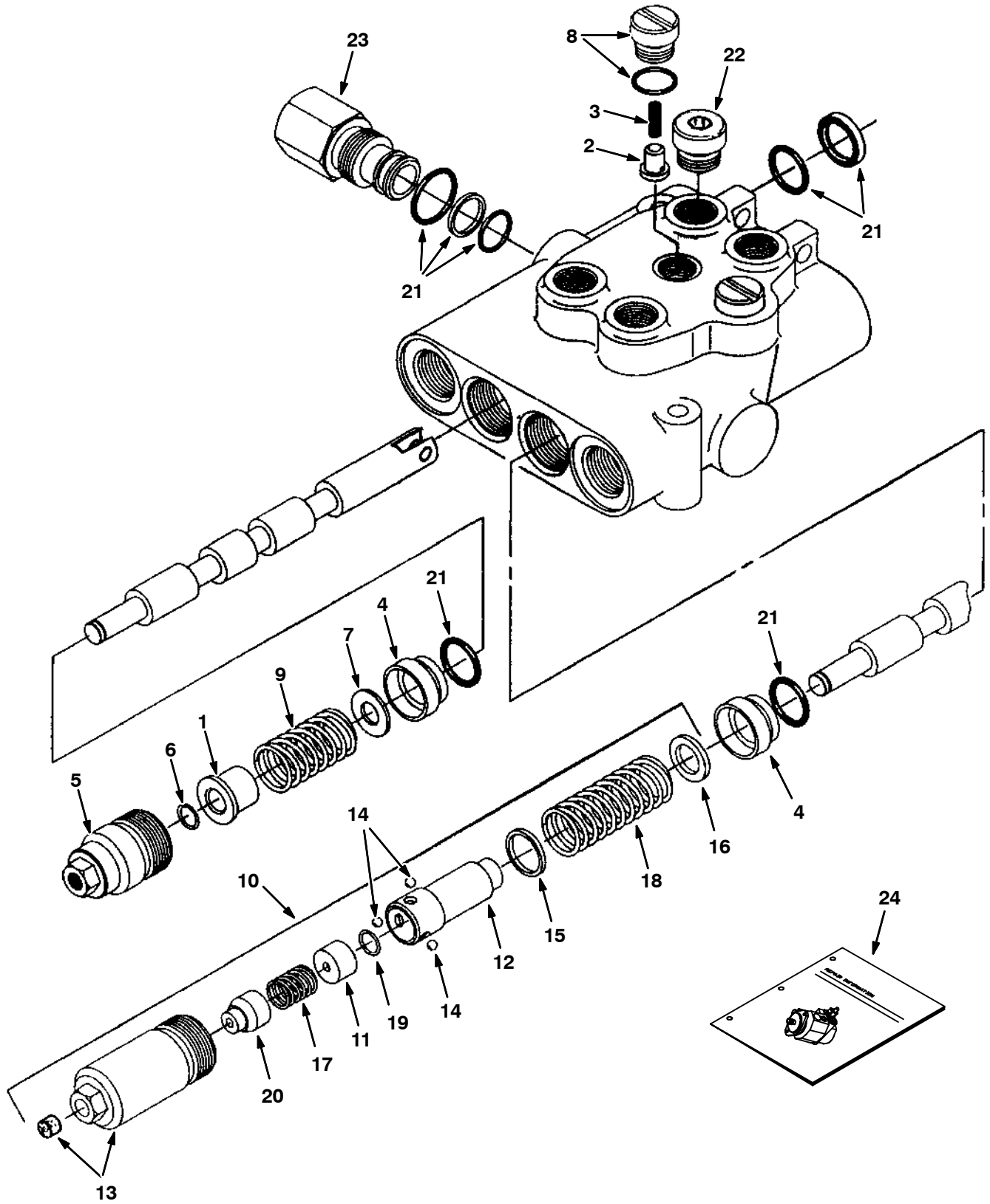


Fig. 6 - Hydraulic Control Valve Breakdown, 361012

	Ref.	Part No.	Serial Number	Description	Qty.
▽		361012	(000000-) Valve, Hyd Control Man	1
▲	1	79785	(000000-) Spacer	1
▲	2	79786	(000000-) Plunger	2
▲	3	79787	(000000-) Spring	2
▲	4	79788	(000000-) Bushing	2
▲	5	79789	(000000-) Cap Assembly	1
▲	6	79792	(000000-) Ring, Retaining	1
▲	7	79794	(000000-) Washer	1
▲	8	79795	(000000-) Plug & O-Ring	2
▲	9	79796	(000000-) Spring	1
▲▽	10	79814	(000000-) Kit, Detent In	1
▲▲	11	79801	(000000-) Spacer	1
▲▲	12	79802	(000000-) Detent Adaptr	1
▲▲	13	21961	(000000-) Cap Assembly	1
▲▲	14	79804	(000000-) Ball	3
▲▲	15	79805	(000000-) Washer	1
▲▲	16	79806	(000000-) Washer	1
▲▲	17	79807	(000000-) Spring	1
▲▲	18	79808	(000000-) Spring	1
▲▲	19	79792	(000000-) Ring, Retaining	1
▲▲	20	79800	(000000-) Cone	1
▲	21	79812	(000000-) Seal Kit, Vlv	1
▲	22	13904	(000000-) Plug Gage #6	2
	23	361028	(000000-) Plug Assy,Byd	1
	24	79820	(000000-) Instr. Valve Repair Info	1

Fig. 7 - Hydraulic Solenoid Control Valve Breakdown, 361029

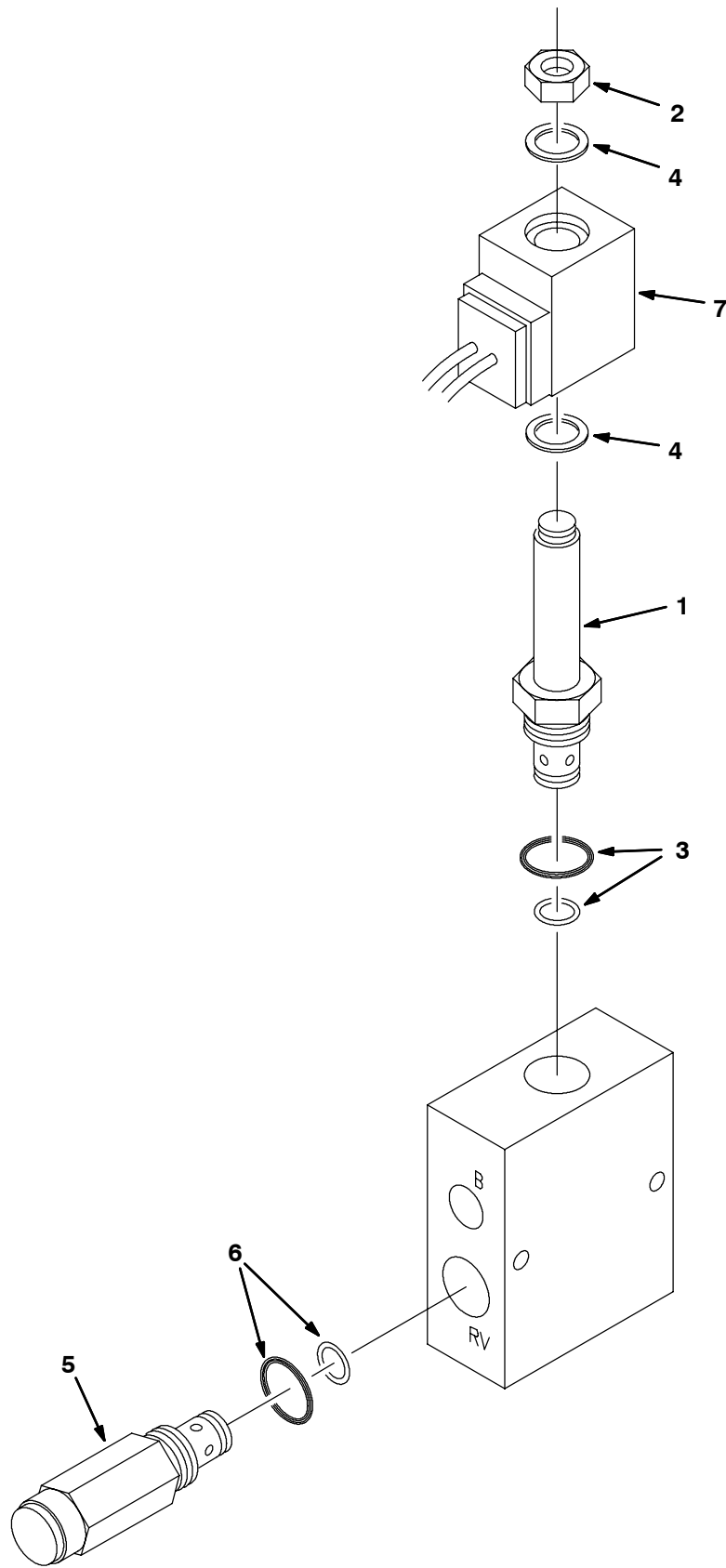
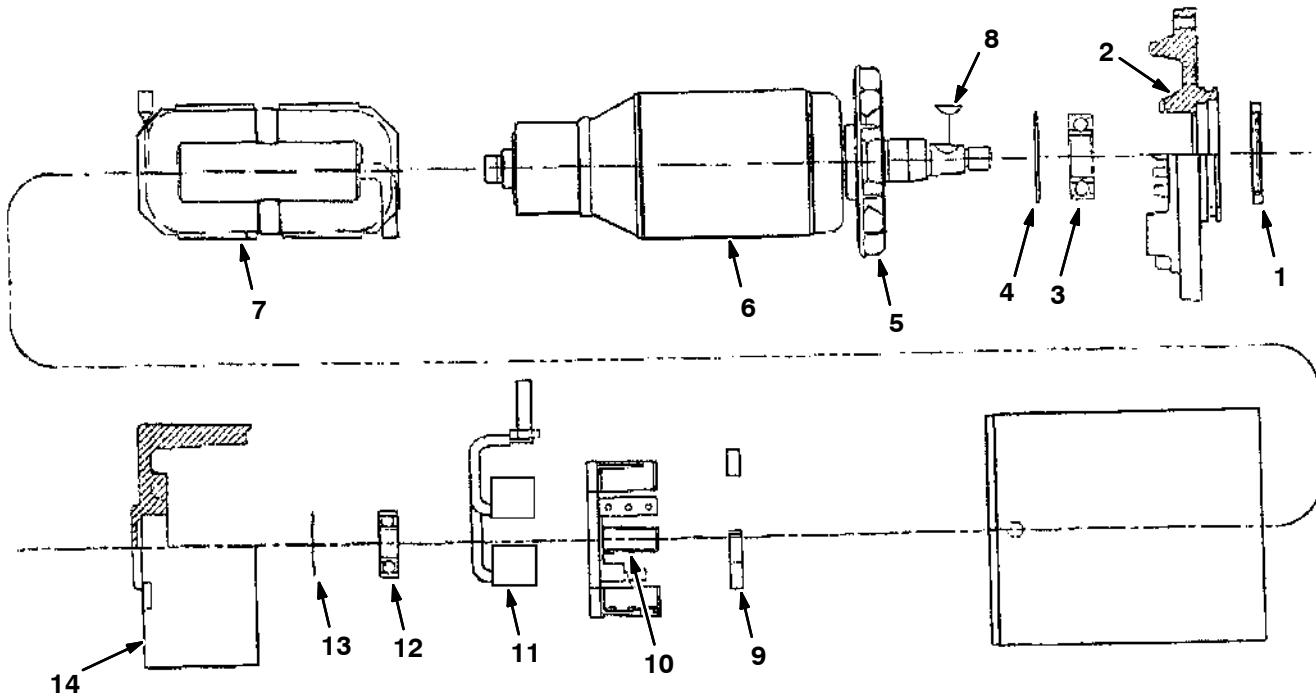


Fig. 7 - Hydraulic Solenoid Control Valve Breakdown, 361029

	Ref.	Part No.	Serial Number	Description	Qty.
▽		361029	(000000-) Valve, Hyd Cntrl Sol 1S05G1300	1
▲▽	1	21949	(000000-) Valve Stem 3W2P Cp	1
▲▲	2	79728	(000000-) Nut, Cart	1
▲▲	3	79711	(000000-) Seal Kit, Cart	1
▲▲	4	79740	(000000-) Seal Kit, Coil	1
▲▽	5	21950	(000000-) Cart, Psi Cn Cp	1
▲▲	6	79711	(000000-) Seal Kit, Cart	1
▲	7	21918	(000000-) Coil, 36V W/Var Cd	1

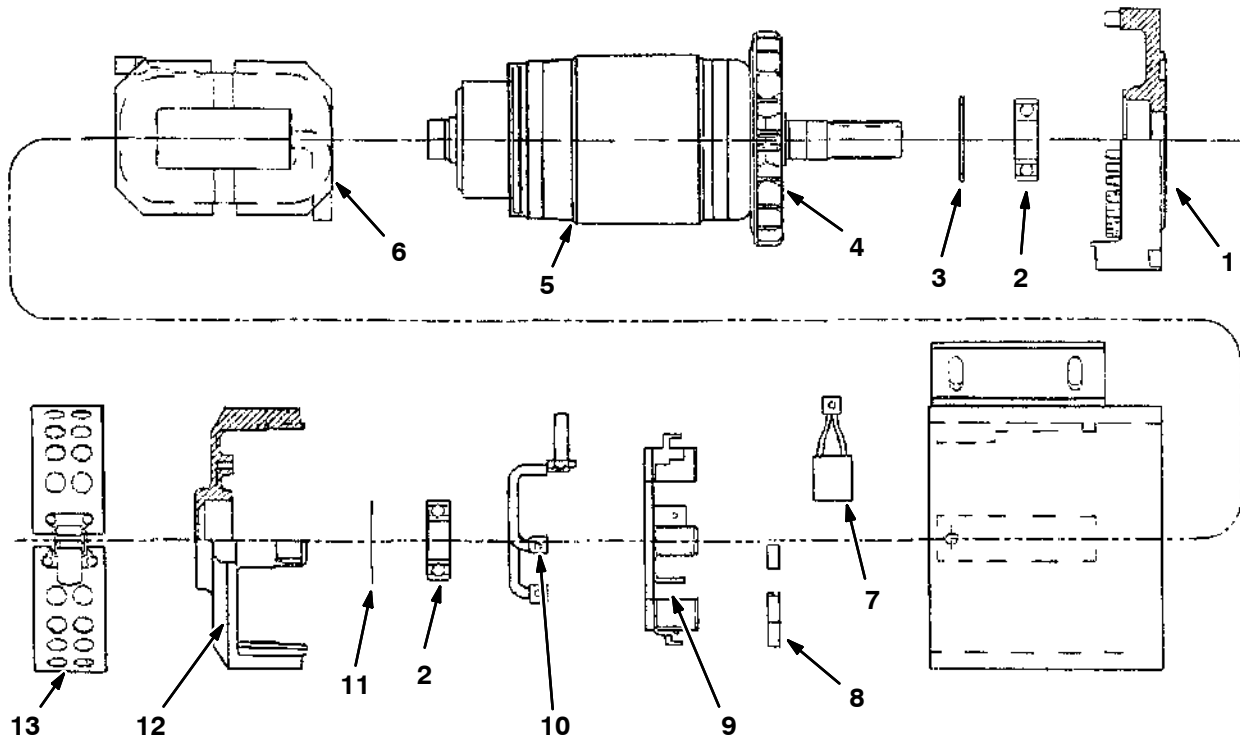
Fig. 8 - Electric Motor Breakdown, 360065



350403 - E

Ref.	Part No.	Serial Number	Description	Qty.
▽	360065	(000000-) Motor, Electric, 36VDC 2.1 HP	1
▲	1 361952	(000000-) Seal	1
▲	2 361953	(000000-) Drive Endhead	1
▲	3 48758	(000000-) Bearing	1
▲	4 361954	(000000-) Snap-Ring	1
▲	5 361955	(000000-) Fan	1
▲	6 361956	(000000-) Armature and Fan Assembly	1
▲	7 361957	(000000-) Field Coil Kit	1
▲	8 00500-7	(000000-) Key-Wdruff 0.16 0.662 Asa#0505	1
▲	9 361959	(000000-) Brush Spring	4
▲	10 361960	(000000-) Brush Box and Plate Assembly	1
▲	11 361961	(000000-) Lead Assembly Kit	1
▲	12 361962	(000000-) Bearing	1
▲	13 361963	(000000-) Wavy Washer	1
▲	14 361964	(000000-) Commutator Endhead	1

Fig. 9 - Electric Motor Breakdown, 360175



350405 - E

Ref.	Part No.	Serial Number	Description	Qty.	
▽	360175	(000000-) Motor, Electric, 36VDC 4.0 HP	1	
▲	1	361965	(000000-) Drive Endhead	1
▲	2	48758	(000000-) Bearing	1
▲	3	361954	(000000-) Snap-Ring	1
▲	4	361966	(000000-) Armature Fan	1
▲	5	361967	(000000-) Armature and Fan Assembly	1
▲	6	361968	(000000-) Field Coil Kit	1
▲	7	385742	(000000-) Brush, Motor, Ele [Av#a91-112e]	4
▲	8	48755	(000000-) Brush Spring	4
▲	9	361969	(000000-) Brush Box and Plate Assembly	1
▲	10	361970	(000000-) Lead Assembly Kit	1
▲	11	361971	(000000-) Wavy Washer	1
▲	12	361972	(000000-) Commutator Endhead	1
▲	13	361973	(000000-) Headband	1

Fig. 10 - Hydraulic Solenoid Control Valve Breakdown, 1049638

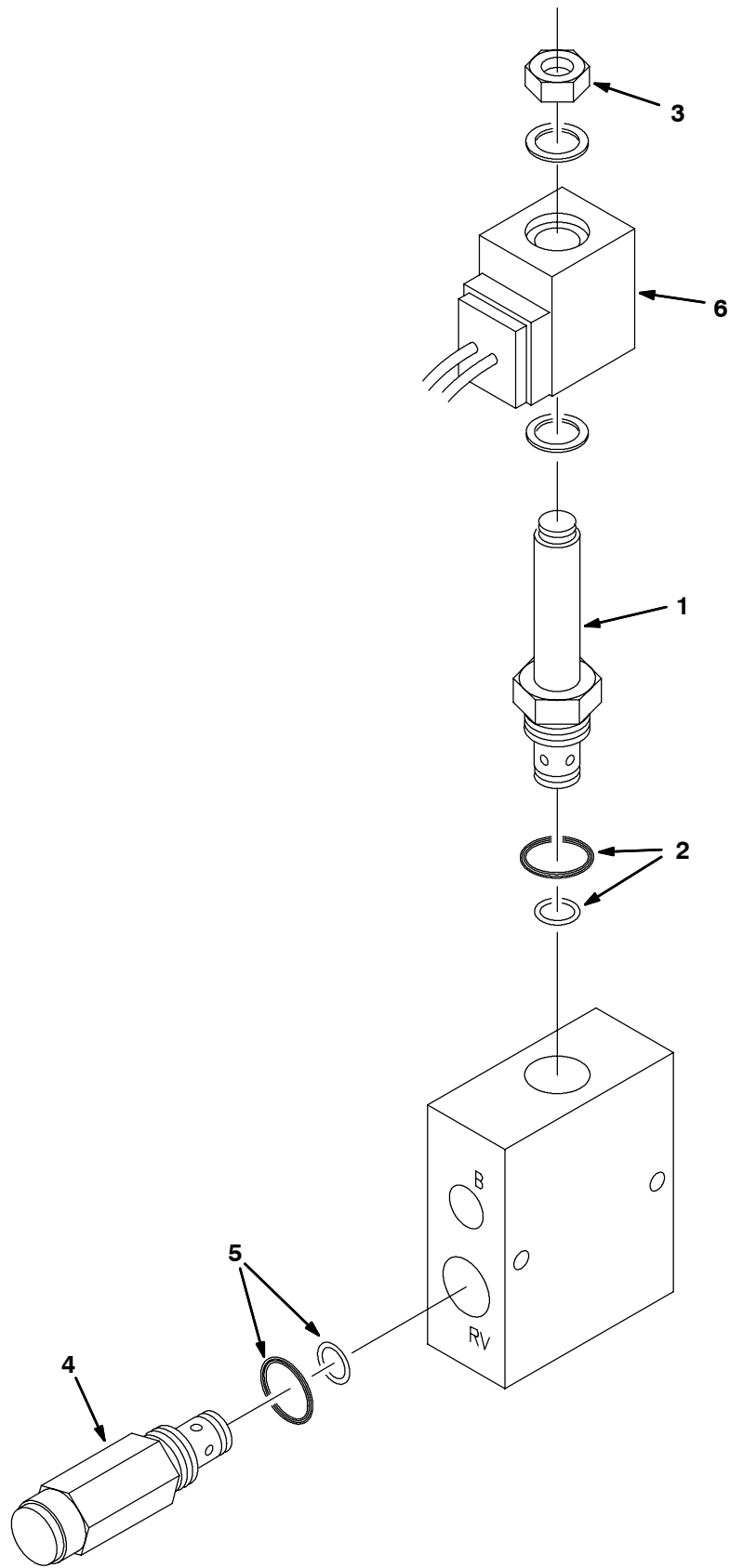


Fig. 10 - Hydraulic Solenoid Control Valve Breakdown, 1049638

	Ref.	Part No.	Serial Number	Description	Qty.
▽		1049638	(000000-) Valve, Cntrl, Hyd, Solenoid, 12vdc 06gpm	1
▲▽	1	1051080	(000000-) Stem, Valve, Hyd	1
▲▲	2	1051081	(000000-) Seal Kit, Cartridge	1
▲▲	3	1051078	(000000-) Nut, Valve, Cartridge	1
▲▽	4	1051082	(000000-) Valve, Cartridge, Relief	1
▲▲	5	1050780	(000000-) Seal Kit, Cartridge	1
▲	6	1051136	(000000-) Solenoid, Valve, Hyd, 36vdc	1

SECTION 5

CONTENTS

PAGE

PART NUMBER TO PAGE NUMBER CROSS REFERENCE LIST 5-2
PART DESCRIPTION TO PAGE NUMBER CROSS REFERENCE LIST 5-8

CROSS REFERENCE

PART NUMBER TO PAGE NUMBER CROSS REFERENCE LIST

Part Number	Page Number	Part Number	Page Number	Part Number	Page Number
IB3632	4-5	08085	2-33, 2-37, 2-41	1051080	4-17
MM432	3-30	08175	2-27, 2-31, 2-45	1051081	4-17
MM432ES	3-30	08179	2-39	1051082	4-17
MM432FR	3-30	08182	2-23, 2-25, 2-35,	1051136	4-17
MM432JP	3-30		2-53	10576	2-13
MM434	3-30	08298	2-47	10632-11	3-13
00500-10	2-45	08346	2-43	10632-12	3-5
00500-7	4-14	08361	2-47	10632-18	2-49, 2-51, 2-67, 3-7
00911	2-45	08708	2-15, 2-19, 2-21,	10632-4	3-13
00915	2-37		2-23, 2-25, 2-43,	10632-9	3-7
00928	2-35		2-45, 2-49, 2-55,	10664	3-13
00954	2-45		2-61, 3-7, 3-15	11329	2-13, 2-21
01366	2-74	08709	2-7, 2-25, 2-31,	11398	2-35
01684	2-35, 2-53, 3-13		2-35, 2-39, 2-41,	11631	2-35
01685	2-23, 2-53		2-47, 2-49, 2-51,	11843	2-45
01754	2-17, 2-19		2-53, 2-57, 3-7,	12263	2-23
01760	2-13		3-15, 3-18	12273	2-7, 2-35, 2-53,
02076	2-29, 2-37	08711	2-25, 2-35		2-55, 2-57
02356	2-37	08712	3-21	12277	2-35
02361	2-65	08713	2-29	12312	2-45
02431	2-7	08716	2-49	12317	2-49
02469	2-65	08793	3-3	12323	2-49
02850	2-55, 2-57, 3-13,	09007	3-21	12333	2-7, 2-55
	3-21	09010	2-7, 2-41, 2-53	12364	2-39
02863	3-16	09026	2-53, 2-57	12459	2-47, 2-53
03192	3-15	09028	2-41, 2-47	12540	2-29
03670	2-2, 2-3, 2-37	09037	2-27	13173	2-17
04186	2-35	09087	2-43	13534	2-35
04483	4-7	09088	2-33	13766	2-35
04706	2-21	09145	2-21	13904	4-11
06415	2-49	09146	2-19	14368	2-23
06419	2-35	09164	2-19	14397	2-23
06474A	2-23, 2-53	09206	3-13	14400	2-23
06549	2-45, 2-51, 3-7,	09244	3-10, 3-13	14595-1	2-25, 2-33, 2-41
	3-10, 3-13	09291	2-33	14605	2-25, 2-33, 2-41
06750	2-37	09740	2-9, 2-11, 2-23,	15008	2-67
			2-35, 2-49, 2-53	15331	2-41
06927	2-13, 3-21	09744	2-51	15675	2-11, 2-15, 2-51,
06933	3-7	09806	2-49		2-53, 2-55, 2-57
06942	2-21	1008142	2-17	15678	2-49, 3-9
06943	2-21, 2-23, 2-43,	1014605	2-13	15845	2-74
	2-45, 3-15	10157	3-23	15846	2-74
06949	2-25, 2-61, 2-62, 3-7	1026362	2-47	16082	2-41
06955	2-33	10362	2-45	16376	2-59
06956	2-31	1036631	2-27	16411	2-2
06957	2-47	1037207	2-2, 2-55, 2-57	16412	2-2
06961	3-17	1038176	2-53	16455	2-47
06968	2-25	1041444	2-57	16695	4-3
06977	2-35	1041551	2-57	16735	2-13, 2-17
06988	2-41	1041616	2-57	16931	2-13, 2-15, 2-17,
07259	2-27, 2-47	1041814	2-57		2-67, 3-7
07787	2-35	1041867	3-30	16949	2-15, 2-59
07790	2-62	1045858	2-19	17186	2-23
07791	2-13, 2-17, 2-23,	1046173	2-19	17404	2-47
	2-31, 2-43, 2-67,	1049243	2-55, 2-57	19065	2-55, 2-57
	3-5, 3-7, 3-15	1049638	2-62, 4-17	19066	2-19, 2-21, 2-45,
07792	2-47, 2-67, 3-15	1050780	4-17		3-7, 3-10, 3-13, 3-21
07793	3-11	1051078	4-17	19315	2-67
08013N	2-5				

CROSS REFERENCE

Part Number	Page Number	Part Number	Page Number	Part Number	Page Number
19324	3-15	23683	2-45	33933	2-17
20634	2-55, 2-57	23788	2-47	34195	3-13
20802	2-11	24593	3-15	34359	2-53
21918	4-13	24899	2-35	34877	2-47
21949	4-13	25005	2-43	35529	2-47
21950	4-13	25014	2-23	35973	2-35
21955	4-3	25312	3-16	360023	2-25
21956	4-3	25887	2-35	360026	2-51
21958	4-3	26395-1	2-67	360027	2-41
21961	4-11	26395-2	2-67, 3-3, 3-7, 3-21	360028	2-41
21964	4-9	27108	2-41	360042	2-49
21965	4-9	27985	2-15	360054	2-25
21966	4-9	27988	2-35	360062	2-61
21967	4-9	27990	2-37	360063	2-61
21972	4-9	28835	4-3	360064	2-47
21973	4-9	29499	2-41	360065	2-29, 4-14
21974	4-9	29584	2-39	360066	3-25
21983	4-5	30013	2-7, 2-11, 3-15	360071	2-25
21999	4-5	30251	2-35	360074	2-25
222114	2-19	30252	2-35	360077	2-47
222115	2-19	30253	2-35	360078	2-41
222290	2-74, 3-7	30255	2-35	360079	2-3, 2-39
222460	2-33, 2-39	30533	3-17	360081	2-41
222504	2-51	31354	4-3	360083	2-15
222505	2-39	31373	4-3	360097	2-59
222516	2-13	31597	2-65	360104	2-35
222534	2-19	31603	2-65	360107	2-35
222892	3-26	32029	3-13	360108	2-35
22290	2-21	32483	2-21, 2-23, 2-43, 2-67, 3-7	360109	2-35
22514	4-5	32485	2-23, 2-35, 2-37	360110	2-35
22515	4-5	32486	2-15, 2-23, 2-25, 2-41, 2-53, 3-11	360113	2-35
22518	4-5	32490	2-23, 2-49, 2-51, 2-59, 3-7, 3-10, 3-15, 3-18	360114	2-35
22521	4-5	32491	2-9, 2-11, 2-13, 2-15, 2-17, 2-25, 2-31, 2-33, 2-35, 2-39, 2-41, 2-43, 2-49, 2-51, 2-53, 2-57, 3-7	360115	2-35
22522	4-5	32492	2-33, 2-37, 2-39, 2-41, 2-45, 2-47, 2-49, 2-51, 2-53, 3-15	360116	2-35
22532	4-5	32497	2-67	360120	2-35
22540	4-5	32523	2-15	360132	2-35
22541	4-5	32525	2-45	360134	2-2, 2-3, 2-7
22543	4-5	32525	2-45	360136	2-2, 2-3, 2-7
22544	4-5	32598	2-47	360137	2-7
22552	4-5	32899	2-25, 2-33, 2-41	360138	2-7
22559	4-5	32960	2-9, 2-11	360144	2-31
22560	4-5	32981	2-59	360145	2-11
22561	4-5	32982	2-67	360175	2-37, 4-15
22564	4-5	32983	2-15	360176	2-27
22568	4-5	32987	2-27, 2-35	360177	2-27
22572	4-5	330715	3-30	360178	2-37
22573	4-5	33342	2-41	360179	2-37
22577	4-5	33372	2-45	360180	2-37
22578	4-5	33932	2-49	360181	2-45
22579	4-5			360182	2-23
22583	4-5			360183	2-23
22585	4-5			360184	2-17
22588	4-5			360185	2-53
22593	4-5			360191	2-49
22594	4-5			360192	2-49
22595	4-5			360193	2-49
22596	4-5			360194	2-49
22597	4-5			360199	2-2, 2-3, 2-55, 2-57
22892	3-26			360201	2-7
23498	2-43, 2-45			360270	2-25

CROSS REFERENCE

Part Number	Page Number	Part Number	Page Number	Part Number	Page Number
360271	2-25	360491	2-33, 2-35	360831	2-15
360272	2-25	360492	2-35	360839	3-11
360273	2-25	360500	3-3	360844	2-2, 2-3, 2-53
360274	2-25	360503	2-74	360848	2-53
360275	2-25	360504	3-5	360856	2-17
360276	2-25	360513	2-74	360867	2-21
360280	2-9, 2-11	360516	2-74	360873	2-15
360283	2-9, 2-11	360518	3-9	360883	3-15
360284	2-9, 2-11	360520	3-3, 3-5	360887	2-59
360297	3-27	360521	3-9	360888	2-53
360298	2-29	360602	2-51	360889	2-51
360309	2-13	360603	2-2, 2-3, 2-53	360890	2-49
360319	2-9	360604	2-49, 3-9	360893	2-49
360320	2-2, 2-3, 2-35	360605	2-49	360894	2-49
360327	2-2, 2-3, 2-49	360606	2-53	360903	2-47
360328	2-49	360608	2-51	360906	2-17
360332	2-51	360610	2-51	360908	2-49
360333	2-53	360630	3-17	360909	3-9
360334	2-49	360631	2-39	360910	3-9
360335	2-49	360633	2-25	360912	3-21
360336	2-2, 2-3, 2-53	360637	2-31	360915	3-21
360337	2-53	360655	2-43	360917	2-45
360338	2-53	360658	2-43	360928	2-17
360340	2-53	360660	2-43	360930	2-39
360342	2-13	360665	2-45	360932	3-17
360345	2-25	360666	2-45	360933	3-15
360347	2-35	360671	2-37	360935	2-25
360352	2-25	360672	2-29	360938	3-21
360357	2-41	360673	3-27	360941	2-51
360361	2-13	360678	2-43	360943	2-49, 3-21
360369	2-13	360680	2-29	360949	2-55
360370	2-13	360686	2-2, 2-3, 2-37, 2-45	360952	2-55
360386	2-47	360687	2-37	360955	2-55
360388	2-3, 2-9, 2-11	360688	3-23	360957	2-55, 2-57
360392	2-11	360689	3-23	360958	3-9
360395	2-9	360693	2-29	360961	2-39
360406	3-29	360704	2-13	360962	3-11
360408	2-35	360711	2-21	360973	2-13, 3-3, 3-7, 3-15, 3-16
360410	2-39	360712	2-17	360977	2-3, 2-43
360411	2-39	360742	2-17	360979	2-3, 2-43
360413	2-33, 2-39	360753	3-29	360980	2-29
360414	2-39	360761	2-2, 2-3, 2-11	360981	2-43
360417	2-39	360765	2-3, 2-45	360989	2-74
360421	2-53	360768	2-47	360991	2-3, 2-59
360424	2-53	360774	2-31	360992	3-24
360426	2-49	360781	2-7, 2-11	360994	2-67
360427	2-53	360782	2-2, 2-3, 2-7	361012	2-61, 4-11
360428	2-51	360784	2-2, 2-3, 2-9	361013	2-47, 4-9
360429	2-49	360786	2-2, 2-3, 2-49	361020	2-37, 4-5
360430	2-49	360795	3-11	361023	2-3, 2-59
360434	2-53	360798	3-11	361026	2-41, 4-3
360435	2-53	360801	2-39, 2-41	361028	2-61, 4-11
360436	2-51	360802	2-25	361029	2-62, 4-13
360449	2-39	360808	2-55	361031	2-65
360451	2-39	360809	2-55	361032	2-65
360454	2-33, 2-39	360820	2-55	361038	2-65
360455	2-47	360821	2-33	361039	2-65
360460	2-31, 2-33	360823	3-9	361045	2-65
360467	2-61	360824	2-51	361048	2-65
360488	2-33	360826	2-51		

CROSS REFERENCE

Part Number	Page Number	Part Number	Page Number	Part Number	Page Number
361053	2-65	361327	3-29	36658	2-55, 2-57
361054	2-51	361329	3-15	36661	2-55, 2-57
361065	2-75	361330	3-15	36801	2-23
361070	2-41	361331	3-15	369702	2-43
361071	2-19	361332	3-15	369810	3-19
361073	2-19	361333	2-51	370010	2-5
361074	2-19, 3-10, 3-13	361339	2-49, 2-53	370025	2-5
361084	2-41	361346	2-7	370153	2-55
361085	2-33	361550	2-13	375019	2-43
361086	2-65	361554	2-13	375020	2-31
361096	2-3, 2-33	361555	2-35	375133	2-49
361097	2-3, 2-33	361670	3-15	375134	2-49
361107	2-75	361671	3-11	375212	2-3
361110	2-75	361672	3-11	375411	2-13
361114	2-33	361673	3-11	37555	4-3
361121	2-7	36192	2-3, 2-13	377324	2-19
361128	2-75	361926	3-29	377433	2-19
361135	2-31	361932	3-29	377537	2-2
361140	3-10, 3-13	361935	3-29	377538	2-2
361141	3-10, 3-13	361936	3-29	377540	2-2
361146	3-18	361937	3-29	382516	2-19
361150	3-13	361944	3-5	383165	2-19
361163	2-33	361952	4-14	385742	4-15
361164	2-15	361953	4-14	385947	2-5
361165	2-15	361954	4-14, 4-15	386810	3-7
361168	3-23	361955	4-14	387376	2-45
361169	3-23	361956	4-14	387387	2-45
361170	3-23	361957	4-14	387388	2-45
361179	2-45	361959	4-14	387389	2-45
361187	2-23	361960	4-14	39005	2-33
361191	3-29	361961	4-14	391803	2-13
361196	3-29	361962	4-14	39277	2-25, 2-31, 2-33, 2-37, 2-43, 2-51, 3-5, 3-15
361198	3-13	361963	4-14	39278	2-29
361210	3-16	361964	4-14	39283	2-37, 2-45, 2-67
361211	3-16	361965	4-15	39308	2-23
361236	2-2	361966	4-15	39311	2-55
361237	2-2	361967	4-15	39338	2-45
361238	2-2	361968	4-15	39346	2-39
361239	2-2	361969	4-15	39349	2-9, 2-11, 2-13, 3-5, 3-15
361241	2-2	361970	4-15	39350	2-27
361242	2-2	361971	4-15	39396	2-41
361250	2-21	361972	4-15	39527	2-27, 2-35
361268	3-15	361973	4-15	39658	2-19
361271	2-59	361976	3-3, 3-5	39780-2	3-13
361272	2-45	361992	3-29	40607	3-13
361274	2-47	361993	3-29	40758	2-7
361276	2-47	361994	3-29	41169	2-11
361277	2-67	361995	3-29	41178	2-49, 3-15
361284	3-11	36328	2-47	41186	2-37
361285	3-11	363502	2-9	41187	2-37
361289	3-10	364080	3-26	41342	3-7, 3-18
361291	2-37	364081	3-26	41346	2-29, 3-11
361292	3-15	364082	3-26	41359	2-23
361294	2-17	36555-1	3-23	41409	3-23
361295	2-47	366016	3-7	41430	2-23, 2-35, 2-37, 2-39, 2-47, 2-49, 2-51, 3-17
361299	2-61	366023	3-7		
361300	2-17	366036	3-7		
361301	3-3	366072	2-3		
361303	3-5	366084	2-11		
361306	2-9	36643	2-35		

CROSS REFERENCE

Part Number	Page Number	Part Number	Page Number	Part Number	Page Number
41561	2-45	53984	2-41	70218	2-21
41619	2-49	54009	3-21	70219	2-21
42120-1	2-47	54012	3-21	70622	2-21
42120-4	2-27	54098	4-7	70709	2-21
42124	3-21	54121	2-55, 2-57	70717	2-21
42215	2-21	54390	2-25	71126	2-39
42227	2-59	54395	2-13	71519	2-75
43454	2-15	54995	2-31, 2-39	71552	2-65
43611	2-23	55248	2-49	71556	2-65
43958	2-27	55619	2-59	71557	3-29
44078	2-19, 2-43	55685	2-61	71574	4-6
44166	3-21	55740	2-3, 2-59	72040	2-29
44681-1	3-3, 3-5	55779	2-35	72082	2-23
44681-2	3-3, 3-5	55808	2-29	72084	2-23
44681	3-3, 3-5	55965	3-21	72164	3-7
44906	2-23	56185	2-21	72171	3-7
44961	3-24, 3-25	56398	2-21	72172	3-7
45272	3-3, 3-5	56690	2-21	72439	2-15
45283	3-3, 3-5	56692	2-59	72968	2-2, 2-7, 2-49
45391	3-7	56820	2-27, 2-47, 2-62	73027	2-21
45628	4-3	56821	2-41, 2-59	74068	3-5
46140	2-43	56835	2-21	74077	2-49
46481	2-59	57167	2-19	74094	4-3
46559	2-41	57496	2-37, 3-29	74100	4-3
47501	2-41	57751	2-19, 3-3, 3-5, 3-9	74109	4-6
47504	2-21	57803	2-19, 3-3, 3-5, 3-9	74110	4-6
47522	2-27, 2-62	57972	2-65	74111	4-6
47585	2-21	57974	2-65	74112	4-6
47638	2-47, 2-61	58056	2-27	74140	4-6
47655	2-59	58596	4-6	74142	2-21
47752	2-62	59431	2-5	74173	2-21, 4-6
47753	2-41	59432	2-5	74181	4-6
47985	3-24, 3-25	59542	2-47	74182	4-6
48577	4-9	59633	2-41	74190	4-6
48732	2-47	59870	2-61	74191	4-6
48755	4-15	59965	3-10, 3-13	74195	4-6
48758	4-14, 4-15	61791	2-29	74218	4-6
48763	3-11	63416	2-61	74250	4-3
49145	2-25	64173	2-39	74251	4-6
49263	2-19, 2-21, 2-27	64379	2-53	74269	4-5
49266	2-41, 2-43, 2-49, 2-53, 2-67, 3-3, 3-5, 3-13	64425	2-41	74454	2-45
49300	2-43	64631	2-21	74455	2-37, 2-47, 2-53, 2-67, 3-10, 3-13, 3-29
49681	2-23	64655	2-21	75128	2-13
49697	2-49, 2-55, 2-57	64886	2-27	75430	2-23
49826	2-9, 2-11, 2-55	65221	3-13	75939	2-43
49924	2-37	65230	4-3	75968	2-21
50480	3-23	65665	3-13	76062	2-67
50616	3-7	65780	3-26	76316	2-59, 2-62
50902	2-37, 2-45	65781	3-26	76570	2-39
50960	2-37	65782	3-26	76762	2-65
51109	2-25	65870-1	2-3	76888	2-19
51225-1	2-53	67004	3-21	76960	2-15
51529	2-31	67683	2-61, 2-62	77097	2-53
51564	2-35	67767	2-7, 2-17	77235	3-19
51813	2-39	69234	2-17	78553	3-13
52296	2-31	69924	2-27	78811	2-65
52402	2-37, 2-61	69925	2-27	79246	2-53
52508	2-35	69926	2-27	79711	4-13
		69928	2-27		
		70006	2-59		

Part Number	Page Number	Part Number	Page Number
79728	4-13	87507	2-67
79740	4-13	87515	2-67
79784	4-9	87536	2-19
79785	4-11	87546	2-55, 2-57
79786	4-11	87558	2-74
79787	4-11	87561	2-74
79788	4-11	87564	2-74
79789	4-11	87581	2-15
79792	4-11	87584	2-43
79794	4-11	87607	3-24, 3-25
79795	4-11	87624	2-45
79796	4-11	87631	2-35
79800	4-11	87689	2-2, 2-3, 2-53
79801	4-11	87707	2-43
79802	4-11	87725	2-23
79804	4-11	87749	2-29
79805	4-11	87750	2-29
79806	4-11	87838	2-45, 3-29
79807	4-11	87839	2-29
79808	4-11	87840	2-29
79812	4-11	87841	2-29
79814	4-11	87849	2-29
79820	4-11	87851	4-9
82739	3-13	87866	2-3, 2-19
82747	2-7	87948	3-9
82819	2-65	87949	3-9
82833	2-27, 2-53	87983	2-43
84581	2-41	97031	2-25
86029	2-41		
86328	2-47		
86332	3-5		
86375	2-67		
86377	3-7		
86379	2-67		
86398	2-74		
86417	2-67		
86444	2-11		
86659	2-25		
86798	2-23		
87097	2-5		
87099	2-5		
87104	2-53		
87180	2-7		
87181	2-2, 2-3, 2-7		
87216	2-47		
87244	2-47		
87258	2-67		
87299	2-45		
87308	2-15, 2-55		
87318	2-67		
87333	2-5		
87334	2-5		
87346	3-9		
87349	3-9		
87355	2-29		
87359	2-29		
87482	2-67		
87483	2-67		
87495	2-74		
87496	2-74		

PART DESCRIPTION TO PAGE NUMBER CROSS REFERENCE LIST

A

Accelerator Unit,, 2-23
 Adaptor Wldt, Vac Wand, 3-21
 Adjustment Scrw, 4-5
 Angle, Bottom Stiffener, 2-49
 Angle, Cable Keeper, 2-33, 2-39
 Angle, Guide, 2-13
 Angle, Mtg, Latch Pin, 2-15
 Angle, mtg, vac fan muffler, 3-29
 Arm Assy, Lift W/Label, 2-47
 Arm Wldt, Lh, 2-35
 Arm Wldt, Lift, 2-41
 Arm Wldt, Rh, 2-35
 Arm, Brush, Adj, Lh, 2-39
 Arm, Brush, Adj, Rh, 2-39
 Arm, Idler, 2-35
 Arm, Safety, W/Label, 2-47
 Arm, 2-23
 Armature and Fan Assembly, 4-14, 4-15
 Armature Fan, 4-15

B

Backing Plate Kn, 2-25
 Backup Alarm Kit 6400, 36 V, 3-7
 Ball Bearing, 4-5
 Ball Joint M6X1.0, 2-23
 Ball, Steel, 4-5
 Ball, 4-11
 Bar-Fit .06T 1.00W 4.00L,Rbr, 2-55
 Bar-Fit .06T 4.00W 5.00L,Rbr, 2-55
 Barrel, 4-9
 Battery, 18V, 340 Ah, Wet, 3-25
 Battery, 18V, 440 Ah, Wet, 3-24
 Battery, 6V,Res Cap:187M Wet, 3-23
 Bearing & Housing, 2-29
 Bearing, .750 Bore, 2-35
 Bearing, .625 X .25, 2-33, 2-35
 Bearing, Ball, 0.67B 1.57D 0.47W, 2-45
 Bearing, Du, 4-5
 Bearing, Flange .500B, 2-21
 Bearing, Journal, 2-47, 2-53
 Bearing, Needle, 4-6
 Bearing, Thrust - Fiberglide, 2-41
 Bearing,.50X.38, 2-39
 Bearing-Ball,0.67B 1.57D 0.47W, 2-45
 Bearing-Ball,0.98B 2.05D 0.59W, 2-35
 Bearing-Ball,1.18B 2.44D 0.63W, 2-25
 Bearing-Ball,1.38B 2.83D 0.67W, 2-35
 Bearing-Flange, .500Bore .38L, 2-45
 Bearing-Flange,2 Hole 0.50Bore, 2-21
 Bearing-Self Align 1.250 Bore, 2-47
 Bearing-Self Align,1.000 Bore, 2-27
 Bearing, 4-9, 4-14, 4-15
 Bellows, Solenoid .75-16, 2-43
 Belt, Brush Drive, 2-2, 2-35
 Belt, fan drive, 3-29
 Belt, Seat, 3-17
 Belt, V 3VI - 540, 2-2
 Belt, V, 3V X 335, 2-2, 2-37, 2-45

Belt, V, 2-3
 Belt, 2-3
 Block, Adjusting, 2-31
 Block, 2-39
 Bolt-Eye, .38-16Th .28B 3.22L, 2-45
 Boot, 90 Deg .50D .57x.84, 2-37
 Boot, 90Deg .50D .57X .84, 2-29
 Boot, Circuitbreaker, 2-19
 Boot, Switch, Ignition, 2-19
 Boot, Switch, 2-19
 Boot,Circuit Breaker, 2-19, 3-3, 3-5, 3-9
 Bracket Wldt, Duct, 2-43
 Bracket Wldt, Hinge, 2-51
 Bracket Wldt, Latch, 2-15
 Bracket Wldt, Mtg, Motor, 2-37
 Bracket Wldt, Sbdc, 3-15
 Bracket Wldt, Sppt, Shagr, 2-57
 Bracket Wldt, Steering, Tilt, 2-21
 Bracket Wldt, Suppt, Ele Panel, 2-67
 Bracket, Alarm, Backup, 3-7
 Bracket, Angle, 2-17
 Bracket, Auto Brush Lift, 2-33
 Bracket, Clip, 2-51
 Bracket, Cylinder, Mtg, 2-53
 Bracket, Door, Indicator, 3-10, 3-13
 Bracket, Guard, 2-47
 Bracket, Hinge, Brush Door, 2-9, 2-11
 Bracket, Mtg, Back Plate, Rh, 2-53
 Bracket, Mtg, Bearing, 2-35
 Bracket, Mtg, Motor, 2-41
 Bracket, Mtg, Pedal, Lh, 2-23
 Bracket, Mtg, Pedal, Rh, 2-23
 Bracket, Mtg, Vac Fan, 2-45
 Bracket, Mtg, 2-41
 Bracket, Sbdc, 3-15
 Bracket, Seat Adjuster, 2-13
 Bracket, Shaker Switch, 2-43
 Bracket, Stop, Brush Door, 2-9, 2-11
 Bracket, Support, Battery, 3-23
 Bracket, Support, Cover, 2-49, 2-51
 Bracket, Support, Shaker, 2-55
 Bracket, Vac Wand, 3-21
 Bracket, Wldt, Brush Stop, 2-11
 Bracket,Mtg, Back Plate, Lh, 2-53
 Bracket, 2-59
 Brake Assy, 2-25
 Breaker-Circuit, 15A Resetable, 2-19, 3-3, 3-5, 3-9
 Breather, Hyd Cap 5.2Ds Chain, 2-59
 Breather, Hyd, 2-3
 Brush Box and Plate Assembly, 4-14, 4-15
 Brush Spring, 4-14, 4-15
 Brush, Motor, Ele [Av#a91-112e], 4-15
 Brush-Side Swp, Flatwire, 2-5
 Brush-Side Swp, Polypropylene, 2-5
 Brush-Side Swp, Soft Nylon, 2-5
 Brush-Sweep, Natural Fiber, 2-5
 Brush-Sweep, Polyester, 2-5
 Brush-Sweep, Polypropylene and Wire, 2-5

Brush-Sweep, Polypropylene, 2-5
 Brush-Sweep, Wedge, Polypropylene, 2-5
 Brush-Sweep, Window, Polypropylene, 2-5
 Bulb, 12V .27A 2Cp #194, 3-9
 Bulb, 40V .9A 50Cp #1062, 3-3, 3-5
 Bulb, Sp-7, 3-9
 Bumper Wldt, Front, 2-51
 Bumper, Rubber, 2-11, 2-13
 Bushing Assy, Fng, 4 Hole, 1.57B, Stl, 2-45
 Bushing, Door Pivot, 2-53
 Bushing,B20 D22 L24, 2-25
 Bushing, 4-11
 Buss Bar, Fuse, 2-67
 Buss Bar, Relay, 2-67

C

Cable Assy, Clevis & Eye, 2-33
 Cable Assy, Clevis & Stud, 2-33
 Cable Assy-Batt,+&-, 40.0, 4Ga, 3-23
 Cable Assy-Batt,42E&Hd,Wire#1, 3-23
 Cable, Clevis, 2-3
 Cable, 2-3, 2-39, 2-41
 Cabletie Mount, Adhesive, 2-49
 Cam,Nickel Plated Kn, 2-25
 Cap Assembly, 4-5, 4-11
 Cap Screw, 4-3
 Cap, End, 4-3, 4-6
 Cap, Hub, 2-25
 Cap, Screw, 4-6
 Cap, Steering Wheel, 2-21
 Cap, Tube, 2-21
 Cap, 2-35
 Cart,Psi Cn Cp, 4-13
 Chain,Jack#12, 6Links,Znc, 3-21
 Chain,Link#2/08 5Links,Br.Zinc, 2-7
 Channel Wldt, Ohg, Lh, 3-11
 Channel Wldt, Ohg, Rh, 3-11
 Channel, Latch, 2-15
 Channel, Mounting, Steering La, 2-21
 Channel, Recirculation Flap, 2-7
 Channel, Support, Battery, 3-23
 Channel, 2-45
 Charger, 45A / 50-60H/1Ph, 3-26
 Charger, 50A / 50H/1Ph, 3-26
 Charger, 50A/60H/1Ph,, 3-26
 Charger, 75A / 50H/3Ph, 3-26
 Charger, 75A /60H/1Ph, 3-26
 Charger, 75A/60H/3Ph, 3-26
 Check Vlv Seat, 4-5
 Circuitbreaker, 15a, Resetable, 2-19
 Clamp, Cable 1.5 Dia, 2-47
 Clamp, Cable, 0.69D 0.62W Stl, 2-7
 Clamp, Cable, 3-7
 Clamp, Steering, 2-29
 Clamp-Cable, 0.38Dia 0.38Wth, 2-67, 3-3, 3-21
 Clamp-Cable, 0.56Dia 0.38Wth, 2-67
 Clamp-Cable, 1.00Dia. .62Wth, 2-17

Clamp-Cable,.69Dia. 62Wth, 2-17
 Clamp-Wormdrive, 2.63- 4.50D, 2-43, 2-45
 Clevis Pin, 4-9
 Clevis,Adjust.0.25-28Th.Cad., 2-25, 2-33, 2-41
 Clip Spring Prop Arm, 2-47
 Clip-Finger Grip, 3-21
 Coil, 36V W/Var Cd, 4-13
 Column, Steering 12", 2-21
 Commutator Endhead, 4-14, 4-15
 Cone, 4-11
 Connector, Gray, 3-26
 Connector, Andersn 175Amp, orng, 3-25
 Connector, Orange 175A, 3-24
 Contact, Switch, 3-13
 Contactor, 36 Volt/Spdt, 2-67
 Contactor, 36 Volt/Spno, 2-67
 Contactor, 3-7
 Controller 36 Vdc, 2-67
 Cord, Sponge, 2-3
 Cover, Hopper, 2-51
 Cover,Elec. Components, 2-67
 Crescent Ring, 4-5
 Cylinder, Hyd 2.5B (See Breakdowns), 2-47
 Cylinder, Hyd 2.5B 13.5S 2500, 4-9
 Cylinder, Hyd, 2.0b 08.0l 04.00strk 2500, 2-53
 Cylinder, Hyd, 2.0b 19.0l 12.00strk 1500, 2-27
 Cylinder, Hyd, Hopper Lift, 2-47
 Cylinder, Hydraulic, 4-7

D

Damper Plate, 2-43
 Damper Weld., 2-43
 Deflector, Hopper, Lh, 2-49
 Deflector, Hopper, Rh, 2-49
 Detent Adaptr, 4-11
 Diode, Elec, Plug, 2-74
 Diode, Electric Plug, 2-74
 Door Wldt, Dump, 2-53
 Door Wldt, Lh, 2-11
 Door Wldt, Rh, 2-9
 Door, Access W/Label, 2-49
 Drive Endhead, 4-14, 4-15
 Drive Shaft, 4-5
 Drive, 4-3, 4-6
 Driving Gear, 2-29
 Duct, Vinyl 26.0", 3-5
 Duct, Vinyl, 14" Lg, 3-5
 Dust Control Kit, Side Brush, 3-15

E

Element, Filter, 3-13
 End Housing, 4-5
 Extinguisher Kit, Fire 6400, 3-16
 Extinguisher, Fire, 3-16

F

Fan Wldt, Housing, 2-45
 Fan, 4-14
 Field Coil Kit, 4-14, 4-15
 Filter Assy, Spin-On 10Micron, 2-59
 Filter Assy, Spin-On, 3-13
 Filter, Dust Panel, 2-3
 Filter, Hydraulic Oil, Spin On, 2-59
 Filter, Oil, Hyd, 2-3
 Filter, Panl, Dust, 3.6 X 20.0 X 30.0, 2-2, 2-55, 2-57
 Filter, Panl, Syn, 4.2 X 20.0 X 30.0, 2-57
 Flange Bearing 1.00 Bore, 2-47
 Flange Mounting, 4-3
 Flange, Bearing, 2-35, 2-45
 Flap Recirculation, 2-2, 2-7
 Flap, Recirculation, 2-3
 Flasher, 3-7
 Frame, Ev, 2-7
 Ftg, Breather, 3-13
 Ftg, Grease.25-28Th Strt .47L, 2-27
 Ftg, Grease.25-28Th Strt .47L, 2-47
 Ftg,Brass,St, 3-13
 Ftg-Hyd E45 Jm04/Om04, 2-53
 Ftg-Hyd E45 Jm06/Om06, 2-27, 2-62
 Ftg-Hyd E90 Jm04/Om04, 2-53
 Ftg-Hyd E90 Jm04/Om06, 2-47, 2-61
 Ftg-Hyd E90 Jm06/Jf06, 2-21
 Ftg-Hyd E90 Jm06/Om06, 2-27, 2-47, 2-62
 Ftg-Hyd E90 Jm08/Om10, 2-41, 2-59
 Ftg-Hyd E90 Jm08/Om12, 2-59
 Ftg-Hyd E90 Jm12/Om12, 2-59
 Ftg-Hyd Plg Jm08, 2-59
 Ftg-Hyd Rst Jm04/.047, 2-47
 Ftg-Hyd Str Jm04/Jf06, 2-62
 Ftg-Hyd Str Jm04/Om06, 2-61
 Ftg-Hyd Str Jm06/Jf08, 2-41
 Ftg-Hyd Str Jm06/Om04, 2-37
 Ftg-Hyd Str Jm06/Om06, 2-21
 Ftg-Hyd Str Jm06/Om08, 2-37, 2-61
 Ftg-Hyd Str Jm08/Om06, 2-21
 Ftg-Hyd Str Jm08/Om10, 2-59
 Ftg-Hyd Str Jm08/Om12, 2-59
 Ftg-Hyd Str Jm12/Om10, 2-37
 Ftg-Hyd Tee Jm06Jmjf, 2-21
 Ftg-Hyd Tee Jm06Jmom, 2-59, 2-62
 Ftg-Hyd Tee Jm06Omjm, 2-61, 2-62
 Fuse, 100 Amp, 2-67
 Fuse, 80 Amp, 2-67

G

Gasket, Hyd Cap, 2-59
 Gasket, Neo, .06, 02.00w 02.00l, Adh, 2-57
 Gauge Kit, Hourmeter, F/31988 [10k], 2-19
 Gauge, Hourmeter, 12-60vdc, Analog [10k], 2-19
 Gear Housing, 4-5
 Gear, Gc .625, 4-5

Gear, Gc .875, 4-5
 Gearbox, Hurth, 2-29
 Gerotor Set, 4-3, 4-6
 Grease Fitting, 2-29
 Grip, Vinyl .250 X .750 X 4.00, 2-61
 Grip, Vinyl, .375ld X 2.75, 2-43
 Grommet, Rubber, 3-7
 Grommet,Rbr,0.38ld,For .12Matl, 3-5
 Grommet,Rbr,0.38ld,For .19Matl, 3-13
 Grommet,Rbr,0.50ld,For .25Matl, 2-67
 Grommet,Rbr,0.62ld,For .06Matl, 3-13
 Grommet,Rbr,0.69ld,For .25Matl, 2-49, 2-51, 2-67
 Guard Assy, Belt, Ev W/Label, 2-37
 Guard Kit, Overhead, 3-11
 Guard Wldt, Light, Revl/Fish, 3-3
 Guard Wldt, Lights, Revl&Fish, 3-5
 Guard, Brush, 2-41
 Guard, Fan, 2-45
 Guard, String, Brush Motor, 2-41
 Guide, Use And Care, Eu, 2-75

H

Handle Lift Brush, 2-21
 Handle Wldt, Side Brush, 2-39
 Handle, Control, Valve, 2-61
 Harness Jumper, Backup Alarm, 3-7
 Harness, Hopper, 2-74
 Harness, Main, Batt, Powered, 2-74
 Harness, Warning, Light 6400, 3-3
 Harness, Warning, Lite Ohg 6400, 3-5
 Harness, Wire, Battery, 3-23, 3-24, 3-25
 Harness, Wire, Controller, 2-74
 Head, 4-9
 Headband, 4-15
 Headlight Assy 36V, 3-9
 Headlight Kit, 36V, 6400 Line, 3-9
 Hex Cap, 4-5
 High cap dust control kit, 3-29
 Hinge Set, Access, Door, Painted, 2-49
 Hinge, Access, Door, Painted, 2-49
 Hinge, Door, Brush, 2-9, 2-11
 Hinge, Leaf, 2-53
 Hinge, 2-13
 Hopper Door Light Kit, 36V, 3-10
 Hopper, 2-49
 Horn, 2-43, 3-7
 Hose Flexflyte, 4.00 Id, 2-45
 Hose Hyd Med 06 Jf/J9, 2-65
 Hose, Flex, 2-3
 Hose, Flexible 4.0 Id X 8.0 Lg, 2-43
 Hose, Flexible, 2-3
 Hose, Hyd Low08, 2-65
 Hose, Hyd, Med04, Jf04e45/Jf04str, 018.0, 2-65
 Hose, hyd, 3-29
 Hose, Vacuum .16 Id X 54.0 Lg, 3-13
 Hose&2Cuff Assy,Vinyl2.0ld10Ft, 3-21
 Hose-Hyd Low 08, 2-65
 Hose-Hyd Low06 Jf/J9, 2-65
 Hose-Hyd Low06 Jf/Jf, 2-65
 Hose-Hyd Low06, 2-65

CROSS REFERENCE

Hose-Hyd Low08, 2-65
Hose-Hyd Med04 Jf/J4, 2-65
Hose-Hyd Med04 Jf/J9, 2-65
Hose-Hyd Med04, 2-65
Hose-Hyd Med06 Jf/J9, 2-65
Hose-Hyd Med06, 2-65
Hose-Hyd Suc12, 2-65
Hose-Hyd, 2-65
Hourmeter, 2-19
Housing, 4-3
Hub, Brush Adaptor, 1.00B, 2-41
Hub, Brush-Drive, Machined, 2-35
Hub, Sheave, 2-37

I

Idler Shaft, 4-5
Impeller, 9.00 Dia X 1.40Wx.376B, 2-45
Indicator Kit, 36V, 3-13
Insert, Steering Wheel, 2-21
Instr. Repair Info, Motor, 4-3
Instr. Valve Repair Info, 4-11
Instr, Pump Seal Kit F/71576, 4-5
Insulation S/Foam, 3-11
Insulation, soundfoam, 3-29
Insulator, Panel & Switchboard, 2-67

K

Keeper, 4-9
Key Set, Switch, 2-19
Key Square 0.12 0.12 00 1.00 Lg, 2-45
Key Square 0.18 0.18 00.75 Lg, 2-45
Key Square 0.18 0.18 01.38 Lg, 2-37
Key Square 0.25 0.25 01.00 Lg, 2-35
Key, Square, 4-5
Key, Switch, Set Of Two, 2-3
Key, Woodruff, 0.19 0.75, Asa0606, 2-45
Key-Wdruff 0.16 0.662 Asa#0505, 4-14
Kit, Detent In, 4-11
Kit, Repair, Shaft Assy, 2-45
Kit, Repair, Shaft W/ Key, 2-45
Knob, Tapered, 2-31, 2-39

L

Label Set, Battery Req, 2-75
Label Set, Info & Hazard 355E, 2-75
Label Set, Operational, Ev, 2-75
Label, Numerals 6400, 2-75
Label, Tennant Logo, 2-49
Lamp, Headlight, 36V, 3-7
Lamp, Indicator 36 Volt, 3-10
Lanyard Assy, 2-3, 2-13
Latch Wldt, Shroud, 2-15
Latch, Hopper, 2-51
Latch, Swell, 2-3, 2-9, 2-11
Latch, 2-15
Lead Assembly Kit, 4-14, 4-15
Lens, Rev. Light, Amber, 3-3, 3-5
Lens, Rev. Light, Blue, 3-3, 3-5
Lens, Rev. Light, Red, 3-3, 3-5

Lever Wldt, Brake, 2-25
Lever Wldt, Brush Lift, 2-31, 2-39
Lever, Adjustable, Plastic, 2-31, 2-39
Lever, Brake Stop, 2-25
Lever, Brake, 2-25
Lever, Brush Lift, 2-31
Lever, Vac Fan, 2-43
Light Assy Tail, 3-9
Light Assy, 36V, 3-7
Light Kit, Revl, Ev 6400, 3-3
Light Kit, Revl, Ohg, Ev 6400, 3-5
Light, Indicator 36Volt, 2-19, 3-13
Light, Rev. Amber 36V-Rework, 3-3, 3-5
Link Assy, Valve Handle, 2-61
Link, Drag, 2-27
Link, Main Brush Lift, 2-31

M

Maint Kit, Dump Door Seals, 2-2
Maint Kit, Ev M Br Drive Belts, 2-2
Maint Kit, Hopper Door Skirts, 2-2
Maint Kit, Hopr Filter & Seals, 2-2
Maint Kit, M Br Door Skirts, 2-2
Maint Kit, Recirculation Flap, 2-2
Manual Pkg 6400E, Japanese, 3-30
Manual Pkg 6400E, 3-30
Manual, Cd-Rom, Service, All, 3-30
Manual, Operator 6400E, French, 3-30
Manual, Operator 6400E, Spanish, 3-30
Manual, Service 6400E, 3-30
Meter, Discharge, Battery, 2-19
Molding, Trim 3/16-5/16 5.0, 2-17
Molding, Trim 3/16-5/16 2.75, 3-5
Molding, Trim 3/16-5/16 10.0, 3-11
Molding, Trim, Leather, Black, 3-11
Motor 1.2 Hp 2550 Rpm 36 Vdc (See Breakdowns), 2-29
Motor, 36V (See Breakdowns), 2-37
Motor, Ele, 12vdc 1375rpm 0.08hp 08.4a, 2-57
Motor, Electric, 36VDC 2.1 HP, 4-14
Motor, Electric, 36VDC 4.0 HP, 4-15
Motor, Hyd Gear (See Breakdowns), 2-41
Motor, Hyd Gear In 08.9 B 1500, 4-3
Motor, Elec Shaker 12V, 2-55
Muffler, vac fan, 3-29

N

Nut Hx Std Ss M10X1.5, 2-35
Nut Hxlocnyln M 4X 0.7 Reg Ss, 2-49
Nut Hxlocnyln M 6X1.0 Reg Ss, 3-21
Nut, Cart, 4-13
Nut, Hex, Flng, M10 X 1.5, 2-47
Nut, Hex, Flng, M10 X 1.50, 2-67, 3-15
Nut, Hex, Flng, M12 X 1.75, 3-11
Nut, Hex, Flng, M6 X 1.00, 2-62
Nut, Hex, Flng, M8 X 1.25, 2-13, 2-17, 2-23, 2-31, 2-43, 2-67, 3-5, 3-7, 3-15
Nut, Hex, Jam, .50-13, 2-15

Nut, Hex, Lock, .25-20, NI, 2-59
Nut, Hex, Lock, .31-18, NI, 2-15
Nut, Hex, Lock, .31-24, NI, 2-9, 2-11
Nut, Hex, Lock, .38-16, NI, Thin, 2-35
Nut, Hex, Lock, .38-16, NI, 2-37, 2-45
Nut, Hex, Lock, .75-10, NI, 2-27, 2-35
Nut, Hex, Lock, M10 X 1.5, NI, 2-23, 2-35, 2-37, 2-39, 2-47, 2-49, 2-51, 3-17
Nut, Hex, Lock, M12 X 1.75, NI, 2-25
Nut, Hex, Lock, M12 X 1.75, NI, 2-35
Nut, Hex, Lock, M4 X 0.70, NI, 2-55, 2-57, 3-13, 3-21
Nut, Hex, Lock, M5 X 0.80, NI, 2-45, 2-51, 3-7, 3-10, 3-13
Nut, Hex, Lock, M6 X 1.0, NI, 2-19, 2-49, 2-55
Nut, Hex, Lock, M6 X 1.00, NI, 2-15, 2-21, 2-23, 2-25, 2-43, 2-45, 2-61, 3-7, 3-15
Nut, Hex, Lock, M8 X 1.25, NI, 2-7, 2-25, 2-31, 2-35, 2-39, 2-41, 2-47, 2-49, 2-51, 2-53, 2-57, 3-7, 3-15, 3-18
Nut, Hex, Std, .38-16, 2-23
Nut, Hex, Std, .75-16, 2-27
Nut, Hex, Std, M3 X 0.5, 8, 2-17, 2-19
Nut, Hex, Std, M6 X 1.00, 8, 2-23
Nut, Hex, Std, M8 X 1.25, 2-55
Nut, Valve, Cartridge, 4-17
Nut-Hx Jam .25-28 Pltd, 2-33
Nut-Hx Jam .25-28 Pltd, 2-25, 2-41
Nut-Hx Jam, M20X1.5, 2-21
Nut-Hxflxloc .31-24 Thin Pltd, 2-45
Nut-Hxflxloc .50-13 Thin Pltd, 2-41
Nut-Hxlocnyln .25-20 Regss 18-8, 2-11
Nut-Hxlocnyln .31-18 Thin Pltd, 2-13
Nut-Hxlocnyln 06-32 Regss18-8, 2-43
Nut-Hxlocnyln M 8X1.25 Reg Ss, 2-29
Nut-Hxlocnyln M14X1.5 Reg Pltd, 2-29
Nut-Hxlocnyln M16X2.0 Reg Pltd, 2-41
Nut-Hxslot .75-16 Pltd, 2-35
Nut-Hxslot .75-16 Pltd, 2-27
Nut-Hxslot .75-16 Pltd, 2-25
Nut-Wheel M14 X 1.5, 2-29

O

O-Ring, 2-29
Oil, Hydraulic, Lo Tp 5/20 1Ga, 2-3

P

Pad, Battery, 3-23
Pad, Tread, 2-23
Pad, Wear, 2-27
Pad, 2-25
Paint, Airdry, Blk, 12oz, 2-2
Paint, Airdry, Gray, 12oz, 2-2
Paint, Airdry, Iron Gray, 12oz, 2-2
Paint, Airdry, Off-White, 12oz, 2-2
Paint, Airdry, Teal, 12oz, Solid, 2-2
Panel Wldt, Instr, Oper Statio, 2-17
Panel Wldt, Oper, Ev W/Label, 2-17

Panel Wldt, Perma-Filter, 2-49
 Panel Wldt, Top, Ohg, 3-11
 Panel, Debris, Lh, 2-49
 Panel, Debris, Rh, 2-49
 Panel, Floor, 2-17
 Panel, Louver, 2-13
 Pedal Wldt, Adjustable, 2-23
 Pedal, Propel, Adj, Upper, 2-23
 Pin Assy, Clevis, Hopper Lift, 2-47
 Pin Assy, Side Brush W/Clip, 2-41
 Pin Hair Cotter .056Dx1.1L, 2-33, 2-41
 Pin, Clevis .38Dia X 3.50Lg, 2-23
 Pin, Clevis, 0.50 D X 3.00L, 2-45
 Pin, Cotter, .094 X 0.75, 2-33
 Pin, Cotter, .094 X 1.00, 2-39
 Pin, Cotter, .125 X 0.75, 2-43
 Pin, Cotter, .125 X 1.00, 2-23, 2-25, 2-35, 2-53
 Pin, Cotter, .125 X 1.25, 2-27, 2-31, 2-45
 Pin, Cotter, .187 X 1.75, 2-47
 Pin, Cotter, .250 X 1.25, 2-47
 Pin, Dowel, 4-5
 Pin, Hair Cotter 60D .092 Wire, 2-23
 Pin, Haircotter .31D .058 wire, 2-37
 Pin, Shear, 4-5
 Pin, Steering, 2-27
 Pin, Clevis, 0.25 Dia. X 0.75 Lg, 2-25, 2-33, 2-41
 Pin, Clevis, 0.37 Dia. X 1.00 Lg, 2-33
 Pin, Clevis, 0.37 Dia. X 2.00 Lg, 2-39
 Pin, Clevis, 0.37 Dia. X 2.12 Lg, 2-39
 Pin, Clevis, 0.37 Dia. X 6.12 Lg, 2-37
 Pin, Clevis, 0.50 Dia. X 1.25 Lg, 2-31
 Pin, Clevis, 0.50 Dia. X 3.50 Lg, 2-23, 2-53
 Pin, Clevis, 0.50 Dia. X 6.00 Lg, 2-53
 Pin, Dowel, 0.312Dia. X 1.00 Lg, 2-29
 Pin, Roll, .25Odx0.75L, .250/.256, 2-47
 Pin, Roll, .25Odx2.00L, .250/.256, 2-35
 Pin, Roll, .25Odx3.50L, .250/.256, 2-35
 Pin, 2-47, 4-6
 Piston Rod, 4-9
 Piston, 4-9
 Plate Seal, 2-35
 Plate Wldt, Back, Hopper, 2-53
 Plate Wldt, Brake Lever, 2-25
 Plate Wldt, Pivot, Lh, 2-49
 Plate Wldt, Pivot, Rh, 2-49
 Plate, Adjusting, Idler, 2-37
 Plate, Cover, Headlight, Lh, 3-9
 Plate, Cover, Headlight, Rh, 3-9
 Plate, cover, vac fan muffler, 3-29
 Plate, Electrical W/Label, 2-67
 Plate, Fire Ext Mtg, 3-16
 Plate, Floor W/Tread, 2-17
 Plate, Headlight, 2-49
 Plate, Keeper, 2-51
 Plate, Latch, 2-51
 Plate, Motor, Shaker, 2-55
 Plate, Mtg, Light, 2-19
 Plate, Mtg, Seat Belt, 3-17
 Plate, Mtg, Shaker, 2-55
 Plate, Mtg, Steering Boot, 2-21
 Plate, Pivot, Auto Lift, 2-33

Plate, Seal, 2-11
 Plate, Shaker, Bar, 2-55
 Plate, Shaker, Side, 2-55
 Plate, Spacer, Lift Arm, 2-47
 Plate, Support, Bumper, 2-51
 Plate, vac fan muffler, 3-29
 Plate, Vac Fan W/Label, 2-45
 Plate, Wear, 2-49, 4-6
 Plate, Spring Steel Direct. Cont, 2-23
 Plate, 2-17
 Plug & O-Ring, 4-11
 Plug Assy, Byd Eng, 2-61
 Plug Assy, Byd, 4-11
 Plug Gage #6, 4-11
 Plug Tube, 2-35
 Plug Weld, Brush Drive, Sweep, 2-35
 Plug Wldt, Idler, 2-35
 Plug, Cap, 2-7
 Plug, Drain, 3-21
 Plug, Lee, 4-5
 Plug, Steel, 4-5
 Plug, Swiss 7Mm, 4-5
 Plug, Switch, 2-19
 Plug, 2-29
 Plugbtn .56H .03-.12 Blacknyl, 2-7
 Plugbtn .62H .03-.12 Blacknyl, 2-19
 Plugbtn 1.25H .04-.17 Blacknyl, 2-19
 Plugbtn 2.09H .05-.06 Blackstl, 2-7
 Plunger, 4-11
 Pulley, Idler, W. Brng, Plastic, 2-37
 Pulley, Idler- W/Bearing- Plastic, 2-35
 Pulley, 2-33, 2-39
 Pump, Hyd Gear (See Breakdowns), 2-37
 Pump, Hyd Gear Ex2 0.45 R 1300, 4-5

R

Race Thrust, 4-3
 Race, Bearing, 4-6
 Rail, Slide, Seat, W/Latch, 2-13
 Rail, Slide, Seat, 2-13
 Relay, 36vdc, 100a, Sp N/O [White], 3-7
 Release Plunger, 4-5
 Repair Info, Cyl, 4-9
 Repair Info, 4-6
 Replacement Kit, Armrest, 3-19
 Reservoir Assy, Ev W/Label, 2-59
 Resistor, 40.00Ohms- 40.00Watt, 3-9
 Resistor, Elec, Plug, 2-74
 Retainer, Front, 4-6
 Retainer, Top Hopper Seal, 2-7
 Ring, Retain, Ex0.50Od, Heavydt, 2-21
 Ring, Retain, Ex, A20X1.2 D471, 2-25
 Ring, Retaining, Int 1.63, 2-27
 Ring, Retaining, Intl 2.00Dia, 2-47
 Ring, Retaining, 2-47, 4-6, 4-11
 Ring, Steering, 2-29
 Ring, Retain, Ex, 0.375D, Klipping, 2-39
 Ring, Retain, Ex, 0.98Od, Basic, 2-35
 Rivet, Plastic .250X.898, 2-2, 2-7, 2-49
 Rod End, 4-9
 Rod Wldt, Cover, 2-49
 Rod Wldt, Damper, 2-43

Rod, Latch, Steering, Tilt, 2-21
 Rod-End .75-16 .75 Dia, 2-27
 Rod-Thrd, 2End M06X1.0 X 2.18, 2-23
 Rod, 2-25

S

Scr Hexssm 8x1.25 16, 2-11
 Scr Flt M12X1.75 80, 2-35
 Scr Hexssm 10X1.5 25, 2-47
 Scr Hexssm 6 x 1.0 16 Nyloc, 2-13
 Scr Hexssm 6X1.0 12, 2-51
 Scr Hexssm 6X1.0 25, 3-21
 Scr Hexssm 8 X 1.25 16, 2-15
 Scr Hexssm 8X1.25 20, 2-23
 Scr Hexssm 8X1.25 25, 2-7
 Scr Hexssm 8X1.25 16, 2-51
 Scr Hexssm 8X1.25 25, 2-41, 2-53
 Scr Hexssm 8X1.25 40, 2-53
 Scr Hexssm 8X1.25 55, 2-51
 Scr Hexssm 8X1.25, 2-9, 2-11, 2-35, 2-49, 2-53, 2-55
 Scr Hexssm10X1.5 20, 2-33
 Scr Hexssm10X1.5 30, 2-49
 Scr Hexssm10X1.5 40, 2-51
 Scr Pan Ssm 3X0.5 25, 2-17
 Scr Pan Ssm 4X0.7 25, 2-49
 Scr Panssm 4X0.7 20, 2-49
 Scr Set .31-18X0.50, 2-45
 Scr Set M 5X0.8 8, 2-23
 Scr-Flt M10X1.5 25, 2-35
 Scr-Hex .25-20X0.75 Sems Pltd, 2-59
 Scr-Hex .25-20X1.00 Nylon Loc, 2-67
 Scr-Hex .38-16X1.00 Nylon Loc, 3-13
 Scr-Hex .38-16X1.50 Full Thd, 2-23
 Scr-Hex .25-20X0.75 Sems Pltd, 2-15
 Scr-Hex .38-16X1.25 Nylon Loc, 2-41
 Scr-Hex M 8X1.25 45 10.9, 2-29
 Scr-Hexssm 6X1.0 16 Nylonloc, 2-21
 Scr-Hexssm 6X1.0 20 Nylonloc, 2-35
 Scr-Hexssm 8X1.25 16 Nylon Loc, 2-9, 2-11, 2-55
 Scr-Hexssm 8x1.25 16 Nylonloc, 2-11
 Scr-Hexssm 8X1.25 20 Nylnloc, 2-7, 2-35, 2-53, 2-55
 Scr-Hexssm 8X1.25 25 Nylnloc, 2-7, 2-55
 Scr-Hexssm10X1.5 70 Full Thd, 2-35
 Scr-Hx Fmgm 6X1.0 12, 2-47, 2-53, 3-10, 3-13
 Scr-Hx Fmgm 6X1.0 20, 2-47
 Scr-Hxfmgm 6X1.0 16 Pltd, 2-49
 Scr-Hxfmgm 6X1.0 20 Pltd, 2-53
 Scr-Lag .31-09X1.00 Pltd, 2-41
 Scr-Pan 10-14X0.75 F/Plst Pl, 2-49
 Scr-Pan 12 X.50 F/Plst Pl, 3-16
 Scr-Pan 10-14X0.75 F/Plst Pl, 3-21
 Scr-Pan 12 X.50, 2-13, 3-3
 Scr-Pnfm 10 X 0.75 Type Ab, 3-16
 Scr-Set .25-20X0.31 Nylon Loc, 2-37
 Scr-Set 10-24X0.25 Nylon Loc, 2-55
 Screw Hex Ssm 6 X 1.0 20, 2-49
 Screw Hex Ssm 8X1.25 45, 2-39
 Screw Hexssm 6X1.0, 2-49, 3-9

CROSS REFERENCE

- Screw, Flat, M 8X1.25 Ss 18-8, 2-49
Screw, Flt, .50-13 X 2.50, Al, 2-41
Screw, Flt, M6 X 1.0 X 25, 10.9, 2-49
Screw, Flt, Soc, M5 X 0.80 X 12, 10.9, 2-51
Screw, Flt, Soc, M8 X 1.25 X 16, 10.9, 2-33
Screw, Hex, .25-20 X 0.50, Fmg, Pl, 3-15
Screw, Hex, .25-20 X 0.50, G5, 2-67
Screw, Hex, .31-18 X 0.62, 5, 2-13
Screw, Hex, .31-18 X 2.25, G5, 2-15
Screw, Hex, .38-16 X 1.50, G5, 2-35
Screw, Hex, .38-16 X 2.00, G5, 2-37
Screw, Hex, .50-13 X 2.50, G5, 2-15
Screw, Hex, .75-10 X 3.00, 5, 2-27
Screw, Hex, 06-20 X 0.50, Fmg/Ab, Pl, 2-45
Screw, Hex, 06-32 X 0.75, Fmg, Pl, 2-67
Screw, Hex, 10-24 X 0.50, Fmg, Pl, 2-67
Screw, Hex, M08 X 1.25 X 30, 8.8, 2-39
Screw, Hex, M10 X 1.5 X 100, 8.8, 2-47
Screw, Hex, M10 X 1.5 X 25, Ss, 2-41
Screw, Hex, M10 X 1.50 X 20, 8.8, 3-17
Screw, Hex, M10 X 1.50 X 25, 8.8, 2-37, 2-45, 2-67
Screw, Hex, M10 X 1.50 X 30, 8.8, 3-15
Screw, Hex, M12 X 1.75 X 30, 8.8, 2-29, 3-11
Screw, Hex, M12 X 1.75 X 35, 8.8, 2-25
Screw, Hex, M16 X 2.0 X 20, 8.8, 2-35
Screw, Hex, M16 X 2.0 X 90, 8.8, 2-41
Screw, Hex, M4 X 0.70 X 12, 8.8, 3-13
Screw, Hex, M5 X 0.80 X 12, 8.8, 2-45
Screw, Hex, M5 X 0.80 X 16, 8.8, 3-10, 3-13
Screw, Hex, M6 X 1.0 X 12, 8.8, 2-55
Screw, Hex, M6 X 1.0 X 16, Fmg, 2-53
Screw, Hex, M6 X 1.00 X 12, 8.8, 2-15
Screw, Hex, M6 X 1.00 X 12, Fmg, 2-37, 2-67
Screw, Hex, M6 X 1.00 X 16, 8.8, 2-21
Screw, Hex, M6 X 1.00 X 20, 8.8, 2-21, 2-23, 2-43, 2-45, 3-15
Screw, Hex, M6 X 1.00 X 50, 8.8, 2-25, 2-61, 2-62, 3-7
Screw, Hex, M8 X 1.25 X 16, 8.8, 2-13, 2-17
Screw, Hex, M8 X 1.25 X 16, Ss, 2-57
Screw, Hex, M8 X 1.25 X 20, 8.8, 2-13, 2-15, 2-17, 2-67, 3-7
Screw, Hex, M8 X 1.25 X 20, NI, Ss, 2-57
Screw, Hex, M8 X 1.25 X 20, Ss, 2-53
Screw, Hex, M8 X 1.25 X 25, 8.8, 2-25, 2-31, 2-33, 2-37, 2-43, 2-51, 3-5, 3-15
Screw, Hex, M8 X 1.25 X 35, 8.8, 2-33
Screw, Hex, M8 X 1.25 X 40, 8.8, 3-7, 3-18
Screw, Hex, M8 X 1.25 X 40, Ss, 2-57
Screw, Hex, M8 X 1.25 X 45, 8.8, 2-31
Screw, Hex, M8 X 1.25 X 50, 8.8, 2-29
Screw, Hex, M8 X 1.25 X 60, 8.8, 2-47
Screw, hx fmg, 3-29
Screw, Pan, #12- X 0.50,, 3-7
Screw, Pan, 12-16 X 0.50, F/ Plstc, 3-15
Screw, Pan, M3 X 0.5 X 12, 4.8, 2-19
Screw, Pan, M4 X 0.7 X 10, Ss, 2-55
Screw, Pan, M6 X 1.0 X 20, 4.8, 2-19
Screw, Pan, Phl, 06-32 X 1.00, G1, 2-43
Screw, Pan, Phl, M4 X 0.70 X 10, Ss, 2-57
Screw, Pan, Phl, M4 X 0.70 X 16, 4.8, 2-13, 3-21
Screw, Pan, Phl, M5 X 0.80 X 16, 4.8, 3-7
Screw, Pan, Phl, M6 X 1.00 X 16, 4.8, 2-21
Screw, Panssm 6X1.0, 2-47
Screw, Set, Soc, 10-24 X 0.25, NI, 2-57
Screw, set, 3-29
Screw, Soc, M8 X 1.25 X 25, 12.9, 2-23
Screw, Soc, M8 X 1.25 X 70, 12.9, 2-27
Screw-Flat M 8X1.25, 2-53
Screw, 4-3, 4-5
Seal Kit, Cart, 4-13
Seal Kit, Cartridge, 4-17
Seal Kit, Coil, 4-13
Seal Kit, Hyd Pump, 4-5
Seal Kit, Motor A/H-Stnd, 4-3
Seal Kit, Vlv, 4-11
Seal Kit, 4-6, 4-7, 4-9
Seal Wrap, Dump Door, 2-2, 2-53
Seal, Bearing, 2-21
Seal, Boot, Steering Column, 2-21
Seal, Bulb, 90, 0.50d .06-.09grip 022.5l, 2-13
Seal, Bulb, 90, 1.33 .06-.09grip 032.5l, 2-13
Seal, Bulb, Str, 0.50d .13grip 009.4l, 2-9
Seal, Damper, 2-43
Seal, Door, Access, 2-49
Seal, Dump Door, Side, 2-2, 2-3, 2-53
Seal, Dump Door, Top, 2-2, 2-3, 2-53
Seal, Firewall, 2-7
Seal, Foam, 2-19
Seal, Headlight, 2-49, 3-9
Seal, O-Ring 2.984ld X .139T, 2-29
Seal, Rbr, Clsd, 0.50, 1.2w 16.0l Adh, 2-57
Seal, Sbdc, 3-15
Seal, Side Rh Hopper, 2-3
Seal, Side Rh, 2-2, 2-9
Seal, Side, Lh Hopper, 2-3, 2-11
Seal, Side, Lh, 2-2
Seal, Spacer, Filter, 2-2, 2-3, 2-55
Seal, Top, Hopper, 2-2, 2-3, 2-7
Seal, Ure .50 X .75 X 5.0L, 2-17
Seal, Vac Inlet, 2-3, 2-43
Seal, Vac Wand, 3-21
Seal, Wrap, Rear Brush, 2-2, 2-3, 2-7
Seal, Wrap, 2-3
Seal, Foam Rbr .375 1.25W 25.5L, 2-9
Seal, Foam Vyl, .38 .75W 7.3L, 3-7
Seal, 3-29, 4-14
Seat, 2-13
Seat Belt Kit, 3-17
Seat, Grammer, 3-18
Seat, Michigan, 3-19
Sender, Filter, Hydraulic, 3-13
Sensor, Thermal, 140deg, No, Spst, 2-57
Shaft Assy, Brg, 2-45
Shaft Idler, 2-35
Shaft, Brush Drive, 2-35
Shaft, Impeller, 2-45
Shaft, Output, 4-3
Shaker Wldt, Frame, 2-57
Sheave, 3V, 2.85 Pd, 2-45
Sheave, Brush Drive, 2-35
Sheave, Brush, 2-35
Sheave, Step 3V 1.00ld, 2-37
Sheave, Step 3V Flanged, 2-37
Sheave, step, 3-29
Sheave, 2-47, 3-29
Shim, Front Bumper, 2-51
Shoe, Brake, 2-25
Shroud, Rear, 2-13
Skirt, Front, Sbdc, 3-15
Skirt, Hopper, 2-2, 2-3, 2-7
Skirt, Lip, 2-2, 2-3, 2-49
Skirt, Oil Deflection, 2-21
Skirt, Sbdc, 3-15
Skirt, Side Brush, 2-2, 2-3, 2-49
Sleeve, .318B .50D .25 Ss, 2-39, 2-41
Sleeve, .318B .50D .75 Ss, 2-39
Sleeve, .375B .50D .50 Stlzn, 2-55
Sleeve, .402B .62D1.31, 2-39
Sleeve, .510B .75D .44 Stlzn, 2-39
Sleeve, .770B 1.12D .60CrS, 2-27
Sleeve, 1.253B 1.75D .69, 2-47
Sleeve, Nyl #27 60.0L, 2-41
Sleeve, Nyl 17 35.0L, 2-27
Sleeve, .31Bb.496D .312Ss, 2-13
Sleeve-Nyln #20 35.0L, 2-53
Sleeve, 2-35
Snap Ring, 4-5
Snap-Ring, 4-14, 4-15
Socket Assy, 3-9
Solenoid Assy., 2-43
Solenoid, Valve, Hyd, 36vdc, 4-17
Spacer Plate, 4-3
Spacer, .56 ld X 1.82L, 2-53
Spacer, Mtg, Cyl, 2-53
Spacer, Pivot, 2-33
Spacer, 2-23, 2-25, 2-27, 2-31, 2-33, 2-45, 4-6, 4-11
Spindle, Adjustment, 2-13
Sponge Cord, 2-2, 2-53
Spring Kit, 4-6
Spring, Comp. .60 OD x .75, 2-11
Spring, Comp, .72 Od X 3.25 L, 2-51
Spring, Die .50ld 1.00Od 1.25L, 2-41
Spring, Die .62ld 1.25Od 1.75L, 2-41
Spring, Extension, 2-33
Spring, Latch, 2-15
Spring, Parking Brake, 2-25
Spring, Return, Brake, 2-25
Spring, Tens.750Dx.10Wirex4.5, 2-41
Spring, Tens, .50Dx.05Wire2.5L, 2-61
Spring, Tens, 1.30Dx.15Wire6.0l, 2-45
Spring, Tension, 2-53
Spring, Torsion, 2-15, 2-39

Spring, 4-5, 4-11
 Sprng, Comp, 0.62ldx.06Wire 2.3L, 2-21
 Sprng, Tens, 0.56Odx.05Wire 0.9L, 2-43
 Stator, 4-5
 Steer Control, Hyd (See Breakdowns),
 2-21
 Stem, Valve, Hyd, 4-17
 Strainer, Hyd 10Gpm 100Mesh, 2-3, 2-59
 Strap Wldt, Hyd Tank, 2-59
 Strap Wldt, Motor, 2-55
 Strap Wldt, Shagr, 2-57
 Strip Retainer Bearing, 2-35
 Strip Wldt, Door Seal, 2-53
 Strip, Rbr, 0.06 04.00w 05.0l [Neo/60],
 2-57
 Strip, Retainer, Door, Side, 2-53
 Strip, Retainer, Dump Door, 2-53
 Strip, Retainer, Flap, 2-7
 Strip, Retainer, Hopper Lip, 2-49
 Strip, Retainer, Sbdc, 3-15
 Strip, Retainer, Seal, 2-9
 Strip, Retainer, 2-53
 Strip, 2-7, 2-11
 Stud, Special, M16X2.0, 2-35
 Stud, Special, Pivot, 2-35
 Switch Ignition, 2-19
 Switch Pressure, 3-13
 Switch, Pushbutton, 3-13
 Switch, Pushmom, Spst100A 12V, 2-19,
 2-43
 Switch, Rocker, Spdt, 2 Pos, 3-9
 Switch, Roller, 3-10, 3-13
 Switch, Snap Actn, 250vdc 25a Spdt, 2-17
 Switch, Rocker, Spdt, 3 Pos, 3-3, 3-5
 Syn. Filter Pkg, Panel, 61Pleats, 2-55

T

Thermostat, Spst Switch, 2-55
 Thrust Bearing, 4-3
 Tie Cable 3.00D Max 11.41Lg, 2-21
 Tie, Cable 1.75D Max 7.5 Lg, 2-41
 Tie, Cable 1.75D Max 7.50Lg, 2-43, 2-49,
 2-53, 2-67, 3-3, 3-5, 3-13
 Tie, Cable 3.00 Max 11.41 Lg, 2-27
 Tie, Cable 4.00D max 14.50Lg, 3-24, 3-25
 Tie, Cable, Nyl, 11.4L .19W 3.0 Max D,
 2-19
 Tire & Wheel Assy, 16X4.00 Un, 2-29
 Tire and Wheel Assembly, Un PI Nm Ev,
 3-27
 Tire, 16X4X12.125 Un PI Ds, 2-29
 Tire, 16X4X12, 125 Un PI Nm, 3-27
 Tread, Floor, 20.6 6.5, 2-17
 Tube Wldt, Torque, 2-35
 Tube Wldt, Vac Fan, 2-43
 Tube, 0.38id 0.50od 00.5l, Stl [H/T]H/T],
 2-57
 Tube, 0.49D 0.23B 0.5L Ss, 2-33, 2-39

V

V-Belt 3VI - 540, 2-37
 V-Belt 3VI - 540, 2-3
 Valve Stem 3W2P Cp, 4-13
 Valve Stem, 4-5
 Valve, Cartridge, Relief, 4-17
 Valve, Cntrl, Hyd, Solenoid, 12vdc 06gpm
 (See Breakdowns), 2-62
 Valve, Cntrl, Hyd, Solenoid, 12vdc 06gpm,
 4-17
 Valve, Hyd Cntrl Sol (See Breakdowns),
 2-62
 Valve, Hyd Cntrl Sol 1S05G1300, 4-13
 Valve, Hyd Control Man (See
 Breakdowns), 2-61
 Valve, Hyd Control Man, 4-11
 Valve, Hydraulic Steering 07.3 0600, 4-6
 Video, Oprtr, Dvd [6400e], 3-30

W

Wand Kit, Vac, 6400 Line, 3-21
 Wand, 3-21
 Washer Flat, 0.50, Sae, 2-15, 2-23, 2-25,
 2-53, 3-11
 Washer Flt .25 Ss, 3-13
 Washer Flt .31 Ss, 2-23
 Washer Flt .50 Ss, 2-49
 Washer Flt .25 Ss, 2-53
 Washer Flt .50 Sae, 2-41
 Washer Flt .62 Sae, 2-41
 Washer, .310B .88D .12Rbr, 2-61
 Washer, .344B .69D .06Nylon, 2-15
 Washer, .375B .75D .06Nylon, 2-23
 Washer, .405B .81D .06 Nylon, 2-31
 Washer, .531B 1.75D .12Cr.Znc, 2-35
 Washer, .656B 1.25D .06, 2-41
 Washer, .765B 1.50d .06Ss18-8, 2-25
 Washer, Flat, .20b .50d .06, Alm, Blind,
 3-3
 Washer, Flat, #08, 2-55
 Washer, Flat, #10, 2-19
 Washer, Flat, 0.25 Ss, 2-35
 Washer, Flat, 0.25 Std, 2-49
 Washer, Flat, 0.25, Sae, 2-21, 2-23, 2-43,
 2-67, 3-7
 Washer, Flat, 0.25, Std, 2-23, 2-51, 2-59,
 3-7, 3-10, 3-15, 3-18
 Washer, Flat, 0.31 Sae, 2-9, 2-11
 Washer, Flat, 0.31 Std, 2-9, 2-11, 2-17,
 2-39
 Washer, Flat, 0.31, Fendr, 3-15
 Washer, Flat, 0.31, Sae, 3-5, 3-15
 Washer, Flat, 0.31, Std, 2-13, 2-15, 2-25,
 2-31, 2-33, 2-35, 2-41, 2-43, 2-49,
 2-51, 2-53, 2-57, 3-7
 Washer, Flat, 0.38 Std, 2-39, 2-41, 2-47,
 2-49
 Washer, Flat, 0.38, Sae, 2-23, 2-35, 2-37
 Washer, Flat, 0.38, Std, 2-33, 2-37, 2-45,
 2-51, 2-53, 3-15
 Washer, Flat, 0.38b 0.88d .08, Ss, 2-53
 Washer, Flat, 0.75 Sae, 2-27
 Washer, Flat, 08, 2-57

Washer, Flat, 1.02b 1.75d .12, Stl, 2-47
 Washer, Flat, 10, Sae, 3-15
 Washer, Flat, 10, 2-21, 2-45, 3-7, 3-10,
 3-13, 3-21
 Washer, Flat, Belleville, .31, 2-37
 Washer, Flt, .31 Sae, 2-13
 Washer, Lock, Int, 0.25, 2-67
 Washer-Belleville .38 Pltd, 2-37
 Washer-Belleville .50 Pltd, 2-47
 Washer-Flt .25 Fender Pltd, 2-49
 Washer-Flt .25 Fender Pltd, 3-15
 Washer-Flt .31 Fender Pltd, 2-7, 2-11
 Washer-Flt .44 Std Hard Pltd, 2-39
 Washer-Flt 21 X37 X3 M20, 2-25
 Washer-Loc Int 04 Pltd, 2-19
 Washer-Wavy Spring, 2-35
 Washer, 4-11
 Wavy Washer, 4-14, 4-15
 Weight, Eccentric, 2-55, 2-57
 Wheel Assy, 2-25
 Wheel Bolt, 2-29
 Wheel Steering 14DiaX36T, 2-21
 Wire Assy, Cable-48.0 Lg., 4 Ga Blk,
 2-74
 Wire Assy, 11.0 Lg., 6 Ga Blk, 2-74
 Wire Assy, 15.0 Lg., 4 Ga, 2-74
 Wire Assy, 21.0 Lg., 4 Ga, 2-74
 Wire Assy, 22.3 Lg., 4 Ga, 2-74
 Wire Assy, 30.0 Lg., 4 Ga, 2-74
 Wire Assy, 60.0 Lg., 4 Ga, 2-74
 Wire Assy, 7.5 Lg., 4 Ga, 2-74
 Wire Assy-Cable 24.0 Lg., 4 Ga Blk, 2-74

Y

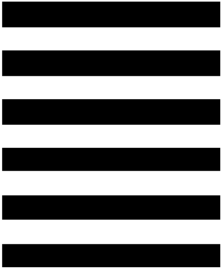
Yearly Maint Pkg 800hr Elect, 2-3



TENNANT COMPANY
 Technical Publications #15
 701 North Lilac Drive
 P.O. Box 1452
 Minneapolis, MN 55440-9947

POSTAGE WILL BE PAID BY ADDRESSEE

BUSINESS REPLY MAIL
 FIRST CLASS MAIL PERMIT NO. 94 MINNEAPOLIS, MN



NO POSTAGE
 NECESSARY
 IF MAILED
 IN THE
 UNITED STATES



Fold along dotted lines

Tape here

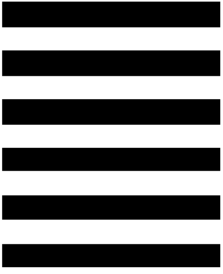




TENNANT COMPANY
 Technical Publications #15
 701 North Lilac Drive
 P.O. Box 1452
 Minneapolis, MN 55440-9947

POSTAGE WILL BE PAID BY ADDRESSEE

BUSINESS REPLY MAIL
 FIRST CLASS MAIL PERMIT NO. 94 MINNEAPOLIS, MN



NO POSTAGE
 NECESSARY
 IF MAILED
 IN THE
 UNITED STATES



Fold along dotted lines

Tape here

