

# AERO 26

---

Model:  
AERO 26-01  
AERO 26-21  
AERO 26-2L



Part List US-English

16-02-2015

# Table of Contents

AERO 26

<b>Hood 26-01 PC</b>	<b>3</b>
<b>Hood 26-21 PC</b>	<b>5</b>
<b>Hood 26-01 PC X</b>	<b>7</b>
<b>Hood 26-2L PC</b>	<b>9</b>
<b>Motor and filter</b>	<b>11</b>
<b>Container 25L plast</b>	<b>13</b>
<b>Accessories</b>	<b>15</b>
<b>Recommended Spare Parts</b>	<b>17</b>

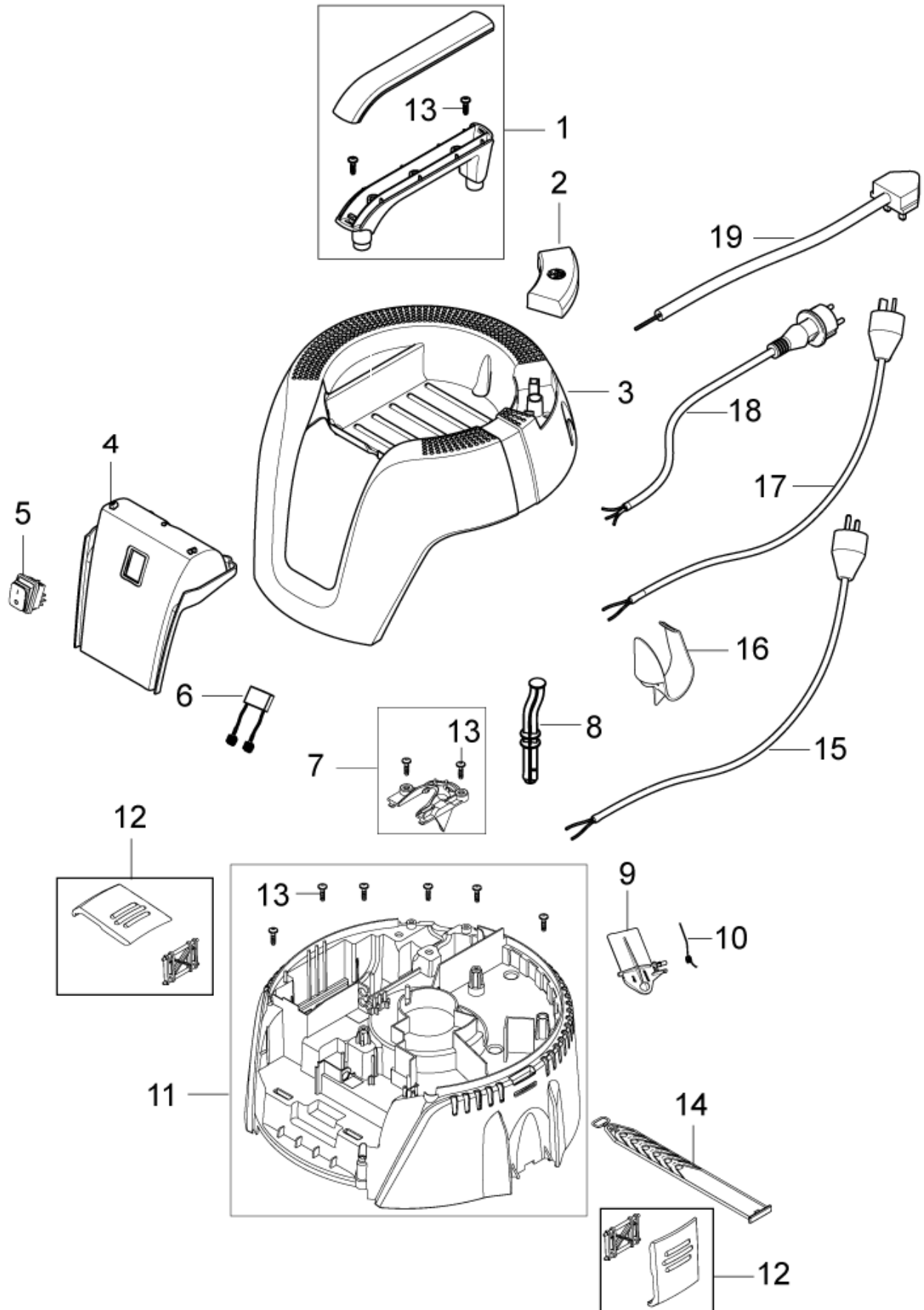
# Hood 26-01 PC

AERO 26

16-02-2015

Part List ID  
AERO2602

3



# Hood 26-01 PC

AERO 26

16-02-2015

Part List ID  
AERO2602

4

Pos	Part no.	Qty	Description	
0	107412600	1	BOX AERO 26 X10	
01	107409137	1	HANDLE	
02	107409138	1	PC BUTTON	
03	107409145	1	AERO HEAD COVER 26-2L	
04	107409140	1	INTERFACE ALTO BLUE	
05	107404540	1	SWITCH 0-1 DOUBLE POLE SET	
06	107404542	1	ANTI-INTEFERENCE CAPACITOR SET	
07	107409125	1	CABLE OUTLET	
08	107409141	1	PC ROD	
09	107409129	1	PC FLAP - KIT	
10	909100083	1	TORSION SPRING D0.9X18X45 INOX	
11	107409149	1	CLAMPING PLATE	
12	107409130	2	CLAMP	
13	302003704	1	SCREW EJOT DELTA PT50X18WN5451	
14	107409131	1	RUBBER STRAP	
15	61130	1	POWERCORD H05VV-F 3G1.5X5.7M C	EU
17	302002391	1	POWERCORD H05VV-F 3G1.5X5.7M A	(AU/NZ)
18	60903	1	POWERCORD H05VV-F 2X0.75X5.M S	(ZA)
18	61132	1	POWERCORD H05VV-F 3G1.0X5.7 SN	(CH)
19	61129	1	POWER CORD H05VV-F3G1.5X5	(GB 230/1/50)



# Hood 26-21 PC

AERO 26

16-02-2015

Part List ID  
AERO2604

6

Pos	Part no.	Qty	Description
01	107409137	1	HANDLE
02	107409138	1	PC BUTTON
03	107409145	1	AERO HEAD COVER 26-2L
04	107409141	1	PC ROD
05	107409191	1	INTERFACE SWITCH AND OUTLET ALTO BLUE
06	107409135	1	SWITCH 1-0-TOOL
07	302003705	1	SCREW EJOT DELTA PT35X18WN5451
08	107400059	1	SOCKET 16A/250V CH
08	107402842	1	OUTLET 2P AND PE 16A 110V GB, 110V
08	302000152	1	SOCKET 2-P.+PE 16A/250V -FR
08	302001185	1	SOCKET 10A/250V AU
08	302004034	1	SOCKET 16A/250V EU
08	302004336	1	SOCKET 13A/250V GB
08	302004338	1	SOCKET 15A/125V US/CSA
09	302002052	1	PLUG SOCKET PLATE
10	107409125	1	CABLE OUTLET
11	107409130	2	CLAMP
12	107409149	1	CLAMPING PLATE
13	302003704	9	SCREW EJOT DELTA PT50X18WN5451
14	107409129	1	PC FLAP - KIT
15	909100083	1	TORSION SPRING D0.9X18X45 INOX
16	107409131	1	RUBBER STRAP
17	107409188	1	PCBA CHAMELEON 21 EA 230V
19	61130	1	POWERCORD H05VV-F 3G1.5X5.7M C EU
20	302002391	1	POWERCORD H05VV-F 3G1.5X5.7M A AU 220-240V 60Hz
21	107409178	1	POWER CORD US US 120V 60Hz
21	61132	1	POWERCORD H05VV-F 3G1.0X5.7 SN CH
22	61129	1	POWER CORD H05VV-F3G1.5X5 UK 230V 50Hz
23	302000692	1	POWER CORD H07BQ-F3G1.5X8.2 CE UK 110V 50Hz

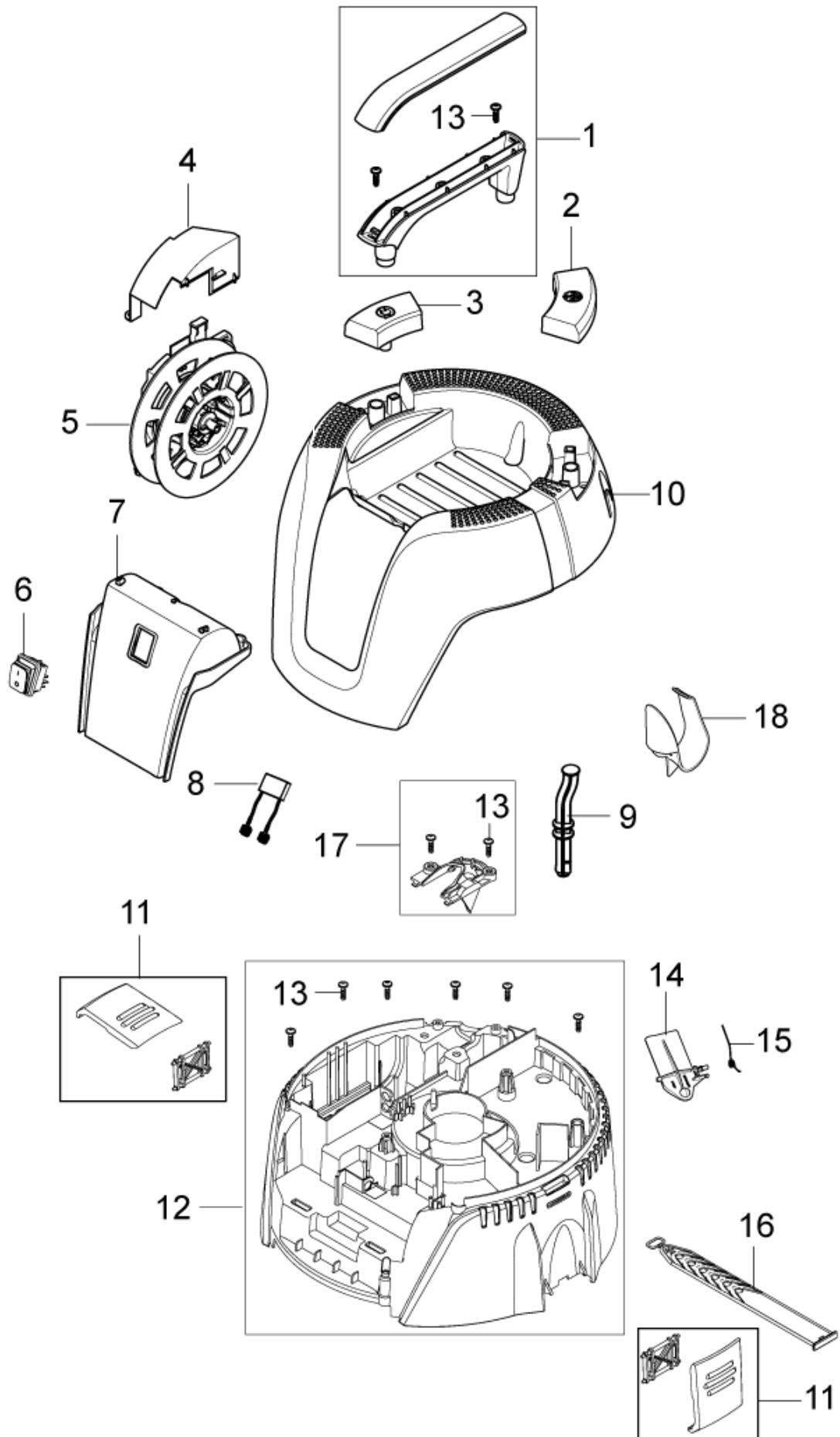
# Hood 26-01 PC X

AERO 26

16-02-2015

Part List ID  
AERO2606

7



# Hood 26-01 PC X

AERO 26

16-02-2015

Part List ID  
AERO2606

8

Pos	Part no.	Qty	Description
01	107409137	1	HANDLE
02	107409138	1	PC BUTTON
03	107409139	1	CR BUTTON
04	107409143	1	SPLASH COVER
05	107409144	1	CABLE REWIND
06	107404540	1	SWITCH 0-1 DOUBLE POLE SET
07	107409140	1	INTERFACE ALTO BLUE
08	107404542	1	ANTI-INTEFERENCE CAPACITOR SET
09	107409141	1	PC ROD
10	107409142	1	AERO ADV 1 HEAD COVER
11	107409130	2	CLAMP
12	107409149	1	CLAMPING PLATE
13	302003704	9	SCREW EJOT DELTA PT50X18WN5451
14	107409129	1	PC FLAP - KIT
15	909100083	1	TORSION SPRING D0.9X18X45 INOX
16	107409131	1	RUBBER STRAP
17	107409125	1	CABLE OUTLET



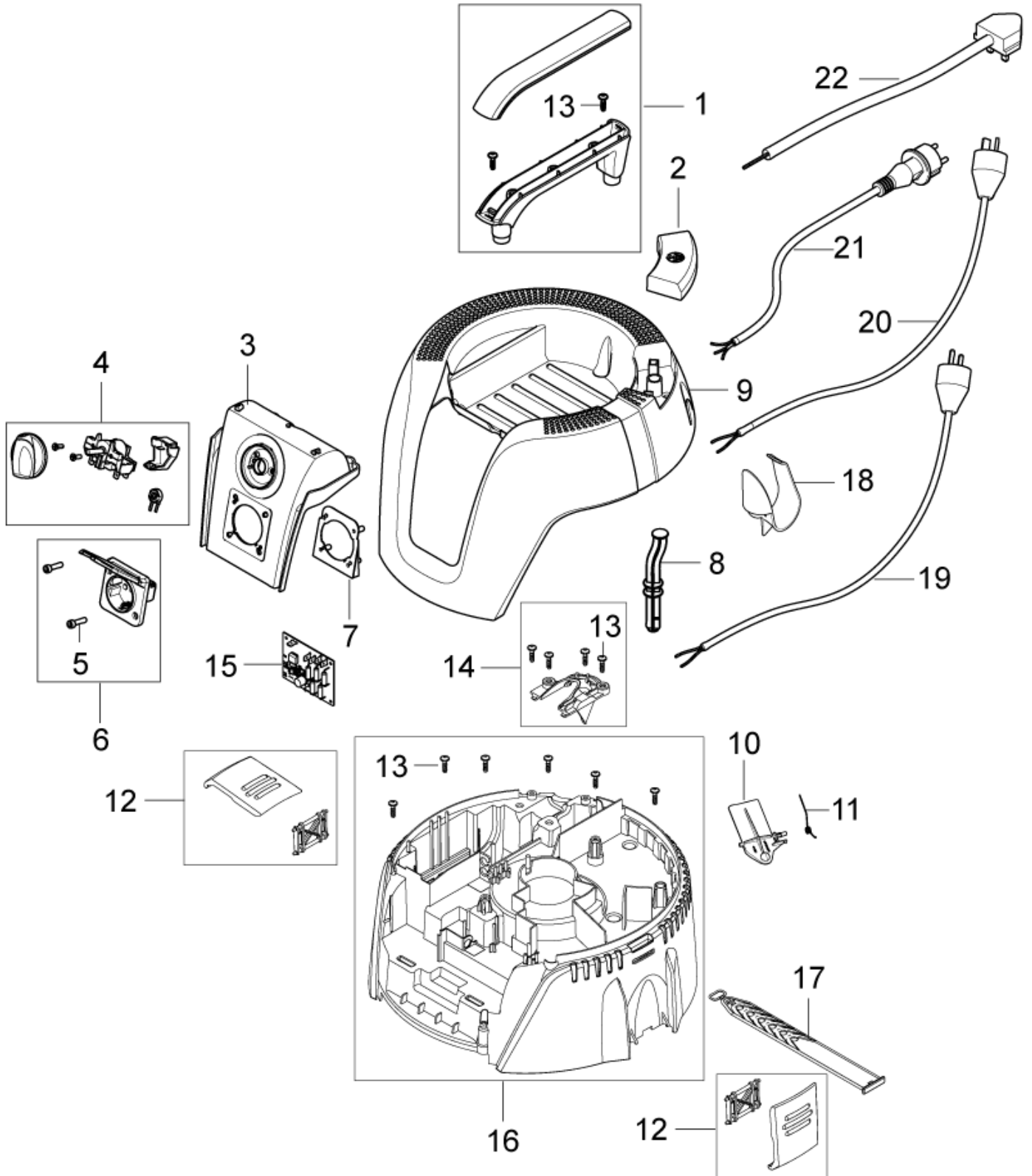
# Hood 26-2L PC

AERO 26

16-02-2015

Part List ID  
AERO2608

9



# Hood 26-2L PC

AERO 26

16-02-2015

Part List ID  
AERO2608

10

Pos	Part no.	Qty	Description	
01	107409137	1	HANDLE	
02	107409138	1	PC BUTTON	
03	107409146	1	INTERFACE SWITCH AND OUTLET ADV 1	
04	107409156	1	SWITCH	
05	302003705	2	SCREW EJOT DELTA PT35X18WN5451	
06	107400059	1	SOCKET 16A/250V CH	
06	302004034	1	SOCKET 16A/250V EU	
06	302004336	1	SOCKET 13A/250V GB	
06	302004338	1	SOCKET 15A/125V US/CSA	
07	302002052	1	PLUG SOCKET PLATE	
08	107409141	1	PC ROD	
09	107409145	1	AERO HEAD COVER 26-2L	
10	107409129	1	PC FLAP - KIT	
11	909100083	1	TORSION SPRING D0.9X18X45 INOX	
12	107409130	2	CLAMP	
13	302003704	9	SCREW EJOT DELTA PT50X18WN5451	
14	107409125	1	CABLE OUTLET	
15	107409190	1	PCBA CHAMELEON 2L EA SPEED REG 230V	
16	107409149	1	CLAMPING PLATE	
17	107409131	1	RUBBER STRAP	
19	107409133	1	POWER CORD EU	EU (Orange)
20	61132	1	POWERCORD H05VV-F 3G1.0X5.7 SN	CH
22	61129	1	POWER CORD H05VV-F3G1.5X5	UK 230V 50Hz

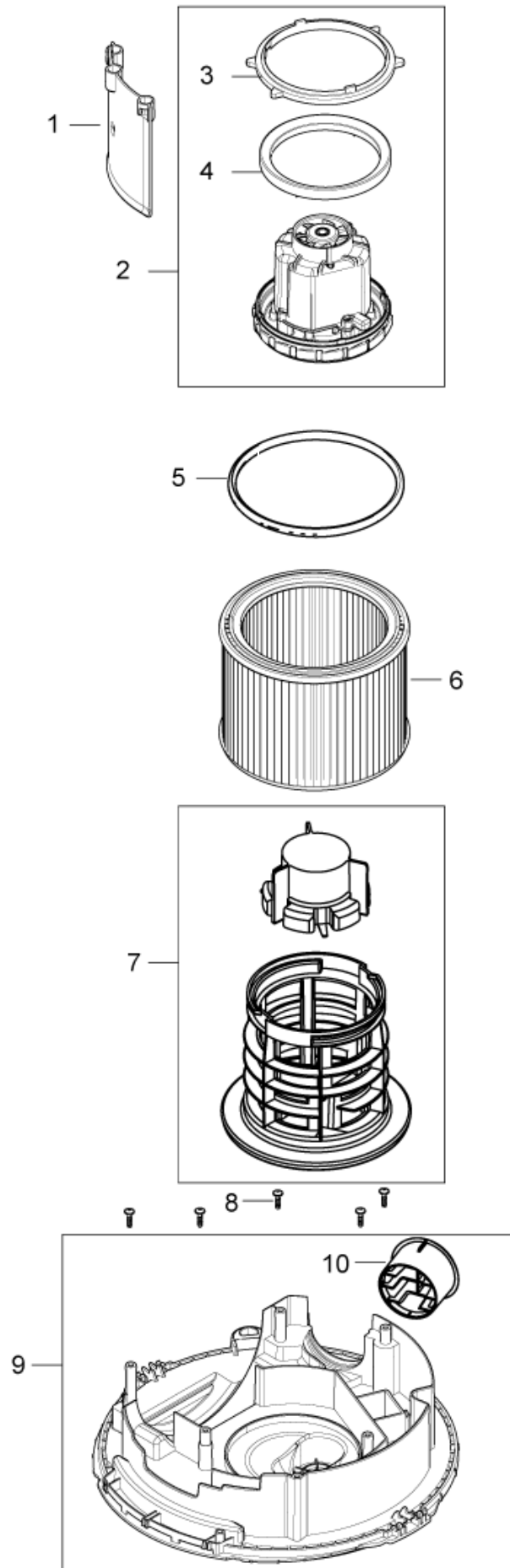
# Motor and filter

AERO 26

16-02-2015

Part List ID  
AERO2610

11



# Motor and filter

AERO 26

16-02-2015

Part List ID  
AERO2610

12

Pos	Part no.	Qty	Description
01	107409159	1	DEFLECTOR SHIELD
02	107409160	1	MOTOR KIT 1000W 220-240V/50-60HZ
02	107409162	1	MOTOR KIT 1000W 110-120V/50-60HZ
02	107410825	1	MOTOR KIT 1200W 230V/50-60HZ
03	107409163	1	UPPER MOTOR SEALING
04	107409164	1	LOWER MNOTOR SEALING
05	107409165	1	SEALING FILTER
06	302000490	1	FILTER ELEMENT Ø185X140 PET M-CLASS
07	107402646	1	FILTER SUPPORT CAGE ATTIX/AERO PP
08	302003704	5	SCREW EJOT DELTA PT50X18WN5451
09	107409166	1	BASEPLATE WITH OUTLET
10	107409167	1	OUTLET

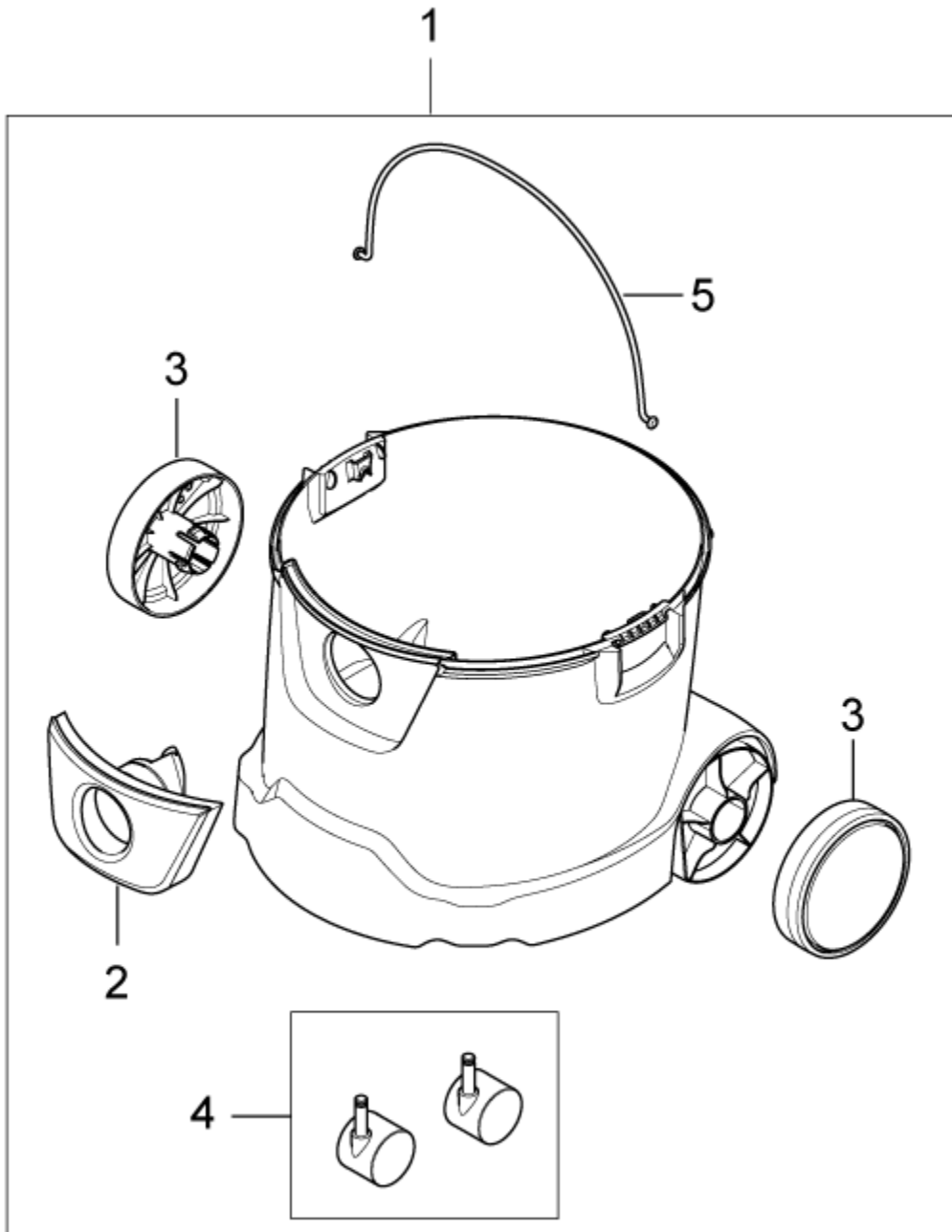
# Container 25L plast

AERO 26

16-02-2015

Part List ID  
AERO2612

13



# Container 25L plast

AERO 26

16-02-2015

Part List ID  
AERO2612

14

Pos	Part no.	Qty	Description
01	107409175	1	AERO CONTAINER 25L CPL.
02	107409169	1	INLET FITTING
03	107409170	2	WHEEL D130
04	140 6422 500	1	WHEELS LINK 50MM
05	107409171	1	HANDLE CONTAINER

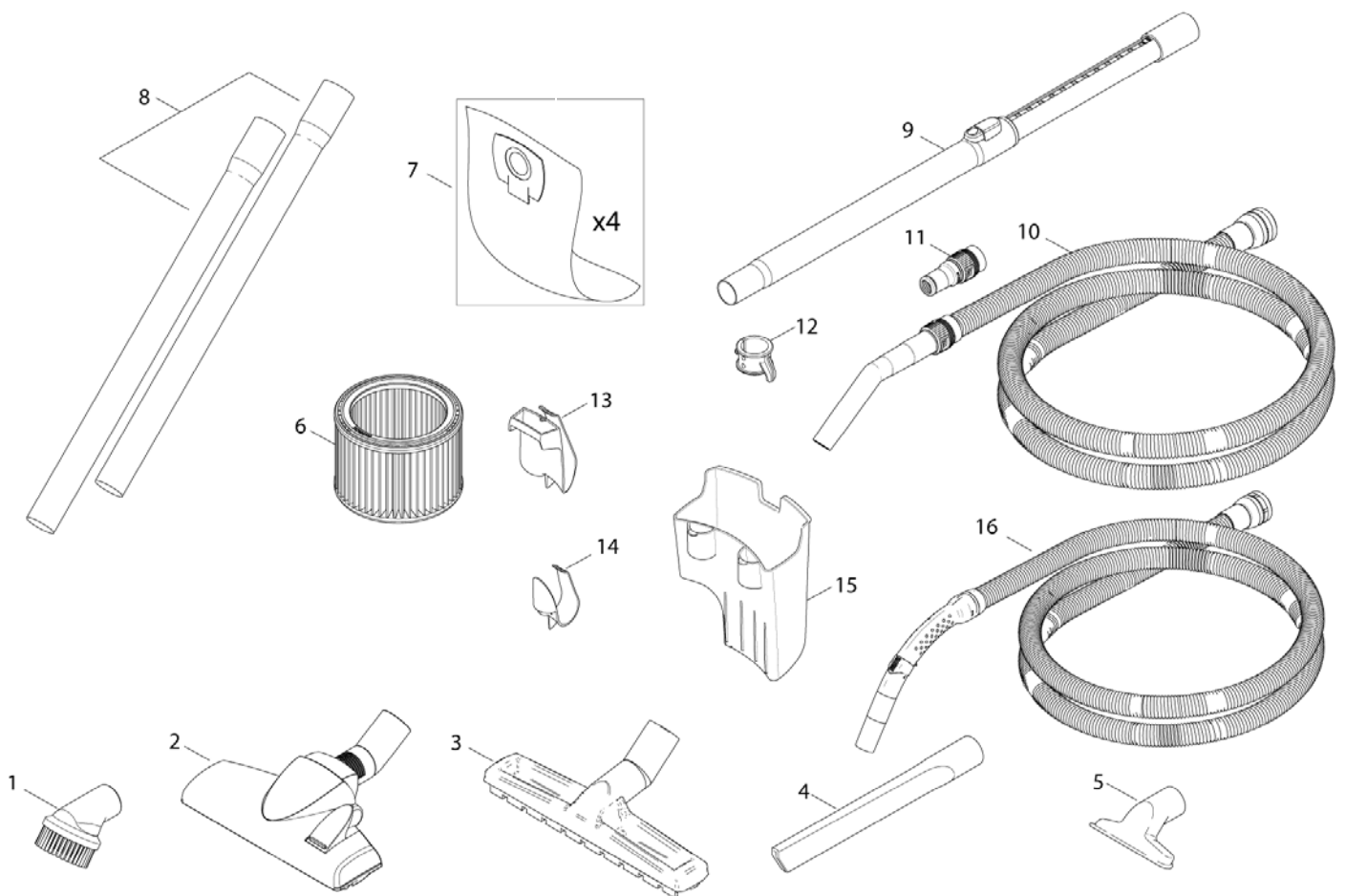
# Accessories

AERO 26

16-02-2015

Part List ID  
AERO2112

15



# Accessories

AERO 26

16-02-2015

Part List ID  
AERO2112

16

Pos	Part no.	Qty	Description
00	107412600	1	BOX AERO 26 X10
00	107412601	1	BOX AERO 21 10X
00	107412602	1	BOX AERO 31 10X
01	302002509	1	SUCTION BRUSH D36 BLACK
02	302002365	1	COMBI NOZZLE Ø36X260MM
03	107402706	1	FLOOR NOZZLE D36 W/D -KIT
03	107407310	1	FLOOR NOZZLE D32 RUBBER STRIP
03	107407311	1	FLOOR NOZZLE D32 BRUSH
04	29541	1	CREVICE NOZZLE D36X200
05	14295	1	UNIVERSAL NOZZLE D36X115
06	302000490	1	FILTER ELEMENT Ø185X140 PET M-CLASS
07	302002404	1	FILTER BAG AERO 4 PCS
08	107400032	1	EXTENSION TUBE D36 2X500MM ALU
08	302000529	1	EXTEN TUBE D36 2X505MM ST/CR
08	40696	1	EXTENSION TUBE D36 2X515MM PLASTIC
09	107402654	1	TELESCOPIC TUBE D36 575-930MM CR-ST
09	107402705	1	TELESCOPIC TUBE PLAST.-KIT
10	107409976	1	UNIV HOSE WITH HAND TUBE D32X3500 CPL.
11	107409977	1	TOOL ADAPTER WITH SUCTION REGULATION D32
12	107409978	1	TELESCOPIC TUBE HOLDER KIT D32
12	107409979	1	TUBE HOLDER KIT D36
13	107409981	1	HOSE/CABLE HOOK. AERO 21
15	107409980	1	TOOL BOX. AERO 26/31
16	107405599	1	SUCTION HOSE D32X2500 CPL.
16	107405600	1	SUCTION HOSE D32x1900 CPL.
16	107406115	1	SUCTION HOSE D32X3500 CPL.



# Recommended Spare Parts

AERO 26

16-02-2015

Part List ID

AERO2614

17

No Drawing For Part List

# Recommended Spare Parts

AERO 26

16-02-2015

Part List ID  
AERO2614

18

Pos	Part no.	Qty	Description
	107400032	1	EXTENSION TUBE D36 2X500MM ALU
	107400059	1	SOCKET 16A/250V CH
0	107402646	1	FILTER SUPPORT CAGE ATTIX/AERO PP
	107402654	1	TELESCOPIC TUBE D36 575-930MM CR-ST
	107402706	1	FLOOR NOZZLE D36 W/D -KIT
	107404540	1	SWITCH 0-1 DOUBLE POLE SET
	107404542	1	ANTI-INTEFERENCE CAPACITOR SET
	107405599	1	SUCTION HOSE D32X2500 CPL.
	107405600	1	SUCTION HOSE D32x1900 CPL.
	107406115	1	SUCTION HOSE D32X3500 CPL.
	107409130	1	CLAMP
	107409131	1	RUBBER STRAP
	107409133	1	POWER CORD EU
	107409135	1	SWITCH 1-0-TOOL
	107409144	1	CABLE REWIND
	107409156	1	SWITCH
	107409160	1	MOTOR KIT 1000W 220-240V/50-60HZ
	107409162	1	MOTOR KIT 1000W 110-120V/50-60HZ
	107409163	1	UPPER MOTOR SEALING
	107409164	1	LOWER MNOTOR SEALING
	107409165	1	SEALING FILTER
0	107409188	1	PCBA CHAMELEON 21 EA 230V
	107409190	1	PCBA CHAMELEON 2L EA SPEED REG 230V
	107409976	1	UNIV HOSE WITH HAND TUBE D32X3500 CPL.
	107409977	1	TOOL ADAPTER WITH SUCTION REGULATION D32
	107409978	1	TELESCOPIC TUBE HOLDER KIT D32
	107409979	1	TUBE HOLDER KIT D36
140	6422 500	1	WHEELS LINK 50MM
	14295	1	UNIVERSAL NOZZLE D36X115
	29541	1	CREVICE NOZZLE D36X200
	302000490	1	FILTER ELEMENT Ø185X140 PET M-CLASS
	302000529	1	EXTEN TUBE D36 2X505MM ST/CR
	302000692	1	POWER CORD H07BQ-F3G1.5X8.2 CE
	302001185	1	SOCKET 10A/250V AU
	302002052	1	PLUG SOCKET PLATE
	302002365	1	COMBI NOZZLE Ø36X260MM
	302002404	1	FILTER BAG AERO 4 PCS
	302002509	1	SUCTION BRUSH D36 BLACK
	302004034	1	SOCKET 16A/250V EU
	302004336	1	SOCKET 13A/250V GB
	302004338	1	SOCKET 15A/125V US/CSA
	40696	1	EXTENSION TUBE D36 2X515MM PLASTIC
	61130	1	POWERCORD H05VV-F 3G1.5X5.7M C

# Recommended Spare Parts

AERO 26

16-02-2015

Part List ID  
AERO2614

19

Pos	Part no.	Qty	Description
	909100083	1	TORSION SPRING D0.9X18X45 INOX