

BA 625/ BA 725/ BA 825

Model:
BA 625
BA 725
BA 725 C
BA 825



Part List US-English

22-04-2010

Table of Contents

BA 625/ BA 725/ BA 825

Chassis system	3
Chassis system - Squeegee linkage assy	6
Decal system	8
Recovery system	10
Scrub system - disk (BA 625/725)	12
Scrub system - disk (BA 625/725) - old parts	15
Scrub system - disk (BA 625/725/825)	17
Scrub system - Cylindrical	19
Solution system / electrical-1	22
Solution system / electrical-2	24
Paddle assembly	27
Squeegee assembly 1	29
Squeegee assembly 2	31
Wiring diagram - before September 2009	33
Wiring diagram - after August 2009	36
Optional kits and accessories	39
Brush selector guide-disk	42
Brush selector guide-cylindrical	44
56315168 - Extended Scrub 24V Kit	46
56315312 - Squeegee Wand Kit	48
56315845 - EDS Onboard Chemical Kit	50
56315846 - Battery Charger Kit	52
56315860/56315863 - BA 625 / 825 Disk Kit	54
56315861/56315862 - BA 725 Disk Kit / BA 725C Cyl.	56
56315767 - Squeegee Linkage Kit	58
56380497 - Transaxle Kit 24 V	60
56380503 - Transaxle Hub Kit	62

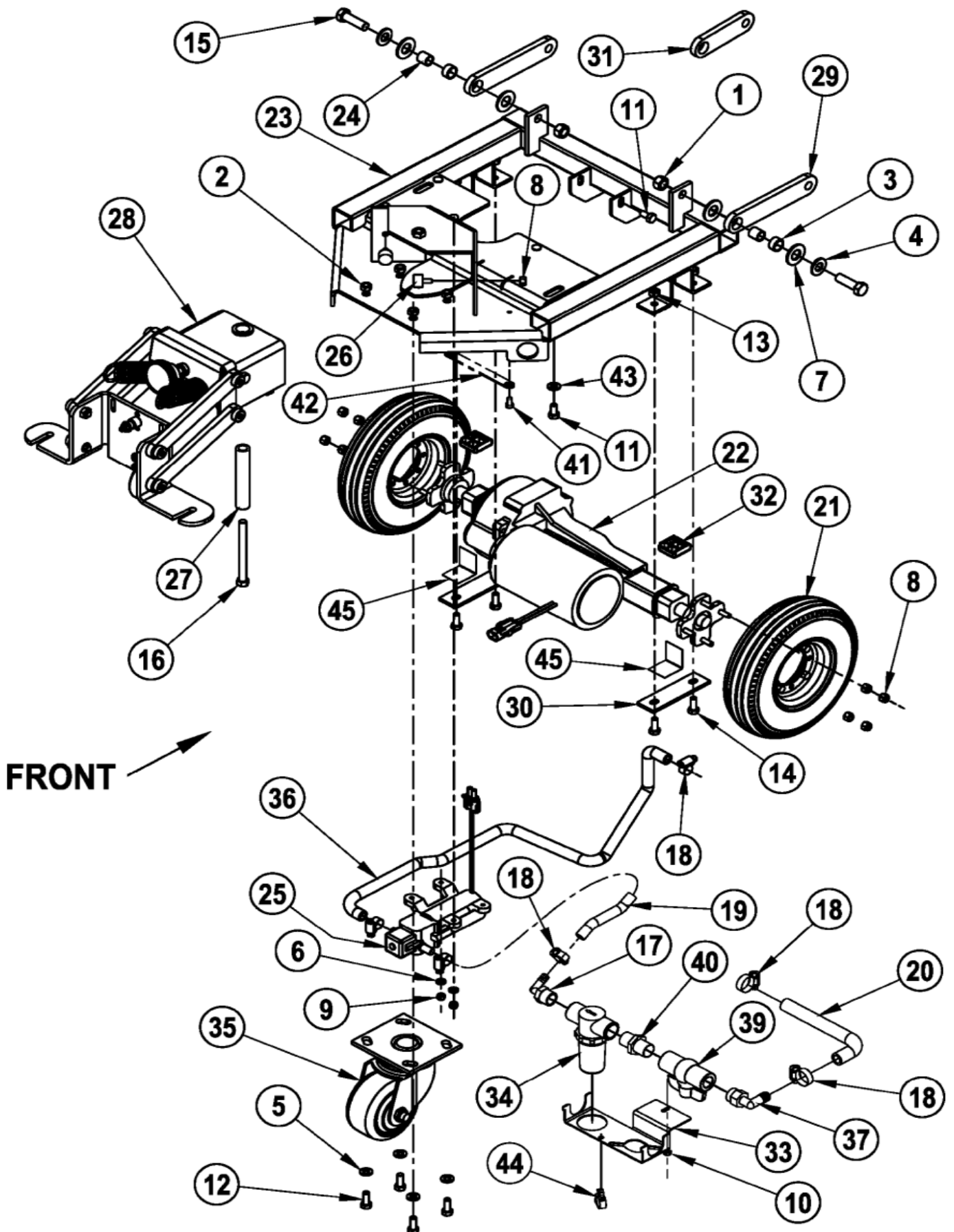
Chassis system

BA 625/ BA 725/ BA 825

22-04-2010

Part List ID
E20313

3



Chassis system

BA 625/ BA 725/ BA 825

22-04-2010

Part List ID
E20313

4

Pos	Part no.	Qty	Description	EAN
1	56003312	2	NUT HEX NYL LOC M12 1.75	
2	56003389	4	NUT HEX NYL LOC M8X1.25	
3	56370878	2	BEARING SLEEVE .627CV213FE0202	
4	56001879	2	WSH FLT SAE 1/2	
5	56001939	4	WSH FLT SAE 5/16	
6	56001954	2	WSH FLT SAE 10	
7	56002022	4	WSH FLT SAE 5/8	
8	56002708	10	NUT HEX NYL LOC 1/4 20	
9	56002768	2	NUT HEX NYL LOC 10 24	
10	56002832	1	NUT HEX NYL LOC THIN 10 24	
11	56003012	3	SCR HEX SS 5/16 18 X .75	
12	56003179	4	SCR HEX THD/HD M8 1.25X20MM	
13	56003405	4	NUT HEX NYL LOC SS M8X1.25	
14	56003435	4	SCR HEX SS M8 1.25X20MM	
15	56003637	2	SCR HEX M12 1.75 X 40MM	
16	56009241	1	SCR HEX 3/8 16X4.25	
17	56900033	1	ELBOW BARB E00037	
18	56219932	6	CLAMP HOSE SAE 6 E00047	
19	56244991	1	TUBE PVC .375X15 E00552	
20	56262180	1	HOSE SPIRAL .50 X 7 E00604	
21	56315115	2	WHEEL DRIVE	TSBUS2006-941
22	56315062	1	TRANSAXLE 24V	M1 - TSBUS2008-1014
22	56315377	1	MOTOR	NOT SHOWN
22	56315378	4	BRUSH KIT SET OF 4	NOT SHOWN
22	56315379	2	MOUNTING SLEEVE NEOPRENE	NOT SHOWN
22	56380161	1	KIT COUPLING	
22	56380497	1	KIT TRANSAXLE 24V	NOT SHOWN - TSBUS2008-1014
22	56380503	1	KIT HUB TRANSAXLE 24V	NOT SHOWN
23	56315076	1	WELDMENT CHASSIS	TSBUS2005-895
24	56315080	2	BUSHING	
25	56315108	1	PUMP 24V	M8
26	56315111	2	CYLINDRICAL MOUNT	
27	56315154	1	BUSHING SPACER	
28	56315165	1	ASSEMBLY SQUEEGEE LINKAGE	
29	56315179	2	LINKAGE ARM	
30	56315234	2	PLATE	NOTE 1
30	56380499	2	PLATE TRANSAXLE	NOTE 2
31	56315239	1	LINKAGE ARM	ONLY USED BEFORE MAY 2007
32	56315258	2	SHIM	
33	56315260	1	BRACKET FILTER MOUNT	

NOTE 1: Used on all models before SN 2062812.

NOTE 2: Used on all models after SN 2062812.

NOTE 3: Only used on machines between the following serial numbers;
All models - between SN 2062812 & 2063621.

Chassis system

BA 625/ BA 725/ BA 825

22-04-2010

Part List ID E20313

5

Pos	Part no.	Qty	Description	EAN
34	56315296	1	SOLUTION FILTER	
35	56365555	1	CASTER SWIV 4.0X2.0	
36	56391802	1	HOSE E00603	
37	56409152	1	BARB 90 1/2 NPTX1/2 E00037	
39	56315607	1	BALL VALVE	
40	56412182	1	COUPLING 1/2NPT TO 1/2NPT	
41	56009030	1	SCR PAN PHIL THD FOM 10 24X.38	
42	56467544	1	CHAIN ASSEMBLY	
43	56002220	2	WSH FLT STD 5/16	
44	56900756	1	CLIP E00360	
45	56380496	2	SHIM ANGLE TRANSAXLE	NOTE 3

NOTE 1: Used on all models before SN 2062812.

NOTE 2: Used on all models after SN 2062812.

NOTE 3: Only used on machines between the following serial numbers;
All models - between SN 2062812 & 2063621.

Chassis system - Squeegee linkage assy

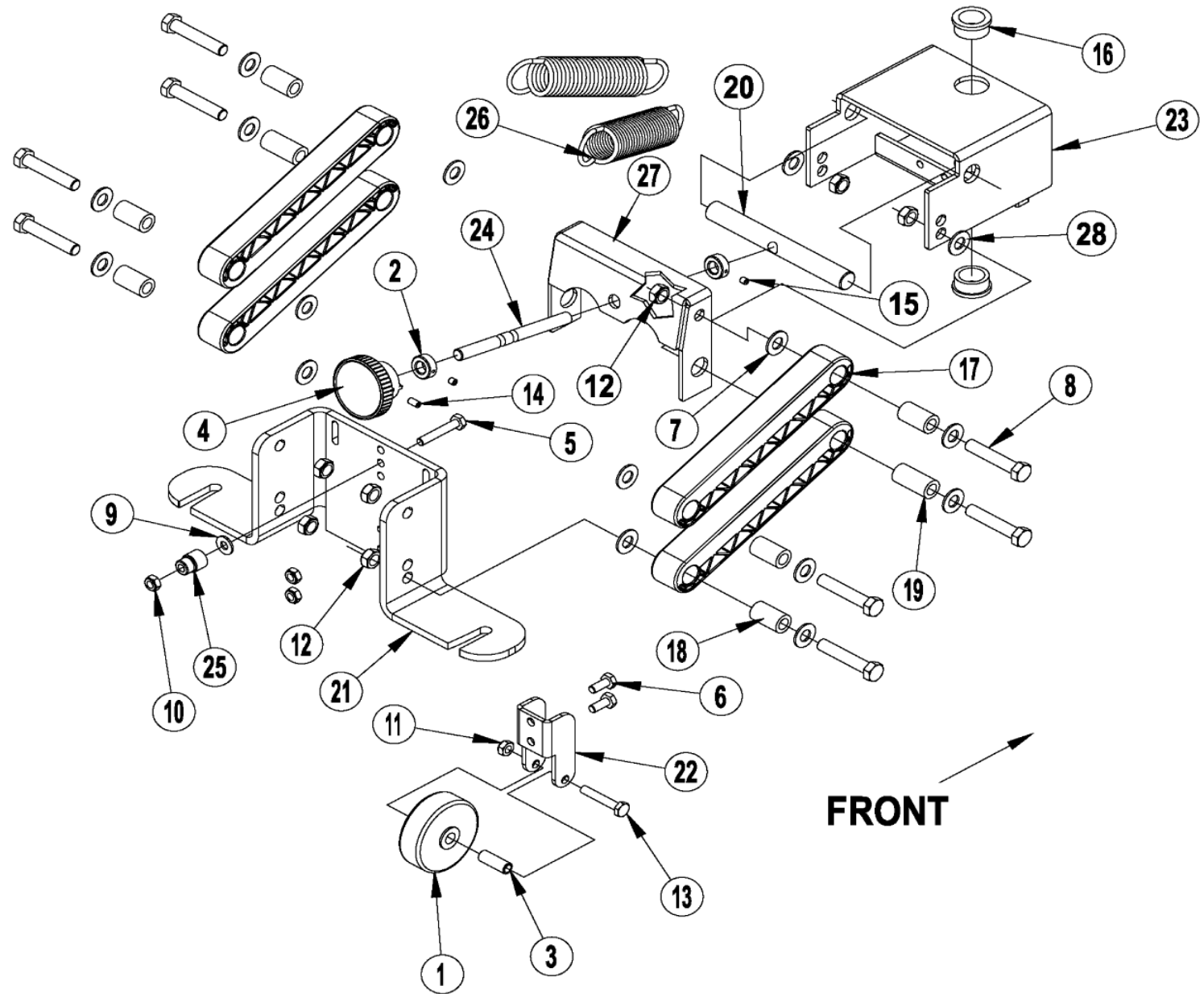
BA 625/ BA 725/ BA 825

22-04-2010

Part List ID

E20315

6



Chassis system - Squeegee linkage assy

BA 625/ BA 725/ BA 825

22-04-2010

Part List ID E20315

7

Pos	Part no.	Qty	Description	EAN
	56315165	1	ASSEMBLY SQUEEGEE LINKAGE	
1	56324350	1	WHEEL	
2	56331076	2	COLLAR .38X.75X.31 HC611C	
3	56315580	1	BUSHING STAINLESS	
4	56475480	1	KNOB 2.00X.375 RE253C	
5	56001833	1	SCR HEX 1/4 20 X 1.50	
6	56001836	2	SCR HEX 1/4 20 X .62	
7	56002063	14	WSH FLT SAE 3/8	
8	56002091	8	SCR HEX 3/8 16 X 2.00	
9	56002098	1	WSH FLT SAE 1/4	
10	56002840	3	NUT HEX NYL LOC THIN 1/4 20	
11	56002850	1	NUT HEX NYL LOC THIN SS 1/4 20	
12	56002852	8	NUT HEX NYL LOC THIN SS 3/8 16	
13	56002901	1	SCR HEX SS 1/4 20 X 1.50	
14	56003123	1	SCR SOC SET 10 24 X .38	
15	56009084	2	SCR SOC SET LOC 10 24X.19	
16	56250414	2	BEARING FLANGE .752FA 1J E00201	
17	56315941	4	LINKAGE ARM MOLDED	
18	56315067	6	SPACER PHENOLIC	
19	56315068	2	SPACER PHENOLIC	
20	56315082	1	PIN	
21	56315151	1	BRACKET SQUEEGEE MOUNT	
22	56315153	1	BRACKET WHEEL	
23	56315196	1	WELDMENT SQUEEGEE LIFT	
24	56315240	1	ROD ADJUSTMENT	
25	56315245	1	BUSHING SQUEEGEE CABLE	
26	56315295	2	SPRING EXTENSION	
27	56315713	1	BRACKET SQUEEGEE LEVEL	
28	56002940	2	WSH FLT SAE SS 5/8	

Decal system

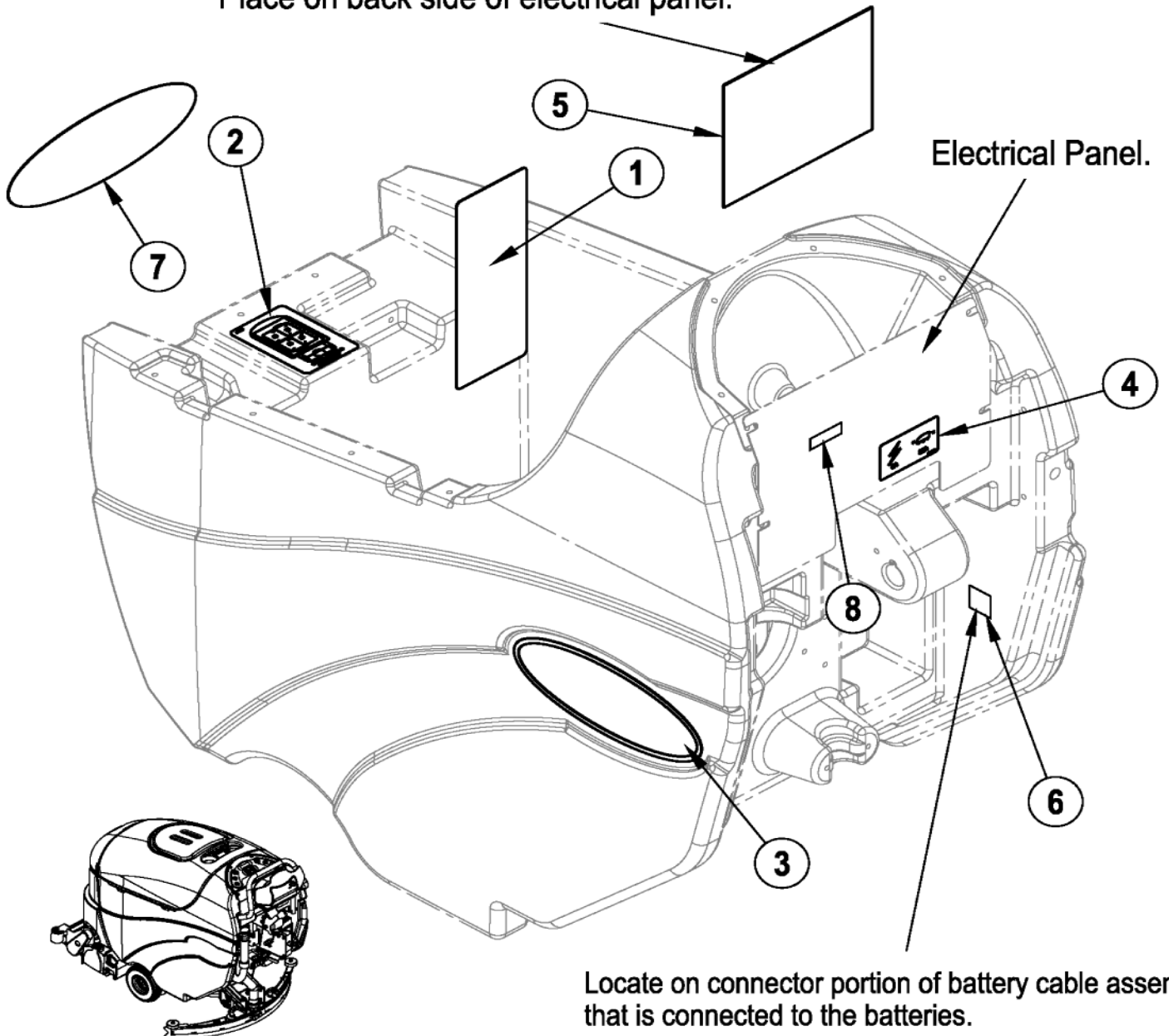
BA 625/ BA 725/ BA 825

22-04-2010

Part List ID
E20317

8

Place on back side of electrical panel.



Locate on connector portion of battery cable assembly that is connected to the batteries.

Decal system

BA 625/ BA 725/ BA 825

22-04-2010

Part List ID E20317

9

Pos	Part no.	Qty	Description	EAN
1	56014601	1	DECAL CAUTION	
3	56315830	2	DECAL BA 625	
3	56315831	2	DECAL BA 725	
3	56315832	2	DECAL BA 825	
4	56016690	1	DECAL CIRCUIT BREAKER	
5	56109684	1	DECAL LADDER DIAGRAM	
6	56054192	1	DECAL CHARGER WCA398K	
7	56317130	1	DECAL NILFISK	
8	56014450	1	DECAL PATENT	

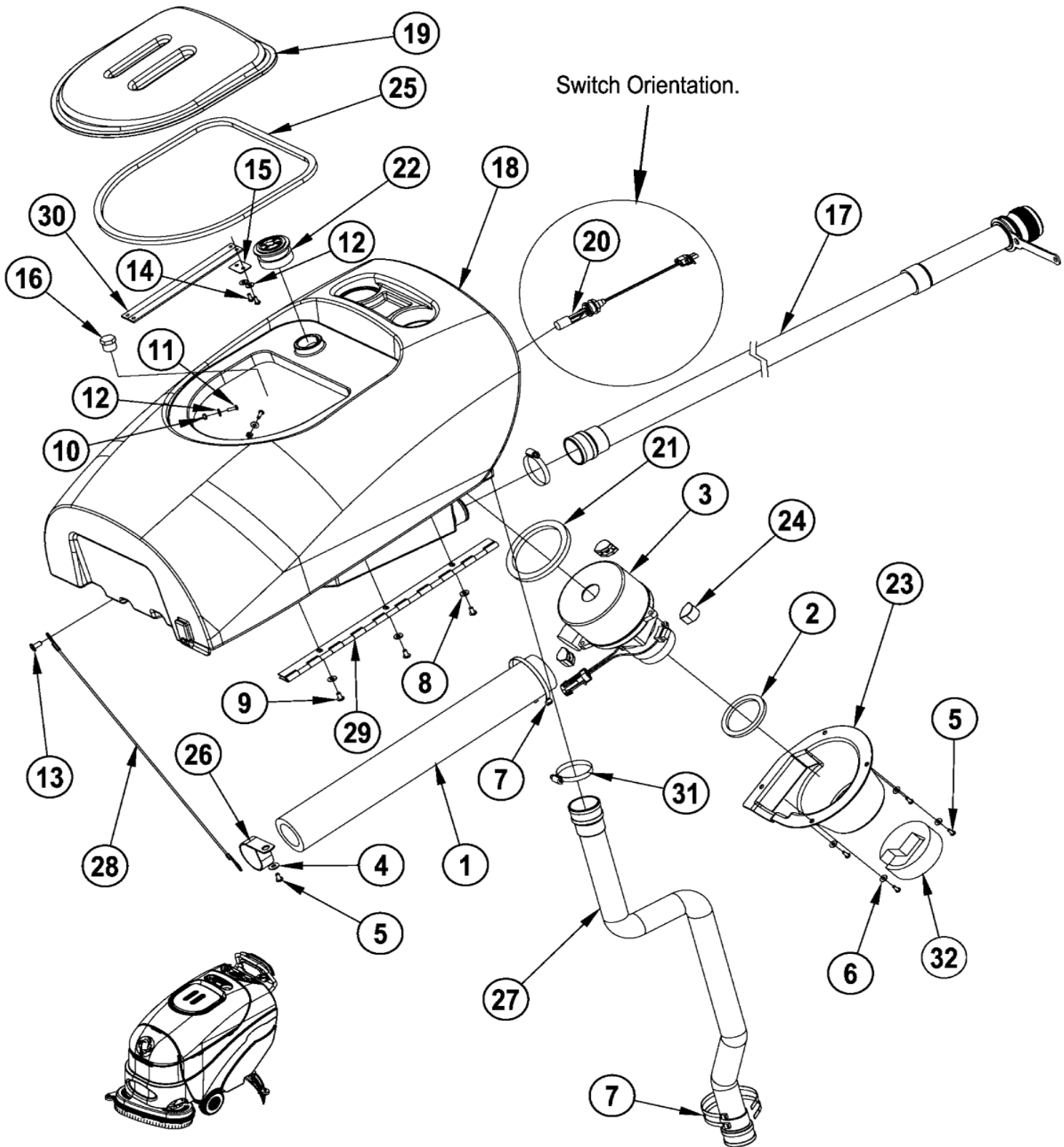
Recovery system

BA 625/ BA 725/ BA 825

22-04-2010

Part List ID
E20319

10



Recovery system

BA 625/ BA 725/ BA 825

22-04-2010

Part List ID
E20319

11

Pos	Part no.	Qty	Description	EAN
1	56315847	1	FOAM TUBE ASSEMBLY	
2	56412154	1	GASKET VACUUM DUCT	
3	56380529	1	CARBON BRUSH/SET OF 2	FOR 56412300 - NOTE 3 - NOT SHOWN
3	56397098	1	CARBON BRUSH SET	FOR 56412300 - NOTE 3 - NOT SHOWN
3	56412300	1	VAC MOTOR ASSY.	(M4)
4	56001906	1	WSH FLT STD 1/4	
5	56001993	5	SCREW 10 24 X 0.5 ZINC PL	
6	56002053	4	WSH FLT STD 10	
7	56477613	3	CABLE TIE E00549 RE409S	
8	56002098	3	WSH FLT SAE 1/4	
9	56002145	3	SCR PAN PHIL 1/4 20 X .50	
10	56002849	2	NUT HEX NYL LOC THIN SS 10 24	
11	56002896	2	SCR PAN PHIL SS 10 24 X .62	
12	56002919	4	WSH FLT STD SS #10	
13	56003003	1	SCR PAN PHIL 5/16 18X.62	
14	56009005	2	SCR PANPHILS TYPE AB 10 16X.75	
15	56315346	1	PLATE	
16	56305464	1	PLUG PIPE E00040	NOTE 1
17	56601400	1	DRAIN HOSE	NOTE 2 - OPTIONAL
17	56601410	1	DRAIN HOSE EXTENSION	FOR USE WITH 56601400 - NOT SHOWN
17	56601411	1	DRAIN HOSE CAP KIT	NOT SHOWN
17	56601412	1	DRAIN HOSE KIT	NOTE 2 - NOT SHOWN
18	56315779	1	TANK RECOVERY	
19	56315176	1	RECOVERY LID	
20	56315096	1	SWITCH FLOAT	(S4)
21	56315098	1	GASKET VAC MOTOR	
22	56315099	1	SCREEN PIPE INLET	
23	56315102	1	SHROUD ONE VAC MOTOR	
24	56315141	3	MOUNT VIBRATION	
25	56315220	1	GASKET RECOVERY LID	
26	56315257	1	CLAMP P	
27	56315268	1	VAC HOSE 1.5	
28	56315272	1	CABLE ASSEMBLY	
29	56315293	1	HINGE	
30	56315303	2	RETAINING STRAP	
31	56440213	2	CLAMP HOSE SAE 32E00047	

NOTE 1: Not used after March 2008.

NOTE 2: Drain Hose 56397142 has been replaced by Drain Hose 56601400 in production. When replacing 56397142 you need to order Drain Hose Kit 56601412.

NOTE 3: If your vacuum motor has a serial tag from Lamb Electric (Ametek) order Carbon Brush Set 56397098. If your vacuum motor has a serial tag from Nilfisk-Advance order Carbon Brush Set 56380529.

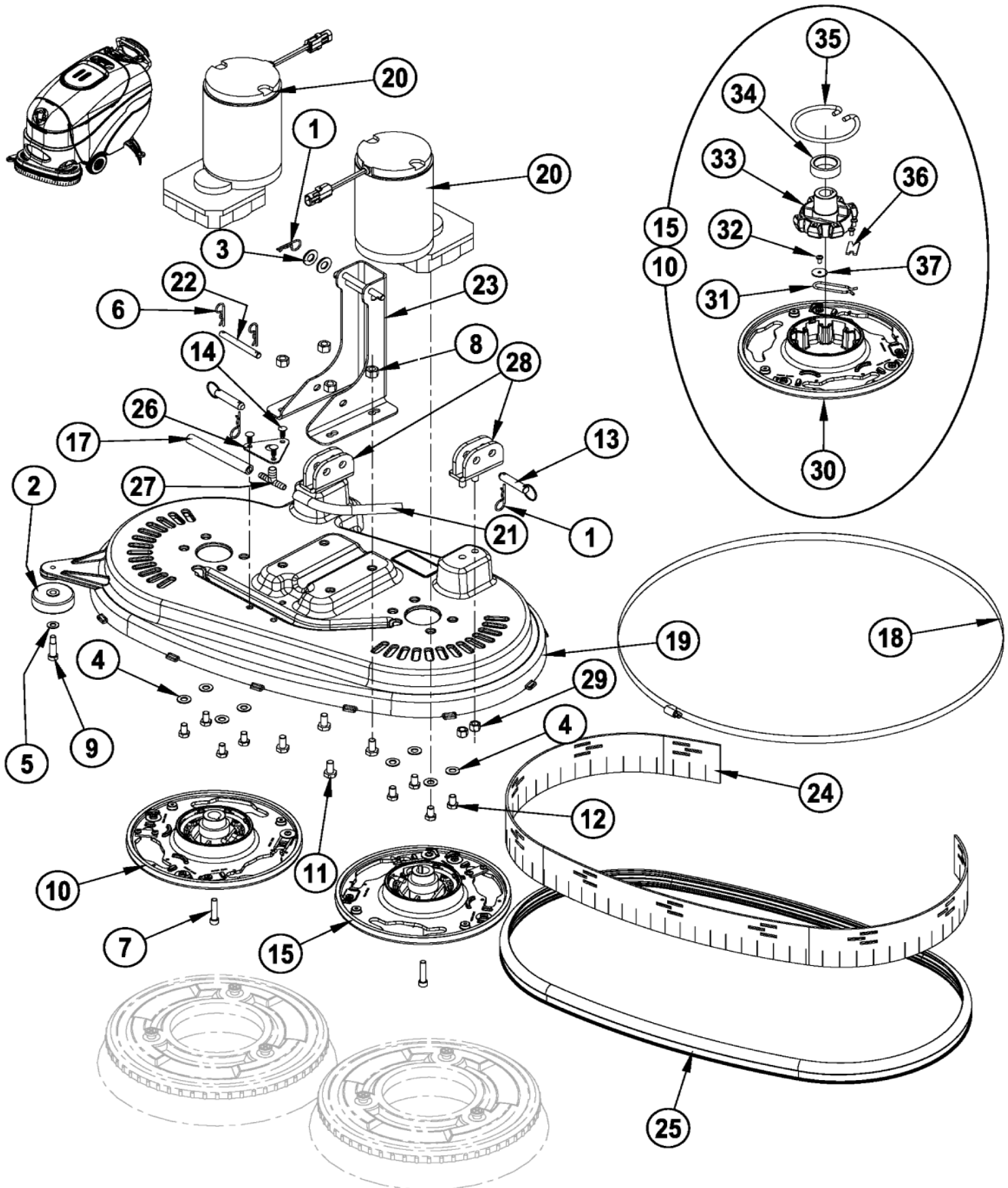
Scrub system - disk (BA 625/725)

BA 625/ BA 725/ BA 825

22-04-2010

Part List ID
E203110

12



Scrub system - disk (BA 625/725)

BA 625/ BA 725/ BA 825

22-04-2010

Part List ID
E203110

13

Pos	Part no.	Qty	Description	EAN
0	56109625	2	BRUSH PLATE KIT COUNTER CLOC	upgrade from 56396080
0	56109626	2	BRUSH PLATE KIT CLOCKWISE	upgrade from 56396081
0	56315838	2	HARNES FILTER	NOT SHOWN
0	56413883	2	FERRITE BEAD	NOT SHOWN
1	56002959	3	PIN COT HAIR SS.090XDIA.50/.75	NOTE 3
2	56324350	1	WHEEL	
3	56001879	2	WSH FLT SAE 1/2	NOTE 3
4	56002910	8	WSH FLT SAE SS 3/8	
5	56002938	1	WSH FLT SAE SS 5/16	
6	56003120	2	PIN COT HAIR.093XDIA .25 .50	
7	56002201	2	SCR SOC HD 5/16 18 X 1.50	NOTE 5
8	56003438	4	NUT HEX NYL LOC SS M10 1.50	
9	56003472	1	SCR SOC SHD.38X1.00X5/16 18	
10	56109651	1	BRUSH PLATE ASSY CCW	(30-37) NOTE 5 - TSBUS2009-1039
11	56003533	4	SCR HEX SS M10 1.50X20MM	
12	56003674	8	SCR HEX LOC SS 3/8 24 X .62	
13	56003679	2	PIN RING .50 X 1.63	
14	56003693	3	RIVET NYLON TREE PUSH IN.218	
15	56109652	1	BRUSH PLATE ASSY CW	(30-37) NOTE 5 - TSBUS2009-1039
17	56257534	1	TUBE PVC .38 X 5.50FA39TE00552	
18	56315742	1	BAND CLAMP ADJUSTABLE	(BA 625)
18	56315759	1	BAND CLAMP ADJUSTABLE	(BA 725)
19	56315586	1	SCRUB DECK DISC CAST 24	BA 625 NOTE 2
19	56315588	1	SCRUB DECK DISC CAST 28	BA 725 NOTE 2
20	56315056	2	ASM MOTOR&GEAR UNIT 24V .42HP	(M2 / M3)
20	56315376	4	BRUSH ASSEMBLY	NOT SHOWN
20	56397138	4	BRUSH SPRING	NOT SHOWN

NOTE 1: The previous solution hose design which consisted of a Reducer (56418669), Hose Clamps (56219932) and a smaller 3/8" diameter Hose (56456830) to the scrub deck has been replaced in production with a single 1/2" diameter hose (56264318). If ordering Tee 56397300 for a machine with this previous design solution hose you will also need to order Solution Hose 56264318. See NOTE 1 on SOLUTION SYSTEM/ ELECTRICAL-1.

NOTE 2: The Deck Casting (item #19) has been redesigned. The old style castings (56315053 - 28", 56315054 - 26" & 56315055 - 24") are no longer available. If you have a machine built prior to this change (old style deck assembly DOES NOT include item 38) and need to replace one of these deck castings you need to order one of the kits listed below. These kits include items (8, 11, 14, 19, 23, 38, 39).

Old Deck	Order Kit
56315053 (28")	56315727
56315054 (26")	56315726
56315055 (24")	56315725

NOTE 3: Actuator Weldment Item #23 has been redesigned (in April of 2007) to accommodate a new upper deck linkage

arm (see Solution System/ Electrical-1). The redesigned weldment is backwards compatible to the previous design.

The new design does not use item #3 and the quantity of item #1 is reduced to 2.

NOTE 4: Extruded Bumpers PNs 56315318, 56315277 & 56315276 are obsolete. If you need to replace one of these

bumpers please order one of the kits listed below.

Old Bumper	Order Kit
56315318 (28")	56315764
56315277 (26")	56315763
56315276 (24")	56315762

Scrub system - disk (BA 625/725)

BA 625/ BA 725/ BA 825

22-04-2010

Part List ID
E203110

14

Pos	Part no.	Qty	Description	EAN
21	56315060	1	HOSE PVC E00552	
22	56315161	1	PIN	
23	56315719	1	DECK ACTUATOR WELDMENT	(BA 725) NOTE 2 - NOTE 3
24	56315274	1	BLADE DECK FABRIC 24	(BA 625 / BA 725)
25	56315752	1	EXTRUDED BUMPER 24 DECK	(BA 625) NOTE 4
25	56315754	1	EXTRUDED BUMPER 28 DECK	(BA 725) NOTE 4
26	56315339	1	BRACKET	
27	56397300	1	TEE BARB	NOTE 1
28	56315373	2	DECK MOUNT BRKT WELDT RHS	NOTE 2
29	56002769	4	NUT HEX NYL LOC 3/8 16	NOTE 2
30	56601118	1	BRUSH PLATE	NOTE 5
				5711143106
32	56009247	3	SCR PN PHIL PLASTITE 10 14X.38	NOTE 5
33	56601520	1	GIMBAL MOTOR	NOTE 5
				5711143107
34	61658A	1	COLLAR BRUSH DRIVER 26/32 VIS	NOTE 5
				5711143059
35	56601056	1	SPRING BRUSH HOLDER	NOTE 5
				5711143106
36	56366455	1	PLATE CV24B	NOTE 5
37	56009002	1	WASHER FLAT .266X.906X.060	NOTE 5

NOTE 1: The previous solution hose design which consisted of a Reducer (56418669), Hose Clamps (56219932) and a smaller 3/8" diameter Hose (56456830) to the scrub deck has been replaced in production with a single 1/2" diameter hose (56264318). If ordering Tee 56397300 for a machine with this previous design solution hose you will also need to order Solution Hose 56264318. See NOTE 1 on SOLUTION SYSTEM/ ELECTRICAL-1.

NOTE 2: The Deck Casting (item #19) has been redesigned. The old style castings (56315053 - 28", 56315054 - 26" & 56315055 - 24") are no longer available. If you have a machine built prior to this change (old style deck assembly DOES NOT include item 38) and need to replace one of these deck castings you need to order one of the kits listed below. These kits include items (8, 11, 14, 19, 23, 38, 39).

Old Deck	Order Kit
56315053 (28")	56315727
56315054 (26")	56315726
56315055 (24")	56315725

NOTE 3: Actuator Weldment Item #23 has been redesigned (in April of 2007) to accommodate a new upper deck linkage arm (see Solution System/ Electrical-1). The redesigned weldment is backwards compatible to the previous design.

The new design does not use item #3 and the quantity of item #1 is reduced to 2.

NOTE 4: Extruded Bumpers PNs 56315318, 56315277 & 56315276 are obsolete. If you need to replace one of these

bumpers please order one of the kits listed below.

Old Bumper	Order Kit
56315318 (28")	56315764
56315277 (26")	56315763
56315276 (24")	56315762

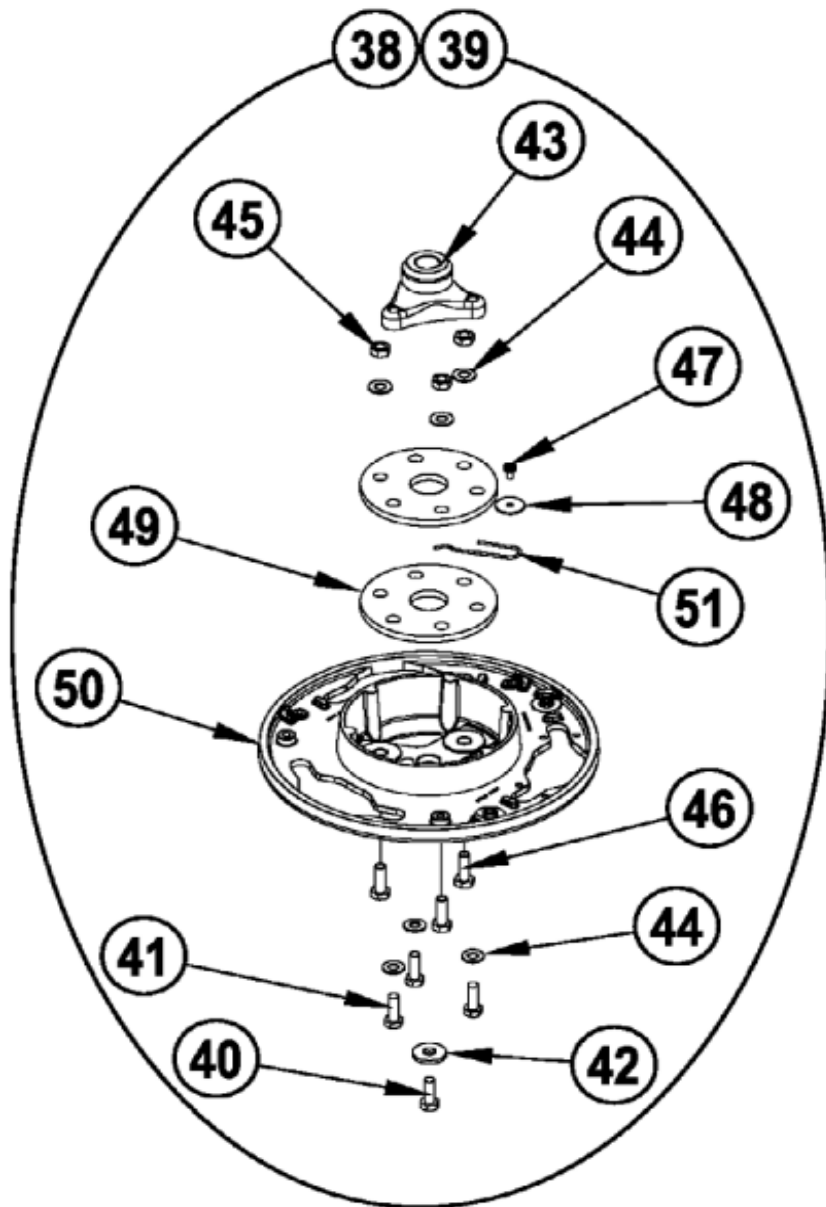
Scrub system - disk (BA 625/725) - old part

BA 625/ BA 725/ BA 825

22-04-2010

Part List ID
E203111

15



Scrub system - disk (BA 625/725) - old part

BA 625/ BA 725/ BA 825

22-04-2010

Part List ID
E203111

16

Pos	Part no.	Qty	Description	EAN
38	56396080	1	LUG COUNTERCLOCKWISE ASSY. (40-51) NOTE 5	
39	56396081	1	LUG CLOCKWISE ASSY. (40-51) NOTE 5	
40	56003335	2	SCR HEX LOC SS 5/16 18 X .88	
41	56003477	6	SCR HX NYLOC SS M8 1.25 X 25MM	
42	56009107	2	WSH FLT SS .378/.373X1.00X.075	
43	56314108	2	HUB DRIVE	
44	56002938	6	WSH FLT SAE SS 5/16	
45	56003405	3	NUT HEX NYL LOC SS M8X1.25	
46	56003639	3	SCR HEX SS M8 1.25 X 30MM	
47	56009030	1	SCR PAN PHIL THD FOM 10 24X.38	
48	56009096	1	WSH FLT .193X.875X.060	
49	56407053	2	THERMOID DISC	
50	56314030	1	BRUSH HOLDER	
51	56397081	1	SPRING RETAINER	

NOTE 5: Drive Lugs 56396080 and 56396081 are both obsolete and replaced by 56109625 and 56109626 respectively.

The old individual parts are still available for replacement and listed here

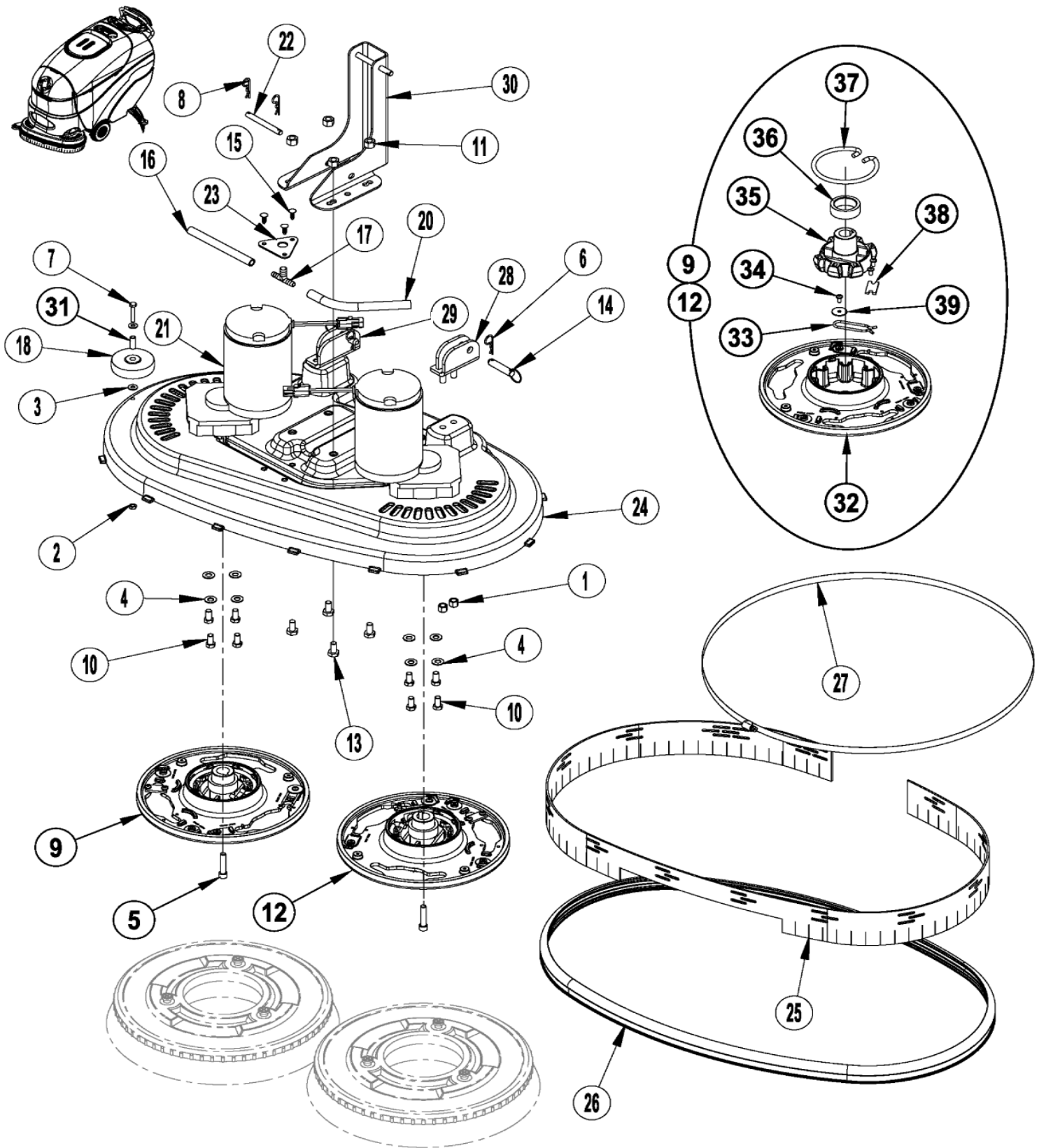
Scrub system - disk (BA 625/725/825)

BA 625/ BA 725/ BA 825

22-04-2010

Part List ID
E203113

17



Scrub system - disk (BA 625/725/825)

BA 625/ BA 725/ BA 825

22-04-2010

Part List ID
E203113

18

Pos	Part no.	Qty	Description	EAN
0	56315838	2	HARNESSE FILTER	
0	56413883	2	FERRITE BEAD	
1	56002769	4	NUT HEX NYL LOC 3/8 16	
2	56002850	1	NUT HEX NYL LOC THIN SS 1/4 20	
3	56002859	2	WSH FLT SAE SS 1/4	5711143098
4	56002910	8	WSH FLT SAE SS 3/8	
5	56002201	2	SCR SOC HD 5/16 18 X 1.50	NOTE 1
6	56002959	2	PIN COT HAIR SS.090XDIA .50/.75	
7	56002880	1	SCR HEX LOC SS 1/4 20 X 1.75	
8	56003120	2	PIN COT HAIR.093XDIA .25 .50	
9	56109651	1	BRUSH PLATE ASSY CCW	(32-39) NOTE 1 - TSBUS2009-1039
10	56003338	8	SCR. HEX LOC SS 3/8 16X.75	
11	56003438	4	NUT HEX NYL LOC SS M10 1.50	
12	56109652	1	BRUSH PLATE ASSY CW	(32-39) NOTE 1 - TSBUS2009-1039
13	56003533	4	SCR HEX SS M10 1.50X20MM	
14	56003679	2	PIN RING .50 X 1.63	
15	56003693	3	RIVET NYLON TREE PUSH IN.218	
16	56396195	1	HOSE PVC E00552	
17	56397300	1	TEE BARB	
18	56049261	1	WHEEL	
20	56397301	1	HOSE PVC E00552	
21	56315056	2	ASM MOTOR&GEAR UNIT 24V .42HP	(M2 / M3)
21	56315376	4	BRUSH ASSEMBLY	NOT SHOWN
21	56397138	4	BRUSH SPRING	NOT SHOWN
22	56315161	1	PIN	
23	56315339	1	BRACKET	
24	56315859	1	SCRUB DECK DISC CAST 32	
25	56315626	1	BLADE DECK FABRIC 32	
26	56315755	1	EXTRUDED BUMPER 32 DECK	
27	56315761	1	BAND CLAMP ADJUSTABLE	
28	56315821	1	DECK MOUNT BRACKET WELDT LHS	
30	56315826	1	BRACKET WELDT	
31	56315580	1	BUSHING STAINLESS	
32	56601118	1	BRUSH PLATE	NOTE 1 5711143106
34	56009247	3	SCR PN PHIL PLASTITE 10 14X.38	NOTE 1
35	56601520	1	GIMBAL MOTOR	NOTE 1 5711143107
36	61658A	1	COLLAR BRUSH DRIVER 26/32 VIS	NOTE 1 5711143059
37	56601056	1	SPRING BRUSH HOLDER	NOTE 1 5711143106
38	56366455	1	PLATE CV24B	NOTE 1
39	56009096	1	WSH FLT .193X.875X.060	NOTE 1

NOTE 1: See NOTE 5 on SCRUB SYSTEM - DISK (BA 625, BA 725)

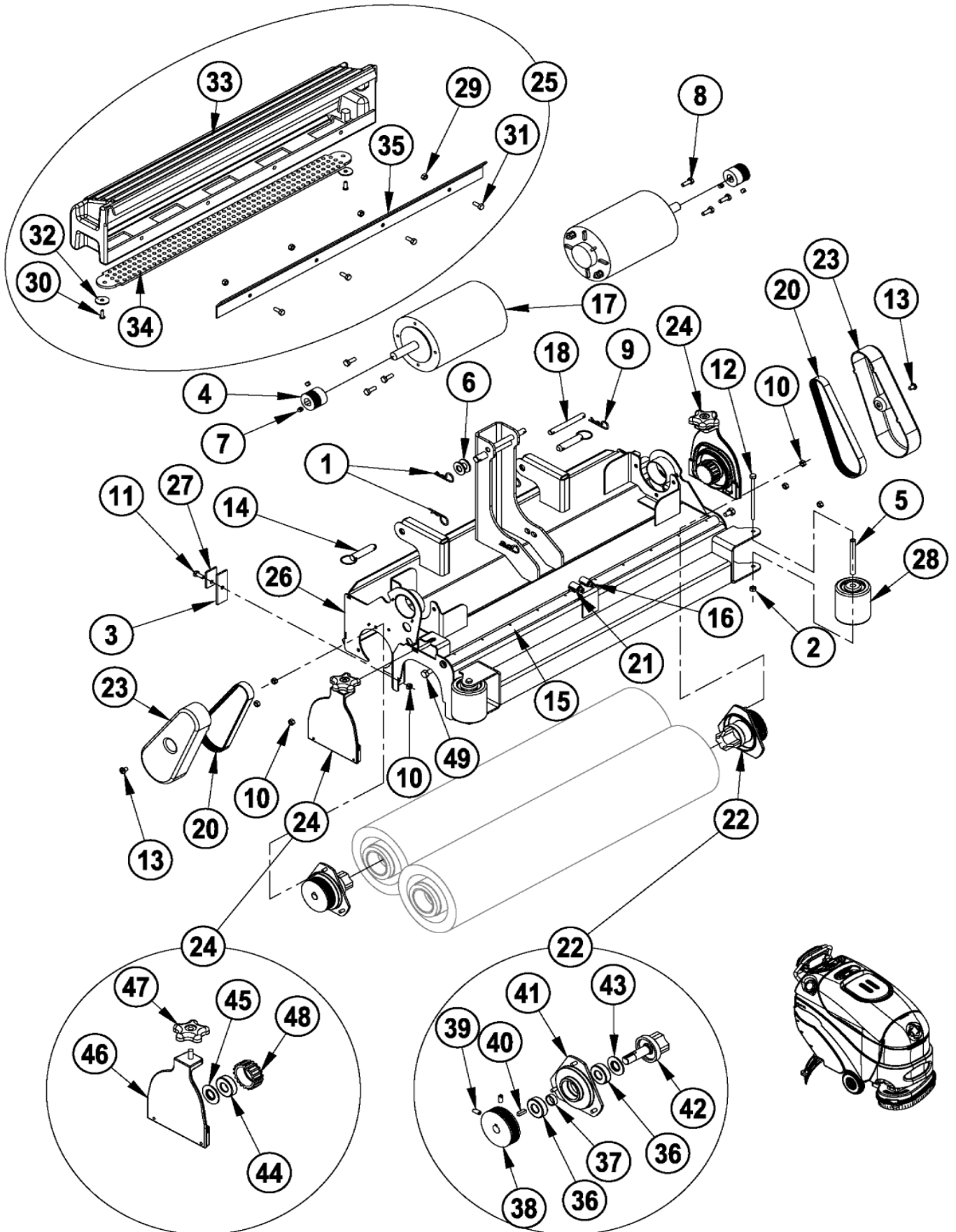
Scrub system - Cylindrical

BA 625/ BA 725/ BA 825

22-04-2010

Part List ID
E203115

19



Scrub system - Cylindrical

BA 625/ BA 725/ BA 825

22-04-2010

Part List ID
E203115

20

Pos	Part no.	Qty	Description	EAN
0	56315838	2	HARNESSE FILTER	NOT SHOWN
1	56002959	3	PIN COT HAIR SS.090XDIA .50/.75	NOTE 2
2	56003403	2	NUT HEX NYL LOC M6 X 1.00	
3	56407391	2	BLADE DECK GUM	
4	56407433	2	SHEAVE POLY V	
5	56412176	2	BUSHING	
6	56001879	6	WSH FLT SAE 1/2	NOTE 2
7	56002086	4	SCR SOC SET LOC 5/16 18 X .25	
8	56002948	6	SCR HEX LOC 1/4 20 X .75	
9	56003120	2	PIN COT HAIR.093XDIA .25 .50	
10	56003426	8	NUT HEX NYL LOC SS M6	
11	56003431	2	SCR HEX SS M6 1.00X16MM	
12	56003492	2	SCR HEX M6 1.0 X 95MM	
13	56003603	2	SCR PAN PHILTHDFORM 1/4 20X.38	
14	56003679	2	PIN RING .50 X 1.63	
15	56315355	2	MANIFOLD PVC 28	(BA 725)
16	56112771	2	CLAMP HOSE SAE 10 E00047	
17	56315061	2	MOTOR 24VDC .5HP 1800RPM	(M2 / M3)
17	56412287	1	MOTOR BRUSH/SPRING KIT	NOT SHOWN
18	56315161	1	PIN	
19	56315320	2	HARNESSE BRUSH	
20	56315321	2	BELT AUTO TENSION	
21	56262549	1	TEE E00455	NOTE 1
22	56315408	2	DRIVE END ASSEMBLY	(36-43)
23	56315445	2	COVER BELT	
24	56315448	2	IDLER END ASSEMBLY	(44-48)
25	56315459	1	HOPPER ASSEMBLY 28	(BA 725 / 29-35)
26	56315470	1	HOUSING WELDMENT 28	(BA 725)
27	56410214	2	STRAP	
28	56412459	2	WHEEL	
29	56003426	4	NUT HEX NYL LOC SS M6	
30	56002896	2	SCR PAN PHIL SS 10 24 X .62	
31	56003431	4	SCR HEX SS M6 1.00X16MM	
32	56009060	2	WSH FLT SS .260X1.000X.074	
33	56315460	1	HOPPER 28	(BA 725)
34	56315464	1	HOPPER SCREEN 28	(BA 725)
35	56315467	1	HOPPER BRACKET 28	(BA 725)
36	56106070	2	BEARING BALL Z22	

NOTE 1: The previous solution hose design which consisted of a Reducer (56418669), Hose Clamps (56219932) and a smaller 3/8 inch diameter hose (56456830) to the scrub deck has been replaced in production with a single 1/2 inch diameter hose (56264318). If ordering Tee 56262549 for a machine with this previous design solution hose you will also need to order Solution Hose 56264318. See NOTE 1 on SOLUTION SYSTEM/ ELECTRICAL-1.

NOTE 2: Housing Weldment Item #26 has been redesigned (in April of 2007) to accommodate a new upper deck linkage arm (see Solution System/ Electrical-1). The redesigned weldment is backwards compatible to the previous design. On machines with the new design the quantity of item #1 is reduced

Scrub system - Cylindrical

BA 625/ BA 725/ BA 825

22-04-2010

Part List ID E203115

21

Pos	Part no.	Qty	Description	EAN
37	56407389	1	SPACER	
38	56407442	1	SHEAVE POLY V	
39	56002119	2	SCR SOC SET LOC 1/4 20 X .50	
40	56003237	1	KEY SQ .19 X .62	
41	56315405	1	BEARING PLATE	
42	56109527	1	SPINDLE	
43	56407558	1	WASHER BEARING	
44	56106070	1	BEARING BALL Z22	
45	56407558	1	WASHER BEARING	
46	56315447	1	IDLER BEARING PLATE	
47	56396254	1	KNOB	
48	56407551	1	HUB	

NOTE 1: The previous solution hose design which consisted of a Reducer (56418669), Hose Clamps (56219932) and a smaller 3/8 Inch diameter Hose (56456830) to the scrub deck has been replaced in production with a single 1/2 Inch diameter hose (56264318). If ordering Tee 56262549 for a machine with this previous design solution hose you will also need to order Solution Hose 56264318. See NOTE 1 on SOLUTION SYSTEM/ ELECTRICAL-1.

NOTE 2: Housing Weldment Item #26 has been redesigned (in April of 2007) to accommodate a new upper deck linkage arm (see Solution System / Electrical-1). The redesigned weldment is backwards compatible to the previous design. On machines with the new design the quantity of item #1 is reduced

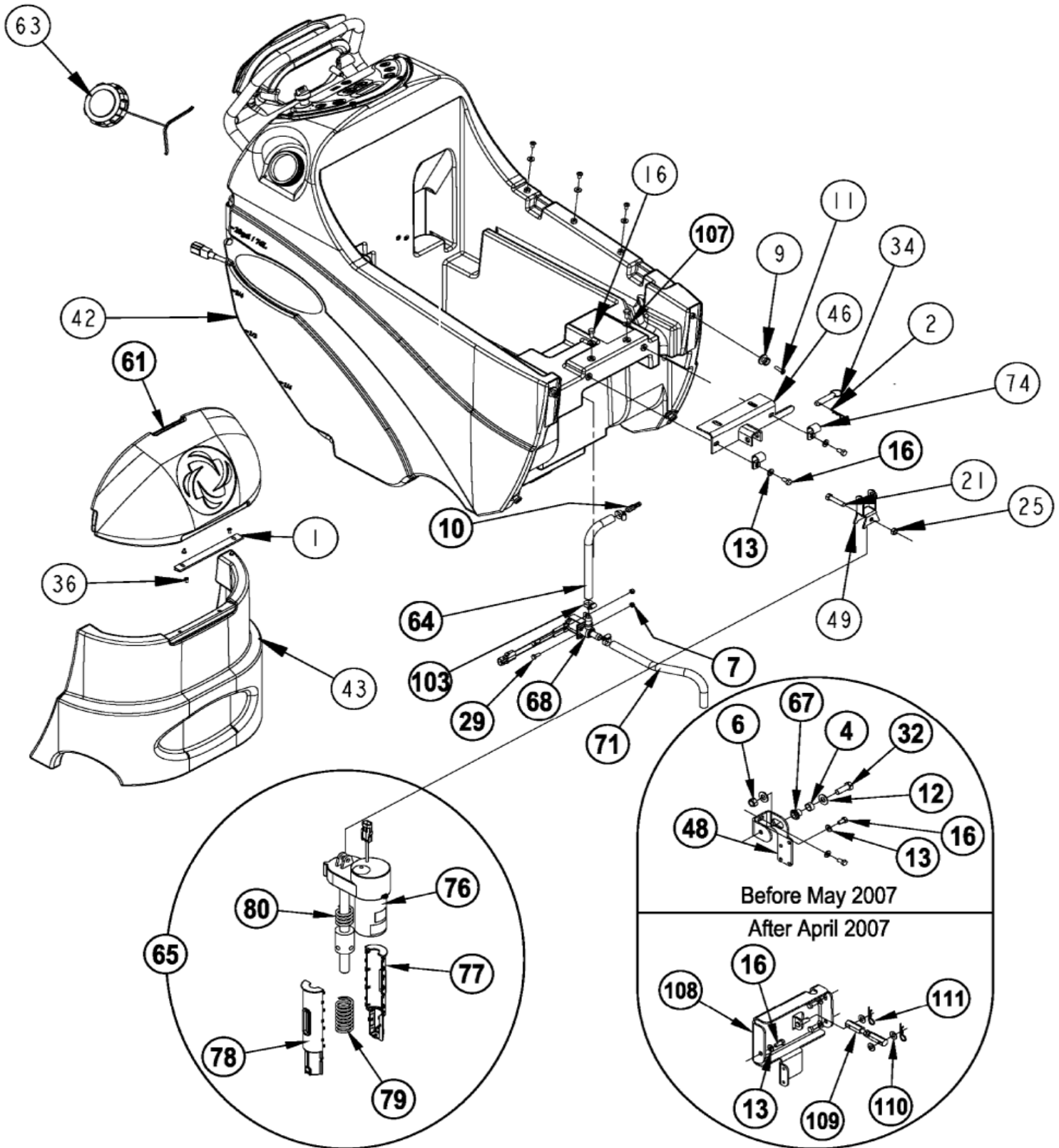
Solution system / electrical-1

BA 625/ BA 725/ BA 825

22-04-2010

Part List ID
E203117

22



Solution system / electrical-1

BA 625/ BA 725/ BA 825

22-04-2010

Part List ID
E203117

23

Pos	Part no.	Qty	Description		EAN
1	56315285	1	HINGE		
2	56002959	1	PIN COT HAIR SS.090XDIA .50/.75		
4	56370878	1	BEARING SLEEVE .627CV213FE0202	ONLY USED BEFORE MAY 2007	
6	56003312	1	NUT HEX NYL LOC M12 1.75	ONLY USED BEFORE MAY 2007	
7	56003403	2	NUT HEX NYL LOC M6 X 1.00		
9	56365777	4	BRUSH DRIVER LUG CV17B		
10	56418669	1	REDUCER BARB		
11	56001832	4	SCR FLT PHIL 1/4 20 X 1.00		
12	56001879	2	WSH FLT SAE 1/2		
13	56001939	4	WSH FLT SAE 5/16	QTY OF 5 AFTER APRIL 2007	
16	56002667	6	SCR HEX 5/16 18 X .75	QTY OF 7 AFTER APRIL 2007	
21	56002684	1	SCR HEX 3/8 16 X 1.75		
25	56002841	1	NUT HEX NYL LOC THIN 3/8 16		
29	56003174	2	SCR HEX THD/HD M6 1.0 X 16MM		
32	56003637	1	SCR HEX M12 1.75 X 40MM	ONLY USED BEFORE MAY 2007	
34	56003679	1	PIN RING .50 X 1.63		
36	56009139	4	SCR PAN PHIL LOC 10 24X.38		
42	56109561	1	SOLUTION TANK KIT	NOTE 3 - OPTIONAL - TSBUS2008-1017	
42	56315089	1	SOLUTION TANK		
43	56315104	1	NOSE CONE		
49	56315191	1	YOKE ACTUATOR		
61	56315284	1	CHEMICAL BOTTLE COVER		
63	56601599	1	CAP RAW WITH TETHER	NOTE 2	5711143108
64	56387302	1	TUBE PVC .500X11.00 E00604		
65	56109595	1	LIFT ACTUATOR ASSEMBLY	(76-84) - NOTE 4 - TSBUS2009-1040	
67	56315380	1	BUSHING	ONLY USED BEFORE MAY 2007	
68	56397203	1	SOLUTION VALVE ASSY.	(L1)	
71	56264318	1	HOSE E00604	NOTE 1	
74	56469380	2	CLAMP CABLE .75 E00129		
76	56109596	1	NUT PLASTIC		
79	56420018	1	SPRING COMPRESSION		
80	56412071	1	COMPRESSION SPRING		
103	56219932	3	CLAMP HOSE SAE 6 E00047		
107	56009122	2	WSH FLT .344X.938X.125		
108	56315839	1	BRACKET WELDMENT	ONLY USED AFTER APRIL 2007	
109	56315836	1	TURNBUCKLE ASSEMBLY	ONLY USED AFTER APRIL 2007	
110	56002063	3	WSH FLT SAE 3/8	ONLY USED AFTER APRIL 2007	
111	56003120	2	PIN COT HAIR.093XDIA .25 .50	ONLY USED AFTER APRIL 2007	

NOTE 1: The previous solution hose design which consisted of a Reducer (56418669), Hose Clamps (56219932) and a smaller 3/8 inch diameter Hose (56456830) to the scrub deck has been replaced in production with a single 1/2 inch diameter hose (56264318). If ordering this new hose (56264318) for a machine with the previous design you will also need to order a new Tee (56397300 for disc / 56262549 for cylindrical) for the scrub deck. See NOTE 1 on SCRUB SYSTEM - DISK (BA 625, BA 725) and SCRUB SYSTEM - CYLINDRICAL.

NOTE 2: The previous Solution Tank Cap 56315517 is obsolete. The new Cap 56109519 can be used in place of the original.

NOTE 3: This solution tank kit is to be ordered if you need to replace a solution tank on a machine before

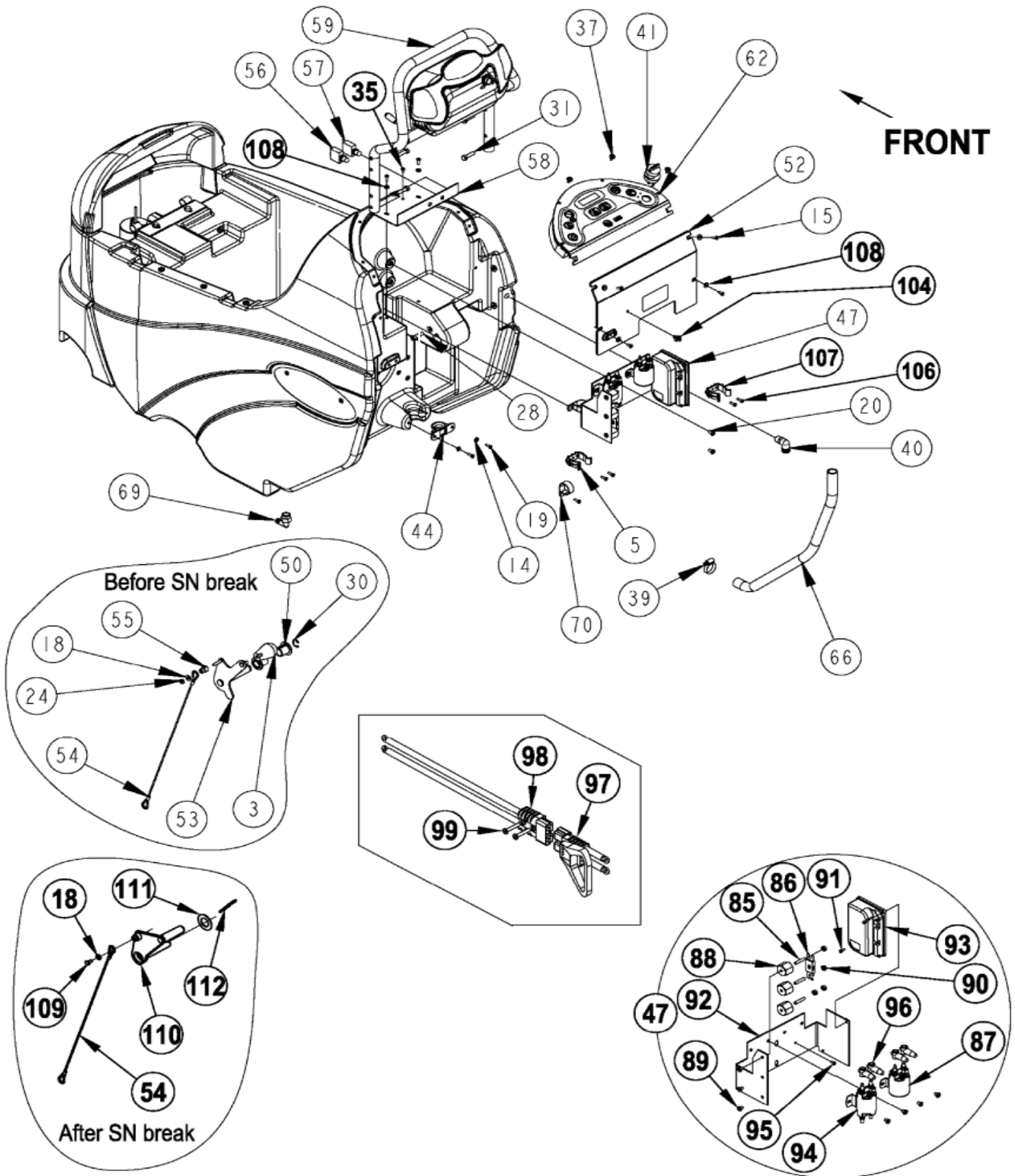
Solution system / electrical-2

BA 625/ BA 725/ BA 825

22-04-2010

Part List ID
E203119

24



Solution system / electrical-2

BA 625/ BA 725/ BA 825

22-04-2010

Part List ID
E203119

25

Pos	Part no.	Qty	Description	EAN
3	56364527	1	KNOB 1.62X5/16 18 CA331 1	NOTE 4
5	56407361	1	CLAMP PLASTIC	
14	56001954	2	WSH FLT SAE 10	
15	56001993	4	SCREW 10 24 X 0.5 ZINC PL	
18	56002098	4	WSH FLT SAE 1/4	
19	56002124	12	SCREW 10 24 X .62 PNH PH	
20	56002145	5	SCR PAN PHIL 1/4 20 X .50	
24	56002840	1	NUT HEX NYL LOC THIN 1/4 20	NOTE 4
28	56002962	1	SCR SOC SHD.38X.62X5/16 18	NOTE 4
30	56003266	1	RING RET EXT TYPE E	NOTE 4
31	56002094	4	SCR HEX 5/16 18 X 1.50	
35	56009030	1	SCR PAN PHIL THD FOM 10 24X.38	
37	56009206	4	SCR TRUSS PHIL BLK 10 24X.50	
39	56244969	1	CLAMP HOSE SAE 12 E00047	
40	56264442	1	ELBOW BARB E00037	
41	56303526	1	KEY REPLACEMENT SET OF 2	NOT SHOWN
41	56303553	1	KEY SWITCH ASSEMBLY	
44	56315121	1	GUIDE CABLE	
50	56315193	2	BUSHING FLANGE	NOTE 4
52	56109502	1	PANEL ELECTRICAL ASSY	
53	56315236	1	WELDMENT SQUEEGEE LIFT	NOTE 4
54	56315243	1	CABLE SQUEEGEE LIFT	
55	56315245	1	BUSHING SQUEEGEE CABLE	NOTE 4
56	56315255	1	CIRCUIT BREAKER 5 AMP	
57	56315256	1	CIRCUIT BREAKER 30 AMP	
58	56109553	1	PLATE CIRCUIT BREAKER	
59	56315266	1	ASSEMBLY PADDLE	
62	56315297	1	CONTROL PANEL ASEMBLY	
62	56315777	1	CONTROL PANEL ASSEMBLY	(A1) NOTE 2
66	56396143	1	HOSE PVC .75X28.0 E00521	
69	56409152	1	BARB 90 1/2 NPTX1/2 E00037	
70	56410166	2	CLAMP P	
85	56009203	3	STUD 1/4 20X1.31	

NOTE 1: Order this control panel assy if you have the OLD PUMP voltage reading across the solution pump (M8) leads.

NOTE 2: Order this control panel assy if you have the NEW PUMP voltage reading across the solution pump (M8) leads.

Regular Scrub: Voltage:
Old Pump 7 New Pump 9.56

Heavy Scrub:
Old Pump 11.3 New Pump 13.7

Extreme Scrub:
Old Pump 17 New Pump 19.24

NOTE 4: Used before SN 2059968. Items 50 and 53 are obsolete, to replace order each of the following part numbers 56001854, 56315730, 56009117, 56003223 (qty 1).

NOTE 5: Used after SN 2059967.

Solution system / electrical-2

BA 625/ BA 725/ BA 825

22-04-2010

Part List ID
E203119

26

Pos	Part no.	Qty	Description	EAN
86	56412089	1	FUSE 150 AMP (F1)	
87	56412179	1	CONTACTOR 24 VDC (K2 / VAC MOTOR)	
88	56469858	3	INSULATED STANDOFF	
89	56002462	7	SCR PAN PHIL 1/4 20 X .38	
90	56002708	4	NUT HEX NYL LOC 1/4 20	
91	56003698	2	SCR PAN PHIL THD FORM 8 32X.75	
92	56315182	1	PANEL ELECTRICAL	
93	56315294	1	SPEED CONTROL (A2)	
94	56397088	1	CONTACTOR 24V SPDT (K1 / BRUSH MOTOR)	
95	56009030	1	SCR PAN PHIL THD FOM 10 24X.38	
96	56409538	4	TERMINAL INSULATOR	
97	56315345	1	CONNECTOR ASSEMBLY 1 AWG (CONNECTED TO BATTERIES)	
98	56397187	1	CONNECTOR ASSEMBLY (CONNECTED TO MACHINE)	
99	56002825	2	SCR PAN PHIL 1/4 20 X 1.25	
104	56315382	1	CLIP CONDUIT	
106	56001993	2	SCREW 10 24 X 0.5 ZINC PL	
107	56212236	1	CLAMP PLASTIC	
108	56002053	6	WSH FLT STD 10	
109	56001854	1	SCR HEX 1/4 20 X .50 NOTE 5	
110	56315730	1	LEVER SQUEEGEE LIFT NOTE 5	
111	56009117	1	WSH FLT 1.031X1.859X.048 NOTE 5	
112	56003223	1	PIN COT HAIR.148 X DIA.62/1.00 NOTE 5	

NOTE 1: Order this control panel assy if you have the OLD PUMP voltage reading across the solution pump (M8) leads.

NOTE 2: Order this control panel assy if you have the NEW PUMP voltage reading across the solution pump (M8) leads.

Regular Scrub: Voltage:
Old Pump 7 New Pump 9.56

Heavy Scrub:
Old Pump 11.3 New Pump 13.7

Extreme Scrub:
Old Pump 17 New Pump 19.24

NOTE 4: Used before SN 2059968. Items 50 and 53 are obsolete, to replace order each of the following part numbers 56001854, 56315730, 56009117, 56003223 (qty 1).

NOTE 5: Used after SN 2059967.

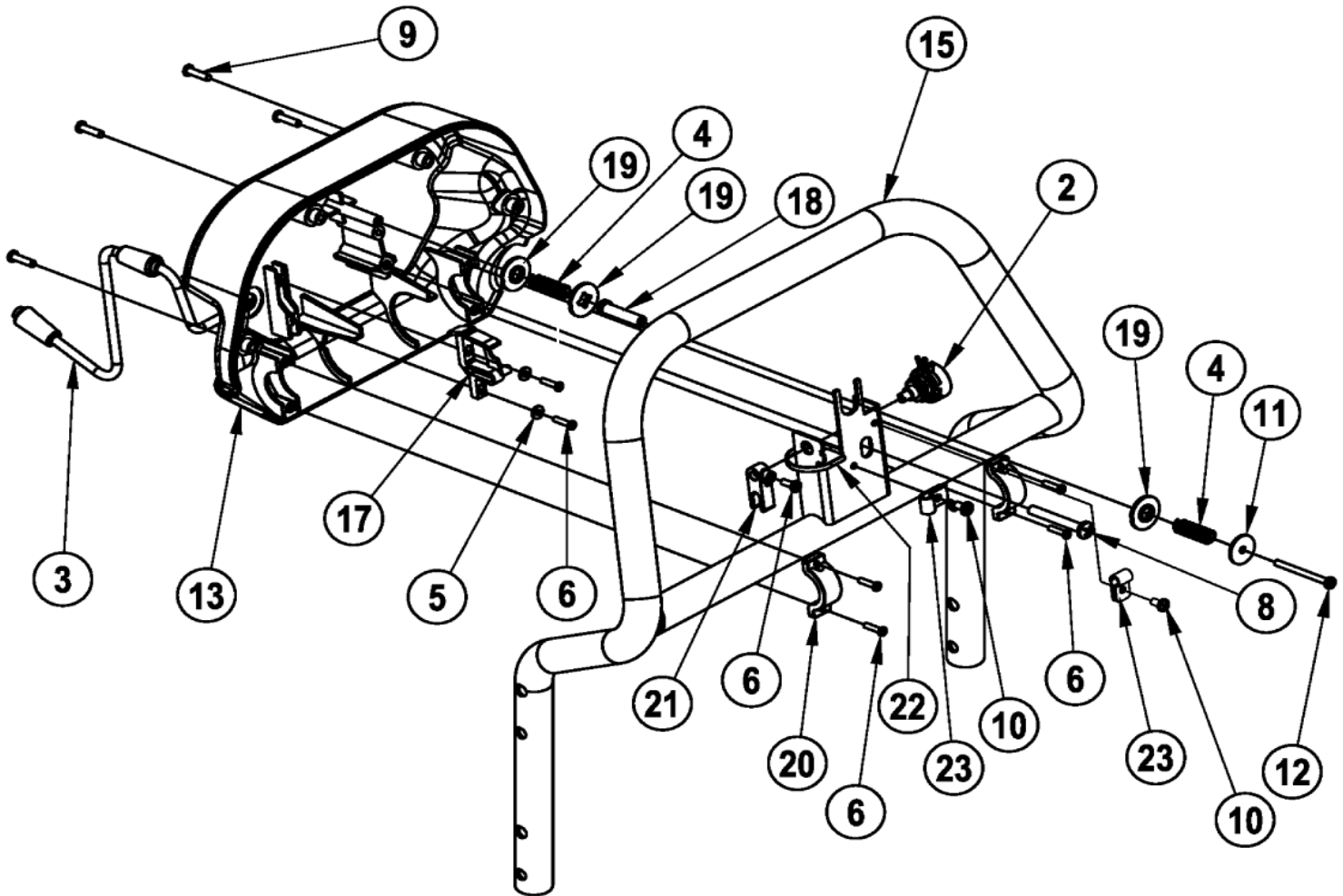
Paddle assembly

BA 625/ BA 725/ BA 825

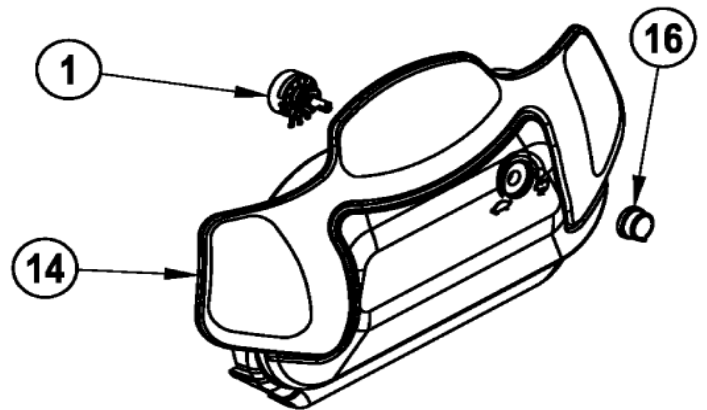
22-04-2010

Part List ID
E203121

27



FRONT



Paddle assembly

BA 625/ BA 725/ BA 825

22-04-2010

Part List ID
E203121

28

Pos	Part no.	Qty	Description	EAN
	56315266	1	ASSEMBLY PADDLE	TSBUS2005-898 / TSBUS2006-925
1	56396197	1	POTENTIOMETER 100K	(R2)
2	56397029	1	POTENTIOMETER 5K	(R1)
3	56315231	1	PADDLE HARNESS	
4	56325654	2	SPRING	
5	56002006	2	WSH FLT SAE 6	
6	56003197	7	SCR PAN PHIL PLASTITE 6 18X.62	
8	56003527	1	SCR PAN PHIL PLAS 1/4 10X2.0	
9	56003545	4	SCR PAN PHIL PLASTITE8 10X.75	
10	56009030	2	SCR PAN PHIL THD FOM 10 24X.38	
11	56009096	1	WSH FLT .193X.875X.060	
12	56009287	1	SCR PAN PHIL TYPE B 8 X 2.00	
13	56109716	1	PADDLE BACK COVER	
14	56315230	1	PADDLE FRONT COVER	
15	56315251	1	WELDMENT HANDLE BAR PAINTED	
16	56315280	1	KNOB	
17	56397015	1	CAM CONTROLLER	
18	56397109	1	SLEEVE	
19	56397170	3	WSH PLASTIC	
20	56397171	2	CLAMP	
21	56109648	1	POTENTIOMETER FORK	
22	56478246	1	CABLE TIE E00549 RE438BA	
23	56481890	2	CLAMP CABLE .250 E00129	

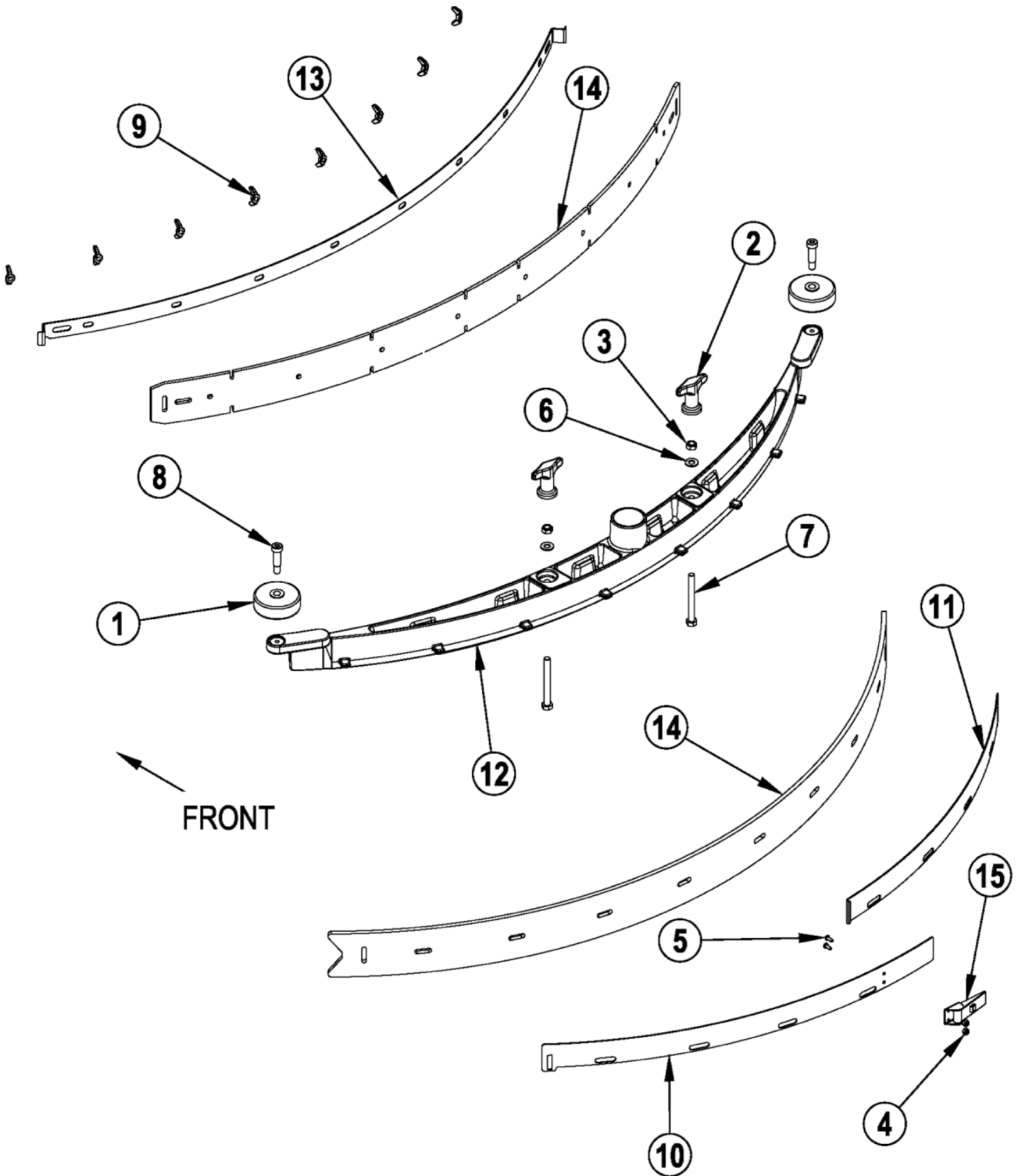
Squeegee assembly 1

BA 625/ BA 725/ BA 825

22-04-2010

Part List ID
E203122

29



Squeegee assembly 1

BA 625/ BA 725/ BA 825

22-04-2010

Part List ID

E203122

30

Pos	Part no.	Qty	Description	EAN
	56315290	1	SQUEEGEE ASSEMBLY 32	(BA 725) NOTE 2
	56315291	1	SQUEEGEE ASSEMBLY	(BA 625) NOTE 2
	56315632	1	SQUEEGEE ASSEMBLY D	(BA 825) NOTE 2
1	56324350	2	WHEEL	
2	56370711	2	NUT THUMB	
3	56002851	2	NUT HEX NYL LOC THIN SS5/16 18	
4	56002907	2	NUT HEX NYL LOC SS 6 32	
5	56002909	2	SCR PAN PHIL SS 6 32 X .38	
6	56002938	2	WSH FLT SAE SS 5/16	
7	56003736	2	SCR HEX THD SS 5/16 18X3.00	
8	56003472	2	SCR SOC SHD.38X1.00X5/16 18	
9	56009111	6	NUT WING S.S. 1/4 20	
10	56109660	1	STRAP LEFT REAR B	(BA 625) NOTE 2 - TSBUS2009-1037
10	56109664	1	STRAP LEFT REAR C	(BA 725) NOTE 2 - TSBUS2009-1037
10	56109667	1	STRAP LEFT REAR D	(BA 825) NOTE 2 - TSBUS2009-1037
11	56109661	1	STRAP RIGHT REAR B	(BA 625) NOTE 2 - TSBUS2009-1037
11	56109665	1	STRAP RIGHT REAR C	(BA 725) NOTE 2 - TSBUS2009-1037
11	56109668	1	STRAP RIGHT REAR D	(BA 825) NOTE 2 - TSBUS2009-1037
12	56314271	1	SQUEEGEE TOOL CASTING B	(BA 625)
12	56314325	1	SQUEEGEE TOOL CASTING C	(BA 725)
12	56314694	1	SQUEEGEE TOOL CASTING D	(BA 825)
13	56109583	1	STRAP KIT B	(BA 625) NOTE 2
13	56314322	1	STRAP FRONT 32	(BA 725) NOTE 2
13	56314696	1	STRAP FRONT D	(BA 825) NOTE 2
14	56315347	1	BLADE KIT SQUEEGEE GUM B	(BA 625) NOTE 1
14	56315348	1	BLADE KIT SQUEEGEE GUM C	(BA 725) NOTE 1
14	56315674	1	BLADE KIT SQUEEGEE GUM D	(BA 825) NOTE 1
15	56471194	1	LATCH ASSY RE32	TSBUS2009-1037

NOTE 1: All squeegee blade kits include both front and rear squeegee blades.

NOTE 2: To replace squeegee straps on machines without Latch Support 56109554 (item 16)

order one of the three following Strap Kits:

56109585-Strap Kit-D (for Squeegee Assy 56315632)

56109584-Strap Kit-C (for Squeegee Assy 56315290)

56109583-Strap Kit-B (for Squeegee Assy 56315291)

These kits include both rear straps, front strap and the latch support.

Pos. 50-52 - BA 625 Squeegee Blade Kits

Pos. 60-62 - BA 725 Squeegee Blade Kits

Pos. 70-72 - BA 825 Squeegee Blade Kits

Squeegee assembly 2

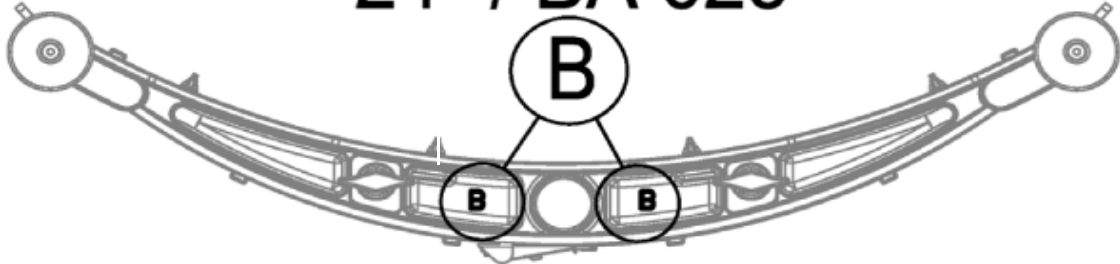
BA 625/ BA 725/ BA 825

22-04-2010

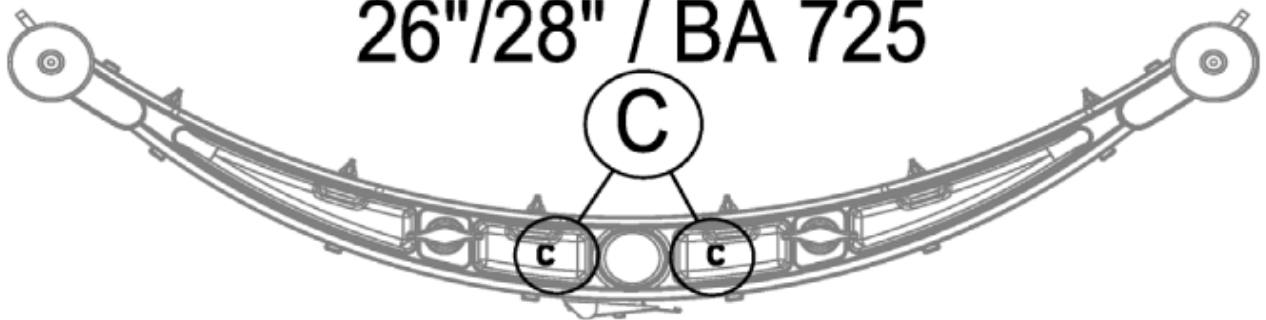
Part List ID
E203123

31

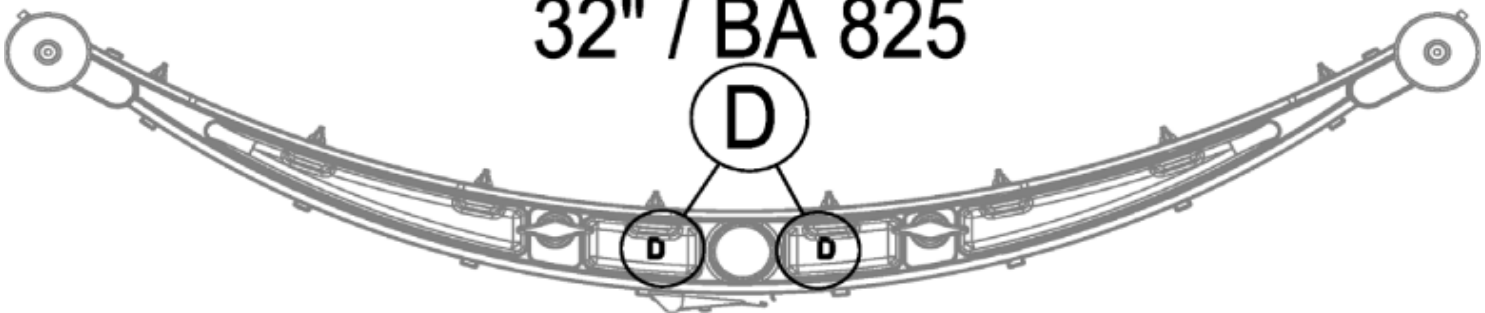
24" / BA 625



26"/28" / BA 725



32" / BA 825



Squeegee assembly 2

BA 625/ BA 725/ BA 825

22-04-2010

Part List ID E203123

32

Pos	Part no.	Qty	Description	EAN
B	56315347	1	BLADE KIT SQUEEGEE GUM B	NOTE 1 - OPTIONAL
B	56315351	1	BLADE KIT SQGEE RED GUM B	NOTE 1 - OPTIONAL
B	56315854	1	BLADE KIT SQUEEGEE PU B	NOTE 1 - OPTIONAL
C	56315348	1	BLADE KIT SQUEEGEE GUM C	NOTE 1 - OPTIONAL
C	56315352	1	BLADE KIT SQGEE RED GUM C	NOTE 1 - OPTIONAL
C	56315855	1	BLADE KIT SQUEEGEE PU C	NOTE 1 - OPTIONAL
D	56314865	1	BLADE KIT SQGEE RED GUM D	NOTE 1 - OPTIONAL
D	56315674	1	BLADE KIT SQUEEGEE GUM D	NOTE 1 - OPTIONAL
D	56315856	1	BLADE KIT SQUEEGEE PU D	NOTE 1 - OPTIONAL

NOTE 1: All squeegee blade kits include both front and rear squeegee blades.

Pos. B - BA 625 Squeegee Blade Kits

Pos. C - BA 725 Squeegee Blade Kits

Pos. D - BA 825 Squeegee Blade Kits

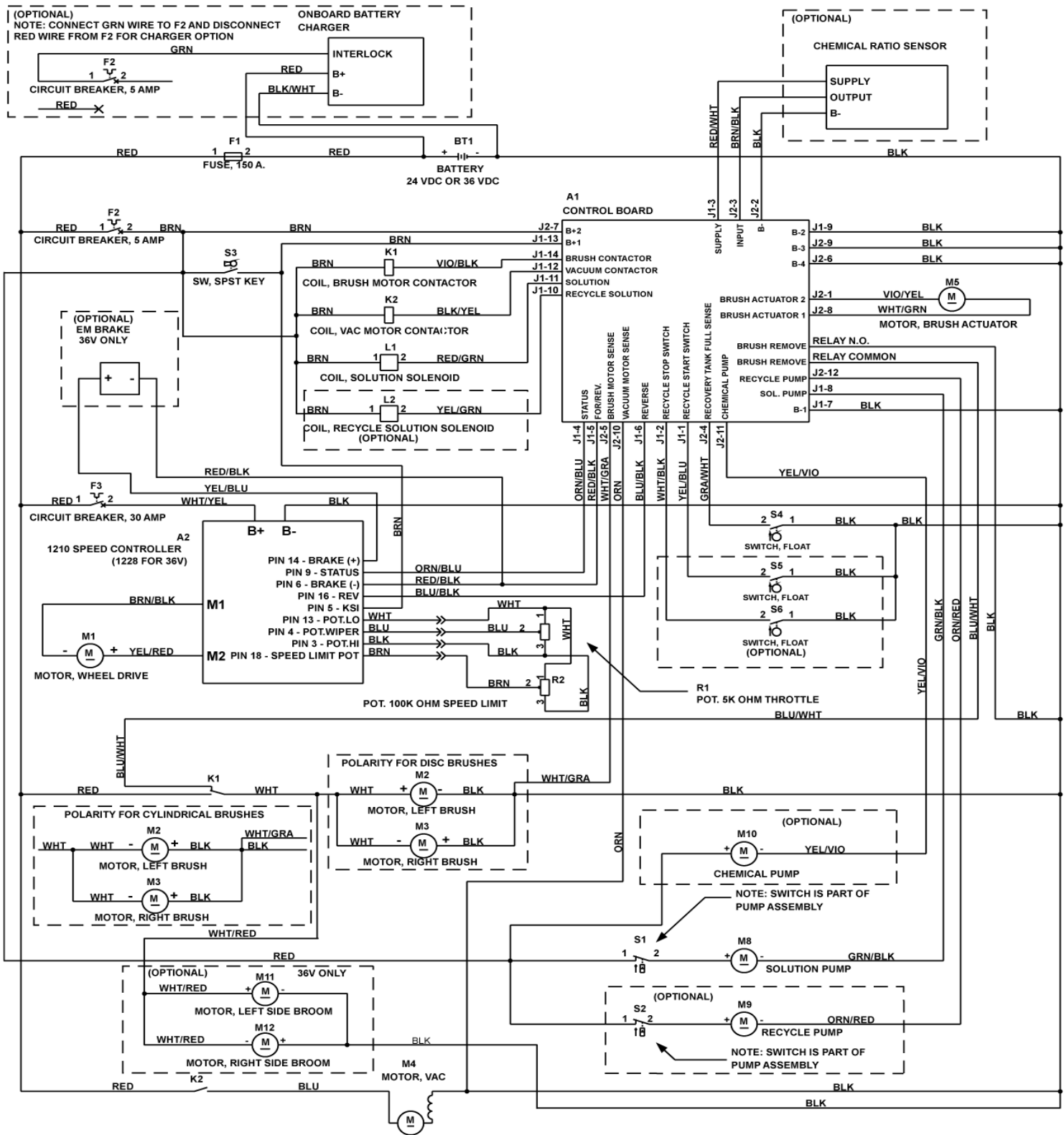
Wiring diagram - before September 2009

22-04-2010

Part List ID
E203125

BA 625/ BA 725/ BA 825

33



REFERENCE: WIRING DIAGRAM 56315302 FOR 24V
WIRING DIAGRAM 56315596 FOR 36V

56016691-REV. E

Wiring diagram - before September 2009

BA 625/ BA 725/ BA 825

22-04-2010

Part List ID
E203125

34

Pos	Part no.	Qty	Description	EAN
0	56314119	1	SPACER BATTERY	NOT SHOWN
0	56315124	1	CHARGER ONBOARD 24V	(OPTIONAL) - NOT SHOWN
0	56315249	1	MAIN HARNESS	TSBUS2006-926 / TSBUS2007-955 - NOT SHOWN
0	56315340	1	CHEMICAL SENSOR ASSEMBLY	(OPTIONAL) - NOT SHOWN
0	56315747	1	THERMISTOR REPAIR KIT	REPAIR KIT FOR 56315124 - NOT SHOWN
0	56315751	1	HARNESS CONVERTAMATIC VACUUM	TSBUS2007-955 - NOT SHOWN
0	56315838	2	HARNESS FILTER	NOT SHOWN
0	56372673	8	BOOT BATTERY POST	NOT SHOWN
0	56413883	2	FERRITE BEAD	DISK MODELS ONLY - NOT SHOWN
0	56416445	3	CABLE ASSY 4 AWG	(BATTERY CABLES) - NOT SHOWN
0	56478246	9	CABLE TIE E00549 RE438BA	NOT SHOWN
0	56478523	2	CABLE TIE E00549	NOT SHOWN
A1	56315297	1	CONTROL PANEL ASSEMBLY	(A1) NOTE 1
A1	56315777	1	CONTROL PANEL ASSEMBLY	(A1) NOTE 2
A2	56315294	1	SPEED CONTROL	
F1	56412089	1	FUSE 150 AMP	
F2	56315255	1	CIRCUIT BREAKER 5 AMP	
F3	56315256	1	CIRCUIT BREAKER 30 AMP	
K1	56397088	1	CONTACTOR 24V SPDT	
K2	56412179	1	CONTACTOR 24 VDC	
L1	56397203	1	SOLUTION VALVE ASSY.	
L2	56397203	1	SOLUTION VALVE ASSY.	(OPTIONAL)
M1	56315062	1	TRANSAXLE 24V	
M1	56315377	1	MOTOR	NOT SHOWN
M1	56315378	4	BRUSH KIT SET OF 4	NOT SHOWN
M1	56315379	2	MOUNTING SLEEVE NEOPRENE	
M2	56315056	1	ASM MOTOR&GEAR UNIT 24V .42HP	(DISK)
M2	56315061	1	MOTOR 24VDC .5HP 1800RPM	(CYLINDRICAL)
M2	56315376	4	BRUSH ASSEMBLY	NOT SHOWN
M2	56397138	4	BRUSH SPRING	NOT SHOWN
M2	56412287	1	MOTOR BRUSH/SPRING KIT	NOT SHOWN
M3	56315056	1	ASM MOTOR&GEAR UNIT 24V .42HP	(DISK)

NOTE 1: Order this control panel assy if you have the OLD PUMP voltage reading across the solution pump (M8) leads.

NOTE 2: Order this control panel assy if you have the NEW PUMP voltage reading across the solution pump (M8) leads.

Regular Scrub: Voltage:

Old Pump 7
New Pump 9.56

Heavy Scrub:

Old Pump 11.3
New Pump 13.7

Extreme Scrub:

Old Pump 17
New Pump 19.24

NOTE 3: If your vacuum motor has a serial tag from Lamb Electric (Ametek) order Carbon Brush Set 56397098.

If your vacuum motor has a serial tag from Nilfi sk-Advance order Carbon Brush Set 56380529.

Wiring diagram - before September 2009

BA 625/ BA 725/ BA 825

22-04-2010

Part List ID
E203125

35

Pos	Part no.	Qty	Description		EAN
M3	56315061	1	MOTOR 24VDC .5HP 1800RPM	CYLINDRICAL	
M3	56315376	4	BRUSH ASSEMBLY	NOT SHOWN	
M3	56397138	4	BRUSH SPRING	NOT SHOWN	
M3	56412287	1	MOTOR BRUSH/SPRING KIT		
M4	56380529	1	CARBON BRUSH/SET OF 2	for 56412300 - NOTE 3	
M4	56397098	1	CARBON BRUSH SET	for 56412300 - NOTE 3	
M4	56412300	1	VAC MOTOR ASSY.		
M5	56388520	1	NUT PLASTIC		
M5	56393303	1	ACTUATOR		
M8	56315108	1	PUMP 24V		
R1	56397029	1	POTENTIOMETER 5K		
R2	56396197	1	POTENTIOMETER 100K		
S1		1	NOTE COMMENT	PART OF M7 - NOT AVAILABLE	5701715456
S2		1	NOTE COMMENT	PART OF M8 - NOT AVAILABLE	5701715456
S3	56303526	1	KEY REPLACEMENT SET OF 2	NOT SHOWN	
S3	56303553	1	KEY SWITCH ASSEMBLY		
S4	56315096	1	SWITCH FLOAT		
S5	56315096	1	SWITCH FLOAT	(OPTIONAL / RECYCLE START)	
S6	56315096	1	SWITCH FLOAT	(OPTIONAL / RECYCLE STOP)	
BT1		4	NOTE COMMENT	BATTERY - NOT AVAILABLE	5701715456
M10	56315241	1	PUMP CHEMICAL	(OPTIONAL)	

NOTE 1: Order this control panel assy if you have the OLD PUMP voltage reading across the solution pump (M8) leads.

NOTE 2: Order this control panel assy if you have the NEW PUMP voltage reading across the solution pump (M8) leads.

Regular Scrub: Voltage:

Old Pump 7

New Pump 9.56

Heavy Scrub:

Old Pump 11.3

New Pump 13.7

Extreme Scrub:

Old Pump 17

New Pump 19.24

NOTE 3: If your vacuum motor has a serial tag from Lamb Electric (Ametek) order Carbon Brush Set 56397098.

If your vacuum motor has a serial tag from Nilfisk-Advance order Carbon Brush Set 56380529.

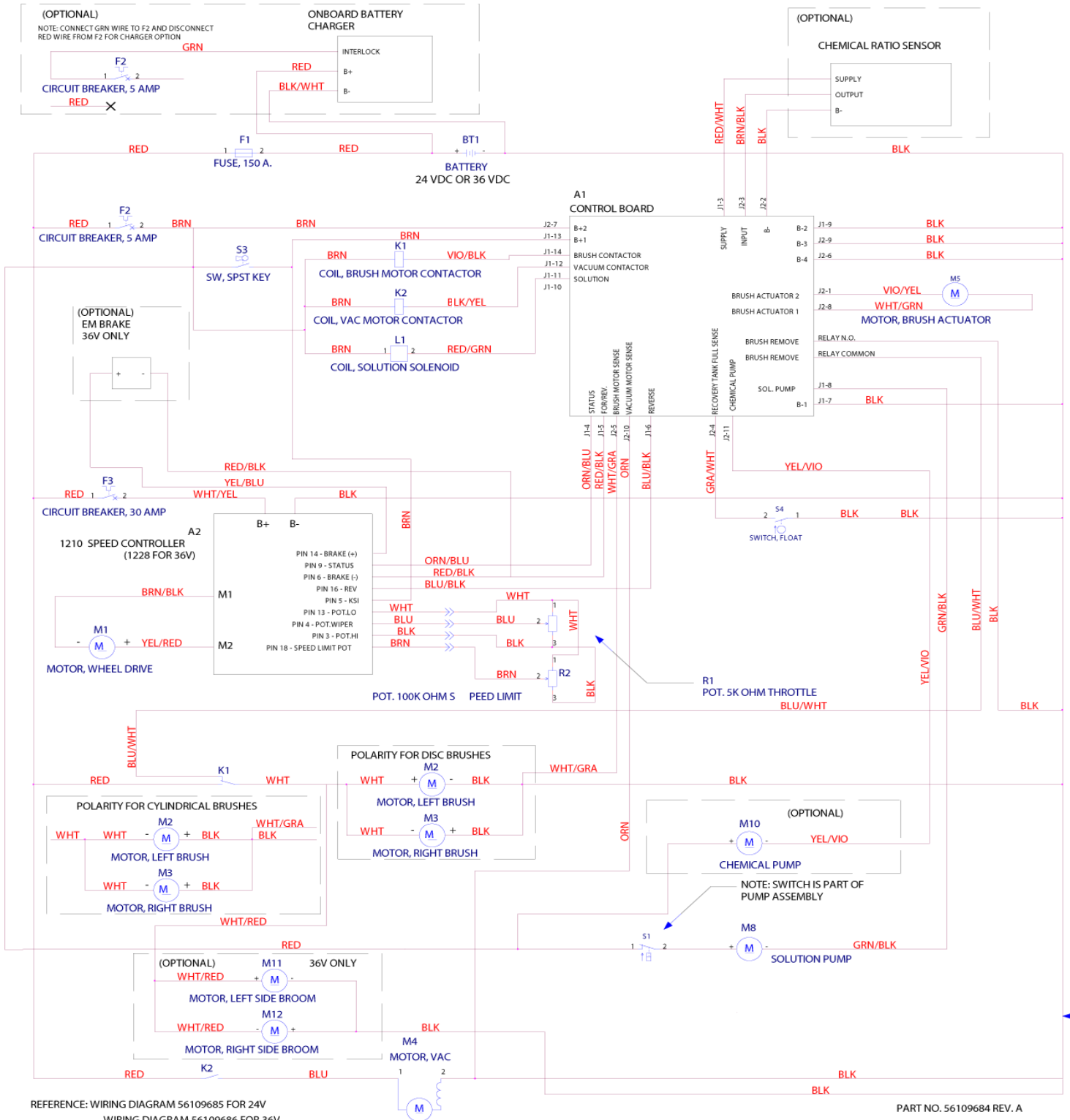
Wiring diagram - after August 2009

BA 625/ BA 725/ BA 825

22-04-2010

Part List ID
E203127

36



Wiring diagram - after August 2009

BA 625/ BA 725/ BA 825

22-04-2010

Part List ID
E203127

37

Pos	Part no.	Qty Description	EAN
0	56314119	1 SPACER BATTERY	NOT SHOWN
0	56315124	1 CHARGER ONBOARD 24V	OPTIONAL - NOT SHOWN
0	56315249	1 MAIN HARNESS	TSBUS2006-926 / TSBUS2007-955 - NOT SHOWN
0	56315340	1 CHEMICAL SENSOR ASSEMBLY	OPTIONAL - NOT SHOWN
0	56315747	1 THERMISTOR REPAIR KIT	FOR 56315124 - NOT SHOWN
0	56315751	1 HARNESS CONVERTAMATIC VACUUM	TSBUS2007-955 - NOT SHOWN
0	56315838	2 HARNESS FILTER	NOT SHOWN
0	56372673	8 BOOT BATTERY POST	NOT SHOWN
0	56413883	2 FERRITE BEAD	NOT SHOWN
0	56416445	3 CABLE ASSY 4 AWG	BATTERY CABLES - NOT SHOWN
0	56478246	9 CABLE TIE E00549 RE438BA	NOT SHOWN
0	56478523	2 CABLE TIE E00549	NOT SHOWN
A1	56315777	1 CONTROL PANEL ASSEMBLY	A1
A2	56315294	1 SPEED CONTROL	
F1	56412089	1 FUSE 150 AMP	
F2	56315255	1 CIRCUIT BREAKER 5 AMP	
F3	56315256	1 CIRCUIT BREAKER 30 AMP	
K1	56397088	1 CONTACTOR 24V SPDT	
K2	56412179	1 CONTACTOR 24 VDC	
L1	56397203	1 SOLUTION VALVE ASSY.	
M1	56315062	1 TRANSAXLE 24V	
M1	56315377	1 MOTOR	NOT SHOWN
M1	56315378	4 BRUSH KIT SET OF 4	NOT SHOWN
M1	56315379	2 MOUNTING SLEEVE NEOPRENE	NOT SHOWN
M2	56315056	1 ASM MOTOR&GEAR UNIT 24V .42HP	DISK
M2	56315061	1 MOTOR 24VDC .5HP 1800RPM	CYLINDRICAL
M2	56315376	4 BRUSH ASSEMBLY	NOT SHOWN
M2	56397138	4 BRUSH SPRING	NOT SHOWN
M2	56412287	1 MOTOR BRUSH/SPRING KIT	NOT SHOWN
M3	56315056	1 ASM MOTOR&GEAR UNIT 24V .42HP	DISK
M3	56315061	1 MOTOR 24VDC .5HP 1800RPM	CYLINDRICAL
M3	56315376	4 BRUSH ASSEMBLY	NOT SHOWN
M3	56397138	4 BRUSH SPRING	NOT SHOWN
M3	56412287	1 MOTOR BRUSH/SPRING KIT	NOT SHOWN
M4	56380529	1 CARBON BRUSH/SET OF 2	FOR 56412300 - NOTE 1 - NOT SHOWN
M4	56397098	1 CARBON BRUSH SET	FOR 56412300 - NOTE 1 - NOT SHOWN
M4	56412300	1 VAC MOTOR ASSY.	
M5	56109596	1 NUT PLASTIC	FOR USE ON 56109597 - NOT SHOWN
M8	56315108	1 PUMP 24V	
R1	56397029	1 POTENTIOMETER 5K	
R2	56396197	1 POTENTIOMETER 100K	

NOTE 1: If your vacuum motor has a serial tag from Lamb Electric (Ametek) order Carbon Brush Set 56397098.
If your vacuum motor has a serial tag from Nilfi sk-Advance order Carbon Brush Set 56380529.

Wiring diagram - after August 2009

BA 625/ BA 725/ BA 825

22-04-2010

Part List ID E203127

38

Pos	Part no.	Qty	Description		EAN
S1		1	NOTE COMMENT	PART OF M8 - NOT AVAILABLE	5701715456
S3	56303526	1	KEY REPLACEMENT SET OF 2	NOT SHOWN	
S3	56303553	1	KEY SWITCH ASSEMBLY		
S4	56315096	1	SWITCH FLOAT		
BT1		4	NOTE COMMENT	BATTERY NOT AVAILABLE	5701715456
M10	56315241	1	PUMP CHEMICAL		

NOTE 1: If your vacuum motor has a serial tag from Lamb Electric (Ametek) order Carbon Brush Set 56397098.
If your vacuum motor has a serial tag from Nilfi sk-Advance order Carbon Brush Set 56380529.

Optional kits and accessories

BA 625/ BA 725/ BA 825

22-04-2010

Part List ID
E203128

39

Ref. No.	Qty	Description	Ref. No.	Qty	Description
Kits			BA 725 Disk Scrub Brushes		
**#		DELETED	**	56505800	2 Short Trim Pad Holder
**	56315312	1 Squeegee Wand Kit	**	56505195	2 Pad Retainer for 56505750
**	56315732	1 QuiQ Programmer Kit NOTE 2 TSBUS2007-979	**	56505801	2 MagnaGrit
**	56315860	A/R Kit, BA625 Disk Deck W/Squeegee	**	56505802	2 DynaGrit
**	56315861	A/R Kit, BA725 Disk Deck W/Squeegee	**	56505803	2 AgLite
**	56315863	A/R Kit, BA825 Disk Deck W/Squeegee	**	56505804	2 Prolene
**	56315862	A/R Kit, BA725 Cyl Deck W/Squeegee	**	56505805	2 ProLite
**	56315845	1 EDS On-Board Chemical Kit	**	56505806	2 Union Mix
**	56315846	1 On-Board Charger kit-EU	**	56505807	2 MidGrit
			**	56505808	2 MidLite Grit
BA 625 Squeegee Kits			BA 825 Disk Scrub Brushes		
**	56315347	1 Kit, Gum Rubber Squeegee Blade NOTE 1	**	56505830	2 Short Trim Pad Holder
**	56315351	1 Kit, Linatex Squeegee Blade NOTE 1	**	56505195	2 Pad Retainer for 56505750
**	56315854	1 Kit, Squeegee Blade PU B NOTE 1	**	56505831	2 MagnaGrit
**#	56109662	1 Strap Kit-B	**	56505832	2 DynaGrit
BA 725 Squeegee Kits			**	56505833	2 AgLite
**	56315348	1 Kit, Gum Rubber Squeegee Blade NOTE 1	**	56505834	2 Prolene
**	56315352	1 Kit, Linatex Squeegee Blade NOTE 1	**	56505835	2 ProLite
**	56315855	1 Kit, Squeegee Blade PU C NOTE 1	**	56505836	2 Union Mix
**#	56109666	1 Strap Kit-C	**	56505837	2 MidGrit
BA 825 Squeegee Kits			**	56505838	2 MidLite Grit
**	56315674	1 Kit, Gum Rubber Squeegee Blade NOTE 1	BA 725 Cylindrical Scrub Brushes		
**	56314865	1 Kit, Linatex Squeegee Blade NOTE 1	**	56412191	2 Soft Nylon
**	56315856	1 Kit, Squeegee Blade PU D NOTE 1	**	56412192	2 Hard Nylon
**#	56109669	1 Strap Kit-D	**	56412046	2 Prolene
Accessories			**	56412193	2 180 Grit
**	56315316	A/R Tote Bag	**	56412194	2 80 Grit
**	56409441	A/R Programmer, 1307 User	**	56412195	2 46 Grit
**	56409823	A/R Programmer Cable			
**	56044403	A/R BA 625, 725, 825 Literature Pack			
Optional Batteries			* = Not Shown		
*	80567300	1 Battery, Complete 24v 174 A/H (set of 4)	** = Optional, Not Included		
*	80566500	1 Battery, Complete 24v 180 A/H (set of 4)	# = Revised or new since last update		
*	80564500	4 Battery, 6v 174 A/H	NOTE 1: All squeegee blade kits include both front and rear squeegee blades.		
*	80564000	4 Battery, 6v 180 A/H	NOTE 2: Starting with Charger serial # CP240548022382 the charger software can be programmed with a computer and the QuiQ Programmer kit 56315732.		
Optional Battery Chargers					
*	80568700	1 Charger, 24vdc, 20 Amp, 230vac (UK)			
*	80568400	1 Charger, 24vdc, 20 Amp, 230vac (EU)			
BA 625 Disk Scrub Brushes					
**	56505750	2 Short Trim Pad Holder			
**	56505195	2 Pad Retainer for 56505750			
**	56505751	2 MagnaGrit			
**	56505752	2 DynaGrit			
**	56505753	2 AgLite			
**	56505754	2 Prolene			
**	56505755	2 ProLite			
**	56505756	2 Union Mix			
**	56505757	2 MidGrit			
**	56505758	2 MidLite Grit			

Optional kits and accessories

BA 625/ BA 725/ BA 825

22-04-2010

Part List ID
E203128

40

Pos	Part no.	Qty	Description	EAN
1	56315312	1	KIT SCRUB/VAC WAND & HOSE	
2	56315732	1	QUIQ PROGRAMMER KIT	NOTE 2 TSBUS2007-979
3	56315860	1	KIT BA625 DISC	
4	56315861	1	KIT BA725 DISC	
5	56315863	1	KIT BA825 DISC	
6	56315862	1	KIT BA725 C CYL	
7	56315845	1	EDS ON BOARD CHEMICAL KIT	
8	56315846	1	ON BOARD CHARGER KIT EU	
10	56315347	1	BLADE KIT SQUEEGEE GUM B	NOTE 1
11	56315351	1	BLADE KIT SQGEE RED GUM B	NOTE 1
12	56315854	1	BLADE KIT SQUEEGEE PU B	NOTE 1
13	56109662	1	STRAP KIT B	
20	56315348	1	BLADE KIT SQUEEGEE GUM C	NOTE 1
21	56315352	1	BLADE KIT SQGEE RED GUM C	NOTE 1
22	56315855	1	BLADE KIT SQUEEGEE PU C	NOTE 1
23	56109666	1	STRAP KIT C	
30	56315674	1	BLADE KIT SQUEEGEE GUM D	NOTE 1
31	56314865	1	BLADE KIT SQGEE RED GUM D	NOTE 1
32	56315856	1	BLADE KIT SQUEEGEE PU D	NOTE 1
33	56109669	1	STRAP KIT D	
40	56315316	1	TOTE BAG	
41	56409441	1	PROGRAMMER 1311NP USER	
42	56409823	1	PROGRAMMER CABLE	
50	80567300	1	4 PCS BATTERY 3 ET 174	(SET OF 4)
51	80566500	1	4 PCS BATTERIER 3 DF 180	(SET OF 4)
52	80564500	4	BATT. 6V-180AH WET TUBULAR MONOBLOC	
53	80564000	4	BATT. 6V-180AH GEL MONOBLOC	
60	80568700	1	CHARGER 24V-20A HF/CPL-UK-SB175R	(UK)
61	80568400	1	CHARGER 24V-20A HF/CPL-EU-SB175R	(EU)
70	56505750	2	PAD HOLDER 12 3 LUG	
71	56505195	2	PAD RETAINER	
72	56505751	2	DISC BRUSH 12 MAGNAGRIT 3 LUG	
73	56505752	2	DISC BRUSH 12 DYNAGRIT 3 LUG	
74	56505753	2	DISC BRUSH 12 AGLITE 3 LUG	
75	56505754	2	DISC BRUSH 12 PROLENE 3 LUG	
76	56505755	2	DISC BRUSH 12 PROLITE 3 LUG	
77	56505756	2	DISC BRUSH 12 UNION MIX 3 LUG	
78	56505757	2	DISC BRUSH 12 MIDGRIT 3 LUG	
79	56505758	2	DISC BRUSH 12 MIDLITE 3 LUG	
80	56505800	2	PAD HOLDER 14 3 LUG	
81	56505195	2	PAD RETAINER	
82	56505801	2	DISC BRUSH 14 MAGNAGRIT 3 LUG	

Optional kits and accessories

BA 625/ BA 725/ BA 825

22-04-2010

Part List ID
E203128

41

Pos	Part no.	Qty	Description	EAN
83	56505802	2	DISC BRUSH 14 DYNAGRIT 3 LUG	
84	56505803	2	DISC BRUSH 14 AGLITE 3 LUG	
85	56505804	2	DISC BRUSH 14 PROLENE 3 LUG	
86	56505805	2	DISC BRUSH 14 PROLITE 3 LUG	
87	56505806	2	DISC BRUSH 14 UNION MIX 3 LUG	
88	56505807	2	DISC BRUSH 14 MIDGRIT 3 LUG	
89	56505808	2	DISC BRUSH 14 MIDLITE 3 LUG	
90	56505830	2	PAD HOLDER 16 3 LUG	
91	56505195	2	PAD RETAINER	
92	56505831	2	DISC BRUSH 16 MAGNAGRIT 3 LUG	
93	56505832	2	DISC BRUSH 16 DYNAGRIT 3 LUG	
94	56505833	2	DISC BRUSH 16 AGLITE 3 LUG	
95	56505834	2	DISC BRUSH 16 PROLENE 3 LUG	
96	56505835	2	DISC BRUSH 16 PROLITE 3 LUG	
97	56505836	2	DISC BRUSH 16 UNION MIX 3 LUG	
98	56505837	2	DISC BRUSH 16 MIDGRIT 3 LUG	
99	56505838	2	DISC BRUSH 16 MIDLITE 3 LUG	
100	56412191	2	BRUSH SOFT NYLON 28 YELLOW	
101	56412192	2	BRUSH HARD NYLON 28 NATURAL	
102	56412046	2	BRUSH POLYPROPYLENE 28 RED	
103	56412193	2	BRUSH 180 GRIT 28 BLUE/GREY	
104	56412194	2	BRUSH 80 GRIT 28 BLACK	
105	56412195	2	BRUSH 46 GRIT 28 ORANG/BROWN	

Brush selector guide-disk

BA 625/ BA 725/ BA 825

22-04-2010

Part List ID
E203129

43

Pos	Part no.	Qty	Description	EAN
1	56505750	1	PAD HOLDER 12 3 LUG	
2	56505195	1	PAD RETAINER	
3	56505751	1	DISC BRUSH 12 MAGNAGRIT 3 LUG	
4	56505752	1	DISC BRUSH 12 DYNAGRIT 3 LUG	
5	56505753	1	DISC BRUSH 12 AGLITE 3 LUG	
6	56505754	1	DISC BRUSH 12 PROLENE 3 LUG	
7	56505755	1	DISC BRUSH 12 PROLITE 3 LUG	
8	56505756	1	DISC BRUSH 12 UNION MIX 3 LUG	
9	56505757	1	DISC BRUSH 12 MIDGRIT 3 LUG	
10	56505758	1	DISC BRUSH 12 MIDLITE 3 LUG	
20	56505800	1	PAD HOLDER 14 3 LUG	
21	56505195	1	PAD RETAINER	
22	56505801	1	DISC BRUSH 14 MAGNAGRIT 3 LUG	
23	56505802	1	DISC BRUSH 14 DYNAGRIT 3 LUG	
24	56505803	1	DISC BRUSH 14 AGLITE 3 LUG	
25	56505804	1	DISC BRUSH 14 PROLENE 3 LUG	
26	56505805	1	DISC BRUSH 14 PROLITE 3 LUG	
27	56505806	1	DISC BRUSH 14 UNION MIX 3 LUG	
28	56505807	1	DISC BRUSH 14 MIDGRIT 3 LUG	
29	56505808	1	DISC BRUSH 14 MIDLITE 3 LUG	
40	56505830	1	PAD HOLDER 16 3 LUG	
41	56505195	1	PAD RETAINER	
42	56505831	1	DISC BRUSH 16 MAGNAGRIT 3 LUG	
43	56505832	1	DISC BRUSH 16 DYNAGRIT 3 LUG	
44	56505833	1	DISC BRUSH 16 AGLITE 3 LUG	
45	56505834	1	DISC BRUSH 16 PROLENE 3 LUG	
46	56505835	1	DISC BRUSH 16 PROLITE 3 LUG	
47	56505836	1	DISC BRUSH 16 UNION MIX 3 LUG	
48	56505837	1	DISC BRUSH 16 MIDGRIT 3 LUG	
49	56505838	1	DISC BRUSH 16 MIDLITE 3 LUG	

Brush selector guide-cylindrical

BA 625/ BA 725/ BA 825

22-04-2010

Part List ID
E203130

44

We provide brushes and pad holders that will give you the best possible performance between machine and floor. Following are descriptions of the materials and their applications.

- 46 Grit Brush:** Most aggressive grit brush. Used primarily to clean heavy buildup on concrete floors in factories, or for heavy stripping of finish.
- 80 Grit Brush:** Medium aggressive grit brush. Good all-around brush for medium to heavy buildup removal. Can also be used for general stripping operations.
- 180 Grit Brush:** Least aggressive grit brush. Used for daily cleaning of hard-finished floors.
- Polypropylene Brush:** Standard equipment brush. Low cost, yet effective in cleaning many common floor surfaces.
- Stiff Nylon Brush:** Cleaning action similar to polypropylene. More durable and wear-resistant than polypropylene.
- Soft Nylon Brush:** Least aggressive brush available. Used on soft-finish floors where a more aggressive brush would leave scratch marks, or in applications requiring very light cleaning.

BA 725 BRUSHES

- 56412191 - Soft Nylon
- 56412192 - Hard Nylon
- 56412046 - Prolene
- 56412193 - 180 Grit
- 56412194 - 80 Grit
- 56412194 - 46 Grit

CYLINDRICAL BRUSH APPLICATION GUIDE (SUGGESTION ONLY)

Application	46 Grit	80 Grit	180 Grit	Polypropylene	Stiff Nylon	Soft Nylon
Stripping:						
Concrete	X	X				
Terrazzo	X	X				
Ceramic/Quarry tile		X				
Vinyl tile		X				
General Scrubbing:						
Concrete	X	X	X	X	X	
Terrazzo			X	X	X	X
Ceramic/Quarry tile			X	X	X	X
Marble			X		X	X
Vinyl tile			X	X	X	X
Raised-rubber tile			X			X

Brush selector guide-cylindrical

BA 625/ BA 725/ BA 825

22-04-2010

Part List ID
E203130

45

Pos	Part no.	Qty	Description	EAN
1	56412191	1	BRUSH SOFT NYLON 28 YELLOW	
2	56412192	2	BRUSH HARD NYLON 28 NATURAL	
3	56412046	3	BRUSH POLYPROPYLENE 28 RED	
4	56412193	4	BRUSH 180 GRIT 28 BLUE/GREY	
5	56412194	5	BRUSH 80 GRIT 28 BLACK	
6	56412194	6	BRUSH 80 GRIT 28 BLACK	

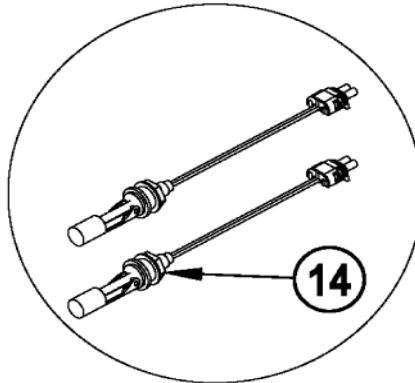
56315168 - Extended Scrub 24V Kit

BA 625/ BA 725/ BA 825

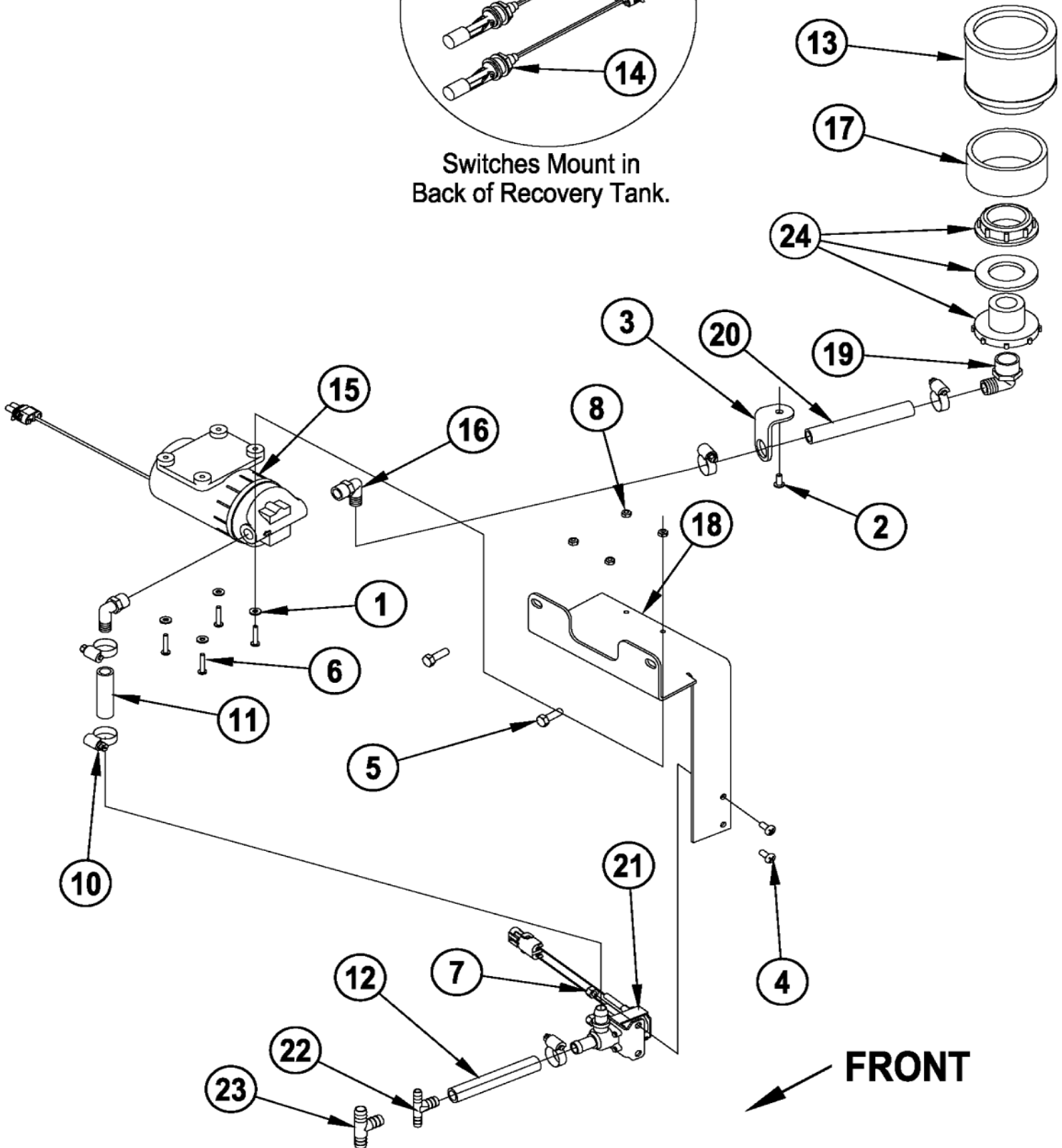
22-04-2010

Part List ID
IS56040824

46



Switches Mount in
Back of Recovery Tank.



56315168 - Extended Scrub 24V Kit

BA 625/ BA 725/ BA 825

22-04-2010

Part List ID
IS56040824

47

Pos	Part no.	Qty	Description	EAN
	56040824	1	INSTRUCTION SHEET	
1	56001954	4	WSH FLT SAE 10	#10
2	56002145	1	SCR PAN PHIL 1/4 20 X .50	
4	56002066	2	SCR PAN PHIL 1/4 20 X .62	
5	56002221	2	SCR HEX 5/16 18 X 1.00	
6	56002674	4	SCR PAN PHIL 10 24 X 1.00	
7	56002708	2	NUT HEX NYL LOC 1/4 20	
8	56002832	4	NUT HEX NYL LOC THIN 10 24	
10	56219932	5	CLAMP HOSE SAE 6 E00047	#6
11	56262180	1	HOSE SPIRAL .50 X 7 E00604	
12	56262663	1	HOSE PVC .500 X 9 E00199	
13	56315094	1	FILTER	
14	56315096	2	SWITCH FLOAT	
16	56900069	2	BARB 90 ELBOW 1/2 X 3/8NPT	
17	56315292	1	PVC TUBING 1.19	
18	56315328	1	BRACKET EXTENDED SCRUB	
19	56324035	1	ELBOW E00037	
20	56395870	1	HOSE E00604	
21	56397203	1	SOLUTION VALVE ASSY.	
22	56397300	1	TEE BARB	
23	56262549	1	TEE E00455	NOTE #2

NOTE #1: Items (1, 4, 6, 7, 8, 10, 11, 12, 15, 16, 18, 20, 21 & 22) are pre-assembled.

NOTE #2: Tee 56262549 is only used on machines with a 1/2" I.D. solution hose feeding the deck.

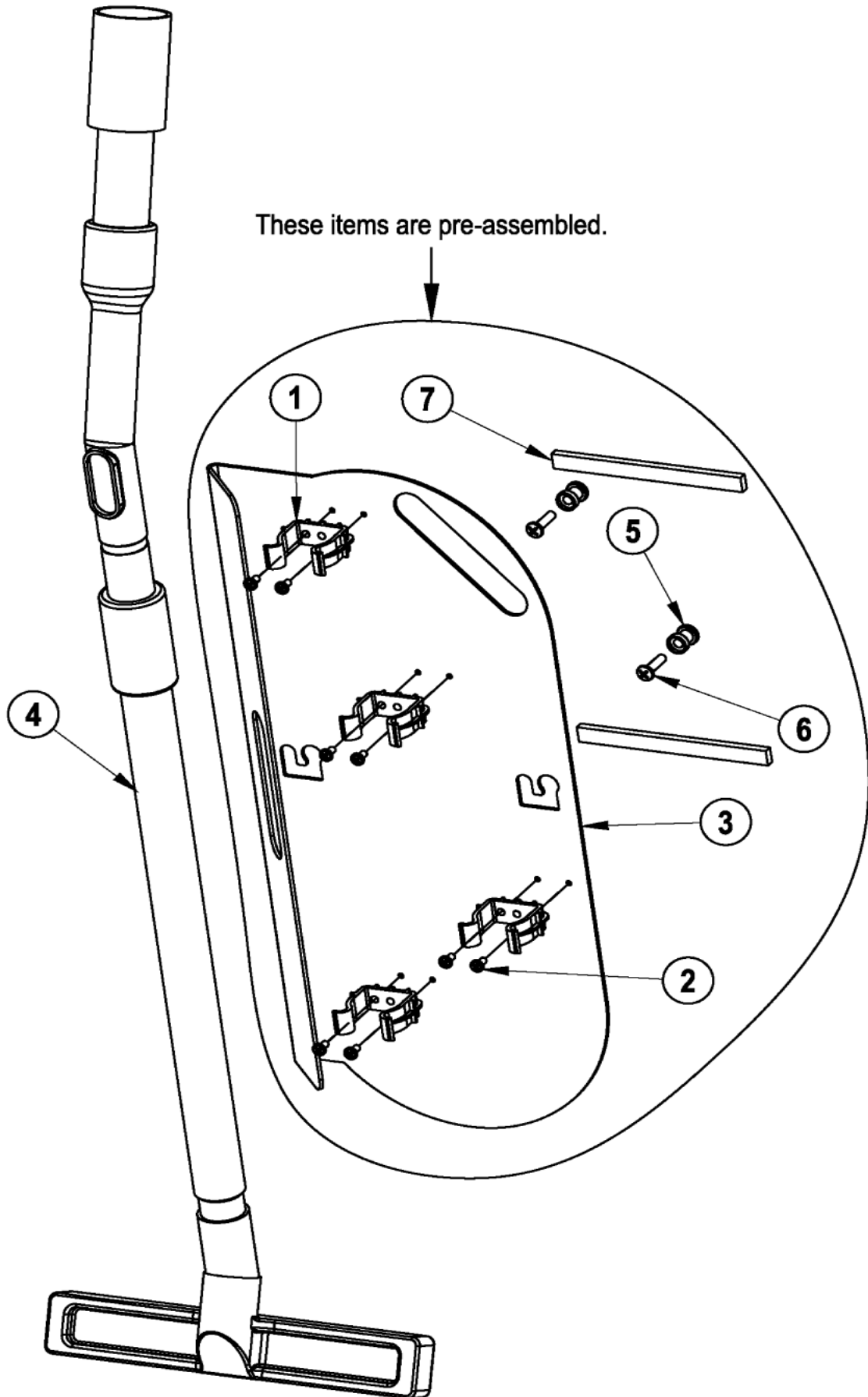
56315312 - Squeegee Wand Kit

BA 625/ BA 725/ BA 825

22-04-2010

Part List ID
IS56040825

48



56315312 - Squeegee Wand Kit

BA 625/ BA 725/ BA 825

22-04-2010

Part List ID
IS56040825

49

Pos	Part no.	Qty	Description	EAN
	56040825	1	INSTRUCTION SHEET	
1	56407361	4	CLAMP PLASTIC	
2	56009030	8	SCR PAN PHIL THD FOM 10 24X.38	
3	56315232	1	BRACKET WAND	
4	56315309	1	SCRUB/VAC WAND & HOSE	
5	56315311	2	SPACER STEPPED	
6	56002292	2	SCR PAN PHIL 1/4 20 X 1.00	
7	56315344	2	GASKET STRIP	

NOTE: Items (1, 2, 3 & 7) come preassembled.

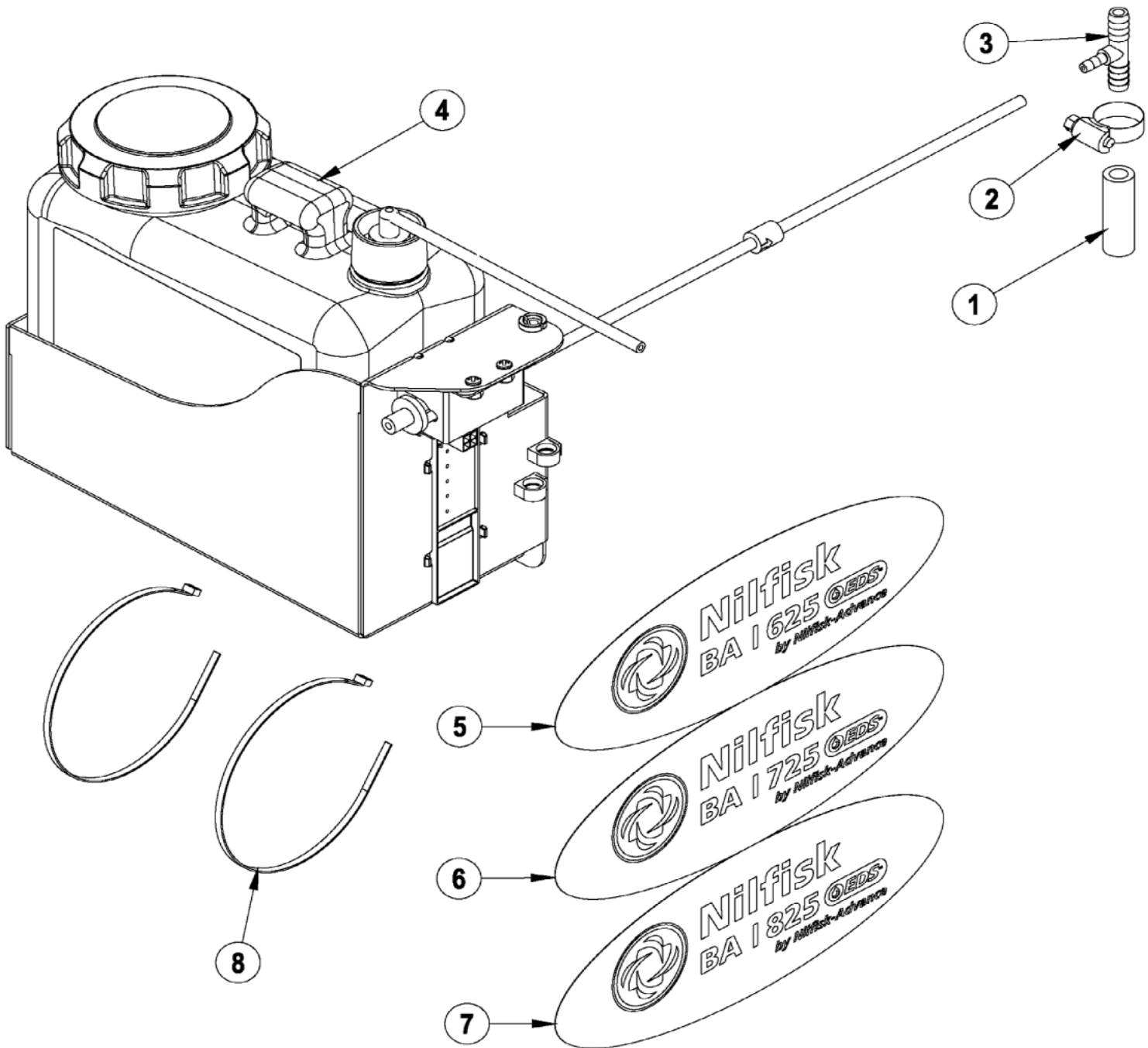
56315845 - EDS Onboard Chemical Kit

BA 625/ BA 725/ BA 825

22-04-2010

Part List ID
IS56040928

50



56315845 - EDS Onboard Chemical Kit

BA 625/ BA 725/ BA 825

22-04-2010

Part List ID
IS56040928

51

Pos	Part no.	Qty	Description	EAN
1	56412187	1	SOLUTION TUBE E00603	
2	56219932	1	CLAMP HOSE SAE 6 E00047	#6
3	56315265	1	TEE BARB	
4	56315501	1	CHEMICAL TANK ASSEMBLY	
8	56478523	2	CABLE TIE E00549	

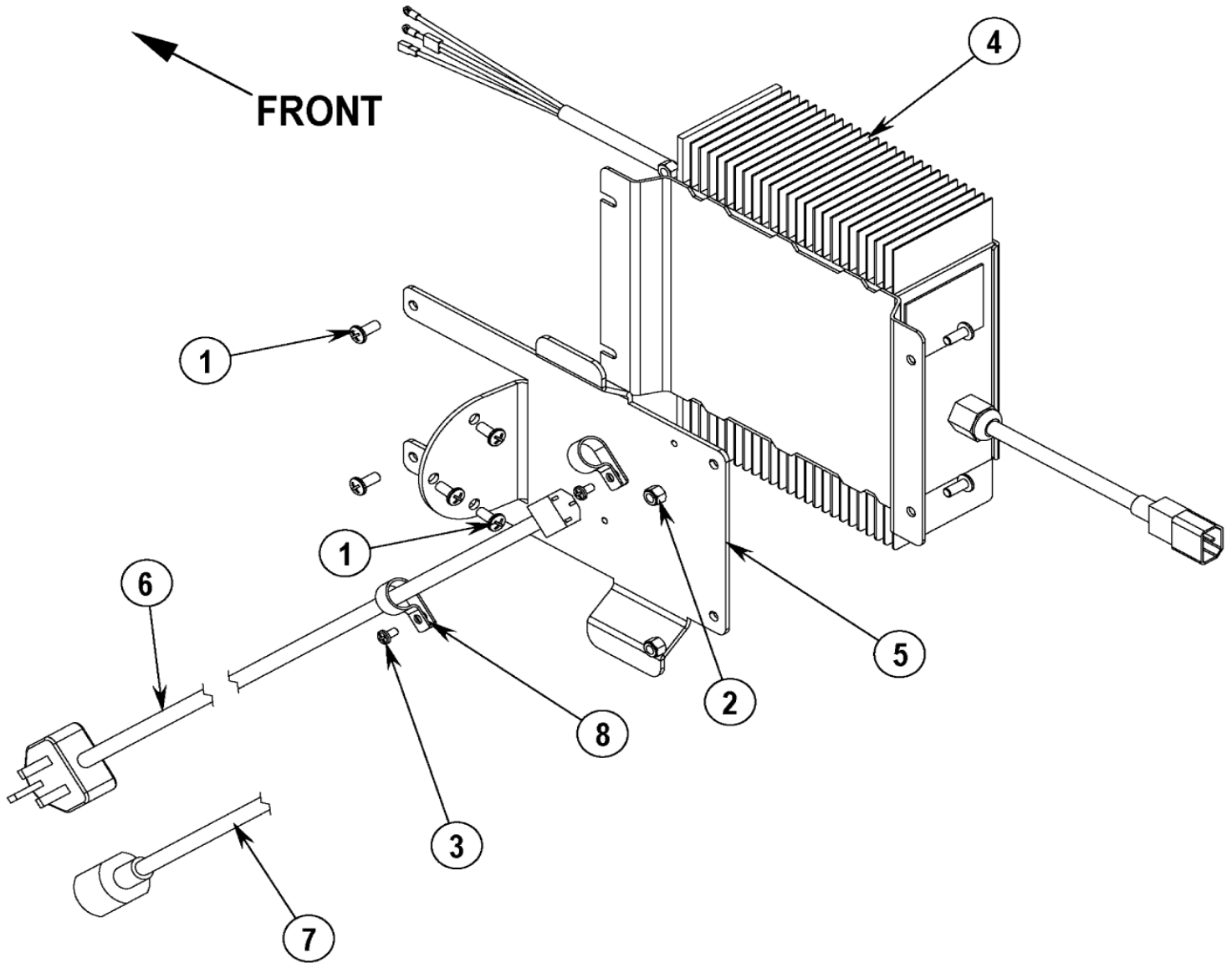
56315846 - Battery Charger Kit

BA 625/ BA 725/ BA 825

22-04-2010

Part List ID
IS56040929

52



56315846 - Battery Charger Kit

BA 625/ BA 725/ BA 825

22-04-2010

Part List ID
IS56040929

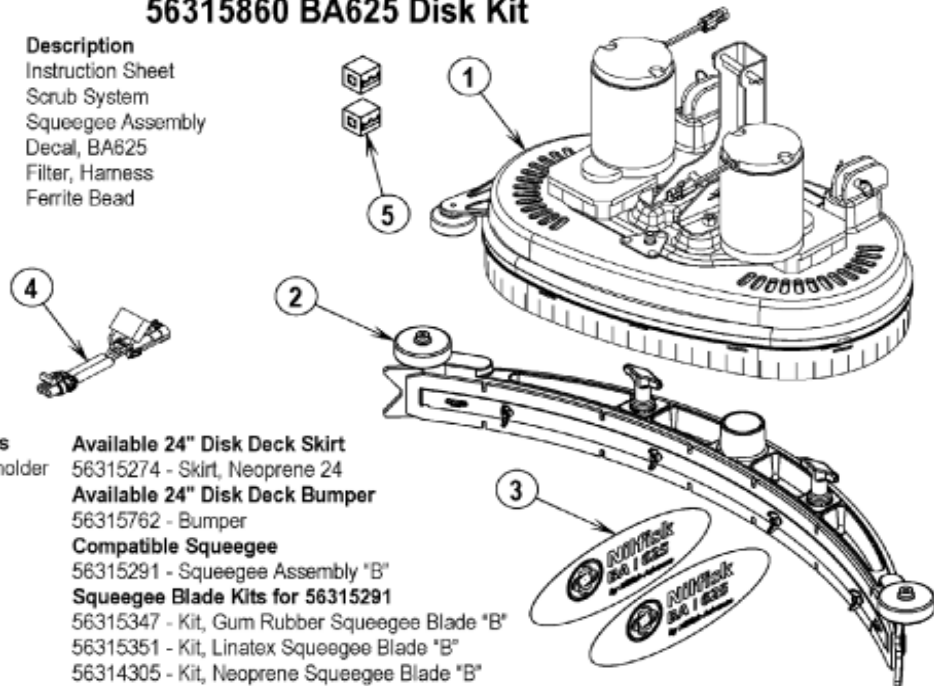
53

Pos	Part no.	Qty	Description	EAN
1	56002066	7	SCR PAN PHIL 1/4 20 X .62	
2	56002708	4	NUT HEX NYL LOC 1/4 20	
3	56009030	2	SCR PAN PHIL THD FOM 10 24X.38	
4	56315124	1	CHARGER ONBOARD 24V	
5	56315206	1	BRACKET CHARGER	
6	56315271	1	CHARGER CORD EUR	
7	56315664	1	CHARGER CORD UK	
8	56486112	2	CLAMP P	

NOTE: All items are preassembled except a qty of (3) of Item (1) and Item (7).

56315860 BA625 Disk Kit

Item	Ref. No.	Qty	Description
*	56040932	1	Instruction Sheet
1	NA	1	Scrub System
2	56315291	1	Squeegee Assembly
3	56315830	2	Decal, BA625
4	56315838	1	Filter, Harness
5	56413883	2	Ferrite Bead



Compatible Scrub Brushes

56505750 - Short Trim Padholder
56505751 - MagnaGrit
56505752 - DynaGrit
56505753 - AgLite
56505754 - ProLene
56505755 - ProLite
56505756 - Union Mix
56505757 - MidGrit
56505758 - MidLite

Available 24" Disk Deck Skirt

56315274 - Skirt, Neoprene 24

Available 24" Disk Deck Bumper

56315762 - Bumper

Compatible Squeegee

56315291 - Squeegee Assembly "B"

Squeegee Blade Kits for 56315291

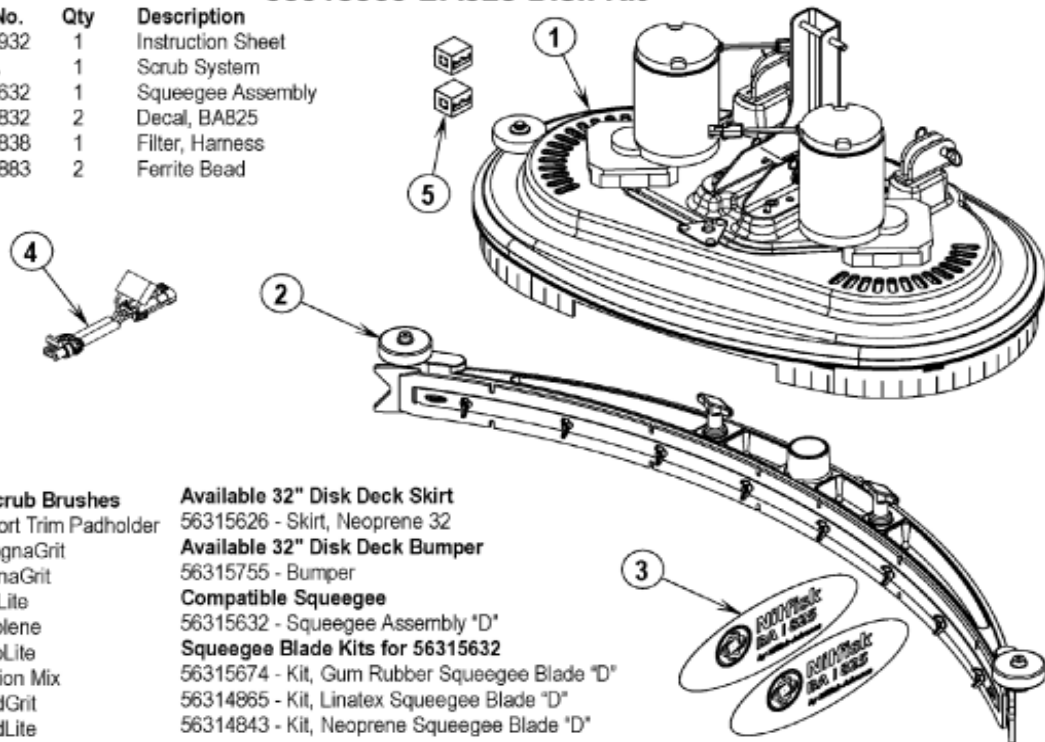
56315347 - Kit, Gum Rubber Squeegee Blade "B"

56315351 - Kit, Linatex Squeegee Blade "B"

56314305 - Kit, Neoprene Squeegee Blade "B"

56315863 BA825 Disk Kit

Item	Ref. No.	Qty	Description
*	56040932	1	Instruction Sheet
1	NA	1	Scrub System
2	56315632	1	Squeegee Assembly
3	56315832	2	Decal, BA825
4	56315838	1	Filter, Harness
5	56413883	2	Ferrite Bead



Compatible Scrub Brushes

56505830 - Short Trim Padholder
56505831 - MagnaGrit
56505832 - DynaGrit
56505833 - AgLite
56505834 - ProLene
56505835 - ProLite
56505836 - Union Mix
56505837 - MidGrit
56505838 - MidLite

Available 32" Disk Deck Skirt

56315626 - Skirt, Neoprene 32

Available 32" Disk Deck Bumper

56315755 - Bumper

Compatible Squeegee

56315632 - Squeegee Assembly "D"

Squeegee Blade Kits for 56315632

56315674 - Kit, Gum Rubber Squeegee Blade "D"

56314865 - Kit, Linatex Squeegee Blade "D"

56314843 - Kit, Neoprene Squeegee Blade "D"

56315860/56315863 - BA 625 / 825 Disk Ki

BA 625/ BA 725/ BA 825

22-04-2010

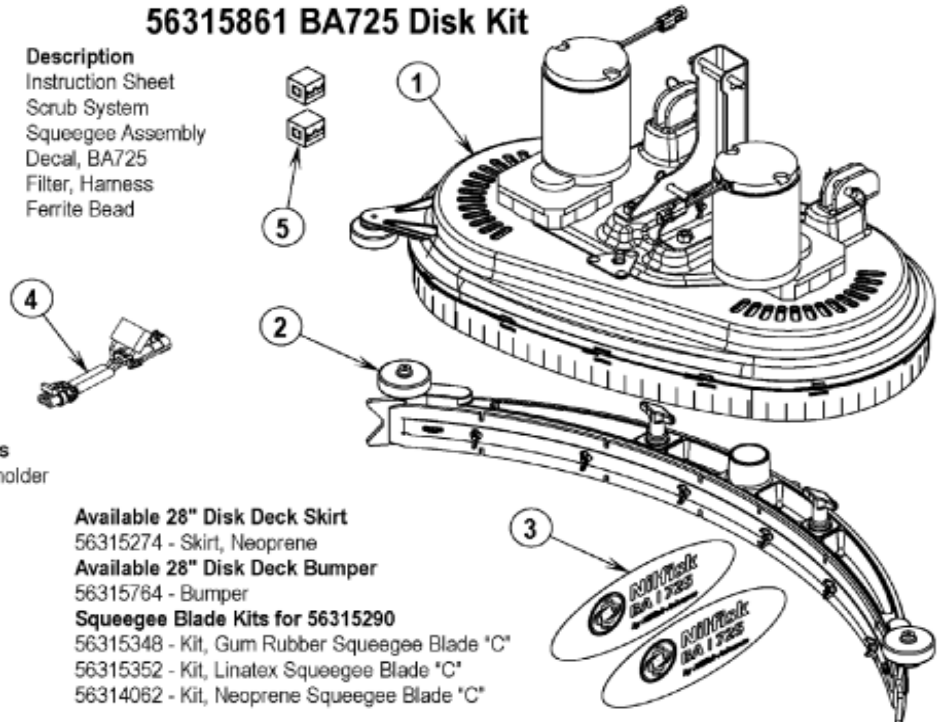
Part List ID
IS56040932A

55

Pos	Part no.	Qty	Description		EAN
1		1	NOTE COMMENT	56315860	5701715456
1		1	NOTE COMMENT	56315863	5701715456
2	56315291	1	SQUEEGEE ASSEMBLY	56315860	
2	56315632	1	SQUEEGEE ASSEMBLY D	56315863	
3	56315830	2	DECAL BA 625	56315860	
3	56315832	2	DECAL BA 825	56315863	
4	56315838	2	HARNESS FILTER		
5	56413883	2	FERRITE BEAD		

56315861 BA725 Disk Kit

Item	Ref. No.	Qty	Description
*	56040932	1	Instruction Sheet
1	NA	1	Scrub System
2	56315290	1	Squeegee Assembly
3	56315831	2	Decal, BA725
4	56315838	1	Filter, Harness
5	56413883	2	Ferrite Bead



Compatible Scrub Brushes

56505800 - Short Trim Padholder
 56505195 - Pad Retainer
 56505801 - MagnaGrit
 56505802 - DynaGrit
 56505803 - AgLite
 56505804 - Prolene
 56505805 - ProLite
 56505806 - Union Mix
 56505807 - MidGrit
 56505808 - MidLite

Available 28" Disk Deck Skirt

56315274 - Skirt, Neoprene

Available 28" Disk Deck Bumper

56315764 - Bumper

Squeegee Blade Kits for 56315290

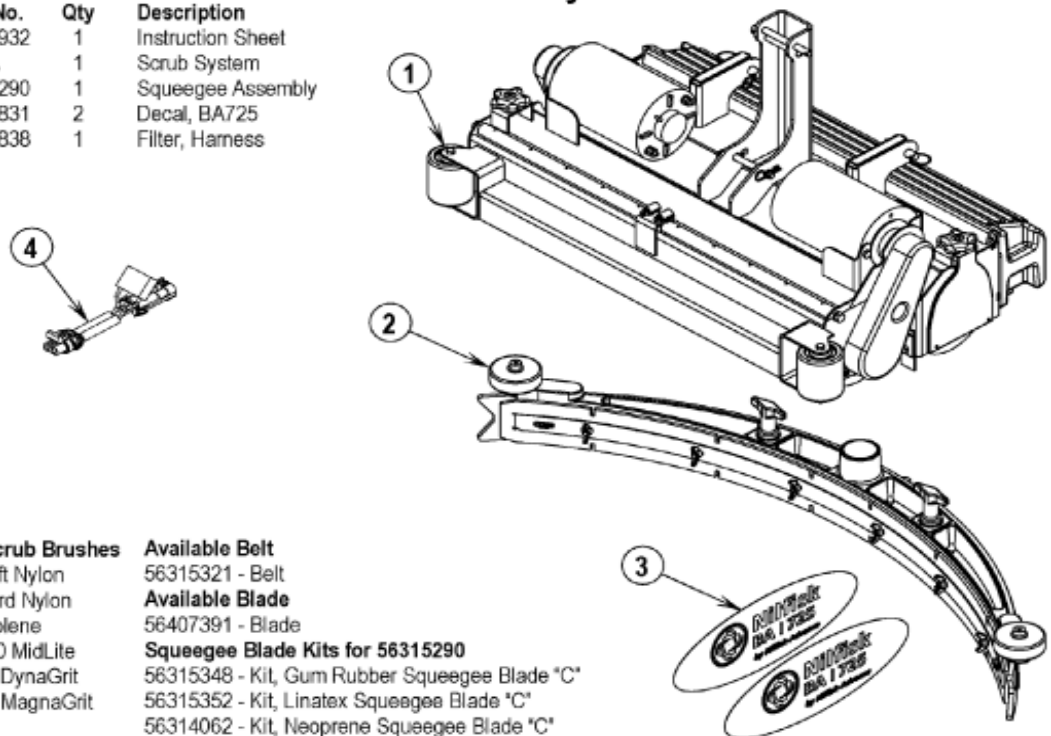
56315348 - Kit, Gum Rubber Squeegee Blade "C"

56315352 - Kit, Linatex Squeegee Blade "C"

56314062 - Kit, Neoprene Squeegee Blade "C"

56315862 BA725C Cyl. Kit

Item	Ref. No.	Qty	Description
*	56040932	1	Instruction Sheet
1	NA	1	Scrub System
2	56315290	1	Squeegee Assembly
3	56315831	2	Decal, BA725
4	56315838	1	Filter, Harness



Compatible Scrub Brushes

56412191 - Soft Nylon
 56412192 - Hard Nylon
 56412046 - Prolene
 56412193 - 180 MidLite
 56412194 - 80 DynaGrit
 56412195 - 46 MagnaGrit

Available Belt

56315321 - Belt

Available Blade

56407391 - Blade

Squeegee Blade Kits for 56315290

56315348 - Kit, Gum Rubber Squeegee Blade "C"

56315352 - Kit, Linatex Squeegee Blade "C"

56314062 - Kit, Neoprene Squeegee Blade "C"

56315861/56315862 - BA 725 Disk Kit / BA 725C

BA 625/ BA 725/ BA 825

22-04-2010

Part List ID
IS56040932B

57

Pos	Part no.	Qty	Description		EAN
1		1	NOTE COMMENT	56315861	5701715456
1		1	NOTE COMMENT	56315862	5701715456
2	56315290	1	SQUEEGEE ASSEMBLY 32	56315861 / 56315862	
3	56315831	2	DECAL BA 725	56315861 / 56315862	
4	56315838	2	HARNESS FILTER		
5	56413883	2	FERRITE BEAD		

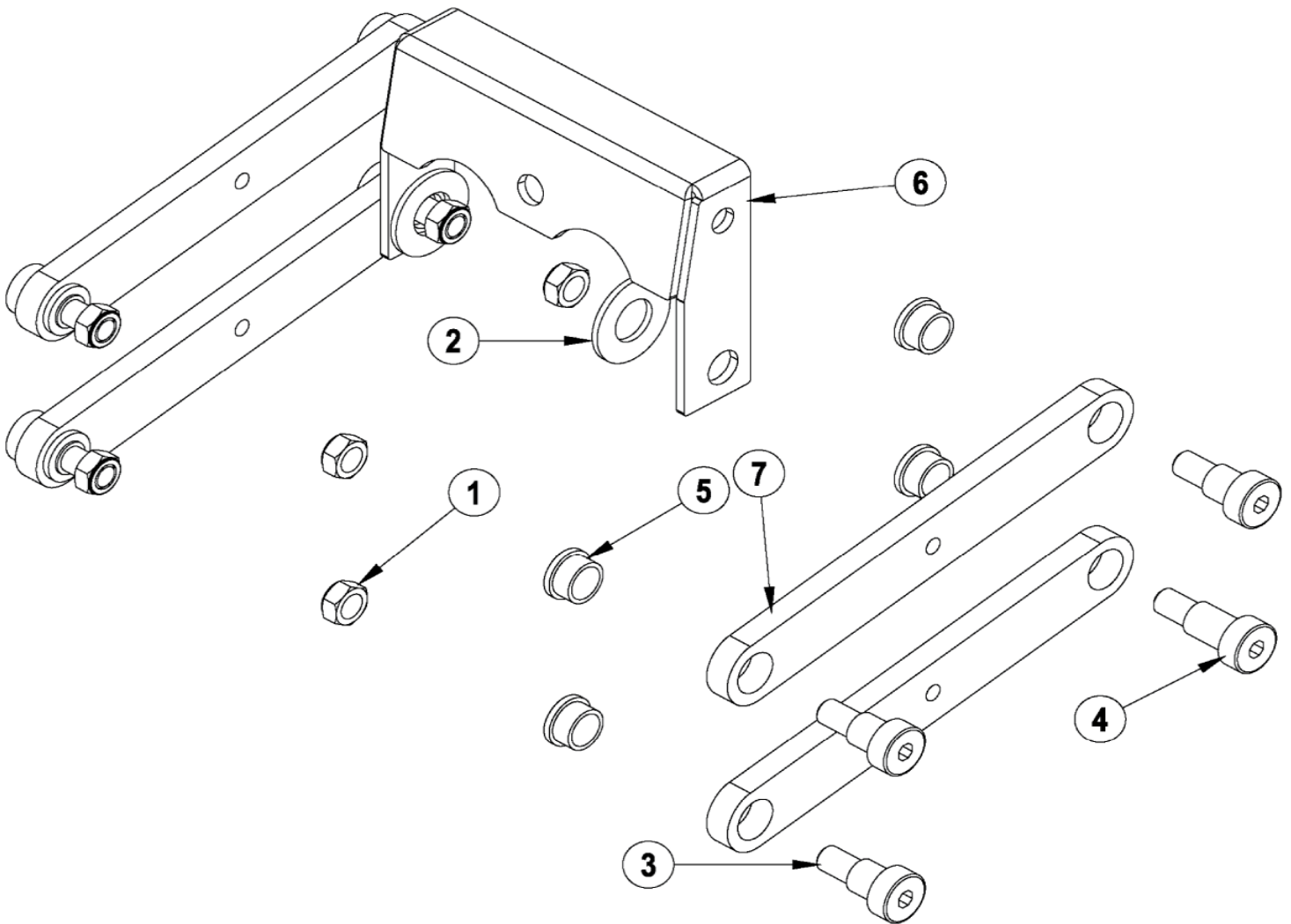
56315767 - Squeegee Linkage Kit

BA 625/ BA 725/ BA 825

22-04-2010

Part List ID
IS56040953

58



56315767 - Squeegee Linkage Kit

BA 625/ BA 725/ BA 825

22-04-2010

Part List ID
IS56040953

59

Pos	Part no.	Qty	Description	EAN
1	56002852	8	NUT HEX NYL LOC THIN SS 3/8 16	
2	56002940	2	WSH FLT SAE SS 5/8	
3	56003682	6	SCR SOC HD SHD .50X.50X3/8 16	
4	56003692	2	SCR SOC SHD .50 X .75 X 3/8 16	
5	56185264	8	BEARING FLANGE E00201	
6	56315713	1	BRACKET SQUEEGEE LEVEL	
7	56315338	4	ARM SQUEEGEE LINKAGE	

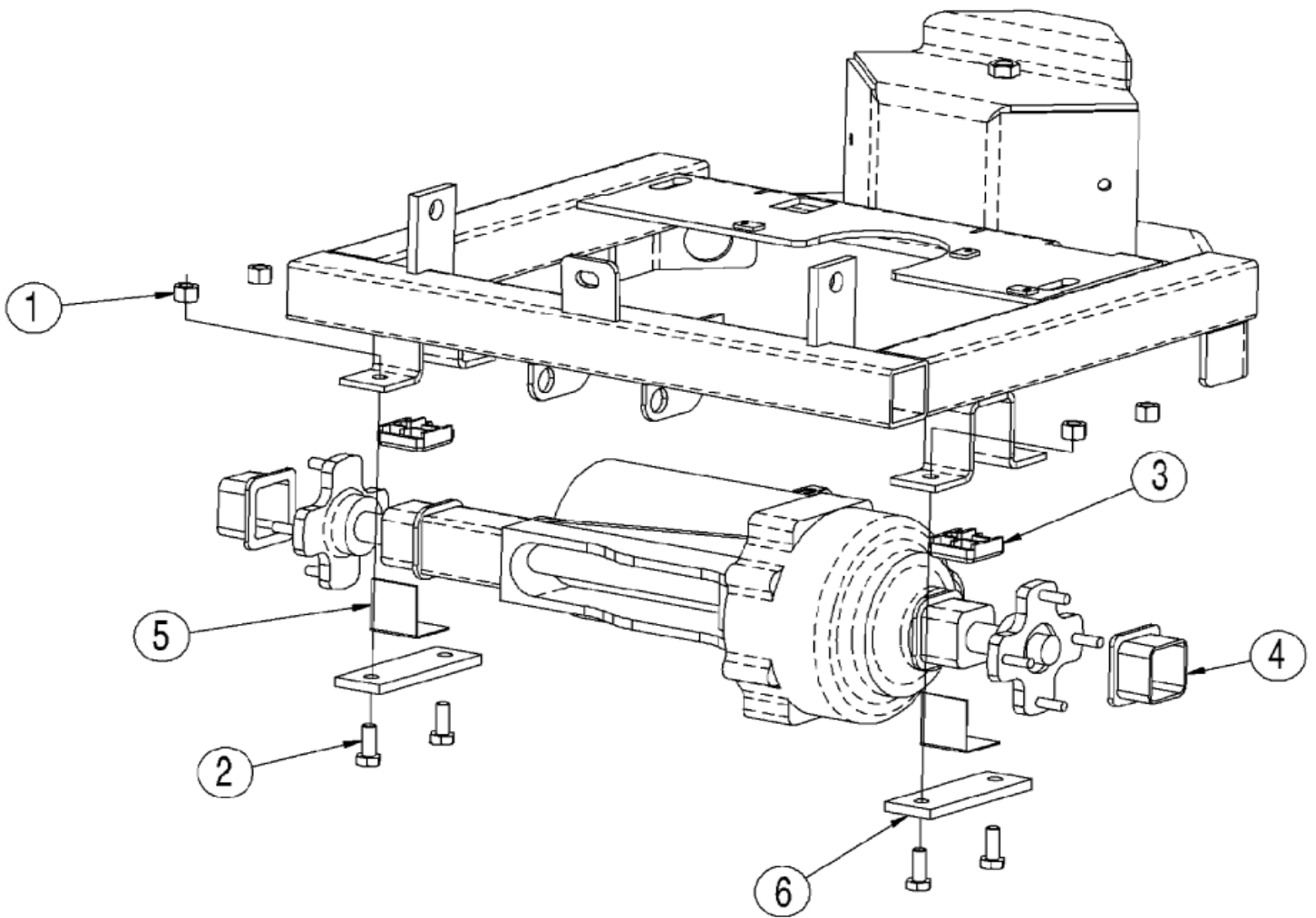
56380497 - Transaxle Kit 24 V

BA 625/ BA 725/ BA 825

22-04-2010

Part List ID
IS56040998

60



56380497 - Transaxle Kit 24 V

BA 625/ BA 725/ BA 825

22-04-2010

Part List ID
IS56040998

61

Pos	Part no.	Qty	Description	EAN
1	56003405	4	NUT HEX NYL LOC SS M8X1.25	
2	56003435	4	SCR HEX SS M8 1.25X20MM	
3	56315258	2	SHIM	
4	56315379	2	MOUNTING SLEEVE NEOPRENE	
5	56380496	2	SHIM ANGLE TRANSAXLE	
6	56380499	2	PLATE TRANSAXLE	

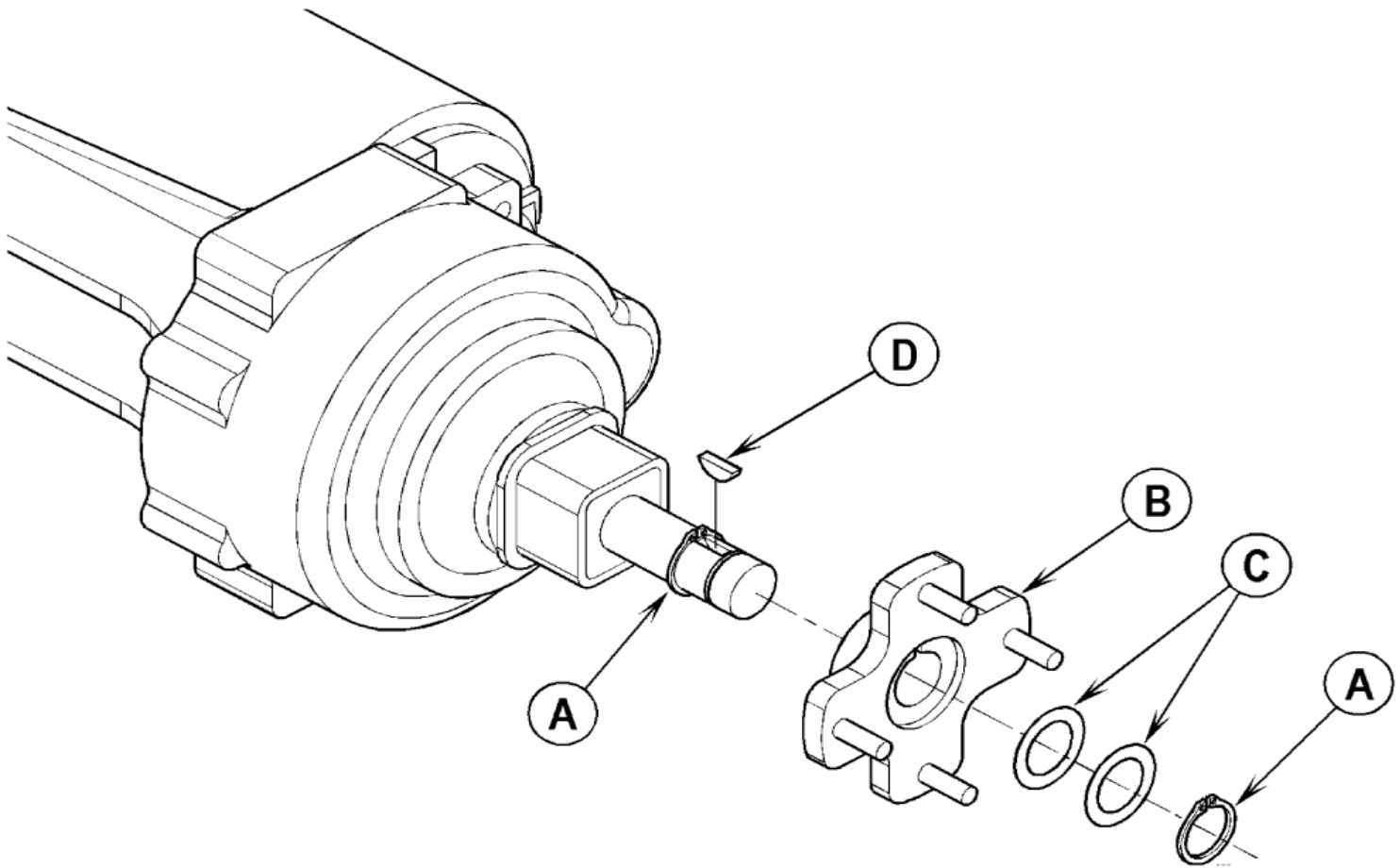
56380503 - Transaxle Hub Kit

BA 625/ BA 725/ BA 825

22-04-2010

Part List ID
IS56090001

62



56380503 - Transaxle Hub Kit

BA 625/ BA 725/ BA 825

22-04-2010

Part List ID
IS56090001

63

Pos	Part no.	Qty	Description	EAN
A		2	NOTE COMMENT RETAINING RINGS	5701715456
B		1	NOTE COMMENT WHEEL FLANGE W/FOUR STUDS 1/4-20NC X 1"	5701715456
C		2	NOTE COMMENT STEEL SHIM 1-1/8" OD X 3/4" ID X .010" THICK	5701715456
D		1	NOTE COMMENT WOODRUFF KEY #605	5701715456

Pos.: A + B + C + D is not available