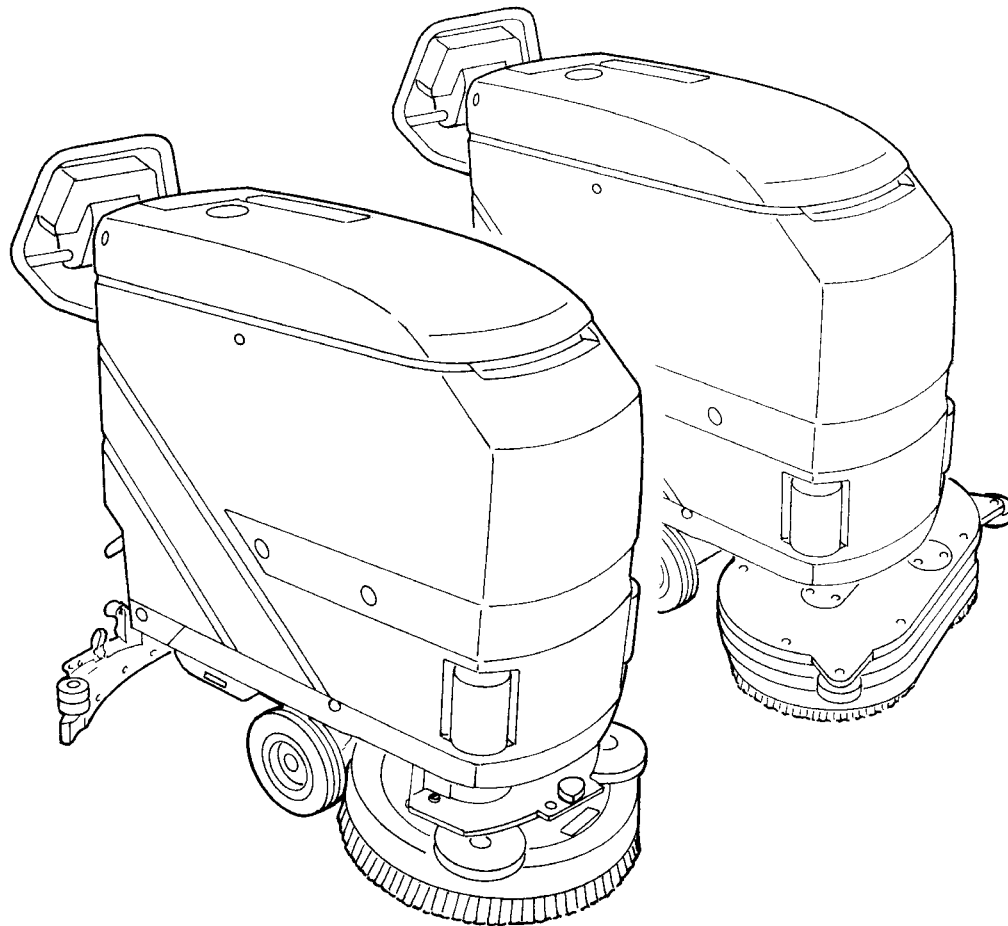


BA 450/530 – BA 610

BA 530 Inox



CATALOGO RICAMBI
PARTS LIST
LISTE DES PIECES DETACHEES
ERSATZTEILLISTE

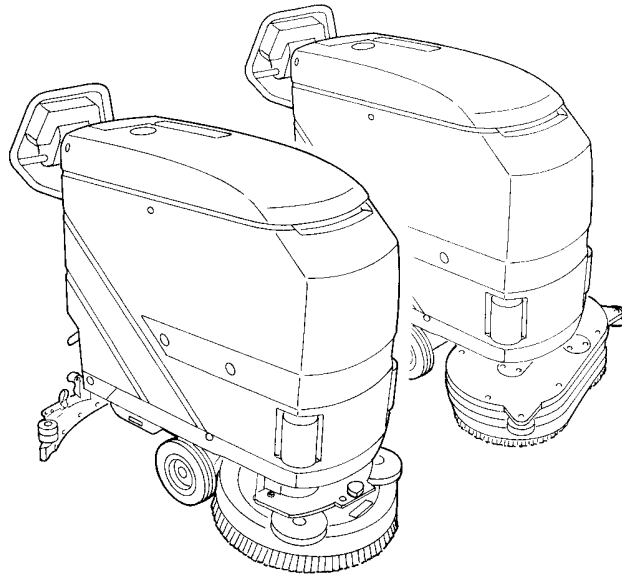


Nilfisk
Advance

setting standards

08603654(5)2003-06





I	GB	D	F	Pagina- Page Seite - Page
GRUPPO SERBATOIO	TANK ASSEMBLY	TANK GRUPPE	RESERVOIR	2 - 3
GRUPPO SERBATOIO	TANK ASSEMBLY	TANK GRUPPE	RESERVOIR	4 - 5
GRUPPO TELAIO	CHASSIS SYSTEM	CHASSIS SYSTEM	CHASSIS SYSTEM	6 - 7
GRUPPO SOLL. PEDALE	PEDAL LIFTING	FUßPEDAL AUFHEBUNG	PEDAL ENLEVER	8 - 9
GRUPPO SPAZZOLA BA450/530	BRUSH DRIVE SYSTEM BA 450/530	BUERSTENANTRIEBE BA 450/530	MOTOR DE LA BROUSSE BA450/530	10 - 13
GRUPPO SPAZZOLA BA 610	BRUSH DRIVE SYSTEM BA 610	BUERSTENANTRIEBE BA 610	MOTOR DE LE BROUSSES BA 610	14 - 15
ASSIEME DISCHI TRASCINATORI	PAD HOLDER ASSEMBLIES	TREIBTELLER SAETZE	DISQUES D'ENTRAINEMENTS	16 - 17
GRUPPO TERGITORE BA 450/530	SQUEEGEE SYSTEM BA450/530	SAUGDUESENGRUPPE BA450/530	SYSTEM D'EMBOCH. BA 450/530	18 - 21
GRUPPO TERGITORE BA 610	SQUEEGEE SYSTEM BA610	SAUGDUESENGRUPPE BA 610	SYSTEM D'EMBOCHURE BA 610	22-23
GRUPPO MANIGLIONE	SWITCH HOUSING	SCHALTERGEHAEUSE	BOITE D'INTERRUPTEUR	24-25
GRUPPO MANIGLIONE	SWITCH HOUSING	SCHALTERGEHAEUSE	BOITE D'INTERRUPTEUR	26-27
PANNELLO DI CONTROLLO	CONTROL PANEL ASSEMBLY	ARMATUREN BRETT	PANNEAU DE CONTROLE	28-29
GRUPPO ELETTROVALVOLA	SOLUTION SYSTEM	WASSERZUFUEHRUNG	CIRCUIT D'ARROSAGE	30-31
SISTEMA ELETTRICO	WIRING SYSTEM	ELEKTRISCHE SYSTEM	SCHEMA ELECTRIQUE	32-33
SISTEMA ELETTRICO	WIRING SYSTEM	ELEKTRISCHE SYSTEM	SCHEMA ELECTRIQUE	34-35
SISTEMA ELETTRICO	WIRING SYSTEM	ELEKTRISCHE SYSTEM	SCHEMA ELECTRIQUE	36-37
SISTEMA ELETTRICO	WIRING SYSTEM	ELEKTRISCHE SYSTEM	SCHEMA ELECTRIQUE	38-39
SISTEMA ELETTRICO	WIRING SYSTEM	ELEKTRISCHE SYSTEM	SCHEMA ELECTRIQUE	40-41
SISTEMA ELETTRICO	WIRING SYSTEM	ELEKTRISCHE SYSTEM	SCHEMA ELECTRIQUE	42-43
SCHEMA ELETTRICO	WIRING DIAGRAM	SCHALTPLAN	DIAGRAMME ELECTRIQUE	44
SCHEMA ELETTRICO	WIRING DIAGRAM	SCHALTPLAN	DIAGRAMME ELECTRIQUE	45
SCHEMA ELETTRICO	WIRING DIAGRAM	SCHALTPLAN	DIAGRAMME ELECTRIQUE	46
SCHEMA ELETTRICO	WIRING DIAGRAM	SCHALTPLAN	DIAGRAMME ELECTRIQUE	47
SCHEMA ELETTRICO	WIRING DIAGRAM	SCHALTPLAN	DIAGRAMME ELECTRIQUE	48
SCHEMA ELETTRICO	WIRING DIAGRAM	SCHALTPLAN	DIAGRAMME ELECTRIQUE	49

WHEN ORDERING PARTS

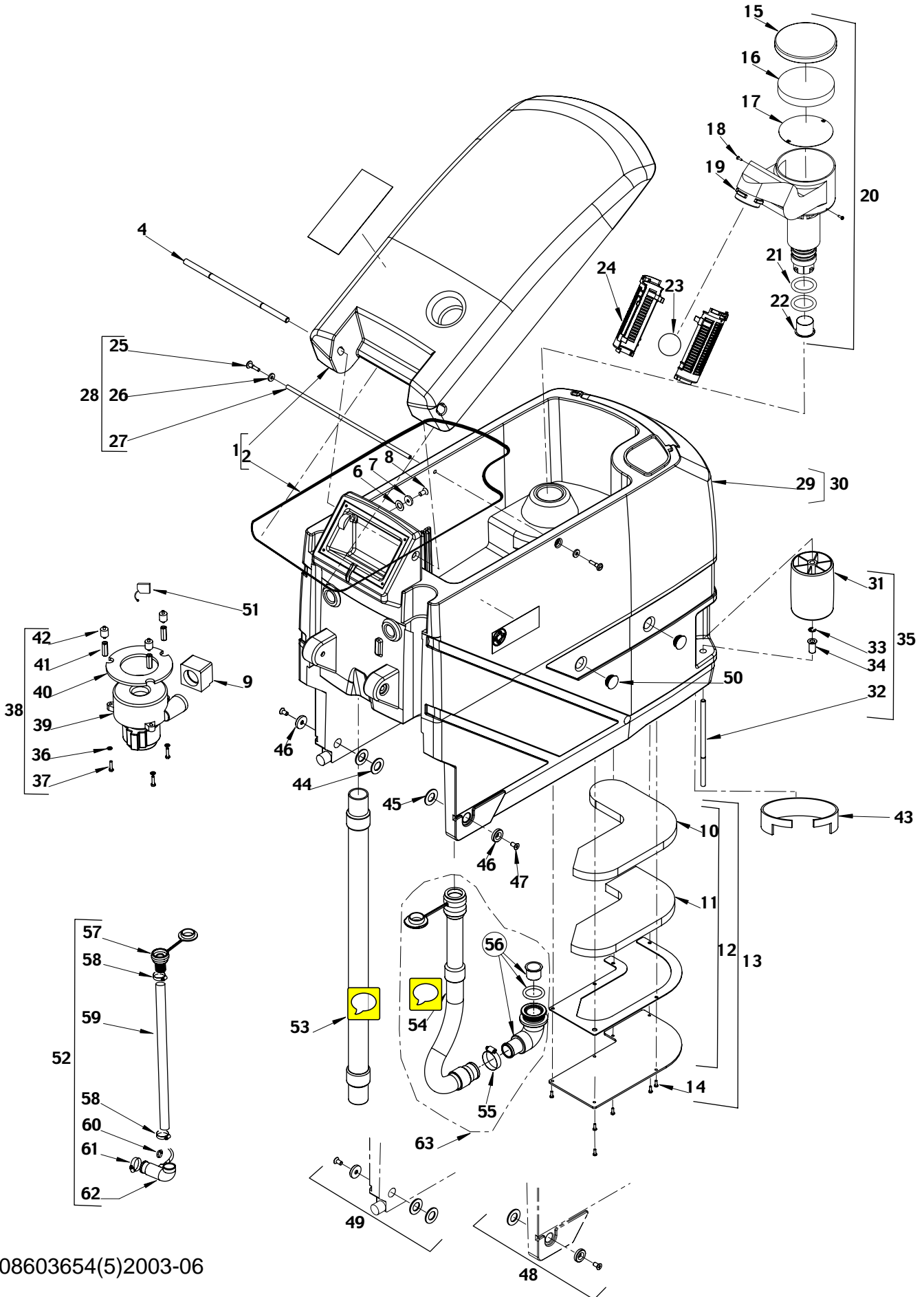
- * Use the 8, 9 or 10 digit numbers from the "Ref. No." columns in this parts list.
- * Specify the model and serial number of the machine.
- * Use the space below to record the model and the serial number for future reference.

Model _____ Serial No. _____

*** = Optional**

= Modified Item no. or New Item no.

0 = Not shown

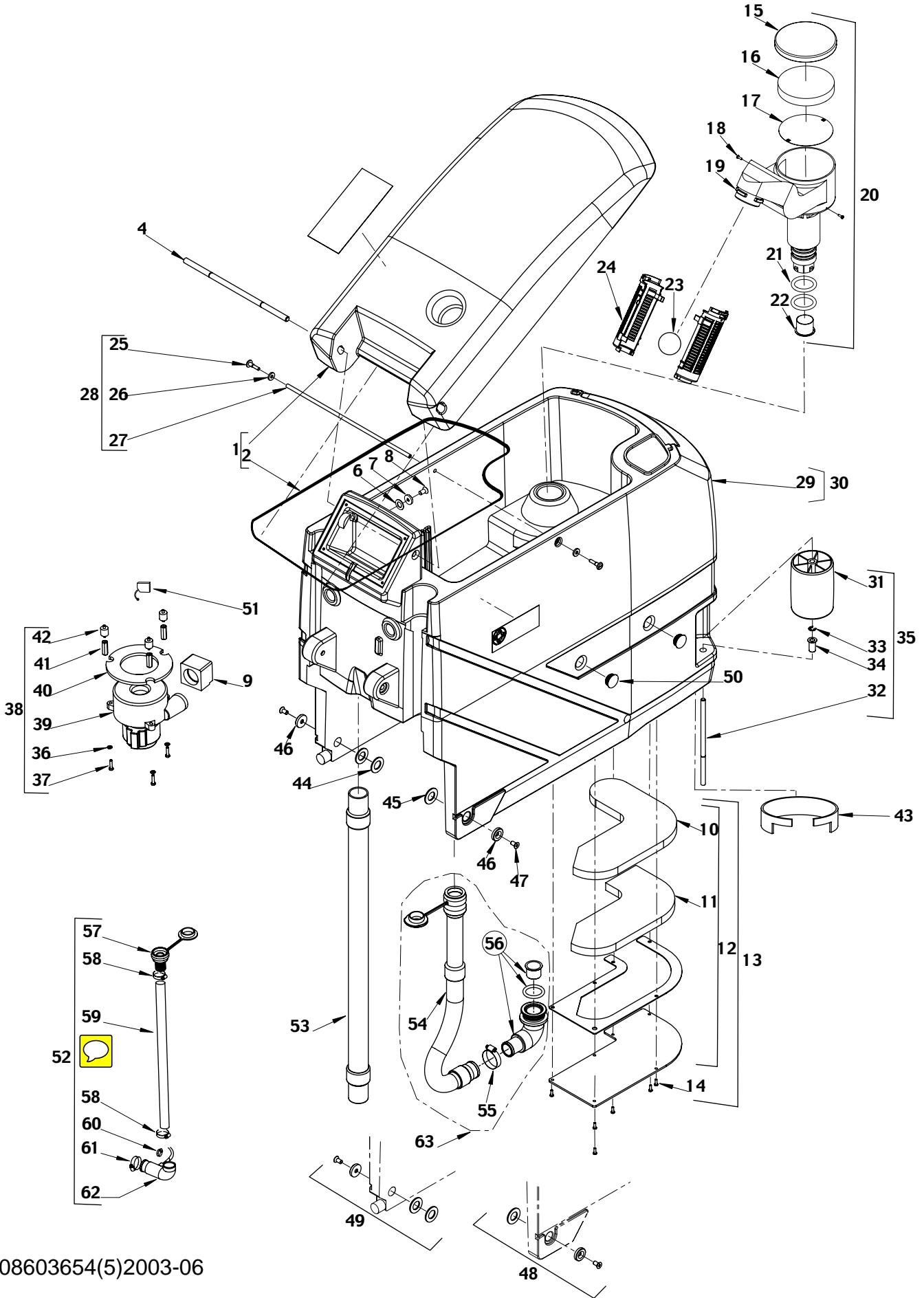


2003-06	GRUPPO SERBATOIO/ TANK ASSEMBLY		BOOK E		
	BA 450/530 - BA 530 Inox - BA 610		E	3.6.1	3

Item no.	Ref. No.	Qty	Descrizione	Description	Beschreibung	Désignation
1#	L08812712	1	Coperchio serbatoio	Cover tank/ gasket	Tank Deckel m/Dichtung	Couvercle avec joint
2#	L08812454	1	Kit guarnizione coperchio	Gasket kit, tank cover	Dichtung Deckel Satz	Joint kit
4#	L08812262	1	Perno coperchio (ODM1438)	Axle, tank lid	Stift	Axe
6#	L08812317	2	Rondella	Washer, rubber 8,5x31x5	Beilagscheibe	Rondelle
7#	L08812336	2	Rondella	Washer flat 10x30 SS	Beilagscheibe	Rondelle
8#	L08812344	2	Vite TE M10x50	Screw hex hd M10x50	Schraube	Vis
9#	L08812318	1	Manicotto motore asp.	Sleeve	Muffe	Manchon
10#	L08812340	1	Pannello isolante	Foam acustic upper	Daemmmatte oben	Panneau isolant haut
11#	L08812443	1	Pannello isolante	Insulating panel	Isolierpanel	Panel isolant
12#	L08603650	1	Pannello isolante	Insulating panel	Isolierpanel	Plaque av.joint cpl
13#	L08812453	1	Kit insonorizzante	Insulating kit for tank	Isolierpanel Satz	Panneau isolant cpl
14#	L08812804	6	Vite TCTC 4x12 autofil.	Screw cyl 4x12 thd form	Schraube	Vis
15#	L08812582	1	Coperchio filtro	Cover filter	Filter Deckel	Couvercle pre-filter
16#	L08602016	1	Filtro	Filter	Filter	Filter
17#	L08602017	1	Rete per filtro	Grate	Gitter	Grille
18#	L08603123	2	Vite TCTC 3,5x11 inox	Screw cyl hd thd form 3,5x11 SS	Schraube	Vis
19#	L08812256	1	Corpo per filtro	Filter housing	Filterkasten	Compartment du filtre
20#	L08812475	1	Kit pre-filtro	Pre-filter kit complete	Vorfilter kpl	Pre-filter cpl
21#	L08812260	2	Guarnizione	O-ring	O-Ring	Circlip
22#	L08812351	1	Distanziale	Bushing	Bundbuchse	Douille à collet
23#	L08812373	1	Galleggiante	Floating ball	Ball	Flotteur
24#	L08812259	2	Contenitore galleggiante	Cage, float complete	Schwimmer kpl	System de flotteur cpl
25#	L08812687	2	Vite TCCI M6x16 nylon	Fitting screw M6x16 nylon	Schraube	Vis
26#	L08812686	2	Distanziale	Rubber bushing 7x18x3	Scheibe	Entretoise
27#	L08812688	1	Perno regolazione serb.	Tank adjuster pin	Tank regulierung Stift	Pivot reglage de reservoir
28#	L08812715	1	Kit stanga con supporto	Rod with fastening assy	Stange kpl	Axe,couverde Reservoir kit
29#	L08812711	1	Serbatoio	Tank	Tank	Reservoir
30#	L08812875	1	Kit serbatoio TSB 2001-015	Tank cpl	Tank kpl	Kit reservoir complet
31#	L08812248	2	Rullo paracolpi	Bumper roller	Abweisrolle	Défecteur
32#	L08812312	2	Perno per rullo paracolpi	Axle for bumper roller	Achse	Axe
33#	L08211800	2	Seeger	Retaining ring	Sicherungsscheibe	Circlip
34#	L08812347	2	Distanziale	Bushing	Buchse	Douille à collet
35#	L08812477	2	Kit rullo paracolpi	Bumper roller assy	Abweisrolle kpl	Roulette cpl
36#	L08602395	3	Rondella piana	Washer flat M6x12,5	Beilagscheibe	Rondelle
37#	L08603680	3	Vite TE M6x20	Screw hex hd M6x20	Schraube	Vis
38#	L08812478	1	Kit mot. aspirazione	Turbine 24V complete	Turbine Satz 24V kpl	Turbine 24 complete
39#	L08603888	1	Kit mot. asp. TSB IT 2003-005	Vacuum mot. 24V w/connec. kit	Turbine m/Stecker Satz	Turbine avec prise kit
40#	L08602410	1	Guarnizione	Seal	Dichtung	Joint
41#	L08812468	3	Distanziale	Spacer	Distanzbolzen	Entretoise
42#	L08812462	3	Antivibrante	Vibration damping	Gummipuffer	Tampon de caoutchouc
43#	909 5042 000	1	Fonoassorbente	Acustic insulation	Isolierung	Isolant
44#	L08812439	2	Rondella piana	Washer flat nylon	Beilagscheibe	Rondelle
45#	L08812357	1	Rondella	Washer flat	Beilagscheibe	Rondelle
46#	L08812392	2	Distanziale	Bushing	Scheibe	Rondelle
47#	L08812446	2	Vite TSPTC M8x20	Screw 8x20	Schraube	Vis
48#	L08812473	1	Kit sostegno serbatoio dx	Tank reinforce right assy	Tank befestigung recht kpl	Support reservoir droite cpl
49#	L08812474	1	Kit sostegno serbatoio sx	Tank reinforce left assy	Tank befestigung links kpl	Support reservoir gauche cpl
50#	L08812457	4	Tappo per serbatoio	Tank locking cap	Tank Pfropfen	Bouchon
51#	L08812887	2	Spazzola (a)	Carbon brush (a)	Kohlenbuerste (a)	Charbon (a)
51#	99 5074 000	1	Set carboncini (b)	Carbon brush set (b)	Kohlenbuerste Satz (b)	Kit charbon (b)
52#	L08603903	1	Kit tubo ac.pulita TSB 2002-008	Kit fresh wat hose	Frischwasserschlauch Satz	Kit tuyau eau propre
53#	L08603883	1	Tubo aspirazione	Suction hose	Saugschlauch	Flexible d'aspiration
54#	L08812869	1	Tubo acqua pulita	Drain hose	Abwasserschlauch	Flexible de vidange
55#	145 0543 000	1	Fascetta	Clamp	Schelle	Bride
56#	08812874	1	Kit manicotto tubo scarico	Elbow drain hose assy	Abwas.schl.Elbogen Satz	Manchon kit

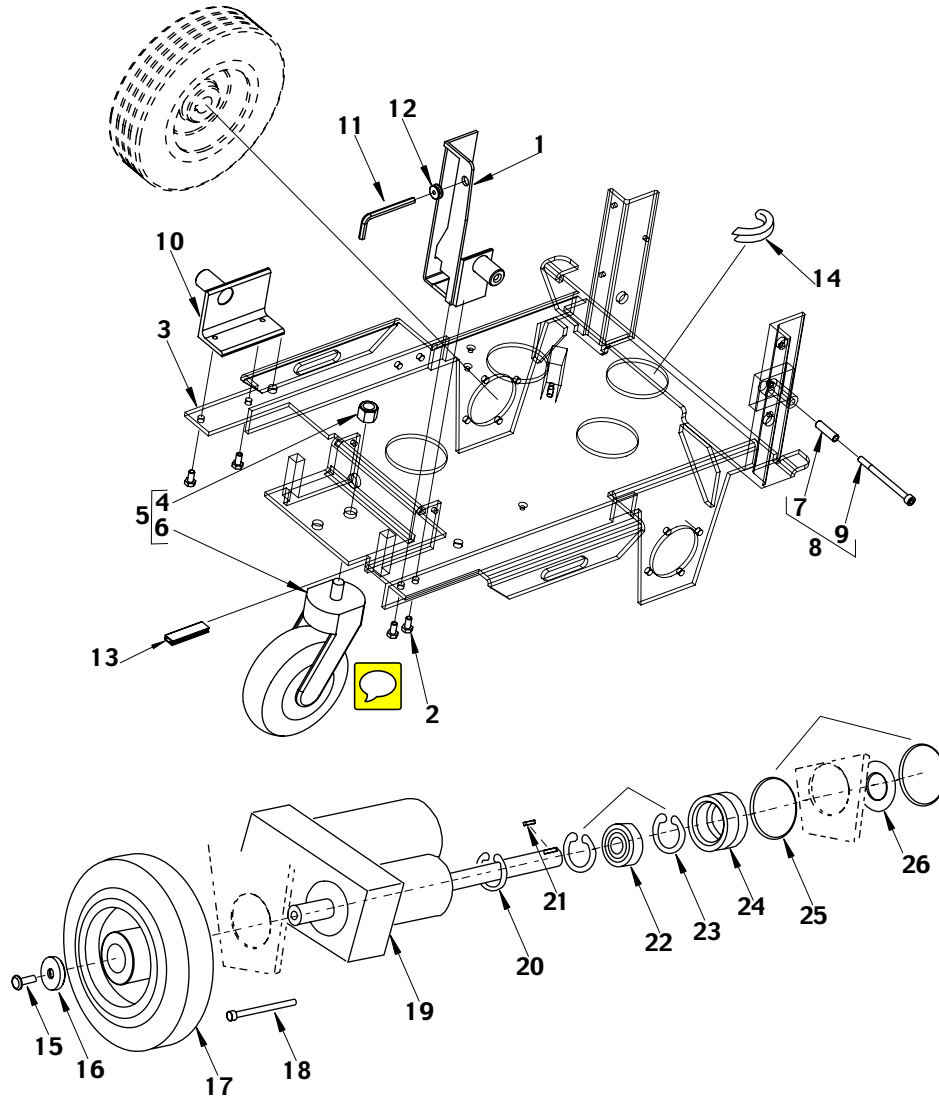
(a) for old Fise vacuum motor 08602437 (b) for new Ametek vacuum motor 909 5021 000 ref. **TSB IT 2003-005**

08603654(5)2003-06

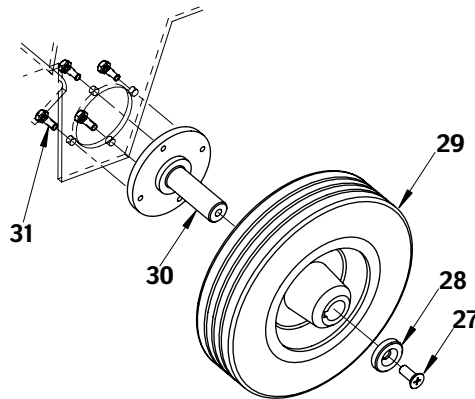


2003-06	GRUPPO SERBATOIO/ TANK ASSEMBLY		BOOK E	
	BA 450/530 - BA 530 Inox - BA 610		3.6.1	5

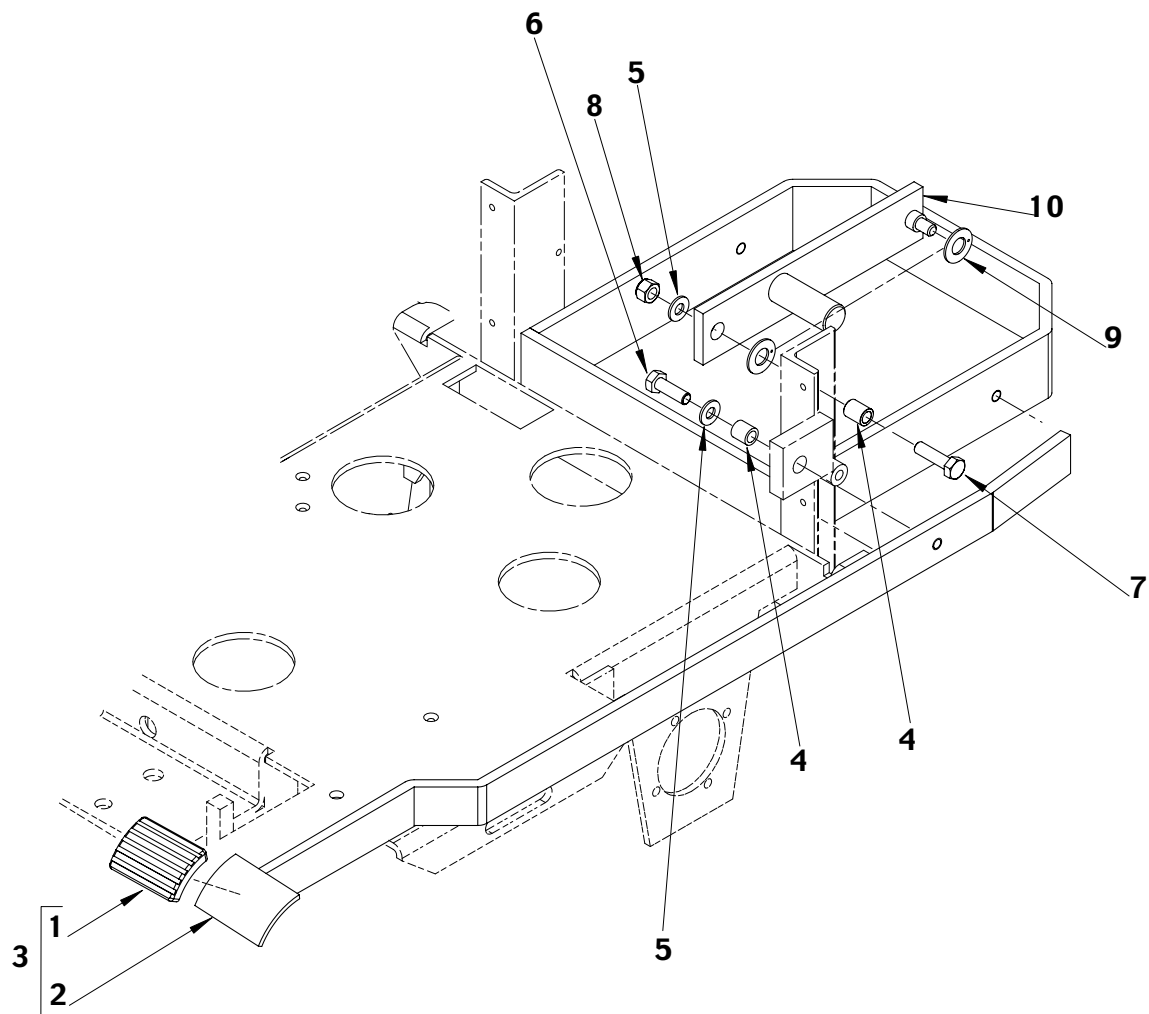
Item no.	Ref. No.	Qty	Descrizione	Description	Beschreibung	Désignation
57#	L08603868	1	Chiusura tubo acqua pul.	Closure clean water hose	Verschluß Frischwassersch.	Fermeture tuyeau eau pr.
58#	L08603916	2	Fascetta	Clamp	Schelle	Bride
59#	L08603869	1	Tubo acqua pulita	Hose clean water	Frischwasserschlauch	Tuyau eau propre
60#	L08603901	1	Fascetta	Clamp	Schelle	Bride
61#	L08236100	1	Fascetta	Clamp	Schelle	Bride
62#	L08603870	1	Manicotto	Elbow	Elbogen	Manchon



BA 450/530 without traction

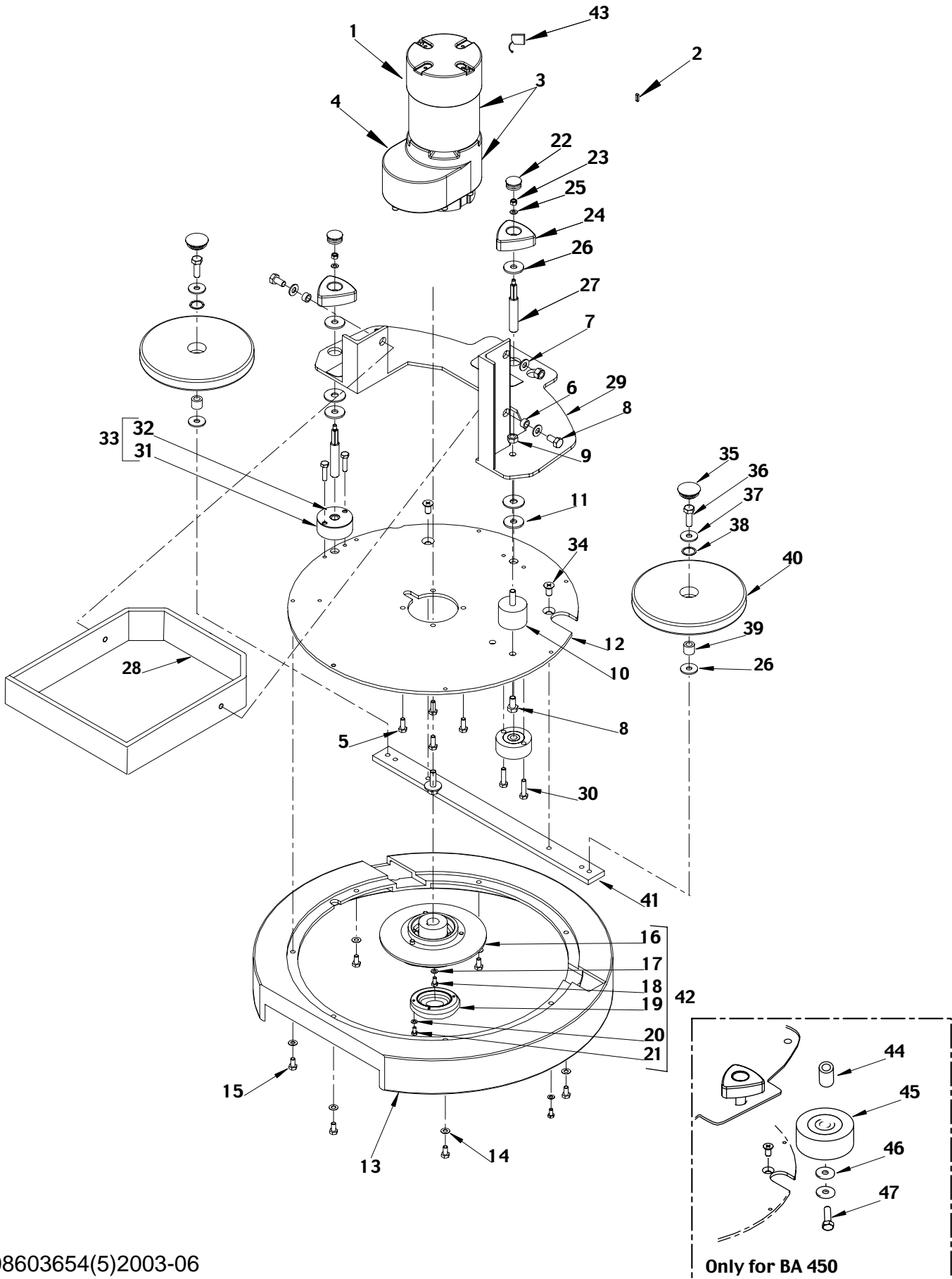


Item no.	Ref. No.	Qty	Descrizione	Description	Beschreibung	Désignation
1#	L08812252	1	Staffa per serbatoio	Tank axle right	Tankachse rechts	Axe du reservoir droite
1	909 5051 000	1	Staffa per serbatoio INOX	Tank axle right SS	Tankachse rechts rostf.Stahl	Axe du res.droite acier inox.
2#	L08326100	4	Vite TE M6x12	Screw Hex Hd M6x12	Schraube	Vis
3#	L08812239	1	Telaio	Chassis	Chassis	Chassis
3	909 5043 000	1	Telaio inox	Chassis INOX	Chassis rostf.Stahl	Chassis acier inox.
4#	L08601000	1	Dado es.autobl.M12	Nut Hex. self lock M12	Mutter	Boulon
5#	L08812486	1	Kit ruota pivoettante	Castor wheel kit	Lenkrolle Satz	Kit roue pivotante
6#	L08812954	1	Ruota pivoettante	Wheel, castor	Rad	Roue
7#	L08812449	1	Distanziale 6x8x29	Spacer	Beilagscheibe	Entretoise
8#	L08812461	1	Kit chiusura serbatoio	Closure tank kit	Verschluß Satz	Fermeture kit
9#	L08603681	1	Vite TCEI M6x80 INOX	Screw socket hd M6x80 SS	Schraube	Vis
10#	L08812246	1	Staffa sx per serbatoio	Tank axle left	Tankachse links	Axe du reservoir gauche
10	909 5050 000	1	Staffa sx per serb. INOX	Tank axle left SS	Tankachse links rostf.Stahl	Axe du res.gauche acier inox.
11#	L08063800	1	Chiave a brugola	Allen Wrench M5	Schlüssel	Cle
12#	L08812388	1	Passacavo	Grommet	Kabelfuehrung	Guide cable
13#	L08812634	1	Guarnizione	Reinforced seal	Dichtung	Joint
14#	L08812661	1	Guarnizione	Seal	Dichtung	Joint
15#	L08602341	2	Vite TE M10x25	Screw hex hd M10x25	Schraube	Vis
16#	L08604251	2	Rondella piana 10x30	Washer flat 10x30	Beilagscheibe	Rondelle
17#	L08603697	2	Routa trazione	Drive wheel w/Hub	Antriebsrad kpl	Roue cpl
17	909 5078 000	2	Routa trazione	Drive wheel BA 610	Antriebsrad kpl BA 610	Roue cpl BA 610
18#	L08326100	4	Vite TE M6x12	Screw Hd. M6x12	Schraube	Vis
19#	L08812234	1	Motoriduttore W200 24V	Drive motor	Fahrmotor	Moteur de propuls.
20#	L08182700	2	Seeger	Retaining ring	Sicherungsring	Clips
21#	L08600842	2	Chiavetta 6x6x35	Feather key 6x6x35	Passfeder	Ressort clavette
22#	L08183900	1	Cuscinetto	Ball bearing	Kugellager	Roulement à billes
23#	L08042600	2	Seeger	Retaining ring	Sicherungsring	Clips
24#	L08812237	1	Porta cuscinetto	Bearing support	Lageraufnahme	Support de roulement
25#	L08812374	2	Seeger	Retaining ring	Sicherungsring	Clips
26#	L08812338	1	Rondella ondulata	Washer	Beilagscheibe	Rondelle
0	145 6140 000	2	Carboncino	Carbon brush	Kohlenbuerste	Charbon
			Senza motore trazione	Without drive motor	Ohne Antriebsmotor	Sans moteur de propuls.
27#	L08812446	2	Vite TSPTC M8x20	Screw M8x20	Schraube	Vis
28#	L08812392	2	Distanziale	Bushing	Abstandstandstueck	Entretoise
29#	L08603696	2	Ruota posteriore	Wheel w/Hub	Rad hinten	Roue
30#	L08812244	2	Mozzo per ruota posteriore	Hub, rear wheel	Nabe	Moyeu
31#	L08600757	4	Vite TE M6x16	Screw hex hd M6x16	Schraube	Vis



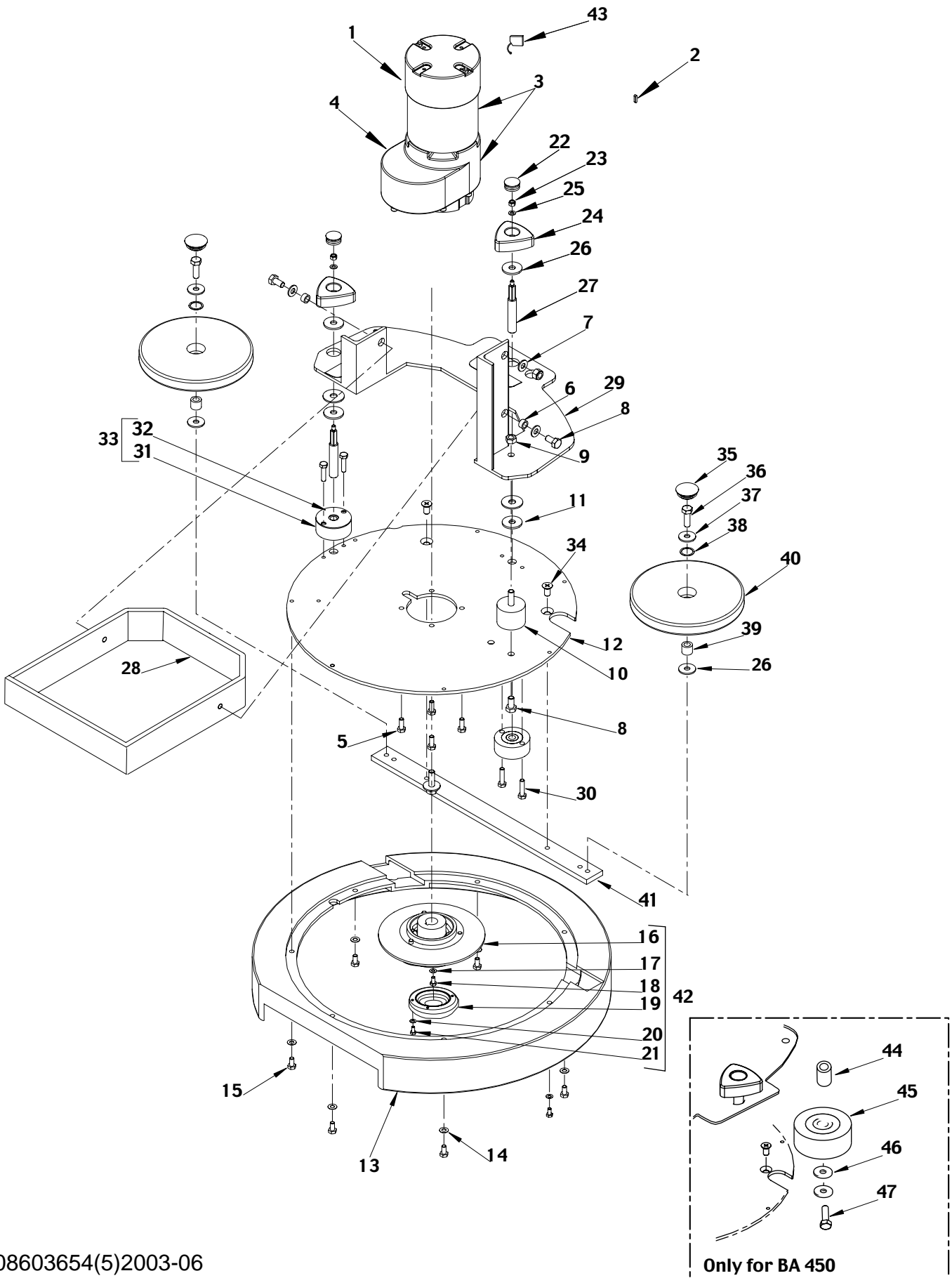
2003-06	GRUPPO SOLLEVAM.PEDALE/ PEDAL LIFTING	BOOK E		
	BA 450/530 - BA 530 Inox - BA 610	E	3.6.1	9

Item no.	Ref. No.	Qty	Descrizione	Description	Beschreibung	Désignation
1#	L08812226	1	Copri pedale	Pedal cover	Fußpedalgummi	Pièce de caoutch.pédal
2#	L08812223	1	Pedale sollevamento sp.	Pedal brush lifting	Pedal Buerstenaufheb.	Pédal
2	909 5046 000	1	Pedale sollevamento sp.INOX	Pedal brush lifting SS	Pedal Buerstenauf. rostf.Stahl	Pédal acier inoxydable
3#	L08812467	1	Kit pedale sollevamento	Pedal lifting assy	Pedal Satz	Pédal kit
4#	L08812324	2	Distanziale	Bushing	Huelse	Douille
5#	L08085700	6	Rondella piana	Washer falt 8x17	Beilagscheibe	Rondelle
6#	L08367300	1	Vite TE M8x25	Screw Hex. Hd. M8x25	Schraube	Vis
7#	L08299500	1	Vite TE M8x30	Screw Hex. Hd. M8x30	Schraube	Vis
8#	L08299800	2	Dado es.autobl.M8	Nut hex M8 self lock	Mutter	Ecrou
9#	L08812361	2	Rondella	Washer	Beilagscheibe	Rondelle
10#	L08812219	1	Leva sollevamento sp.	Lever brush lifting	Hebel	Lever
10	909 5048 000	1	Leva sollevam.sp. INOX	Lever brush lifting SS	Hebel rostfreier Stahl	Lever acier inoxydable

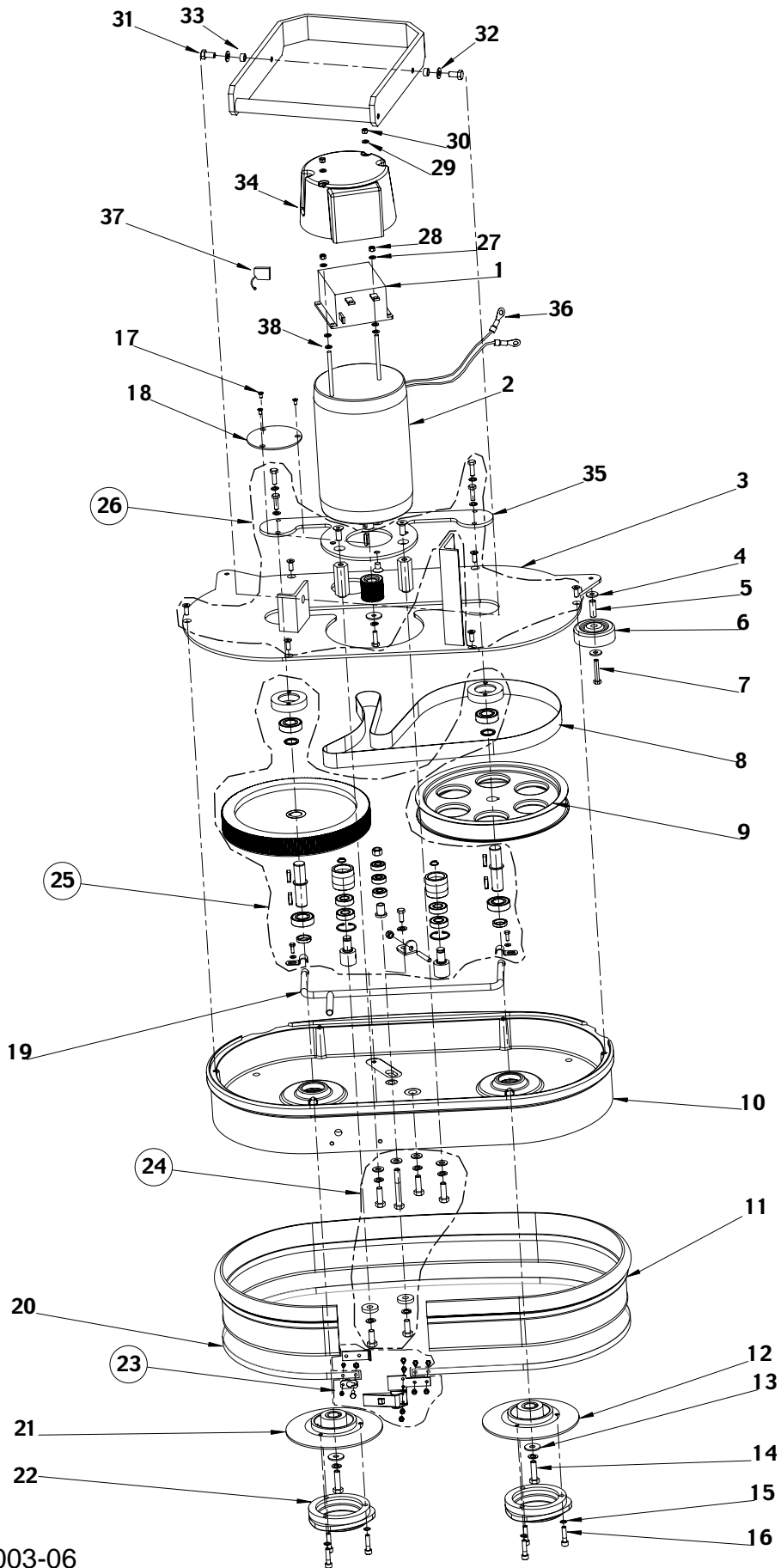


2003-06	GRUPPO SPAZZOLA/ BRUSH DRIVE SYSTEM		BOOK E	
	BA 450/530 - BA 530 Inox		E	3.6.1
				11

Item no.	Ref. No.	Qty	Descrizione	Description	Beschreibung	Désignation
1#	L08603848	1	Motore elettrico W650 24V	Electric motor 650W 24V	Elektr.Motor 650W 24V	Moteur électrique 650W
2#	145 9774 000	1	Chiavetta	Feather key	Passfeder	Goupille
3#	L08812919	1	Motoriduttore W650 24V	Brush motor+gear case cpl	Motor+Getriebe kpl	Motoreducteur cpl
4#	L08603849	1	Riduttore	Reduction gear	Verminderungsgetriebe	Reducteur
5#	L08600757	4	Vite TE M6x16	Screw hex hd M6x16	Schraube	Vis
6#	L08812325	4	Distanziale 8,1x12x6x,5	Sleeve	Huelse	Douille
7#	L08085700	4	Rondella piana	Washer	Beilagscheibe	Rondelle
8#	L08274300	5	Vite TE M8x16	Screw hex hd M8x16	Schraube	Vis
9#	L08084900	1	Dado es. M8	Nut hex M8	Mutter	Ecrou
10#	L08219000	1	Vibration damping M8	Vibration damping	Puffer	Tampon
11#	L08812719	1	Rondella piana 9x28	Washer flat 9x28	Beilagscheibe	Rondelle
12#	L08812205	1	Piastra porta spazzola	Plate brush holder	Grundplatte	Plateau de base
12	909 5044 000	1	Piastra porta sp.INOX	Plate brush holder SS	Grundplatte rostfreierStahl	Plateau de base acier inoxyd.
14#	L08228600	7	Rondella piana 6x18	Washer flat 6x18	Beilagscheibe	Rondelle
15#	L08326100	7	Vite TEM6x12	Screw hex hd M6x12	Schraube	Vis
16#	L08812306	1	Mozzo motoriduttore	Hub reduction gear motor	Polygonflasch	Bride polyg.
17	145 9171 000	1	Rondella piana 8x32	Washer flat 8x32	Beilagscheibe	Rondelle
18#	L08299500	1	Vite TE M8x30	Screw hex hd M8x30	Schraube	Vis
19#	L08812480	1	Mozzo spazzola	Brush hub	Polygonaufnahme	Support polygonal
20#	L08353300	3	Rondella M6	Washer M6	Beilagscheibe	Rondelle
21	909 5056 000	3	Vite TCEI M6x20 INOX	Screw soc self lock M6x20 SS	Schraube	Vis
22#	L08812426	2	Tappo per volantino	Cap for knob	Verschlußstopfen	Boulon
23#	L08600138	2	Dado M5	Nut hex M5	Mutter	Ecrou
24#	L08812203	2	Volantino per piastra spaz.	Knob	Dreikantgriff	Poignée
25#	L08812719	4	Rondella piana 9x28	Washer flat 5x10	Beilagscheibe	Rondelle
26#	L08812718	2	Rondella in gomma	Washer rubber	Beilagscheibe	Rondelle
27#	L08812706	2	Perno fissag. piastra sp.	Pin brush pl.fix.	Verstellschraube	Vis
27	909 5091 000	2	Perno fissag. piastra sp.INOX	Pin brush pl.fix. SS	Verstellschr.rostfreier Stahl	Vis acier inoxydable
28#	L08812218	1	Telaio sollevamento spazzola	Frame, brush lifting	Rahmen	Cadre
29#	L08812221	1	Piastra porta spazzola	Plate,brush holder	Platte	Plateau
29	909 5047 000	1	Piastra porta sp.INOX	Plate,brush holder SS	Platte rostfreierStahl	Plateau acier inoxydable
30#	L08232600	2	Vite TE M6x25	Screw hex hd M6x25	Schraube	Vis
31#	L08812213	2	Distanziale per piastra sp.	Buffer	Puffer	Silent bloc
32#	L08812779	1	Piastrina per antivibrante	Vibration damping plate	Schwingungsdamp. Lasche	Plaquette
33#	L08812780	1	Kit fissaggio piastra	Brush fixing plate assy.	Zusatz Bueste fix.Lasche	Kit fix.plaque de brosse
42#	L08812589	1	Kit supporto poligonale	Holderpolyg.w/flage kit	Polygonhalter Satz	Kit support polygonal
43#	L08603850	1	Kit carboncini	Carbon brushes kit	Kohlenbuersten Satz	Charbon kit
			SOLO PER BA 530	ONLY FOR BA 530	NUR FUER BA 530	SEULEMENT POUR 530
13#	L08812206	1	Protezione spazzola	Brush cover	Buerstenabdeckung	Couvercle brosse
34#	L08812399	2	Vite TSPTC M8x12	Screw counterunk hd	Schraube	Vis
35#	L08812999	2	Tappo per rullo paracolpi	Cap, bumper roller	Stopfen	Boulon
36#	L08367300	2	Vite TE M8x25	Screw hex hd M8x25 SS	Schraube rostfreierStah	Vis
37#	L08300000	2	Rondella piana 8x24	Washer flat 8x24	Beilagscheibe	Rondelle
38#	L08163400	2	Rondella ondulata	Spring washer	Beilagscheibe	Rondelle
39#	L08812384	2	Distanziale	Bushing	Huelse	Douille
39	909 5086 000	2	Distanziale SS	Bushing SS	Huelse rostfreierStahl	Douille acier inoxydable
40#	L08812204	2	Rullo paracolpi	Bumper roller	Abweisrolle	Roue pivotant
41#	L08812506	1	Bandella piastra spaz.	Fitting strip	Leiste	Longeron
41	909 5049 000	1	Bandella piastra spaz.INOX	Fitting strip SS	Leiste rostfreierStahl	Longeron acier inoxydable
0#	L08837018	1	Kit disco trascinatore	Pad holder kit	Treibteller Satz	Disques d'entraînement kit

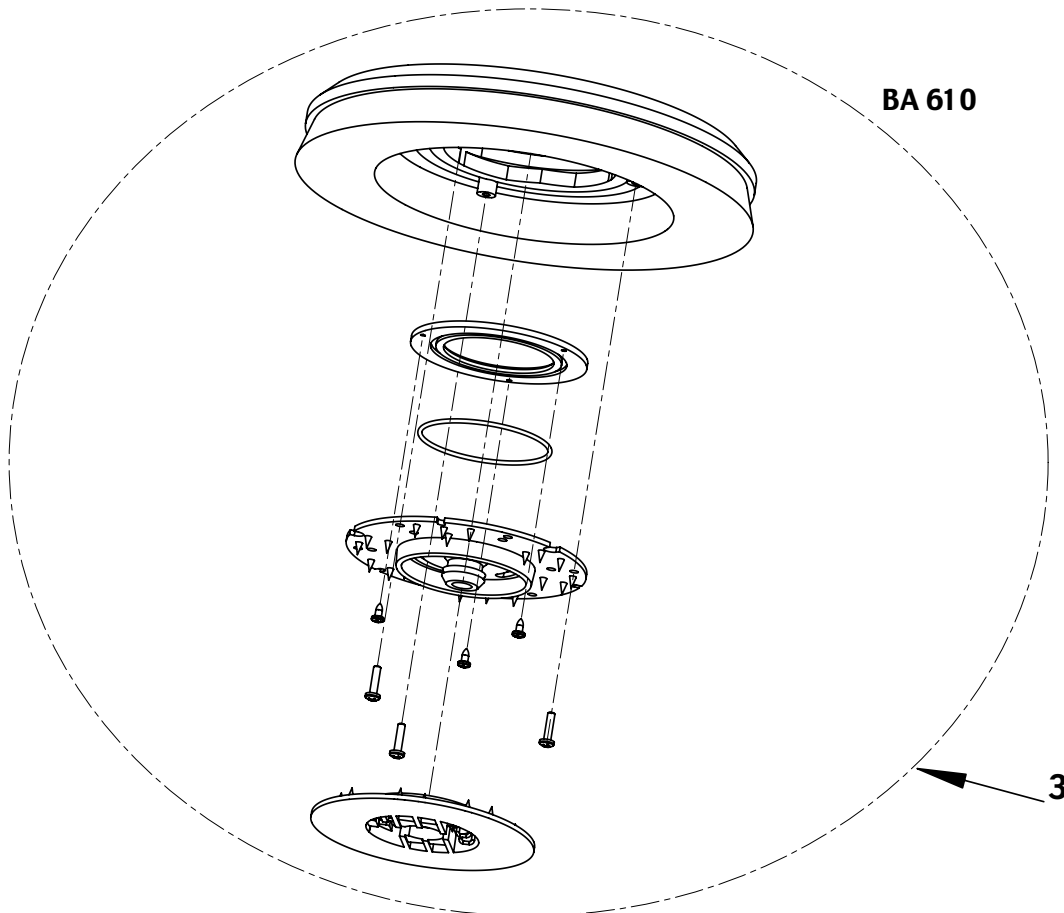
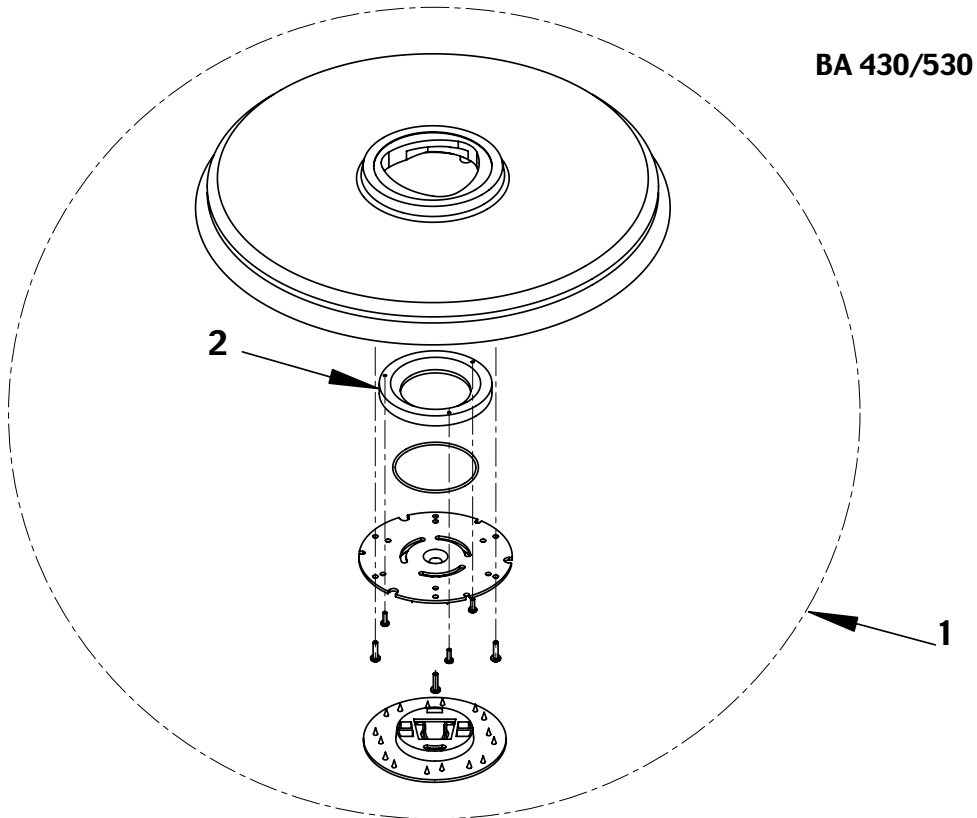


Item no.	Ref. No.	Qty	Descrizione	Description	Beschreibung	Désignation
			SOLO PER BA 450	ONLY FOR BA 450	NUR FUER BA450	SEULEMENT POUR 450
13#	L08812207	1	Protezione spazzole	Brush cover BA 450	Buerstenabdeckung	Couvercle brosse
34#	L08812399	2	Vite TSPTC M8x12	Screw counterunk hd	Schraube	Vis
35#	L08812999	1	Tappo per rullo paracolpi	Plug	Stopfen	Boulon
36#	L08367300	1	Vite TE M8x25	Screw hex hd M8x25 SS	Schraube	Vis
37#	L08300000	1	Rondella piana	Washer flat 8x24	Beilagscheibe	Rondelle
38#	L08163400	1	Rondella ondulata	Spring washer	Beilagscheibe	Rondelle
39#	L08812384	1	Distanziale	Bushing	Huelse	Douille
40#	L08812204	1	Rullo paracolpi	Bumper roller	Abweisrolle	Roue pivotante
41#	L08812505	1	Bandella per piastra	Fitting strip BA 450	Leiste	Longeron
44#	L08602461	1	Distanziale	Bushing	Buchse	Douille
45#	L08602460	1	Ruota paracolpi	Bumper roller	Abweisrollen	Roue pivotante
46#	L08228600	2	Rondella piana	Washer flat 6x18	Beilagscheibe	Rondelle
47#	L08812504	1	Vite TE M6x35	Screw hex hd M6x35	Schraube	Vis
0#	L08837017	1	Kit disco trascinatore	Pad holder kit	Treibteller Satz	Disques d'entrainement kit



2003-06	GRUPPO SPAZZOLA/ BRUSH DRIVE SYSTEM	BOOK E		
	BA 610	E	3.6.1	15

Item no.	Ref. No.	Qty	Descrizione	Description	Beschreibung	Désignation
1	909 5016 000	1	Scheda elettronica	Electronic card	Platine	Carte electronique
2#	L08603820	1	Motore elettrico 650W	Brush motor 24V	Elektrische motor	Moteur electrique
3#	L08603810	1	Coperchio testata	Cover, brush deck	Buerstenabdeckung	Couvercle
4	145 9229 000	4	Rondella piana	Washer flat 6,6x18	Beilagscheibe	Rondelle
5#	L08602461	2	Distanziale	Bushing	Buchse	Entretoise
6#	L08602460	2	Ruota paracolpi	Bumper roller	Abweisrolle	Roue
7	145 9232 000	2	Vite TE M6x35	Screw hex hd M6x25	Schraube	Vis
8#	L08603821	1	Cinghia	Belt	Riemen	Joint
9#	L08603811	1	Puleggia liscia	Pulley	Scheibe	Poulie
10#	L08603809	1	Testata spazzola	Brush deck 24"	Grundplatte	Plateau de base
11#	L08603837	1	Paraspruzzi	Splash guard	Schutzsprizgummi	Bavette guard boue
12#	L08812306	1	Mozzo motoriduttore	Hub	Nabe	Moyeu
13#	L08300000	2	Rondella piana	Washer flat	Beilagscheibe	Rondelle
14	145 9281 000	2	Vite TE M8x30	Screw hex hd M8x30	Schraube	Vis
15#	L08353300	6	Rondella zigrinata M6	Washer M6	Beilagscheibe	Rondelle
16	909 5056 000	6	Vite TCEI M6x20 INOX	Screw self lock M6x20 SS	Schraube	Vis
17#	L08603976	3	Vite TSPTC M4x8 INOX	Screw M4x8 SS	Schraube	Vis
18#	L08603904	1	Chiusura coperchio test	Closure	Grundplatteverschluss	Fermeture
19#	L08603815	1	Tube in rame	Copper hose	Schlauch	Tuyau
20#	L08603826	1	Sostegno paraspruzzi	Splash guard holder	Schutzsprizgummi Halter	Support
21#	L08603822	1	Mozzo motoriduttore sx	Hub left	Nabe links	Moyeu
22#	L08812480	2	Mozzo spazzola	Hub	BuerstenNabe	Moyeu
23#	L08603979	1	Kit fissaggio paraspr.	Kit splash guard fixing	Schutzsprizg.Fixier.Satz	Kit fixation bavette guard
24#	L08603980	1	Kit viti testata spazzola	Kit hardware bush deck	Schrauben Grundpl.Satz.	Kit vis plateau de base
25#	L08603981	1	Kit fissaggio pulegge	Kit pulleys fixing	Scheiben Fixierung Satz	Kit fixation poulies
26#	L08603982	1	Kit viti mot.spazzola	Kit hardware brush motor	Schrauben Buerstenmot.Satz	Kit vis moteur du brosse
27	145 9154 000	2	Dado es.M6	Nut hex M6	Mutter	Ecrou
28	145 9134 000	2	Dado es.M5	Nut hex M5	Mutter	Ecrou
29	145 9133 000	6	Rondella piana	Washer flat	Beilagscheibe	Rondelle
30#	L08603704	2	Dado basso autobl.M5	Nut hex self lock M5	Mutter	Ecrou
31#	L08274300	2	Vite TE M8x16	Screw hex M8x16	Schraube	Vis
32#	L08085700	2	Rondella piana	Washer flat	Beilagscheibe	Rondelle
33#	L08812325	2	Distanziale	Bushing	Huelse	Entretoise
34	909 5020 000	1	Coperchio scheda elet.	Cover electr. card	Platine Deckel	Couvercle
35#	L08603823	1	Flangia motore el.	Flange motor	Motor Flansch	Flasque
36	146 0725 000	2	Terminale occhio	Terminal	Endklemme	Borne
37#	L08603949	1	Kit spazzole (4pz)	Kit charbon brushes(4 pcs)	Kohlenbuersten Satz(4 Stk)	Kit charbons (4 pieces)
0#	L08603939	1	Kit disco trascinatore	Pad holder kit	Treibteller Satz	Disques d'entrainement kit



2003-06

DISCHI TRASCINATORI/ PAD HOLDER ASSEMBLIES

BOOK E

BA 450/530 - BA 530 Inox - BA 610

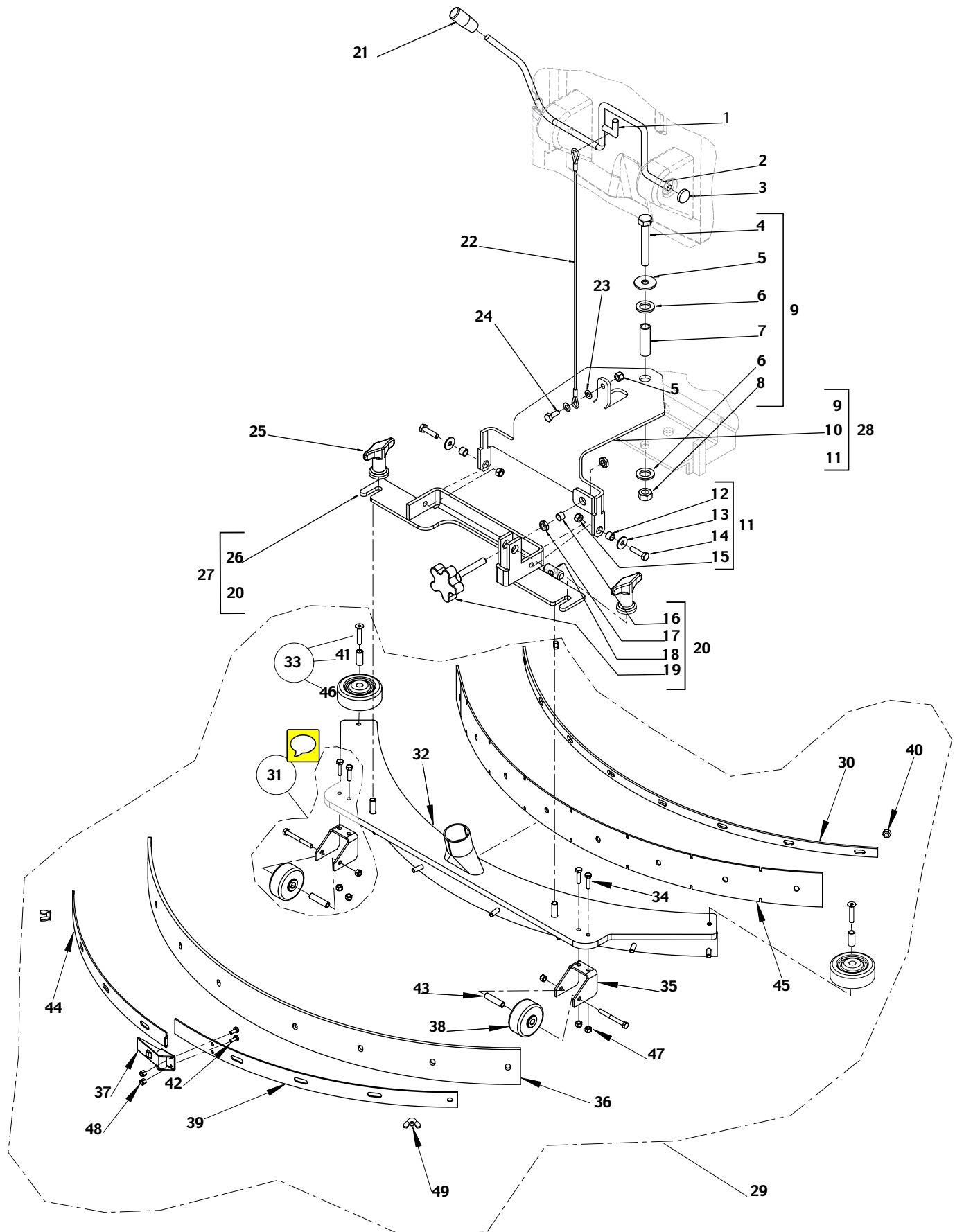
E

3.6.1

17

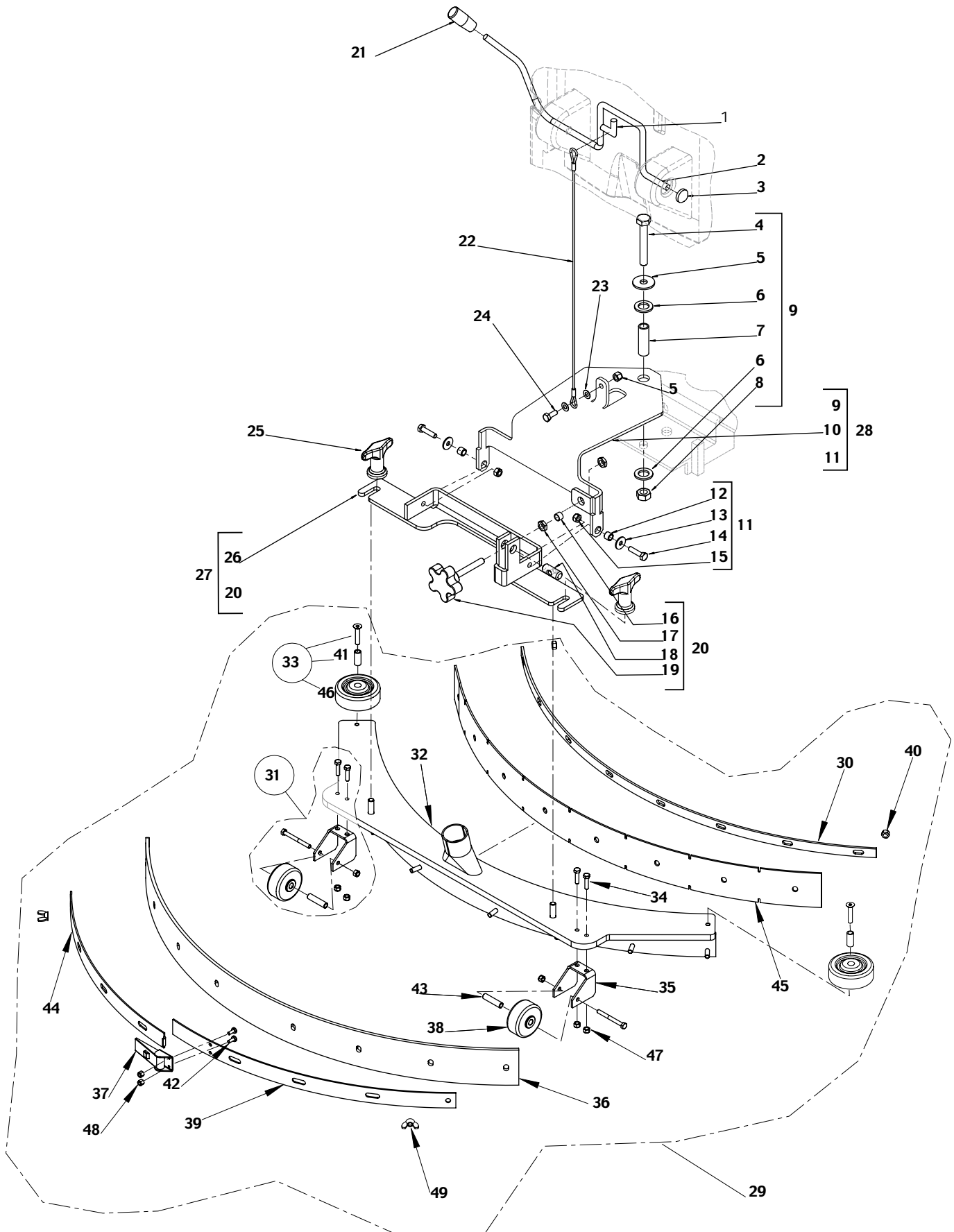
Item no.	Ref. No.	Qty	Descrizione	Description	Beschreibung	Désignation
1*#	L08837017	1	Kit disco trascinatore 450	Pad holder kit 450	Treibteller Satz 450	Disques d'entrainem.450 kit
1*#	L08837018	1	Kit disco trascinatore 530	Pad holder kit 530	Treibteller Satz 530	Disques d'entrainem.530 kit
2#	L08603966	1	Anello nylon	Ring nylon	Ring nylon	Aneau nylon
3*#	L08603939	1	Kit disco trascinatore 610	Pad holder kit 610	Treibteller Satz 610	Disques d'entrainem.610 kit

08603654(5)2003-06



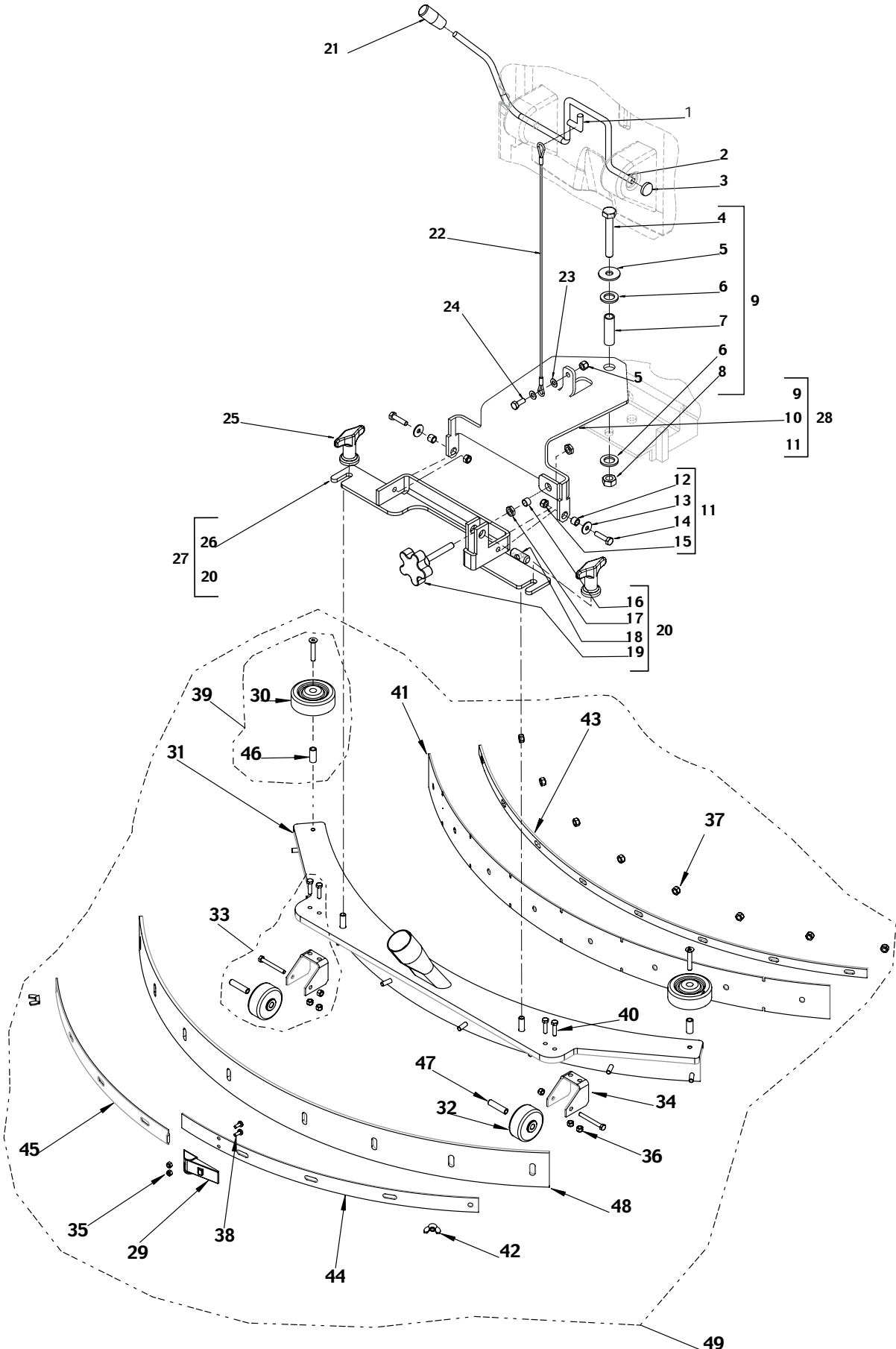
2003-06	GRUPPO TERGITORE / SQUEEGEE SYSTEM		BOOK E	
	BA 450/530 - BA 530 Inox		E	3.6.1
				19

Item no.	Ref. No.	Qty	Descrizione	Description	Beschreibung	Désignation
1#	L08603935	1	Tappo	Plug	Pfropfen	Bouchon
2#	L08812230	1	Leva alza tergitore	Lever squeegee lift	Hebel	Lever
3#	L08812356	1	Copri perno	Pin cover	Stift Deckung	Couvre axe
4#	L08602211	1	Vite TE M10x70	Screw	Schraube	Vis
4	909 5089 000	1	Vite TE M10x70 INOX	Screw hex hd M0x70 SS	Schraube	Vis
5#	L08604251	1	Rondella piana 10x30	Washer	Beilagscheibe	Rondelle
6#	L08238300	2	Rondella piana 15X25	Washer	Beilagscheibe	Rondelle
7#	L08812391	1	Distanziale	Spacer	Abstandstueck	Entretoise
7	909 5085 000	1	Distanziale INOX	Spacer SS	Abstandst.rostfreier Stahl	Entretoise acier inoxydable
8#	L08081200	1	Dado	Nut	Mutter	Ecrou
9#	L08812516	1	Kit fissaggio	Fixture kit	Befestigung Satz	Kit fermeture
10#	L08603655	1	Piastra sup.tergitore	Squeegee sup.plate	Platte	Plaque
10	909 5045 000	1	Piastra sup.tergitore INOX	Squeegee sup.plate SS	Platte rostfreier Stahl	Plaque acier inoxydable
11#	L08812521	1	Kit fissaggio tergitore	Fixture/nozzle holder left/right	Saugfußfixierung Satz	Kit support droite/gauche
12#	L08601854	2	Distanziale	Spacer	Abstandstueck	Entretoise
13#	L08228600	2	Rondella piana	Washer	Beilagscheibe	Rondelle
14#	L08232600	2	Vite TE M6x25	Screw	Schraube	Vis
15#	L08361400	2	Dado es.basso autobl.	Nut	Mutter	Ecrou
16#	L08602422	1	Distanziale	Spacer	Abstandstueck	Entretoise
17#	L08600317	2	Dado es. basso	Nut	Mutter	Ecrou
18#	L08601509	1	Perno	Pin	Stift	Axe
19#	L08601574	1	Volantino	Knob	Handrad	Ecrou a papillon
20#	L08812518	1	Kit viti di regolazione	Screw adjusting kit	Regulierung Schraub.Satz	Kit vis regulation
21#	L08812349	1	Terminale	Knob	Ballgriff	Manche
22#	L08812362	1	Cavo alza tergitore	Cable squeegee lift	Zugseil	Cable
23#	L08228600	2	Rondella piana	Washer	Beilagscheibe	Rondelle
24#	L08603680	1	Vite TE M6x20	Screw hex hd	Schraube	Vis
25#	L08603675	2	Volantino	Thumb nut	Fluegelmutter	Ecrou a papillon
26#	L08812228	1	Supporto tergitore	Squeegee holder	Saugduesenhalter	Support d'embouchure
26	909 5052 000	1	Supporto tergitore INOX	Squeegee holder SS	Saugduesenhalt.rostfr.Stahl	Support d'emb.acier inoxyd.
27#	L08812519	1	Kit supporto tergitore	Nozzle holder set	Duesentraeger Set	Kit support d'embouchure
28#	L08603657	1	Kit supporto tergitore	Linkage arm kit	Schwenkarm Satz	Kit support d'embouchure
29#	L08603878	1	Kit squeegee completo	Kit squeegee cpl	Saugduesen kpl Satz	Kit embouchure complete
30#	L08603672	1	Bandella anteriore	Blade fixer strap	Metalleiste	Longeron
30	909 5062 000	1	Bandella anteriore INOX	Blade fixer strap SS	Metalleiste rostfreier Stahl	Longeron acier inoxyd.
31#	L08603879	1	Kit ruota tergitore	Kit squeegee wheel	Zusatz Saugduesenrad	Kit roue
32#	L08603676	1	Corpo tergitore	Squeegee weldment	Saugduesen kpl	Corps embouchure
32	909 5063 000	1	Corpo tergitore INOX	Squeegee weldment SS	Saugduesen kpl rostfr.Stahl	Corps embouchure acier inox..
33#	L08603880	1	Kit ruota paracolpi	Kit squeegee bump.roll.	Zusatzabweisrolle	Kit deflecteur
34#	L08603687	1	Vite TE M5x20 INOX	Screw hex hd M5x20 SS	Schraube	Vis
35#	L08603666	2	Supporto ruota tergitore	Bracket squ.wheel	Saugradhalter	Support roue embouchure
35	909 5059 000	2	Supporto ruota tergitore INOX	Bracket squ.wheel SS	Saugradhalter rostfr.Stahl	Support roue emb.acier inoxyd.
36#	L08602468	1	Gomma tergitore	Squeegee blade rear	Sauglippe hinten	Bavette embouchure arrier
37#	L08603664	1	Gancio per tergitore	Latch for squeegee	Verriegelung	Verrouillage
38#	L08603665	2	Ruota tergitore	Rubber wheel	Rad	Roue
39#	L08603669	1	Bandella post.	Rear strap for hook	Metalleiste	Longeron
39	909 5060 000	1	Bandella post.INOX	Rear strap for hook SS	Metalleiste rostfreier Stahl	Longeron acier inoxyd.
40#	L08603682	8	Dado es.basso M6 INOX	Nut hex selflock M6 SS	Mutter	Ecrou



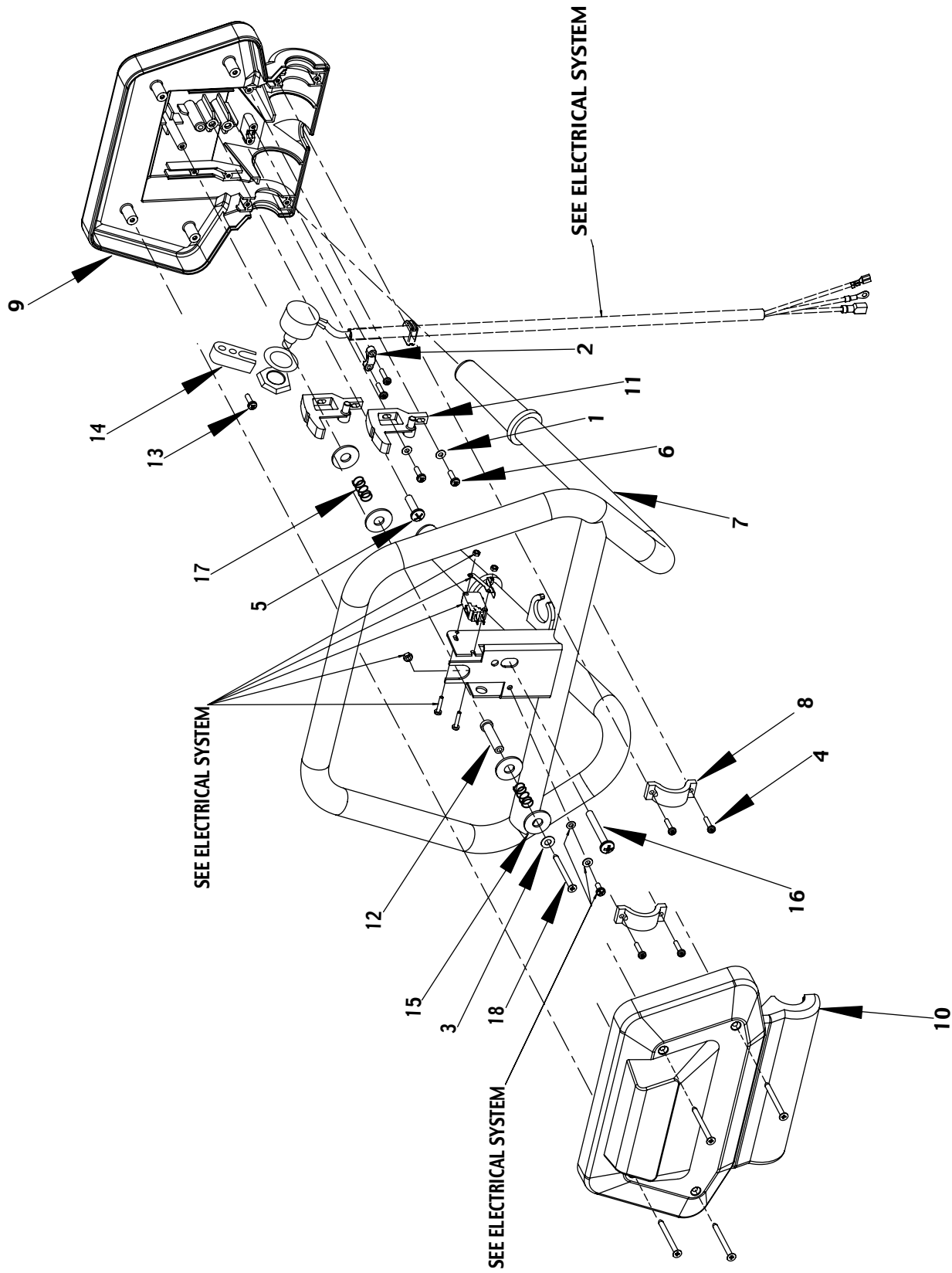
2003-06	GRUPPO TERGITORE / SQUEEGEE SYSTEM		BOOK E		
	BA 450/530 - BA 530 Inox		E	3.6.1	21

Item no.	Ref. No.	Qty	Descrizione	Description	Beschreibung	Désignation
41#	L08812937	2	Distanziale	Spacer	Abstandstueck	Entretoise
41	909 5058 000	2	Distanziale INOX	Spacer SS	Abstandstueck rostfr.Stahl	Entretoise acier inoxyd.
42#	L08603684	2	Vite TCTC M4x10 INOX	Screw pan phil M4x10 SS	Schraube rostfr.Stahl	Vis acier inoxydable
43#	L08812948	2	Distanziale	Spacer,squeegee wheel	Abstandstueck	Entretoise
43	909 5057 000	2	Distanziale ruota terg.INOX	Spacer SS	Abstandstueck rostfr.Stahl	Entretoise acier inoxyd.
44#	L08603670	1	Bandella flap post.sx	Rear strap for hook	Metalleiste	Longeron
44	909 5061 000	1	Bandella flap post.sx INOX	Rear strap for hook SS	Metalleiste rostfreier Stahl	Longeron acier inoxyd.
45#	L08602463	1	Gomma terg.anteriore	Squeegee blade front	Sauglippe vorne	Bavette embouchure avant
46#	L08602460	2	Routa paracolpi	Bumper roller	Abweisrolle	Deflecteur
47#	L08603688	6	Dado es.autobl.M5 INOX	Nut hex self lock M5 SS	Mutter rostfreier Stahl	Ecrou acier inoxydable
48#	L08603685	2	Dado es.autobl.M4 INOX	Nut hex self lock M4 SS	Mutter rostfreier Stahl	Ecrou acier inoxydable
49	145 0461 000	2	Galletto di fissaggio	Wing nut	Fluegelmutter	Ecrou a papillon
0*#	L08603923	1	Kit routa paracolpi	Roller bumper opt kit	Abweisrolle zubeh.Satz	Kit deflecteur opt
0*#	L08837060	1	Kit supporto tergitore	Support straight sq.kit	Saugduesenhalt.ger Satz	Kit supportembouch.droite
0*#	L08837041	1	Kit gomme antiolio	Blades oil resistant kit	Sauglippen oelschutz Satz	Kit bavette hydrocarbure
0*#	L08812403	1	Kit gomme std terg dritto	Wear pack:straight sq. blades sol.filter prefilter	Abnutzung Pack.gerade Sauglip., Filter, Pre - filter	Wear pack:emb.droite, bavette,filtre de sol.,filtre
0*#	L08812404	1	Kit gomme std terg	Wear pack:std squeegee blades sol.filter prefilter	Abnutzung Pack Sauglip.Filter, Pre - filter	Wear pack:embouchure, bavette,filtre de sol.,filtre
0*#	L08812405	1	Kit gomme antiolio terg	Wear pack:oil res. squee. blades sol.filter prefilter	Abnutzung Pack:oelschutz Sauglip., Filter, Pre - filter	Wear pack:emb.,bavette hydrocar.,filtre de sol.,filtre



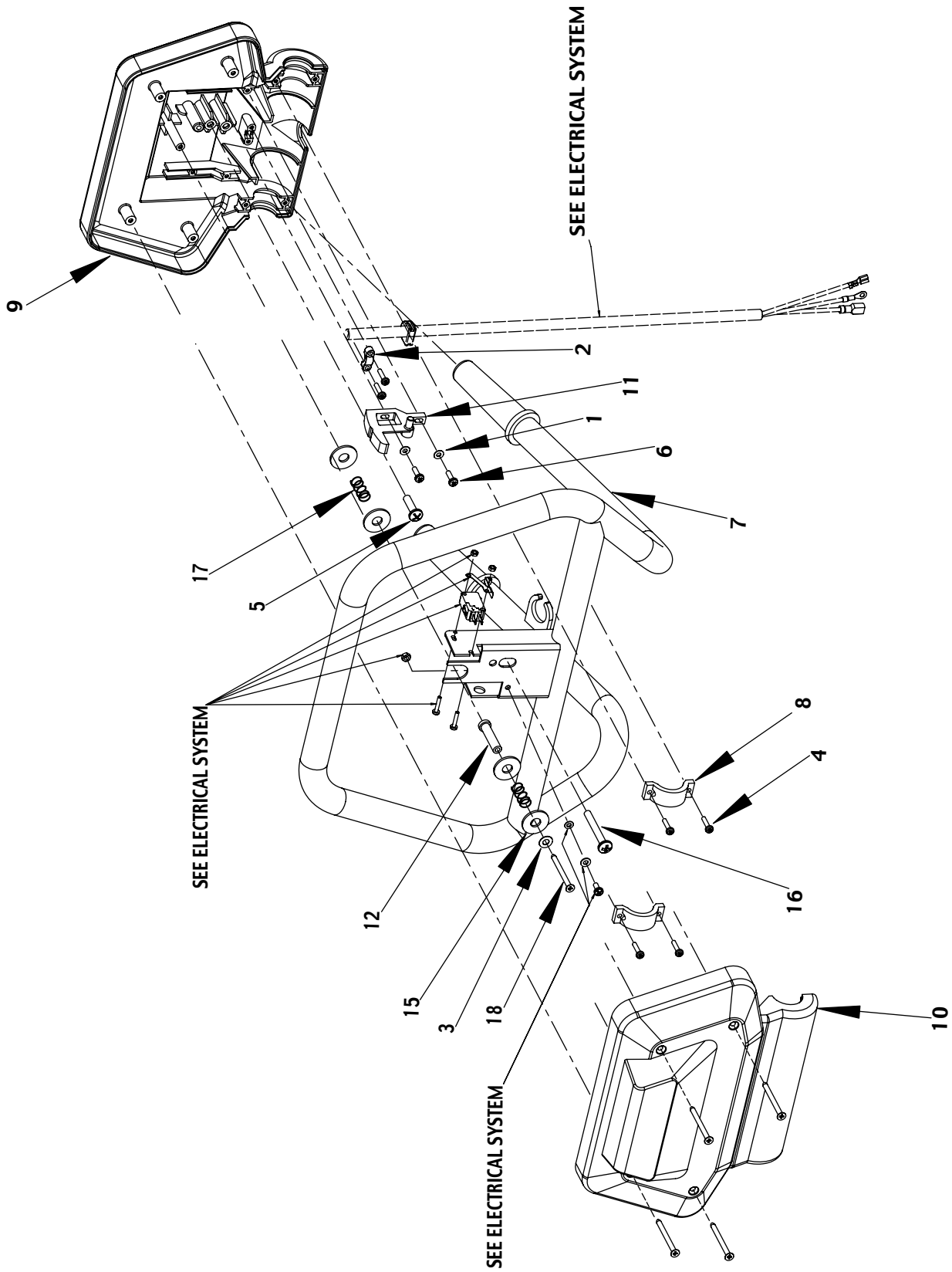
2003-06	GRUPPO TERGITORE / SQUEEGEE SYSTEM		BOOK E		
	BA 610		E	3.6.1	23

Item no.	Ref. No.	Qty	Descrizione	Description	Beschreibung	Désignation
1#	L08603935	1	Tappo	Plug	Pfropfen	Bouchon
2#	L08812230	1	Leva alza tergitore	Lever squeegee lift	Hebel	Lever
3#	L08812356	1	Copri perno	Pin cover	Stift Deckung	Couvre axe
4#	L08602211	1	Vite TE M10x70	Screw	Schraube	Vis
5#	L08604251	1	Rondella piana 10x30	Washer	Beilagscheibe	Rondelle
6#	L08238300	2	Rondella piana 15X25	Washer	Beilagscheibe	Rondelle
7#	L08812391	1	Distanziale	Spacer	Abstandstueck	Entretoise
8#	L08082100	1	Boccola	Knob	Buechse	Bague
9#	L08812516	1	Kit fissaggio	Fixture kit	Befestigung Satz	Kit fermeture
10#	L08603655	1	Piastra supporto tergitore	Squeegee support plate	Platte	Plaque
11#	L08812521	1	Kit fissaggio tergitore	Fixture/nozzle holder left/right	Saugfußfixierung Satz	Kit support droite/gauche
12#	L08601854	2	Distanziale	Spacer	Abstandstueck	Entretoise
13#	L08228600	2	Rondella piana	Washer	Beilagscheibe	Rondelle
14#	L08232600	2	Vite TE M6x25	Screw	Schraube	Vis
15#	L08361400	2	Dado es.basso autobl.	Nut	Mutter	Ecrou
16#	L08602422	1	Distanziale	Spacer	Abstandstueck	Entretoise
17#	L08600317	2	Dado es. basso	Nut	Mutter	Ecrou
18#	L08601509	1	Perno	Pin	Stift	Axe
19#	L08601574	1	Volantino	Knob	Handrad	Ecrou a papillon
20#	L08812518	1	Kit viti di regolazione	Screw adjusting kit	Regulierung Schraub.Satz	Kit vis regulation
21#	L08812349	1	Terminale	Knob	Ballgriff	Manche
22#	L08812362	1	Cavo alza tergitore	Cable squeegee lift	Zugseil	Cable
23#	L08228600	2	Rondella piana	Washer	Beilagscheibe	Rondelle
24#	L08603680	1	Vite TE M6x20	Screw hex hd	Schraube	Vis
25#	L08603675	2	Volantino	Thumb nut	Fluegelmutter	Ecrou a papillon
26#	L08812228	1	Supporto tergitore	Squeegee holder	Saugduesenhalter	Support d'embouchure
27#	L08812519	1	Kit supporto tergitore	Nozzle holder set	Duesentraeger Set	Kit support d'embouchure
28#	L08603657	1	Kit supporto tergitore	Linkage arm kit	Schwenkarm Satz	Kit support d'embouchure
29#	L08603664	1	Gancio per tergitore	Latch for squeegee	Haken	Crochet
30#	L08602460	2	Ruota paracolpi	Bumper roller	Abweisrolle	Deflecteur
31#	L08603828	1	Corpo tergitore	Weldment, squeegee tool	Saugduesenkoerper	Corps embouchure
32#	L08603665	2	Ruota tergitore	Squeegee wheel	Saugduesenrad	Roue embouchure
33#	L08603879	1	Kit ruota tergitore	Kit squeegee wheel	Saugduesenrad Satz	Kit roue embouchure
34#	L08603666	2	Supporto ruota tergitore	Support squeegee wheel	Saugduesenrad Halter	Support roue embouchure
35#	L08603685	2	Dado autobl.M4 inox	Nut self loc M4 SS	Mutter	Ecrou
36#	L08603688	6	Dado autobl.M5 inox	Nut self loc M5 SS	Mutter	Ecrou
37#	L08603682	8	Dado autobl.M6 inox	Nut self loc M6 SS	Mutter	Ecrou
38#	L08603684	2	Vite TCTC M4x10 inox	Screw M4x10 SS	Schraube	Vis
39#	L08603880	1	Kit ruota paracolpi	Kit squeegee bumper roller	Abweisrolle Satz	Kit deflecteur
40#	L08603687	4	Vite TE M5x20 inox	Screw hex hd M5x20 SS	Schraube	Vis
41#	L08603830	1	Gomma tergitore anteriore	Squeegee blade front	Sauglippe vorne	Bavette embouchure avant
42	145 0461 000	2	Galletto di fissaggio	Wing nut	Fluegelmutter	Ecrou a papillon
43#	L08603831	1	Bandella gomma ant.	Strap front	Leiste vorne	Longeron avant
44#	L08603834	1	Bandella gomma post.dx	Right rear strap	Leiste hinten rechts	Longeron arriere droite
45#	L08603833	1	Bandella gomma post.sx	Left rear strap	Leiste hinten links	Longeron arriere gauche
46#	L08812937	2	Distanziale	Spacer	Abstandstueck	Entretoise
47#	L08812948	2	Distanziale	Spacer	Abstandstueck	Entretoise
48#	L08603832	2	Gomma tergitoreposteriore	Squeegee blade rear	Sauglippe hinten	Bavette embouchure arriere
49	909 5005 000	1	Kit tergitore compl.	Kit squeegee complete	Saugduesen kpl Satz	Kit embouchure complete
0*#	L08603973	1	Kit gomme antiolio	Blades oil resistant kit	Sauglippen oelschutz Satz	Kit bavette hydrocarbure
0*	909 5004 000	1	Kit gomme antiolio	Wear pack:oil res. squeeeg. blades,sol.filter, pre-filter	Abnutzung Pack:oelschutz Sauglip., Filter, Pre - filter	Wear pack:emb.,bavette hydrocar.,filtre de sol.,filtre
0*	909 5006 000	1	Kit gomme std	Wear pack:std squ. blades, sol.filter, pre-filter	Abnutzung Pack Sauglip.Filter, Pre - filter	Wear pack:embouchure, bavette,filtre de sol.,filtre



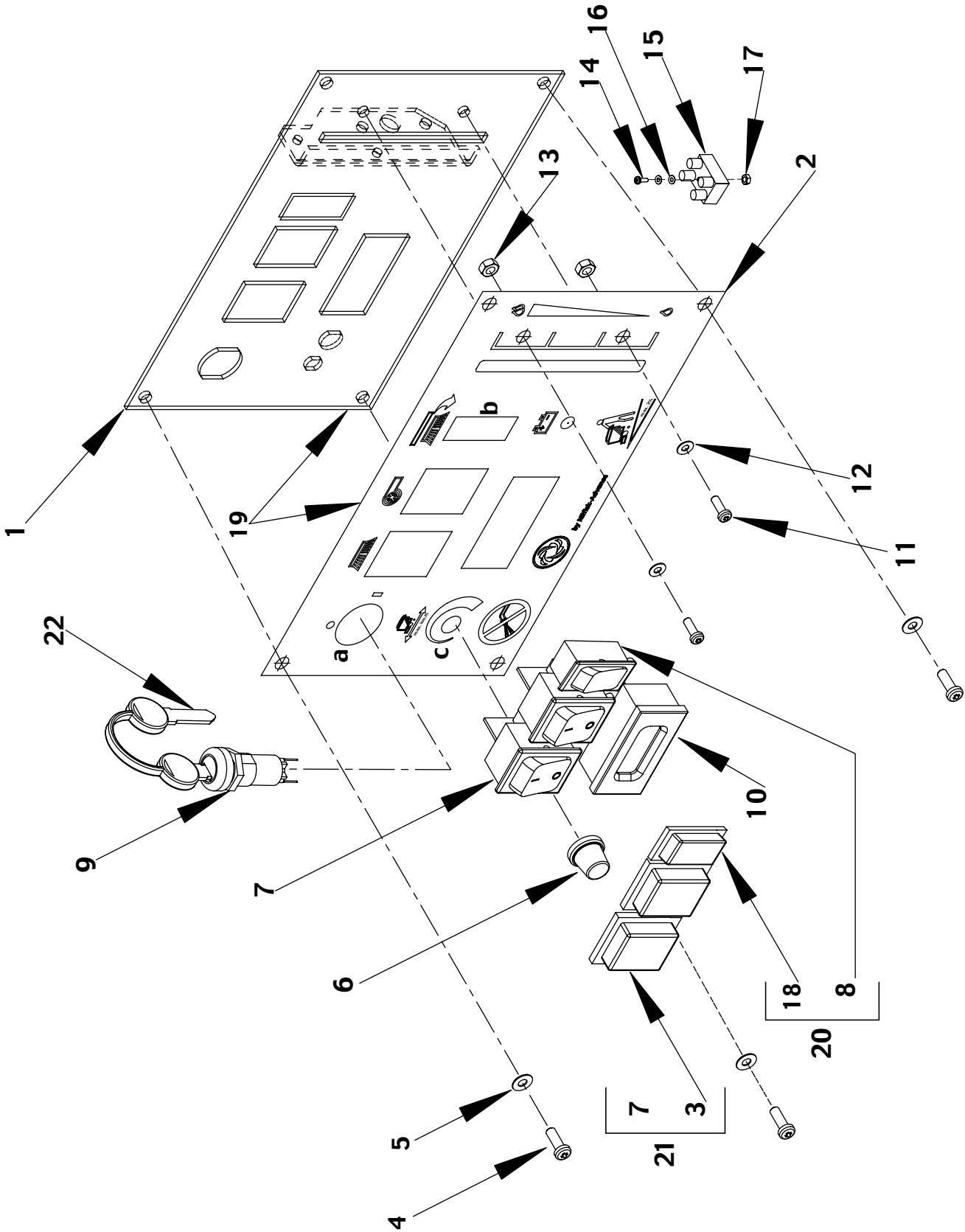
2003-06	GRUPPO MANIGLIONE /SWITCH HOUSING	BOOK E		
	BA 450/530 - BA 530 Inox- BA 610	E	3.6.1	25

Item no.	Ref. No.	Qty	Descrizione	Description	Beschreibung	Désignation
1#	L08200800	4	Rondella piana inox	Washer flat 4x9x0,8 SS	Beilagscheibe rostfr.Stahl	Rondelle acier inoxydable
2#	L08600168	1	Blocchetto fissaggio cavi	Cables fixing block	Kabel Befestigung	Cable fixation
3#	L08602395	1	Rondella piana	Washer flat 6x12,5	Beilagscheibe	Rondelle
4#	L08603192	6	Vite TCTC 3,6x16 autofil.	Screw thd form M3,5x16	Schraube	Vis
5#	L08603377	1	Vite TCTC 6x25 autofil.	Screw thd form M6x25 SS	Schraube	Vis
6#	L08603668	4	Vite TCTC 4x14 autofil.	Screw thd form M4x14 SS	Schraube	Vis
7#	L08812276	1	Maniglione comando	Handle bar	Fuehrungsbuegel	Manche de conduite
8#	L08812279	2	Collare	Clamp	Schelle	Bride
9#	L08812280	1	Coperchio plancia inf.	Switch housing rear	Schaltergehäuse hinten	Boite d'interrupteur ar.
10#	L08812281	1	Coperchio plancia sup.	Switch housing front	Schaltergehäuse vorne	Boite d'interrupteur av.
11#	L08812282	2	Camma microinterruttore	Micro switch cam	Schaltelement	Element d'interrupteur
12#	L08812316	1	Distanziale	Distance sleeve	Abstandstueck	Douille d'écartement
13#	L08604077	1	Vite TCTC M4x10	Screw pan hd phil M4x10	Schraube	Vis
14#	L08812278	1	Biella potenziometro	Linkage potentiometer	Potentiometer Gabel	Fourche de potentiom.
15#	L08812337	4	Rondella piana 9x25 nylon	Washer flat nylon 9x25	Beilagscheibe	Rondelle
16#	L08812341	1	Vite TBTC 6x50 autofil.	Screw 6x50 thd form	Schraube	Vis
17#	L08812343	2	Molla comando trazione	Drive control spring	Druckfeder	Ressort à tension
18#	L08812421	5	Vite TSPTC 4,2x50 autofil.	Screw 4,2x50 thd form	Schraube	Vis



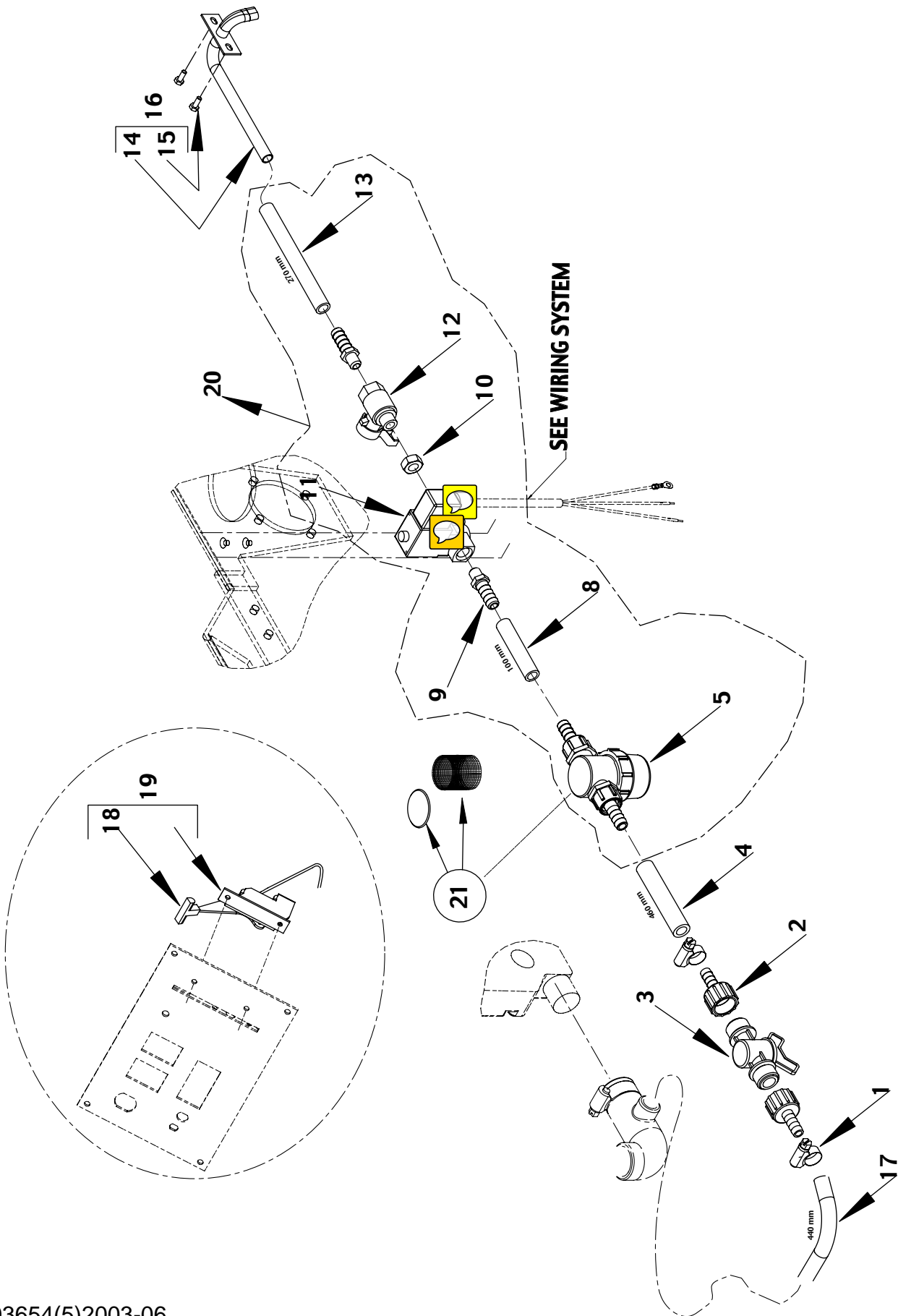
2003-06	GRUPPO MANIGLIONE /SWITCH HOUSING	BOOK E		
	BA 450/ 530 without traction	E	3.6.1	27

Item no.	Ref. No.	Qty	Descrizione	Description	Beschreibung	Désignation
1#	L08200800	4	Rondella piana	Washer flat 4x9x0,8 SS	Beilagscheibe rostfr.Stahl	Rondelle acier inoxydable
2#	L08600168	1	Blocchetto fissaggio cavi	Cables fixing block	Kabel Befestigung	Cable fixage
3#	L08602395	1	Rondella piana	Washer flat 6x12,5	Beilagscheibe	Rondelle
4#	L08603192	1	Vite TCTC 3,6x16 autof.	Screw thd form M3,5x16	Schraube	Vis
5#	L08603377	1	Vite TCTC 6x25 autof.	Screw thd form M6x25 SS	Schraube	Vis
6#	L08603668	2	Vite TCTC 4x14 autof.	Screw thd form M4x14 SS	Schraube	Vis
7#	L08812276	1	Maniglione comando	Handle bar	Fuehrungsbugel	Manche de conduite
8#	L08812279	2	Collare per maniglione	Clamp	Schelle	Bride
9#	L08812280	1	Coperchio plancia inferiore	Switch housing rear	Schaltergehäuse hinten	Boite d'interrupteur ar.
10#	L08812281	1	Coperchio plancia superiore	Switch housing front	Schaltergehäuse vorne	Boite d'interrupteur av.
11#	L08812282	1	Camma per microinterruttore	Micro switch cam	Schaltelement	Element d'interrupteur
12#	L08812316	1	Distanziale	Distance sleeve	Abstandstueck	Douille d'écartement
15#	L08812337	4	Rondella piana	Washer flat nylon 9x25	Beilagscheibe	Rondelle
16#	L08812341	1	Vite TBTC 6x50 autof.	Screw 6x50 thd form	Schraube	Vis
17#	L08812343	2	Molla comando trazione	Drive control spring	Druckfeder	Ressort à tension
18#	L08812421	5	Vite TSPTC 4,2x50 autof.	Screw 4,2x50 thd form	Schraube	Vis



2003-06	PANNELLO DI CONTROLLO/ CONTROL PANEL ASSY	BOOK E		
	BA 450/530 - BA 530 Inox - BA 610	E	3.6.1	29

Item no.	Ref. No.	Qty	Descrizione	Description	Beschreibung	Désignation
1#	L08812288	1	Plancia	Control panel	Armaturenbrett	Panel de controle
2#	L08812359	1	Serigrafia plancia	Decal contr.panel w/traction	Schilder Armaturenbrett	Serigraphie tableau du bord
3#	L08603193	2	Contenitore interruttore	Plastic bucket w/seal,prot.cap	Schalterschutz mit Haube	Protection interrupteur
4#	L08812804	4	Vite TCTC M4x10	Screw cyl hd 4x12 thd form	Schraube	Vis
5#	L08200800	4	Rondella piana 4x9 inox	Washer flat 4x9 SS	Beilagscheibe	Rondelle
6#	L08602062	1	Manopola potenziometro	Knob BA450/530 w/trac.,610	Drehknopf	Bouton
7#	L08603151	2	Interruttore	Switch	Schalter	Interrupteur
8#	L08603944	1	Pulsante	Switch click off only for BA610	Knopf	Bouton poussoir
9#	L08812604	1	Interruttore a chiave	Key switch BA450/530 w/trac.,610	Schlueßelschaltet kpl	Interrupteur clé cpl
10#	L08812350	1	Contaore	Hour meter	Stundenzaehler	Compteur horaire
11#	L08604077	2	Vite TCTC M4x10	Screw cyl hd M4x10	Schraube	Vis
12#	145 9144 000	2	Rondella piana	Washer flat 4x9	Beilagscheibe	Rondelle
13#	L08053500	2	Dado es. M4	Nut hex M4	Mutter	Ecrou
14#	L08603705	1	Vite TCTC M3x25	Screw pan hd M3x25	Schraube	Vis
15#	L08812062	1	Morsettiera 2 elementi	Luster terminal	Klemmkasten	Etau
16#	L08102800	2	Rondella	Washer lock	Beilagscheibe	Rondelle
17#	L08048300	1	Dado	Nut hex M3	Mutter	Ecrou
18#	L08603945	1	Cappuccio con cornice	Plastic bucket w/seal,protec.	Haube	Bouchon
19#	L08812522	1	Kit serigrafia plancia	Switch panel w/decal	Schaltplatte mit Folie	Tableau du bord av.serigrap.
20#	L08603950	1	Kit pulsante con cappuccio	Kit switch w/ protection cap	Schalter mit Haube Satz	Interrupteur av.protection
21#	L08812562	1	Kit interruttore	Kit switch w/ protection cap	Schalter mit Haube Satz	Interrupteur av.protection
22	909 5100 000	1	Chiave di accensione (1pz)	Key (1 pc)	Schlueßel (1 Stk)	Clé (1 piece)

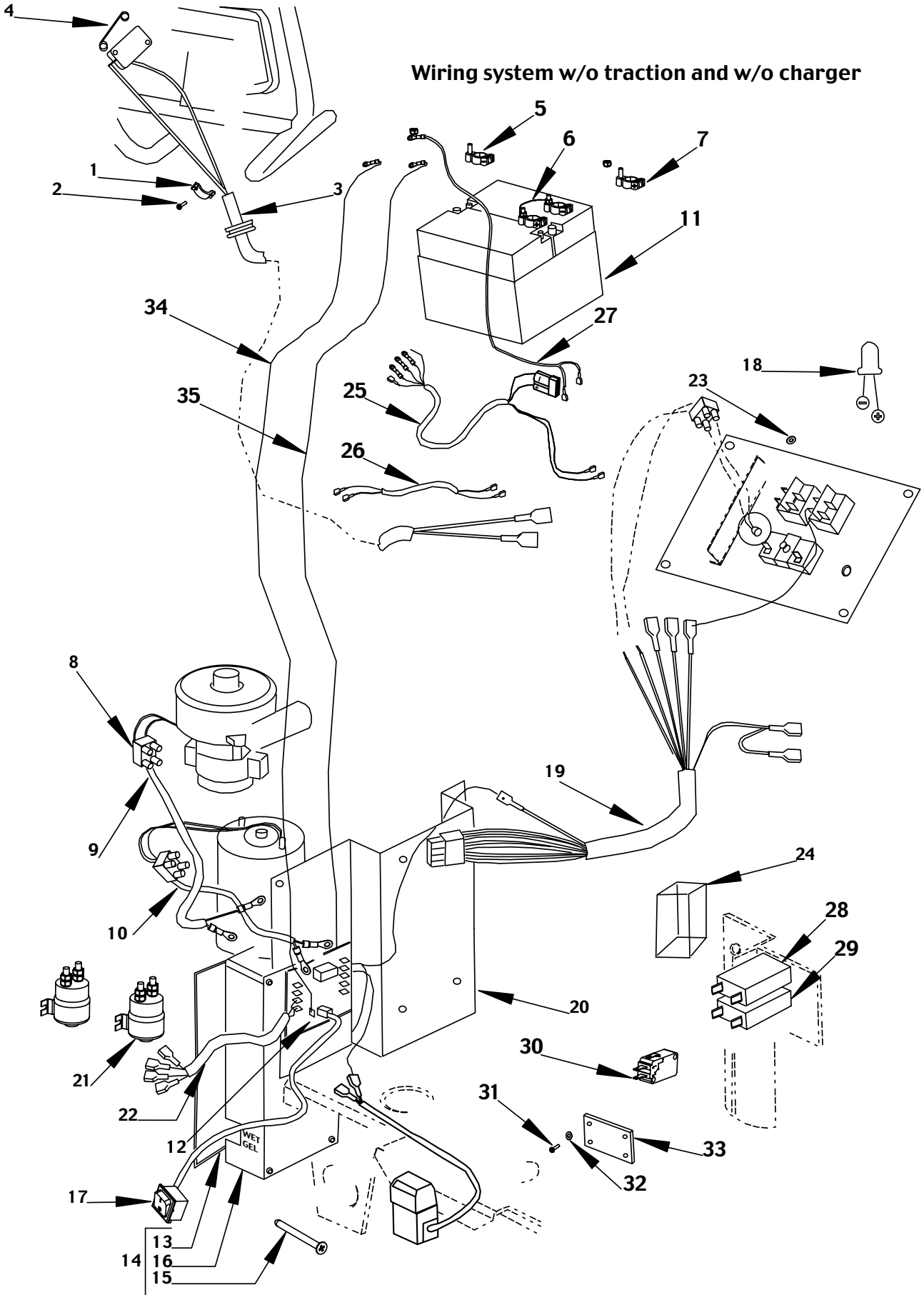


2003-06	GRUPPO ELETTROVALVOLA/ SOLUTION SYSTEM	BOOK E		
	BA 450/530 - BA 530 Inox - BA 610	E	3.6.1	31

Item no.	Ref. No.	Qty	Descrizione	Description	Beschreibung	Désignation
1	145 8582 000	2	Fascetta	Clamp	Schelle	Bride
2	909 5022 000	2	Portagomma	Rubber holder	Gummi Halter	Support tuyau
3	909 5023 000	1	Rubinetto	Valve	Kugelhahn	Robinet
4	909 5028 000	1	Tubo spiralato 460 mm	Hose 460 mm	Schlauch	Tuyau
5	909 5151 000	1	Kit filtro completo	Filter kit cpl	Filter Satz kpl	Kit filtre cpl
8	909 5026 000	1	Tubo spiralato 100 mm	Hose 100 mm	Schlauch	Tuyau
9#	L08601624	2	Portagomma	Rubber holder	Gummi Halter	Support tuyau
10#	L08812257	1	Dado	Nut	Mutter	Ecrou
11#	L08812269	1	Elettrovalvola 24V	Solenoid valve 24V	Elektroventil	Electrovanne
12#	L08812427	1	Rubinetto	Ball valve	Kugelhahn	Robinet
13#	L08603854	1	Tubo spiralato 270 mm	Hose 270 mm	Schlauch	Tuyau
14#	L08812326	1	Tubo in rame	Copper tube	Schlauch	Tuyau
15	146 0632 000	2	Vite TE M4x8	Screw	Schraube	Vis
16#	L08812490	1	Kit tubo con supporto	Copper hose w/support kit	Schlauch mit Halter Satz	Tuyau avec support kit
17	909 5027 000	1	Tubo spiralato 440 mm	Hose 440 mm	Schlauch	Tuyau
18#	L08603790	1	Maniglia per leva acqua	Handle	Griff	Poignée
19#	L08603791	1	Kit leva regolazione acqua	Lever w/cable kit	Wasserreg.Hebel Satz	Lever avec cable kit
20#	L08812484	1	Kit elettrovalvola (a)	Solenoid valve kit cpl	Magnetventil Satz	Vanne magnétique kit
20	909 5035 000	1	Kit elettrovalvola (b)	Solenoid valve kit cpl	Magnetventil Satz	Vanne magnétique kit
21#	L08603893	1	Kit rete filtro	Kit net filter w/gasket	Zusatz Filter mit Dichtung	Kit filtre avec joint

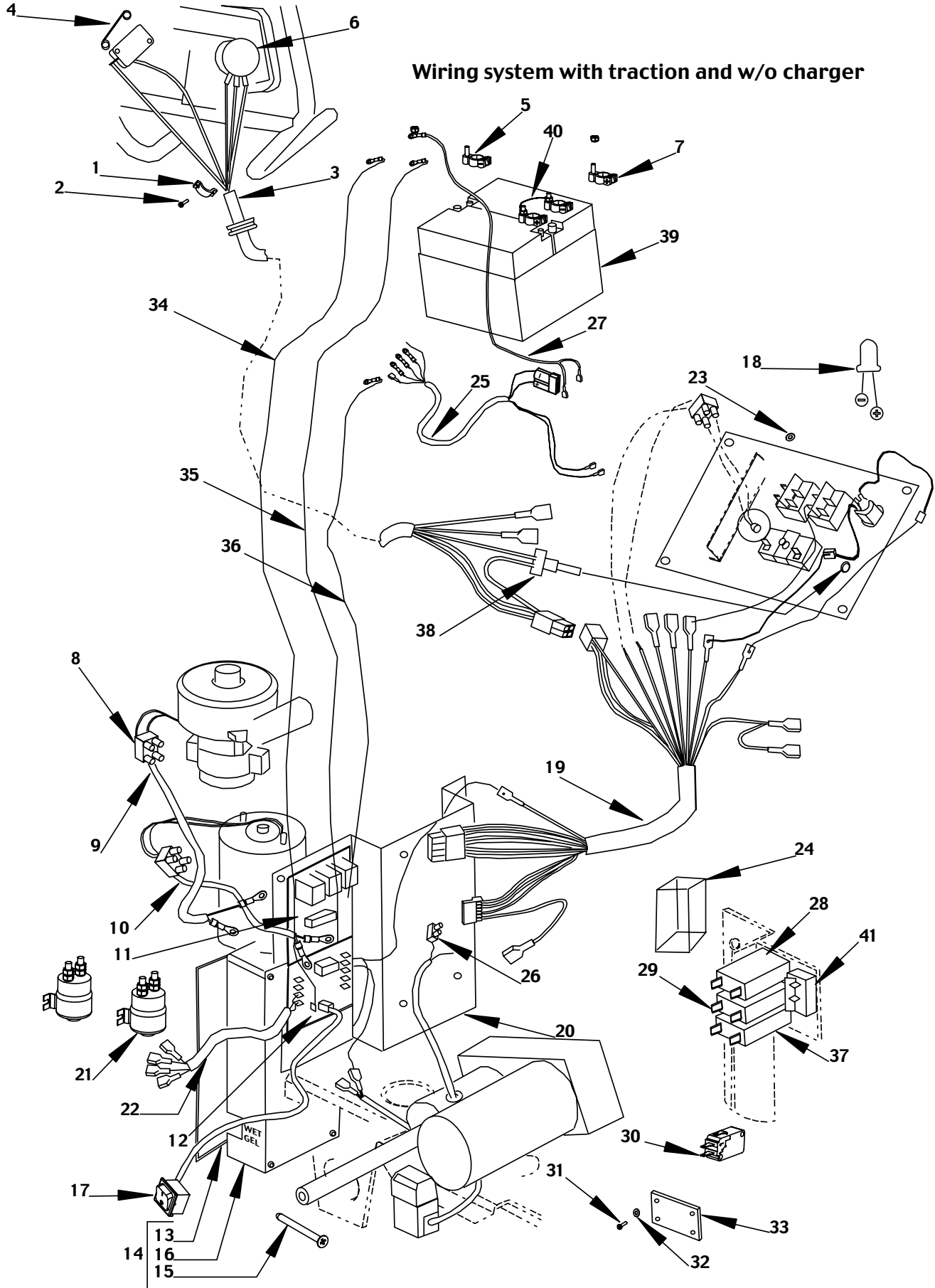
a) before serial number 032105258 **b)** starting from serial number 032105258 **TSB IT 2003-010**

Wiring system w/o traction and w/o charger



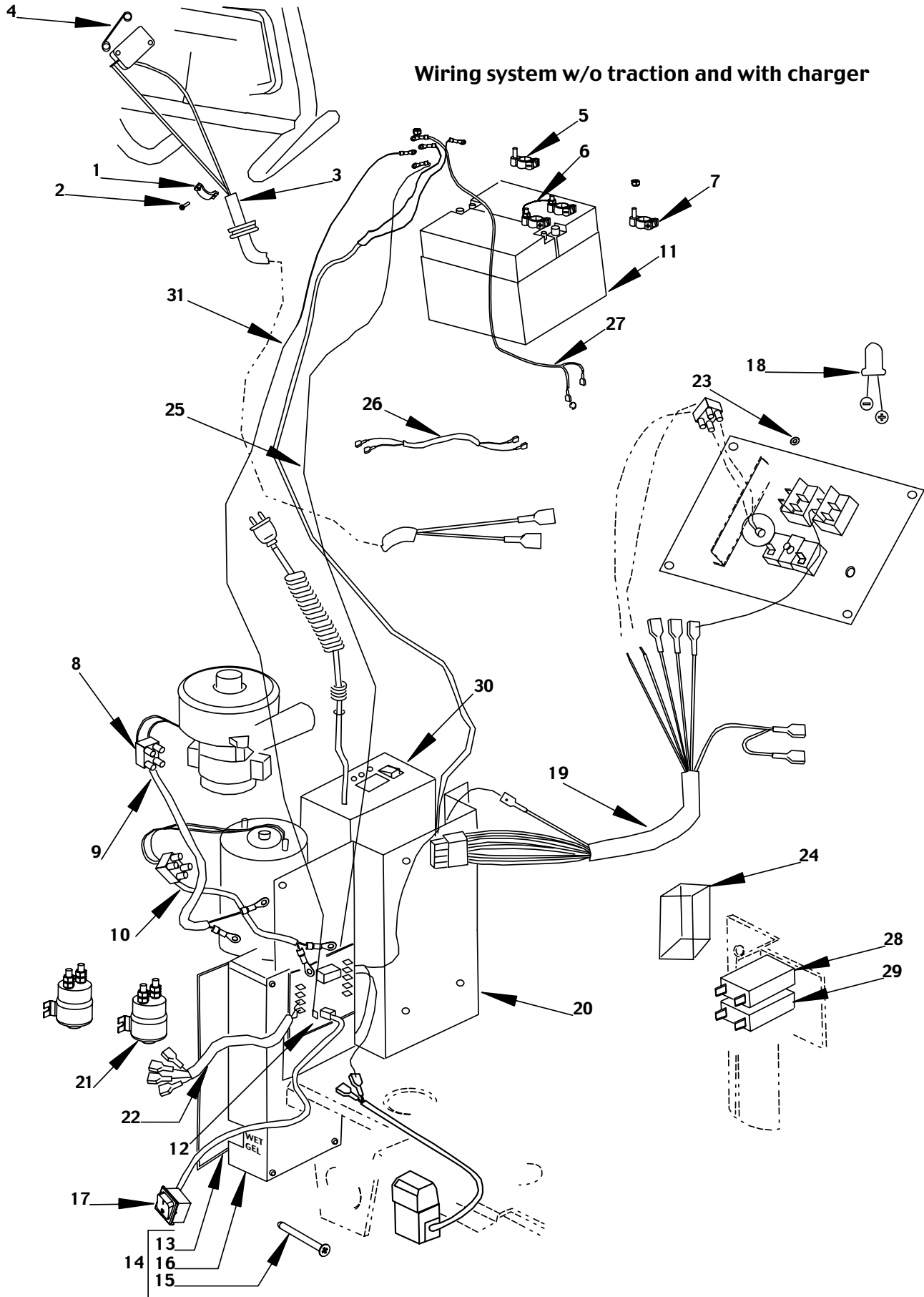
Item no.	Ref. No.	Qty	Descrizione	Description	Beschreibung	Désignation
1#	L08600168	1	Blocchetto fissaggio cavi	Cable fixing block	Schelle	Bride
2#	L08603192	2	Vite TCTC 3,6x16 autofil.	Screw cyl hd thd form 3,6x16	Schraube	Vis
3#	L08812445	1	Cavo plancia/microint.	Harness	Kabel	Cable
4#	L08812377	1	Contatto per microinter.	Contact for micro	Kontakt Hebel	Lever
5#	L08812064	2	Morsetto negativo	Battery clamp -	Klemme -	Conecteur batterie -
6#	L08812060	1	Cavo ponte batterie	Lead cable	Leitung	Cable de connection
7#	L08812063	2	Morsetto positivo	Battery clamp +	Klemme +	Conecteur batterie +
8#	L08187300	3	Morsettiera due elementi	Connection	Klemmeliste	Domino
9#	L08812397	1	Cablaggio mot.asp/ sch.el	Cable vacuum mot./elect. card	Kabel,Turbine/Platine	Cablage,turbine
10#	L08603710	1	Cablaggio mot.sp/ sch.el.	Cable brush motor	Kabel,Buerstenmot/Plat	Cablage,moteur du brosse
11#	L08812758	1	Contenitore batterie	Battery container	Batteriebehaelter	Caisse de batterie
12#	L08812814	1	Scheda elettronica	Electronic card release 3	Platine	Carte electronique
13#	L08812354	1	Guarnizione cop. scheda	Gasket	Dichtung	Joint
14#	L08812625	1	Kit copertura con viti	Kit closure electronic card	Zusatz Deckung m/Schraube	Kit de couverture avec vis
15#	L08812444	4	Vite TCTC M4x70	Screw cyl hd 4x70	Schraube	Vis
16#	L08812284	1	Coperchio scheda eletr.	Cover	Abdeckung	Couvercle
17#	L08812574	1	Cavo per coperchio sch.	Cable jumper	Kabel	Cable
18#	L08812061	1	Led rosso	Led red	Diode	Diode
19#	L08812386	1	Cablaggio macchina	Machine harness	Maschinen Kabel	Cablage
20#	L08812289	1	Supporto scheda eletr.	Support for el. card	Halter f.Elektronik	Support carte electronique
21	145 0300 000	2	Teleruttore 24V	Electromagnetic switch	Schalter	Telerupteur
22#	L08603716	1	Cablaggio bobina/ sch.el.	Harness coil/card	Litzenset	Cablage
23#	L08812801	1	Distanziale	Spacer	Abstandstueck	Entretoise
24#	L08812577	1	Coperchio per fusibili	Cover	Sicherungshaube	Fusible couvercle
25#	L08812407	1	Cablaggio batteria/microint	Harness battery/micro	Kabel mit Batteriestecker	Cablage
26#	L08603713	1	Cablaggio fusibili/ sch. el.	Cable	Kabel Sicherungen/Platine	Cablage
27#	L08812394	1	Cablaggio fusibili/ batt.	Security wire	Kabel Sicherungen/Batt.	Cablage
28#	L08812389	1	Fusibile 25A	Fuse 25A	Sicherung 25A	Fusible 25A
29#	08603727	1	Fusibile 30A	Fuse 30A	Sicherung 30A	Fusible 30A
30#	L08812294	1	Microinterruttore 10A 250V	Microswitch 10A	Schalter kpl	Interupteur cpl
31#	L08093600	4	Vite TCCI M3x16	Screw cyl hd 3x16	Schraube	Vis
32#	L08336500	4	Rondella piana	Washer flat	Beilagscheibe	Rondelle
33#	L08812575	1	Piastra per microint.	Plate for micro	Lasche fuer Microschalter	Plaque p.microinterrupteur
34#	L08812401	1	Cavo elettrico rosso	Red strand	Litze rot	Cable rouge
35#	L08812402	1	Cavo elettrico nero	Black strand	Litze schwarz	Cable noir

Wiring system with traction and w/o charger



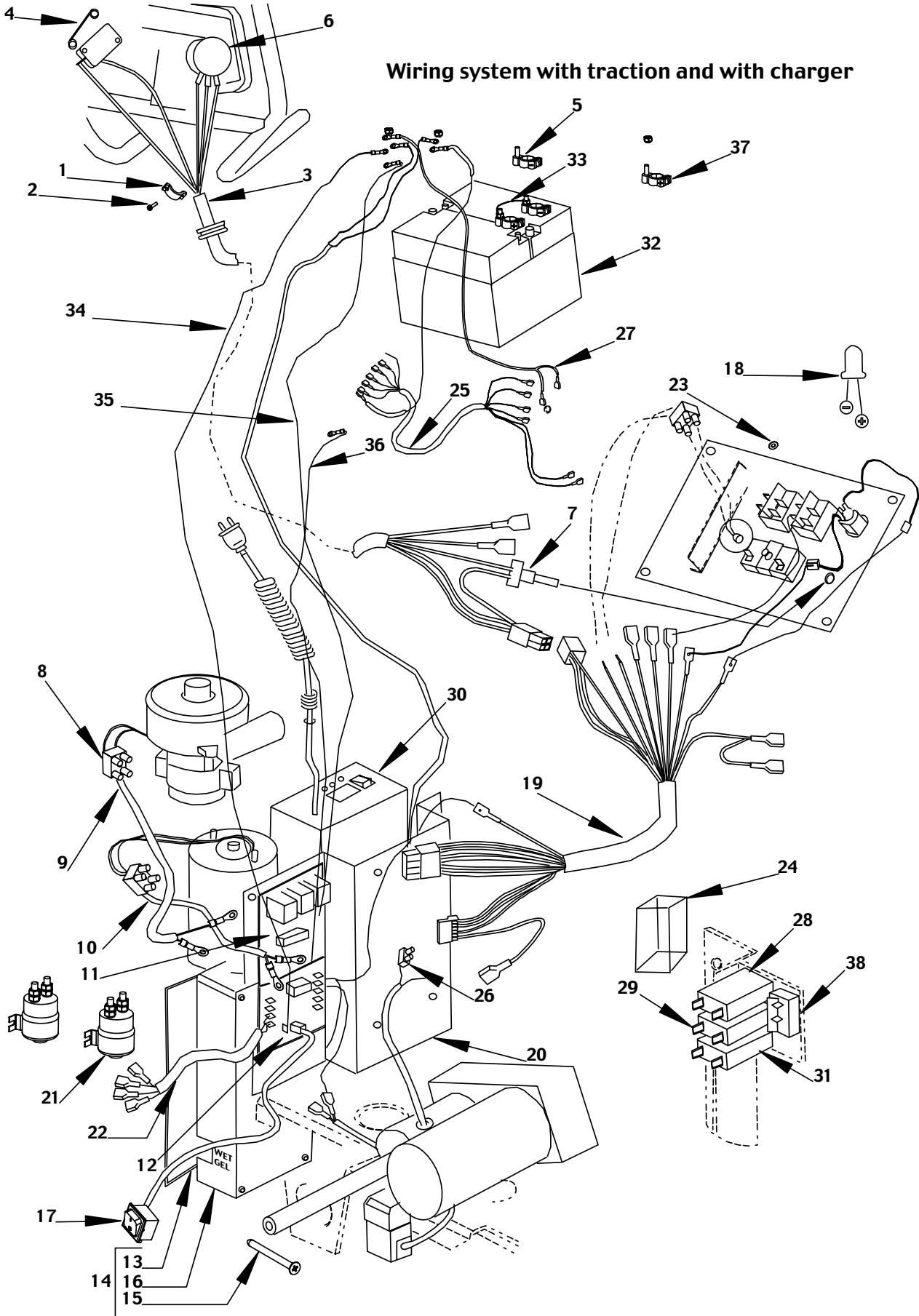
Item no.	Ref. No.	Qty	Descrizione	Description	Beschreibung	Désignation
1#	L08600168	1	Blocchetto fissaggio cavi	Cable fixing block	Schelle	Bride
2#	L08603192	2	Vite TCTC 3,6x16 autofil.	Screw cyl hd thd form 3,6x16	Schraube	Vis
3#	L08812379	1	Cablaggio trazione	Harness traction	Kabel	Cable
4#	L08812377	1	Contacto per microinter.	Contact for micro	Kontakt Hebel	Lever
5#	L08812064	2	Morsetto negativo	Battery clamp -	Klemme -	Conecteur batterie -
6#	L08812292	1	Potenziometro reg.trazione	Potentiometer tract.adjuster	Potentiometer	Potentiometre
7#	L08812063	2	Morsetto positivo	Batthey clamp +	Klemme +	Conecteur batterie +
8#	L08187300	3	Morsettiera due elementi	Connection	Klemmleiste	Domino
9#	L08812397	1	Cablaggio mot.asp/ sch.el	Cable vac.mot./elect. card	Kabel,Turbine/Platine	Cablage,turbine
10#	L08603710	1	Cabalggio mot.sp/ sch.el.	Cable brush motor	Kabel,Buerstenmot/Plat.	Cablage,moteur du brosse
11#	L08812286	1	Scheda trazione	Traction card	Antriebsplatine	Carte de traction
12#	L08812814	1	Scheda elettronica	Electronic card release 3	Platine	Carte electronique
13#	L08812354	1	Guarnizione cop. scheda	Gasket	Dichtung	Joint
14#	L08812625	1	Kit copertura con viti	Kit closure electronic card	Zusatz Deckung m/Schraube	Kit de couverture avec vis
15#	L08812444	4	Vite TCTC M4x70	Screw cyl hd 4x70	Schraube	Vis
16#	L08812284	1	Coperchio scheda eletr.	Cover	Abdeckung	Couvercle
17#	L08812574	1	Cavo per coperchio sch.	Cable jumper	Kabel	Cable
18#	L08812061	1	Led rosso	Led red	Diode	Diode
19#	L08812599	1	Cablaggio macchina	Machine harness	Maschinen Kabel	Cablage
20#	L08812289	1	Supporto scheda eletr.	Support for el.card	Halter f.Elektronik	Support carte electronique
20	909 5068 000	1	Supporto scheda eletr.INOX	Support for el.card SS	Halter f.Elektronik rostfr.St.	Support carte electr.acier inox.
21#	145 0300 000	2	Teleruttore 24V	Electromagnetic switch	Schalter	Telerupteur
22#	L08603716	1	Cablaggio bobina/ sch.el.	Harness coil/card	Litzenset	Cablage
23#	L08812801	1	Distanziale	Spacer	Abstandstueck	Entretoise
24#	L08812577	1	Coperchio per fusibili	Cover	Sicherungshaube	Fusible couvercle
25#	L08812407	1	Cablaggio batteria/microint	Harness battery/micro	Kabel mit Batteriestecker	Cablage
26#	L08812470	1	Morsettiera 1 elemento	Connection	Klemmleiste	Domino
27#	L08812394	1	Cablaggio fusibili/ batt.	Security wire	Kabel Sicherungen/Batt.	Cablage
28#	L08812389	1	Fusibile 25A	Fuse 25A	Sicherung 25A	Fusible 25A
29#	L08603727	1	Fusibile 30A	Fuse 30A	Sicherung 30A	Fusible 30A
30#	L08812294	1	Microinterruttore 10A 250V	Microswitch 10A	Schalter kpl	Interupteur cpl
31#	L08093600	4	Vite TCCI M3x16	Screw cyl hd 3x16	Schraube	Vis
32#	L08336500	4	Rondella piana	Washer flat	Beilagscheibe	Rondelle
33#	L08812575	1	Piastra per microint.	Plate for micro	Lasche fuer Microschalter	Plaque p.microinterupteur
34#	L08812401	1	Cavo elettrico rosso	Red strand	Litze rot	Cable rouge
35#	L08812402	1	Cavo elettrico nero	Black strand	Litze schwarz	Cable noir
36#	L08812400	1	Cavo elettrico nero	Black strand	Litze schwarz	Cable noir
37#	L08812872	1	Fusibile 15A	Fuse 15A	Sicherung 15A	Fusible 15A
38#	L08812371	1	Potenziometro reg.corsa	Potentiometer speed adjus.	Potentiometer	Potentiometre
39#	L08812758	1	Contentore batterie	Battery container	Batteriebehaelter	Caisse de batterie
40#	L08812060	1	Cavo ponte batterie	Lead cable	Leitung	Cable de connection
41#	L08812562	1	Kit interruttore	Switch kit	Schalter Satz	Kit interupteur

Wiring system w/o traction and with charger



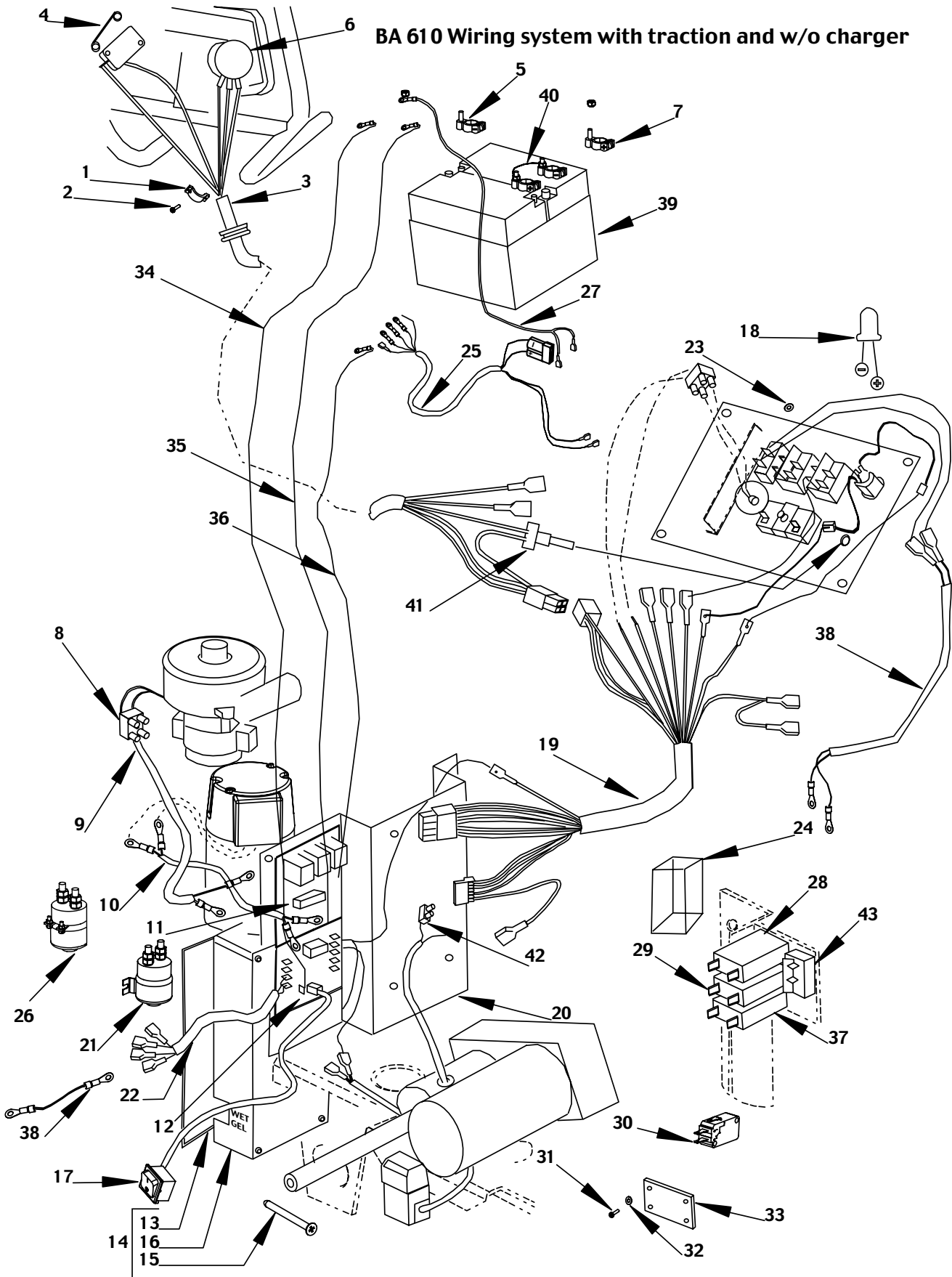
Item no.	Ref. No.	Qty	Descrizione	Description	Beschreibung	Désignation
1#	L08600168	1	Blocchetto fissaggio cavi	Cable fixing block	Schelle	Bride
2#	L08603192	2	Vite TCTC 3,6x16 autofil.	Screw cyl hd thd form 3,6x16	Schraube	Vis
3#	L08812445	1	Cavo plancia/microint.	Harness	Kabel	Cable
4#	L08812377	1	Contatto per microinter.	Contact for micro	Kontakt Hebel	Lever
5#	L08812064	2	Morsetto negativo	Battery clamp -	Klemme -	Conecteur batterie -
6#	L08812060	1	Cavo ponte batterie	Lead cable	Leitung	Cable de connection
7#	L08812063	2	Morsetto positivo	Battery clamp +	Klemme +	Conecteur batterie +
8#	L08187300	3	Morsettiera due elementi	Connection	Klemmleiste	Domino
9#	L08812397	1	Cablaggio mot.asp/ sch.el	Cable vacuum mot/elect.card	Kabel,Turbine/Platine	Cablage,turbine
10#	L08603710	1	Cablaggio mot.sp/ sch.el.	Cable brush motor	Kabel,Buerstenmot/Plat.	Cablage,moteur du brosse
11#	L08812758	1	Contenitore batterie	Battery container	Batteriebehaelter	Caisse de batterie
12#	L08812814	1	Scheda elettronica	Electronic card release 3	Platine	Carte electronique
13#	L08812354	1	Guarnizione cop. scheda	Gasket	Dichtung	Joint
14#	L08812625	1	Kit copertura con viti	Kit closure electronic card	Zusatz Deckung m/Schraube	Kit de couverture avec vis
15#	L08812444	1	Vite TCTC M4x70	Screw cyl hd 4x70	Schraube	Vis
16#	L08812284	1	Coperchio scheda eletr.	Cover	Abdeckung	Couvercle
17#	L08812574	1	Cavo per coperchio sch.	Cable jumper	Kabel	Cable
18#	L08812061	1	Led rosso	Led red	Diode	Diode
19#	L08812386	1	Cablaggio macchina	Machine harness	Maschinen Kabel	Cablage
20#	L08812289	1	Supporto scheda eletr.	Support for el. card	Halter f.Elektronik	Support carte electronique
21#	145 0300 000	2	Teleruttore 24V	Electromagnetic switch	Schalter	Telerupteur
22#	L08603716	1	Cablaggio bobina/ sch.el.	Harness coil/card	Litzenset	Cablage
23#	L08812801	1	Distanziale	Spacer	Abstandstueck	Entretoise
24#	L08812577	1	Coperchio per fusibili	Cover	Sicherungshaube	Fusible couvercle
25#	L08812402	1	Cavo elettrico nero	Strand black	Litze schwarz	Cablage
26#	L08603713	1	Cablaggio fusibili/ sch. el.	Cable	Kabel Sicherungen/Platine	Domino
27#	L08812394	1	Cablaggio fusibili/ batt.	Security wire	Kabel Sicherungen/Batt.	Cablage
28#	L08812389	1	Fusibile 25A	Fuse 25A	Sicherung 25A	Fusible 25A
29#	L08603727	1	Fusibile 30A	Fuse 30A	Sicherung 30A	Fusible 30A
30#	L08812821	1	Carica batteria	Battery charger	Batterieladegeraete	Chargeur de batterie
31#	L08812401	1	Cavo elettrico rosso	Red strand	Litze rot	Cable rouge

Wiring system with traction and with charger



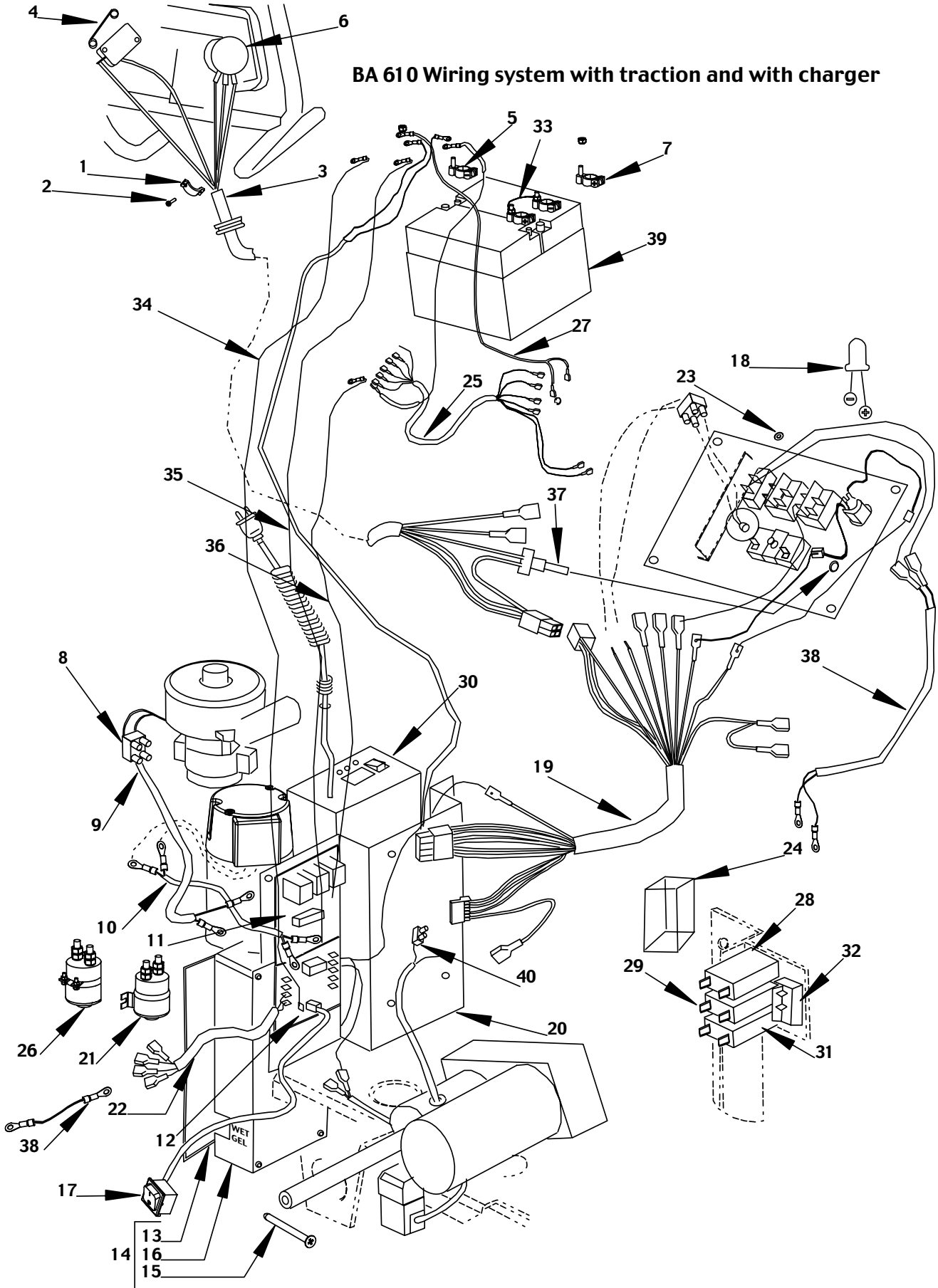
Item no.	Ref. No.	Qty	Descrizione	Description	Beschreibung	Désignation
1#	L08600168	1	Blocchetto fissaggio cavi	Cable fixing block	Schelle	Bride
2#	L08603192	2	Vite TCTC 3,6x16 autofil.	Screw cyl hd thd form 3,6x16	Schraube	Vis
3#	L08812379	1	Cablaggio trazione	Harness traction	Kabel	Cable
4#	L08812377	1	Contacto per microinter.	Contact for micro	Kontakt Hebel	Lever
5#	L08812064	2	Morsetto negativo	Battery clamp -	Klemme -	Conecteur batterie -
6#	L08812292	1	Potenziometro reg.trazione	Potentiometer traction adjuster	Potentiometer	Potentiometre
7#	L08812371	1	Potenziometro reg.corsa	Potentiometer speed adjuster	Potentiometer	Potentiometre
8#	L08187300	3	Morsettiera due elementi	Connection	Klemmleiste	Domino
9#	L08812397	1	Cablaggio mot.asp/ sch.el	Cable vacuum mot./elect. card	Kabel,Turbine/Platine	Cablage,turbine
10#	L08603710	1	Cablaggio mot.sp/ sch.el.	Cable brush motor/elect.card	Kabel,Buerstenmot/Plat.	Cablage,moteur du brosse
11#	L08812286	1	Scheda trazione	Traction card	Antriebsplatine	Carte de traction
12#	L08812814	1	Scheda elettronica	Electronic card	Platine	Carte electronique
13#	L08812354	1	Guarnizione cop. scheda	Gasket	Dichtung	Joint
14#	L08812625	1	Kit copertura con viti	Kit closure electronic card	Zusatz Deckung m/Schraube	Kit de couverture avec vis
15#	L08812444	4	Vite TCTC M4x70	Screw cyl hd 4x70	Schraube	Vis
16#	L08812284	1	Coperchio scheda elettr.	Cover	Abdeckung	Couvercle
17#	L08812574	1	Cavo per coperchio sch.	Cable jumper	Kabel	Cable
18#	L08812061	1	Led rosso	Led red	Diode	Diode
19#	L08812599	1	Cablaggio macchina	Machine harness	Maschinen Kabel	Cablage
20#	L08812289	1	Supporto scheda elettr.	Support,el.card	Halter fuer Platine	Support carte electronique
21	145 0300 000	2	Teleruttore 24V	Electromagnetic switch	Schalter	Telerupteur
22#	L08603716	1	Cablaggio bobina/ sch.el.	Harness coil/card	Litzenset	Cablage
23#	L08812801	1	Distanziale	Spacer	Abstandstueck	Entretoise
24#	L08812577	1	Coperchio per fusibili	Cover	Sicherungshaube	Fusible couvercle
25#	L08603712	1	Cablaggio fusibili/sch. el.	Harness	Litzenset	Cablage
26#	L08812470	1	Morsettiera 1 elemento	Connection	Klemmleiste	Domino
27#	L08812394	1	Cablaggio fusibili/ batt.	Security wire	Kabel Sicherungen	Cablage
28#	L08812389	1	Fusibile 25A	Fuse 25A	Sicherung 25A	Fusible 25A
29#	L08603727	1	Fusibile 30A	Fuse 30A	Sicherung 30A	Fusible 30A
30#	L08812821	1	Carica batterie	Battery charger	Batterieladegeraete	Chargeur de batterie
31#	L08812872	1	Fusibile 15A	Fuse 15A	Sicherung 15A	Fusible 15A
32#	L08812758	1	Contentitore batterie	Battery container	Batteriebehaelter	Caisse de batterie
33#	L08812060	1	Cavo ponte batterie	Lead cable	Leitung	Cable de connection
34#	L08812401	1	Cavo elettrico rosso	Red strand	Litze rot	Cable rouge
35#	L08812402	1	Cavo elettrico nero	Black strand	Litze schwarz	Cable noir
36#	L08812400	1	Cavo elettrico nero	Black strand	Litze schwarz	Cable noir
37#	L08812063	2	Morsetto positivo	Battery clamp +	Klemme +	Conecteur batterie +
38#	L08812562	1	Kit interruttore	Switch kit	Schalter Satz	Kit interrupteur

BA 610 Wiring system with traction and w/o charger



Item no.	Ref. No.	Qty	Descrizione	Description	Beschreibung	Désignation
1#	L08600168	1	Blocchetto fissaggio cavi	Cable fixing block	Schelle	Bride
2#	L08603192	2	Vite TCTC 3,6x16 autofil.	Screw thd form 3,6x16	Schraube	Vis
3#	L08812379	1	Cablaggio trazione	Harness traction	Antriebs Kabel	Cable
4#	L08812377	1	Contacto per microinter.	Contact for micro	Kontakt Hebel	Lever
5#	L08812064	1	Morsetto negativo	Battery clamp -	Klemme -	Conecteur batterie -
6#	L08812292	1	Potenziometro reg.trazione	Potentiometer tract.adjuster	Potentiometer	Potentiometre
7#	L08812063	2	Morsetto positivo	Battery clamp +	Klemme +	Conecteur batterie +
8#	L08187300	3	Morsettiera due elementi	Connection	Klemmleiste	Domino
9#	L08812397	1	Cablaggio mot.asp/ sch.el	Cable vac.mot./elect.card	Kabel,Turbine/Platine	Cablage,turbine
10	909 5013 000	1	Cablaggio mot.spazzole	Cable brush motor	Kabel,Buerstenmotor	Cablage,moteur du brosse
11#	L08812286	1	Scheda trazione	Traction card	Antriebsplatine	Carte de traction
12#	L08812814	1	Scheda elettronica	Electronic card release 3	Platine	Carte electronique
13#	L08812354	1	Guarnizione cop. scheda	Gasket	Dichtung	Joint
14#	L08812625	1	Kit copertura con viti	Kit closure electronic card	Zusatz Deckung m/Schraube	Kit de couverture avec vis
15#	L08812444	4	Vite TCTC M4x70	Screw cyl hd 4x70	Schraube	Vis
16#	L08812284	1	Coperchio scheda eletr.	Cover	Abdeckung	Couvercle
17#	L08812574	1	Cavo per coperchio sch.	Cable jumper	Kabel	Cable
18#	L08812061	1	Led rosso	Led red	Diode	Diode
19#	L08812599	1	Cablaggio macchina	Machine harness	Maschinen Kabel	Cablage
20#	L08812289	1	Supporto scheda eletr.	Support for el. card	Halter f.Platine	Support carte electronique
21#	145 0300 000	1	Teleruttore 24V	Electromag.switch vac.motor	Schalter	Telerupteur
22#	L08603716	1	Cablaggio bobina/ sch.el.	Harness coil/card	Litzenset	Cablage
23#	L08812801	1	Distanziale	Spacer	Abstandstueck	Entretoise
24#	L08812577	1	Coperchio per fusibili	Cover	Sicherungshaube	Fusible couvercle
25#	L08812407	1	Cablaggio batteria/microint	Cable	Kabel	Cablage
26#	L08603934	1	Teleruttore	Electromag. switch brushes	Schalter	Telerupteur
27#	L08812394	1	Cablaggio fusibili/ batt.	Security wire	Kabel Sicherungen/Batt.	Cablage
28#	L08812389	1	Fusibile 25A	Fuse 25A	Sicherung 25A	Fusible 25A
29#	L08603727	1	Fusibile 30A	Fuse 30A	Sicherung 30A	Fusible 30A
30#	L08812294	1	Microinterruttore 10A 250V	Microswitch 10A	Microschalter	Interupteur cpl
31#	L08093600	4	Vite TCCI M3x16	Screw cyl hd 3x16	Schraube	Vis
32#	L08336500	4	Rondella piana	Washer flat	Beilagscheibe	Rondelle
33#	L08812575	1	Piastra per microint.	Plate for micro	Lasche fuer Microschalter	Plaque p.microinterupteur
34#	L08812401	1	Cavo elettrico rosso	Strand red	Litze rot	Cable rouge
35#	L08812402	1	Cavo elettrico nero	Strand black	Litze schwarz	Cable noir
36#	L08812400	1	Cavo elettrico nero	Strand black	Litze schwarz	Cable noir
37#	L08812872	1	Fusibile 15A	Fuse 15A	Sicherung 15A	Fusible 15A
38#	L08603928	1	Cablaggio click off	Harness click off	Kabel	Cablage click off
39#	L08812758	1	Contentore batterie	Battery container	Batteriebehaelter	Caisse de batterie
40#	L08812060	1	Cavo ponte batterie	Lead cable	Leitung	Cable de connection
41#	08812371	1	Potenziometro reg.corsa	Potentiometer speed adjuster	Potentiometer	Potentiometre
42#	L08812470	1	Morsettiera 1 elemento	Connection	Klemmleiste	Domino
43#	L08812562	1	Kit interruttore	Switch	Schalter Satz	Kit interupteur

BA 610 Wiring system with traction and with charger



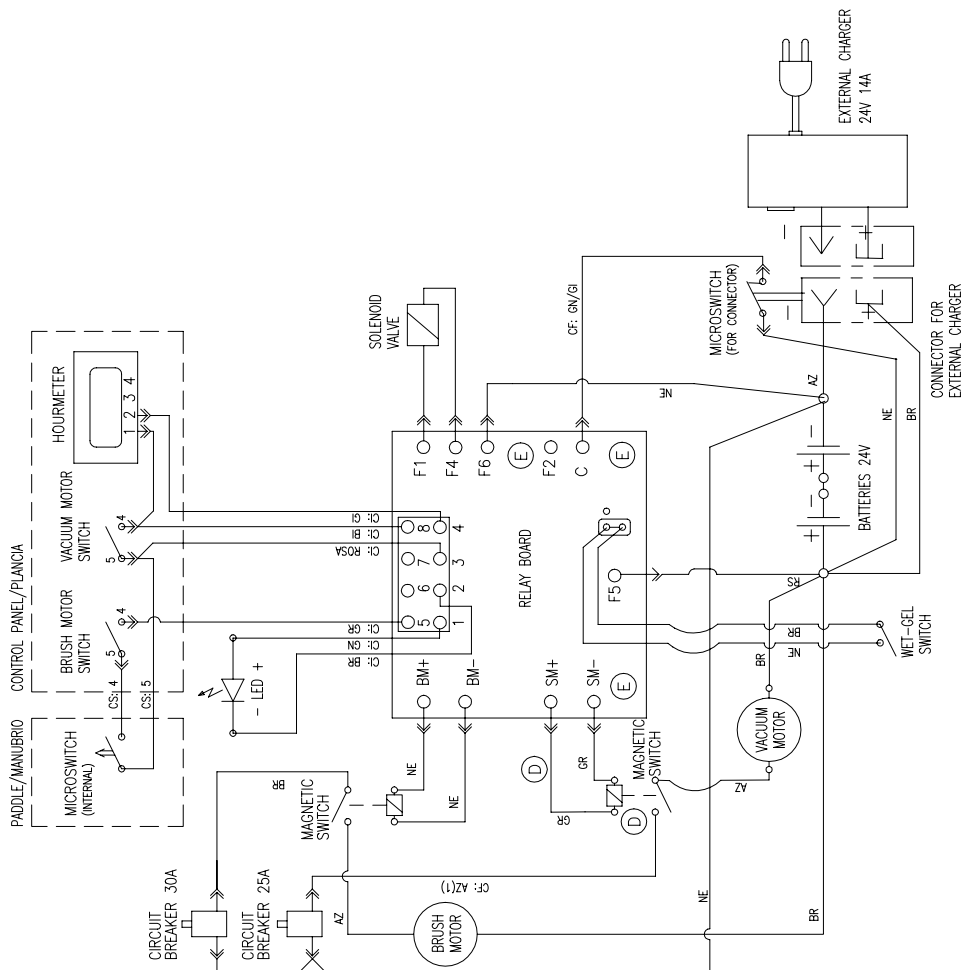
Item no.	Ref. No.	Qty	Descrizione	Description	Beschreibung	Désignation
1#	L08600168	1	Blocchetto	Cable fixing block	Schelle	Bride
2#	L08603192	2	Vite TCTC 3,6x16 autofil.	Screw cyl hd thd form 3,6x16	Schraube	Vis
3#	L08812379	1	Cablaggio trazione	Harness	Antriebs Kabel	Cable
4#	L08812377	1	Contacto	Contact for micro	Kontakt Hebel	Lever
5#	L08812064	2	Morsetto negativo	Battery clamp -	Klemme -	Conecteur batterie -
6#	L08812292	1	Potenziometro reg.trazione	Lead cable	Potentiometer	Potentiometre
7#	L08812063	2	Morsetto positivo	Battery clamp +	Klemme +	Conecteur batterie +
8#	L08187300	3	Morsettiera 2 elementi	Connection	Klemmleiste	Domino
9#	L08812397	1	Cablaggio mot.asp./scheda el	Cable vacuum mot./elect. card	Kabel,Turbine/Platine	Cablage,turbine
10	909 5013 000	1	Cablaggio mot.asp.	Cable brush motor	Kabel,Buerstenmotor	Cablage,moteur du brosse
11#	L08812286	1	Scheda trazione	Traction card	Antriebsplatine	Carte de traction
12#	L08812814	1	Scheda elettronica	Electronic card release 3	Platine	Carte electronique
13#	L08812354	1	Guarnizione	Gasket	Dichtung	Joint
14#	L08812625	1	Kit copertura con viti	Kit closure electronic card	Zusatz Deckung m/Schraube	Kit de couverture avec vis
15#	L08812444	4	Vite TCTC M4x70	Screw cyl hd 4x70	Schraube	Vis
16#	L08812284	1	Coperchio scheda elet.	Cover	Abdeckung	Couvercle
17#	L08812574	1	Cavo per coperchio	Cable jumper	Kabel	Cable
18#	L08812061	1	Led rosso	Led red	Diode	Diode
19#	L08812599	1	Cablaggio macchina	Machine harness	Maschinen Kabel	Cablage
20#	L08812289	1	Supporto scheda elet.	Support for el. card	Halter f.Platine	Support carte electronique
21	145 0300 000	1	Teleruttore	Electromagn.switch vac. mot.	Schalter	Telerupteur
22#	L08603716	1	Cablaggio bobina/scheda el.	Harness coil/card	Litzenset	Cablage
23#	L08812801	1	Distanziale	Spacer	Abstandstueck	Entretoise
24#	L08812577	1	Coperchio per fusibili	Cover	Sicherungshaube	Fusible couvercle
25#	L08603712	1	Cablaggio fusibili/scheda el.	Cable	Kabel	Cablage
26#	L08603934	1	Teleruttore doppio	Electromagnetic switch brushes	Schalter	Telerupteur
27#	L08812394	1	Cablaggio fusibili/batteria	Security wire	Kabel Sicherungen/Batt.	Cablage
28#	L08812389	1	Fusibile 25A	Fuse 25A	Sicherung 25A	Fusible 25A
29#	L08603727	1	Fusibile 30A	Fuse 30A	Sicherung 30A	Fusible 30A
30#	L08812821	1	Carica batteria	Battery charger	Batterieladegeraet	Chargeur de batterie
31#	L08812872	1	Fusibile 15A	Fuse 15A	Sicherung 15A	Fusible 15A
32#	L08812562	1	Kit interruttore	Switch kit	Schalter Satz	Kit interrupteur
33#	L08812060	1	Cavo ponte batterie	Lead cable	Leitung	Cable de connection
34#	L08812401	1	Cavo elettrico rosso	Strand red	Litze rot	Cable rouge
35#	L08812402	1	Cavo elettrico nero	Strand black	Litze schwarz	Cable noir
36#	L08812400	1	Cavo elettrico nero	Strand black	Litze schwarz	Cable noir
37#	L08812371	1	Potenziometro reg.corsa	Potentiometer speed adjuster	Potentiometer	Potentiometre
38#	L08603928	1	Cablaggio click off	Harness click off	Kabel	Cablage
39#	L08812758	1	Contentore batterie	Battery container	Batteriebehaelter	Caisse de batterie
40#	L08812470	1	Morsettiera 1 elemento	Connection	Klemmleiste	Domino

- 24V BATTERIES - BATTERIA 24V
- BRUSH MOTOR - MOTORE SPAZZOLA
- BRUSH MOTOR SWITCH - INTERRUTTORE MOTORE SPAZZOLA
- CIRCUIT BREAKER - FUSIBILE DI RIPRISTINO
- CONNECTOR FOR CHARGER - CONNETTORE PER CARICABATTERIA
- EXTERNAL CHARGER - CARICABATTERIA ESTERNO
- GEL-WET SWITCH - INTERRUTTORE TIPO BATTERIE
- HOURLY METER - CONTAIORE
- MAGNETIC SWITCH - TELERINTERRUTTORE
- MICROSWITCH - MICROINTERRUTTORE
- RELAY BOARD - SCHEDA RELE'
- SOLENOID VALVE - ELETTROVALVOLE
- VACUUM MOTOR - MOTORE ASPIRAZIONE
- VACUUM MOTOR SWITCH - INTERRUTTORE MOTORE ASPIRAZIONE

TABELLA COLORI COLORS CODES

AZ =	BLEU
BI =	WHITE
GI =	YELLOW
GR =	GREY
BR =	BROWN
NE =	BLAK
ROSA =	PINK
RS =	RED
VI =	VIOLET
OR =	ORANGE
GN =	GREEN

SCHEMA ELETTRICO/ELECTRIC DIAGRAM (BA450/530) 08812799
 (senza trazione senza caricabatteria/without traction without charger/batteries)



CI: CABLE INTERNAL - CAVI INTERNI
 CF: CABLE FUSE - CAVI FUSIBILI
 CS: CABLE SWITCH HOUSING - CAVI INTERRUTTORI

- 24V BATTERIES - BATTERIA 24V
- BRUSH MOTOR - MOTORE SPAZZOLA
- BRUSH MOTOR SWITCH - INTERRUTTORE MOTORE SPAZZOLA
- CIRCUIT BREAKER - FUSIBILE DI RIPRISTINO
- CONNECTOR FOR CHARGER - CONNETTORE PER CARICABATTERIA
- DRIVE MOTOR - MOTORE TRAZIONE
- EXTERNAL CHARGER - CARICABATTERIA ESTERNO
- GEL-WET SWITCH - INTERRUTTORE TIPO BATTERIE
- HOURMETER - CONTAORE
- KEY SWITCH - INTERRUTTORE CHIAVE ACCENSIONE
- MAGNETIC SWITCH - TELERUTTORE
- MICROSWITC - MICROINTERRUTTORE
- POTENZIOMETER - POTENZIOMETRO
- RELAY BOARD - SCHEDA RELE'
- SOLENOID VALVE - ELETTROVALVOLA
- SPEED CONTROLLER - CONTROLLO TRAZIONE
- TRACTION SWITCH - INTERRUTTORE TRAZIONE
- VACUUM MOTOR - MOTORE ASPIRAZIONE
- VACUUM MOTOR SWITCH - INTERRUTTORE MOTORE ASPIRAZIONE

08812798

SCHEMA ELETTRICO/ELECTRIC DIAGRAM (BA450/530)

(con trazione senza caricabatteria/with traction without chargerbattery)

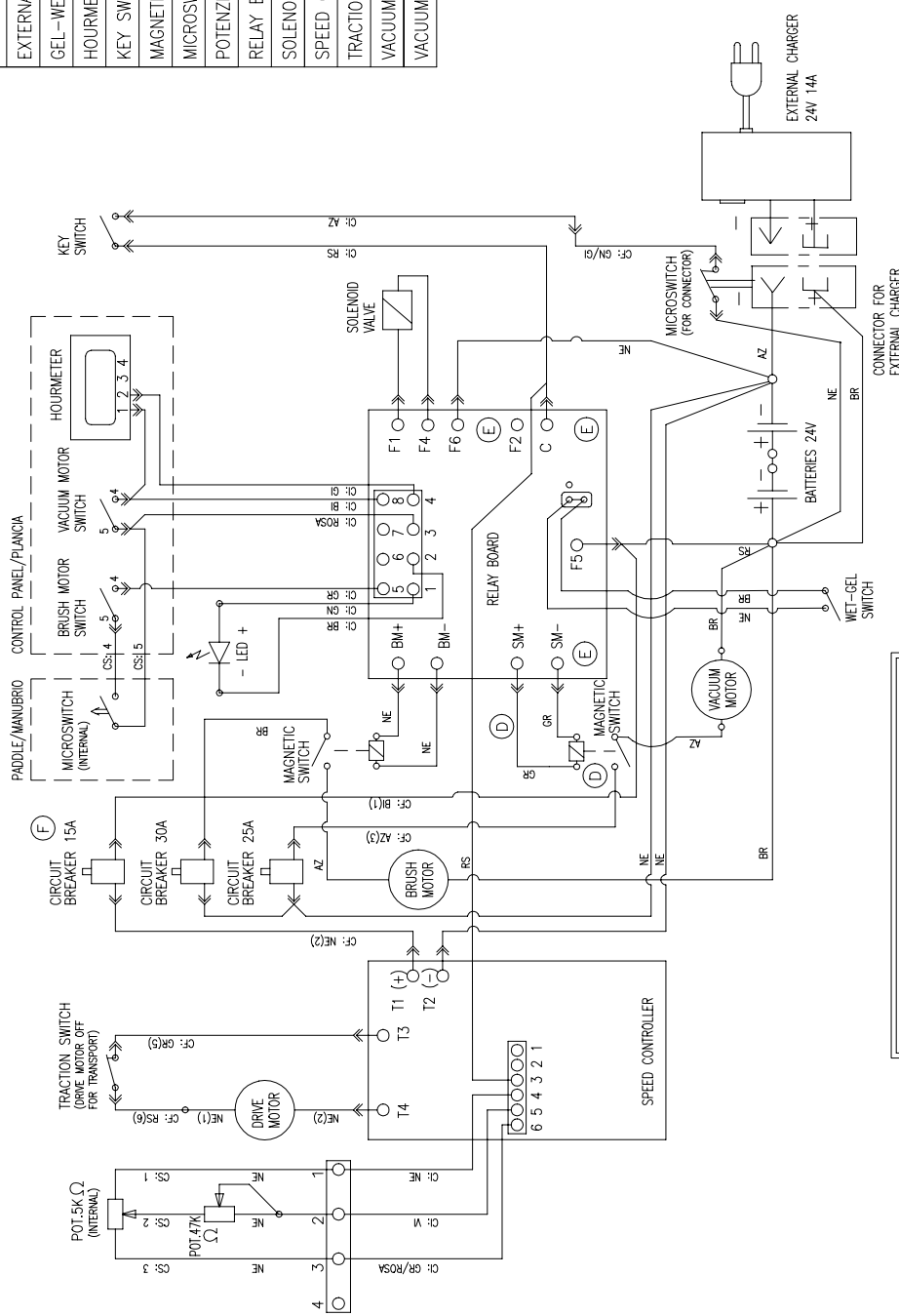


TABELLA COLORI	COLORS COMES
AZ =	BLEU
BI =	WHITE
GI =	YELLOW
GR =	GREY
BR =	BROWN
NE =	BLAK
ROSA =	PINK
RS =	RED
VI =	VIOLET
OR =	ORANGE
GN =	GREEN

CI: CABLE INTERNAL - CAVI INTERNI
 CF: CABLE FUSE - CAVI FUSIBILI
 CS: CABLE SWITCH HOUSING - CAVI INTERRUTTORI

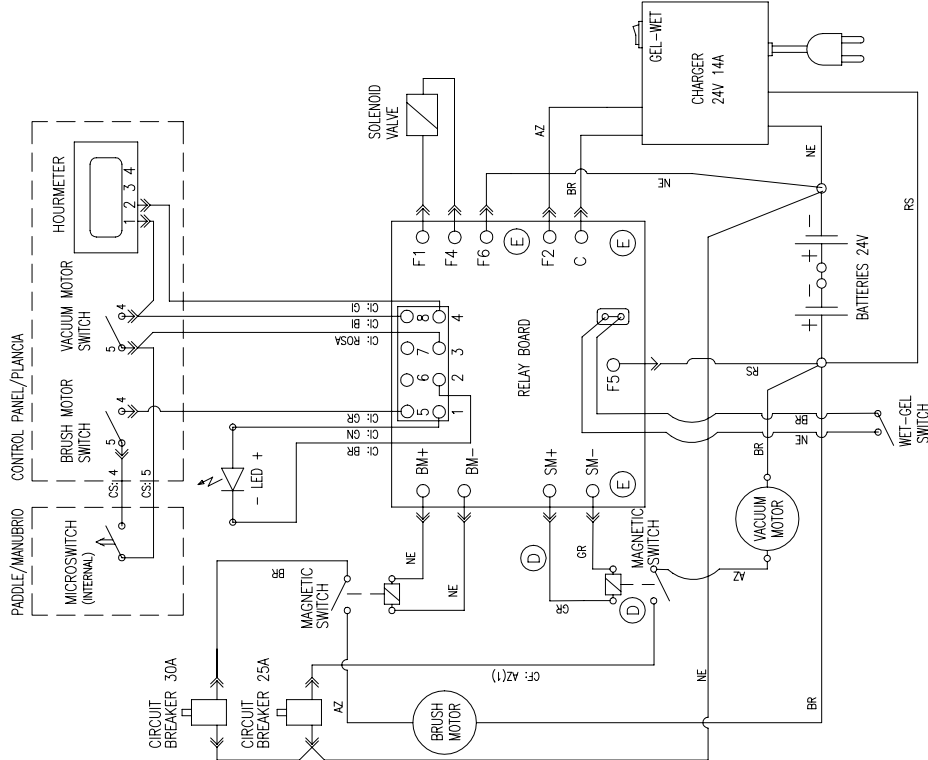
- 24V BATTERIES - BATTERIA 24V
- BRUSH MOTOR - MOTORE SPAZZOLA
- BRUSH MOTOR SWITCH - INTERRUTTORE MOTORE SPAZZOLA
- CHARGER BATTERY - CARICABATTERIA
- CIRCUIT BREAKER - FUSIBILE DI RIPRISTINO
- GEL-WET SWITCH - INTERRUTTORE TIPO BATTERIE
- HOURLMETER - CONTAORE
- MAGNETIC SWITCH - TELERUTTORE
- MICROSWITCH - MICROINTERRUTTORE
- RELAY BOARD - SCHEDA 'RELE'
- SOLENOID VALVE - ELETTROVALVOLA
- VACUUM MOTOR - MOTORE ASPIRAZIONE
- VACUUM MOTOR SWITCH - INTERRUTTORE MOTORE ASPIRAZIONE

TABELLA COLORI	COLORS CODES
AZ =	BLEU
BI =	WHITE
GI =	YELLOW
GR =	GREY
BR =	BROWN
NE =	BLAK
ROSA =	PINK
RS =	RED
VI =	VIOLET
OR =	ORANGE
GN =	GREEN

08812797

SCHEMA ELETRICO/ELECTRIC DIAGRAM (BA450/530)

(senza trazione ma con caricabatteria/without traction with charger/battery)

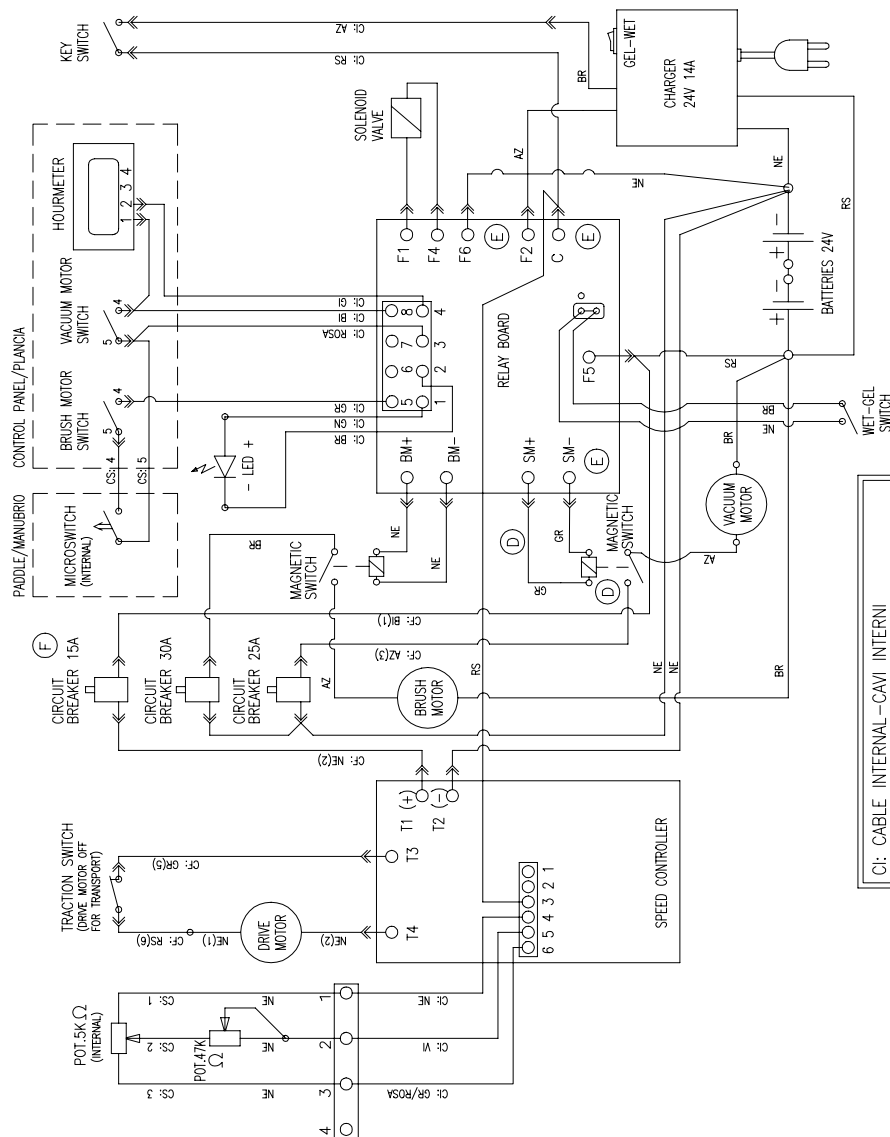


CI: CABLE INTERNAL - CAVI INTERNI
 CF: CABLE FUSE - CAVI FUSIBILI
 CS: CABLE SWITCH - CAVI INTERRUTTORI

SCHEMA ELETTRICO/ELECTRIC DIAGRAM (BA450/530) 08812796
 (con trazione e caricobatteria/with traction and charger/battery)

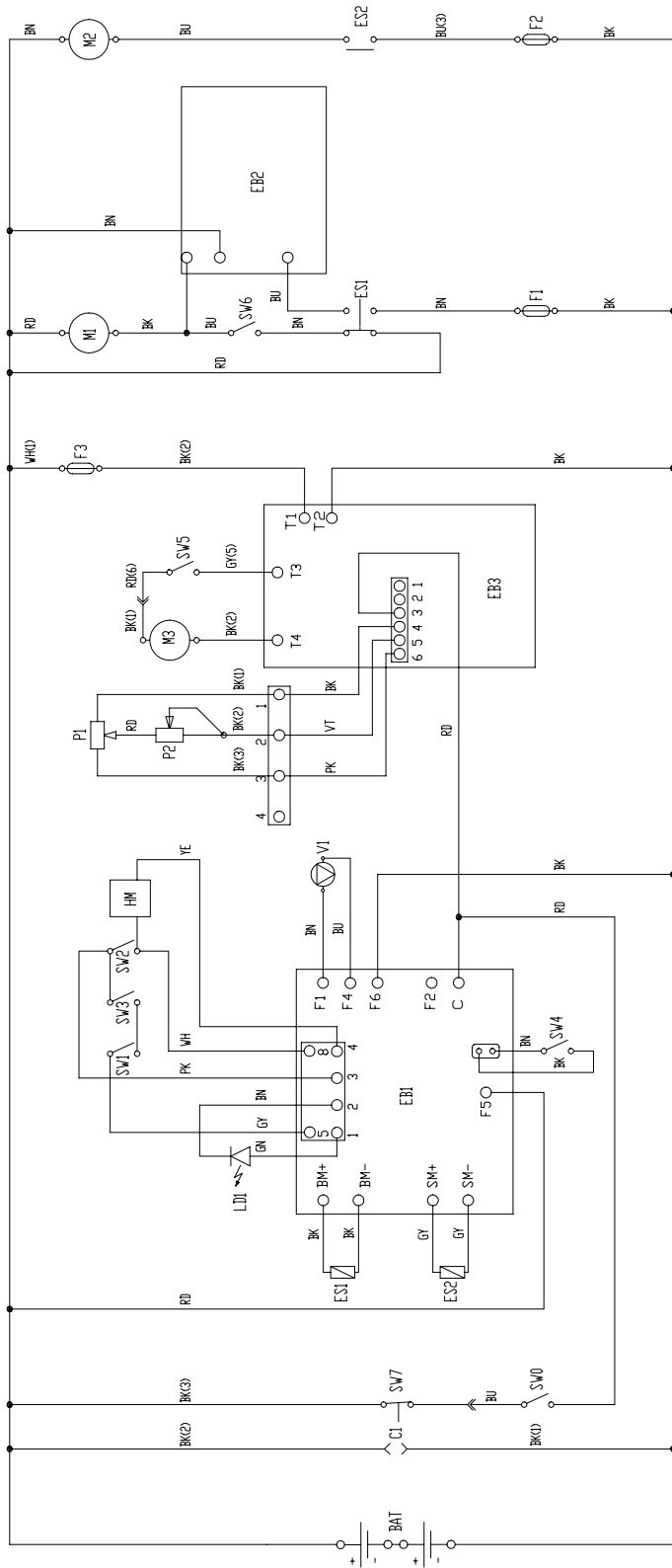
- 24V BATTERIES - BATTERIA 24V
- BRUSH MOTOR - MOTORE SPAZZOLA
- BRUSH MOTOR SWITCH - INTERRUTTORE MOTORE SPAZZOLA
- CHARGER BATTERY - CARICABATTERIA
- CIRCUIT BREAKER - FUSIBILE DI RIPRISTINO
- DRIVE MOTOR - MOTORE TRAZIONE
- GEL-WET SWITCH - INTERRUTTORE TIPO BATTERIE
- HOURLY METER - CONTAIORE
- KEY SWITCH - INTERRUTTORE CHIAVE ACCENSIONE
- MAGNETIC SWITCH - TELEINTERRUTTORE
- MICROSWITCH - MICROINTERRUTTORE
- POTENZIOMETRO - POTENZIOMETRO
- RELAY BOARD - SCHEDA RELÉ
- SOLENOID VALVE - ELETTROVALVOLA
- SPEED CONTROLLER - CONTROLLO TRAZIONE
- TRACTION SWITCH - INTERRUTTORE TRAZIONE
- VACUUM MOTOR - MOTORE ASPIRAZIONE
- VACUUM MOTOR SWITCH - INTERRUTTORE MOTORE ASPIRAZIONE

TABELLA COLORI	COLORS CODES
AZ =	BLEU
BI =	WHITE
CI =	YELLOW
GR =	GREY
BR =	BROWN
NE =	BLACK
ROSA =	PINK
RS =	RED
VI =	VIOLET
OR =	ORANGE
GN =	GREEN



CI: CABLE INTERNAL - CAVI INTERNI
 CF: CABLE FUSE - CAVI FUSIBILI
 CS: CABLE SWITCH HOUSING - CAVI INTERRUTTORI

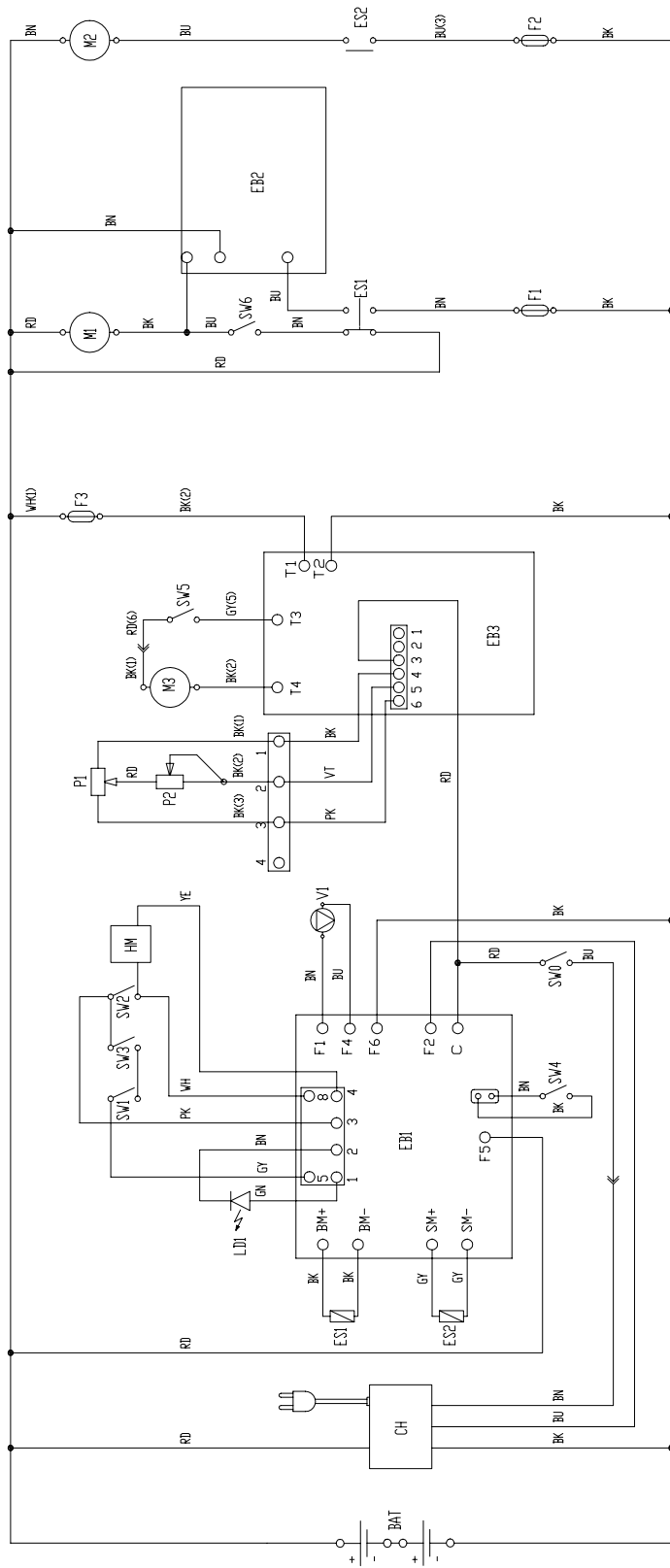
SCHEMA ELETTRICO
BA610 senza caricabatterie
909 5017 000



COMPONENTS	
M1	24V BATTERIES
M2	VACUUM MOTOR
M3	DRIVE MOTOR
CI	EXTERNAL BATTERIES CHARGER CONNECTOR
EB1	LOGIC ELECTRONIC BOARD
EB2	BRUSHES ELECTRONIC BOARD
EB3	DRIVE MAX SPEED POTENTIOMETER (4700rpm)
EB4	BRUSHES ELECTRONIC BOARD
EB5	BRUSHES ELECTRONIC BOARD
EB6	BRUSHES ELECTRONIC BOARD
F1	BRUSHES MOTOR CIRCUIT BREAKER (GSA)
F2	VACUUM MOTOR CIRCUIT BREAKER (GSA)
F3	DRIVE MOTOR CIRCUIT BREAKER (GSA)
HM	HORN
LJ1	BATTERIES STATUS LED
M1	BRUSHES MOTOR

COLORS CODES	
BK	BLACK nero
BU	BLUE azzurro
BN	BROWN marrone
GN	GREEN verde
GR	GREY grigio
OG	ORANGE arancio
RD	RED rosso
VI	VIOLET viola
WH	WHITE bianco
YE	YELLOW giallo

SCHEMA ELETTRICO
BA610 con caricabatterie
909 5018 000



COMPONENTS	
M1	24V BATTERIES
M2	VACUUM MOTOR
M3	DRIVE MOTOR
P1	DRIVE SPEED POTENTIOMETER (5kOhm)
P2	DRIVE MAX SPEED POTENTIOMETER (47kOhm)
SW0	KEY SWITCH
SW1	BRUSHES SWITCH
SW2	VACUUM SWITCH
SW3	PADILE MICROSWITCH
SW4	PRV/REL BATTERIES SELECTOR
SW5	TRACTION SWITCH
SW6	CLICK-OFF SWITCH
V1	WATER ELECTROVALVE
M1	BRUSHES MOTOR

COLORS CODES	
BK	BLACK nero
BU	BLUE azzurro
BR	BROWN marrone
GN	GREEN verde
GR	GREY grigio
OR	ORANGE arancio
PK	PINK rosa
RD	RED rosso
VI	VIOLET viola
WH	WHITE bianco
YE	YELLOW giallo



Nilfisk-Advance SpA

Registered office: Via F. Turati 16/18, 20121 Milano

Administrative office: Strada Comunale della Braglia n° 18

26862 Guardamiglio (Lodi)

www.nilfisk-advance.com

Phone: +39 0377 451124

Fax: +39 0377 51443

Printed in Italy