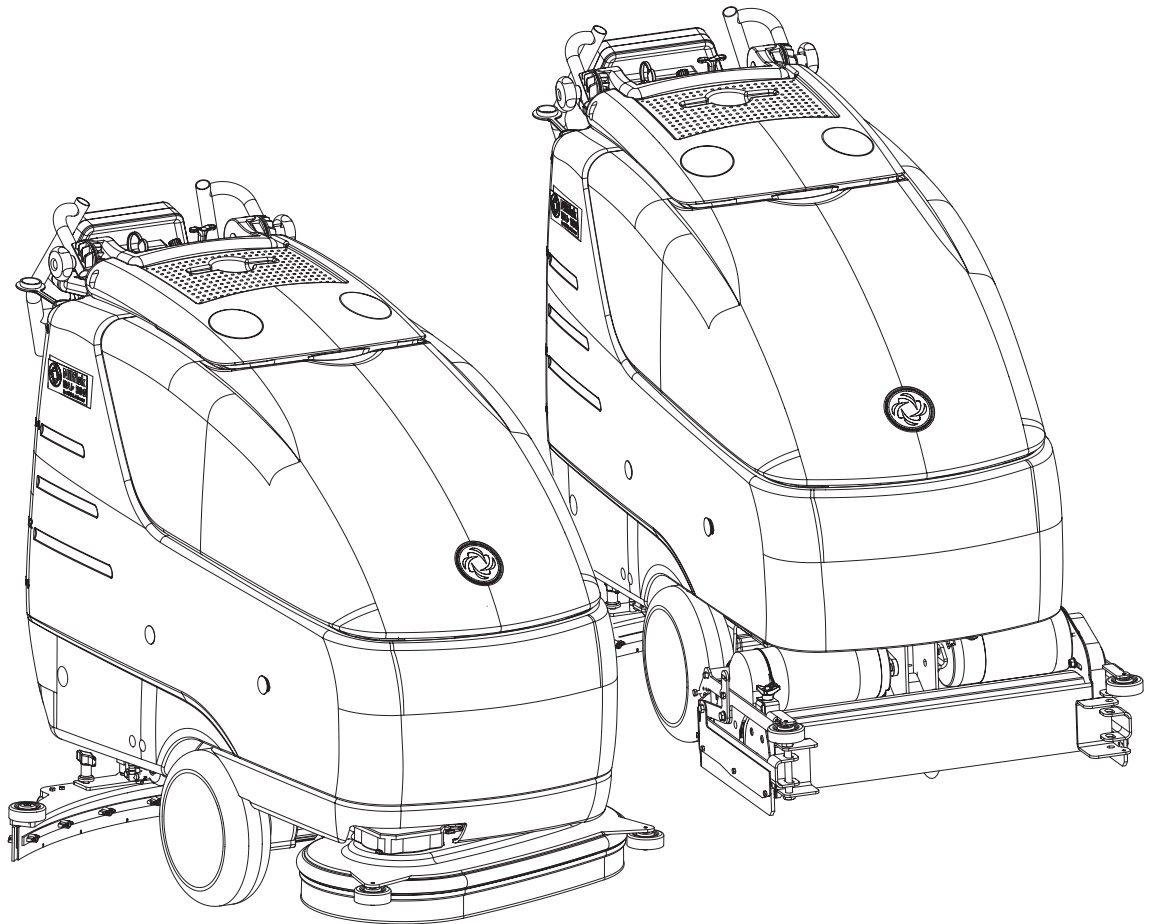


BA 600S/BA 650S/BA 750S

BA 600S C/ BA 750S C



CATALOGO RICAMBI
PARTS LIST
LISTE DE PIECES DETACHEES
ERSATZTEILLISTE



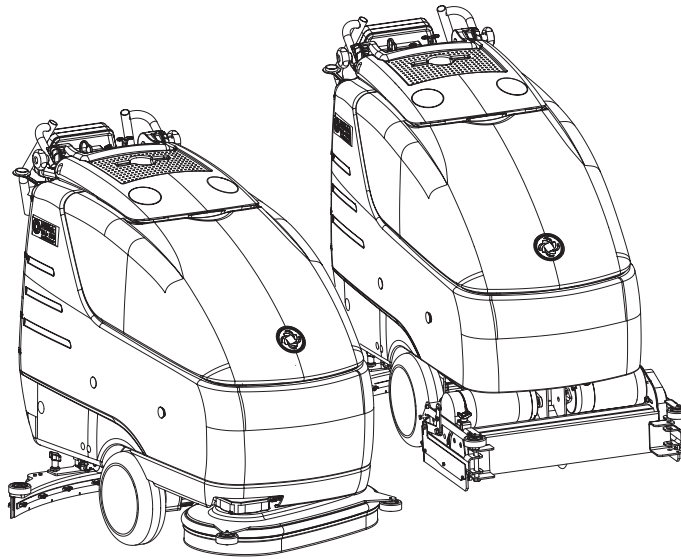
Nilfisk
Advance

setting standards

909 5320 000(3)2006-01



2006-01	TABLE OF CONTENTS	BOOK E		
2004-12	BA 600S/ BA 650S/ BA 750S - BA 600SC/ BA 750SC	E	12.9.1	1



I

GB

D

F

Pagina
Page
Seite -Page

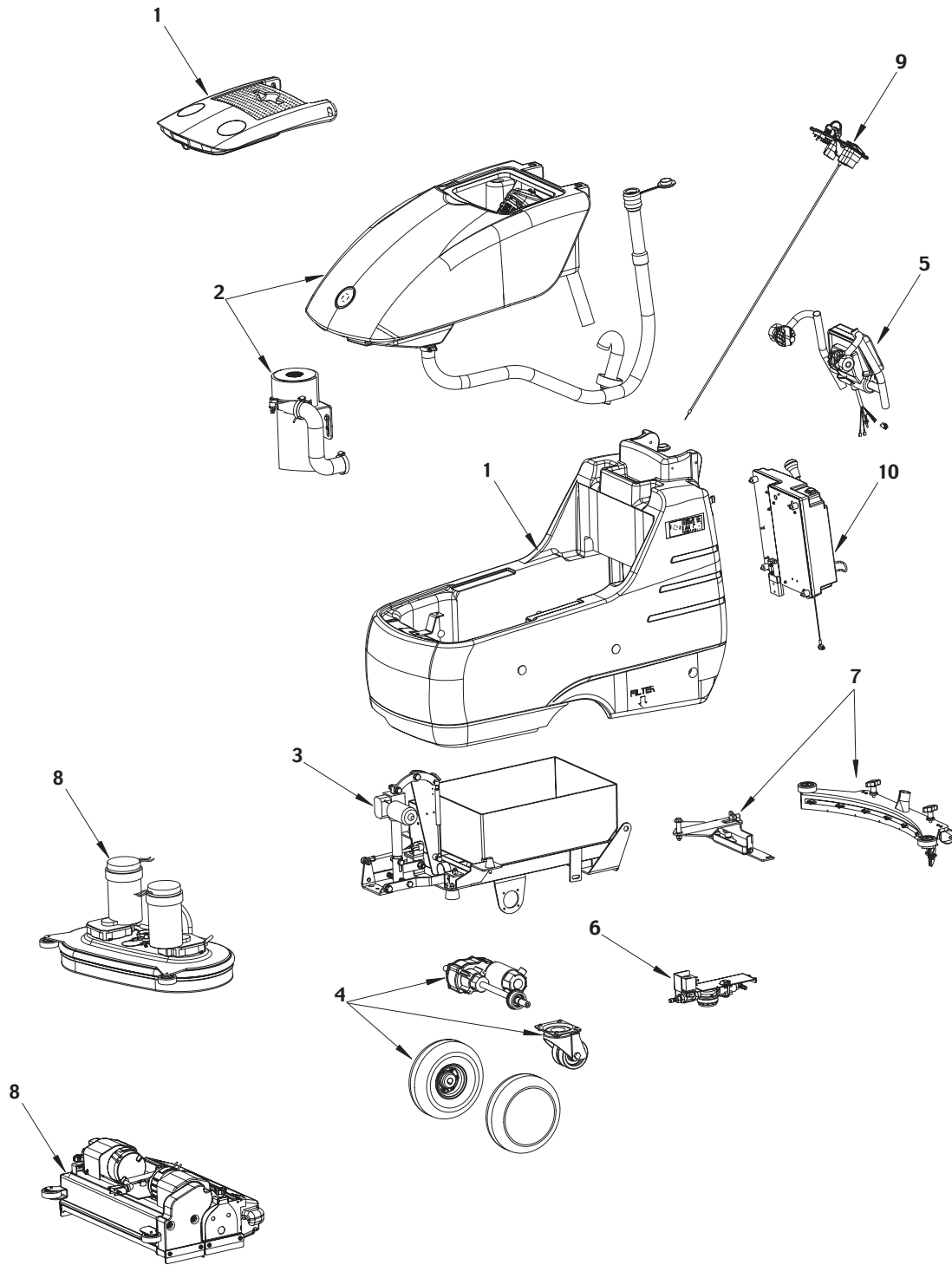
VISTA GENERALE	GENERAL VIEW	GESAMTANSICHT	VUE GENERAL	2-3
SERBATOIO ACQUA PULITA	FRESH WATER TANK	FRISCHWASSERTANK	RESERVOIR SOLUTION	4-7
SERBATOIO ACQUA SPORCA	DIRTY WATER TANK	SCHMUTZWASSERTANK	RESERVOIR EAU SALE	8-11
GRUPPO TELAIO	CHASSIS SYSTEM	CHASSIS SYSTEM	CHASSIS SYSTEM	12-15
GRUPPO RUOTE E TRAZIONE	WHEELS AND TRACTION	RAEDER UND ANTRIEB	ROUES ET TRACTION	16-17
GRUPPO MANIGLIONE	HANDLE ASSEMBLY	FUEHRUNGSBUEGEL	POIGNEE DE CONDUIT	18-19
GRUPPO ELETTROVALVOLA	SOLUTION SYSTEM	WASSERZUFUEHRUNG	CIRCUIT DE SOLUTION	20-21
GRUPPO TERGITORE 600-650	SQUEEGEE SYSTEM 600-650	SAUGDUESENSYST. 600-650	SYST. D'EMBOUCHURE 600-650	22-25
GRUPPO TERGITORE 750	SQUEEGEE SYSTEM 750	SAUGDUESENSYST. 750	SYST. D'EMBOUCHURE 750	26-29
GRUPPO SPAZZOLE	BRUSHES SYSTEM	BUERSTEN SYSTEM	SYSTEME DE BROSSES	30-33
GRUPPO SPAZZOLE CIL.	CYL. BRUSHES SYSTEM	ZYL. BUERSTEN SYSTEM	SYSTEME DE BROSSES CYL.	34-37
ACCESSORI	ACCESSORIES	ZUBEHOERE	ACCESSOIRES	38-41
PANNELLO DI CONTROLLO	CONTROL PANEL SYSTEM	SCHALTPLAN	TABLEAU DE BORD	42-43
SISTEMA ELETTRICO	WIRING SYSTEM	ELEKTRISCHE SYSTEM	SYSTEM ELECTRIQUE	44-47
SCHEMA ELETTRICO	WIRING DIAGRAM	SCHALTPLAN	DIAGRAMME ELECTRIQUE	48
RICAMBI CONSIGLIATI	RECOMMENDED SPARE PARTS	EMPFOHLENE ERSATZTEILE	PIECES DETACHEE	49-50
			RECOMMANDEES	

WHEN ORDERING PARTS

- * Use the 8, 9 or 10 digit numbers from the "Ref. No." columns in this parts list.
- * Specify the model and serial number of the machine.
- * Use the space below to record the model and serial number for future reference.

Model _____ Serial No. _____

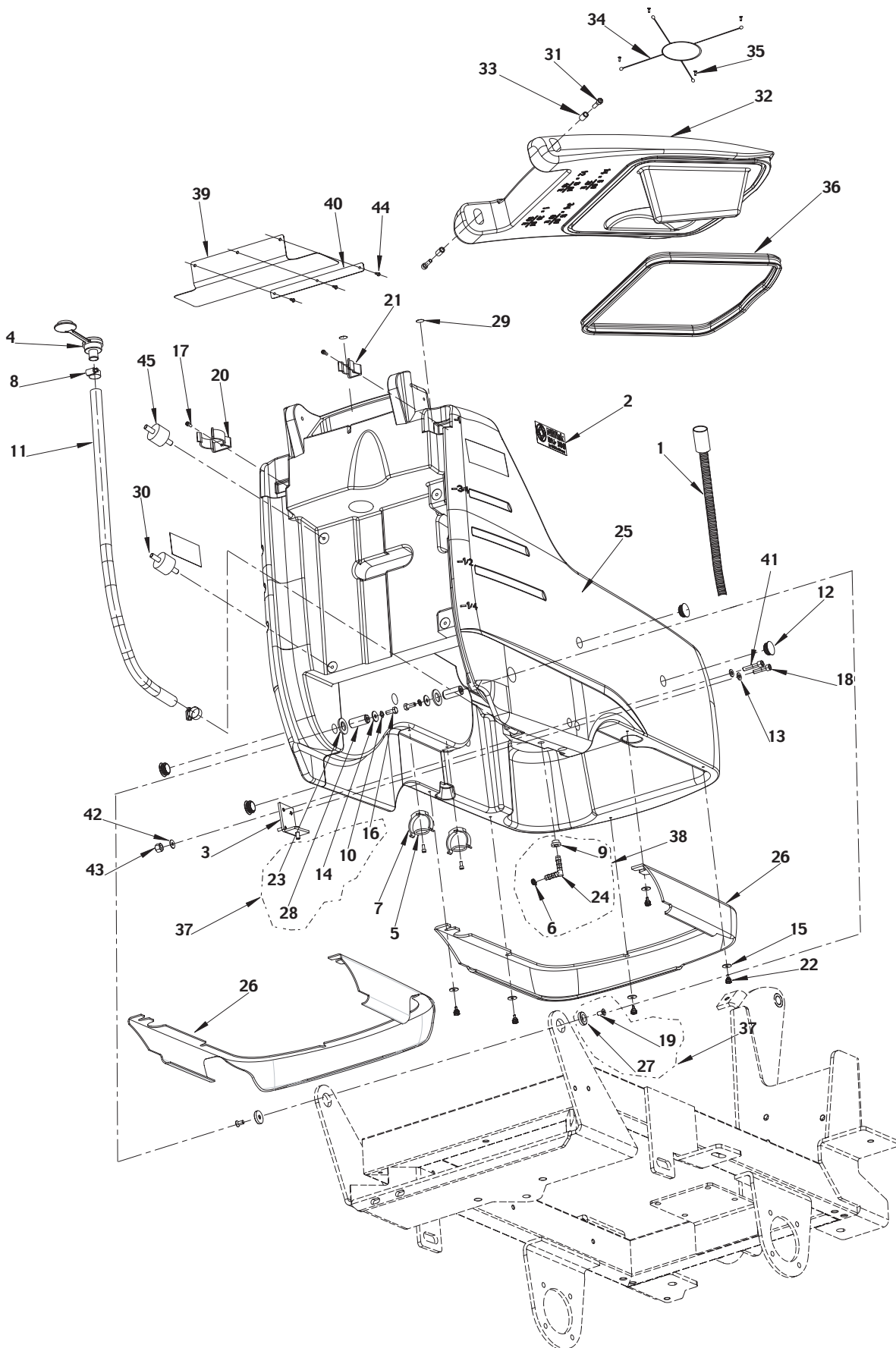
- * = Optional**
- # = Modified item No. or New item No.**
- 0 = Not shown**
- xxxxxx= Contained in a Kit**



2006-01	VISTA GENERALE / GENERAL VIEW	BOOK E		
2004-12	BA 600S/ BA 650S/ BA 750S - BA 600SC/ BA 750SC	E	12.9.1	3

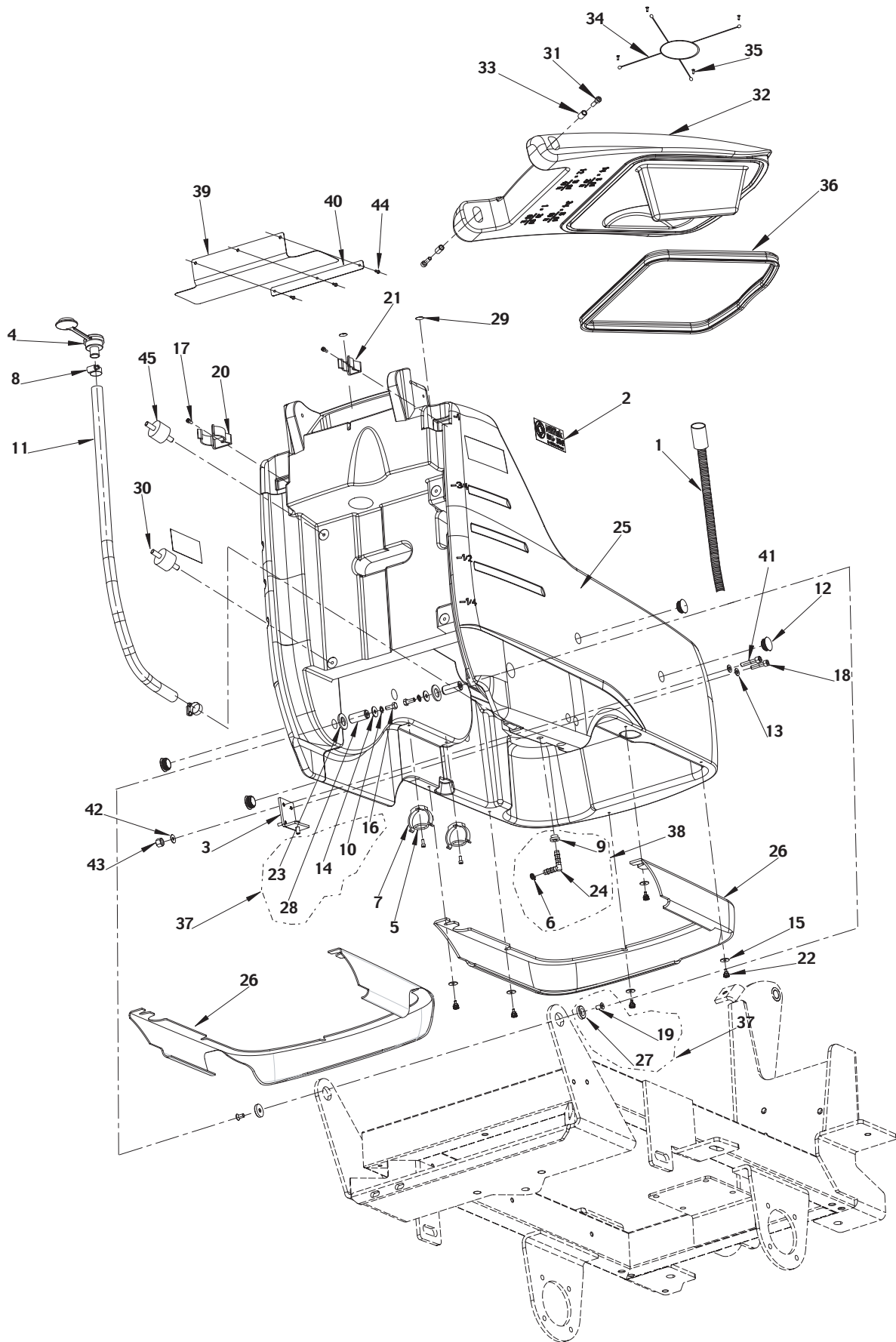
**Pos
Item
Bild
Rép**

	Descrizione	Description	Beschreibung	Désignation
1	Gruppo serbatoio acqua pulita	Fresh water tank	Frischwassertank	Reservoir solution
2	Gruppo serbatoio acqua sporca	Dirty water tank	Schmutzwassertank	Reservoir eau sale
3	Gruppo telaio	Chassis system	Chassis System	Chassis systeme
4	Gruppo ruote e trazione	Wheels and traction	Raeder und Antrieb	Roues et traction
5	Gruppo maniglione	Handle assembly	Fuehrungsbuegel	Poignee de conduite
6	Gruppo elettrovalvola	Solution system	Wasserzufuehrung	Circuit de solution
7	Gruppo tergitoro	Squeegee system	Saugduesen System	Systeme d'embouchure
8	Gruppo spazzole a disco	Disc brushes system	Buersten System	Systeme de brosses
8	Gruppo spazzole cilindriche	Cylindrical brushes system	Zyl. Buersten System	Systeme de brosses cylindriques
9	Pannello di controllo	Control panel	Schaltplan	Tableau de bord
10	Sistema elettrico	Electrical system	Elektrische System	Systeme electrique



2006-01	SERBATOIO ACQUA PULITA / SOLUTION TANK	BOOK E		
2004-12	BA 600S/ BA 650S/ BA 750S - BA 600SC/ BA 750SC	E	12.9.1	5

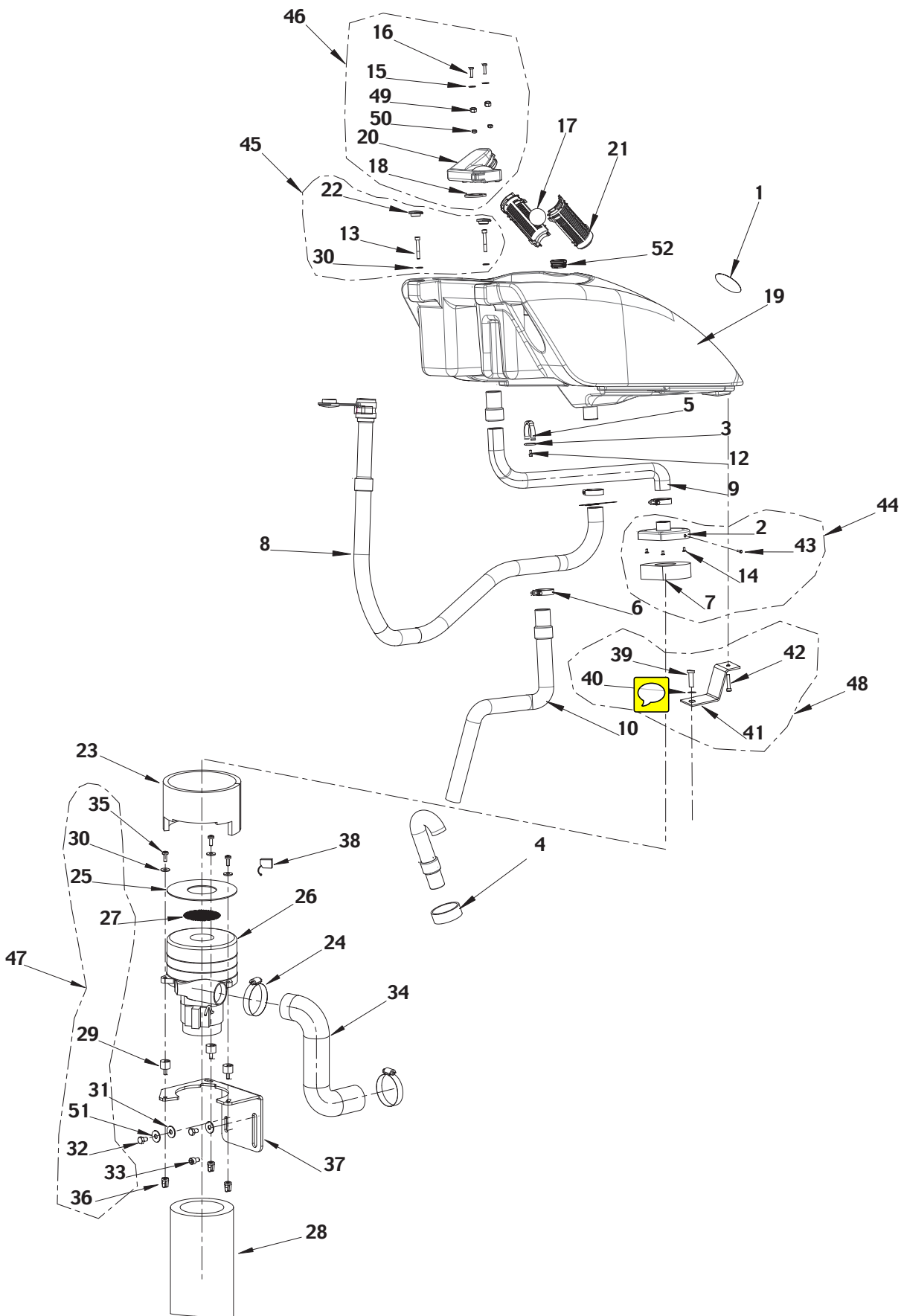
Pos Item Bild Rép	Codice Ref. No. Art. Nr. Réf. No	Q.tà Qty Menge Qté	Descrizione	Description	Beschreibung	Désignation
1	909 5327 000	1	Tubo riempimento	Filling hose	Fuellungsschlauch	Tuyau de remplissage
2	909 5404 000	1	Kit adesivi Nilfisk BA 600S	Decal kit, BA 600S	Klebstreifsatz BA 600S	Kit adhesif BA 600S
2	909 5405 000	1	Kit adesivi Nilfisk BA 650S	Decal kit, BA 650S	Klebstreifsatz BA 650S	Kit adhesif BA 650S
2	909 5406 000	1	Kit adesivi Nilfisk BA 750S	Decal kit, BA 750S	Klebstreifsatz BA 750S	Kit adhesif BA 750S
3	909 5234 000	1	Staffa fissaggio serbatoio	Bracket, tank fixing	Stange	Support
4	909 5236 000	1	Chiusura tubo acqua pulita	Closure, fresh water hose	Verschluß	Fermeture
5#	L08095000	2	Guarnizione	O-Ring	Sicherungsring	Joint
6	xxx xxxx xxx	1	Fascetta	Clamp	Schelle	Collier
7	56412093	2	Fascetta di serraggio	Clamp	Schelle	Collier
8#	L08603916	2	Fascetta	Clamp	Schelle	Collier
9	xxx xxxx xxx	1	Guarnizione per raccordo	Gasket	Dichtung	Joint
10	xxx xxxx xxx	2	Rondella spaccata	Washer split	Beilagscheibe	Rondelle
11	909 5235 000	1	Tubo acqua pulita	Hose, solution	Frischwasserschlauch	Tuyau
12#	L08812365	4	Tappo per serbatoio	Cap, tank locking	Kappe	Bouchon
13	145 9120 000	2	Rondella piana 8x17	Washer flat 8x17	Beilagscheibe	Rondelle
14	xxx xxxx xxx	2	Rondella piana 8x24	Washer flat 8x24	Beilagscheibe	Rondelle
15	145 9341 000	5	Rondella piana 5x20	Washer flat 5x20	Beilagscheibe	Rondelle
16	xxx xxxx xxx	2	Vite TE M8x20	Screw hex hd M8x20	Schraube	Vis
17	145 1768 000	4	Vite TCEI M5x12	Screw socket hd M5x12	Schraube	Vis
18	145 9828 000	1	Vite TCEI M8x35	Screw socket hd M8x35	Schraube	Vis
19	xxx xxxx xxx	2	Vite TSPTC M8x12	Screw sunk hd M8x12	Schraube	Vis
20#	L08812967	1	Fascetta fermatubo ø50	Clamp	Schelle	Collier
21#	L08812966	1	Fascetta fermatubo ø25	Clamp	Schelle	Collier
22	909 5835 000	5	Volantino M5x10	Handwheel M5x10	Handrad M5x10	Molette
23	xxx xxxx xxx	2	Rondella piana 20,5x37	Washer flat 20,5x37	Beilagscheibe	Rondelle
24	xxx xxxx xxx	1	Raccordo a 90° ø10	Elbow 90° ø10	Verbindung	Raccord
25	909 5233 000	1	Serbatoio acqua pulita	Solution tank	Frischwassertank	Reservoir solution
26	909 5238 000	1	Paraurti anteriore	Bumper, front disc deck	Stoßdaempfer	Parechoc
26	909 5771 000	1	Paraurti anteriore test. cilind.	Bumper, front cil. deck	Stoßdaempfer Zyl. Buerste	Parechoc brosse cylindrique
27	xxx xxxx xxx	2	Distanziale per serbatoio	Bushing	Abstandstueck	Entretoise
28	xxx xxxx xxx	2	Perno serbatoio	Pin	Stift	Axe
29	xxx xxxx xxx	2	Adesivo regolazione acqua	Decal, water faucet	Klebstreif	Adhesif
30#	L08812462	2	Antivibrante cilindrica M6	Vibration damping	Schwingdaempfer	Silent bloc
31	146 0116 00	2	Vite TCEI M6x25	Screw socket hd M6x25	Schraube	Vis
32	909 5247 000	1	Coperchio serbatoio	Cover, tank	Deckel	Couvercle
33#	L08603117	2	Distanziale d.7xd.10xd.19	Sleeve	Abstandstueck	Entretoise
34	909 5301 000	1	Elastico porta oggetti	Rubber band	Gummischnur	Elastique
35#	L08603668	4	Vite TCTC 4x14 autof.	Screw cyl hd 4x14 thd f.	Schraube	Vis
36#	L08603228	1	Guarnizione	Gasket	Dichtung	Joint
37	909 5381 000	1	Kit fissaggio serb. acq. pulita (10-14-16-19-23-27-28)	Tank fitting kit (10-14-16-19-23-27-28)	Tank fixierung Satz (10-14-16-19-23-27-28)	Kit fixation reservoir (10-14-16-19-23-27-28)
38	909 5382 000	1	Kit raccordo serb.acq. pulita (6-9-24)	Elbow, solution tank kit (6-9-24)	Verbindung Frischwassertank Satz (6-9-24)	Kit raccord reservoir solution (6-9-24)



2006-01	SERBATOIO ACQUA PULITA / SOLUTION TANK	BOOK E		
2004-12	BA 600S/ BA 650S/ BA 750S - BA 600SC/ BA 750SC	E	12.9.1	7

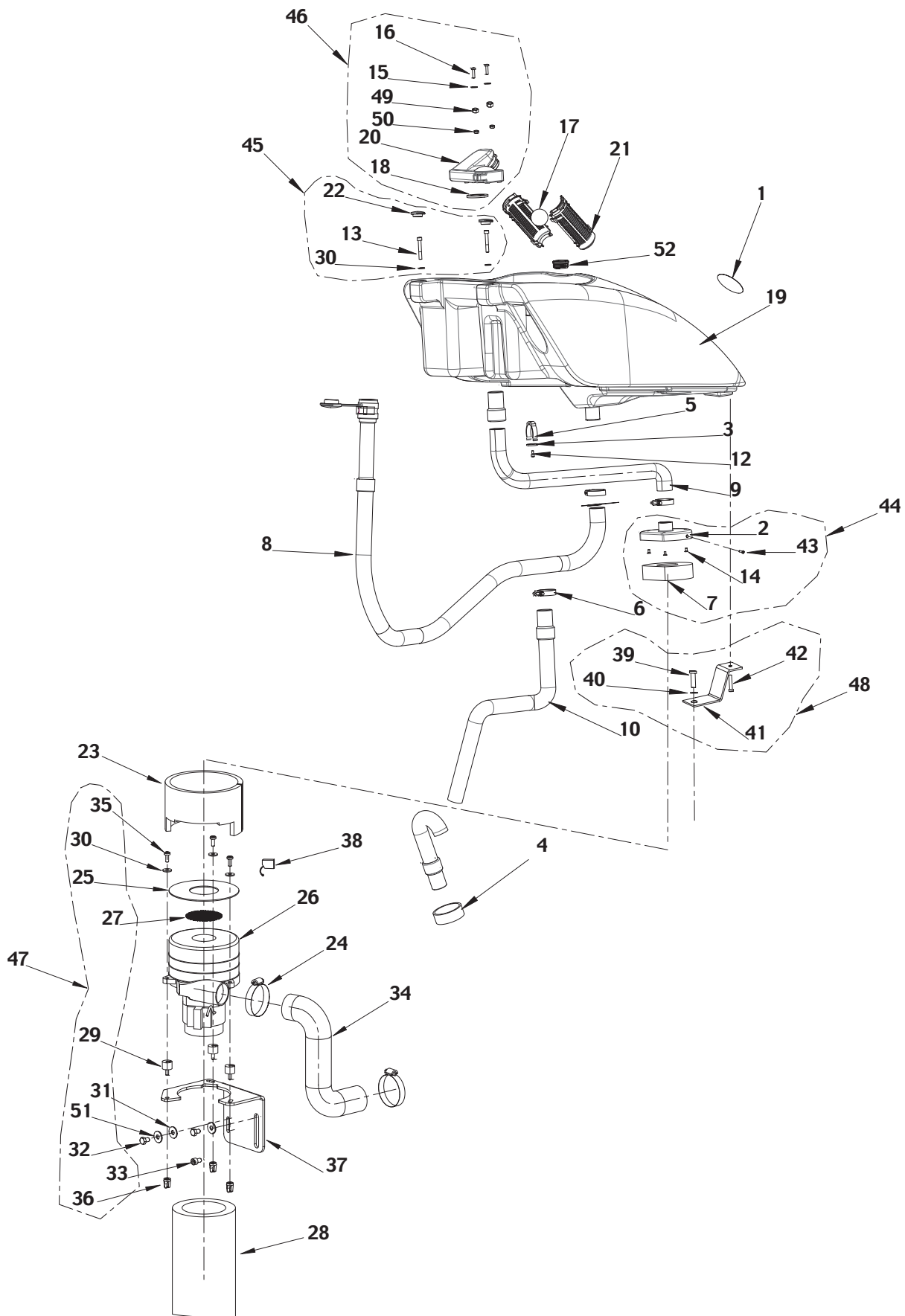
Pos Item Bild Rép	Codice Ref. No. Art. Nr. Réf. No	Q.tà Qty Menge Qté	Descrizione	Description	Beschreibung	Désignation
39a	909 5905 000	1	Gomma protezione	Protection rubber	Gummi Schutz	Protection
40a	909 5906 000	1	Piattina	Plate	Lasche	Plaque
41	909 5954 000	1	Vite TE M8x50	Screw hex hd M8x50	Schraube M8x50	Vis M8x50
42#	L08085700	1	Rondella piana 8x17	Washer flat 8x17	Beilagscheibe 8x17	Rondelle 8x17
43#	L08361400	1	Dado es. basso autobl. M6	Nut hex low self lock M6	Mutter M6	Ecrou M6
44a	146 0454 000	3	Vite TSPTC 3,9x16 autof.	Screw 3,9x16 thd form	Schraube 3,9x16	Vis 3,9x16
45	909 6263 000	2	Colonna sostegno sterzo	Column plate support	Halter	Support

a: See TSB 2005-003



2006-01	SERBATOIO ACQUA SPORCA / RECOVERY TANK	BOOK E		
2004-12	BA 600S/ BA 650S/ BA 750S - BA 600SC/ BA 750SC	E	12.9.1	9

Pos Item Bild Rép	Codice Ref. No. Art. Nr. Réf. No	Q.tà Qty Menge Qté	Descrizione	Description	Beschreibung	Désignation
1	xxx xxxx xxx	1	Adesivo logo Nilfisk	Decal Nilfisk round	Klebstreif rund Nilfisk	Adhesif Nilfisk
2	xxx xxxx xxx	1	Coperchio motore asp.	Cover vacuum motor	Saugmotor Deckel	Couvercle
3#	L08095000	1	Guarnizione O-ring	O-ring	Sicherungsring	Joint
4	909 5246 000	1	Elastico tubo aspirazione	Gasket	Gummischnur	Elastique
5	56412093	1	Fascetta di serraggio	Clamp, hose fixing	Schelle	Collier
6	145 0543 000	5	Fascetta stringitubo	Clamp, hose fixing	Schelle	Collier
7	xxx xxxx xxx	1	Guarnizione motore asp.	Gasket, vacuum motor	Dichtung	Joint
8	909 5240 000	1	Tubo acqua sporca	Drain hose	Schmutzwasserschlauch	Tuyau
9	909 5245 000	1	Tubo motore aspirazione	Hose vacuum motor	Schlauch	Tuyau
10	909 6230 000	1	Tubo aspirazione	Vacuum hose	Saugschlauch	Tuyau
12	145 1768 000	1	Vite TCEI M5x12	Screw socket hd M5x12	Schraube	Vis
13	xxx xxxx xxx	2	Vite TCEI M6x55	Screw socket hd M6x55	Schraube	Vis
14	xxx xxxx xxx	3	Vite TSPEI M5x10 inox	Screw M5x10 SS	Schraube	Vis
15	xxx xxxx xxx	6	Rondella piana 6x18 inox	Washer flat	Beilagscheibe	Rondelle
16	xxx xxxx xxx	2	Vite TE 6x40 inox	Screw hex hd 6x40 SS	Schraube	Vis
17#	L08812373	1	Galleggiante	Floating ball	Ball	Flotteur
18	xxx xxxx xxx	1	Guarnizione adesiva	Gasket	Dichtung	Joint
19a	909 5911 000	1	Kit serbatoio acqua sporca	Kit recovery tank	Schmutzwasser Tank Satz	Kit reservoir
19	909 5909 000	1	Serbatoio acqua sporca	Recovery tank	Schmutzwasser Tank	Reservoir
20	xxx xxxx xxx	1	Porta galleggiante	Holder, float cage	Schwimmer halter	Support flotteur
21#	L08812259	2	Contenitore galleggiante	Cage, float	Schwimmer	Cage de flotteur
22	xxx xxxx xxx	2	Tappo a scatto	Cap	Kappe	Bouchon
23	909 5197 000	1	Fonoassorbente motore	Acoustic insulation	Muffe	Isolant antibruit
25	xxx xxxx xxx	1	Guarnizione motore asp.	Gasket	Dichtung	Joint
26	909 5370 000	1	Kit motore aspirazione+connettore	Vacuum motor kit	Saugmotor Satz	Kit moteur aspiration
27	xxx xxxx xxx	1	Rete protezione ventola	Protection	Schutznetz	Grillage de protection
28	909 5300 000	1	Fonoassorbente motore	Acoustic insulation	Schalldampf.f.Motor	Isolant antibruit
29	xxx xxxx xxx	3	Antivibrante cilindrico	Vibration damping	Schwingungsdampf.	Silent bloc
30	xxx xxxx xxx	5	Rondella piana	Washer flat	Beilagscheibe	Rondelle
31	xxx xxxx xxx	1	Rondella piana	Washer flat	Beilagschiebe	Rondelle
32	xxx xxxx xxx	1	Vite TE M8x16	Screw hex hd M8x16	Schraube	Vis
33	xxx xxxx xxx	1	Vite TCEI M8x10	Screw M8x10	Schraube	Vis
34	909 5199 000	1	Tubo flessibile scarico acq.	Hose, flexible w/elbows	Abwasserschlauch	Tuyau
35	xxxxxxx	3	Vite TCTC M6x12	Screw M6x12	Schraube	Vis
36	xxx xxxx xxx	3	Galletto di fissaggio M6	Wing nut M6	Fluegelmutter	Ecrou à papillon
37	909 5200 000	1	Supporto motore aspiraz	Support	Halter	Support
38	909 5371 000	2	Carboncino motore aspiraz.	Carbon brush	Kohlen buerste	Charbons
39	145 6026 000	1	Vite TCEI M6x12	Screw socket hd M6x12	Schraube	Vis
40	145 9961 000	1	Rondella piana 6x12,5 inox	Washer flat 6x12,5 SS	Beilagscheibe	Rondelle
41	909 5229 000	1	Staffa fissaggio serbatoio	Bracket	Buegel	Bride
41a	909 5908 000	1	Staffa fissaggio serbatoio	Bracket	Buegel	Bride
42	146 0765 000	1	Vite TSPEI M6x10	Screw M6x10	Schraube	Vis



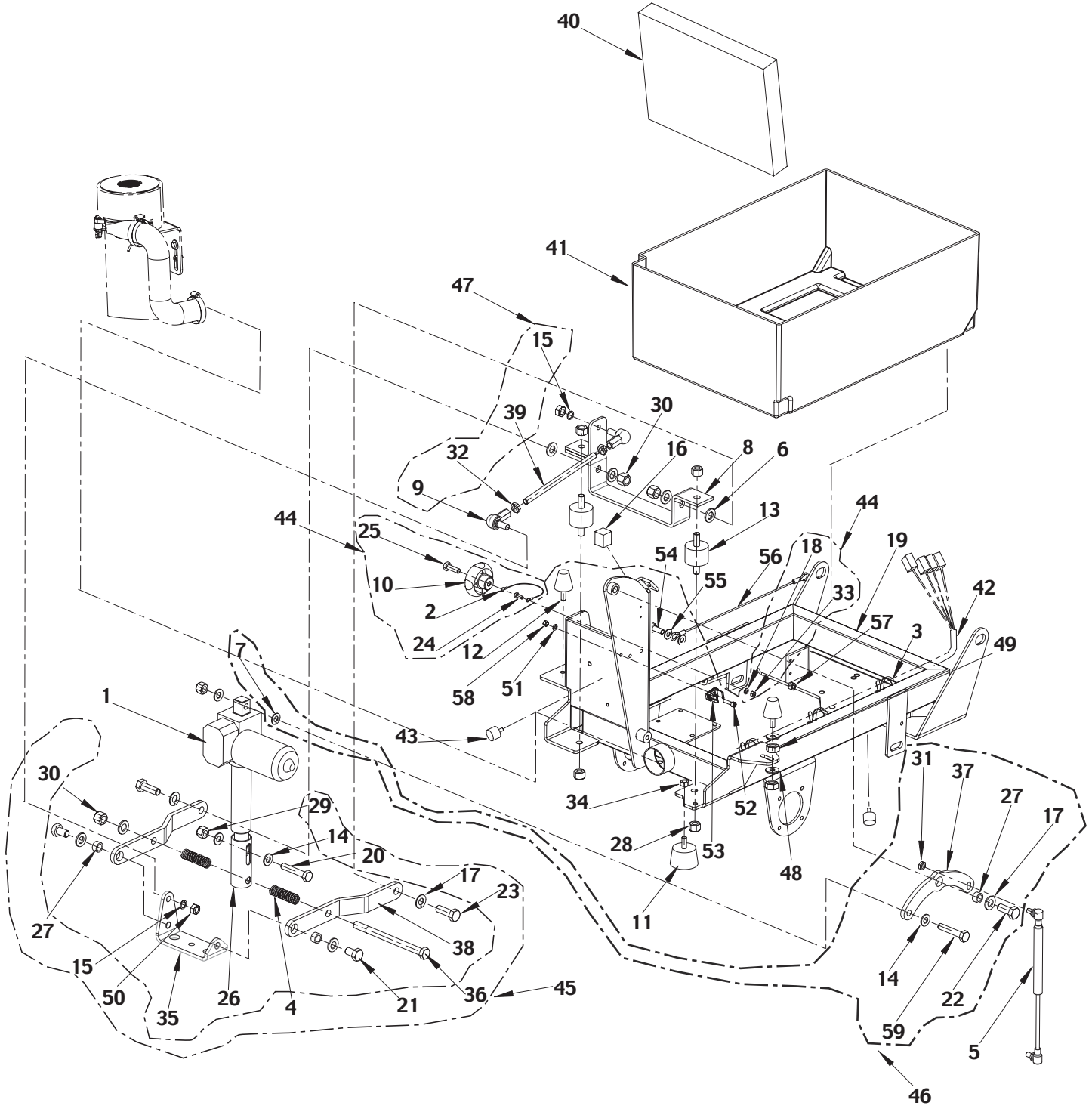
2006-01	SERBATOIO ACQUA SPORCA / RECOVERY TANK	BOOK E		
2004-12	BA 600S/ BA 650S/ BA 750S - BA 600SC/ BA 750SC	E	12.9.1	11

Pos Item Bild Rép	Codice Ref. No. Art. Nr. Réf. No	Q.tà Qty Menge Qté	Descrizione	Description	Beschreibung	Désignation
43	xxx xxxx xxx	3	Vite TECB 3,5x9,5 autofil.	Screw thd form 3,5x9,5	Schraube	Vis
44	909 5383 000	1	Kit coperchio motore aspirazione (2-7-14-43)	Motor,vacuum cover kit (2-7-14-43)	Saugmotor Deckung satz (2-7-14-43)	Kit couvercle moteur aspiration (2-7-14-43)
45	909 5384 000	1	Kit viteria fissaggio portag. (13-22-30)	Hardware kit (13-22-30)	Schrauben satz (13-22-30)	Kit vis (13-22-30)
46	909 5385 000	1	Kit fissaggio galleggiante (15-16-18-20-49-50)	Cage float fitting kit (15-16-18-20-49-50)	Schwimmer fixierung Satz (15-16-18-20-49-50)	Kit fixation flotteur (15-16-18-20-49-50)
47	909 5386 000	1	Kit fissaggio motore aspirazione (25-27-29-30-31-32-33-35-36-51)	Motor,vacuum fitting kit (25-27-29-30-31-32-33-35-36-51)	Saugmotor fixierung Satz (25-27-29-30-31-32-33-35-36-51)	Kit fixation moteur aspiration (25-27-29-30-31-32-33-35-36-51)
48	909 5387 000	1	Kit fissaggio serbatoi (39-40-41-42)	Tank, fitting kit (39-40-41-42)	Frishwassertank fixierung Satz (39-40-41-42)	Kit fixation reservoir (39-40-41-42)
48a	909 5919 000	1	Kit fissaggio serbatoi (39-40-41-42)	Tank, fitting kit (39-40-41-42)	Frishwassertank fixierung Satz (39-40-41-42)	Kit fixation reservoir (39-40-41-42)
49	145 9960 000	2	Dado M6 inox	Nut M6 SS	Mutter	Ecrou
50	145 4618 000	2	Dado M6 cieco inox	Nut blind M6 SS	Mutter	Ecrou
51	145 4512 000	1	Rondella grower 8	Washer 8	Beilagscheibe	Rondelle
52a#	L08602117	1	Tappo per coperchio serbatoio	Cap for tank cover	Pfropfen	Bouchon

19a: the kit 909 5911 000 has replaced 909 5239 000 - see TSB IT 2005-003

41a - 48a - 52a: see TSB IT 2005-003

BOOK E			GRUPPO TELAIO / CHASSIS SYSTEM	2006-01
E	12.9.1	12	BA 600S/ BA 650S/ BA 750S - BA 600SC/ BA 750SC	2004-12

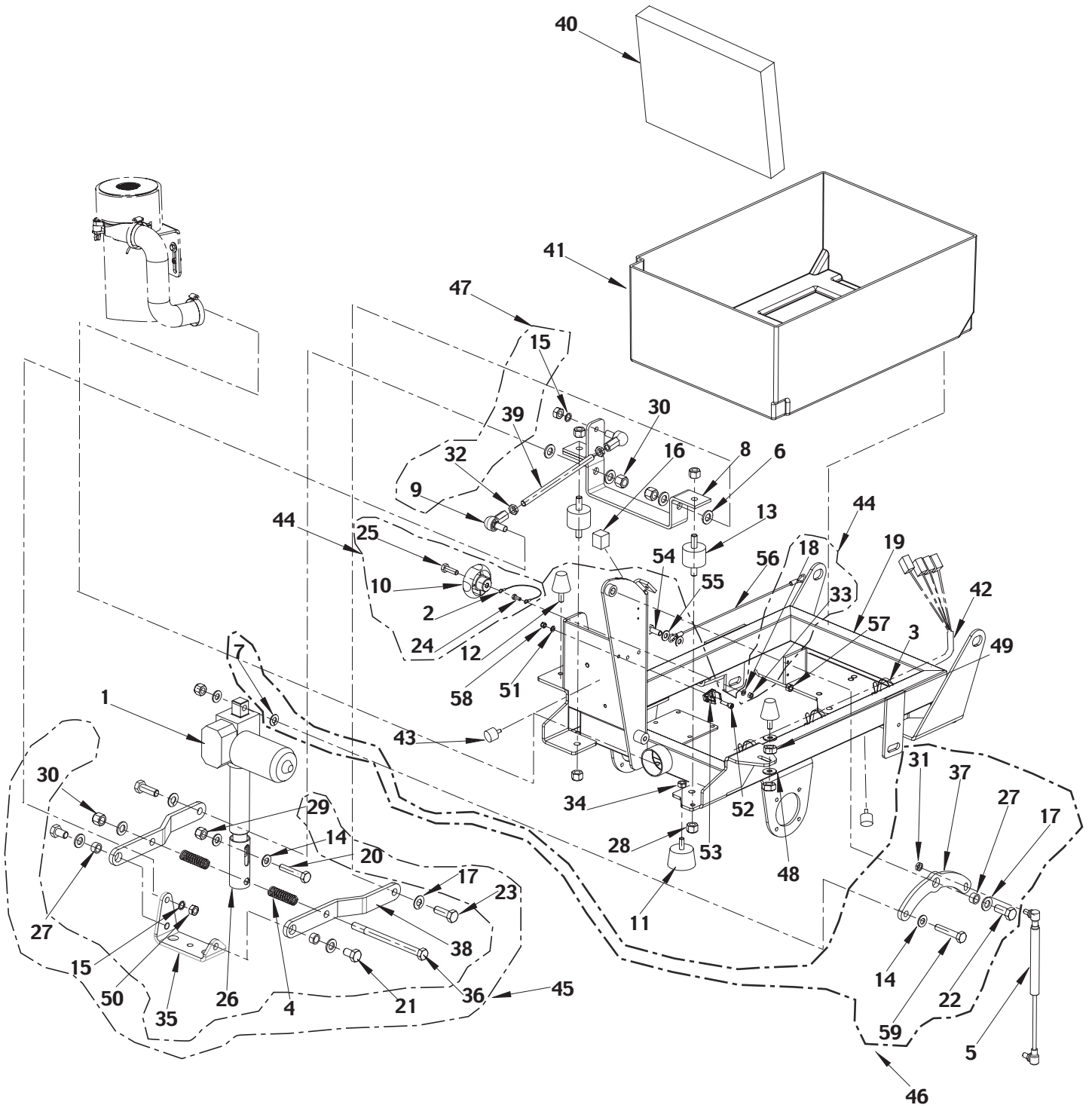


2006-01	GRUPPO TELAIO / CHASSIS SYSTEM	BOOK E		
2004-12	BA 600S/ BA 650S/ BA 750S - BA 600SC/ BA 750SC	E	12.9.1	13

Pos Item Bild Rép	Codice Ref. No. Art. Nr. Réf. No	Q.tà Qty Menge Qté	Descrizione	Description	Beschreibung	Désignation
1a	909 6032 000	1	Attuatore 24V	Jack motor 24V	Aktuator	Verrin
2	xxx xxxx xxx	1	Cavo acciaio di tenuta	Cable, stainless steel	Kabel Stahl	Cable
3	146 0987 000	3	Fascetta	Clamp	Passring	Collier
4	xxx xxxx xxx	2	Molla	Spring	Feder	Ressort
5	909 5193 000	1	Molla a gas	Spring	Feder	Verrin a gas
6	xxx xxxx xxx	2	Rondella	Washer	Beilagscheibe	Rondelle
7	909 5188 000	1	Rondella	Washer	Beilagscheibe	Rondelle
8	909 5186 000	1	Supporto	Support	Halter	Support
9	xxx xxxx xxx	2	Testa snodata M10	Head articulated M10	Gelenkkopf	Rotule
10	xxx xxxx xxx	1	Volantino	Handwheel	Handrad	Molette
11	145 8053 000	1	Antivibrante	Vibration dumping	Schwingungsdaempfer	Silent bloc
12	909 5182 000	2	Antivibrante	Vibration dumping	Schwingungsdaempfer	Silent bloc
13	145 4284 000	2	Antivibrante	Vibration dumping	Schwingungsdaempfer	Silent bloc
14	xxx xxxx xxx	2	Rondella 10x20	Washer	Beilagscheibe	Rondelle
15	xxx xxxx xxx	1	Rondella dentata M10	Washer	Beilagscheibe	Rondelle
16	xxx xxxx xxx	1	Connettore spazzole	Connector	Stecker	Prise
17	xxx xxxx xxx	5	Rondella piana 12x24	Washer	Beilagscheibe	Rondelle
18	xxx xxxx xxx	1	Rondella piana	Washer	Beilagscheibe	Rondelle
19	909 5164 000	1	Telaio	Chassis	Chassis	Chassis
20	xxx xxxx xxx	1	Vite TE M10x55	Screw hex hd M10x55	Schraube	Vis
21	xxx xxxx xxx	2	Vite TE M12x20	Screw hex hd M12x20	Schraube	Vis
22	xxx xxxx xxx	1	Vite TE M12x30	Screw hex hd M12x30	Schraube	Vis
23	xxx xxxx xxx	2	Vite TE M12x20	Screw hex hd M12x20	Schraube	Vis
24	xxx xxxx xxx	1	Vite TE M5x12	Screw hex hd M5x12	Schraube	Vis
25	xxx xxxx xxx	1	Vite TE M8x25	Screw hex hd M8x25	Schraube	Vis
26	909 5184 000	1	Tubo attuatore	Tube, jack motor	Schlauch	Tuyau
27	xxx xxxx xxx	2	Distanziale	Spacer	Abstandstueck	Entretoise
28	909 5194 000	4	Dado es. autobl. M10	Nut hex selflock M10	Mutter	Ecrou
29	xxx xxxx xxx	1	Dado es. autobl. M10	Nut hex selflock M10	Mutter	Ecrou
30#	L08601000	1	Dado es. autobl. M12	Nut hex selflock M12	Mutter	Ecrou
31	xxx xxxx xxx	1	Dado es. M8	Nut hex M8	Mutter	Ecrou
32	xxx xxxx xxx	2	Dado es. M10	Nut hex M10	Mutter	Ecrou
33	xxx xxxx xxx	1	Dado es. M5	Nut hex M5	Mutter	Ecrou
34#	L08084900	1	Dado es. M8	Nut hex M8	Mutter	Ecrou
35	909 5190 000	1	Staffa testata spazzola	Bracket	Buegel	Support
36	xxx xxxx xxx	1	Vite TE M12x160	Screw hex hd M12x160	Schraube	Vis
37	xxx xxxx xxx	1	Leva bilanciere	Lever	Hebel	Lever
38	909 5183 000	2	Leva	Lever	Hebel	Lever
39	xxx xxxx xxx	1	Barra filettata M10x185	Bar thd M10x185	Stange	Barre
40#	L08812670	5	Pannello	Panel	Panel	Panneau
41	909 5181 000	1	Contentore batterie	Battery container	Batterie Behaelter	Bac de batterie
42	909 5256 000	1	Cablaggio macchina	Harness machine	Masch.Kabelverbindung	Cablage du machine
43	146 1555 000	2	Antivibrante	Vibration damping	Schwingungsdaempfer	Silent bloc
44	909 5390 000	1	Kit volantino (2-10-18-24-25-33)	Handwheel kit (2-10-18-24-25-33)	Handrad satz (2-10-18-24-25-33)	Kit molette (2-10-18-24-25-33)
45	909 5391 000	1	Kit viti (4-17-14-15-21-23-27-29-30-36-50-59)	Hardware fixing kit (4-17-14-15-21-23-27-29-30-36-50-59)	Schrauben Satz (4-17-14-15-21-23-27-29-30-36-50-59)	Kit vis (4-17-14-15-21-23-27-29-30-36-50-59)
46	909 5392 000	1	Kit leva (7-14-17-20-22-27-31-37)	Lever kit (7-14-17-20-22-27-31-37)	Hebel Satz (7-14-17-20-22-27-31-37)	Kit levier (7-14-17-20-22-27-31-37)
47	909 5393 000	1	Kit barra filettata (9-15-32-39)	Bar thd kit (9-15-32-39)	Stange Satz (9-15-32-39)	Kit barre (9-15-32-39)
48	145 9120 000	2	Rondella 8x17	Washer 8x17	Beilagscheibe 8x17	Rondelle
49	145 4523 000	2	Dado M8 es. basso	Nut M8 hex low	Mutter M8	Ecrou

a: See TSB 2005-022

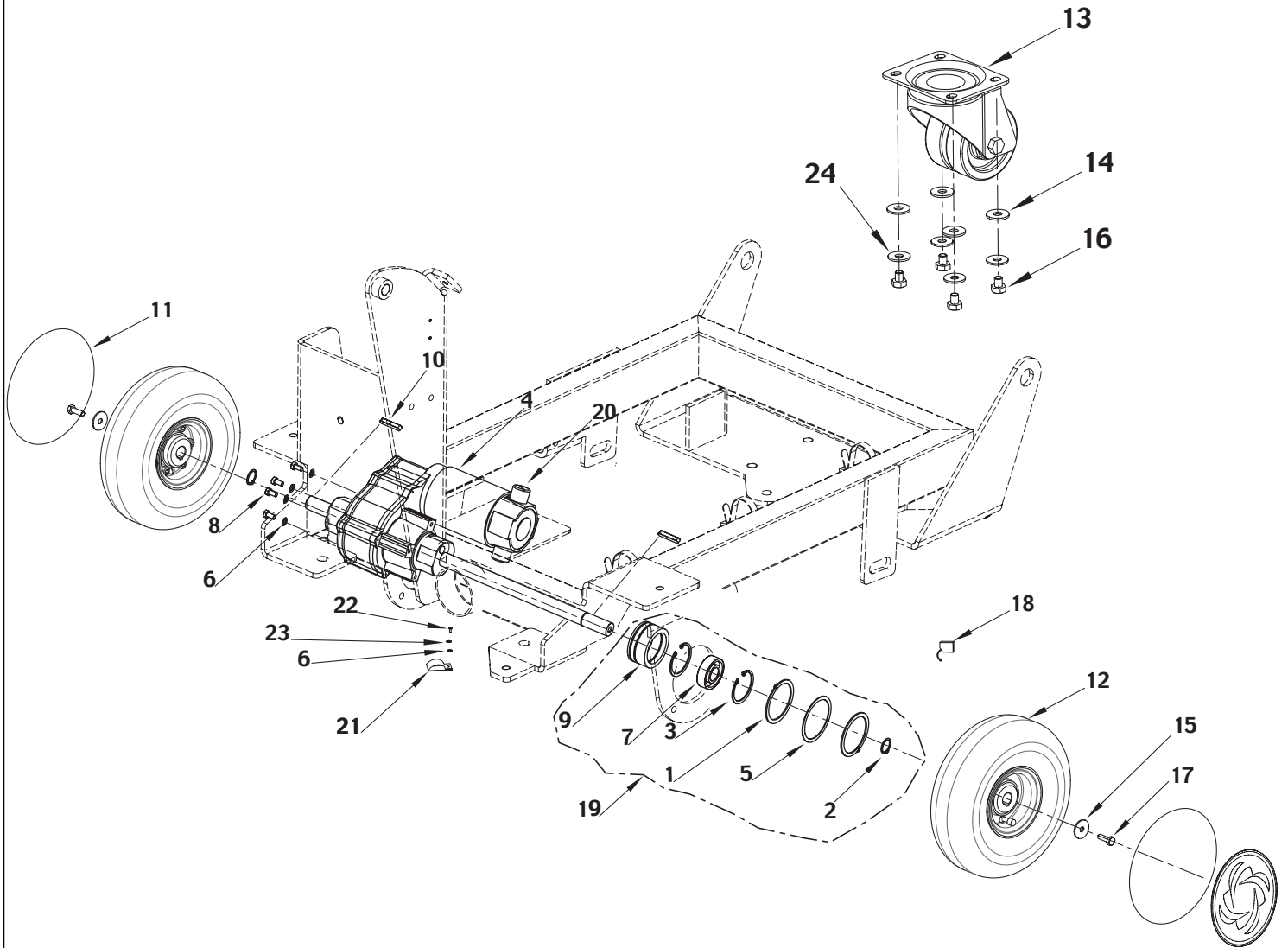
909 5320 000(3)2006-01



2006-01	GRUPPO TELAIO / CHASSIS SYSTEM	BOOK E		
2004-12	BA 600S/ BA 650S/ BA 750S - BA 600SC/ BA 750SC	E	12.9.1	15

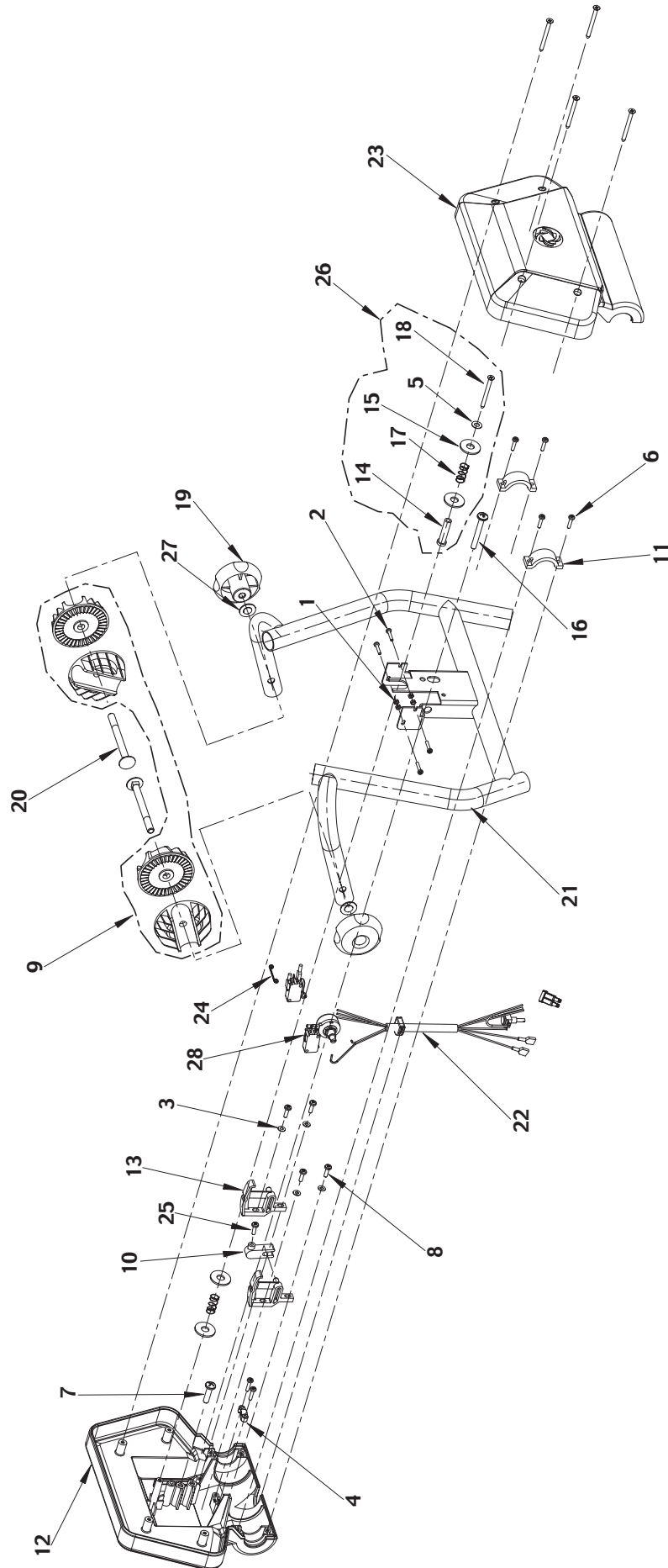
Pos Item Bild Rép	Codice Ref. No. Art. Nr. Réf. No	Q.tà Qty Menge Qté	Descrizione	Description	Beschreibung	Désignation
50#	L08081200	2	Dado es. M10	Nut hex M10	Mutter M10	Ecrou M10
51	145 9133 000	1	Rondella piana 5x10	Washer flat 5x10	Beilagscheibe 5x10	Rondelle 5x10
52	145 9669 000	1	Vite TCEI M5x20	Screw M5x20	Schraube M5x20	Vis M5x20
53	909 5804 000	1	Fissatubo a scatto ø16	Hose clamp ø16	Schelle ø16	Collier ø16
54	145 9170 000	1	Vite TE M8x20	Screw hex hd M8x20	Schraube M8x20	Vis M8x20
55#	L08085700	2	Rondella piana 8x17	Washer flat 8x17	Beilagscheibe 8x17	Rondelle 8x17
56	909 5891 000	1	Cavo ferma serbatoio	Cable tank block	Kabel	Cable
57#	L08299800	1	Dado e.basso autobl. M8	Nut hex low selflock M8	Mutter M8	Ecrou M8
58	L08603688	1	Dado e.basso autobl. M5	Nut hex low selflock M5	Mutter M5	Ecrou M5
59	145 1235 000	1	Vite TCEI M10x60	Screw M10x60	Schraube M10x60	Vis M10x60

a: See TSB 2005-022



2006-01	GRUPPO RUOTE E TRAZIONE / WHEELS AND TRACTION	BOOK E		
2004-12	BA 600S/ BA 650S/ BA 750S - BA 600SC/ BA 750SC	E	12.9.1	17

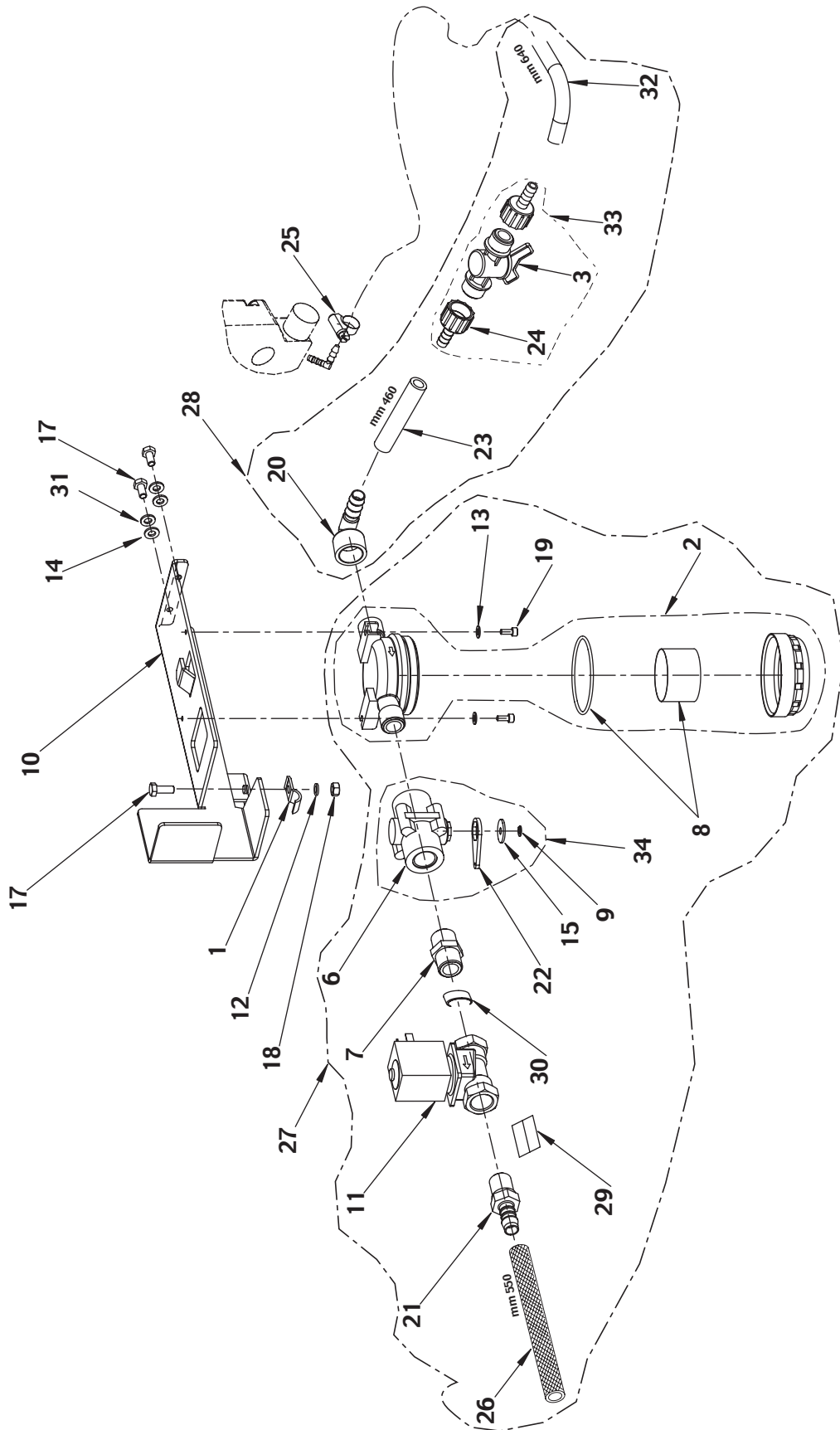
Pos Item Bild Rép	Codice Ref. No. Art. Nr. Réf. No	Q.tà Qty Menge Qté	Descrizione	Description	Beschreibung	Désignation
1	xxx xxxx xxx	2	Seeger E 60	Retaining ring	Sicherungsring	Circlips
2	xxx xxxx xxx	2	Seeger E 20	Retaining ring	Sicherungsring	Circlips
3	xxx xxxx xxx	2	Seeger I 47	Retaining ring	Sicherungsring	Circlips
4	909 5204 000	1	Motodifferenziale W200	Drive motor 24V W200	Motodifferential	Motodifferential
5	xxx xxxx xxx	1	Rondella ondulata	Washer	Beilagscheibe	Rondelle
6	145 9228 000	5	Rondella spaccata	Washer	Beilagscheibe	Rondelle
7	xxx xxxx xxx	1	Cuscinetto	Ball bearing	Lager	Roulement
8#	L08600757	4	Vite TE M6x16	Screw hex hd M6x16	Schraube	Vis
9	xxx xxxx xxx	1	Porta cuscinetti	Ballbearing holder	Halter	Support
10	145 9776 000	2	Chiavetta 6x6x35	Key 6x6x35	Keilnut	Clavette
11	909 5203 000	2	Copricerchio	Rim cover	Felgeschutz	Couvrejante
12	909 5201 000	2	Ruota ant. schiumata	Wheel front	Rad vorne	Roue avant
12*	909 5512 000	2	Ruota ant.antiolio	Oil resistant trac. wheel	Oelschutz Rad	Roue avant
13	909 5202 000	1	Ruota post.gemellata	Wheel rear	Rad hinten	Roue arriere
13*	909 5511 000	1	Ruota posteriore pivoettante	Softer pivoting rear wheel	Rad hinten	Roue arriere
14	145 4505 000	4	Rondella piana	Washer flat	Beilagscheibe	Rondelle
15	145 9171 000	2	Rondella piana	Washer flat	Beilagscheibe	Rondelle
16	909 5888 000	4	Vite TE M10x12	Screw hex hd M10x12	Schraube	Vis
17	145 9116 000	2	Vite TE M8x25	Screw hex hd M8x25	Schraube	Vis
18	145 5124 000	2	Carboncino motodif.	Carbon brush	Kohlenbuerste	Charbons
19	909 5388 000	1	Kit cuscinetto motodif. (1-2-3-5-7-9)	Ball bearing kit (1-2-3- 5-7-9)	Lager Satz (1-2-3-5-7-9)	Kit roulement (1-2-3- 5-7-9)
20	909 5403 000	2	Calotta porta spazzole	Holder, carbon brush	Halter,Kohlenbuerste	Support charbons
21	909 5516 000	1	Fascetta fermatubo ø18	Cable clamp ø18	Schelle ø18	Collier ø18
22	145 9261 000	1	Vite TE M6x16	Screw hex hd M6x16	Schraube M6x16	Vis M6x16
23	145 9229 000	1	Rondella piana 6x18	Washer flat 6x18	Beilagscheibe 6x18	Rondelle 6x18
24	145 4556 000	4	Rondella dentata	Washer	Beilagscheibe	Rondelle



2006-01	GRUPPO MANIGLIONE / HANDLE ASSEMBLY	BOOK E		
2004-12	BA 600S/ BA 650S/ BA 750S - BA 600SC/ BA 750SC	E	12.9.1	19

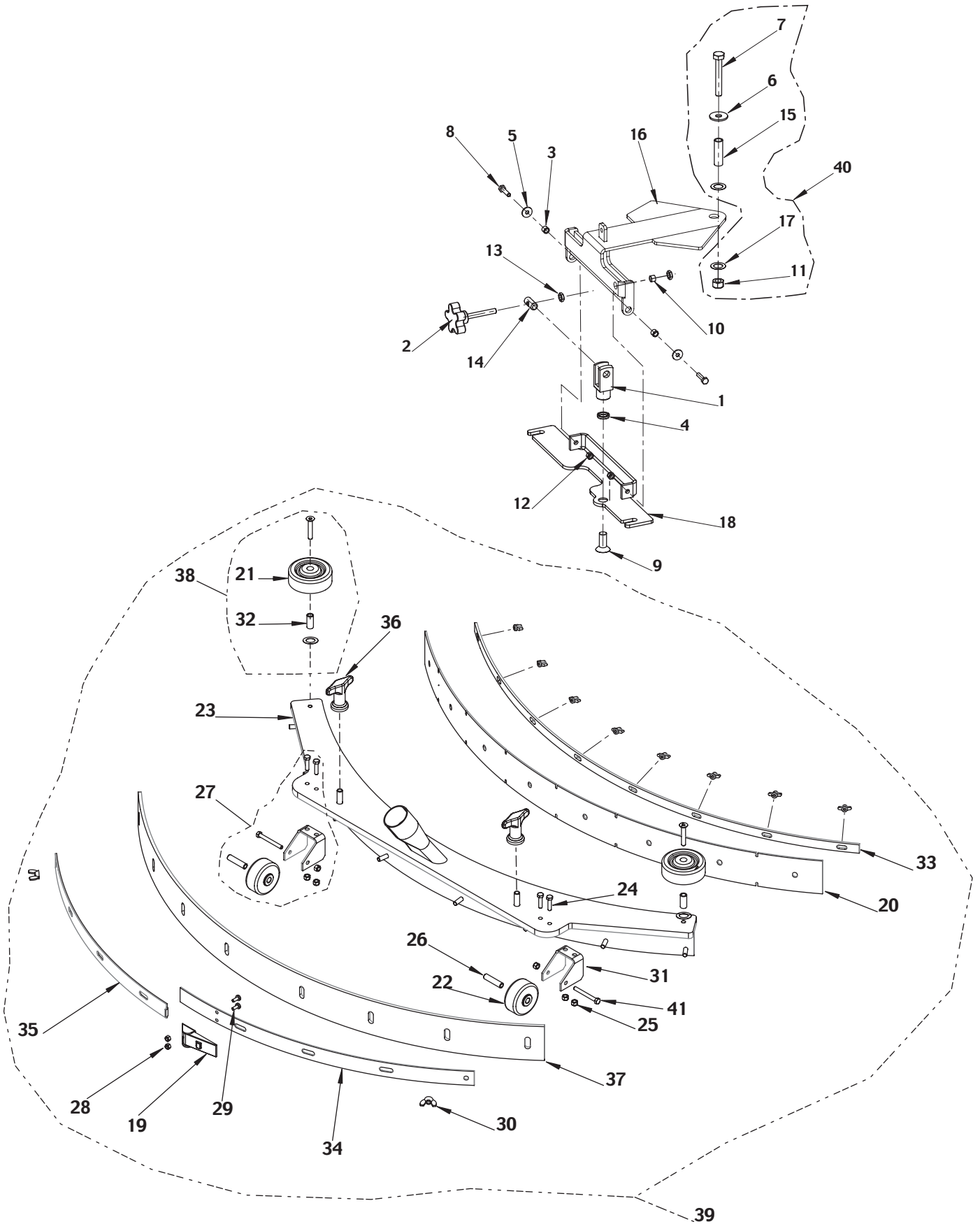
Pos Item Bild Rép	Codice Ref. No. Art. Nr. Réf. No	Q.tà Qty Menge Qté	Descrizione	Description	Beschreibung	Désignation
1#	L08048300	4	Dado es.M3	Nut hex. M3	Mutter	Ecrou
2#	L08093600	4	Vite TCCI M3x16	Washer cheese hd M3x16	Beilagscheibe	Rondelle
3#	L08200800	4	Rondella piana 4x9 inox	Washer flat 4x9 SS	Beilagscheibe	Rondelle
4#	L08600168	1	Blochetto fissaggio cavi	Cable fixing block	Kabelblock	Cavalier
5	xxx xxxx xxx	1	Rondella piana 6x12,5	Washer flat 6x12,5	Beilagscheibe	Rondelle
6#	L08603192	6	Vite TCTC 3,6x16 autofil.	Screw pan hd 3,6x16 thd form	Schraube	Vis
7#	L08603377	1	Vite TCTC 6x25 autofil.	Screw pan hd 6x25 thd form	Schraube	Vis
8#	L08603668	4	Vite TCTC 4x14 autofil.	Screw pan hd 4x14 thd form	Schraube	Vis
9#	909 5099 000	1	Kit regolatore maniglione	Ratchet handle adjuster kit	Regler satz	Kit regulateur marche
10a	909 6038 000	1	Biella potenziometro	Rod, potentiometer	Pleuelstange	Bielle
11#	L08812279	2	Collare per maniglione	Collar	Bundring	Bride
12#	L08812280	1	Coperchio plancia inferiore	Switch housing rear	Schaltergehäuse hinten	Boite interrupt.arriere
13#	L08812282	2	Camma per microinterruttore	Cam, microswitch handle	Daumen	Microswitch
14	xxx xxxx xxx	1	Distanziale comando trazione	Bushing, drive control	Abstandstueck	Entretoise
15	xxx xxxx xxx	4	Rondella piana 9x25 nylon	Washer flat 9x25 nylon	Beilagscheibe	Rondelle
16#	L08812341	1	Vite TBTC 6x50 autofilettante	Screw w/dome 6x50 thd f.	Schraube	Vis
17	xxx xxxx xxx	2	Molla comando trazione	Spring, drive control	Feder	Ressort
18	xxx xxxx xxx	5	Vite TSPTC 4,2x50 autofil.	Screw counters.hd 4,2x50	Schraube	Vis
19	146 1852 000	2	Volantino	Handwheel	Handrad	Molette
20	146 1672 000	2	Vite TTLQS M8x85	Screw M8x85	Schraube	Vis
21	909 5211 000	1	Maniglione comando	Handle bar	Fuehrungsbuegel	Manche de conduite
22	909 5212 000	1	Cablaggio trazione	Harness, traction	Antriebskabelverbindung	Cablage traction
23	909 5213 000	1	Coperchio plancia superiore	Switch housing front	Schaltergehäuse vorne	Boite interrupt.avant
24#	L08812377	2	Contatto per microinterruttore	Contact for microswitch	Kontakt	Contact
25#	L08604077	1	Vite TCTC M4x10	Screw pan hd phil M4x10	Schraube	Vis
26	909 5389 000	1	Kit viteria (5-14-15-17- 18)	Hardware kit (5-14-15- 17-18)	Schrauben Satz (5-14- 15-17-18)	Kit vis (5-14-15-17-18)
27	145 9120 000	2	Rondella piana	Washer flat	Beilagscheibe	Rondelle
28#	L08812580	2	Microinterruttore	Microswitch	Mikroschalter	Microinterrupteur

a: See TSB 2005-024



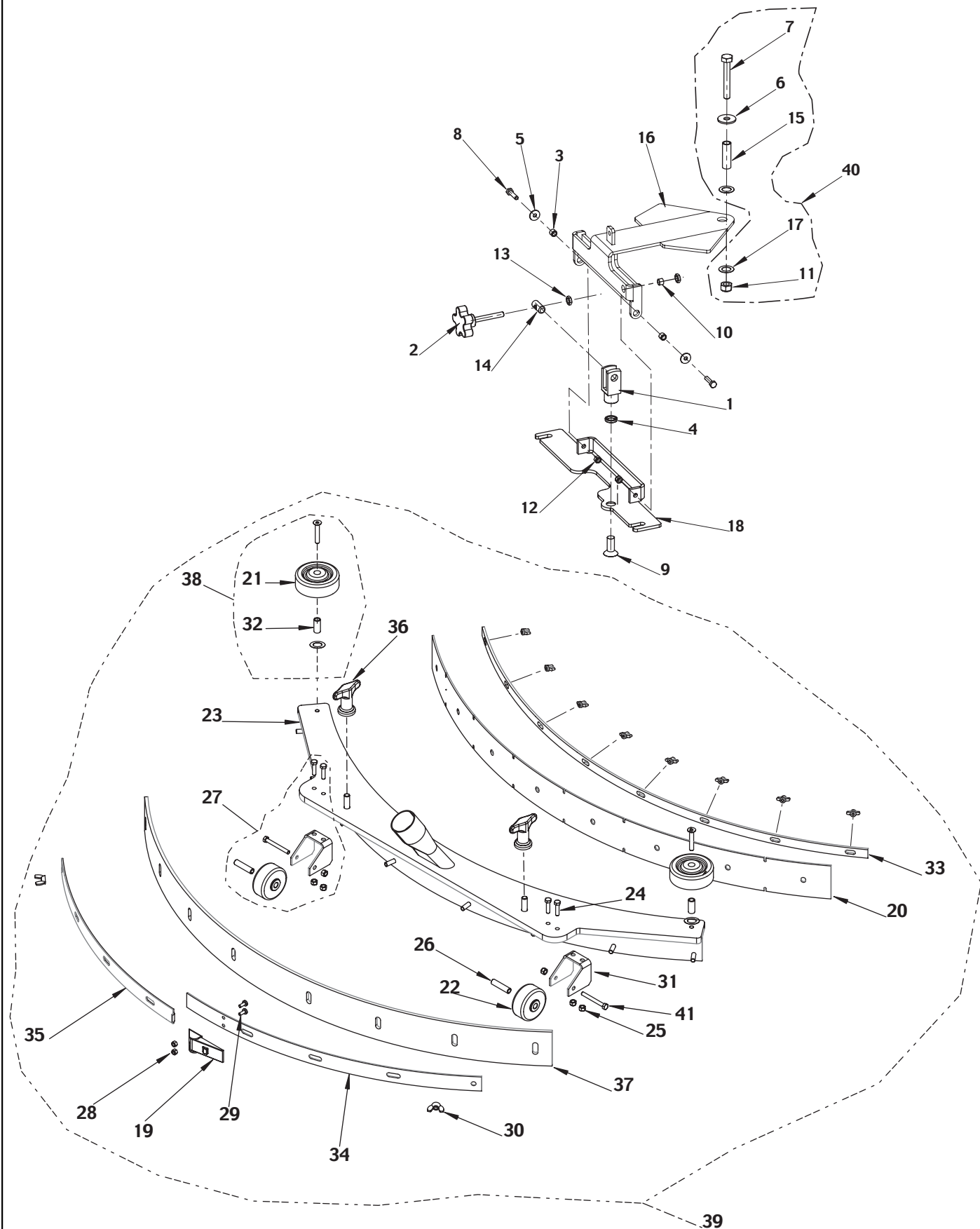
2006-01	GRUPPO ELETTROVALVOLA / SOLUTION SYSTEM	BOOK E		
2004-12	BA 600S/ BA 650S/ BA 750S - BA 600SC/ BA 750SC	E	12.9.1	21

Pos Item Bild Rép	Codice Ref. No. Art. Nr. Réf. No	Q.tà Qty Menge Qté	Descrizione	Description	Beschreibung	Désignation
1#	L08812352	1	Cavallotto fermacavo	Clamp	Verbindungsbruecke	Etrier
2	909 5207 000	1	Filtro acqua	Water filter	Wasser filter	Filtre eau
3	xxx xxxx xxx	1	Rubinetto	Valve	Hahn	Robinet
6	xxx xxxx xxx	1	Rubinetto 1/2 FF	Valve	Hahn	Robinet
7	xxx xxxx xxx	1	Nipplo 1/2-1/2 MM nylon	Nipple	Nippel	Raccord du tuyau
8	909 5215 000	1	Rete filtro e guarnizione	Net, water filter and gasket	Nezt mit Dichtung	Grillage et joint
9	xxx xxxx xxx	1	Rondella e.spaccata 5	Washer split 5	Beilagscheibe	Rondelle
10	909 5210 000	1	Supporto elettrovalvola	Support, solenoid valve	Halter	Support
11	909 6319 000	1	Elettrovalvola 24V	Solenoid valve 24V	Elektroventil	Electrovalve
12	145 9233 000	1	Rondella dentata ø6	Washer	Beilagscheibe	Rondelle
13	xxx xxxx xxx	2	Rondella piana 5x10	Washer flat 5x10	Beilagscheibe	Rondelle
14	145 9128 000	2	Rondella piana 6x12,5	Washer flat 6x12,5	Beilagscheibe	Rondelle
15	xxx xxxx xxx	1	Rondella piana 5x20 zn	Washer flat 5x20	Beilagscheibe	Rondelle
17	145 9261 000	3	Vite TE M6x16	Screw hex hd M6x16	Schraube	Vis
18#	L08091200	1	Dado e. M6	Nut hex M6	Mutter	Ecrou
19	xxx xxxx xxx	2	Vite TCTC M4x8 inox	Screw hd M4x8 SS	Schraube	Vis
20	xxx xxxx xxx	1	Portagomma F 1/2-90°	Pipe holder female 1/2 - 90°	Gummihalter	Raccord
21	xxx xxxx xxx	1	Portagomma diritto M 1/2	Pipe holder straight male 1/2	Gummihalter	Raccord
22	xxx xxxx xxx	1	Leva rubinetto	Lever	Hebel	Lever
23	xxx xxxx xxx	1	Tubo retinato ø10 L=460 mm	Hose ø10 length 460 mm	Schlauch ø10	Tuyau
24	xxx xxxx xxx	2	Portagomma ø11	Pipe holder ø11	Gummihalter	Raccord
25	xxx xxxx xxx	2	Fascetta 8/9 -16 minus	Clamp	Schelle	Collier
26	xxx xxxx xxx	1	Tubo retin. ø10 L=550 mm	Hose ø10 length 550 mm	Schlauch ø10	Tuyau
27	909 5394 000	1	Kit elettrovalvola completo (2-6-7-8-9-11-13-15-19-21-22-26-29-30)	Solenoid valve kit (2-6-7-8-9-11-13-15-19-21-22-26-29-30)	Elektroventil Satz (2-6-7-8-9-11-13-15-19-21-22-26-29-30)	Kit electrovalve (2-6-7-8-9-11-13-15-19-21-22-26-29-30)
28	909 5395 000	1	Kit rubinetto (3-20-23-24)	Kit valve complete (3-20-23-24)	Kit Hahn (3-20-23-24)	Kit robinet (3-20-23-24)
29	909 5523 000	1	Guarnizione adesiva	Gasket	Dichtung	Joint
30#	L08812587	1	Fascetta 4,8x430	Clamp 4,8x430	Schelle 4,8x430	Fascetta 4,8x430
31	145 9228 000	2	Rondella e. spaccata 6	Washer split 6	Beilagscheibe 6	Rondella e. spaccata 6
32	909 5622 000	1	Tubo retin. ø10 L=640 mm	Hose ø10 L=640 mm	Schlauch ø10 L=640 mm	Tubo retin. ø10 L=640 mm
33	909 5787 000	1	Kit rubinetto con portagomma	Kit valve with pipe holder	Gummihalter mit Hahn Satz	Kit robinet avec raccord
34	909 6046 000	1	Kit rubinetto (6 - 9 - 15 - 22)	Kit valve (6 - 9 - 15 - 22)	Kit Hahn (6 - 9 - 15 - 22)	Kit robinet (6 - 9 - 15 - 22)



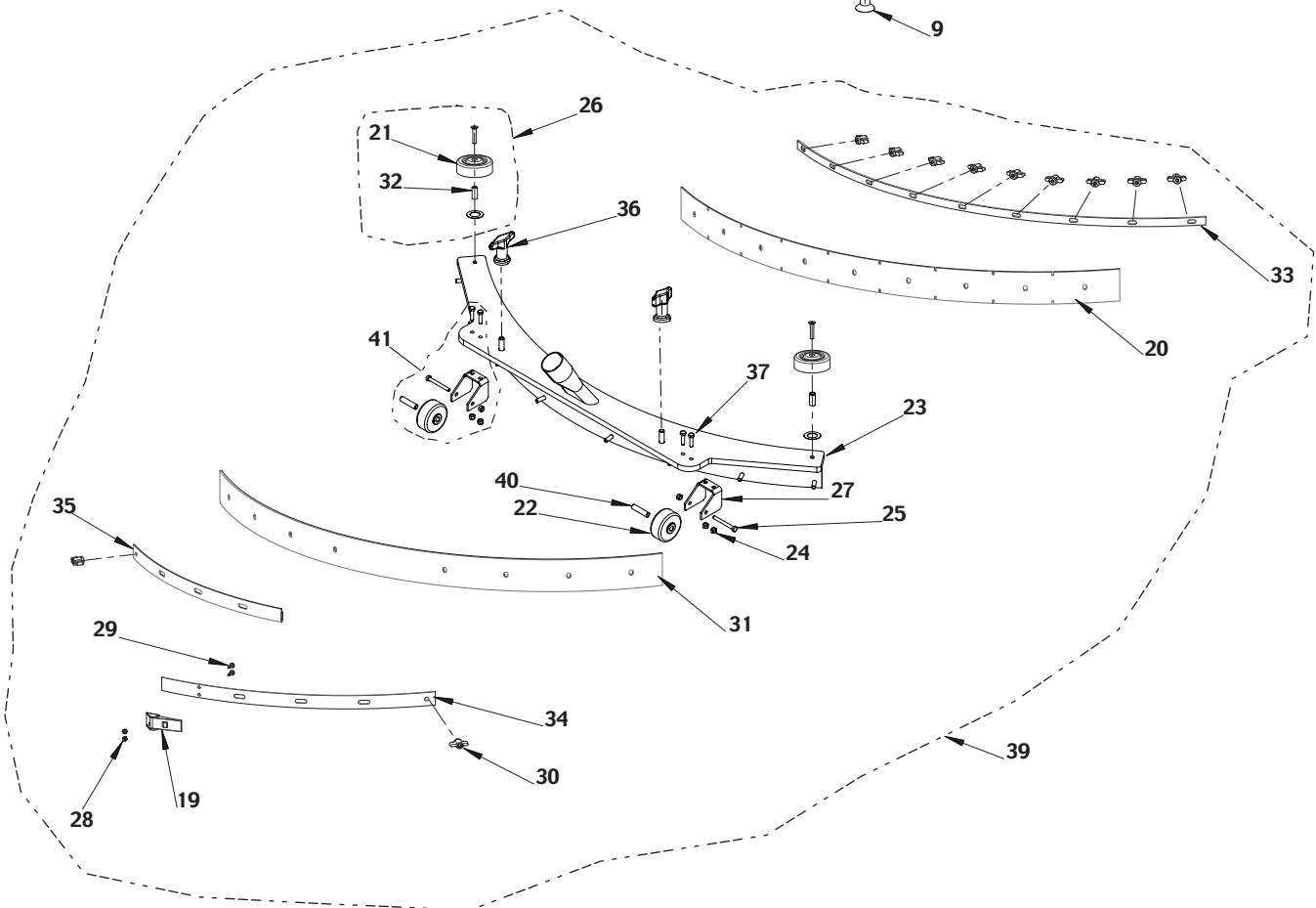
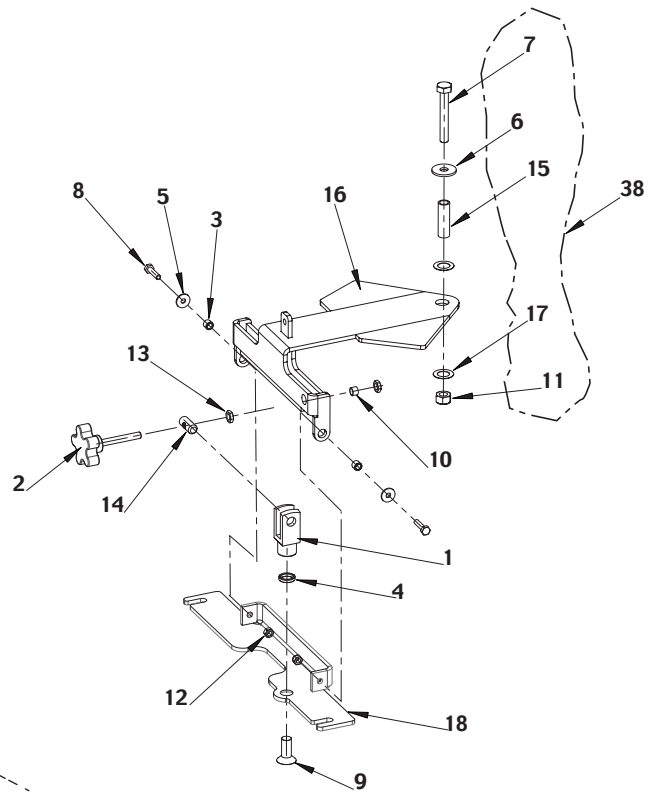
2006-01	GRUPPO TERGITORE / SQUEEGEE SYSTEM	BOOK E		
2004-12	BA 600S/ BA 650S - BA 600SC	E	12.9.1	23

Pos Item Bild Rép	Codice Ref. No. Art. Nr. Réf. No	Q.tà Qty Menge Qté	Descrizione	Description	Beschreibung	Désignation
1	909 5218 000	1	Forcella M12 plastica	Fork	Gabelstueck	Fourchette
2#	L08601574	1	Volantino M8x55	Handwheel M8x55	Handrad	Molette
3#	L08601854	2	Distanziale ø7xø10x8	Spacer ø7xø10x8	Abstandstueck	Entretoise
4	146 1232 000	1	Distanziale ø15xø20x4	Spacer ø15xø20x4	Abstandstueck	Entretoise
5#	L08228600	2	Rondella piana 6x18	Washer flat 6x18	Beilagscheibe	Rondelle
6	xxx xxxx xxx	1	Rondella piana 10x30	Washer flat 10x30	Beilagscheibe	Rondelle
7	xxx xxxx xxx	1	Vite TE M10x70	Screw hex hd M10x70	Schraube	Vis
8#	L08232600	2	Vite TE M6x25	Screw hex hd M6x25	Schraube	Vis
9	146 1498 000	1	Vite TSPEI M12x30	Screw M12x30	Schraube	Vis
10#	L08602422	1	Distanziale ø8xø10x7	Spacer ø8xø10x7	Abstandstueck	Entretoise
11	xxx xxxx xxx	1	Dado es.basso M10 autob	Nut hex low M10 selflock	Mutter	Ecrou
12#	L08361400	2	Dado es.basso M6 autobl.	Nut hex low M6 selflock.	Mutter	Ecrou
13#	L08600317	2	Dado es.basso M8	Nut hex low M8	Mutter	Ecrou
14#	L08601509	1	Perno supporto tergiture	Pin, squeegee support	Stift	Axe
15	xxx xxxx xxx	1	Distanziale ø10,4xø14x45	Bushing ø10,4xø14x45	Abstandstueck	Entretoise
16	909 5216 000	1	Piastra supporto tergiture	Plate, squeegee support	Platte	Plaque
17	xxx xxxx xxx	2	Rondella piana 15x25 nylon	Washer flat 15x25 nylon	Beilagscheibe	Rondelle
18	909 5217 000	1	Supporto tergiture	Squeegee support	Halter	Support
19#	L08603664	1	Gancio per tergiture	Latch	Haken	Crochet
20#	L08603830	1	Gomma tergiture anteriore	Blade front	Sauglippe vorne	Bavette embouchure avant
20*	909 5629 000	1	Gomma terg.ant. antitraccia	Non marking front blade	Spurlose Sauglippe vorne	Bavette em.non marquante
21#	L08602460	2	Ruota paracolpi	Roller bumper	Abweisrolle	Deflecteur
22#	L08603665	2	Ruota tergiture	Squeegee wheel	Saugduesenrad	Roue embouchure
23	909 5294 000	1	Corpo tergiture	Weldment squeegee tool	Saugduesenkoerper	Corps embouchure
24#	L08603687	4	Vite TE M5x20 inox	Screw hex hd M5x20 SS	Schraube	Vis
25#	L08603688	6	Dado e.basso autobl. M5 inox	Nut hex self lock M5 SS	Mutter	Ecrou
26#	L08812948	2	Distanziale ruota tergiture	Spacer, squeegee wheel	Abstandstueck	Entretoise
27#	L08603879	1	Kit ruota tergiture	Kit squeegee wheel	Saugduesenrad Satz	Kit roue embouchure
28#	L08603685	2	Dado e.basso autobl. M4 inox	Nut hex self lock M4 SS	Mutter	Ecrou
29#	L08603684	2	Vite TCTC M4x10 inox	Screw M4x10 SS	Schraube	Vis
30	145 0461 000	10	Galletto di fissaggio M6	Wing nut M6	Fluegelmutter	Ecrou a papillon
31#	L08603666	2	Supporto ruota tergiture	Bracket squeegee wheel	Saugduesenrad Halter	Support roue embouchure
32#	L08812937	2	Distanziale	Spacer ø6,3xø9,5x21	Abstandstueck	Entretoise
33#	L08603831	1	Bandella gomma anteriore	Strap front	Leiste vorne	Longeron avant
34#	L08603834	1	Bandella gomma post.dx	Strap right rear	Leiste hinten rechts	Longeron arriere droite
35#	L08603833	1	Bandella gomma post.sx	Strap left rear	Leiste hinten links	Longeron arriere gauche
36#	L08603675	2	Volantino di fissaggio tergiture	Thumb nut squeegee fixing	Fluegelmutter	Ecrou a papillon
37#	L08603832	1	Gomma tergiture posteriore	Blade rear	Sauglippe hinten	Bavette embouchure arriere
38#	L08603880	1	Kit ruota paracolpi	Kit squeegee bumper roller	Abweisrolle Satz	Kit deflecteur



2006-01	GRUPPO TERGITORE / SQUEEGEE SYSTEM	BOOK E		
2004-12	BA 600S/ BA 650S - BA 600SC	E	12.9.1	25

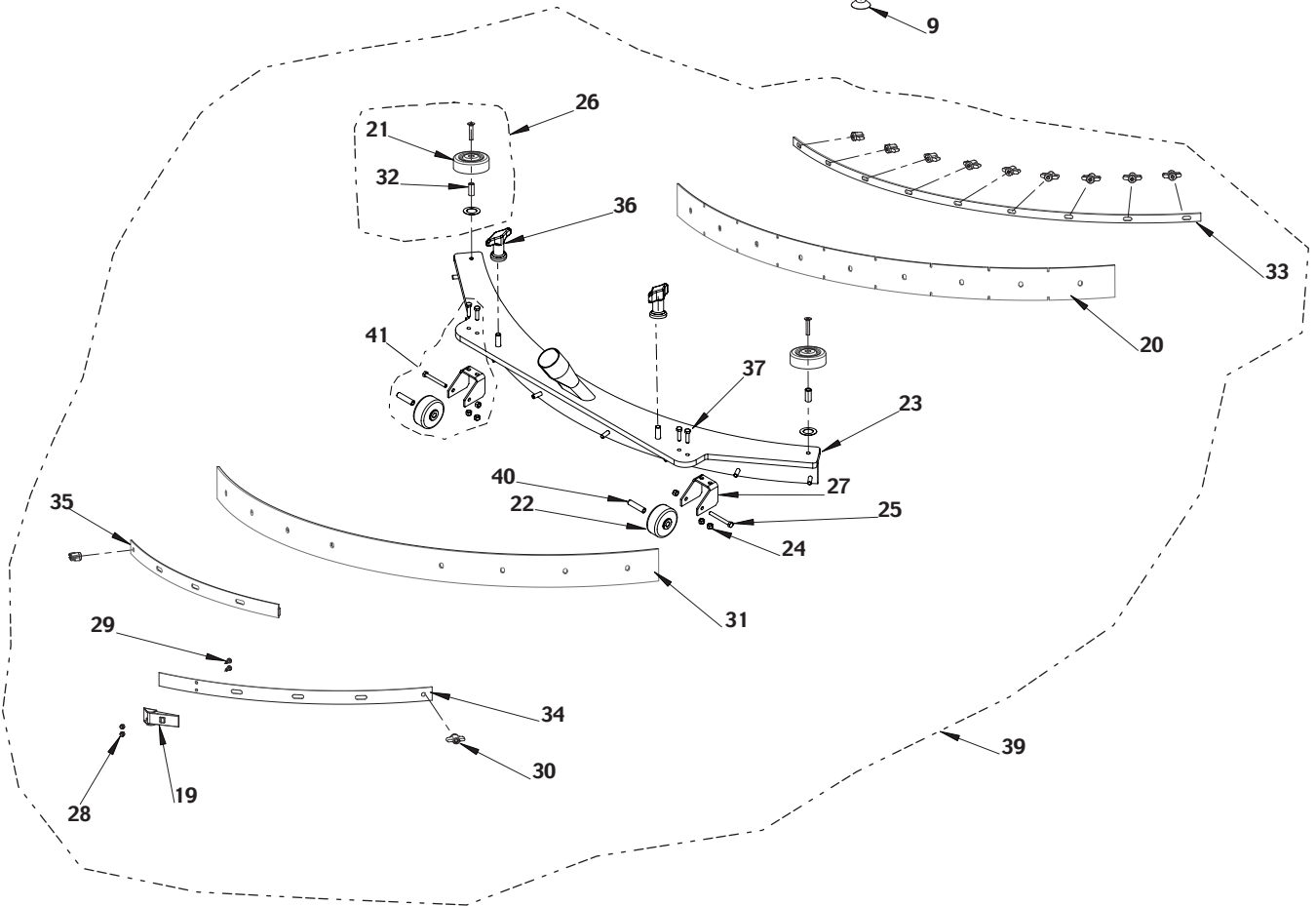
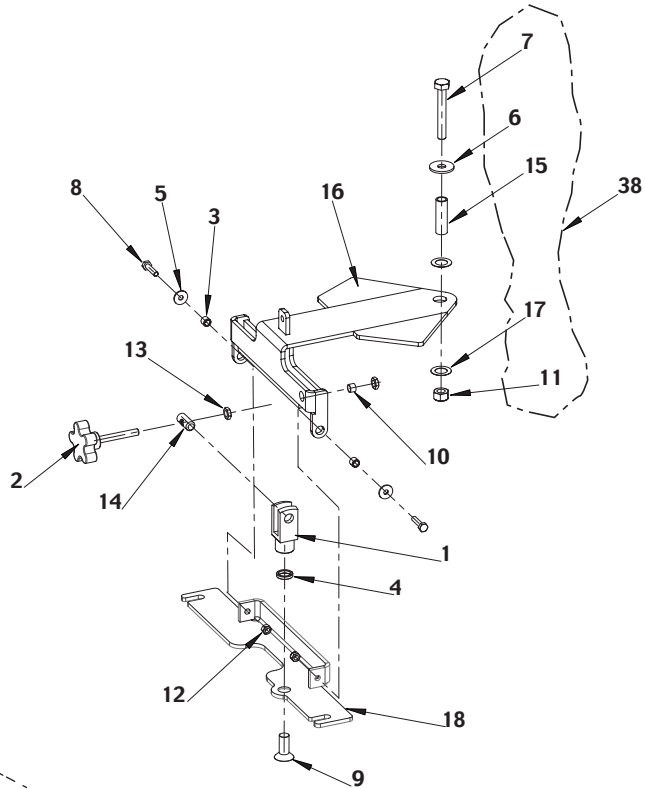
Pos Item Bild Rép	Codice Ref. No. Art. Nr. Réf. No	Q.tà Qty Menge Qté	Descrizione	Description	Beschreibung	Désignation
39	909 5372 000	1	Kit tergiture BA 600-650	Kit squeegee BA 600-650	Saugduesen Satz BA600-650	Kit embouchure BA 600-650
40	909 5396 000	1	Kit viti supporto tergiture (6-7-11-15-17)	Hardware squeegee holder kit (6-7-11-15-17)	Saugduesen Halter Satz (6-7-11-15-17)	Kit vis support embouchure (6-7-11-15-17)
41#	L08603896	2	Vite TE M5X45 inox	Screw hex. hd M5X45 SS	Schraube	Vis
0*#	L08603973	1	Kit gomme antiolio 600-650	Blades oil resistant kit 600-650	Sauglippen oelschutz Satz	Kit bavette hydrocarbure



2006-01	GRUPPO TERGITORE / SQUEEGEE SYSTEM	BOOK E		
2004-12	BA 750S - BA 750SC	E	12.9.1	27

Pos Item Bild Rép	Codice Ref. No. Art. Nr. Réf. No	Q.tà Qty Menge Qté	Descrizione	Description	Beschreibung	Désignation
1	909 5218 000	1	Forcella M12 plastica	Fork	Gabelstueck	Fourchette
2#	L08601574	1	Volantino M8x55	Handwheel M8x55	Handrad	Molette
3#	L08601854	2	Distanziale ø7xø10x8	Spacer ø7xø10x8	Abstandstueck	Entretoise
4	146 1232 000	1	Distanziale ø15xø20x4	Spacer ø15xø20x4	Abstandstueck	Entretoise
5#	L08228600	2	Rondella piana 6x18	Washer flat 6x18	Beilagscheibe	Rondelle
6	xxx xxxx xxx	1	Rondella piana 10x30	Washer flat 10x30	Beilagscheibe	Rondelle
7	xxx xxxx xxx	1	Vite TE M10x70	Screw hex hd M10x70	Schraube	Vis
8#	L08232600	2	Vite TE M6x25	Screw hex hd M6x25	Schraube	Vis
9	146 1498 000	1	Vite TSPEI M12x30	Screw M12x30	Schraube	Vis
10#	L08602422	1	Distanziale ø8xø10x7	Spacer ø8xø10x7	Abstandstueck	Entretoise
11	xxx xxxx xxx	1	Dado es.basso M10 autob	Nut hex low M10 selflock	Mutter	Ecrou
12#	L08361400	2	Dado es.basso M6 autobl.	Nut hex low M6 selflock.	Mutter	Ecrou
13#	L08600317	2	Dado es.basso M8	Nut hex low M8	Mutter	Ecrou
14#	L08601509	1	Perno supporto tergitoro	Pin, squeegee support	Stift	Axe
15	xxx xxxx xxx	1	Distanziale ø10,4xø14x45	Bushing ø10,4xø14x45	Abstandstueck	Entretoise
16	909 5216 000	1	Piastra supporto tergitoro	Plate, squeegee support	Platte	Plaque
17	xxx xxxx xxx	2	Rondella piana 15x25 nylon	Washer flat 15x25 nylon	Beilagscheibe	Rondelle
18	909 5217 000	1	Supporto tergitoro	Squeegee support	Halter	Support
19#	L08603664	1	Gancio per tergitoro	Latch	Haken	Crochet
20	909 5348 000	1	Gomma tergitoro anteriore	Blade front	Sauglippe vorne	Bavette embouchure avant
20*	909 5513 000	1	Gomma terg.ant. antitraccia	Non marking front blade	Spurlose Sauglippe vorne	Bavette embouchure non marquante
21#	L08602460	2	Ruota paracolpi	Roller bumper	Abweisrolle	Deflecteur
22#	L08603665	2	Ruota tergitoro	Squeegee wheel	Saugduesenrad	Roue embouchure
23a	909 5490 000	1	Corpo tergitoro	Weldment squeegee tool	Saugduesenkoerper	Corps embouchure
23b#	909 5487 000	1	Corpo tergitoro	Weldment squeegee tool	Saugduesenkoerper	Corps embouchure
24#	L08603688	6	Dado e. basso autoblocc M5 inox	Nut hex low selflock. M5 SS	Mutter	Ecrou
25#	L08603896	2	Vite TE M5x45 inox	Screw hex hd M5x45 SS	Schraube	Vis
26#	L08603880	1	Kit ruota paracolpi tergitoro	Kit squeegee bumper roller	Abweisroller Satz	Kit deflecteur
27#	L08603666	2	Supporto ruota tergitoro	Bracket squeegee wheel	Saugduesenrad Halter	Support roue embouchure
28#	L08603685	2	Dado e.basso autobl. M4 inox	Nut hex self lock M4 SS	Mutter	Ecrou
29#	L08603684	2	Vite TCTC M4x10 inox	Screw pan phil M4x10 SS	Schraube	Vis
30	145 0461 000	11	Galletto di fissaggio M6	Wing nut M6	Fluegelmutter	Ecrou a papillon
31	909 5350 000	1	Gomma tergitoro posteriore	Blade rear	Sauglippe hinten	Bavette embouchure arriere
32#	L08812937	2	Distanziale ø6,3xø9,5x21	Spacer ø6,3xø9,5x21	Abstandstueck	Entretoise
33	909 5349 000	1	Bandella gomma anteriore	Strap front	Leiste vorne	Longeron avant
34	909 5352 000	1	Bandella gomma post. dx	Strap right rear	Leiste hinten rechts	Longeron arriere droite

a: before serial number 04120334
b: after serial number 04120334



2006-01	GRUPPO TERGITORE / SQUEEGEE SYSTEM	BOOK E		
2004-12	BA 750S - BA 750SC	E	12.9.1	29

Pos Item Bild Rép	Codice Ref. No. Art. Nr. Réf. No	Q.tà Qty Menge Qté	Descrizione	Description	Beschreibung	Désignation
35	909 5351 000	1	Bandella gomma post. sx	Strap left rear	Leiste hinten links	Longeron arriere gauche
36#	L08603675	2	Volantino di fissaggio tergitore	Thumb nut squeegee fixing	Fluegelmutter	Ecrou a papillon
37#	L08603687	4	Vite TE M5x20 inox	Screw hex hd M5x20 SS	Schraube	Vis
38	909 5396 000	1	Kit viti supporto tergitore (6-7-11-15-17)	Hardware squeegee holder kit (6-7-11-15-17)	Saugduesen Halter Satz (6-7-11-15-17)	Kit vis support embouchure (6-7-11- 15-17)
39	909 5373 000	1	Kit tergitore BA 750	Kit squeegee BA 750	Saugduesen Satz BA 750	Kit embouchure BA 750
40#	L08812948	2	Distanziale	Spacer	Abstandstueck	Entretoise
41#	L08603879	1	Kit ruota tergitore	Kit squeegee wheel	Saugdueserad Satz	Kit roue embochure
0*	909 5466 000	1	Kit gomme antiolio 750	Blades oil resistant kit 750	Sauglippen oelschutz Satz	Kit bavette hydrocarbure

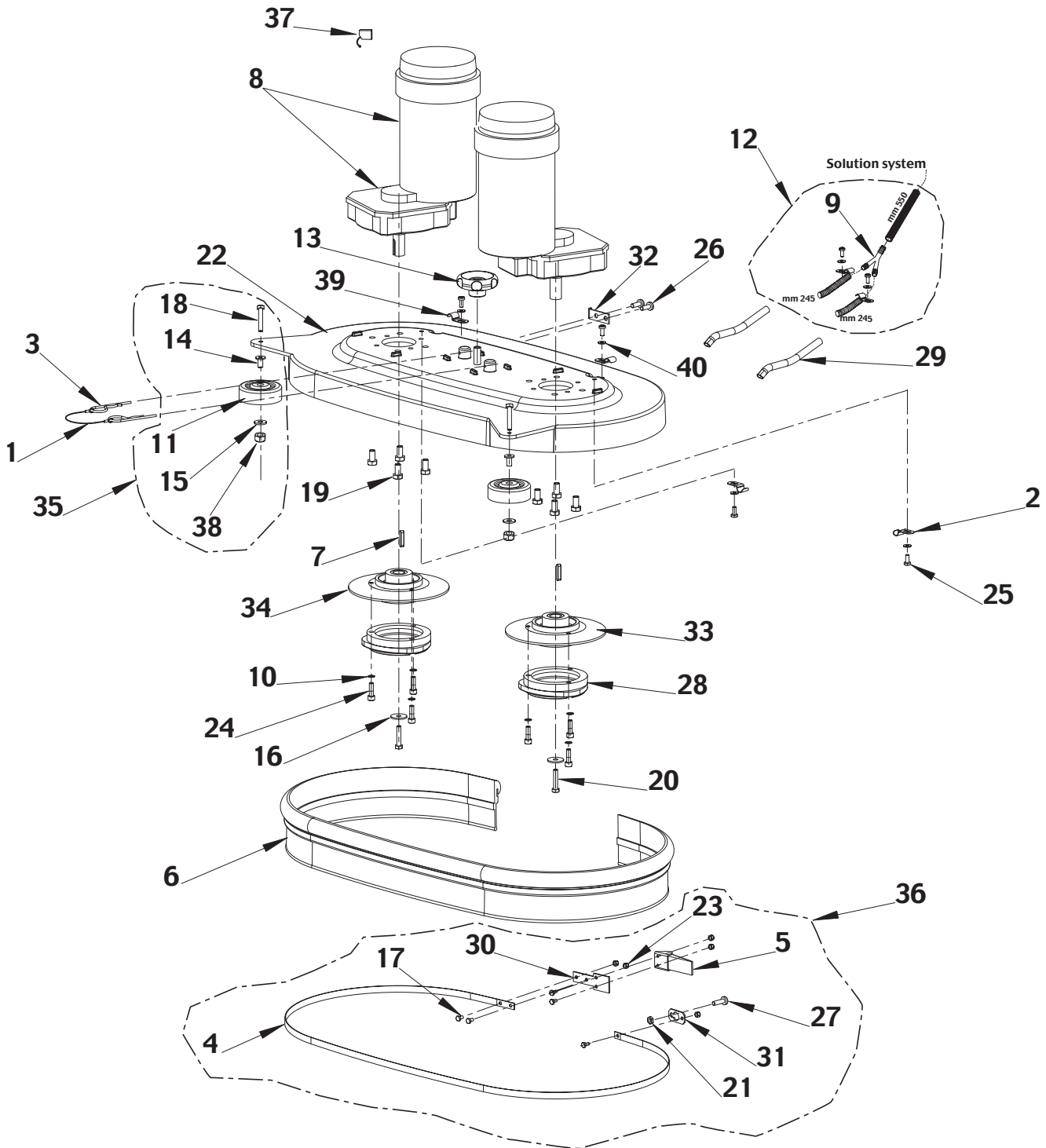
a: before serial number 04120334

b: after sirial number 04120334

909 5320 000(3)2006-01

2006-01	GRUPPO SPAZZOLE / BRUSHES SYSTEM	BOOK E		
2004-12	BA 600S/ BA 650S/ BA 750S	E	12.9.1	31

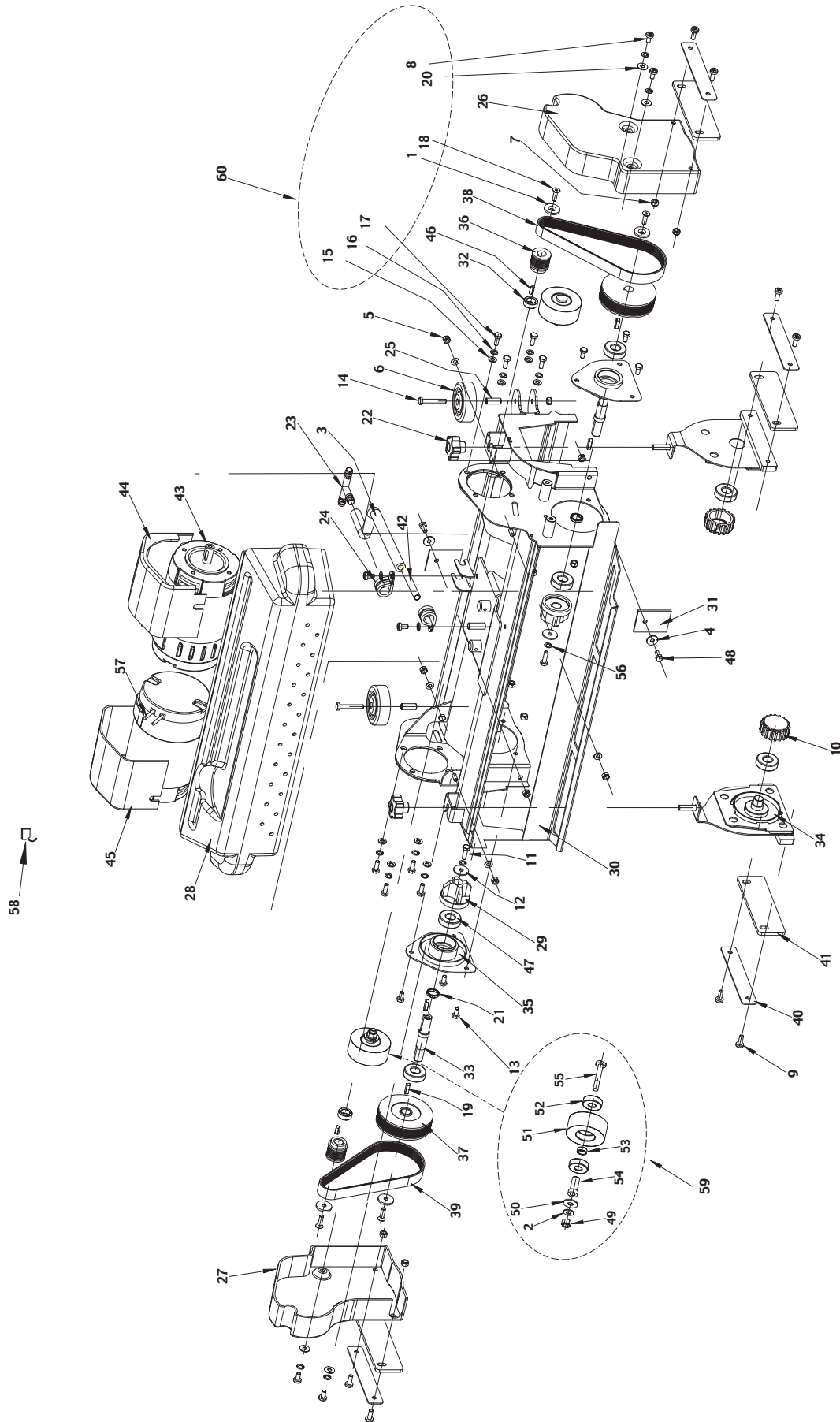
Pos Item Bild Rép	Codice Ref. No. Art. Nr. Réf. No	Q.tà Qty Menge Qté	Descrizione	Description	Beschreibung	Désignation
1	909 5293 000	1	Cavo acciaio di ritegno	Cable, stainless steel	Stahlkabel	Cable acier
2	145 9212 000	2	Cavallotto ø10	U-bolt ø10	Verbindungsbruecke	Etrier
3	145 8564 000	2	Copiglia 3	Split pin 3	Splint	Goupille
4	xxx xxxx xxx	1	Sostegno paraspr. 600-650	Holder splash guard 600 - 650	Schutzspritzgummi Halter	Support pare eclaboussure
4	xxx xxxx xxx	1	Sostegno paraspr. 750	Holder splash guard 750	Schutzspritzgummi Halter	Support pare eclaboussure
5	xxx xxxx xxx	1	Gancio per tergitoro	Latch, squeegee	Haken	Crochet
6	909 5224 000	1	Paraspruzzi 600 - 650	Splash guard 600 - 650	Schutzspritzgummi 600- 650	Pare eclaboussure 600 - 650
6	909 5345 000	1	Paraspruzzi 750	Splash guard 750	Schutzspritzgummi 750	Pare eclaboussure 750
7	145 8024 000	2	Linguetta 5x5x25	Tab 5x5x25	Keil	Clavette
8	909 5230 000	2	Motorituttore W400 24V	Gearmotor W400 24V	Verminderungsgetriebe kpl	Motoreducteur
9	xxx xxxx xxx	1	Raccordo a Y ø10 nylon	Elbow Y ø10	Verbindung	Raccord
10#	L08353300	6	Rondella zigr.M6	Washer M6	Beilagscheibe	Rondelle
11	xxx xxxx xxx	2	Ruota paracolpi	Roller bumper	Abweisrolle	Roulette
12	909 5369 000	1	Kit tubo acqua testata	Brush deckwater hose kit	Buerstenhalterschlauc hSatz	Kit tuyau plaque sup. brosse
13	146 1037 000	1	Volantino M10	Handwheel M10	Handrad	Molette
14	xxx xxxx xxx	2	Distanziale	Bushing	Abstandstueck	Entretoise
15	xxxxxxx	4	Rondella piana 6x18	Washer flat 6x18	Beilagscheibe	Rondelle
16	145 9129 000	2	Rondella piana 6x24	Washer flat 6x24	Beilagscheibe	Rondelle
17	xxx xxxx xxx	5	Vite TE M4x8	Screw hex hd M4x8	Schraube	Vis
18	xxx xxxx xxx	2	Vite TE M6x40	Screw hex hd M6x40	Schraube	Vis
19	145 0521 000	8	Vite TE M8x16 inox	Screw hex hd M8x16 SS	Schraube	VIs
20	145 0553 000	2	Vite TE M6x30 inox	Screw hex hd M6x30 SS	Schraube	Vis
21	xxx xxxx xxx	1	Dado es. basso M6	Nut hex low M6	Mutter	Ecrou
22	909 5344 000	1	Testata spazzola 600	Brush deck 600	Buerstenhalter 600	Plaque sup.de brosse 600
22	909 5226 000	1	Testata spazzola 650	Brush deck 650	Buerstenhalter 650	Plaque sup.de brosse 650
22#	909 6250 000	1	Testata spazzola 750	Brush deck 750	Buerstenhalter 750	Plaque sup.de brosse 750
23	xxx xxxx xxx	5	Dado es.basso M4 autobl.inox	Nut hex low M4 selflock SS	Mutter	Ecrou
24	909 5056 000	6	Vite TCEI M6x20 inox	Screw socket hd M6x20 SS	Schraube	Vis
25	909 5009 000	6	Vite TCTC M5x12 inox	Screw oval hd M5x12 SS	Schraube	Vis
26	909 5010 000	2	Vite TCTC M6x16 inox	Screw oval hd M6x16 SS	Schraube	Vis
27	xxx xxxx xxx	1	Vite TCTC M6x20 inox	Screw oval hd M6x20 SS	Schraube	Vis
28#	L08812480	2	Mozzo spazzola	Hub	Nabe	Moyeu
29	909 5228 000	2	Tubo in rame	Hose copper	Schlauch	Tuyau
30	xxx xxxx xxx	1	Piattina diritta	Plate, straight	Band gerade	Plaque
31	xxx xxxx xxx	1	Piattina diritta con foro	Plate, straight w/hole	Band gerade mit Loch	Plaque
32#	L08603968	1	Piattina piegata	Plate, bent	Band	Plaque
33#	L08812306	1	Mozzo motorid.spazzola dx	Hub,brush right red. garmotor	Nabe,Verminderungsgetr. recht	Moyeu motored. bros. droite
34#	L08603822	1	Mozzo motorid.spazzola sx	Hub,brush left red. garmotor	Nabe,Verminderungsgetr. links	Moyeu motored. bros. gauche
35	909 5894 000	2	Kit ruota paracolpi (11- 14-15-18)	Roller bumper kit (11- 14-15-18)	Abweisroller Satz (11-14- 15-18)	Kit parachocs (11-14- 15-18)



2006-01	GRUPPO SPAZZOLE / BRUSHES SYSTEM	BOOK E		
2004-12	BA 600S/ BA 650S/ BA 750S	E	12.9.1	33

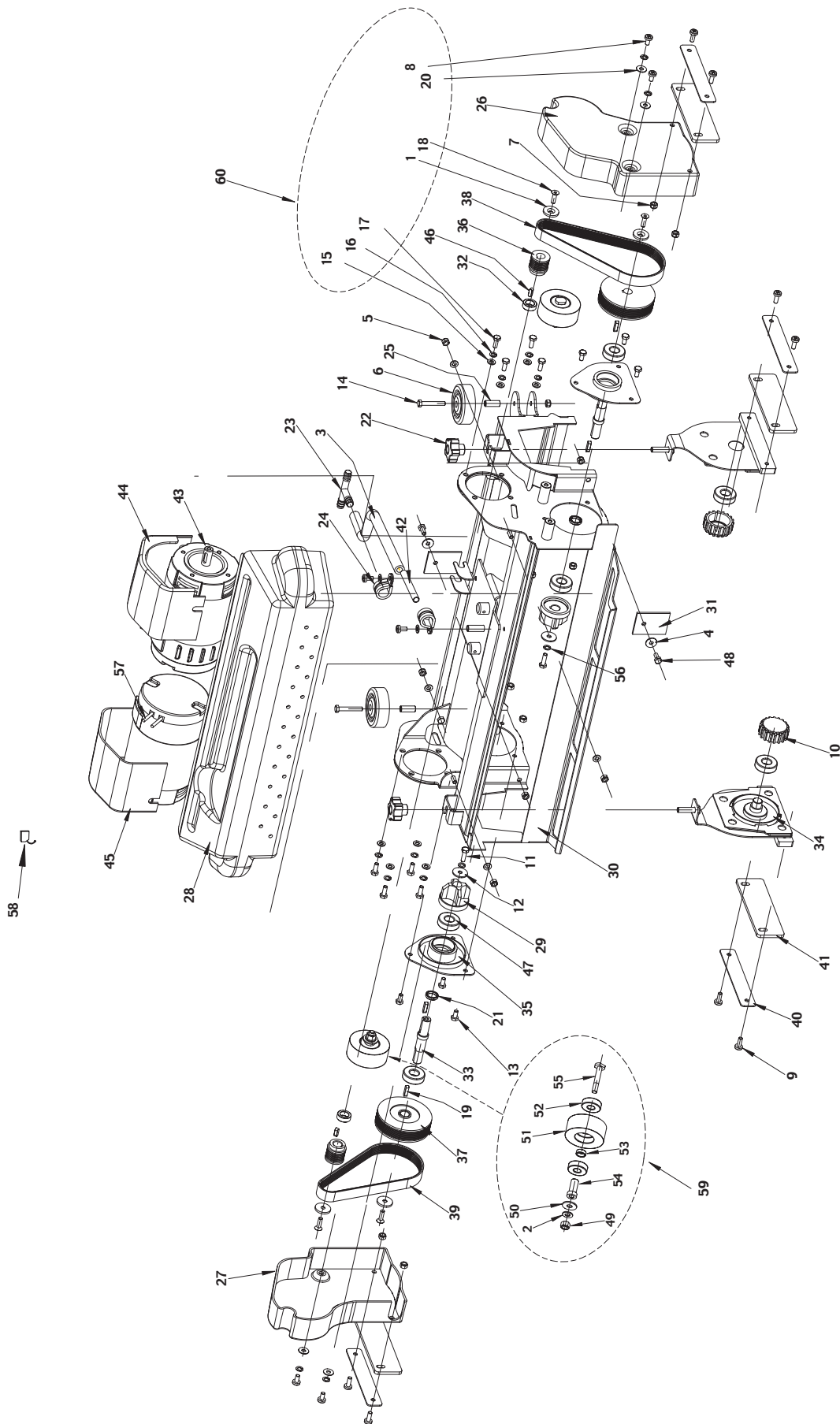
Pos Item Bild Rép	Codice Ref. No. Art. Nr. Réf. No	Q.tà Qty Menge Qté	Descrizione	Description	Beschreibung	Désignation
35*	909 5950 000	1	Kit rullo paracolpi usi speciali	Kit bumper roller special use	Abweisroller Satz sonder Benutzung	Kit parachocs speciales utilisationes
36	909 5398 000	1	Kit fissag.paraspr.600-650 (4-5-17-21-23-27-30-31)	Splash guard fit. kit 600-650 (4-5-17-21-23-27-30-31)	Schutzspritzg. Fix. Satz 600-650 (4-5-17-21-23-27-30-31)	Kit fixation pare eclab. 600-650 (4-5-17-21-23-27-30-31)
36	909 5407 000	1	Kit fissag.paraspr.750	Splash guard fit. kit 750	Schutzspritzg. Fix. Satz 750	Kit fixation pare eclab. 750
37	909 5380 000	1	Kit carboncini (4pcs)	Carbon brush kit	Kohlenbuerste Satz	Charbon kit
38#	L08361400	2	Dado es.basso autobl. M6	Nut hex low selflock M6	Mutter M6	Dado es.basso autobl. M6
39	909 5483 000	4	Cavallotto ø16	Clamp ø16	Verbindungsbruecke ø16	Cavallotto ø16
40#	L08603689	6	Rondella piana 6x18 inox	Washer flat 6x18 SS	Beilagscheibe 6x18	Rondelle

35*: see TSB IT 2005-004 - Installation Instruction 909 5951 000



2006-01	GRUPPO SPAZZOLE CIL. / CYL. BRUSHES SYSTEM	BOOK E		
2004-12	BA 600SC/ BA 750SC	E	12.9.1	35

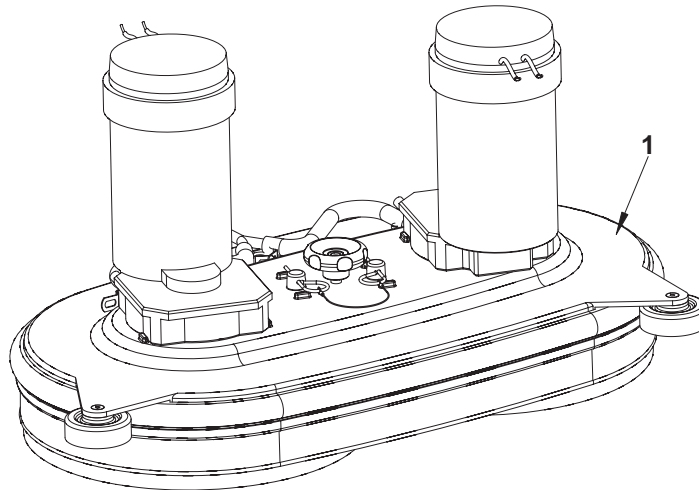
Pos Item Bild Rép	Codice Ref. No. Art. Nr. Réf. No	Q.tà Qty Menge Qté	Descrizione	Description	Beschreibung	Désignation
1	145 5828 000	4	Distanziale	Spacer	Abstandstueck	Entretoise
2	145 9120 000	2	Rondella piana 8x17	Washer flat 8x17	Beilagscheibe	Rondelle
3	909 5141 000	1	Tubo spiralato ø10	Hose ø10	Schlauch	Tuyau
4#	L08228600	2	Rondella piana 6x18	Washer flat 6x18	Beilagscheibe	Rondelle
5#	L08361400	6	Dado es. autobl.M6	Nut hex selflock M6	Mutter	Ecrou
6#	L08602460	2	Ruota paracolpi	Bumper roller	Abweisrolle	Roue parachoc
7#	L08603682	12	Dado es.autobl.M6 inox	Nut hex selflock M6 SS	Mutter	Ecrou
8#	L08603706	6	Vite TCTC M6x12	Screw M6x12	Schraube	Vis
9#	L08812095	8	Vite TCTC M6x16	Screw M6x16	Schraube	Vis
10	56407551	2	Mozzo	Hub	Nabe	Moyeu
11	145 0253 000	2	Vite TE M6x20	Screw hex hd M6x20	Schraube	Vis
12	145 0493 000	2	Rondella piana 6x24 inox	Washer flat 6x24 SS	Beilagscheibe	Rondelle
13	145 0498 000	6	Vite TE M6x12 inox	Screw hex hd M6x12 SS	Schraube	Vis
14	145 4472 000	2	Vite TE M6x40	Screw hex hd M6x40	Schraube	Vis
15	145 9128 000	20	Rondella piana 6x12,5	Washer flat 6x12,5	Beilagscheibe	Rondelle
16	145 9228 000	10	Rondella e spaccata 6	Washer split	Beilagscheibe	Rondelle
17	145 9261 000	8	Vite TE M6x16	Screw hex hd M6x16	Schraube	Vis
18	145 9309 000	4	Vite TSPEI M6x20	Screw M6x20	Scharube	Vis
19	145 9774 000	4	Chiavetta 5x5x20	Key 5x5x20	Keilnut	Clavette
20	146 0250 000	4	Rondella piana 6x16	Washer flat 6x16	Beilagscheibe	Rondelle
21	146 1232 000	2	Distanziale	Spacer	Abstandstueck	Entretoise
22#	909 5964 000	2	Volantino M8	Knob M8	Handrad	Molette
23	145 4366 000	1	Portagomma a T ø12	Pipe holder T ø12	Gummihalter	Raccord
24	909 5516 000	2	Fascetta fermatubo ø18	Clamp ø18	Schelle	Collier
25	909 5710 000	2	Distanziale	Spacer	Abstandstueck	Entretoise
26	909 5724 000	1	Carter prot.cinghia dx	Crankcase belt protec. right	Gehäuse	Protection
27	909 5725 000	1	Carter prot.cinghia sx	Crankcase belt protec. left	Gehäuse	Protection
28	909 5727 000	1	Cassetto rifiuti (600)	Dirt container (600)	Schmutzbehälter	Bac a dechet
28	909 6225 000	1	Cassetto rifiuti (750)	Dirt container (750)	Schmutzbehälter	Bac a dechet
29	909 5728 000	1	Mozzo spazzola	Brush hub	Nabe	Moyeu
30	909 5750 000	1	Telaio testata cil. 600	Cylind.brush deck 600	Buerstenhalter 600	Brosse support 600
30	909 5751 000	1	Telaio testata cil. 750	Cylind.brush deck 750	Buerstenhalter 750	Brosse support 750
31	909 5752 000	1	Paraspruzzi cil.	Cylindrical splash guard	Schutzspritzgummi Zyl.	Bavette de protec.cyl.
32	909 5754 000	2	Distanziale	Spacer	Abstandstueck	Entretoise
33	909 5755 000	2	Perno puleggia spazzola	Pin brush pulley	Stift	Axe
34	909 5756 000	2	Supporto spazzola	Brush support	Halter	Support
35	909 5757 000	2	Supporto puleggia spaz.	Pulley support	Halter	Support
36	909 5758 000	2	Puleggia	Pulley	Scheibe	Poulie
37	909 5759 000	2	Puleggia	Pulley	Scheibe	Poulie
38	909 5760 000	1	Cinghia	Belt	Riemen	Courroie
39	909 5761 000	1	Cinghia	Belt	Riemen	Courroie
40	909 5769 000	4	Piastrina fissaggio paras.	Plate	Platte	Plaque
41	909 5770 000	4	Paraspruzzi cil.	Cylindrical splash guard	Schutzspritzgummi Zyl.	Bavette de protec.cyl.
42	909 5772 000	1	Tubo in rame	Copper hose	Schaluch	Tuyau
43	909 5773 000	2	Motore elettrico W400- 24V (testata 600)	Electric motor W400- 24V (deck 600)	Elektrische motor	Moteur electrique
43	909 5774 000	2	Motore elettrico W600- 24V (testata 750)	Electric motor W600- 24V (deck 750)	Elektrische motor	Moteur electrique
44	909 5802 000	1	Carter prot. motore dx	Crankcase motor prot. right	Motor Schutzgeh.recht	Protection moteur droite



2006-01	GRUPPO SPAZZOLE CIL. / CYL. BRUSHES SYSTEM	BOOK E		
2004-12	BA 600SC/ BA 750SC	E	12.9.1	37

Pos Item Bild Rép	Codice Ref. No. Art. Nr. Réf. No	Q.tà Qty Menge Qté	Descrizione	Description	Beschreibung	Désignation
45	909 5803 000	1	Carter prot. motore sx	Crankcase motor prot. left	Motor Schutzgeh.links	Protection moteur gauche
46	146 1017 000	2	Linguetta	Tab	Keil	Clavette
47	145 2361 000	6	Cuscinetto	Bearing	Lager	Roulement
48	146 2667 000	2	Vite TE M6x14 inox	Screw hex. hd M6x14 SS	Schraube	Vis
49#	L08299800	2	Dado e.basso autobl.M8	Nut hex low selflock M8	Mutter	Ecrou
50	145 9213 000	2	Rondella piana 8x24	Washer flat 8x24	Beilagscheibe	Rondelle
51	909 5762 000	2	Rullo tendicinghia	Roller	Rolle	Rouleau
52	909 5763 000	4	Cuscinetto	Bearing	Lager	Roulement
53	909 5764 000	2	Distanziale	Spacer	Abstandstueck	Entretoise
54	909 5765 000	2	Perno con collare	Pin	Stift	Axe
55	909 5766 000	2	Perno filettato	Pin thd form	Stift	Axe
56	909 5753 000	2	Rondella e.spaccata 6 inox	Washer split 6 SS	Beilagsche 6 SS	Rondelle 6
57	909 5957 000	4	Pipetta in gomma	Rubber pipette	Rubber pipette	Pipette
58	909 5877 000	4	Carboncino (per motore 909 5773 000)	Carbon brush (for electric motor 909 5773 000)	Carbon brush	Charbon
58#	L08603949	1	Set carboncini (4pcs) - (per motore 909 5774 000)	Carbon brush set (4pcs) - (for electric motor 909 5774 000)	Carbon brush set (4pcs)	Charbon kit (4pcs)
59	909 6360 000	1	Kit rullo tendicinghia (2,49,50,51,52,53,54,55)	Roller kit (2,49,50,51,52,53,54,55)	Rolle Satz (2,49,50,51,52,53,54,55)	Kit rouleau (2,49,50,51,52,53,54,55)
60	909 6362 000	1	Kit viteria (1,8,15,16,17,18,20)	Cyl. Brush deck hardware kit (1,8,15,16,17,18,20)	Schrauben Satz (1,8,15,16,17,18,20)	Kit vis (1,8,15,16,17,18,20)
0	909 5799 000	1	Cablaggio testata spazzola	Harnessn brush deck	Harness brush deck	Cablage

Item	Ref. No.	Qty	Description
1	909 5497 000	1	BA 600S Brush Deck kit
1	909 5495 000	1	BA 650S Brush Deck Kit
1	909 5496 000	1	BA 750S Brush Deck Kit
0	909 5971 000	1	Installation Instructions



BA 600S BRUSHES

- L08603842 - Prolene
- L08603873 - Midgrit 240
- L08603872 - Midlite Grit 180
- L08603874 - Prolite
- L08603875 - Union Mix
- L08603939 - Pad holder kit

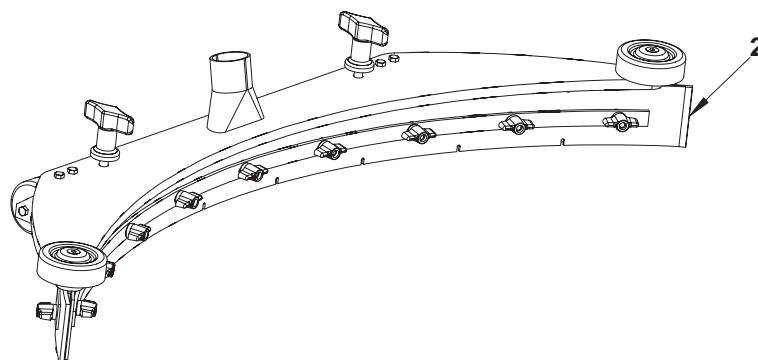
BA 650S BRUSHES

- 909 5332 000 - Prolene
- 909 5334 000 - Midgrit 240
- 909 5336 000 - Midlite Grit 180
- 909 5338 000 - Prolite
- 909 5340 000 - Union Mix
- 909 5330 000 - Pad holder kit

BA 750S BRUSHES

- 909 5333 000 - Prolene
- 909 5335 000 - Midgrit 240
- 909 5337 000 - Midlite Grit 180
- 909 5339 000 - Prolite
- 909 5341 000 - Union Mix
- 909 5331 000 - Pad holder kit

Item	Ref. No.	Qty	Description
2	909 5372 000	1	BA 600S - BA 650S Squeegee kit
2	909 5373 000	1	BA 750 S Squeegee kit



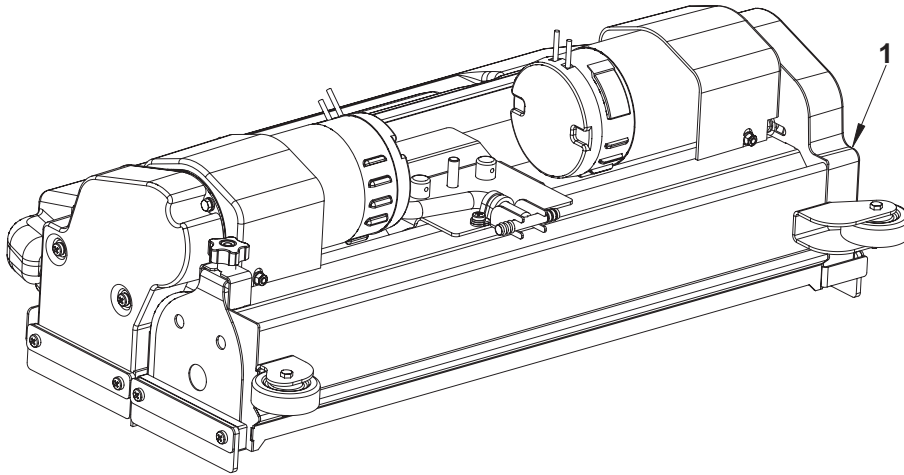
BA 600S-BA 650S Squeegee Blades

- L08603830 - Front blade standard
- L08603832 - Rear blade standard
- L08603973 - Oil resistant blade kit
- 909 5629 000 - Non marking front blade

BA 750S Squeegee Blades

- 909 5348 000 - Front blade std
- 909 5350 000 - Rear blade std
- 909 5466 000 - Oil resistant blade kit
- 909 5513 000 - Non marking front blade

Item	Ref. No.	Qty	Description
1	909 5875 000	1	BA 600SC Cylindrical Deck Kit
1	909 5876 000	1	BA 750SC Cylindrical Deck Kit
0	909 5962 000	1	Installation Instructions

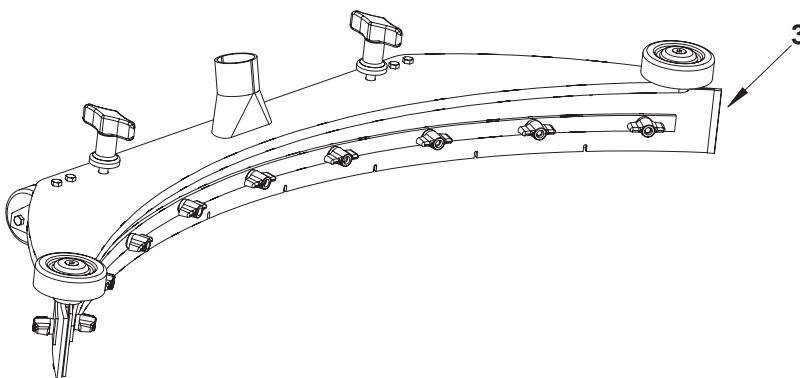
**BA 600SC BRUSHES**

56314389 - Soft Nylon
 56314390 - Hard Nylon
 56314391 - Prolene
 56314392 - 180 Grit
 56314393 - 80 Grit
 56314394 - 46 Grit

BA 750SC BRUSHES

56412191 - Soft Nylon
 56412192 - Hard Nylon
 56412046 - Prolene
 56412193 - 180 Grit
 56412194 - 80 Grit
 56412195 - 46 Grit

Item	Ref. No.	Qty	Description
3	909 5372 000	1	BA 600S - BA 650S - BA 600SC Squeegee kit
3	909 5373 000	1	BA 750S - BA 750SC Squeegee kit

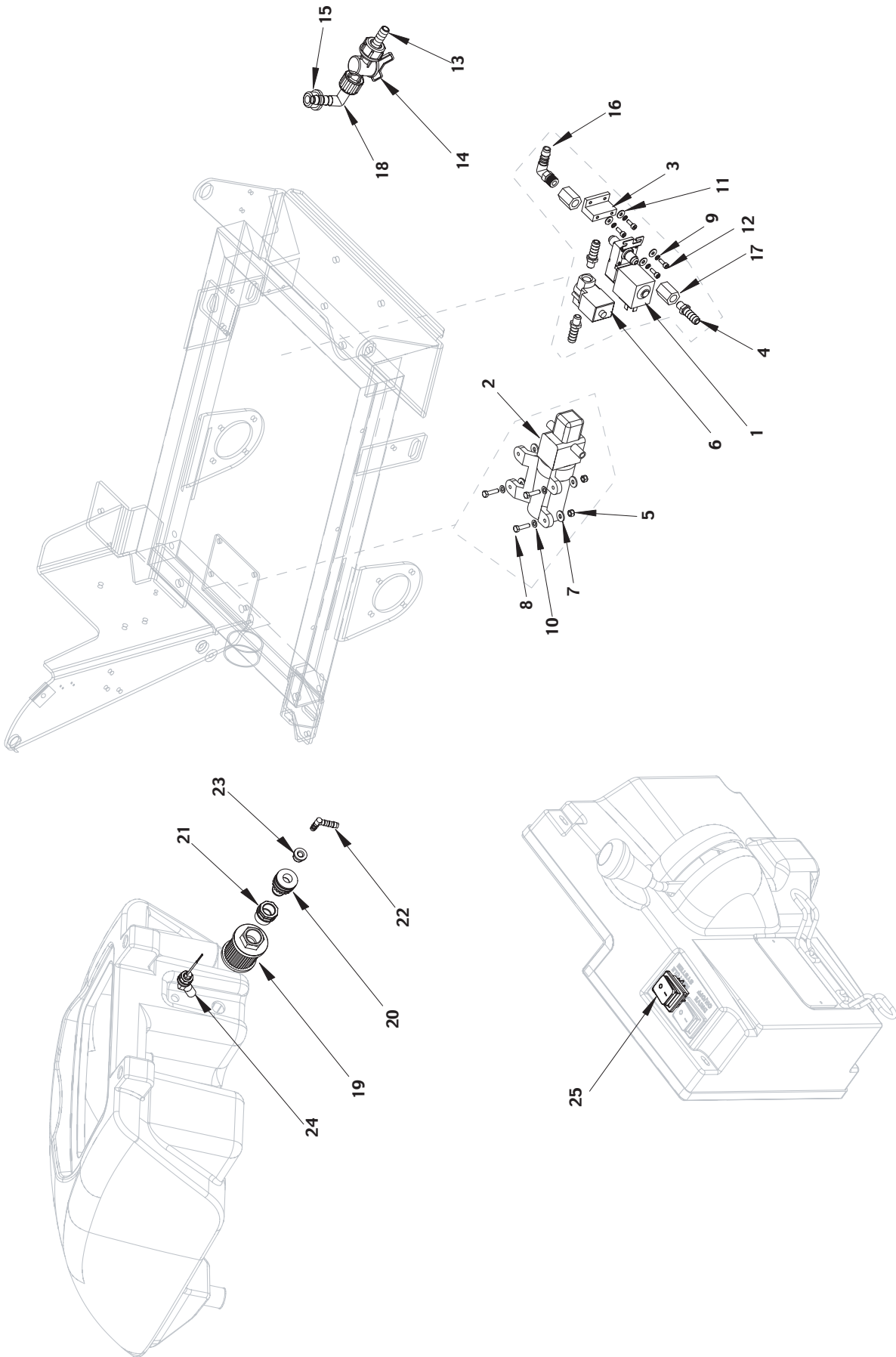
**BA 600S-BA 650S-BA 600SC Squeegee Blades**

L08603830 - Front blade standard
 L08603832 - Rear blade standard
 L08603973 - Oil resistant blade kit
 909 5629 000 - Non marking front blade

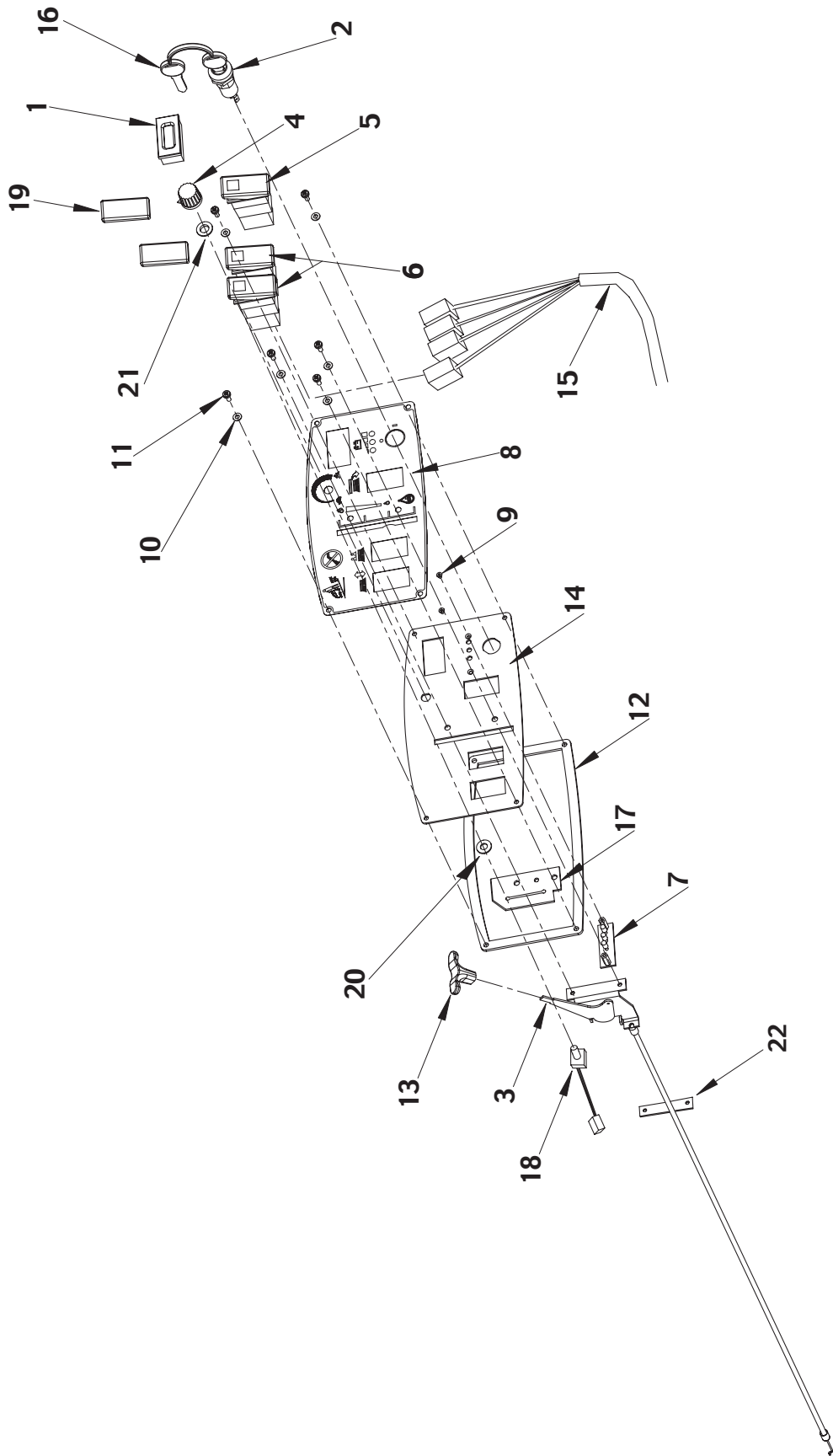
BA 750S-BA 750SC Squeegee Blades

909 5348 000 - Front blade standard
 909 5350 000 - Rear blade standard
 909 5466 000 - Oil resistant blade kit
 909 5513 000 - Non marking front blade

BOOK E			ACCESSORIES - Recycle Kit	2006-01
E	12.9.1	40	All models - for machines with serial number starting from 04451409	2004-12

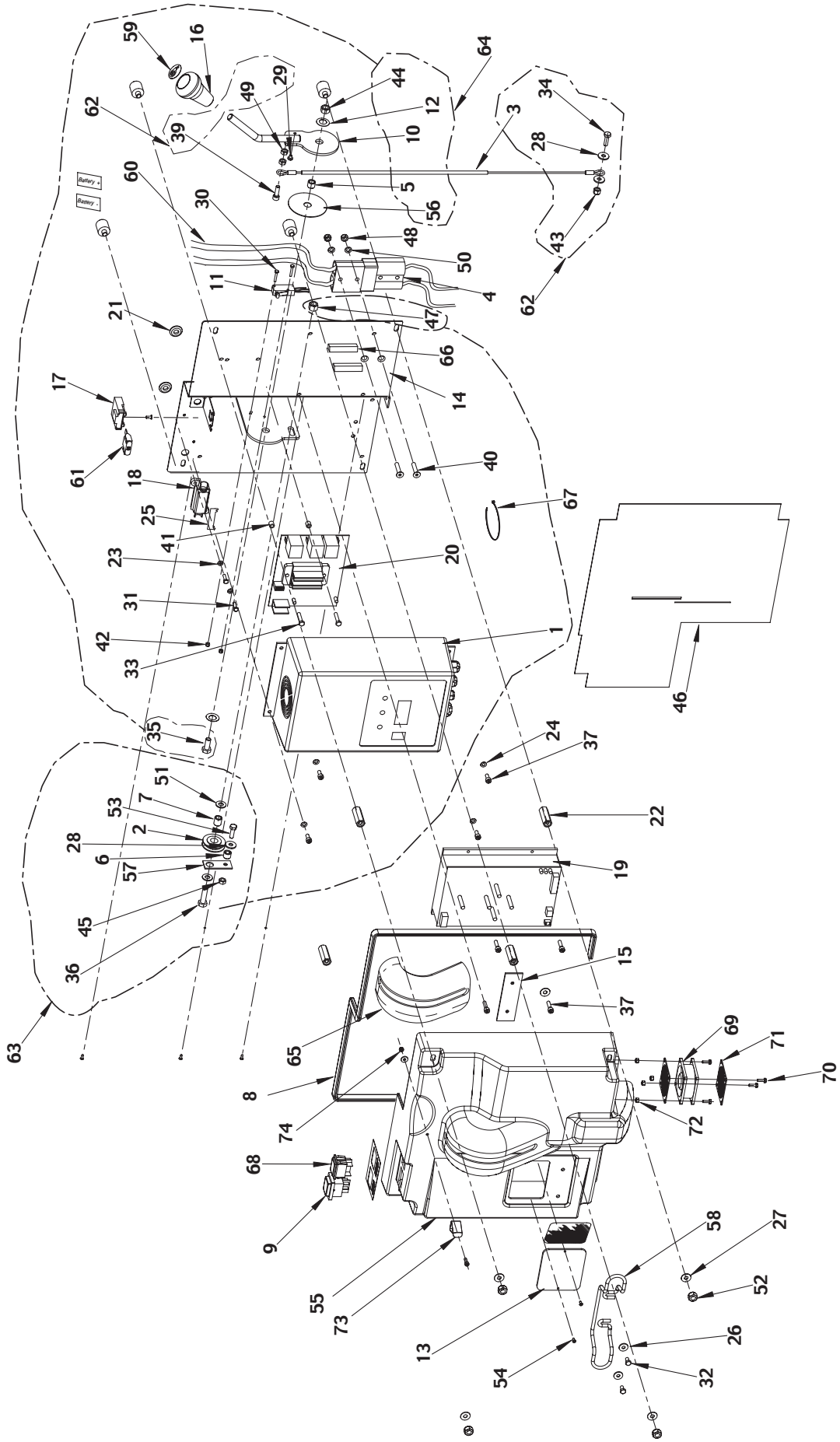


Item	Ref. No.	Qty	Description
1	909 5926 000	1	Solenoid Valve NO
2	909 5932 000	1	Pump
3	xxx xxxx xxx	1	Block
4	xxxxxxxx	3	Rubber holder 1/4
5	xxxxxxxx	4	Nut hex. low self lock M5
6#	L08812912	1	Solenoid Valve
7	xxx xxxx xxx	4	Washer flat 5X15
8	xxx xxxx xxx	4	Screw M5X20
9	xxx xxxx xxx	4	Washer split 4
10	xxx xxxx xxx	4	Washer flat 5X10
11	xxx xxxx xxx	4	Washer flat 4X12
12	xxx xxxx xxx	4	Screw M4X12
13	xxx xxxx xxx	1	Rubber holder d10
14	909 5023 000	1	Valve
15	xxx xxxx xxx	1	Gasket
16	xxx xxxx xxx	1	Rubber holder 90° d10
17	xxx xxxx xxx	2	Extension
18	xxx xxxx xxx	1	Rubber holder 1/2
19	909 5952 000	1	Filter for recycle
20	xxx xxxx xxx	1	Tank adaptor
21	xxx xxxx xxx	1	Reduction
22	xxx xxxx xxx	1	Elbow 90° d10 nylon
23	xxx xxxx xxx	1	Gasket
24	145 8494 000	1	Microswitch
25	909 5584 000	1	Switch
0	xxx xxxx xxxx	3	T elbow
0	xxx xxxx xxxx	1	Recycle harness
0	xxxxxxxx	6	Clamp
0	xxx xxxx xxxx	1	Drilling Mask
0	xxx xxxx xxxx	1	Hose
0*	909 5960 000	1	Recycle kit complete
0	909 5961 000	1	Installation instruction for recycle kit



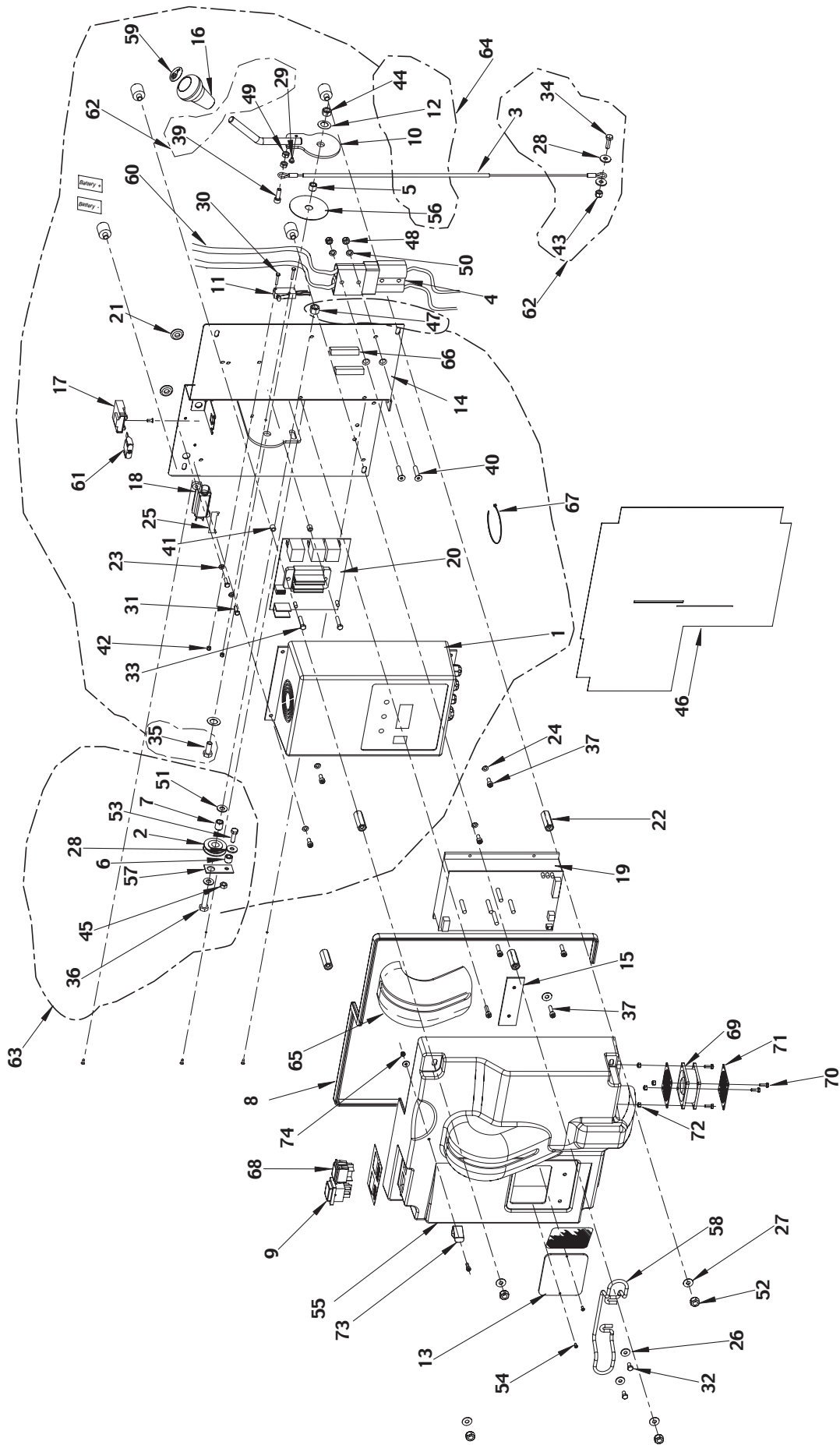
2006-01	PANNELLO DI CONTROLLO / CONTROL PANEL SYSTEM	BOOK E		
2004-12	BA 600S/ BA 650S/ BA 750S - BA 600SC/ BA 750SC	E	12.9.1	43

Pos Item Bild Rép	Codice Ref. No. Art. Nr. Réf. No	Q.tà Qty Menge Qté	Descrizione	Description	Beschreibung	Désignation
1#	L08812350	1	Contaore 24V	Counter hour 24V	Stundenzähler	Horametre
2	146 2888 000	1	Interruttore a chiave	Key switch	Schlußschalter	Interrupteur a cle
3	909 6421 000	1	Leva regolazione acqua	Lever, water faucet	Hebel	Levier
4	145 4719 000	1	Manopola potenziometro	Knob for potentiometer	Drehknopf	Poignee
5	909 5251 000	1	Pulsante nero	Push button	Knopf	Bouton poussoir
6	909 5250 000	2	Pulsante nero	Push button	Knopf	Bouton poussoir
7#	L08812909	1	Scheda led	Led board	Karte	Carte electronique
8	909 5249 000	1	Serigrafia plancia	Control panel decal	Schaltplatte Folie	Serigraphie
9	909 5284 000	2	Vite TSPTC M3x6	Screw M3x6	Schraube	Vis
10	145 0441 000	6	Rondella piana 4x9 inox	Washer flat 4x9 SS	Beilagscheibe	Rondelle
11	08603684	6	Vite TCTC M4x10 inox	Screw pan phil M4x10	Schraube	Vis
12	909 5252 000	1	Guarnizione plancia	Control panel gasket	Dichtung	Joint
13	08603790	1	Maniglia per leva acqua	Knob	Handgriff	Poignee
14	909 5248 000	1	Plancia comandi	Control panel	Schaltplatte	Tableau de bord
15	909 5256 000	1	Cablaggio macchina	Machine harness	Kabelverbindung	Cablage machine
16	146 2887 000	1	Chiave di ricambio (2 pz)	Key (2 pcs)	Schlußel	Cle (2 pcs)
17	909 5322 000	1	Guarnizione prot.plancia	Protection gasket	Schutzdichtung	Joint de protection
18	909 5479 000	1	Potenziometro	Potentiometer	Potentiometer	Potentiometre
19	909 5836 000	1	Tappo versione cil.	Cap cyl. version	Pfropfen Zyl. Ausfueh.	Bouchon version cyl.
20	909 6496 000	1	Distanziale	Spacer	Abstandstueck	Entretoise
21	909 5999 000	1	Boccola isolante	Bushing	Buchse	Coupille
22	909 6261 000	1	Piastra fissaggio leva	Fixing lever plate	Platte	Plaque
0	909 5796 000	1	Kit cavo massa plancia	Kit ground cable	Satz Kabel Masse	Kit cable masse
0	909 5798 000	1	Istruzioni di montaggio kit cavo	Istallation instructions kit ground cable	Montage Anweisungen -Satz Kabel Masse	Instruction pour montage kit cable
0	909 5212 000	1	Cablaggio trazione	Harness traction	Antriebjabelverbindung	Cablage traction



2006-01	COMPONENTI ELETTRICI / ELECTRICAL COMPONENTS	BOOK E		
2004-12	BA 600S/ BA 650S/ BA 750S - BA 600SC/ BA 750SC	E	12.9.1	45

Pos Item Bild Rép	Codice Ref. No. Art. Nr. Réf. No	Q.tà Qty Menge Qté	Descrizione	Description	Beschreibung	Désignation
1	909 5375 000	1	Kit carica batterie 24V 25A	Battery charger kit	Batterie Ladegeraete Satz	Chargeur de batterie kit
1	909 5829 000	1	Kit carica batterie 24V 25A per macch. senza caricabatteria	Battery charger kit for machine w/o batterycharger	Batterie Ladegeraete Satz f Maschine ohne Ladeger.	Chargeur de batterie kit pour machine sans chargeur
1	909 6185 000	1	Kit carica batterie J	Battery charger kit J	Batterie Ladegeraete Satz J	Chargeur de batterie kit J
0	909 5830 000	1	Istruzioni di montaggio per kit caricabatterie	Installation instructions for battery charger kit	Montage Angaben f Batterie Ladegeraete Satz	Instruction pour le montage du chargeur kit
2	xxx xxxx xxx	1	Carrucola	Pulley	Scheibe	Poulie
3	xxx xxxx xxx	1	Cavo sollevamento terg.	Squeegee lift cable	Kabel	Cable
4	145 6063 000	1	Connettore	Connector	Kupplungsstueck	Prise
5	xxx xxxx xxx	1	Distanziale ø8,2xø12x9,6	Spacer ø8,2xø12x9,6	Abstandstueck	Entretoise
6	xxx xxxx xxx	1	Distanziale ø6,5xø12x10	Spacer ø6,5xø12x10	Abstandstueck	Entretoise
7	xxx xxxx xxx	1	Distanziale ø8,2xø12x13,5	Spacer ø8,2xø12x13,5	Abstandstueck	Entretoise
8	909 5374 000	1	Guarnizione L=1200 mm	Gasket leng.1200 mm	Dichtung	Joint
9	909 5309 000	1	Interruttore	Switch	Schalter	Interrupteur
10	xxx xxxx xxx	1	Leva sollevamento terg.	Lever	Hebel	Levier
11	145 4799 000	1	Microinterruttore	Microswitch	Mikroschalter	Microinterrupteur
12	xxx xxxx xxx	2	Molla a tazza 21,8x12,3x0,35	Spring	Feder	Ressort
13	909 5313 000	1	Oblò di ispezione	Inspection plate	Inspizierungsplatte	Fenetre d'inspection
14	909 5219 000	1	Supporto scheda elettr.	Support	Halter	Support
15	909 5323 000	1	Piastrina fissaggio	Fixing plate	Fixierungsplatte	Plaque de fixation
16	909 5223 000	1	Pomello per leva	Knob	Boule	Boule
17	146 0659 000	1	Portafusibile maxival	Fuse holder	Sicherungshalter	Support du fusibile
18	145 8046 000	1	Portafusibile	Fuse holder	Sicherungshalter	Support du fusibile
19	909 5749 000	1	Scheda elettronica funz.	Electronic card functions	Elektronische Karte	Carte electronique
20	909 5255 000	1	Scheda elettronica traz.	Electronic card traction	Elektronische Karte	Carte electronique
21	145 3798 000	2	Passacavo ø12	Chock ø12	Kabelfuehrung	Guide cable
22	909 5436 000	4	Distanziale	Spacer	Abstandstueck	Entretoise
23	145 9144 000	2	Rondella piana 4x9	Washer flat 4x9	Beilagscheibe	Rondelle
24#	L08040400	8	Rondella piana 5x10	Washer flat 5x10	Beilagscheibe	Rondelle
25	145 1980 000	1	Fusibile MIDIVAL 100A	Fuse 100A	Sicherung 100A	Fusible 100A
26	145 1261 000	3	Rondella piana 5x15	Washer flat 5x15	Beilagscheibe	Rondelle
27#	L08603689	8	98145,451	98145,451	98145,451	98145,451
28	xxx xxxx xxx	3	Rondella piana 6x18	Washer flat 6x18	Beilagscheibe	Rondelle
29	xxx xxxx xxx	1	Vite TCTC M4x5	Screw M4x5	Schraube	Vis
30	145 1162 000	2	Vite TE M3x20	Screw hex hd M3x20	Schraube	Vis
31#	L08346400	3	Vite TE M4x16	Screw hex hd M4x16	Schraube	Vis
32	145 1238 000	2	Vite TE M5x10	Screw hex hd M5x10	Schraube	Vis
33	145 4485 000	2	Vite TE M5x25	Screw hex hd M5x25	Schraube	Vis
34	xxx xxxx xxx	1	Vite TE M6x20	Screw hex hd M6x20	Schraube	Vis
35	xxx xxxx xxx	1	Vite TBEI M8x20	Screw M8x20	Schraube	Vis
36	xxx xxxx xxx	1	Vite TE M8x30	Screw hex hd M8x30	Schraube	Vis
37#	145 9253 000	9	Vite TCEI M5x16	Screw M5x16	Schraube	Vis
39	xxx xxxx xxx	1	Vite TCEI M6x20	Screw M6x20	Schraube	Vis
40	145 9740 000	2	Vite TSPEI M6x30	Screw M6x30	Schraube	Vis
41#	L08812322	2	Distanziale ø5xø8x8	Spacer ø5xø8x8	Abstandstueck	Entretoise
42	145 9124 000	2	Dado e. autobloccante M3	Nut hex self lock M3	Mutter	Ecrou
43	xxx xxxx xxx	1	Dado e. autobloccante M6	Nut hex self lock M6	Mutter	Ecrou
44	xxx xxxx xxx	1	Dado e. basso autob. M8	Nut hex low self lock M8	Mutter	Ecrou

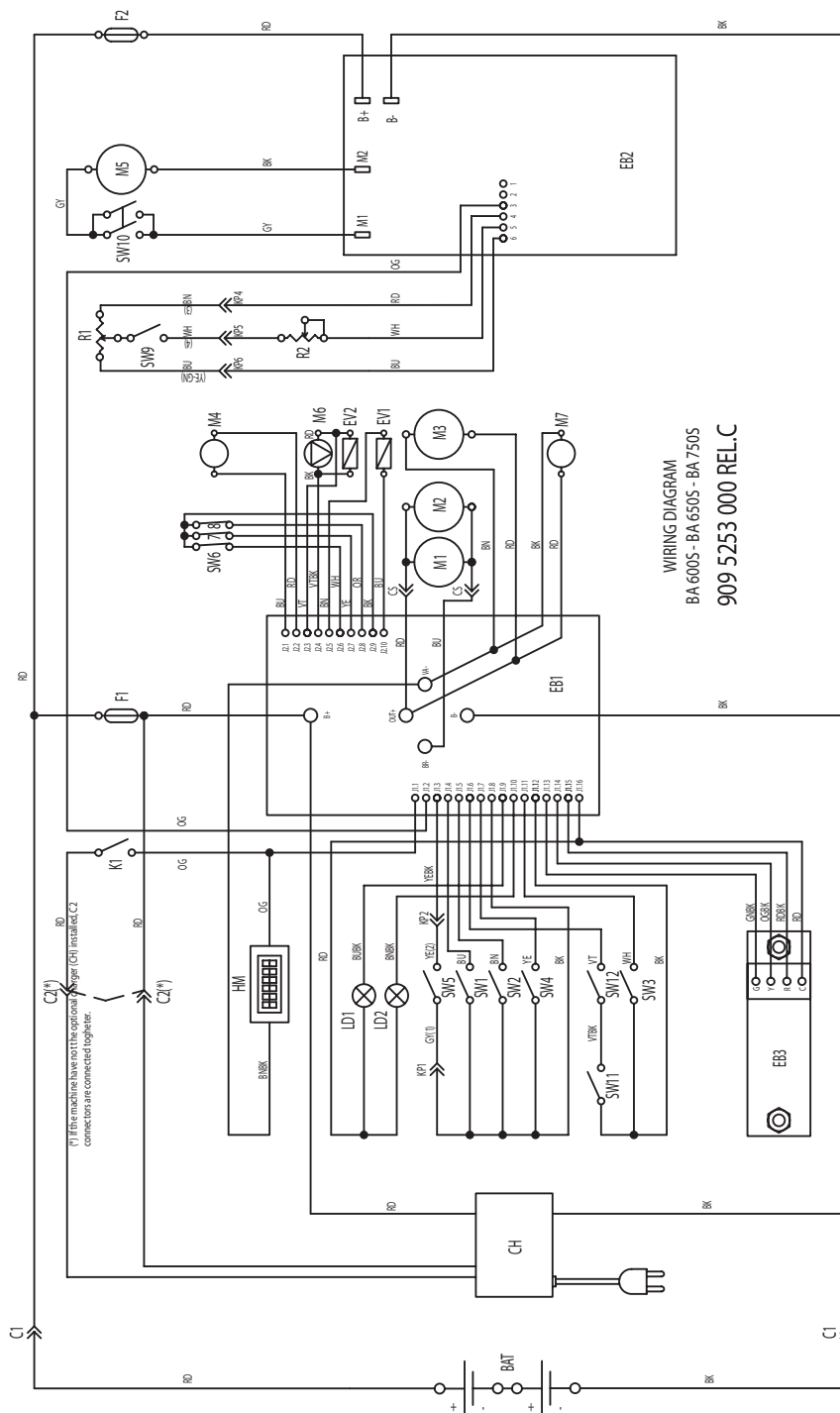


2006-01	COMPONENTI ELETTRICI / ELECTRICAL COMPONENTS	BOOK E		
2004-12	BA 600S/ BA 650S/ BA 750S - BA 600SC/ BA 750SC	E	12.9.1	47

Pos Item Bild Rép	Codice Ref. No. Art. Nr. Réf. No	Q.tà Qty Menge Qté	Descrizione	Description	Beschreibung	Désignation
45	xxx xxxx xxx	1	Dado e.basso M6	Nut hex low M6	Mutter	Ecrou
46	909 5314 000	1	Gomma protezione	Protection	Schutzgummi	Protection
47	xxx xxxx xxx	1	Dado e. autobl. M8 inox	Nut hex self lock M8 SS	Mutter	Ecrou
48#	L08603682	2	Dado e.basso autobl. M6 inox	Nut hex self lock M6 SS	Mutter	Ecrou
49	xxx xxxx xxx	2	Dado e.M6 inox	Nut hex M6 SS	Mutter	Ecrou
50	145 9961 000	2	Rondella piana 6x12,5 inox	Washer flat 6x12,5	Beilagscheibe	Rondelle
51	xxx xxxx xxx	2	Rondella piana 8x17 inox	Washer flat 8x17 SS	Beilagscheibe	Rondelle
52#	L08050200	4	Dado cieco M6	Blind nut M6	Mutter	Ecrou
53	xxx xxxx xxx	1	Vite TE M6x20 inox	Screw M6x20 SS	Schraube	Vis
54	145 1756 000	2	Vite TSPTC 2,9x9,5 autof.inox	Screw 2,9x9,5 thd from SS	Schraube	Vis
55a	909 5778 000	1	Coperchio scheda elettronica	Electronic card cover	Deckel	Couvercle
56	xxx xxxx xxx	1	Distanziale ø12,5xø65x1	Spacer	Abstandstueck	Entretoise
57	xxx xxxx xxx	1	Piastrina fermacavo	Plate	Band	Plaque
58	909 5149 000	1	Supporto cavo caricabatt.	Support	Halter	Support
59	xxx xxxx xxx	1	Adesivo aspirazione	Decal, suction	Schilder, Saugung	Adhesif, aspiration
60	909 5257 000	1	Cablaggio batterie	Harness, battery	BatterieKabelverbindung	Cablage de batterie
61	909 5101 000	1	Fusibile trazione MAXIVAL 30A	Fuse 30A	Sicherung 30A	Fusible 30A
62	909 5399 000	1	Kit cavo leva tergitoro (3-28-29-34-39-43-49)	Squeegee lever cable kit (3-28-29-34-39-43-49)	Saugdues. Hebel Kabel Satz (3-28-29-34-39-43-49)	Kit cable levier embouchure (3-28-29-34-39-43-49)
63	909 5400 000	1	Kit viti (2-6-7-36-45-47-51-53-57)	Hardware kit (2-6-7-36-45-47-51-53-57)	Schrauben Satz (2-6-7-36-45-47-51-53-57)	Kit vis (2-6-7-36-45-47-51-53-57)
64	909 5401 000	1	Kit viti (5-10-12-35-44-56)	Hardware kit (5-10-12-35-44-56)	Schrauben Satz (5-10-12-35-44-56)	Kit vis (5-10-12-35-44-56)
65	909 5437 000	1	Guarnizione	Gasket	Dichtung	Joint
66	909 5519 000	1	Guarnizione L=260 mm	Gasket	Dichtung	Joint
67	145 0524 000	1	Fascetta	Clamp	Schelle	Collier
68	909 5767 000	1	Tappo	Tap	Pfropfen	Bouchon
69	909 6131 000	1	Ventola	Cooling fan	Kuehlung Ventil	Ventilateur refroidissement
70	145 9291 000	4	Vite TE M4x12	Screw hex hd M4x12	Schraube	Vis
71	909 5801 000	2	Rete di protezione	Protection grid	Schutz	Protection
72	145 5743 000	4	Dado es. autobl. M4	Nut hex selflocking M4	Mutter	Ecrou
73	909 6264 000	1	Fascetta	Clamp	Schelle	Collier
74#	L08603704	1	Dado e. basso autob. M5	Nut hex low self lock M5	Mutter	Ecrou
0	909 5831 000	1	Cablaggio ventola	Harness cooling fan	Kabelverbindung	Cablage ventilateur
0	145 1726 000	1	Fusibile 10A	Fuse 10A	Sicherung	Fusible
0	146 2139 000	1	Scheda elettronica caricabatteria	Battery charger card	Elektr.Karte Ladegeraete	Carte electronique chargeur
0	146 2143 000	1	Scheda display caricabatteria	Display card - battery charger	Batt.Ladegeraete Karte	Carte chargeur
0	146 2144 000	1	Cavo di rete caricabatteria	Net cable - battery charger	Kabel Ladegeraete	Cable chargeur
0	146 2875 000	1	Scheda elettronica caricabatteria J	Battery charger card J	Elektr.Karte Ladegeraete J	Carte electronique chargeur J
0	146 2874 000	1	Scheda display caricabatteria J	Display card - battery charger J	Batt.Ladegeraete Karte J	Carte chargeur J
0	146 2145 000	1	Cavo di rete caricabatteria J	Net cable - battery charger J	Kabel Ladegeraete J	Cable chargeur J
0	146 2142 000	1	Ventola raffreddamento carica batt.	Cooling fan - battery charger	Kuehl.Ventil.Ladegeraete	Ventilateur du chargeur
0	146 0801 000	1	Interruttore Wet/ Gel caricabatteria	Switch - battery charger	Schalter - Ladegeraete	Interrupteur chargeur

55a: starting from serial number 044514049 - preset for cylindrical deck

909 5320 000(3)2006-01



(*) If the machine have not the optional charger (CH) installed, C2 connectors are connected together.

COLORS CODES

BK	BLACK	nero
BU	BLUE	azzurro
BN	BROWN	marone
GN	GREEN	verde
GY	GREY	grigio
OG	ORANGE	arancio
PK	PINK	rosa
RD	RED	rosso
VT	VIOLET	viola
WH	WHITE	bianco
YE	YELLOW	giallo

COMPONENTS

BAT	24V BATTERIES	M4	BRUSH DECK ACTUATOR
C1	BATTERY CONNECTOR	M5	DRIVE MOTOR
C2	SECONDARY CHARGER CONNECTORS	M6	RECYCLING WATER PUMP (OPT)
CH	24V 25A BATTERY CHARGER (OPT)	M7	FAN (only for models w. cylindrical decks)
EB1	FUNCTIONS ELECTRONIC BOARD	R1	DRIVE SPEED POTENTIOMETER
EB2	DRIVE ELECTRONIC BOARD	R2	DRIVE MAX. SPEED POTENTIOMETER
EB3	LED ELECTRONIC BOARD	SW1	BRUSHES CONTROL SWITCH
E11	WATER ELECTROVALVE	SW2	EXTRAPRESSURE SWITCH
E12	RECYCLING ELECTROVALVE (OPT)	SW3	VACUUM MICROSWITCH
F1	FUNCTIONS FUSE	SW4	CLICK-OFF SWITCH
F2	DRIVE SYSTEM FUSE	SW5	PADDLE MICROSWITCH
HM	HOURLY METER	SW6	ACTUATOR LIMIT MICROSWITCH (POS.0)
K1	KEY SWITCH	SW7	ACTUATOR LIMIT MICROSWITCH (POS.1)
LD1	BRUSHES SWITCH WARNING LIGHT	SW8	ACTUATOR LIMIT MICROSWITCH (POS.2)
LD2	EXTRAPRESSURE SWITCH WARNING LIGHT	SW9	PADDLE DRIVE MICROSWITCH
M1	LEFT BRUSH MOTOR	SW10	DRIVE SWITCH
M2	RIGHT BRUSH MOTOR	SW11	RECYCLING WATER CONTROL SW. (OPT)
M3	VACUUM MOTOR	SW12	RECYCLING WATER FLOATING SW. (OPT)

2006-01	RICAMBI CONSIGLIATI / RECOMMENDED SPARE PARTS	BOOK E	
2004-12	BA 600S/ BA 650S/ BA 750S - BA 600SC/ BA 750SC	E	12.9.1 49

BA 600S	BA 650S	BA 750S	Qty	Description
Tank systems				
909 5240 000	909 5240 000	909 5240 000	1	Drain hose
909 6230 000	909 6230 000	909 6230 000	1	Suction hose
909 5235 000	909 5235 000	909 5235 000	1	Fresh water drain hose
909 5236 000	909 5236 000	909 5236 000	1	Closure, fresh water hose
909 5382 000	909 5382 000	909 5382 000	1	Elbow solution tank kit
909 5245 000	909 5245 000	909 5245 000	1	Hose, vacuum motor
909 5383 000	909 5383 000	909 5383 000	1	Cover vacuum motor kit
L08095000	L08095000	L08095000	3	O-ring 4106
909 5370 000	909 5370 000	909 5370 000	1	Motor vacuum w/connector kit
909 5371 000	909 5371 000	909 5371 000	2	Carbon brush
909 5386 000	909 5386 000	909 5386 000	1	Hardware vacuum motor kit
145 0461 000	145 0461 000	145 0461 000	3	Wing nut
909 5197 000	909 5197 000	909 5197 000	1	Insulation acoustic
909 5300 000	909 5300 000	909 5300 000	1	Insulation acoustic
909 5199 000	909 5199 000	909 5199 000	1	Hose, flexible w/elbow
146 0543 000	146 0543 000	146 0543 000	2	Clamp
56412093	56412093	56412093	1	Clamp
909 6421 000	909 6421 000	909 6421 000	1	Water lever
Wheels/ Chassis/ Solution				
909 5201 000	909 5201 000	909 5201 000	1	Front wheel
909 5202 000	909 5202 000	909 5202 000	1	Rear wheel
909 5204 000	909 5204 000	909 5204 000	1	Motor drive unit
145 5124 000	145 5124 000	145 5124 000	2	Carbon brush
909 6319 000	909 6319 000	909 6319 000	1	Solenoid valve 24V
909 5207 000	909 5207 000	909 5207 000	1	Water filter complete
909 5394 000	909 5394 000	909 5394 000	1	Solenoid valve kit
909 5395 000	909 5395 000	909 5395 000	1	Valve complete kit
909 5787 000	909 5787 000	909 5787 000	1	Kit valve with pipe holder
909 6032 000	909 6032 000	909 6032 000	1	Jack motor
145 4284 000	145 4284 000	145 4284 000	1	Vibration dumping
145 8053 000	145 8053 000	145 8053 000	1	Vibration dumping
909 5182 000	909 5182 000	909 5182 000	2	Vibration dumping
Squeegee				
L08603830	L08603830	909 5348 000	1	Blade front
L08603832	L08603832	909 5350 000	1	Blade rear
L08603880	L08603880	L08603880	2	Squeegee bumper roller kit
L08603879	L08603879	L08603879	2	Squeegee wheel kit
145 0461 000	145 0461 000	145 0461 000	11	Wing nut
L08603675	L08603675	L08603675	2	Squeegee thumb nut
909 5399 000	909 5399 000	909 5399 000	1	Cable squeegee lift kit
Disc Brush deck				
L08602460	L08602460	L08602460	2	Roller bumper
909 5230 000	909 5230 000	909 5230 000	1	Electric motor+gear box
909 5380 000	909 5380 000	909 5380 000	1	Carbon brush kit
146 1037 000	146 1037 000	146 1037 000	1	Handwheel
145 8564 000	145 8564 000	145 8564 000	1	Split pin
909 5224 000	909 5224 000	909 5345 000	1	Splash guard
909 5369 000	909 5369 000	909 5369 000	1	Hose water brush deck kit

BOOK E			RICAMBI CONSIGLIATI / RECOMMENDED SPARE PARTS	2006-01
E	12.9.1	50	BA 600S/ BA 650S/ BA 750S - BA 600SC/ BA 750SC	2004-12

BA 600S	BA 650S	BA 750S	Qty	Description
Electrical system				
909 5254 000	909 5254 000	909 5254 000	1	Electronic card
909 5255 000	909 5255 000	909 5255 000	1	Electronic card traction
145 4799 000	145 4799 000	145 4799 000	1	Microswitch
909 5314 000	909 5314 000	909 5314 000	1	Rubber protection
909 5374 000	909 5374 000	909 5374 000	1	Gasket
909 5309 000	909 5309 000	909 5309 000	1	Switch
L08812909	L08812909	L08812909	1	Led board
909 5251 000	909 5251 000	909 5251 000	1	Push button
909 5250 000	909 5250 000	909 5250 000	2	Push button
145 4719 000	145 4719 000	145 4719 000	1	Knob for potentiometer
146 2888 000	146 2888 000	146 2888 000	1	Key switch
146 2887 000	146 2887 000	146 2887 000	1	Key (2pcs)
L08812350	L08812350	L08812350	1	Hour meter
L08603790	L08603790	L08603790	1	Knob for water lever
909 5101 000	909 5101 000	909 5101 000	1	Fuse 30A
145 1980 000	145 1980 000	145 1980 000	1	Fuse 100A
909 5375 000	909 5375 000	909 5375 000	1	Battery Charger kit
909 5829 000	909 5829 000	909 5829 000	1	Battery charger kit for machine w/o battery charger
909 6185 000	909 6185 000	909 6185 000	1	Battery Charger kit J
Cylindrical Brush Deck				
909 5725 000		909 5725 000	1	Crankcase belt protection left
909 5724 000		909 5724 000	1	Crankcase belt protection right
909 5758 000		909 5758 000	2	Pulley (electric motor)
909 5759 000		909 5759 000	2	Pulley (brush)
909 5760 000		909 5760 000	1	Right belt
909 5770 000		909 5770 000	4	Side blade
56314391			2	Brush 24" prolene
909 5752 000		909 5752 000	2	Blade
909 5761 000		909 5761 000	1	Left belt
		56412046	2	Brush 28" prolene
909 6131 000		909 6131 000	1	Cooling fan
909 5773 000			2	Electric motor 400W 24V (600 DECK)
		909 5774 000	2	Electric motor 600W 24V (750 DECK)
909 5877 000			4	Carbon brush for 909 5773 000
		L08603949	1	Carbon brush kit for 909 5774 000



Nilfisk-Advance SpA

Registered office: Via F. Turati 16/18, 20121 Milano

Administrative office: Strada Comunale della Braglia n° 18

26862 Guardamiglio (Lodi)

www.nilfisk-advance.com

Phone: +39 0377 451124

Fax: +39 0377 51443

Printed in Italy