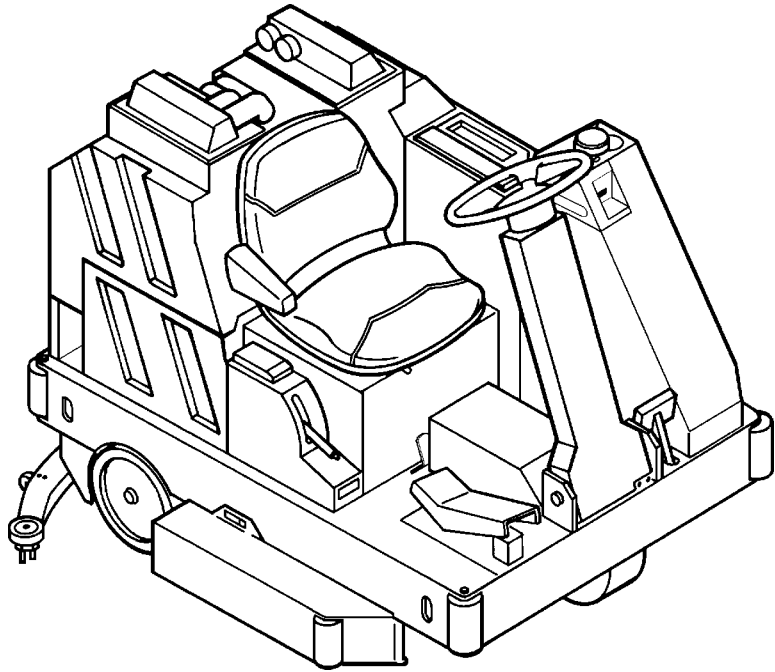


# Hydro-Retriever™ 3800

---

## BR 1000



**IVIE**  
Enterprises, Inc.

ORDER PARTS

Online: [www.ivie-ent.com](http://www.ivie-ent.com)

Phone: (918)254-5161

### **PARTS LIST**

**Advance MODEL 56409000**

**Nilfisk MODEL 56409629**

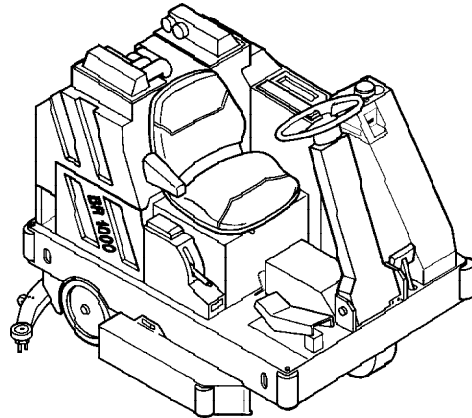
**All models covered in this manual are obsolete.**



**Nilfisk  
Advance**

*setting standards*

3/95 revised 1/03 FORM NUMBER 56042296  
BOOK E SECTION 8.3.1

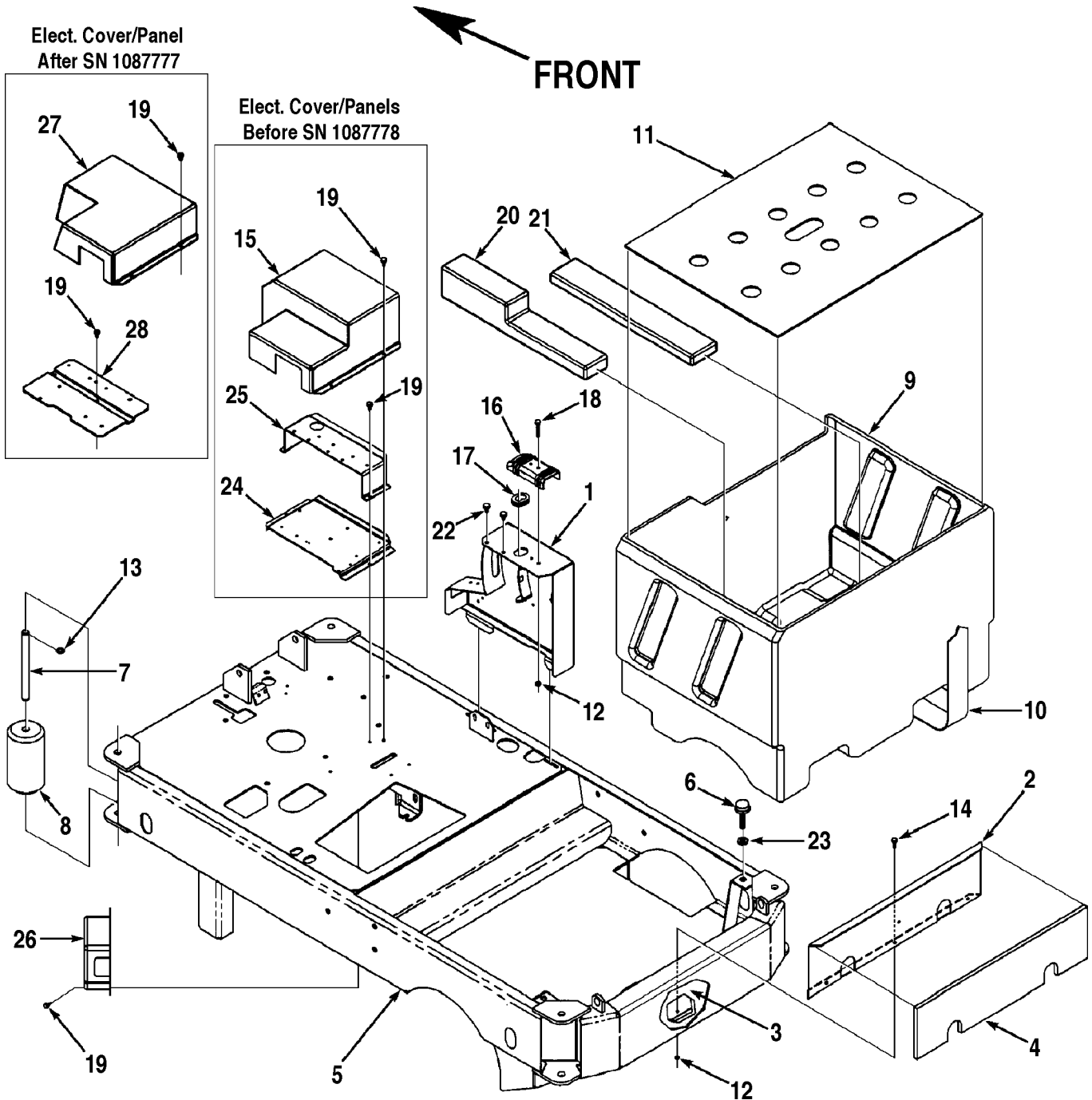


DESCRIPTION	PLAN
Chassis System .....	E-8.3.1-3
Drive Pedal (Control System) .....	E-8.3.1-5
Control Panel / Brake Pedal (Control System) .....	E-8.3.1-7
Seat / Brush Pressure Lever (Control System) .....	E-8.3.1-9
Steering System .....	E-8.3.1-11
Front Wheel System .....	E-8.3.1-13
Gear Case Lift (Brush Drive System) .....	E-8.3.1-15
Gear Case (Brush Drive System) .....	E-8.3.1-17
Scrub Brushes .....	E-8.3.1-17
Skirt System .....	E-8.3.1-19
Solution System .....	E-8.3.1-21
Recovery System .....	E-8.3.1-23
Vacuum System .....	E-8.3.1-25
Squeegee Mount (before SN 1084457) .....	E-8.3.1-27
Squeegee Mount (after SN 1084456) .....	E-8.3.1-29
Squeegee Assembly (before SN 1084457) .....	E-8.3.1-31
Squeegee Assembly (after SN 1084456) .....	E-8.3.1-33
Rear Wheel System .....	E-8.3.1-35
Decal System .....	E-8.3.1-37
Electrical System .....	E-8.3.1-39 - E-8.3.1-43
Wiring Diagram (before SN 1087778) .....	E-8.3.1-45
Wiring Diagram (after SN 1087777) .....	E-8.3.1-47
Extended Scrub Kit.....	E-8.3.1-49
Pre-Sweep Kit .....	E-8.3.1-51 - E-8.3.1-57
Dual Vacuum Motor Kit .....	E-8.3.1-59
Healight / Beacon / Backup Alarm Kits.....	E-8.3.1-61
Lift Sling / Overhead Guard / Foot Guard Kits .....	E-8.3.1-63
Vacuum Wand Caddy Kit .....	E-8.3.1-65
Industrial Kit / Front Panel Kit .....	E-8.3.1-67

#### WHEN ORDERING PARTS

- \* Use the 8 digit numbers from the "Ref. No." columns in this parts list.
- \* Specify the model and serial number of the machine.
- \* Use the space below to record the model and serial number for future reference.

Model \_\_\_\_\_ Serial No. \_\_\_\_\_



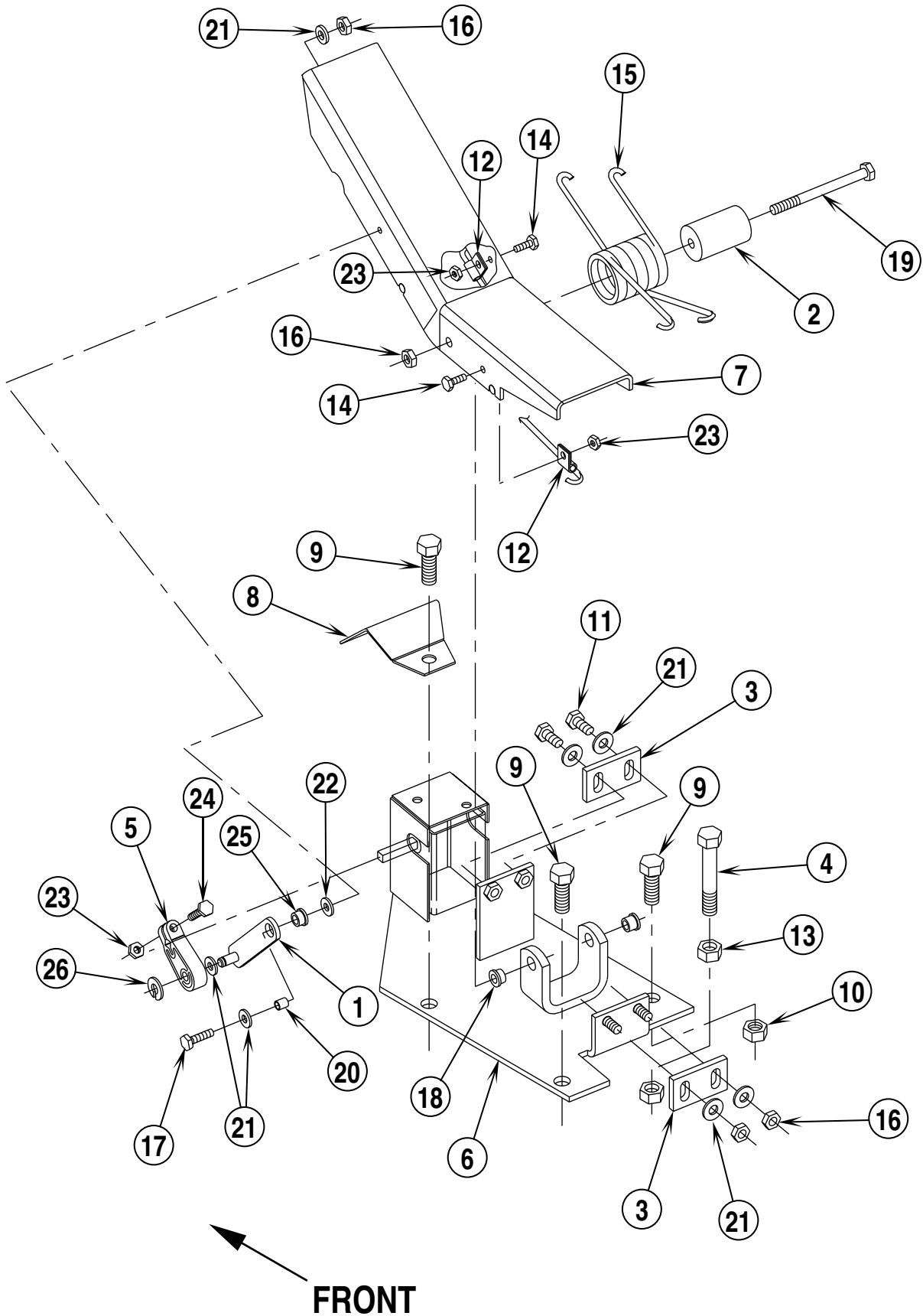
 **ORDER PARTS**  
Online: [www.ivie-ent.com](http://www.ivie-ent.com)  
Phone: (918)254-5161

95-3	<b>CHASSIS SYSTEM</b>	<b>BOOK E</b>		
02-7	<b>Hydro-Retriever™ 3800 / BR 1000</b>	<b>E</b>	<b>8.3.1</b>	<b>3</b>

Item	Ref. No.	Qty	Description
1	56409615	1	Side Panel ( <b>BR 1000</b> )
	56409175	1	Side Panel ( <b>3800</b> )
2	56409164	1	Baffle Plate
3	56409166	1	Accoustical Foam
4	56409167	1	Accoustical Foam
5	56409070	1	Chassis
6	56449221	2	Leveler
7	56409336	4	Pin
8	56409335	4	Roller Bumper
9	56409093	1	Battery Holder
10	56409067	2	Lift Strap
11	56409345	1	Battery Cover
12	56002708	5	1/4-20 Nyl Loc Nut
13	56003266	8	Retainer Ring
14	56002155	3	1/4-20 x 3/4 Screw
15	56409354	1	Electrical Cover (before SN 1087778)
16	56409661	1	Quick Disconnect Cover ( <b>BR 1000</b> )
	56409518	1	Quick Disconnect Cover ( <b>3800</b> )
17	56486116	1	Grommet
18	56001967	2	1/4-20 x 1-3/4 Screw
19	56009033	8	1/4-20 x 1/2 HP-5 Screw
20	56409499	2	Battery Spacer
21	56409498	1	Battery Spacer
22	56001862	2	5/16-18 x 1/2 Bolt
23	56009016	2	1/2-13 Jam Nut
24	56409350	1	Electrical Panel ( <b>before SN 1087778</b> )
25	56409351	1	Electrical Panel ( <b>before SN 1087778</b> )
26	56409360	1	Solenoid Panel Cover
27	56409674	1	Electrical Cover ( <b>after SN 1087777</b> )
28	56409672	1	Electrical Panel ( <b>after SN 1087777</b> )
**	56409225	A/R	Extended Scrub Kit
**	56409786	A/R	Presweep Kit
**	56409245	A/R	Dual Vacuum Motor Kit
**	56409631	A/R	Headlight Kit
**	56409242	A/R	Beacon Kit
**	56409244	A/R	Backup Alarm Kit
**	56409569	A/R	Lift Sling Kit
**	56409241	A/R	Overhead Guard Kit
**	56409508	A/R	Foot Guard Kit
**	56409694	A/R	Vacuum Wand Caddy Kit
**	56409591	A/R	Industrial Kit
**	56409603	A/R	Front Panel Kit ( <b>3800 only</b> )
**	56419369	A/R	Seat Belt Kit

\*\* = Optional

	<b>ORDER PARTS</b>
	Online: <a href="http://www.ivie-ent.com">www.ivie-ent.com</a> Phone: (918)254-5161

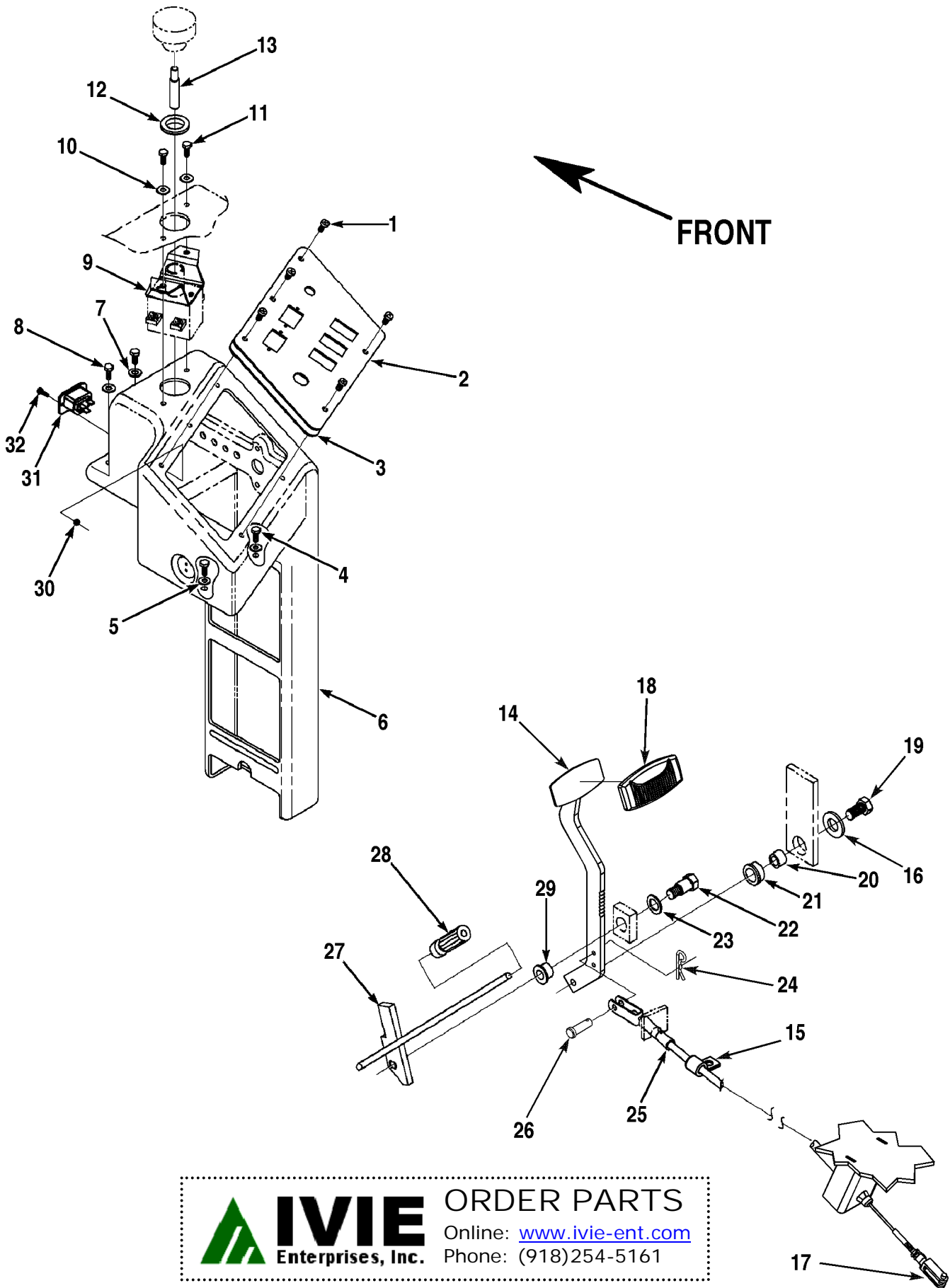


95-3	<b>CONTROL SYSTEM (DRIVE PEDAL)</b>	<b>BOOK E</b>		
00-10	<b>Hydro-Retriever™ 3800 / BR 1000</b>	<b>E</b>	<b>8.3.1</b>	<b>5</b>

Item	Ref. No.	Qty	Description
1	56409610	1	Link Weldment
2	56409378	1	Spacer, Nylon
3	56409377	2	Plate, Slide
4	56002684	1	Scr, Hex Hd 3/8-16 x 1.75
5	56409471	1	Lever, Throttle
6	56409375	1	Peddle Mount Weldment
7	56409369	1	Throttle Pedal Weldment
8	56409464	1	Wire Way
9	56002947	3	Scr, Hex Hd Loc 3/8-16 x 1.00
10	56002769	1	Nut, Hex Nyl Loc 3/8-16
11	56002948	2	Scr, Hex Hd 1/4-20 x .75
12	56220507	2	Clamp, P
13	56009085	1	Nut, Hex Jam 3/8-16
14	56001993	2	Scr, Pan Phil 10-24 x .50
15	56468243	2	Spring, Idler
16	56002708	4	Nut, Hex Nyl Loc 1/4-20
17	56002093	2	Scr, Hex Hd 1/4-20 x 1.00
18	56756318	2	Bearing, Flange
19	56002603	1	Scr, Hex Hd 1/4-20 x 3.00
20	56368989	1	Bushing
21	56002098	7	Wsh, Flt SAE 1/4
22	56454626	1	Wsh, Flt
23	56002768	3	Nut, Hex Nyl Loc 10-24
24	56002425	1	Scr, Hex Hd 10-24 x .88
25	56324505	1	Bearing, Flange
26	56003268	1	Ring, Ret Ext Type E Reinf



**IVIE** ORDER PARTS  
 Enterprises, Inc. Online: [www.ivie-ent.com](http://www.ivie-ent.com)  
 Phone: (918)254-5161



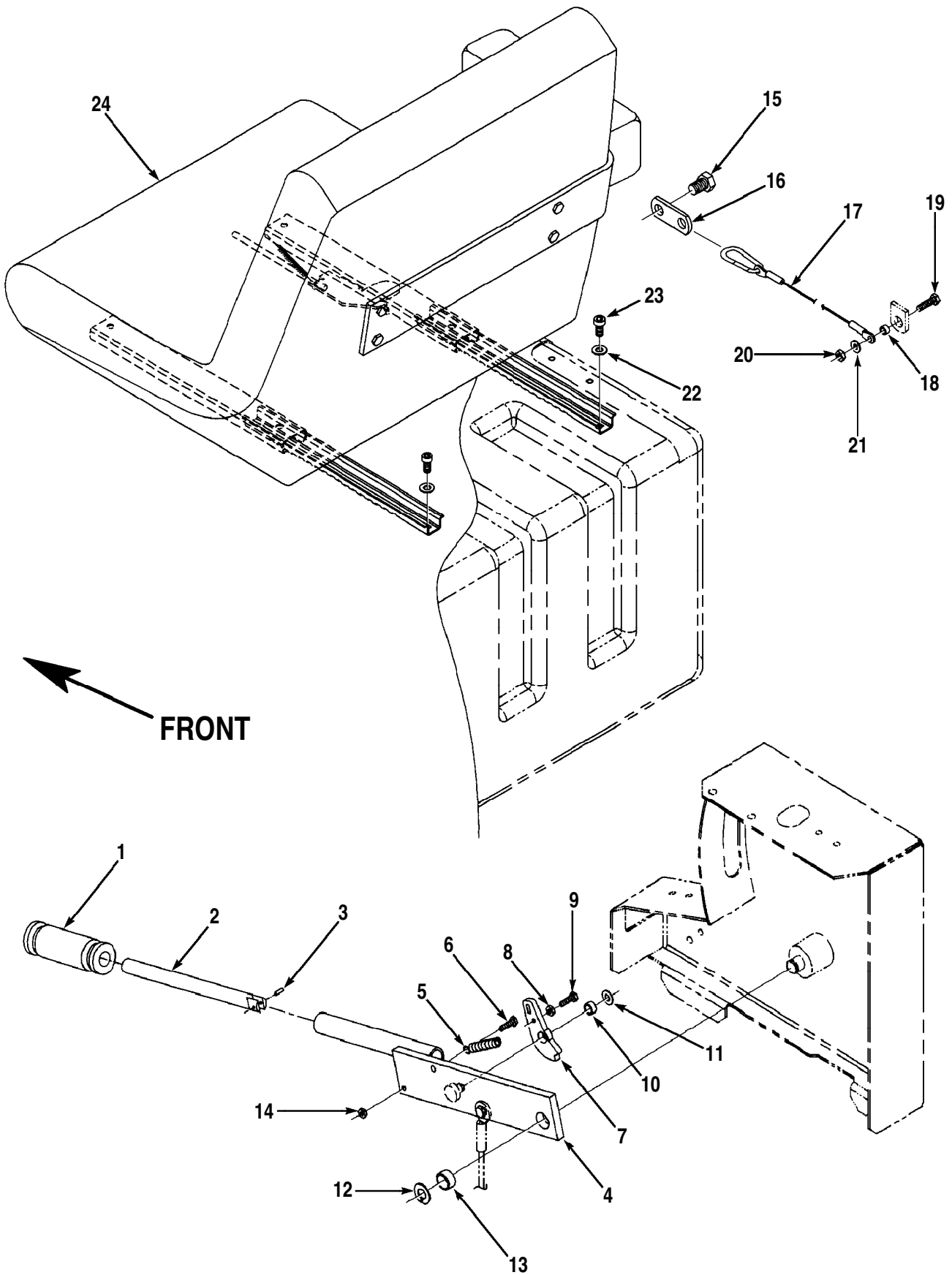
 **ORDER PARTS**  
Online: [www.ivie-ent.com](http://www.ivie-ent.com)  
Phone: (918)254-5161

95-3	<b>CONTROL SYSTEM (CTRL PNL / BRK PDL)</b>	<b>BOOK E</b>		
00-10	<b>Hydro-Retriever™ 3800 / BR 1000</b>	<b>E</b>	<b>8.3.1</b>	<b>7</b>

Item	Ref. No.	Qty	Description
1	56003119	5	1/4-20 x 1/2 SS Screw
2	56409533	1	Control Panel
3	56200754	29"	Gasket (74.5 cm)
4	56001836	2	1/4-20 x 5/8 Screw
5	56002098	2	1/4 Flat Washer
6	56409617	1	Control Box
7	56001939	2	5/16 Flat Washer
8	56001834	2	5/16-18 x 1-1/4 Bolt
9	56409531	1	Disconnect Mount
10	56454626	3	Wsh, Flt
11	56002957	2	Scr, Pan Phil SS 1/4-20 x .75
12	56409497	1	Grommet
13	56409385	1	Knob Extension
14	56409016	1	Brake Pedal <b>TSB 714</b>
15	56323260	3	Cable Clamp
16	56002168	1	Wsh, Flt Std 1/2
17	56416089	1	Clevis Assembly
18	56409457	1	Pad Pedal
19	56003022	1	Scr Hex Loc 1/2-13 x 1
20	56393272	1	Spacer
21	56250414	1	Flange Bearing
22	56409559	1	Scr, Hex Shd .62 x .72 x 1/2-13
23	56151858	1	Thrust Bearing
24	56002038	1	Cotter Pin
25	56409409	1	Brake Cable <b>TSB 714</b>
26	56493030	1	Clevis Pin
27	56409520	1	Latch
28	56471193	1	Grip
29	56171095	1	Flange Bearing
30	56002830	2	Nut Hex Nyl Loc #6-32
31	56250571	1	Receptacle
32	56002816	2	#6-32 x 1/2 Screw

	<b>ORDER PARTS</b> Online: <a href="http://www.ivie-ent.com">www.ivie-ent.com</a> Phone: (918)254-5161
---	--





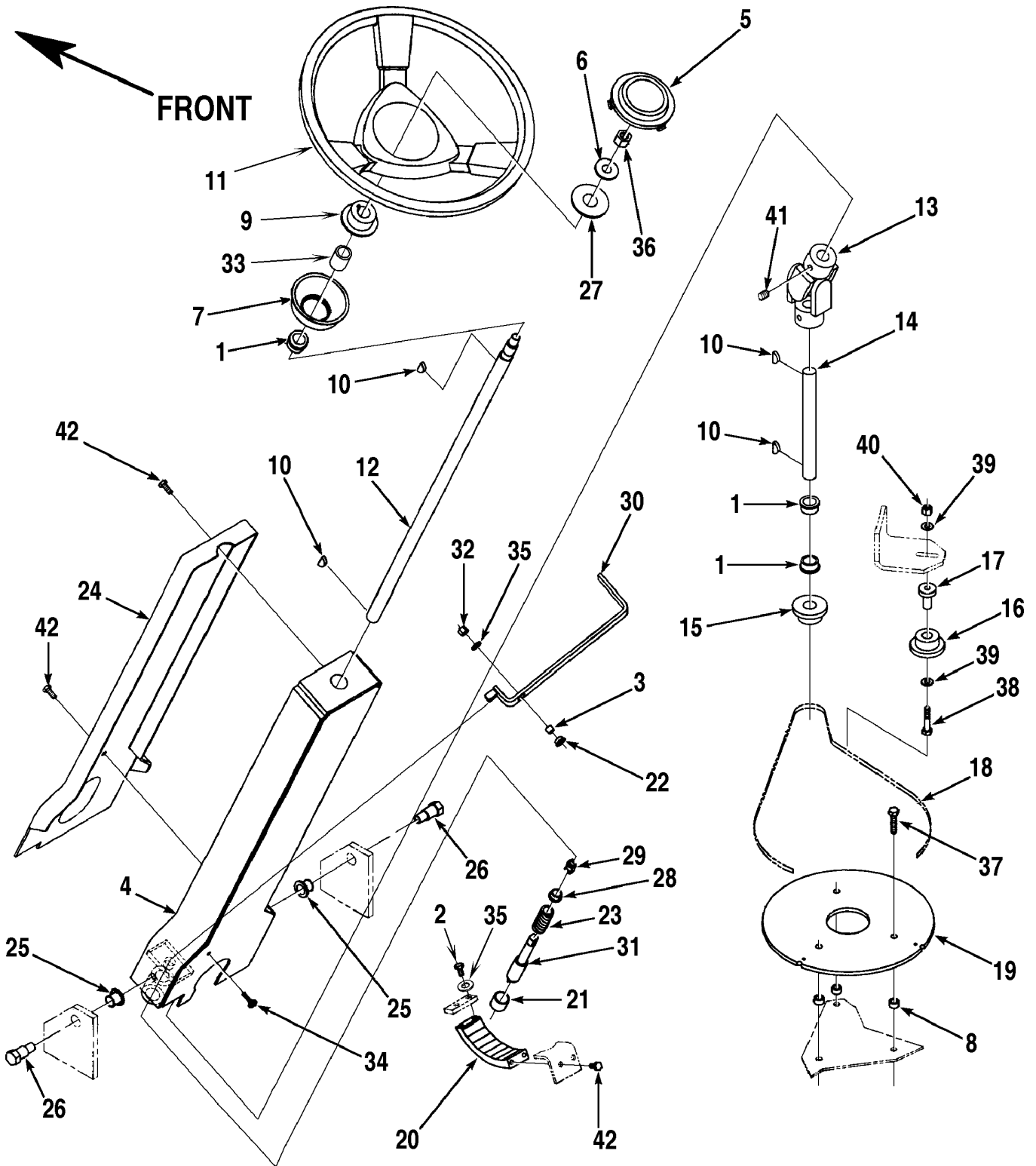
95-3	<b>CONTROL SYSTEM (SEAT / BRUSH LEVER)</b>	<b>BOOK E</b>		
02-7	<b>Hydro-Retriever™ 3800 / BR 1000</b>	<b>E</b>	<b>8.3.1</b>	<b>9</b>

Item	Ref. No.	Qty	Description
1	56393579	1	Handle Grip
2	56409146	1	Rod
3	56002474	1	1/8 x 5/8 Spring Pin
4	56409136	1	Lever
5	56344354	1	Extension Spring
6	56002824	1	#10-24 x 1-1/4 Screw
7	56409147	1	Pawl
8	56009009	2	#10-24 Machine Nut
9	56002504	1	#10-24 x 3/4 Screw
10	56368970	1	Sleeve Bearing
11	56003262	1	Retainer Ring
12	56003265	1	Retainer Ring
13	56370878	1	Sleeve Bearing
14	56002768	1	#10-24 Nyl Loc Nut
15	56003032	1	1/2-13 x 3/4 Bolt
16	56409536	1	Strap
17	56409537	1	Cable
18	56368997	1	Bushing
19	56002093	1	1/4-20 x 1 Screw
20	56002708	1	1/4-20 Nyl Loc Nut
21	56002098	1	1/4 Flat Washer
22	56001939	4	5/16 Flat Washer
23	56003118	4	5/16-18 x 5/8 Soc Hd Bolt
24	56409021	1	Seat
*	56409613	1	Seat switch
**	56419369	1	Seat Belt Kit

\* = Not Shown

\*\* = Optional

	<b>ORDER PARTS</b>
	Online: <a href="http://www.ivie-ent.com">www.ivie-ent.com</a>
	Phone: (918)254-5161



**IVIE**  
Enterprises, Inc.

ORDER PARTS

Online: [www.ivie-ent.com](http://www.ivie-ent.com)

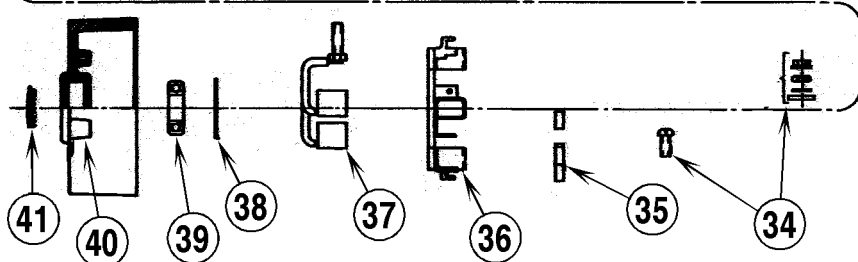
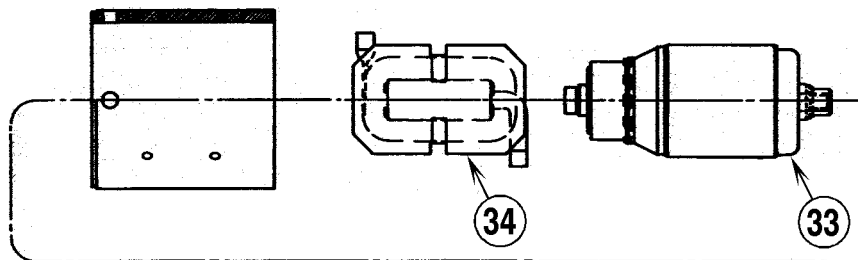
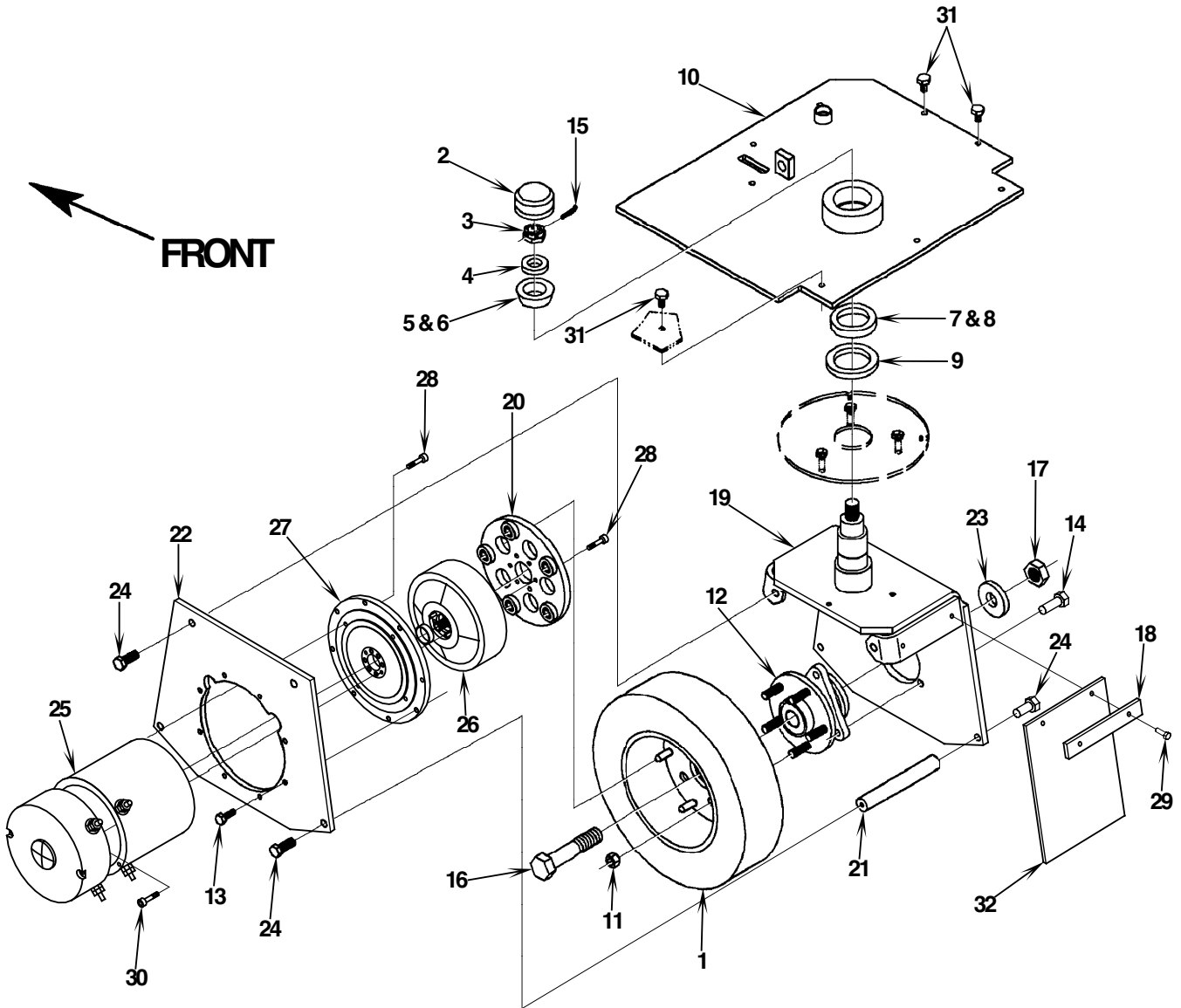
Phone: (918)254-5161

95-3	<b>STEERING SYSTEM</b>	<b>BOOK E</b>		
00-10	<b>Hydro-Retriever™ 3800 / BR 1000</b>	<b>E</b>	<b>8.3.1</b>	<b>11</b>

Item	Ref. No.	Qty	Description
1	56250414	3	Flange Bearing <b>TSB 727</b>
2	56009018	2	Scr Hex Hd Thd Form 1/4-20 x .75
3	56368989	1	Bushing
4	56409621	1	Column Weldment
5	56497543	1	Cap
6	56009115	1	Washer
7	56497308	1	Cup
8	56232181	3	Spacer
9	56497560	1	Steering Wheel Adaptor
10	56003228	4	Woodruf Key
11	56497306	1	Steering Wheel
12	56409076	1	Upper Steering Shaft
13	56454081	1	U-Joint
14	56409077	1	Lower Steering Shaft
15	56471148	1	Steering Sprocket
16	56454079	1	Tensioner Sprocket
17	56497311	1	Flange Bushing
18	56409078	1	Steering Chain
19	56497258	1	Steering Plate
20	56171104	1	Ratchet
21	56171267	1	Sleeve Bearing
22	56324505	1	Flange Bearing
23	56171123	1	Spring
24	56409619	1	Shroud
25	56171095	2	Flange Bearing
26	56409559	2	Scr, Hex Shd .62 x .72 x 1/2-13
27	56003342	2	Washer
28	56185264	1	Flange Bearing
29	56445096	1	Connector Link
30	56409641	1	Lever Weldment
31	56409358	1	Plunger
32	56002840	1	Nut, Hex Nyl Loc Thin 1/4-20
33	56409755	1	Bearing Sleeve
34	56002155	1	1/4-20 x 3/4 Screw
35	56002098	3	1/4 Flat Washer
36	56002868	1	Nut, Hex Nyl Loc-Thin 1/2-20
37	56003073	3	Scr Hex Loc 5/16-18 x 1.00
38	56002721	1	Scr Hex Hd 5/16-18 x 2.00
39	56001939	2	5/16 Flat Washer
40	56002701	1	5/16-18 Nyl Loc Nut
41	56001958	2	3/8-16 x 1/2 Soc Hd Bolt
42	56009033	4	1/4-20 x 1/2 HP-5 Screw



**IVIE** **ORDER PARTS**  
 Online: [www.ivie-ent.com](http://www.ivie-ent.com)  
 Phone: (918)254-5161

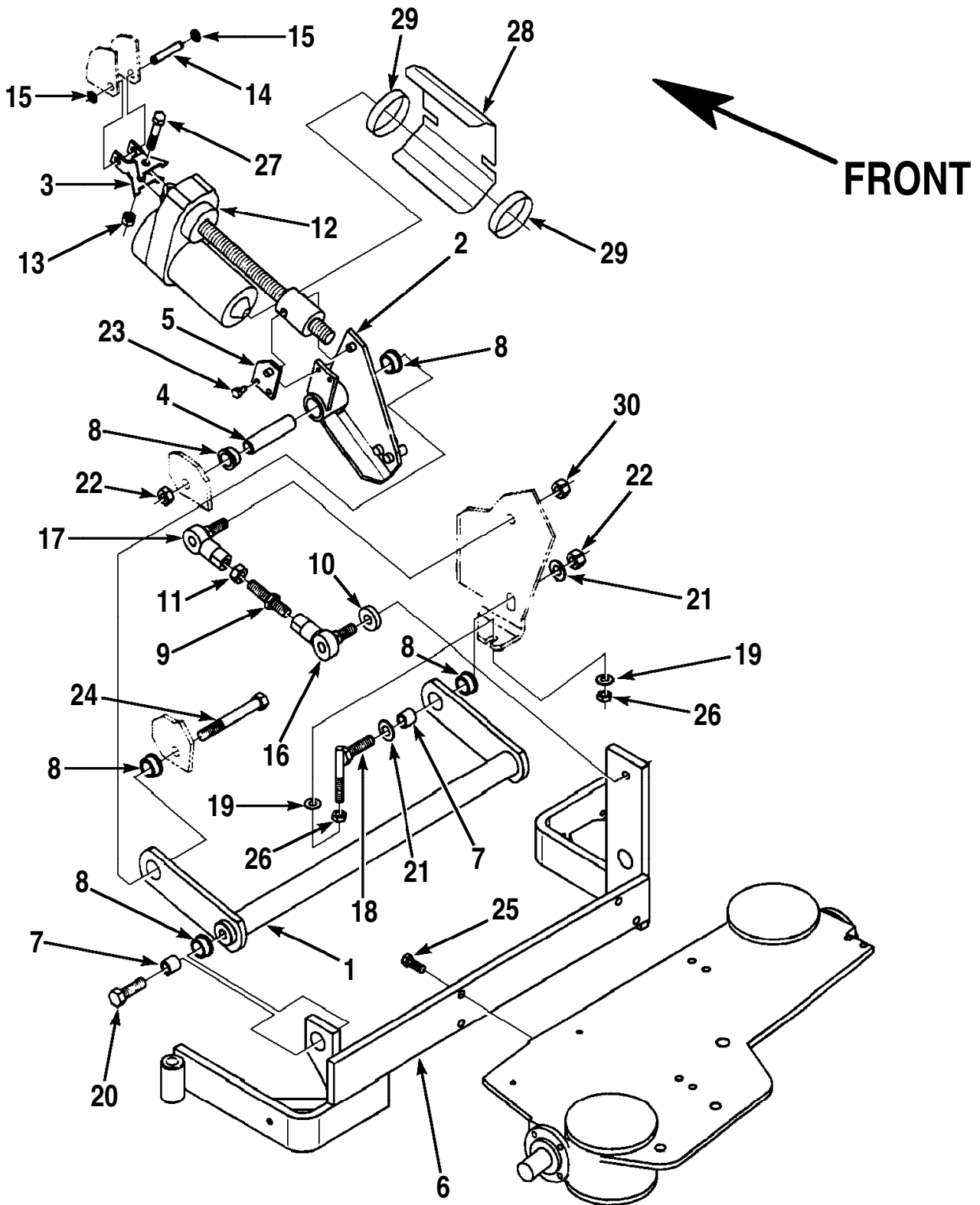


95-3	<b>FRONT WHEEL SYSTEM</b>	<b>BOOK E</b>		
02-1	<b>Hydro-Retriever™ 3800 / BR 1000</b>	<b>E</b>	<b>8.3.1</b>	<b>13</b>

Item	Ref. No.	Qty	Description
1	56409663	1	Front Wheel
**	56409878	1	Wheel, White, Non-Marking Front
2	56483135	1	Grease Cap
3	56110817	1	7/8-14 Castle Nut
4	56497241	1	Bushing
5	56492699	1	Bearing Cone
6	56492697	1	Bearing Cup
7	56492700	1	Bearing Cone
8	56492702	1	Bearing Cup
9	56493191	1	Radial Lip Seal
10	56409032	1	Housing
11	56009116	5	1/2-20 Lug Nut
12	56409068	1	Hub
13	56003073	8	5/16-18 x 1 Loc Bolt
14	56009119	3	M12-1.75 x 25 mm Bolt
15	56002181	1	1/8 x 1-1/2 Cotter Pin
16	56003111	1	1-8 x 5 Bolt
17	56003110	1	1-8 Nyl Loc Nut
18	56409730	1	Clamp
19	56409330	1	Spindle <b>TSB 669</b>
20	56409754	1	Drive Plate Assy
21	56409382	2	Spacer
22	56409326	1	Motor Mount Plate
23	56409074	1	Spacer
24	56003022	6	1/2-13 x 1-1/4 Loc Bolt
25	56409033	1	Drive Motor 36VDC / 2HP (see #33-41) <b>TSB 692</b>
26	56409034	1	Gearbox <b>TSB 692</b>
27	56409500	1	End Plate <b>TSB 692</b>
28	56002149	10	1/4-20 x 3/4 Soc Hd Screw
29	56002686	2	Scr, Hex Thd Form 1/4-20 x 1.00
30	56003307	6	1/4-28 x 1-1/4 Soc Hd Screw <b>TSB 692</b>
31	56003079	6	3/8-16 x 3/4 Loc Bolt
32	56409729	1	Guard, Splash
33	56409744	1	Armature Assy
34	56409745	1	Field Coil Kit
35	56409746	A/R	Brush Spring
36	56409747	1	Brush Plate & Box Assy
37	56409748	1	Brush Replacement Kit
38	56409749	1	Snap Ring
39	56409750	1	Bearing
40	56409751	1	Commutator Endhead
41	56409752	1	Cap Plug

\*\* = Optional

	<b>ORDER PARTS</b>
	Online: <a href="http://www.ivie-ent.com">www.ivie-ent.com</a> Phone: (918)254-5161



95-3	<b>BRUSH DRIVE SYSTEM (GEAR CASE LIFT)</b>	<b>BOOK E</b>		
00-10	<b>Hydro-Retriever™ 3800 / BR 1000</b>	<b>E</b>	<b>8.3.1</b>	<b>15</b>

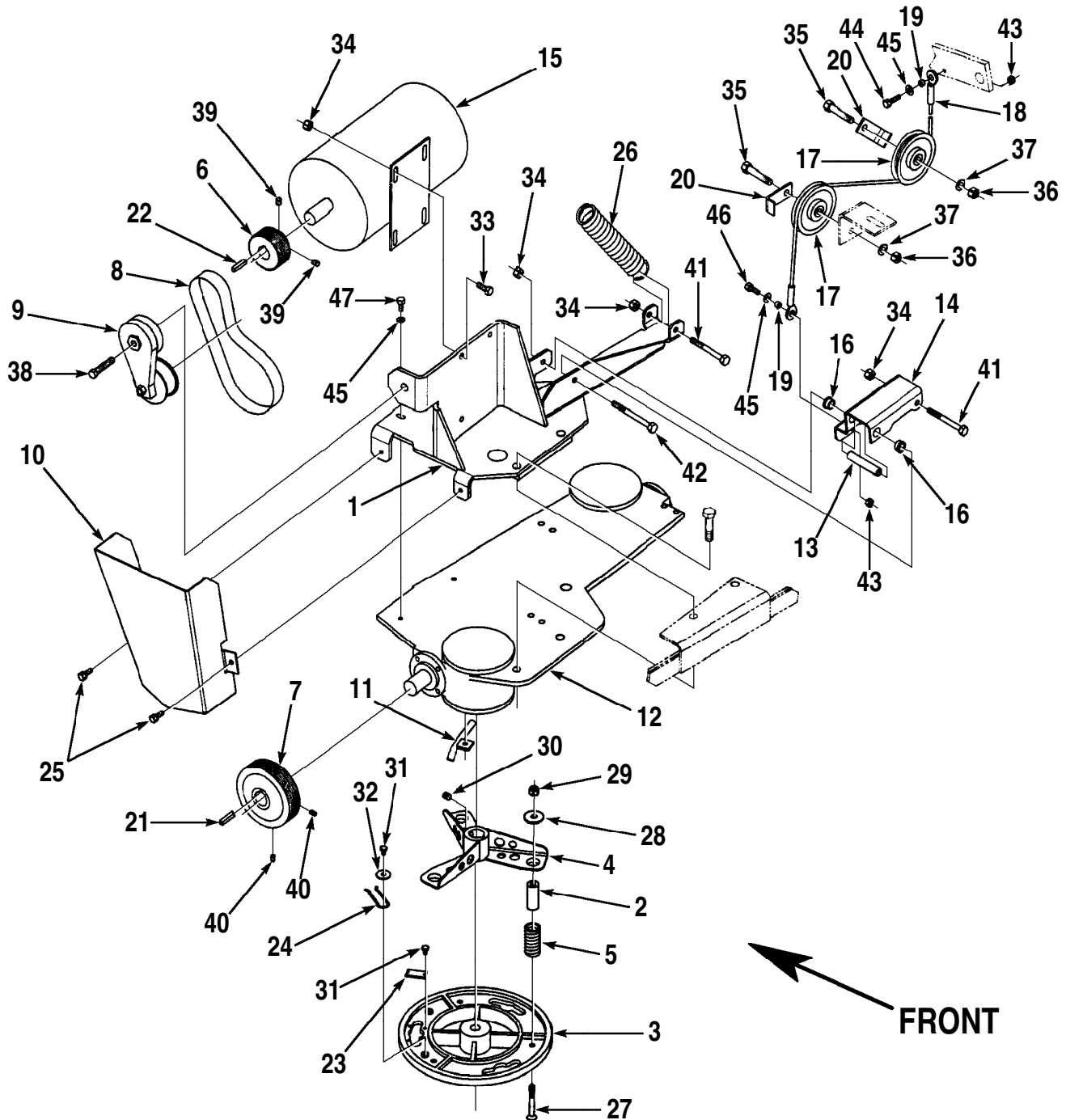
Item	Ref. No.	Qty	Description
1	56409105	1	Arm
2	56409106	1	Lift Arm
3	56392454	1	Bracket
4	56393274	1	Bushing
5	56393258	1	Arm
6	56409110	1	Mount
7	56393272	3	Bushing
8	56250414	6	Flange Bearing
9	56409404	1	Linkage Stud
10	56393273	1	Spacer
11	56009089	1	1/2-20 Jam Nut
12	56391627	1	Lift Actuator
*	56470431	1	Carbon Brush Kit (for 56391627)
*	56388520	1	Plastic Drive Nut (for 56391627)
13	56002841	1	3/8-16 Thin Nyl Loc Nut
14	56402995	1	Pin
15	56003262	2	Retainer Ring
16	56409405	1	L.H. Ball Joint
17	56477813	1	Ball Joint
18	56409406	1	Adjuster
19	56002063	2	3/8 Flat Washer
20	56002954	2	1/2-13 x 1-1/2 Loc Bolt
21	56001879	2	1/2 Flat Washer
22	56002770	2	1/2-13 Nyl Loc Nut
23	56002922	2	1/4-20 x 5/8 Loc Screw
24	56002484	1	1/2-13 x 4-1/2 Bolt
25	56002947	4	3/8-16 x 1 Loc Bolt
26	56009085	2	3/8-16 Jam Nut
27	56002684	1	3/8-16 x 1-3/4 Bolt
28	56409578	1	Cable Shield
29	56456797	2	Hose Clamp
30	56002773	1	1/2-20 Nyl Loc Nut

\* = Not Shown



**IVIE** ORDER PARTS  
 Enterprises, Inc. Online: [www.ivie-ent.com](http://www.ivie-ent.com)  
 Phone: (918)254-5161





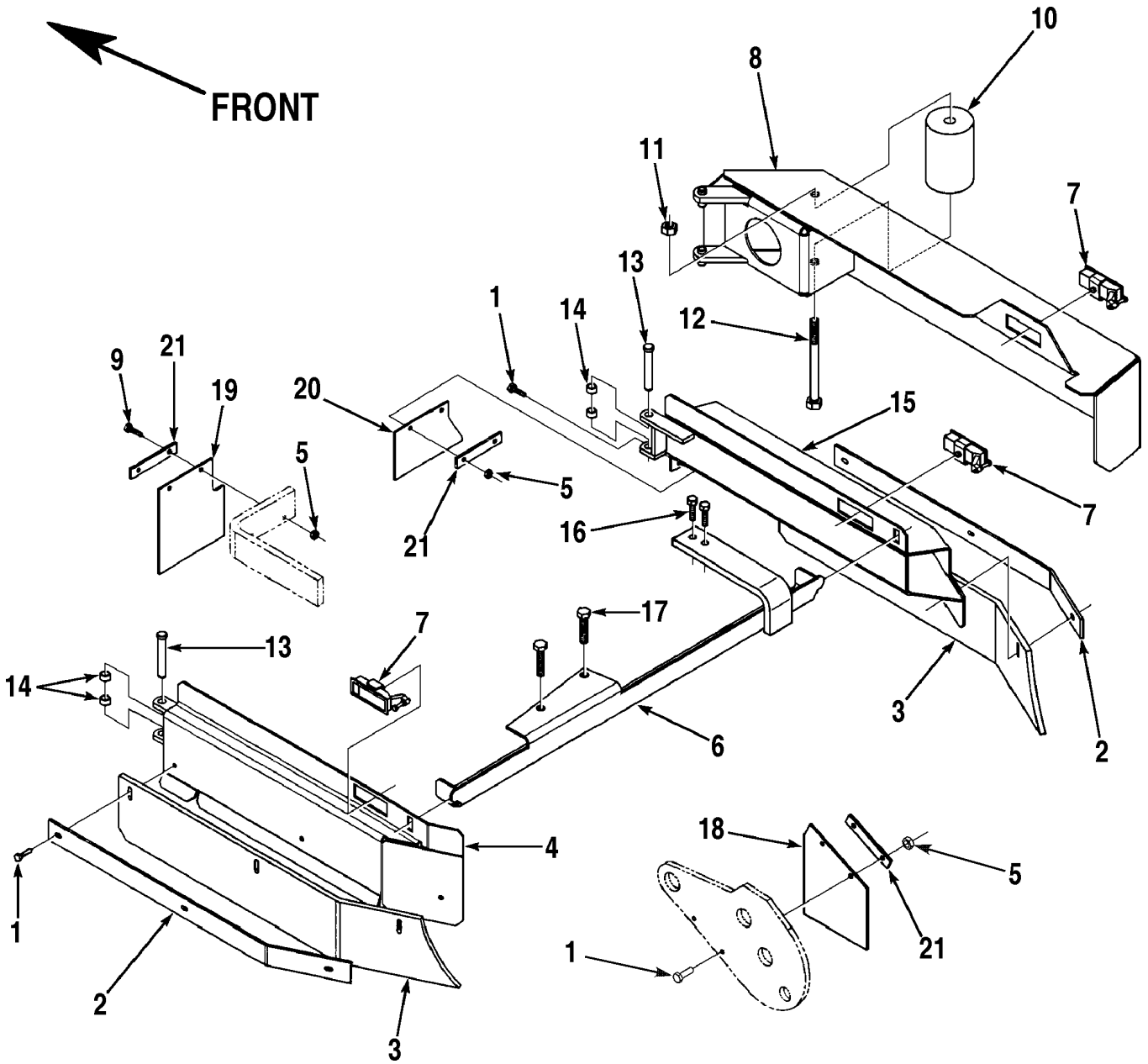
 **IVIE** Enterprises, Inc. **ORDER PARTS**  
Online: [www.ivie-ent.com](http://www.ivie-ent.com)  
Phone: (918)254-5161

95-3	<b>BRUSH DRIVE SYSTEM (GEAR CASE)</b>	<b>BOOK E</b>		
00-10	<b>Hydro-Retriever™ 3800 / BR 1000</b>	<b>E</b>	<b>8.3.1</b>	<b>17</b>

Item	Ref. No.	Qty	Description	Item	Ref. No.	Qty	Description
1	56409111	1	Motor Mount	29	56002851	6	5/16-18 SS Thin Nyl Loc Nut
2	56409109	6	Spacer	30	56003081	2	3/8-16 x 3/8 SS Loc Set Screw
3	56391611	2	Brush Holder	31	56009012	6	#10-24 x 3/8 HP-5 Screw
4	56392396	2	Drive Adaptor	32	56009096	2	Washer
5	56409115	6	Spring	33	56002037	3	5/16-18 x 7/8 Bolt
6	56409116	1	Sheave, Poly V	34	56002701	6	5/16-18 Nyl Loc Nut
7	56392400	1	Sheave, Poly V	35	56002091	2	3/8-16 x 2 Bolt
8	56755263	1	Poly V Belt	36	56002769	2	3/8-16 Nyl Loc Nut
9	56409117	1	Idler, Belt	37	56002063	2	3/8 Flat Washer
10	56409118	1	Belt Guard	38	56003031	1	3/8-16 x 2 Loc Bolt
11	56393260	2	Solution Pipe	39	56002021	2	5/16-18 x 3/8 Loc Set Screw
12	56409124	1	Gearcase	40	56002930	2	1/4-20 x 3/8 Loc Set Screw
*	56471185	A/R	Output Shaft Assy	41	56003025	2	5/16-18 x 3 Bolt
13	56393520	1	Pivot	42	56002827	1	5/16-18 x 3-1/2 Bolt
14	56409140	1	Spring Arm	43	56002708	2	1/4-20 Nyl Loc Nut
15	56409825	1	Motor, 3 HP	44	56002093	1	1/4-20 x 1 Screw
*	56409827	1	Replacement Parts <b>(includes next 11 Items)</b>	45	56002098	4	1/4 Flat Washer
*	56409738	1	Brush Spring (4 required)	46	56002155	1	1/4-20 x 3/4 Screw
*	56409739	4	Brush Assy.	47	56002922	2	1/4-20 x 5/8 Screw
*	56409828	1	Wsh, Bearing Spring	**	56505790	2	Pad Holder
*	56409829	1	Bearing	**	56505791	2	Magna Grit 46 Brush
*	56409830	1	Bearing	**	56505792	2	Dyna Grit 80 Brush
*	56409831	1	Complete Commutator Cover Assy.	**	56505793	2	AgLite Grit 500 Brush
*	56409832	1	Commutator Cover	**	56505794	2	Prolene Brush
*	56409833	1	Complete Brush Ring Assy.	**	56505795	2	Prolite Brush
*	56409834	1	Pulley Cover	**	56505796	2	Union Mix Brush
*	56409835	1	Complete Stator Assy.	**	56505797	2	MidGrit 240 Brush
*	56409836	1	Complete Armature Assy.	**	56505798	2	MidLite 180 Brush
16	56185264	2	Flange Bearing				
17	56409141	2	Pulley	** = Not Included			
18	56409142	1	Cable				
19	56368997	2	Bushing				
20	56409143	2	Cable Locating Strap				
21	56003245	1	1/4 x 1-3/16 Key				
22	56003240	1	3/16 x 1-1/8 Key				
23	56366455	2	Stop				
24	56366463	2	Retaining Spring				
25	56009033	2	1/4-20 x 1/2 HP-5 Screw				
26	56376880	2	Spring				
27	56003016	6	5/16-18 x 2-1/4 SS Bolt				
28	56009094	6	Washer				



**IVIE** **ORDER PARTS**  
 Online: [www.ivie-ent.com](http://www.ivie-ent.com)  
 Phone: (918)254-5161

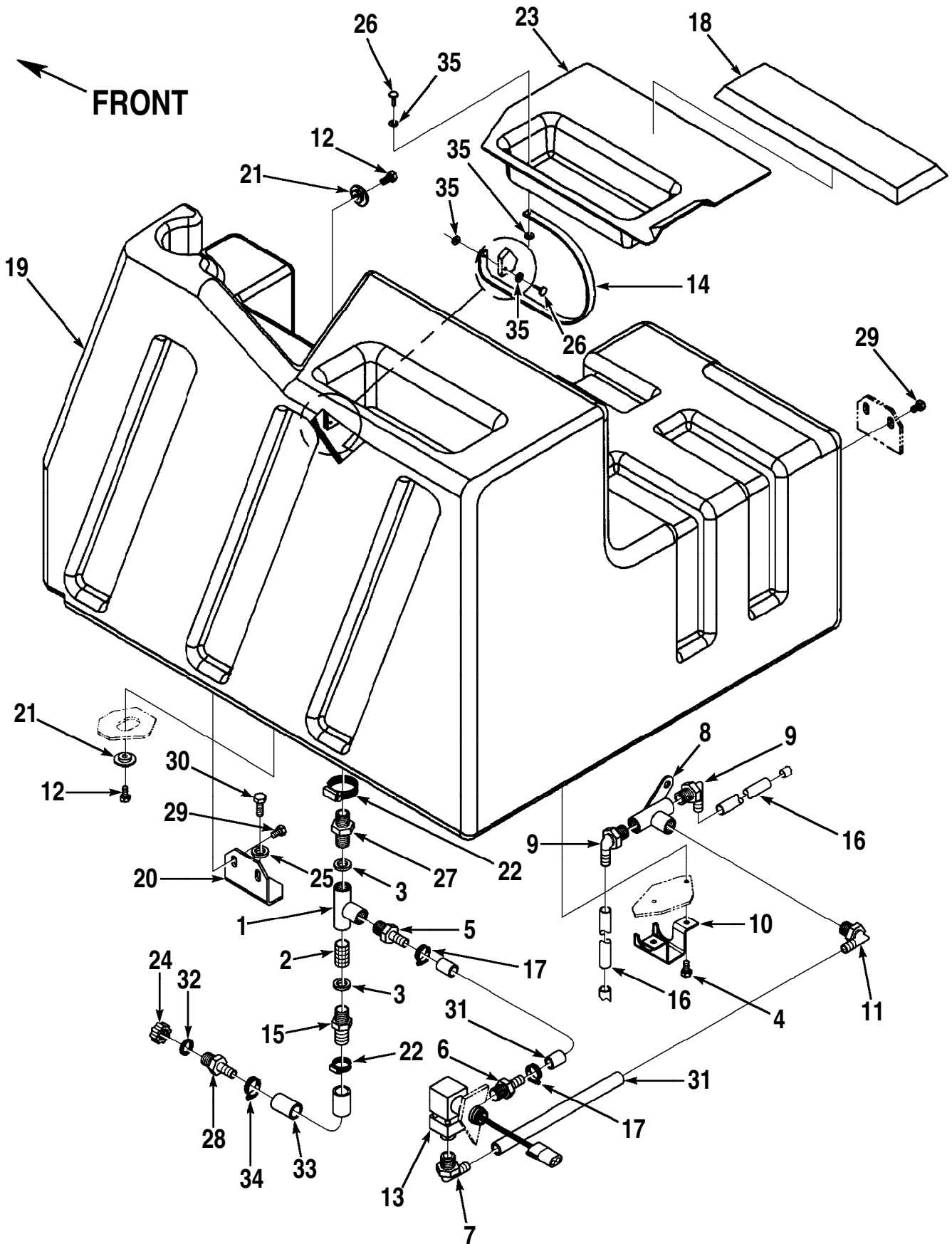


 **IVIE** Enterprises, Inc. **ORDER PARTS**  
Online: [www.ivie-ent.com](http://www.ivie-ent.com)  
Phone: (918)254-5161

95-3	<b>SKIRT SYSTEM</b>	<b>BOOK E</b>		
00-10	<b>Hydro-Retriever™ 3800 / BR 1000</b>	<b>E</b>	<b>8.3.1</b>	<b>19</b>

Item	Ref. No.	Qty	Description
1	56002883	8	1/4-20 x 1 SS Screw
2	56409128	2	Blade Retaining Strap
3	56409103	2	Blade, Gum Rubber
	56409724	2	Blade, Oil Resistant
4	56409100	1	Left Splash Guard
5	56002850	6	1/4-20 SS Nyl Loc Nut
6	56409096	1	Skirt Latch Bracket
7	56418471	3	Door Latch
8	56409173	1	Right Outside Splash Guard
9	56002897	2	1/4-20 x 1-1/4 SS Screw
10	56392102	1	Roller Bumper
11	56002843	1	1/2-13 Thin Nyl Loc Nut
12	56003291	1	1/2-13 x 6 Bolt
13	56360147	2	Pin
14	56366633	4	Bushing
15	56409131	1	Right Inside Splash Guard
16	56003029	2	Scr, Hex Loc 3/8-16 x 1.25
17	56003317	2	Scr, Hex Loc 5/8-11 x 1.50
18	56409403	1	Blade
19	56409400	1	Blade
20	56409401	1	Blade
21	56409402	3	Strap

	<b>ORDER PARTS</b>
	Online: <a href="http://www.ivie-ent.com">www.ivie-ent.com</a> Phone: (918)254-5161



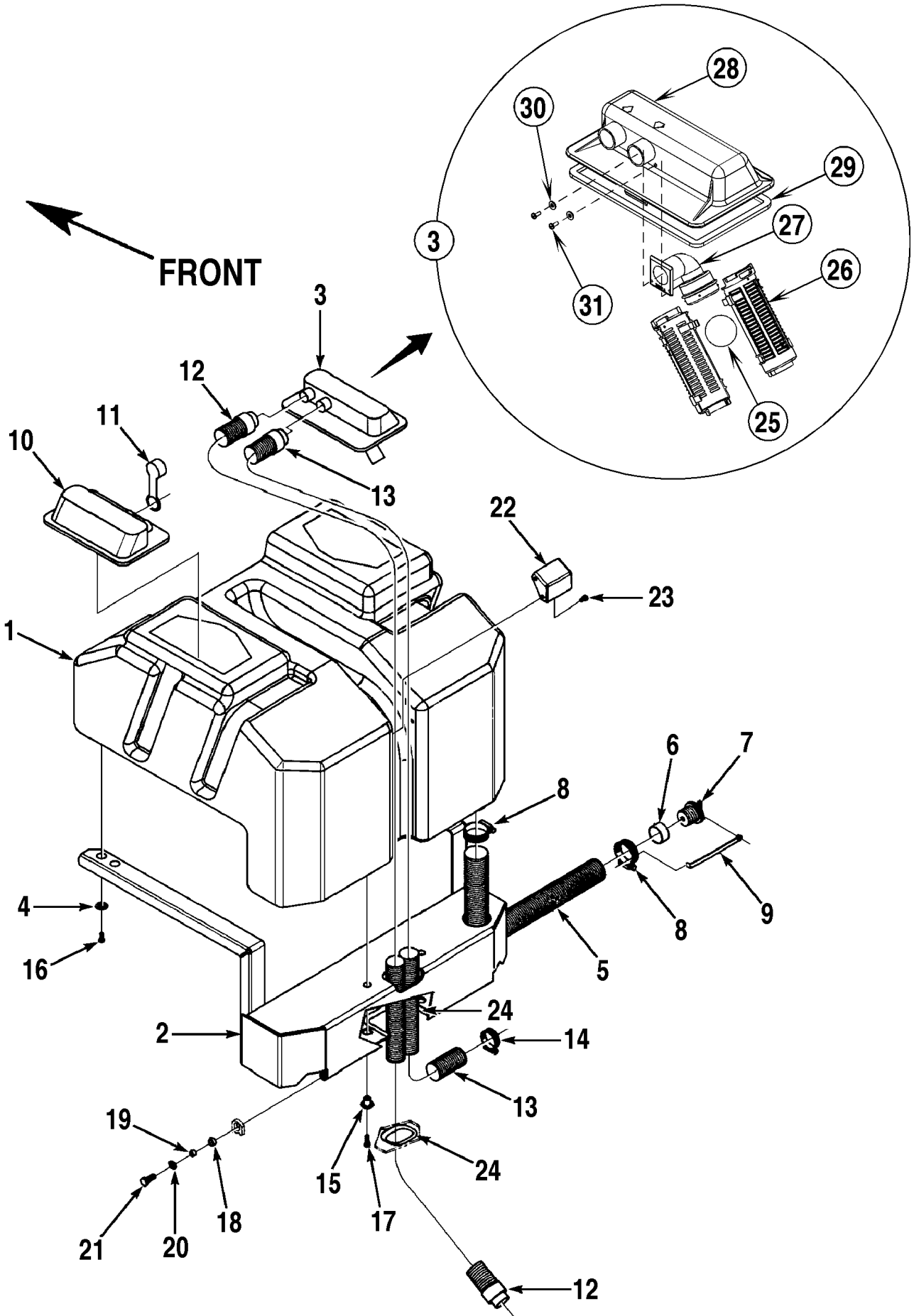
95-3	<b>SOLUTION SYSTEM</b>	<b>BOOK E</b>		
00-10	<b>Hydro-Retriever™ 3800 / BR 1000</b>	<b>E</b>	<b>8.3.1</b>	<b>21</b>

Item	Ref. No.	Qty	Description
1	56324029	1	Tee
2	56324030	1	Filter
3	56324313	2	Rubber Washer
4	56009033	2	1/4-20 x 1/2 HP-5 Screw
5	56393385	1	Barb Fitting
6	56409507	1	Barb Fitting
7	56900069	1	Elbow Barb Fitting
8	56454612	1	Flow Control Valve
9	56900033	2	Elbow Barb Fitting
10	56409153	1	Valve Bracket
11	56409152	1	Elbow Barb Fitting
12	56002035	3	5/16-18 x 5/8 Bolt
13	56409154	1	Solenoid Valve
*	56324506	1	Viton Seal Kit (for 56409154)
*	56324507	1	EPDM Seal Kit (for 56409154)
*	56324250	1	Conduit Nipple (for 56409154)
*	56171094	1	Lock Nut (for 56409154)
14	56409535	1	Retaining Strap
15	56900292	1	Barb Fitting
16	56391773	2	Hose
17	56219932	2	Hose Clamp
18	56409184	1	Armrest Pad
19	56409623	1	Solution Tank (BR 1000)
	56409176	1	Solution Tank (3800)
20	56409316	1	Tank Bracket
21	56409319	3	Spacer
22	56244969	2	Hose Clamp
23	56409534	1	Solution Cover
24	56255076	1	Cap
25	56002063	1	3/8 Flat Washer
26	56003293	2	Rivet
27	56456799	1	Nipple
28	56900273	1	Barb Fitting
29	56001862	4	5/16-18 x 1/2 Bolt
30	56002663	1	3/8-16 x 1 Bolt
31	56409462	2	Hose
32	56368776	1	Washer
33	56456835	1	Hose
34	56477613	1	Cable Tie
35	56009098	4	SS 1/8 Flat Washer

\* = Not Shown



**IVIE** ORDER PARTS  
 Enterprises, Inc. Online: [www.ivie-ent.com](http://www.ivie-ent.com)  
 Phone: (918)254-5161



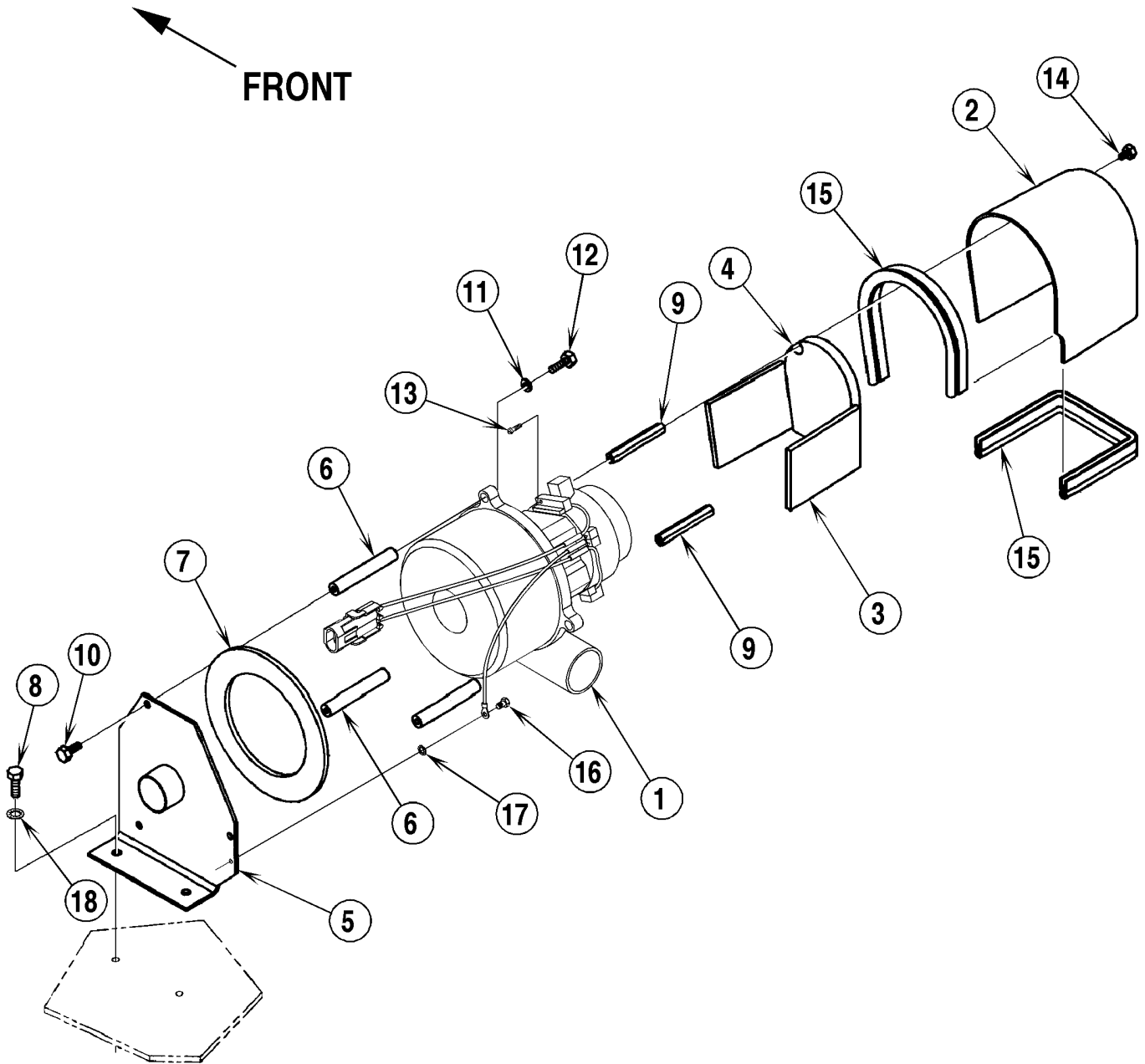
95-3	<b>RECOVERY TANK SYSTEM</b>	<b>BOOK E</b>		
00-10	<b>Hydro-Retriever™ 3800 / BR 1000</b>	<b>E</b>	<b>8.3.1</b>	<b>23</b>

Item	Ref. No.	Qty	Description
1	56409622	1	Recovery Tank ( <b>BR 1000</b> )
	56409095	1	Recovery Tank ( <b>3800</b> )
2	56409185	1	Recovery Tank Mount
3	56324045	1	Cover Assembly ( <b>#25-31</b> )
4	56409319	4	Spacer
5	56409311	1	Drain Hose
6	56459250	1	Tube
7	56459253	1	Plug
8	56440213	2	Hose Clamp
9	56261378	1	Strap
10	56262577	1	Cover
*	56262576	1	Gasket ( <b>for 56262577</b> )
11	56409390	2	Cap
12	56409427	1	Hose ( <b>squeegee</b> )
13	56409428	1	Hose ( <b>vacuum motor</b> )
14	56329145	1	Hose Clamp
15	56409479	2	Long Spacer
16	56002667	4	5/16-18 x 3/4 Bolt
17	56002221	2	5/16-18 x 1 Bolt
18	56367168	2	Bearing
19	56367206	2	Bushing
20	56367214	2	1/2 Flat Washer
21	56003022	2	1/2-13 x 1-1/4 Bolt
22	56409501	1	Support Plate
23	56001862	3	5/16-18 x 1/2 Bolt
24	56900678	2'	Conduit (62 cm)
25	56391690	1	Ball
26	56324497	2	Cage, Float
27	56324298	1	Elbow, Float
28	56324046	1	Cover, Tank
29	56262576	1	Gasket
30	56209261	2	Washer, Sealing 9/16
31	56003633	2	Scr, Pan Phil SS Type B 10-16 x .50

\* = Not Shown

	<b>ORDER PARTS</b>
	Online: <a href="http://www.ivie-ent.com">www.ivie-ent.com</a> Phone: (918)254-5161





**IVIE**  
Enterprises, Inc.

ORDER PARTS

Online: [www.ivie-ent.com](http://www.ivie-ent.com)

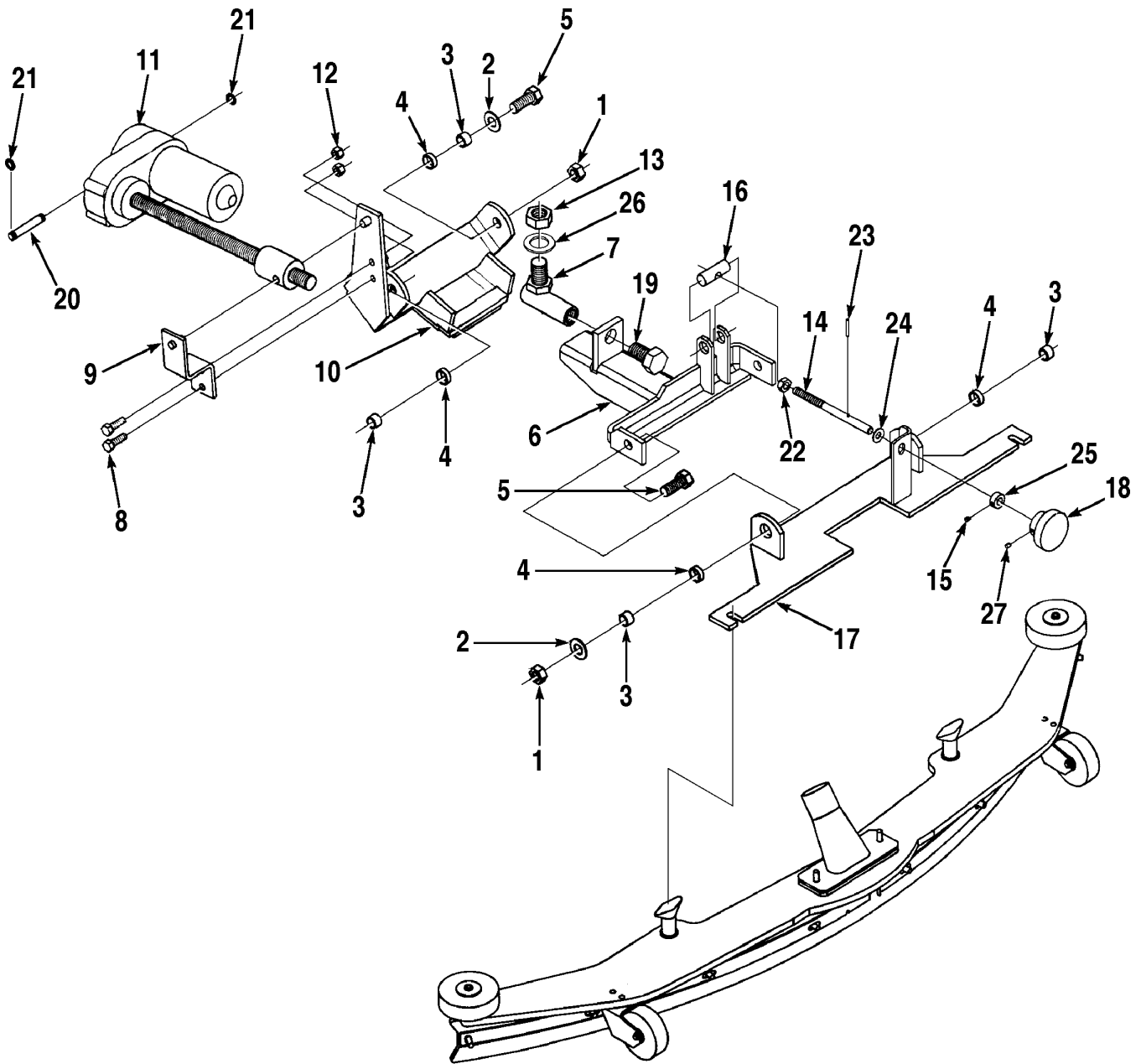
Phone: (918)254-5161

95-3	<b>VACUUM SYSTEM</b>	<b>BOOK E</b>		
01-11	<b>Hydro-Retriever™ 3800 / BR 1000</b>	<b>E</b>	<b>8.3.1</b>	<b>25</b>

Item	Ref. No.	Qty	Description
1	56409705	1	Vacuum Motor
*	56377001	1	Carbon Brush Kit (for 56409705)
2	56409383	1	Motor Cover
3	56409541	2	Accoustical Foam
4	56409542	1	Accoustical Foam
5	56409163	1	Vacuum Motor Mount
6	56377475	3	Standoff
7	56385437	1	Gasket
8	56002956	2	5/16-18 x 7/8 Loc Bolt
9	56391795	2	Standoff
10	56003039	3	1/4-20 x 1/2 Screw
11	56002098	3	1/4 Flat Washer
12	56002948	3	1/4-20 x 3/4 Screw
13	56002005	2	#6-32 x 5/8 Screw
14	56009075	2	#8-32 x 3/8 HP-5 Screw
15	56409584	2	Gasket
16	56009063	1	Scr, Hex Hd Thd Form 10-24 x .25
17	56009011	1	Wsh, Int Shprf #10
18	56009052	2	Wsh, Int Shprf 5/16

\* = Not Shown

	<b>ORDER PARTS</b>
	Online: <a href="http://www.ivie-ent.com">www.ivie-ent.com</a> Phone: (918)254-5161



FRONT



**IVIE**  
Enterprises, Inc.

ORDER PARTS

Online: [www.ivie-ent.com](http://www.ivie-ent.com)

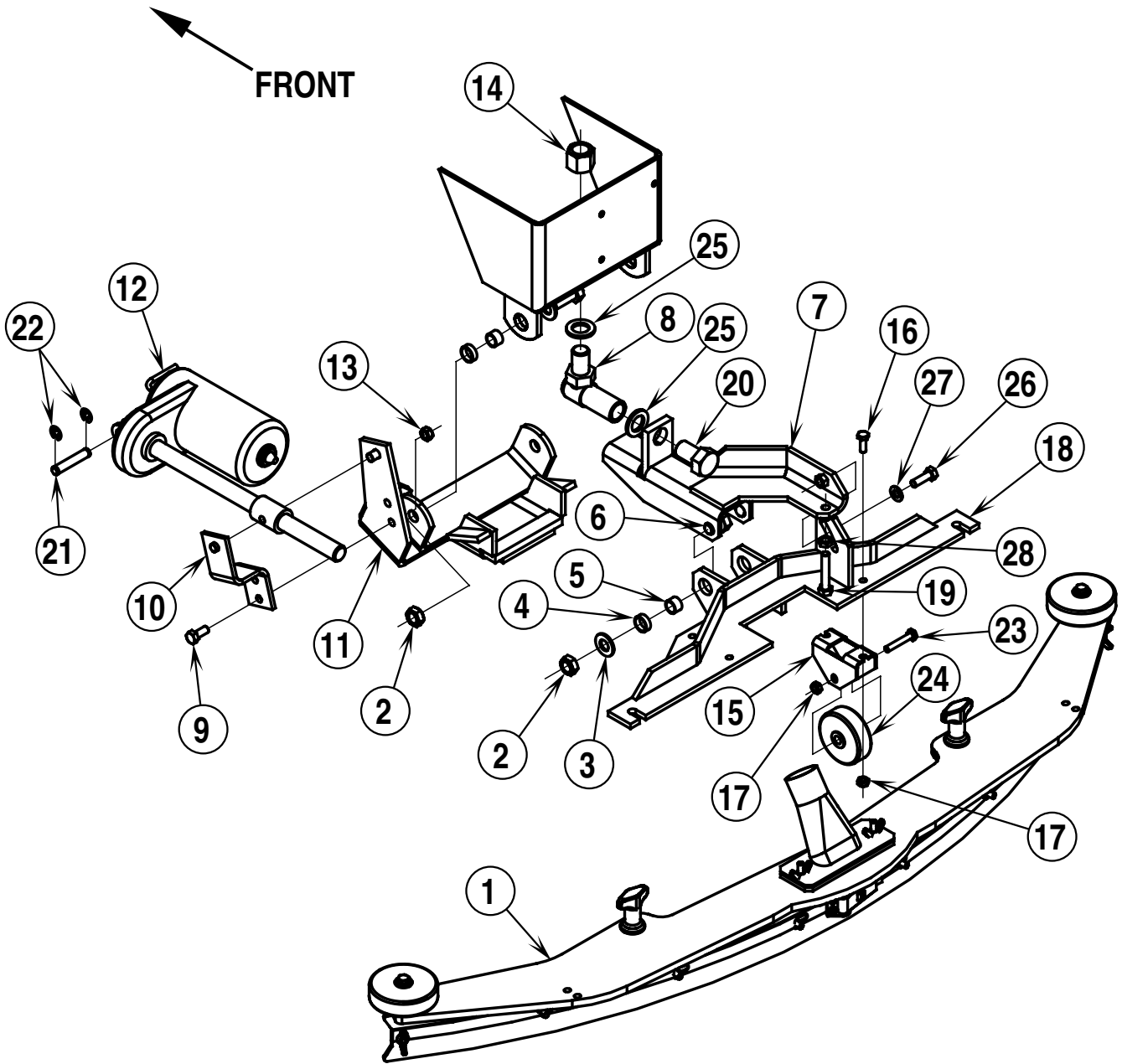
Phone: (918)254-5161

95-3	<b>SQUEEGEE MOUNT (before SN 1084457)</b>	<b>BOOK E</b>		
01-2	<b>Hydro-Retriever™ 3800 / BR 1000</b>	<b>E</b>	<b>8.3.1</b>	<b>27</b>

Item	Ref. No.	Qty	Description
1	56002843	4	1/2-13 Thin Nyl Loc Nut
2	56001879	4	1/2 Flat Washer
3	56360627	4	Bushing
4	56478781	4	Sleeve Bearing
5	56001931	4	1/2-13 x 1-1/4 Bolt
6	56391373	1	Mount ( <b>BR 1000</b> )
	56392105	1	Mount ( <b>3800</b> )
7	56391864	1	Ball Joint
8	56003012	2	5/16-18 x 3/4 SS Bolt
9	56100019	1	Half Yoke
10	56409162	1	Lift Mount
11	56391627	1	Actuator
*	56470431	1	Carbon Brush Kit ( <b>for 56391627</b> )
*	56388520	1	Plastic Drive Nut ( <b>for 56391627</b> )
12	56002851	2	5/16-18 SS Thin Nyl Loc Nut
13	56009083	1	3/4-16 Jam Nut
14	56392104	1	Adjuster Rod
15	56002015	1	Scr, Soc Set Loc 10-24 x .25
16	56324369	1	Pin
17	56391374	1	Squeegee Mount ( <b>BR 1000</b> )
	56392107	1	Squeegee Mount ( <b>3800</b> )
18	56475480	1	Knob
19	56002739	1	3/4-16 x 1-1/4 Bolt
20	56402995	1	Pin
21	56003262	2	Retainer Ring
22	56009085	1	3/8-16 Jam Nut
23	56002291	1	1/8 x 1 Spring Pin
24	56002891	1	3/8 SS Flat Washer
25	56331076	1	Collar
26	56367192	1	Washer
27	56001823	1	Scr, Soc Set Loc 10-24 x .38

\* = Not Shown

	<b>ORDER PARTS</b>
	Online: <a href="http://www.ivie-ent.com">www.ivie-ent.com</a> Phone: (918)254-5161



**IVIE**  
Enterprises, Inc.

ORDER PARTS

Online: [www.ivie-ent.com](http://www.ivie-ent.com)

Phone: (918)254-5161

95-3	<b>SQUEEGEE MOUNT (after SN 1084456)</b>	<b>BOOK E</b>		
00-10	<b>Hydro-Retriever™ 3800 / BR 1000</b>	<b>E</b>	<b>8.3.1</b>	<b>29</b>

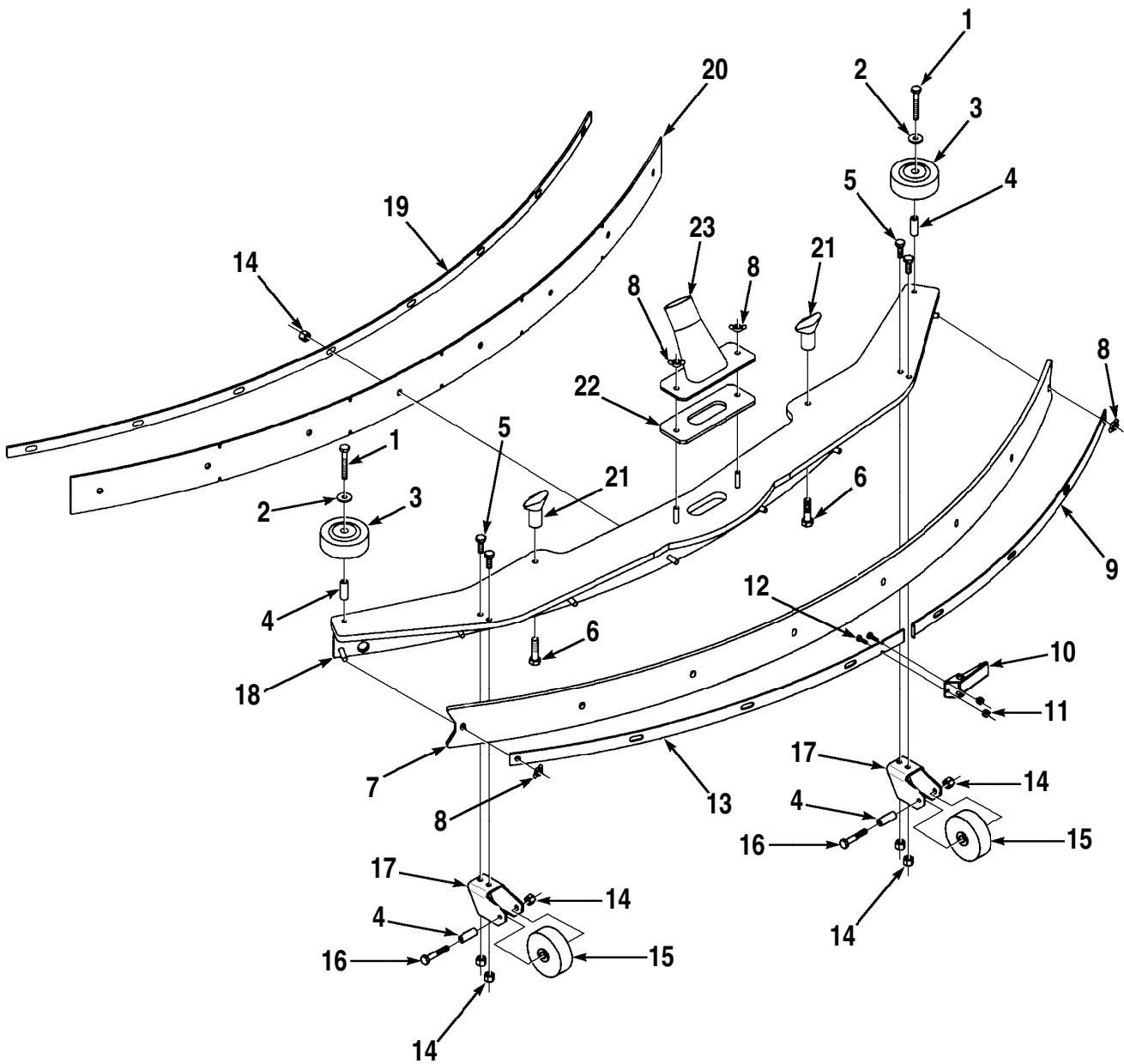
Item	Ref. No.	Qty	Description
1	56409423	1	Squeegee Assembly ( <b>see associated pages</b> )
2	56002843	4	Nut, Hex Nyl Loc-Thin 1/2-13
3	56001879	4	Wsh, Flt SAE 1/2
4	56360627	4	Bushing
5	56478781	4	Bearing, Sleeve
6	56001931	4	Scr, Hex Hd 1/2-13 x 1.25
7	56262677	1	Squeegee Tongue <b>TSB 667</b>
8	56391864	1	Ball Joint
9	56003012	2	Scr, Hex SS 5/16-18 x .75
10	56100019	1	Half Yoke Weld't
11	56409162	1	Lift Yoke Weld't
12	56391627	1	Actuator
*	56470431	1	Carbon Brush Kit ( <b>for 56391627</b> )
*	56388520	1	Plastic Drive Nut ( <b>for 56391627</b> )
13	56002851	2	Nut, Hex Nyl Loc-Thin SS 5/16-18
14	56009083	1	Nut, Hex Jam 3/4-16
15	56392217	2	Wheel, Bracket <b>TSB 655</b>
16	56002807	4	Scr, Hex SS 1/4-20 x .75
17	56002850	6	Nut, Hex Nyl Loc-Thin SS 1/4-20
18	56262679	1	Squeegee Mount <b>TSB 655, TSB 667</b>
19	56003005	1	Scr, Hex Hd 5/16-18 x 1.75
20	56002739	1	Scr, Hex Hd 3/4-16 x 1.25
21	56402995	1	Pin
22	56003262	2	Ring, Retaining
23	56002901	2	Scr, Hex SS 1/4-20 x 1.50
24	56324515	2	Wheel
25	56009022	2	Washer, Flt 3/4
26	56002221	1	Scr, Hex Hd 5/16-18 x 1.00
27	56001939	1	Wsh, Flt SAE 5/16
28	56002025	1	Nut, Hex Jam 5/16-18

\* = Not Shown



**IVIE** ORDER PARTS  
 Online: [www.ivie-ent.com](http://www.ivie-ent.com)  
 Phone: (918)254-5161

← FRONT



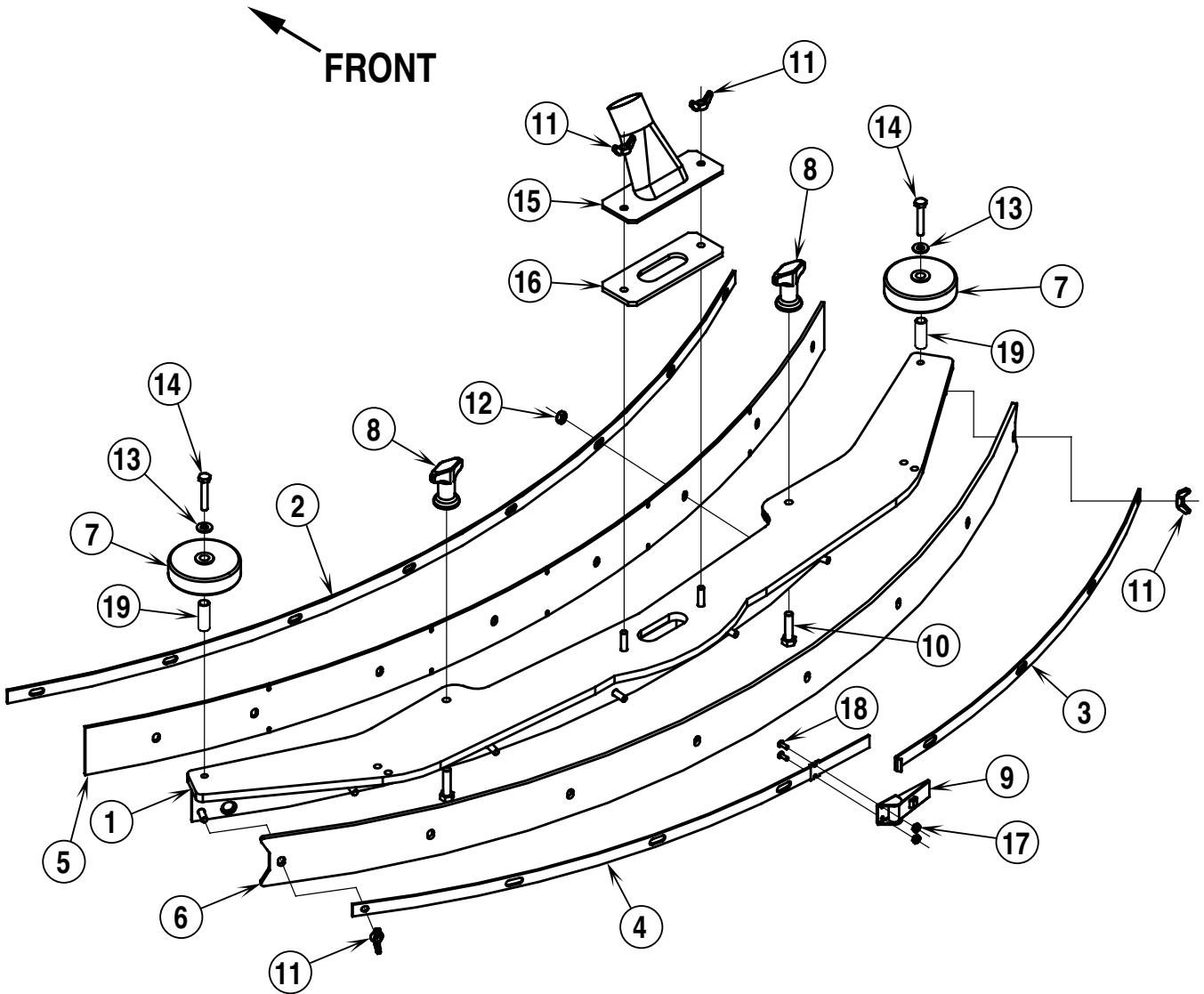
 **IVIE** Enterprises, Inc. **ORDER PARTS**  
Online: [www.ivie-ent.com](http://www.ivie-ent.com)  
Phone: (918)254-5161

95-3	<b>SQUEEGEE ASSEMBLY (before SN 1084457)</b>	<b>BOOK E</b>		
00-10	<b>Hydro-Retriever™ 3800 / BR 1000</b>	<b>E</b>	<b>8.3.1</b>	<b>31</b>

Item	Ref. No.	Qty	Description
	56409808	1	Squeegee Assy (#1-23)
1	56002993	2	1/4-20 x 1-1/2 Loc Screw
2	56002859	2	1/4 Flat Washer
3	56324499	2	Wheel
4	56471220	4	Bushing
5	56002807	4	1/4-20 x 3/4 SS Screw
6	56003302	1	5/16-18 x 1-1/4 SS Bolt
7	56409413	1	Rear Blade <b>(Standard)</b>
	56409431	1	Rear Blade <b>(Oil Resistant)</b>
8	56009111	4	1/4-20 SS Wing Nut
9	56409416	1	Right Rear Strap
10	56471194	1	Latch
11	56002964	2	#6-32 SS Thin Nyl Loc Nut
12	56002909	2	#6-32 x 3/8 SS Screw
13	56409415	1	Left Rear Strap
14	56002850	14	1/4-20 SS Thin Nyl Loc Nut
15	56324350	2	Wheel
16	56002901	2	1/4-20 x 1-1/2 SS Screw
17	56409656	2	Wheel Bracket
18	56409422	1	Squeegee Tool
19	56409417	1	Front Strap
20	56409627	1	Front Blade <b>(Standard)</b>
	56409414	1	Front Blade <b>(Oil Resistant)</b>
21	56370711	2	Thumb Nut
22	56409426	1	Gasket
23	56409425	1	Tube
	56409429	1	Gum Rubber Blade Kit (#7 & 20) <b>(Standard)</b>
	56409430	1	Neoprene Blade Kit (#7 & 20) <b>(Oil Resistant)</b>

	<b>ORDER PARTS</b> Online: <a href="http://www.ivie-ent.com">www.ivie-ent.com</a> Phone: (918)254-5161
---	--





ORDER PARTS

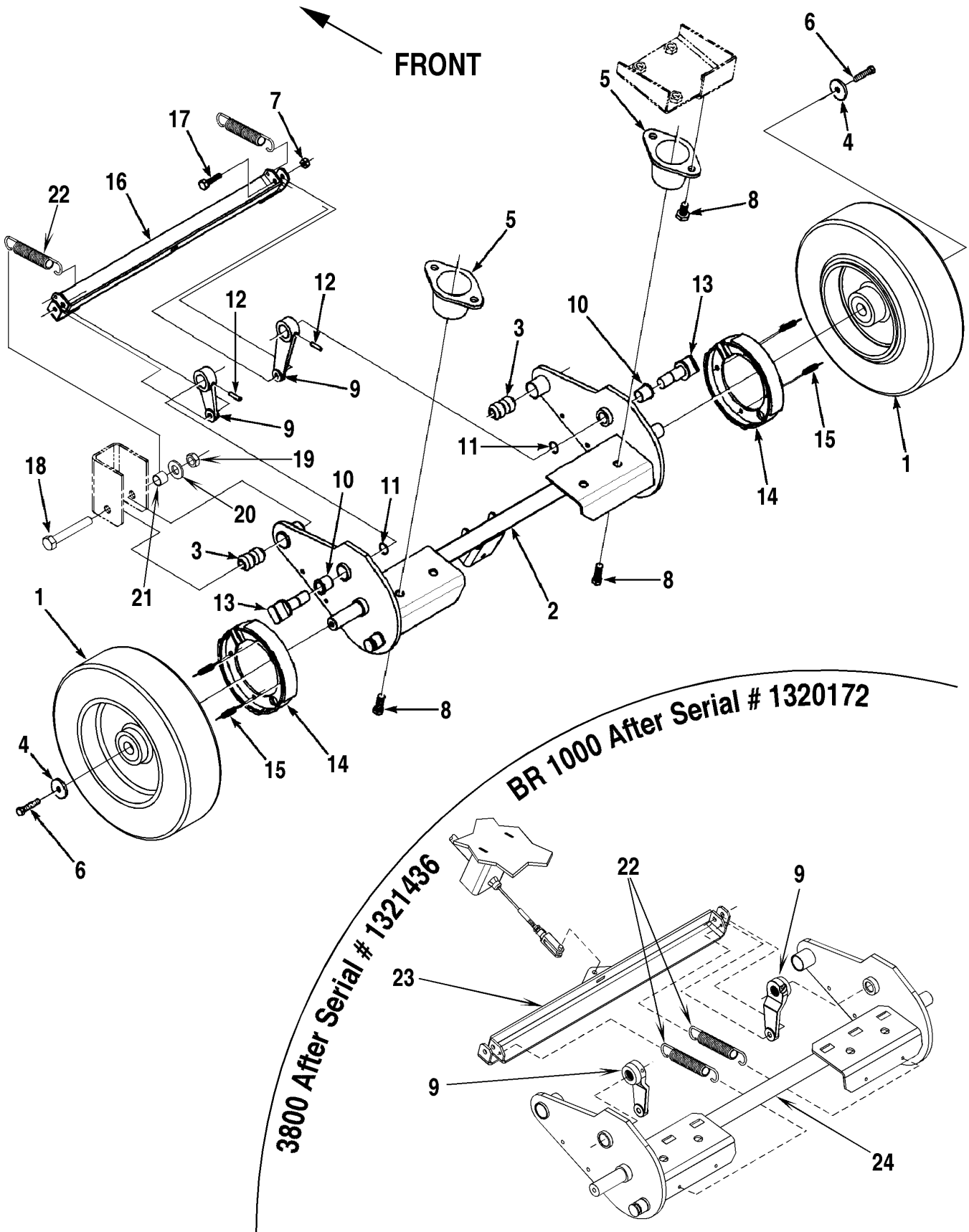
Online: [www.ivie-ent.com](http://www.ivie-ent.com)

Phone: (918)254-5161

95-3	<b>SQUEEGEE ASSEMBLY (after SN 1084456)</b>	<b>BOOK E</b>		
00-10	<b>Hydro-Retriever™ 3800 / BR 1000</b>	<b>E</b>	<b>8.3.1</b>	<b>33</b>

Item	Ref. No.	Qty	Description
	56409423	1	Squeegee Assy (#1-19)
1	56409422	2	Squeegee Tool Weld't
2	56409417	1	Strap, Front
3	56409416	1	Strap, Right Rear
4	56409415	1	Strap, Left Rear
5	56409627	1	Front Blade <b>(Standard)</b>
	56409414	1	Front Blade <b>(Oil Resistant)</b>
6	56409413	1	Rear Blade <b>(Standard)</b>
	56409431	1	Rear Blade <b>(Oil Resistant)</b>
7	56324499	2	Wheel
8	56370711	2	Nut, Thumb
9	56471194	1	Latch
10	56003302	2	Scr, Hex Thd to Hd SS 5/16-18 x 1.25
11	56009111	4	Nut, Wing SS 1/4-20
12	56002850	8	Nut, Hex Nyl Loc-Thin SS 1/4-20
13	56002859	2	Wsh, Flt SAE SS 1/4
14	56002901	2	Scr, Hex Hd SS 1/4-20 x 1.50
15	56409425	1	Tube Weld't
16	56409426	1	Gasket
17	56002964	2	Nut, Hex Nyl Loc-Thin SS 6-32
18	56002909	2	Scr, Pan Phil SS 6-32 x .38
19	56471220	4	Bushing
	56409429	1	Gum Rubber Blade Kit (#10 & 12) <b>(Standard)</b>
	56409430	1	Neoprene Blade Kit (#10 & 12) <b>(Oil Resistant)</b>

	<b>IVIE</b>	<b>ORDER PARTS</b>
	Enterprises, Inc.	Online: <a href="http://www.ivie-ent.com">www.ivie-ent.com</a>
		Phone: (918)254-5161



3800 After Serial # 1321436

BR 1000 After Serial # 1320172



ORDER PARTS

Online: [www.ivie-ent.com](http://www.ivie-ent.com)  
 Phone: (918)254-5161

95-3	<b>REAR WHEEL SYSTEM</b>	<b>BOOK E</b>		
01-4	<b>Hydro-Retriever™ 3800 / BR 1000</b>	<b>E</b>	<b>8.3.1</b>	<b>35</b>

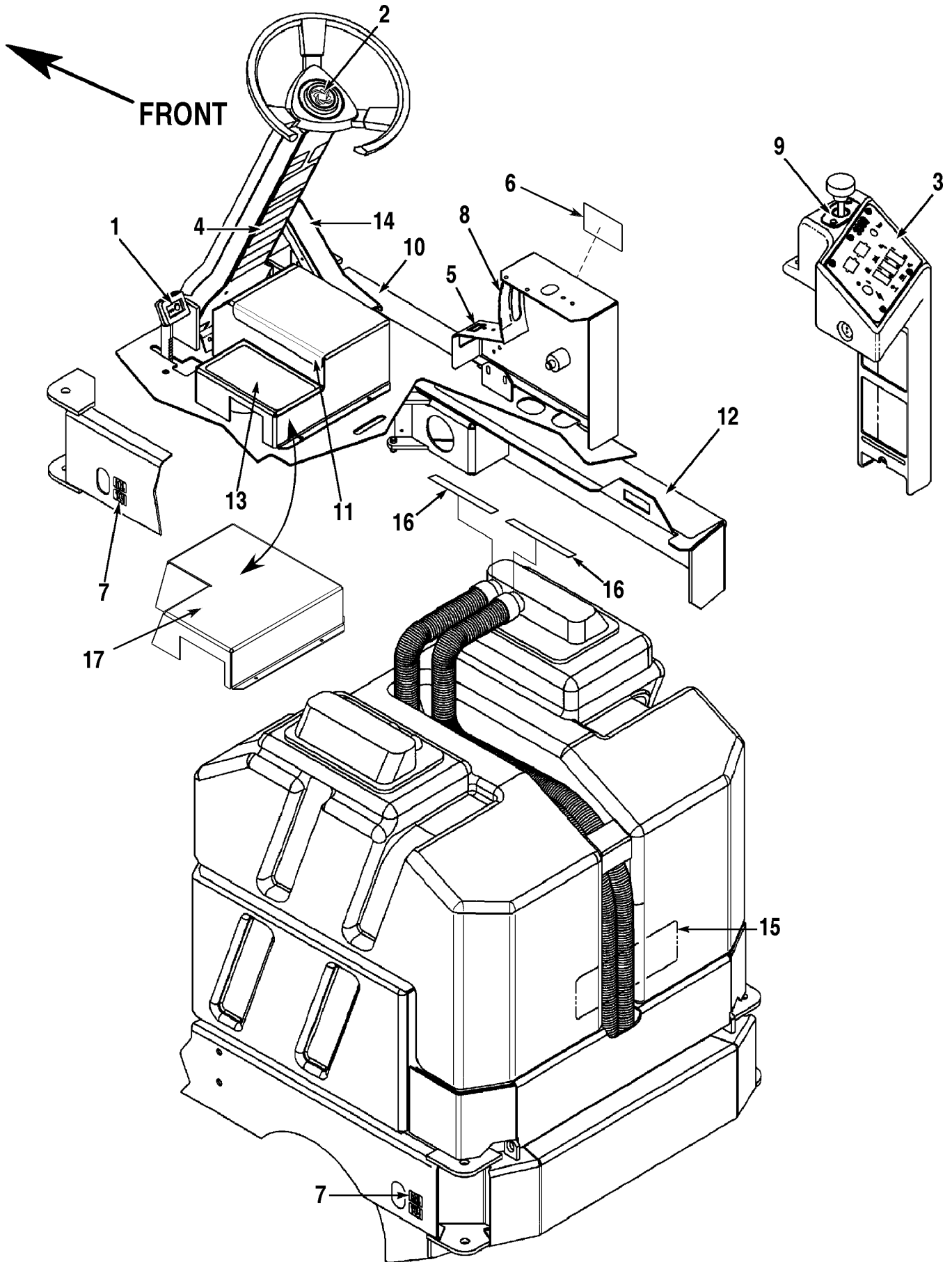
Item	Ref. No.	Qty	Description
1	56409689	2	Rear Wheel ( <b>soft compound</b> ) <b>Note #1</b>
**	56409877	2	Wheel, White, Non-Marking Rear
2	56409475	1	Axle ( <b>BR 1000 before SN 1320173 / 3800 before SN 1321437</b> )
3	56114545	4	Rubber Bushing
4	56367117	2	Washer
5	56409160	2	Isolator <b>TSB774</b>
6	56002947	2	3/8-16 x 1 Loc Bolt
7	56002701	2	5/16-18 Nyl Loc Nut
8	56003022	6	1/2-13 x 1-1/4 Loc Bolt
9	56493224	2	Brake Arm ( <b>32 tooth spline / machines built before 7/96</b> )
	56409686	2	Brake Arm ( <b>24 tooth spline / machines built after 7/96</b> )
10	56409472	2	Flange Bearing
11	56003108	2	Retainer Ring
12	56003305	2	5 x 26mm Spring Pin
13	56409474	2	Cam ( <b>32 tooth spline / machines built before 7/96</b> )
	56409683	2	Cam ( <b>24 tooth spline / machines built after 7/96</b> )
14	56409490	4	Brake Shoe
15	56409491	4	Tension Spring
16	56409546	1	Actuator Bar ( <b>BR 1000 before SN 1320173 / 3800 before SN 1321437</b> ) <b>TSB 714</b>
17	56002094	2	5/16-18 x 1-1/2 Bolt
18	56002116	2	1/2-13 x 3-1/4 Bolt
19	56002770	2	1/2-13 Nyl Loc Nut
20	56001879	2	Wsh, Flt SAE 1/2
21	56367206	2	Bushing
22	56467404	2	Spring <b>TSB 680</b>
23	56409867	1	Brake Equalizer Weldment ( <b>BR 1000 after SN 1320172 / 3800 after SN 1321436</b> )
24	56409868	1	Axle Weldment ( <b>BR 1000 after SN 1320172 / 3800 after SN 1321436</b> )

\*\* = Optional

**Note #1:** Wheel PN 56409689 (soft compound) replaces, PN 56409155 OBS (hard compound). When the PN 56409689 is retro-fitted it may be necessary to remove material from the back edge on the RT side splash guard door, for proper clearance. When replacing 56409155 with 56409689, both wheels must be replaced as a set. Brake adjustment will be necessary.



**IVIE** ORDER PARTS  
 Enterprises, Inc. Online: [www.ivie-ent.com](http://www.ivie-ent.com)  
 Phone: (918)254-5161

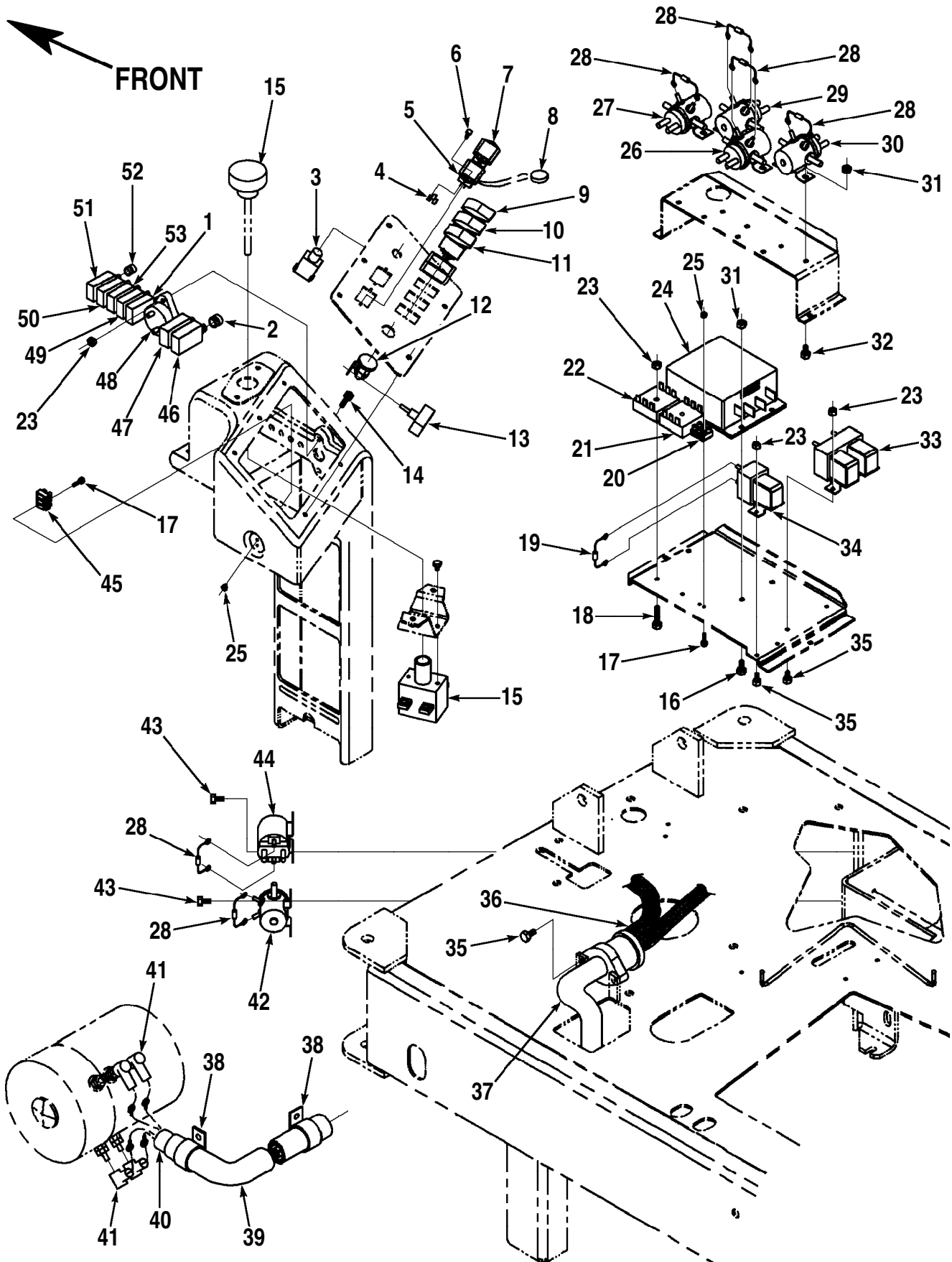


95-3	<b>DECAL SYSTEM</b>	<b>BOOK E</b>		
00-10	<b>Hydro-Retriever™ 3800 / BR 1000</b>	<b>E</b>	<b>8.3.1</b>	<b>37</b>

Item	Ref. No.	Qty	Description
1	56025122	1	Decal, Brake
2	56016421	1	Decal, Logo
3	56015722	1	Decal, Control Panel ( <b>BR 1000</b> )
	56015582	1	Decal, Control Panel ( <b>3800</b> )
4	56014601	1	Decal, Caution
5	56016324	1	Decal, 36V
6	56016027	1	Decal, Wear Items ( <b>3800 only</b> )
7	56015770	8	Decal, Hold Down
8	56015499	1	Decal, Brush Pressure
9	56015594	1	Decal, Disconnect
10	56409341	1	Grip Surface
11	56409342	1	Grip Surface ( <b>before SN 1087778</b> )
12	56409343	1	Grip Surface
13	56409381	1	Grip Surface ( <b>before SN 1087778</b> )
14	56449958	1	Mat, Pedal
15	56015596	1	Decal, Battery Wiring Diagram
16	56015655	2	Decal, Direction
17	56409675	1	Pad Grip ( <b>replaces #11 &amp; 13 after SN 1087777</b> )



**IVIE** ORDER PARTS  
 Enterprises, Inc. Online: [www.ivie-ent.com](http://www.ivie-ent.com)  
 Phone: (918)254-5161



95-3	<b>ELECTRICAL SYSTEM-1 (before SN1087778)</b>	<b>BOOK E</b>		
00-10	<b>Hydro-Retriever™ 3800 / BR 1000</b>	<b>E</b>	<b>8.3.1</b>	<b>39</b>

Item	Ref. No.	Qty	Description	Item	Ref. No.	Qty	Description
1	56387316	1	Circuit Breaker, 10 AMP (Aux. Circuit 1)	26	56388534	1	Solenoid (Brush Up)
2	56459368	2	Reset Button Boot	27	56388534	1	Solenoid (Squeegee Down)
3	56468175	1	Horn Switch	28	56389265	6	Diode
4	56393739	1	Tab Adaptor	29	56388534	1	Solenoid (Squeegee Up)
5	56393717	1	Battery Fuel Gauge	30	56388534	1	Solenoid (Brush Down)
6	56001830	4	#6-32 x 1/2 Screw	31	56002840	8	1/4-20 Thin Nyl Loc Nut
*	56002864	4	#6-32 Thin Nyl Loc Nut	32	56001854	8	1/4-20 x 1/2 Screw
7	56393718	1	Hourmeter	33	56409233	1	Solenoid (Forward / Reverse)
8	56209036	1	Battery Module	34	56454806	1	Solenoid (Main)
9	56393312	1	Solution Switch	35	56002503	6	#10-24 x 1/2 Screw
10	56393312	1	Brush Switch	36	56409367	1	Control Panel Wiring Harness
11	56393312	1	Vac Switch	37	56409366	1	Main Wiring Harness
12	56393325	1	Keylock Bracket	38	56409463	4	Clamp
*	56393415	1	Replacement Key	39	56409448	1	Nylon Sleeve
13	56301636	1	Main Switch	40	56409447	1	Cable Assembly 6/4 X 65
14	56003028	2	#10-24 x 1 Screw	41	56492305	4	Rubber Boot
15	56409384	1	Emergency Disconnect Switch	42	56395452	1	Solenoid (Vac Motor)
16	56001854	3	1/4-20 x 1/2 Screw	43	56009033	4	1/4-20 x 1/2 HP-5 Screw
17	56002005	4	#6-32 x 5/8 Screw	44	56395450	1	Solenoid (Brush Motor)
18	56002824	2	#10-24 x 1-1/4 Screw	45	56409240	1	Diode Assembly
19	56454807	1	Resistor	56409228	1	Diode (part of 56409240)	
20	56409234	1	Diode Assembly	56183523	1	Terminal Block (part of 56409240)	
	56409228	2	Diode (part of 56409234)	46	56452193	1	Circuit Breaker, 40 AMP (Vac Motor)
	56183523	1	Terminal Block (part of 56409234)	47	56263260	1	Circuit Breaker, 60 AMP (Wheel Drive)
21	56389315	1	Brush Motor Time Delay (3 second)	48	56409230	1	Circuit Breaker, 80 AMP (Brush Motor)
22	56409314	1	Vac Motor Time Delay (10 second)	49	56387328	1	Circuit Breaker, 5 AMP (Aux. Circuit 2)
23	56002768	11	#10-24 Nyl Loc Nut	50	56387328	1	Circuit Breaker, 5 AMP (Squeegee Lift)
24	56409194	1	Speed Controller (BR 1000 before SN 1347810) (3800 before SN 1346764)	51	56454538	1	Circuit Breaker, 15 AMP (Presweep / Opt.)
*	56409441	A/R	Programmer Note #1	52	56459367	5	Reset Button Boot
*	56409870	1	Speed Controller Note #2 (BR 1000 after SN 1347809) (3800 after SN 1346763)	53	56387328	1	Circuit Breaker, 5 AMP (Brush Lift)
25	56002830	4	#6-32 Nyl Loc Nut				

\* = Not Shown

**Note #1:** This item is optional, it is used for troubleshooting the electrical system and setting parameters in the Speed Controller(item #24).

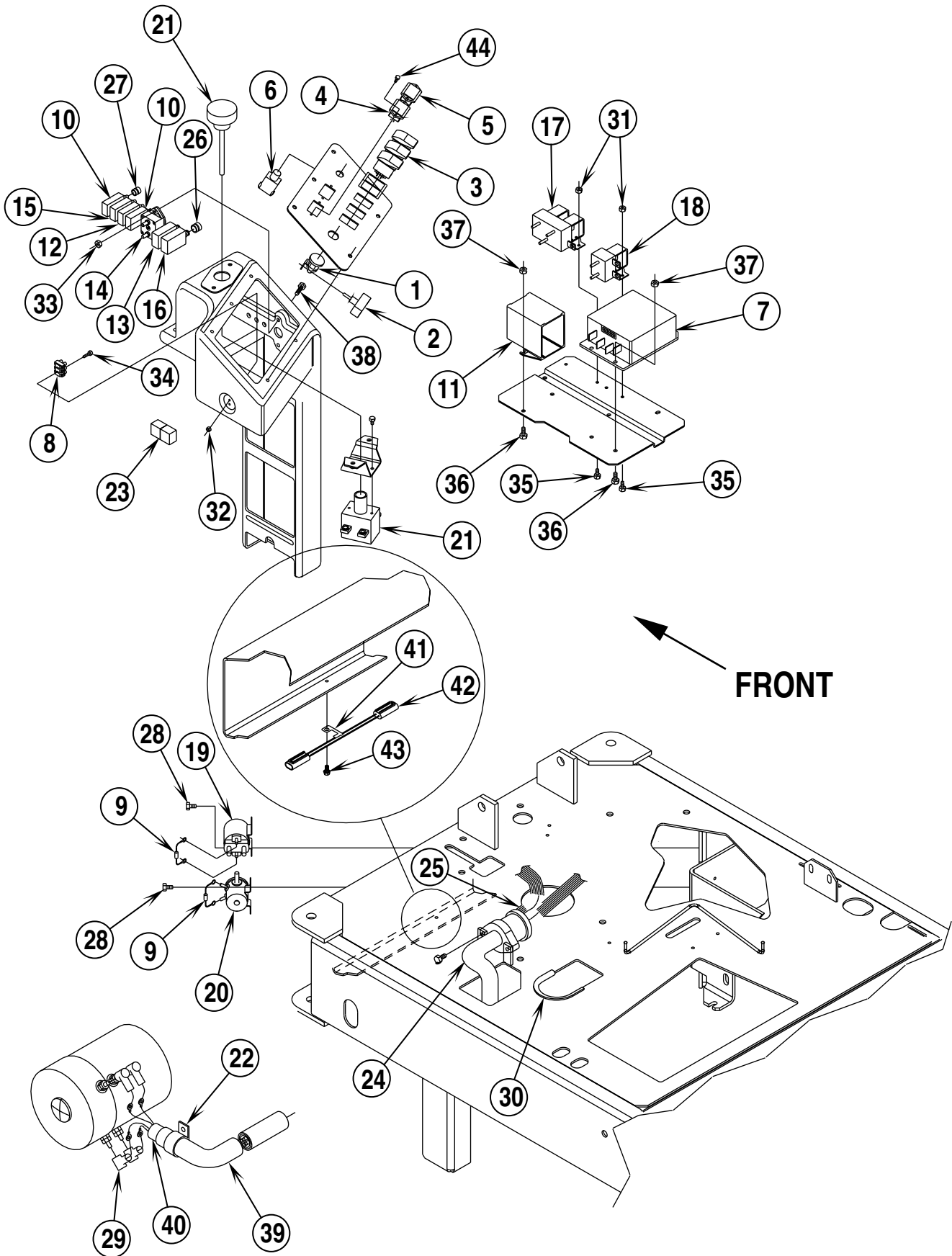
**Note #2:** This speed controller can only be used in conjunction with the updated brake system.



**IVIE** Enterprises, Inc.

**ORDER PARTS**  
 Online: [www.ivie-ent.com](http://www.ivie-ent.com)  
 Phone: (918)254-5161





95-3	<b>ELECTRICAL SYSTEM-1 (after SN1087777)</b>	<b>BOOK E</b>		
00-10	<b>Hydro-Retriever™ 3800 / BR 1000</b>	<b>E</b>	<b>8.3.1</b>	<b>41</b>

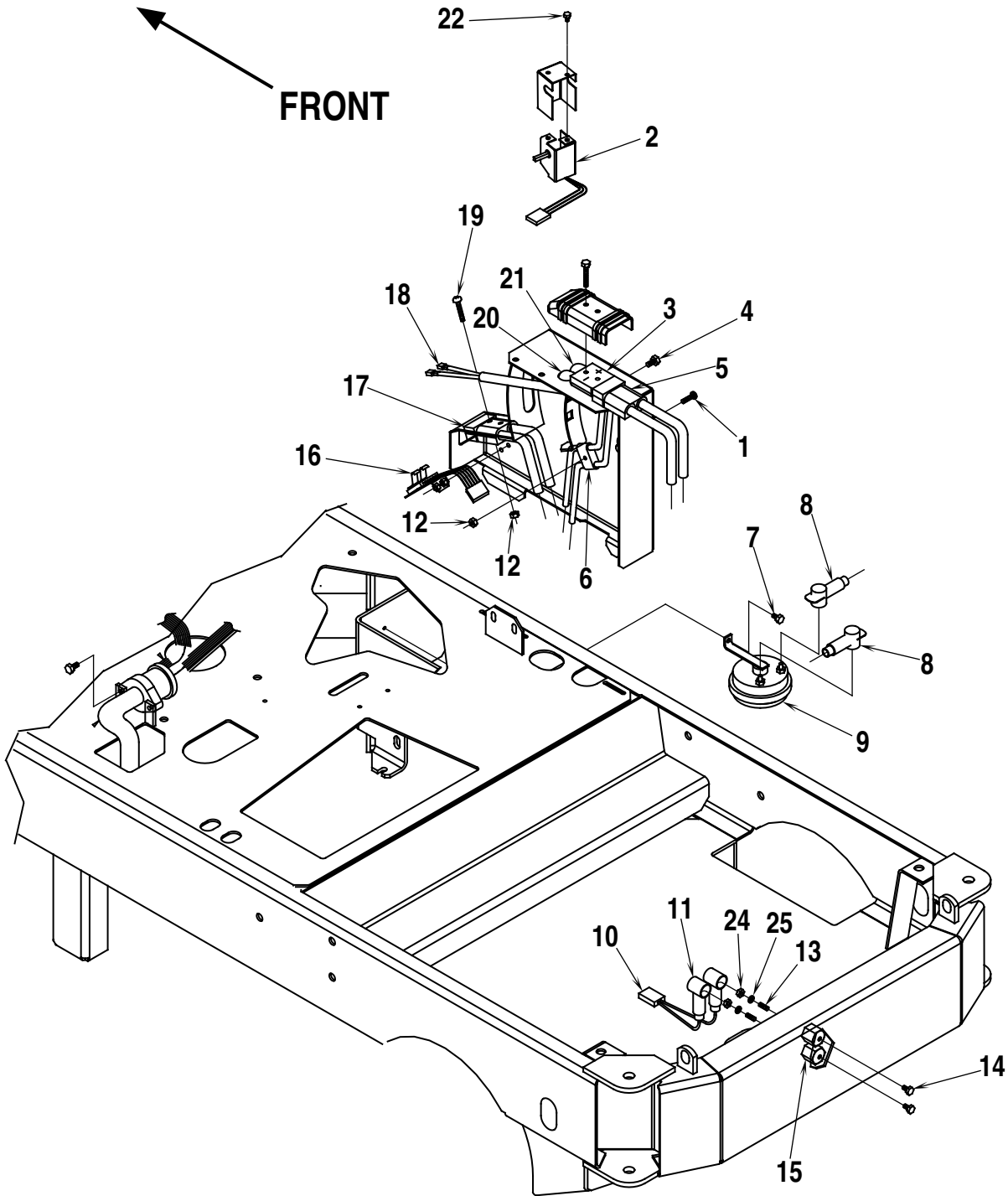
Item	Ref. No.	Qty	Description
1	56393325	1	Bracket, Keylock
*	56393415	1	Replacement Key
2	56301636	1	Switch, Toggle
3	56393312	3	Switch, Rocker
4	56416395	1	Battery Fuel Guage
5	56393718	1	Hourmeter
6	56409692	1	Switch, Push Button ( <b>horn</b> )
7	56409194	1	Speed Controller <b>(BR 1000 before SN 1347810 / 3800 before SN 1346764)</b>
*	56409441	A/R	Programmer <b>Note #1</b>
*	56409870	1	Speed Controller <b>Note #2</b> <b>(BR 1000 after SN 1347809 / 3800 after SN 1346763)</b>
8	56409240	1	Diode Assembly
9	56389265	2	Rectifier
10	56454538	2	Circuit Breaker, 15Amp ( <b>opt. pre-sweep</b> ) <b>(BR 1000 qty of 2 after SN1157417 / 3800 qty of 2 after SN 1148431)</b>
11	56392175	1	Actuator Control Module
12	56168786	1	Circuit Breaker, 13Amp ( <b>aux. circuit 1</b> )
13	56263260	1	Circuit Breaker, 60Amp ( <b>wheel drive</b> )
14	56409230	1	Circuit Breaker, 80Amp ( <b>brush motor</b> )
15	56387328	1	Circuit Breaker, 5Amp ( <b>aux. circuit 2</b> )
16	56452193	1	Circuit Breaker, 40Amp ( <b>vac motor</b> )
17	56409233	1	Contactor ( <b>forward/reverse</b> )
18	56454806	1	Contactor ( <b>main</b> ) <b>TSB 728</b>
19	56395450	1	Contactor 36V ( <b>brush motor</b> )
20	56395452	1	Contactor 36V ( <b>vac motor</b> )
21	56409384	1	Switch, Disconnect
22	56409463	4	Clamp
23	56409818	1	Low Voltage Cut-Out Relay Assy
24	56409366	1	Harness, Main Wiring
25	56409664	1	Harness, Control Panel Wiring
26	56459368	2	Boot, Reset Button
27	56459367	3	Boot, Reset Button
28	56009033	6	Scr, Hex Hd Thd Form 1/4-20 x .50
29	56492305	4	Rubber Boot
30	56409582	1	Gasket
31	56002768	6	Nut, Hex Nyl Loc 10-24
32	56002830	3	Nut, Hex Nyl Loc 6-32
33	56002708	6	Nut, Hex Nyl Loc1/4-20
34	56002005	3	Scr, Pan Phil 6-32 x .62
35	56002503	4	Scr, Hex Hd 10-24 x .50
36	56001854	7	Scr, Hex Hd 1/4-20 x .50
37	56002840	5	Nut, Hex Nyl Loc-Thin 1/4-20
38	56002292	4	Scr, Pan Phil 1/4-20 x 1.00
39	56409448	1	Sleeve, Nylon
40	56409671	1	Cable Assembly
41	56409769	1	Clip, Weatherpack ( <b>BR 1000 after SN1157417 / 3800 after SN 1148431</b> )
42	56409775	1	Cord Assembly ( <b>opt. presweep dust control plug-in</b> ) <b>(BR 1000 after SN1157417 / 3800 after SN 1148431)</b>
43	56009003	1	Scr, Hex thd Form ( <b>BR 1000 after SN1157417 / 3800 after SN 1148431</b> )
44	56009192	4	Nylon Push Rivot
45	56409818	1	Low Voltage Relay Assy ( <b>opt.</b> )

**Note #1:** This item is optional, it is used for troubleshooting the electrical system and setting parameters in the Speed Controller(item #7).

**Note #2:** This speed controller can only be used in conjunction with the updated brake system.



**IVIE** ORDER PARTS  
 Online: [www.ivie-ent.com](http://www.ivie-ent.com)  
 Phone: (918)254-5161



**IVIE**  
Enterprises, Inc.

ORDER PARTS

Online: [www.ivie-ent.com](http://www.ivie-ent.com)

Phone: (918)254-5161

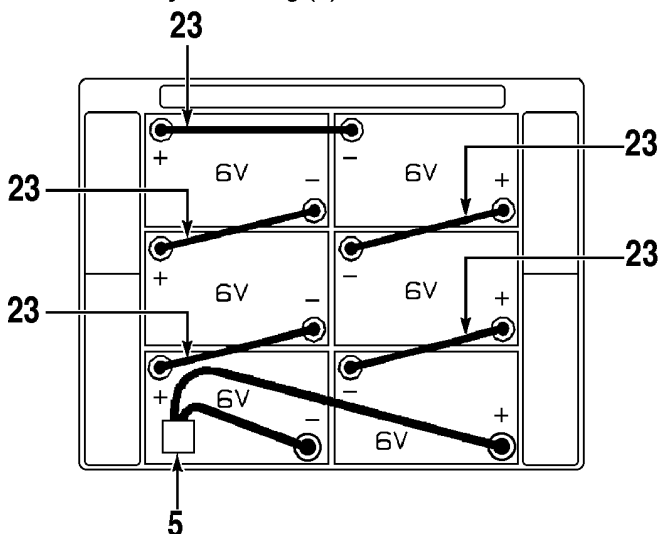
Item	Ref. No.	Qty	Description
1	56002292	2	Scr, Pan Phil 1/4-20 x 1.00
2	56409376	1	Electronic Throttle
3	56100622	1	Connector Housing 36V
4	56002066	2	Scr, Pan Phil 1/4-20 x .62
5	56409444	1	Battery Connector <b>Note #1</b>
6	56492753	2	Clamp
7	56009033	1	Scr, Hex Thd Form 1/4-20 x .50
8	56409538	2	Terminal Insulator
9	56482365	1	Horn
10	56409480	1	Pigtail Wire Assembly
11	56493357	2	Insulator Boot
12	56002708	4	Nut, Hex Nyl Loc 1/4-20
13	56009020	2	1/4-20 x 7/8 Stud
14	56001854	2	1/4-20 x 1/2 Screw
15	56469858	2	Insulated Stand Off
16	56409387	1	Charger Interlock Switch
17	56409443	1	Battery Charger Plug
18	56409433	1	Cord Assembly 14/2 X 18.00
19	56002786	2	Scr, Pan Phil 1/4-20 x 1.50
20	56409527	1	Cable Assembly 1 x 92.00
21	56409528	1	Cable Assembly 1 x 92.00
22	56003479	2	Scr, Pan Phil M5 x .8 x 6mm
23	56409485	5	Battery Cable <b>Note #2</b>
*	56398090	12	Terminal Clamp, Battery
24	56009087	2	Nut, Hex Jam 1/4-20
25	56009064	2	Wsh, Int Shprf 1/4

\* = Not Shown

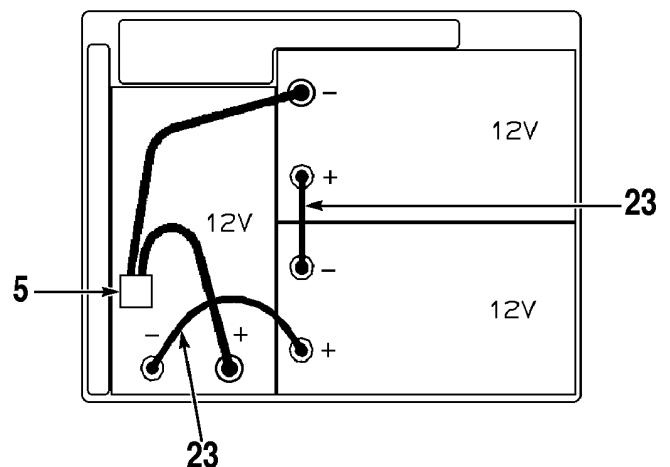
**Note #1:** This battery connector is used with both the 6Volt battery layout and the 12Volt battery layout.

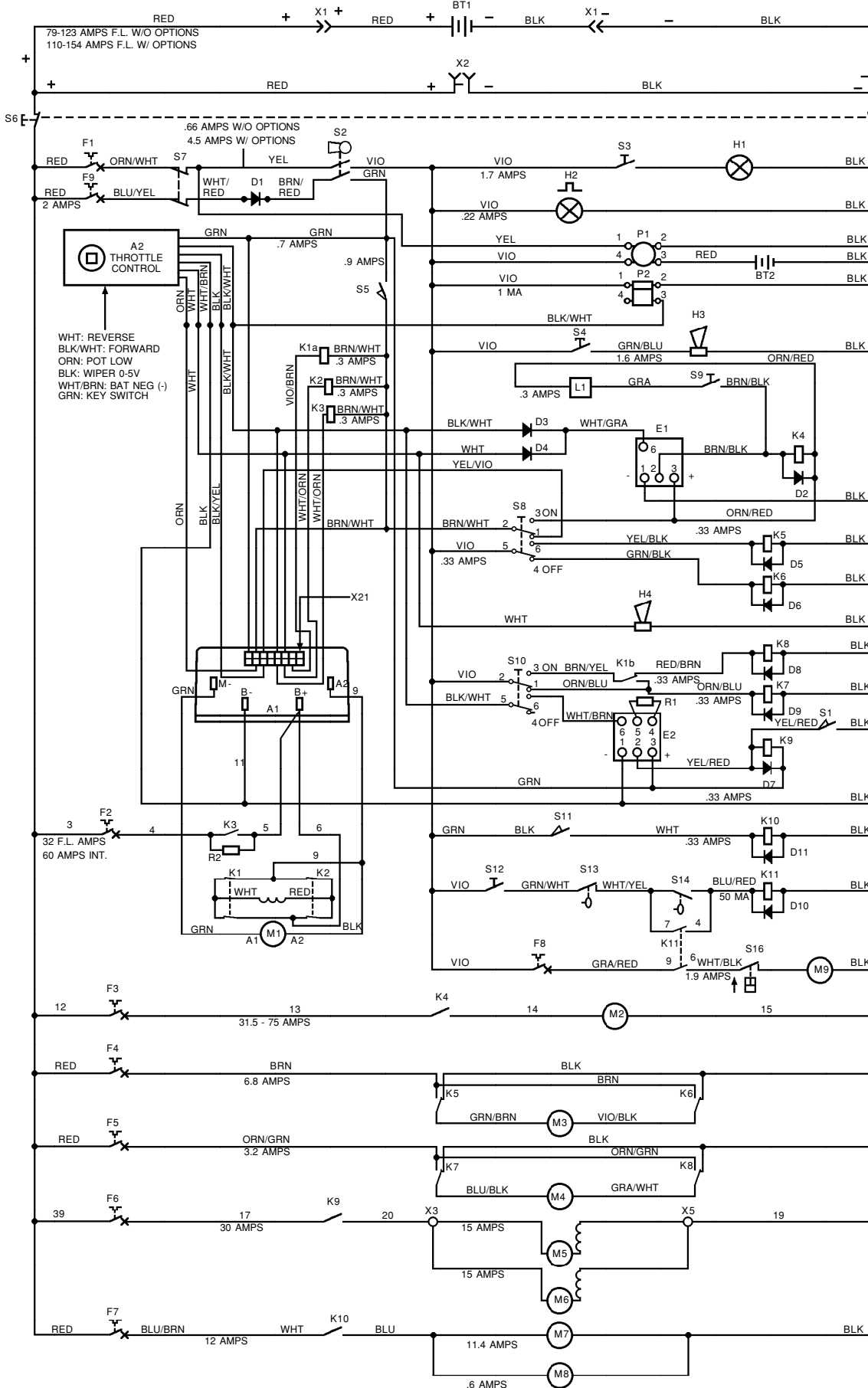
**Note #2:** There are (5) of these cables supplied with the machine, (5) are required when using 6Volt batteries and (2) are required when using (12)Volt batteries.

Layout Using (6) 6 Volt Batteries



Layout Using (3) 12 Volt Batteries





95-3	<b>WIRING DIAGRAM (before SN1087778)</b>	<b>BOOK E</b>		
00-11	<b>Hydro-Retriever™ 3800 / BR 1000</b>	<b>E</b>	<b>8.3.1</b>	<b>45</b>

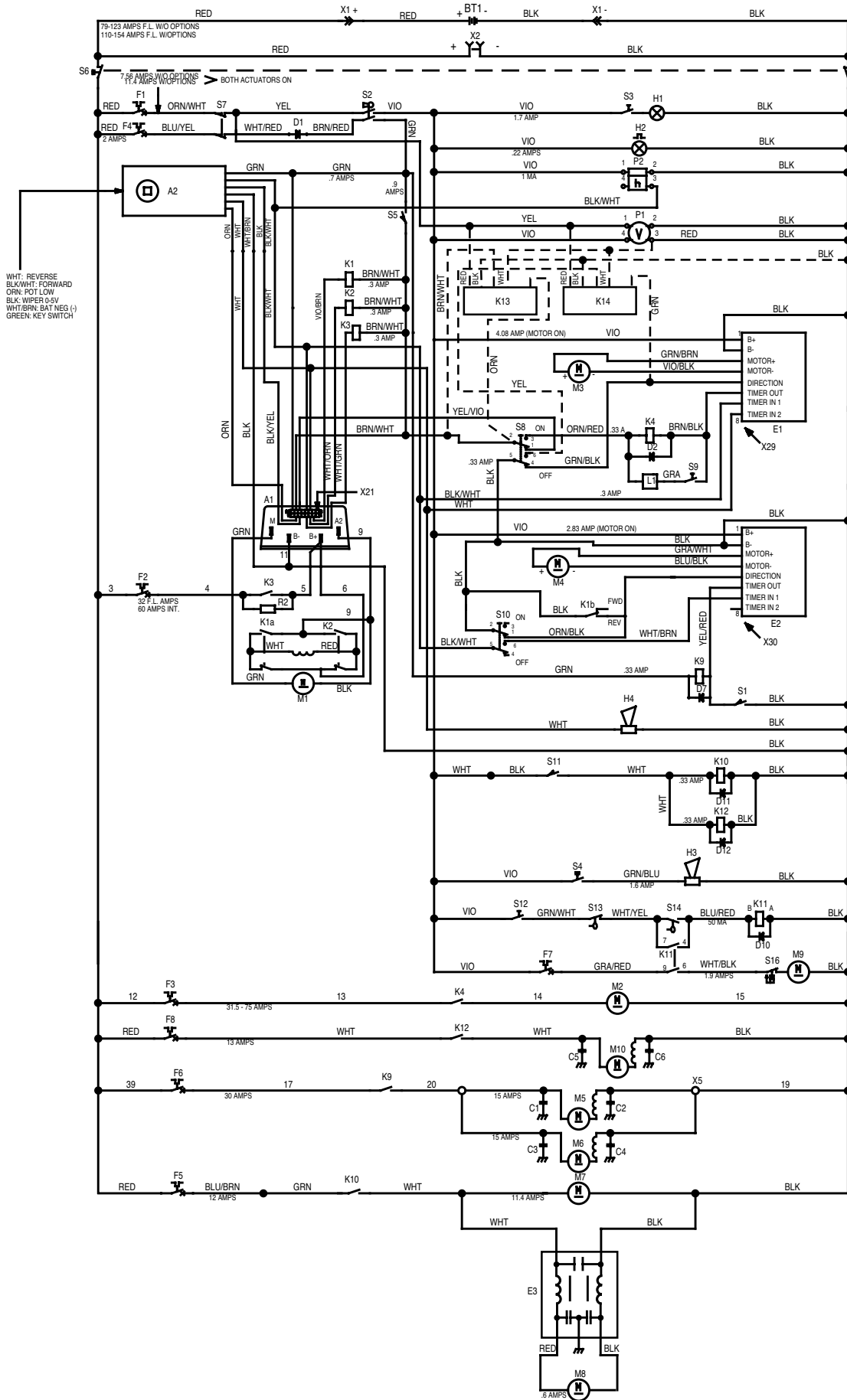
Item	Ref. No.	Qty	Description	Item	Ref. No.	Qty	Description
A1	56409194	1	Speed Controller (BR 1000 before SN 1347810)	M1	56409033	1	Motor (Wheel Drive)
			(3800 before SN 1346764)	M2	56409126	1	Motor (Brush)
	56409870	1	Speed Controller Note #1 (BR 1000 after SN 1347809)	M3	56391627	1	Lift Actuator (Brush)
			(3800 after SN 1346763)	M4	56391627	1	Lift Actuator (Squeegee)
A2	56409376	1	Throttle Control	M5	56391208	1	Motor (Vac)
BT1			36 Vdc Battery	M6	56391208	1	Motor (Vac / Optional)
BT2	56209036	1	Battery Module, Memory	M7	56261210	1	Motor (Main Broom / Optional)
D1			Diode (Polarity)	M8	56469530	1	Motor (Side Broom / Optional)
D2	56389265	1	Diode (Brush Solenoid)	M9	56409611	1	Motor (Pump / Optional)
D3			Diode	P1	56393717	1	Battery Fuel Gauge
D4			Diode	P2	56393718	1	Hourmeter
D5	56389265	1	Diode (Brush Down Solenoid)	R1			Resistor, 1 Megohm
D6	56389265	1	Diode (Brush Up Solenoid)	R2			Resistor, 250 Ohm 8 Watts
D7	56389265	1	Diode (Vac Motor Solenoid)	S1	56393312	1	Switch (Wand Accessory / Opt.)
D8	56389265	1	Diode (Squeegee Down Solenoid)	S2	56301636	1	Switch (Main)
D9	56389265	1	Diode (Squeegee Up Solenoid)	S3			Switch (Light / Optional)
D10			Diode (Pump Relay / Optional)	S4	56409692	1	Switch (Horn)
D11			Diode (Broom Solenoid / Optional)	S5	56409613	1	Switch (Seat)
E1	56389315	1	Time Delay, 3 Sec. (Brush Motor)	S6	56409384	1	Switch (Emer. Dis.)
E2	56409314	1	Time Delay, 10 Sec. (Vac Motor)	S7	56409387	1	Switch (Charger Interlock)
F1	56387316	1	Circuit Breaker, 10 Amp (Aux. Circuit 1)	S8	56393312	1	Switch (Brush/High Speed Limit)
F2	56263260	1	Circuit Breaker, 60 Amp (Wheel Drive)	S9	56393312	1	Switch (Solution)
F3	56409230	1	Circuit Breaker, 80 Amp (Brush Motor)	S10	56393312	1	Switch (Vac)
F4	56387328	1	Circuit Breaker, 5 Amp (Brush Lift)	S11	56409470	1	Switch (Broom / Optional)
F5	56387328	1	Circuit Breaker, 5 Amp (Squeegee Lift)	S12	56393312	1	Switch (Recycle / Optional)
F6	56452193	1	Circuit Breaker, 40 Amp (Vac Motor)	S13	56388167	1	Switch (Pump Stop / Optional)
F7	56454538	1	Circuit Breaker, 15 Amp (Optional Pre-Sweep)	S14	56388167	1	Switch (Pump Start / Optional)
F8	56228414	1	Circuit Breaker, 3.5 Amp (Optional Extended Scrub)	S16	56503014	1	Switch (Pressure / Optional)
F9	56387328	1	Circuit Breaker, 5 Amp (Aux. Circuit 2)	X1	56409444	1	Battery Disconnect
H1	56409503	1	Head Lamp (Optional)	X2	56409443	1	Charger Connector
H2	56482463	1	Strobe (Optional) TSB 743	X3			Terminal Stud
H3	56482365	1	Horn	X5			Terminal Stud
H4	56409232	1	Back-Up Alarm (Optional)	X21			Speed Control Connector
K1	56409233	1	Solenoid (Reverse)				
K2	56409233	1	Solenoid (Forward)				
K3	56454806	1	Solenoid (Main)				
K4	56395450	1	Solenoid (Brush)				
K5	56388534	1	Solenoid (Brush Down)				
K6	56388534	1	Solenoid (Brush Up)				
K7	56388534	1	Solenoid (Squeegee Up)				
K8	56388534	1	Solenoid (Squeegee Down)				
K9	56395452	1	Solenoid (Vac Motor)				
K10	56395452	1	Solenoid (Broom / Optional)				
K11	56261219	1	Relay (Pump / Optional)				
L1	56409154	1	Solenoid Valve				

**Note #1:** This speed controller can only be used in conjunction with the updated brake system.



**IVIE** Enterprises, Inc.

**ORDER PARTS**  
 Online: [www.ivie-ent.com](http://www.ivie-ent.com)  
 Phone: (918)254-5161

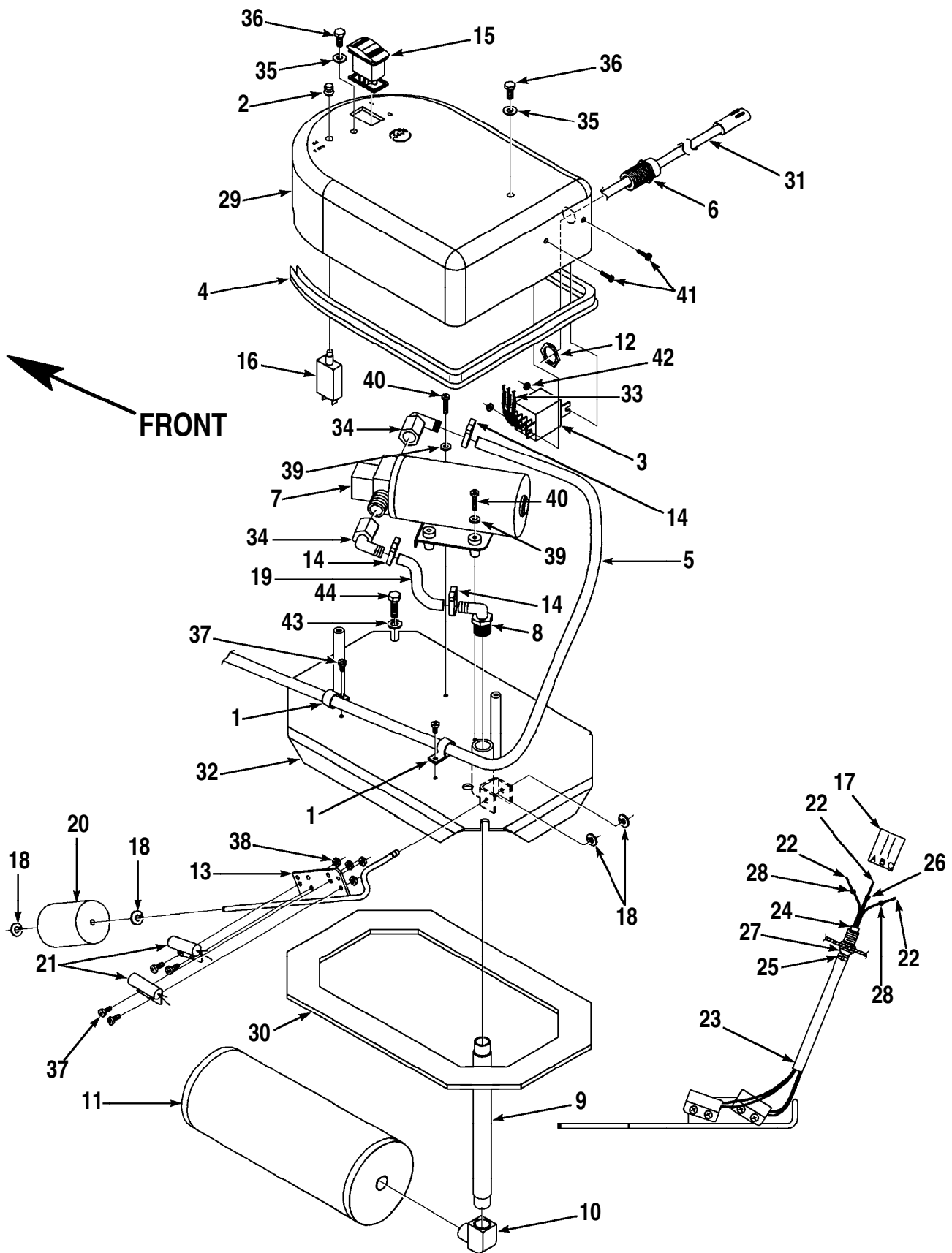


95-3	<b>WIRING DIAGRAM (after SN1087777)</b>	<b>BOOK E</b>		
00-11	<b>Hydro-Retriever™ 3800 / BR 1000</b>	<b>E</b>	<b>8.3.1</b>	<b>47</b>

Item	Ref. No.	Qty	Description	Item	Ref. No.	Qty	Description
A1	56409194	1	Speed Controller <b>(BR 1000 before SN 1347810)</b>	M1	56409033	1	Motor, Wheel Drive
			<b>(3800 before SN 1346764)</b>	M2	56409126	1	Motor, Brush
	56409870	1	Speed Controller <b>Note #1</b> <b>(BR 1000 after SN 1347809)</b>	M3	56391627	1	Lift Actuator, Brush
			<b>(3800 after SN 1346763)</b>	M4	56391627	1	Lift Actuator, Squeegee
A2	56409376	1	Throttle Control	M5	56409705	1	Motor, Vac
BT1			36VDC Battery	M6	56409705	1	Motor, Vac <b>(optional)</b>
C1	56409690	1	Capacitor .1 MFD	M7	56261210	1	Motor, Main Broom <b>(opt. presweep)</b>
C2	56409690	1	Capacitor .1 MFD	M8	56469530	1	Motor, Side Broom <b>(opt. presweep)</b>
C3	56409690	1	Capacitor .1 MFD	M9	56409611	1	Motor, Pump <b>(opt. extended scrub)</b>
C4	56409690	1	Capacitor .1 MFD	M10	56409785	1	Motor, Vac Dust Control <b>(opt. presweep / after SN1155853)</b>
C5	56409690	1	Capacitor .1 MFD	P1	56416395	1	Battery Fuel Gauge
C6	56409690	1	Capacitor .1 MFD	P2	56393718	1	Hourmeter
D1			Diode, Polarity	R2	56454696		Resistor / Diode Assembly <b>TSB 728</b>
D2	56389265	1	Diode	S1	56393312	1	Wand Accessory Switch <b>(optional)</b>
D7	56389265	1	Diode	S2	56301636	1	Main Switch
D10			Diode	S3			Switch, Light <b>(optional)</b>
D11			Diode	S4	56409692	1	Switch, Horn
D12	56389265	1	Diode	S5	56409613	1	Switch, Seat
E1	56392175	1	Brush Actuator Control Module	S6	56409384	1	Emergency Disconnect Switch
			Brush Turnoff Delay	S7	56409387	1	Charger Interlock Switch
E2	56392175	1	Squeegee Actuator Control Module	S8	56393312	1	Switch, Brush and High Speed Limit
			Vacuum Turnoff Delay	S9	56393312	1	Switch, Solution
E3	56409712	1	RFI Filter	S10	56393312	1	Switch, Vac
F1	56168786	1	Circuit Breaker, 13Amp <b>(aux. circuit1)</b>	S11	56409470	1	Switch, Broom <b>(opt. presweep)</b>
F2	56263260	1	Circuit Breaker, 60Amp <b>(wheel drive)</b>	S12	56393312	1	Switch, Recycle <b>(opt. ext. scrub)</b>
F3	56409230	1	Circuit Breaker, 80Amp <b>(brush motor)</b>	S13	56388167	1	Switch, Pump Stop <b>(opt. ext. scrub)</b>
F4	56387328	1	Circuit Breaker, 5Amp <b>(aux. circuit 2)</b>	S14	56388167	1	Switch, Pump Start <b>(opt. ext. scrub)</b>
F5	56454538	1	Circuit Breaker, 15Amp <b>(presweep)</b>	S16	56503014	1	Switch, Pressure <b>(opt. ext. scrub)</b>
F6	56452193	1	Circuit Breaker, 40Amp <b>(vac motor)</b>	X1	56409444	1	Battery Disconnect
F7	56228414	1	Circuit Breaker, 3.5Amp <b>(opt. ext scrub)</b>	X2	56409443	1	Charger Connector
F8	56454538	1	Circuit Breaker, 15Amp <b>(presweep dust control / after SN1157417)</b>	X3			Terminal Stud
H1	56409503	1	Head Lamp <b>(optional)</b>	X4			Seat Switch Cord Connector
H2	56482463	1	Strobe <b>(optional) TSB 743</b>	X5			Terminal Stud
H3	56482365	1	Horn	X6			Extended Scrub Connector 2
H4	56409232	1	Back-up Alarm <b>(optional)</b>	X7			Squeegee Actuator Connector
K1	56409233	1	Contactora, Reverse	X8			Strobe Connector
K2	56409233	1	Contactora, Forward	X9			Forward Switch Connector
K3	56454806	1	Contactora, Main <b>TSB 728</b>	X10			Reverse / Squeegee Switch Connector
K4	56395450	1	Contactora, Brush	X11			Brush Actuator Connector
K9	56395452	1	Contactora, Vac Motor	X12			Light Connector
K10	56395452	1	Contactora, Broom <b>(opt. presweep)</b>	X13			Control Panel Connector
K11	56261219	1	Contactora, Pump <b>(opt. ext. scrub)</b>	X14			Seat Switch Connector
K12	56395452	1	Contactora, Dust Control <b>(opt. presweep / after SN1155853)</b>	X15			Floata Switch Connector
K13	56416396	1	Relay, Brush Motor Low Voltage Shut-Off <b>(opt.)</b>	X17			Pump Motor Connector
K14	56416396	1	Relay, System Low Voltage Raise <b>(opt.)</b>	X18			Sweep Connector
L1	56409154	1	Solenoid Valve	X19			Wand Switch Connector
				X20			Solenoid Valve Connector
				X21			Speed Control Connector
				X23			Throttle Connector
				X24			Back-up Alarm Connector
				X25			Interlock Switch Connector
				X26			Extended Scrub Connector
				X27			Pre-sweep Disconnect
				X28			Contactora Harness Disconnect
				X29			Actuator Control (E1) Connector
				X30			Actuator Control (E1) Connector

**Note #1:** This speed controller can only be used in conjunction with the updated brake system.





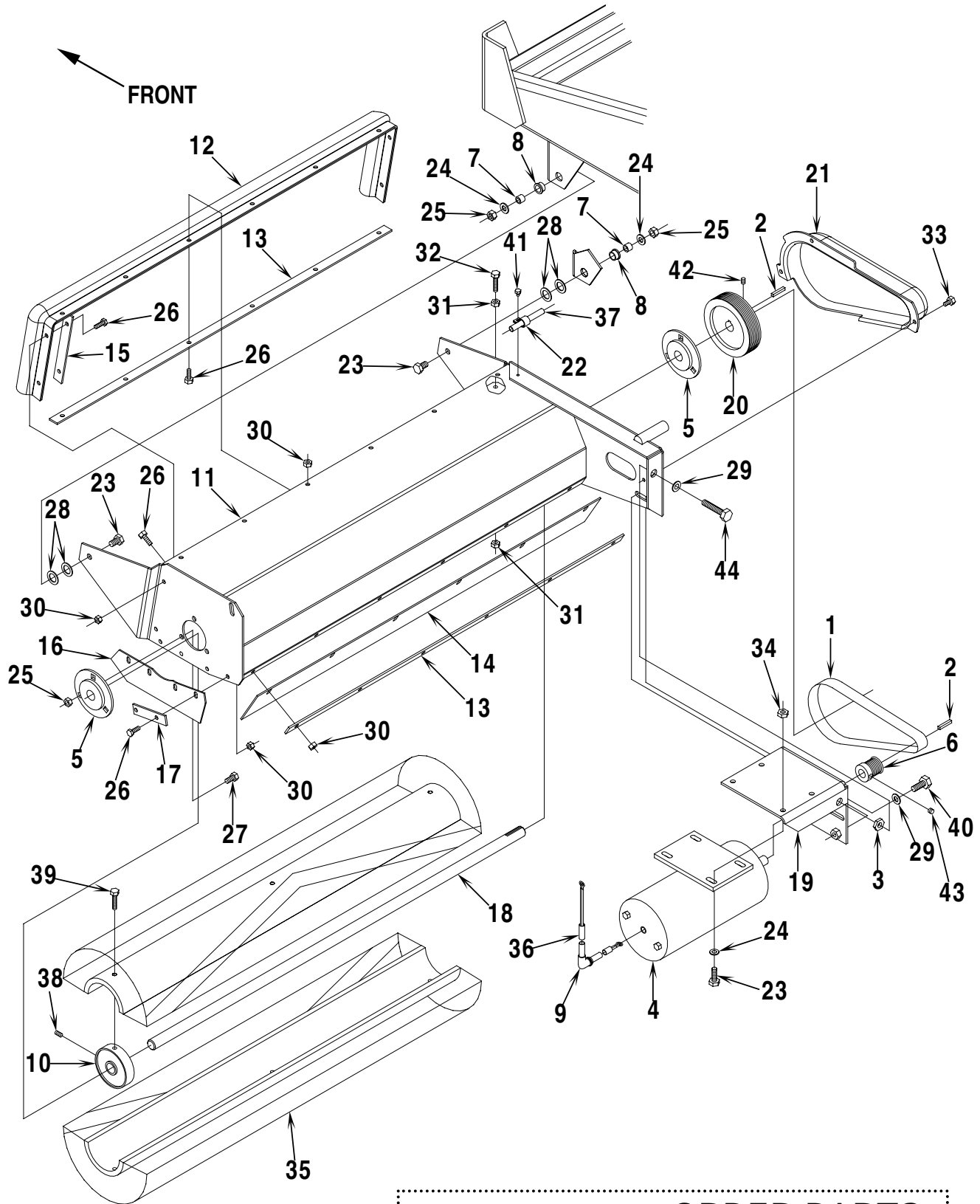
95-3	<b>EXTENDED SCRUB KIT</b>	<b>BOOK E</b>		
00-10	<b>Hydro-Retriever™ 3800 / BR 1000</b>	<b>E</b>	<b>8.3.1</b>	<b>49</b>

Item	Ref. No.	Qty	Description
	56409225	1	Extended Scrub Kit
*	56040516	1	Instruction Sheet
1	56442003	2	P Clamp
2	56459367	1	Reset Boot
3	56261219	1	Relay
4	56409606	1	Gasket
5	56392664	1	Hose
6	56323135	1	Strain Relief
7	56409611	1	Pump
*	56260740	1	Diaphragm Kit
*	56260741	1	Valve Kit
*	56503014	1	Pressure Switch
*	56503030	1	Check Valve Repair Kit
8	56409152	1	Elbow Barb
9	56409226	1	Nipple
10	56742125	1	Elbow
11	56456035	1	Strainer
12	56009095	1	Lock Nut
13	56459320	1	Rod
14	56254142	3	Hose Clamp
15	56393312	1	Extended Scrub Switch
16	56228414	1	Circuit Breaker 3.5 Amp
17	56462072	1	Connector, Male 3 Way
18	56003268	4	Retaining Ring
19	56262619	1	Hose
20	56456023	1	Float
21	56388167	2	Mercury Switch
22	56459264	3	Term. WP Male
23	56409608	2	Sleeve
24	56409607	1	Tube
25	56478246	1	Cable Tie
26	56459263	1	Seal WP Purple
27	56456027	1	Strain Relief
28	56462074	2	Seal WP Green
29	56409219	1	Cover
30	56409220	1	Gasket
31	56409434	1	Cord
32	56409227	1	Base
33	56409264	1	Extended Scrub Wiring Harness
34	56261246	2	Elbow Barb
35	56002859	2	Wsh, Flt SAE SS 1/4
36	56003047	2	Scr, Hex Hd SS 1/4-20 x .62
37	56002900	6	Scr, Pan Phil SS 10-24 x .50
38	56002836	4	Nut, Hex Nyl Loc SS 10-24
39	56002916	2	Wsh, Flt SAE SS #10
40	56002898	2	Scr, Pan Phil SS 10-24 x 1.00
41	56002005	2	Scr, Pan Phil 6-32 x .62
42	56002830	2	Nut, Hex Nyl Loc 6-32
43	56002938	2	Wsh, Flt SAE SS 5/16
44	56002913	2	Scr, Hex Hd SS 5/16-18 x 1.00
*	56409435	1	Cord

\* = Not Shown



**IVIE** ORDER PARTS  
 Enterprises, Inc. Online: [www.ivie-ent.com](http://www.ivie-ent.com)  
 Phone: (918)254-5161



ORDER PARTS

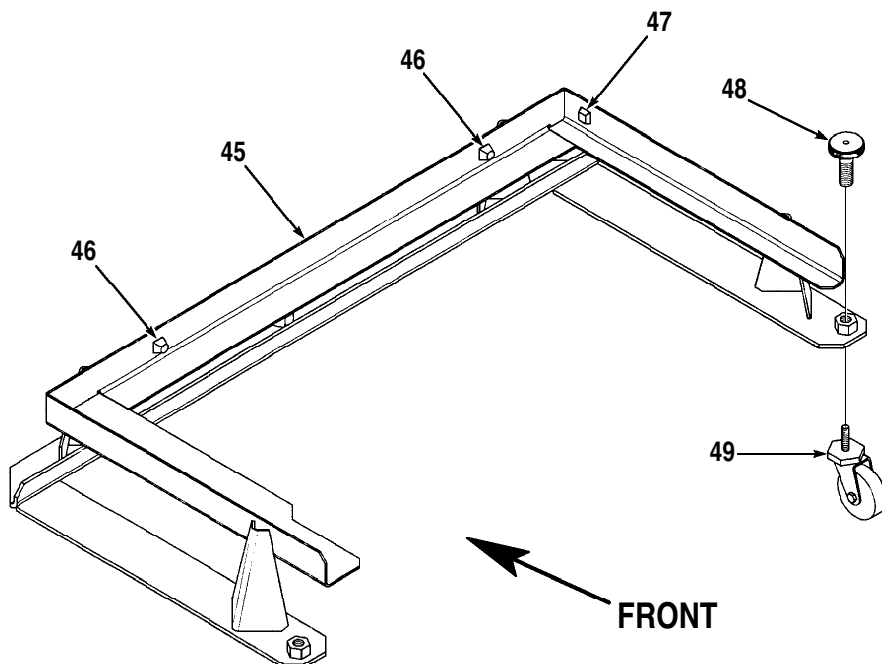
Online: [www.ivie-ent.com](http://www.ivie-ent.com)

Phone: (918)254-5161

Item	Ref. No.	Qty	Description	Item	Ref. No.	Qty	Description
	56409786	1	Presweep Kit <b>(Pages 50-57) Note #1</b>	25	56002826	8	Nut, Hex Nyl Loc Thin 5/16-18
*	56040587	1	Instruction Sheet	26	56002155	24	Scr, Hex Hd 1/4-20 x .75
1	56755263	1	Poly V Belt	27	56002035	6	Scr, Hex Hd 5/16-18 x .62
2	56003240	2	Key	28	56151858	4	Thrust Bearing
3	56009085	2	Nut, Hex Jam 3/8-16	29	56002063	2	Wsh, Flt SAE 3/8
4	56261210	1	Motor	30	56002708	24	Nut, Hex Nyl Loc 1/4-20
5	56393601	2	Flange Bearing	31	56009087	2	Nut, Hex Jam 1/4-20
6	56387542	1	Sheave	32	56002047	1	Scr, Hex Thd to Hd 1/4-20 x 1.25
7	56244941	2	Bushing	33	56009033	3	Scr, Hex Thd Form 1/4-20 x .50
8	56185264	2	Flange Bearing	34	56002701	4	Nut, Hex Nyl Loc 5/16-18
9	56754199	1	Strain Relief	35	56505627	1	Main Broom
10	56475462	3	Insert	36	56409466	1	Cord
11	56409296	1	Broom Housing	37	56409467	1	Cord
12	56409266	1	Seal	38	56002119	3	Scr, Soc Set Loc 1/4-20 x .50
13	56409267	2	Seal Strap	39	56009088	6	Scr, Hex Hd Thd Form 1/4-20 x 1.25
14	56409268	1	Rear Skirt	40	56002947	1	Scr, Hex Loc 3/8-16 x 1.00
15	56409278	2	Side Front Strap	41	56009012	1	Scr, Hex Thd Form 10-24 x .38
16	56409279	2	Side Skirt	42	56002930	2	Scr, Soc Set Loc 1/4-20 x .38
17	56409280	4	Side Skirt Strap	43	56002086	2	Scr, Soc Set Loc 5/16-18 x .25
18	56409282	1	Shaft	44	56002470	1	Scr, Hex Thd to Hd 3/8-16 x 2.00
19	56409283	1	Motor Bracket		56409547	1	Presweep Cart Assembly <b>(#45-49) Note #2:</b>
20	56409284	1	Sheave	45	56409548	1	Frame
21	56409286	1	Belt Guard	46	56382566	2	Bumper
22	56300152	1	Cable Clamp	47	56402940	2	Bumper
23	56002221	6	Scr, Hex Hd 5/16-18 x 1.00	48	56409555	3	Adjusting Knob
24	56001939	6	Wsh, Flt SAE 5/16	49	56458838	3	Caster Wheel

\* = Not Shown

**Note #1:** The Presweep Kit PN56409786 does not include the Presweep Cart Assembly PN56409547 (Items 45-49 on this page).  
**Note #2:** The Presweep Cart Assembly is used to sit the Presweep Assembly on for storage and moving to and from the machine.





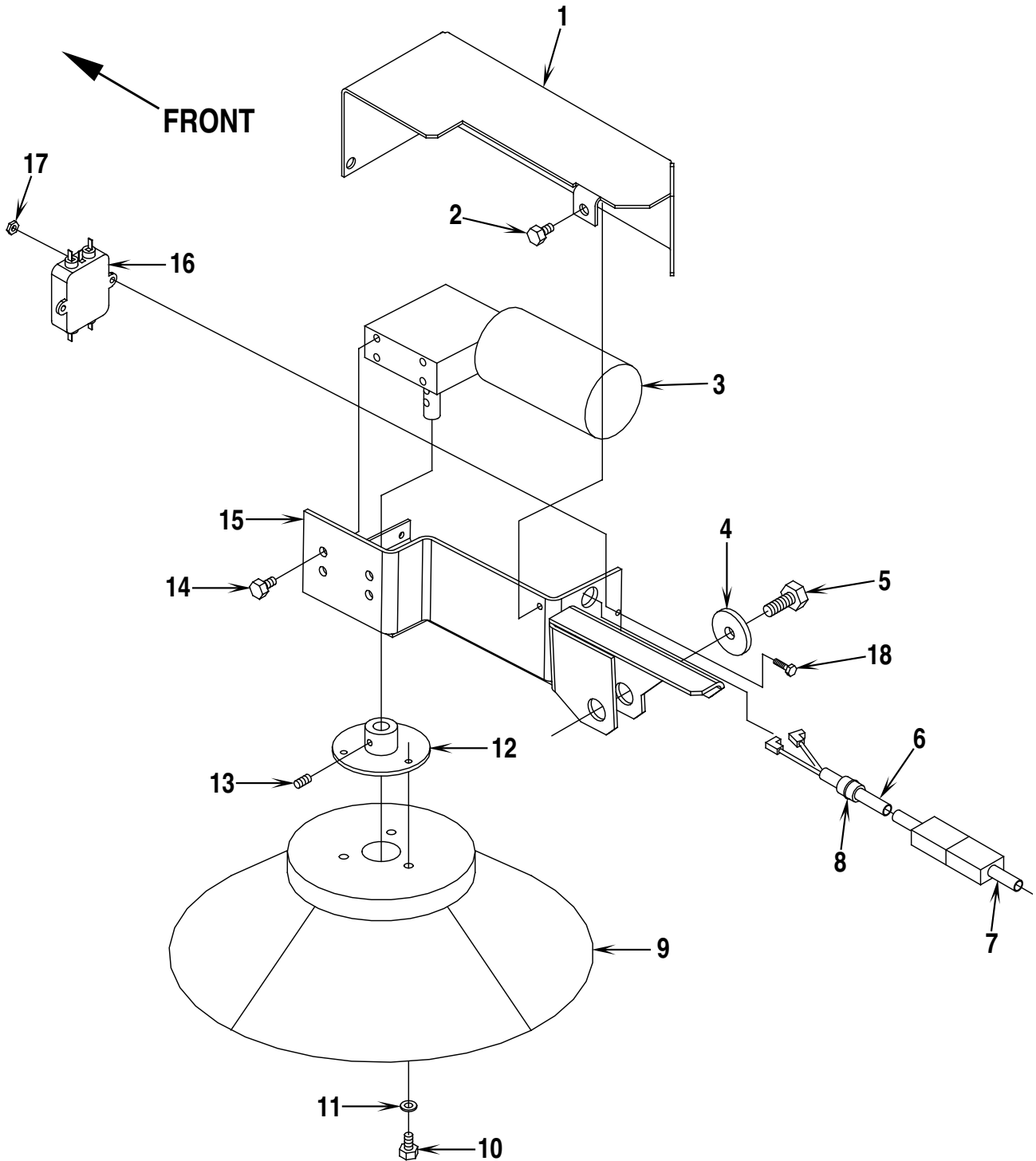
95-3	<b>PRESWEEP KIT (FRAME &amp; HOPPER)</b>	<b>BOOK E</b>		
00-10	<b>Hydro-Retriever™ 3800 / BR 1000</b>	<b>E</b>	<b>8.3.1</b>	<b>53</b>

Item	Ref. No.	Qty	Description	Item	Ref. No.	Qty	Description
1	56300101	2	Handle	30	56459192	1	Hinge
2	56379298	2	Bushing	31	56003039	1	1/4-20 x 1/2 Loc Screw
3	56009002	1	Washer	32	56002155	3	1/4-20 x 3/4 Screw
4	56395452	1	Solenoid	33	56002098	15	1/4 Flat Washer
			<b>(Used in Non Dust Control Kit)</b>	34	56002840	14	1/4-20 Thin Nyl Loc Nut
5	56365002	1	Rubber Pad	35	56002948	1	1/4-20 x 3/4 Loc Screw
6	56009012	2	#10-24 x 3/8 HP-5 Screw	36	56002124	4	#10-24 x 5/8 Screw
7	56002086	1	5/16-18 x 1/4 Loc Set Screw	37	56001836	8	1/4-20 x 5/8 Screw
8	56002829	1	Scr, Hex Thd Form 10-24 x .62	38	56002063	4	3/8 Flat Washer
			<b>(Used in Non Dust Control Kit)</b>	39	56002841	4	3/8-16 Thin Nyl Loc Nut
9	56009096	4	Washer	40	56002708	2	1/4-20 Nyl Loc Nut
10	56409470	1	Switch	41	56009087	3	1/4-20 Jam Nut
11	56244941	4	Bushing	42	56002047	2	1/4-20 x 1-1/4 Screw
12	56185264	4	Flange Bearing	43	56409558	1	Connector Assembly
13	56470173	2	Flange Bearing	44	56409560	2	Pin
14	56367354	1	Collar	45	56003140	2	5/16 x 2-3/4 Spring Pin
15	56323135	4	Water Tight Strain Relief	46	56002734	2	5/16 x 1 Spring Pin
16	56009095	4	1/2-14 Lock Nut	47	56001821	6	1/4-20 x 7/8 Screw
17	56481890	1	P Clamp	48	56002127	4	3/8-16 x 3/4 Bolt
18	56409659	1	Hopper	49	56001939	5	5/16 Flat Washer
			<b>(Used in Non Dust Control Kit)</b>	50	56001834	4	5/16-18 x 1-1/4 Bolt
	56409803	1	Hopper	51	56002701	8	5/16-18 Nyl Loc Nut
			<b>(Used in Dust Control Kit)</b>	52	56002503	2	#10-24 x 1/2 Screw
19	56409270	1	Front Skirt	53	56001954	2	#10 Flat Washer
20	56409271	1	Front Flap Strap	54	56002768	4	#10-24 Nyl Loc Nut
21	56409297	1	Frame	55	56409468	1	Cord
22	56409293	1	Strap	56	56009033	1	Scr, Hex Thd From 1/4-20 x .50
23	56409298	1	Lift Lever				<b>(Used in Non Dust Control Kit)</b>
24	56409657	1	Cover	57	56002504	2	Scr, Hex 10-24 x 3/4
25	56409395	2	Strap				
26	56409767	1	Rod				
27	56409481	2	Plate				
28	56409484	1	Cover				
			<b>(Used in Non Dust Control Kit)</b>				
29	56342319	1	Cable Clamp				

**NOTE:** See TSB 666 (Dust Control Field Kit)



**IVIE** ORDER PARTS  
 Enterprises, Inc. Online: [www.ivie-ent.com](http://www.ivie-ent.com)  
 Phone: (918)254-5161



**IVIE**  
Enterprises, Inc.

ORDER PARTS

Online: [www.ivie-ent.com](http://www.ivie-ent.com)

Phone: (918)254-5161

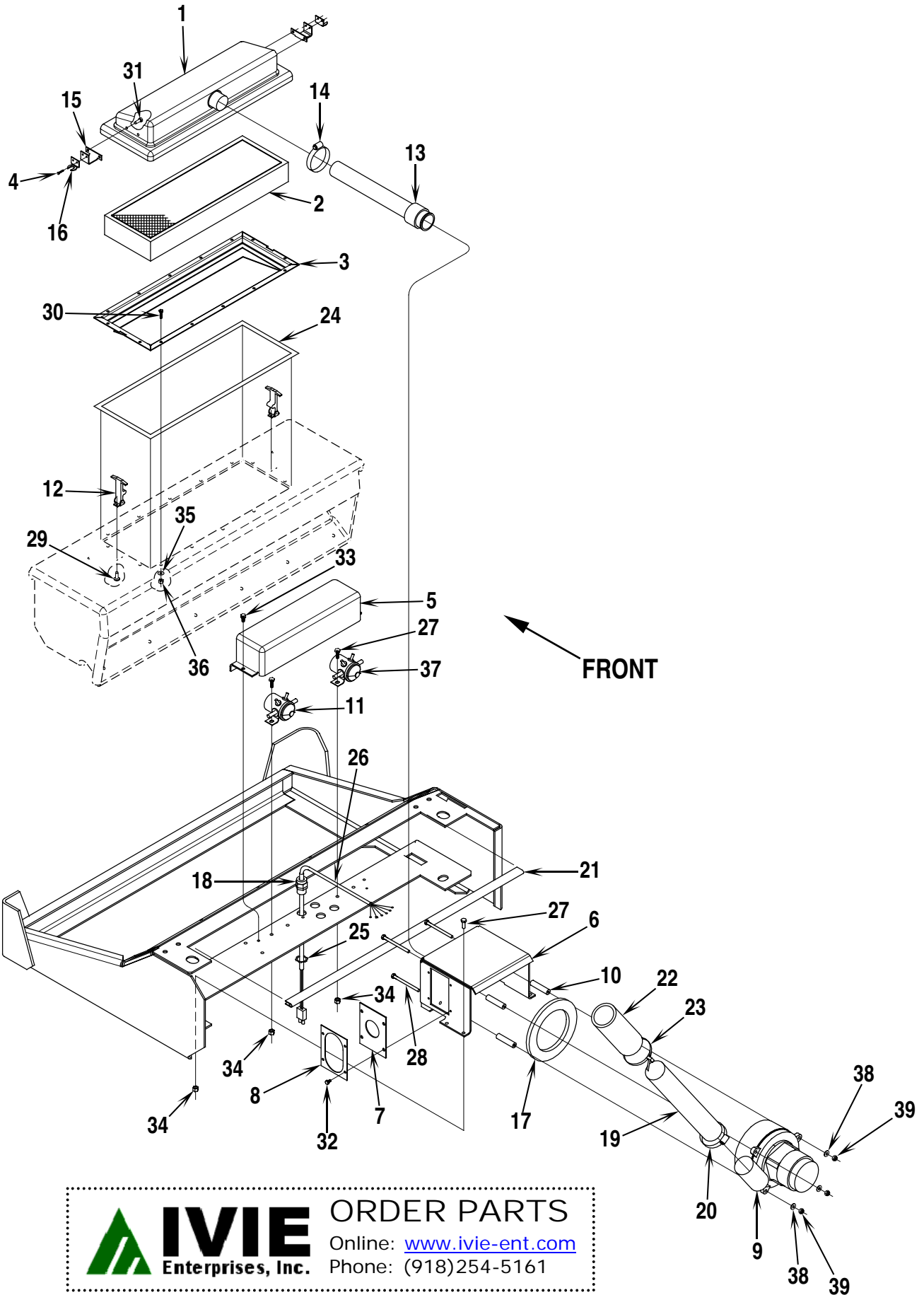
95-3	<b>PRESWEEP KIT (SIDE BROOM)</b>	<b>BOOK E</b>		
00-10	<b>Hydro-Retriever™ 3800 / BR 1000</b>	<b>E</b>	<b>8.3.1</b>	<b>55</b>

Item	Ref. No.	Qty	Description
1	56409483	1	Cover Plate <b>(without RFI filter)</b>
	56409715	1	Cover Plate <b>(with RFI filter)</b>
2	56009033	9	1/4-20 x 1/2 HP-5 Screw
3	56469530	1	Motor <b>(without RFI filter)</b>
	56409713	1	Motor <b>(with RFI filter)</b>
*	56471129	1	Carbon Brush Kit <b>(for PN 56469530 &amp; 56409713)</b>
*	56471167	1	Gear Assembly, Replacement <b>(for PN 56469530 &amp; 56409713)</b>
4	56367117	1	Washer
5	56002947	1	3/8-16 x 1 Loc Bolt
6	56409714	1	Cord
7	56409467	1	Cord
8	56163015	1	Strain Relief
9	56475179	1	Side Broom
10	56001854	3	1/4-20 x 1/2 Screw
11	56002098	15	1/4 Flat Washer
12	56467522	1	Brush Holder
13	56002119	4	1/4-20 x 1/2 Loc Set Screw
14	56002933	4	1/4-20 x 3/8 Loc Screw
15	56409302	1	Side Broom Mount <b>(without RFI filter)</b>
	56409716	1	Side Broom Mount <b>(with RFI filter)</b>
16	56409712	1	RFI Filter
17	56002802	2	Nut, Hex Nyl Loc 8-32
18	56003007	2	Scr, Hex Hd 8-32 x .50

\* = Not Shown

	<b>ORDER PARTS</b>
	Online: <a href="http://www.ivie-ent.com">www.ivie-ent.com</a> Phone: (918)254-5161





ORDER PARTS

Online: [www.ivie-ent.com](http://www.ivie-ent.com)

Phone: (918)254-5161

95-3	<b>PRESWEEP KIT (DUST CONTROL)</b>	<b>BOOK E</b>		
01-11	<b>Hydro-Retriever™ 3800 / BR 1000</b>	<b>E</b>	<b>8.3.1</b>	<b>57</b>

Item	Ref. No.	Qty	Description
1	56409758	1	Filter Cover
2	56409760	1	Filter Assy
3	56409757	1	Filter Retainer
4	56003419	4	Rivet, Blind
5	56409768	1	Cover
6	56409762	1	Vac Motor Mount
7	56409765	1	Boot
8	56409764	1	Plate, Cover
9	56409785	1	Vac Motor
*	56377001	1	Carbon Brush Set (for 56409785)
10	56409763	3	Stand-Off
11	56395452	1	Solenoid (Vac Motor)
12	56393560	2	Latch
13	56409761	1	Hose
14	56329145	1	Hose Clamp
15	56409759	2	Keeper, Mount
16	56393559	2	Keeper
17	56385437	1	Gasket
18	56323135	4	Strain Relief
19	56323295	1	Hose
20	56440213	1	Hose Clamp
21	56409779	1	Gasket
22	56391807	1	Foam, Acoustical
23	56477613	1	Tie, Cable
24	56209434	48"	Gasket (122 cm)
25	56009095	4	Nut, Conduit Lock 1/2-14
26	56409773	1	Wiring Harness (Vac Motor)
27	56002155	8	Scr, Hex Hd 1/4-20 x .75
28	56001817	3	Scr, Hex 1/4-20 x 3.25
29	56002438	4	Scr, Pan Phil Thd Form 8-32 x .50
30	56002504	14	Scr, Hex Hd #10-24 x .75
31	56002530	4	Scr, Hex Thd Form 1/4-20 x .38
32	56009012	4	Scr, Hex Thd Form #10-24 x .38
33	56009033	2	Scr, Hex Thd Form 1/4-20 x .50
34	56002840	8	Nut, Hex Nyl Loc-Thin 1/4-20
35	56001954	4	Wsh, Flt SAE #10
36	56002768	4	Nut, Hex Nyl Loc #10-24
37	56395452	1	Solenoid (Main Broom / Side Broom)
38	56002098	3	Wsh, Flt SAE 1/4
39	56002708	3	Nut Hex Nyl Loc 1/4-20

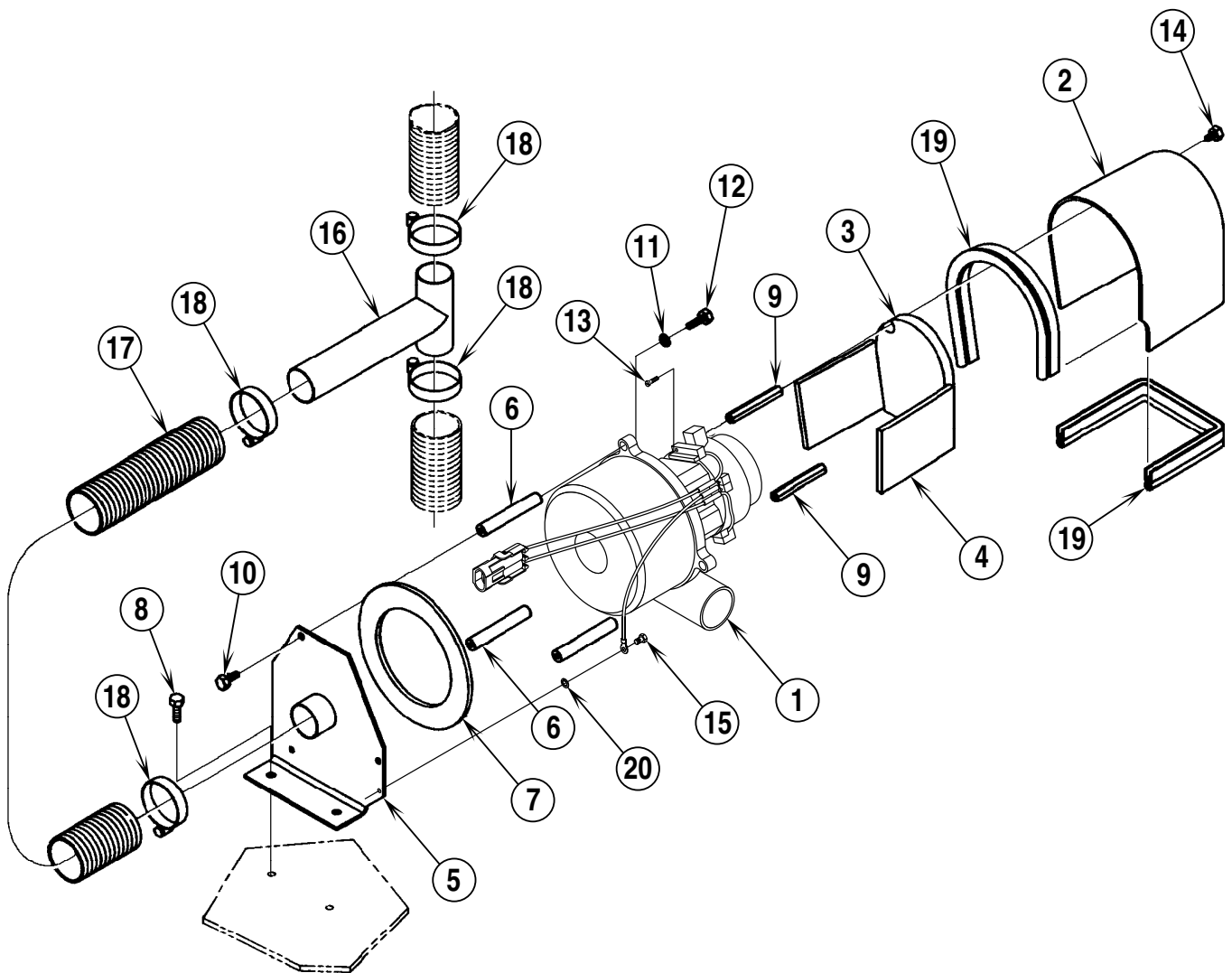
\* = Not Shown

**NOTE:** All Presweep Kits built after SN1155853 will come standard with dust control.



**IVIE** ORDER PARTS  
 Enterprises, Inc. Online: [www.ivie-ent.com](http://www.ivie-ent.com)  
 Phone: (918)254-5161

FRONT



**IVIE**  
Enterprises, Inc.

ORDER PARTS

Online: [www.ivie-ent.com](http://www.ivie-ent.com)

Phone: (918)254-5161

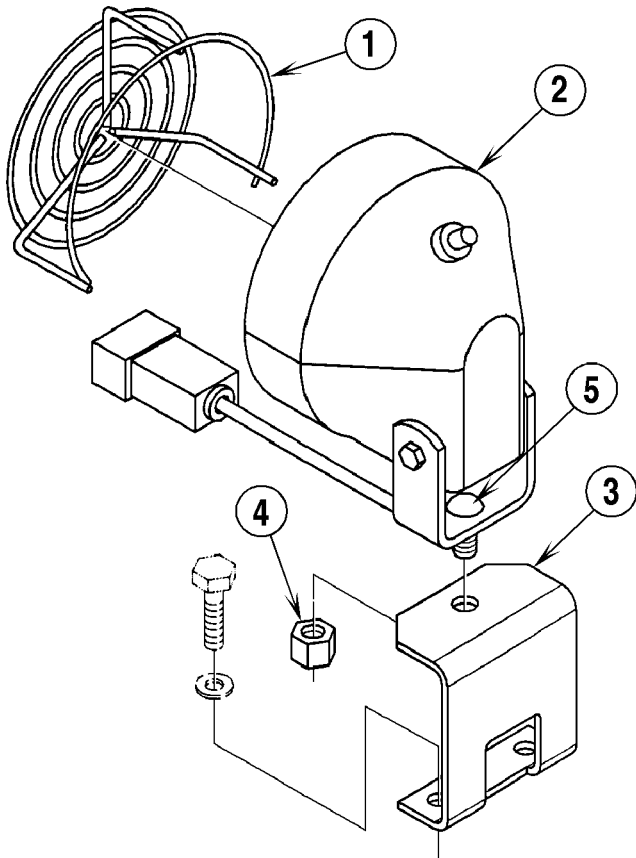
95-3	<b>DUAL VACUUM MOTOR KIT</b>	<b>BOOK E</b>		
01-11	<b>Hydro-Retriever™ 3800 / BR 1000</b>	<b>E</b>	<b>8.3.1</b>	<b>59</b>

Item	Ref. No.	Qty	Description
	56409245	1	Dual Vacuum Motor Kit
*	56040515	1	Instruction Sheet
1	56409705	1	Vacuum Motor
*	56377001	1	Carbon Brush Kit (for 56409705)
2	56409383	1	Motor Cover
3	56409542	1	Accoustical Foam
4	56409541	2	Accoustical Foam
5	56409163	1	Vacuum Motor Mount
6	56377475	3	Standoff
7	56385437	1	Gasket
8	56002956	2	5/16-18 x 3/4 Loc Bolt
9	56391795	2	Standoff
10	56003039	3	1/4-20 x 1/2 Screw
11	56002098	3	1/4 Flat Washer
12	56002948	3	1/4-20 x 3/4 Screw
13	56002005	2	#6-32 x 5/8 Screw
14	56009075	2	#8-32 x 3/8 HP-5 Screw
15	56009012	1	Scr, Hex Hd Th Form 10-24 x .38
16	56409363	1	Tee
17	56409585	1	Hose, Vacuum
18	56329145	4	Hose Clamp
19	56409584	2	Gasket
20	56009011	1	Wsh, Int Shprf #10

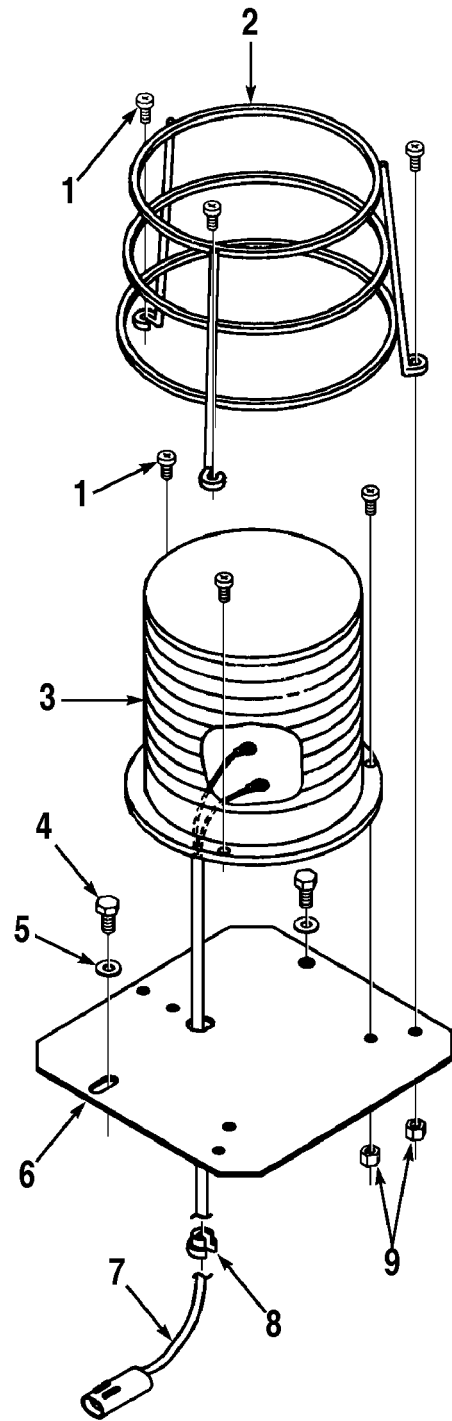
\* = Not Shown

	<b>ORDER PARTS</b>
	Online: <a href="http://www.ivie-ent.com">www.ivie-ent.com</a> Phone: (918)254-5161

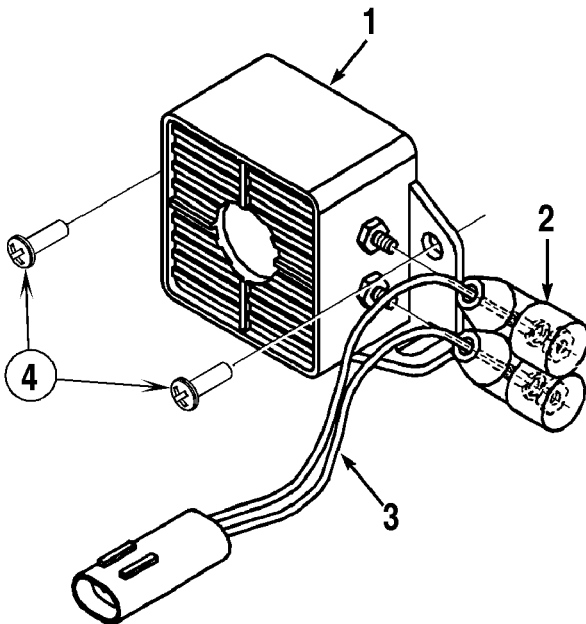
HEADLIGHT KIT



BEACON KIT



BACK-UP ALARM KIT



ORDER PARTS

Online: [www.ivie-ent.com](http://www.ivie-ent.com)

Phone: (918)254-5161

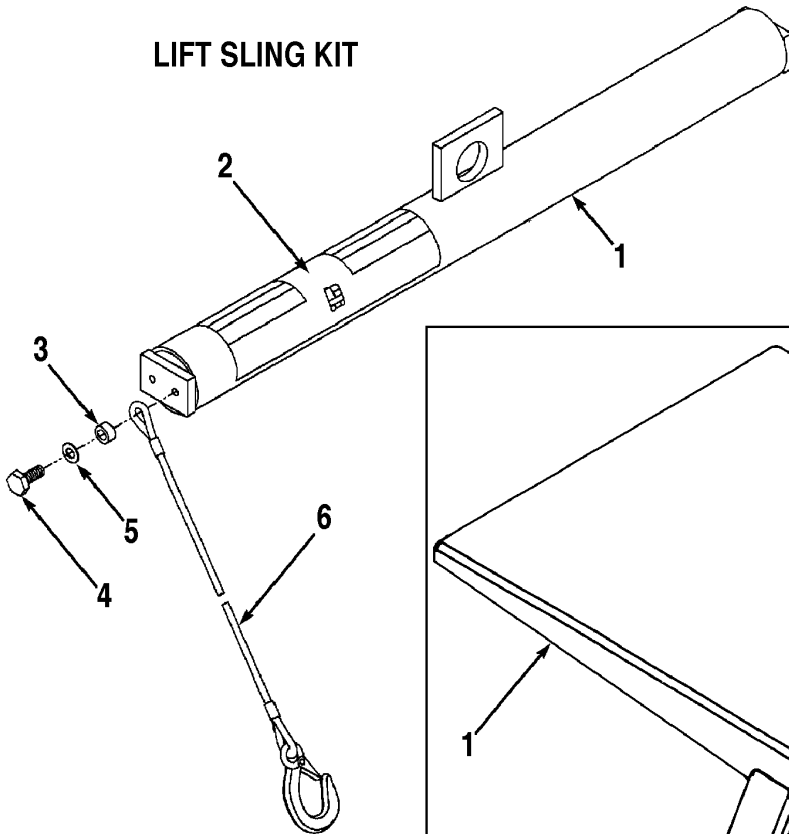
95-3	<b>HEADLIGHT/BEACON/BACKUP ALARM KITS</b>	<b>BOOK E</b>		
01-3	<b>Hydro-Retriever™ 3800 / BR 1000</b>	<b>E</b>	<b>8.3.1</b>	<b>61</b>

Item	Ref. No.	Qty	Description
	56409631	1	Headlight Kit
*	56040550	1	Instruction Sheet
1	56409557	1	Headlight Guard
2	56409503	1	Headlight
3	56409630	1	Bracket
4	56002701	1	Nut, Hex Nyl Loc 5/16-18
5	56002035	1	Scr, Hex 5/16-18 x .62
	56409242	1	Beacon Kit
*	56040512	1	Instruction Sheet
1	56002124	6	Scr, Pan Phil 10-24 x .62
2	56482464	1	Guard
3	56482463	1	Beacon <b>TSB 743</b>
4	56002035	2	Scr, Hex Hd 5/16-18 x .62
5	56001939	2	Wsh, Flt SAE 5/16
6	56409235	1	Mount Plate
7	56409496	1	Cord
8	56382817	1	Strain Relief
9	56002832	6	Nut, Hex Nyl Loc Thin 10-24
	56409244	1	Back-Up Alarm Kit
*	56040514	1	Instruction Sheet
1	56409232	1	Back-Up Alarm
2	56409538	2	Terminal Insulator
3	56409495	1	Wire Assembly
4	56009062	2	Scr, Pan Phil Thd Form 1/4-20 x .50

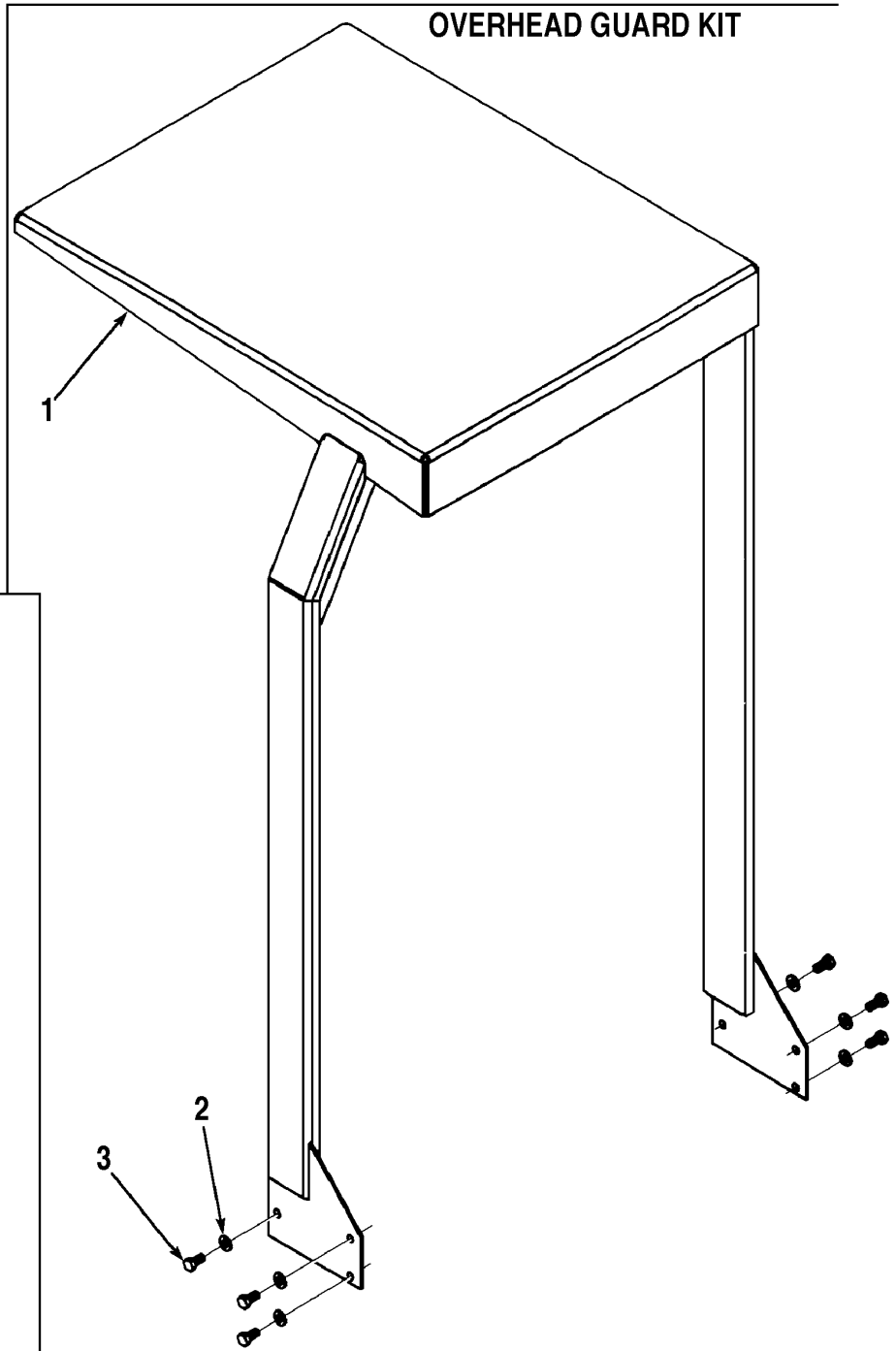
\* = Not Shown

	<b>ORDER PARTS</b>
	Online: <a href="http://www.ivie-ent.com">www.ivie-ent.com</a> Phone: (918)254-5161

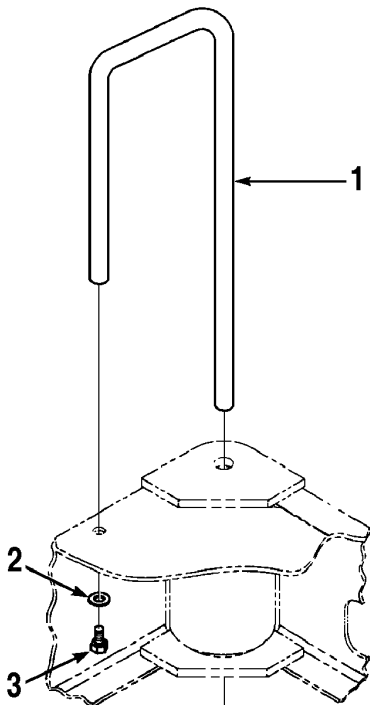
LIFT SLING KIT



OVERHEAD GUARD KIT



FOOT GUARD KIT



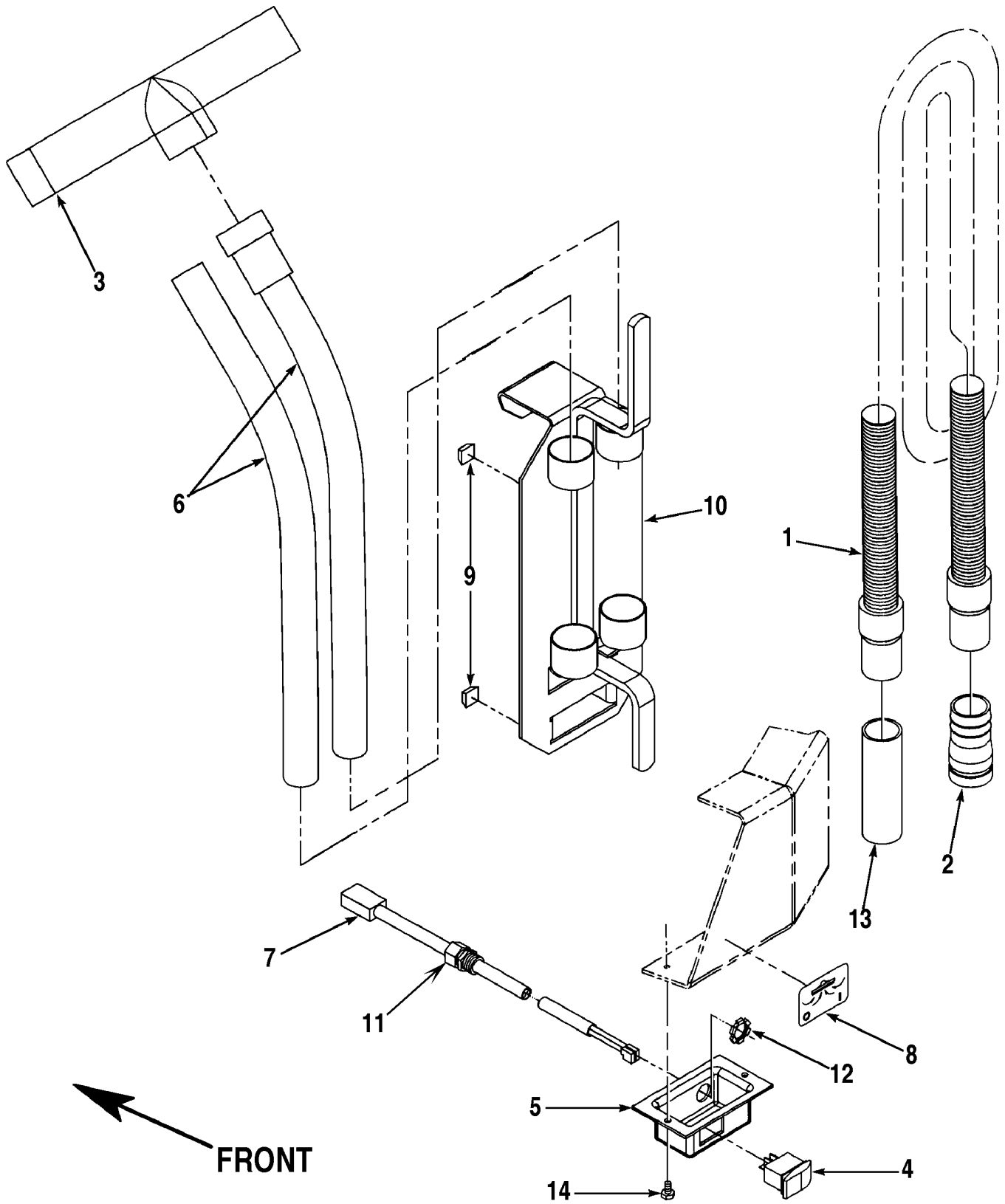
95-3	<b>LIFT SLING/OVERHEAD GUARD/FOOT GUARD KITS</b>	<b>BOOK E</b>		
00-10	<b>Hydro-Retriever™ 3800 / BR 1000</b>	<b>E</b>	<b>8.3.1</b>	<b>63</b>

Item	Ref. No.	Qty	Description
	56409569	1	Lift Sling Kit
*	56040521	1	Instruction Sheet
1	56409571	1	Lift Bar
2	56015656	1	Decal, Warning Lifting
3	56491726	4	Bushing
4	56003022	4	1/2-13 x 1-1/4 Bolt
5	56002168	4	1/2 Flat Washer
6	56409570	4	Sling Cable
	56409241	1	Overhead Guard Kit
*	56040511	1	Instruction Sheet
1	56409218	1	Overhead Guard
2	56001879	6	1/2 Flat Washer
3	56003083	6	1/2-13 x 1 Loc Bolt
	56409508	1	Foot Guard Kit
*	56040518	1	Instruction Sheet
1	56409509	1	Foot Guard
2	56002063	1	3/8 Flat Washer
3	56003040	1	3/8-16 x 5/6 Loc Bolt

\* = Not Shown

	<b>ORDER PARTS</b>
	Online: <a href="http://www.ivie-ent.com">www.ivie-ent.com</a> Phone: (918)254-5161





FRONT

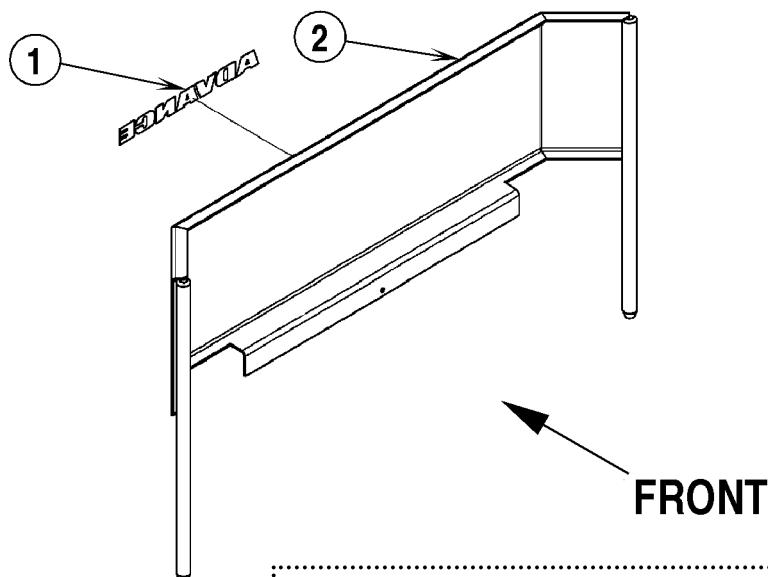
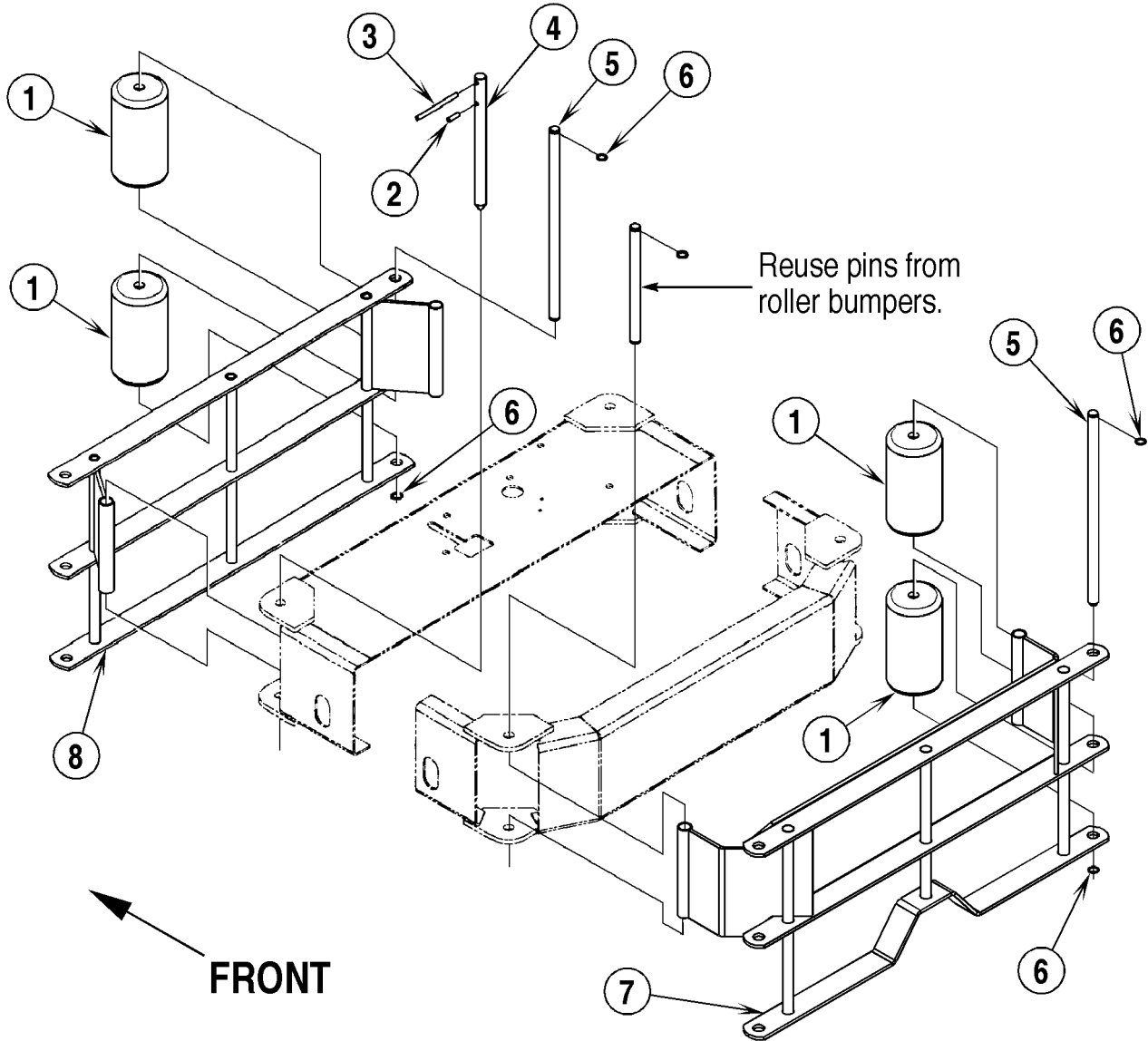
95-3	<b>VACUUM WAND CADDY KIT</b>	<b>BOOK E</b>		
00-10	<b>Hydro-Retriever™ 3800 / BR 1000</b>	<b>E</b>	<b>8.3.1</b>	<b>65</b>

Item	Ref. No.	Qty	Description
	56409694	1	Vacuum Wand Caddy Kit <b>Note #1</b>
*	56040570	1	Instruction Sheet
1	56329062	1	Hose
2	56301339	1	Coupler
3	56205114	1	Tool
4	56393312	1	Wand Switch
5	56409562	1	Switch Cover
6	56409563	1	Wand ( <b>2-piece</b> )
7	56409693	1	Cord ( <b>female socket connector</b> )
8	56015654	1	Decal, Wand Switch
9	56402940	4	Bumper
10	56409565	1	Wand Caddy
11	56323135	1	Strain Relief
12	56009095	1	1/2-14 Lock Nut
13	56204536	1	Extension, Coupler
14	56009033	2	1/4-20 x 1/2 HP-5 Screw

\* = Not Shown

**Note #1** The earlier PN 56409561 Vacuum Wand Caddy Kit used a different item (7) cord connector PN 56409564 which used a male pin connector end.

	<b>ORDER PARTS</b> Online: <a href="http://www.ivie-ent.com">www.ivie-ent.com</a> Phone: (918)254-5161
---	--



95-3	<b>INDUSTRIAL KIT / FRONT PANEL KIT</b>	<b>BOOK E</b>		
00-10	<b>Hydro-Retriever™ 3800 / BR 1000</b>	<b>E</b>	<b>8.3.1</b>	<b>67</b>

Item	Ref. No.	Qty	Description
	56409591	1	Industrial Kit
*	56040531	1	Instruction Sheet
1	56409335	8	Roller Bumper
2	56002734	2	Pin, Spring .31 x 1
3	56003140	2	Pin, Spring .31 x 2.75
4	56409560	2	Pin
5	56409592	4	Pin
6	56003266	8	Retaining Ring
7	56409596	1	Rear Guard
8	56409595	1	Front Guard

\* = Not Shown

	56409603	1	Front Panel Kit <b>(3800 only)</b>
*	56040532	1	Instruction Sheet
1	56030008	1	Decal, Advance
2	56409602	1	Front Panel

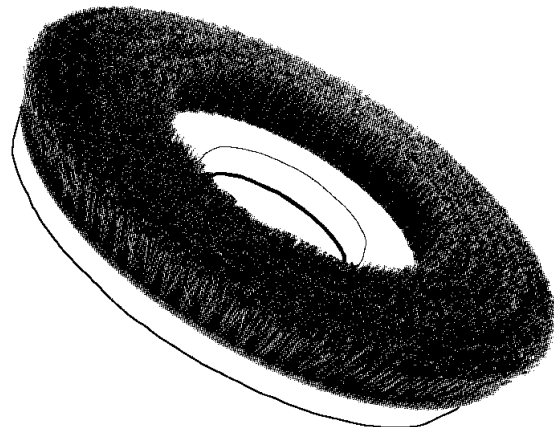
\* = Not Shown

 <b>IVIE</b> Enterprises, Inc.	<b>ORDER PARTS</b> Online: <a href="http://www.ivie-ent.com">www.ivie-ent.com</a> Phone: (918)254-5161
--	--

We manufacture brushes and pad holders that will give you the best possible performance between machine and floor. Following are descriptions of the materials and their applications when used on the BR 1000.

- Union Mix:** Medium grade natural fibers for polishing finished floors with standard-speed equipment. Recommended for use in place of white pads.
- ProLite:** Bristles are made from light-duty polypropylene for general scrubbing when you do not want to scratch or remove finish from the floor. Recommended for use in place of red pads.
- Prolene:** Polypropylene material for medium-duty scrubbing on concrete, terrazzo and vinyl floor tile. Recommended for use in place of green or blue pads.
- Magna Grit:** For extreme heavy-duty scrubbing or stripping of floors. This brush has extra large diameter silicon carbide grit impregnated synthetic bristles. Recommended for use in place of black pads.
- Dyna Grit:** For aggressive, heavy-duty scrubbing or stripping of floors. Recommended for use in place of brown pads.
- MidLite Grit:** For general purpose scrubbing of sealed or unsealed concrete, stone, terrazzo, quarry tile and other resilient hard floor surfaces. Recommended for use in place of green or blue pads.
- MidGrit:** For general purpose scrubbing when you need a lighter action for sealed or unsealed concrete, stone, terrazzo, quarry tile and other resilient hard floor surfaces. Recommended for use in place of green or blue pads.
- AgLite Grit:** For light scrubbing when used wet; buffing or polishing when used dry on urethane coated, sealed concrete or other resilient hard surface floors. Recommended for use in place of red or white pads.
- Short Trim Pad Holder:** Made with a structural foam block and center ring for correct pad centering. It has a "shower feed" design for getting solution to the floor.

- Ref. No.:**
- 56505796 - Union Mix
  - 56505794 - Prolene
  - 56505792 - Dyna Grit
  - 56505797 - MidGrit
  - 56505790 - Short Trim Pad Holder
  - 56505795 - ProLite
  - 56505791 - Magna Grit
  - 56505798 - MidLite Grit
  - 56505793 - AgLite Grit



**IVIE**  
Enterprises, Inc.

ORDER PARTS

Online: [www.ivie-ent.com](http://www.ivie-ent.com)

Phone: (918)254-5161

# Material composition of the Nilfisk BR 1000



**IVIE**  
Enterprises, Inc.

ORDER PARTS

Online: [www.ivie-ent.com](http://www.ivie-ent.com)

Phone: (918)254-5161

