

BR 600S/650S/700S/800S+C

Model:

BR 600S
BR 600S C
BR 600S C EDS
BR 600S EDS
BR 650 S C EDS
BR 650S
BR 650S C
BR 650S EDS
BR 700S
BR 700S C
BR 700S C EDS
BR 700S EDS
BR 800S
BR 800S C
BR 800S C EDS
BR 800S EDS



Part List US-English

23-04-2010

Table of Contents

BR 600S/650S/700S/800S+C

Chassis system	3
Decal system	5
Detergent injection system (AXP/ECO+solution)	7
Drive & brake pedal assemblies	9
Electrical panel assembly	11
Front wheel assembly	13
Recovery system	15
Scrub system-cylindrical	18
Scrub system-disk 24", 26", 28"	22
Scrub system-disk 32"	26
Skirt assemblies-cylindrical	30
Skirt assemblies-disk (before TSBUS2004-884)	32
Skirt assemblies-disk (after TSBUS2004-884)	35
Solution system (standard)	38
Solution system (AXP/ECO+solution)	43
Squeegee assembly	46
Squeegee system - top view of squeegee tool castin	48
Squeegee system	50
Squeegee system - IN - OUT position	52
Steering column assembly	54
Wiring diagram before SN chart	57
Wiring diagram after SN chart	60
Brush selector guide disk	63
Brush selector guide cylendrical	66
Optional kits and accessories	68
Optional kits and accessories	71
56412223 - Vacuum Wand Caddy Kit with inserts A	73
56412223 - Vacuum Wand Caddy Kit without inserts A	75
56314308 - Scrub-N-Vac Tool Kit	77
1462112000 - On Board Charger kit	79
56314302 - Warning Beacon Kit, before May 2008	81
56314302 - Warning Beacon Kit, after April 2008	83
56314306 - Right side Broom Kit	85
56314313 - Headlight Kit	87
56314338 - Dual Vac Motor Kit	89
56316520 - Kit, Deck BR 600S	91
56316521 - Kit, Deck BR 600SC	93
56316522 - Kit, Deck BR 700S	95
56316523 - Kit, Deck BR 700SC	97

Table of Contents

BR 600S/650S/700S/800S+C

56314710 - Control and Actuator Update Kit	99
56314920 - Drive Wheel Harness Kit	101
56314919 - Flow Control Kit	103
56314312/56422162 - Seat Belt Kit	105
56314905 - Solution Flow Kit	107
56316186 - Dual Vac Motor Kit	109
146 2112 000 - On Board Charger Kit	111

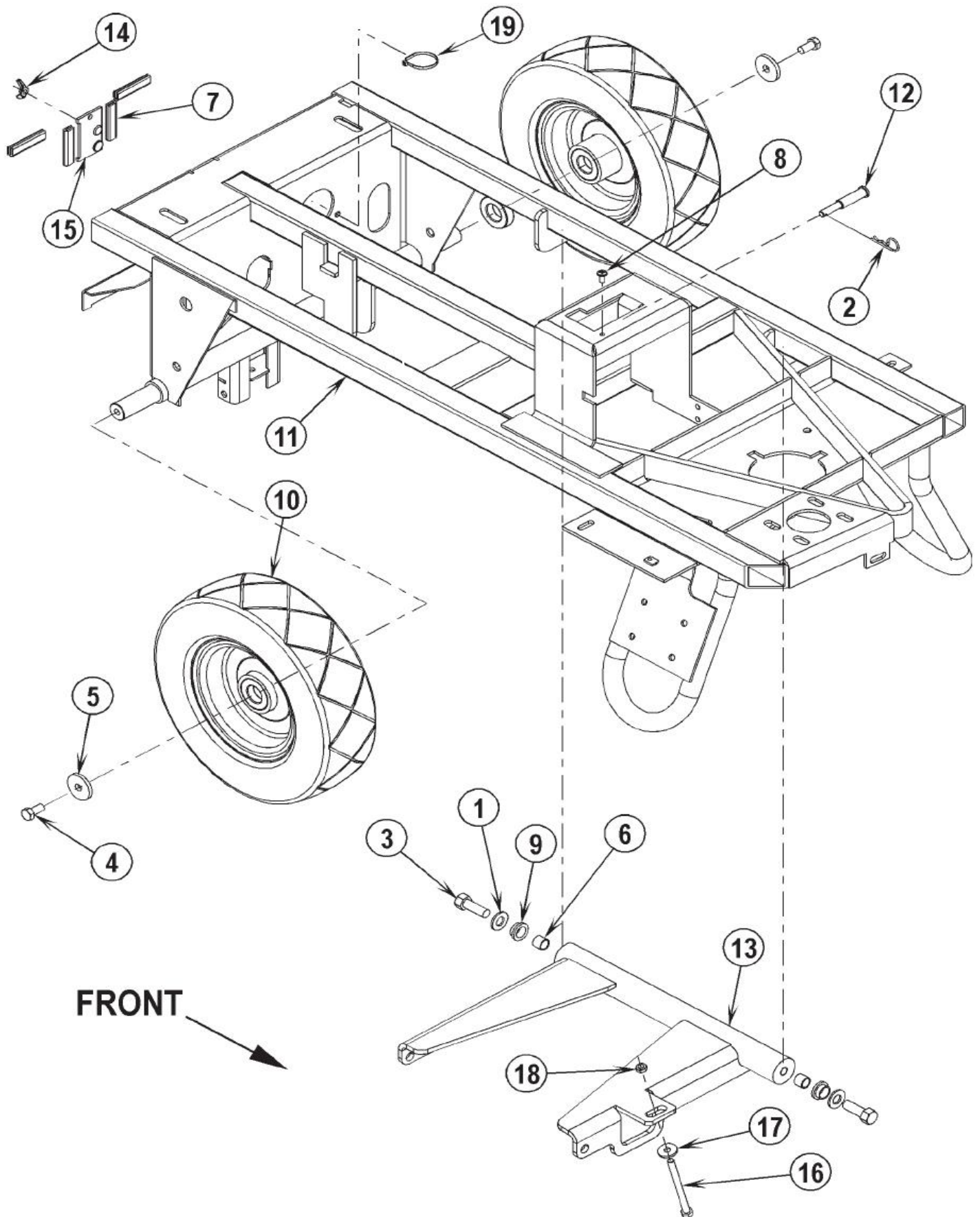
Chassis system

BR 600S/650S/700S/800S+C

23-04-2010

Part List ID
E13313

3



Chassis system

BR 600S/650S/700S/800S+C

23-04-2010

Part List ID E13313

4

Pos	Part no.	Qty	Description	EAN
1	56001879	2	WSH FLT SAE 1/2	
2	56002959	1	PIN COT HAIR SS.090XDIA.50/.75	
3	56003415	2	SCR HEX THD TO HDM12 1.75X35MM	
4	56003442	2	SCR HEX LOC M10 1.50X20MM	
5	56367117	2	WSH FLT STEEL .406CV31C	
6	56367206	2	BUSHING CV32G	
7	56412122	4	TRIM EDGE	
8	56009126	1	SCR PANPHILTHD FORM 1/4 20X.75	
9	56420160	2	BEARING FLANGE E00201	
10	56316540	2	ASSEMBLY WHEEL AND BEARING	
10	56316541	2	ASSEMBLY WHEEL AND BEARING	Optional part
10	56412243	4	BEARING BALL	
10	56412341	2	SCRUBBER COMPOUND WHEEL W/BRG	Optional part
11	56314092	1	WELDMENT CHASSIS	
12	56314152	1	PIN ACTUATOR	
13	56314495	1	LINKAGE ARM WELDMENT	
15	56314537	1	SQUEEGEE STOP BRACKET	
16	56002461	1	SCR HEX THD TO HD 5/16 18X4.00	
17	56009122	1	WSH FLT .344X.938X.125	
18	56009086	1	NUT HEX JAM 5/16 18	
19	56477613	9	CABLE TIE E00549 RE409S	Not shown
19	56478246	1	CABLE TIE E00549 RE438BA	
19	56478246	5	CABLE TIE E00549 RE438BA	Not shown

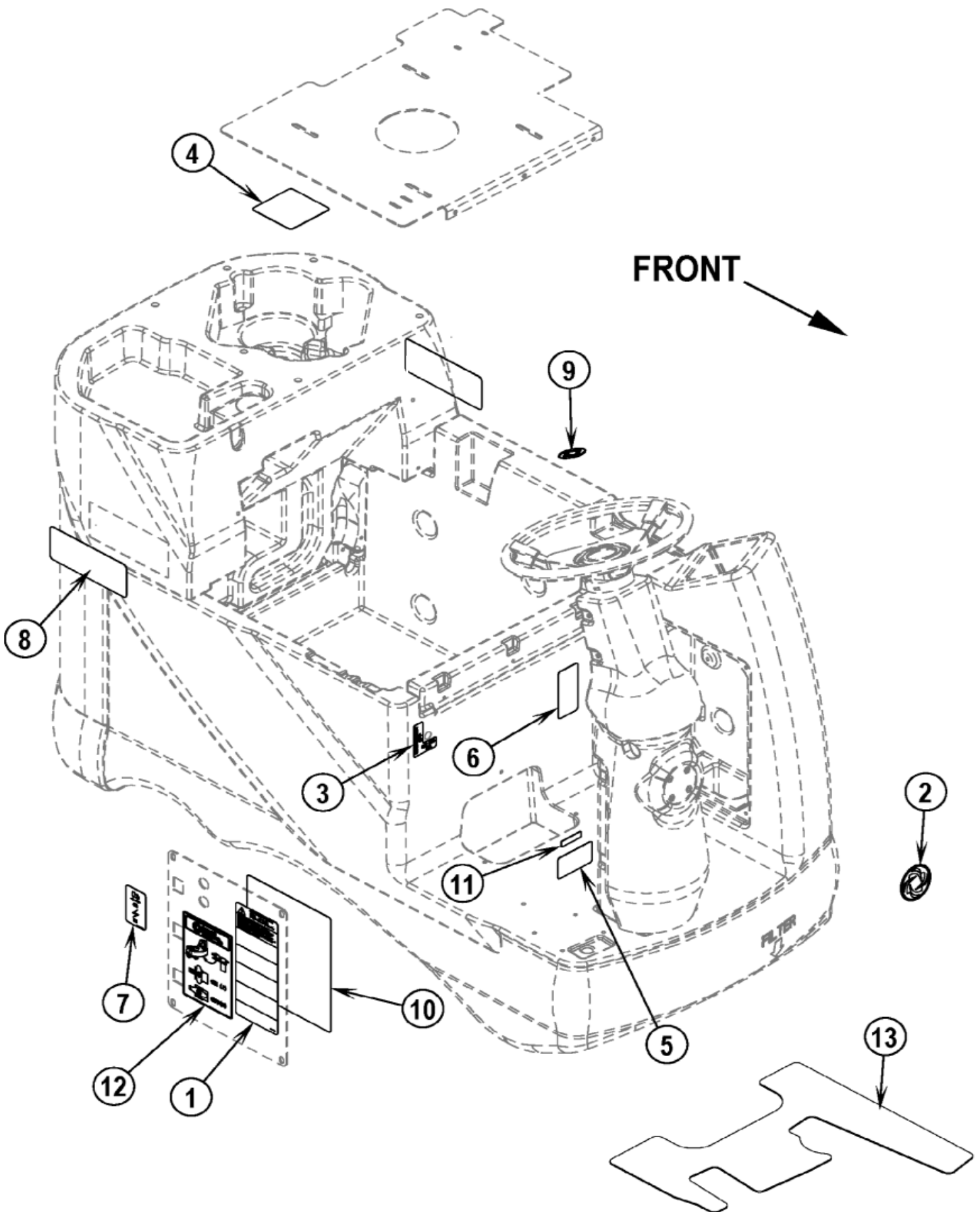
Decal system

BR 600S/650S/700S/800S+C

23-04-2010

Part List ID E13315

5



Decal system

BR 600S/650S/700S/800S+C

23-04-2010

Part List ID

E13315

6

Pos	Part no.	Qty	Description	EAN
1	56014601	1	DECAL CAUTION	
2	56016348	1	DECAL LOGO	
3	56015179	1	DECAL EMERGENCY	
4	56015168	1	DECAL BATTERY WIRING	
5	56016401	1	DECAL PARKING BRAKE	
6	56015445	1	DECAL SOLUTION FLOW	(before TSBUS2004-874)(not used on EDS models)
6	56016402	1	DECAL SOLUTION FLOW	(before TSBUS2004-874)
7	56016403	1	DECAL CIRCUIT BREAKER	
8	56016406	2	DECAL NILFISK BR600	NOTE 1
8	56016452	2	DECAL NILFISK BR650	NOTE 1
8	56016453	2	DECAL NILFISK BR700	NOTE 1
8	56016454	2	DECAL NILFISK BR800	NOTE 1
8	56016630	2	DECAL BR600S EDS	
8	56016631	2	DECAL BR700S EDS	
8	56016632	2	DECAL BR800S EDS	
8	56016671	2	DECAL NILFISK 600S	NOTE 2
8	56016672	2	DECAL NILFISK 650S	NOTE 2
8	56016673	2	DECAL NILFISK 700S	NOTE 2
8	56016674	2	DECAL NILFISK 800S	NOTE 2
9	56016421	1	DECAL LOGO	
10	56016667	1	DECAL LADDER DIAGRAM	NOTE 3
11	56014450	1	DECAL PATENT	
12	56016407	1	DECAL SMART SOLUTIONS	NOTE 1
12	56016455	1	DECAL ECO SOLUTION	NOTE 1
13	56314876	1	FLOOR MAT	(Nilfisk only after Sept. 2004)

NOTE 1: Used on machines built after serial number chart (ECO Solution & Smart Solution implemented).

NOTE 2: Used on machines built before serial number Chart A.

NOTE 3: Used on machines built before serial number Chart B.

NOTE 4: Used on machines built after serial number Chart B.

NOTE 1 & 2 SERIAL NUMBER CHART A

1752024 - BR 600S
1752041 - BR 700S
1752046 - BR 800S
1752052 - BR 600CS
1752054 - BR 700CS
1753522 - BR 800CS

NOTE 3 & 4 SERIAL NUMBER CHART B

1837616 - BR 600S
1837623 - BR 700S
1839156 - BR 800S
1837650 - BR 600SC
1837652 - BR 700SC
1839732 - BR 800SC

Detergent injection system (AXP/ECO+solutio

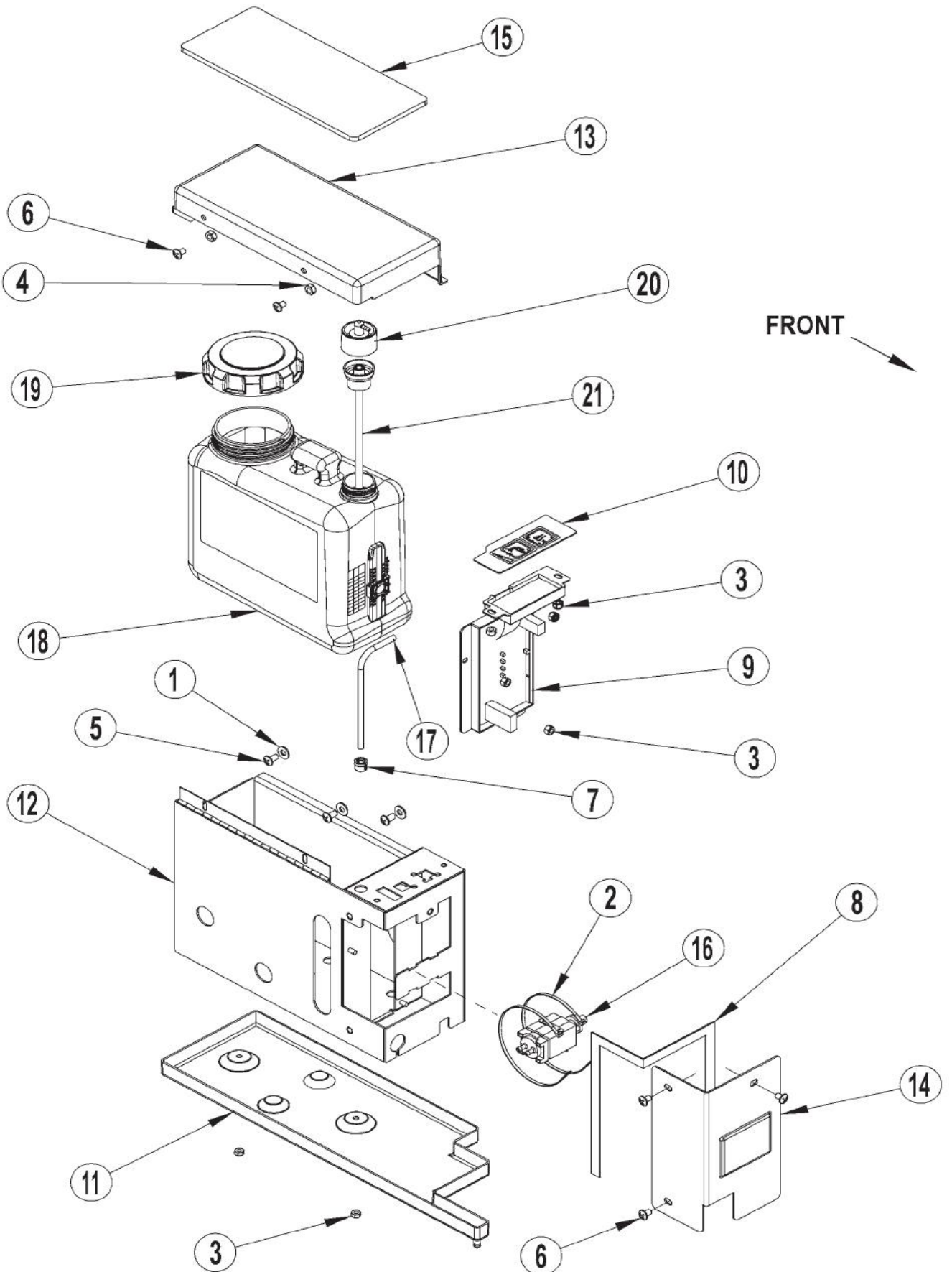
BR 600S/650S/700S/800S+C

23-04-2010

Part List ID

E13317

7



Detergent injection system (AXP/ECO+solutio

BR 600S/650S/700S/800S+C

23-04-2010

Part List ID E13317

8

Pos	Part no.	Qty	Description	EAN
0	56316537	1	DETERGENT INJECT ASSY <small>(items 1-21) TSBUS2006-922 - optional part</small>	
1	56009025	3	WSH FLT .266X.750X.036	
2	56478523	2	CABLE TIE E00549	
3	56002832	8	NUT HEX NYL LOC THIN 10 24	
4	56002840	2	NUT HEX NYL LOC THIN 1/4 20	
5	56002145	3	SCR PAN PHIL 1/4 20 X .50	
6	56003580	5	SCR PAN PHIL SS 1/4 20X.38	
7	56003699	1	BUSHING 1/4 ID SNUB	
9	56316110	1	CONTROL ASSEMBLY <small>TSBUS2006-922</small>	
10	56314937	1	CONTROL DECAL ADVENGER	
11	56314939	1	TRAY DETERGENT	
12	56314944	1	WELDMENT DETERGENT BOX	
13	56314945	1	COVER DETERGENT	
14	56314946	1	COVER PUMP	
15	56314953	1	PAD DETERGENT	
16	56314984	1	PUMP DETERGENT	
17	56314991	1	HOSE CHEM RESISTANT 14	
18	56315502	1	CHEMICAL BOTTLE ASSEMBLY	
18	56315503	1	CHEMICAL BOTTLE ASSEMBLY <small>18-21 - Optional part</small>	
18	56315511	1	INDICATOR ASSEMBLY	
19	56315517	1	CAP	
20	56315523	1	CAP DRY BREAK 1/8 BARB	
21	56315527	1	INSERT DRY BREAK	

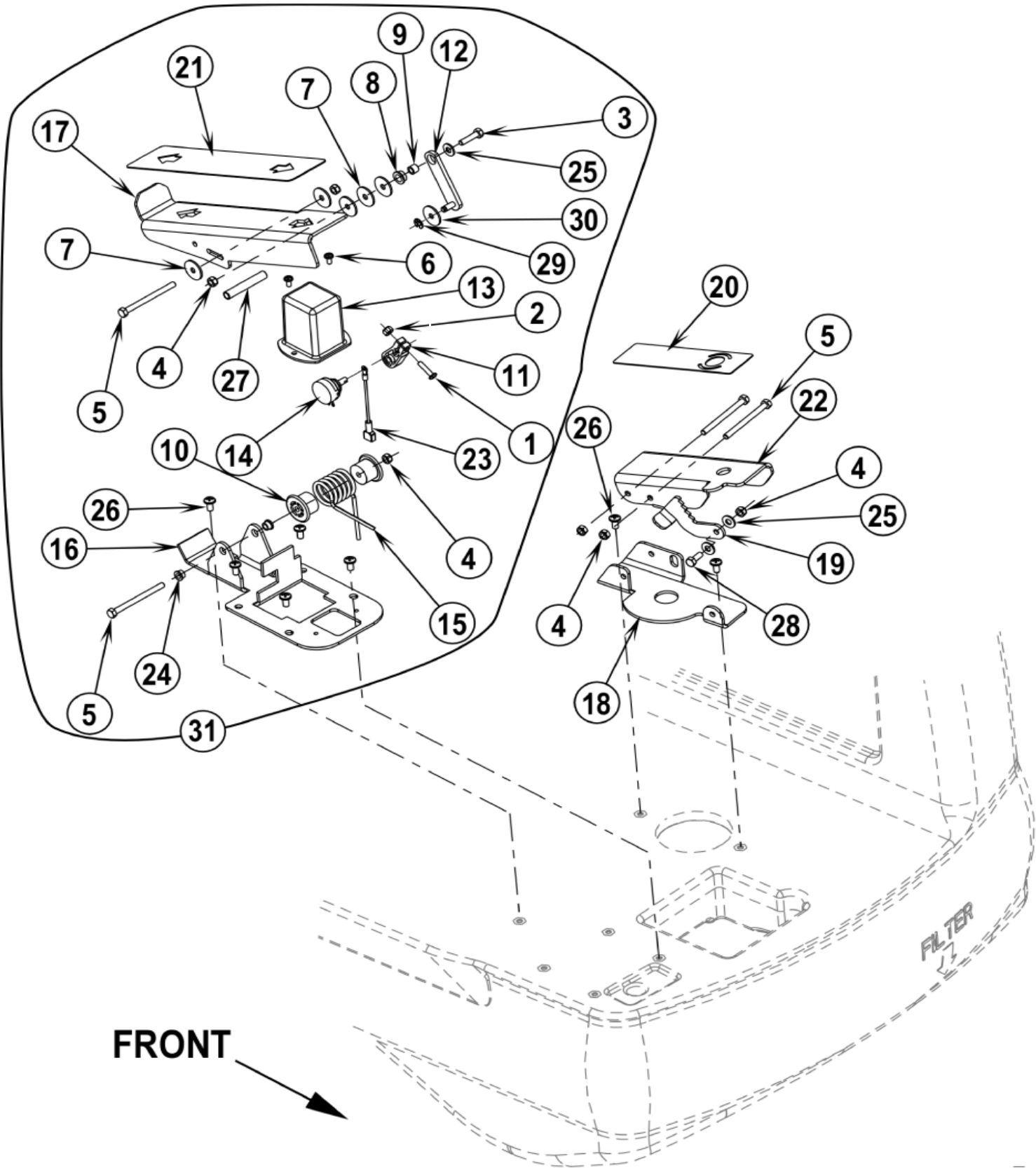
Drive & brake pedal assemblies

BR 600S/650S/700S/800S+C

23-04-2010

Part List ID
E13319

9



Drive & brake pedal assemblies

BR 600S/650S/700S/800S+C

23-04-2010

Part List ID E13319

10

Pos	Part no.	Qty	Description	EAN
1	56002733	1	002733N PHIL 10 24 X .88	
3	56003358	1	SCR HEX M6 X 25.0	
4	56003403	6	NUT HEX NYL LOC M6 X 1.00	
5	56003428	4	SCR HEX M6 1.00 X 75MM	
6	56009030	2	SCR PAN PHIL THD FOM 10 24X.38	
7	56009060	5	WSH FLT SS .260X1.000X.074	
8	56324505	1	BEARING FLANGE.376E00201	
9	56380440	1	BUSHING M6 X .375 X .295	
10	56380438	2	SPACER SPRING	
11	56409471	1	LEVER THROTTLE	
12	56409610	1	LINK WLDMT.	
13	56412094	1	HOUSING POTENTIOMETER	
14	56454740	1	POTENTIOMETER 5K (R1)	
15	56314037	1	SPRING TORSION	
16		1	NOTE COMMENT ONLY AVAILABLE AS ITEM 56413421	5701715456
17		1	NOTE COMMENT ONLY AVAILABLE AS ITEM 56413421	5701715456
18	56314676	1	BRAKE PEDAL ASSY	
18	56314677	1	BRACKET BRAKE (AFTER SN 2062591)	
19	56314122	1	LOCK BRAKE	
20	56314138	1	MAT PEDAL	
21	56314176	1	MAT PEDAL	
22	56314676	1	BRAKE PEDAL ASSY (BEFORE SN 2062591) NOTE 2	
22	56314678	1	PEDAL WELDMENT (AFTER SN 2062591)	
23	56412331	1	WIRE ASSY 14 AWG RED	
24	56756318	2	BEARING FLANGE .250 E00201	
25	56002098	4	WSH FLT SAE 1/4	
26	56003119	7	SCR PAN PHIL SS 1/4 20 X .50	
27	56380439	1	BUSHING	
28	56003174	1	SCR HEX THD/HD M6 1.0 X 16MM	
29	56003268	1	RING RET EXT TYPE E REINF	
30	56009025	1	WSH FLT .266X.750X.036	
31	56413421	1	PEDAL ASSEMBLY	

NOTE 1: If you need to replace either of these items please order Pedal Assembly 56413421.

NOTE 2: If you need to replace either of these items on machines before SN (2062591) please order Brake Pedal Assembly 56314676.

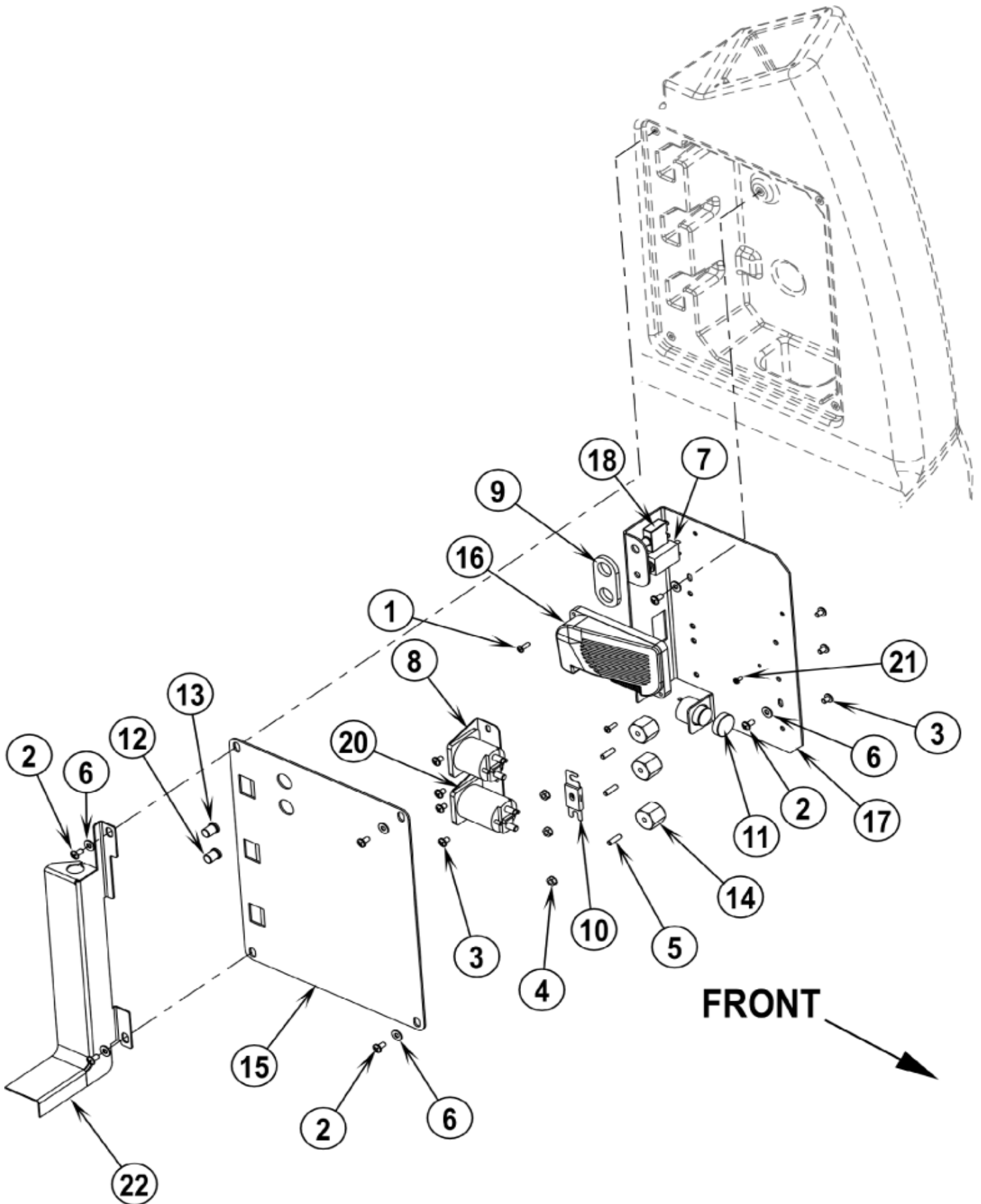
Electrical panel assembly

BR 600S/650S/700S/800S+C

23-04-2010

Part List ID
E133111

11



Electrical panel assembly

BR 600S/650S/700S/800S+C

23-04-2010

Part List ID
E133111

12

Pos	Part no.	Qty	Description	EAN
1	56002192	2	SCR PAN PHIL 10 24 X .75	
2	56003119	6	SCR PAN PHIL SS 1/4 20 X .50	
3	56002462	7	SCR PAN PHIL 1/4 20 X .38	
4	56002708	3	NUT HEX NYL LOC 1/4 20	
5	56009020	3	STUD 1/4 20 X .88	
6	56002098	6	WSH FLT SAE 1/4	
7	56387316	1	CIRCUIT BREAKER 10A	(Control Circuit / F3)
9	56407193	1	GASKET	
10	56412089	1	FUSE 150 AMP	(F1)
11	56412177	1	HORN BACKUP ALARM	(H1)
12	56459367	1	BOOT RESET BUTTON E00585	
13	56459369	1	BOOT RESET BUTTON E00586	
14	56469858	3	INSULATED STANDOFF	
15	56109533	1	COVER ELECTRICAL	
16	56314067	1	CONTROLLER SPEED	(A1)
17	56314068	1	PANEL ELECTRICAL	
18	56364294	1	CIRCUIT BREAKER 45A	(Wheel Dive / F2)
21	56009051	1	SCR PAN PHIL THD FORM 8 32X.38	
22	56314956	1	WELDMENT HARNESS GUIDE	(Detergent Injection models only)

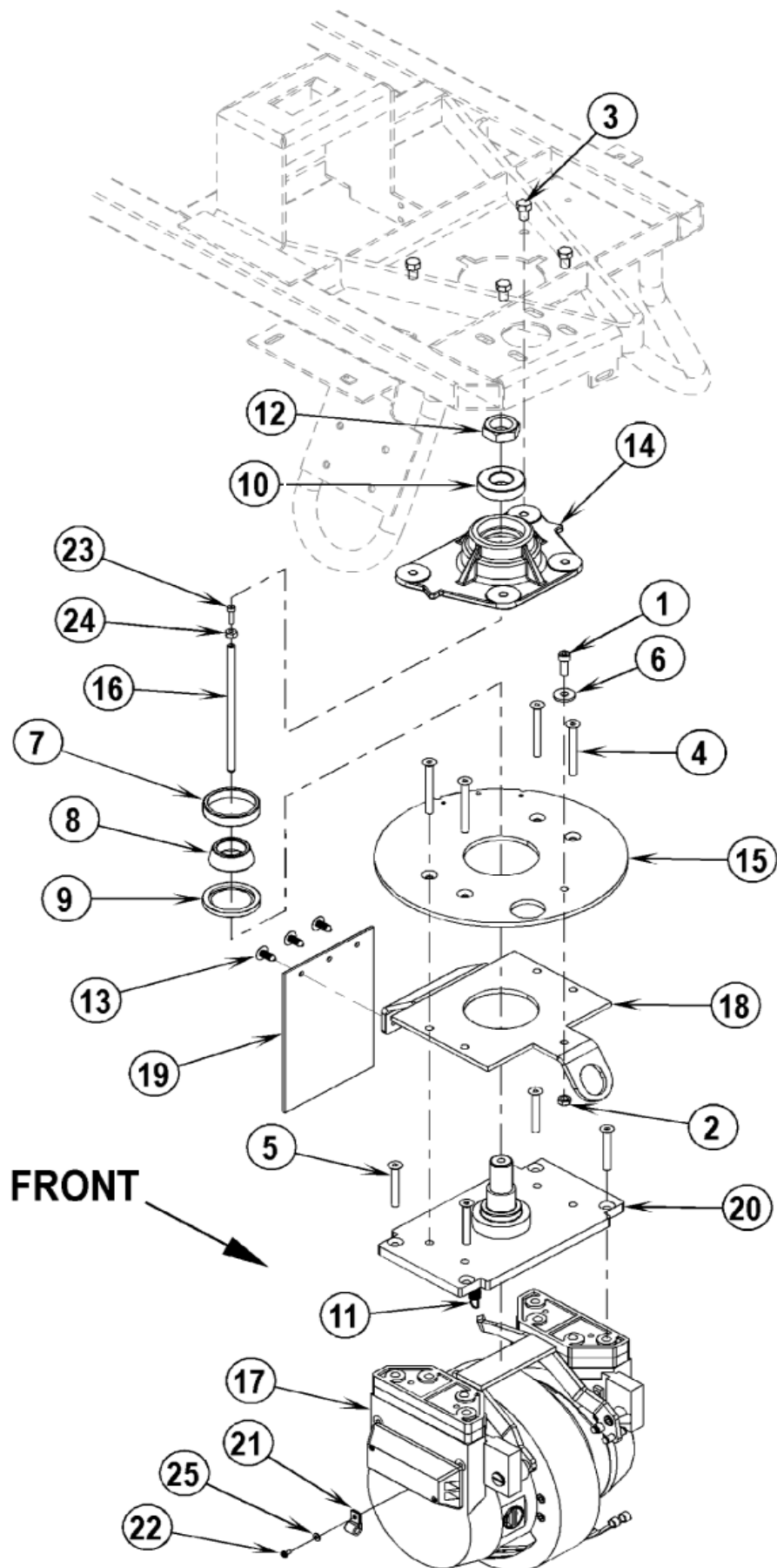
Front wheel assembly

BR 600S/650S/700S/800S+C

23-04-2010

Part List ID
E133113

13



Front wheel assembly

BR 600S/650S/700S/800S+C

23-04-2010

Part List ID
E133113

14

Pos	Part no.	Qty	Description	EAN
1	56002158	1	SCR SOC HD 5/16 18 X .88	
2	56002826	1	NUT HEX NYL LOC THIN 5/16 18	
3	56003040	4	SCR HEX LOC 3/8 16 X .62	
4	56003273	4	SCR FLAT SOC M8 1.25 X 70MM	
5	56003274	4	SCR FLAT SOC M8 1.25 X 55MM	
6	56009122	1	WSH FLT .344X.938X.125	
7	56158143	1	BEARING TR CP 2.44 E00135	
8	56158151	1	BEARING TR CN 1.250V51Y E00134	
9	56171081	1	SEAL SHAFT 1.750 PE202S 1	
10	56378380	1	BEARING BALL .9843 CR25D	
11	56481699	1	SPRING	
12	56003220	1	NUT HEX NYL THIN 1 14 UNF	
13	56003263	3	RIVET NYLON TREE PUSH IN.25	
14	56314032	1	BLOCK BEARING	
15	56314116	1	PLATE STEERING	
16	56314157	1	ROD BRAKE	
17	56314268	1	MOTOR/DRIVE WHEEL ASSY	(M3) TSBUS2004-869 - TSBUS2008-1004
17	56314269	1	DRIVE WHEEL W/MOUNTING SCREWS	Not shown (P7 Scrubber Compound)
17	56314282	1	BRAKE BAR WELDMENT	Not shown
17	56314289	1	BRAKE BAND	Not shown
17	56314291	1	BAR	Not shown
17	56314920	1	KIT DRIVE WHEEL HARNESS	Not shown - TSBUS2004-869
17	56412320	1	BRUSH COVER KIT X4	Not shown
17	56412321	1	SEALING RING	Not shown
17	56412322	1	BALL BEARING GEARBOX SIDE	Not shown
17	56412323	1	BALL BEARING BRUSH SIDE	Not shown
17	56412325	1	BRUSH KIT	Not shown
17	56412339	1	DRIVE WHEEL W/BOLTS	Not shown - Optional - (Polyurethane)
18	56314278	1	PLATE SPLASH GUARD	
19	56314283	1	SPLASH GUARD	
20	56314085	1	WELDMENT SPINDLE	TSBUS2005-913
21	56305317	1	CLAMP P	
22	56003653	1	SCR PAN PHIL M4 0.7 X 8MM	
23	56003659	1	SCR BUTTON SOC SS 10 24X.75	
24	56009293	1	NUT HEX MACHINE SS 10 24	
25	56002006	1	WSH FLT SAE 6	

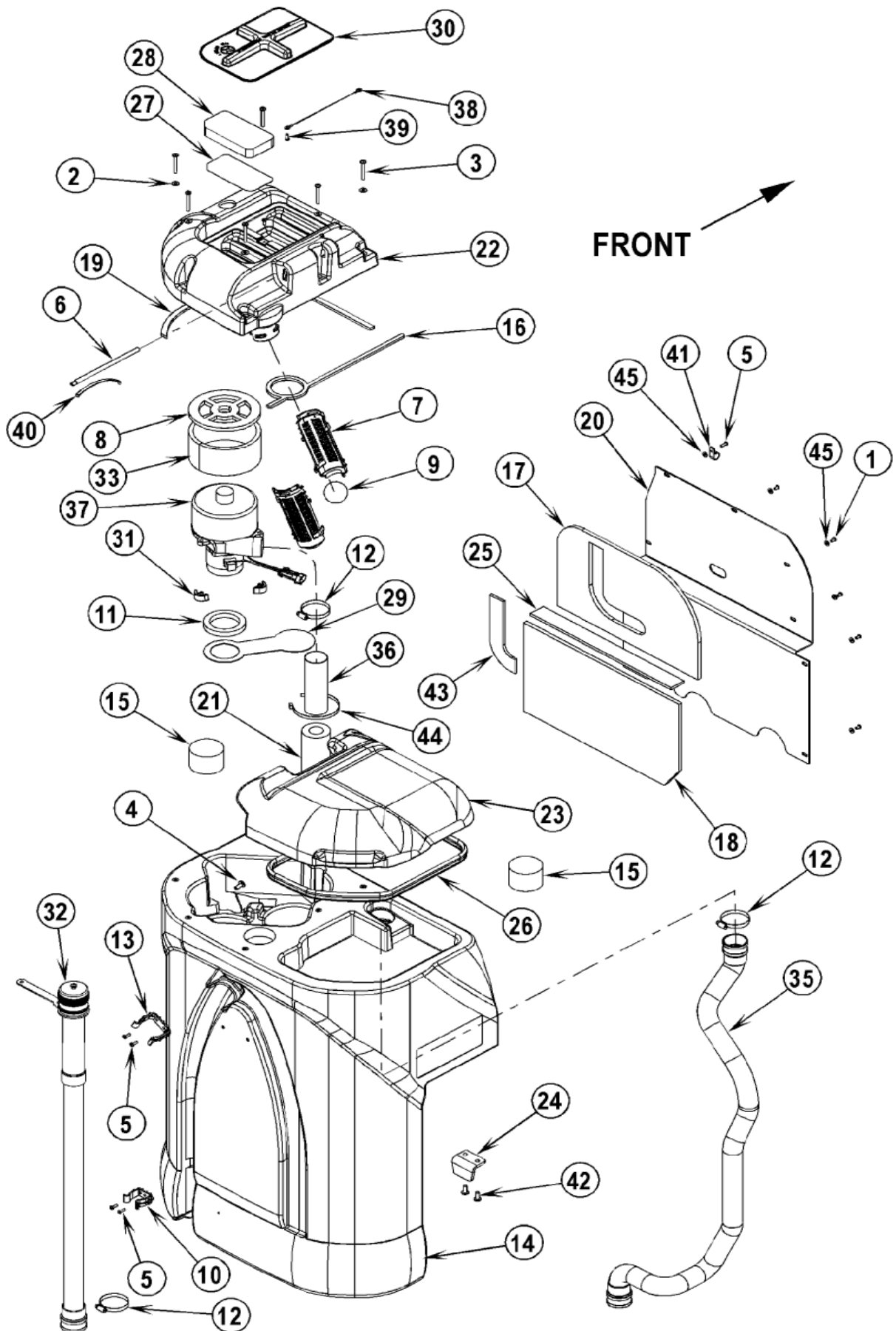
Recovery system

BR 600S/650S/700S/800S+C

23-04-2010

Part List ID
E133115

15



Recovery system

BR 600S/650S/700S/800S+C

23-04-2010

Part List ID

E133115

16

Pos	Part no.	Qty	Description	EAN
1	56002043	8	SCR PAN PHIL 10 24 X .38	
2	56002098	7	WSH FLT SAE 1/4	
3	56002108	6	SCR PAN PHIL 1/4 20 X 2.00	
4	56002793	1	SCR PAN PHIL 5/16 18 X .75	
5	56002896	5	SCR PAN PHIL SS 10 24 X .62	
6	56314115	1	PIN COVER PIVOT	
7	56324497	2	FLOAT CAGE	
8	56314704	1	GASKET	
9	56391690	1	BALL FLOAT	
10	56407361	1	CLAMP PLASTIC	
11	56314760	1	GASKET VACUUM DUCT	
12	56440213	3	CLAMP HOSE SAE 32E00047	
13	56212236	1	CLAMP PLASTIC	
14	56314036	1	TANK RECOVERY	
15	56314098	2	FOAM CYLINDER	
16	56314099	1	GASKET	
17	56314100	1	MUFFLER TOP PANEL	
18	56314101	1	MUFFLER BOTTOM PANEL	
19	56314103	1	GASKET	
20	56314749	1	COVER EXHAUST	NOTE 1
21	56391807	1	FOAM ACCOUSTICAL	NOTE 2
22	56314201	1	COVER VAC MOTOR	
23	56314203	1	LID RECOVERY TANK	
24	56314220	2	BRACKET TANK MOUNT	
25	56314706	1	FOAM SOUND	NOTE 2
26	56314371	1	GASKET	
27	56314372	1	SCREEN FILTER	
28	56314373	1	FILTER	
29	56314376	1	PLATE SEPARATOR	
30	56109539	1	LID VAC FILTER ASSY	
31	56314484	3	MOUNT VIBRATION	
32	56601404	1	DRAIN HOSE	TSB US2008-985
32	56601410	1	DRAIN HOSE EXTENSION	5711143106
32	56601411	1	DRAIN HOSE CAP KIT	
33	56314488	1	MUFFLER VAC	
35	56314533	1	VAC HOSE ASSY. 1.50	
36	56458457	1	HOSE 2 X 6 E00191	NOTE 2

NOTE 1: 56314749 replaces previous parts 56314199 and 56314200 after serial number chart.

NOTE 2: Used on machines built after serial number chart.

NOTE 1 & 2 SERIAL NUMBER CHART

1752024 - BR 600S
1752041 - BR 700S
1752046 - BR 800S
1752052 - BR 600SC
1752054 - BR 700SC
1753522 - BR 800SC

Recovery system

BR 600S/650S/700S/800S+C

23-04-2010

Part List ID E133115

17

Pos	Part no.	Qty	Description	EAN
37	56212223	1	CARBON BRUSH SET	
37	56410065	1	VAC MOTOR ASSY	M5
38	56314400	1	WIRE ROPE 9 INCH	
39	56009191	2	SCR PAN PHIL PLASTITE10 14X.50	
40	56314509	1	SPRING	
41	56385564	1	CLAMP CABLE .625 E00129	
42	56002507	4	SCR PAN PHIL 1/4 20 X .75	
43	56314705	1	FOAM SOUND	NOTE 2
44	56314251	1	HARNESS VACUUM	
44	56477613	1	CABLE TIE E00549 RE409S	NOTE 2
45	56001954	1	WSH FLT SAE 10	

NOTE 1: 56314749 replaces previous parts 56314199 and 56314200 after serial number chart.

NOTE 2: Used on machines built after serial number chart.

NOTE 1 & 2 SERIAL NUMBER CHART

1752024 - BR 600S

1752041 - BR 700S

1752046 - BR 800S

1752052 - BR 600SC

1752054 - BR 700SC

1753522 - BR 800SC

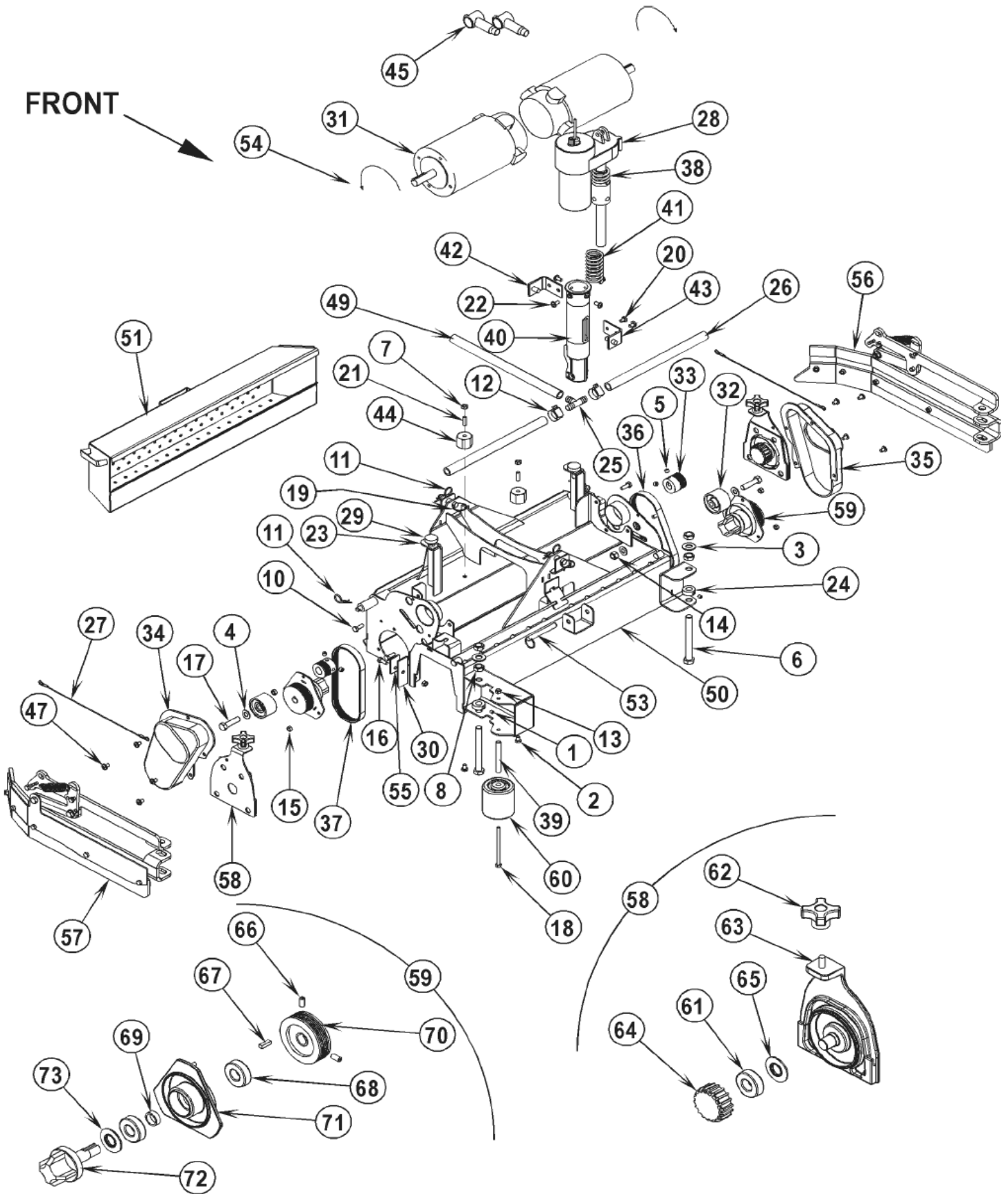
Scrub system-cylindrical

BR 600S/650S/700S/800S+C

23-04-2010

Part List ID
E133117

18



Scrub system-cylindrical

BR 600S/650S/700S/800S+C

23-04-2010

Part List ID
E133117

19

Pos	Part no.	Qty	Description	EAN
1	56001841	2	SCR SOC SET LOC 1/4 20 X .25	
2	56001861	2	SCR HEX 1/4 20 X .38	
3	56001879	2	WSH FLT SAE 1/2	
4	56002063	4	WSH FLT SAE 3/8	
5	56002086	4	SCR SOC SET LOC 5/16 18 X .25	
6	56002484	2	SCR HEX 1/2 13 X 4.50	
7	56002708	2	NUT HEX NYL LOC 1/4 20	
8	56002843	4	NUT HEX NYL LOC THIN 1/2 13	
9	56314310	1	COUPLING QUICK DISC. MALE (only before TSBUS2005-888)	
10	56002948	6	SCR HEX LOC 1/4 20 X .75	
11	56002959	4	PIN COT HAIR SS.090XDIA.50/.75	
12	56112771	2	CLAMP HOSE SAE 10 E00047	
13	56003403	1	NUT HEX NYL LOC M6 X 1.00	
14	56003406	2	NUT HEX NYL LOC M10 X 1.50	
15	56003426	8	NUT HEX NYL LOC SS M6	
16	56003431	2	SCR HEX SS M6 1.00X16MM	
17	56003491	2	SCR HEX M10 1.50X 40MM	
18	56003492	1	SCR HEX M6 1.0 X 95MM	
19	56003671	2	PIN, RING .50 X 1.25	
20	56009019	2	SCR HEX THD FORM 1/4 20X .38	
21	56009020	2	STUD 1/4 20 X .88	
22	56009126	4	SCR PANPHILTHD FORM 1/4 20X.75	
23	56009086	4	NUT HEX JAM 5/16 18	
24	56152811	2	COLLAR PC9A	
25	56262549	1	TEE E00455	
26	56316552	2	MANIFOLD PVC 32 ADV ENGER	BR 800S
26	56316553	2	MANIFOLD PVC 28 ADV ENGER	BR 700S
26	56316554	2	MANIFOLD PVC 26 ADV ENGER	BR 650S
26	56316555	2	MANIFOLD PVC 24 ADV ENGER	BR 600S
27	56330391	2	WIRE ROPE ASSY 12.0	
28	56388520	1	NUT PLASTIC	Not shown
28	56393303	1	ACTUATOR	(M1)
29	56401783	2	LEVELER TANK CR630G	
30	56407391	2	BLADE DECK GUM	
31	56407431	2	MOTOR 36VDC .75HP	(M7 / M8) TSBUS2004-868
31	56407492	1	BRUSH CAP ASSY	Not shown
31	56407493	4	BRUSH ASSY SOLD INDIVIDUALLY	Not shown
31	56407494	4	BRUSH COVER CAP	Not shown
31	56410183	1	BEARING F.E.	Not shown
32	56407432	2	IDLER BELT	
33	56407433	2	SHEAVE POLY V	

NOTE: See: BRUSH SELECTOR GUIDE - at back of manual for available scrub brushes.

NOTE 2: See: SKIRT ASSEMBLIES-CYLINDRICAL.

Scrub system-cylindrical

BR 600S/650S/700S/800S+C

23-04-2010

Part List ID
E133117

20

Pos	Part no.	Qty	Description	EAN
34	56407434	1	GUARD RIGHT BELT	
35	56407435	1	GUARD LEFT BELT	
36	56407465	1	BELT POLY V 180J6	
37	56407466	1	BELT POLY V 190J6	
38	56412071	1	COMPRESSION SPRING	
39	56412176	1	BUSHING	
40	56412262	1	HOUSING SPRING	
41	56420018	1	SPRING COMPRESSION	
42	56420019	1	NUT RETAINER WLMT.	
43	56420020	1	NUT RETAINER WLMT.	
44	56469858	2	INSULATED STANDOFF	
45	56493357	2	INSULATOR TERMINAL	
47	56003603	8	SCR PAN PHILTHDFORM 1/4 20X.38	
49	56409462	1	HOSE .50 X 12.0 E00604	
50	56316568	1	HOUSING WELDMENT 24	BR 600S - TSBUS2003-854 / TSBUS2005-899
50	56316569	1	HOUSING WELDMENT 26	BR 650S - TSBUS2003-854 / TSBUS2005-899
50	56316570	1	HOUSING WELDMENT 28	BR 700S - TSBUS2003-854 / TSBUS2005-899
50	56316571	1	HOUSING WELDMENT 32	BR 800S - TSBUS2003-854 / TSBUS2005-899
51	56314226	1	HOPPER WELDMENT 24	BR 600S
51	56314232	1	HOPPER WELDMENT 26	BR 650S
51	56397442	1	HOPPER WELDT 28	BR 700S
51	56397443	1	HOPPER WELDT 32	BR 800S
52	56314254	1	HARNESS BRUSH MOTOR	(Not Shown)
53	56314294	1	PIN COTTERLESS .375 X 3.00	
55	56314436	2	STRAP	
56	56314443	1	LEFT SKIRT ASSEMBLY	
57	56314444	1	RIGHT SKIRT ASSEMBLY	
58	56314445	2	IDLER END ASSEMBLY	(Item 61-65)
59	56407559	2	DRIVE END ASSY	(Item 66-73)
60	56412459	1	WHEEL	
61	56106070	1	BEARING BALL Z22	
62	56407303	1	KNOB	
63	56315447	1	IDLER BEARING PLATE	
64	56407551	1	HUB	
65	56407558	1	WASHER BEARING	
66	56002119	2	SCR SOC SET LOC 1/4 20 X .50	
67	56003237	1	KEY SQ .19 X .62	
68	56106070	2	BEARING BALL Z22	
69	56407389	1	SPACER	
70	56407442	1	SHEAVE POLY V	
71	56315405	1	BEARING PLATE	

NOTE: See: BRUSH SELECTOR GUIDE - at back of manual for available scrub brushes.

NOTE 2: See: SKIRT ASSEMBLIES-CYLINDRICAL.

Scrub system-cylindrical

BR 600S/650S/700S/800S+C

23-04-2010

Part List ID E133117

21

Pos	Part no.	Qty	Description	EAN
72	56109527	1	SPINDLE	
73	56407558	1	WASHER BEARING	

NOTE: See: BRUSH SELECTOR GUIDE - at back of manual for available scrub brushes.

NOTE 2: See: SKIRT ASSEMBLIES-CYLINDRICAL.

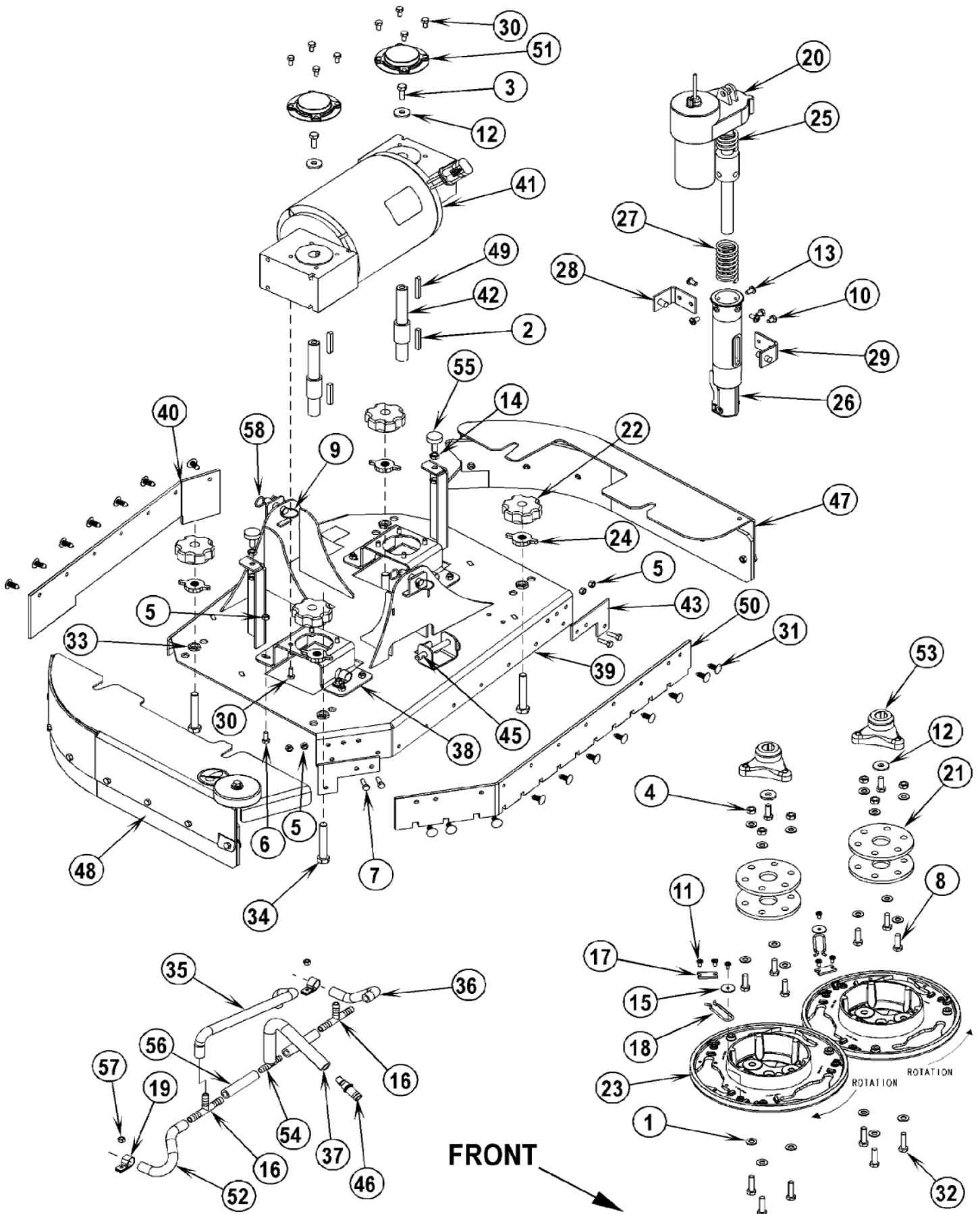
Scrub system-disk 24", 26", 28"

BR 600S/650S/700S/800S+C

23-04-2010

Part List ID
E133119

22



Scrub system-disk 24", 26", 28"

BR 600S/650S/700S/800S+C

23-04-2010

Part List ID
E133119

23

Pos	Part no.	Qty	Description	EAN
1	56002938	18	WSH FLT SAE SS 5/16	
2	56003246	2	KEY SQ .25 X 1.62	
3	56003335	4	SCR HEX LOC SS 5/16 18 X .88	
4	56003405	6	NUT HEX NYL LOC SS M8X1.25	
5	56003426	12	NUT HEX NYL LOC SS M6	
6	56003431	8	SCR HEX SS M6 1.00X16MM	
7	56003443	4	PHIL PAN M6 1.00X20MM	26" and 28" / BR 650S and BR 700S only
8	56003477	6	SCR HX NYLOC SS M8 1.25 X 25MM	
9	56003671	2	PIN, RING .50 X 1.25	
A	56314124	1	KIT GUM RUBBER 24 DISC	NOTE 2
A	56314170	1	KIT NEOPRENE 24 DISC	NOTE 2
A	56314395	1	KIT LINATEX 24 DISC	NOTE 2
A	56315723	1	BLADE KIT DISC RED GUM SD	NOTE 3
A	56315724	1	BLADE KIT DISC GUM SIDE	NOTE 3
B	56314125	1	KIT GUM RUBBER 26 DISC	NOTE 2
B	56314171	1	KIT NEOPRENE 26 DISC	NOTE 2
B	56314396	1	KIT LINATEX 26 DISC	NOTE 2
B	56315723	1	BLADE KIT DISC RED GUM SD	NOTE 3
B	56315724	1	BLADE KIT DISC GUM SIDE	NOTE 3
C	56314126	1	KIT GUM RUBBER 28 DISC	NOTE 2
C	56314172	1	KIT NEOPRENE 28 DISC	NOTE 2
C	56314397	1	KIT LINATEX 28 DISC	NOTE 2
C	56315723	1	BLADE KIT DISC RED GUM SD	NOTE 3
C	56315724	1	BLADE KIT DISC GUM SIDE	NOTE 3
D	56314911	1	BLADE KIT DISC GUM 24	NOTE 2
D	56314915	1	BLADE KIT DISC RED GUM 24	NOTE 2
D	56315721	1	BLADE KIT DISC RED GUM SD	NOTE 3
D	56315722	1	BLADE KIT DISC GUM SIDE	NOTE 3
E	56314912	1	BLADE KIT DISC GUM 26	NOTE 2
E	56314916	1	BLADE KIT DISC RED GUM 26	NOTE 2
E	56315721	1	BLADE KIT DISC RED GUM SD	NOTE 3
E	56315722	1	BLADE KIT DISC GUM SIDE	NOTE 3
F	56314913	1	BLADE KIT DISC GUM 28	NOTE 2

NOTE: See BRUSH SELECTOR GUIDE at back of manual for available scrub brushes.

NOTE 2: Disk Deck Blade Kits include the mounting fasteners (Rivet, Nylon Tree Push-In 56003263 item 31), the two blades (items 40 & 50) and two blades for use in Skirt Assemblies (items 47 & 48).

NOTE 3: These Disk Deck Blade Kits include just the blades for use in the two Skirt Assemblies.

NOTE 4: See "SKIRT ASSEMBLIES-DISK (before TSBUS2004-884)".

NOTE 5: See "SKIRT ASSEMBLIES-DISK (after TSBUS2004-884)".

NOTE: Pos. No. 40 and 50 see below all with NOTE 2:

24" Disk Deck Blade Kits (before TSBUS2004-884) - Pos. No. A

26" Disk Deck Blade Kits (before TSBUS2004-884) - Pos. No. B

28" Disk Deck Blade Kits (before TSBUS2004-884) - Pos. No. C

24" Disk Deck Blade Kits (after TSBUS2004-884) - Pos. No. D

26" Disk Deck Blade Kits (after TSBUS2004-884) - Pos. No. E

28" Disk Deck Blade Kits (after TSBUS2004-884) - Pos. No. F

Scrub system-disk 24", 26", 28"

BR 600S/650S/700S/800S+C

23-04-2010

Part List ID
E133119

24

Pos	Part no.	Qty	Description	EAN
F	56314917	1	KIT LINA TEK 28 DISK	NOTE 2
F	56315721	1	BLADE KIT DISC RED GUM SD	NOTE 3
F	56315722	1	BLADE KIT DISC GUM SIDE	NOTE 3
10	56009019	2	SCR HEX THD FORM 1/4 20X .38	
11	56009030	6	SCR PAN PHIL THD FOM 10 24X.38	
12	56009057	4	WSH FLT HDN .344X1.0X.120/.13	
13	56009126	4	SCR PANPHILTHD FORM 1/4 20X.75	
14	56009086	4	NUT HEX JAM 5/16 18	
15	56009096	2	WSH FLT .193X.875X.060	
16	56249280	2	TEE BARB 3/8X3/8 E00455	
17	56366455	2	PLATE CV24B	
18	56366463	2	SPRING RETAINER CV24C	
19	56385564	2	CLAMP CABLE .625 E00129	
20	56393303	1	ACTUATOR	
21	56407053	4	THERMOID DISC	
22	56407114	4	KNOB	TSBUS2007-963
23	56314030	2	BRUSH HOLDER	
24	56407334	4	KNOB	
25	56412071	1	COMPRESSION SPRING	
26	56412262	1	HOUSING SPRING	
27	56420018	1	SPRING COMPRESSION	
28	56420019	1	NUT RETAINER WLMT.	
29	56420020	1	NUT RETAINER WLMT.	
30	56003211	16	SCR HEX HD SS M6 1.0 X 12MM	
31	56003263	18	RIVET NYLON TREE PUSH IN.25	
32	56003639	6	SCR HEX SS M8 1.25 X 30MM	
33	56003657	4	NUT HEX JAM M12 1.75	
34	56003658	4	SCR THD TO HD SS M12 1.75X70MM	
35	56412189	1	HOSE SPIRAL 3/8 E00603	
36	56249682	1	TUBE E00603	
37	56262180	1	HOSE SPIRAL .50 X 7 E00604	
38	56314053	2	BRACKET MOTOR	
39	56314081	1	WELDMENT DISC DECK	24", 26", 28" / BR 600S, BR 650S, BR 700S

NOTE: See BRUSH SELECTOR GUIDE at back of manual for available scrub brushes.

NOTE 2: Disk Deck Blade Kits include the mounting fasteners (Rivet, Nylon Tree Push-In 56003263 item 31), the two blades (items 40 & 50) and two blades for use in Skirt Assemblies (items 47 & 48).

NOTE 3: These Disk Deck Blade Kits include just the blades for use in the two Skirt Assemblies.

NOTE 4: See "SKIRT ASSEMBLIES-DISK (before TSBUS2004-884)".

NOTE 5: See "SKIRT ASSEMBLIES-DISK (after TSBUS2004-884)".

NOTE: Pos. No. 40 and 50 see below all with NOTE 2:

24" Disk Deck Blade Kits (before TSBUS2004-884) - Pos. No. A

26" Disk Deck Blade Kits (before TSBUS2004-884) - Pos. No. B

28" Disk Deck Blade Kits (before TSBUS2004-884) - Pos. No. C

24" Disk Deck Blade Kits (after TSBUS2004-884) - Pos. No. D

26" Disk Deck Blade Kits (after TSBUS2004-884) - Pos. No. E

28" Disk Deck Blade Kits (after TSBUS2004-884) - Pos. No. F

Scrub system-disk 24", 26", 28"

BR 600S/650S/700S/800S+C

23-04-2010

Part List ID
E133119

25

Pos	Part no.	Qty	Description		EAN
40		1	NOTE COMMENT	See Disk Deck Blade Kits Pos. A-B-C-D-E-F	5701715456
41	56314139	1	MOTOR GEARBOX ASSY 24	(24" / BR 600S / M7)	
41	56314140	1	MOTOR GEARBOX ASSY 26	(26" / BR 650S / M7)	
41	56314141	1	MOTOR GEARBOX ASSY 28	(28" / BR 700S / M7)	
41	56314359	2	KEY 6MM SQUARE	Not shown	
41	56314499	2	COVER GEARBOX	Not shown	
41	56314560	2	MOTOVARIO GEARBOX	Not shown	
41	56314580	1	BALL BEARING OUTPUT SIDE	Not shown	
41	56314583	4	BRUSH	Not shown	
41	56412323	1	BALL BEARING BRUSH SIDE	Not shown	
42	56314218	2	SHAFT HUB MOUNT		
43	56314261	2	SKIRT BRACKET FORWARD	26" and 28" / BR 650S, BR 700S only	
45	56314294	1	PIN COTTERLESS .375 X 3.00		
46	56314310	1	COUPLING QUICK DISC. MALE	(only before TSBUS2005.888)	
47	56314885	1	SKIRT ASSEMBLY LEFT	(24", 26", 28" / BR 600S, BR 650S, BR 700S / befor	
47	56314885	1	SKIRT ASSEMBLY LEFT	(24", 26", 28" / BR 600S, BR 650S, BR 700S / after	
48	56314850	1	BLADE NEOPRENE D	(All Models / before TSBUS2004-884)	
48	56314884	1	SKIRT ASSEMBLY RIGHT	(All Models / after TSBUS2004-884)	
49	56314359	2	KEY 6MM SQUARE	NOTE 4	
50		1	NOTE COMMENT	See Disk Deck Blade Kits Pos. A-B-C-D-E-F	5701715456
51	56314499	2	COVER GEARBOX	NOTE 4	
52	56392277	1	TUBE VINYL E00603		
53	56314108	2	HUB DRIVE		
54	56397300	1	TEE BARB		
55	56401783	2	LEVELER TANK CR630G		
56	56412187	2	SOLUTION TUBE E00603		
58	56002959	2	PIN COT HAIR SS.090XDIA.50/.75		

NOTE: See BRUSH SELECTOR GUIDE at back of manual for available scrub brushes.

NOTE 2: Disk Deck Blade Kits include the mounting fasteners (Rivet, Nylon Tree Push-In 56003263 item 31), the two blades (items 40 & 50) and two blades for use in Skirt Assemblies (items 47 & 48).

NOTE 3: These Disk Deck Blade Kits include just the blades for use in the two Skirt Assemblies.

NOTE 4: See "SKIRT ASSEMBLIES-DISK (before TSBUS2004-884)".

NOTE 5: See "SKIRT ASSEMBLIES-DISK (after TSBUS2004-884)".

NOTE: Pos. No. 40 and 50 see below all with NOTE 2:

24" Disk Deck Blade Kits (before TSBUS2004-884) - Pos. No. A

26" Disk Deck Blade Kits (before TSBUS2004-884) - Pos. No. B

28" Disk Deck Blade Kits (before TSBUS2004-884) - Pos. No. C

24" Disk Deck Blade Kits (after TSBUS2004-884) - Pos. No. D

26" Disk Deck Blade Kits (after TSBUS2004-884) - Pos. No. E

28" Disk Deck Blade Kits (after TSBUS2004-884) - Pos. No. F

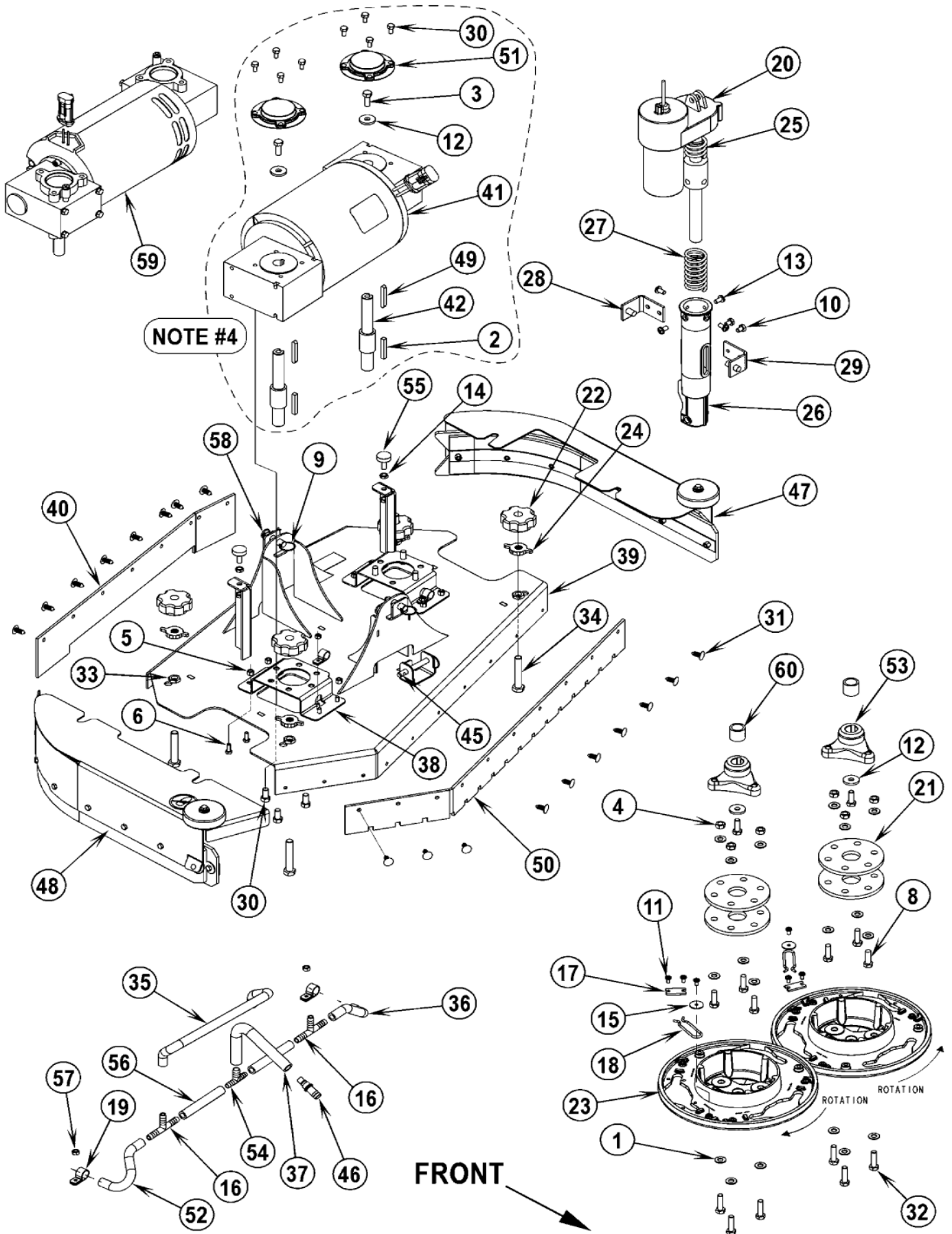
Scrub system-disk 32"

BR 600S/650S/700S/800S+C

23-04-2010

Part List ID
E133121

26



Scrub system-disk 32"

BR 600S/650S/700S/800S+C

23-04-2010

Part List ID E133121

27

Pos	Part no.	Qty	Description	EAN
1	56002938	18	WSH FLT SAE SS 5/16	
2	56003246	2	KEY SQ .25 X 1.62	NOTE 4
3	56003335	4	SCR HEX LOC SS 5/16 18 X .88	(qty of 2 after NOTE 3)
4	56003405	6	NUT HEX NYL LOC SS M8X1.25	
5	56003426	8	NUT HEX NYL LOC SS M6	
6	56003431	8	SCR HEX SS M6 1.00X16MM	
8	56003477	6	SCR HX NYLOC SS M8 1.25 X 25MM	
9	56003671	2	PIN, RING .50 X 1.25	
A	56314127	1	KIT GUM RUBBER 32 DISC	NOTE 2 - optional
A	56314173	1	KIT NEOPRENE 32 DISC	NOTE 2 - optional
A	56314398	1	KIT LINATEX 32 DISC	NOTE 2 - optional
A	56315723	1	BLADE KIT DISC RED GUM SD	NOTE 5 - optional
A	56315724	1	BLADE KIT DISC GUM SIDE	NOTE 5 - optional
B	56314914	1	BLADE KIT DISC GUM 32	NOTE 2 - optional
B	56314918	1	KIT LINATEX 32 DISK	NOTE 2 - optional
B	56315721	1	BLADE KIT DISC RED GUM SD	NOTE 3 - optional
B	56315722	1	BLADE KIT DISC GUM SIDE	NOTE 3 - optional
10	56009019	2	SCR HEX THD FORM 1/4 20X .38	
11	56009030	6	SCR PAN PHIL THD FOM 10 24X.38	
12	56009057	4	WSH FLT HDN .344X1.0X.120/.13	(qty of 2 after NOTE 3)
13	56009126	4	SCR PANPHILTHD FORM 1/4 20X.75	
14	56009086	4	NUT HEX JAM 5/16 18	
15	56009096	2	WSH FLT .193X.875X.060	
16	56249280	2	TEE BARB 3/8X3/8 E00455	
17	56366455	2	PLATE CV24B	
18	56366463	2	SPRING RETAINER CV24C	
19	56385564	2	CLAMP CABLE .625 E00129	
20	56388520	1	NUT PLASTIC	Not shown
20	56393303	1	ACTUATOR	(M1)
21	56407053	4	THERMOID DISC	
22	56407114	4	KNOB	TSBUS2007-963
23	56314030	2	BRUSH HOLDER	
24	56407334	4	KNOB	
25	56412071	1	COMPRESSION SPRING	
26	56412262	1	HOUSING SPRING	

NOTE: See "BRUSH SELECTOR GUIDE" at back of manual for available scrub brushes.

NOTE 2: Disk Deck Blade Kits include the mounting fasteners (Rivet, Nylon Tree Push-In 56003263 item 31), the two blades (items 40 & 50) and two blades for use in Skirt Assemblies (items 47 & 48).

NOTE 3: Only used after serial number 1931775.

NOTE 4: Only used before serial number 1931776.

NOTE 5: These Disk Deck Blade Kits include just the blades for use in the two Skirt Assemblies.

NOTE 6: See "SKIRT ASSEMBLIES-DISK (before TSBUS2004-884)".

POS. A: 32" / BR 800S Disk Deck Blade Kits (before TSBUS2004-884)

POS. B: 32" / BR 800S Disk Deck Blade Kits (after TSBUS2004-884)

NOTE 7: See "SKIRT ASSEMBLIES-DISK (after TSBUS2004-884)".

Scrub system-disk 32"

BR 600S/650S/700S/800S+C

23-04-2010

Part List ID
E133121

28

Pos	Part no.	Qty	Description		EAN
27	56420018	1	SPRING COMPRESSION		
28	56420019	1	NUT RETAINER WLMT.		
29	56420020	1	NUT RETAINER WLMT.		
30	56002885	6	SCR HEX SS 3/8 16 X .75	NOTE 3	
30	56003211	16	SCR HEX HD SS M6 1.0 X 12MM	NOTE 4	
31	56003263	18	RIVET NYLON TREE PUSH IN.25		
32	56003639	6	SCR HEX SS M8 1.25 X 30MM		
33	56003657	4	NUT HEX JAM M12 1.75		
34	56003658	4	SCR THD TO HD SS M12 1.75X70MM		
35	56412189	1	HOSE SPIRAL 3/8 E00603		
36	56249682	1	TUBE E00603		
37	56262180	1	HOSE SPIRAL .50 X 7 E00604		
38	56314053	2	BRACKET MOTOR	NOTE 4	
39	56314090	1	WELDMENT DISC DECK 32	(32" / BR 800S) see disk deck blade kits below	
40		1	NOTE COMMENT	See Disk Deck Blade Kits Pos. A-B	5701715456
41	56314335	1	MOTOR GEARBOX ASSY 32	(32" / BR 800S / M7) NOTE 4	
41	56314359	2	KEY 6MM SQUARE	Not shown	
41	56314499	2	COVER GEARBOX	Not shown	
41	56314560	2	MOTOVARIO GEARBOX	Not shown	
41	56314580	1	BALL BEARING OUTPUT SIDE	Not shown	
41	56314583	4	BRUSH	Not shown	
41	56412323	1	BALL BEARING BRUSH SIDE	Not shown	
42	56314218	2	SHAFT HUB MOUNT	NOTE 4	
45	56314294	1	PIN COTTERLESS .375 X 3.00		
46	56314310	1	COUPLING QUICK DISC. MALE	(only before TSBUS2005-888)	
47	56314894	1	SKIRT ASSEMBLY LEFT 32	(32" / BR 800S / before TSBUS2004-884)	
47	56314894	1	SKIRT ASSEMBLY LEFT 32	(32" / BR 800S / after TSBUS2004-884)	
48	56314884	1	SKIRT ASSEMBLY RIGHT	(All Models / before TSBUS2004-884)	
48	56314884	1	SKIRT ASSEMBLY RIGHT	(All Models / after TSBUS2004-884)	
49	56314359	2	KEY 6MM SQUARE	NOTE 4 see disk deck blade kits below	
50		1	NOTE COMMENT	See Disk Deck Blade Kits Pos. A-B	5701715456
51	56314499	2	COVER GEARBOX	NOTE 4	
52	56392277	1	TUBE VINYL E00603		
53	56314031	2	HUB DRIVE	NOTE 4	
53	56314108	2	HUB DRIVE	NOTE 3	

NOTE: See "BRUSH SELECTOR GUIDE" at back of manual for available scrub brushes.

NOTE 2: Disk Deck Blade Kits include the mounting fasteners (Rivet, Nylon Tree Push-In 56003263 item 31), the two blades (items 40 & 50) and two blades for use in Skirt Assemblies (items 47 & 48).

NOTE 3: Only used after serial number 1931775.

NOTE 4: Only used before serial number 1931776.

NOTE 5: These Disk Deck Blade Kits include just the blades for use in the two Skirt Assemblies.

NOTE 6: See "SKIRT ASSEMBLIES-DISK (before TSBUS2004-884)".

POS. A: 32" / BR 800S Disk Deck Blade Kits (before TSBUS2004-884)

POS. B: 32" / BR 800S Disk Deck Blade Kits (after TSBUS2004-884)

NOTE 7: See "SKIRT ASSEMBLIES-DISK (after TSBUS2004-884)".

Scrub system-disk 32"

BR 600S/650S/700S/800S+C

23-04-2010

Part List ID E133121

29

Pos	Part no.	Qty	Description	EAN
54	56397300	1	TEE BARB	
55	56401783	2	LEVELER TANK CR630G	
56	56412187	2	SOLUTION TUBE E00603	
58	56002959	2	PIN COT HAIR SS.090XDIA .50/.75	
59	56315704	1	GEARBOX ASSEMBLY	(32" / BR 800S / M7) NOTE 3
59	56407500	1	BRUSH ASSEMBLY KIT	Not shown
60	56315705	2	SPACER	NOTE 3

NOTE: See "BRUSH SELECTOR GUIDE" at back of manual for available scrub brushes.

NOTE 2: Disk Deck Blade Kits include the mounting fasteners (Rivet, Nylon Tree Push-In 56003263 item 31), the two blades (items 40 & 50) and two blades for use in Skirt Assemblies (items 47 & 48).

NOTE 3: Only used after serial number 1931775.

NOTE 4: Only used before serial number 1931776.

NOTE 5: These Disk Deck Blade Kits include just the blades for use in the two Skirt Assemblies.

NOTE 6: See "SKIRT ASSEMBLIES-DISK (before TSBUS2004-884)".

POS. A: 32" / BR 800S Disk Deck Blade Kits (before TSBUS2004-884)

POS. B: 32" / BR 800S Disk Deck Blade Kits (after TSBUS2004-884)

NOTE 7: See "SKIRT ASSEMBLIES-DISK (after TSBUS2004-884)".

Skirt assemblies-cylindrical

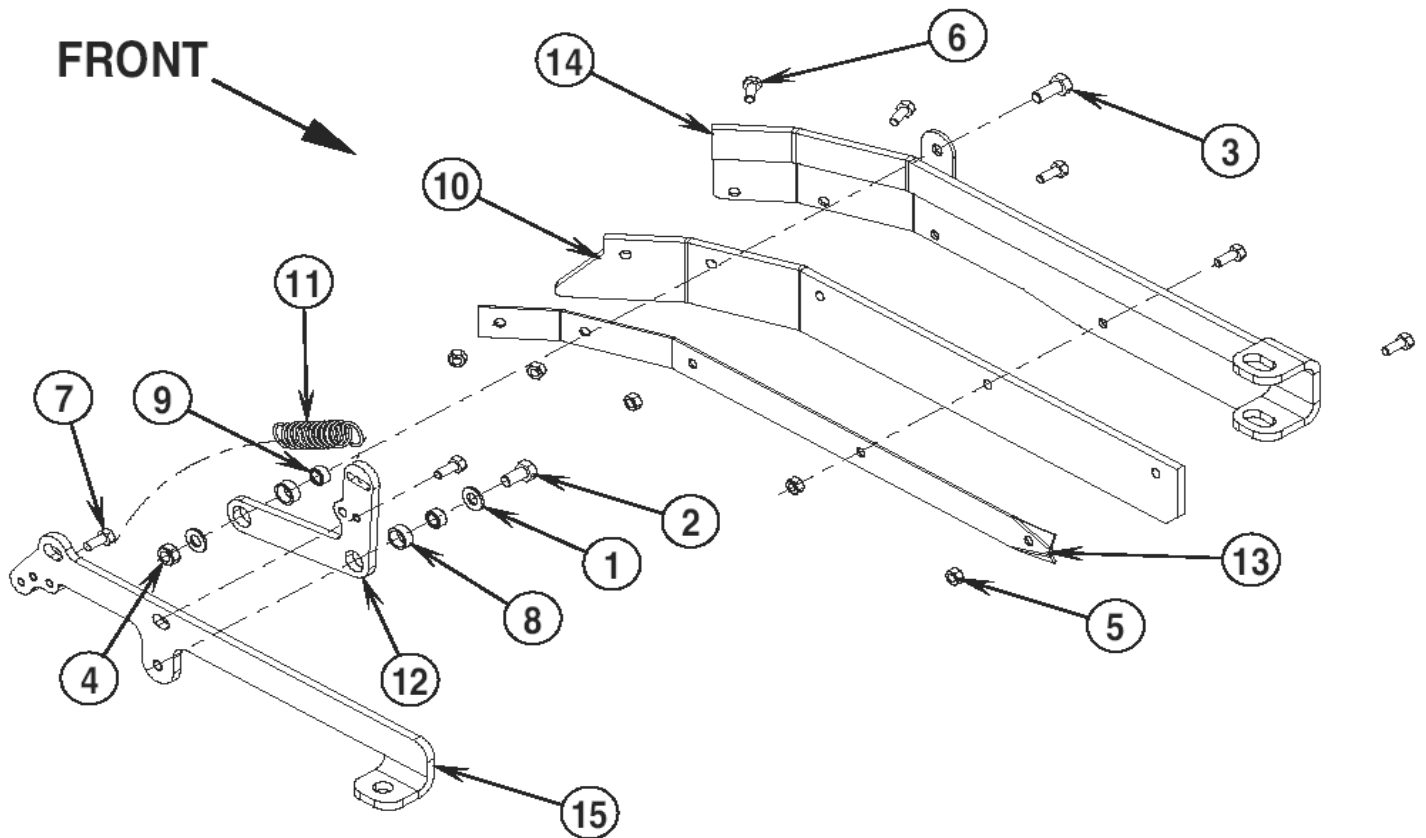
BR 600S/650S/700S/800S+C

23-04-2010

Part List ID
E133123

30

LEFT SKIRT ASSEMBLY SHOWN



Skirt assemblies-cylindrical

BR 600S/650S/700S/800S+C

23-04-2010

Part List ID E133123

31

Pos	Part no.	Qty	Description	EAN
0	56314443	1	LEFT SKIRT ASSEMBLY	
0	56314444	1	RIGHT SKIRT ASSEMBLY	
1	56001939	2	WSH FLT SAE 5/16	
2	56003178	1	SCR HEX THD TO HD M8 1.25X16MM	
3	56003179	1	SCR HEX THD/HD M8 1.25X20MM	
4	56003389	1	NUT HEX NYL LOC M8X1.25	
5	56003426	5	NUT HEX NYL LOC SS M6	
6	56003431	6	SCR HEX SS M6 1.00X16MM	
7	56003441	1	SCR HEX LOC M6 1.00X16MM	
8	56185263	2	BEARING SLEEVE E00202	
9	56320595	2	BUSHING .31X.50X.28HC18M	
10	56407392	1	BLADE DECK NEOPRENE	Optional
10	56407447	1	BLADE DECK GUM	5715492039
10	56410335	1	BLADE DECK RED GUM	Optional
11	56470672	1	SPRING EXT .75X3.00RE124K	
12	56314435	1	ARM MOUNT	
13	56314437	1	RETAINER SKIRT	
14	56314438	1	WELDMENT SKIRT BRACKET	
14	56314439	1	WELDMENT SKIRT BRACKET	
15	56314440	1	BRACKET MOUNT	
15	56314441	1	BRACKET MOUNT	

NOTE: All quantities are for one skirt assembly only, there are two skirt assemblies on the machine.

Skirt assemblies-disk (before TSBUS2004-88)

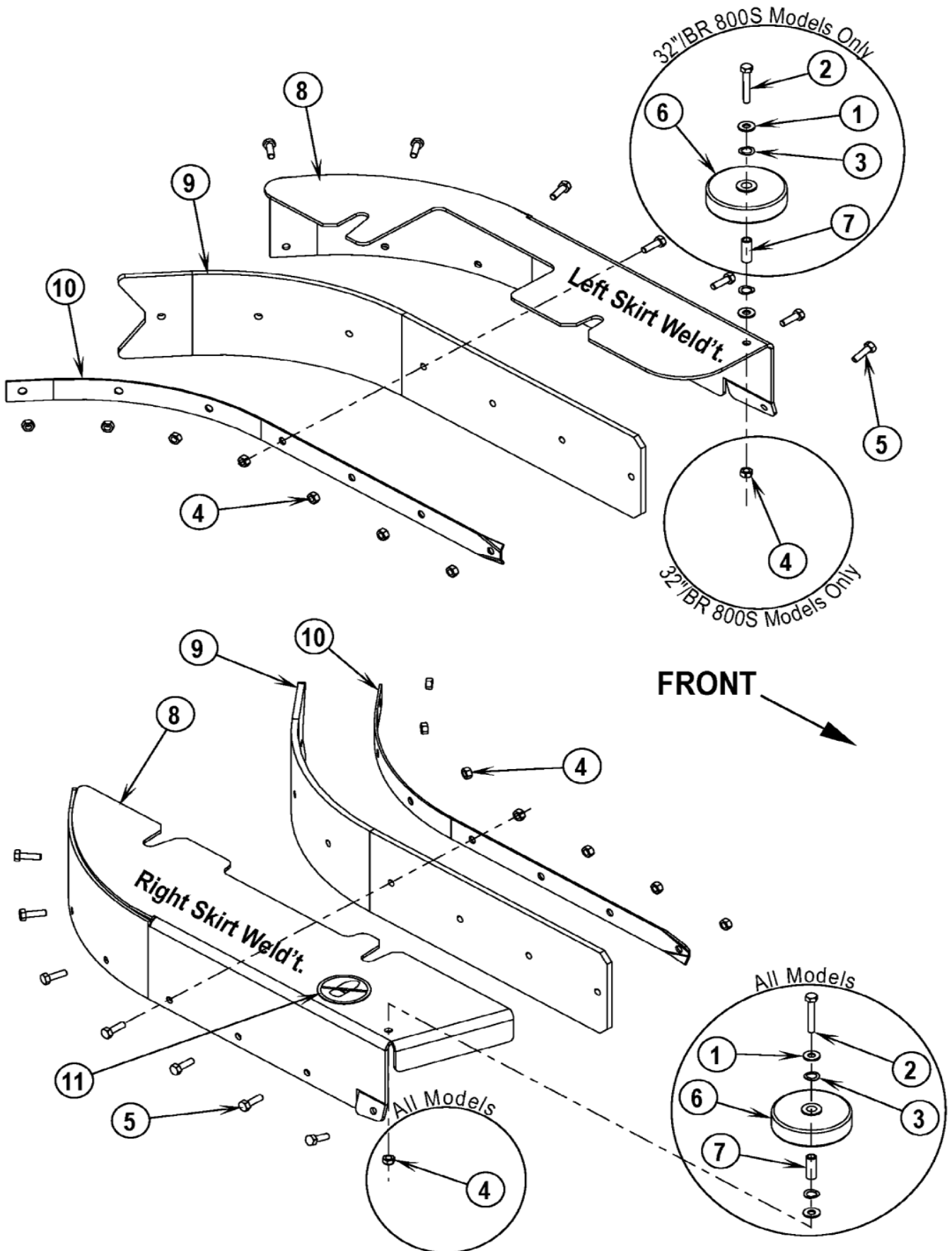
BR 600S/650S/700S/800S+C

23-04-2010

Part List ID

E133125

32



Skirt assemblies-disk (before TSBUS2004-88)

BR 600S/650S/700S/800S+C

23-04-2010

Part List ID
E133125

33

Pos	Part no.	Qty	Description		EAN
0	56314884	1	SKIRT ASSEMBLY RIGHT	(All Models)	
0	56314885	1	SKIRT ASSEMBLY LEFT	(24", 26", 28" / BR 600S, BR 650S, BR 700S)	
0	56314894	1	SKIRT ASSEMBLY LEFT 32	(32" / BR 800S)	
1	56002098	2	WSH FLT SAE 1/4	NOTE 1	
2	56003167	1	SCR HEX M6 1.0 X 40MM	NOTE 1	
3	56009045	2	WSH BOWED .375X.578X.060	NOTE 1	
4	56003426	8	NUT HEX NYL LOC SS M6		
5	56003454	7	SCR HEX THD TO HD SS M6 1X20MM		
6	56324499	1	WHEEL 3.00X.781 HC315	NOTE 1	
7	56471220	1	BUSHING .25X.37X1.0RE185L	NOTE 1	
8	56314058	1	FRAME SKIRT LEFT		
8	56314888	1	FRAME SKIRT RH PAINTED		
9		1	NOTE COMMENT	See Disk Deck Blade Kits pos. A-B-C-D	5701715456
A	56314124	1	KIT GUM RUBBER 24 DISC	NOTE 3 - optional	
A	56314170	1	KIT NEOPRENE 24 DISC	NOTE 3 - optional	
A	56314395	1	KIT LINATEX 24 DISC	NOTE 3 - optional	
A	56315723	1	BLADE KIT DISC RED GUM SD	NOTE 4 - optional	
A	56315724	1	BLADE KIT DISC GUM SIDE	NOTE 4 - optional	
B	56314125	1	KIT GUM RUBBER 26 DISC	NOTE 3 - optional	
B	56314171	1	KIT NEOPRENE 26 DISC	NOTE 3 - optional	
B	56314396	1	KIT LINATEX 26 DISC	NOTE 3 - optional	
B	56315723	1	BLADE KIT DISC RED GUM SD	NOTE 4 - optional	
B	56315724	1	BLADE KIT DISC GUM SIDE	NOTE 4 - optional	
C	56314126	1	KIT GUM RUBBER 28 DISC	NOTE 3 - optional	
C	56314172	1	KIT NEOPRENE 28 DISC	NOTE 3 - optional	
C	56314397	1	KIT LINATEX 28 DISC	NOTE 3 - optional	
C	56315723	1	BLADE KIT DISC RED GUM SD	NOTE 4 - optional	
C	56315724	1	BLADE KIT DISC GUM SIDE	NOTE 4 - optional	
D	56314127	1	KIT GUM RUBBER 32 DISC	NOTE 3 - optional	
D	56314173	1	KIT NEOPRENE 32 DISC	NOTE 3 - optional	
D	56314398	1	KIT LINATEX 32 DISC	NOTE 3 - optional	
D	56315723	1	BLADE KIT DISC RED GUM SD	NOTE 4 - optional	
D	56315724	1	BLADE KIT DISC GUM SIDE	NOTE 4 - optional	
10	56314341	1	RETAINER BLADE		

NOTE 1: These items are on the Right Skirt Assembly PN 56314350 on all models, but only on the 32" Left Skirt Assembly PN 56314347.

NOTE 2: All quantities are for one skirt assembly only, there are two skirt assemblies on the machine.

NOTE 3: Disk Deck Blade Kits include the mounting fasteners (Rivet, Nylon Tree Push-In 56003263), two skirt blades (item 9) and the two deck blades (front & rear).

NOTE 4: These Disk Deck Blade Kits include just the blades for use in the two Skirt Assemblies.

NOTE: Pos. No. 9 see below all with NOTE 3:

24" Disk Deck Blade Kits - Pos. No. A

26" Disk Deck Blade Kits - Pos. No. B

28" Disk Deck Blade Kits - Pos. No. C

32" Disk Deck Blade Kits - Pos. No. D

Skirt assemblies-disk (before TSBUS2004-88)

BR 600S/650S/700S/800S+C

23-04-2010

Part List ID E133125

34

Pos	Part no.	Qty	Description	EAN
11	56016163	1	DECAL NO STEP (Right Skirt Assembly only)	

NOTE 1: These items are on the Right Skirt Assembly PN 56314350 on all models, but only on the 32" Left Skirt Assembly PN 56314347.

NOTE 2: All quantities are for one skirt assembly only, there are two skirt assemblies on the machine.

NOTE 3: Disk Deck Blade Kits include the mounting fasteners (Rivet, Nylon Tree Push-In 56003263), two skirt blades (item 9) and the two deck blades (front & rear).

NOTE 4: These Disk Deck Blade Kits include just the blades for use in the two Skirt Assemblies.

NOTE: Pos. No. 9 see below all with NOTE 3:

24" Disk Deck Blade Kits - Pos. No. A

26" Disk Deck Blade Kits - Pos. No. B

28" Disk Deck Blade Kits - Pos. No. C

32" Disk Deck Blade Kits - Pos. No. D

Skirt assemblies-disk (after TSBUS2004-884)

BR 600S/650S/700S/800S+C

23-04-2010

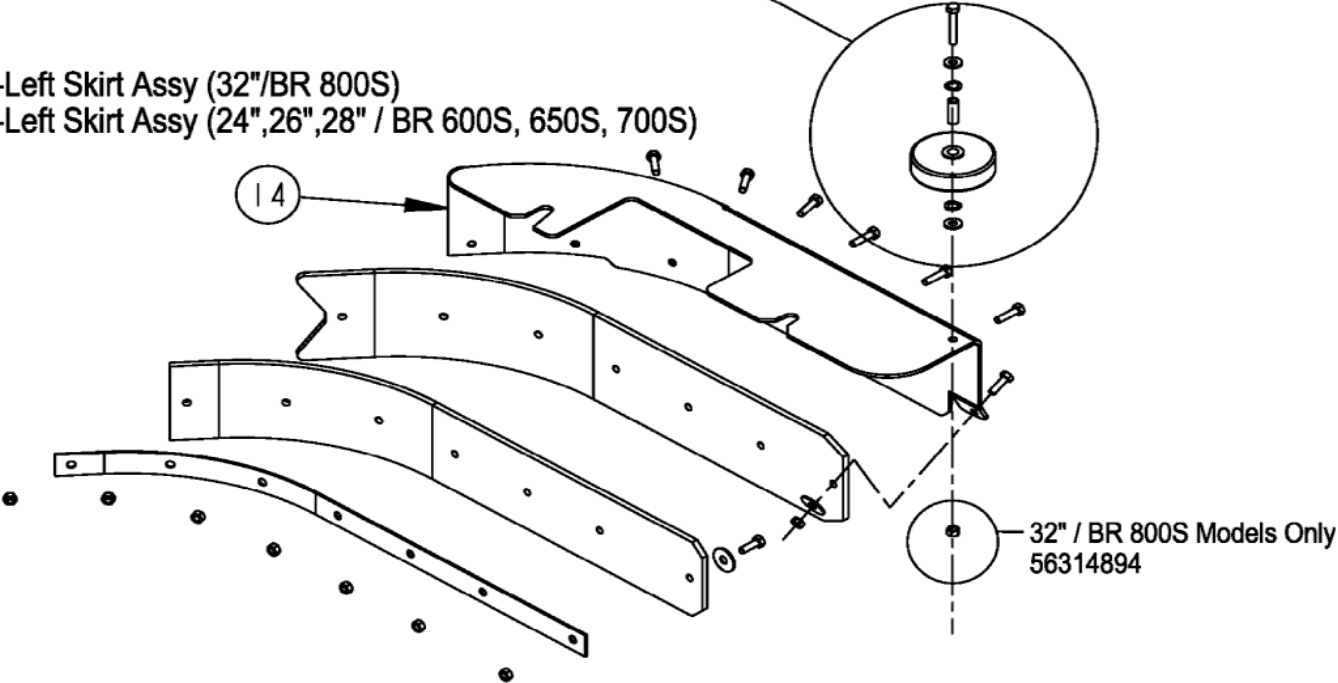
Part List ID

E133127

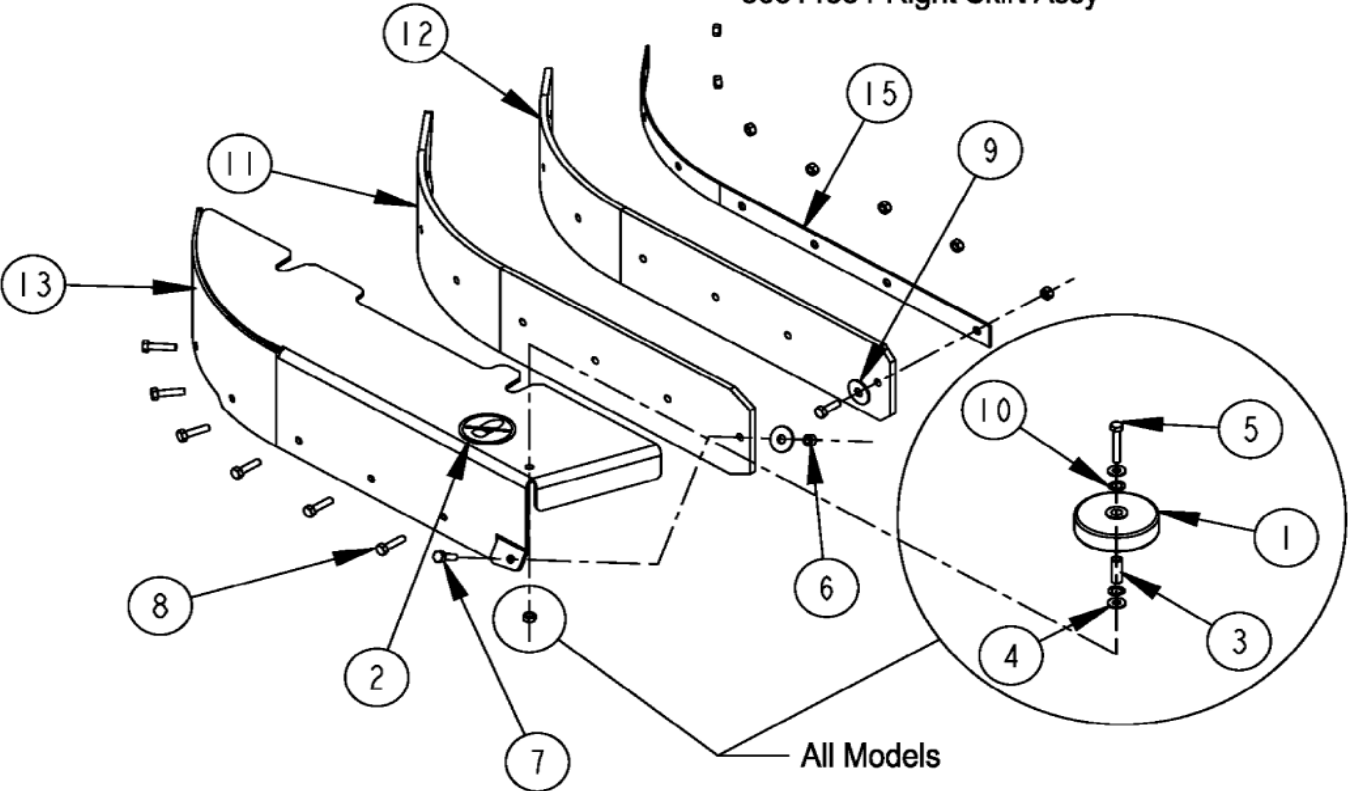
35

32" / BR 800S Models Only
56314894

56314894-Left Skirt Assy (32"/BR 800S)
56314885-Left Skirt Assy (24",26",28" / BR 600S, 650S, 700S)



56314884-Right Skirt Assy



Skirt assemblies-disk (after TSBUS2004-884)

BR 600S/650S/700S/800S+C

23-04-2010

Part List ID
E133127

36

Pos	Part no.	Qty	Description		EAN
0	56314884	1	SKIRT ASSEMBLY RIGHT	(All Models)	
0	56314885	1	SKIRT ASSEMBLY LEFT	(24", 26", 28" / BR 600S, BR 650S, BR 700S)	
0	56314894	1	SKIRT ASSEMBLY LEFT 32	(32" / BR 800S)	
1	56324499	1	WHEEL 3.00X.781 HC315	NOTE 1	
2	56016163	1	DECAL NO STEP	(Right Skirt Assembly Only)	
3	56471220	1	BUSHING .25X.37X1.0RE185L	NOTE 1	
4	56002098	2	WSH FLT SAE 1/4	NOTE 1	
5	56003167	1	SCR HEX M6 1.0 X 40MM	NOTE 1	
6	56003426	9	NUT HEX NYL LOC SS M6	(qty of 8 on 56314885)	
7	56003454	2	SCR HEX THD TO HD SS M6 1X20MM		
8	56003695	6	SCR HEX THD TO HD SS M6 1.0X30MM		
9	56003696	2	WSH FLAT SS .33 X 1.00 X .060		
A	56314911	1	BLADE KIT DISC GUM 24	NOTE 3 - optional	
A	56314915	1	BLADE KIT DISC RED GUM 24	NOTE 3 - optional	
A	56315721	1	BLADE KIT DISC RED GUM SD	NOTE 4 - optional	
A	56315722	1	BLADE KIT DISC GUM SIDE	NOTE 4 - optional	
B	56314912	1	BLADE KIT DISC GUM 26	NOTE 3 - optional	
B	56314916	1	BLADE KIT DISC RED GUM 26	NOTE 3 - optional	
B	56315721	1	BLADE KIT DISC RED GUM SD	NOTE 4 - optional	
B	56315722	1	BLADE KIT DISC GUM SIDE	NOTE 4 - optional	
C	56314913	1	BLADE KIT DISC GUM 28	NOTE 3 - optional	
C	56314917	1	KIT LINA TEK 28 DISK	NOTE 3 - optional	
C	56315721	1	BLADE KIT DISC RED GUM SD	NOTE 4 - optional	
C	56315722	1	BLADE KIT DISC GUM SIDE	NOTE 4 - optional	
D	56314914	1	BLADE KIT DISC GUM 32	NOTE 3 - optional	
D	56314918	1	KIT LINA TEX 32 DISK	NOTE 3 - optional	
D	56315721	1	BLADE KIT DISC RED GUM SD	NOTE 4 - optional	
D	56315722	1	BLADE KIT DISC GUM SIDE	NOTE 4 - optional	
10	56009045	2	WSH BOWED .375X.578X.060	NOTE 1	
11		1	NOTE COMMENT	See Disk Deck Blade Kits pos. A-B-C-D	5701715456
12		1	NOTE COMMENT	See pos. A-B-C-D	5701715456
13	56314888	1	FRAME SKIRT RH PAINTED		

NOTE 1: These items are on the Right Skirt Assembly PN 56314884 on all models, but only on the 32" Left Skirt Assembly PN 56314894.

NOTE 2: All quantities are for one skirt assembly only, there are two skirt assemblies on the machine.

NOTE 3: Disk Deck Blade Kits include the mounting fasteners (Rivet, Nylon Tree Push-In 56003263), four skirt blades (items 11 & 12) and the two deck blades (front & rear).

NOTE 4: These Disk Deck Blade Kits include just the blades for use in the two Skirt Assemblies.

NOTE: Pos. No. 11 and 12 see below all with NOTE 3:

24" Disk Deck Blade Kits - Pos. No. A

26" Disk Deck Blade Kits - Pos. No. B

28" Disk Deck Blade Kits - Pos. No. C

32" Disk Deck Blade Kits - Pos. No. D

Skirt assemblies-disk (after TSBUS2004-884)

BR 600S/650S/700S/800S+C

23-04-2010

Part List ID E133127

37

Pos	Part no.	Qty	Description	EAN
14	56314889	1	FRAME SKIRT LH PAINTED	
15	56314891	1	RETAINER BLADE PAINTED	

NOTE 1: These items are on the Right Skirt Assembly PN 56314884 on all models, but only on the 32" Left Skirt Assembly PN 56314894.

NOTE 2: All quantities are for one skirt assembly only, there are two skirt assemblies on the machine.

NOTE 3: Disk Deck Blade Kits include the mounting fasteners (Rivet, Nylon Tree Push-In 56003263), four skirt blades (items 11 & 12) and the two deck blades (front & rear).

NOTE 4: These Disk Deck Blade Kits include just the blades for use in the two Skirt Assemblies.

NOTE: Pos. No. 11 and 12 see below all with NOTE 3:

24" Disk Deck Blade Kits - Pos. No. A

26" Disk Deck Blade Kits - Pos. No. B

28" Disk Deck Blade Kits - Pos. No. C

32" Disk Deck Blade Kits - Pos. No. D

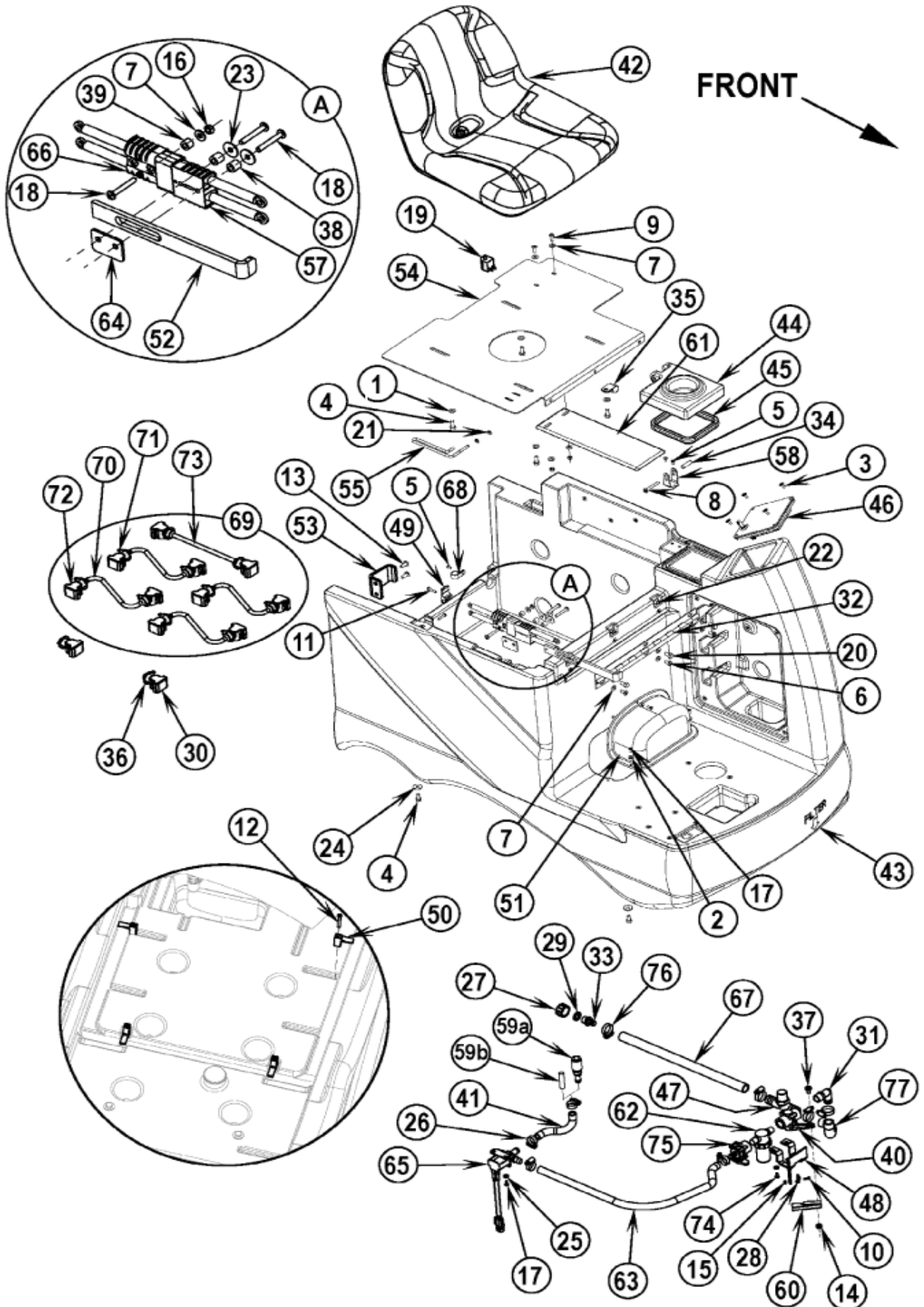
Solution system (standard)

BR 600S/650S/700S/800S+C

23-04-2010

Part List ID
E133129

38



Solution system (standard)

BR 600S/650S/700S/800S+C

23-04-2010

Part List ID E133129

39

Pos	Part no.	Qty	Description	EAN
1	56001939	4	WSH FLT SAE 5/16	
2	56001954	3	WSH FLT SAE 10	
3	56009206	4	SCR TRUSS PHIL BLK 10 24X.50	
4	56002035	4	SCR HEX 5/16 18 X .62	
5	56002043	3	SCR PAN PHIL 10 24 X .38	
6	56002066	3	SCR PAN PHIL 1/4 20 X .62	
7	56002098	11	WSH FLT SAE 1/4	
8	56002108	1	SCR PAN PHIL 1/4 20 X 2.00	
9	56002507	2	SCR PAN PHIL 1/4 20 X .75	
10	56002589	1	SCR HEX 6 32 X .50	
11	56002674	5	SCR PAN PHIL 10 24 X 1.00	
12	56002171	4	SCR PAN PHIL 10 24 X 2.00	
13	56002793	2	SCR PAN PHIL 5/16 18 X .75	
14	56002826	1	NUT HEX NYL LOC THIN 5/16 18	
15	56002830	1	NUT HEX NYL LOC 6 32	
16	56002840	3	NUT HEX NYL LOC THIN 1/4 20	
17	56002900	5	SCR PAN PHIL SS 10 24 X .50	
18	56002108	3	SCR PAN PHIL 1/4 20 X 2.00	
19	7-82-00050	1	SWITCH SEAT	S2 5701715332
20	56003178	3	SCR HEX THD TO HD M8 1.25X16MM	
21	56003268	3	RING RET EXT TYPE E REINF	
22	56003389	3	NUT HEX NYL LOC M8X1.25	
23	56009002	2	WASHER FLAT .266X.906X.060	
24	56009122	4	WSH FLT .344X.938X.125	
25	56009205	4	WSH FLT SS .219X.500X.047/.062	
26	56219932	4	CLAMP HOSE SAE 6 E00047	
27	56255076	1	CAP PIPE GHT NYLON FA33K	
28	56344265	1	CLAMP CABLE AS510A	
29	56368776	1	WSH FLT RUBBER .625CV80L	
30	56372673	2	BOOT BATTERY POST	

NOTE 1: For battery cables are not included (after SN 1688856), but "Battery Connector Kit" (56314326) can be ordered separately if battery connectors are desired.

NOTE 2: Seat Weldment 56314221 was modified as of serial #1726172 to accommodate Onboard Charger Kit 56314753.

NOTE 3: Used on machines built before serial number chart "A".

NOTE 4: Used on machines built after serial number chart "A".

NOTE 5: Used on machines built before serial number chart "B".

NOTE 6: Used on machines built after serial number chart "B".

NOTE 7: Used on machines built before TSBUS2005-896.

NOTE 8: Used on machines built after TSBUS2005-896.

NOTE 3 & 4 NOTE 5 & 6

SERIAL NUMBER CHART "A" SERIAL NUMBER CHART "B"

1752024 - BR 600S 1837616 - BR 600S

1752041 - BR 700S 1837623 - BR 700S

1752046 - BR 800S 1839156 - BR 800S

1752052 - BR 600SC 1837650 - BR 600SC

1752054 - BR 700SC 1837652 - BR 700SC

1753522 - BR 800SC 1839732 - BR 800SC

Solution system (standard)

BR 600S/650S/700S/800S+C

23-04-2010

Part List ID
E133129

40

Pos	Part no.	Qty	Description		EAN
31	56314757	1	ELBOW 90BARBMALE1/2 14 .75HOSE	NOTE 4	
31	56409152	1	BARB 90 1/2 NPTX1/2 E00037	NOTE 3	
32	56412196	1	HINGE	NOTE 7	
33	56412273	1	BARB ADAPTER E00039	NOTE 3	
33	56900273	1	BARB HOSE E00039	NOTE 4	
34	56468553	1	BUSHING .27X.37X1.3RE651D		
35	56469380	1	CLAMP CABLE .75 E00129		
36	56478246	2	CABLE TIE E00549 RE438BA		
37	56003003	1	SCR PAN PHIL 5/16 18X.62		
38	56046309	2	SPACER PHENOLIC		
39	56050872	1	SPACER PHEN.		
40	56314899	1	VALVE SOLUTION		
41	56262180	1	HOSE SPIRAL .50 X 7 E00604		
42	8-69-00022	1	SEAT	NOTE 5	5701715332
43	56314940	1	SOLUTION TANK	NOTE 8	
44	56314066	1	COVER SOLUTION TANK		
45	56314069	1	GASKET		
46	56314072	1	DISPLAY PANEL ASSEMBLY	(before TSBUS2006-922)	
46	56314713	1	PANEL ASSY SCRUBBER	TSBUS2006-932 - not shown	
46	56316109	1	CONTROL PANEL ASSEMBLY	(after TSBUS2006-943)	
46	56396188	1	SWITCH KEY	Not shown	
46	56396189	1	KEY SPARE	Not shown	
47	56314153	1	TEE .5 MPTXX .5 HOSE X.5 HOSE	NOTE 3	
47	56314758	1	TEE BARB 1/2 14 .75 HOSE	NOTE 4	
48	56314882	1	BRACKET WATER VALVE	(After TSBUS2004-874)	
49	56314155	5	CLAMP CABLE 1 GAUGE		
50	56314608	4	CLAMP CABLE		
51	56314975	1	COVER ACTUATOR CLOSED	NOTE 7	
51	56314975	1	COVER ACTUATOR CLOSED	NOTE 8	
52	56314292	1	BAR DISCONNECT		

NOTE 1: For battery cables are not included (after SN 1688856), but "Battery Connector Kit" (56314326) can be ordered separately if battery connectors are desired.

NOTE 2: Seat Weldment 56314221 w as modifi ed as of serial #1726172 to accommodate Onboard Charger Kit 56314753.

NOTE 3: Used on machines built before serial number chart "A".

NOTE 4: Used on machines built after serial number chart "A".

NOTE 5: Used on machines built before serial number chart "B".

NOTE 6: Used on machines built after serial number chart "B".

NOTE 7: Used on machines built before TSBUS2005-896.

NOTE 8: Used on machines built after TSBUS2005-896.

NOTE 3 & 4 NOTE 5 & 6

SERIAL NUMBER CHART "A" SERIAL NUMBER CHART "B"

1752024 - BR 600S 1837616 - BR 600S

1752041 - BR 700S 1837623 - BR 700S

1752046 - BR 800S 1839156 - BR 800S

1752052 - BR 600SC 1837650 - BR 600SC

1752054 - BR 700SC 1837652 - BR 700SC

1753522 - BR 800SC 1839732 - BR 800SC

Solution system (standard)

BR 600S/650S/700S/800S+C

23-04-2010

Part List ID
E133129

41

Pos	Part no.	Qty	Description	EAN
53	56316526	1	BRACKET TANK MOUNT	
54	56314221	1	WELDMENT SEAT MOUNT	NOTE 2, NOTE 7
54	56314951	1	WELDT SEAT MOUNT	NOTE 8
55	56314223	1	PROP ROD	
56	56314971	1	HARNESS MAIN	NOTE 6 (before TSBUS2006-922)
56	56316114	1	HARNESS MAIN	(after TSBUS2006-922)
57	56314253	1	CABLE ASSEMBLY	
58	56314264	1	HINGE BRACKET	
60	56314881	1	BRACKET VALVE	(After TSBUS2007-874)
60	56314919	1	KIT FLOW CONTROL	(Before TSBUS2004-874)
61	56314532	1	PANEL BATTERY BOX	
62	56314538	1	STRAINER	NOTE 3
62	56314756	1	STRAINER	NOTE 4
63	56386182	1	HOSE E00604	
64	56397189	1	SPACER	
65	56397215	1	SOLUTION VALVE ASSY.	
66	56397508	1	CONNECTOR ASSEMBLY	
67	56263218	1	HOSE 17 E00521	NOTE 4
67	56264318	1	HOSE E00604	NOTE 3
68	56442003	1	CLAMP CABLE .677 E00129	
70	56456460	4	CABLE ASSY4 X 12.0 E00192	
71	56478246	10	CABLE TIE E00549 RE438BA	
72	56372673	10	BOOT BATTERY POST	
73	56441600	1	CABLE ASSY 4X15.5 E00192	
74	56001993	2	SCREW 10 24 X 0.5 ZINC PL	NOTE 4
75	56314755	1	VALVE SOLUTION	NOTE 4
76	56112771	4	CLAMP HOSE SAE 10 E00047	NOTE 4
76	56219932	4	CLAMP HOSE SAE 6 E00047	NOTE 3
77	56262180	1	HOSE SPIRAL .50 X 7 E00604	NOTE 3
77	56410162	1	HOSE 7 SPIRAL E00605	NOTE 4

NOTE 1: For battery cables are not included (after SN 1688856), but "Battery Connector Kit" (56314326) can be ordered separately if battery connectors are desired.

NOTE 2: Seat Weldment 56314221 was modified as of serial #1726172 to accommodate Onboard Charger Kit 56314753.

NOTE 3: Used on machines built before serial number chart "A".

NOTE 4: Used on machines built after serial number chart "A".

NOTE 5: Used on machines built before serial number chart "B".

NOTE 6: Used on machines built after serial number chart "B".

NOTE 7: Used on machines built before TSBUS2005-896.

NOTE 8: Used on machines built after TSBUS2005-896.

NOTE 3 & 4 NOTE 5 & 6

SERIAL NUMBER CHART "A" SERIAL NUMBER CHART "B"

1752024 - BR 600S 1837616 - BR 600S

1752041 - BR 700S 1837623 - BR 700S

1752046 - BR 800S 1839156 - BR 800S

1752052 - BR 600SC 1837650 - BR 600SC

1752054 - BR 700SC 1837652 - BR 700SC

1753522 - BR 800SC 1839732 - BR 800SC

Solution system (standard)

BR 600S/650S/700S/800S+C

23-04-2010

Part List ID E133129

42

Pos	Part no.	Qty	Description	EAN
78	56264318	1	HOSE E00604	
79	56111385	1	HOSE SPIRAL .50 X 2.50	
59A	56314905	1	KIT SOLUTION FLOW	(Before TSBUS2005-888)
59B	56314904	1	TUBE	(After TSBUS2005-888)

NOTE 1: For battery cables are not included (after SN 1688856), but "Battery Connector Kit" (56314326) can be ordered separately if battery connectors are desired.

NOTE 2: Seat Weldment 56314221 was modified as of serial #1726172 to accommodate Onboard Charger Kit 56314753.

NOTE 3: Used on machines built before serial number chart "A".

NOTE 4: Used on machines built after serial number chart "A".

NOTE 5: Used on machines built before serial number chart "B".

NOTE 6: Used on machines built after serial number chart "B".

NOTE 7: Used on machines built before TSBUS2005-896.

NOTE 8: Used on machines built after TSBUS2005-896.

NOTE 3 & 4

NOTE 5 & 6

SERIAL NUMBER CHART "A" SERIAL NUMBER CHART "B"

1752024 - BR 600S 1837616 - BR 600S

1752041 - BR 700S 1837623 - BR 700S

1752046 - BR 800S 1839156 - BR 800S

1752052 - BR 600SC 1837650 - BR 600SC

1752054 - BR 700SC 1837652 - BR 700SC

1753522 - BR 800SC 1839732 - BR 800SC

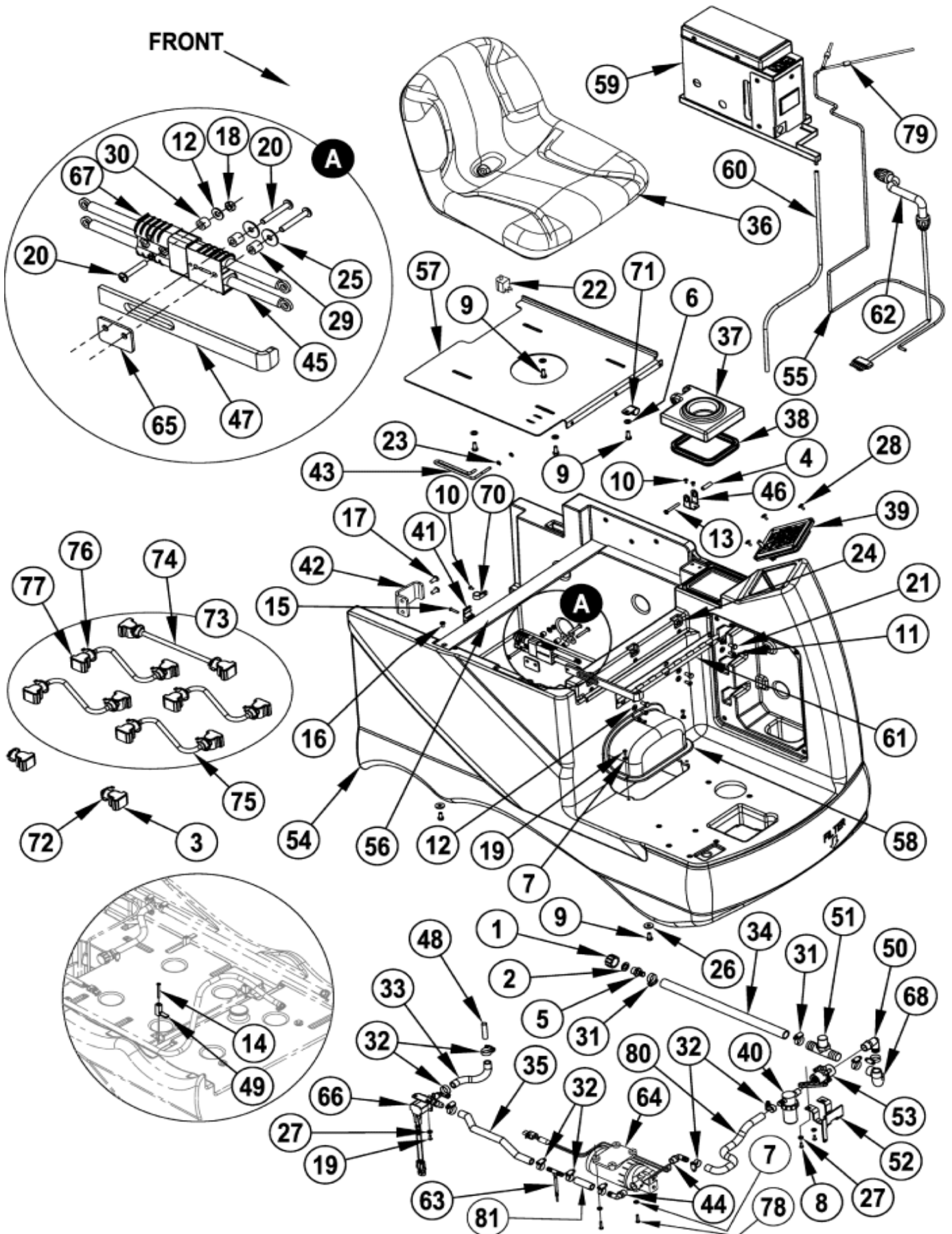
Solution system (AXP/ECO+solution)

BR 600S/650S/700S/800S+C

23-04-2010

Part List ID
E133131

43



Solution system (AXP/ECO+solution)

BR 600S/650S/700S/800S+C

23-04-2010

Part List ID
E133131

44

Pos	Part no.	Qty	Description	EAN
1	56255076	1	CAP PIPE GHT NYLON FA33K	
2	56368776	1	WSH FLT RUBBER .625CV80L	
3	56372673	2	BOOT BATTERY POST	
4	56468553	1	BUSHING .27X.37X1.3RE651D	
5	56900273	1	BARB HOSE E00039	
6	56001939	4	WSH FLT SAE 5/16	
7	56001954	5	WSH FLT SAE 10	
9	56002035	8	SCR HEX 5/16 18 X .62	
10	56002043	3	SCR PAN PHIL 10 24 X .38	
11	56002066	3	SCR PAN PHIL 1/4 20 X .62	
12	56002098	7	WSH FLT SAE 1/4	
13	56002108	1	SCR PAN PHIL 1/4 20 X 2.00	
14	56002171	4	SCR PAN PHIL 10 24 X 2.00	
15	56002674	5	SCR PAN PHIL 10 24 X 1.00	
16	56002711	1	SCR FLT PHIL 1/4 20 X .88	
17	56002793	2	SCR PAN PHIL 5/16 18 X .75	
18	56002840	1	NUT HEX NYL LOC THIN 1/4 20	
19	56002900	7	SCR PAN PHIL SS 10 24 X .50	
20	56002108	3	SCR PAN PHIL 1/4 20 X 2.00	
21	56003178	3	SCR HEX THD TO HD M8 1.25X16MM	
22	7-82-00050	1	SWITCH SEAT	S2 5701715332
23	56003268	2	RING RET EXT TYPE E REINF	
24	56003389	3	NUT HEX NYL LOC M8X1.25	
25	56009002	2	WASHER FLAT .266X.906X.060	
26	56009122	4	WSH FLT .344X.938X.125	
27	56009205	4	WSH FLT SS .219X.500X.047/.062	
28	56009206	4	SCR TRUSS PHIL BLK 10 24X.50	
29	56046309	2	SPACER PHENOLIC	
30	56050872	1	SPACER PHEN.	
31	56112771	4	CLAMP HOSE SAE 10 E00047	
32	56219932	8	CLAMP HOSE SAE 6 E00047	
33	56262180	1	HOSE SPIRAL .50 X 7 E00604	
34	56263218	1	HOSE 17 E00521	
35	56409462	1	HOSE .50 X 12.0 E00604	
36	8-69-00022	1	SEAT	NOTE 1 5701715332
37	56314066	1	COVER SOLUTION TANK	
38	56314069	1	GASKET	
39	56314072	1	DISPLAY PANEL ASSEMBLY	(before TSBUS2006-922)
39	56314713	1	PANEL ASSY SCRUBBER	TSBUS2006-932 - not shown
39	56316109	1	CONTROL PANEL ASSEMBLY	(after TSBUS2006-943)
39	56396188	1	SWITCH KEY	Not shown

NOTE 1: Seat 56314035 is obsolete and replaced by 8-69-00022 in production. Order Seat kit 56109292 to replace in the field.

Solution system (AXP/ECO+solution)

BR 600S/650S/700S/800S+C

23-04-2010

Part List ID
E133131

45

Pos	Part no.	Qty	Description	EAN
39	56396189	1	KEY SPARE	Not shown
40	56314147	1	STRAINER	
41	56314155	5	CLAMP CABLE 1 GAUGE	
42	56316526	1	BRACKET TANK MOUNT	
43	56314223	1	PROP ROD	
44	56314971	1	HARNESS MAIN	(before TSBUS2006-922) - not shown
44	56316114	1	HARNESS MAIN	(after TSBUS2006-922) - not shown
44	56900069	2	BARB 90 ELBOW 1/2 X 3/8NPT	
45	56314253	1	CABLE ASSEMBLY	
46	56314264	1	HINGE BRACKET	
47	56314292	1	BAR DISCONNECT	
48	56314904	1	TUBE	
49	56314608	4	CLAMP CABLE	
50	56314757	1	ELBOW 90BARBMALE1/2 14 .75HOSE	
51	56314758	1	TEE BARB 1/2 14 .75 HOSE	
52	56314881	1	BRACKET VALVE	
53	56314899	1	VALVE SOLUTION	
54	56314940	1	SOLUTION TANK	
56	56314943	1	BRKT SEAT	
57	56314949	1	WELDT SEAT MOUNT	
58	56314960	1	COVER ACTUATOR	
59	56316537	1	DETERGENT INJECT ASSY	(TSBUS2006-922)(see Detergent Injection System)
60	56314965	1	HOSE PVC 1/4X3/8X32	
62	56314980	1	HARNESS CHEMICAL SYSTEM	
63	56314983	1	TEE ASSEMBLY	
64	56212014	1	PUMP DC 36V BY PASS	
65	56397189	1	SPACER	
66	56397215	1	SOLUTION VALVE ASSY.	
67	56397508	1	CONNECTOR ASSEMBLY	
68	56410162	1	HOSE 7 SPIRAL E00605	
70	56442003	1	CLAMP CABLE .677 E00129	
71	56469380	1	CLAMP CABLE .75 E00129	
72	56478246	2	CABLE TIE E00549 RE438BA	
74	56441600	1	CABLE ASSY 4X15.5 E00192	
75	56456460	4	CABLE ASSY 4 X 12.0 E00192	
76	56478246	10	CABLE TIE E00549 RE438BA	
77	56372673	10	BOOT BATTERY POST	
78	56002674	2	SCR PAN PHIL 10 24 X 1.00	
80	56264318	1	HOSE E00604	
81	56111385	1	HOSE SPIRAL .50 X 2.50	

NOTE 1: Seat 56314035 is obsolete and replaced by 8-69-00022 in production. Order Seat kit 56109292 to replace in the field.

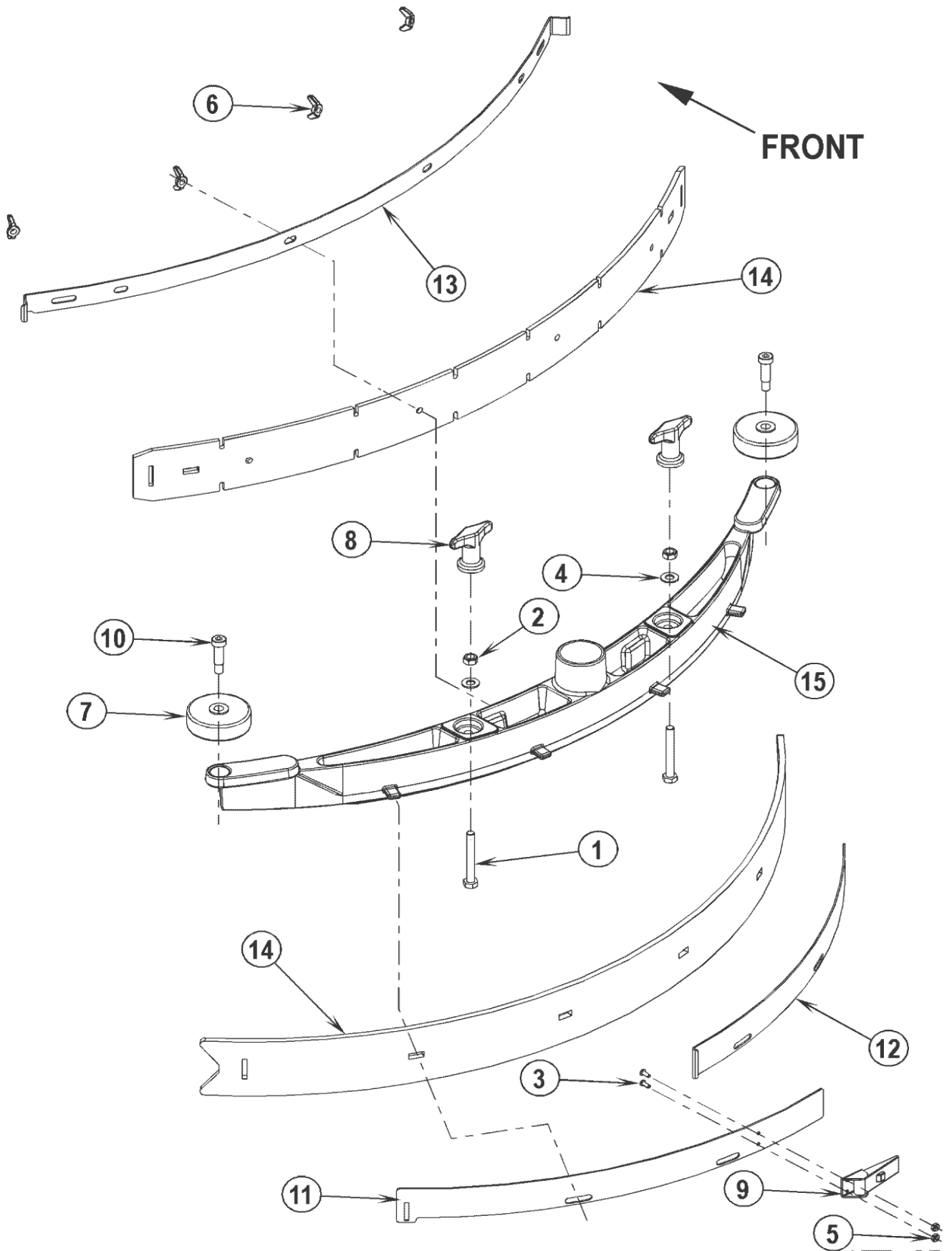
Squeegee assembly

BR 600S/650S/700S/800S+C

23-04-2010

Part List ID
E133132

46



Squeegee assembly

BR 600S/650S/700S/800S+C

23-04-2010

Part List ID
E133132

47

Pos	Part no.	Qty	Description	EAN
0	56314020	1	SQUEEGEE ASSEMBLY (26" & 28" / BR 650S & BR 700S)	
0	56314327	1	SQUEEGEE ASSEMBLY 24 (24" / BR 600S)	
0	56314358	1	SQUEEGEE ASSEMBLY 32 (32" / BR 800S)	
1	56003736	2	SCR HEX THD SS 5/16 18X3.00	
3	56002909	2	SCR PAN PHIL SS 6 32 X .38	
4	56002938	2	WSH FLT SAE SS 5/16	
6	56009111	4	NUT WING S.S. 1/4 20	
7	56324350	2	WHEEL	
8	56370711	2	NUT THUMB	
9	56471194	1	LATCH ASSY RE32	
A	56314055	1	BLADE KIT SQGEE RED GUM A NOTE 1 - optional, not included	
A	56314056	1	BLADE KIT SQUEEGEE NEO A NOTE 1 - optional, not included	
B	56314304	1	BLADE KIT SQGEE RED GUM B NOTE 1 - optional, not included	
B	56315854	1	BLADE KIT SQUEEGEE PU B NOTE 1 - optional, not included	
C	56314061	1	BLADE KIT SQGEE RED GUM C NOTE 1 - optional, not included	
C	56315855	1	BLADE KIT SQUEEGEE PU C NOTE 1 - optional, not included	
10	56003472	2	SCR SOC SHD.38X1.00X5/16 18	
11	56109660	1	STRAP LEFT REAR B (26" & 28" / BR 650S & BR 700S)	
11	56109664	1	STRAP LEFT REAR C (32" / BR 800S)	
11	56314317	1	STRAP LEFT REAR 24 (24" / BR 600S)	
12	56109658	1	STRAP RIGHT REAR A (24" / BR 600S)	
12	56109665	1	STRAP RIGHT REAR C (32" / BR 800S)	
12	56314027	1	STRAP RIGHT REAR B (26" & 28" / BR 650S & BR 700S)	
13	56109583	1	STRAP KIT B (26" & 28" / BR 650S & BR 700S)	
13	56314316	1	STRAP FRONT 24 (24" / BR 600S)	
13	56314322	1	STRAP FRONT 32 (32" / BR 800S)	
14	56314054	1	BLADE KIT SQUEEGEE GUM A (24" / BR 600S) NOTE 1	
14	56314060	1	BLADE KIT SQUEEGEE GUM C (32" / BR 800S) NOTE 1	
14	56314303	1	BLADE KIT SQUEEGEE GUM B (26" & 28" / BR 650S & BR 700S) NOTE 1	
15	56314271	1	SQUEEGEE TOOL CASTING B (26" & 28" / BR 650S & BR 700S)	
15	56314319	1	SQUEEGEE TOOL CASTING A (24" / BR 600S)	
15	56314325	1	SQUEEGEE TOOL CASTING C (32" / BR 800S)	

NOTE 1: All squeegee blade kits include both front and rear squeegee blades.

Squeegee system - top view of squeegee tool ca

BR 600S/650S/700S/800S+C

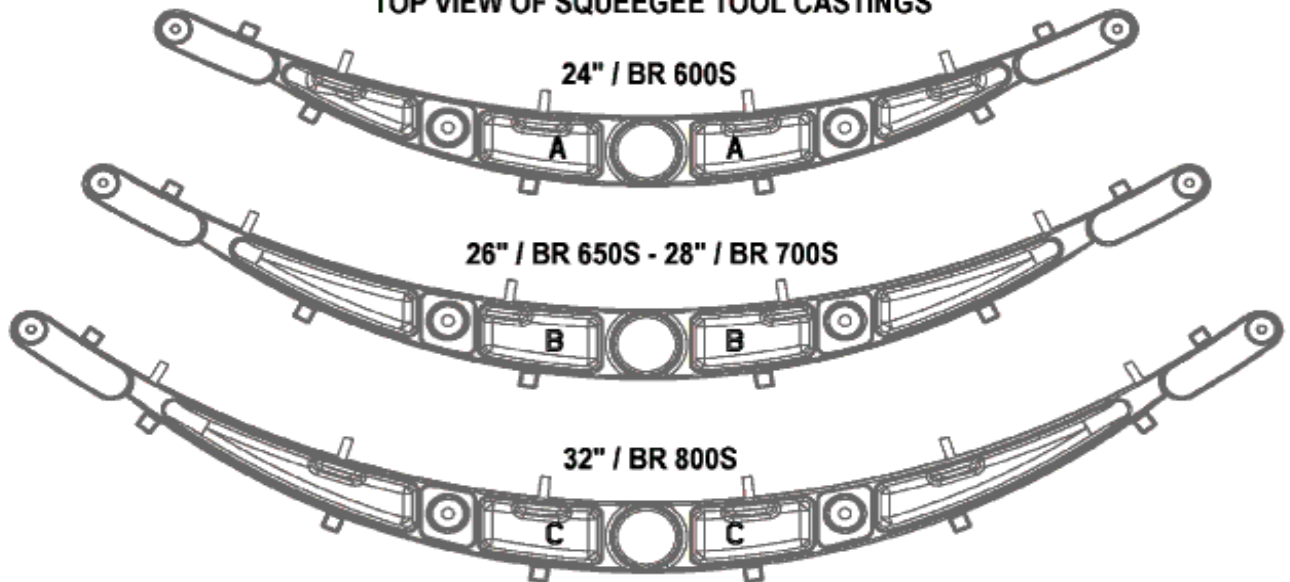
23-04-2010

Part List ID

E133133

48

TOP VIEW OF SQUEEGEE TOOL CASTINGS



Squeegee system - top view of squeegee tool ca

BR 600S/650S/700S/800S+C

23-04-2010

Part List ID

E133133

49

Pos	Part no.	Qty Description	EAN
1		1 USE LINK	

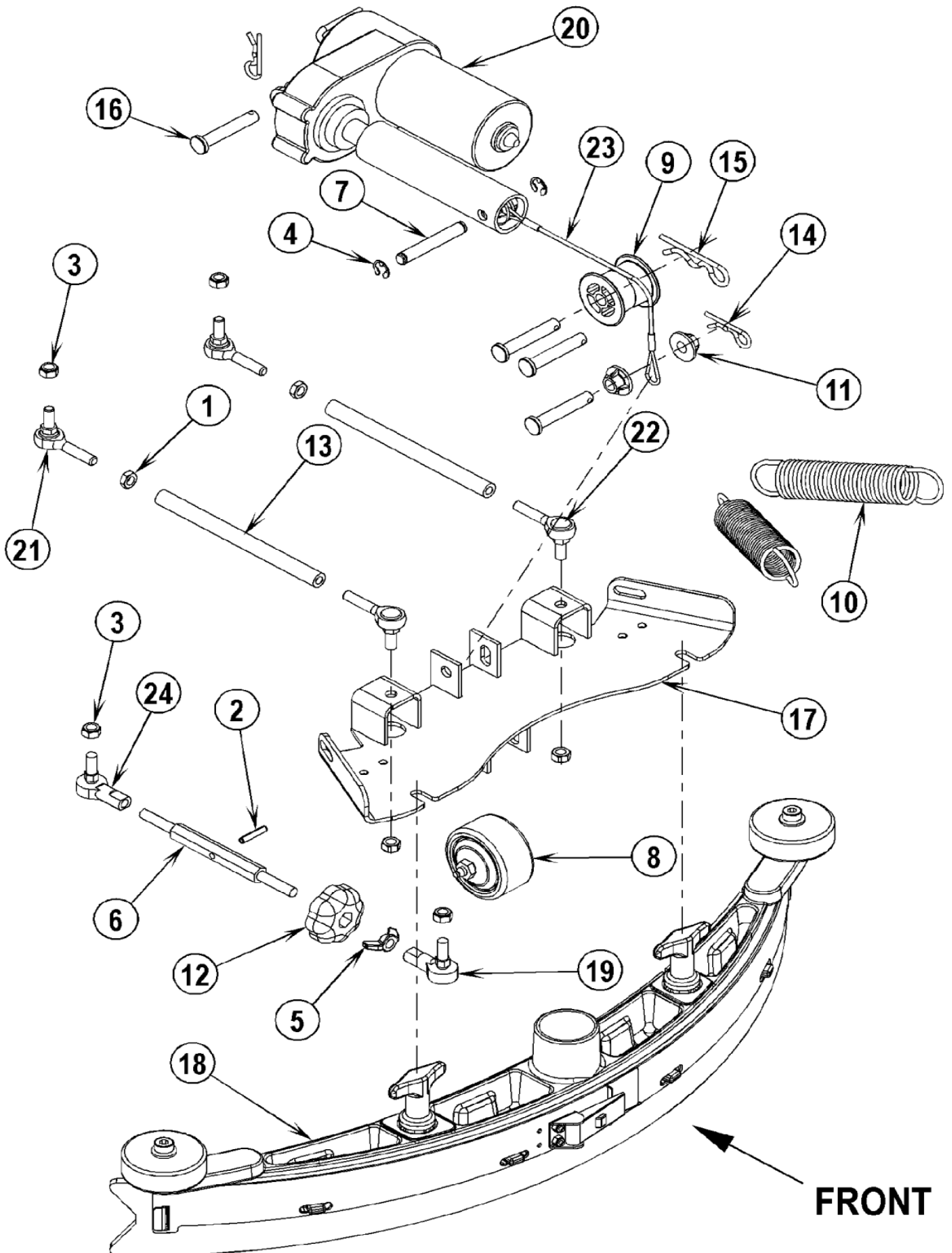
Squeegee system

BR 600S/650S/700S/800S+C

23-04-2010

Part List ID
E133134

50



Squeegee system

BR 600S/650S/700S/800S+C

23-04-2010

Part List ID
E133134

51

Pos	Part no.	Qty	Description	EAN
1	56001884	2	NUT HEX JAM 5/16 24	
2	56002082	1	PIN SPR .19 X 1.00	
3	56002950	6	NUT HEX NYL LOC 5/16 24	
4	56003262	2	RING RET EXT TYPE E	
5	56003497	1	NUT WING SS 5/16 24	
6	56412067	1	CONNECTING ROD COMPRESSION	
7	56412088	1	PIN	
8	56412124	1	WHEEL	
9	56412208	1	ROLLER	
10	56412216	2	SPRING EXTENSION	
11	56412248	4	SPACER	
12	56412284	1	KNOB SQUEEGEE ADJUST	
13	56412314	2	CONNECTING ROD	
14	56003222	2	PIN COT HAIR .125 X DIA.50/.75	
15	56003223	1	PIN COT HAIR.148 X DIA.62/1.00	
16	56003656	4	CLEVIS PIN .375 X 2.25	
17	56314023	1	SQUEEGEE MOUNT WELDMENT	
18	56314020	1	SQUEEGEE ASSEMBLY	BR 600S, 650S - NOTE 1
18	56314118	1	ACTUATOR MOTOR 36V	NOTE 2
18	56314327	1	SQUEEGEE ASSEMBLY 24	NOTE 1
18	56314358	1	SQUEEGEE ASSEMBLY 32	BR 700S, 800S - NOTE 1
18	56314710	1	KIT CONTROL & ACTUATOR UPDATE	NOTE 2
18	56397230	1	ACTUATOR MOTOR 36V	NOTE 2
19	56395755	1	ROD END	
20	56397230	1	ACTUATOR MOTOR 36V	M2 - NOTE 2 TSBUS2004-864
21	56412312	2	ROD END 5/16 R.H.	
22	56412313	2	ROD END 5/16 L.H.	
23	56412340	1	CABLE ASSEMBLY	
24	56477756	1	ROD END	

NOTE 1: BR 600S models before SN 1819567 used Squeegee Assy 56314327, after SN use Squeegee Assy 56314020. If replacing squeegee 56314327 with 56314020 on either one of these two models (SN before 1819567) the Squeegee Stop Bracket needs to be set at the "N" position. See TSBUS2005-891.

BR 700S models before SN 1819567 used Squeegee Assy 56314020, after SN use Squeegee Assy 56314358. If replacing squeegee 56314020 with 56314358 on either one of these two models (SN before 1819567) the Squeegee Stop Bracket needs to be set at the "N" position. See TSBUS2005-891.

NOTE 2: From August of 2003 through March 1, 2004 Squeegee Lift Actuator 56314118 was used. All machines built prior to August 2003 and shipped after March 1, 2004 use Actuator 56397230. If you have a machine built between these two dates and are experiencing control panel circuit board or squeegee lift actuator problems you should order Control & Actuator Update Kit, part number 56314710.

Squeegee system - IN - OUT position

BR 600S/650S/700S/800S+C

23-04-2010

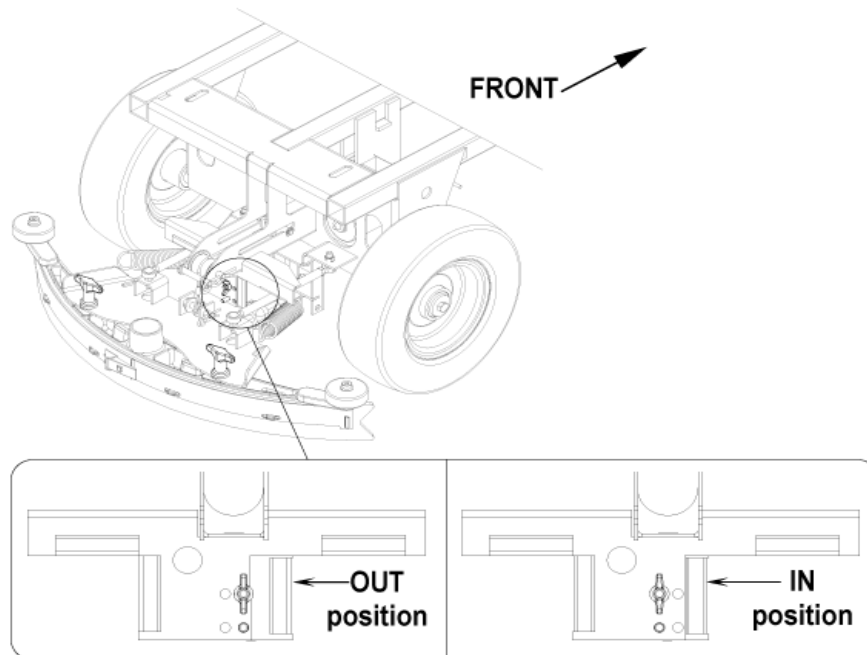
Part List ID
E133135

52

NOTE 1: BR 600S models before SN 1819567 used Squeegee Assy 56314327, after SN use Squeegee Assy 56314020. If replacing squeegee 56314327 with 56314020 on either one of these two models (SN before 1819567) the Squeegee Stop Bracket needs to be set at the "IN" position. See **TSBUS2005-891**.

BR 700S models before SN1819567 used Squeegee Assy 56314020, after SN use Squeegee Assy 56314358. If replacing squeegee 56314020 with 56314358 on either one of these two models (SN before 1819567) the Squeegee Stop Bracket needs to be set at the "IN" position. See **TSBUS2005-891**.

NOTE 2: From August of 2003 through March 1, 2004 Squeegee Lift Actuator 56314118 was used. All machines built prior to August 2003 and shipped after March 1, 2004 use Actuator 56397230. If you have a machine built between these two dates and are experiencing control panel circuit board or squeegee lift actuator problems you should order **Control & Actuator Update Kit, part number 56314710**.



Squeegee system - IN - OUT position

BR 600S/650S/700S/800S+C

23-04-2010

Part List ID E133135

53

Pos	Part no.	Qty	Description	EAN
1		1	USE LINK	

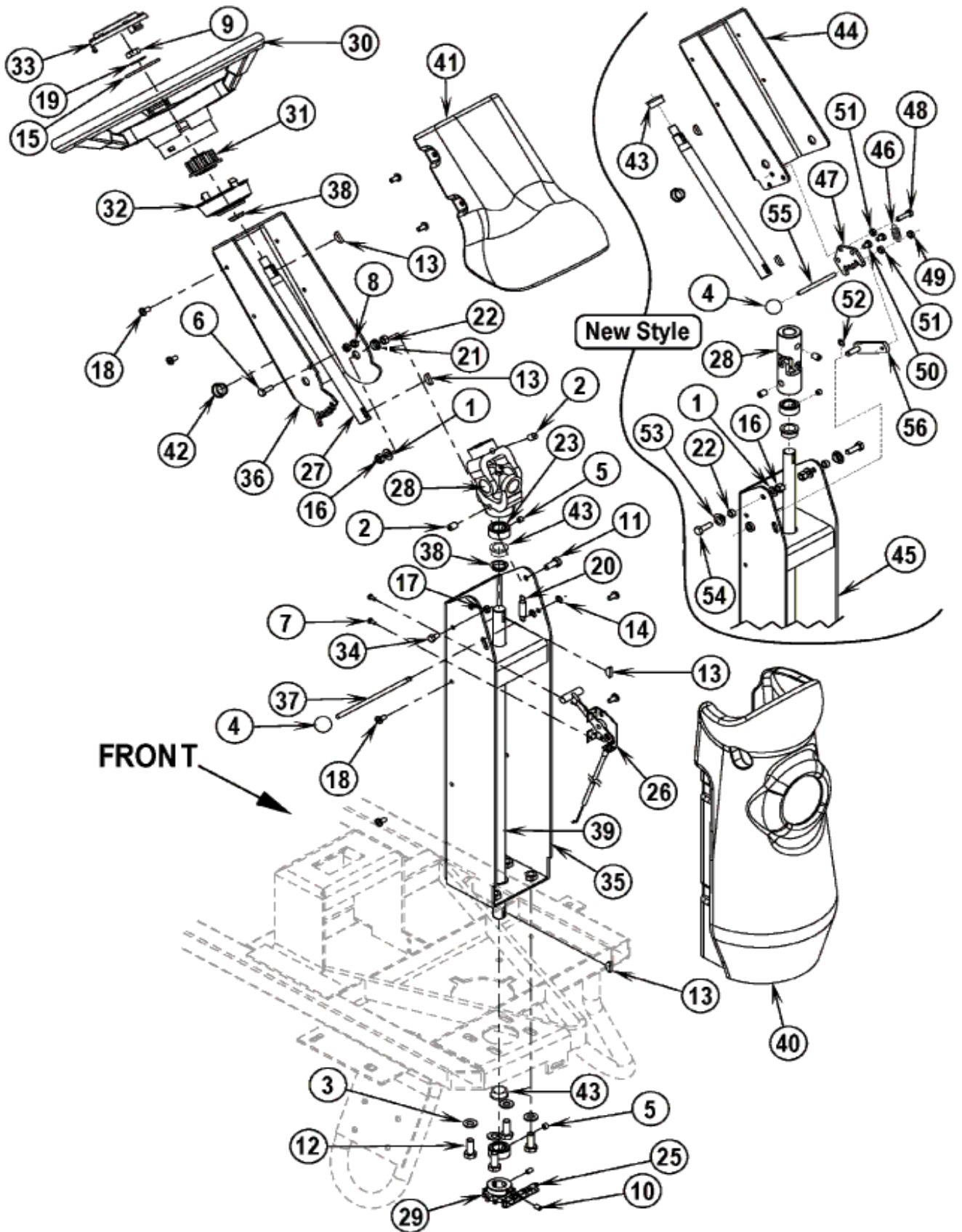
Steering column assembly

BR 600S/650S/700S/800S+C

23-04-2010

Part List ID
E133137

54



Steering column assembly

BR 600S/650S/700S/800S+C

23-04-2010

Part List ID
E133137

55

Pos	Part no.	Qty	Description	EAN
1	56001939	2	WSH FLT SAE 5/16	
2	56001958	2	SCR SOC SET LOC 3/8 16 X .50	
3	56002063	4	WSH FLT SAE 3/8	
4	56440817	1	KNOB 1.00X1/4 20 CV429C	
5	56002086	2	SCR SOC SET LOC 5/16 18 X .25	
6	56002155	1	SCR HEX 1/4 20 X .75	NOTE 3
7	56009051	2	SCR PAN PHIL THD FORM 8 32X.38	NOTE 5
8	56002840	2	NUT HEX NYL LOC THIN 1/4 20	NOTE 3
9	56002843	1	NUT HEX NYL LOC THIN 1/2 13	
10	56002930	2	SCR SOC SET LOC 1/4 20 X .38	
11	56003179	2	SCR HEX THD/HD M8 1.25X20MM	NOTE 3
12	56003186	4	SCR HEX THD/HD M10 1.50 X 25MM	
13	56003228	4	KEY WDF 606	
14	56003268	2	RING RET EXT TYPE E REINF	NOTE 3
15	56002228	1	WSH FLT SAE 7/8	
16	56003389	2	NUT HEX NYL LOC M8X1.25	
17	56003403	1	NUT HEX NYL LOC M6 X 1.00	NOTE 3
18	56009126	8	SCR PANPHILTHD FORM 1/4 20X.75	
19	56001879	1	WSH FLT SAE 1/2	
20	56245008	1	SPRING EXT .37X2.00FC436B	NOTE 3
21	56302164	2	NYLON BEARING	NOTE 3
22	56320595	2	BUSHING .31X.50X.28HC18M	
23	56367095	2	COLLAR SHAFT .750 CV31A	
25	56412198	1	CHAIN ROLLER 2 LINKS W/CHAIN	
26	56412281	1	SOLUTION CONTROL CABLE	NOTE 5
27	56420059	1	UPPER STEERING SHAFT	
28	56454081	1	U JOINT	
29	56471148	1	SPROCKET H40B11 RE188C	
30	56497306	1	STEERING WHEEL	
31	56497560	1	ADAPTER	
32	56497308	1	CUP	
33	56497543	1	CAP	
34	56003155	1	SCR HEX M6 1.0 X 12MM	NOTE 3
35	56314877	1	LOWER COLUMN WELDMENT	NOTE 2 TSBUS2005-887 NOTE 3

NOTE 1: Used on machines built before serial number chart. Pos. 35 PN: 56314048

NOTE 2: Used on machines built after serial number chart. Pos. 35 PN: 56314877 and pos. 43

NOTE 1 & 2 SERIAL NUMBER CHART:

1796877 - BR 600S

1796885 - BR 700S

1796896 - BR 800S

1796903 - BR 700SC

1796906 - BR 800SC

NOTE 3: Used on machines built before serial number 1942864. Pos. 6, 8, 11, 14, 17, 20, 34, 35 PN:

56314877, 36,37,38,

NOTE 4: Used on machines built after serial number 1942863. Pos. 44, 45, 46, 47, 48, 49, 50, 51, 52, 53, 54, 55 and 56

NOTE 5: Not used on AXP/EDS models.

Steering column assembly

BR 600S/650S/700S/800S+C

23-04-2010

Part List ID
E133137

56

Pos	Part no.	Qty	Description	EAN
36	56314093	1	STEERING COLUMN	NOTE 3
37	56314094	1	ROD STEERING LOCK	NOTE 3
38	56314148	3	BEARING NYLINER	(qty of 1 after serial number chart) TSBUS2005-887
39	56314195	1	SHAFT LOWER STEERING	
40	56314295	1	SHROUD LOWER COLUMN	
41	56314296	1	SHROUD UPPER COLUMN	
42	56900041	1	PLUG CAP E00046	
43	56250414	2	BEARING FLANGE .752FA 1J E00201	NOTE 2 TSBUS2005-887 (qty of 3 after serial number)
46	56305072	1	SPRING EXTENSION .075	NOTE 4
47	56413658	1	RATCHET STEERING COLUMN	NOTE 4
48	56002093	1	SCR HEX 1/4 20 X 1.00	NOTE 4
49	56002840	1	NUT HEX NYL LOC THIN 1/4 20	NOTE 4
50	56003039	2	SCR HEX LOC 1/4 20 X .50	NOTE 4
51	56003145	2	NUT HEX JAM SS 1/4 20	NOTE 4
52	56003261	1	RING RET EXT TYPE E	NOTE 4
54	56003436	2	SCR HEX SS M8 1.25X25MM	NOTE 4
55	56413664	1	ROD	NOTE 4

NOTE 1: Used on machines built before serial number chart. Pos. 35 PN: 56314048

NOTE 2: Used on machines built after serial number chart. Pos. 35 PN: 56314877 and pos. 43

NOTE 1 & 2 SERIAL NUMBER CHART:

1796877 - BR 600S

1796885 - BR 700S

1796896 - BR 800S

1796903 - BR 700SC

1796906 - BR 800SC

NOTE 3: Used on machines built before serial number 1942864. Pos. 6, 8, 11, 14, 17, 20, 34, 35 PN:

56314877, 36,37,38,

NOTE 4: Used on machines built after serial number 1942863. Pos. 44, 45, 46, 47, 48, 49, 50, 51, 52, 53, 54, 55 and 56

NOTE 5: Not used on AXP/EDS models.

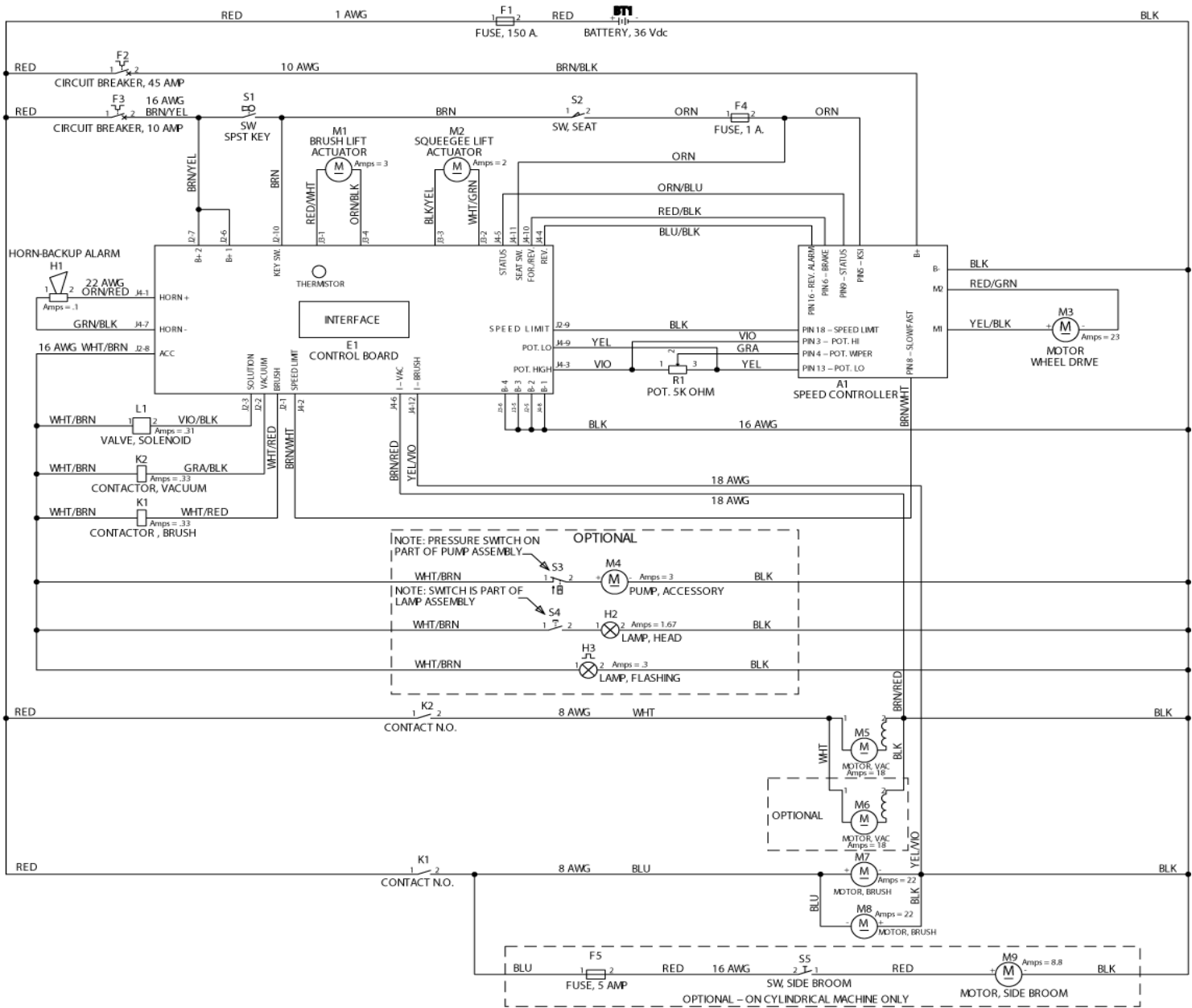
Wiring diagram before SN chart

BR 600S/650S/700S/800S+C

23-04-2010

Part List ID
E133141

57



Wiring diagram before SN chart

BR 600S/650S/700S/800S+C

23-04-2010

Part List ID
E133141

58

Pos	Part no.	Qty	Description	EAN
A 1	56314067	1	CONTROLLER SPEED	
E1	56314072	1	DISPLAY PANEL ASSEMBLY	(before TSBUS2006-922)
E1	56314713	1	PANEL ASSY SCRUBBER	TSBUS2006-932 - not shown
E1	56316109	1	CONTROL PANEL ASSEMBLY	(after TSBUS2006-943)
E1	56396188	1	SWITCH KEY	Not shown
E1	56396189	1	KEY SPARE	Not shown
F1	56412089	1	FUSE 150 AMP	
F2	56364294	1	CIRCUIT BREAKER 45A	
F3	56387316	1	CIRCUIT BREAKER 10A	
F4		1	NOTE COMMENT	Fuse, 1 amp - Not available 5701715456
F5		1	NOTE COMMENT	Fuse, 5 amp (Side broom - optional) - Not availabl 5701715456
H1	56412177	1	HORN BACKUP ALARM	
H3	56416433	1	STROBE	
K1	56395455	1	CONTACTOR 36 VOLT 100 AMP	
K2	56395453	1	CONTACTOR 36 VOLT 200 AMP	
L1	56397215	1	SOLUTION VALVE ASSY.	
M1	56388520	1	NUT PLASTIC	Not shown
M1	56393303	1	ACTUATOR	
M2	56397230	1	ACTUATOR MOTOR 36V	TSBUS2004-864
M3	56314268	1	MOTOR/DRIVE WHEEL ASSY	TSBUS2004-869, TSBUS2008-1004
M3	56314269	1	DRIVE WHEEL W/MOUNTING SCREWS	Not shown
M3	56314282	1	BRAKE BAR WELDMENT	Not shown
M3	56314289	1	BRAKE BAND	Not shown
M3	56314920	1	KIT DRIVE WHEEL HARNESS	TSBUS2004-869 - not shown
M3	56412320	1	BRUSH COVER KIT X4	Not shown
M3	56412321	1	SEALING RING	Not shown
M3	56412322	1	BALL BEARING GEARBOX SIDE	Not shown
M3	56412323	1	BALL BEARING BRUSH SIDE	Not shown
M3	56412325	1	BRUSH KIT	Not shown
M3	56412339	1	DRIVE WHEEL W/BOLTS	Optional
M4	56212014	1	PUMP DC 36V BY PASS	
M5	56212223	1	CARBON BRUSH SET	Not shown
M5	56410065	1	VAC MOTOR ASSY	
M6	56212223	1	CARBON BRUSH SET	
M6	56397228	1	MOTOR VAC 36VDC	
M7	56314139	1	MOTOR GEARBOX ASSY 24	
M7	56314140	1	MOTOR GEARBOX ASSY 26	
M7	56314141	1	MOTOR GEARBOX ASSY 28	

Wiring diagram for Machines built before this Serial Number Chart:

BR600S-1837616
 BR700S-1837623
 BR800S-1839156
 BR600SC-1837650
 BR700SC-1837652
 BR800SC-1839732

Wiring diagram before SN chart

BR 600S/650S/700S/800S+C

23-04-2010

Part List ID E133141

59

Pos	Part no.	Qty	Description		EAN
M7	56314335	1	MOTOR GEARBOX ASSY 32		
M7	56314359	2	KEY 6MM SQUARE	Not shown	
M7	56314499	2	COVER GEARBOX	Not shown	
M7	56314560	2	MOTOVARIO GEARBOX	Not shown	
M7	56314580	1	BALL BEARING OUTPUT SIDE	Not shown	
M7	56314583	4	BRUSH	Not shown	
M7	56407431	1	MOTOR 36VDC .75HP	TSBUS2004-868	
M7	56407492	1	BRUSH CAP ASSY	Not shown	
M7	56407493	4	BRUSH ASSY SOLD INDIVIDUALLY	Not shown	
M7	56407494	4	BRUSH COVER CAP	Not shown	
M7	56410183	1	BEARING F.E.		
M7	56412323	1	BALL BEARING BRUSH SIDE		
M8	56407431	1	MOTOR 36VDC .75HP	TSBUS2004-868	
M8	56407492	1	BRUSH CAP ASSY		
M8	56407493	1	BRUSH ASSY SOLD INDIVIDUALLY		
M8	56407494	1	BRUSH COVER CAP		
M8	56410183	1	BEARING F.E.	Not shown	
M9	56469530	1	MOTOR ASSY. 24VOLT		
R1	56454740	1	POTENTIOMETER 5K		
S1	56396188	1	SWITCH KEY		
S1	56396189	1	KEY SPARE	Not shown	
S2	56409613	1	SWITCH SEAT		
S3		1	NOTE COMMENT	Not available	5701715456
S4		1	NOTE COMMENT	Not available	5701715456
S5	56372088	1	SWITCH WATERPROOF		
BT1		1	NOTE COMMENT	Battery - Not available	5701715456

Wiring diagram for Machines built before this Serial Number Chart:

BR600S-1837616
 BR700S-1837623
 BR800S-1839156
 BR600SC-1837650
 BR700SC-1837652
 BR800SC-1839732

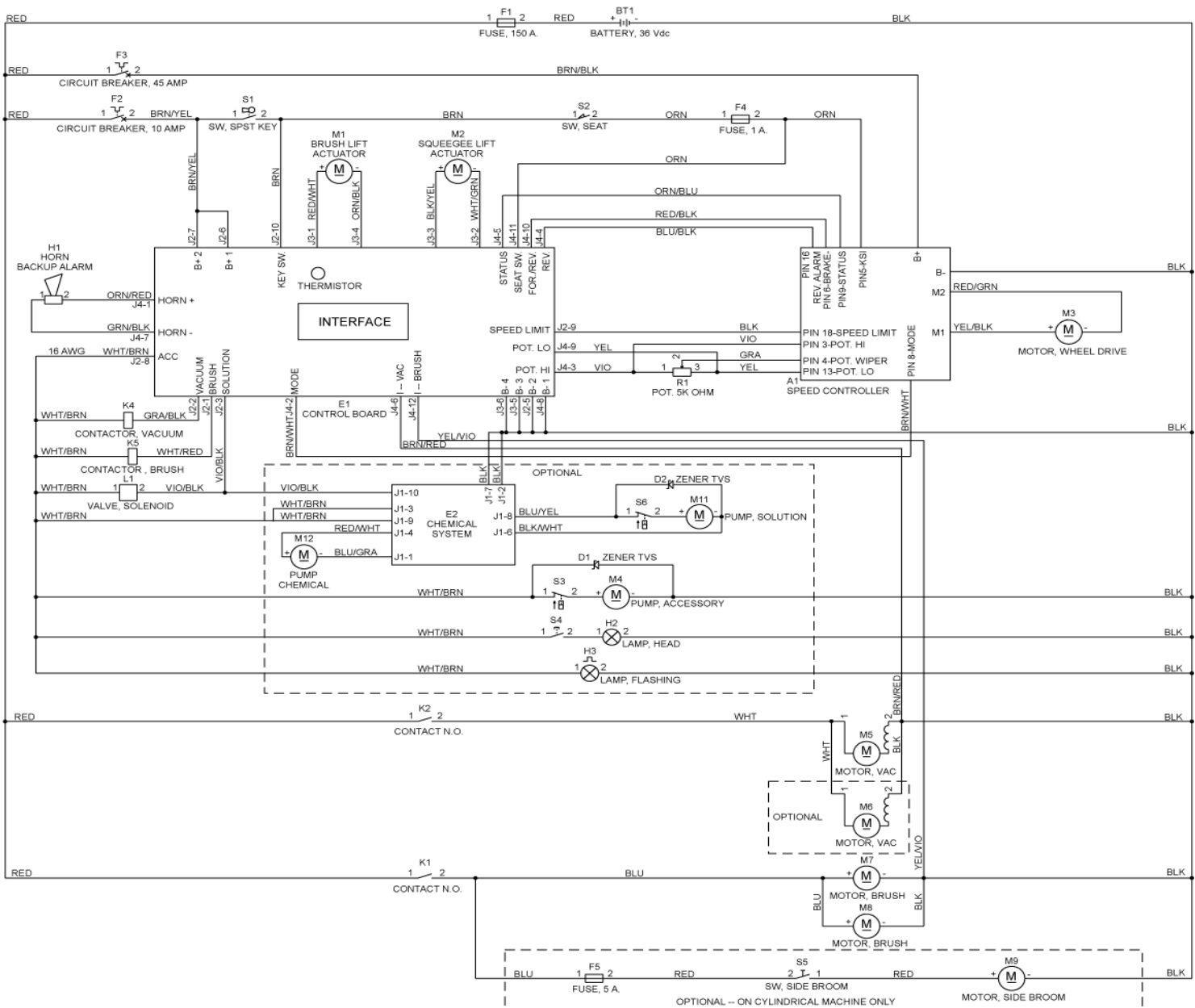
Wiring diagram after SN chart

BR 600S/650S/700S/800S+C

23-04-2010

Part List ID
E133143

60



Wiring diagram after SN chart

BR 600S/650S/700S/800S+C

23-04-2010

Part List ID
E133143

61

Pos	Part no.	Qty	Description	EAN
A 1	56314067	1	CONTROLLER SPEED	
E1	56314072	1	DISPLAY PANEL ASSEMBLY	(before TSBUS2006-922)
E1	56314713	1	PANEL ASSY SCRUBBER	Not shown
E1	56316109	1	CONTROL PANEL ASSEMBLY	(after TSBUS2006-943)
E1	56396188	1	SWITCH KEY	Not shown
E1	56396189	1	KEY SPARE	Not shown
F1	56412089	1	FUSE 150 AMP	
F2	56364294	1	CIRCUIT BREAKER 45A	
F3	56387316	1	CIRCUIT BREAKER 10A	
F4		1	NOTE COMMENT	Fuse, 1 Amp - Not available 5701715456
F5		1	NOTE COMMENT	Fuse, 5 Amp (Side broom - optional) Not available 5701715456
H1	56412177	1	HORN BACKUP ALARM	
H3	56416433	1	STROBE	
K1	56395455	1	CONTACTOR 36 VOLT 100 AMP	
K2	56395453	1	CONTACTOR 36 VOLT 200 AMP	
L1	56397215	1	SOLUTION VALVE ASSY.	
M1	56388520	1	NUT PLASTIC	Not shown
M1	56393303	1	ACTUATOR	
M2	56397230	1	ACTUATOR MOTOR 36V	
M3	56314268	1	MOTOR/DRIVE WHEEL ASSY	
M3	56314269	1	DRIVE WHEEL W/MOUNTING SCREWS	Not shown
M3	56314282	1	BRAKE BAR WELDMENT	Not shown
M3	56314289	1	BRAKE BAND	Not shown
M3	56314920	1	KIT DRIVE WHEEL HARNESS	Not shown
M3	56412320	1	BRUSH COVER KIT X4	Not shown
M3	56412321	1	SEALING RING	Not shown
M3	56412322	1	BALL BEARING GEARBOX SIDE	Not shown
M3	56412323	1	BALL BEARING BRUSH SIDE	Not shown
M3	56412325	1	BRUSH KIT	Not shown
M3	56412339	1	DRIVE WHEEL W/BOLTS	Optional
M4	56212014	1	PUMP DC 36V BY PASS	
M5	56212223	1	CARBON BRUSH SET	Not shown
M5	56410065	1	VAC MOTOR ASSY	
M6	56212223	1	CARBON BRUSH SET	Not shown
M6	56410065	1	VAC MOTOR ASSY	Optional
M7	56314139	1	MOTOR GEARBOX ASSY 24	
M7	56314140	1	MOTOR GEARBOX ASSY 26	
M7	56314141	1	MOTOR GEARBOX ASSY 28	

Wiring diagram for Machines built after this Serial Number Chart

BR600S-1837616
 BR700S-1837623
 BR800S-1839156
 BR600SC-1837650
 BR700SC-1837652
 BR800SC-1839732

Wiring diagram after SN chart

BR 600S/650S/700S/800S+C

23-04-2010

Part List ID
E133143

62

Pos	Part no.	Qty	Description		EAN
M7	56314335	1	MOTOR GEARBOX ASSY 32		
M7	56314359	2	KEY 6MM SQUARE	Not shown	
M7	56314499	2	COVER GEARBOX	Not shown	
M7	56314560	2	MOTOVARIO GEARBOX	Not shown	
M7	56314580	1	BALL BEARING OUTPUT SIDE	Not shown	
M7	56314583	4	BRUSH	Not shown	
M7	56407431	1	MOTOR 36VDC .75HP	TSBUS2004-868	
M7	56407492	1	BRUSH CAP ASSY	Not shown	
M7	56407493	4	BRUSH ASSY SOLD INDIVIDUALLY	Not shown	
M7	56407494	4	BRUSH COVER CAP	Not shown	
M7	56410183	1	BEARING F.E.	Not shown	
M7	56412323	1	BALL BEARING BRUSH SIDE	Not shown	
M8	56407431	1	MOTOR 36VDC .75HP	TSBUS2004-868	
M8	56407492	1	BRUSH CAP ASSY	For 56407431 - Not shown	
M8	56407493	1	BRUSH ASSY SOLD INDIVIDUALLY	For 56407431 - Not shown	
M8	56407494	1	BRUSH COVER CAP	For 56407431 - Not shown	
M8	56410183	1	BEARING F.E.	For 56407431 - Not shown	
M9	56469530	1	MOTOR ASSY. 24VOLT		
R1	56454740	1	POTENTIOMETER 5K		
S1	56396188	1	SWITCH KEY		
S1	56396189	1	KEY SPARE	Not shown	
S2	7-82-00050	1	SWITCH SEAT		5701715332
S3		1	NOTE COMMENT	Part of M4	5701715456
S4		1	NOTE COMMENT	Part of H2	5701715456
S5	56372088	1	SWITCH WATERPROOF		
BT1		1	NOTE COMMENT	Battery - Not available	5701715456
M11	56212014	1	PUMP DC 36V BY PASS	(Detergent Injection only)	
M12	56314984	1	PUMP DETERGENT	(Detergent Injection only)	

Wiring diagram for Machines built after this Serial Number Chart

BR600S-1837616
 BR700S-1837623
 BR800S-1839156
 BR600SC-1837650
 BR700SC-1837652
 BR800SC-1839732

Brush selector guide disk

BR 600S/650S/700S/800S+C

23-04-2010

Part List ID

E133144

64

Pos	Part no.	Qty	Description	EAN
1	56505750	1	PAD HOLDER 12 3 LUG	
2	56505195	1	PAD RETAINER	
3	56505751	1	DISC BRUSH 12 MAGNAGRIT 3 LUG	
4	56505752	1	DISC BRUSH 12 DYNAGRIT 3 LUG	
5	56505753	1	DISC BRUSH 12 AGLITE 3 LUG	
6	56505754	1	DISC BRUSH 12 PROLENE 3 LUG	
7	56505755	1	DISC BRUSH 12 PROLITE 3 LUG	
8	56505756	1	DISC BRUSH 12 UNION MIX 3 LUG	
9	56505757	1	DISC BRUSH 12 MIDGRIT 3 LUG	
10	56505758	1	DISC BRUSH 12 MIDLITE 3 LUG	
11	56505760	1	PAD HOLDER 13 3 LUG	
12	56505195	1	PAD RETAINER	
13	56505761	1	DISC BRUSH 13 MAGNAGRIT 3 LUG	
14	56505762	1	DISC BRUSH 13 DYNAGRIT 3 LUG	
15	56505763	1	DISC BRUSH 13 AGLITE 3 LUG	
16	56505764	1	DISC BRUSH 13 PROLENE 3 LUG	
17	56505765	1	DISC BRUSH 13 PROLITE 3 LUG	
18	56505766	1	DISC BRUSH 13 UNION MIX 3 LUG	
19	56505767	1	DISC BRUSH 13 MIDGRIT 3 LUG	
20	56505768	1	DISC BRUSH 13 MIDLITE 3 LUG	
21	56505800	1	PAD HOLDER 14 3 LUG	
22	56505195	1	PAD RETAINER	
23	56505801	1	DISC BRUSH 14 MAGNAGRIT 3 LUG	
24	56505802	1	DISC BRUSH 14 DYNAGRIT 3 LUG	
25	56505803	1	DISC BRUSH 14 AGLITE 3 LUG	
26	56505804	1	DISC BRUSH 14 PROLENE 3 LUG	
27	56505805	1	DISC BRUSH 14 PROLITE 3 LUG	
28	56505806	1	DISC BRUSH 14 UNION MIX 3 LUG	
29	56505807	1	DISC BRUSH 14 MIDGRIT 3 LUG	
30	56505808	1	DISC BRUSH 14 MIDLITE 3 LUG	
31	56505830	1	PAD HOLDER 16 3 LUG	
32	56505195	1	PAD RETAINER	
33	56505831	1	DISC BRUSH 16 MAGNAGRIT 3 LUG	
34	56505832	1	DISC BRUSH 16 DYNAGRIT 3 LUG	
35	56505833	1	DISC BRUSH 16 AGLITE 3 LUG	
36	56505834	1	DISC BRUSH 16 PROLENE 3 LUG	
37	56505835	1	DISC BRUSH 16 PROLITE 3 LUG	
38	56505836	1	DISC BRUSH 16 UNION MIX 3 LUG	
39	56505837	1	DISC BRUSH 16 MIDGRIT 3 LUG	

Note:

Pos. no.: 1-10 - 28 - Brushes

Pos. no.: 11-20 - 32 - Brushes

Pos. no.: 21-30 - 35 - Brushes

Pos. no.: 31-40 - 38 - Brushes

Brush selector guide disk

BR 600S/650S/700S/800S+C

23-04-2010

Part List ID E133144

65

Pos	Part no.	Qty	Description	EAN
40	56505838	1	DISC BRUSH 16 MIDLITE 3 LUG	

Note:

- Pos. no.: 1-10 - 28 - Brushes
- Pos. no.: 11-20 - 32 - Brushes
- Pos. no.: 21-30 - 35 - Brushes
- Pos. no.: 31-40 - 38 - Brushes

Brush selector guide cylindrical

BR 600S/650S/700S/800S+C

23-04-2010

Part List ID
E133145

66

We provide brushes and pad holders that will give you the best possible performance between machine and floor. Following are descriptions of the materials and their applications.

- 46 Grit Brush: Most aggressive grit brush. Used primarily to clean heavy buildup on concrete floors in factories, or for heavy stripping of finish.
- 80 Grit Brush: Medium aggressive grit brush. Good all-around brush for medium to heavy buildup removal. Can also be used for general stripping operations.
- 180 Grit Brush: Least aggressive grit brush. Used for daily cleaning of hard-finished floors.
- Polypropylene Brush: Standard equipment brush. Low cost, yet effective in cleaning many common floor surfaces.
- Stiff Nylon Brush: Cleaning action similar to polypropylene. More durable and wear-resistant than polypropylene.
- Soft Nylon Brush: Least aggressive brush available. Used on soft-finish floors where a more aggressive brush would leave scratch marks, or in applications requiring very light cleaning.

- Ref. No.: 24" BRUSHES**
- 1 56314389 - Soft Nylon
 - 2 56314390 - Hard Nylon
 - 3 56314391 - Prolene
 - 4 56314392 - 180 Grit
 - 5 56314393 - 80 Grit
 - 6 56314394 - 46 Grit

- Ref. No.: 28" BRUSHES**
- 13 56412191 - Soft Nylon
 - 14 56412192 - Hard Nylon
 - 15 56412046 - Prolene
 - 16 56412193 - 180 Grit
 - 17 56412194 - 80 Grit
 - 18 56412195 - 46 Grit

- Ref. No.: 26" BRUSHES**
- 7 56314383 - Soft Nylon
 - 8 56314384 - Hard Nylon
 - 9 56314385 - Prolene
 - 10 56314386 - 180 Grit
 - 11 56314387 - 80 Grit
 - 12 56314388 - 46 Grit

- Ref. No.: 32" BRUSHES**
- 19 56407473 - Soft Nylon
 - 20 56407474 - Hard Nylon
 - 21 56407475 - Prolene
 - 22 56407476 - 180 Grit
 - 23 56407477 - 80 Grit
 - 24 56407478 - 46 Grit

CYLINDRICAL BRUSH APPLICATION GUIDE (SUGGESTION ONLY)

Application	46 Grit	80 Grit	180 Grit	Polypropylene	Stiff Nylon	Soft Nylon
Stripping:						
Concrete	X	X				
Terrazzo	X	X				
Ceramic/Quarry tile		X				
Vinyl tile		X				
General Scrubbing:						
Concrete	X	X	X	X	X	
Terrazzo			X	X	X	X
Ceramic/Quarry tile			X	X	X	X
Marble			X		X	X
Vinyl tile			X	X	X	X
Raised-rubber tile			X			X

Brush selector guide cylendrical

BR 600S/650S/700S/800S+C

23-04-2010

Part List ID
E133145

67

Pos	Part no.	Qty	Description	EAN
1	56314389	1	BRUSH SOFT NYLON 24 YELLOW	
2	56314390	1	BRUSH HARD NYLON 24 NATURAL	
3	56314391	1	BRUSH POLYPROPYLENE 24 RED	
4	56314392	1	BRUSH 180 GRIT 24 BLUE/GREY	
5	56314393	1	BRUSH 80 GRIT 24 BLACK	
6	56314394	1	BRUSH 46 GRIT 24 ORANGE/BROWN	
7	56314383	1	BRUSH SOFT NYLON 26 YELLOW	
8	56314384	1	BRUSH HARD NYLON 26 NATURAL	
9	56314385	1	BRUSH POLYPROPYLENE 26 RED	
10	56314386	1	BRUSH 180 GRIT 26 BLUE/GREY	
11	56314387	1	BRUSH 80 GRIT 26 BLACK	
12	56314388	1	BRUSH 46 GRIT 26 ORANGE/BROWN	
13	56412191	1	BRUSH SOFT NYLON 28 YELLOW	
14	56412192	1	BRUSH HARD NYLON 28 NATURAL	
15	56412046	1	BRUSH POLYPROPYLENE 28 RED	
16	56412193	1	BRUSH 180 GRIT 28 BLUE/GREY	
17	56412194	1	BRUSH 80 GRIT 28 BLACK	
18	56412195	1	BRUSH 46 GRIT 28 ORANG/BROWN	
19	56407473	1	BRUSH SOFT NYLON 32 YELLOW	
20	56407474	1	BRUSH HARD NYLON 32 NATURAL	
21	56407475	1	BRUSH POLYPROPYLENE 32 RED	
22	56407476	1	BRUSH 180 GRIT 32 BLUE/GREY	
23	56407477	1	BRUSH 80 GRIT 32 BLACK	
24	56407478	1	BRUSH 46 GRIT 32 ORANGE/BROWN	

Optional kits and accessories

BR 600S/650S/700S/800S+C

23-04-2010

Part List ID
E133146

68

Item	Ref. No.	Qty	Description
Common Kits			
**	56314753	1	Kit, On-Board Charger TSBUS2004-872 / TSBUS2008-984
**	56316251	1	Kit, OnBoard Charger, AGM TSBUS2008-984
**	56314301	1	Kit, Seat Armrests
**	56314302	1	Kit, Warning Beacon
**	56314306	1	Kit, Right Side Broom
**	56314308	1	Kit, Scrub-N-Vac Tool W/Pump
**	56412223	1	Kit, Vacuum Wand caddy
**	56314312	1	Kit, Seatbelt
**	56314313	1	Kit, Headlight headlight ,kit
Nil sk Only Kits			
**	56316520	1	Kit, Deck BR 600S (Nil sk only)
**	56316521	1	Kit, Deck BR 600SC (Nil sk only)
**	56316522	1	Kit, Deck BR 700S (Nil sk only)
**	56316523	1	Kit, Deck BR 700SC (Nil sk only)
**	56316186	1	Kit, Dual Vac Motor (Nil sk only)

Replacement parts for the kits listed above can be found on each kit's associated instruction sheet.

24" / BR 600S Squeegee Blade Kits			
**	56314054	1	Kit, Standard Squeegee Blade NOTE 1
**	56314055	1	Kit, Linatex Squeegee Blade NOTE 1
**	56314056	1	Kit, Neoprene Squeegee Blade NOTE 1
26" & 28" / BR 650S & BR 700S Squeegee Blade Kits			
**	56314303	1	Kit, Standard Squeegee Blade NOTE 1
**	56314304	1	Kit, Linatex Squeegee Blade NOTE 1
**#	56315854	1	Blade Kit-Squeegee PU B NOTE #1
32" / BR 800S Squeegee Blade Kits			
**	56314060	1	Kit, Standard Squeegee Blade NOTE 1
**	56314061	1	Kit, Linatex Squeegee Blade NOTE 1
**#	56315855	1	Blade Kit-Squeegee PU C NOTE #1
24" / BR 600S Disk Deck Blade Kits (Before TSBUS2004-884)			
**	56314124	1	Kit, Gum Rubber 24 Disk NOTE 2
**	56314170	1	Kit, Neoprene 24 Disk NOTE 2
**	56314395	1	Kit, Linatex 24 Disk NOTE 2
**	56315724	1	Kit, Gum Rubber NOTE 3
**	56315723	1	Kit, Red Gum Rubber NOTE 3
26" / BR 650S Disk Deck Blade Kits (Before TSBUS2004-884)			
**	56314125	1	Kit, Gum Rubber 26 Disk NOTE 2
**	56314171	1	Kit, Neoprene 26 Disk NOTE 2
**	56314396	1	Kit, Linatex 26 Disk NOTE 2
**	56315724	1	Kit, Gum Rubber NOTE 3
**	56315723	1	Kit, Red Gum Rubber NOTE 3
28" / BR 700S Disk Deck Blade Kits (Before TSBUS2004-884)			
**	56314126	1	Kit, Gum Rubber 28 Disk NOTE 2
**	56314172	1	Kit, Neoprene 28 Disk NOTE 2
**	56314397	1	Kit, Linatex 28 Disk NOTE 2
**	56315724	1	Kit, Gum Rubber NOTE 3
**	56315723	1	Kit, Red Gum Rubber NOTE 3
32" / BR 800S Disk Deck Blade Kits (Before TSBUS2004-884)			
**	56314127	1	Kit, Gum Rubber 32 Disk NOTE 2
**	56314173	1	Kit, Neoprene 32 Disk NOTE 2
**	56314398	1	Kit, Linatex 32 Disk NOTE 2
**	56315724	1	Kit, Gum Rubber NOTE 3
**	56315723	1	Kit, Red Gum Rubber NOTE 3

Optional kits and accessories

BR 600S/650S/700S/800S+C

23-04-2010

Part List ID
E133146

69

Pos	Part no.	Qty	Description	EAN
1	56314753	1	KIT ON BOARD CHR G WET 120V AC	TSBUS2004-872/TSBUS2008-984
2	56316251	1	KIT ON BOARD CHARGER AGM	TSBUS2008-984
3	56314301	1	KIT SEAT ARMRESTS	
4	56314302	1	KIT WARNING BEACON	
5	56314306	1	SIDEBROOM ACCESSORY KIT	
6	56314308	1	SCRUB N VAC TOOL KIT	
7	56412223	1	VACUUM WAND CADDY KIT	
8	56314312	1	KIT SEAT BELT	
9	56314313	1	HEADLIGHT KIT	
10	56316520	1	DECK KIT BR600S	
11	56316521	1	DECK KIT BR600CS	
12	56316522	1	DECK KIT BR700S	
13	56316523	1	DECK KIT BR700CS	
14	56316186	1	KIT DUAL VAC MOTOR NILFISK	
20	56314054	1	BLADE KIT SQUEEGEE GUM A	NOTE 1
21	56314055	1	BLADE KIT SQGEE RED GUM A	NOTE 1
22	56314056	1	BLADE KIT SQUEEGEE NEO A	NOTE 1
30	56314303	1	BLADE KIT SQUEEGEE GUM B	NOTE 1
31	56314304	1	BLADE KIT SQGEE RED GUM B	NOTE 1
32	56315854	1	BLADE KIT SQUEEGEE PU B	NOTE 1
40	56314060	1	BLADE KIT SQUEEGEE GUM C	NOTE 1
41	56314061	1	BLADE KIT SQGEE RED GUM C	NOTE 1
42	56315855	1	BLADE KIT SQUEEGEE PU C	NOTE 1
50	56314124	1	KIT GUM RUBBER 24 DISC	NOTE 2
51	56314170	1	KIT NEOPRENE 24 DISC	NOTE 2
52	56314395	1	KIT LINATEX 24 DISC	NOTE 2
53	56315724	1	BLADE KIT DISC GUM SIDE	NOTE 3
54	56315723	1	BLADE KIT DISC RED GUM SD	NOTE 3
60	56314125	1	KIT GUM RUBBER 26 DISC	NOTE 2
61	56314171	1	KIT NEOPRENE 26 DISC	NOTE 2
62	56314396	1	KIT LINATEX 26 DISC	NOTE 2
63	56315724	1	BLADE KIT DISC GUM SIDE	NOTE 3
64	56315723	1	BLADE KIT DISC RED GUM SD	NOTE 3
70	56314126	1	KIT GUM RUBBER 28 DISC	NOTE 2
71	56314172	1	KIT NEOPRENE 28 DISC	NOTE 2
72	56314397	1	KIT LINATEX 28 DISC	NOTE 2
73	56315724	1	BLADE KIT DISC GUM SIDE	NOTE 3
74	56315723	1	BLADE KIT DISC RED GUM SD	NOTE 3
80	56314127	1	KIT GUM RUBBER 32 DISC	NOTE 2

All Items is Optional, Not Included

NOTE 1: All squeegee blade kits include both front and rear squeegee blades.

NOTE 2: Disk Deck Blade Kits include required mounting fasteners (Rivet, Nylon Tree Push-In 56003263), the 2 blades (forward and rear) for the deck and all skirt assembly blades.

NOTE 3: These Disk Deck Blade Kits include just the blades for use in the two Skirt Assemblies.

Optional kits and accessories

BR 600S/650S/700S/800S+C

23-04-2010

Part List ID E133146

70

Pos	Part no.	Qty	Description	EAN
81	56314173	1	KIT NEOPRENE 32 DISC	NOTE 2
82	56314398	1	KIT LINATEX 32 DISC	NOTE 2
83	56315724	1	BLADE KIT DISC GUM SIDE	NOTE 3
84	56315723	1	BLADE KIT DISC RED GUM SD	NOTE 3

All Items is Optional, Not Included

NOTE 1: All squeegee blade kits include both front and rear squeegee blades.

NOTE 2: Disk Deck Blade Kits include required mounting fasteners (Rivet, Nylon Tree Push-In 56003263), the 2 blades (forward and rear) for the deck and all skirt assembly blades.

NOTE 3: These Disk Deck Blade Kits include just the blades for use in the two Skirt Assemblies.

Optional kits and accessories

BR 600S/650S/700S/800S+C

23-04-2010

Part List ID
E133147

71

Item	Ref. No.	Qty	Description
------	----------	-----	-------------

24" / BR 600S Disk Deck Blade Kits (After TSBUS2004-884)

**	56314911	1	Kit, Gum Rubber 24 Disk NOTE 2
**	56314915	1	Kit, Linatex 24 Disk NOTE 2
**	56315722	1	Kit, Gum Rubber NOTE 3
**	56315721	1	Kit, Red Gum Rubber NOTE 3

26" / BR 650S Disk Deck Blade Kits (After TSBUS2004-884)

**	56314912	1	Kit, Gum Rubber 26 Disk NOTE 2
**	56314916	1	Kit, Linatex 26 Disk NOTE 2
**	56315722	1	Kit, Gum Rubber NOTE 3
**	56315721	1	Kit, Red Gum Rubber NOTE 3

28" / BR 700S Disk Deck Blade Kits (After TSBUS2004-884)

**	56314913	1	Kit, Gum Rubber 28 Disk NOTE 2
**	56314917	1	Kit, Linatex 28 Disk NOTE 2
**	56315722	1	Kit, Gum Rubber NOTE 3
**	56315721	1	Kit, Red Gum Rubber NOTE 3

32" / BR 800S Disk Deck Blade Kits (After TSBUS2004-884)

**	56314914	1	Kit, Gum Rubber 32 Disk NOTE 2
**	56314918	1	Kit, Linatex 32 Disk NOTE 2
**	56315722	1	Kit, Gum Rubber NOTE 3
**	56315721	1	Kit, Red Gum Rubber NOTE 3

Nil sk Optional Batteries

**	L00200025	1	Battery Complete, 36V, 240A/H (Nil sk only)
**	L00210019	1	Battery Complete, 36V, 220A/H (Nil sk only)
**	80566600	1	Battery Complete, 36V, 180A/H (set of 6) (Nil sk only)
**	80567900	1	Battery Complete, 36V, 255A/H (set of 6) (Nil sk only)
**	80564000	6	Battery, 36V, 180A/H (Nil sk only)
**	80565000	6	Battery, 36V, 255A/H (Nil sk only)

Nil sk Optional Battery Chargers

**	L00173642	A/R	Battery Charger-UK, 36VDC, Auto, 40Amp, 230VAC/50HZ (used on L00200025, 80567900, 80565000) (Nil sk only)
**	80569100	A/R	Battery Charger-UK, 36VDC, Auto, 20Amp, 230VAC/50HZ (used on L00210019, 80566600, 80564000) (Nil sk only)
**	L00193642	A/R	Battery Charger-EU, 36VDC, Auto, 40Amp, 230VAC/50HZ (used on L00200025, 80567900, 80565000) (Nil sk only)
**	80569000	A/R	Battery Charger-EU, 36VDC, Auto, 20Amp, 230VAC/50HZ (used on L00210019, 80566600, 80564000) (Nil sk only)

Common Accessories

**	56409441	A/R	Programmer, 1311 User
**	56409823	A/R	Programmer Cable

Nil sk Only Accessories

**#	56044330	A/R	Literature Pack
-----	----------	-----	-----------------

** = Optional, Not Included

= Revised or new since last update

NOTE 1: All squeegee blade kits include both front and rear squeegee blades.

NOTE 2: Disk Deck Blade Kits include required mounting fasteners (Rivet, Nylon Tree Push-In 56003263), the 2 blades (forward and rear) for the deck and all skirt assembly blades.

NOTE 3: These Disk Deck Blade Kits include just the blades for use in the two Skirt Assemblies.

Optional kits and accessories

BR 600S/650S/700S/800S+C

23-04-2010

Part List ID E133147

72

Pos	Part no.	Qty	Description	EAN
1	56314911	1	BLADE KIT DISC GUM 24	NOTE 2
2	56314915	1	BLADE KIT DISC RED GUM 24	NOTE 2
3	56315722	1	BLADE KIT DISC GUM SIDE	NOTE 3
4	56315721	1	BLADE KIT DISC RED GUM SD	NOTE 3
10	56314912	1	BLADE KIT DISC GUM 26	NOTE 2
11	56314916	1	BLADE KIT DISC RED GUM 26	NOTE 2
12	56315722	1	BLADE KIT DISC GUM SIDE	NOTE 3
13	56315721	1	BLADE KIT DISC RED GUM SD	NOTE 3
20	56314913	1	BLADE KIT DISC GUM 28	NOTE 2
21	56314917	1	KIT LINA TEK 28 DISK	NOTE 2
22	56315722	1	BLADE KIT DISC GUM SIDE	NOTE 3
23	56315721	1	BLADE KIT DISC RED GUM SD	NOTE 3
30	56314914	1	BLADE KIT DISC GUM 32	NOTE 2
31	56314918	1	KIT LINA TEX 32 DISK	NOTE 2
32	56315722	1	BLADE KIT DISC GUM SIDE	NOTE 3
33	56315721	1	BLADE KIT DISC RED GUM SD	NOTE 3
40	L00200025	1	BATT.36V-240AH WET TRAY WITH AQUAMATIC	
41	L00210019	1	BATT.36V-220AH GEL SINGLE CELLS IN TRAY	
42	80566600	1	6 PCS BATTERIER 3 DF 180	
43	80567900	1	BATTERY FF 06 PCS 255	
44	80564000	6	BATT. 6V-180AH GEL MONOBLOC	
45	80565000	6	BATT. 6V-255AH WET SEMI T MONOBLOC	
50	L00173642	1	CHARGER 36V-40A CPL-UK-SB175G	
51	80569100	1	CHARGER 36V-20A HF/CPL-UK-SB175G	
52	L00193642	1	CHARGER 36V-40A CPL-EU-SB175G	
53	80569000	1	CHARGER 36V-20A HF/CPL-EU-SB175G	
60	56409441	1	PROGRAMMER 1311NP USER	
61	56409823	1	PROGRAMMER CABLE	
70	56044330	1	LITERATURE PACK	

All parts is Optional, Not Included

NOTE 1: All squeegee blade kits include both front and rear squeegee blades.

NOTE 2: Disk Deck Blade Kits include required mounting fasteners (Rivet, Nylon Tree Push-In 56003263), the 2 blades (forward and rear) for the deck and all skirt assembly blades.

NOTE 3: These Disk Deck Blade Kits include just the blades for use in the two Skirt Assemblies.

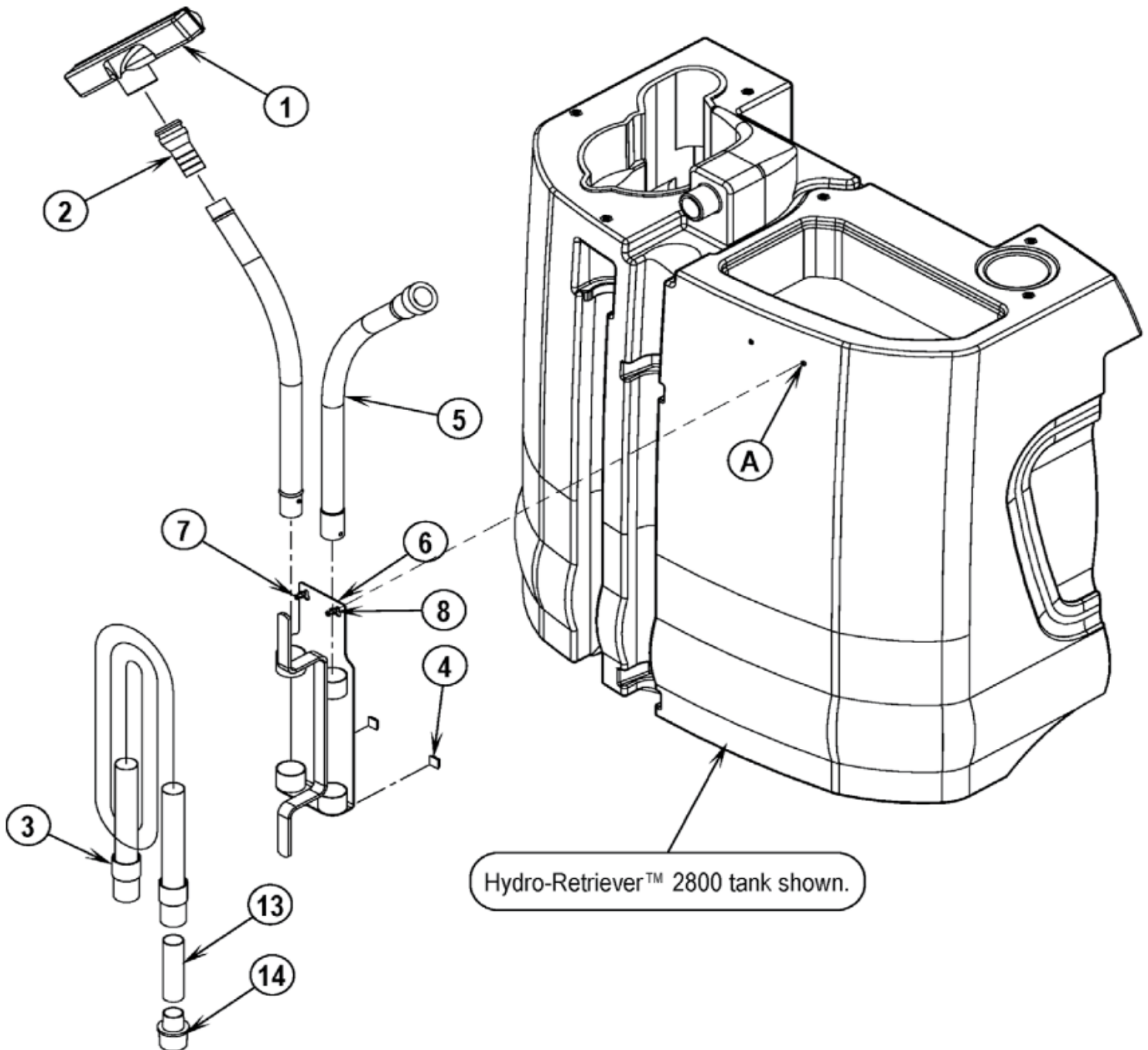
56412223 - Vacuum Wand Caddy Kit with insert

BR 600S/650S/700S/800S+C

23-04-2010

Part List ID
IS56040686A

73



56412223 - Vacuum Wand Caddy Kit with insert

BR 600S/650S/700S/800S+C

23-04-2010

Part List ID
IS56040686A

74

Pos	Part no.	Qty	Description	EAN
	56040686	1	INSTRUCTION SHEET	
1	56205114	1	SQUEEGEE TOOL 14AS	
2	56301339	1	1.5 COUPLER	
3	56329062	1	VAC HOSE 1.50	
4	56402940	2	BUMPER .812 SQ CR666	
5	56409563	1	WAND 2 PIECE	
6	56412227	1	CADDY WELDT	
7	56002124	2	SCREW10 24 X .62 PNH PH	
8	56412310	2	BUSHING STEPPED	
13	56204536	1	COUPLER EXTENSION HP63	

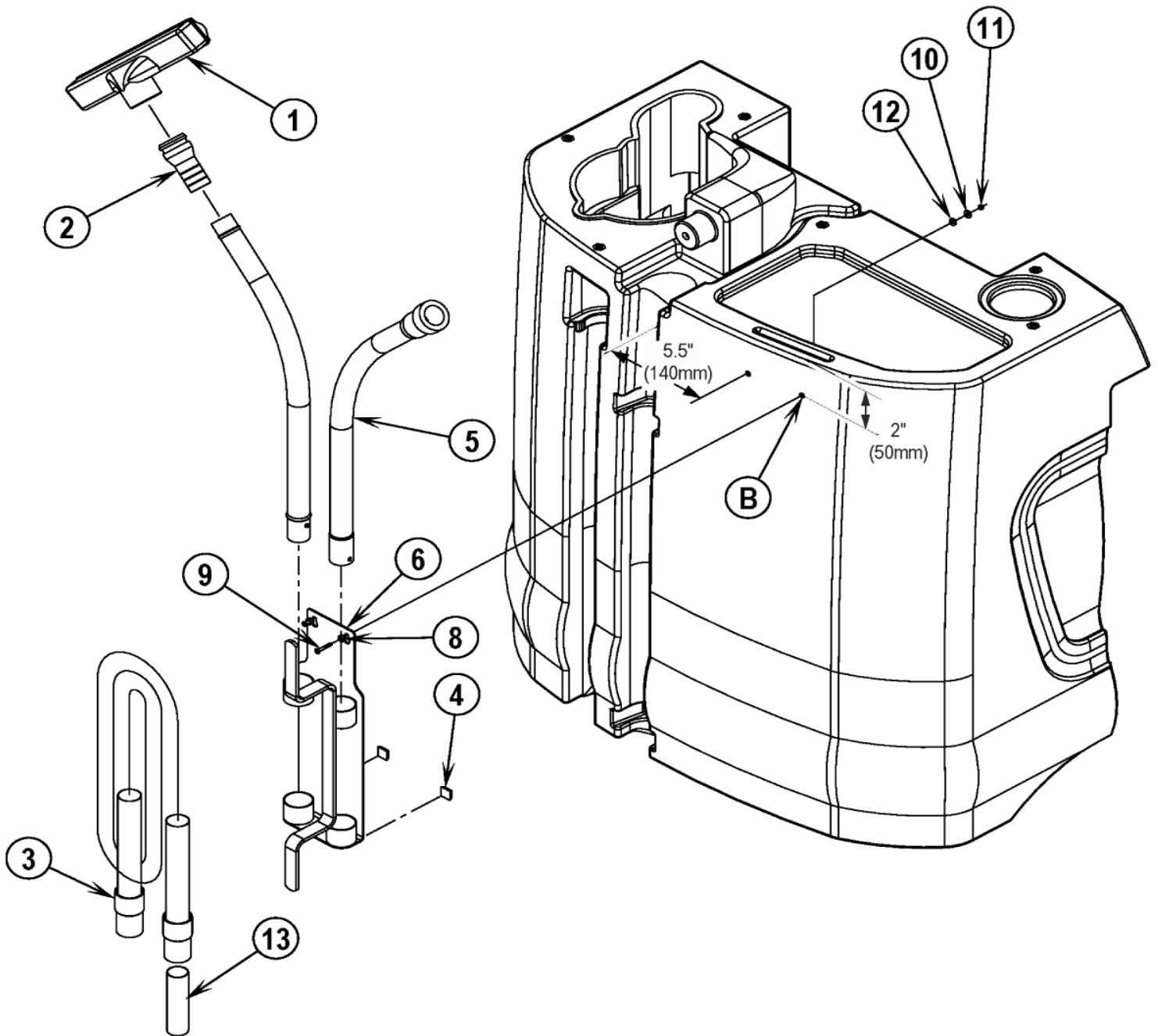
56412223 - Vacuum Wand Caddy Kit without insert

BR 600S/650S/700S/800S+C

23-04-2010

Part List ID
IS56040686B

75



56412223 - Vacuum Wand Caddy Kit without ins

BR 600S/650S/700S/800S+C

23-04-2010

Part List ID
IS56040686B

76

Pos	Part no.	Qty	Description	EAN
	56040686	1	INSTRUCTION SHEET	
1	56205114	1	SQUEEGEE TOOL 14AS	
2	56301339	1	1.5 COUPLER	
3	56329062	1	VAC HOSE 1.50	
4	56402940	2	BUMPER .812 SQ CR666	
5	56409563	1	WAND 2 PIECE	
6	56412227	1	CADDY WELDT	
8	56412310	2	BUSHING STEPPED	
10	56009205	2	WSH FLT SS .219X.500X.047/.062	
11	56002836	2	NUT HEX NYL LOC SS 10 24	
13	56204536	1	COUPLER EXTENSION HP63	

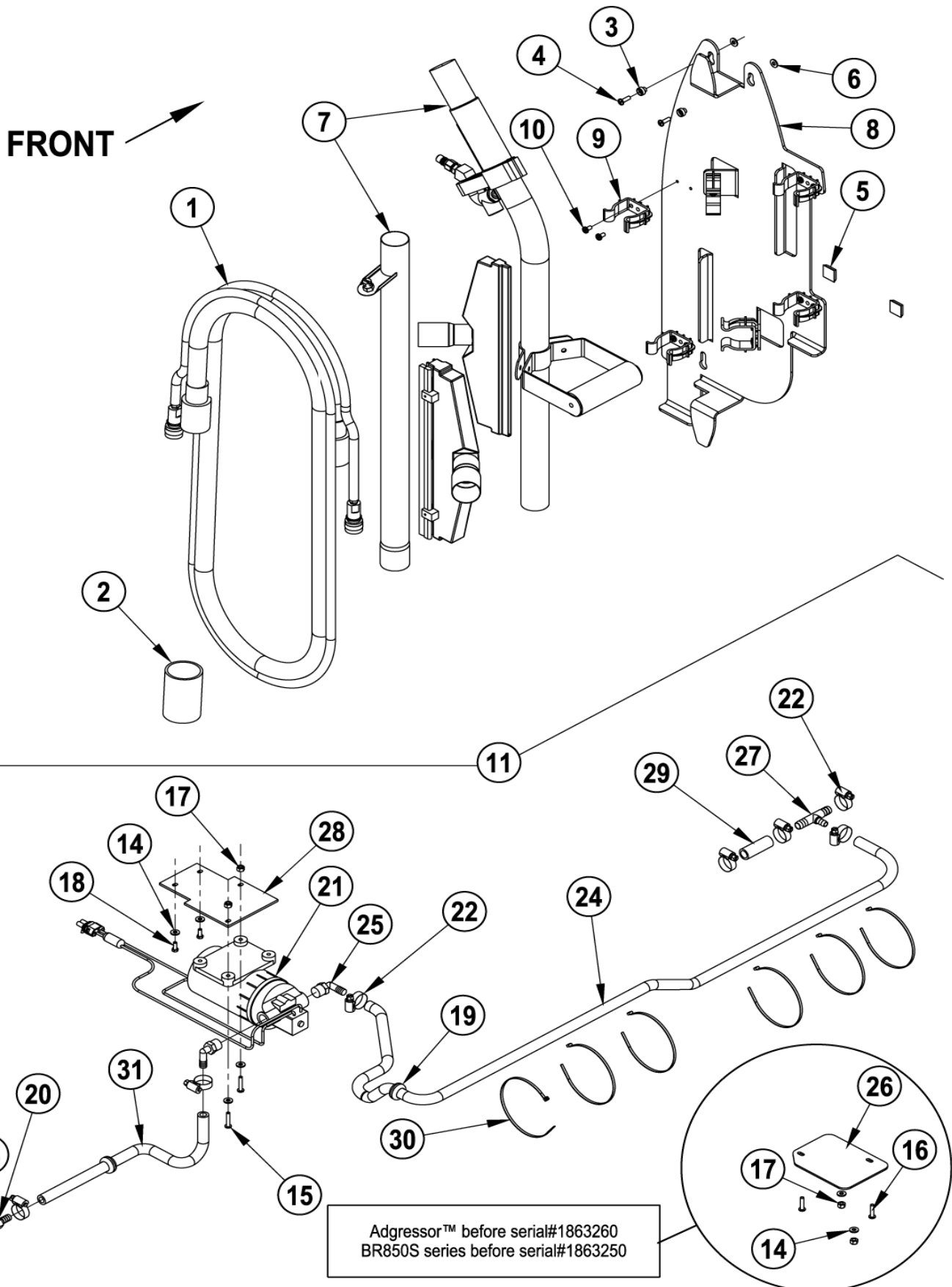
56314308 - Scrub-N-Vac Tool Kit

BR 600S/650S/700S/800S+C

23-04-2010

Part List ID
IS56040783

77



56314308 - Scrub-N-Vac Tool Kit

BR 600S/650S/700S/800S+C

23-04-2010

Part List ID
IS56040783

78

Pos	Part no.	Qty	Description	EAN
1	56220035	1	HOSE ASSY.	
2	56314399	1	COUPLER	
3	56412310	3	BUSHING STEPPED	
4	56002124	3	SCREW10 24 X .62 PNH PH	
5	56402940	2	BUMPER .812 SQ CR666	NOTE
6	56009205	2	WSH FLT SS .219X.500X.047/.062	
7	56314402	1	WAND ASSEMBLY	
8	56314403	1	CADDY	NOTE
9	56407361	6	CLAMP PLASTIC	NOTE
10	56009030	12	SCR PAN PHIL THD FOM 10 24X.38	NOTE
11	56314309	1	PUMP ASSEMBLY	
12	56220074	1	IMPERIAL NIPPLE	
13	56745543	1	ADAPTER BLKHD 1/4 AC230N	
14	56001954	6	WSH FLT SAE 10	
15	56002674	2	SCR PAN PHIL 10 24 X 1.00	
16	56002733	2	002733N PHIL 10 24 X .88	
17	56002768	4	NUT HEX NYL LOC 10 24	
18	56009039	2	SCR HEX THD FORM 10 24X .50	
19	56052338	2	GROMMET E00059	
20	56155640	1	BARB 3/8X1/4 BRASS E00039	
21	56212014	1	PUMP DC 36V BY PASS	
22	56219932	7	CLAMP HOSE SAE 6 E00047	
23	56220055	1	PLUG	
24	56314432	1	HOSE SPIRAL .375 X 63.00	
25	56900035	2	ELBOW BARB E00037	
26	56314644	1	ADAPTER PLATE	
29	56396330	1	HOSE PVC .500X2.00 E00199	
30	56478523	6	CABLE TIE E00549	

NOTE: Items (5, 8, 9 & 10) are pre-assembled

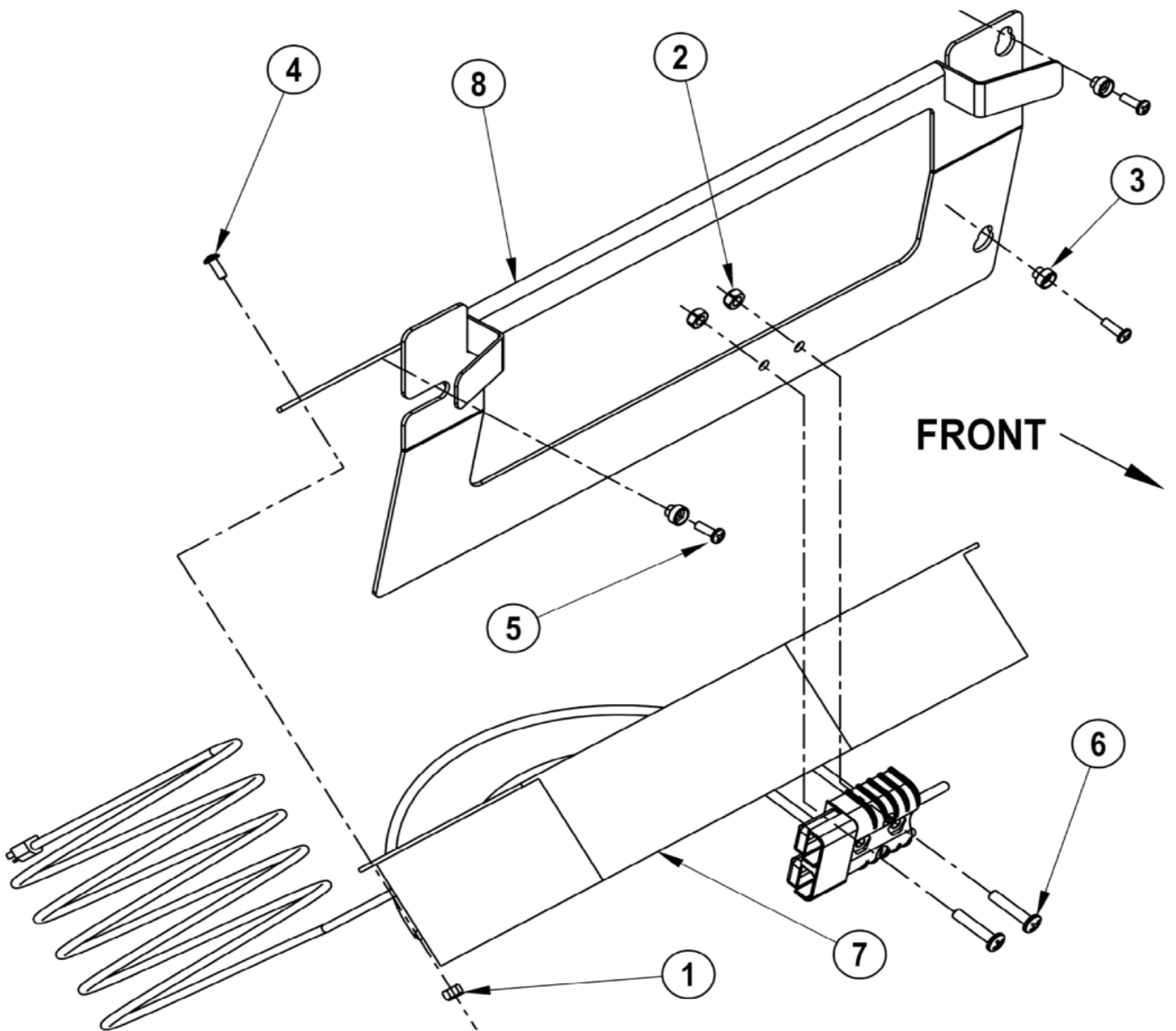
1462112000 - On Board Charger kit

BR 600S/650S/700S/800S+C

23-04-2010

Part List ID
IS56040787

79



1462112000 - On Board Charger kit

BR 600S/650S/700S/800S+C

23-04-2010

Part List ID
IS56040787

80

Pos	Part no.	Qty	Description	EAN
1	56002768	6	NUT HEX NYL LOC 10 24	
2	56002840	2	NUT HEX NYL LOC THIN 1/4 20	
3	56412310	3	BUSHING STEPPED	
4	56001993	6	SCREW 10 24 X 0.5 ZINC PL	
5	56002124	3	SCREW 10 24 X .62 PNH PH	
6	56002825	2	SCR PAN PHIL 1/4 20 X 1.25	
7	146 2113 000	1	CHARGER BATTERY 36V 25A ADVENGER/BR/BRX	5711140042
8	146 2110 000	1	BACKET, BATT.CHARGER	

NOTE: All items except 3 and 5 are pre-assembled.

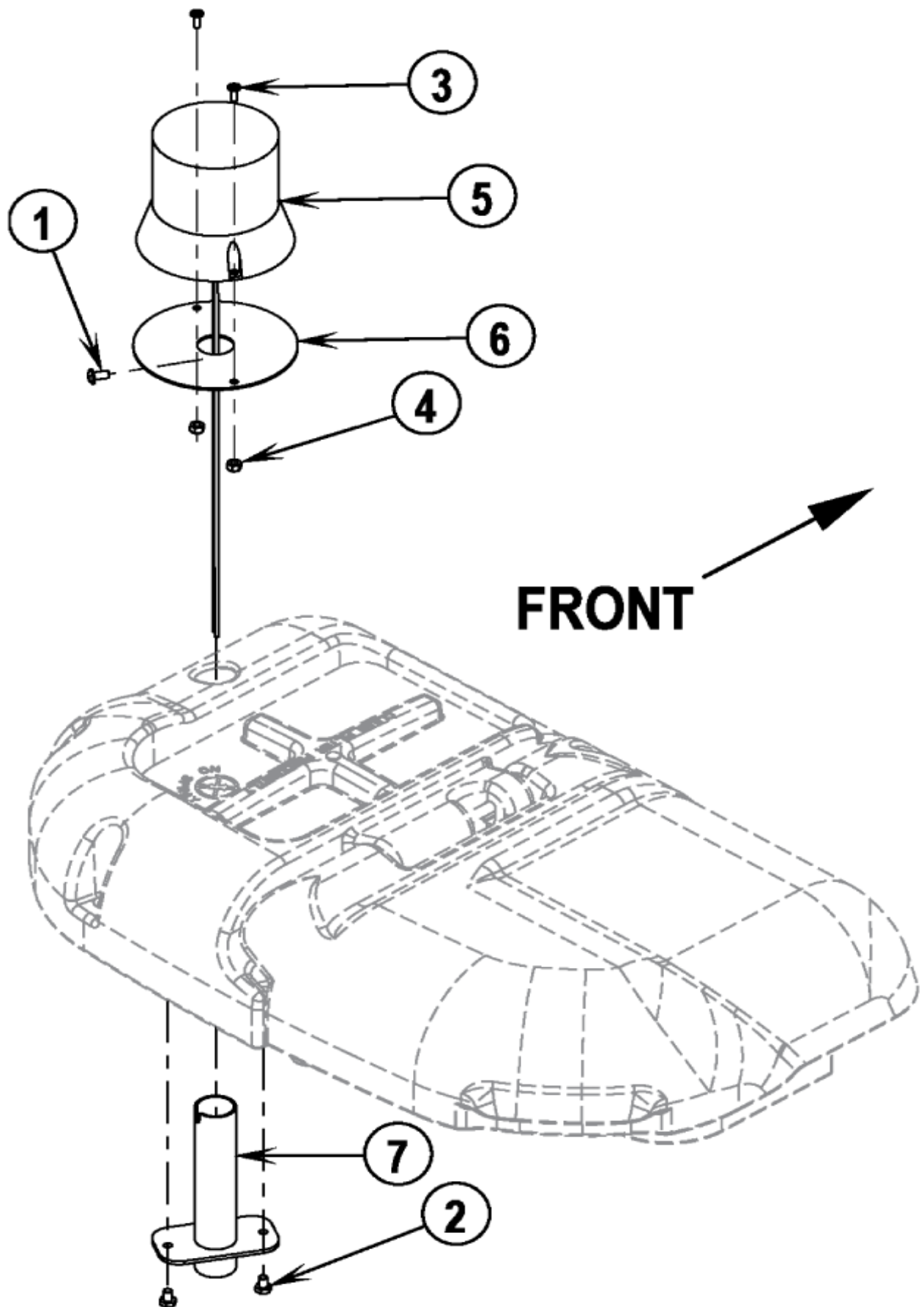
56314302 - Warning Beacon Kit, before May 20

BR 600S/650S/700S/800S+C

23-04-2010

Part List ID
IS56040788P1

81



56314302 - Warning Beacon Kit, before May 20

BR 600S/650S/700S/800S+C

23-04-2010

Part List ID
IS56040788P1

82

Pos	Part no.	Qty	Description	EAN
1	56003119	1	SCR PAN PHIL SS 1/4 20 X .50	
2	56001861	2	SCR HEX 1/4 20 X .38	
3	56001993	2	SCREW 10 24 X 0.5 ZINC PL	
4	56002768	2	NUT HEX NYL LOC 10 24	
5	56416433	1	STROBE	
6	56314287	1	PLATE WELDMENT	
7	56314288	1	TUBE WELDMENT	

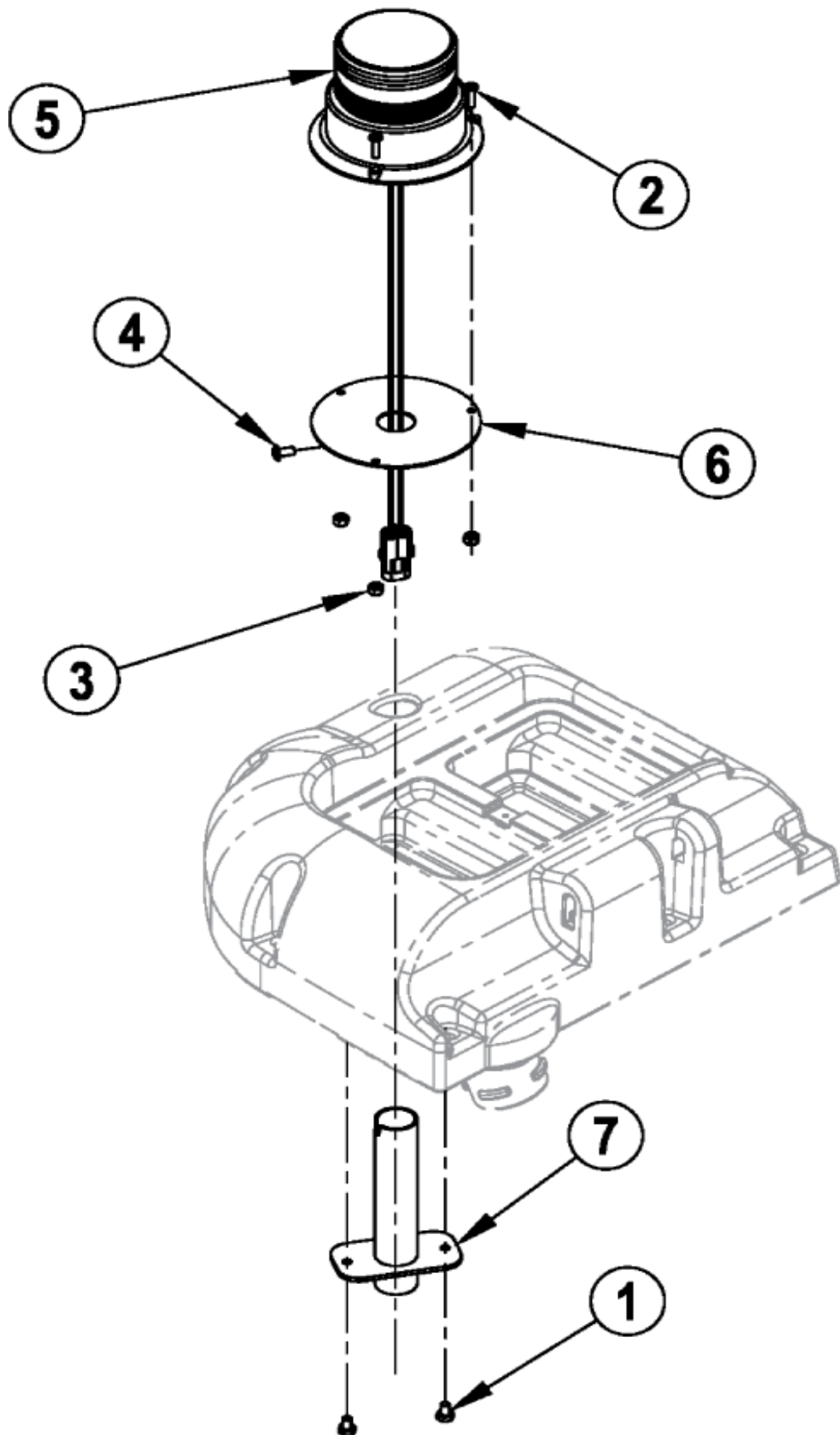
56314302 - Warning Beacon Kit, after April 20

BR 600S/650S/700S/800S+C

23-04-2010

Part List ID
IS56040788P4

83



56314302 - Warning Beacon Kit, after April 20

BR 600S/650S/700S/800S+C

23-04-2010

Part List ID
IS56040788P4

84

Pos	Part no.	Qty	Description	EAN
1	56001861	2	SCR HEX 1/4 20 X .38	
2	56002192	3	SCR PAN PHIL 10 24 X .75	
3	56002768	3	NUT HEX NYL LOC 10 24	
4	56003119	1	SCR PAN PHIL SS 1/4 20 X .50	
6	56314287	1	PLATE WELDMENT	
7	56314288	1	TUBE WELDMENT	

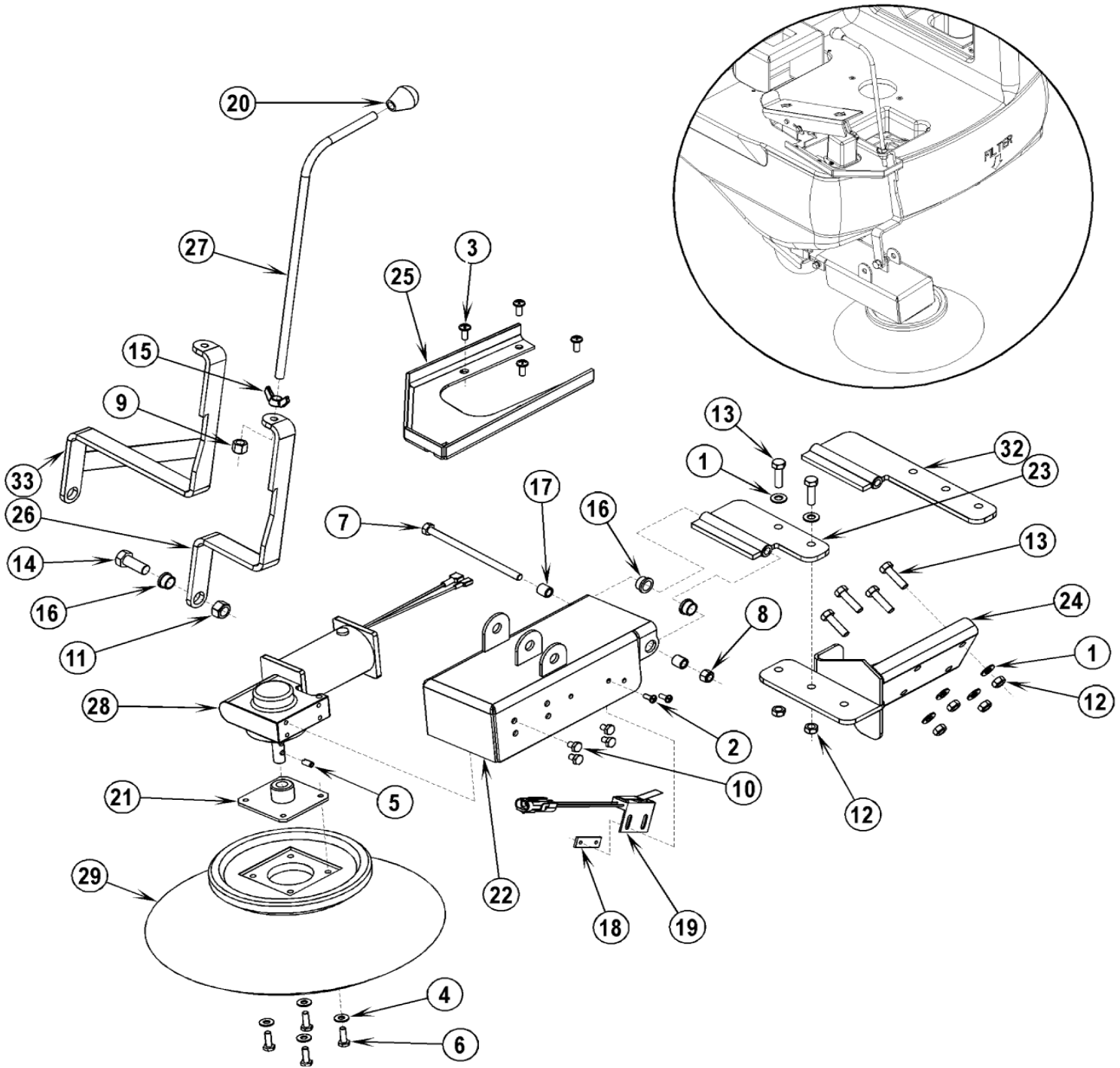
56314306 - Right side Broom Kit

BR 600S/650S/700S/800S+C

23-04-2010

Part List ID
IS56040789

85



56314306 - Right side Broom Kit

BR 600S/650S/700S/800S+C

23-04-2010

Part List ID
IS56040789

86

Pos	Part no.	Qty	Description	EAN
1	56001939	6	WSH FLT SAE 5/16	
2	56001993	2	SCREW 10 24 X 0.5 ZINC PL	NOTE 2
3	56002066	4	SCR PAN PHIL 1/4 20 X .62	
4	56002098	4	WSH FLT SAE 1/4	NOTE 2
5	56002119	1	SCR SOC SET LOC 1/4 20 X .50	NOTE 2
6	56002155	4	SCR HEX 1/4 20 X .75	NOTE 2
7	56002691	1	SCR HEX 5/16 18 X 5.50	
8	56002701	1	NUT HEX NYL LOC 5/16 18	
9	56002769	1	NUT HEX NYL LOC 3/8 16	NOTE 1
10	56002933	4	SCR HEX LOC 1/4 20 X .38	NOTE 2
11	56003312	1	NUT HEX NYL LOC M12 1.75	
12	56003389	6	NUT HEX NYL LOC M8X1.25	
13	56003416	6	SCR HEX M8 1.25 X 30MM	
14	56003418	1	SCR HEX M12 1.75 X 30MM	
15	56009252	1	NUT WING SS 3/8 16	NOTE 1
16	56185264	3	BEARING FLANGE E00201	
17	56228052	2	BUSHING .31X.50X.53FC105C	
18	56324310	1	NUT PLATE	NOTE 2
19	56372088	1	SWITCH WATERPROOF	NOTE 2
20	56378534	1	KNOB 1.12X3/8 16 CR29C	NOTE 1
21	56314095	1	BRUSH HOLDER WELDMENT	NOTE 2
22	56314167	1	SIDEBROOM ARM WELDMENT	NOTE 2
24	56314178	1	BRACKET WELDMENT	
26	56314194	1	BAR LIFT	NOTE 1
28	56469530	1	MOTOR ASSY. 24VOLT	NOTE 2
29	145 1899 000	1	BROOM SIDE 180X420 PPL 0.8	NOTE 2
				5715492038
30	56314259	1	HARNESS SIDEBROOM	
31	56478246	1	CABLE TIE E00549 RE438BA	
32	56316315	1	PIVOT WELDMENT	NOTE 3
33	56316335	1	BAR LIFT WELDMENT	NOTE 3

NOTE 1 = These items are pre-assembled together to create the "Lift Bar Assembly" (D).

NOTE 2 = These items are pre-assembled together to create the "Broom/Motor Assembly" (A).

NOTE 3 = These two items are only used on models with a 35" & 38" size deck (BR 950/1050).

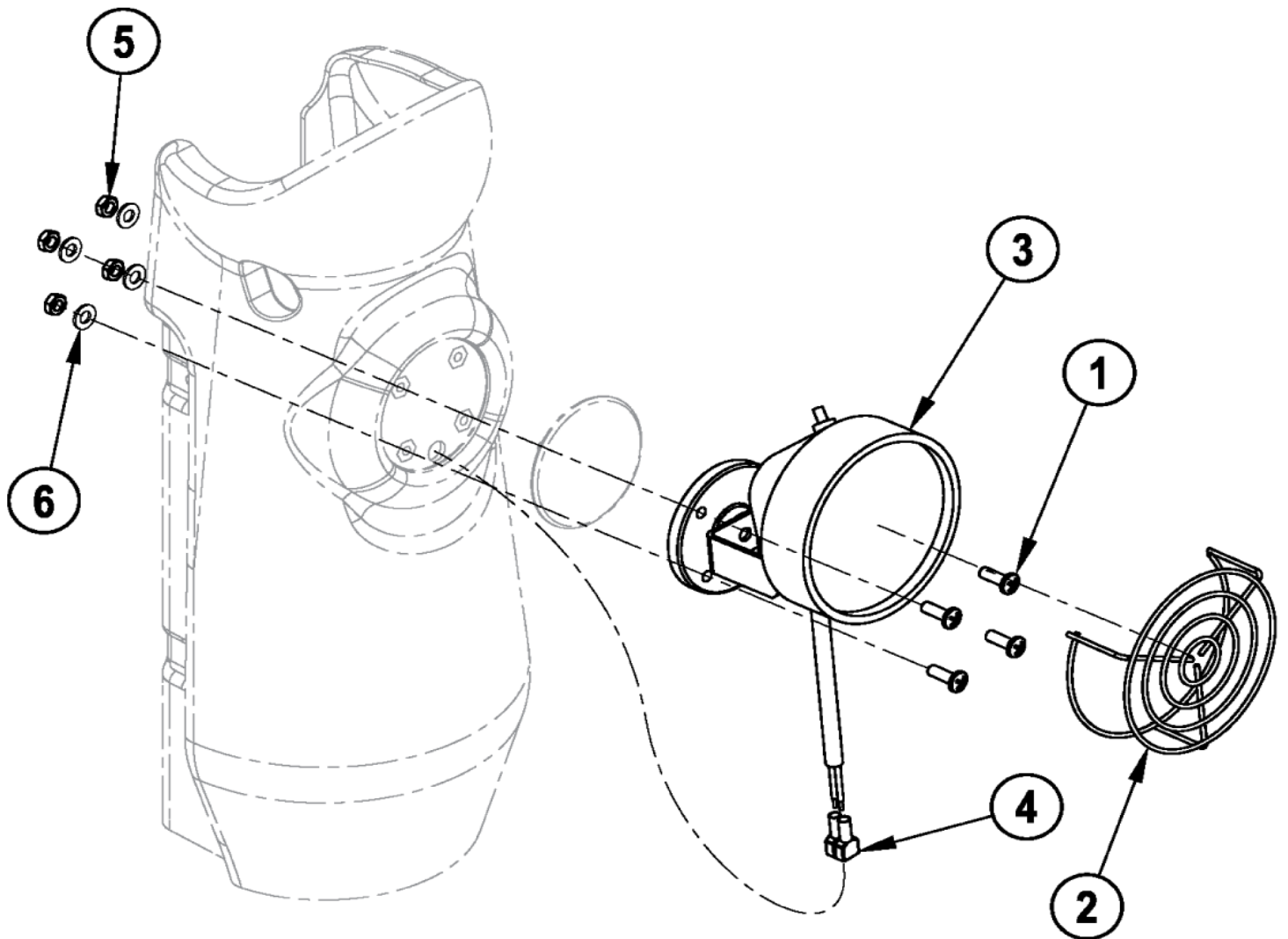
56314313 - Headlight Kit

BR 600S/650S/700S/800S+C

23-04-2010

Part List ID
IS56040791

87



56314313 - Headlight Kit

BR 600S/650S/700S/800S+C

23-04-2010

Part List ID
IS56040791

88

Pos	Part no.	Qty	Description	EAN
1	56002292	4	SCR PAN PHIL 1/4 20 X 1.00	
2	56409557	1	GUARD HEADLIGHT	
3	56409239	1	HEADLIGHT	
4	56172230	2	TERM. .250 INS. TAB	
5	56002840	4	NUT HEX NYL LOC THIN 1/4 20	
6	56002098	4	WSH FLT SAE 1/4	

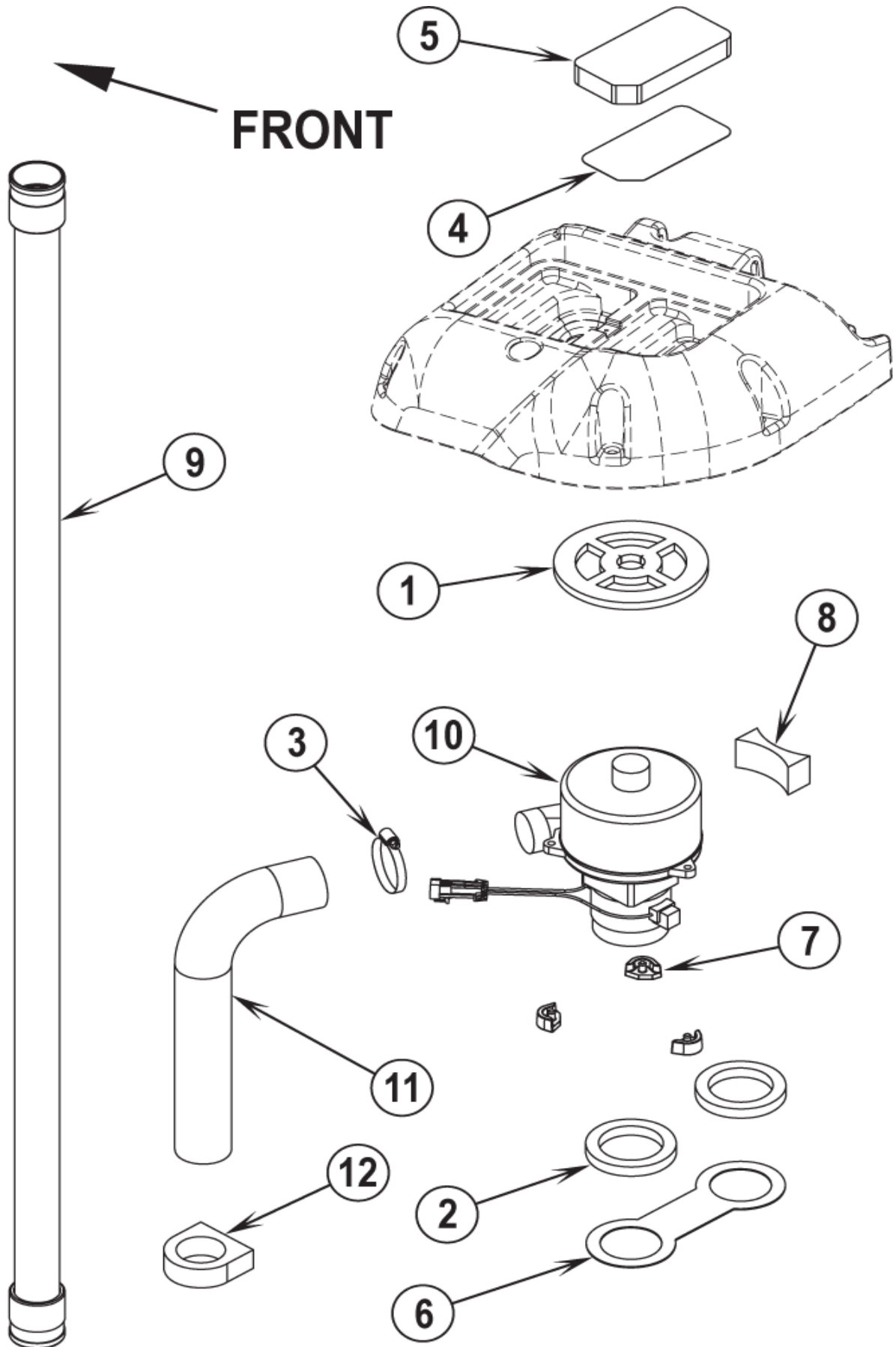
56314338 - Dual Vac Motor Kit

BR 600S/650S/700S/800S+C

23-04-2010

Part List ID
IS56040792

89



56314338 - Dual Vac Motor Kit

BR 600S/650S/700S/800S+C

23-04-2010

Part List ID
IS56040792

90

Pos	Part no.	Qty	Description	EAN
1	56314704	1	GASKET	
2	56314760	2	GASKET VACUUM DUCT	
3	56440213	1	CLAMP HOSE SAE 32E00047	#32
4	56314372	1	SCREEN FILTER	
5	56314373	1	FILTER	
6	56314377	1	PLATE SEPARATOR 2 MOTOR	2 MTR
7	56314484	3	MOUNT VIBRATION	
8	56314708	1	FOAM SPACER	
9	56314535	1	VAC HOSE ASSY. 1.75	
10	56397228	1	MOTOR VAC 36VDC	
11	56459937	1	HOSE VAC 2.00 X 20 BLACK	
12	56314761	1	GASKET HOSE	

56316520 - Kit, Deck BR 600S

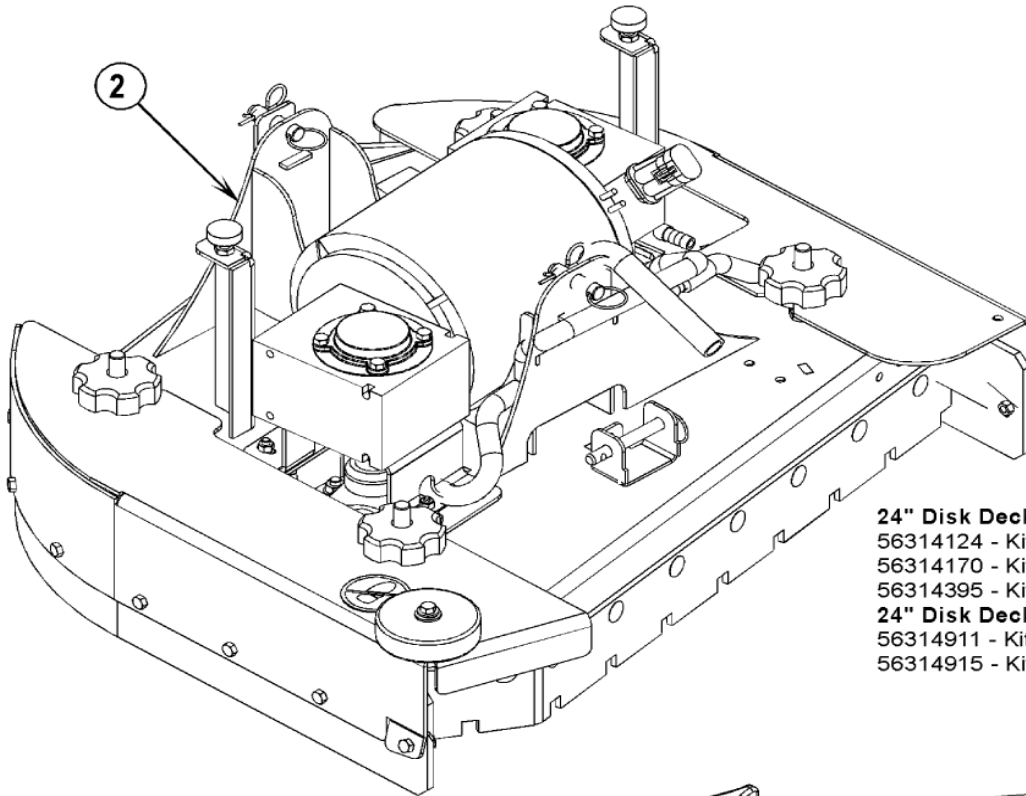
BR 600S/650S/700S/800S+C

23-04-2010

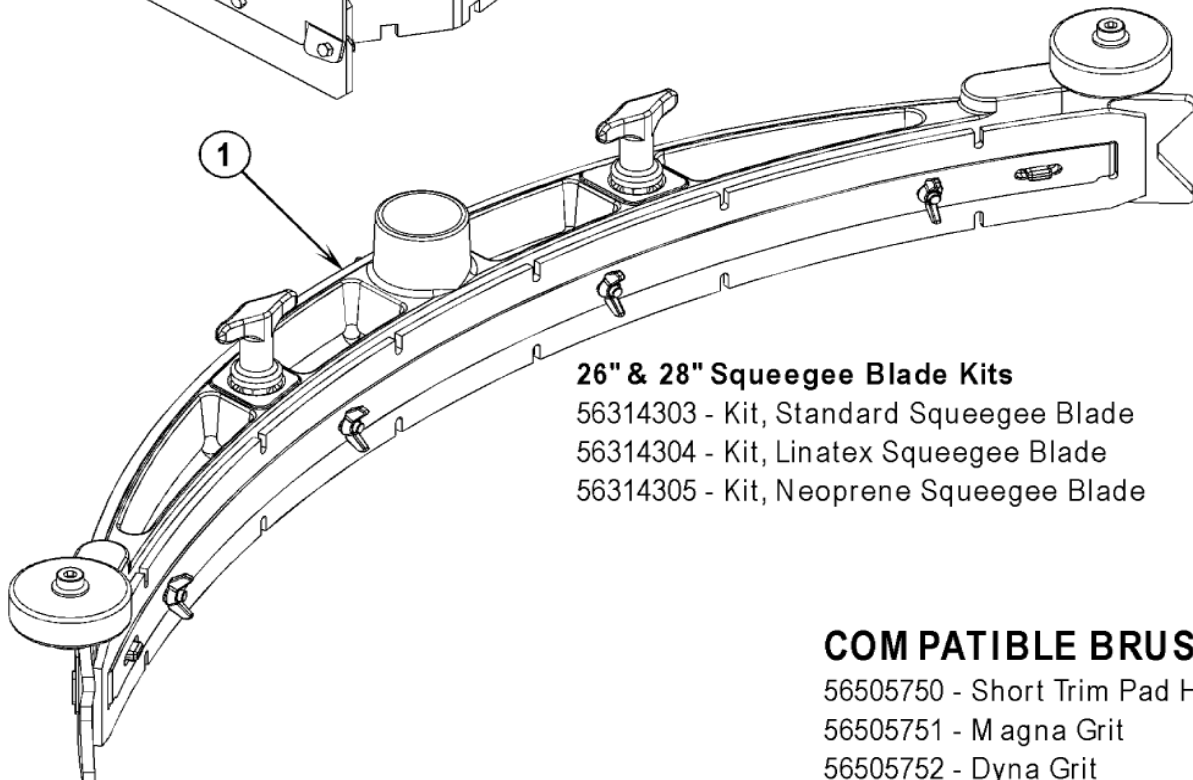
Part List ID
IS56040794A

91

56316520 - Kit, Deck BR 600S



24" Disk Deck Blade Kits (Before TSBUS2004-884)
 56314124 - Kit, Gum Rubber 24 Disk
 56314170 - Kit, Neoprene 24 Disk
 56314395 - Kit, Linatex 24 Disk
24" Disk Deck Blade Kits (After TSBUS2004-884)
 56314911 - Kit, Gum Rubber 24 disk
 56314915 - Kit, Linatex 24 Disk



26" & 28" Squeegee Blade Kits
 56314303 - Kit, Standard Squeegee Blade
 56314304 - Kit, Linatex Squeegee Blade
 56314305 - Kit, Neoprene Squeegee Blade

COMPATIBLE BRUSHES

56505750 - Short Trim Pad Holder
 56505751 - Magna Grit
 56505752 - Dyna Grit
 56505753 - AgLite Grit
 56505754 - Prolene
 56505755 - ProLite
 56505756 - Union Mix
 56505757 - MidGrit
 56505758 - MidLite Grit

Item	Ref. No.	Qty	Description
	56316520	1	Kit, Deck BR 600S
*	56040794	1	Instruction Sheet
1	56314020	1	Squeegee Assembly
2	56314513	1	24" Disk Deck Assembly

56316520 - Kit, Deck BR 600S

BR 600S/650S/700S/800S+C

23-04-2010

Part List ID
IS56040794A

92

Pos	Part no.	Qty	Description	EAN
1	56314020	1	SQUEEGEE ASSEMBLY	

56316521 - Kit, Deck BR 600SC

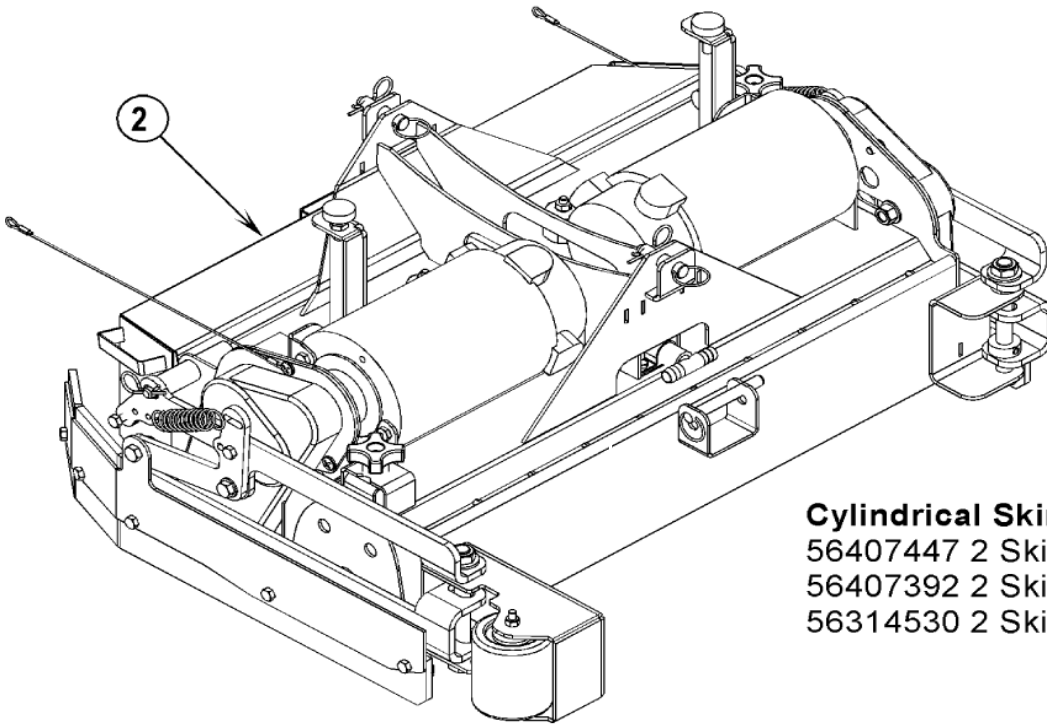
BR 600S/650S/700S/800S+C

23-04-2010

Part List ID
IS56040794B

93

56316521 - Kit, Deck BR 600SC

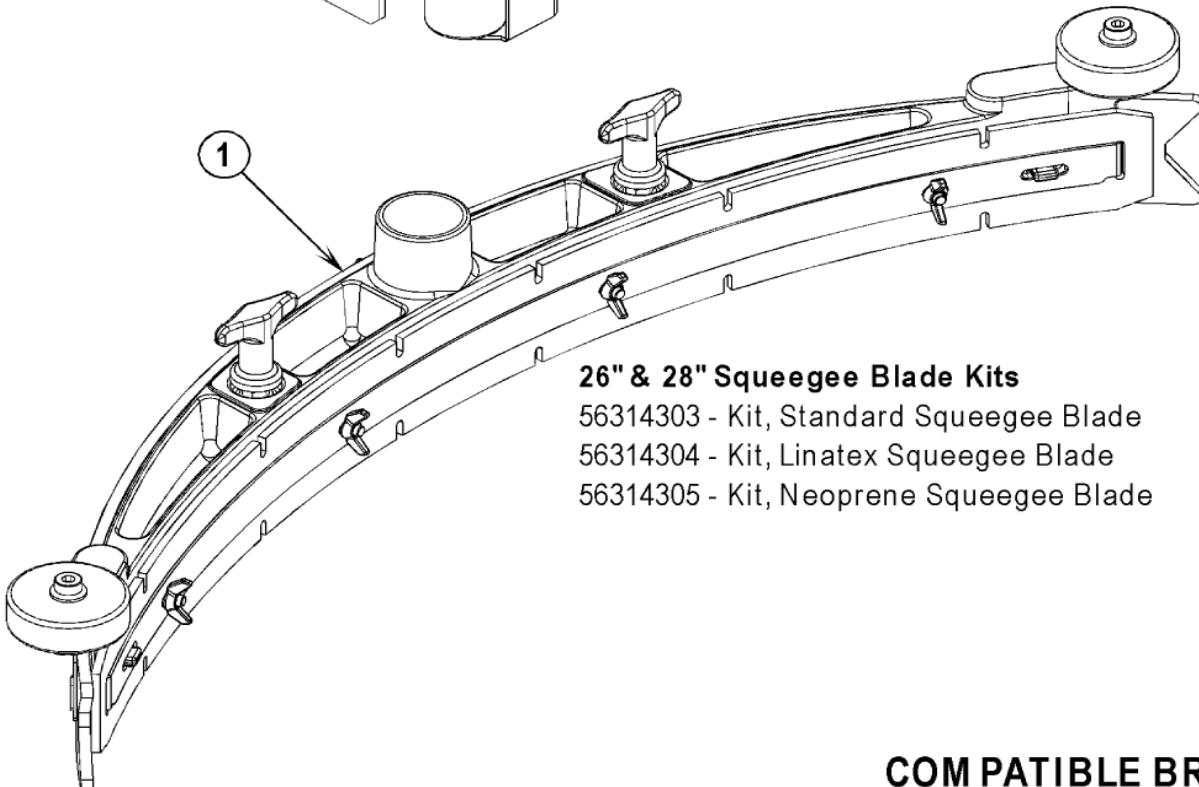


Cylindrical Skirts

56407447 2 Skirt, Gum Rubber

56407392 2 Skirt, Neoprene

56314530 2 Skirt, Linatex



26" & 28" Squeegee Blade Kits

56314303 - Kit, Standard Squeegee Blade

56314304 - Kit, Linatex Squeegee Blade

56314305 - Kit, Neoprene Squeegee Blade

COM PATIBLE BRUSHES

56314389 - Soft Nylon

56314390 - Hard Nylon

56314391 - Prolene

56314392 - 180 Grit

56314393 - 80 Grit

56314394 - 46 Grit

Item	Ref. No.	Qty	Description
	56316521	1	Kit, Deck BR 600SC
*	56040794	1	Instruction Sheet
1	56314020	1	Squeegee Assembly
2	56314523	1	24" Cylindrical Deck Assembly

56316521 - Kit, Deck BR 600SC

BR 600S/650S/700S/800S+C

23-04-2010

Part List ID
IS56040794B

94

Pos	Part no.	Qty	Description	EAN
1	56314020	1	SQUEEGEE ASSEMBLY	
2	56314523	1	CYL. DECK ASSY 24	

56316522 - Kit, Deck BR 700S

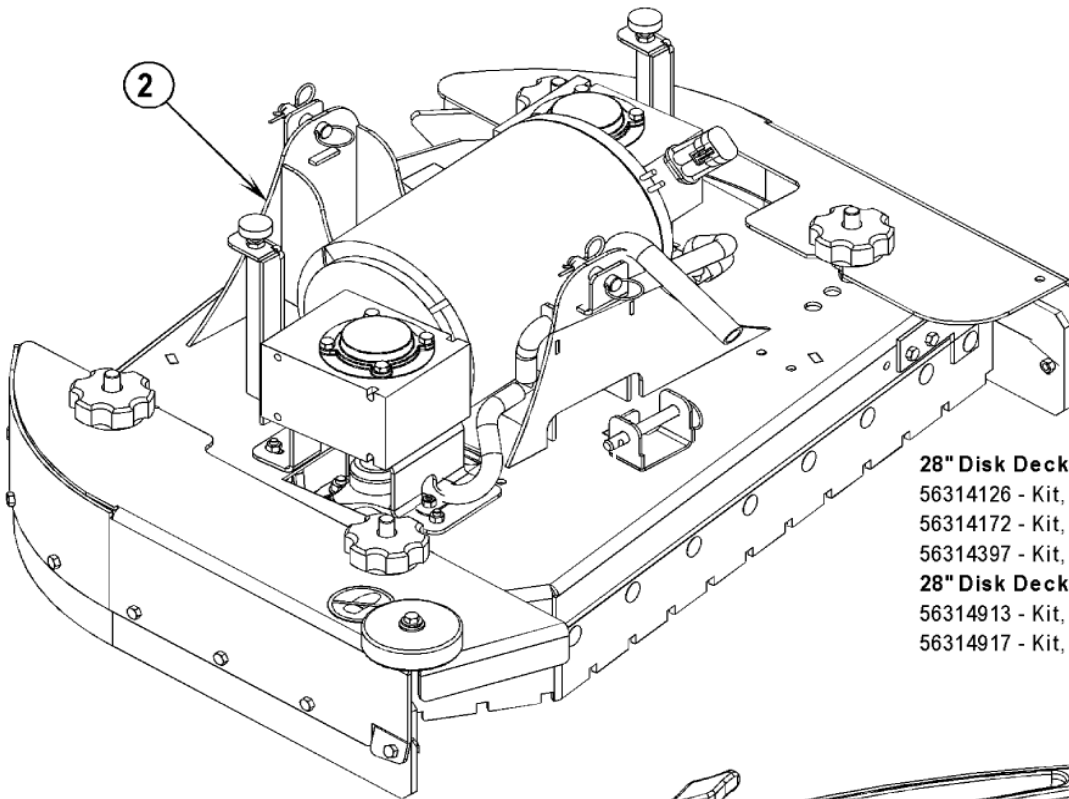
BR 600S/650S/700S/800S+C

23-04-2010

Part List ID
IS56040794C

95

56316522 - Kit, Deck BR 700S



28" Disk Deck Blade Kits (Before TSBUS2004-884)

56314126 - Kit, Gum Rubber 28 Disk

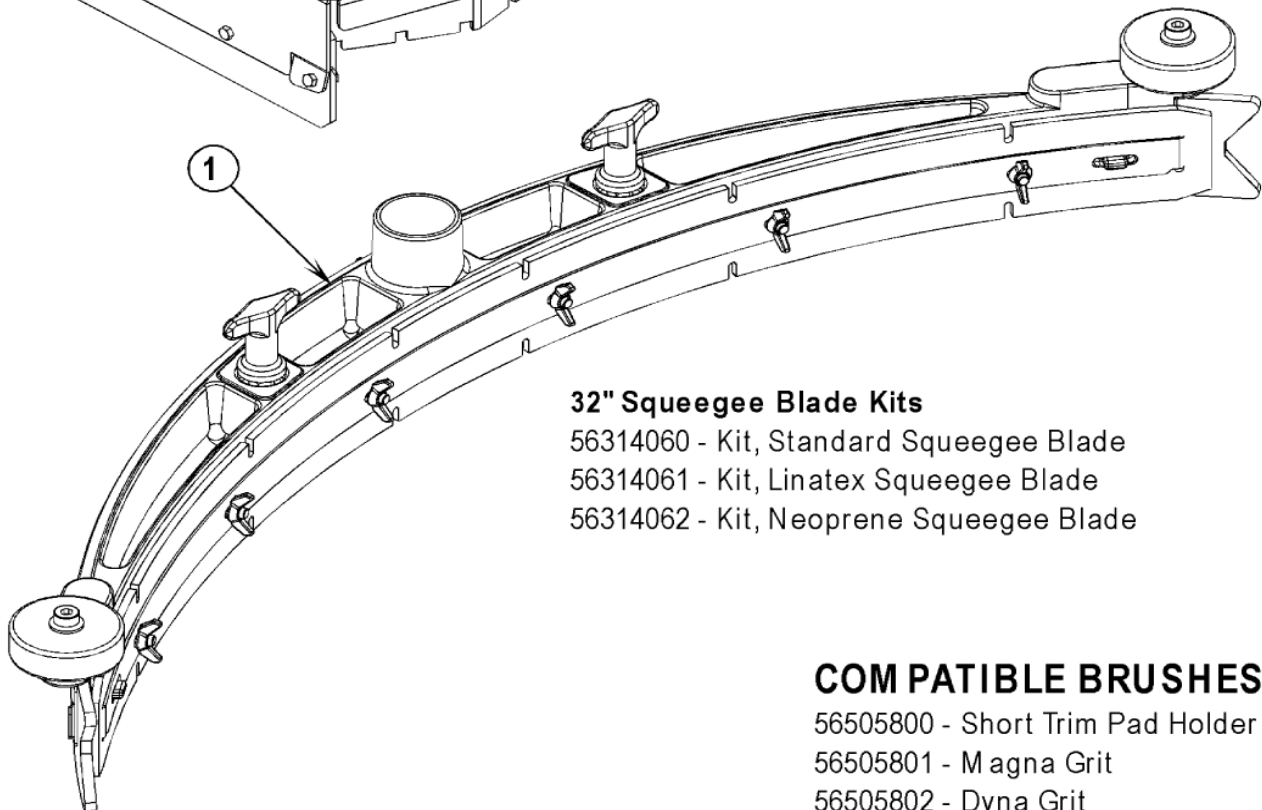
56314172 - Kit, Neoprene 28 Disk

56314397 - Kit, Linatex 28 Disk

28" Disk Deck Blade Kits (After TSBUS2004-884)

56314913 - Kit, Gum Rubber 28 Disk

56314917 - Kit, Linatex 28 Disk



32" Squeegee Blade Kits

56314060 - Kit, Standard Squeegee Blade

56314061 - Kit, Linatex Squeegee Blade

56314062 - Kit, Neoprene Squeegee Blade

COMPATIBLE BRUSHES

56505800 - Short Trim Pad Holder

56505801 - Magna Grit

56505802 - Dyna Grit

56505803 - AgLite Grit

56505804 - Prolene

56505805 - ProLite

56505806 - Union Mix

56505807 - MidGrit

56505808 - MidLite Grit

Item	Ref. No.	Qty	Description
	56316522	1	Kit, Deck BR 700S
*	56040794	1	Instruction Sheet
1	56314358	1	Squeegee Assembly
2	56314511	1	28" Disk Deck Assembly

56316522 - Kit, Deck BR 700S

BR 600S/650S/700S/800S+C

23-04-2010

Part List ID
IS56040794C

96

Pos	Part no.	Qty	Description	EAN
1	56314358	1	SQUEEGEE ASSEMBLY 32	

56316523 - Kit, Deck BR 700SC

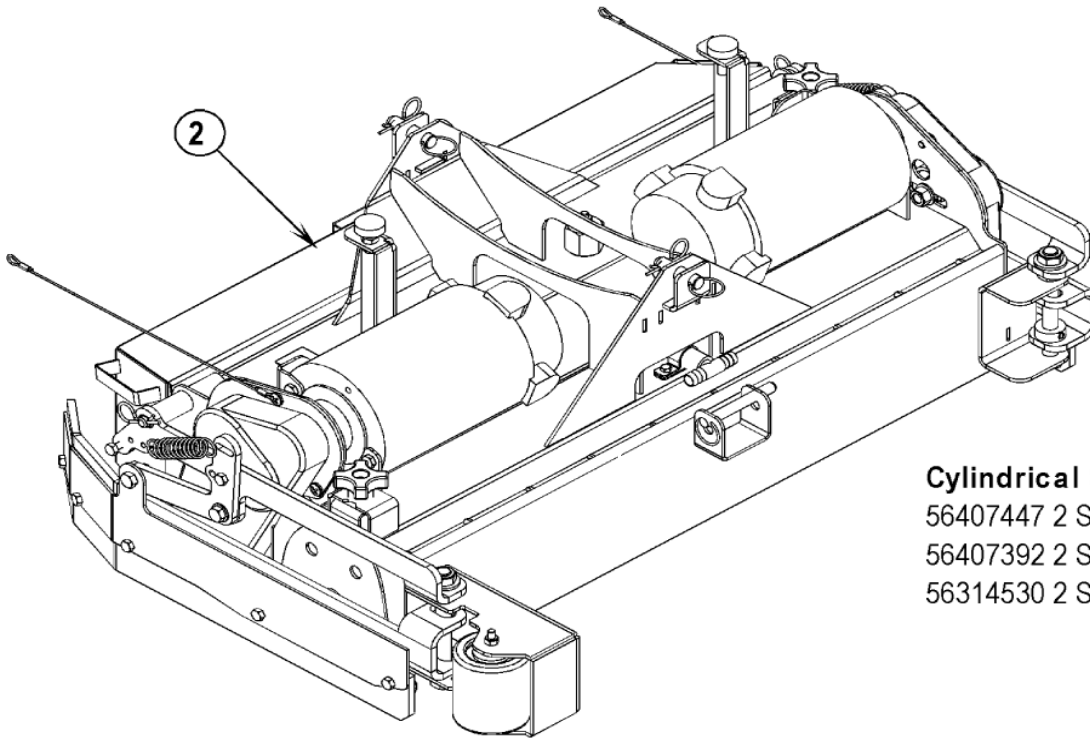
BR 600S/650S/700S/800S+C

23-04-2010

Part List ID
IS56040794D

97

56316523 - Kit, Deck BR 700SC

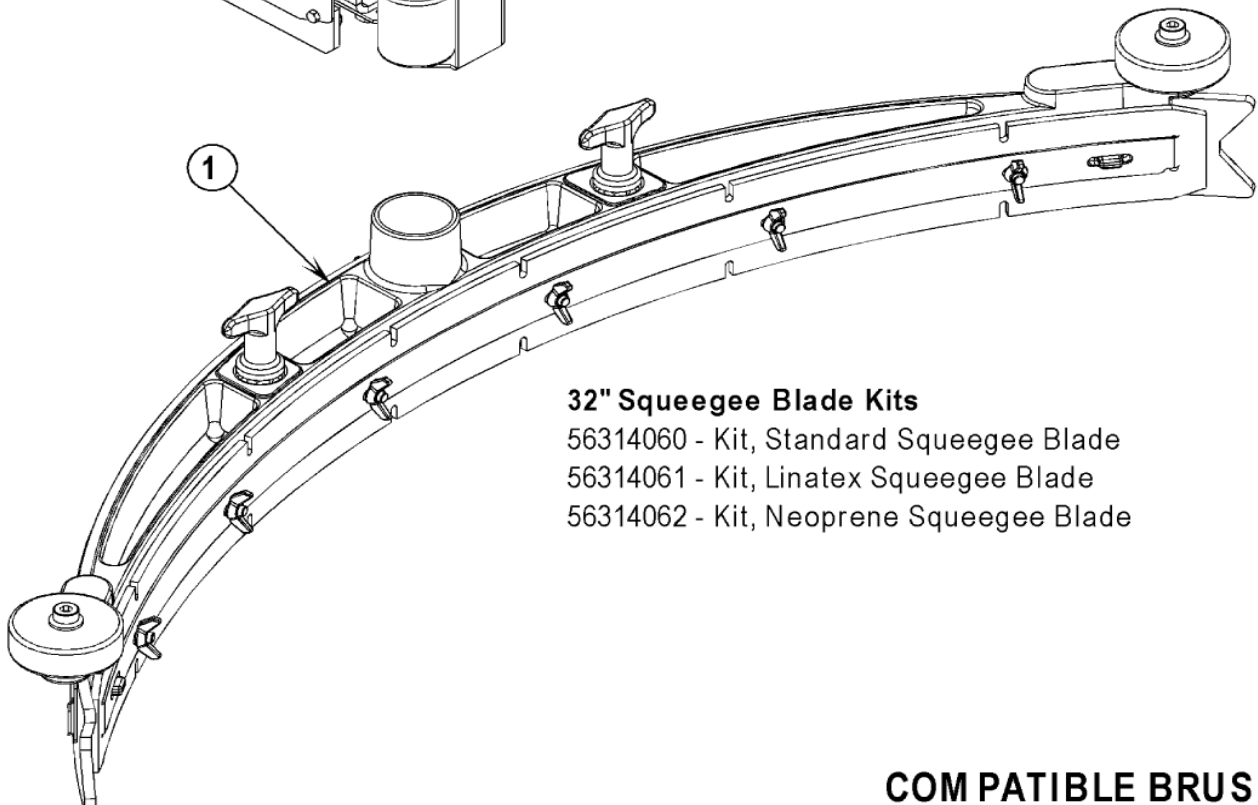


Cylindrical Skirts

56407447 2 Skirt, Gum Rubber

56407392 2 Skirt, Neoprene

56314530 2 Skirt, Linatex



32" Squeegee Blade Kits

56314060 - Kit, Standard Squeegee Blade

56314061 - Kit, Linatex Squeegee Blade

56314062 - Kit, Neoprene Squeegee Blade

Item	Ref. No.	Qty	Description
	56316523	1	Kit, Deck BR 700SC
*	56040794	1	Instruction Sheet
1	56314358	1	Squeegee Assembly
2	56314521	1	28" Cylindrical Deck Assembly

COMPATIBLE BRUSHES

56412191 - Soft Nylon

56412192 - Hard Nylon

56412046 - Prolene

56412193 - 180 Grit

56412194 - 80 Grit

56412195 - 46 Grit

56316523 - Kit, Deck BR 700SC

BR 600S/650S/700S/800S+C

23-04-2010

Part List ID
IS56040794D

98

Pos	Part no.	Qty	Description	EAN
1	56314358	1	SQUEEGEE ASSEMBLY 32	

56314710 - Control and Actuator Update Kit

BR 600S/650S/700S/800S+C

23-04-2010

Part List ID
IS56040827

99

56314710 CONTROL & ACTUATOR UPDATE KIT

For Advenger 2400D, 2600D, 2810D, 3210D, 2400C, 2600C, 2810C, 3210C
BR 600S, 650S, 700S, 800S, 600CS, 650CS, 700CS, 800CS

CONTENTS OF KIT

ITEM	PART NO.	QTY	DESCRIPTION
	56040827	1	Instruction Sheet
1	56314072	1	Control Panel Assembly
2	56397230	1	Actuator Motor, 36V

INSTALLATION INSTRUCTIONS

WARNING!

DISCONNECT BATTERIES BEFORE SERVICING.

SQUEEGEE LIFT ACTUATOR MOTOR REMOVAL

- 1 Lower the squeegee tool to the floor and then disconnect the battery pack by pushing in the emergency disconnect lever. This procedure is done to prevent the squeegee mount from automatically raising when the key is turned off.
- 2 Drain the recovery tank using the recovery tank drain hose.
- 3 Disconnect the squeegee hose from the squeegee tool and remove the tool from its mount.
- 4 Open the hinged recovery tank cover and grip the top inside edge of the tank then pull straight up to separate it from the solution tank/seat platform. Then guide the tank off the rear of the machine to the floor. **Important Service Note:** Support the bottom of the tank on its left corner to prevent crushing of the squeegee hose. Don't pull the tank immediately away from the machine the vacuum motor wiring harness located on the lower left front corner must be disconnected to complete the separation.

56314710 - Control and Actuator Update Kit

BR 600S/650S/700S/800S+C

23-04-2010

Part List ID
IS56040827

100

Pos	Part no.	Qty	Description	EAN
1	56314072	1	DISPLAY PANEL ASSEMBLY	
2	56397230	1	ACTUATOR MOTOR 36V	

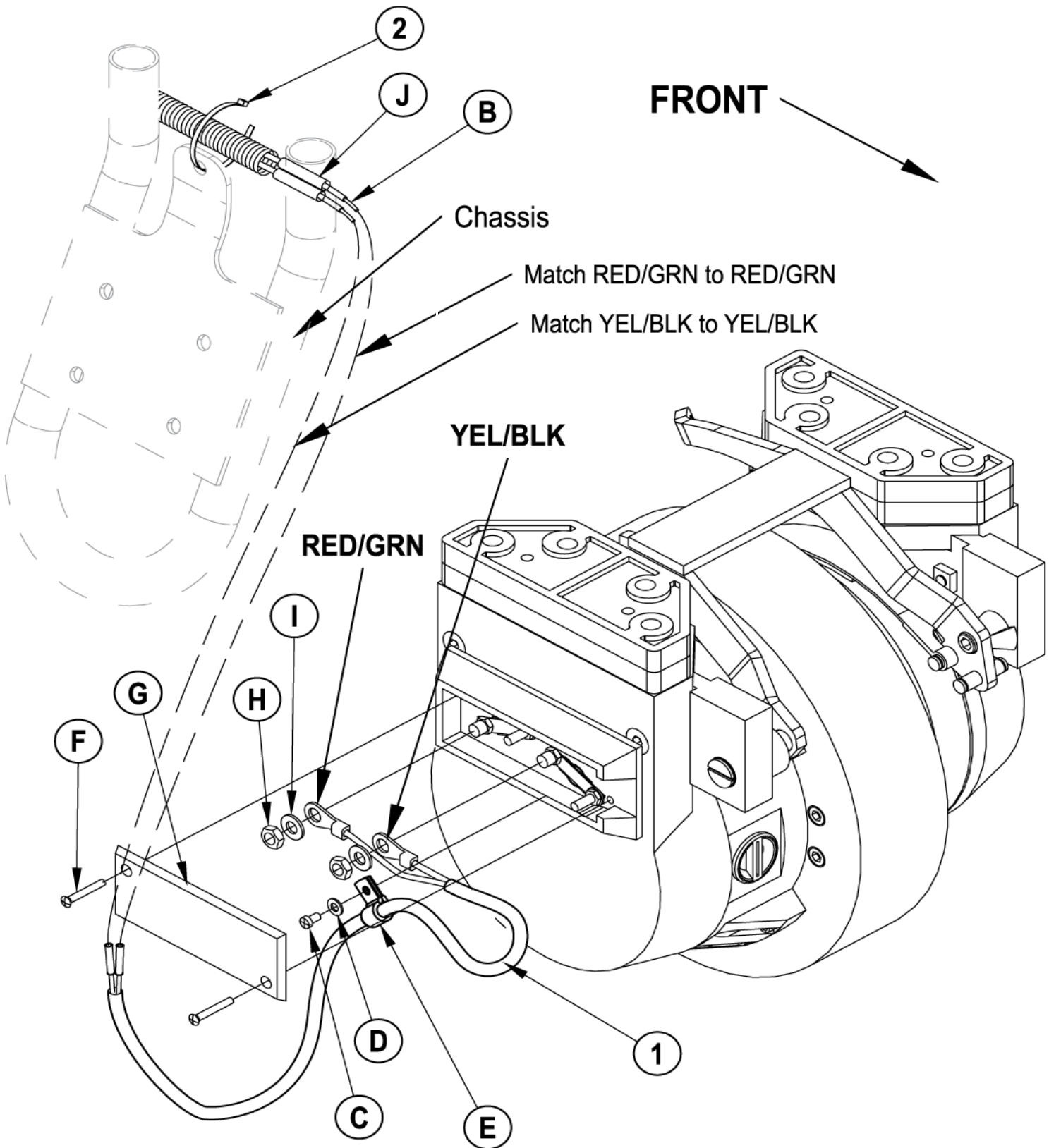
56314920 - Drive Wheel Harness Kit

BR 600S/650S/700S/800S+C

23-04-2010

Part List ID
IS56040835

101



56314920 - Drive Wheel Harness Kit

BR 600S/650S/700S/800S+C

23-04-2010

Part List ID

IS56040835

102

Pos	Part no.	Qty	Description	EAN
2	56477613	1	CABLE TIE E00549 RE409S	

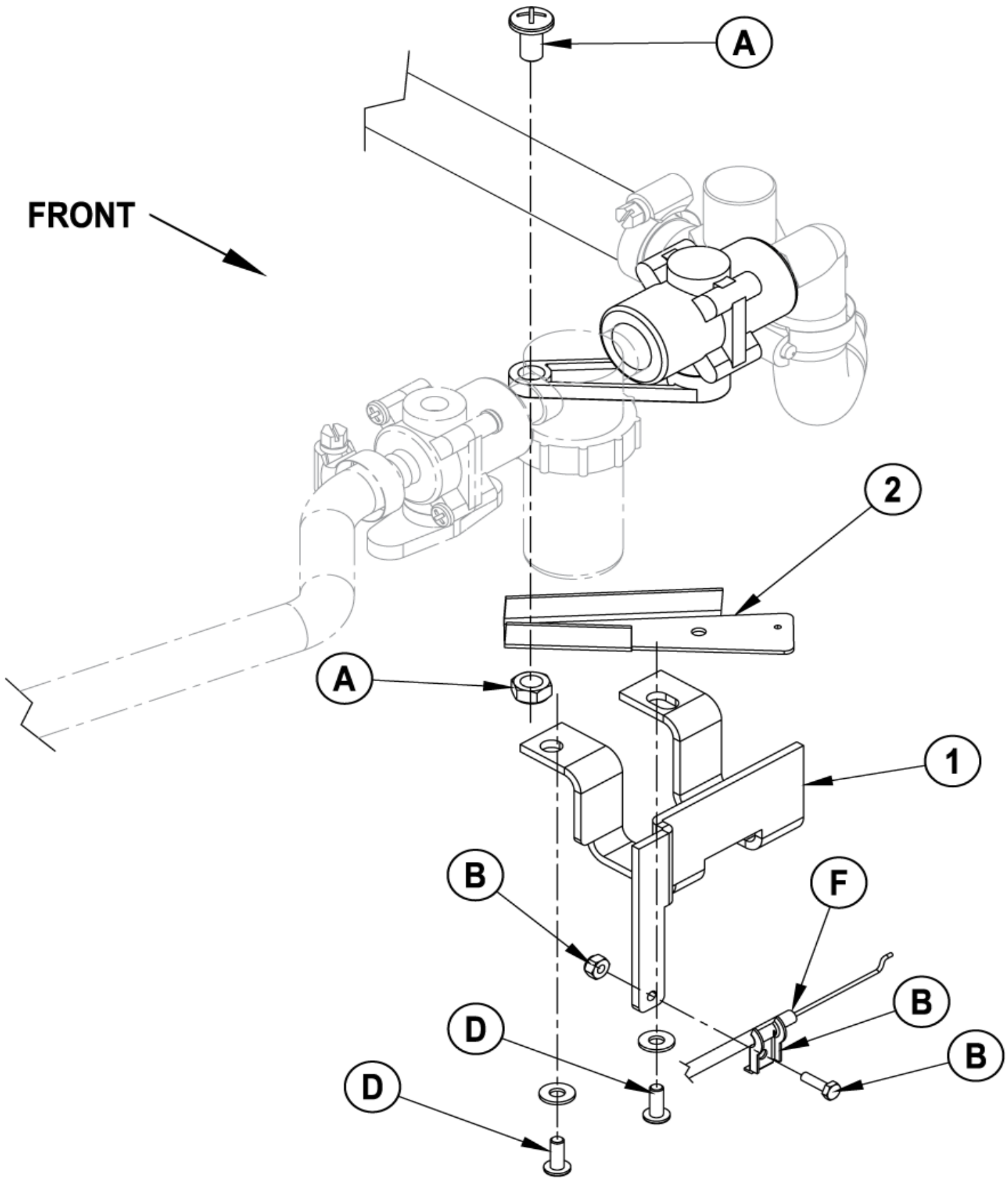
56314919 - Flow Control Kit

BR 600S/650S/700S/800S+C

23-04-2010

Part List ID
IS56040841

103



56314919 - Flow Control Kit

BR 600S/650S/700S/800S+C

23-04-2010

Part List ID
IS56040841

104

Pos	Part no.	Qty	Description	EAN
1	56314881	1	BRACKET VALVE	
2	56314882	1	BRACKET WATER VALVE	
3	56015445	1	DECAL SOLUTION FLOW	

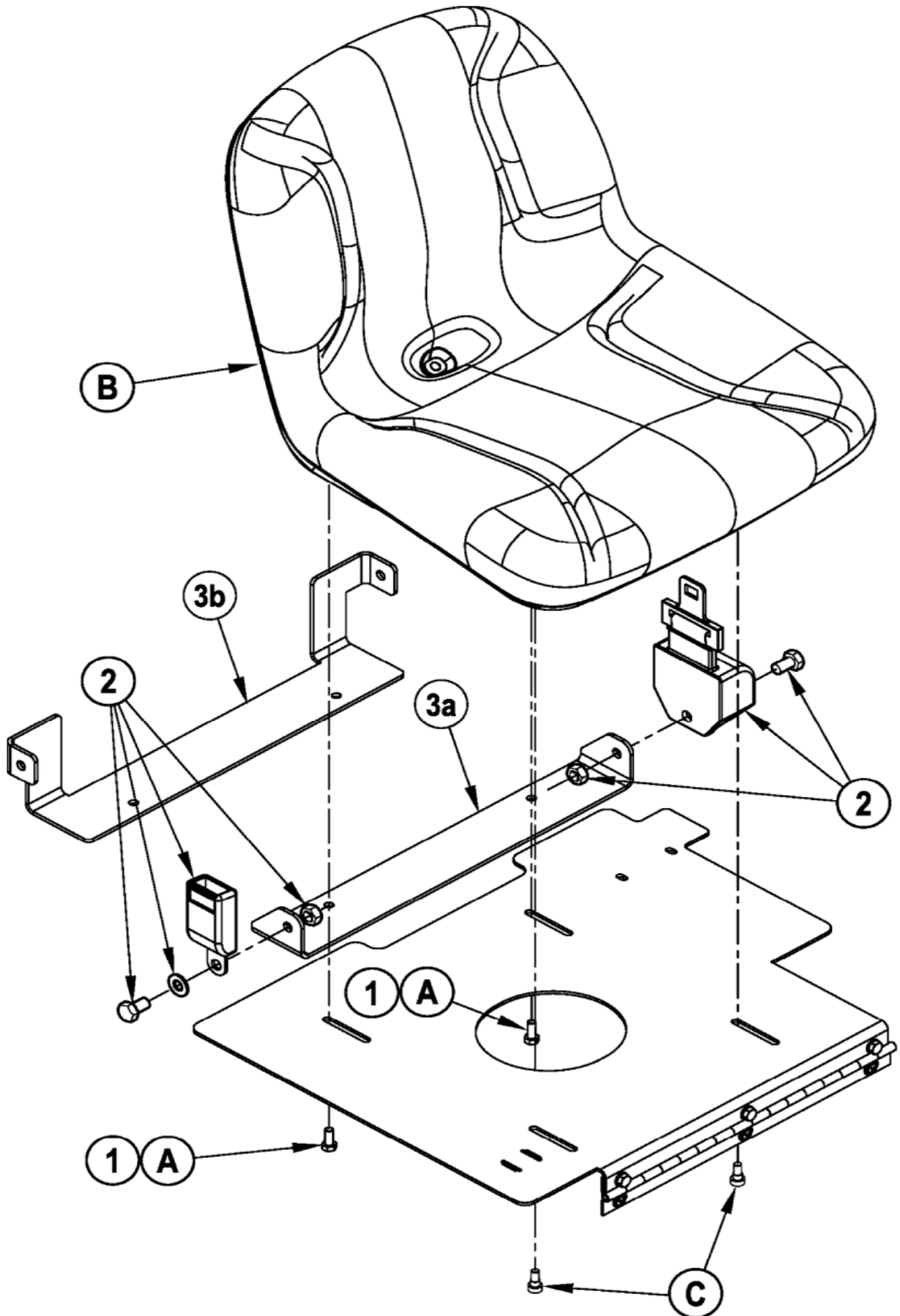
56314312/56422162 - Seat Belt Kit

BR 600S/650S/700S/800S+C

23-04-2010

Part List ID
IS56040846

105



56314312/56422162 - Seat Belt Kit

BR 600S/650S/700S/800S+C

23-04-2010

Part List ID
IS56040846

106

Pos	Part no.	Qty	Description	EAN
	56040846	1	INSTRUCTION SHEET	
1	56003179	2	SCR HEX THD/HD M8 1.25X20MM	
2	56314962	1	SEAT BELT KIT	INCLUDES HARDWARE
3A	56314961	1	SEAT BELT BRACKET	FOR 56314312
3B	56422160	1	BRACKET SEAT BELT	FOR 56422162

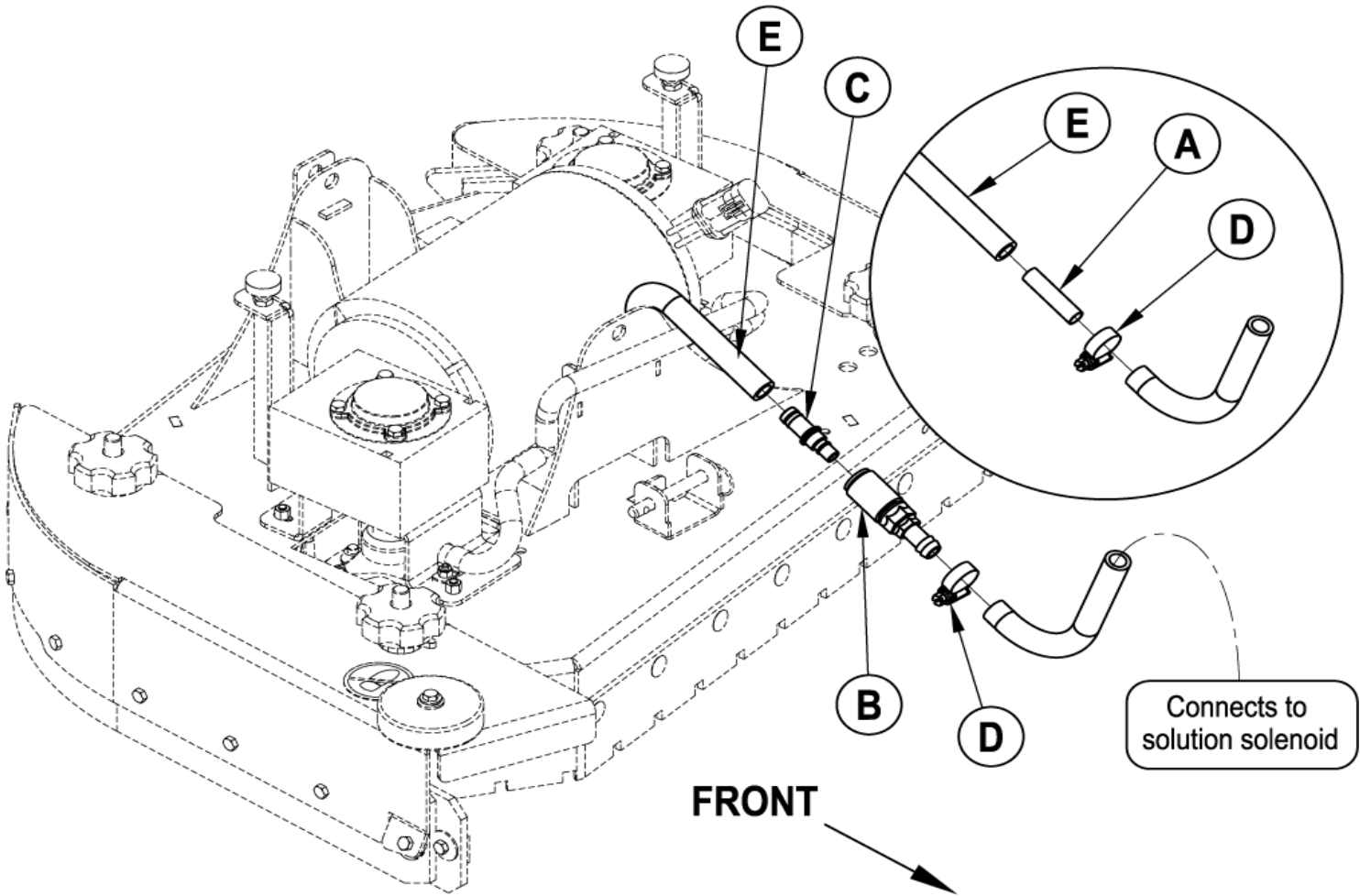
56314905 - Solution Flow Kit

BR 600S/650S/700S/800S+C

23-04-2010

Part List ID
IS56040851

107



56314905 - Solution Flow Kit

BR 600S/650S/700S/800S+C

23-04-2010

Part List ID
IS56040851

108

Pos	Part no.	Qty	Description	EAN
A	56314904	1	TUBE	

Note: 28" disk deck assembly shown, same basic procedure for all models.

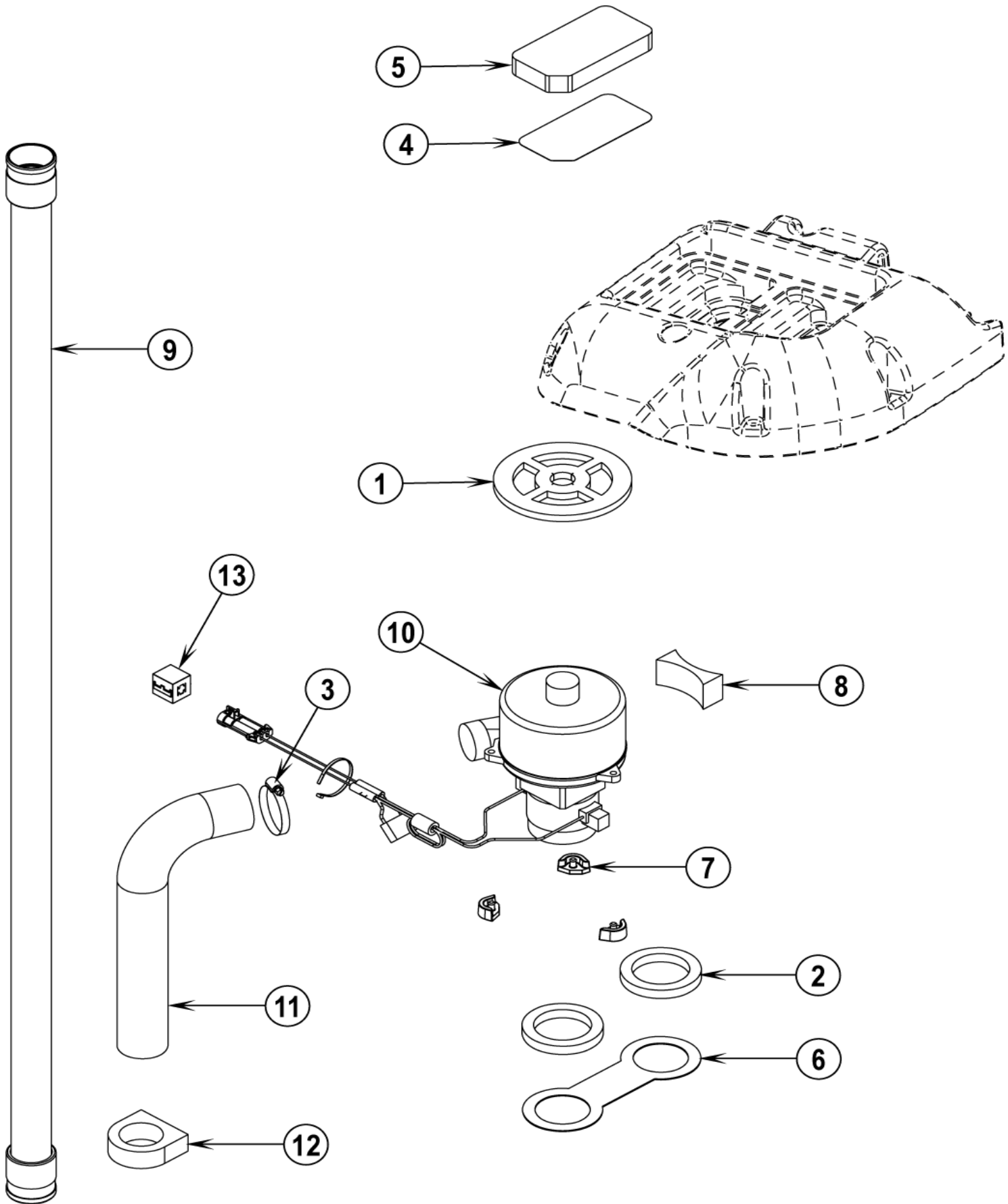
56316186 - Dual Vac Motor Kit

BR 600S/650S/700S/800S+C

23-04-2010

Part List ID
IS56040892

109



56316186 - Dual Vac Motor Kit

BR 600S/650S/700S/800S+C

23-04-2010

Part List ID
IS56040892

110

Pos	Part no.	Qty	Description	EAN
1	56314704	1	GASKET	
2	56314760	2	GASKET VACUUM DUCT	
3	56440213	1	CLAMP HOSE SAE 32E00047	
4	56314372	1	SCREEN FILTER	
5	56314373	1	FILTER	
6	56314377	1	PLATE SEPARATOR 2 MOTOR	2 MTR
7	56314484	3	MOUNT VIBRATION	
8	56314708	1	FOAM SPACER	
9	56314535	1	VAC HOSE ASSY. 1.75	
10	56410065	1	VAC MOTOR ASSY	
11	56459937	1	HOSE VAC 2.00 X 20 BLACK	
12	56314761	1	GASKET HOSE	

146 2112 000 - On Board Charger Kit

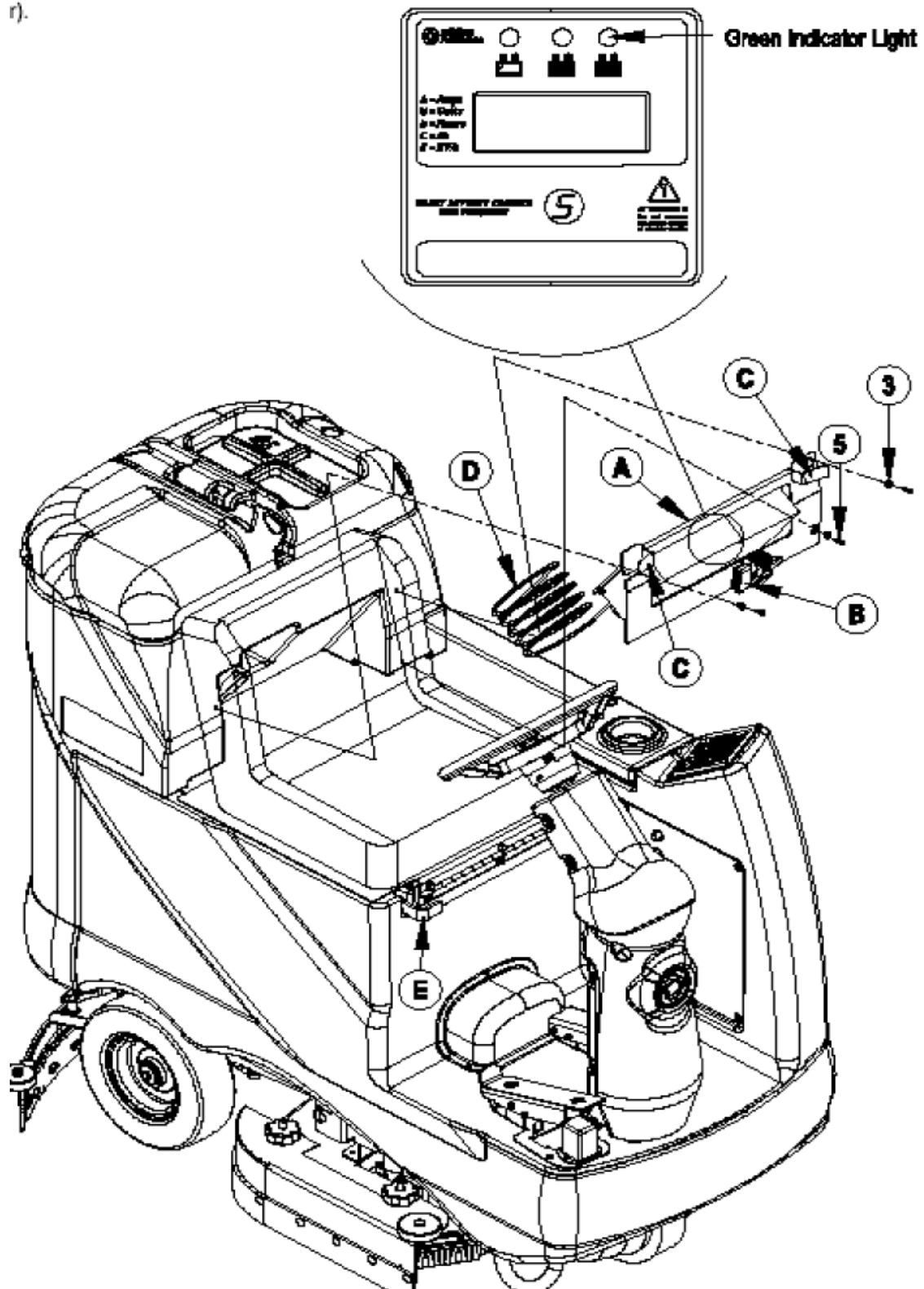
BR 600S/650S/700S/800S+C

23-04-2010

Part List ID
1462111000

111

n).



146 2112 000 - On Board Charger Kit

BR 600S/650S/700S/800S+C

23-04-2010

Part List ID
1462111000

112

Pos	Part no.	Qty	Description	EAN
	146 2111 000	1	INSTRUCTIONS INSTALLATIONBATTERY CHARGER	
1	56002768	6	NUT HEX NYL LOC 10 24	NOTE
2	56002840	2	NUT HEX NYL LOC THIN 1/4 20	NOTE
3	56412310	3	BUSHING STEPPED	NOTE
4	56001993	6	SCREW 10 24 X 0.5 ZINC PL	NOTE
5	56002124	3	SCREW10 24 X .62 PNH PH	NOTE
6	56002825	2	SCR PAN PHIL 1/4 20 X 1.25	NOTE
7	146 2113 000	1	CHARGER BATTERY 36V 25A ADVENGER/BR/BRX	5711140042
8	146 2110 000	1	BUCKET, BATT.CHARGER	

NOTE: This part is included in kit: 146 2108 000