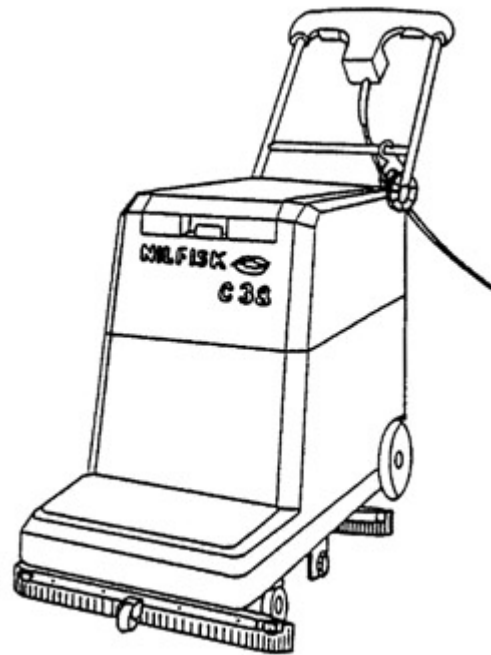


C 38

Model:
C 38



Part List US-English

06-06-2011

Table of Contents

C 38

SPARE PARTS ACCESSORIES	3
SPARE PARTS ACCESSORIES	5
SPARE PARTS ACCESSORIES	7
SPARE PARTS ACCESSORIES	9
SPARE PARTS ACCESSORIES	11
SPARE PARTS ACCESSORIES	13
SPARE PARTS ACCESSORIES	16
SPARE PARTS ACCESSORIES	18
SPARE PARTS ACCESSORIES	20
SPARE PARTS ACCESSORIES	22
SPARE PARTS ACCESSORIES	24
SPARE PARTS ACCESSORIES	26
SPARE PARTS ACCESSORIES	29
SPARE PARTS ACCESSORIES	32
SPARE PARTS ACCESSORIES	34
SPARE PARTS ACCESSORIES	36
SPARE PARTS ACCESSORIES	39
SPARE PARTS ACCESSORIES	41
SPARE PARTS ACCESSORIES	43
Brushes, pads etc.	45

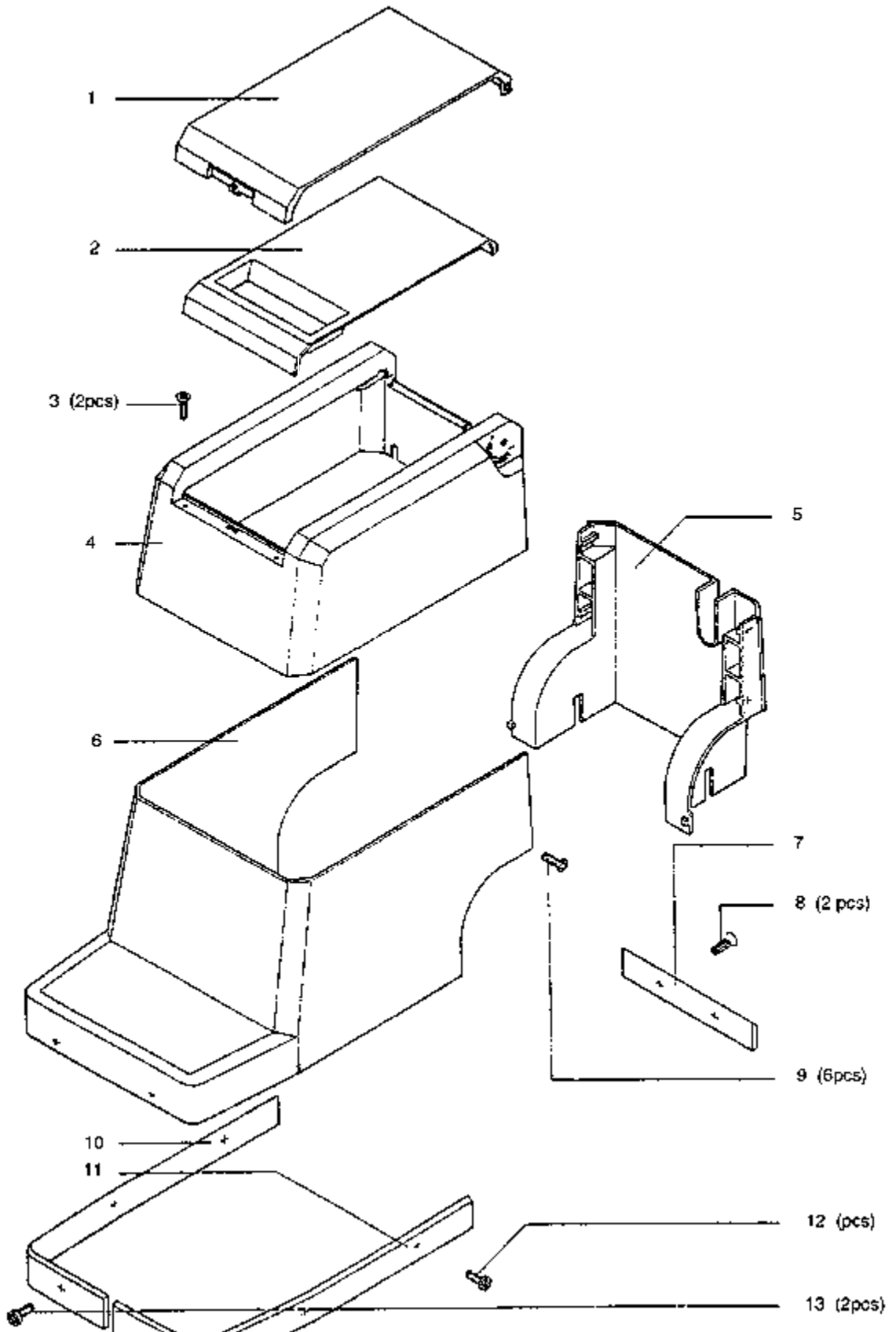
SPARE PARTS ACCESSORIES

C 38

06-06-2011

Part List ID
EX6612

3



SPARE PARTS ACCESSORIES

C 38

06-06-2011

Part List ID

EX6612

4

Pos	Part no.	Qty	Description	EAN
1	L08600004	1	LID FOR C38	
2	L08600005	1	BASE FOR C38	
3	L08348200	2	SCREW 2.9X9.5 UNI6954 THD FORM	5711140012
4	L08600002	1	CABINET, UPPER PART C38	
6	L08600001	1	CABINET LOWER PART C38	
7	L08600145	1	BUTT EDGE C38	
8	L08600963	2	SCREW M6X20	
9	L08600205	6	SCREW FOR CONSOLE C 38	
10	L08600010	1	BUTT EDGE C38	
11	L08600010	1	BUTT EDGE C38	
12	L08600963	4	SCREW M6X20	
13	L08600342	2	SCREW M 6X25 VA	

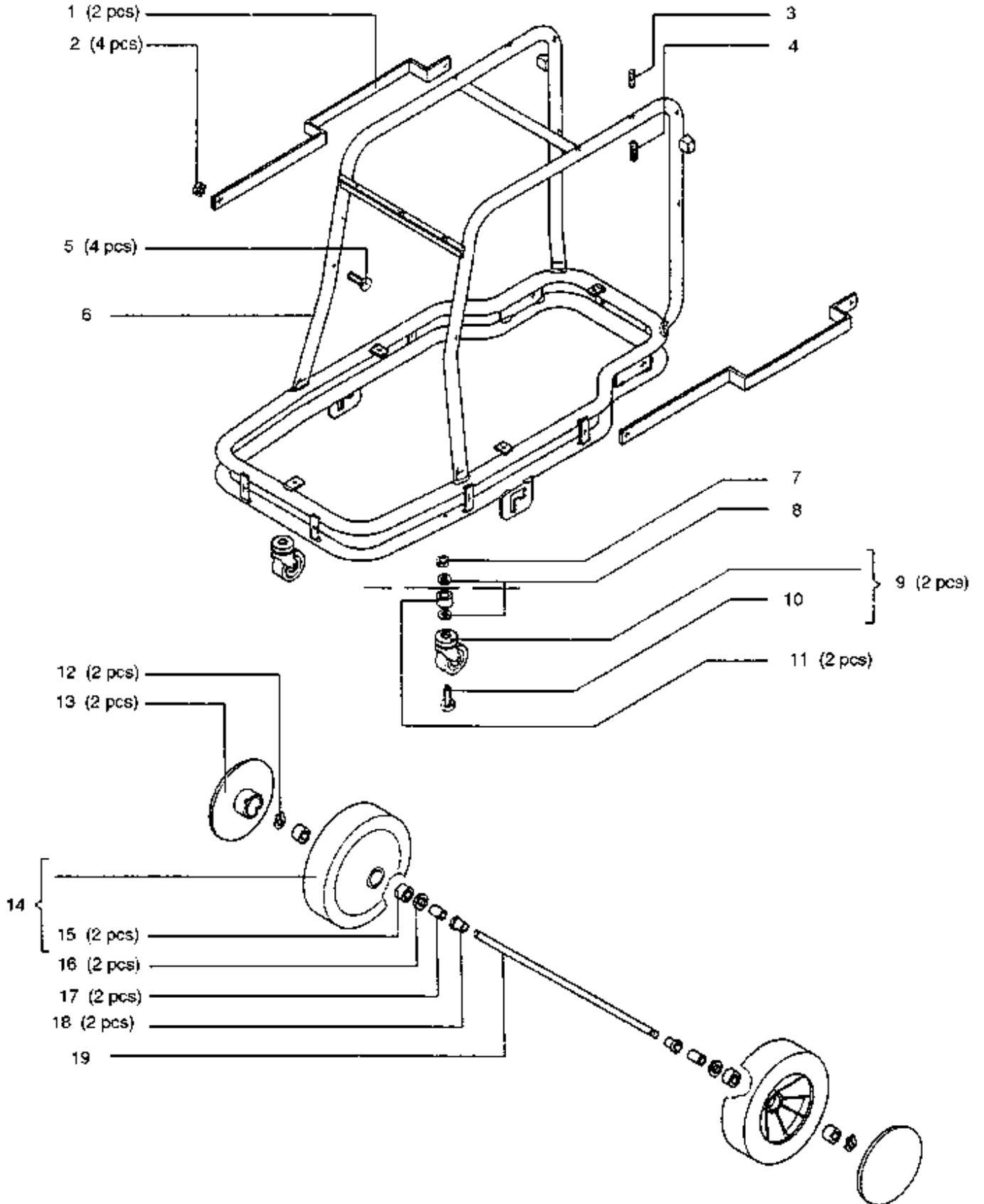
SPARE PARTS ACCESSORIES

06-06-2011

Part List ID
EX6613

C 38

5



SPARE PARTS ACCESSORIES

C 38

06-06-2011

Part List ID
EX6613

6

Pos	Part no.	Qty	Description	EAN
1	L08600032	2	BRACE C38	
2	33005607	4	NUT SELF L. M8 UNI7474	5711140066
3	L08600257	1	SCREW C38	
4	L08052200	1	SPRING 510B-3	
5	L08600203	4	SCREW C38	
7	L08600137	2	HEXAGONAL NUT	
8	L08215400	4	PAD	
9	L08600255	2	WHEEL C38	
10	L08600322	1	SCREW	
11	L08600438	1	BUSH	
12	L08044600	2	RING RADIAL D 10 UNI7434	5711140012
13	L08600030	2	HUB CAP C38	
14	L08600416	1	WHEEL FOR C38	
15	L08600134	2	BEARING	
16	L08183300	2	WASHER	
17	L08600036	2	BUSHING C38	
18	L08600033	2	BUSHING C38	
19	L08600035	1	AXLE C38	

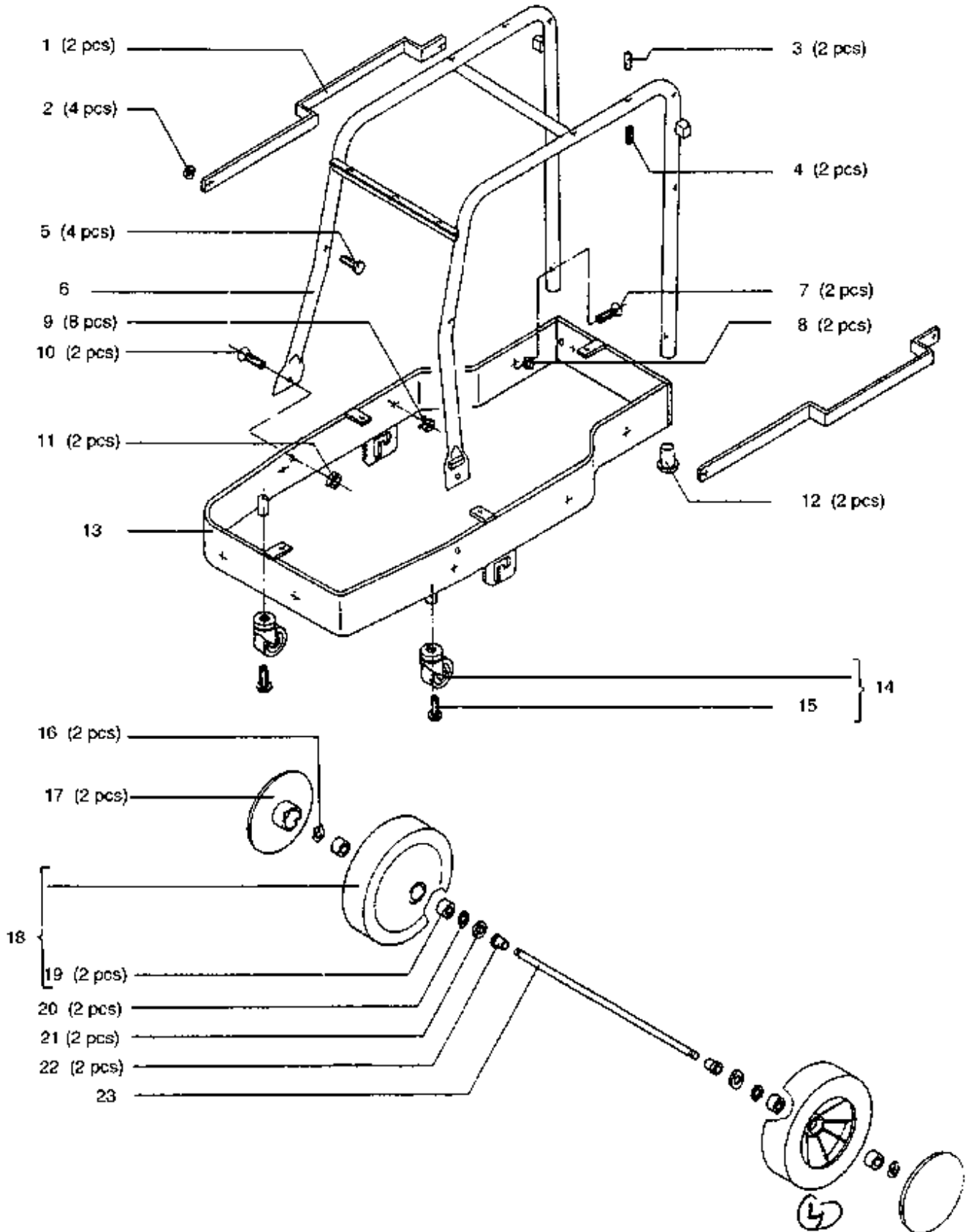
SPARE PARTS ACCESSORIES

06-06-2011

Part List ID
EX6614

C 38

7



SPARE PARTS ACCESSORIES

C 38

06-06-2011

Part List ID
EX6614

8

Pos	Part no.	Qty	Description	EAN
1	L08600032	2	BRACE C38	
2	33005607	4	NUT SELF L. M8 UNI7474	5711140066
3	L08600257	2	SCREW C38	
4	L08052200	2	SPRING 510B-3	
5	L08600203	4	SCREW C38	
8	33005607	2	NUT SELF L. M8 UNI7474	5711140066
9	L08600969	8	NUT M6	
10	L08600745	2	COUNTERSUNK SCREW M8X20	
11	33005607	2	NUT SELF L. M8 UNI7474	5711140066
13	L08600950	1	LOWER FRAME (SPARE PART O	
15	145 5742 000	1	SCREW M10X20 UNI5931	5711140029
16	L08044600	2	RING RADIAL D 10 UNI7434	5711140012
17	L08600030	2	HUB CAP C38	
18	L08600416	1	WHEEL FOR C38	
19	L08600134	2	BEARING	
20	L08163500	2	SPRING DISK	
21	L08183300	2	WASHER	
22	L08600033	2	BUSHING C38	
23	L08600035	2	AXLE C38	

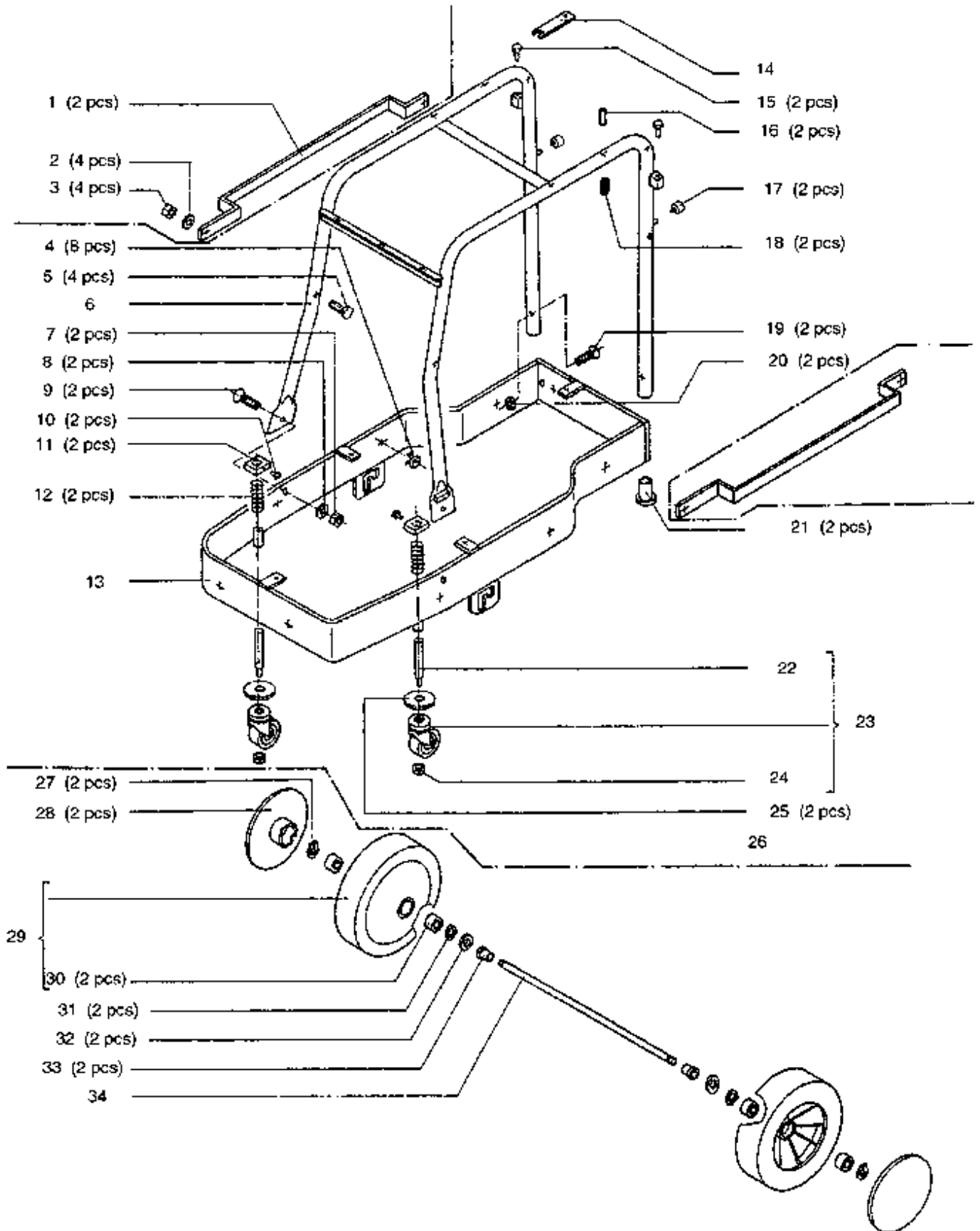
SPARE PARTS ACCESSORIES

06-06-2011

Part List ID
EX6615

C 38

9



SPARE PARTS ACCESSORIES

C 38

06-06-2011

Part List ID
EX6615

10

Pos	Part no.	Qty	Description	EAN
1	L08600032	2	BRACE C38	
2	33005915	4	WASHER M8 UNI6592	5711140067
3	33005504	4	NUT HEX M8 UNI5588	5711140065
4	L08600969	8	NUT M6	
5	L08600203	4	SCREW C38	
6	L08601099	1	UPPER FRAME	
9	L08600745	2	COUNTERSUNK SCREW M8X20	
10	L08601111	2	CYLINDER SCREW M5X12,A2	
11	L08601114	2	PLATE FOR COMPRESSION	
12	L08601116	2	COMPRESSION SPRING	
14	L08601138	1	KEY FOR ADJUSTMENT C38	
15	L08601122	2	STOP SCREW	
16	L08600257	2	SCREW C38	
17	L08601080	2	BUFFER	
18	L08052200	2	SPRING 510B-3	
19	L08152100	2	SCREW M8X40 FOR BAYONET RING	
20	33005607	2	NUT SELF L. M8 UNI7474	5711140066
22	L08601112	1	THREADED BOLT	
23	L08601121	1	WHEEL	
24	L08250900	1	NUT	
25	L08601113	2	NUT THREADED	
26	L08601098	1	TUBULAR FRAME (SPARE PART	
27	L08044600	2	RING RADIAL D 10 UNI7434	5711140012
28	L08600030	2	HUB CAP C38	
29	L08600416	1	WHEEL FOR C38	
30	L08600134	2	BEARING	
31	L08163500	2	SPRING DISK	
32	L08183300	2	WASHER	
33	L08600033	2	BUSHING C38	
34	L08600035	1	AXLE C38	

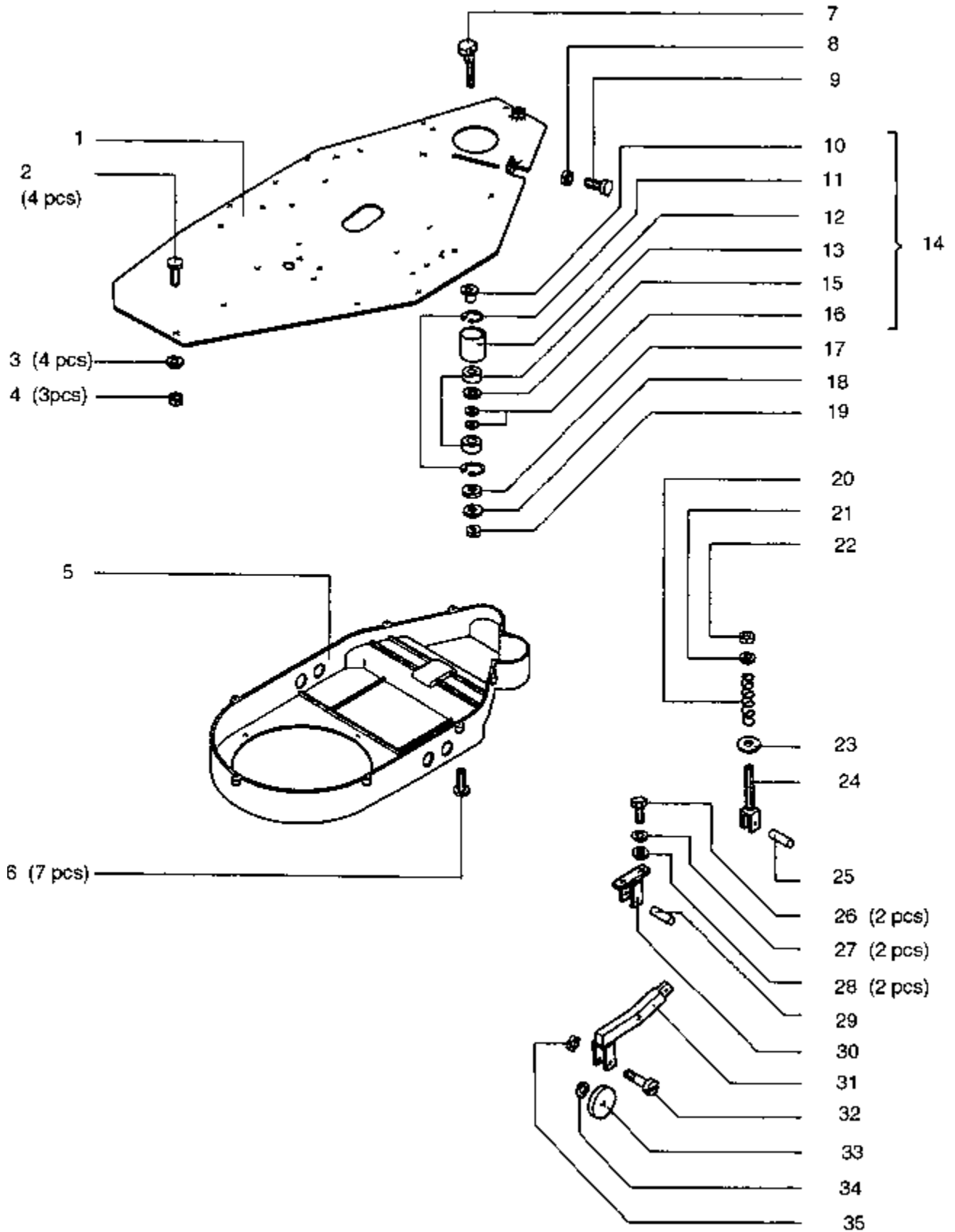
SPARE PARTS ACCESSORIES

C 38

06-06-2011

Part List ID
EX6616

11



SPARE PARTS ACCESSORIES

C 38

06-06-2011

Part List ID
EX6616

12

Pos	Part no.	Qty	Description	EAN
2	L08299600	4	SCREW C38	
3	33005915	4	WASHER M8 UNI6592	5711140067
4	33005504	3	NUT HEX M8 UNI5588	5711140065
5	L08600076	1	BRACKET FOR MOTOR C38	
6	L08600356	7	SCREW M4X16 C38	
7	L08600047	1	SCREW C38	
8	33005502	1	NUT HEX M6 UNI5588	5711140065
9	L08600217	1	SCREW C38	
10	L08601195	1	SLEEVE, LUBRICATED	
11	L08601011	1	WASHER	
12	L08601197	1	BUSHING, LUBRICATED	
13	L08600243	1	BEARING C38	
14	L08600242	1	PULLEY WHEEL COMPLETE FOR C38	
15	L08601057	1	PAD	
16	L08163400	1	WASHER 15	5711140012
17	L08601128	1	DISC	
18	L08236200	1	SCRUBBER	
19	33005504	1	NUT HEX M8 UNI5588	5711140065
20	L08081400	1	SPRING FOR HANDLE ROD	
21	L08215400	1	PAD	
22	L08600137	1	HEXAGONAL NUT	
23	L08215400	1	PAD	
24	L08600143	1	SPRING CONTROL C38	
25	L08600206	1	PIN C38	
26	L08601856	2	HEXAGON SCREW M6X20 VZ	
27	L08035800	2	PAD C38	
28	33005913	2	WASHER M6 UNI6592	5711140067
29	L08600206	1	PIN C38	
30	L08600141	1	FORK C38	
31	L08600147	1	FORK PIECE C38	
32	L08600144	1	BOLT FOR FORK	
33	L08600254	1	WHEEL C38	
34	L08600148	1	SLEEVE C38	
35	33005691	1	NUT HEX M5 UNI5588	5711140066

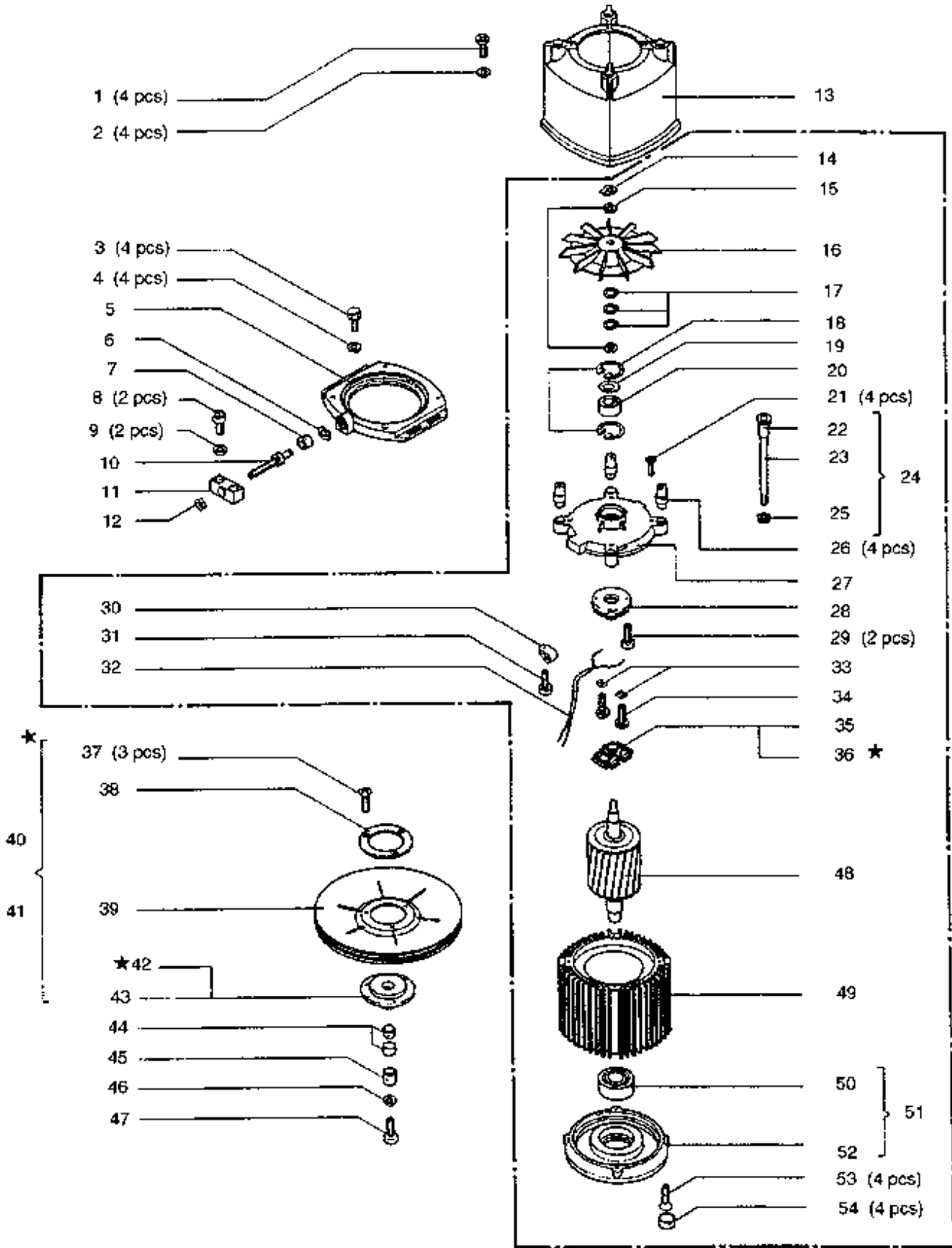
SPARE PARTS ACCESSORIES

C 38

06-06-2011

Part List ID
EX6617

13



SPARE PARTS ACCESSORIES

C 38

06-06-2011

Part List ID
EX6617

14

Pos	Part no.	Qty	Description	EAN
1	L08182800	4	SCREW M5X25	
2	L08241500	4	WASHER M5 UN16592 SS	5711140012
3	L08299600	4	SCREW C38	
4	L08600337	4	PAD	
5	L08328300	1	MOTOR CARRIAGE	
6	L08339500	1	CIRCLIP	
7	L08600082	1	BUSH	
8	L08293300	2	CYLINDER SCREW M8X35	
9	L08236200	2	SCRUBBER	
10	L08329400	1	SCREW JACK	
11	L08333300	1	BEARING BLOCK	
12	L08339300	1	HEXAGON NUT	
13	L08604341	1	MOTOR HOOD.	
14	L08182600	1	WASHER	
15	L08183300	1	WASHER	
16	L08166900	1	VENTILATION WHEEL	
17	L08163500	1	SPRING DISK	
18	L08040900	1	RING	
20	L08040800	1	BEARING	
21	L08199800	4	COUNTERSUNK SCREW M5X25	
22	L08167300	1	SPECIAL NUT	
25	L08081100	1	NUT C38	
26	L08185500	4	INSULATING BUSH	
27	L08185300	1	MOTOR HOUSING TOP	
28	L08041000	1	DISCONNECTION UPPER PART	
29	L08041100	2	SCREW	
30	L08239900	1	CLAMP D.6 WHITE	5711140012
31	L08317500	1	SCREW AM 4X6 VZ DIN 7516	
32	L08600151	1	CABLE SET	
33	L08048400	1	BRACKET	
34	L08041100	1	SCREW	
35	L08041200	1	SWITCH LOWER PART	
36	L08045600	1	REVERSER	
37	L08600349	3	SCREW M 6X20 V2	
38	L08600096	1	PAD C38	
39	L08600063	1	PULLEY WHEEL C38	
41	L08600241	1	BELT PULLEY	
43	L08600064	1	DISC C38	
44	L08339700	1	TENSION SLEEVE C38	
45	L08600079	1	BUSHING C38	
46	L08236200	1	SCRUBBER	

SPARE PARTS ACCESSORIES

C 38

06-06-2011

Part List ID
EX6617

15

Pos	Part no.	Qty	Description	EAN
47	L08339800	1	SCREW 38	
48	L08337800	1	ROTOR WITH PIN	
50	L08051600	1	BALL BEARING	
51	L08184900	1	END PLATE	
53	L08183000	4	CYLINDER SCREW M5X16	
54	L08337900	4	PLUG	

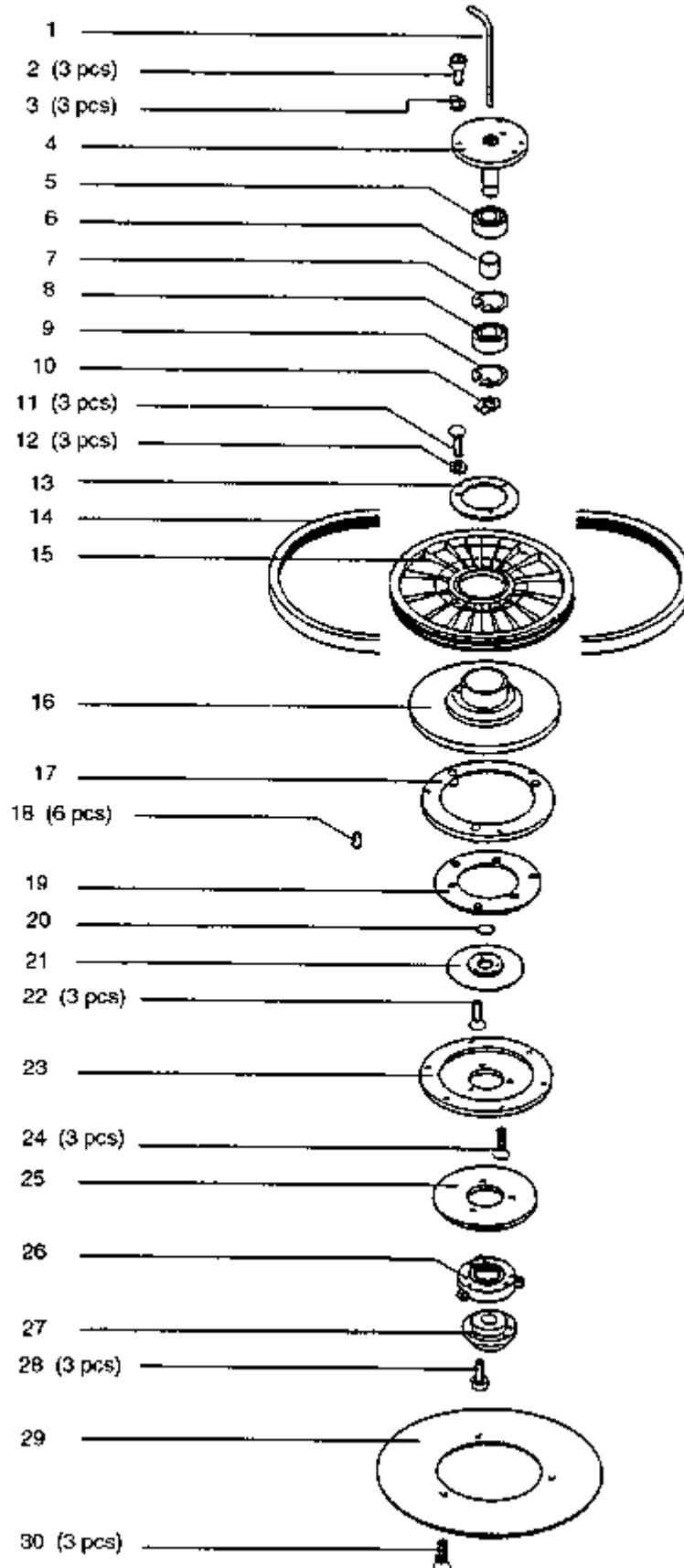
SPARE PARTS ACCESSORIES

06-06-2011

Part List ID
EX6618

C 38

16



SPARE PARTS ACCESSORIES

C 38

06-06-2011

Part List ID
EX6618

17

Pos	Part no.	Qty	Description	EAN
1	L08600098	1	TUBE C38	
2	L08259300	3	SCREW C38	
3	L08035800	3	PAD C38	
4	L08600065	1	PAD SCREW FOR C38	
5	L08183900	1	BALL BEARING	5711140012
6	L08600070	1	SLEEVE C38	
7	33006176	1	RING D 47 UNI7437	5711140067
8	L08183900	1	BALL BEARING	5711140012
9	33006176	1	RING D 47 UNI7437	5711140067
10	L08182700	1	RING D 22 SP.1.75 UNI7436	5711140012
11	L08259300	3	SCREW C38	
12	L08035800	3	PAD C38	
13	L08600097	1	PAD	
14	L08600245	1	DRIVE BELT C38	
15	L08600063	1	PULLEY WHEEL C38	
16	L08600067	1	DISC C38	
17	L08600071	1	RING C38	
18	L08600225	6	PIN C38	
19	L08600072	1	DISC RUBBER C38	
20	L08600310	1	SEAL C38	
21	L08600073	1	CAP C38	
22	L08042500	3	COUNTERSUNK SCREW M8X16	
24	L08035400	3	COUNTERSUNK SCREW M6X16	
25	L08600419	1	RING D120X5	
26	L08600080	1	RING FOR CENTRE BUSHING C38	
27	L08600081	1	CENTRE BUSHING C38	
28	L08600023	3	SCREW C38	
29	L08600083	1	DISC C38	
30	L08600230	3	SCREW C38	

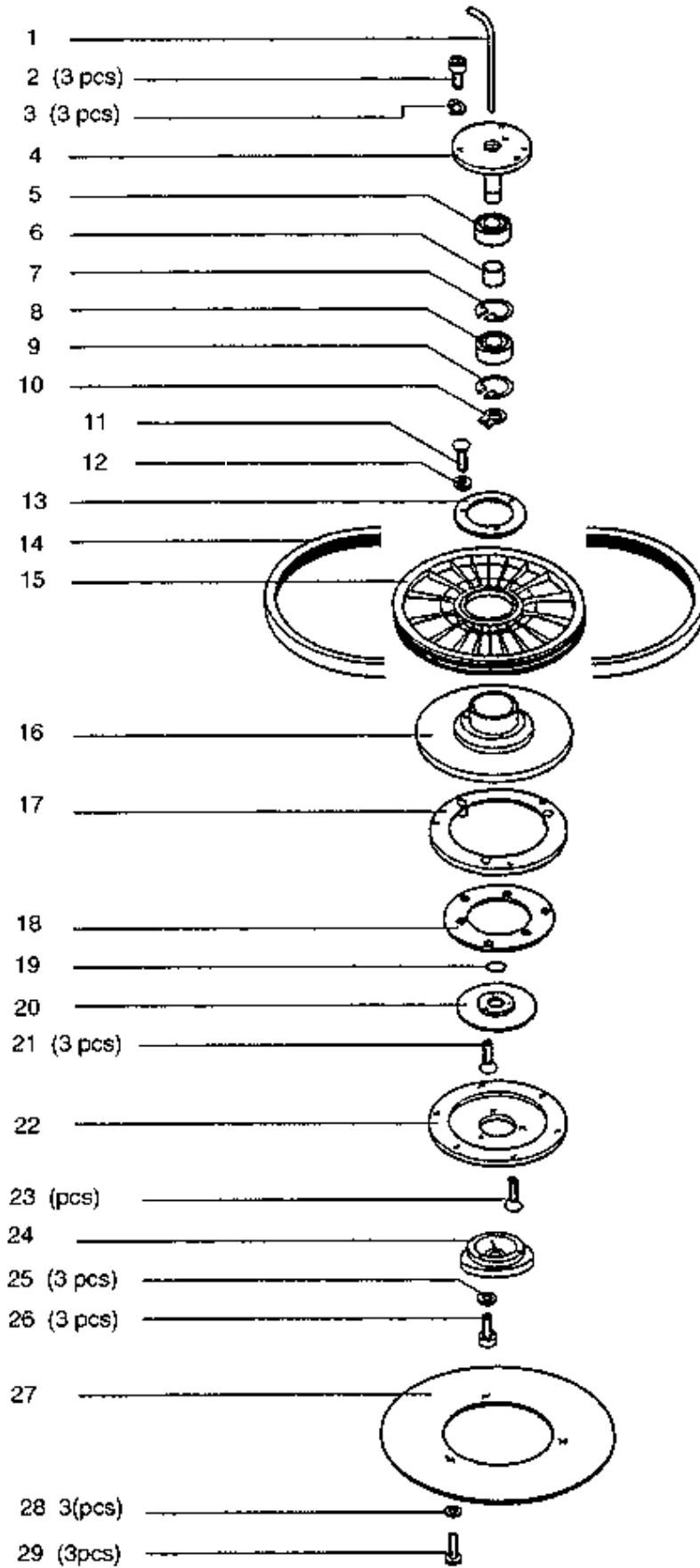
SPARE PARTS ACCESSORIES

06-06-2011

Part List ID
EX6619

C 38

18



SPARE PARTS ACCESSORIES

C 38

06-06-2011

Part List ID
EX6619

19

Pos	Part no.	Qty	Description	EAN
1	L08600098	1	TUBE C38	
2	L08259300	3	SCREW C38	
3	L08035800	3	PAD C38	
4	L08600065	1	PAD SCREW FOR C38	
5	L08183900	1	BALL BEARING	5711140012
6	L08600070	1	SLEEVE C38	
7	33006176	1	RING D 47 UNI7437	5711140067
8	L08183900	1	BALL BEARING	5711140012
9	33006176	1	RING D 47 UNI7437	5711140067
10	L08182700	1	RING D 22 SP.1.75 UNI7436	5711140012
11	L08259300	3	SCREW C38	
12	L08035800	3	PAD C38	
13	L08600097	1	PAD	
14	L08600245	1	DRIVE BELT C38	
15	L08600063	1	PULLEY WHEEL C38	
16	L08600067	1	DISC C38	
17	L08600071	1	RING C38	
18	L08600072	1	DISC RUBBER C38	
19	L08600310	1	SEAL C38	
20	L08600073	1	CAP C38	
21	L08042500	3	COUNTERSUNK SCREW M8X16	
22	L08601078	1	FLANGE PLATE FOR C38	
23	L08600349	3	SCREW M 6X20 V2	
24	L08600467	1	BRUSH TOP POLY GON C38	
25	L08353300	3	WASHER NORD LOCK M6	5711140012
26	L08061800	3	SCREW M 6X30 C38	
28	L08035800	3	PAD C38	
29	L08232600	3	SCREW M6X25 UNI5739 8.8 SCOTH-GRIP 2510	5711140012

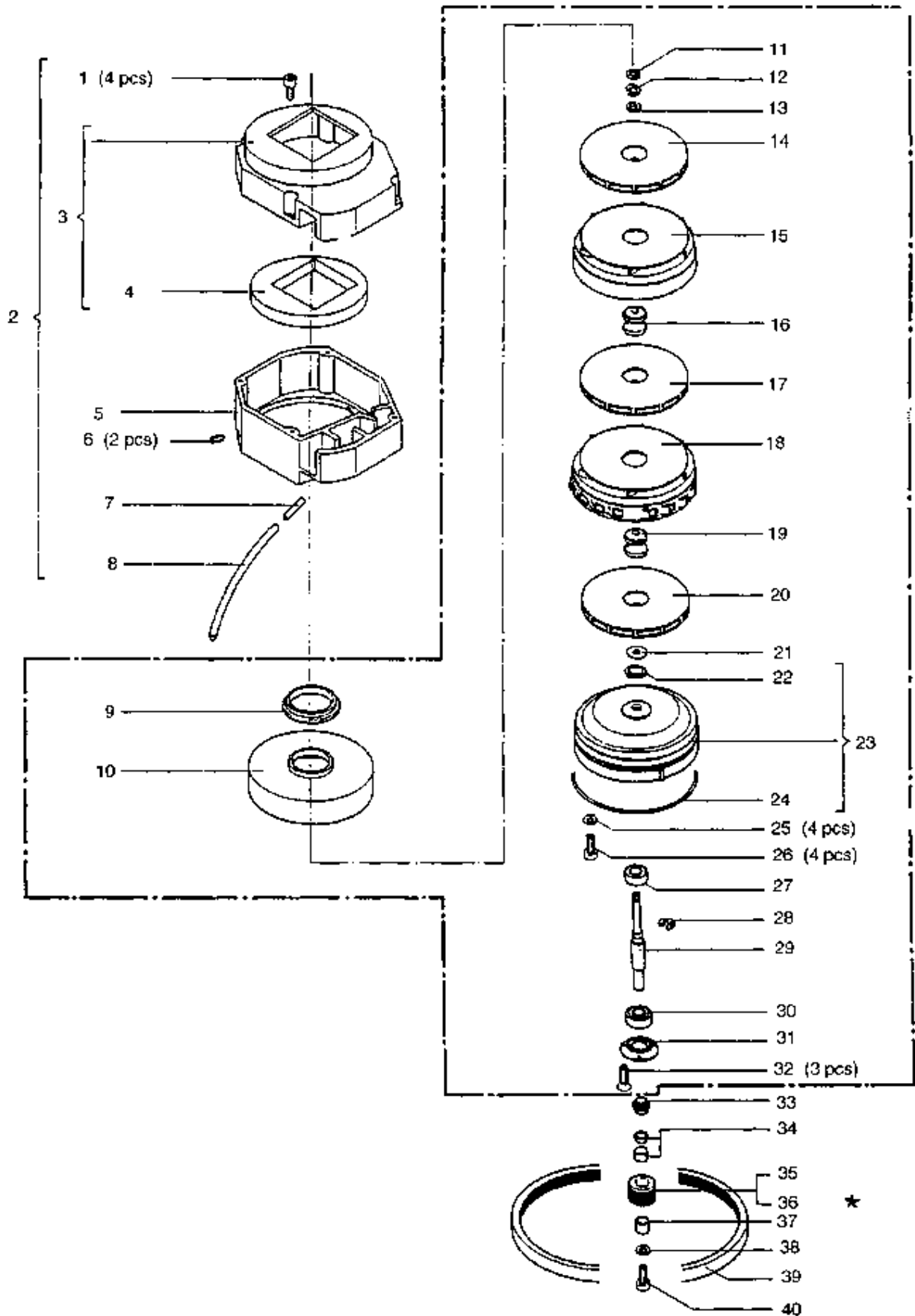
SPARE PARTS ACCESSORIES

06-06-2011

Part List ID
EX66110

C 38

20



SPARE PARTS ACCESSORIES

C 38

06-06-2011

Part List ID
EX66110

21

Pos	Part no.	Qty	Description	EAN
1	L08249100	4	SCREW	
2	L08600982	1	HOUSING, CPL.	
3	L08600982	1	HOUSING, CPL.	
4	L08601069	1	FOAM PIECE	
6	L08601060	2	PIN M6X10	
7	L08600985	1	TUBE	
8	L08601061	1	HOSE	
9	L08600077	1	RUBBER RING	
10	L08600051	1	COVER	
11	L08250900	1	NUT	
12	L08244100	1	PAD C38	
13	L08600057	1	PAD C38	
14	L08600013	1	TRACK WHEEL C38	
15	L08600052	1	BEARING LINING	
16	L08600059	1	SLEEVE C38	
17	L08600013	1	TRACK WHEEL C38	
18	L08600053	1	BEARING LINING	
19	L08600059	1	SLEEVE C38	
20	L08600013	1	TRACK WHEEL C38	
21	L08600057	1	PAD C38	
22	L08600370	1	SEAL	
23	L08600054	1	TURBINE HOUSING C38	
24	L08600363	1	SEAL	
25	L08035800	4	PAD C38	
26	L08043800	4	CYLINDER SCREW M6X16	
27	L08040800	1	BEARING	
28	L08075600	1	SEEGER RING	
29	L08600055	1	SHAFT FOR TURBINE C38	
30	L08600197	1	BALL BEARING C38	
31	L08600058	1	BEARING LINING	
32	L08345400	3	SCREW C38	
33	L08600056	1	BUSHING C38	
34	L08600199	1	LOCK SET	
35	L08600066	1	PULLEY C38	
36	L08600346	1	PAD TURBINE 60 HZ	
37	L08600048	1	BUSHING C38	
38	L08035800	1	PAD C38	
39	L08600246	1	DRIVE BELT C38	
40	L08259300	1	SCREW C38	

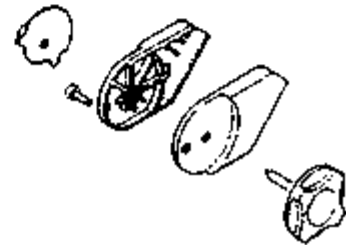
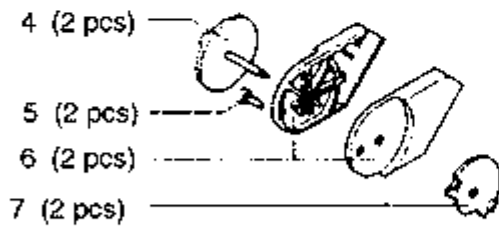
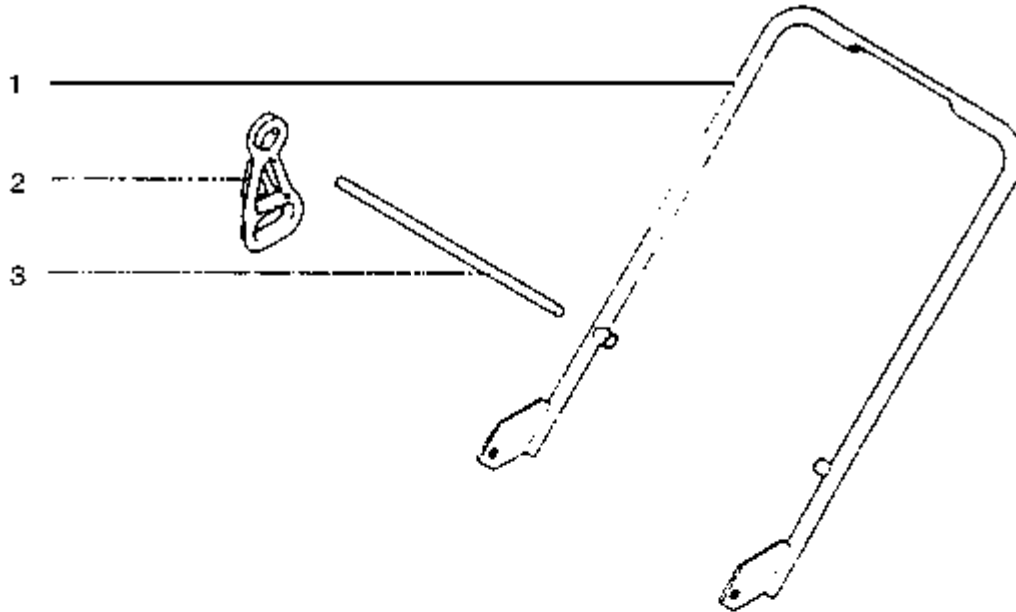
SPARE PARTS ACCESSORIES

C 38

06-06-2011

Part List ID
EX66111

22



SPARE PARTS ACCESSORIES

C 38

06-06-2011

Part List ID

EX66111

23

Pos	Part no.	Qty	Description	EAN
1	L08600133	1	HANDLEBAR C38	
2	L08602674	1	CABLE HOLDER C38	
4	L08600132	2	CLAMPING BUTTON	
5	L08093800	2	SCREW 2.9X16 UNI6954 THD FORMING	5711140012
6	L08600131	2	HOUSING C38	
7	L08600136	2	DISC C38	

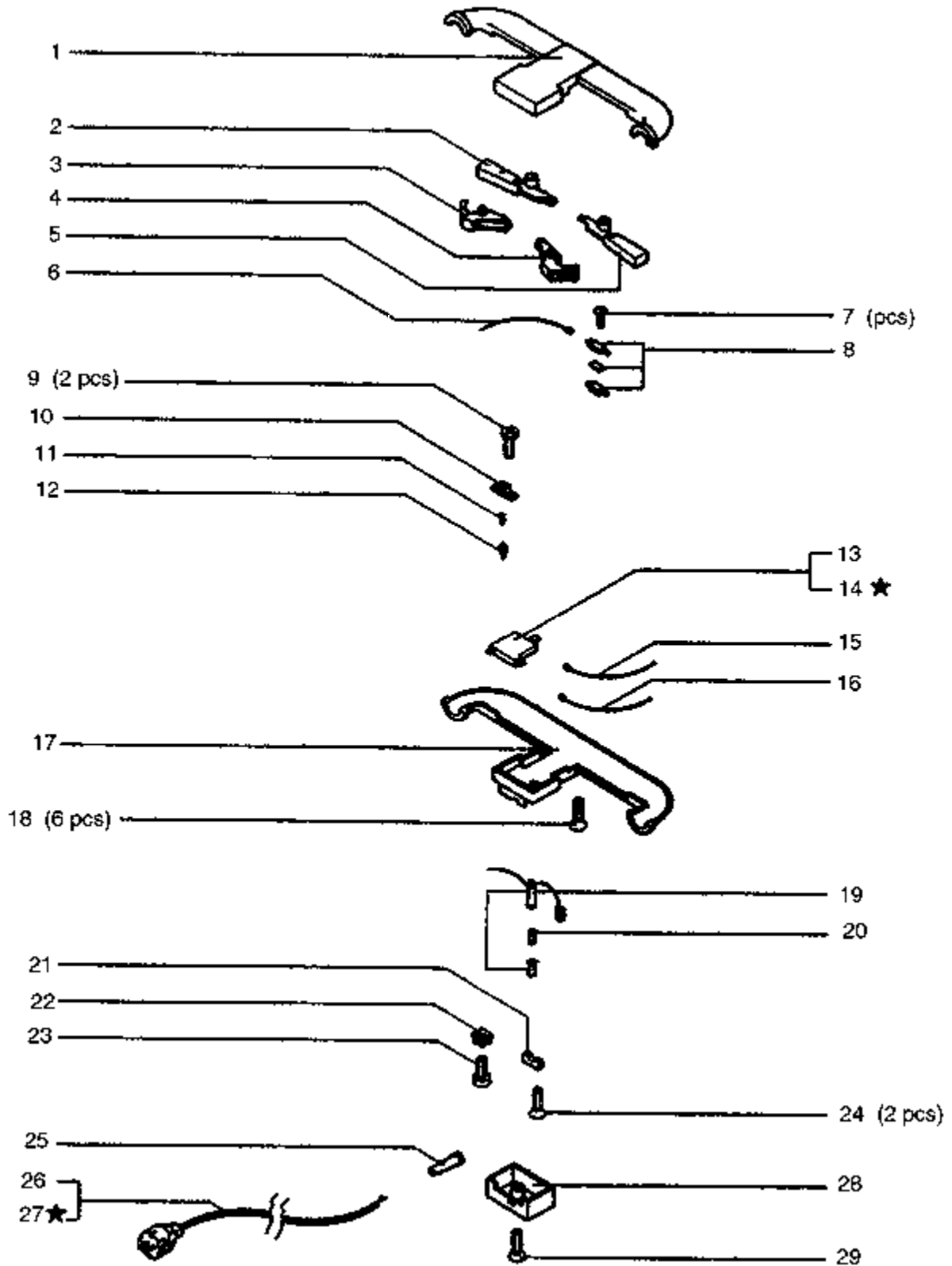
SPARE PARTS ACCESSORIES

06-06-2011

Part List ID
EX66112

C 38

24



SPARE PARTS ACCESSORIES

C 38

06-06-2011

Part List ID
EX66112

25

Pos	Part no.	Qty	Description	EAN
1	L08600117	1	SWITCH HOUSING C38	
2	L08600124	1	SWITCH ARM C38	
3	L08600122	1	SWITCH ARM C38	
4	L08600122	1	SWITCH ARM C38	
5	L08600121	1	SWITCH ARM C38	
6	L08600158	1	CABLE C38	
7	L08600361	2	SCREW C38	
8	L08600174	1	CONTACT PART FOR CIRCUIT	
9	L08600173	2	SCREW C38	
10	L08600115	1	HOLDER C38	
11	L08600170	1	SPRING C38	
12	L08600169	1	BOLT C38	
13	L08600175	1	MICRO BREAKER C38	
14	L08600348	1	SWITCH 15A/110V	
15	L08600160	1	CABLE C38	
16	L08600161	1	CABLE C38	
17	L08600118	1	SWITCH HOUSING C38	
18	L08600166	6	SCREW C38	
19	L08600162	1	CABLE MED HOLDER C38	
20	L08600178	1	FUSE C38	
21	L08600168	1	BLOCK CABLE FIXING	5711140012
22	L08187300	1	BOARD TERMINAL 2 ELEMENT	5711140012
23	L08600176	1	SCREW C38	
24	L08600172	2	SCREW C38	
25	L08081700	1	CABLE SLEEVE HANDLE	
26	L08227100	1	CABLE FOR C38/C51 20M	
27	L08227800	1	CABLE POWER SUPPLY WITHOUT PLUG	5711140012
28	L08600177	1	COVER C38	
29	L08600166	1	SCREW C38	

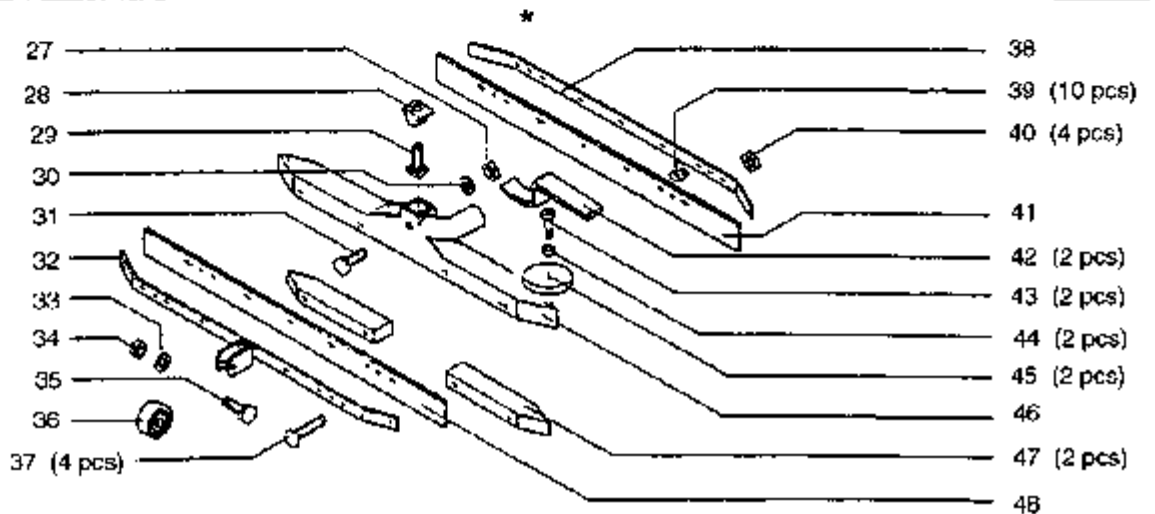
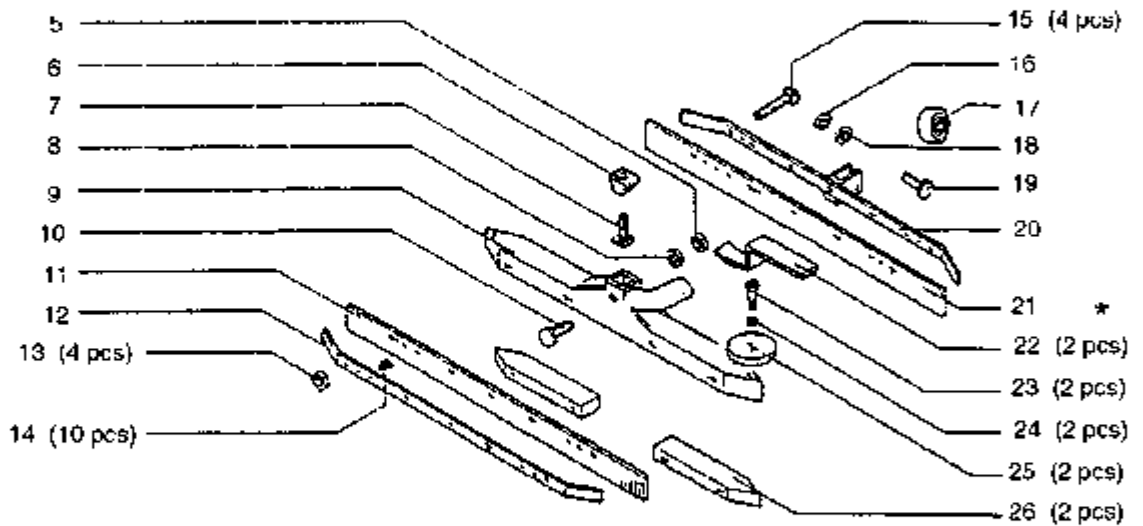
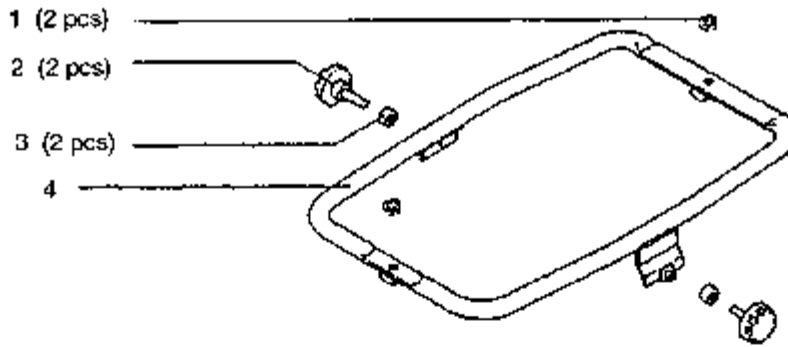
SPARE PARTS ACCESSORIES

06-06-2011

Part List ID
EX66113

C 38

26



SPARE PARTS ACCESSORIES

C 38

06-06-2011

Part List ID
EX66113

27

Pos	Part no.	Qty	Description	EAN
1	33005607	2	NUT SELF L. M8 UNI7474	5711140066
2	L08600028	2	CONTROL BUTTON C38	
3	L08600323	2	SLEEVE	
5	33005691	1	NUT HEX M5 UNI5588	5711140066
6	L08600101	1	SPACER C38	
7	L08600099	1	SCREW C38	
8	L08241500	1	WASHER M5 UNI6592 SS	5711140012
9	L08600212	1	BRACKET FOR NOZZLE C38	
10	L08600216	1	SCREW C38	
11	L08600038	1	RAIL C38	
12	L08600017	1	RAIL C38	
13	33005604	4	NUT SELF L. M6 UNI7474	5711140066
14	L08600326	10	BOLT C38	
15	L08600025	4	SCREW C38	
16	33005604	1	NUT SELF L. M6 UNI7474	5711140066
17	L08600022	1	WHEEL C38	
18	L08194600	1	PAD C38	
19	L08600023	1	SCREW C38	
20	L08600039	1	RAIL WITH YOKE C38	
21	L08600384	1	RAIL FOR NOZZLE C38	
22	L08600449	2	SPRING	
23	L08344200	2	SCREW	
24	L08600464	2	BRUSH	
25	L08600385	2	WHEEL D55X77	
26	L08600040	2	WEIGHT FOR FLOOR NOZZ.C38	
27	33005691	1	NUT HEX M5 UNI5588	5711140066
28	L08600101	1	SPACER C38	
29	L08600099	1	SCREW C38	
30	L08241500	1	WASHER M5 UNI6592 SS	5711140012
31	L08600216	1	SCREW C38	
32	L08600039	1	RAIL WITH YOKE C38	
33	L08194600	1	PAD C38	
34	33005604	1	NUT SELF L. M6 UNI7474	5711140066
35	L08600023	1	SCREW C38	
36	L08600022	1	WHEEL C38	
37	L08600025	4	SCREW C38	
38	L08600017	1	RAIL C38	
39	L08600326	10	BOLT C38	
40	33005604	4	NUT SELF L. M6 UNI7474	5711140066
41	L08600038	1	RAIL C38	
42	L08600449	2	SPRING	

SPARE PARTS ACCESSORIES

C 38

06-06-2011

Part List ID
EX66113

28

Pos	Part no.	Qty	Description	EAN
43	L08344200	2	SCREW	
44	L08600464	2	BRUSH	
45	L08600385	2	WHEEL D55X77	
46	L08600212	1	BRACKET FOR NOZZLE C38	
47	L08600040	2	WEIGHT FOR FLOOR NOZZ.C38	
48	L08600384	1	RAIL FOR NOZZLE C38	

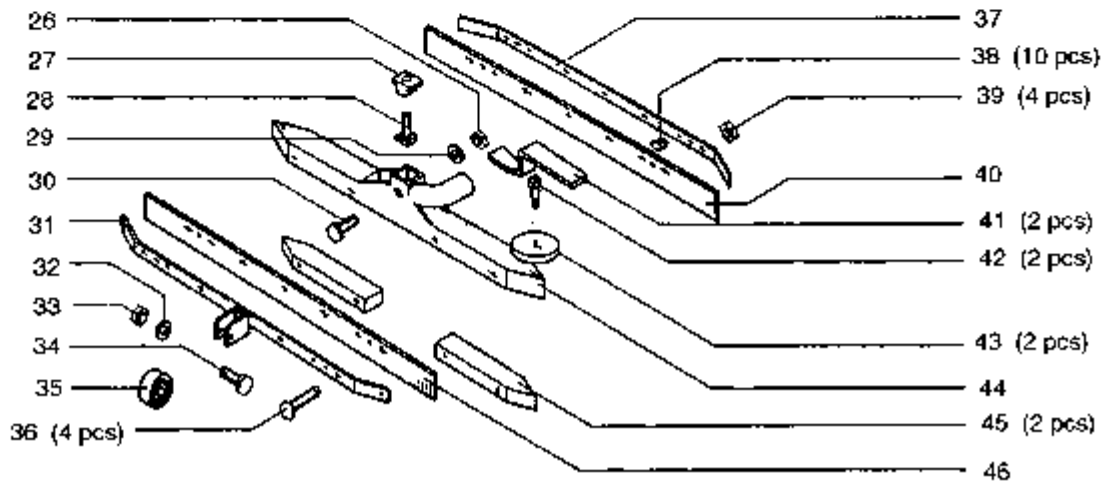
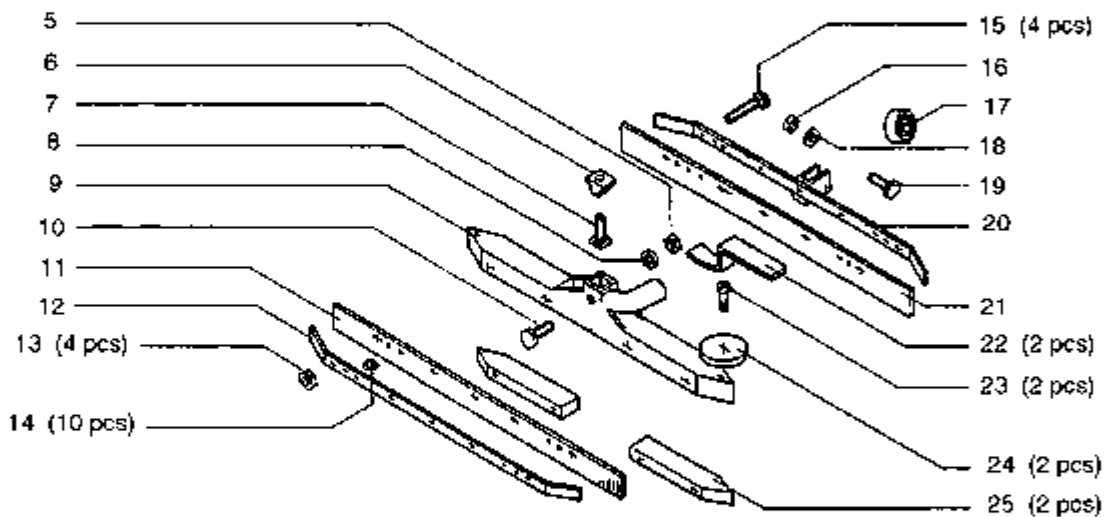
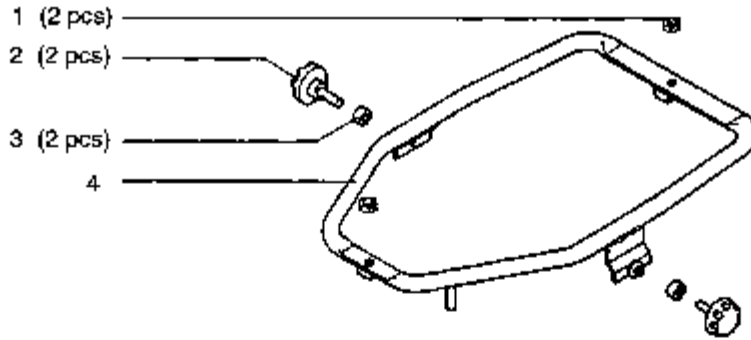
SPARE PARTS ACCESSORIES

06-06-2011

Part List ID
EX66114

C 38

29



SPARE PARTS ACCESSORIES

C 38

06-06-2011

Part List ID

EX66114

30

Pos	Part no.	Qty	Description	EAN
1	33005607	2	NUT SELF L. M8 UNI7474	5711140066
2	L08600028	2	CONTROL BUTTON C38	
3	L08600323	2	SLEEVE	
4	L08601184	1	NOZZLE HOLDER, COATED	
5	33005691	1	NUT HEX M5 UNI5588	5711140066
6	L08600101	1	SPACER C38	
7	L08600099	1	SCREW C38	
8	L08241500	1	WASHER M5 UNI6592 SS	5711140012
9	L08600212	1	BRACKET FOR NOZZLE C38	
10	L08600216	1	SCREW C38	
11	L08600038	1	RAIL C38	
12	L08600017	1	RAIL C38	
13	33005604	4	NUT SELF L. M6 UNI7474	5711140066
14	L08600326	10	BOLT C38	
15	L08600025	4	SCREW C38	
16	33005604	1	NUT SELF L. M6 UNI7474	5711140066
17	L08600022	1	WHEEL C38	
18	L08194600	1	PAD C38	
19	L08600023	1	SCREW C38	
20	L08600039	1	RAIL WITH YOKE C38	
21	L08600038	1	RAIL C38	
22	L08600449	2	SPRING	
23	L08344200	2	SCREW	
24	L08600385	2	WHEEL D55X77	
25	L08600040	2	WEIGHT FOR FLOOR NOZZ. C38	
26	33005691	1	NUT HEX M5 UNI5588	5711140066
27	L08600101	1	SPACER C38	
28	L08600099	1	SCREW C38	
29	L08241500	1	WASHER M5 UNI6592 SS	5711140012
30	L08600216	1	SCREW C38	
31	L08600039	1	RAIL WITH YOKE C38	
32	L08194600	1	PAD C38	
33	33005604	1	NUT SELF L. M6 UNI7474	5711140066
34	L08600023	1	SCREW C38	
35	L08600022	1	WHEEL C38	
36	L08600025	4	SCREW C38	
37	L08600017	1	RAIL C38	
38	L08600326	10	BOLT C38	
39	33005604	4	NUT SELF L. M6 UNI7474	5711140066
40	L08600038	1	RAIL C38	
41	L08600449	2	SPRING	

SPARE PARTS ACCESSORIES

C 38

06-06-2011

Part List ID

EX66114

31

Pos	Part no.	Qty	Description	EAN
42	L08344200	2	SCREW	
43	L08600385	2	WHEEL D55X77	
44	L08600212	1	BRACKET FOR NOZZLE C38	
45	L08600040	2	WEIGHT FOR FLOOR NOZZ.C38	
46	L08600038	1	RAIL C38	

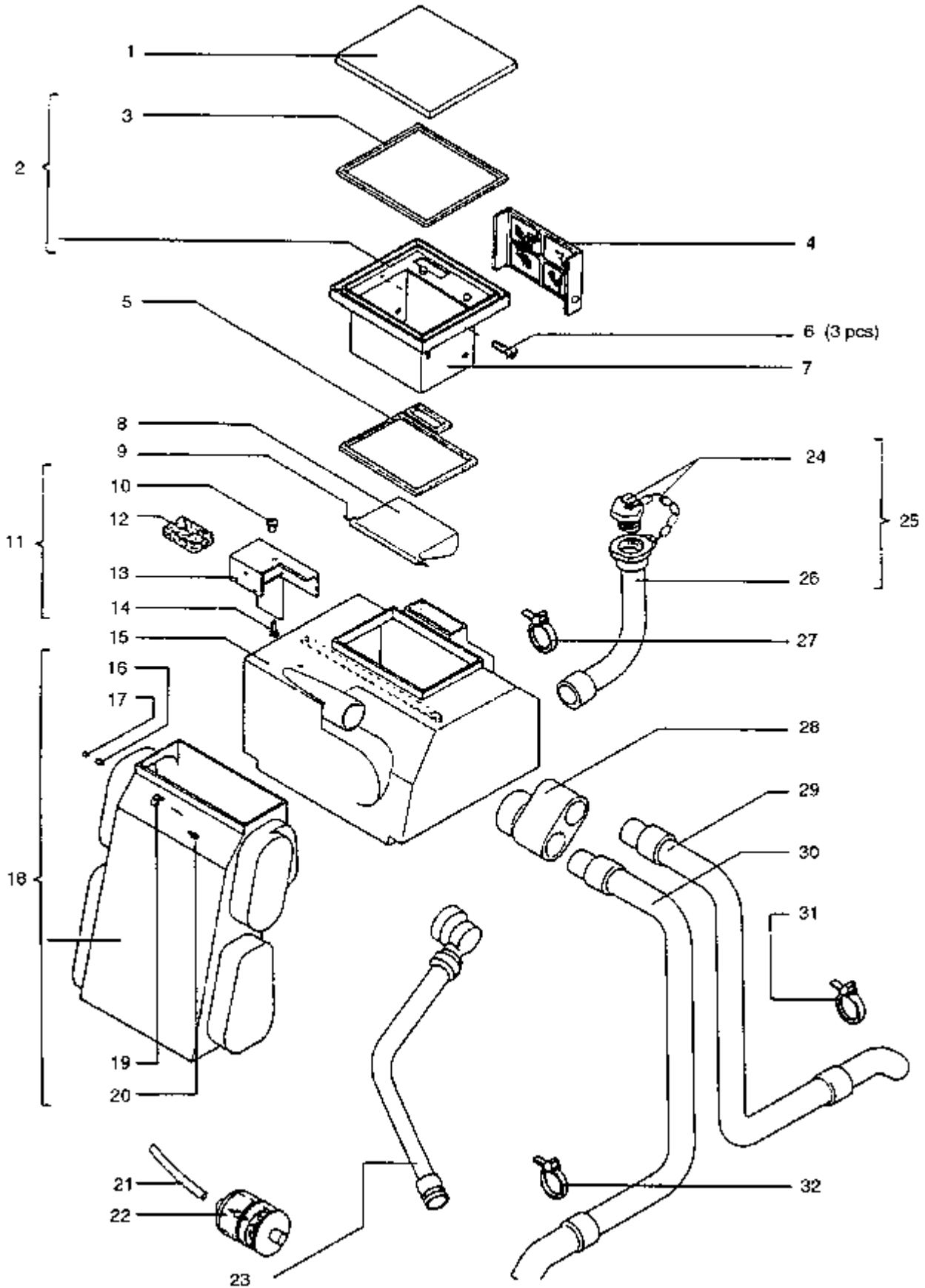
SPARE PARTS ACCESSORIES

C 38

06-06-2011

Part List ID
EX66115

32



SPARE PARTS ACCESSORIES

C 38

06-06-2011

Part List ID
EX66115

33

Pos	Part no.	Qty	Description	EAN
1	L08600105	1	COVER C38	
2	L08600274	1	FILTER CABINET C38	
3	L08600189	1	SEAL C38	
4	L08600152	1	FOAM C38	
5	L08600248	1	SEAL C38	
6	L08196200	3	SCREW C38	
7	L08600109	1	FILTER CABINET C38	
8	L08600108	1	FLOAT C38	
9	L08600182	1	HINGE PIN C38	
10	L08341800	1	NUT C38	
11	L08600271	1	HOLDER CPL.	
12	L08600272	1	FILTER FOR DIRTY WATER TANK	
13	L08600106	1	FILTER HOUSING C38	
15	L08600007	1	DIRTY WATER TANK	
16	L08040300	1	WASHER C38	
18	L08600009	1	SOLUTION TANK C38	
19	L08600329	1	CLAMP STRAP C38	
20	L08357300	1	NUT 5X16 C38	
21	L08600441	1	HOSE FOR C38	
22	9097166000	1	FILTER COMPLETE KIT	5711140132
23	L08600232	1	HOSE C38	
24	L08600270	1	CORD	
25	L08601219	1	HOSE C38	
26	L08601219	1	HOSE C38	
27	L08600269	1	CLAMP 9/25-40	5711140012
28	L08600107	1	BRANCH C38	
29	L08600113	1	HOSE C 38	
30	L08600113	1	HOSE C 38	
31	L08600269	1	CLAMP 9/25-40	5711140012
32	L08600269	1	CLAMP 9/25-40	5711140012

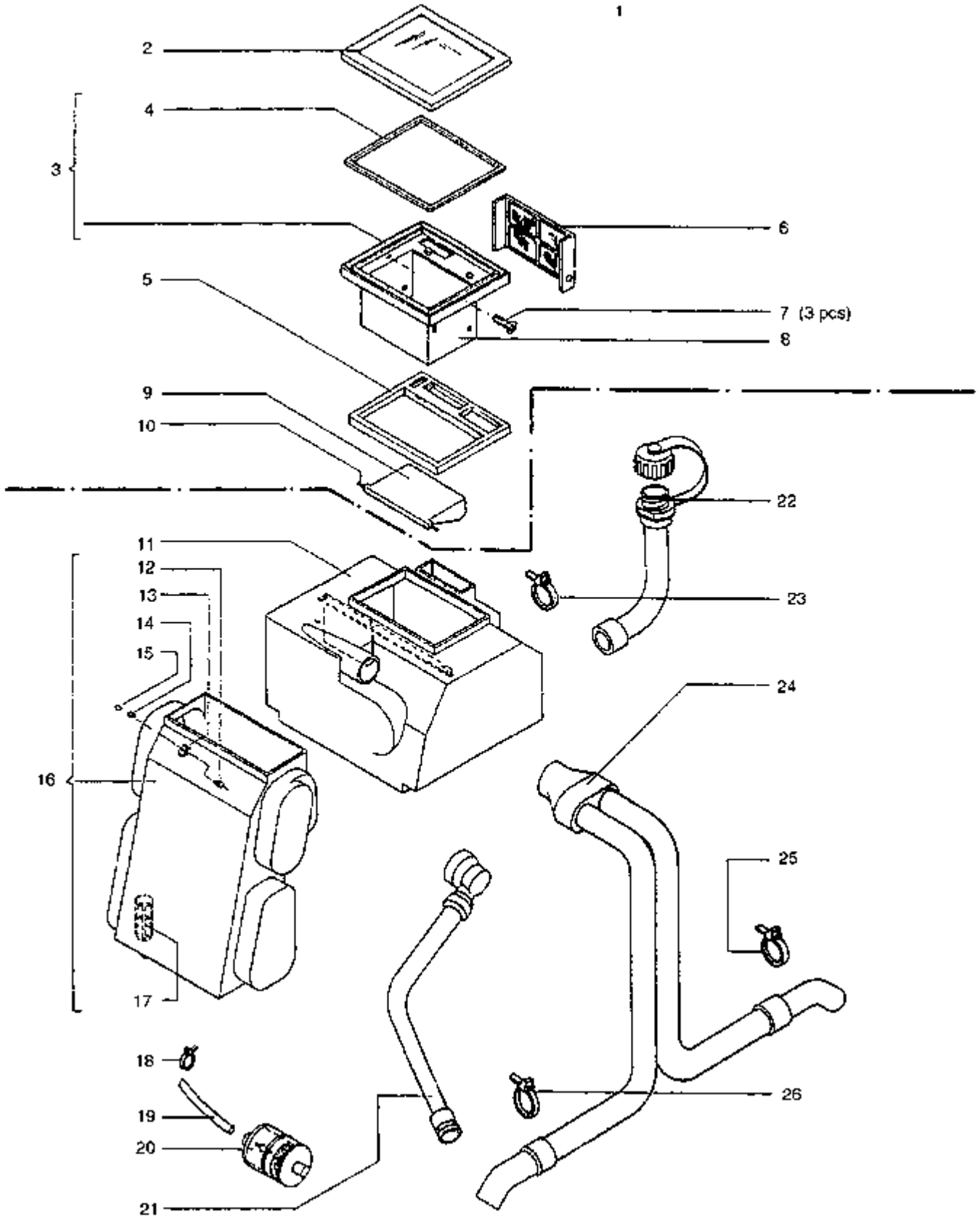
SPARE PARTS ACCESSORIES

06-06-2011

Part List ID
EX66116

C 38

34



SPARE PARTS ACCESSORIES

C 38

06-06-2011

Part List ID
EX66116

35

Pos	Part no.	Qty	Description	EAN
1	L08600273	1	FLOAT FILTER HOUSING COMPLETE	
2	L08600105	1	COVER C38	
3	L08600274	1	FILTER CABINET C38	
4	L08600189	1	SEAL C38	
5	L08600248	1	SEAL C38	
6	L08600152	1	FOAM C38	
7	L08196200	3	SCREW C38	
8	L08600109	1	FILTER CABINET C38	
9	L08600108	1	FLOAT C38	
10	L08601217	1	FLOAT AXES	
11	L08600007	1	DIRTY WATER TANK	
12	L08357300	1	NUT 5X16 C38	
13	L08600329	1	CLAMP STRAP C38	
14	L08040300	1	WASHER C38	
15	L08081100	1	NUT C38	
16	L08600009	1	SOLUTION TANK C38	
17	L08217900	1	FILTER FOR CLEAN WATER	
18	L08600208	1	CLAMP	
19	L08601102	1	HOSE SECTION D9X2X600	
20	9097166000	1	FILTER COMPLETE KIT	5711140132
21	L08600232	1	HOSE C38	
22	L08601219	1	HOSE C38	
23	L08600269	1	CLAMP 9/25-40	5711140012
24	L08601134	1	HOSE DOUBLE C38	
25	L08600269	1	CLAMP 9/25-40	5711140012
26	L08600269	1	CLAMP 9/25-40	5711140012

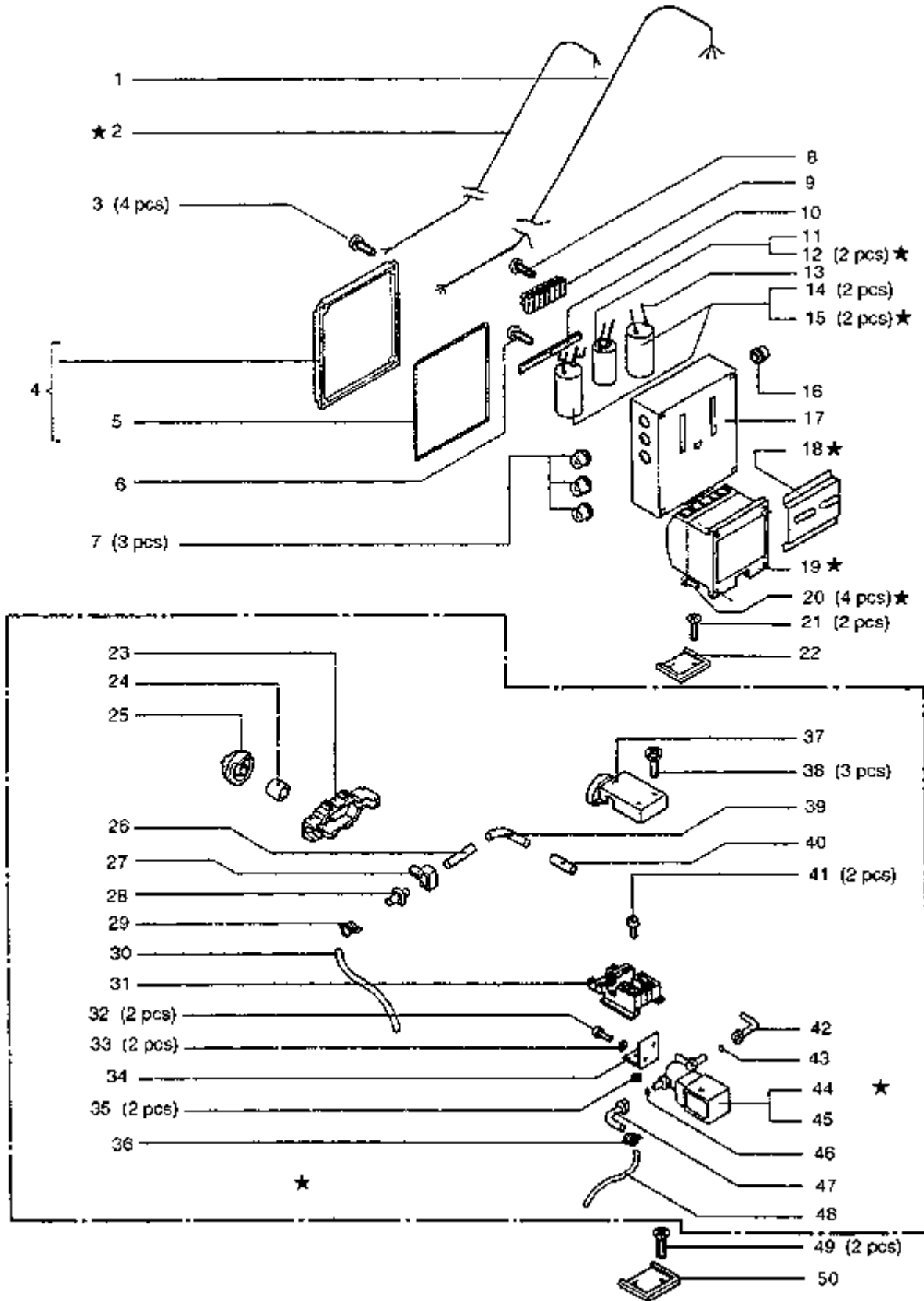
SPARE PARTS ACCESSORIES

06-06-2011

Part List ID
EX66117

C 38

36



SPARE PARTS ACCESSORIES

C 38

06-06-2011

Part List ID
EX66117

37

Pos	Part no.	Qty	Description	EAN
1	L08601093	1	CABLE 1,8M 4X1,5MM	
2	L08600484	1	CABLE 2X1,5X1850	
3	L08600285	4	SCREW C38	
5	L08600280	1	SEAL	
6	L08158400	1	SCREW C38	
7	L08600283	3	SLEEVE C38	
8	L08095900	1	CHEESE-HEAD SCREW	
9	L08337700	1	SPLICING SLEEVE C 38	
11	L08600288	1	CONDENSER	
14	L08099101	2	CAPACITOR 20MF 230V	
15	L08301200	2	CONDENSER 550MF	
16	L08600283	1	SLEEVE C38	
17	L08600102	1	BOX FOR CONDENSER C38	
20	L08600285	4	SCREW C38	
21	L08600258	2	SCREW C38	
23	L08600390	1	HOSE GUIDE FOR WATER REGUL	
24	L08600324	1	SEAL	
25	L08600087	1	RESET KNOB	
26	L08600263	1	HOSE	
27	L08600088	1	SCREW	
28	L08600093	1	TUBE	
29	L08602405	1	SPRING STRAP	
30	L08600266	1	HOSE	
31	L08600387	1	VALVE	
32	L08287600	2	SCREW M 4,8 X 13 VZ	
33	L08241500	2	WASHER M5 UN6592 SS	5711140012
34	L08600388	1	SHACKLE	
35	L08053500	2	NUT HEX M4 UN15588	5711145022
36	L08602405	1	SPRING STRAP	
37	L08600386	1	COVER	
38	L08600166	3	SCREW C38	
39	L08600391	1	TUBE TURN CPL.	
40	L08600439	1	HOSE	
41	L08105400	2	NUT M 4X8	
42	L08600414	1	SHACKLE	
43	L08600392	1	O-RING 10X3	
44	L08600471	1	VALVE 110-125 V	
45	L08600472	1	MAGNETIC VALVE FOR 220-250V	
46	L08600392	1	O-RING 10X3	
47	L08600414	1	SHACKLE	
48	L08601103	1	HOSE SECTION D9X2X480	

SPARE PARTS ACCESSORIES

C 38

06-06-2011

Part List ID
EX66117

38

Pos	Part no.	Qty	Description	EAN
49	L08600258	2	SCREW C38	

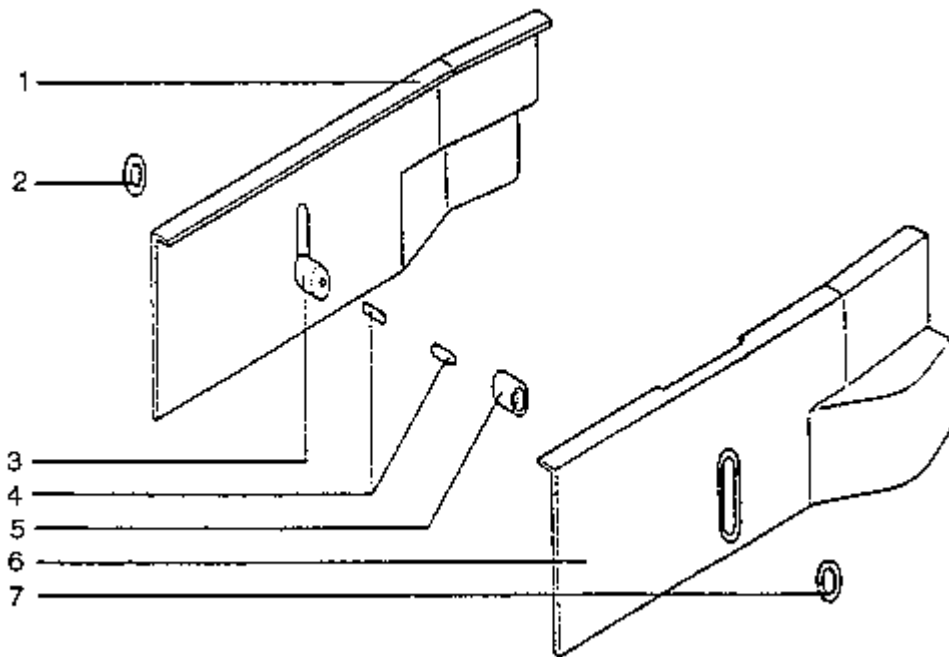
SPARE PARTS ACCESSORIES

C 38

06-06-2011

Part List ID
EX66119

39



SPARE PARTS ACCESSORIES

C 38

06-06-2011

Part List ID
EX66119

40

Pos	Part no.	Qty	Description	EAN
2	L08600481	1	PAD	
3	L08600016	1	WASHER	
4	L08600480	1	BUSH	
5	L08600016	1	WASHER	
7	L08600481	1	PAD	

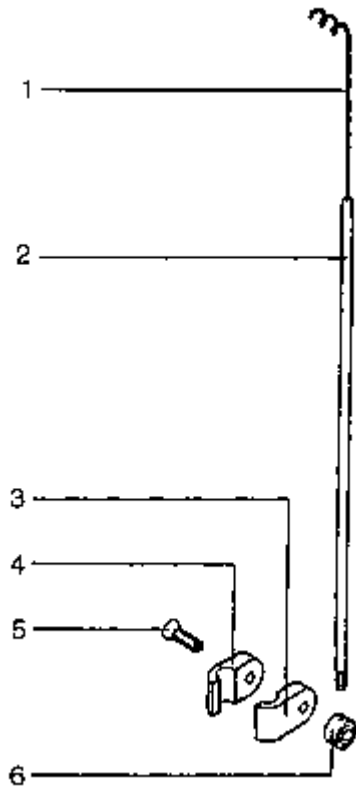
SPARE PARTS ACCESSORIES

C 38

06-06-2011

Part List ID
EX66120

41



SPARE PARTS ACCESSORIES

C 38

06-06-2011

Part List ID
EX66120

42

Pos	Part no.	Qty	Description	EAN
5	L08152100	1	SCREW M8X40 FOR BAYONET RING	

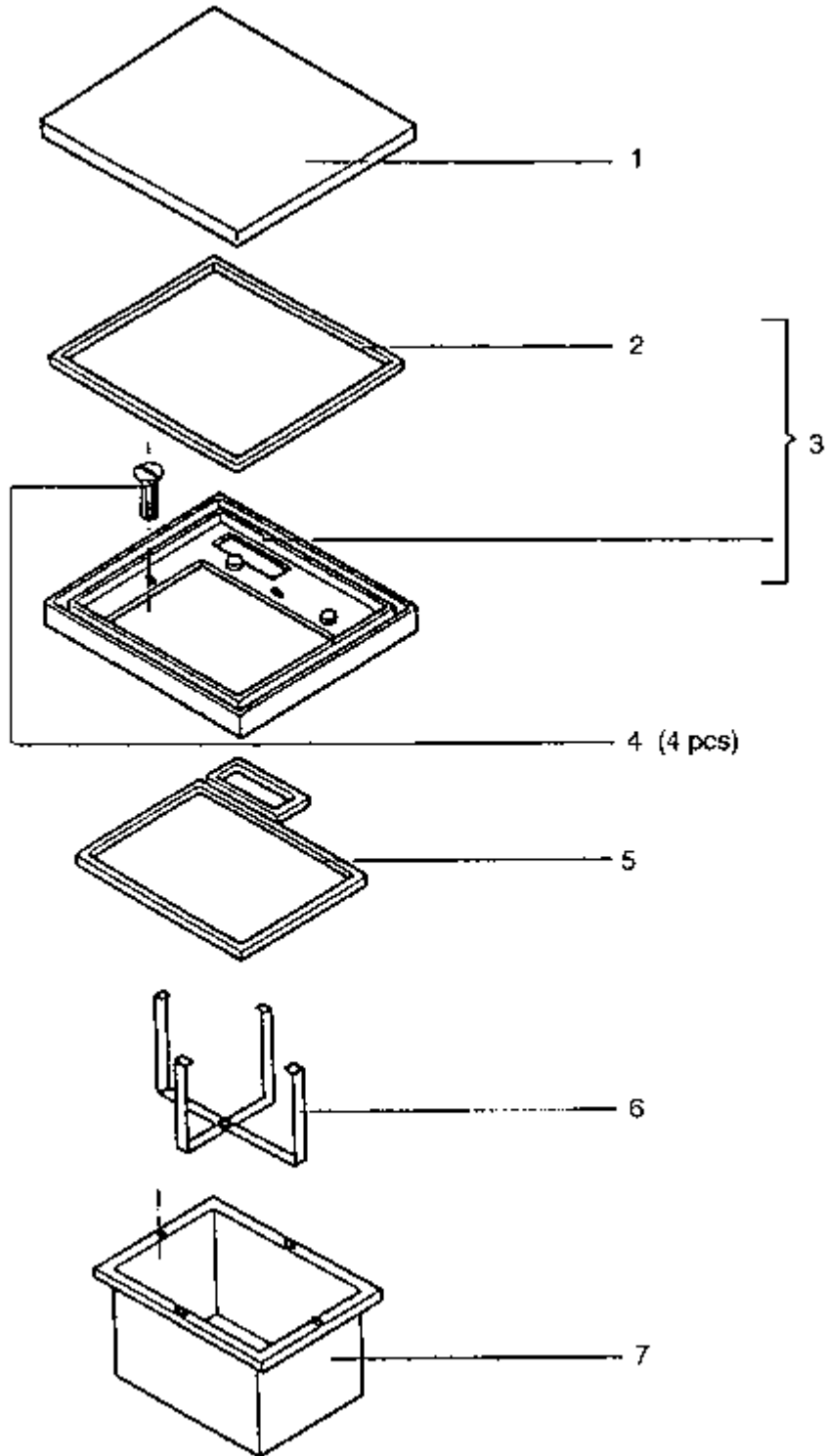
SPARE PARTS ACCESSORIES

C 38

06-06-2011

Part List ID
EX66121

43



SPARE PARTS ACCESSORIES

C 38

06-06-2011

Part List ID
EX66121

44

Pos	Part no.	Qty	Description	EAN
1	L08600105	1	COVER C38	
2	L08600189	1	SEAL C38	
3	L08600382	1	FRAME WITH WASHER	
5	L08600248	1	SEAL C38	














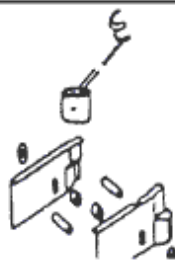
Brushes, pads etc.

C 38

06-06-2011

Part List ID
EX66134

45

RANGE OF APPLICATION	BRUSHES, PADS, ETC.					
WET STRIPPING	PAD, BROWN		ø mm	380		
	BRUSH SICA COARSE	with aluminium brush top		ø mm	380	
		with integrated polygon brush top		ø mm	380	
SCRUBBING	PAD, BLUE		ø mm	380		
	PAD, RED		ø mm	380		
	BRUSH SICA FINE	with aluminium brush top		ø mm	380	
		with integrated polygon brush top		ø mm	380	
	BRUSH SICA COARSE	with aluminium brush top		ø mm	380	
		with integrated polygon brush top		ø mm	380	
	BRUSH PPN FINE	with aluminium brush top		ø mm	380	
		with integrated polygon brush top		ø mm	380	
	BRUSH PPN FINE	with aluminium brush top		ø mm	380	
		with integrated polygon brush top		ø mm	380	
	CABLE DEFLECTOR BAR	No.	08409500	Plan	104E	
		No.	08409600	Plan	104D	
	SPLASH GUARD		No.	08409600	Plan	104D

Brushes, pads etc.

C 38

06-06-2011

Part List ID
EX66134

46

Pos	Part no.	Qty	Description	EAN
1	L08532400	1	PAD 15 380MM BROWN 5PCS	
2	L08837023	1	BRUSH MIDLITE GRIT	
3	L08420700	1	SCRUBBING BRUSH SICA COARSE	
4	L08532300	1	PAD 15 380MM BLUE 5PCS	
5	L08532200	1	PAD 15 380MM RED 5PCS	5313437527
6	L08420200	1	SCRUBBING BRUSH SICA SOFT	
7	L08420800	1	SCRUBBING BRUSH SICA FINE	
8	L08420300	1	SCRUBBING BRUSH PPN COARSE	
9	L08420900	1	SCRUBBING BRUSH PPN COARSE	
10	L08420300	1	SCRUBBING BRUSH PPN COARSE	
11	L08421000	1	PPN BRUSH SOFT	
12	L08420500	1	PAD HOLDER FOR C38	
13	L08421100	1	PAD HOLDER	
14	L08409500	1	HOLDER BRACKET FOR CABLE C38	
15	L08409600	1	SPLASH GUARD FOR C38/SET 2 PCS	