

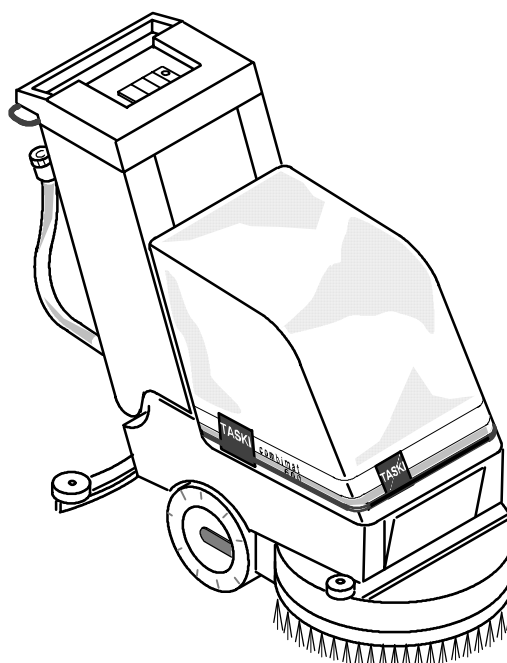
# TASKI

## Ersatzteilliste Liste des pièces de rechange Spare parts list

12085-12

### TASKI combimat 600

TASKI combimat 600			Serie
8001730	CO 600	24V	06
8001740 EURO	CO 600 BMS	230V/50Hz	06
8002090	CO 600	240V/50Hz	06



**JohnsonDiversey**

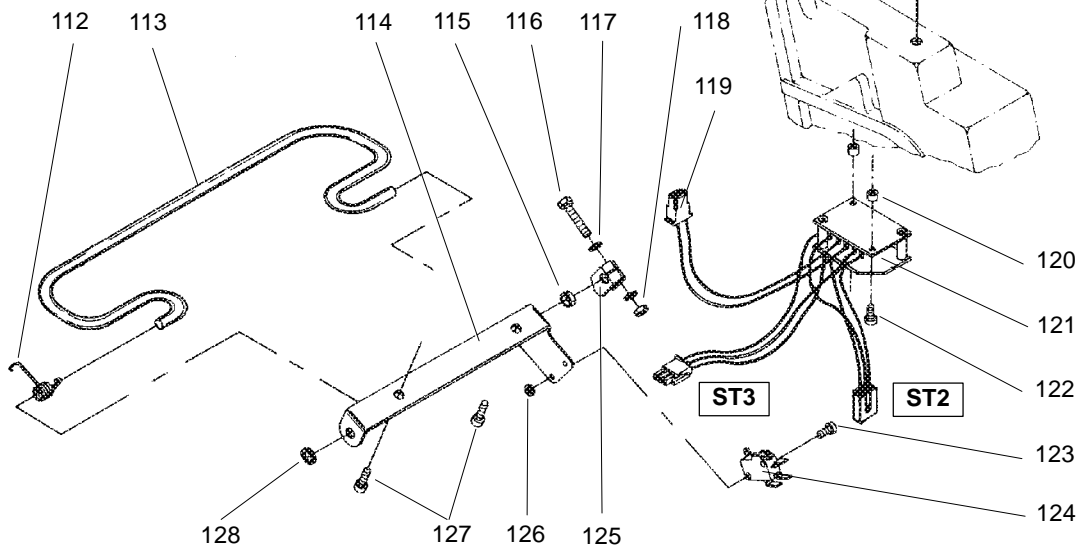
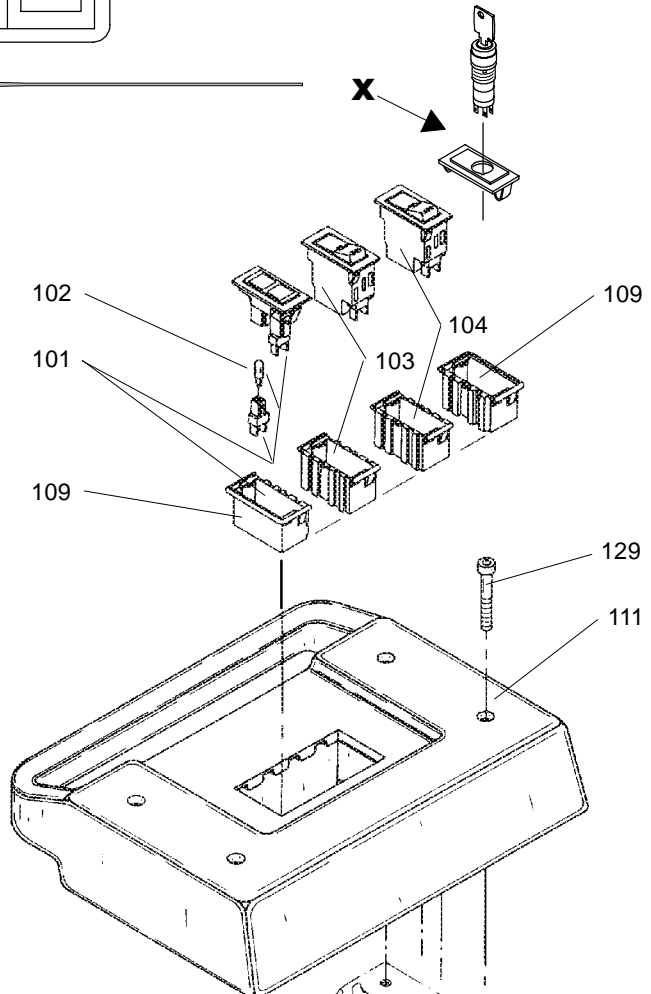
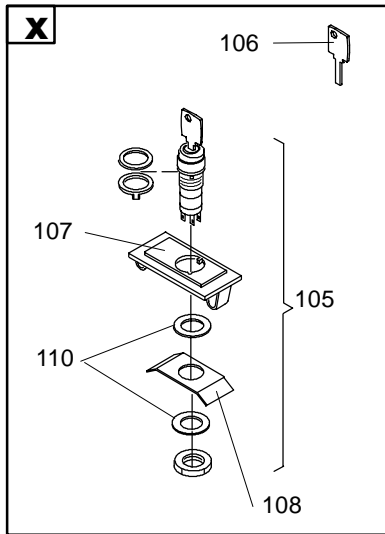
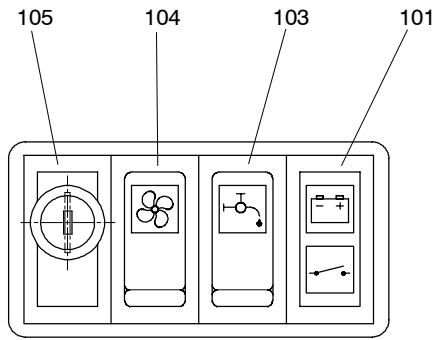
JohnsonDiversey  
Postfach CH-9542 Münchwilen

Telefon +41 71 969 27 27 Fax +41 71 969 22 53

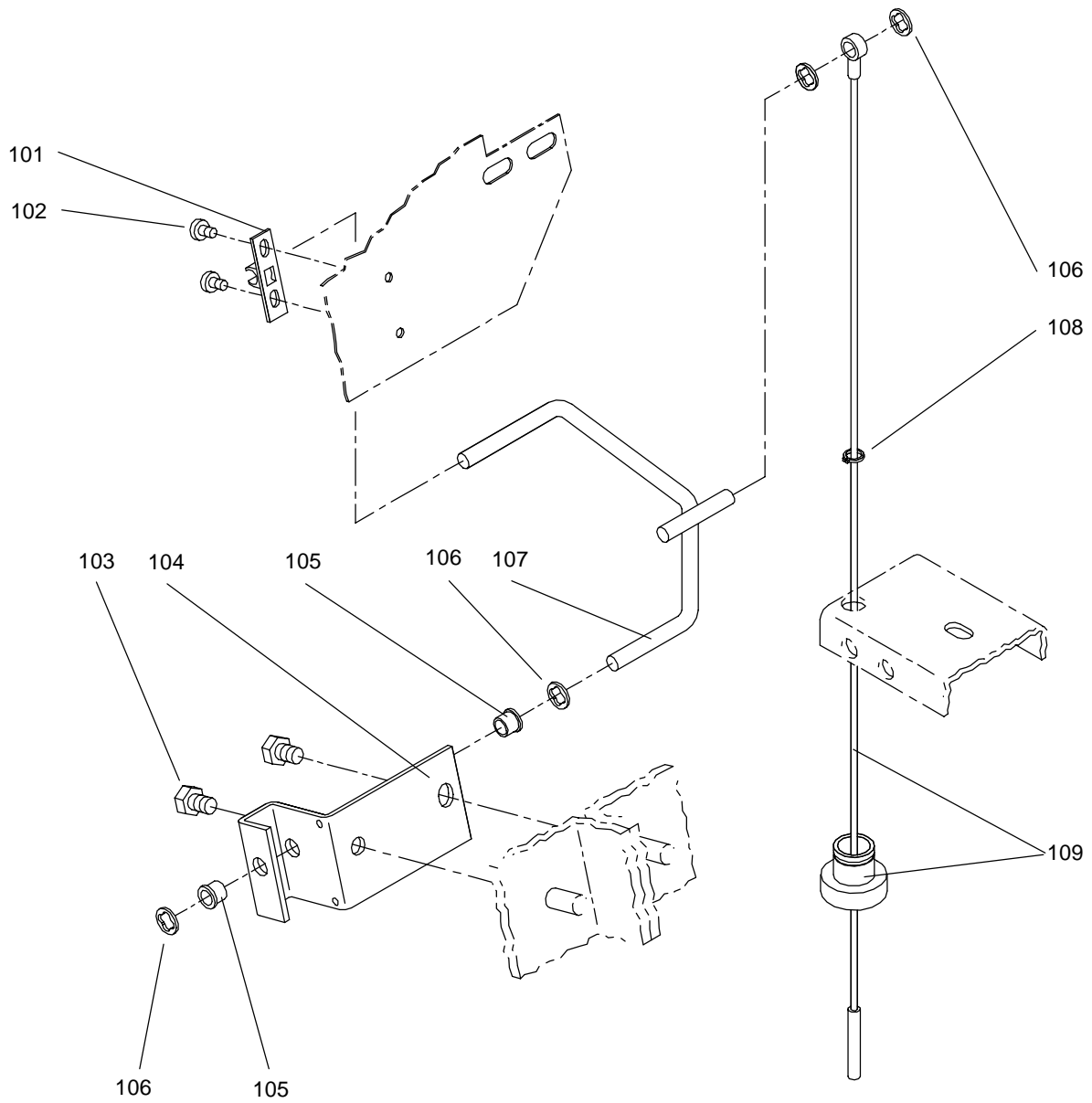
Ausführung/Execution; List(e) 4  
08.12.2003 SPS

S004522					TASKI combimat 600	TASKI combimat 600	TASKI combimat 600
Pos. No.	Artikelnr. Article No. Item No.	Bestellnr. No. de com Order No.	Model	Stck. Piè. Qty.	Bezeichnung	Designation	Description
1	S004437			1.00	Bedienungspult	Tableau de commande	Control board
2	S004441			1.00	Düsenabsenkung	Dispositif remontée suceur	Squeegee mechanism
3	S004445			1.00	Düse	Suceur	Squeegee
4	S004449			1.00	Maschinenunterteil	Bâti-Bac batteries	Machine undercarriage
5	S004454			1.00	Tank	Réservoir	Tank
6	S004458			1.00	Saugaggregat	Agrégat d'aspiration	Vacuum unit
7	S004462			1.00	Bürstenantrieb	Entrainement de brosse	Brush drive
8	S004466			1.00	Haube / Motor	Couvercle de la machine / Moteur	Hood / Motot
9	S004474			1.00	Filter, Magnetventil	Filtre, Soupape magnetique	Filter, Magnetic valve
10	S004478			1.00	Elektroteile (Mod.standard)	Pièces électrique (Mod.standard)	Electrical parts (Mod.standard)
11	S004482			1.00	Elektroteile (Mod.BMS)	Pièces électrique (Mod.BMS)	Electrical parts (Mod.BMS)
12	S004486			1.00	Wasserführung	Ecoulement de l'eau	Water outlet
13	S004490			1.00	Diverse Ersatzteile	Pièces détachées diverses	Varios spare parts
14	S004494			1.00	Kabelbaum	Toron de câble	Cable strang
15	S004498			1.00	Elektroschema	Schéma électrique	Electrical diagram

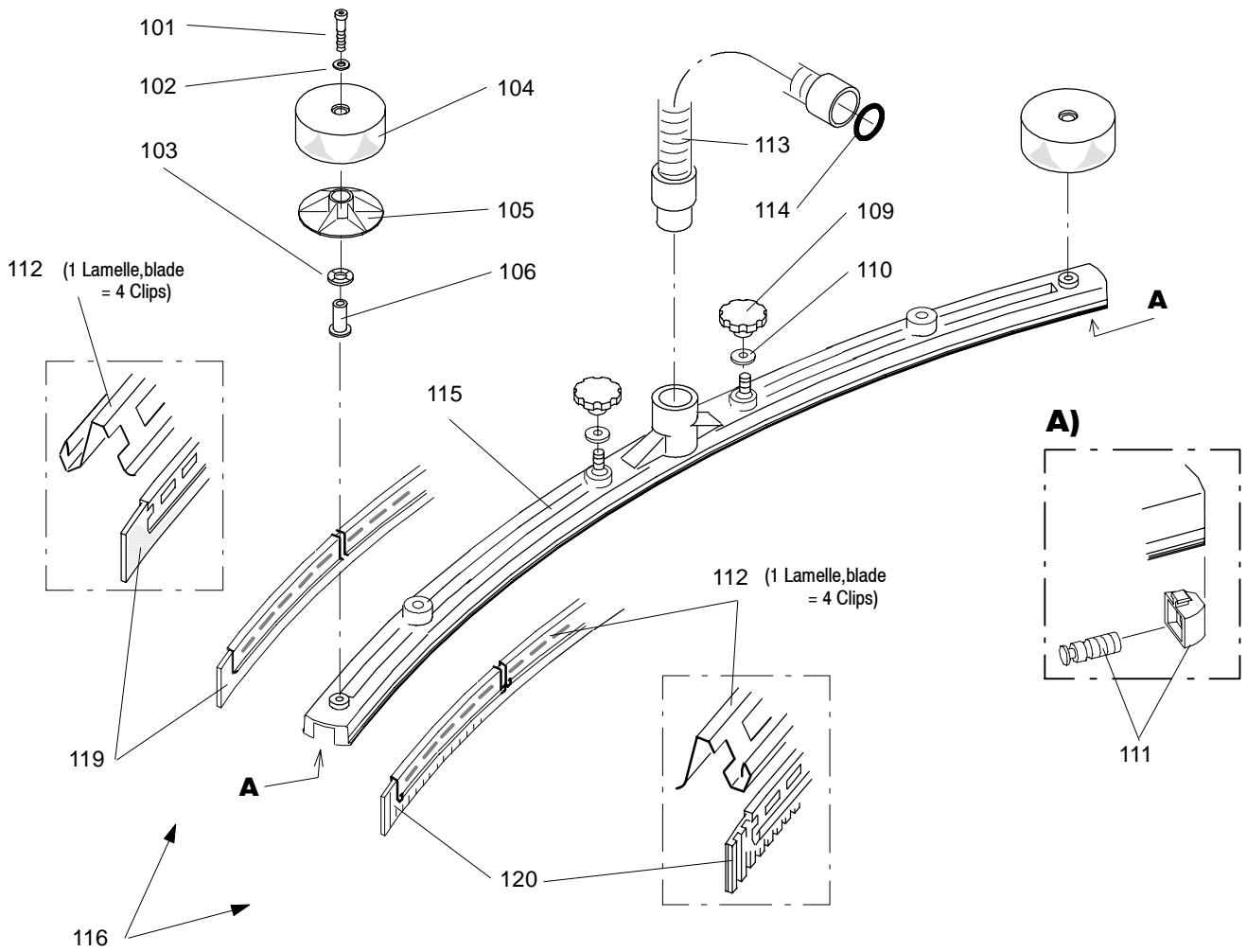
S004437					Bedienungspult	Tableau de commande	Control board
Pos. No.	Artikelnr. Article No. Item No.	Bestellnr. No. de com Order No.	Model	Stck. Piè. Qty.	Bezeichnung	Designation	Description
101	17563-50	4122871		1.00	BATTERIE LADEANZEIGE	INDICATEUR DE CHARGE DE BATT.	BATTERY INDICATOR
102	4106/208	4122866		4.00	LED 24 V	LED 24 V	LED 24 V
103	17563-49	4122869		1.00	WIPPSCHALTER VENTIL	INTERRUPTEUR SOUPAPE	ROCKING SWITCH MAGNETIC VALVE
104	17563-48	4122868		1.00	WIPPSCHALTER TURBINE	INTERRUPTEUR TURBINE	ROCKING SWITCH VACUUM MOTOR
105	17584-12	4089450		1.00	SCHLUESSELSCHALTER (SET)	INTERRUPTEUR A CLE AMOV.(KIT)	KEY SWITCH (SET)
106	4601/130	4116310		1.00	SCHLUESSEL	CLE	KEY
107	17563-25	4091550		1.00	LOCHBLENDE	PORTE-PLAQUETTE	CLAMPING PLATE
108	17562-91	4083360		1.00	STUETZBUEGEL	FIXATION	BRACKET
109	4531/162	4084350		2.00	ENDSTUECK	CADRE EXTERIEUR	END FRAME
110	1795/186	4067110		2.00	DICHTRING 16/20	JOINT 16/20	GASKET 16/20
111	17560-12	4077780		1.00	GEHAEUSE	BATI	HOUSING
112	17560-31	4077800		1.00	DREHFEDER	RESSORT DE TORSION	TORSION SPRING
113	17560-30	4077790		1.00	BUEGEL	ETRIER	CONNECTING ROD
114	17560-07	4077760		1.00	LAGERBUEGEL	ETRIER	BRACKET
115	17501-17	4016390		1.00	BUCHSE	DOUILLE	BUSH
116	1004/151	4067470		1.00	SECHSKANTSCHRAUBE M 5X25	VIS A TETE SIX PANS M 5X25	HEXAGON SCREW M 5X25
117	1752/12	4007460		2.00	UNTERLAGSCHEIBE 5,3/10	RONDELLE 5,3/10	WASHER 5,3/10
118	1654/5	4007180		1.00	SECHSKANTMUTTER M 5	ECROU A SIX PANS M 5	HEXAGON NUT M 5
119	4531/161	4084790		1.00	STECKHUELSENGEHAEUSE	BATI POUR COSSE	CLIP HOUSING
120	17101-44	4049950		2.00	DISTANZSCHEIBE	DOUILLE DE DISTANCE	DISTANCE BUSH
121	17563-36	4091980		1.00	ABSCHALTPRINT	CIRCUIT IMPRIM./MIN.D.TENSION	SWITCH-OFF PRINT
122	1840/008	4070960		2.00	PT-SCHRAUBE KA 30X10	VIS POUR PLASTIQUE KA 30X10	SCREW FOR PLASTIC KA 30X10
123	1207/148	4067140		2.00	LI.ZYL.SCHRAUBE MIT KS M 3X16	VIS A TETE CYL. BOMB. M 3X16	RAISED CHEESE HD.SCREW M 3X16
124	4501/112	4021130		1.00	MICROSCHALTER	MICRORUPTEUR	MICROSWITCH
125	17560-08	4077770		1.00	SCHALTNOCKEN	CAME DE CONTACTEUR	TRIP CAM
126	1654/2	4007150		2.00	SECHSKANTMUTTER M 3	ECROU A SIX PANS M 3	HEXAGON NUT M 3
127	1840/012	4082610		2.00	PT-SCHRAUBE KA 50X16	VIS POUR PLASTIQUE KA 50X16	SCREW FOR PLASTIC KA 50X16
128	2905/017	4003720		1.00	SPANNRING 8	CERCLE ELASTIQUE 8	ELASTIC RING 8
129	1137/38	4049610		4.00	ZYL.SCHRAUBE I.6-KT. M 8X55	VIS CYL. A TROU 6 P. M 8X55	SOCKET HEAD CAP SCREW M 8X55



S004441					Düsenabsenkung	Dispositif remontée suceur	Squeegee mechanism
Pos. No.	Artikelnr. Article No. Item No.	Bestellnr. No. de com Order No.	Model	Stck. Piè. Qty.	Bezeichnung	Designation	Description
101	17564-08	4090000		1.00	KLAMMER	FIXATION	FIXATION
102	1852/84	4083750		2.00	GEW-FORMENDE SCHRAUBE M 5X8	VIS AUTOFILETAGE M 5X8	SELF-THREAD-FORM.SCREW M 5X8
103	1004/205	4056320		2.00	SECHSKANTSCHRAUBE M 8X12	VIS A TETE SIX PANS M 8X12	HEXAGON SCREW M 8X12
104	17560-22	4077840		1.00	LAGERBUEGEL	SUPPORT	BRACKET
105	2511/4	4022190		2.00	GLEITLAGER 8	COUSSINET 8	SLIDE BEARING 8
106	2905/017	4003720		4.00	SPANNRING 8	CERCLE ELASTIQUE 8	ELASTIC RING 8
107	17564-07	4091330		1.00	HEBEL	LEVIER	LEVER
108	2910/9	4024890		1.00	SICHERUNGSRING 10 A	RONDELLE "SEEGER" 10 A	RETAINING RING 10 A
109	17563-09	4091320		1.00	SEIL KONFEKTIONIERT	CABLE METALLIQUE COMPL.	METAL ROPE COMPL.

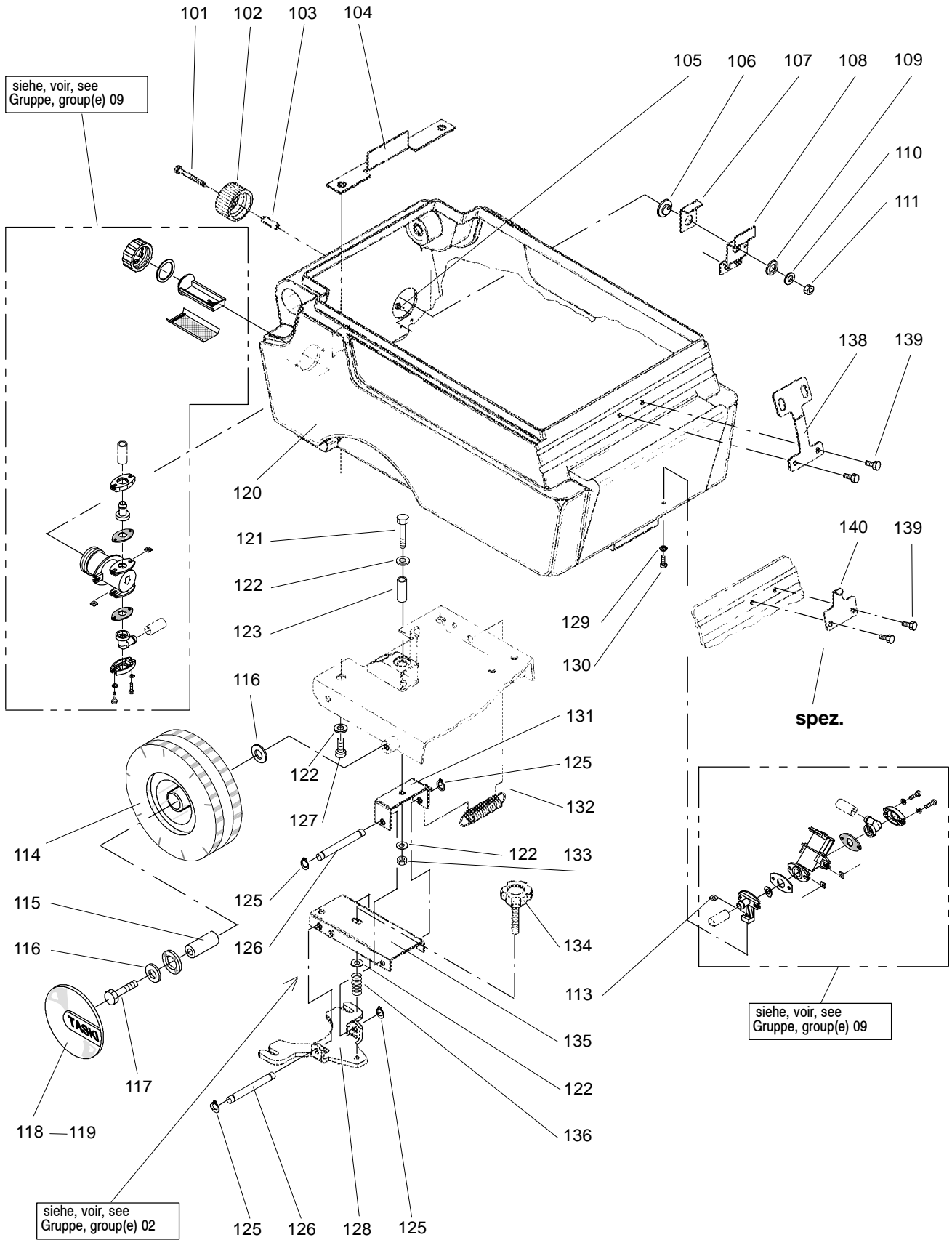


S004445					Düse	Suceur	Squeegee
Pos. No.	Artikelnr. Article No. Item No.	Bestellnr. No. de com Order No.	Model	Stck. Piè. Qty.	Bezeichnung	Designation	Description
101	1129/187	4043000		2.00	ZYL.SCHRAUBE I.6-KT. M 8X45	VIS CYL. A TROU 6 P. M 8X45	SOCKET HEAD CAP SCREW M 8X45
102	1747/15	4007400		2.00	UNTERLAGSCHEIBE 8,4/16	RONDELLE 8,4/16	WASHER 8,4/16
103	1790/15	4007890		2.00	WELLENSCHEIBE 14/21,8	ENTRETOISE 14/21,8	WAVED WASHER 14/21,8
104	17606-69	4122783		2.00	RAD	ROUE	WHEEL
105	17606-74	4122839		2.00	STUETZSCHEIBE	RONDELLE D'APPUI	SUSTAINING DISC
106	18508-95	4121923		2.00	BUCHSE	DOUILLE	BUSH
109	2433/101	4088430		2.00	STERNGRIF M 6	BOUTON ETOILE M 6	STAR KNOB M 6
110	80102-9	4005560		2.00	UNTERLAGSCHEIBE	RONDELLE	WASHER
111	19512-34	4093600		2.00	KLEMMTEIL KOMPL.	COIN DE SERRAGE COMPL.	CLAMPING KEY COMPL.
112	17585-54	4105240			CLIPS SET (10 CLIPS)	KIT CLIPS (10 CLIPS)	CLIPS SET (10 CLIPS)
113	17561-07	4077870		1.00	SAUGSCHLAUCH 32	TUYAU FLEXIBLE 32	HOSE 32
114	3002/471	4073710		1.00	O-RING 32,93 X 3,53	JOINT-O 32,93 X 3,53	O-RING 32,93 X 3,53
115	17563-39	4117080		1.00	DUESENKOERPER 660	SUCEUR 660	SQUEEGEE 660
116	17563-44	4116290		1.00	DUESE 660 KOMPL.	SUCEUR 660 COMPL.	SQUEEGEE 660 COMPL.
119	12200-10	4114590		1.00	LAMELLE	LAMELLE	BLADE
120	12200-09	4114580		1.00	LAMELLE	LAMELLE	BLADE
	0				0		
	0				0		
	0				0		
	12200-13	4111540			LAMELLE CO 500,600 GRUEN	LAMELLE CO 500,600 VERT	BLADE CO 500,600 GREEN
	12200-22	4111640			LAMELLE CO 500,600 TRANSP.	LAMELLE CO 500,600 TRANSP.	BLADE CO 500,600 TRANSP.
	17501-68	4011500			GEWICHT	POIDS	WEIGHT
	17502-98	4068380			GEWICHT	POIDS	WEIGHT

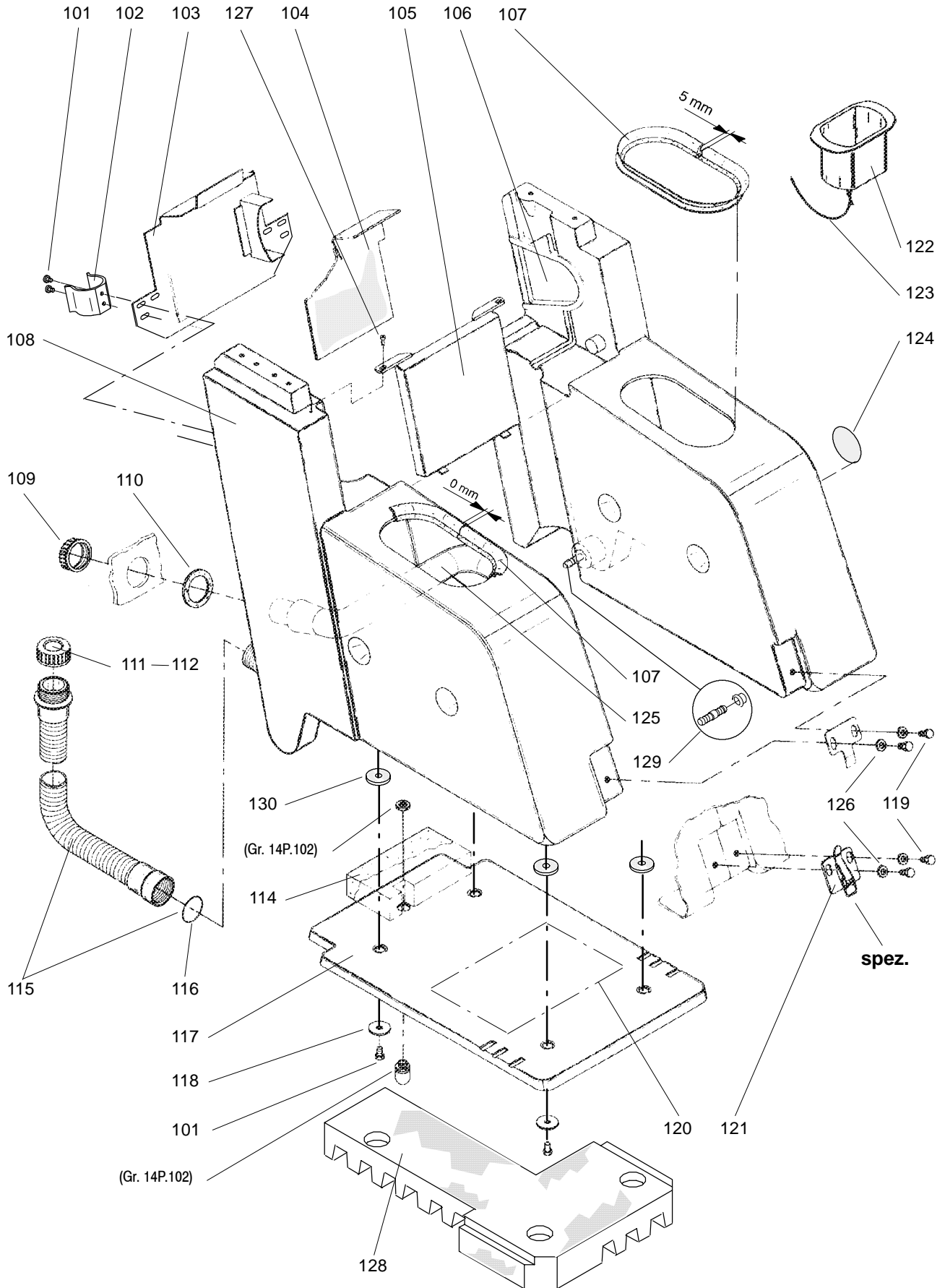




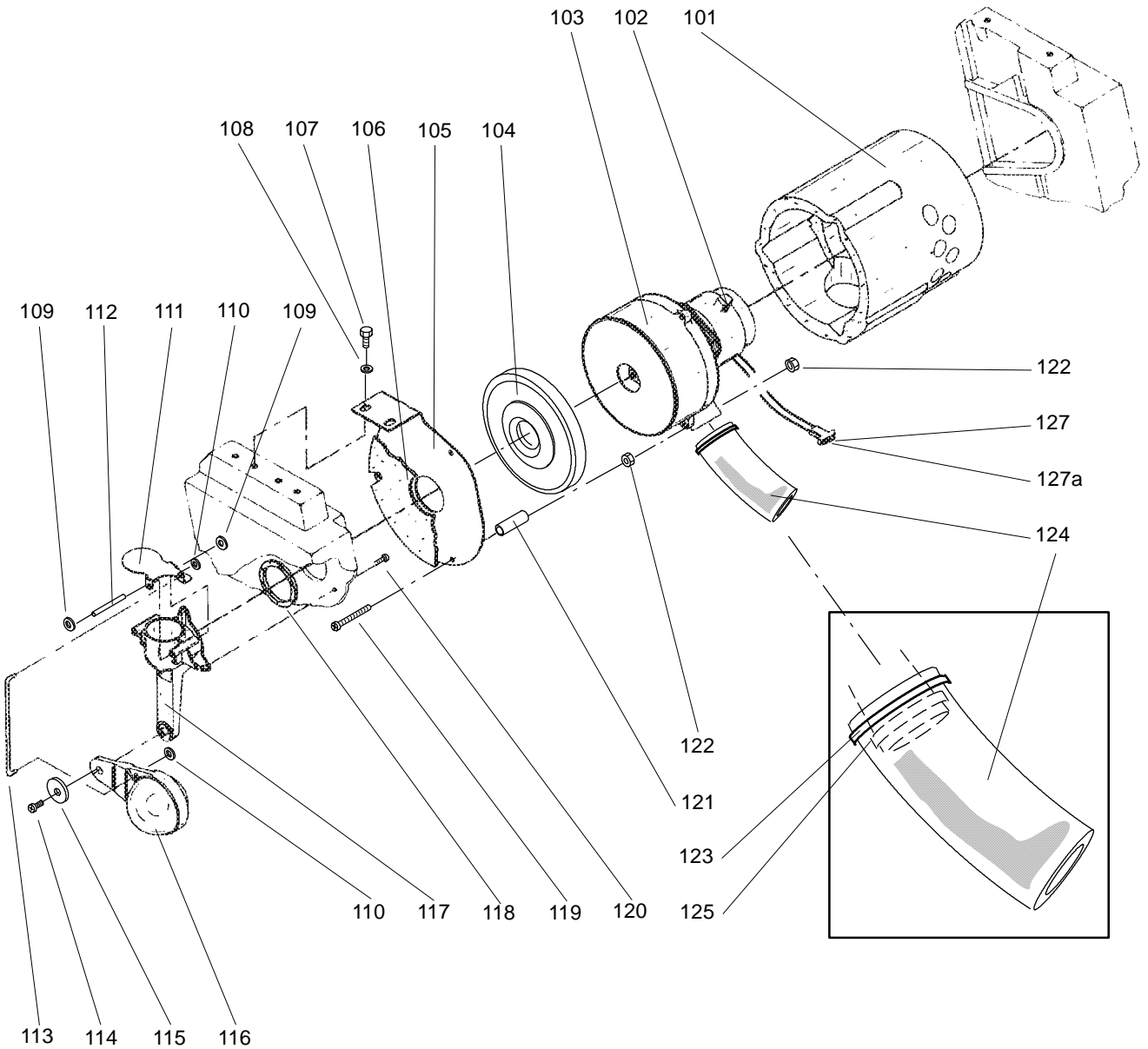
S004449					Maschinenunterteil	Bâti-Bac batteries	Machine undercarriage
Pos. No.	Artikelnr. Article No. Item No.	Bestellnr. No. de com Order No.	Model	Stck. Piè. Qty.	Bezeichnung	Designation	Description
101	1137/117	4104530		1.00	ZYL.SCHRAUBE I.6-KT. M 6X50	VIS CYL. A TROU 6 P. M 6X50	SOCKET HEAD CAP SCREW M 6X50
102	17500-44	4065070		1.00	GRIFF	BOUTON DE COMMANDE	TURNING KNOB
103	17560-42	4078040		1.00	WELLE	ARBRE	AXLE
104	17562-48	4098210		1.00	ANSCHLAGWINKEL	EQUERRE	ANGLE
105	1207/14	4019660		2.00	LI.ZYL.SCHRAUBE MIT KS M 4X16	VIS A TETE CYL. BOMB. M 4X16	RAISED CHEESE HD.SCREW M 4X16
106	17500-02	4055740		1.00	EXCENTER	ANNEAU EXCENTRIQUE	ECCENTRIC RING
107	17500-01	4056140		1.00	WINKEL	EQUERRE	BRACKET
108	17560-36	4077970		1.00	VENTILHALTER	FIXATION	HOLDER
109	1790/15	4007890		1.00	WELLENSCHEIBE 14/21,8	ENTRETOISE 14/21,8	WAVED WASHER 14/21,8
110	17500-03	4055730		1.00	SCHEIBE	RONDELLE	WASHER
111	1721/106	4092870		1.00	SICHERUNGSMUTTER M 6	ECROU DE SURETE M 6	SELF-LOCKING NUT M 6
113	1692/108	4077900		1.00	VIERKANTMUTTER M 4	ECROU CARRES M 4	SQUARE NUT M 4
114	17562-05	4081690		2.00	LAUFRAD 210 X 60	ROUE 210 X 60	WHEEL 210 X 60
115	17501-81	4068860		2.00	BUCHSE	DOUILLE	BUSH
116	1752/109	4068170		4.00	UNTERLAGSCHEIBE 10/35	RONDELLE 10/35	WASHER 10/35
117	1014/74	4039280		2.00	SECHSKANTSCHRAUBE M 10X50	VIS A TETE SIX PANS M 10X50	HEXAGON SCREW M 10X50
118	17503-17	4070150		2.00	RADDECKEL INKL. FEDERN	CHAPEAU DE ROUE INCL.RESSORTS	WHEEL COVER INCL. SPRINGS
119	17501-49	4010070		6.00	FEDER	RESSORESSORT	SPRING
120	17563-06	4086880		1.00	WANNE CO 600	BATI CO 600	HOUSING CO 600
121	1004/217	4106990		1.00	SECHSKANTSCHRAUBE M 8X50	VIS A TETE SIX PANS M 8X50	HEXAGON SCREW M 8X50
122	1756/4	4048930		5.00	UNTERLAGSCHEIBE 8,4/20X2	RONDELLE 8,4/20X2	WASHER 8,4/20X2
123	17560-69	4077980		1.00	BUCHSE	DOUILLE	BUSH
125	2911/108	4060390		4.00	SICHERUNGSRING 10 A	RONDELLE "SEEGER" 10 A	RETAINING RING 10 A
126	17560-71	4078050		2.00	ACHSE	ARBRE	AXLE
127	1004/207	4065230		2.00	SECHSKANTSCHRAUBE M 8X16	VIS A TETE SIX PANS M 8X16	HEXAGON SCREW M 8X16
128	17560-72	4078000		1.00	DUESENHALTER	FIXATION	HOLDER
129	1752/10	4007440		1.00	UNTERLAGSCHEIBE 4,3/9	RONDELLE 4,3/9	WASHER 4,3/9
130	1004/14	4046370		1.00	SECHSKANTSCHRAUBE M 4X16	VIS A TETE SIX PANS M 4X16	HEXAGON SCREW M 4X16
131	17560-73	4078010		1.00	LAGERBUEGEL	ETRIER	BRACKET
132	2807/423	4077940		1.00	ZUGFEDER 4,1X59	RESSORT DE TENSION 4,1X59	TENSION SPRING 4,1X59
133	1654/7	4007200		1.00	SECHSKANTMUTTER M 8	ECROU A SIX PANS M 8	HEXAGON NUT M 8
134	2433/100	4077930		1.00	STERNGRIF M 8X40	VIS ETOILE M 8X40	STAR SCREW M 8X40
135	17560-70	4077990		1.00	U-PROFIL	SUPPORT	SUPPORT
136	2801/75	4042150		1.00	DRUCKFEDER 13X40	RESSORT DE PRESSION 13X40	PRESSURE SPRING 13X40
138	17562-07	4078030	8001740	1.00	LOCHPLATTE	PLAQUE	PLATE
138	17562-07	4078030	8002090	1.00	LOCHPLATTE	PLAQUE	PLATE
139	1004/164	4070080		2.00	SECHSKANTSCHRAUBE M 6X10	VIS A TETE SIX PANS M 6X10	HEXAGON SCREW M 6X10
140	17560-35	4077960	8001730	1.00	HAKENPLATTE	CROCHET	HOOK
0				0			
0				0			
0				0			
4215/119	4034930				SOCKEL	PLAQUE AUTO-COLLANTE	SELF ADHESIVE PLATE
4215/3	4023260				KABELBINDER 185 MM	BANDE A LIER LES CABLES 185MM	CABLE TIE 185 MM
17561-12	4078020			1.00	SYMBOL "FILTER"	SYMBOL "FILTRE"	SYMBOL "FILTER"
17501-21	4036500			1.00	SYMBOL "WASSER"	SYMBOLE "DEBIT D'EAU"	SYMBOL "WATER"
17560-43	4106830			1.00	SYMBOL "BATTERIE"	SYMBOL "BATTERIE"	SYMBOL "BATTERY"
0				0			
0				0			
0				0			
8501720					LUFTBEREIFTES RAD	ROUE AVEC PNEU	PNEUMATIC WHEEL
2045/255	4077120			1.00	SCHLAUCH	PNEU A CHAMBRE INCORPOREE	INNER TUBE



S004454					Tank	Réservoir	Tank
Pos. No.	Artikelnr. Article No. Item No.	Bestellnr. No. de com Order No.	Model	Stck. Piè. Qty.	Bezeichnung	Designation	Description
101	1840/022	4087930		8.00	PT-SCHRAUBE KA 60X16	VIS POUR PLASTIQUE KA 60X16	SCREW FOR PLASTIC KA 60X16
102	30011-06	4081190		2.00	SCHLAUCHHALTER	TENON DE TUYAU	HOSE HOLDER
103	17561-21	4078130		1.00	DECKPLATTE	COUVERCLE	COVER
104	17562-37	4078160		1.00	DAEMPFUNGELEMENT	PLAQUE D'ISOLATION PHONIQUE	NOISE ABSORBING PLATE
105	17561-18	4078060		1.00	SAUGERDECKEL	COUVERCLE	COVER
106	17560-10	4078110		1.00	LAUGENTANK	RESERVOIR POUR SOLUTION	SOLUTION TANK
107	8662/001	4087080		0.55	DICHTPROFIL PER M	JOINT LE M	GASKET PER M
108	17560-09	4078100		1.00	TANK	RESERVOIR	TANK
109	19000-65	4016530		1.00	GEWINDERING	BAGUE FILETEE	TAPPED BUSH
110	17504-38	4068270		1.00	DICHTUNG	JOINT	GASKET
111	3866/104	4033210		1.00	DECKEL ROT	CHAPEAU DE FERMETURE ROUGE	TAPPED CAP RED
112	3866/103	4033270		1.00	DECKEL BLAU	CHAPEAU DE FERMETURE BLEU	TAPPED CAP BLUE
114	17562-38	4081670		1.00	DAEMPFUNGSSTREIFEN	PLAQUE D'ISOLATION PHONIQUE	NOISE ABSORBING PLATE
115	17562-39	4078070		2.00	SCHLAUCH	TUYAU FLEXIBLE	HOSE
116	3002/471	4073710		2.00	O-RING 32,93 X 3,53	JOINT-O 32,93 X 3,53	O-RING 32,93 X 3,53
117	17560-06	4078090		1.00	DECKEL	COUVERCLE	COVER
118	1752/103	4091170		4.00	UNTERLAGSCHEIBE 7/35	RONDELLE 7/35	WASHER 7/35
119	1004/205	4056320		2.00	SECHSKANTSCHRAUBE M 8X12	VIS A TETE SIX PANS M 8X12	HEXAGON SCREW M 8X12
120	17562-75			1.00	KLEINSCHEMA	SCHEMA	DIAGRAM
121	17561-75	4078140	8001730	1.00	VERSCHLUSSPLATTE	VERROU	LATCH
122	17562-32	4082160		1.00	DOSIERBECHER	DOSEUR	DOSING CUP
123	8807/011	4051890		0.70	SEIL PER METER	CORDELETTE LE METRE	CORD PER METER
124	17503-12	4032070		1.00	SYMBOL "BLAU"	SYMBOLE "BLEU"	SYMBOL "BLUE"
125	17560-17	4078120		1.00	STUTZEN	TUYAU D'ADMISSION	INTAKE
126	1756/4	4048930		2.00	UNTERLAGSCHEIBE 8,4/20X2	RONDELLE 8,4/20X2	WASHER 8,4/20X2
127	1810/163	4074890		2.00	SPANPL.SCHRAUBE KS 4,5X16	VIS A TETE BOMBEE 4,5X16	PAN HEAD TAPP.SCREW 4,5X16
128	17561-87	4079760		1.00	AUFLAGE	PROTECTION	POSITIONING PLATE
129	3395/024	4091950			NIPPEL MIT DICHTUNG	RACCORD AVEC JOINT	NIPPLE WITH GASKET
130	17584-07	4087750		4.00	DICHTUNG	JOINT	GASKET



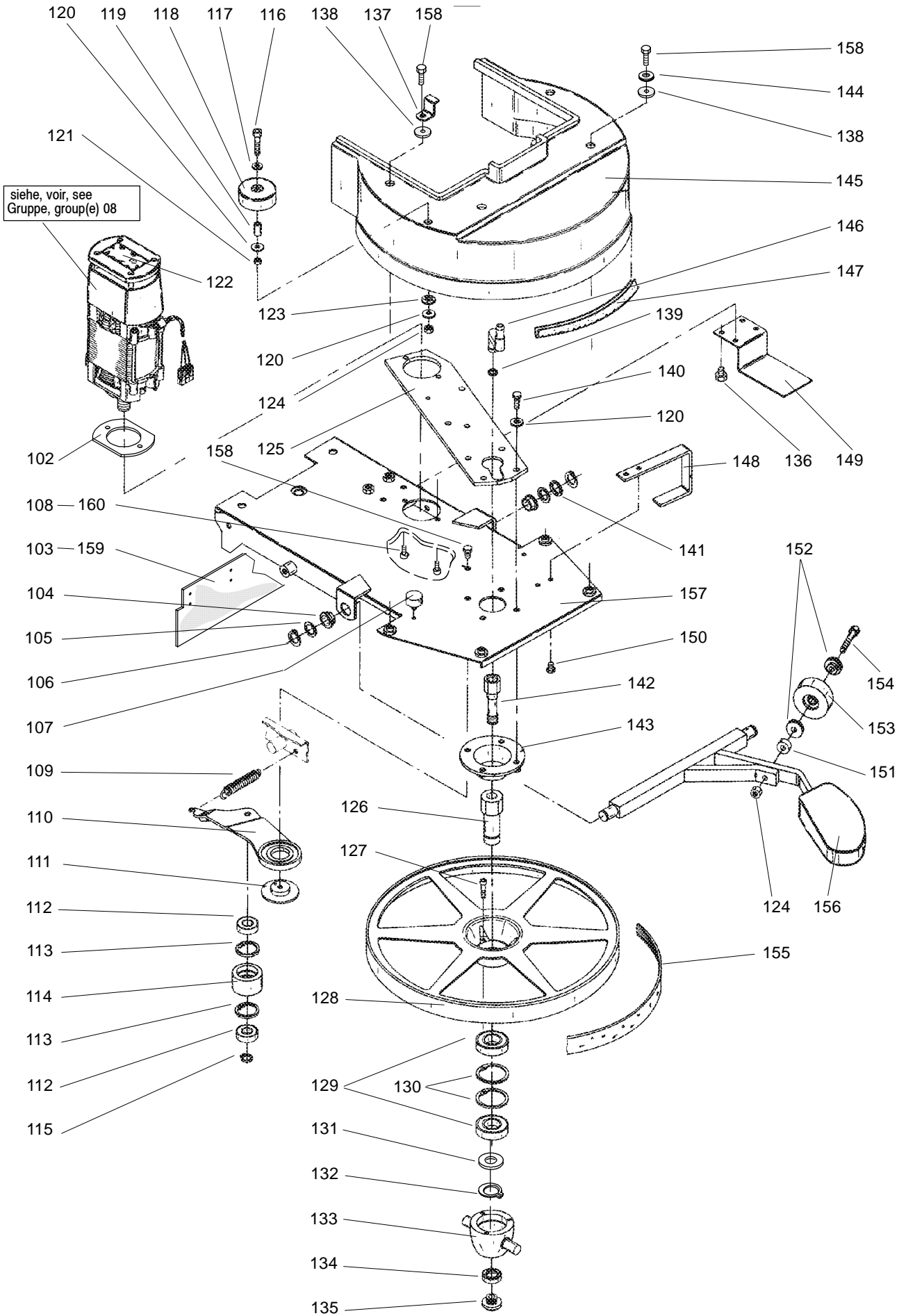
S004458					Saugaggregat	Agrégat d'aspiration	Vacuum unit
Pos. No.	Artikelnr. Article No. Item No.	Bestellnr. No. de com Order No.	Model	Stck. Piè. Qty.	Bezeichnung	Designation	Description
101	17560-13	4078220		1.00	SCHALLDAEMPfung	ISOLATION PHONIQUE	NOISE ABSORBING MANTLE
102	4700/110	4067320		2.00	KOHLEBUERSTE	BALAI CHARBON	CARBON BRUSH
103	17561-17	4075310		1.00	MOTORTURBINE 24 V	AGREGAT D'ASPIRATION 24 V	VACUUM MOTOR 24 V
104	17560-14	4078230		1.00	DICHTUNG	JOINT	GASKET
105	17560-15	4078240		1.00	MOTORWINKEL	SUPPORT	SUPPORT
106	17562-36	4078330		1.00	DAEMPfungSSCHEIBE	FLASQUE D'ISOLATION PHONIQUE	NOISE ABSORBING DISC
107	1004/205	4056320		2.00	SECHSKANTSCHRAUBE M 8X12	VIS A TETE SIX PANS M 8X12	HEXAGON SCREW M 8X12
108	1756/4	4048930		2.00	UNTERLAGSCHEIBE 8,4/20X2	RONDELLE 8,4/20X2	WASHER 8,4/20X2
109	2904/052	4078210		2.00	HALTERING D 4	ANNEAU DE RETENUE D 4	STAR CAP D 4
110	2904/051	4078200		2.00	HALTERING D 3	ANNEAU DE RETENUE D 3	START CAP D 3
111	17561-46	4078280		1.00	KLAPPE	CLAPET DE FERMETURE	FLAP
112	1900/173	4078190		1.00	ZYLINDERSTIFT 4X50	GOUPILLE CYL. 4X50	DOWEL PIN 4X50
113	17562-02	4078290		1.00	STANGE	CROCHET	ROD
114	1840/102	4078180		1.00	PT-SCHRAUBE KA 40X10	VIS POUR PLASTIQUE KA 40X10	SCREW FOR PLASTIC KA 40X10
115	17562-16	4078320		1.00	SCHEIBE	RONDELLE	WASHER
116	17562-13	4078300		1.00	SCHWIMMER	FLOTTEUR	FLOAT
117	17562-14	4078310		1.00	VENTILGEHAEUSE	BATI	HOUSING
118	17560-46	4078260		1.00	DICHTUNG	JOINT	GASKET
119	1207/240	4078170		3.00	LI.ZYL.SCHRAUBE MIT KS M 6X80	VIS A TETE CYL. BOMB. M 6X80	RAISED CHEESE HD.SCREW M 6X80
120	1840/002	4015720		3.00	PT-SCHRAUBE KA 40X14	VIS POUR PLASTIQUE KA 40X14	SCREW FOR PLASTIC KA 40X14
121	17560-80	4078270		3.00	BUCHSE	DOUILLE	BUSH
122	1654/6	4007190		6.00	SECHSKANTMUTTER M 6	ECROU A SIX PANS M 6	HEXAGON NUT M 6
123	4215/117	4012650		1.00	KABELBINDER	BANDE A LIER LES CABLES	CABLE TIE
124	17560-20	4078250		1.00	DAEMPfungSSCHLAUCH	TUYAU	HOSE
125	2174/108	4087000		1.00	SCHLAUCHKLEMME 35-50	BRIDE 35-50	HOSE CLAMP 35-50
127	4080/024	4067030		1.00	STIFTGEHAEUSE 2-POLIG	FICHE MULTIPLE 2-POLES	2-POLE PLUG
127a	4080/084	4067230		2.00	STIFT	COSSE MALE	PLUG PIN



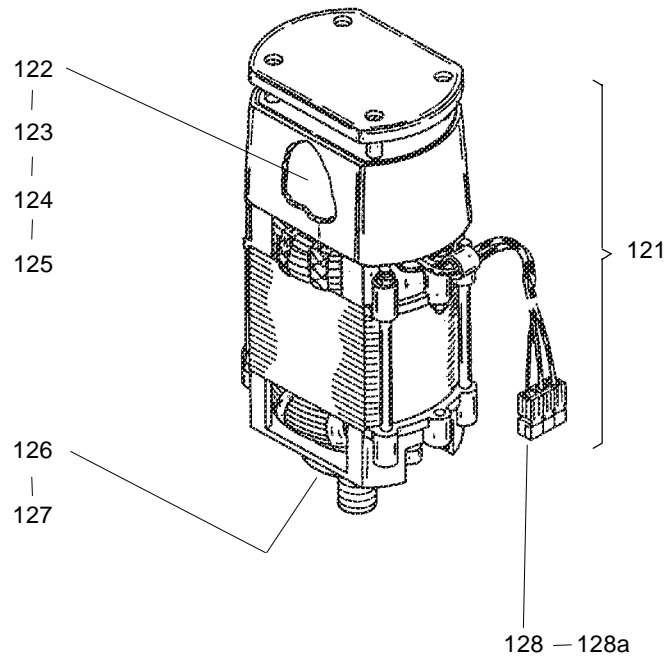
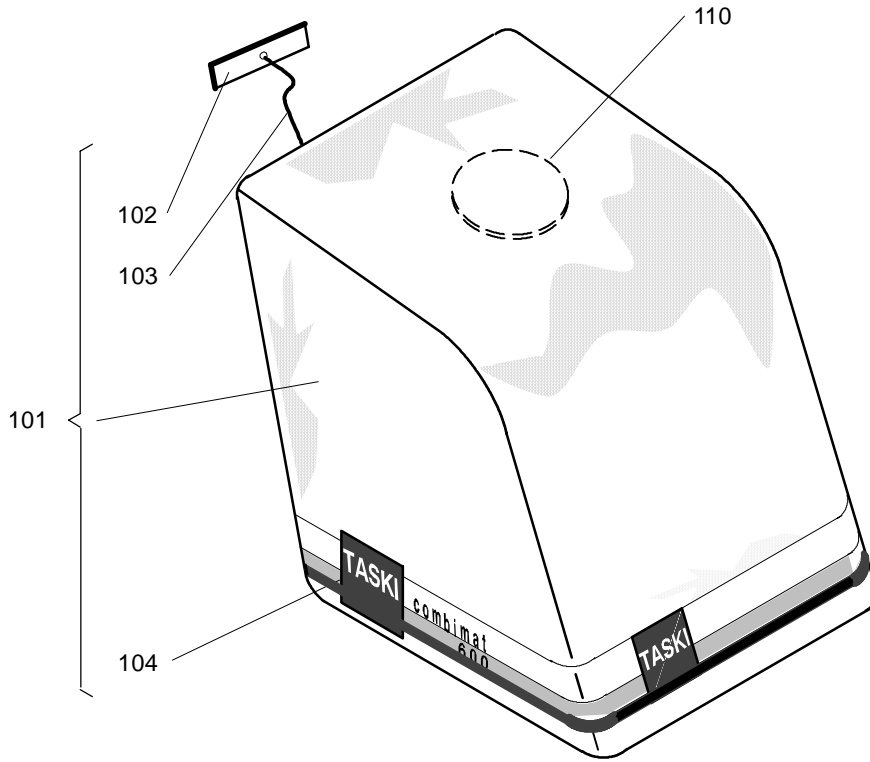
S004462					Bürstenantrieb	Entrainement de brosse	Brush drive
Pos. No.	Artikelnr. Article No. Item No.	Bestellnr. No. de com Order No.	Model	Stck. Piè. Qty.	Bezeichnung	Designation	Description
102	17563-03	4098680		1.00	DAEMPfungSSCHEIBE	ISOLATION PHONIQUE	NOISE ABSORBING DISC
103	17563-02	4098670		1.00	DAEMPfungSLAPPEN	ISOLATION PHONIQUE	NOISE ABSORBING SHIELD
104	15100-14	4023390		2.00	GLEITLAGER	COUSSINET	SLIDE BEARING
105	1791/214	4023380		2.00	PASSSCHEIBE 16/22	RONDELLE D'AJUSTAGE 16/22	LEVELING DISC 16/22
106	2911/16	4023370		2.00	SICHERUNGSRING 16 A	RONDELLE "SEEGER" 16 A	RETAINING RING 16 A
107	17562-65	4084360		2.00	RUNDPUFFER	BUTOIR	BUFFER
108	1004/69	4039210		2.00	SECHSKANTSCHRAUBE M 6X25	VIS A TETE SIX PANS M 6X25	HEXAGON SCREW M 6X25
109	2806/011	4084770		1.00	ZUGFEDER	RESSORT DE PRESSION	TENSION SPRING
110	17562-67	4084370		1.00	SCHWENKHEBEL	LEVIER	LEVER
111	17562-69	4084380		1.00	BUNDSCHEIBE	DISQUE A EPAULEMENT	SHOULDER DISC
112	2530/102	4021890		2.00	RILLENKUGELLAGER 6002 2RS	ROULEMENT A BILLES 6002 2RS	BALL BEARING 6002 2RS
113	2912/25	4008720		2.00	SICHERUNGSRING 32 J	RONDELLE "SEEGER" 32 J	RETAINING RING 32 J
114	17560-40	4078430		1.00	SPANNROLLE	ROULETTE	CASTOR
115	2911/113	4064740		1.00	SICHERUNGSRING 15 A	RONDELLE "SEEGER" 15 A	RETAINING RING 15 A
116	1129/85	4061390		1.00	ZYL.SCHRAUBE I.6-KT. M 8X35	VIS CYL. A TROU 6 P. M 8X35	SOCKET HEAD CAP SCREW M 8X35
117	1747/15	4007400		1.00	UNTERLAGSCHEIBE 8,4/16	RONDELLE 8,4/16	WASHER 8,4/16
118	15050-3	4023780		1.00	GLEITROLLE	ROULETTE DE DETOUR	BUMPER WHEEL
119	17501-00	4036490		1.00	BUCHSE	DOUILLE	BUSH
120	1756/4	4048930		6.00	UNTERLAGSCHEIBE 8,4/20X2	RONDELLE 8,4/20X2	WASHER 8,4/20X2
121	17501-17	4016390		1.00	BUCHSE	DOUILLE	BUSH
122	17561-10			1.00	SYMBOLE BATTERIEANSCHLUSS	SYMBOL BATTERIE	SYMBOL BATTERIE
123	17503-89	4068350		1.00	DICHTUNG	JOINT	GASKET
124	1654/7	4007200		2.00	SECHSKANTMUTTER M 8	ECROU A SIX PANS M 8	HEXAGON NUT M 8
125	17560-68	4078490		1.00	PLATTE	PLAQUE	PLATE
126	17502-02	4068820		1.00	ACHSE	ARBRE	AXLE
127	1137/18	4006520		3.00	ZYL.SCHRAUBE I.6-KT. M 6X30	VIS CYL. A TROU 6 P. M 6X30	SOCKET HEAD CAP SCREW M 6X30
128	17561-00	4078550		1.00	RIEMENRAD	ROUE	WHEEL
129	2530/105	4022420		2.00	RILLENKUGELLAGER 6005 2RS	ROULEMENT A BILLES 6005 2RS	BALL BEARING 6005 2RS
130	2912/34	4044920		2.00	SICHERUNGSRING 47 J	RONDELLE "SEEGER" 47 J	RETAINING RING 47 J
131	1791/139	4084340			PASSSCHEIBE 25/35X0,2	RONDELLE D'ADJUST. 25/35X0,2	LEVELING DISC 25/35X0,2
131	1791/179	4084150			PASSSCHEIBE 25/35X0,5	RONDELLE D'ADJUST. 25/35X0,5	LEVELING DISC 25/35X0,5
132	2911/23	4008690		1.00	SICHERUNGSRING 25 A	RONDELLE "SEEGER" 25 A	RETAINING RING 25 A
133	17502-03	4068830		1.00	NABE	ACCOUPLLEMENT	COUPLING
134	3000/208	4066050		1.00	WELLENDICHRING 25/35	BAGUE A LEVRES 25/35	SHAFT SEAL 25/35
135	17504-90	4071520		1.00	ZAPFEN	PIECE DE REPOS	SUPPORTING PLUG
136	1004/205	4056320		2.00	SECHSKANTSCHRAUBE M 8X12	VIS A TETE SIX PANS M 8X12	HEXAGON SCREW M 8X12
137	17560-28	4078390		2.00	BRIDE	FIXATION	HOLDER
138	17503-77	4066770		6.00	DICHTUNG	JOINT	GASKET
139	3002/12	4008940		1.00	O-RING 10,82 X 1,78	JOINT-O 10,82 X 1,78	O-RING 10,82 X 1,78
140	1004/75	4006060		4.00	SECHSKANTSCHRAUBE M 8X20	VIS A TETE SIX PANS M 8X20	HEXAGON SCREW M 8X20
141	1790/12	4014100		1.00	WELLENSCHEIBE 17,3/23,8	ENTRETOISE 17,3/23,8	WAVED WASHER 17,3/23,8
142	17560-26	4078380		1.00	NIPPEL	RACCORD	NIPPLE
143	17560-24	4078360		1.00	BECHER	FLASQUE	FLANGE
144	17503-28	4066730		2.00	SCHEIBE	RONDELLE	WASHER
145	17560-25	4078370		1.00	GETRIEBEHAUBE CO 600	CAPOT DE BROUSSE CO 600	BRUSH HOUSING CO 600
146	17560-21	4078350		1.00	Z-NIPPEL	RACCORD	Z-NIPPLE
147	8861/101	4071260		0.93	KANTENSCHUTZPROFIL PER M	PROFIL DE PROTECTION LE M	BUMPER PROFILE PER M
148	17560-66	4078470		1.00	BUEGEL	ETRIER	BRACKET
149	17560-60	4078460		1.00	ABDECKUNG	COUVERCLE	COVER
150	1004/164	4070080		2.00	SECHSKANTSCHRAUBE M 6X10	VIS A TETE SIX PANS M 6X10	HEXAGON SCREW M 6X10

S004462					Bürstenantrieb	Entrainement de brosse	Brush drive
Pos. No.	Artikelnr. Article No. Item No.	Bestellnr. No. de com Order No.	Model	Stck. Piè. Qty.	Bezeichnung	Designation	Description
151	17503-13	4032470		1.00	BUCHSE	DOUILLE	BUSH
152	17562-09	4078540		2.00	DICHTSCHEIBE	DOUILLE	BUSH
153	17561-33	4078510		1.00	ROLLE	POULIE	PULLEY
154	1004/217	4106990		1.00	SECHSKANTSCHRAUBE M 8X50	VIS A TETE SIX PANS M 8X50	HEXAGON SCREW M 8X50
155	2157/002	4075250		1.00	KEILRIPPENRIEMEN	COURROIE A NERVURES CUNEIF.	DRIVE BELT
156	17561-36	4078520		1.00	HEBEL	LEVIER	LEVER
157	17560-67	4078480		1.00	MOTORPLATTE	PLAQUE DE MONTAGE	BASE PLATE
158	1004/207	4065230		5.00	SECHSKANTSCHRAUBE M 8X16	VIS A TETE SIX PANS M 8X16	HEXAGON SCREW M 8X16
159	4215/3	4023260		3.00	KABELBINDER 185 MM	BANDE A LIER LES CABLES 185MM	CABLE TIE 185 MM
160	8936/1	4017370			SICH'G.KLEBSTOFF MITTEL 50 GR	COLLE P. BLOCAGE MOYEN 50 GR	ADHESIVE LOCKING MIDDLE 50GR

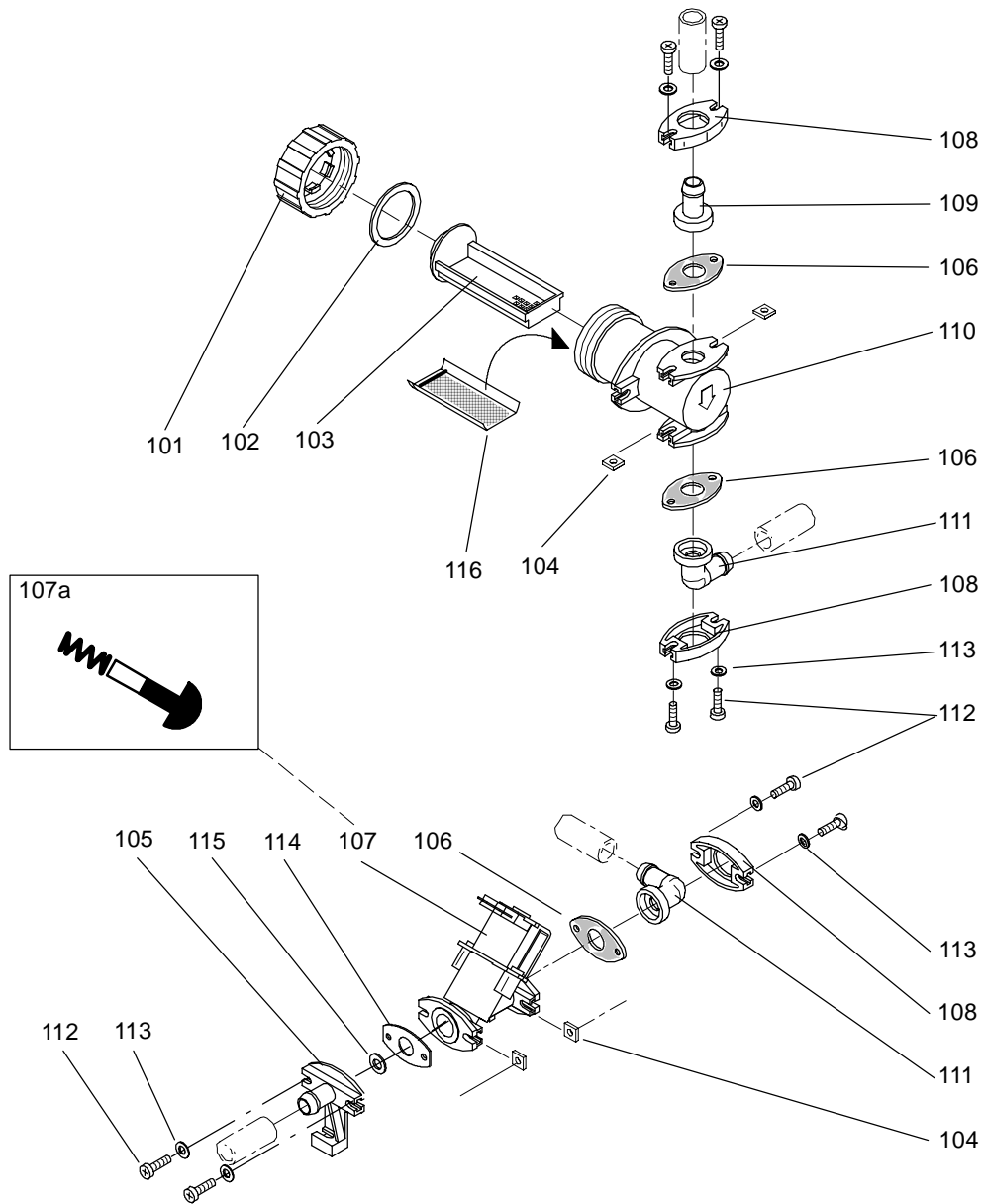




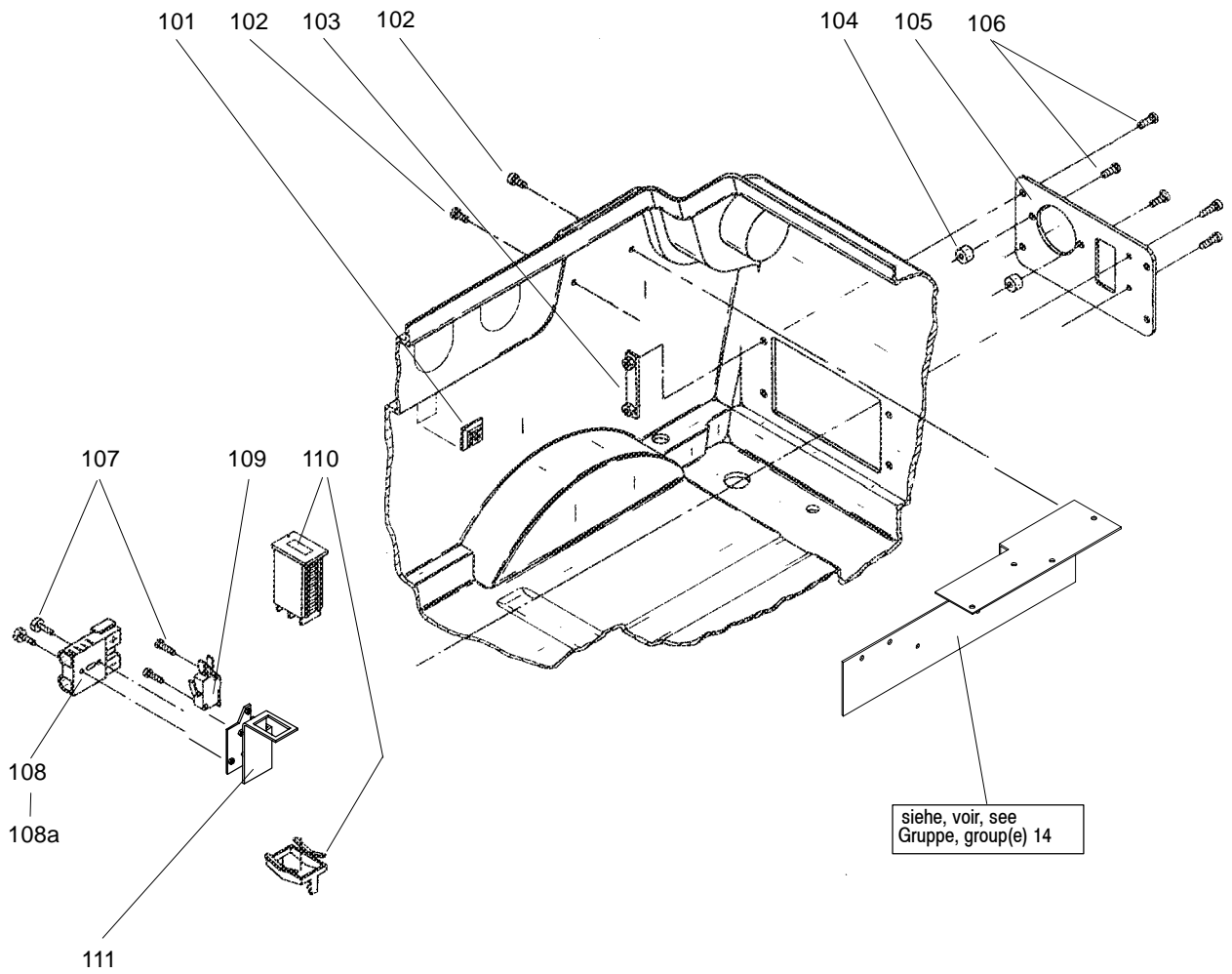
S004466					Haube / Motor	Couvercle de la machine / Moteur	Hood / Motot
Pos. No.	Artikelnr. Article No. Item No.	Bestellnr. No. de com Order No.	Model	Stck. Piè. Qty.	Bezeichnung	Designation	Description
101	17560-99	4078570		1.00	HAUBE CO 600	COUVERCLE CO 600	HOOD CO 600
102	17562-56	4082010		1.00	LASCHE	ARRET	HOLDER
103	8807/011	4051890		0.82	SEIL PER METER	CORDELETTE LE METRE	CORD PER METER
104	17561-55	4078560		1.00	SCHRIFTZUG CO 600	AUTOCOLLANT CO 600	DECORATIVE STRIP CO 600
	0			0			
	0			0			
	0			0			
110	7501640				WERKZEUGHALTER	PORTE ACCESSOIRE	ACCESSORY HOLDER
	0			0			
	0			0			
	0			0			
121	17560-75	4075220		1.00	MOTOR KOMPLETT	MOTEUR COMPL.	MOTOR COMPL.
122	2530/121	4064860		1.00	RILLENKUGELLAGER 6201 2RS	ROULEMENT A BILLES 6201 2RS	BALL BEARING 6201 2RS
123	2911/11	4008660		2.00	SICHERUNGSRING 12 A	RONDELLE "SEEGER" 12 A	RETAINING RING 12 A
124	17560-95	4095800		2.00	KOHLEBUERSTE	BALAI CHARBON	CARBON BRUSH
125	3395/068	4106890		1.00	VENTILATOR	VENTILATEUR	FAN
126	2530/105	4022420		1.00	RILLENKUGELLAGER 6005 2RS	ROULEMENT A BILLES 6005 2RS	BALL BEARING 6005 2RS
127	2911/23	4008690		1.00	SICHERUNGSRING 25 A	RONDELLE "SEEGER" 25 A	RETAINING RING 25 A
128	4962/163	4077890		1.00	STECKERGEHAEUSE	BATI DE FICHE	PLUG HOUSING
128a	4962/199	4077880		1.00	STECKERZUNGE	LANGUETTE DE FICHE	PLUG TONGUE



S004474					Filter, Magnetventil	Filtre, Soupape magnetique	Filter, Magnetic valve
Pos. No.	Artikelnr. Article No. Item No.	Bestellnr. No. de com Order No.	Model	Stck. Piè. Qty.	Bezeichnung	Designation	Description
101	17560-00	4075280		1.00	FILTERDECKEL	COUVERCLE	COVER
102	17560-03	4075300		1.00	DICHTUNG	JOINT	GASKET
103	17563-33	4095220		1.00	FILTERSIEB	FILTRE	FILTER
104	1692/108	4077900		10.00	VIERKANTMUTTER M 4	ECROU CARRES M 4	SQUARE NUT M 4
105	17560-04	4078600		1.00	VENTILNIPPEL	FLASQUE DE SOUPE	VALVE FLANGE
106	17505-02	4075270		3.00	FLANSCHDICHTUNG	JOINT	GASKET
107	17607-61	4122936		1.00	MAGNETVENTIL 24 V	SOUPE MAGNETIQUE 24 V	MAGNETIC VALVE 24 V
107a	17607-63	4122937			REPARATURSET VENTIL	KIT REP. SOUPE	REPAIR SET VALVE
108	17560-05	4078610		3.00	FLANSCH	FLASQUE	FLANGE
109	17505-01	4078580		1.00	NIPPEL	NIPPLE	NIPPLE
110	17560-02	4078590		1.00	FILTERGEHAEUSE	BATI DE FILTRE	FILTER HOUSING
111	17561-01	4078620		2.00	WINKELNIPPEL	COUDE	ANGLED NIPPLE
112	1207/14	4019660		8.00	LI.ZYL.SCHRAUBE MIT KS M 4X16	VIS A TETE CYL. BOMB. M 4X16	RAISED CHEESE HD.SCREW M 4X16
113	1752/35	4007480		8.00	UNTERLAGSCHEIBE 4,3/12	RONDELLE 4,3/12	WASHER 4,3/12
114	17506-74	4121640		1.00	DISTANZBLECH	PLAQUE INTERMEDIAIRE	INTERMEDIATE PLATE
115	17506-75	4121630		1.00	DICHTUNG	JOINT	GASKET
116	56001-67	4104790		1.00	FILTEREINSATZ	INSERTION, FILTRE	INSERT, FILTER

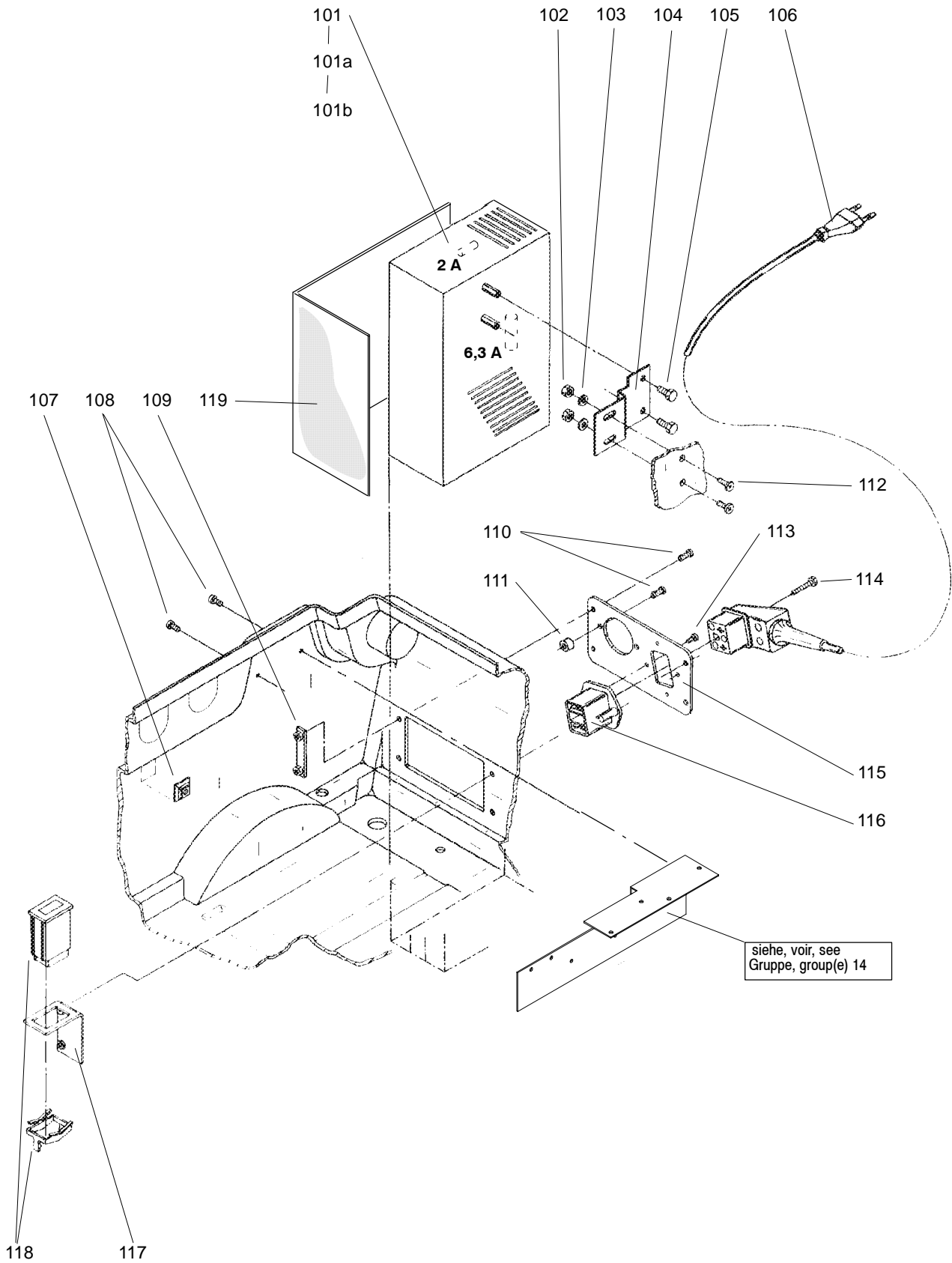


S004478					Elektroteile (Mod.standard)	Pièces électrique (Mod.standard)	Electrical parts (Mod.standard)
Pos. No.	Artikelnr. Article No. Item No.	Bestellnr. No. de com Order No.	Model	Stck. Piè. Qty.	Bezeichnung	Designation	Description
101	4215/119	4034930		8.00	SOCKEL	PLAQUE AUTO-COLLANTE	SELF ADHESIVE PLATE
102	1207/206	4060530		2.00	LI.ZYL.SCHRAUBE MIT KS M 5X10	VIS A TETE CYL. BOMB. M 5X10	RAISED CHEESE HD.SCREW M 5X10
103	17561-80	4078710		2.00	PLATTE	PLAQUE	PLATE
104	17561-84	4078720		2.00	BUCHSE	DOUILLE	BUSH
105	17561-22	4078690		1.00	LOCHPLATTE	PLAQUE	PLATE
106	1207/14	4019660		8.00	LI.ZYL.SCHRAUBE MIT KS M 4X16	VIS A TETE CYL. BOMB. M 4X16	RAISED CHEESE HD.SCREW M 4X16
107	1207/150	4065130		4.00	LI.ZYL.SCHRAUBE MIT KS M 3X20	VIS A TETE CYL. BOMB. M 3X20	RAISED CHEESE HD.SCREW M 3X20
108	4961/52	4043320		1.00	LADESTECKERGEHAEUSE	BATI DE FICHE DE CHARGE	CHARGER JACK HOUSING
108a	4961/51	4044080		2.00	LADESTECKERZUNGE	LANGUETTE DE FICHE D.CHARGE	CHARGER JACK TONGUE
109	4501/113	4078650		1.00	MICROSCHALTER	MICRORUPTEUR	MICROSWITCH
110	4991/105	4075260		1.00	BETRIEBSSTUNDENZAehler	COMPTEUR HORAIRE	WORKING HOUR METER
111	17561-70	4078700		1.00	STECKERWINKEL	FIXATION	HOLDER
	4215/3	4023260			KABELBINDER 185 MM	BANDE A LIER LES CABLES 185MM	CABLE TIE 185 MM

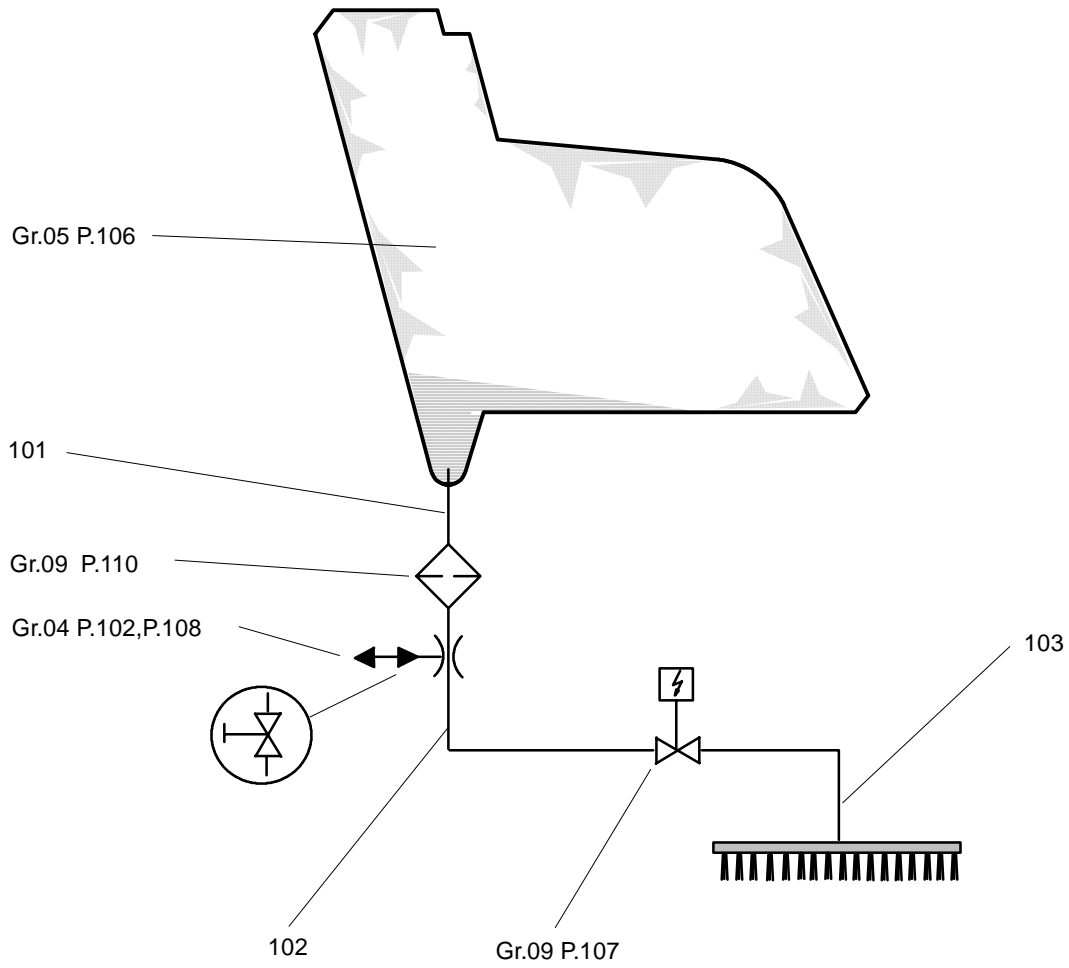


S004482					Elektroteile (Mod.BMS)	Pièces électrique (Mod.BMS)	Electrical parts (Mod.BMS)
Pos. No.	Artikelnr. Article No. Item No.	Bestellnr. No. de com Order No.	Model	Stck. Piè. Qty.	Bezeichnung	Designation	Description
101	17563-26	4089930		1.00	AT-LADEGERAET CO 600 230V	ECHANGE CHARGEUR CO 600 230V	EXCHANGE CHARGER CO 600 230V
101a	4326/124	4025810		1.00	FEINSICHERUNG 2A TRAEGE	FUSIBLE FIN RETARDE 2A	FINE WIRE FUSE 2A SLOW-BLOW
101b	4326/194	4079300		1.00	FEINSICHERUNG 6,3A TRAEGE	FUSIBLE RETARDE 6,3A	FINE WIRE FUSE 6,3A SLOW-BLOW
102	1654/5	4007180		2.00	SECHSKANTMUTTER M 5	ECROU A SIX PANS M 5	HEXAGON NUT M 5
103	1752/123	4060330		2.00	UNTERLAGSCHEIBE 5,3/15X1,2	RONDELLE 5,3/15X1,2	WASHER 5,3/15X1,2
104	17562-35	4078780		1.00	DISTANZWINKEL	FIXATION	BRACKET
105	1004/164	4070080		2.00	SECHSKANTSCHRAUBE M 6X10	VIS A TETE SIX PANS M 6X10	HEXAGON SCREW M 6X10
106	17562-22	4079370	8001740	1.00	NETZKABEL	CABLE D'ALIMENTATION	MAIN CORD
106	17562-30	4083530	8002090	1.00	NETZKABEL	CABLE D'ALIMENTATION	MAIN CORD
107	4215/119	4034930		8.00	SOCKEL	PLAQUE AUTO-COLLANTE	SELF ADHESIVE PLATE
108	1207/206	4060530		2.00	LI.ZYL.SCHRAUBE MIT KS M 5X10	VIS A TETE CYL. BOMB. M 5X10	RAISED CHEESE HD.SCREW M 5X10
109	17561-80	4078710		1.00	PLATTE	PLAQUE	PLATE
110	1207/14	4019660		6.00	LI.ZYL.SCHRAUBE MIT KS M 4X16	VIS A TETE CYL. BOMB. M 4X16	RAISED CHEESE HD.SCREW M 4X16
111	17561-84	4078720		2.00	BUCHSE	DOUILLE	BUSH
112	1202/309	4031540		2.00	ZYL.SCHRAUBE MIT K.S. M 5X16	VIS A TETE CYL. M 5X16	CHEESE HEAD SCREW M 5X16
113	1840/006	4025970		2.00	PT-SCHRAUBE KA 40X10	VIS POUR PLASTIQUE KA 40X10	SCREW FOR PLASTIC KA 40X10
114	1840/011	4079480		1.00	PT-SCHRAUBE KA 35X20	VIS POUR PLASTIQUE KA 35X20	SCREW FOR PLASTIC KA 35X20
115	17561-79	4078760		1.00	LOCHPLATTE	PLAQUE	PLATE
116	17562-20	4078770	8001740	1.00	ANSCHLUSSGEHAEUSE	FICHE DE CONNECTEUR	PLUG SOCKET
116	17562-20	4078770	8002090	1.00	ANSCHLUSSGEHAEUSE	FICHE DE CONNECTEUR	PLUG SOCKET
117	17561-53	4078750		1.00	WINKEL	FIXATION	HOLDER
118	4991/105	4075260		1.00	BETRIEBSSTUNDENZAehler	COMPTEUR HORAIRE	WORKING HOUR METER
119	17563-42	4122234		1.00	ABSCHIRMWINKEL	EQUERRE DE BLINDAGE	SCREENING SHIELD
	4215/3	4023260			KABELBINDER 185 MM	BANDE A LIER LES CABLES 185MM	CABLE TIE 185 MM





S004486					Wasserführung	Écoulement de l'eau	Water outlet
Pos. No.	Artikelnr. Article No. Item No.	Bestellnr. No. de com Order No.	Model	Stck. Piè. Qty.	Bezeichnung	Designation	Description
101	8821/21	4005380		0.29	SCHLAUCH 10/14 PER METER	TUYAU 10/14 LE METRE	HOSE 10/14 PER METER
102	8881/118	4026030		0.80	SILIKONSCHLAUCH 8/12 PER M	TUYAU 8/12 LE METRE	HOSE 8/12 PER METER
103	8820/10	4028460		0.15	SPIRALFLEX-SCHLAUCH 10/16 P.M	TUYAU SPIRALFLEX 10/16 LE M	HOSE SPIRALFLEX 10/16 PER M



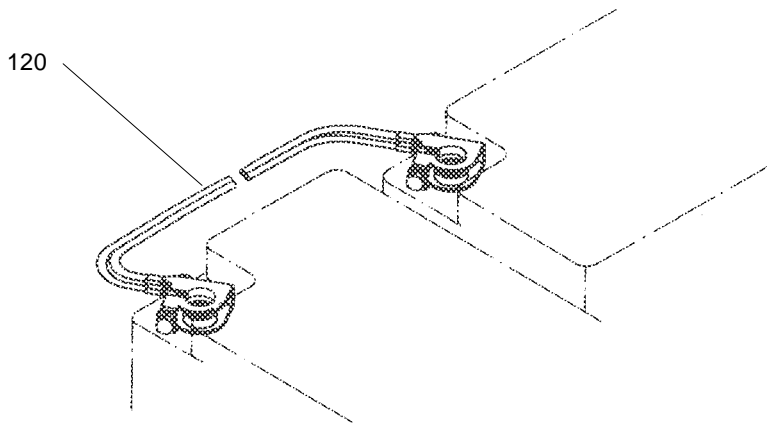
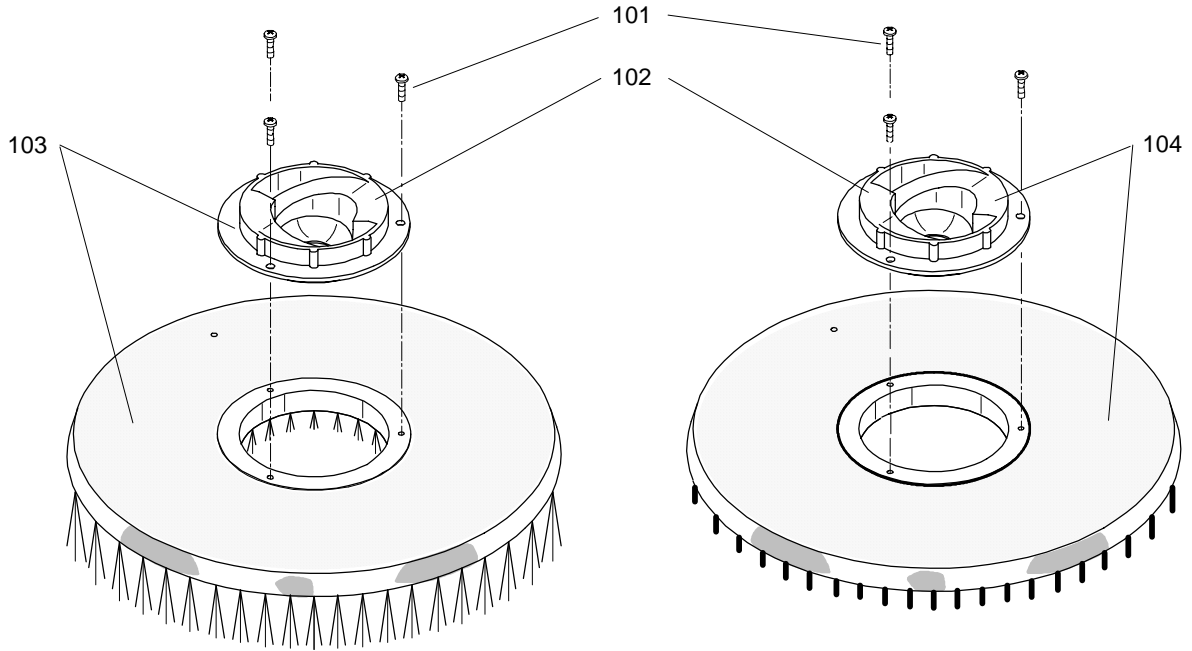
Gr.04P.102,108  
Gr.05P.106  
Gr.09P.103,110  
Gr.09P.107

VENTIL  
LAUGENTANK  
FILTER  
MAGNETVENTIL

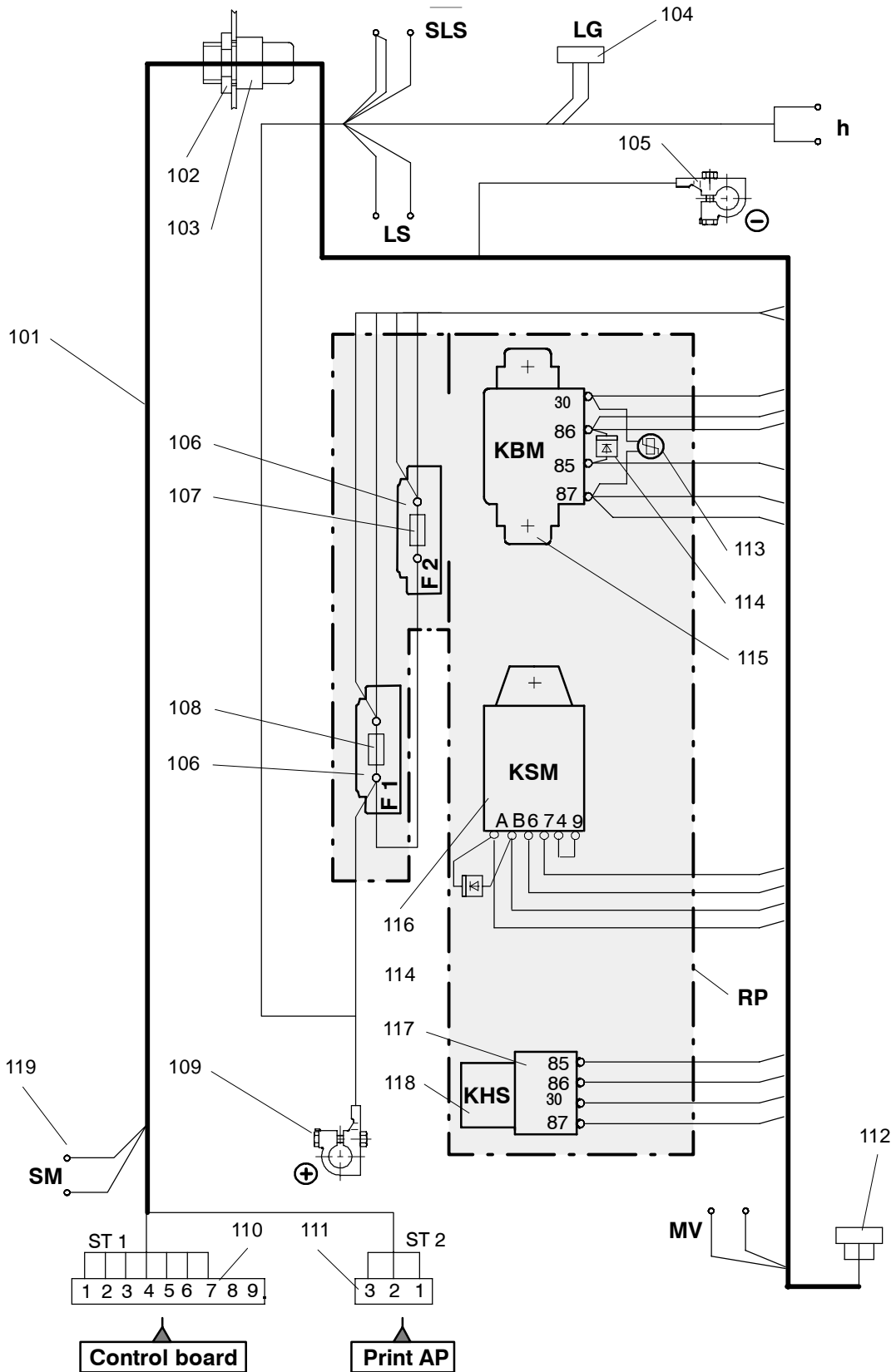
SOUPAPE  
RESERVOIR POUR SOLUTION  
FILTRE  
SOUPAPE MAGNETIQUE

VALVE  
SOLUTION TANK  
FILTER  
MAGNETIC VALVE

S004490					Diverse Ersatzteile	Pièces détachées diverses	Varios spare parts
Pos. No.	Artikelnr. Article No. Item No.	Bestellnr. No. de com Order No.	Model	Stck. Piè. Qty.	Bezeichnung	Designation	Description
101	1810/185	4094430		3.00	SK-SPANPL.SCHRAUBE KS M 5X20	VIS A TETE FRAISSE M 5X20	PAN HEAD TAPP.SCREW M 5X20
102	17504-18	4068220		1.00	BUERSTENKUPPLUNG	ACCOUPLMENT	COUPLING
103	8501670				SCHEUERBUERSTE 38	BROSSE A RECURER 38	SCRUBBING BRUSH 38
103	8501660				SCHEUERBUERSTE WASCHBETON 38	BROSSE A RECURER LE BETON LAVE 38	SCRUBBING BRUSH F.WASH.CONCR. 38
104	8501650				FUEHRUNGSTELLER BEBORSTET 38	PLATEAU ENTRAINEUR A POIL RAS 38	DRIVE DISC 38
	0				0		
	0				0		
	0				0		
120	12051-84	4084170		1.00	LITZE MIT BATTERIEKLEMME	CABLE AVEC COSSE POUR BATTERY	CABLE WITH BATTERY CLAMP



S004494					Kabelbaum	Toron de câble	Cable strang
Pos. No.	Artikelnr. Article No. Item No.	Bestellnr. No. de com Order No.	Model	Stck. Piè. Qty.	Bezeichnung	Designation	Description
101	17562-52	4082660		1.00	KABELBAUM CO 600	TORON DE CABLE CO 600	CABLE STRAND CO 600
102	4003/11	4043310		1.00	GEGENMUTTER PG 11	CONTRE-ECROU PG 11	PG 11 LOCK-NUT
103	4006/3	4042240		1.00	STOPFBUECHSE PG 11	PRESSE-ETOUPE PG 11	CABLE BUSH PG 11
104	4080/090	4067200		1.00	VIELFACH-STECKKUPPLUNG 2-POL.	FICHE MULTIPLE 2-POLES, FEM.	2-POLE PLUG, FEMALE
104a	4074/102	4067070		2.00	BUCHSE	COSSE FEMELLE	SOCKET INSERT
105	4956/5	4036950		1.00	BATTERIEKLEMME -	COSSE POUR BATTERIE -	BATTERY CLAMP -
105a	4956/101	4065840			POLABDECKUNG	COUVERCLE DU POLE	POLE COVER
106	4302/009	4087650		2.00	SICHERUNGSHALTER	PORTE-FUSIBLE	FUSE HOLDER
106a	1852/85	4052060		4.00	GEW-FORMENDE SCHRAUBE M 5X10	VIS AUTOFILETAGE M 5X10	SELF-THREAD-FORM.SCREW M 5X10
107	4301/124	4054540		1.00	SICHERUNGSSTREIFEN 25 A	LAME FUSIBLE 25 A	FUSE STRIP 25 A
108	4301/149	4089180		1.00	SICHERUNGSSTREIFEN 40 A	LAME FUSIBLE 40 A	FUSE STRIP 40 A
109	4956/4	4036960		1.00	BATTERIEKLEMME +	COSSE POUR BATTERIE +	BATTERY CLAMP +
109a	4956/101	4065840			POLABDECKUNG	COUVERCLE DU POLE	POLE COVER
110	4080/098	4093040		1.00	VIELFACH-STECKKUPPLUNG 9-POL.	FICHE MULTIPLE 9-POLES, FEM.	9-POLE PLUG, FEMALE
110a	4074/102	4067070			BUCHSE	COSSE FEMELLE	SOCKET INSERT
111	4080/092	4067190		1.00	VIELFACH-STECKKUPPLUNG 3-POL.	FICHE MULTIPLE 3-POLES, FEM.	3-POLE PLUG, FEMALE
111a	4074/102	4067070			BUCHSE	COSSE FEMELLE	SOCKET INSERT
112	4962/163	4077890		1.00	STECKERGEHAEUSE	BATI DE FICHE	PLUG HOUSING
112a	4962/199	4077880			STECKERZUNGE	LANGUETTE DE FICHE	PLUG TONGUE
113	4900/007	4093900		1.00	UEBERSPANNUNGS-SCHUTZELEMEN T	PARASURTENSION	OVERVOLTAGE-SUPPRESSOR
114	4905/014	4080370		2.00	DIODE 1.1V/3A	DIODE 1,1V/3A	DIODE 1,1V/3A
115	4586/100	4031270		1.00	RELAIS 24V	RELAIS 24V	RELAY 24V
115a	1852/84	4083750		2.00	GEW-FORMENDE SCHRAUBE M 5X8	VIS AUTOFILETAGE M 5X8	SELF-THREAD-FORM.SCREW M 5X8
116	4586/108	4080250		1.00	RELAIS 24V	RELAIS 24V	RELAY 24V
116a	1851/11	4022320		2.00	GEW-FORMENDE SCHRAUBE M 4X8	VIS AUTOFILETAGE M 4X8	SELF-THREAD-FORM.SCREW M 4X8
117	4586/107	4076160		1.00	RELAISOCKEL	CONSOLE A RELAIS	RELAY CONSOL
117a	1852/84	4083750		1.00	GEW-FORMENDE SCHRAUBE M 5X8	VIS AUTOFILETAGE M 5X8	SELF-THREAD-FORM.SCREW M 5X8
118	4586/104	4027100		1.00	RELAIS 24V	RELAIS 24V	RELAY 24V
119	4080/025	4067040		1.00	VIELFACH-STECKKUPPLUNG 2-POL.	FICHE MULTIPLE 2-POLES, FEM.	2-POLE PLUG, FEMALE
119a	4074/10	4067060			BUCHSE	COSSE FEMELLE	SOCKET INSERT



<b>Erklärungen</b>	<b>Explications</b>	<b>Explanations</b>
<b>h</b> Betriebsstundenzähler	Compteur horaire	Working hour meter
<b>MV</b> Magnetventil	Soupape magnetique	Magnetic valve
<b>SM</b> Saugmotor	Turbine	Vacuum motor
<b>RP</b> Relaisplatte	Plaque de fixation de relais	Relay base plate

Typ <b>CO 600</b>		<b>Elektroschema</b>	<b>Schéma électrique</b>	<b>Electrical diagram</b>
	Pos.	Bezeichnung	Designation	Description
<b>LAP</b>	01/101	Lampe BATTERIEUEBERWACHUNG	Lampe-temoin CONTROL D.BATTERIE	Pilot lamp BATTERY
<b>LHS</b>	01/101	Lampe SCHLUESSELSCHALTER	Lampe-temoin INTERRUPT.A.CLE	Signal lamp KEY SWITCH
<b>SMV</b>	01/103	Wippschalter VENTIL	Interrupteur SOUPAPE	Rocking switch VALVE
<b>LMV</b>	01/103	Lampe VENTIL	Lampe SOUPAPE	Lamp VALVE
<b>SSM</b>	01/104	Wippschalter SAUGMOTOR	Interrupteur à bascule TURBINE	Rocking switch VACUUM MOTOR
<b>LSM</b>	01/104	Lampe SAUGMOTOR	Lampe TURBINE	Lamp VACUUM MOTOR
<b>SHS</b>	01/105	Schlüsselschalter	Interrupteur à clé amovible	Key switch
<b>AP</b>	01/121	Abschaltpint	Circuit imprim./min.de tension	Switch-OFF Print
<b>SBM</b>	01/124	Schalter BUERSTENMOTOR	Interrupteur ENTRAINEM.DE BROSSSE	Switch BRUSH DRIVE
<b>SM</b>	06/103	Motorturbine	Turbine	Vacuum motor
<b>BM</b>	09/101	Bürstenmotor	Moteur de brosse	Brush motor
<b>MV</b>	10/107	Magnetventil	Soupape magnétique	Magnetic valve
<b>LS</b>	11/108	Ladestecker	Fiche de charge	Connector
<b>SLS</b>	11/109	Endschalter LADESTCKER	Microrupteur FICHE DE CHARGE	Switch CHARGER PLUG
<b>h</b>	11/110	Betriebsstundenzähler	Compteur horaire	Working hour meter
<b>h</b>	12/118	Betriebsstundenzähler	Compteur horaire	Working hour meter
<b>(BMS) LG</b>	12/101	Ladegerät	Chargeur	Charger
<b>F 2</b>	15/107	Sicherungsstreifen 25 A	Lame-fusible 25 A	Fuse strip 25 A
<b>F 1</b>	15/108	Sicherungsstreifen 40 A	Lame-fusible 40 A	Fuse strip 40 A
<b>-</b>	15/113	Ueberspannungs-Schutzelement	Parasurtenion	Over voltage suppressor
<b>KBM</b>	15/115	Relais BUERSTENMOTOR	Relais MOTEUR DE BROSSSE	Relay BRUSH MOTOR
<b>KSM</b>	15/116	Relais SAUGMOTOR	Relais TURBINE	Relay VACUUM MOTOR
<b>KHS</b>	15/118	Relais SCHLUESSELSCHALTER	Relais INTERRUPT.A CLE AMOVIBLE	Relay KEY SWITCH
		<b><u>Elektroausrüstung</u></b>	<b><u>Assemblage électrique</u></b>	<b><u>Electrical equipment</u></b>
		(siehe Gruppe 15)	(voir groupe 15)	(see group 15)
4215/116	KABELBINDER 85 MM	BANDE A LIER LES CABLES 85 MM	CABLE TIE 85 MM	
4034/124	STECKHUELSE 6,3-6	COSSE FEMELLE PLAT 6,3-6	FEMALE PLATE CLIP 6,3-6	
9014/10	LITZE 1 MM2 ROT	CABLE 1 MM2 ROUGE	CABLE 1 MM2 RED	
9015/108	LITZE 1,5 MM2 SCHWARZ	CABLE 1,5 MM2 NOIR	CABLE 1,5 MM2 BLACK	
9014/102	LITZE 2,5 MM2 ROT	CABLE 2,5 MM2 ROUGE	CABLE 2,5 MM2 RED	
9011/60	LITZE 6 MM2 BLAU	CABLE 6 MM2 BLEU	CABLE 6 MM2 BLUE	



