

CR 1100/1200/1400

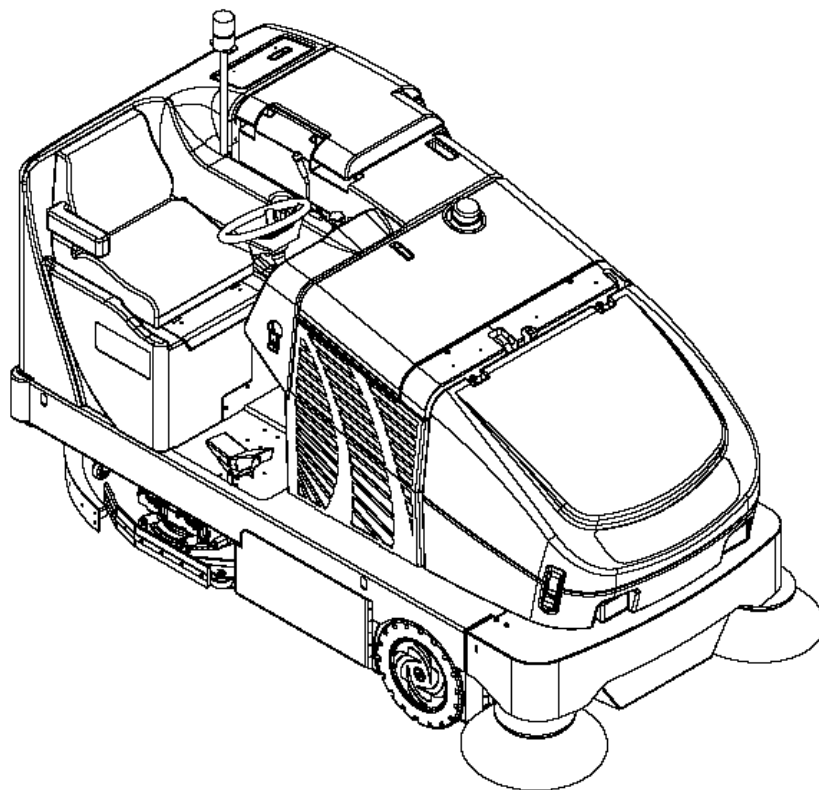
Model:

CR 1100 D/P/LPG

CR 1200 D/P/LPG

CR 1400 B

CR 1400 D/P/LPG



Liste de pièces Français

16-02-2015

Table des matières

CR 1100/1200/1400

Optional kits and accessories - Main Parts	3
Chassis system - Main Parts	5
Chassis system sub-assemblies-1 - Main Parts	8
Chassis system sub-assemblies-2-CR - Main Parts	10
Control system - Main Parts	12
Control system sub-assemblies - Main Parts	14
Decal system - Main Parts	17
Detergent injection system - control box assy - Ma	19
Detergent injection system - pump assy - Main Part	22
Drive wheel system - Main Parts	24
Dust control system - Main Parts	26
Electrical system - Main Parts	28
Front wheel system - Main Parts	30
Hopper system - Main Parts	32
Hopper system sub-assemblies - Main Parts	35
Main broom system - Main Parts	37
Main broom system sub-assemblies - Main Parts	39
Recovery system - Main Parts	41
Recovery tank assembly (CR 1100" Models) - Main Pa	43
Recovery tank assembly (CR 1200 and 1400 Models) -	45
Scrub system (CR 1100 and 1200 Models) - Main Part	47
Scrub system (CR 1400 Models) - Main Parts	50
Scrub system skirt assemblies - Main Parts	53
Side broom system - Main Parts	55
Side broom system sub-assemblies - Main Parts	57
Solution system (CR 1100 Models) - Main Parts	59
Solution system (CR 1200 and 1400 Models) - Main P	62
Solution system sub-assemblies - Main Parts	65
Squeegee system - Main Parts	67
Squeegee system - Main Parts	69
Squeegee assembly - Main Parts	71
Wiring diagram-1 (Gasoline/Petrol / LPG-56304XXX m	73
Wiring diagarm-2 (Gasoline/Petrol / LPG-56304XXX m	75
Wiring diagram-1 (Gasoline/Petrol / LPG-56306XXX m	78
Wiring diagram-2 (Gasoline/Petrol / LPG-56306XXX m	80
Wiring diagram-1 (Diesel) - Main Parts	83
Wiring diagram-2 (Diesel) - Main Parts	85
Beacon kit (standard on CR 1200 and 1400 Models) -	88
Beacon kit (standard on CR 1100 Models) - Main Par	90

Table des matières

CR 1100/1200/1400

Backup alarm kit - Main Parts	92
Broom selector guide 1 - Main Parts	94
Brush selector guide - Main Parts	96
Diesel Engine System - Engine System until 2007	98
Diesel Engine Assembly - Engine System until 2007	100
Diesel Actuator Assembly - Engine System until 200	103
Diesel Fuel Assembly - Engine System until 2007	105
Gasoline/Petrol Engine System - Engine System until 2007	107
Gasoline/Petrol Engine Assembly - Engine System until 2007	109
Gasoline/Petrol Fuel Assembly - Engine System until 2007	112
LPG Engine System - Engine System until 2007	114
LPG Engine Assembly - Engine System until 2007	116
LPG Filter Assembly - Engine System until 2007	119
Air Filter Assembly - Engine System until 2007	121
Control & Circuit Breaker Panel Assemblies - Engine System until 2007	123
Exhaust System (All models & gasoline/petrol before SN17582)	125
Exhaust System (Gasoline/Petrol only after SN17582)	127
Radiator Assembly (Before SN1780553) - Engine System until 2007	129
Radiator Assembly (After SN1780552) - Engine System until 2007	131
Diesel Engine System - CR 1200/1400 - Engine from 2007	134
Diesel Engine Assembly - CR 1200/1400 - Engine from 2007	136
Diesel Actuator Assembly - CR 1200/1400 - Engine from 2007	139
Diesel Fuel Assembly - CR 1200/1400 - Engine from 2007	141
Gasoline/Petrol Engine System - CR 1200/1400 - Engine from 2007	143
Gasoline/Petrol Engine Assembly - CR 1200/1400 - Engine from 2007	145
Gasoline/Petrol Fuel Assembly - CR 1200/1400 - Engine from 2007	149
LPG Engine System - CR 1200/1400 - Engine from 2007	151
LPG Engine Assembly - CR 1200/1400 - Engine from 2007	153
LPG Engine Assembly - CR 1200/1400 - Engine from 2007	157
LPG Filter Assembly - CR 1200/1400 - Engine from 2007	161
Air Filter Assembly - CR 1200/1400 - Engine from 2007	163
Control and Circuit Breaker Panel Assemblies - CR 1200/1400	165
Exhaust Assembly - Diesel - CR 1200/1400 - Engine from 2007	167
Exhaust Assembly - Gasoline-Petrol and LPG - CR 1200/1400	169
Radiator Assembly - CR 1200/1400 - Engine from 2007	171
Radiator assembly (high temp) - Engine from 2007	174
Cooler kit (high temp) - Engine from 2007	176
GM 1.6L REPLACEMENT PARTS - PSI	178
Hydraulic schematic - CR 1100 before SN 1873835 -	180

Table des matières

CR 1100/1200/1400

Hydraulic schematic - CR 1100 after SN 1873835 - H	183
Hydraulic schematic - CR 1200 before SN 1873835 -	186
Hydraulic schematic - CR 1200 after SN 1873835 - H	189
Hydraulic schematic - CR 1100/1200/1400 before SN	192
Hydraulic schematic - CR 1400 after SN 1873835 - H	195
Hydraulic cylinder assemblies - Hydraulic System	198
Hydraulic cylinder assemblies - Hydraulic System	200
Hydraulic motor assemblies - Broom-wheel/drive - H	202
Hydraulic motor assemblies - Broom-wheel/drive - H	204
Hydraulic motor assemblies - impeller/fans - Hydr	206
Hydraulic motor assemblies - impeller/fans - Hydr	208
Hydraulic motor assemblies - Scrub - CR 1100 - Hyd	210
Hydraulic motor assemblies - Scrub - CR 1100 - Hyd	212
Hydraulic motor assemblies - Scrub - CR 1200 - Hyd	214
Hydraulic motor assemblies - Scrub - CR 1200 - Hyd	216
Hydraulic motor assemblies - Scrub - CR 1400 - Hyd	218
Hydraulic motor assemblies - Scrub - CR 1400 - Hyd	220
Hydraulic pump assemblies - Hydraulic System	222
Hydraulic pump assemblies - Hydraulic System	224
Hydraulic reservoir assembly - Hydraulic System	226
Hydraulic reservoir assembly - Hydraulic System	228
Oil cooler/filter assemblies - Hydraulic System	230
Oil cooler/filter assemblies - Hydraulic System	232
Valve block assemblies - Hydraulic System	234
Oil cooler/filter assemblies - Hydraulic System	236
Valve block assemblies - Hydraulic System	238
Valve block assemblies - Hydraulic System	240
List of Kits - Accessories	243
Back-up alarm kit - Accessories	245
Beacon Kit - Accessories	247
Beacon Kit (60 Gallon) - Accessories	249
Broom Guard kit - Accessories	251
Cleanout Kit - Accessories	253
Curb Light Kit - Accessories	255
Fire Extinguisher kit (Engine models) - Accessories	257
Fire extinguisher kit (Battery models) - Accessorie	259
High Durability Rear Wheel - Accessories	261
Hopper Filter Kit - Accessories	263
Temperature Switch Kit - Accessories	265

Table des matières

CR 1100/1200/1400

Overhead Guard kit - Accessories	267
Pre-Filter Grid kit - Accessories	269
Recovery inlet seal kit - Accessories	271
Seat kit, Engine models - Accessories	273
Seat belt kit - Accessories	275
Solution Fill Shutoff Kit (OBSOLETE) - Accessories	277
Solution Fill Shutoff Kit - Accessories	279
Solution Fill Shutoff Kit (60 Gallon) - Accessorie	281
Tower Bumper kit - Accessories	283
Under-Hood Light Kit, Engine models- Accessories	285
Vacuum Wand Kit - Accessories	287
Chemical injection kit-12VDC (control box assy) -	289
Chemical injection kit-12VDC (pump assy) - Accesso	292
Chemical injection kit-36VDC (control box assy) -	294
Chemical injection kit-36VDC (pump assy) - Accesso	297
56305509 - Temperature Switch Kit	299
56305519 - Back-up Alarm Kit	301
56305517 - Hopper Filter Switch Kit	303
56305482 - Beacon Kit 48" and 54" models	305
56305881 - Beacon Kit 43" models	307
56305585 - Solution Fill Shutoff Kit	309
56305493 - Tower Bumper Kit	311
56305621 - Fire Extinguisher Kit	313
56305628 - Underhood Light Kit	315
56305530 - Vacuum Wand Kit for CR 1200, 1400	317
56305530 - Vacuum Wand Kit for CR 1100	319
56305530 - Vacuum Wand Kit for CR 1200, 1400	321
56305530 - Vacuum Wand Kit for CR 1100	323
56305530 - Vacuum Wand Kit	325
56305530 - Vacuum Wand Kit	327
56305637 / 56303873 - Overhead Guard Kits	329
56305641 - Curb Light Kit	331
56305643 - Rearview Camera Kit	333
56305643 - Rearview Camera Kit	335
56305643 - Rearview Camera Kit	337
56305643 - Rearview Camera Kit	339
56305494 - Left Side / 56305495 - Right Side Broom	341
56305611 - W/O Switch / 56303381 - De Luxe Kit wit	343
56305794 - Pre-filter Grid Kit	345

Table des matières

CR 1100/1200/1400

56305840 - Tailpipe Hanger Kit	347
56305894 - Tailpipe Hanger Kit	349
56305820 - Solution Fill Shutoff Kit for CR 1100	351
56305896 - Solution Fill Shutoff Kit for CR 1200,	353
56303554 - Key Switch Kit	355
56305978 - Liquid Level Switch	357
56303572 - Cleanout Kit	359
56303579 - OH Guard Beacon Kit	361
56307221 - Recovery Inlet Seal Kit	363
56109306 - Seat Belt Kit	365
56508773 Shaker Motor Kit	367
56306138 - Chemical Injection Kit 12VDC (engine)	369
56306138 - Chemical Injection Kit 12VDC (engine)	371
56306138 - Chemical Injection Kit 12VDC (engine)	373
56306138 - Chemical Injection Kit 12VDC (engine)	375
56508926 - Encoder Guide Kit for CR 1200, 1400	377

Optional kits and accessories - Main Parts

16-02-2015

ID Liste de pièces
E14311

CR 1100/1200/1400

3

OPTIONAL KITS AND ACCESSORIES

Item	Ref. No.	Qty	Description
**	56305509	1	Temperature Switch Kit
**	56305519	1	Backup Alarm Kit (Standard on all Nil sk models)
**	56305517	1	Hopper Filter Switch Kit
**	56305482	1	Beacon Kit (Standard on CR 1200 & CR 1400 Nil sk models)
**	56305881	1	Beacon Kit (Standard on CR 1100 Nil sk models)
**	56305896	1	Solution Fill Shutoff Kit (CR 1200 & CR 1400 Models)
**	56305820	1	Solution Fill Shutoff Kit (CR 1100 Models)
**	56305493	1	Tower Bumper Kit
**	56305621	1	Fire Extinguisher Kit
**	56305628	1	Underhood Light Kit
**	56305530	1	Vacuum Wand Kit
**	56305637	1	Low Clearance Overhead Guard Kit
**	56303573	1	Overhead Guard Kit
**	56303579	1	Overhead Guard Beacon Kit
**	56305641	1	Curb Light Kit
**	56305643	1	Rearview Camera Kit
**	56305494	1	Left Side Broom Guard Kit
**	56305495	1	Right Side Broom Guard Kit
**	56305652	1	Both Side Broom Guard Kit
**	56305611	1	Seat Kit
**	56305794	1	Pre-Filter Grid Kit
**	56307221	1	Recovery Inlet Seal Kit
**	56303572	1	Solution Cleanout Kit
**	56109306	1	Seat Belt Kit (For use on Seat 7-69-00008)
**	56419369	1	Seat Belt Kit (For use on Seat 56305296)
**	56305647	1	Controller Interface Kit
**	56504528	1	Cable-Eng-Diagn-Gen2/3to1 (for use with 56305647)
**	56504516	1	Kit-Hydraulic Test
**	56306138	1	Kit, Chemical Injection 12V
**	56044401	A/R	Literature Pack
			43" (CR 1100) Squeegee Blade Kits NOTE #1
**	56305695	1	Blade Kit, Squeegee Linatex 43 / CR 1100
**	56305693	1	Blade Kit, Squeegee Neoprene 43 / CR 1100
**	56307180	1	Blade Kit, Squeegee Polyurethane 43 / CR 1100
			48" (CR 1200) Squeegee Blade Kits NOTE #1
**	56305686	1	Blade Kit, Squeegee Linatex 48 / CR 1200
**	56305682	1	Blade Kit, Squeegee Neoprene 48 / CR 1200
**	56307183	1	Blade Kit, Squeegee Polyurethane 48 / CR 1200
			54" (CR 1400) Squeegee Blade Kits NOTE #1
**	56305696	1	Blade Kit, Squeegee Linatex 54 / CR 1400
**	56305694	1	Blade Kit, Squeegee Neoprene 54 / CR 1400
**	56307186	1	Blade Kit, Squeegee Polyurethane 54 / CR 1400
			Side Blade Kits (All Models) NOTE #2
**	56305697	1	Side Blade Kit
**	56305685	1	Neoprene Side Blade Kit

** = Optional (not included)

NOTE #1: All squeegee blade kits include both front and rear squeegee blades.

NOTE #2: Side Blade Kits contain ALL skirts needed for BOTH side skirt assemblies.

Optional Kits: See Parts List 56042508 for an individual parts break down of each kit

Optional kits and accessories - Main Parts

CR 1100/1200/1400

16-02-2015

ID Liste de pièces
E14311

4

Pos	Réf. Pièce	Qté	Description	
1	56305509	1	KIT SWICTH DE TEMPERATURE	OPTIONAL
2	56305519	1	AVERTISSEUR SONORE REcul	OPTIONAL
3	56305517	1	KIT SWICHT DE TREMIE	OPTIONAL
4	56305482	1	GYROPHARE	STANDARD ON CR 1200 & CR 1400 - OPTIONAL
5	56305881	1	KIT GYROPHARE + SUPPORT	STANDARD ON CR 1100 - OPTIONAL
6	56305896	1	KIT ARRET AUTO REMPLIS. RESERVOIR SOLUTI	CR 1200 & CR 1400 MODELS - OPTIONAL
7	56305820	1	SOLUTION FILL SHUTOFF KIT 60	CR 1100 MODELS - OPTIONAL
8	56305493	1	KIT AMORTISSEUR	OPTIONAL
9	56305621	1	KIT EXTINGCTEUR	OPTIONAL
10	56305628	1	KIT LAMPE	OPTIONAL
11	56305530	1	KIT ASPIRATION A DISTANCE	OPTIONAL
12	56305637	1	PROTEGE TETE	OPTIONAL
13	56303573	1	OVERHEAD GUARD KIT	OPTIONAL
14	56303579	1	OH GUARD BEACON KIT	OPTIONAL
15	56305641	1	KIT LAMPE	OPTIONAL
17	56305494	1	PROTECTION LAT GAUCHE	OPTIONAL
18	56305495	1	PROTECTION D BROSSE LAT	OPTIONAL
19	56305652	1	PROTECTION D/G BROSSE LAT	OPTIONAL
20	56305611	1	SIEGE DE LUXE	OPTIONAL
21	56305794	1	PRE-FILTER GRID KIT	OPTIONAL
22	56307221	1	KIT JOINT+MOUSSE	OPTIONAL
23	56303572	1	KIT DE VIDANGE CR 1200/14	OPTIONAL
24	56109306	1	CEINTURE DE SECURITE	FOR USE ON SEAT 7-69-00008 - OPTIONAL
25	56419369	1	SEAT BELT KIT	FOR USE ON SEAT 56305296 - OPTIONAL
26	56305647	1	CONTROLEUR DIAGNOSTIQUE	OPTIONAL
27	56504528	1	CABLE-ENG-DIAG-GEN 2/3 TO 1	
28	56504516	1	MANOMETRE DE PRESSION	
29	56306138	1	KIT EDS	OPTIONAL
30	56044401	1	LITERATURE PACK	OPTIONAL
40	56305695	1	KIT LAM LINATEX CR1100	OPTIONAL
41	56305693	1	KIT LAM NEOPRENE CR 1100	OPTIONAL
42	56307180	1	POLYURET SQUEEGEE BLADE 43 KIT	OPTIONAL
43	56305686	1	KIT LAM LINATEX CR 1200	OPTIONAL
44	56305682	1	KIT LAM NEOPRENE CR 1200	OPTIONAL
45	56307183	1	POLYURET SQUEEGEE BLADE 48 KIT	OPTIONAL
46	56305696	1	KIT LAM LINATEX CR1400	OPTIONAL
47	56305694	1	KIT LAM NEOPRENE CR1400	OPTIONAL
48	56307186	1	POLYURET SQUEEGEE BLADE 54 KIT	OPTIONAL
49	56305697	1	KIT LAMELLE LINATEX PORTE	OPTIONAL
50	56305685	1	LAMELLES LATT NEOPRENE	OPTIONAL

NOTE 1: All squeegee blade kits include both front and rear squeegee blades.

NOTE 2: Side Blade Kits contain ALL skirts needed for BOTH side skirt assemblies.

Optional Kits: See Parts List 56042449 for an individual parts break down of each kit

Pos. 40-42 - 43" (CR 1100) Squeegee Blade Kits NOTE #1

Pos. 43-45 - 48" (CR 1200) Squeegee Blade Kits NOTE #1

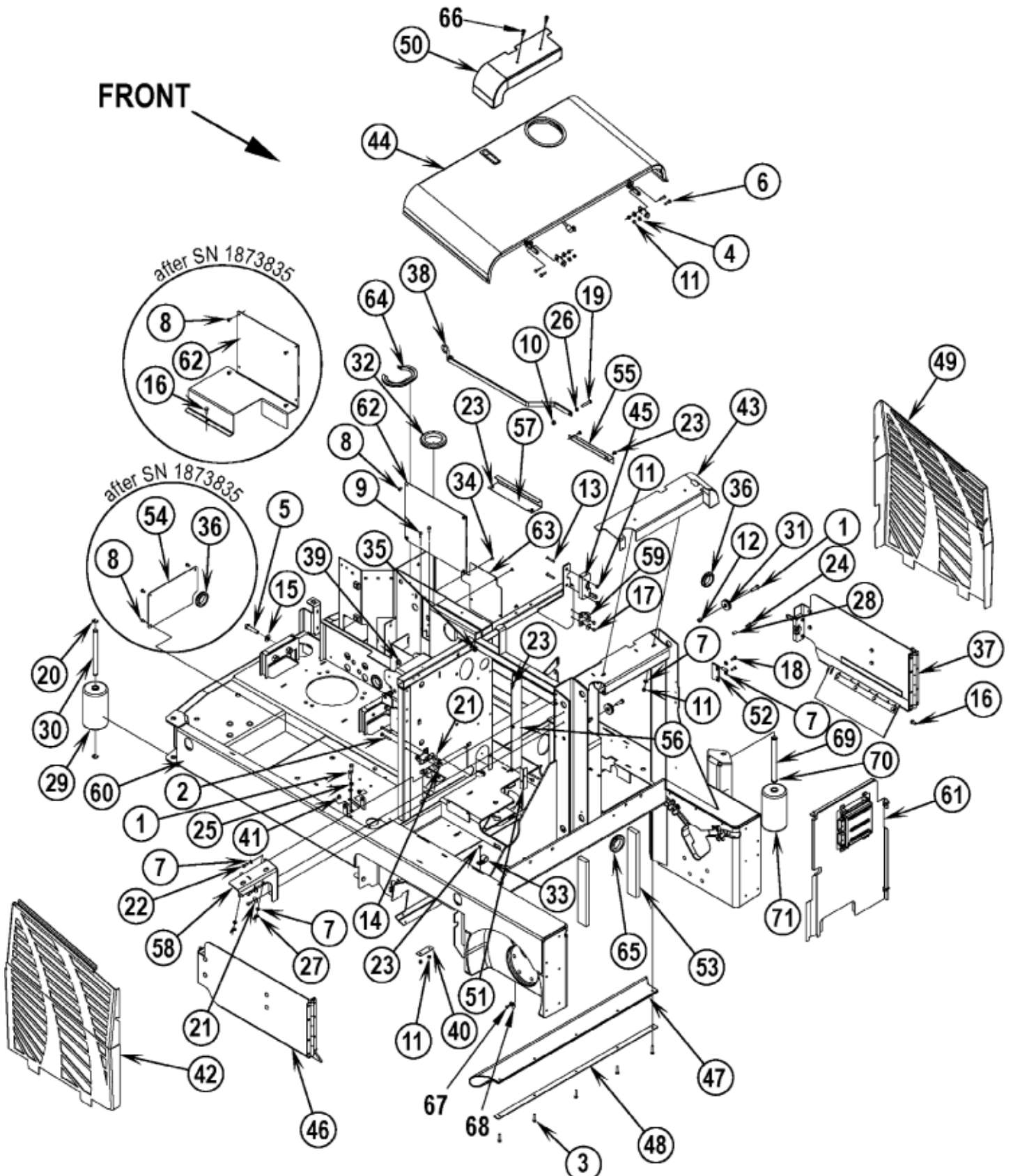
Chassis system - Main Parts

CR 1100/1200/1400

16-02-2015

ID Liste de pièces
E14313

5



NOTE: Skirts for 43 & 48 inch models shown here, see sub-assemblies for 54 inch skirts.

Chassis system - Main Parts

CR 1100/1200/1400

16-02-2015

ID Liste de pièces
E14313

6

Pos	Réf. Pièce	Qté	Description	
1	56001858	4	VIS HEX 3/8 16 X 1.25	
2	56001874	2	SCR HEX 1/4-20 X 2.00	
3	56001878	5	VIS 1/4 20 X1 25 P	
4	56001906	4	WSH FLT STD 1/4	
5	56001920	2	BOULON 1/2 13X2.25	
6	56002093	4	VIS 6 PANS 1/4 20X1 00	
7	56002098	7	LAQUE DE SUPPORT 1/4	
8	56002145	9	VIS 1/4 20 X 0 38	QTY 10 BEFORE SN 1873835
9	56002155	2	VIS 1/4 20X.75	
10	56002701	1	VIS 5/16 18 X 62	
11	56002708	10	LIQUET D ARRÊT 1/4 20	
12	56002769	2	ECROU 3/8SME X 16	
13	56002786	2	VIS TETE PL PHIL 1/4 20X1	
14	56002840	2	VIS 1/4 20	
15	56002918	2	RONDELLE 1/2 SAE INOX	
16	56002929	7	VIS SCR HEX HD LOC 5/16 1	QTY 6 BEFORE SN 1873835
17	56002933	2	VIS DE FIXATION 1/4	
18	56002948	2	VIS HEX HP LOC 1/4 20 X 0.75	
19	56003005	1	VIS 6 PANS 5/16 18X1 75	
20	56003266	4	ANNEAU RET EXT TYPE E	
21	56009002	6	RONDELLE PL ZINC	
22	56009018	3	VIS SANS TETE 1/4 20	
23	56009019	8	VIS 1/4 20 X 0 38	
24	56009038	2	SCRHEX THD FORM 10-24 X .88	
25	56009085	2	ECROU JAM 3/8 16	
26	56009086	1	ECROU 5/16 18	
27	56009111	2	ECROU PAPILLON 1/4-20	
28	56200239	2	BUSHING .20X.37X.62HR2B	
29	56409335	2	PARE CHOCS TENDEUR	
30	56409336	2	AXE	
31	56416546	2	POULIE	
32	56305970	1	GROMMET	
33	56496276	1	SUPPORT SERRE CABLE	
34	56003603	4	VIS PHILTHDFORM 1/4 20X.38	
35	56052339	1	GROMMET E00059	
36	56056215	3	GROMMET E00059	
37	56303143	1	PORTE LATERALE GAUCHE	CR 1100 & CR 1200 MODELS
37	56305735	1	54 LEFT BROOM DOOR ASSEMBLY	CR 1400 MODELS
38	56304473	1	PROP ROD LINKAGE WELDMENT	
39	56304519	3	ROULEMENT FL 0.625 X 0.500 X0.375	
40	56304543	1	CATCH BRAKE LOCK	
41	56304554	2	ENTRETOISE .500X.375X.313	

NOTE 1: Refer to model numbers on the front cover.

NOTE 2: These items are only used on the HT (High Temp) models 56307236, 56307238, 56307237 & 56307239

Chassis system - Main Parts

CR 1100/1200/1400

16-02-2015

ID Liste de pièces
E14313

7

Pos	Réf. Pièce	Qté	Description	
42	56305314	1	PANEL RIGHT EUROPEAN DXF	
43	56304692	1	TOP COSMETIC COVER WELDMENT	
44	56304740	1	ENGINE COVER ASSEMBLY	
45	56304827	1	LOQUET DE FERMETURE	
46	56304876	1	PORTE LATERALE DROITE	CR 1100 & CR 1200 MODELS
46	56305734	1	54 RIGHT BROOM DOOR ASSEMBLY	CR 1400 MODELS
47	56304926	1	LAMELLE DE PORTE	
48	56304927	1	STRAP DUMP DOOR SHIELD	
49	56304958	1	PANEL LEFT	
49	56307233	1	HT SIDE DOOR WELDMENT	NOTE 2
50	56304968	1	TOP COVER WELDMENT	
51	56305928	1	ANGLE	
52	56305095	1	FERMETURE	
53	56305197	2	GASKET	
54	56305225	1	COVER ACCESS	BEFORE SN 1873835
54	56306002	1	COVER ACCESS	AFTER SN 1873835
55	56305264	1	HOSE GUIDE	
56	56305265	1	HOSE GUIDE	
57	56305266	1	HOSE GUIDE	
58	56305281	1	WELDMENT COVER MOUNT	
59	56305331	2	WELDMENT PANEL LOCK	
61	56305371	1	PANEL ASSEMBLY	56304XXX MODELS / NOTE 1
61	56306045	1	PANEL ASSEMBLY	56306XXX & 56307XXX MODELS / NOTE 1
62	56305394	1	PANEL ASSEMBLY	
62	56306001	1	PANEL ASSY.	
63	56307168	1	PANEL BROOM LIFT ADJUST	
64	56305679	1	GASKET	
65	56051172	1	GROMMET E00059	
66	56003087	4	VIS SS 1/4-20X .88	
67	56009062	1	VIS TORX 1/4-20 X .50	
68	56323260	1	CLAMP CABLE	
69	56409336	1	AXE	NOTE 2
70	56003266	2	ANNEAU RET EXT TYPE E	NOTE 2
71	56409335	1	PARE CHOCS TENDEUR	NOTE 2

NOTE 1: Refer to model numbers on the front cover.

NOTE 2: These items are only used on the HT (High Temp) models 56307236, 56307238, 56307237 & 56307239

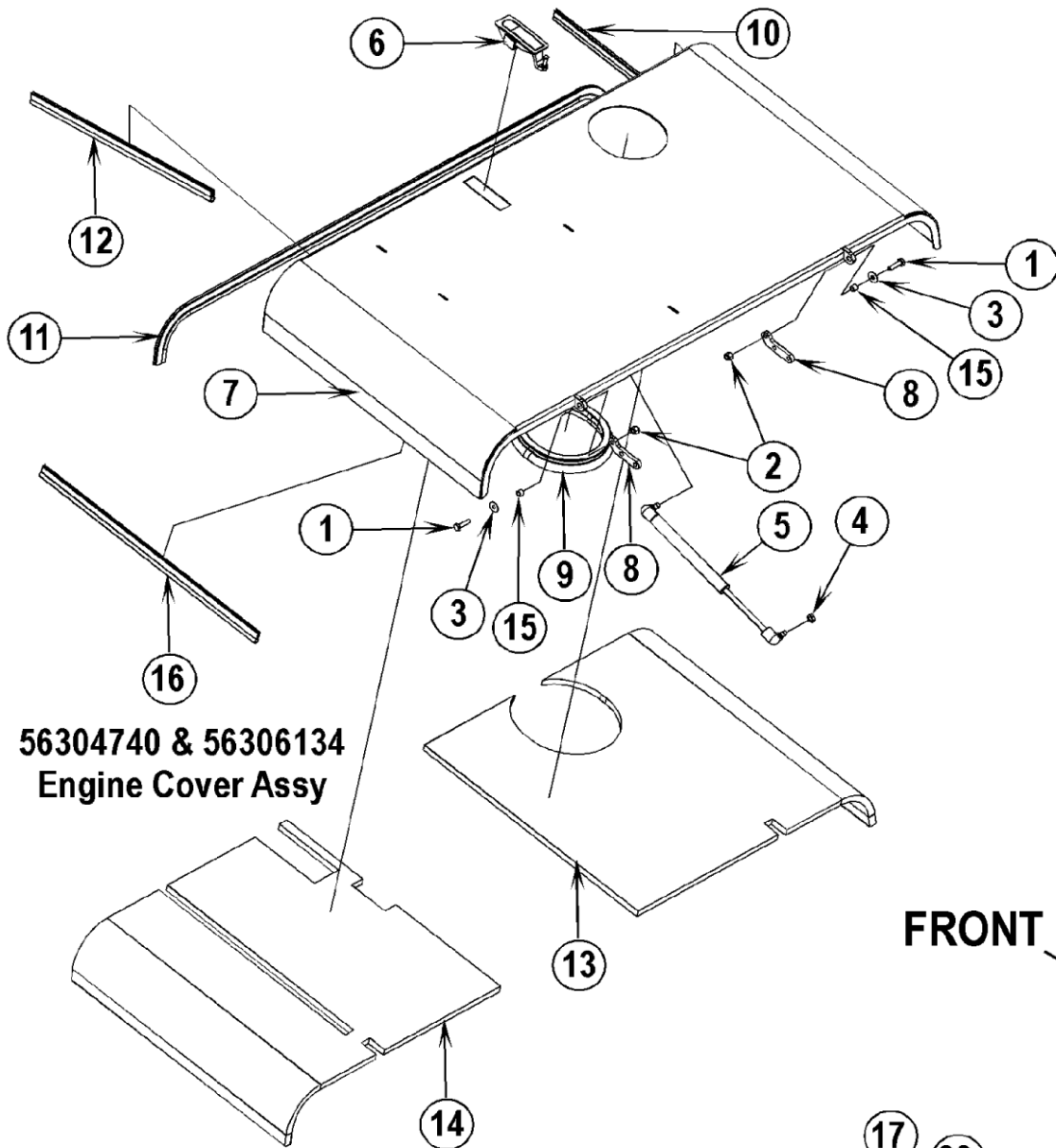
Chassis system sub-assemblies-1 - Main Part

CR 1100/1200/1400

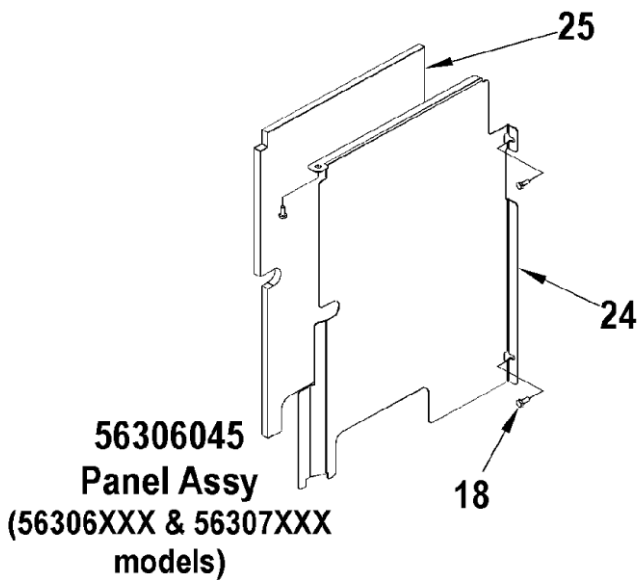
16-02-2015

ID Liste de pièces
E14315

8

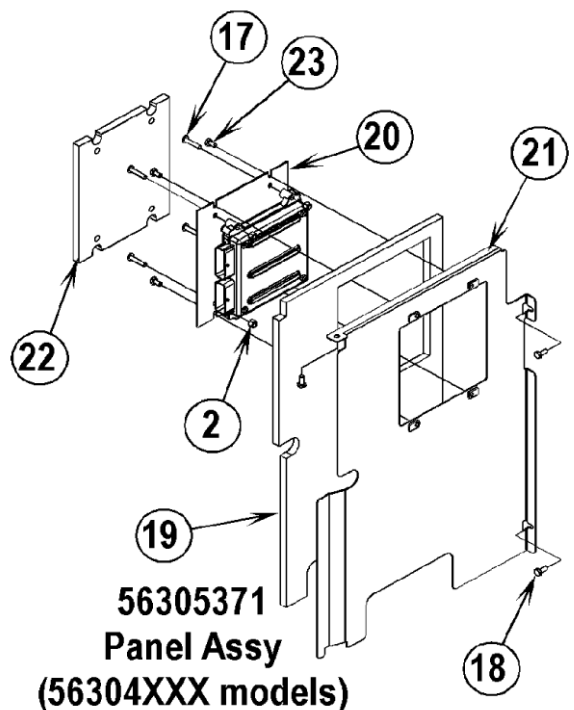


**56304740 & 56306134
Engine Cover Assy**



**56306045
Panel Assy**

(56306XXX & 56307XXX
models)



**56305371
Panel Assy**

(56304XXX models)

Chassis system sub-assemblies-1 - Main Part

CR 1100/1200/1400

16-02-2015

ID Liste de pièces
E14315

9

Pos	Réf. Pièce	Qté	Description	
	56304740	1	ENGINE COVER ASSEMBLY	1-16
	56305371	1	PANEL ASSEMBLY	2 & 17-23) (56304XXX MODELS / NOTE 1
	56306045	1	PANEL ASSEMBLY	18 & 24-25) (56306XXX & 56307XXX MODELS / NOTE 1
1	56002093	2	VIS 6 PANS 1/4 20X1 00	
2	56002708	6	LIQUET D ARRÊT 1/4 20	
3	56002098	2	LAQUE DE SUPPORT 1/4	
4	56009086	2	ECROU 5/16 18	
5	56385238	1	CYLINDRE	
6	56418471	1	SYSTEME D OUVERTURE	
7	56304686	1	COVER ENGINE WELDT	
8	56304690	2	HINGE ENGINE COVER FRONT	
9	56305277	1	GASKET	
10	56305502	1	TRIM-SEAL	
11	56305269	1	TRIM SEAL	
12	56305278	1	TRIM SEAL	
13	56305414	1	FOAM INSULATION	
14	56305415	1	FOAM INSULATION	
15	56330027	2	BUSHING	
16	56305268	1	TRIM SEAL	
17	56002825	4	SCR PAN PHIL 1/4-20 X 1.25	56304XXX MODELS / NOTE 1
18	56002922	3	VIS 6PANS NLOCAGE 1/4 20X0,62	56304XXX MODELS / NOTE 1
19	56305035	1	FOAM INSULATION	56304XXX MODELS / NOTE 1
20	56305380	1	PANNEAU SUPPORT DE CARTE	56304XXX MODELS / NOTE 1
21	56305381	1	PANEL WELDMENT	56304XXX MODELS / NOTE 1
22	56305382	1	FOAM	56304XXX MODELS / NOTE 1
23	56001854	4	VIS 6 PANS 1/4 20X.50	56304XXX MODELS / NOTE 1
24	56306048	1	FRONT PANEL	56306XXX & 56307XXX MODELS / NOTE 1
25	56306049	1	FOAM PANEL	56306XXX & 56307XXX MODELS / NOTE 1

NOTE 1: Refer to model numbers on the front cover.

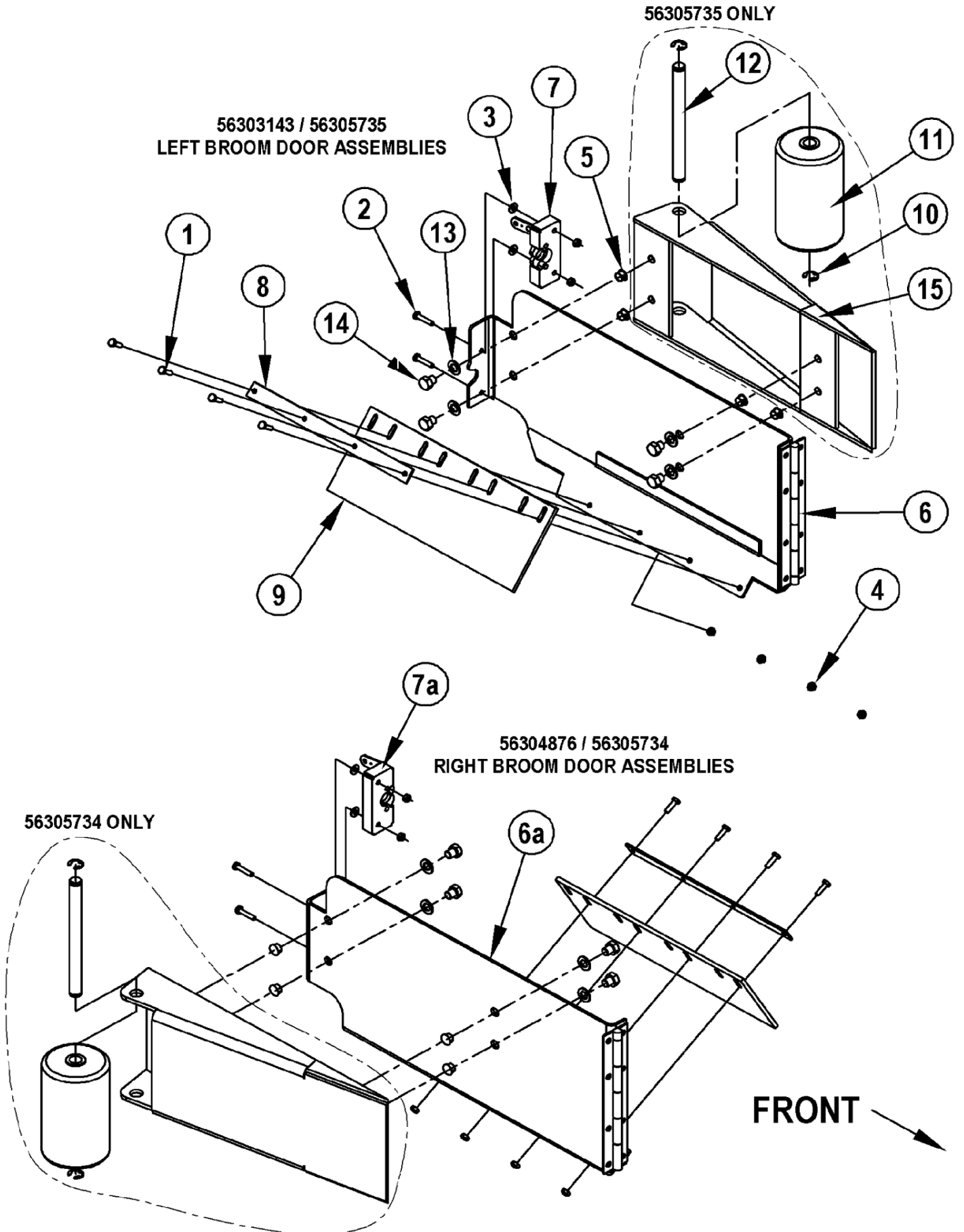
Chassis system sub-assemblies-2-CR - Main Pz

CR 1100/1200/1400

16-02-2015

ID Liste de pièces
E14317

10



Chassis system sub-assemblies-2-CR - Main P

CR 1100/1200/1400

16-02-2015

ID Liste de pièces
E14317

11

Pos	Réf. Pièce	Qté	Description	
0	56303143	1	PORTE LATÉRALE GAUCHE	1-9 - CR 1100 and 1200
0	56304876	1	PORTE LATÉRALE DROITE	1-9 - CR 1100 and 1200
0	56305734	1	54 RIGHT BROOM DOOR ASSEMBLY	1-4 and 6-15 - CR 1400
0	56305735	1	54 LEFT BROOM DOOR ASSEMBLY	1-4 and 6-15 - CR 1400
1	56001821	8	VIS HEX 1/4 20X0.88	
2	56001878	4	VIS 1/4 20 X1 25 P	
3	56002098	4	LAQUE DE SUPPORT 1/4	
4	56002840	12	VIS 1/4 20	
5	56418888	4	PLUG BUTTON	
6	56303150	1	TRAPPE LATÉRALE GAUCHE NUE	
7	56304826	1	FERMETURE DE PORTE	
8	56304881	2	BARRE DE MAINTIEN LAMELLE LATÉRALE	
9	56304882	2	BANDEAU DE PORTE	
10	56003266	4	ANNEAU RET EXT TYPE E	
11	56409335	2	PARE CHOCS TENDEUR	
12	56409336	2	AXE	
13	56009003	4	RONDELLE	qty of 4 before May 2004
14	56305733	4	SCR HEX HD 1/2 20 UNF X .50	qty of 4 before May 2004
15	56305860	2	ANGLE CORNER PAINTED	before May 2004 - NOTE 2
15	56305938	2	ROLLER WELDMENT	after April 2004 - NOTE 2
6A	56304877	1	TRAPPE LATÉRALE DROITE NUE	
7A	56304827	1	LOQUET DE FERMETURE	

NOTE 1: Quantities are for both broom door assemblies.

NOTE 2: Roller Weldment 56305938 can be installed on machines built prior to this date. Use the Roller Weldment as a template to mark & drill the two additional mounting holes in the broom door. However, the original mount 56305860 is still available

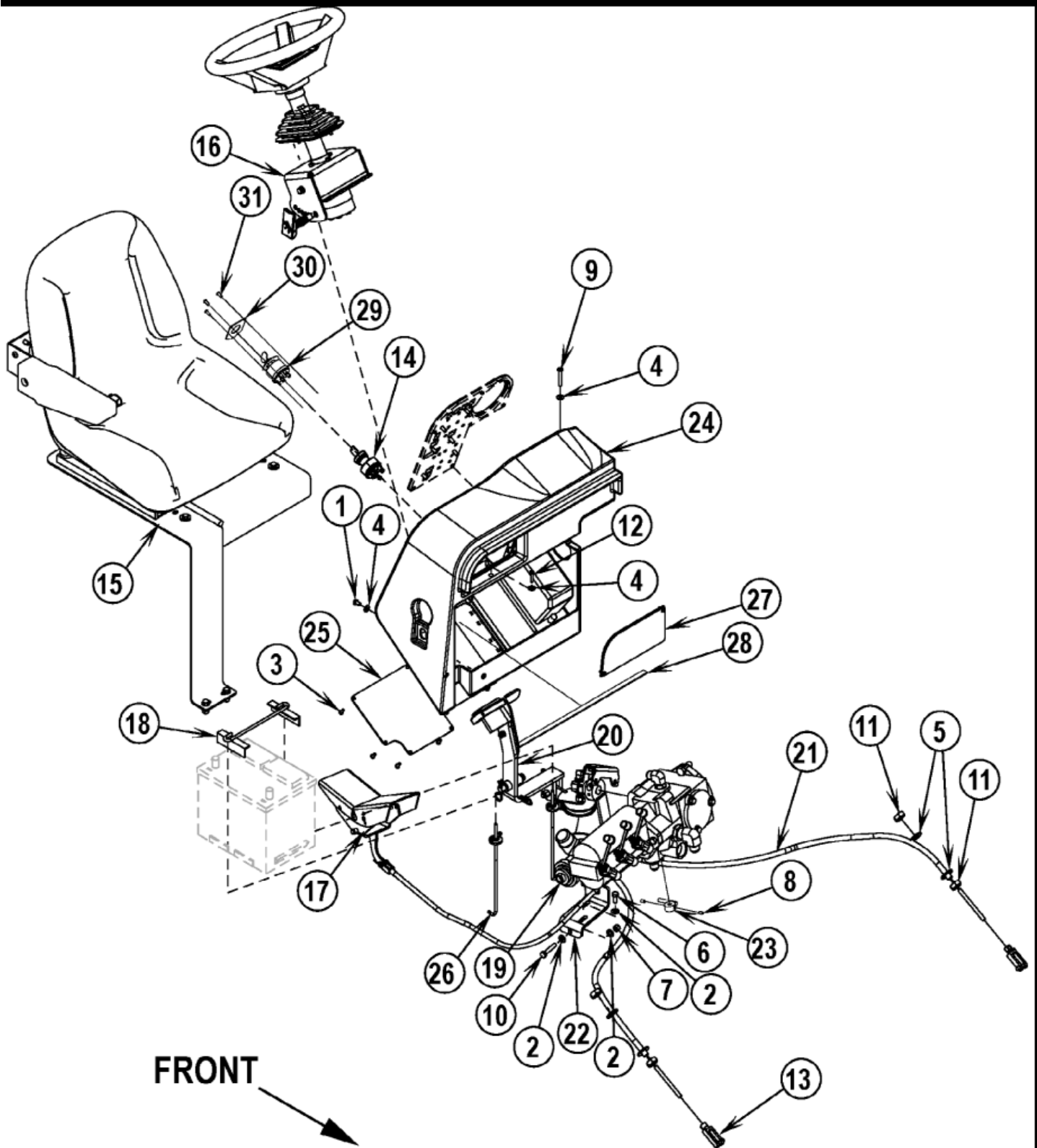
Control system - Main Parts

CR 1100/1200/1400

16-02-2015

ID Liste de pièces
E14319

12



Control system - Main Parts

CR 1100/1200/1400

16-02-2015

ID Liste de pièces
E14319

13

Pos	Réf. Pièce	Qté	Description	
1	56001854	1	VIS 6 PANS 1/4 20X.50	
2	56001939	4	RONDELLE PLATE SAE 5/16	
3	56001993	5	VIS TETE PL PHIL 10 24X 5	
4	56002098	3	LAQUE DE SUPPORT 1/4	
5	56002319	4	WSH FLT SAE 9/16	
6	56002667	2	VIS 6 PANS 5/16 18X0 75	
7	56009086	1	ECROU 5/16 18	
8	56002930	2	VIS 6 PANS DE PIGNON 1/4 20 X 0.38	
9	56002108	1	VIS 1/4 20X2.00	
10	56002013	1	VIS 5/16 EME 18 X 20	
11	56002861	4	CONTRE ECROU H NYL 5/8 18	
12	56009176	1	VIS TETE HEXAG 10 24X1	
13	56416089	2	CHAPE DE REGLAGE COMPLETE	
14	56418685	1	INTERRUPTEUR ALLUMAGE	LPG and Petrol
14	56419123	1	CLEF DE CONTACT SR 1800	Not Shown
15	56305297	1	SIEGE COMPLET	
16	56304363	1	SUPPORT HABILLAGE	
17	56304374	1	PEDALE ACCELERATEUR ASSEM	
18	56304445	1	BATTERY HOLD DOWN	NOTE 1
19	56304449	1	LINKAGE PINTLE ASSEMBLY	
20	56304465	1	BRAKE LEVER ASSEMBLY	
21	56304599	1	CABLE DE FREIN CPLT	
22	56304632	1	ADJUSTER BRACKET	
23	56305473	1	TOW LEVER WELDMENT	
24	56305776	1	CONSOLE ASSY IC CAPTOR	LPG and Petrol
24	56305841	1	CONSOLE DIESEL	Diesel
25	56305092	1	COVER CONSOLE	
26	56305112	2	10 J TYPE HOLD DOWN	NOTE 1
27	56001993	2	VIS TETE PL PHIL 10 24X 5	Not Shown
27	56305233	1	GASKET	Not Shown
27	56305246	1	COVER ACCESS	Not Shown
27	56305282	1	ACCESS COVER ASSEMBLY	
28	56416650	1	JOINT	
29	56497754	1	CLEF DE CONTACT+BARILLET	Diesel
30	56305842	1	PLATE SWITCH	Diesel
31	56009191	3	VIS	Diesel

NOTE 1: 56304XXX and diesel models only.

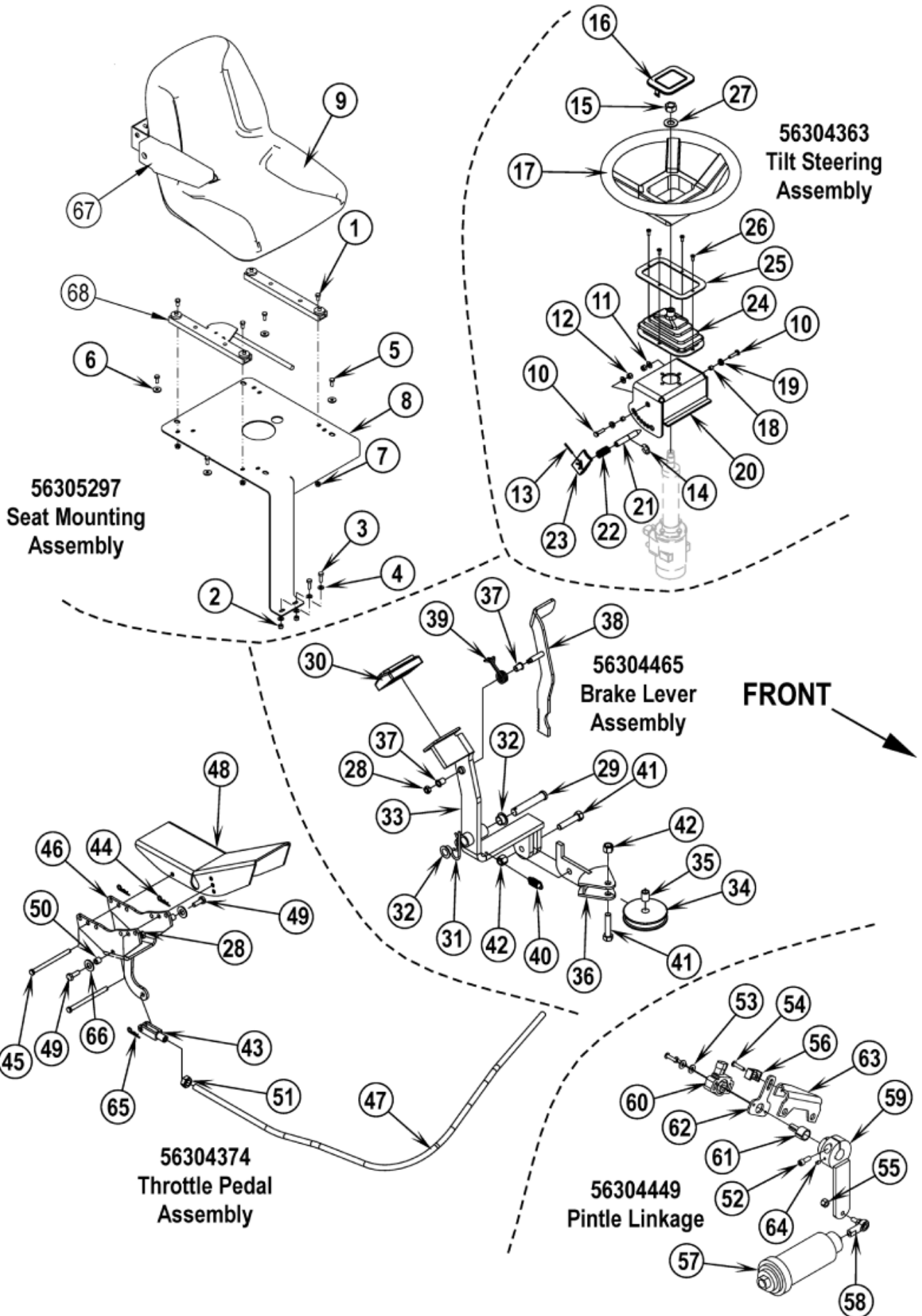
Control system sub-assemblies - Main Parts

CR 1100/1200/1400

16-02-2015

ID Liste de pièces
E143111

14



Control system sub-assemblies - Main Parts

CR 1100/1200/1400

16-02-2015

ID Liste de pièces
E143111

15

Pos	Réf. Pièce	Qté	Description	
	56304363	1	SUPPORT HABILLAGE	10-27
	56304374	1	PEDALE ACCELERATEUR ASSEM	28, 43-51 and 65-66
	56304449	1	LINKAGE PINTLE ASSEMBLY	52-64
	56304465	1	BRAKE LEVER ASSEMBLY	28-42
	56305297	1	SIEGE COMPLET	1-9
1	56002035	4	VIS 5/16 18 X .62	
2	56002856	2	ECROU 5/16SME 18	
3	56002913	2	VIS INOX 5/16 18 X 1.00	
4	56002938	4	RONDELLE PLATE INOX 5/16EME	
5	56002956	4	VIS 5/16-18X75	
6	56009122	4	RONDELLE M 6	
7	56001806	4	ECROU 5/16-18	
8	56305115	1	PLATE SEAT MOUNT	
9	7-69-00008	1	SIEGE 4030C	NOTE 1
10	56002093	2	VIS 6 PANS 1/4 20X1 00	
11	56002098	2	LAQUE DE SUPPORT 1/4	
12	56002708	2	LIQUET D ARRÊT 1/4 20	
13	56002763	1	GOUPILLE EXPANS 12X1	
14	56003264	1	RING RET EXT 1/2 E	
15	56003440	1	HEX NUT M16 X 1.5	
16	7-16-07428	1	COVER-STEERING WHEEL	
17	56418460	1	VOLANT DE DIRECTION	
18	56453849	2	BAGUE	
19	56304518	2	ROULEMENT FL 0.500 X .375 X .188	
20	56304528	1	STEERING MOUNT	
21	56304530	1	PIN SPRING EXTENSION	
22	56304531	1	SPRING COMPRESSION	
23	56304774	1	STEERING ADJUSTMENT LEVER	
24	56304812	1	BOOT STEERING	
25	56304813	1	STEERING BOOT RETAINER	
26	56002831	4	VIS 10624X0 50	
27	56002022	1	RONDELLE PLAQUE 5/8	
28	56002840	3	VIS 1/4 20	
29	56003207	1	AXE	
30	56365002	1	PROTECTION PEDALE	
31	56003222	1	GOUPILLE	
32	56304519	2	ROULEMENT FL 0.625 X 0.500 X0.375	
33	56305472	1	BRAKE LEVER WELDMENT	
34	56304557	1	PULLEY 3.00 DIAMETER	
35	56304558	1	BEARING	
36	56304562	1	PULLEY BRACKET WELDMENT	
37	56304554	2	ENTRETOISE .500X.375X.313	

NOTE 1: Seat 56305296 has been obsoleted and replaced with 7-69-00008. If you order the old seat 56305296 you will receive Seat Assy Kit 56109290 in it's place which includes items (9, 67 & 68).

NOTE 2: Used on machines built after June 2009, for replacement on earlier machines order Encoder Guide Kit

Control system sub-assemblies - Main Parts

CR 1100/1200/1400

16-02-2015

ID Liste de pièces
E143111

16

Pos	Réf. Pièce	Qté	Description	
38	56304902	1	LEVIER DE FREIN PARKING	
39	56304972	1	RESSORT DE TORSION .095	
40	56305072	1	RESSORT	
41	56002684	2	VIS 3/8 EME 16 X 1 3/4	
42	56002769	2	ECROU 3/8SME X 16	
43	56482542	1	RACCORD REGLABLE	
44	56003332	2	CLIPS ANNEAU DE	
45	56003669	2	AXE .50 X 3.00	
46	56107687	1	PEDAL WELDT	
47	56304552	1	CABLE DE COMMANDE	
48	56304777	1	PEDALE	
49	56001821	2	VIS HEX 1/4 20X0,88	
50	56151106	2	BUSHING .25X.37X.34G31J	
51	56009142	2	ECROU 1/4 28	
52	56002032	1	VIS 1/4 10 X 0 62	
53	56001954	3	ONDELLE	
54	56002996	3	SCR PAN PHIL 10 32 X .88	
55	56003626	1	ECROU 1/2 28	
56	56369004	1	BAGUE CV 82J	
57	56455799	1	VERIN APRES NDIA 12595598	
58	56463720	1	CHAPE A ROTULE	
59	56304355	1	LEVER WELDMENT	
60	56305129	1	SONDE VARIABLE DE PEDALE	
61	56305184	1	ACCOUPLLEMENT	
62	56508926	1	KIT PLAQUE DE GUIDE	
63	56305186	1	SUPPORT	
64	56009084	1	VIS INOX 10 24X 25	
65	56003332	1	CLIPS ANNEAU DE	
66	56002098	2	LAQUE DE SUPPORT 1/4	
67	7-03-04250	1	ACCOUDOIR DE SIEGE	NOTE 1
68	56109300	1	SLIDE KIT NO STUDS	NOTE 1

NOTE 1: Seat 56305296 has been obsoleted and replaced with 7-69-00008. If you order the old seat 56305296 you will receive Seat Assy Kit 56109290 in its place which includes items (9, 67 & 68).

NOTE 2: Used on machines built after June 2009, for replacement on earlier machines order Encoder Guide Kit

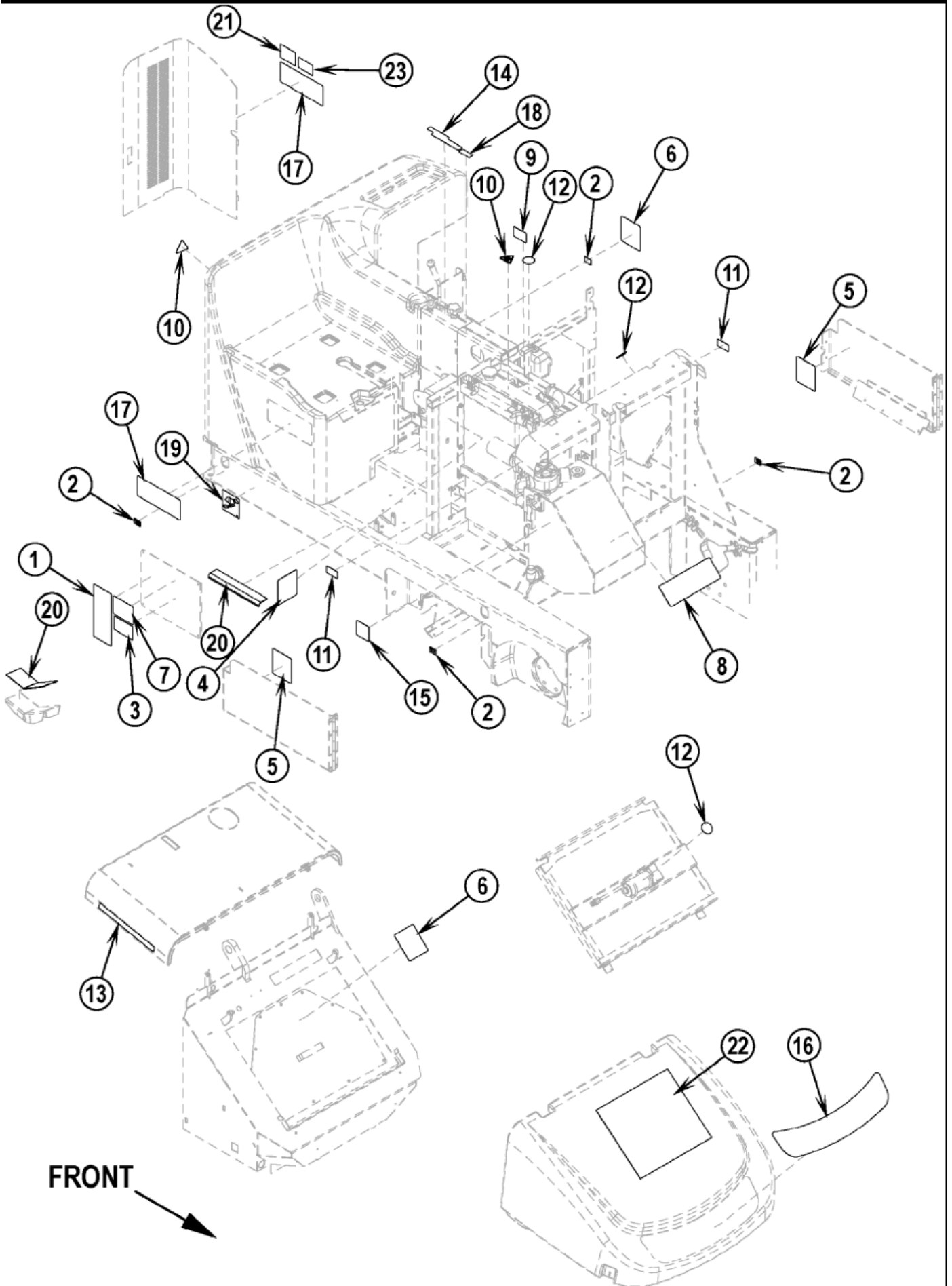
Decal system - Main Parts

CR 1100/1200/1400

16-02-2015

ID Liste de pièces
E143113

17



Decal system - Main Parts

CR 1100/1200/1400

16-02-2015

ID Liste de pièces
E143113

18

Pos	Réf. Pièce	Qté	Description
1	56014601	1	ADHES DANGER
2	56015370	4	ADHES BARRE
3	56015413	1	DECAL L.P.G. LPG ONLY
4	56015424	1	DECAL-WARNING HYDRAULIC
5	56015425	2	AUTOCOLLANT
6	56015426	2	DECAL WARNING FAN
7	56015427	1	ADHESIF WARNING TIP O
8	56015428	1	DECAL-WARNING-HOPPER
9	56015463	1	DECAL COOLANT LEVEL
10	56016363	2	DECAL WARNING HOT
11	56025496	2	ADHESIF
12	56030080	3	AUTOCOLLANT DANGER
14	56015185	1	DECAL MAIN BROOM/SOLUTION
15	56015189	1	DECAL OIL FILL
16	56015191	1	DECAL-NILFISK
17	56015200	2	DECAL CR1100
17	56015201	2	ADHESIF CR 1200
17	56015202	2	ADHESIF CR1400
18	56015206	1	DECAL HOPPER SAFETY SUPPORT
19	56015221	1	DECAL SOLUTION DRAIN
20	56305606	2	ADHESIF ANTIDERAPANT
21	56016226	1	DECAL UNLEADED FUEL PETROL ONLY
21	56025454	1	DECAL DIESEL FUEL

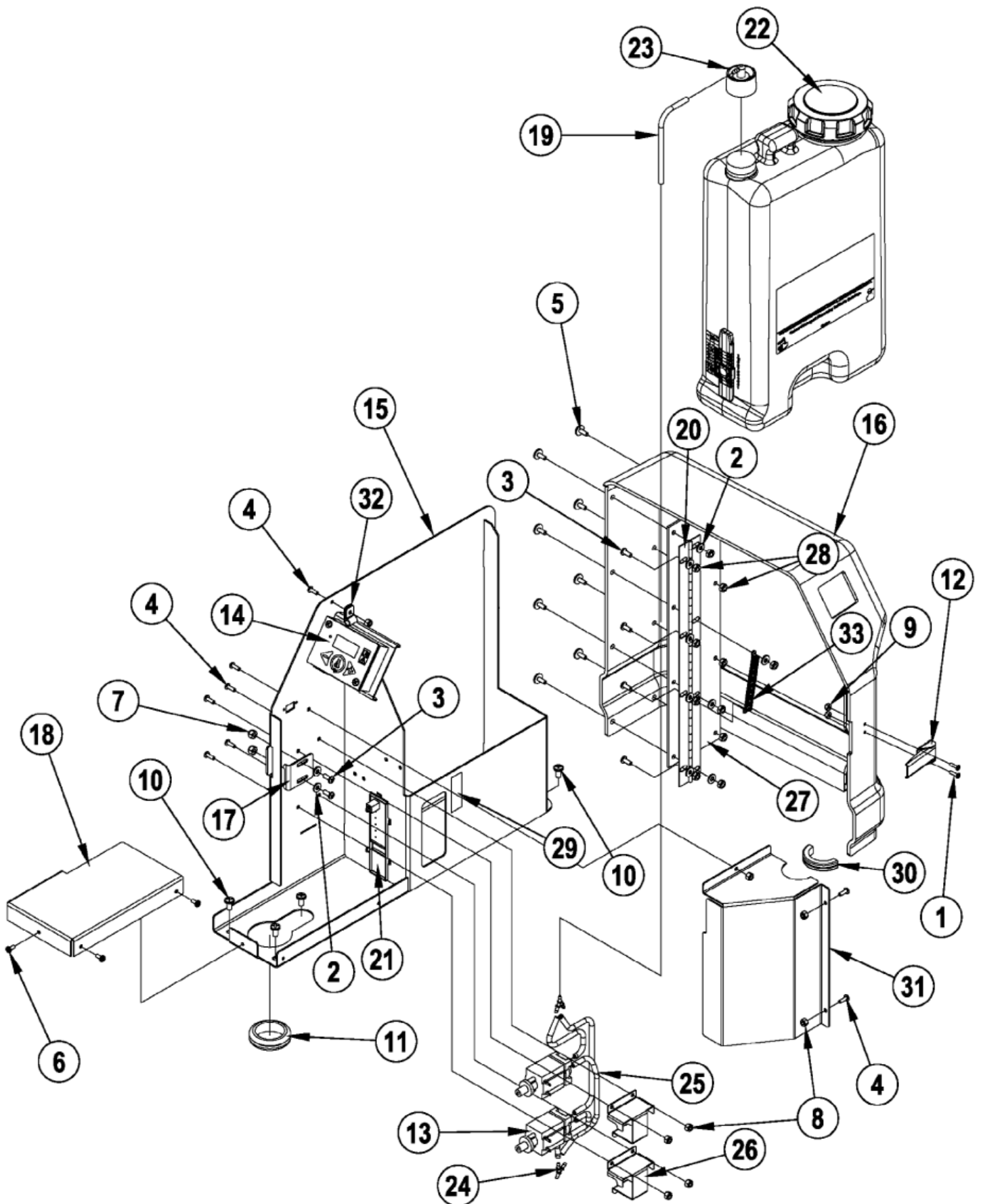
Detergent injection system - control box assy -

CR 1100/1200/1400

16-02-2015

ID Liste de pièces
E143115

19



Detergent injection system - control box assy -

CR 1100/1200/1400

16-02-2015

ID Liste de pièces
E143115

20

Pos	Réf. Pièce	Qté	Description	
0	56306125	1	CONTROL BOX ASSY 12 VDC	NOTE 1
0	56478246	1	RACC CABLE	Not Shown
1	56001830	2	SCR PAN PHIL 6 32 X .50	
2	56001954	10	ONDELLE	
3	56001993	6	VIS TETE PL PHIL 10 24X 5	
4	56002003	8	VIS 8 32 X 5	
5	56009100	8	VIS SANS TETE BLK 10 24	
6	56002523	3	SCR PAN HD PHIL HP5 8-32 X .38	
7	56002768	2	ECROU 10 24	
8	56002808	8	NUT HEX NYL LOC 8-32	
9	56002830	2	ECROU 6 32	
10	56009033	5	VIS 6 PANS 1/4 20 X 50	
11	56054715	1	GROMMET E00059	
12	56109591	1	LATCH	NOTE 2
13	56110742	2	POMPE SOLUTION 2	
14	56111400	1	CONTROLEUR ELECTRONIQUE EDS	
15	56306124	1	BOX WELDMENT CHEMICAL	
16	56306133	1	COVER CHEMICAL INJECTION	
17	56306147	1	CATCH	
18	56306148	1	COVER	
19	56306169	1	HOSE CHEM RESISTANT 17.00	
20	56306181	1	HINGE	
21	56315340	1	CAPTEUR CPLT	
22	56315517	1	BOUCHON NOIR	Not Shown
22	56315690	1	CAP 38MM BUTTRESS	Not Shown
22	56413119	1	RESERVOIR EDS 9 LITRES	Not Shown
22	56413784	1	TUYAU DE RESERVOIR	Not Shown
22	56413999	1	BOUTEILLE ESD SOLUTION 9L CPLT BR1100-13	
23	56315523	1	BOUCHON 1/8 GRIS	
24	56413691	2	CONNECTEUR Y DE SOLUTION	
25	56413693	4	TUYAU RESIST.PROD.CHIMIQUES	
26	56413775	2	BRACKET PUMP MOUNT	
27	56306191	1	PLATE REINFORCING	
28	56002832	12	ECROU	
29	56016331	1	DECAL CHEMICAL RATIO	
30	56344621	1	OEILLET	
31	56306198	1	PUMP COVER	
32	56300152	1	FIXATION CABLE	
33	56397301	1	FLEXIBLE PVC	
100	56306125	1	CONTROL BOX ASSY 12 VDC	NOTE 1 - Not shown
100	56306149	1	PUMP ASSY 12 VDC	NOTE 1 - Not shown
102	56306166	1	HARNESS IC CAPTOR AXP	Not shown

NOTE 1: The detergent injection system is only available as a field installed kit (56306138).

NOTE 2: Latch 56109591 is the replacement for Latch 56054856. To replace a 56054856 Latch; remove the old latch, line up the new latch 56109591 with the catch, use the latch as a template to mark and drill the new

Detergent injection system - control box assy -

CR 1100/1200/1400

16-02-2015

ID Liste de pièces
E143115

21

Pos	Réf. Pièce	Qté	Description	
103	56418387	1	RELAIS OUVERTURE DE	(K6) - Not shown
104	56387316	1	DISJONCTEUR 10A	(F8) - Not shown
105	56459367	1	BOUTON DE REMISE A ZERO	(FOR 56387316) - Not shown
106	56009063	1	SCR HEX THD FORM 10-24X .25	Not shown
107	56459825	1	REDUCTEUR	Not shown
108	56306179	2	DECAL CR1200 EDS	Not shown
109	56306180	2	DECAL CR1400 EDS	Not shown

NOTE 1: The detergent injection system is only available as a field installed kit (56306138).

NOTE 2: Latch 56109591 is the replacement for Latch 56054856. To replace a 56054856 Latch; remove the old latch, line up the new latch 56109591 with the catch, use the latch as a template to mark and drill the new

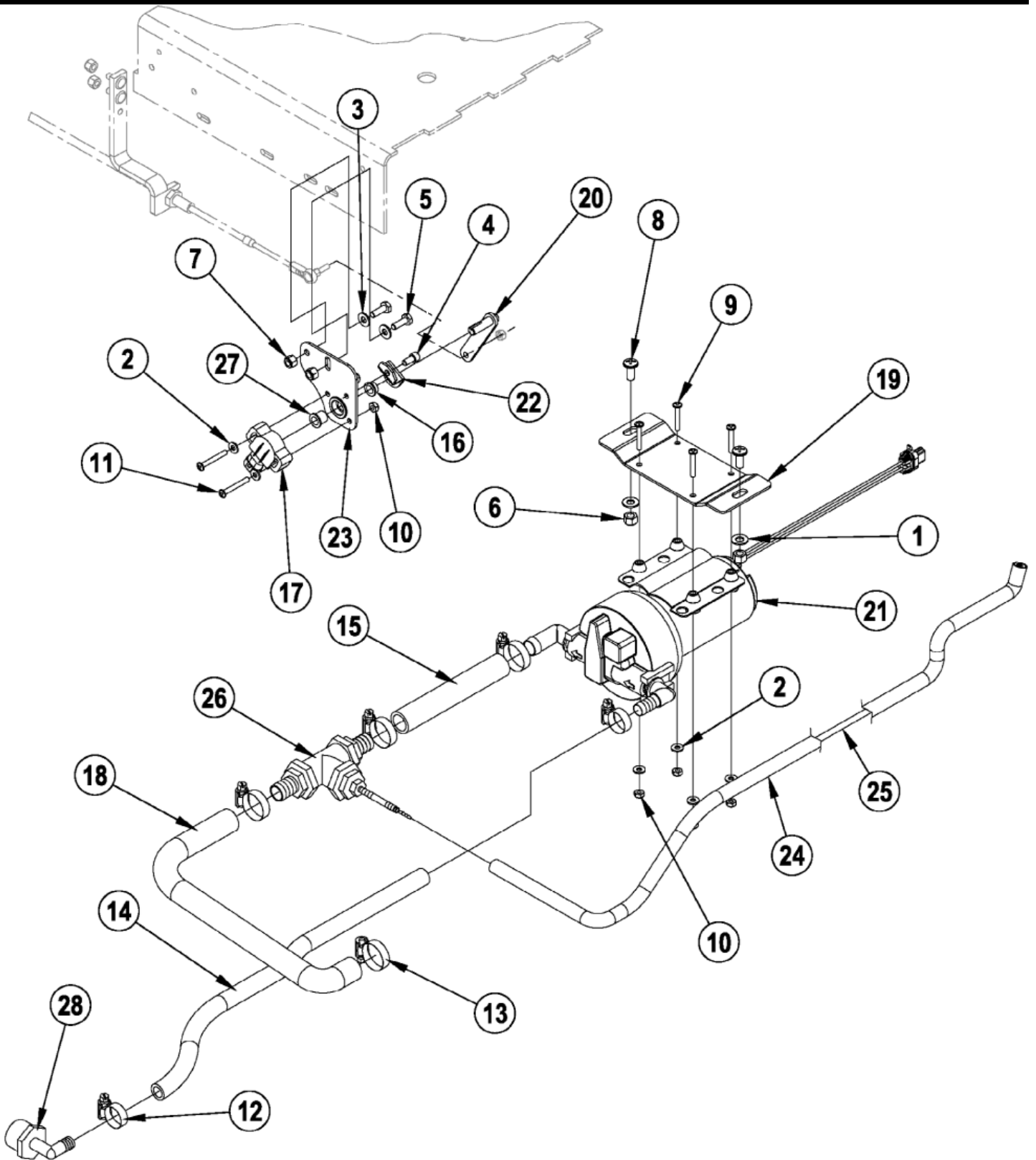
Detergent injection system - pump assy - Main

CR 1100/1200/1400

16-02-2015

ID Liste de pièces
E143117

22



Detergent injection system - pump assy - Main

CR 1100/1200/1400

16-02-2015

ID Liste de pièces
E143117

23

Pos	Réf. Pièce	Qté	Description	
0	56306149	1	PUMP ASSY 12 VDC	NOTE 1
1	56001939	2	RONDELLE PLATE SAE 5/16	
2	56001954	6	ONDELLE	
3	56002098	2	LAQUE DE SUPPORT 1/4	
4	56002115	1	SCR SOC HD 1/4-20 X .50	
5	56002155	2	VIS 1/4 20X.75	
6	56002701	2	VIS 5/16 18 X 62	
7	56002708	2	LIQUET D ARRÊT 1/4 20	
8	56002793	2	VIS 5/16-18X0.75	
9	56002824	4	SCR PAN PHIL 10-24X1.25	
10	56002832	6	ECROU	
11	56003574	2	SCR PAN PHIL SS 10 24X1.50	
12	56219932	2	COLLIER DE FIXATION	
13	56244969	4	FIXATION TUYAU SAE 12 E00	
14	56412277	1	FLEXIBLE DE VIDANGE	
15	56305762	1	HOSE SPIRAL E00605	
16	56303285	1	ROULEMENT 0.500 X 0.375 X 0.250	
17	56303313	1	POTENTIOMETRE	R4
18	56305591	1	HOSE SPIRAL .750 E00605	
19	56306122	1	MOUNT PUMP	
20	56306129	1	CONTROL ARM WELDT	
21	56306140	1	POMPE 12VDC 60PSI	M6
22	56306162	1	BRACKET PIVOT	
23	56306165	1	PIVOT SENSOR WELT	
24	56306168	1	CONDUIT SOLUTION HOSE 44LG	
25	56314942	1	TUYAU POMPE KIT CHIMIE EMBARQUE	
26	56306194	1	RACCORD EN T DE POMPE EDS	
27	56508737	1	BEARING FL .500 X .375 X .500	
28	56900245	1	BARB ELBOW E00037	

NOTE 1: The detergent injection system is only available as a field installed kit (56306138).

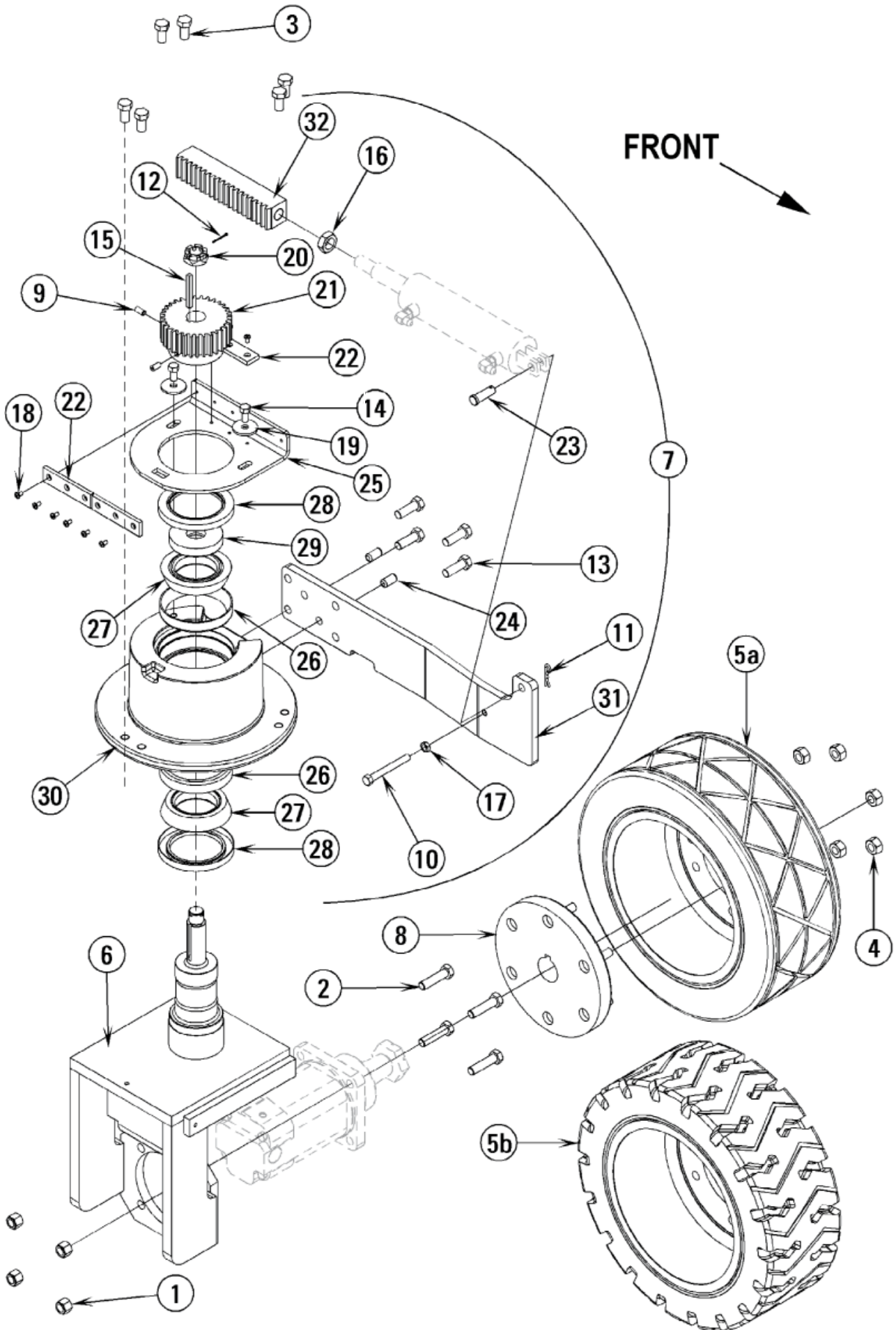
Drive wheel system - Main Parts

CR 1100/1200/1400

16-02-2015

ID Liste de pièces
E143119

24



Drive wheel system - Main Parts

CR 1100/1200/1400

16-02-2015

ID Liste de pièces
E143119

25

Pos	Réf. Pièce	Qté	Description	
1	56002770	4	ECROU 1/2 13	
2	56002983	4	VIS 1/2 13 X 2 00	
3	56003083	6	VIS 1/2 13X1.00	
4	56009116	6	ECROU	
6	56305466	1	SUPPORT	
7	56304576	1	ASSEMBLAGE DE DIRECTION	
8	56305037	1	MOYEU DE ROUE	
9	56002021	2	VIS SANS TETE 5/16 18 X 3	
10	56003006	1	SCR HEX THD TO HD 3/8-16X 2.75	
11	56003120	1	LAVETTE D ARRET	
12	56002574	1	GOUPILLE	
13	56002954	4	VIS 1/2 13 X 1 50	
14	56003485	2	VIS 1/2 20X1	
15	56003248	1	CLAVETTE SQ.25X2.31	
16	56009083	1	CONTRE ECROU 3/4 16	
17	56002769	1	ECROU 3/8SME X 16	
18	56002043	9	VIS TETE PL PHIL 10 24X 3	
19	56009115	2	RONDELLE 59	
20	56110817	1	ECROU CRENELE 7/8 14	
21	56418477	1	PIGNON DENTE	
22	56418575	3	PLAQUE SUPPORT	
23	56486733	1	BAGUE 5 X 1 5	
24	56002655	2	PIN DWL STD .50 X 1.00	
25	56304582	1	ADJUSTMENT RACK	
26	56304747	2	GUIDE ROULEMENT	
27	56304748	2	ROULEMENT	
28	56304749	2	JOINT	
29	56304766	1	ENTRETOISE	
30	56304782	1	STEERING HOUSING MACHINED	
31	56305521	1	BRACKET CYLINDER MOUNT	
32	56305041	1	CREMAILLERE	
5A	56304027	1	ROUE + BANDAGE	Not Shown
5A	56305036	1	BANDAGE DE ROUE	STD / High Taction - Not Shown
5A	56305038	1	ROUE ARRIERE CPLT	STD / High Taction
5B	56304025	1	BANDAGE 16 1/4 X 6	Not Shown
5B	56304027	1	ROUE + BANDAGE	Not Shown
5B	56304044	1	ROUE ARRIERE CPLT	Optional / High Durability
5C	56305996	1	TIRE 6 3X GROOVE	Not Shown
5C	56305997	1	WHEEL ASSY 6 3X-GROOVE IC MDL	Not Shown - Optional
5D	56304027	1	ROUE + BANDAGE	
5D	56306207	1	ROUE CPLTE URETHANE VERSION THERMIQUE	Not shown - Optional - TSBUS2009-1038
5D	56380444	1	BANDAGE DE ROUE POLYURETHANE 16 1/4 X 6	

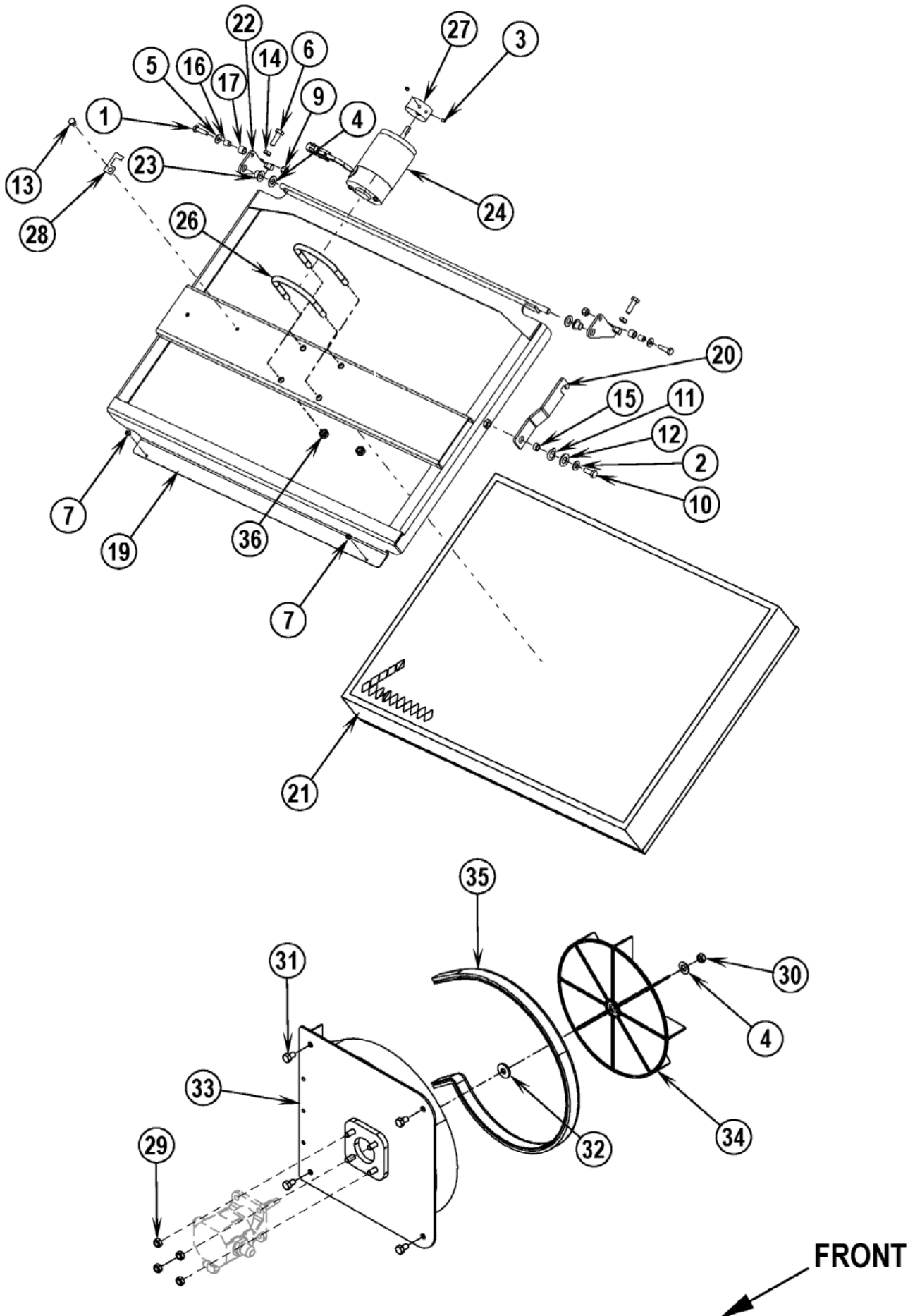
Dust control system - Main Parts

CR 1100/1200/1400

16-02-2015

ID Liste de pièces
E143121

26



Dust control system - Main Parts

CR 1100/1200/1400

16-02-2015

ID Liste de pièces
E143121

27

Pos	Réf. Pièce	Qté	Description	
1	56002093	2	VIS 6 PANS 1/4 20X1 00	
2	56001939	1	RONDELLE PLATE SAE 5/16	
3	56002015	2	VIS 10-24X,25	
4	56002063	3	RONDELLE PLATE 3/8SME	
5	56002098	2	LAQUE DE SUPPORT 1/4	
6	56002221	2	SCR HEX 5/16-18 X 1.00	
7	56002453	2	SCR PAN PHIL 10-24 X .25	
9	56002708	2	LIQUET D ARRÊT 1/4 20	
10	56002956	1	VIS 5/16-18X75	
11	56009001	1	RONDELLE DE BLOQUAGE ROUE	
12	56009003	1	RONDELLE	
13	56009019	1	VIS 1/4 20 X 0 38	
14	56009086	2	ECROU 5/16 18	
15	56320595	1	BAGUE 31X 50X 28HC18M	
16	56321532	2	BAGUE 25X 37X 40HC42C	
17	56370754	2	BEARING SLEEVE .379CV211KE0202	
19	56416289	1	SUPPORT FILTRE	
20	56416511	1	VERROUILLAGE	
21	56382783	1	PANNEAU FILTRANT POLYESTER	
22	56416625	2	PATTE DE FIXATION	
23	56416675	2	BUSHING FLANGE	
24	56508664	1	SECOUEUR ÉLECTRIQUE	NOTE 1
25	56418488	1	IMPELLOR ASSEMBLY	4 AND 29-35
26	56508888	2	U-BOLT 3/8-16 X 3.13 ID	NOTE 1
27	56491822	1	BAGUE EXCENTRIQUE	
28	56409769	1	CLIP WEATHER PACK	
29	56002826	4	ECROU 5/16 18	
30	56002866	1	ECROU 5/16 24	
31	56002923	4	SCR HEX LOC 5/16-18 X .50	
32	56009107	1	RONDELLE	
33	56418784	1	IMPELLOR BRACKET WELDT	
34	56418897	1	HELICE	
35	56419370	1	TRIM SEAL	
36	56002841	4	NUT HEX NYL LOC-THIN 3/8-16	

NOTE 1: Shaker motor 56418389 is no longer available. If you order the old shaker motor 56418389 you will receive Shaker Motor Kit 56508773 which

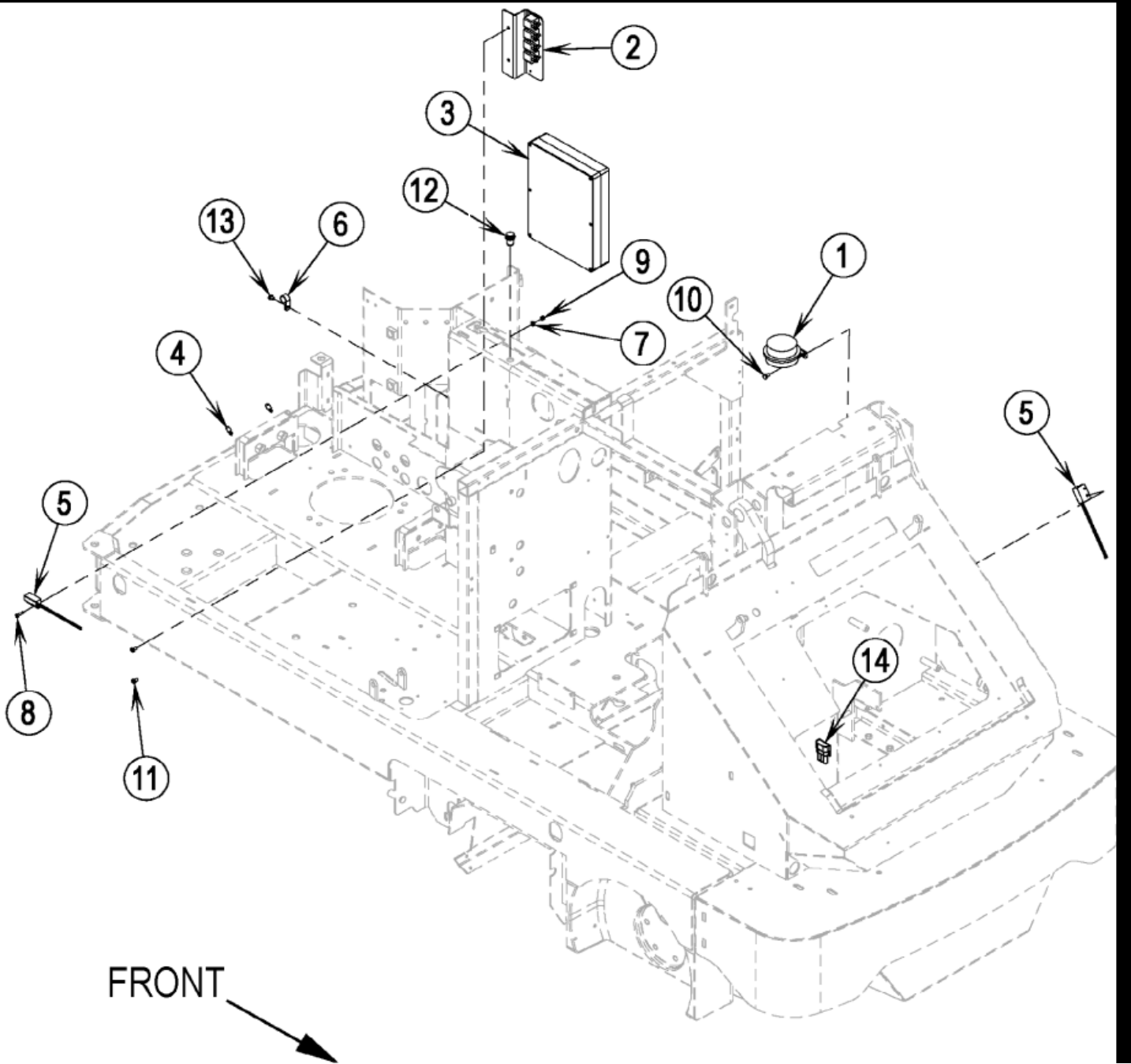
Electrical system - Main Parts

CR 1100/1200/1400

16-02-2015

ID Liste de pièces
E143123

28



Electrical system - Main Parts

CR 1100/1200/1400

16-02-2015

ID Liste de pièces
E143123

29

Pos	Réf. Pièce	Qté	Description	
0	56304421	1	HARNESS HOPPER	Not Shown
0	56304758	1	CABLAGE MACHINE	(Gasoline/Petrol / LPG) 56304XXX models / NOTE 1 -
0	56304759	1	HARNESS SHAKER MOTOR	Not Shown
0	56304780	1	CORD ASSEMBLY HOPPER	Not Shown
0	56305012	1	CABLE POS. BATTERY	Not Shown
0	56305013	1	CABLE NEG. BATTERY	Not Shown
0	56305499	1	CABLE ASSEMBLY	Not Shown
0	56305797	1	HARNESS DIESEL MAIN	Diesel - Not Shown
0	56306082	1	HARNESS G/P MAIN	(Gasoline/Petrol / LPG) 56306XXX models / NOTE 1 -
0	56372673	2	GAINE DE BORNE DE BATTERI	Not Shown
1	56442054	1	AVERTISSEUR SONORE	
2	56009063	4	SCR HEX THD FORM 10-24X .25	Gasoline/Petrol / LPG
2	56305386	1	RELAY MOUNT	Diesel/Gasoline/Petrol / LPG
2	56305396	1	ASSEMBLY RELAY MOUNT	Gasoline/Petrol / LPG
2	56305859	1	ASSEMBLY RELAY MOUNT	Diesel
2	56418387	1	RELAIS OUVERTURE DE	
3	56305288	1	CARTE PRINCIPALE CR 1200	
4	56305237	2	AMPOULE 12V	
5	56305053	2	SONDE	S12 / Hopper Interlock and S16 / Main Broom
6	56486112	1	SERRE CABLE	
7	56001954	1	ONDELLE	
8	56002674	1	VIS 10 24 X 1	
9	56002832	1	ECROU	
10	56009033	1	VIS 6 PANS 1/4 20 X 50	
11	56009069	2	VIS 1/4 20 X 1/2	
12	56305660	1	VOYANT ROUGE	H8 / Broom Pressure
13	56009019	1	VIS 1/4 20 X 0 38	
14	56462372	1	CONN.WR.PK.FEMALE 3	

NOTE 1: Refer to model numbers on the front cover.

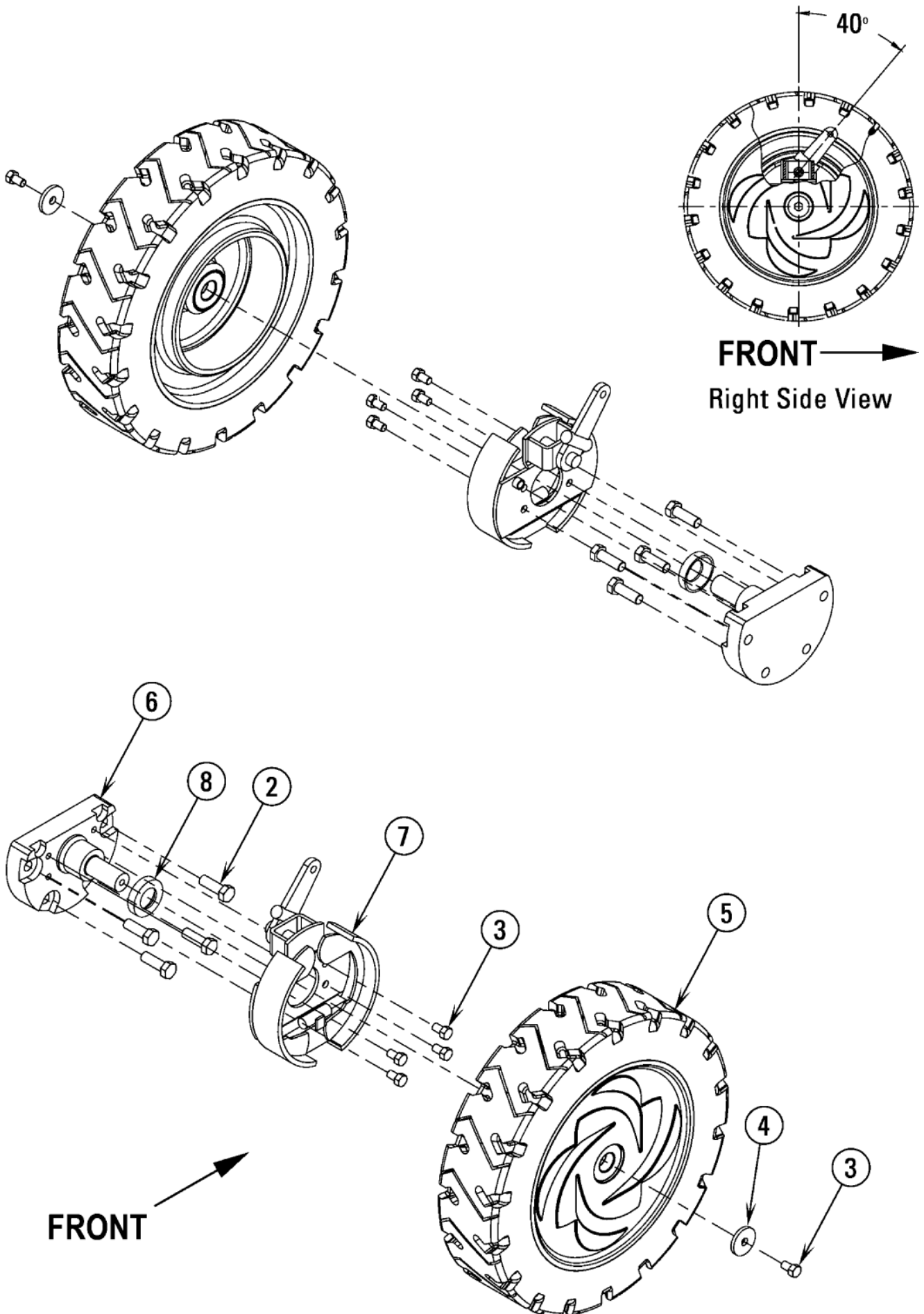
Front wheel system - Main Parts

CR 1100/1200/1400

16-02-2015

ID Liste de pièces
E143125

30



Front wheel system - Main Parts

CR 1100/1200/1400

16-02-2015

ID Liste de pièces
E143125

31

Pos	Réf. Pièce	Qté	Description	
2	56002954	8	VIS 1/2 13 X 1 50	
3	56003079	8	VIS	
4	56367117	2	RONDELLE PLATE ACIER 40	
5	56111531	2	ROULEMENT	2 per wheel assy TSBUS2007-981 - Not Shown
5	56304024	1	BANDAGE 16 X 4	1 per wheel assy - Not Shown
5	56382656	2	ROUE ARRIERE	
5	56382835	1	HUB KIT	1 per wheel assy - Not Shown
6	56305927	2	SUPPORT	
7	56305600	1	MACHOIRE DE FREIN	2 required per Brake Assy - Not Shown
7	56410012	2	GARNITURE DE FREIN	
7	56418580	1	LEVER BRAKE	Not Shown
8	56305742	2	BAGUE	

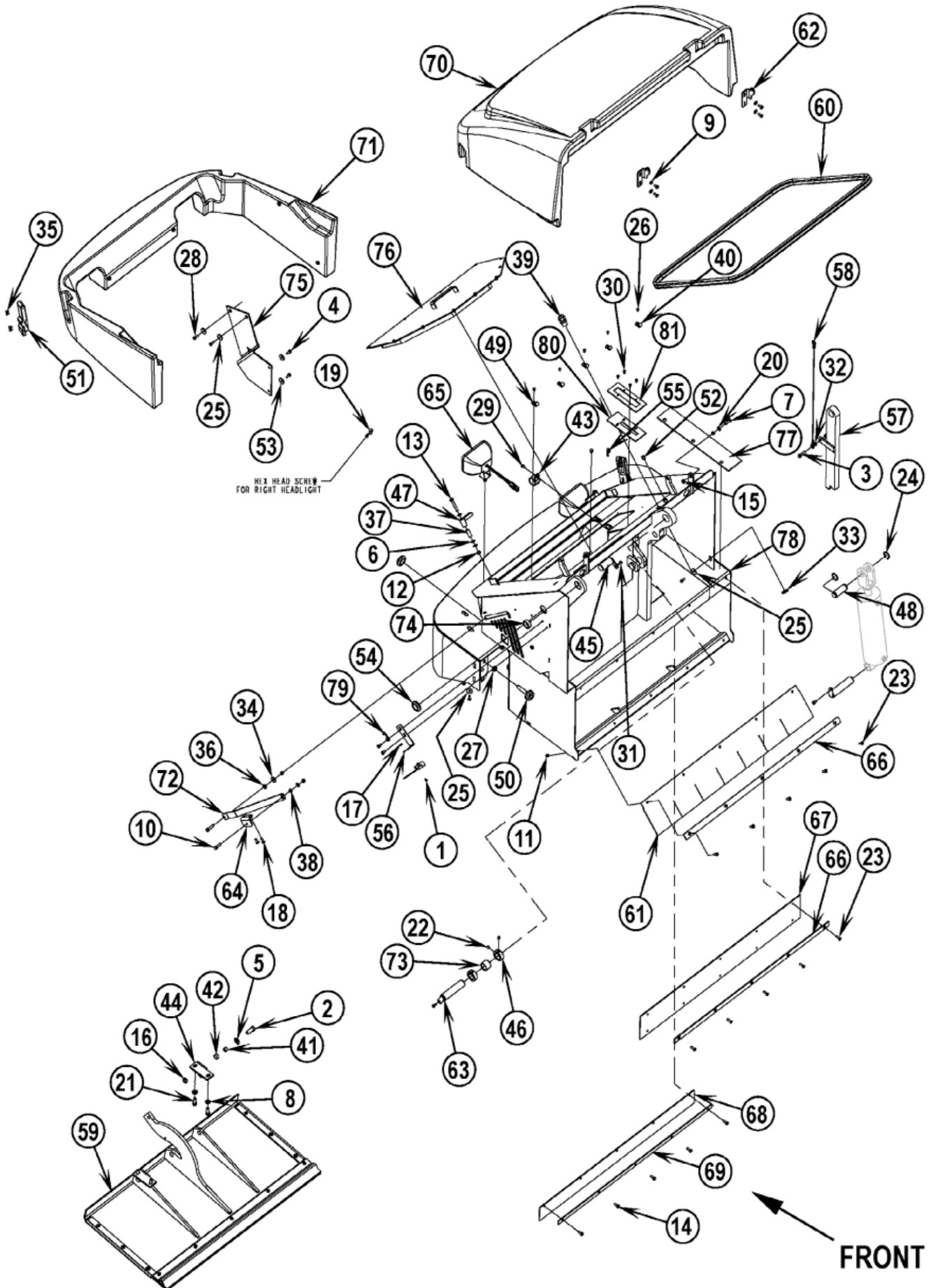
Hopper system - Main Parts

CR 1100/1200/1400

16-02-2015

ID Liste de pièces
E143127

32



Hopper system - Main Parts

CR 1100/1200/1400

16-02-2015

ID Liste de pièces
E143127

33

Pos	Réf. Pièce	Qté	Description	
0	56486112	2	SERRE CABLE	Not Shown
1	56001818	1	SCR PAN PHIL 8 32 X .38	
2	56001831	2	VIS 1/2 13X1.25	
3	56001834	2	VIS 6 PANS 5/16 18X1 25	
4	56001836	8	VIS 6 PANS 1/4 20X 62	
5	56001879	2	RONDELLE 1/2 SAE	
6	56001939	7	RONDELLE PLATE SAE 5/16	
7	56002037	2	VIS HEX 5/16 18X.88	
8	56002063	4	RONDELLE PLATE 3/8SME	
9	56002098	4	LAQUE DE SUPPORT 1/4	
10	56002221	1	SCR HEX 5/16-18 X 1.00	
11	56002491	15	ECROU 1/4 20	
12	56002701	3	VIS 5/16 18 X 62	
13	56002721	2	SCR HEX 5/16-18 X 2.00	
14	56002807	5	VIS HEX SS 1/4-20 X .75	
15	56002826	4	ECROU 5/16 18	
16	56002843	2	ECROU 1/2 13	
17	56002877	1	ECROU 8 32 NYLON	
18	56002922	6	VIS 6PANS NLOCAGE 1/4 20X0,62	
19	56002929	1	VIS SCR HEX HD LOC 5/16 1	
20	56002938	2	RONDELLE PLATE INOX 5/16EME	
21	56002947	4	VIS 3/8 16X1	
22	56003081	4	VIS 3/8 16	
23	56002711	10	ECROU	
24	56003258	2	CIRCLIPS	
25	56009002	4	RONDELLE PL ZINC	
26	56009012	5	VIS 10 24X.38	
27	56002770	2	ECROU 1/2 13	
28	56009018	2	VIS SANS TETE 1/4 20	
29	56009019	2	VIS 1/4 20 X 0 38	
30	56009082	4	VIS 10/24X50	
31	56009033	5	VIS 6 PANS 1/4 20 X 50	
32	56009086	1	ECROU 5/16 18	
33	56009095	1	ECROU 1/2 14	
34	56009122	1	RONDELLE M 6	
35	56002043	8	VIS TETE PL PHIL 10 24X 3	
36	56244937	1	BUSHING FLANGE .328FC428C	
37	56300241	2	ENTRETOISE 0 33X 50X1 3	
38	56320595	3	BAGUE 31X 50X 28HC18M	
39	56323135	1	PRESSE ETOUPE	
40	56342319	2	CLAMP CABLE .375 E00129	
41	56360627	2	BAGUE 50X 62X 41CT32G	
42	56370878	2	FEUILLE DE ROULEMENT	

Hopper system - Main Parts

CR 1100/1200/1400

16-02-2015

ID Liste de pièces
E143127

34

Pos	Réf. Pièce	Qté	Description	
43	56409463	1	FIXATION 1 25 TUYAU SU	
44	56416253	2	VERROUILLAGE	
45	56416308	2	CHARNIERE METAL GAUCHE	
46	56416498	2	BAGUE D ARRET	
47	56416674	2	ARTICULATION MECANIQUE	
48	56418625	1	AXE	
49	56442011	3	CLAMP CABLE .438 E00129	
50	56449221	2	BUTEE	
51	56462746	2	LOQUET	
52	2-00-03778	1	HEX HD 1/8 NPT PLUG	
54	56486116	3	CORNIERE E00059	
55	56003120	1	LAVETTE D ARRET	
56	56304416	1	BRACKET MAGNETIC SWITCH	
57	56304526	1	PROP ROD WELDMENT	
58	56304548	1	PROP ROD CABLE ASSEMBLY	
59	56304596	1	PORTE BENNE	
60	56304617	1	JOINT	
61	56304665	1	LAMELLE DE TREMIE	
61	56305593	1	JUPE TREMIE GROS TRAVAUX	Optional
62	56304677	2	CHARNIERE DE CAPOT	
63	56304683	2	AXE	
64	56304685	1	BRACKET PROP	
65	56304768	2	LAMPE 12 V CPLT	
65	56304783	1	AMPOULE PHARE AV CR 1200	For 56304768
66	56304807	2	STRAP HOPPER	
67	56304810	1	BAVETTE HORIZONT TREMIE	
68	56304815	1	BAVETTE	
69	56304816	1	STRAP	
70	56304832	1	CAPOT	
71	56304833	1	COVER HOPPER BOTTOM	
72	56304863	1	PROP ROD	
73	56304896	1	ENTRETOISE 1 125X1 3 75	
74	56304897	1	ENTRETOISE 1 25X1 375	TSBUS2004-865
75	56305183	1	BRACKET LOWER HOPPER COVER	
76	56305190	1	ACCESS PANEL ASSEMBLY	
77	56305196	1	BAVETTE	
78	56305465	1	BAC A DECHET METAL	
79	56409769	1	CLIP WEATHER PACK	
80	56419264	1	BOOT HOPPER	
81	56419265	1	PLATE BOOT	

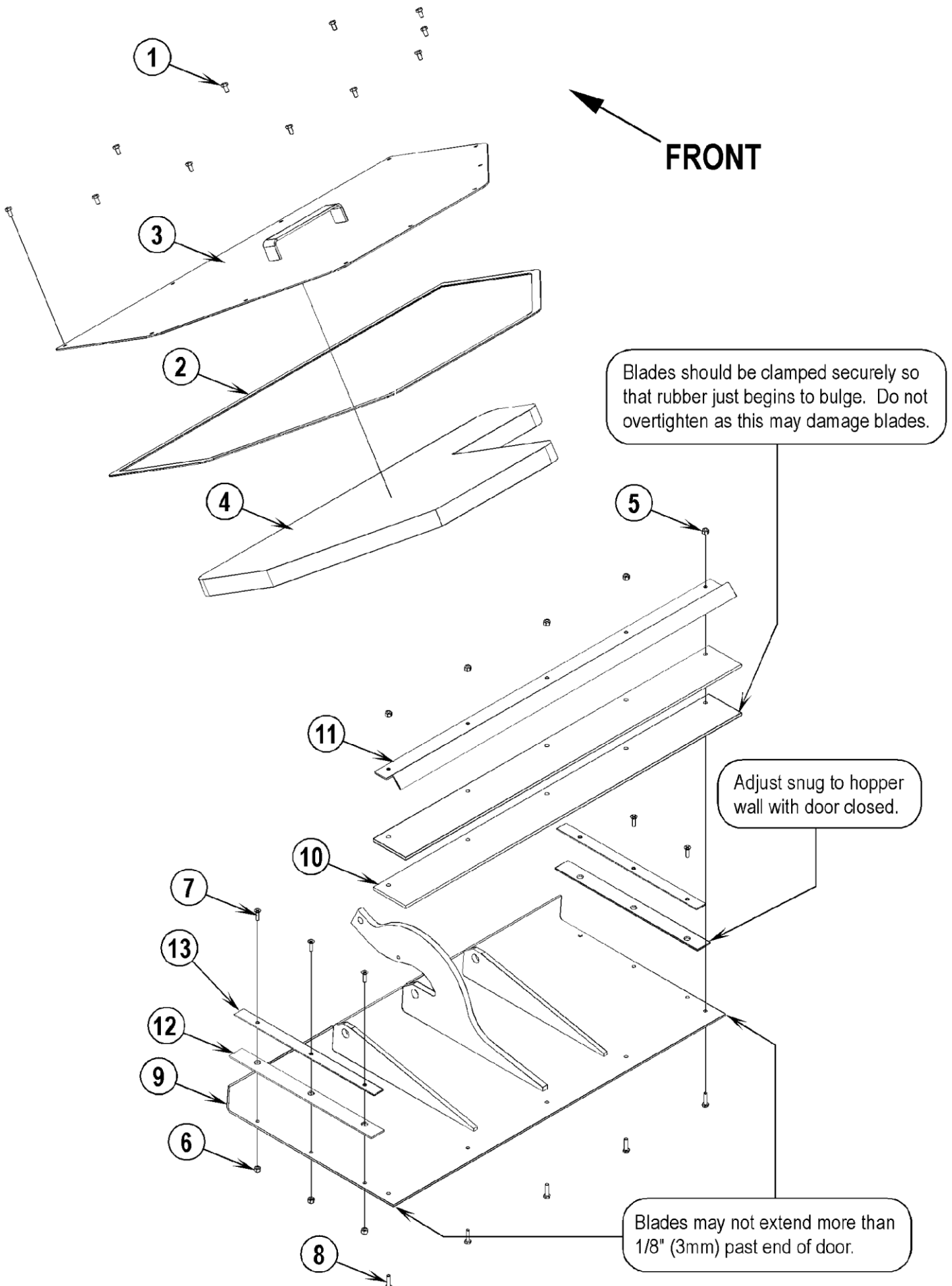
Hopper system sub-assemblies - Main Parts

CR 1100/1200/1400

16-02-2015

ID Liste de pièces
E143129

35



Hopper system sub-assemblies - Main Parts

CR 1100/1200/1400

16-02-2015

ID Liste de pièces
E143129

36

Pos	Réf. Pièce	Qté	Description	
0	56304596	1	PORTE BENNE	5-13
0	56305190	1	ACCESS PANEL ASSEMBLY	1-4
1	56009012	11	VIS 10 24X.38	
2	56330682	1	GASKET 1/16X1/2X120HC525F	qty in feet
3	56304401	1	ACCESS PANEL WELDMENT	
4	56304729	1	MOUSSE	
5	56002491	5	ECROU 1/4 20	
6	56002491	6	ECROU 1/4 20	
7	56002711	6	ECROU	
8	56002883	5	VIS 1/4 20X1 00 INOX	
9	56304597	1	BAVETTE	
10	56304808	2	LAMELLE PORTE DE TREMIE	
11	56304809	1	BARRE DE MAINTIEN DE BAVETTE	
12	56419440	2	LAMELLE NEOPRENE POUR	
13	56419441	2	STRAP	

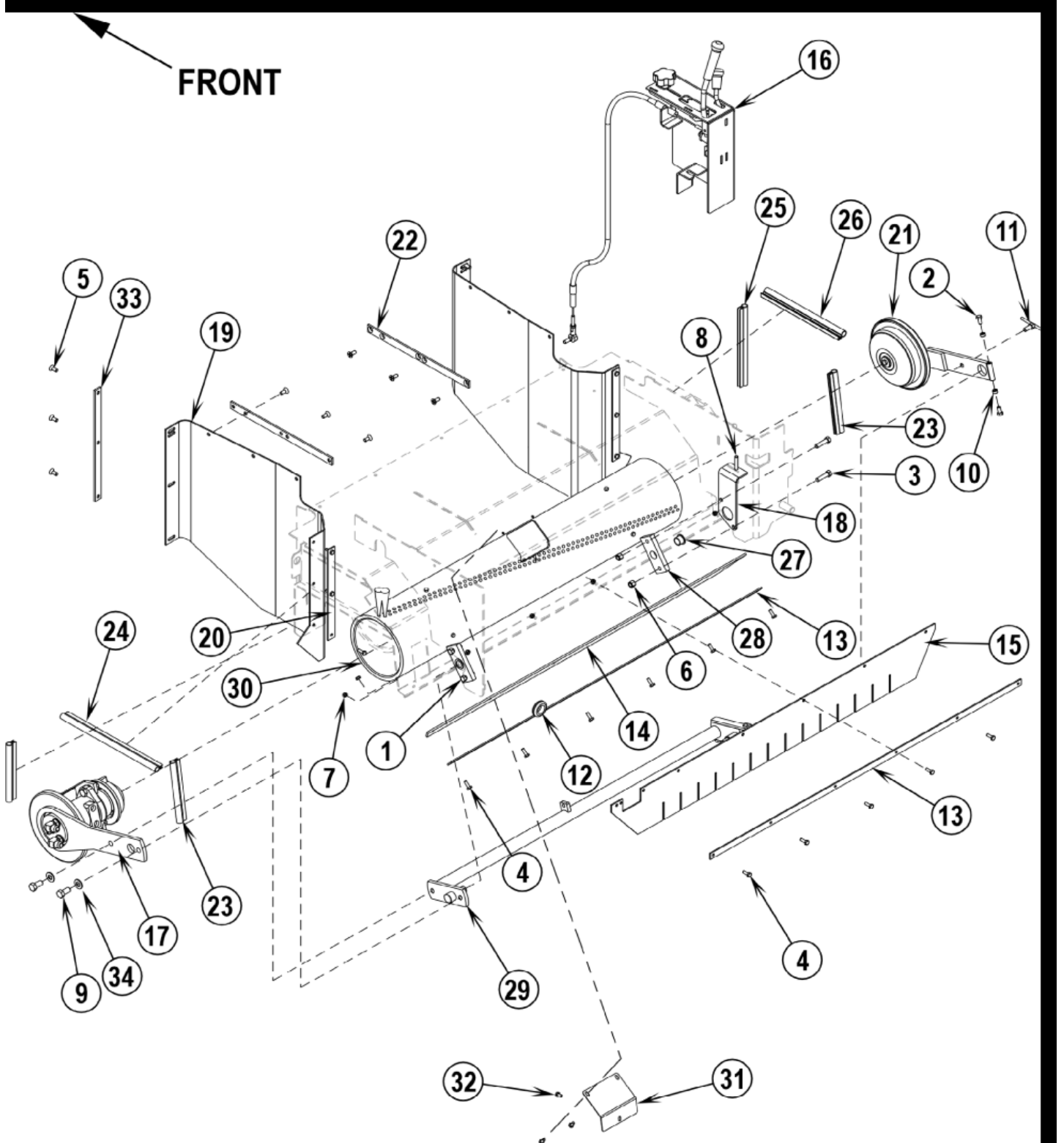
Main broom system - Main Parts

CR 1100/1200/1400

16-02-2015

ID Liste de pièces
E143131

37



Main broom system - Main Parts

CR 1100/1200/1400

16-02-2015

ID Liste de pièces
E143131

38

Pos	Réf. Pièce	Qté	Description	
0	56505951	1	BROSSE CYLINDRIQUE PPL	Optional
0	56505952	1	BROSSE CYLIND PROEX 12	Optional
0	56505953	1	BROSSE CYLINDRIQUE NYLON	Optional
0	56505954	1	BROSSE CYLINDRIQUE PROEX	Optional
0	56505956	1	ROULEAU PROLENE 8 RANGEES	Optional
1	56002095	2	VIS 3/8 16X1 50 6 PANS	
2	56002035	2	VIS 5/16 18 X .62	
3	56002095	2	VIS 3/8 16X1 50 6 PANS	
4	56002155	18	VIS 1/4 20X.75	
5	56002395	12	VIS 5-16EME 18X0.75	
6	56002769	4	ECROU 3/8SME X 16	
7	56002840	12	VIS 1/4 20	
8	56002013	1	VIS 5/16 EME 18 X 20	
9	56003083	2	VIS 1/2 13X1.00	
10	56320595	2	BAGUE 31X 50X 28HC18M	
11	56416382	1	VIS DE BLOCAGE SYST	
12	56486116	1	CORNIERE E00059	
13	56303147	2	STRAP REAR	
14	56303148	1	LAMELLE ARRIERE	
15	56303149	1	BAVETTE ARRIERE	
16	56304753	1	KIT PANNEAU DE COMMANDE DE BROSSE	
17	56304913	1	GUIDE DE BROSSE COMPLET ASSEMBLE	
18	56304919	1	BROOM ADJUSTER	
19	56304924	2	LAMELLE LATERALE	
20	56304925	2	STRAP VERTICAL	
21	56304979	1	SUPPORT DE BROSSE CPLT	
22	56305102	4	STRAP	Qty of 2 after SN 182990
23	56305198	1	JOINT	
24	56305199	1	JOINT	
25	56305200	10	JOINT	
26	56305201	1	JOINT	
27	56305255	2	ENTRETOISE A EPAULEMENT	
28	56305276	2	PALLIER	
29	56305399	1	BARRE DE FLAP	
30	56505955	1	BROSSE CYLINDRIQUE PROEX	
31	56305819	1	TRAPPE D ACCES	
32	56009033	3	VIS 6 PANS 1/4 20 X 50	
33	56305960	2	STRAP	after 1829990
34	56001879	2	RONDELLE 1/2 SAE	

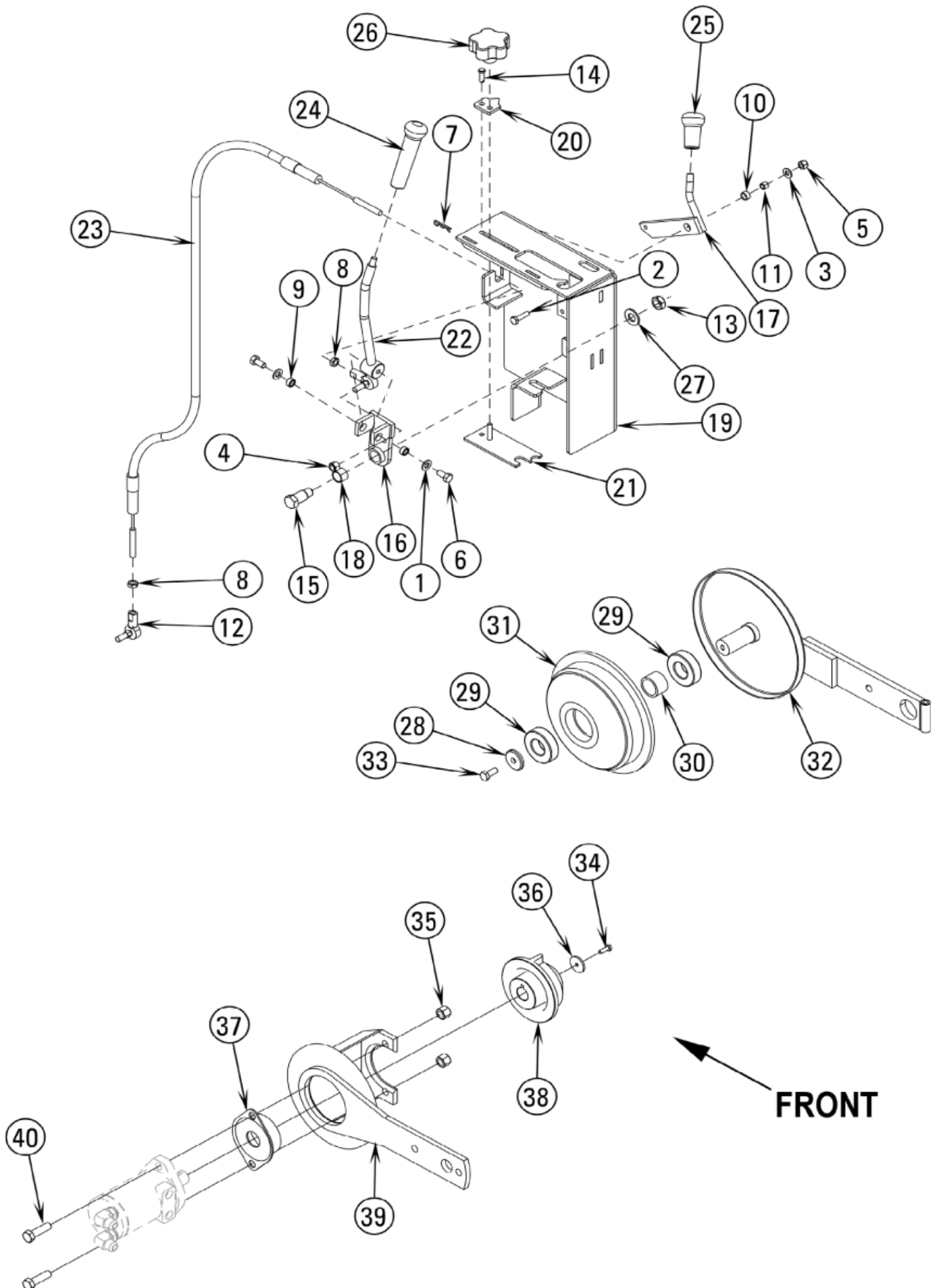
Main broom system sub-assemblies - Main Pa

CR 1100/1200/1400

16-02-2015

ID Liste de pièces
E143133

39



Main broom system sub-assemblies - Main Pa

CR 1100/1200/1400

16-02-2015

ID Liste de pièces
E143133

40

Pos	Réf. Pièce	Qté	Description	
0	56304753	1	KIT PANNEAU DE COMMANDE DE BROSSE	1-27
0	56304913	1	GUIDE DE BROSSE COMPLET ASSEMBLE	34-40
0	56304979	1	SUPPORT DE BROSSE CPLT	28-33
1	56001939	2	RONDELLE PLATE SAE 5/16	
2	56002093	1	VIS 6 PANS 1/4 20X1 00	
3	56002098	1	LAQUE DE SUPPORT 1/4	
4	56002950	1	ECROU 5/16 X 24	
5	56002708	1	LIQUET D ARRÊT 1/4 20	
6	56002929	2	VIS SCR HEX HD LOC 5/16 1	
7	56003332	1	CLIPS ANNEAU DE	
8	56001884	2	ECROU 5/16X24	
9	56320595	2	BAGUE 31X 50X 28HC18M	
10	56368970	1	BAGUE INT PALIER 375CV82	
11	56368989	1	BAGUE 25X 37X 30CV82G	
12	56477756	2	ROTULE DE CONNEXION	
13	56002843	1	ECROU 1/2 13	
14	56003663	1	GOUPILLE	
15	56171336	1	BOULON A EPAULEMENT	
16	56305474	1	LIFT PIVOT WELDMENT	
17	56304345	1	LEVIER DE SOLUTION	
18	56304586	1	ENTRETOISE 0 75X 625X0 50	
19	56304752	1	CARTER DE LEVIER	
20	56304821	1	PLAQUETTE INDICATRICE	
21	56304822	1	PLAQUE D ARRET	
22	56304825	1	LEVIER	
23	56305009	1	CABLE BROSSE DE REMONTEE	
24	56305010	1	EMBOUT DE POIGNEE	
25	56305011	1	BOUTON	
26	56305030	1	MOLETTE DE REGLAGE	
27	56001879	1	RONDELLE 1/2 SAE	
28	56358959	1	RONDELLE	
29	56479430	2	ROULEMENT BILLE 9843 RE4	
30	56479434	1	BAGUE 1 0X1 2X 78RE470AJ	
31	56111915	1	HUB-IDLER	
32	56304977	1	SUPPORT	
33	56002956	1	VIS 5/16-18X75	
34	56002155	1	VIS 1/4 20X75	
35	56002770	2	ECROU 1/2 13	
36	56009199	1	RONDELLE .266X1,250X125	
37	56455997	1	COUVERCLE MOTEUR	
38	56477762	1	MOYEU DE ROUE MOTRICE	
39	56305469	1	ARM BROOM WELDMENT	
40	56001995	2	VIS 1/2 13X1.75	

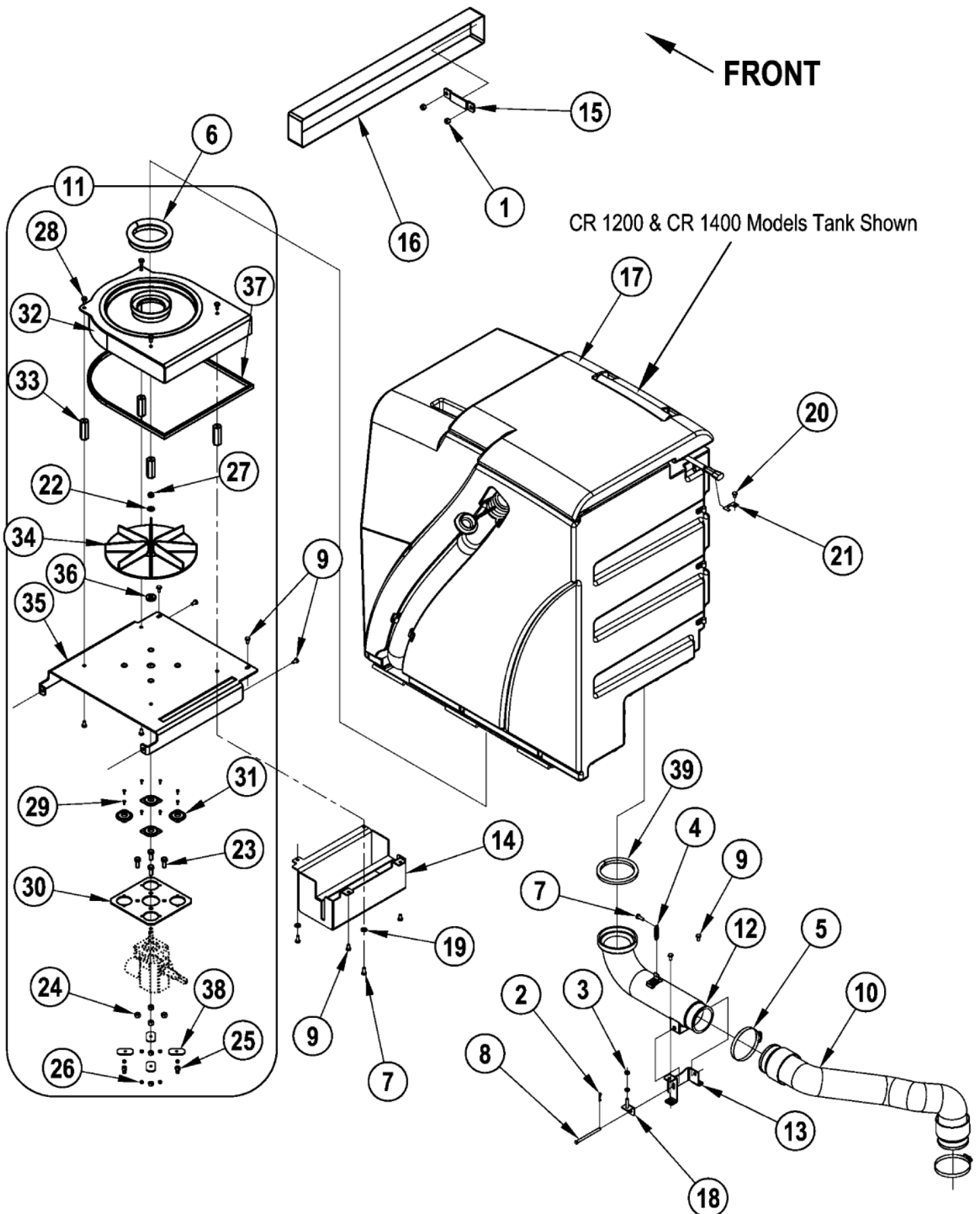
Recovery system - Main Parts

CR 1100/1200/1400

16-02-2015

ID Liste de pièces
E143135

41



Recovery system - Main Parts

CR 1100/1200/1400

16-02-2015

ID Liste de pièces
E143135

42

Pos	Réf. Pièce	Qté	Description
1	56002701	2	VIS 5/16 18 X 62
2	56003332	1	CLIPS ANNEAU DE
3	56009087	2	ECROU 1/4 20 X 2 2
4	56112054	1	RESSORT
5	56352829	2	FIXATION TUYAU SAE 52 E0
6	56455984	1	JOINT
7	56002948	3	VIS HEX HP LOC 1/4 20 X 0.75
8	56003669	1	AXE .50 X 3.00
9	56009033	8	VIS 6 PANS 1/4 20 X 50
10	56305377	1	FLEXIBLE COMPLET
11	56304800	1	KIT ASPIRATEUR 22-38
13	56304844	1	MOUNT PIVOT
14	56305306	1	WELDMENT VAC FAN DEFLECTOR
15	56305488	1	TIE DOWN
16	56305491	1	ATTACHE
17	56305063	1	RESERVOIR CPLT CR 1200 and CR1400 models
17	56305524	1	RECOVERY TANK ASSEMBLY CR 1100 models
18	56305721	1	TAB ADJUST
19	56002098	2	LAQUE DE SUPPORT 1/4
20	56009019	1	VIS 1/4 20 X 0 38
21	56409769	1	CLIP WEATHER PACK
22	56002701	4	VIS 5/16 18 X 62
23	56002708	4	LIQUET D ARRÊT 1/4 20
24	56002830	8	ECROU 6 32
25	56002950	1	ECROU 5/16 X 24
26	56001939	1	RONDELLE PLATE SAE 5/16
27	56002037	4	VIS HEX 5/16 18X.88
28	56003039	6	IS 1/4 20X1/2
29	56003068	8	SCR HEX 6 32 X .38
30	56304647	1	PLAQUE
31	56304652	4	ISOLATEUR DE VIBRATION
32	56304805	1	CARTER
33	56304806	4	SPACER
34	56305018	1	HELICE A PALETTE
35	56305019	1	BOTTOM PLATE
36	56305022	1	ENTRETOISE .375X1.00X.250
37	56305212	1	JOINT
38	56305714	4	JOINT D ECROU
39	56109570	1	JOINT Note 2, TSBUS2006-920

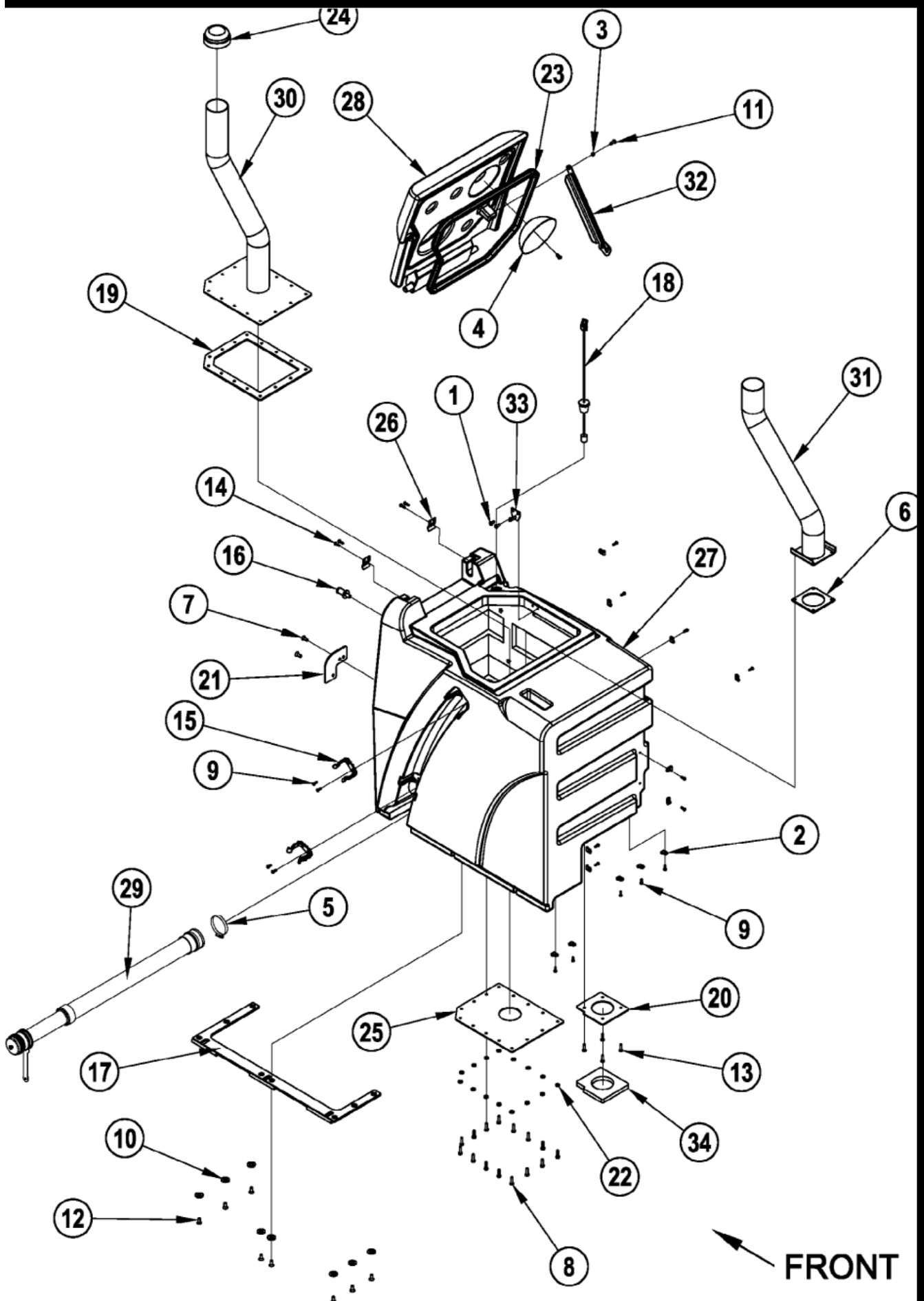
Recovery tank assembly (CR 1100" Models) - Ma

CR 1100/1200/1400

16-02-2015

ID Liste de pièces
E143137

43



Recovery tank assembly (CR 1100" Models) - Mai

CR 1100/1200/1400

16-02-2015

ID Liste de pièces
E143137

44

Pos	Réf. Pièce	Qté	Description	
0	56305524	1	RECOVERY TANK ASSEMBLY	CR 1100 MODELS
1	56009120	3	VIS 1/4 20 X 0 62	
2	56220507	13	PINCE CABLE .187 E00129	(TSBUS2005-875)
3	56206784	1	BAGUE SP626C	
4	56454718	1	DEFLECTEUR	
5	56456797	1	COLLIER DE SERRAGE	
6	56459136	1	JOINT	
7	56002395	2	VIS 5-16EME 18X0.75	
8	56002883	15	VIS 1/4 20X1 00 INOX	
9	56002896	17	VIS 10 24 X 0 62 INOX	
10	56002918	8	RONDELLE 1/2 SAE INOX	
11	56002957	1	VIS 1/4 20 X 0 7	
12	56003689	8	SCR FLT PHIL SS 5/16 18 X .75	
13	56003074	4	VIS TETE PL PHIL INOX	
14	56009005	4	VIS TYPE B 10	
15	56212236	2	ACCROCHE FLEXIBLE	
16	56304864	1	PIN SLAM LOCK	
17	56304871	1	WELDMENT PIVOT	
18	56305977	1	SONDE DE NIVEAU	(TSBUS2005-875)
19	56305054	1	JOINT	
20	56305060	1	JOINT PLAT	
21	56305202	1	PLATE TETHER COVER	
22	56900737	15	RONDELLE ETANCHEITE B935	
23	56305834	1	JOINT	
24	56305352	1	GRILLE	
25	56305824	1	PLATE SEAL VACUUM	
26	56305457	2	CLIP	
27	56305523	1	TANK RECOVERY 60 GAL	
28	56305548	1	LID RECOVERY TANK 60 GAL	
29	56381927	1	FLEXIBLE DE VIDANGE EAU SALE	
29	56601410	1	RALLONGE DE FLEXIBLE DE VIDANGE	OPTIONAL
29	56601411	1	KIT BOUCHON CPLT DE FLEXI	Not Shown
30	56305630	1	STANDPIPE WELDMENT LEFT	
31	56305632	1	STANDPIPE WELDMENT RIGHT	
32	56305642	1	SUPPORT ARM	
33	56305644	1	PROP SUPPORT WELDMENT	
34	56307219	1	JOINT DE CUVE	(TSBUS2006-920)

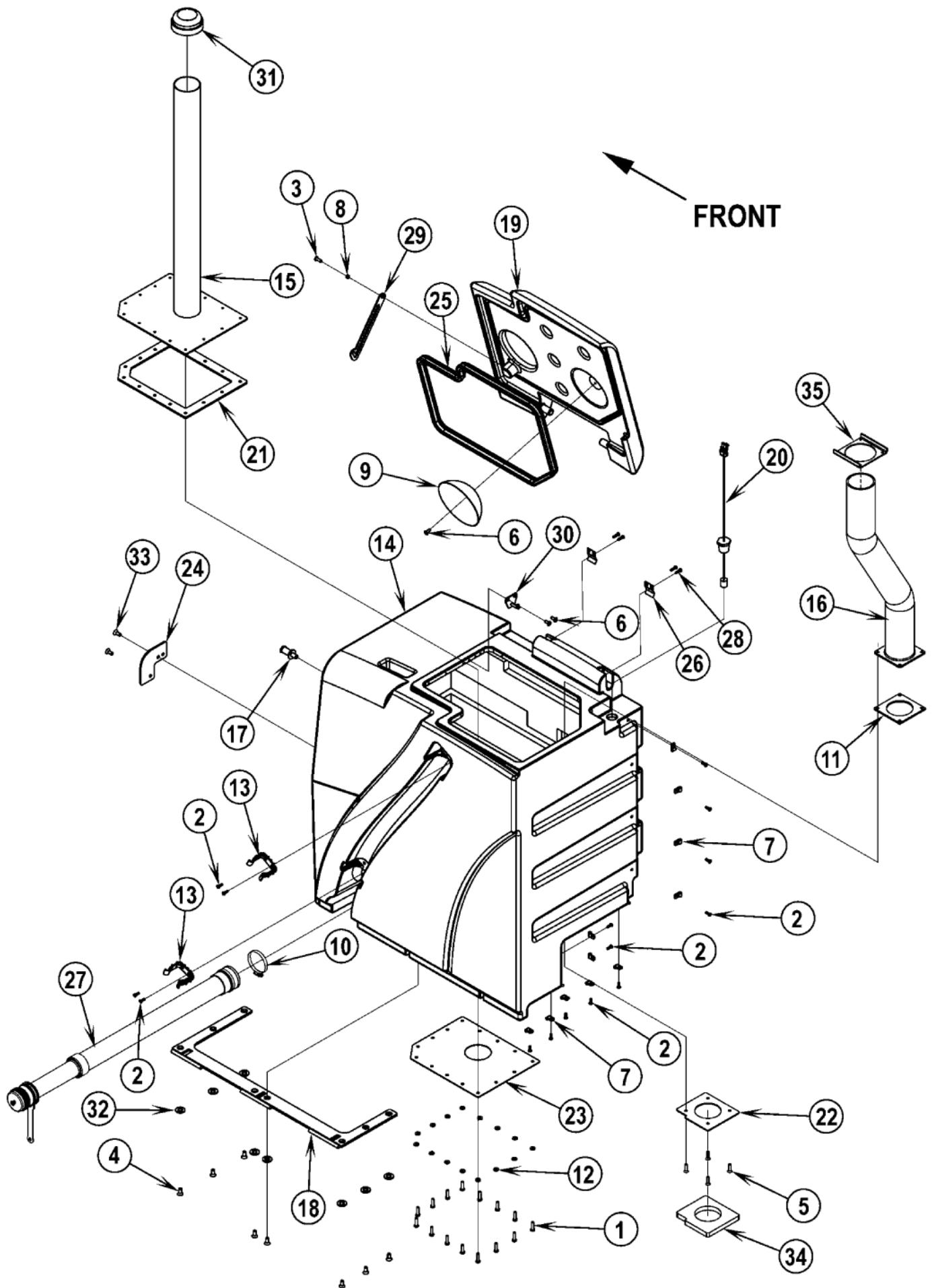
Recovery tank assembly (CR 1200 and 1400 Mod

CR 1100/1200/1400

16-02-2015

ID Liste de pièces
E143139

45



Recovery tank assembly (CR 1200 and 1400 Mod)

CR 1100/1200/1400

16-02-2015

ID Liste de pièces
E143139

46

Pos	Réf. Pièce	Qté	Description	
0	56305063	1	RESERVOIR CPLT	CR 1200 and CR 1400 MODELS
0	56478246	2	RACC CABLE	Not shown
1	56002883	15	VIS 1/4 20X1 00 INOX	
2	56002896	15	VIS 10 24 X 0 62 INOX	
3	56002957	1	VIS 1/4 20 X 0 7	
4	56003689	8	SCR FLT PHIL SS 5/16 18 X .75	
5	56003742	4	VIS 1/4 20X1.25 SS	
6	56009120	3	VIS 1/4 20 X 0 62	
7	56220507	11	PINCE CABLE .187 E00129	(TSBUS2005-875)
8	56206784	1	BAGUE SP626C	
9	56454718	1	DEFLECTEUR	
10	56456797	1	COLLIER DE SERRAGE	
11	56459136	1	JOINT	
12	56900737	15	RONDELLE ETANCHEITE B935	
13	56212236	2	ACCROCHE FLEXIBLE	
15	56304648	1	TUBE DE RESERVOIR	
16	56109530	1	STANDPIPE RIGHT	
17	56304864	1	PIN SLAM LOCK	
18	56304871	1	WELDMENT PIVOT	
20	56305977	1	SONDE DE NIVEAU	(S8) (TSBUS2005-875)
21	56305054	1	JOINT	
22	56305060	1	JOINT PLAT	
23	56305061	1	PLAQUE JOINT D ASPIRATION	
24	56305202	1	PLATE TETHER COVER	
25	56305203	1	JOINT	
26	56305457	2	CLIP	
27	56383259	1	FLEXIBLE VIDANGE	
27	56601410	1	RALLONGE DE FLEXIBLE DE VIDANGE	OPTIONAL, not included
27	56601411	1	KIT BOUCHON CPLT DE FLEXI	Not Shown
28	56009005	4	VIS TYPE B 10	
29	56305236	1	GLISSIERE DE CAPOT	
30	56305247	1	WELDMENT SUPPORT	
31	56305352	1	GRILLE	
32	56002918	8	RONDELLE 1/2 SAE INOX	
33	56002395	2	VIS 5-16EME 18X0.75	
34	56307219	1	JOINT DE CUVE	(TSBUS2006-920)
35	56109532	1	PLATE STANDPIPE	

NOTE 1 = If you need to replace an old stainless steel standpipe (56304653) please order Standpipe Kit 56109569.

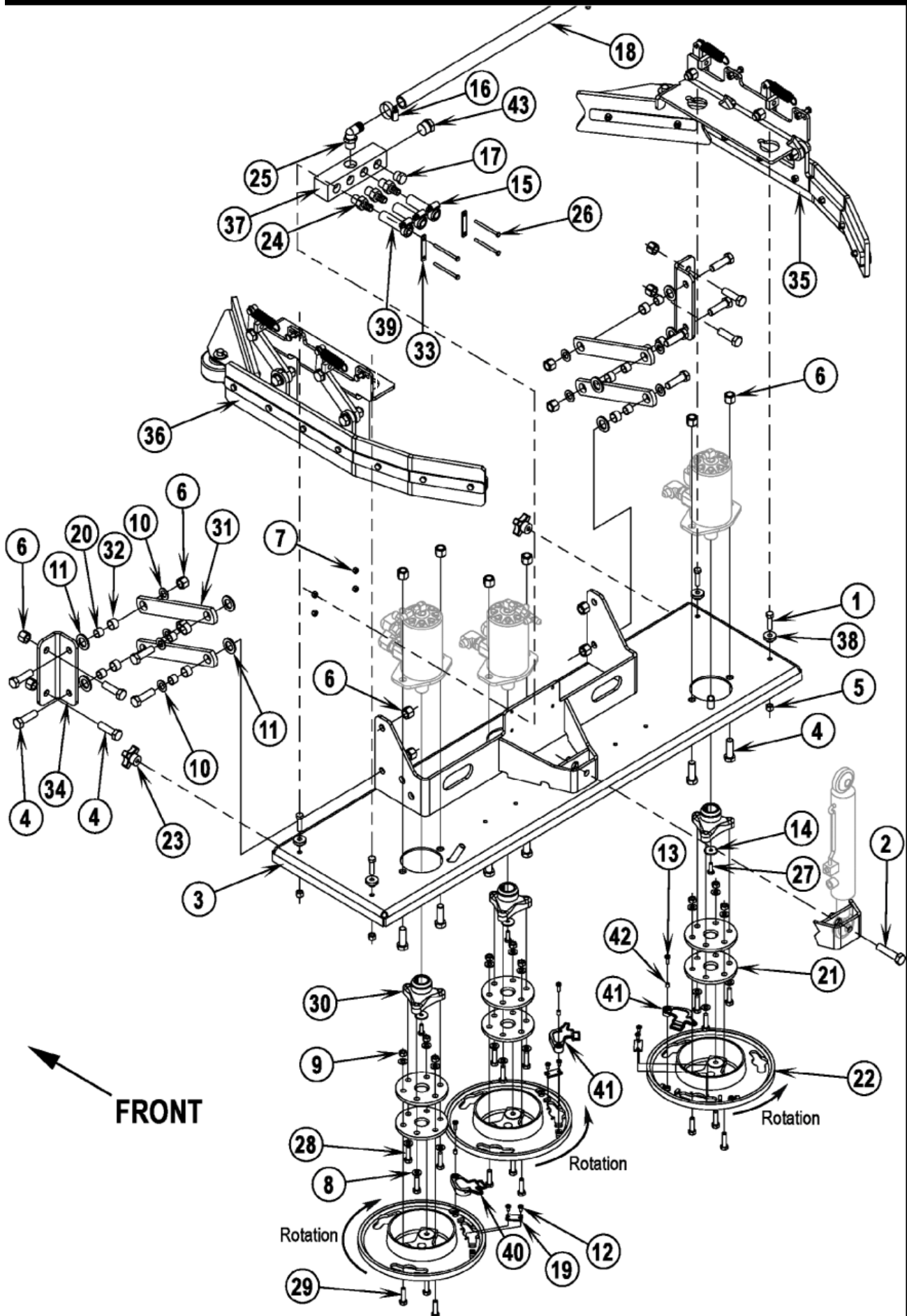
Scrub system (CR 1100 and 1200 Models) - Main

CR 1100/1200/1400

16-02-2015

ID Liste de pièces
E143141

47



Scrub system (CR 1100 and 1200 Models) - Main

CR 1100/1200/1400

16-02-2015

ID Liste de pièces
E143141

48

Pos	Réf. Pièce	Qté	Description	
0	56477613	2	RACC CABLE	Not shown
1	56001834	4	VIS 6 PANS 5/16 18X1 25	
2	56001920	1	BOULON 1/2 13X2.25	
3	56305471	1	SUPPORT 48	CR 1200 models
3	56305937	1	4300 DECK WELDMENT - PAINTED	CR 1100 models
4	56001995	18	VIS 1/2 13X1.75	
5	56002701	4	VIS 5/16 18 X 62	
6	56002770	18	ECROU 1/2 13	
7	56002836	4	NUT HEX NYL LOC SS 10-24	
8	56002938	18	RONDELLE PLATE INOX 5/16EME	
9	56003405	9	ECROU M 8 1 25	
A	56505195	1	CENTREUR DE DISQUE	for 56505940 - Not shown
A	56505940	3	PLATEAU SUPPORT DISQUE	Optional
A	56505941	3	BROSSE DURE MAGNAGRIT 46	Optional
A	56505942	3	BROSSE DURE DYNATGRIT 80	Optional
A	56505943	3	BROSSE NYLON GRISE GRIT500	Optional
A	56505944	3	BROSSE NOIRE PROLENE	Optional
A	56505945	3	BROSSE PROLITE	Optional
A	56505946	3	BROSSE CRINVEGETAUX UNION	Optional
A	56505947	3	BROSSE MIDGRIT 240	Optional
A	56505948	3	BROSSE MIDGRIT 180	STD - Optional
B	56505195	1	CENTREUR DE DISQUE	for 56505780 - Not shown
B	56505780	3	PLATEAU PORTE DISQUE	Optional
B	56505781	3	BROSSE MAGNA GRIT 46	Optional
B	56505782	3	BROSSE DYNA GRIT 80	Optional
B	56505783	3	BROSSE AGLITE GRIT 500	Optional
B	56505784	3	BROSSE PROLENE	Optional
B	56505785	3	BROSSE PROLITE	Optional
B	56505786	3	BROSSE UNION MIX	Optional
B	56505787	3	BROSSE MIDGRIT 240	Optional
B	56505788	3	BROSSE MIDLITE GRIT 180	STD - Optional
10	56009017	8	LAQUE DE SUPPORT 1/2	
11	56009022	8	RONDELLE PL ZINC 754 CV3	
12	56009030	6	VIS TETE PLATE CRUCIFORME	
13	56009100	3	VIS SANS TETE BLK 10 24	
14	56009060	3	RONDELLE FLT S S	
15	56112771	3	FIXATION TUYAU SAE 10 E0	
16	56244969	2	FIXATION TUYAU SAE 12 E00	
17	56305547	1	BOUCHON E00040	
18	56305591	1	HOSE SPIRAL .750 E00605	
19	56366455	3	PLAQUE DE MAINTIENT	
20	56367206	8	ENTRETOISE	

NOTE: See Hydraulic System Parts List form number 56042445 for hydraulic motor assemblies.

Pos A= CR 1100 Scrub Brushes

Scrub system (CR 1100 and 1200 Models) - Main

CR 1100/1200/1400

16-02-2015

ID Liste de pièces
E143141

49

Pos	Réf. Pièce	Qté	Description	
21	56383238	6	DISQUE AMORTISSEUR	
22	56314030	3	SUPPORT DE BROSSE	
23	56407303	2	MOLETTE DE SERRAGE	
24	56412184	3	RACCORD	
25	56305545	1	ADAPTATEUR MALE 90 E00037	
26	56003131	4	VIS HEX SS 10-24 X 2.50	
27	56003221	3	VIS HEX SS 1/4 20X.75	
28	56003278	9	VIS M 8 1 25 X 30MM	
29	56003639	9	VIS M 8 125 X 30 MM	
30	56304077	3	MOYEU DE GUIDAGE	
31	56305467	4	ARTICULATION 19CM	
32	56304586	8	ENTRETOISE 0 75X 625X0 50	
33	56304601	2	PLATE	
34	56304605	2	MOUTURE CHASSIS PLATEAU	
35	56304988	1	JUPE LATERALE DROITE CPLT	
36	56304998	1	JUPE LATERALE GAUCHE CPLT	
37	56305090	1	REPARTISSEUR D EAU	
38	56305258	4	MOUNTING LUGS	
39	56305345	3	HOSE PUSH LOCK 20	CR 1200 models
39	56305861	3	HOSE PUSH LOCK 17.5	CR 1100 models
40	56305543	1	VERROUIL BROSSE DROITE	
41	56305515	2	VERROUILLAGE DE BROSSE	
42	56369004	3	BAGUE CV 82J	
43	56305464	1	BOUCHON E00040	

NOTE: See Hydraulic System Parts List form number 56042445 for hydraulic motor assemblies.

Pos A= CR 1100 Scrub Brushes

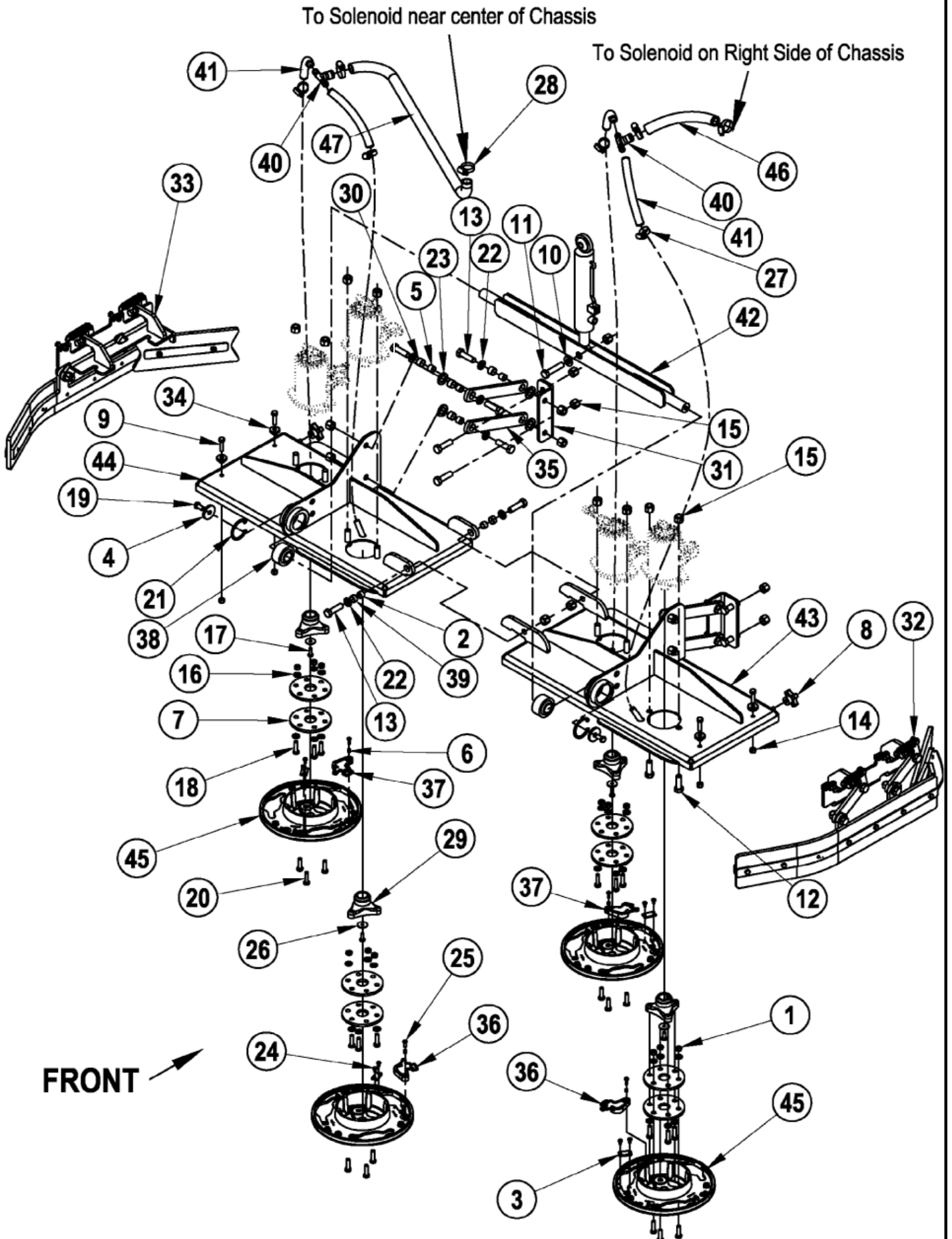
Scrub system (CR 1400 Models) - Main Parts

CR 1100/1200/1400

16-02-2015

ID Liste de pièces
E143143

50



Scrub system (CR 1400 Models) - Main Parts

CR 1100/1200/1400

16-02-2015

ID Liste de pièces
E143143

51

Pos	Réf. Pièce	Qté	Description
1	56003405	12	ECROU M 8 1 25
2	56360627	2	BAGUE 50X 62X 41CT32G
3	56366455	4	PLAQUE DE MAINTIENT
4	56367117	2	RONDELLE PLATE ACIER 40
5	56367206	8	ENTRETOISE
6	56369004	4	BAGUE CV 82J
7	56383238	8	DISQUE AMORTISSEUR
8	56407303	2	MOLETTE DE SERRAGE
9	56001834	4	VIS 6 PANS 5/16 18X1 25
A	56505195	1	CENTREUR DE DISQUE for 56505800 - Optional
A	56505800	3	PLATEAU SUPPORT DISQUE Optional
A	56505801	3	BROSSE MAGNA GRIT 46 Optional
A	56505802	3	BROSSE DYNA GRIT 80 370MM Optional
A	56505803	3	BROSSE AGLITE GRIT 500 Optional
A	56505804	3	BROSSE PROLENE 370MM Optional
A	56505805	3	BROSSE PROLITE 370 MM Optional
A	56505806	3	BROSSE FIBRES NATURELLES Optional
A	56505807	3	BROSSE MIDGRIT 240 370MM Optional
A	56505808	3	BROSSE MIDLITE GRIT 180 Optional
10	56001879	1	RONDELLE 1/2 SAE
11	56001920	1	BOULON 1/2 13X2.25
12	56001968	8	VIS 1/2 13 X 1 50
13	56001995	14	VIS 1/2 13X1.75
14	56002701	4	VIS 5/16 18 X 62
15	56002770	23	ECROU 1/2 13
16	56002938	24	RONDELLE PLATE INOX 5/16EME
17	56003221	4	VIS HEX SS 1/4 20X.75
18	56003278	12	VIS M 8 1 25 X 30MM
19	56003335	2	VIS 5/16 EME 18 X 88
20	56003639	12	VIS M 8 125 X 30 MM
21	56003680	2	RING RET INT TYPE HO 2.125
22	56009017	10	LAQUE DE SUPPORT 1/2
23	56009022	8	RONDELLE PL ZINC 754 CV3
24	56009030	8	VIS TETE PLATE CRUCIFORME
25	56009100	4	VIS SANS TETE BLK 10 24
26	56009060	4	RONDELLE FLT S S
27	56112771	4	FIXATION TUYAU SAE 10 E0
28	56244969	4	FIXATION TUYAU SAE 12 E00
29	56304077	4	MOYEU DE GUIDAGE
30	56304586	8	ENTRETOISE 0 75X 625X0 50
31	56304605	2	MOUTURE CHASSIS PLATEAU
32	56304988	1	JUPE LATERALE DROITE CPLT
33	56304998	1	JUPE LATERALE GAUCHE CPLT

NOTE: See Hydraulic System Parts List form number 56042519 for hydraulic motor assemblies.

Pos A = CR 1400 SCRUB BRUSHES

Scrub system (CR 1400 Models) - Main Parts

CR 1100/1200/1400

16-02-2015

ID Liste de pièces
E143143

52

Pos	Réf. Pièce	Qté	Description
34	56305258	4	MOUNTING LUGS
35	56305467	4	ARTICULATION 19CM
36	56305515	2	VERROUILLAGE DE BROSSE
37	56305543	2	VERROUIL BROSSE DROITE
38	56305552	2	ROULEMENT SPHERIQUE
39	56305553	2	ROULEMENT 719 X 625X 3
40	56305760	2	T DE RACCORDEMENT 3/4 X 1/2 X 1/2
41	56305763	4	HOSE PUSH LOCK
42	56305773	1	PUSH DECK WELDMENT PTD
43	56305774	1	SUPPORT DE PLATEAU
44	56305775	1	SUPPORT PLATEAU GAUCHE
45	56314030	4	SUPPORT DE BROSSE
46	56392193	1	TUYAU SPIRAL
47	56459674	1	FLEXIBLE

NOTE: See Hydraulic System Parts List form number 56042519 for hydraulic motor assemblies.

Pos A = CR 1400 SCRUB BRUSHES

Scrub system skirt assemblies - Main Parts

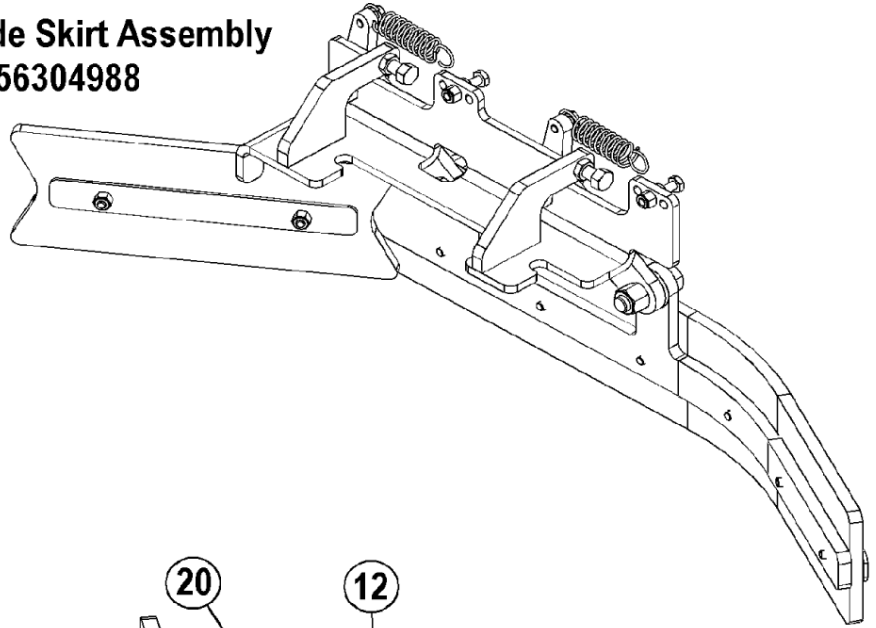
CR 1100/1200/1400

16-02-2015

ID Liste de pièces
E143145

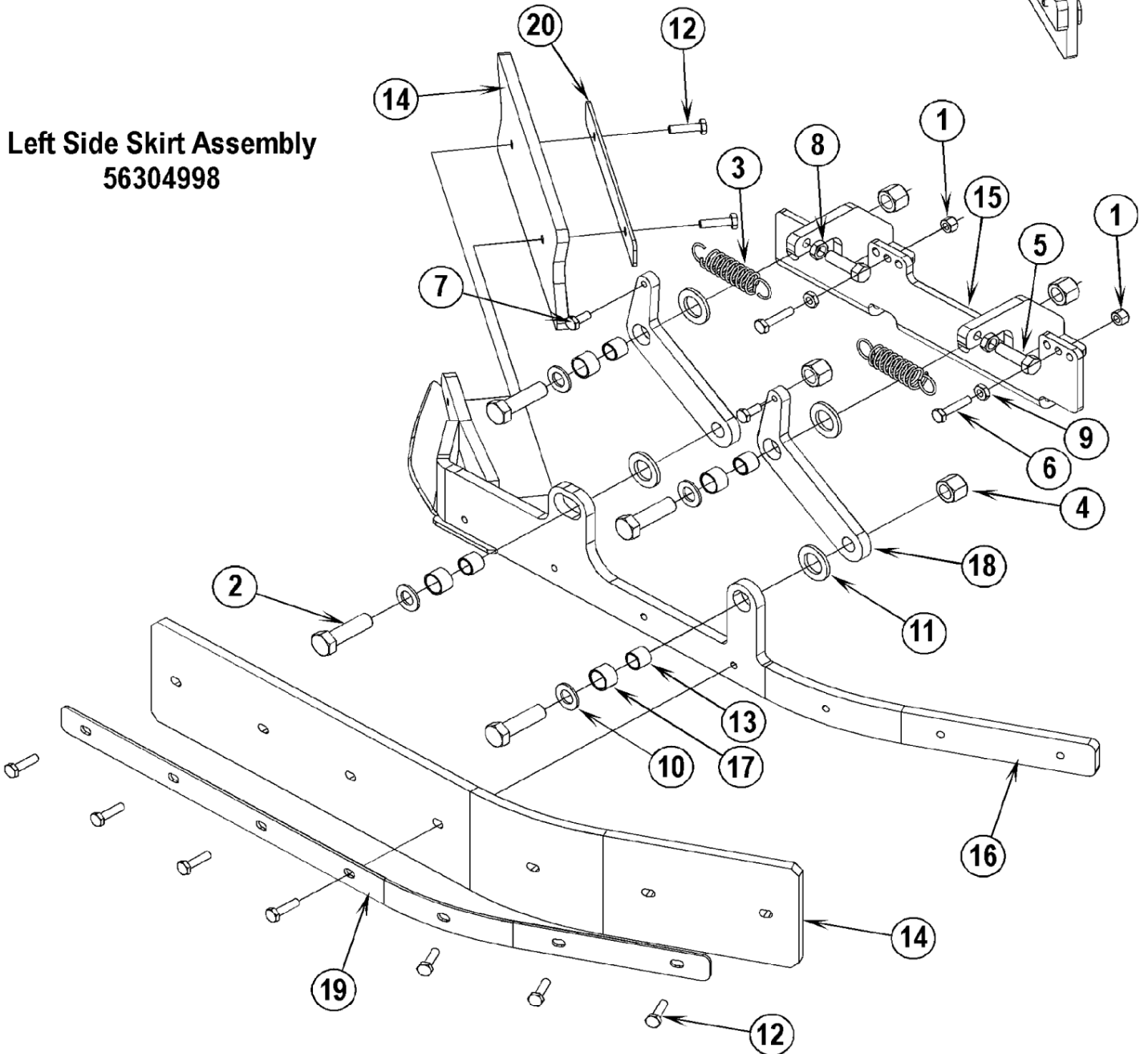
53

Right Side Skirt Assembly 56304988



←
FRONT

Left Side Skirt Assembly 56304998



Scrub system skirt assemblies - Main Parts

CR 1100/1200/1400

16-02-2015

ID Liste de pièces
E143145

54

Pos	Réf. Pièce	Qté	Description	
	56304988	1	JUPE LATERALE DROITE CPLT	
	56304998	1	JUPE LATERALE GAUCHE CPLT	
0	56305685	1	LAMELLES LATT NEOPRENE	NOTE 2 - Optional
1	56002491	2	ECROU 1/4 20	
2	56001995	4	VIS 1/2 13X1.75	
3	56305253	2	RESSORT	
4	56002770	4	ECROU 1/2 13	
5	56001858	2	VIS HEX 3/8 16 X 1.25	
6	56002901	2	VIS 6 PANS INOX1/4 20X1	
7	56002922	2	VIS 6PANS NLOCAGE 1/4 20X0,62	
8	56002769	2	ECROU 3/8SME X 16	
9	56003145	2	ECROU 1/4 20	
10	56009017	4	LAQUE DE SUPPORT 1/2	
11	56009022	4	RONDELLE PL ZINC 754 CV3	
12	56009054	9	VIS HEX 1/4 20X1 0	
13	56367206	4	ENTRETOISE	
14	56305697	1	KIT LAMELLE LINATEX PORTE	NOTE 2
15	56305879	1	MOUNT SIDE SKIRT SQUEEGEE WLMT	
15	56305880	1	MOUNT SIDE SKIRT SQUEEGEE WLMT	Not Shown
16	56304989	1	JOINT	Not Shown
16	56304999	1	SUPPORT LAMELLE GAUCHE	
17	56304586	4	ENTRETOISE 0 75X 625X0 50	
18	56304993	2	LEVIER	
19	56304994	1	SUPPORT	
20	56304995	1	BRIDE COURTE LAMELLE	

NOTE 1: All quantities are for ONE side skirt assembly only. There are two side skirt assemblies on the machine.

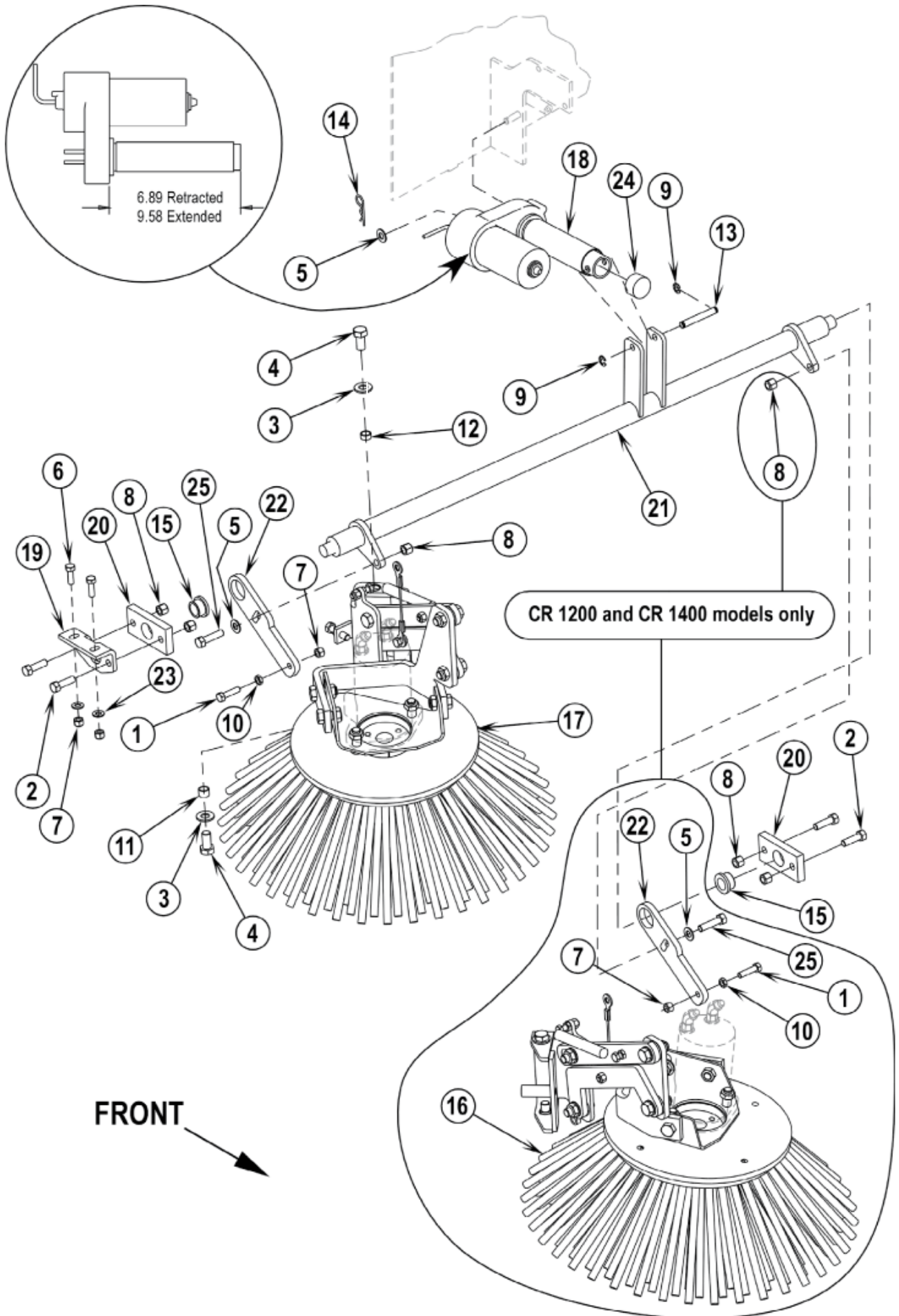
Side broom system - Main Parts

CR 1100/1200/1400

16-02-2015

ID Liste de pièces
E143147

55



Side broom system - Main Parts

CR 1100/1200/1400

16-02-2015

ID Liste de pièces
E143147

56

Pos	Réf. Pièce	Qté	Description
1	56001834	2	VIS 6 PANS 5/16 18X1 25
2	56002095	4	VIS 3/8 16X1 50 6 PANS
3	56001879	4	RONDELLE 1/2 SAE
4	56001895	4	VIS 6 PANS 1/2 13X1 00
5	56002063	3	RONDELLE PLATE 3/8SME
6	56002221	2	SCR HEX 5/16-18 X 1.00
7	56002701	4	VIS 5/16 18 X 62
8	56002769	6	ECROU 3/8SME X 16
9	56003262	2	CLIPS
10	56009086	2	ECROU 5/16 18
11	56360627	2	BAGUE 50X 62X 41CT32G
12	56365030	2	BAGUE CA334D
13	56412088	1	AXE
14	56003120	1	LAVETTE D ARRET
15	56303071	2	BAGUE
16	56304395	1	KIT BROSSE GAUCHE CPLT
17	56304400	1	KIT BROSSE DROITE CPLT
18	56305008	1	VERIN M4
19	56305080	1	SUPPORT BROSSE LATERALE
20	56305091	2	FIXATION
21	56305442	1	RENOI METAL
22	56305470	2	FIAXATION METAL NOTE 1
23	56001939	2	RONDELLE PLATE SAE 5/16
24	56305798	1	FOAM SEAL
25	56002095	2	VIS 3/8 16X1 50 6 PANS

NOTE 1: The design of this part changed. It is a direct replacement for the previous design except that it requires item 25 and item 5. It should be

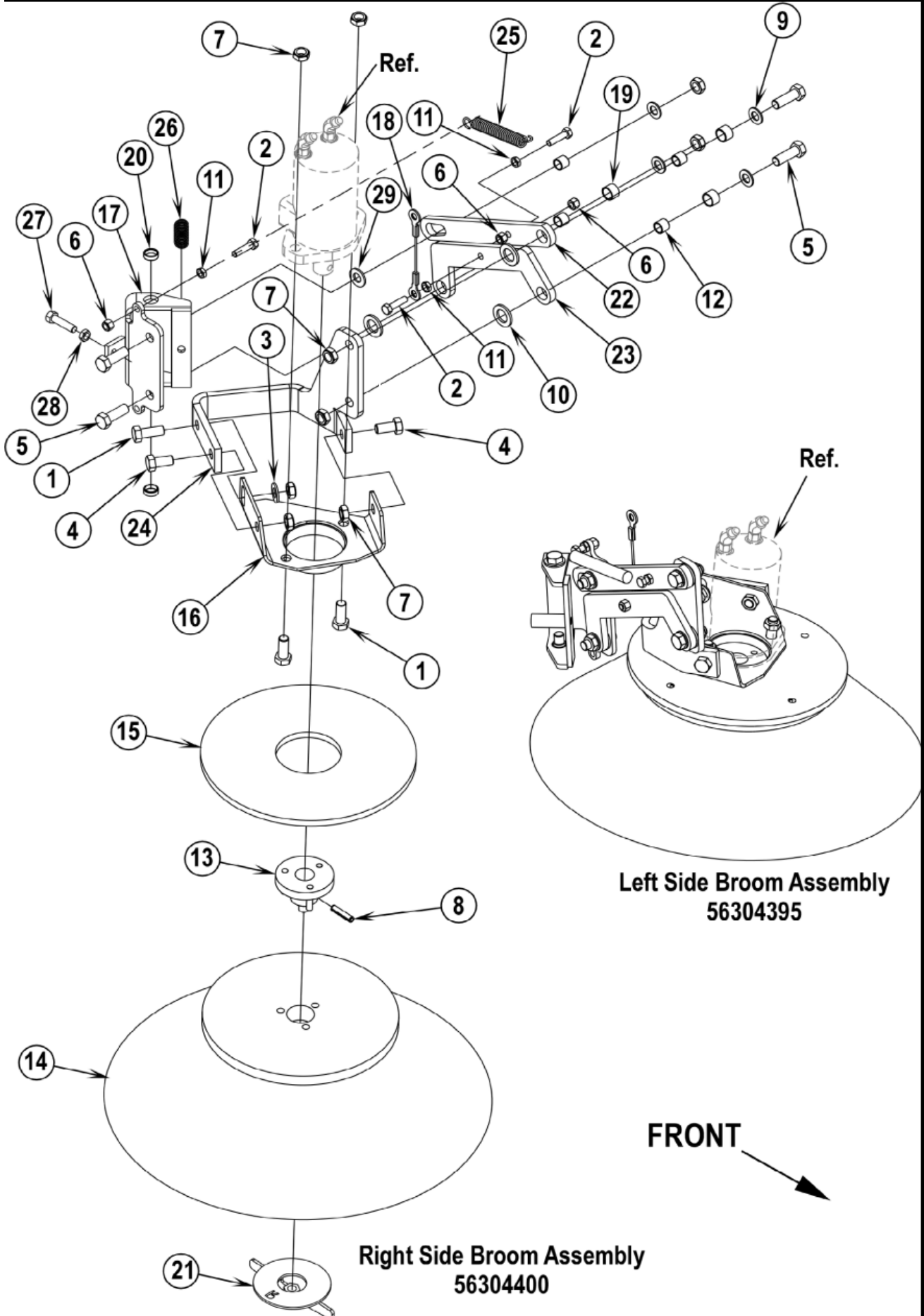
Side broom system sub-assemblies - Main Pa

CR 1100/1200/1400

16-02-2015

ID Liste de pièces
E143149

57



Side broom system sub-assemblies - Main Pair

CR 1100/1200/1400

16-02-2015

1D Liste de pièces
E143149

58

Pos	Réf. Pièce	Qté	Description	
0	56304395	1	KIT BROSSE GAUCHE CPLT	NOTE 2
0	56304400	1	KIT BROSSE DROITE CPLT	NOTE 2
1	56001831	3	VIS 1/2 13X1.25	
2	56001834	3	VIS 6 PANS 5/16 18X1 25	
3	56001879	1	RONDELLE 1/2 SAE	
4	56001895	2	VIS 6 PANS 1/2 13X1 00	
5	56001968	4	VIS 1/2 13 X 1 50	
6	56002701	3	VIS 5/16 18 X 62	
7	56002843	9	ECROU 1/2 13	
8	56003494	1	AXE 0 31 X 1 38	
9	56009017	4	LAQUE DE SUPPORT 1/2	
10	56009022	3	RONDELLE PL ZINC 754 CV3	
11	56009086	3	ECROU 5/16 18	
12	56367206	4	ENTRETOISE	
13	56305723	1	SUPPORT AXE BROSSE GAUCHE	
13	56418543	1	POSITIONEUR DE BROSSE	
14	56462252	1	BROSSE LATERALE PPL	
15	56304038	1	PROTECTION BROSSE	
16	56304039	1	SUPPORT DROIT MOTEUR	
16	56304397	1	SUPPORT GAUCHE MOTEUR	Not Shown
17	56304052	1	FIXATION METAL	
18	56304126	1	CABLE CPLT	
19	56304586	3	ENTRETOISE 0 75X 625X0 50	
20	56304893	2	ENTRETOISE 0 625X0 750	
21	56305725	1	MOLETTE	
21	56305731	1	MOLETTE	
22	56305460	1	FIXATION METAL	
23	56305462	1	FIXATION METAL	
24	56111963	1	SUPPORT MOTEUR DE BROSSE LATERALE GAUCHE	Not Shown
24	56111965	1	SUPPORT MOTEUR DE BROSSE LATERALE DROIT	
25	56448112	1	RESSORT D EXTENSION 56X4	
26	56761327	1	RESSORT 0 73 X 1 75	
27	56002747	1	VIS 3/8 16X1,50	
28	56002769	1	ECROU 3/8SME X 16	
29	56002022	1	RONDELLE PLAQUE 5/8	

NOTE: All quantities are for ONE side broom assembly only. There are two side broom assemblies on CR 1200 and CR 1400 models.

NOTE 2: These side broom assembly part numbers do not include the motor. Hydraulic motor must be ordered separately, see Hydraulic System Parts

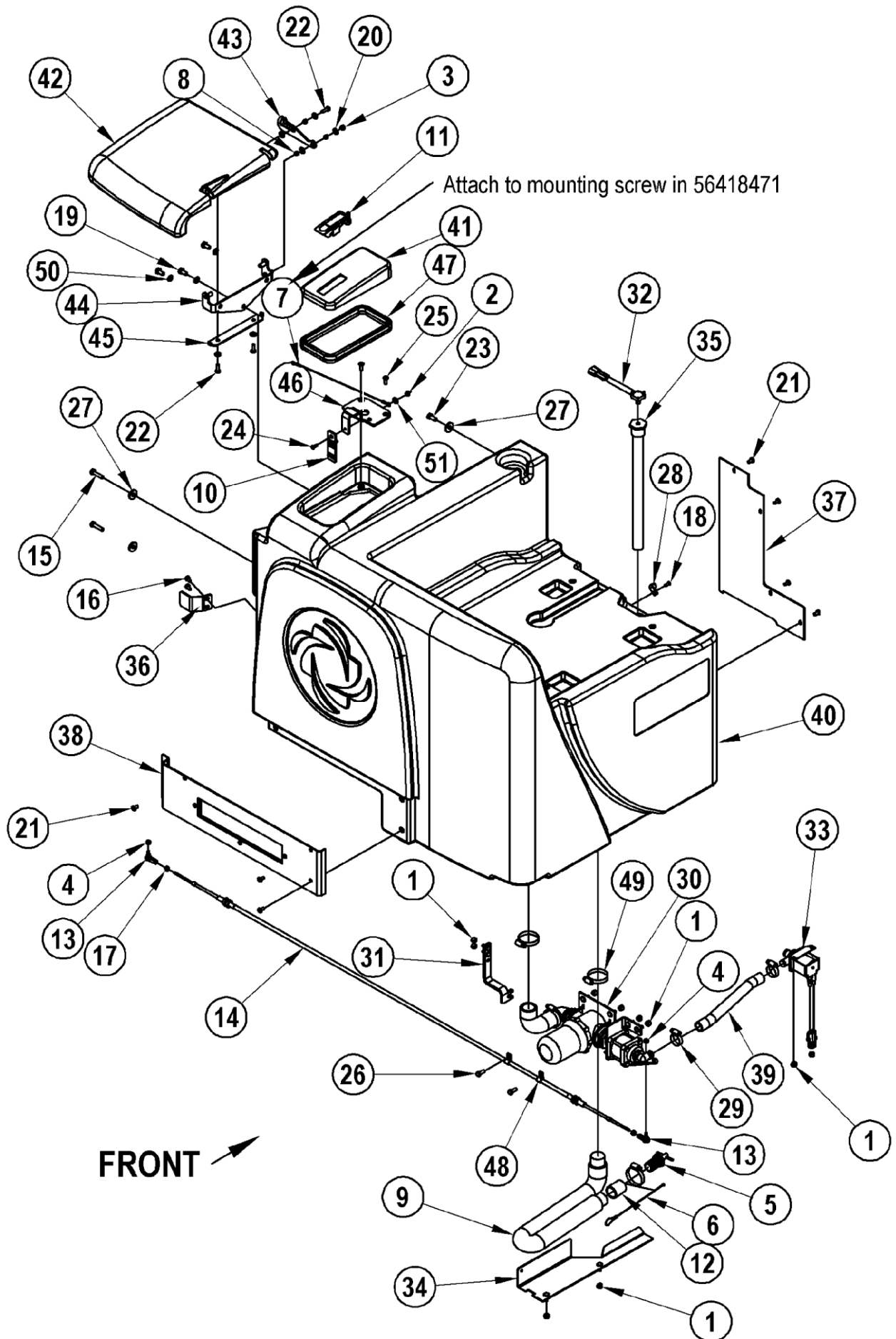
Solution system (CR 1100 Models) - Main Par

CR 1100/1200/1400

16-02-2015

ID Liste de pièces
E143151

59



Solution system (CR 1100 Models) - Main Part

CR 1100/1200/1400

16-02-2015

D Liste de pièces
E143151

60

Pos	Réf. Pièce	Qté	Description
1	56002491	10	ECROU 1/4 20
2	56002836	1	NUT HEX NYL LOC SS 10-24
3	56002840	1	VIS 1/4 20
4	56002873	2	NUT HEX NYL LOC 10-32
5	56260098	1	BOUCHON DE VIDANGE
6	56261378	1	CABLE DE RETENUE BOUCHON
7	56330391	1	CABLE DE MAINTIEN
8	56379298	3	BAGUE 25X 37X 21CR211H
9	56386035	1	TUYAU CPL
10	56412309	1	WATER LEVEL GAUGE
11	56418471	1	SYSTEME D OUVERTURE
12	56459433	1	MANCHON
13	56488290	2	EMBOUT TIGE
14	56488292	1	CABLE
15	56001834	2	VIS 6 PANS 5/16 18X1 25
16	56001854	2	VIS 6 PANS 1/4 20X.50
17	56003053	2	ECROU 10 32
18	56001993	1	VIS TETE PL PHIL 10 24X 5
19	56002035	3	VIS 5/16 18 X .62
20	56002098	4	LAQUE DE SUPPORT 1/4
21	56002145	7	VIS 1/4 20 X 0 38
22	56002155	3	VIS 1/4 20X.75
23	56002667	1	VIS 6 PANS 5/16 18X0 75
24	56002896	1	VIS 10 24 X 0 62 INOX
25	56002969	2	SCR FLT PHIL SS 1/4 20 X .75
26	56009018	2	VIS SANS TETE 1/4 20
27	56009057	3	RONDELLE 344X1 000X
28	56172017	1	SUPPORT CLIP
29	56244969	2	FIXATION TUYAU SAE 12 E00
30	56304272	1	FILTRE SOLUTION CPLT
31	56304681	1	SUPPORT DE CABLE
32	56305032	1	SONDE
33	56305103	1	ELECTROVANNE 36 V CPLT
34	56305195	1	BRACKET SOLUTION DRAIN
35	56305205	1	TUBE CPLT
36	56305226	1	TAB DOOR
37	56305227	1	COVER
38	56305243	1	CARTER ARRIERE
39	56392833	1	TUBE SPIRAL
40	56305514	1	TANK SOLUTION 60 GAL
41	56305522	1	CAPOT DE RESERVOIR 60 GAL
42	56305666	1	CORNER COVER
43	56305782	1	LID PROP

Solution system (CR 1100 Models) - Main Part

CR 1100/1200/1400

16-02-2015

D Liste de pièces
E143151

61

Pos	Réf. Pièce	Qté	Description
45	56305786	1	RETAINER
46	56305802	1	PLATE FILL VALVE
47	56305812	1	JOINT
48	56323260	2	CLAMP CABLE
49	56329145	3	FIXATION TUYAU SAE 24E000
50	56001939	3	RONDELLE PLATE SAE 5/16
51	56002916	1	RONDELLE

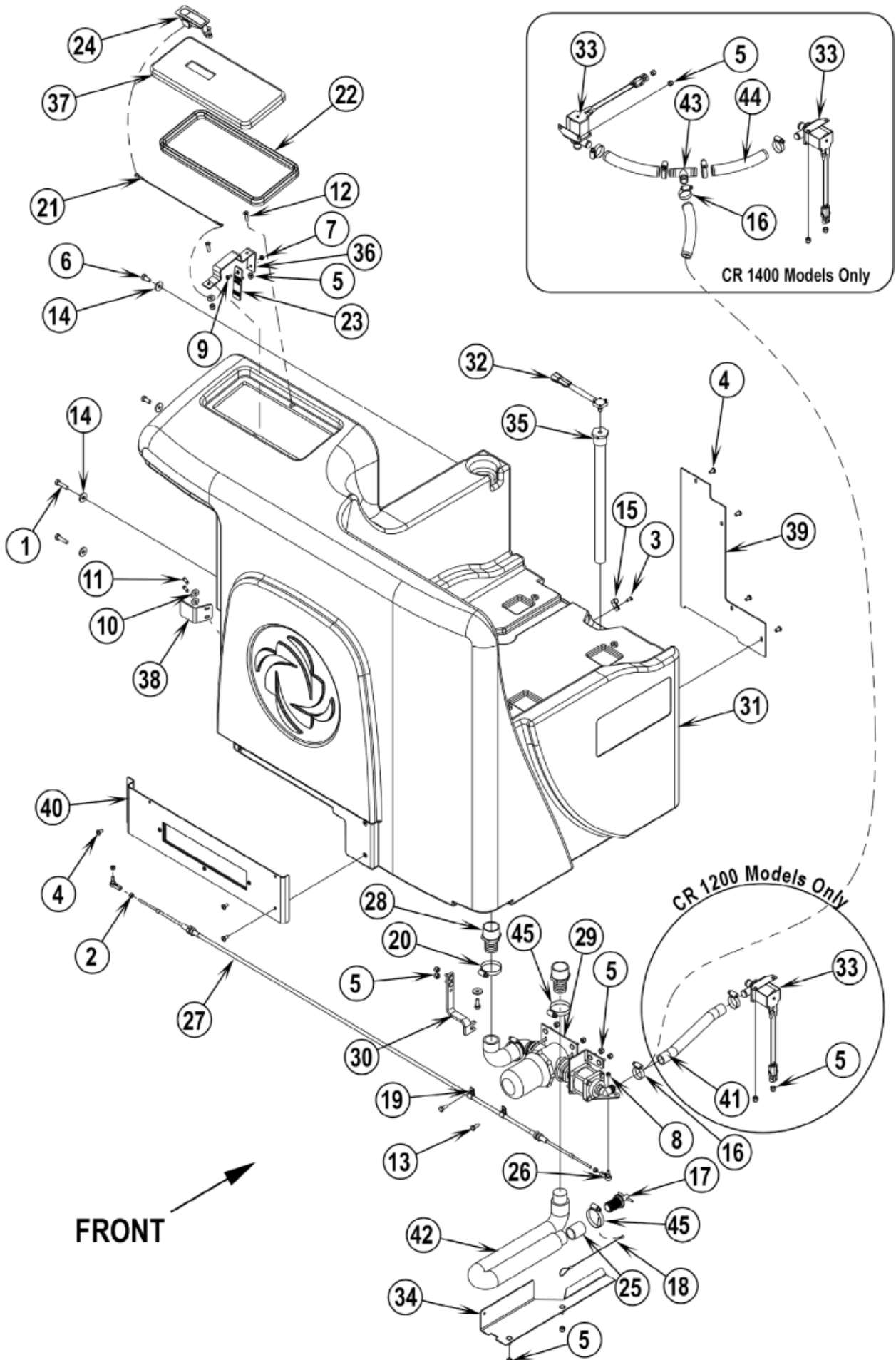
Solution system (CR 1200 and 1400 Models) - M

CR 1100/1200/1400

16-02-2015

ID Liste de pièces
E143153

62



Solution system (CR 1200 and 1400 Models) - M3

CR 1100/1200/1400

16-02-2015

ID Liste de pièces
E143153

63

Pos	Réf. Pièce	Qté	Description
1	56001834	2	VIS 6 PANS 5/16 18X1 25
2	56003053	2	ECROU 10 32
3	56001993	1	VIS TETE PL PHIL 10 24X 5
4	56002145	7	VIS 1/4 20 X 0 38
5	56002491	14	ECROU 1/4 20 CR 1200 and 1400 models
6	56002667	2	VIS 6 PANS 5/16 18X0 75
7	56002849	1	ECROU HEX NYL LOC THIN
8	56002873	2	NUT HEX NYL LOC 10-32
9	56002900	1	VIS 10 24 X
10	56002914	3	WSH FLT STD SS 1/4
11	56003047	2	SCR HEX SS 1/4-20 X .62
12	56003074	2	VIS TETE PL PHIL INOX
13	56009018	2	VIS SANS TETE 1/4 20
14	56009122	4	RONDELLE M 6
15	56172017	1	SUPPORT CLIP
16	56244969	6	FIXATION TUYAU SAE 12 E00 CR 1200 and 1400 models
17	56260098	1	BOUCHON DE VIDANGE
18	56261378	1	CABLE DE RETENUE BOUCHON
19	56323260	2	CLAMP CABLE
20	56329145	3	FIXATION TUYAU SAE 24E000
21	56330391	1	CABLE DE MAINTIEN
22	56407282	1	JOINT DE COUVERCLE BR 850
23	56412309	1	WATER LEVEL GAUGE
24	56418471	1	SYSTEME D OUVERTURE
25	56459433	1	MANCHON
26	56488290	2	EMBOUT TIGE
27	56488292	1	CABLE
28	56900910	2	RACCORD Only used before October 2003
30	56304681	1	SUPPORT DE CABLE
31	56304834	1	RESERVOIR SOLUTION CR
32	56305032	1	SONDE
33	56305103	2	ELECTROVANNE 36 V CPLT CR 1200 and 1400 models
34	56305195	1	BRACKET SOLUTION DRAIN
35	56305205	1	TUBE CPLT
36	56305206	1	PLATE LATCH
37	56305209	1	COUVERCLE RESERVOIR
38	56305226	1	TAB DOOR
39	56305227	1	COVER
40	56305243	1	CARTER ARRIERE
41	56392833	1	TUBE SPIRAL CR 1200 models
42	56305602	1	FLEXIBLE VIDANGE SOLUTION
43	56305761	1	TEE 3/4 CR 1400 models
44	56305762	3	HOSE SPIRAL E00605 CR 1400 models

Solution system (CR 1200 and 1400 Models) - Mz

CR 1100/1200/1400

16-02-2015

ID Liste de pièces
E143153

64

Pos	Réf. Pièce	Qté	Description
45	56131601	2	FIXATION TUYAU

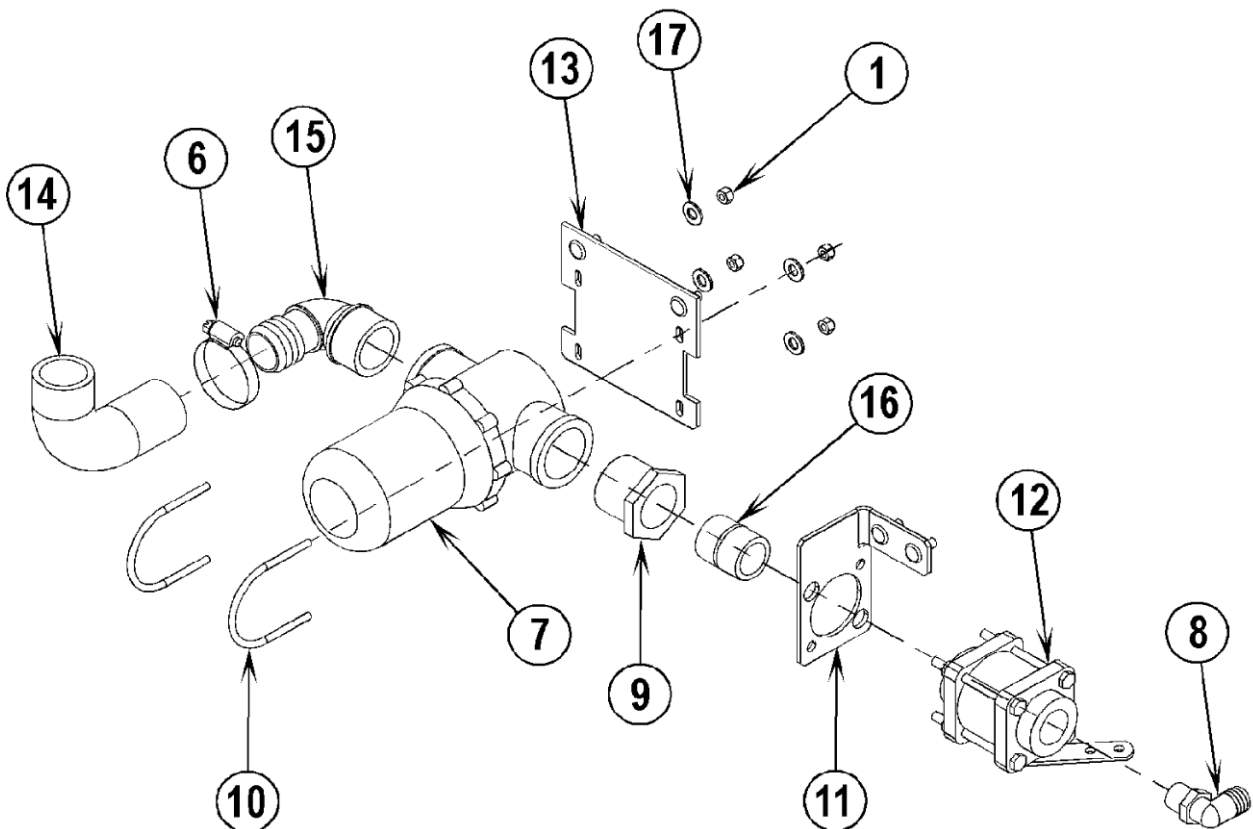
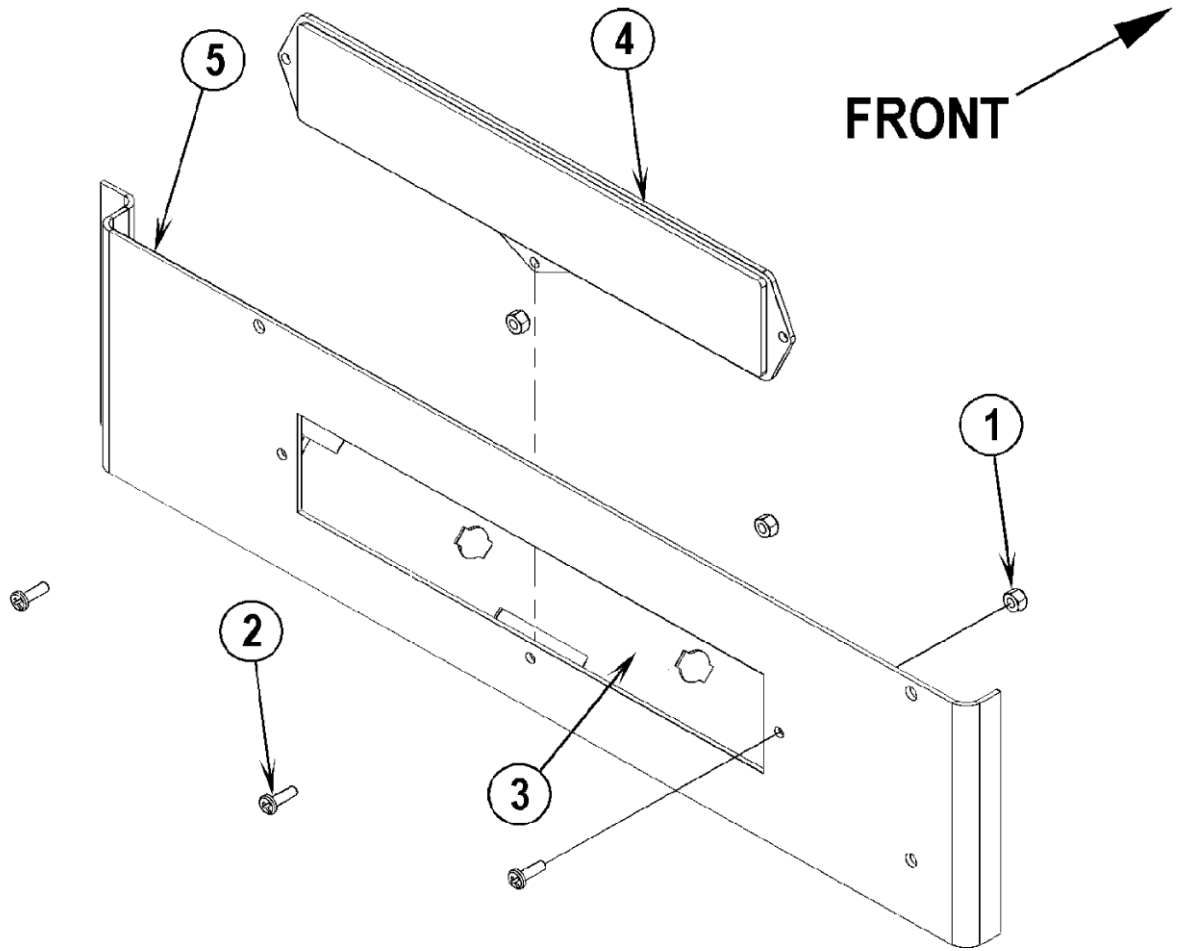
Solution system sub-assemblies - Main Part:

CR 1100/1200/1400

16-02-2015

ID Liste de pièces
E143155

65



Solution system sub-assemblies - Main Parts

CR 1100/1200/1400

16-02-2015

ID Liste de pièces
E143155

66

Pos	Réf. Pièce	Qté	Description	
0	56304272	1	FILTRE SOLUTION CPLT	1 and 6-17
0	56305243	1	CARTER ARRIERE	1-5
1	56002832	7	ECROU	
2	56009100	3	VIS SANS TETE BLK 10 24	
3	56016097	1	DECAL REFLECTIVE	
4	56416418	1	PLAQUE	
5	56304706	1	DOOR WELDMENT REAR	
6	56329145	1	FIXATION TUYAU SAE 24E000	
7	56455838	1	FILTRE BR850	Not Shown
7	56456241	1	FILTRE EAU PROPRE	
8	56456802	1	COUDE M/F 3/4X3/4	
9	56459825	1	REDUCTEUR	
10	56459830	2	MAINTIENT DE FILTRE	
11	56304260	1	BRACKET	
12	56304275	1	VANNE D ARRET + POIGNEE	
13	56305114	1	BRACKET FILTER	
14	56305319	1	HOSE RADIATOR	
15	56900913	1	COUDE MALE/FEMELLE	
16	56900914	1	RACCORD	
17	56001954	4	ONDELLE	

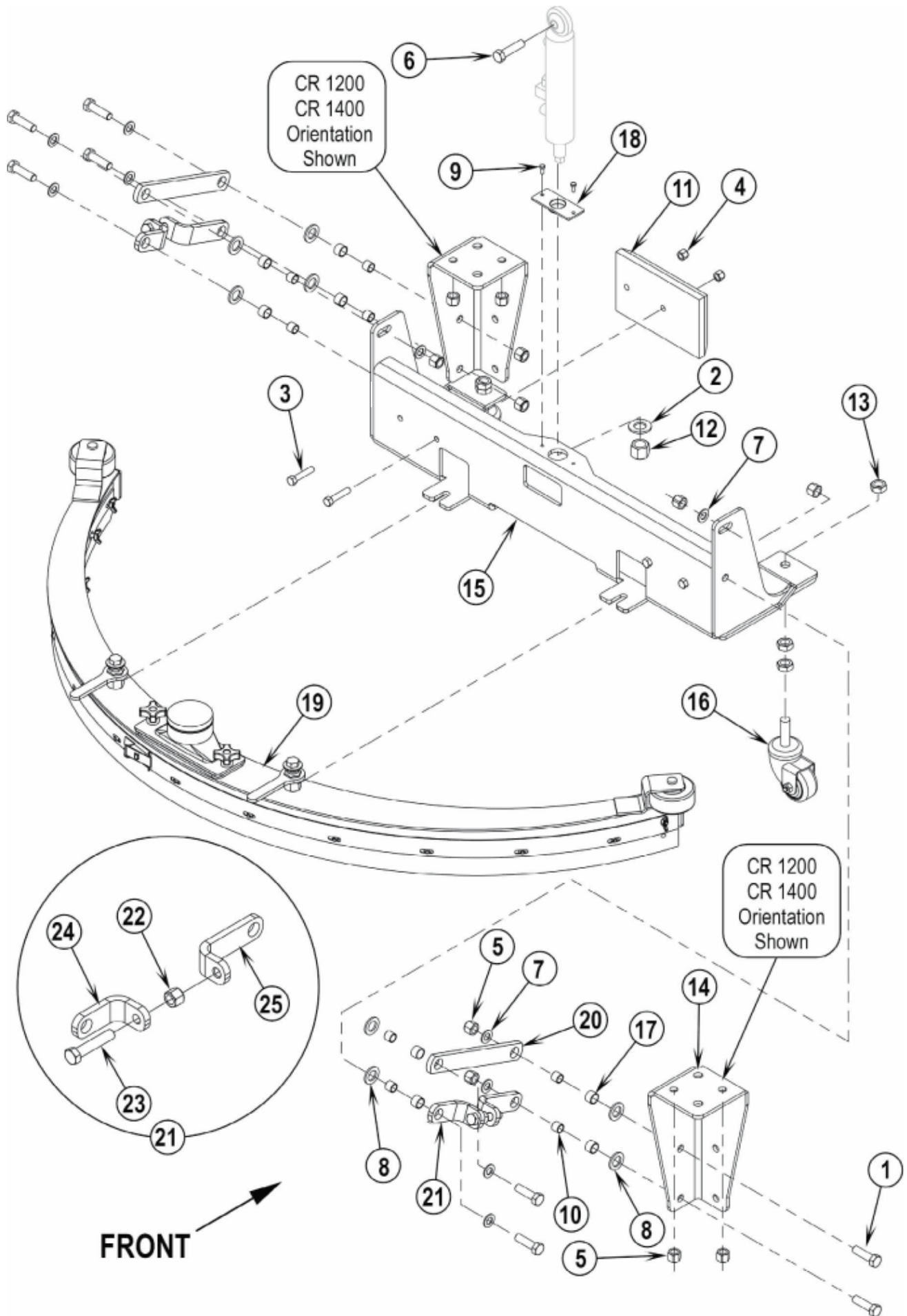
Squeegee system - Main Parts

CR 1100/1200/1400

16-02-2015

ID Liste de pièces
E143156

67



Squeegee system - Main Parts

CR 1100/1200/1400

16-02-2015

ID Liste de pièces
E143156

68

Pos	Réf. Pièce	Qté	Description	
1	56001995	8	VIS 1/2 13X1.75	
2	56002141	1	RONDELLE FLT SAE 3/4	
3	56002684	4	VIS 3/8 EME 16 X 1 3/4	
4	56002769	4	ECROU 3/8SME X 16	
5	56002770	12	ECROU 1/2 13	
6	56002983	1	VIS 1/2 13 X 2 00	
7	56009017	10	LAQUE DE SUPPORT 1/2	
8	56009022	8	RONDELLE PL ZINC 754 CV3	
9	56009039	2	VIS HEX THD FORM 10 24X 5	
10	56367206	8	ENTRETOISE	
11	56453907	2	POIDS DE LESTAGE	
12	56003212	1	ECROU 3/4 1	
13	56003272	6	ECROU 5/8 11	
14	56304157	2	EQUERRE	
15	56304172	1	SUPPORT EMBOUCHURE	
16	56304266	2	ROUE PIVOTANTE SUPPORT	
17	56304586	8	ENTRETOISE 0 75X 625X0 50	
18	56304590	1	MAINTIEN EMBOUCHURE	
19	56304944	1	EMBOUCHURE COMPLETE	CR 1100
19	56304954	1	EMBOUCHURE CR 1200	CR 1200
19	56305117	1	EMBOUCHURE COMPLETE 54	CR 1400
20	56305467	2	ARTICULATION 19CM	
21	56305610	2	KIT EQUERRE	22-25
22	56002773	2	ECROU 1/2 20	
23	56003672	2	VIS 1/2 20X2 50 GR8	
24	56305608	2	BRAS AJUSTABLE	
25	56305609	2	EQUERRE DE REGLAGE EMBOUCHURE	

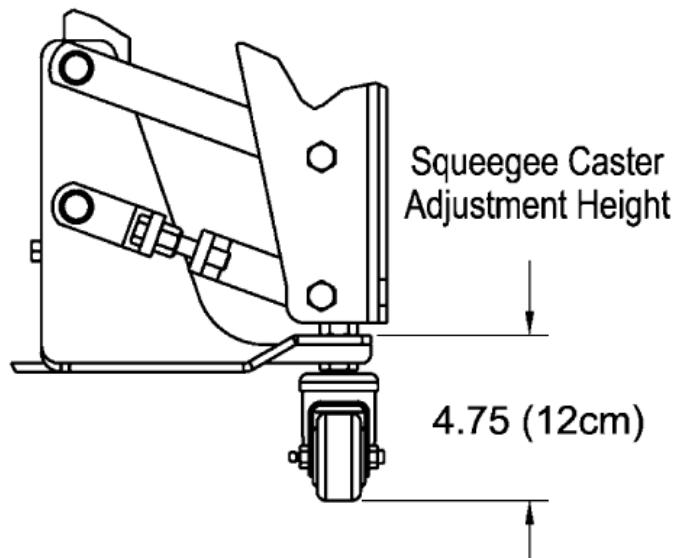
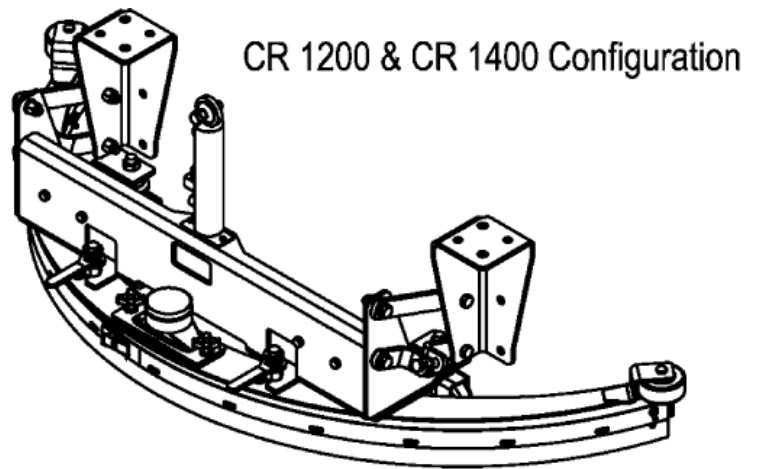
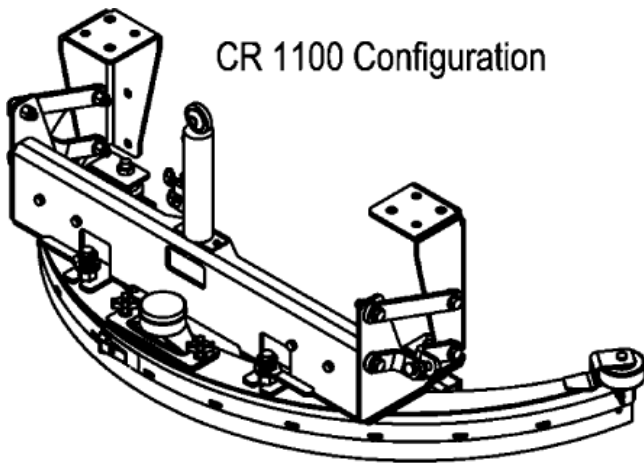
Squeegee system - Main Parts

CR 1100/1200/1400

16-02-2015

ID Liste de pièces
E143157

69



Squeegee system - Main Parts

CR 1100/1200/1400

16-02-2015

ID Liste de pièces
E143157

70

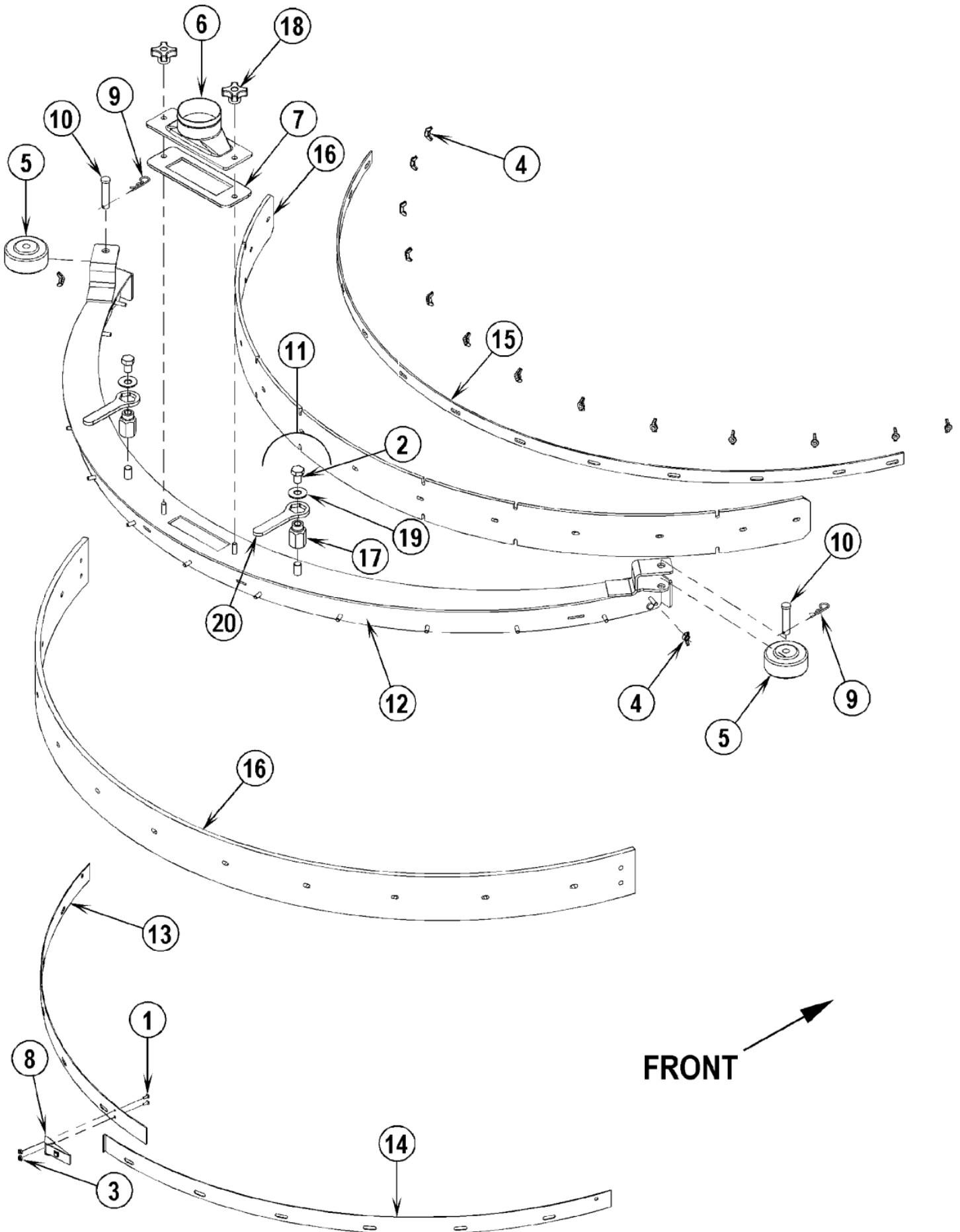
Squeegee assembly - Main Parts

CR 1100/1200/1400

16-02-2015

ID Liste de pièces
E143159

71



Squeegee assembly - Main Parts

CR 1100/1200/1400

16-02-2015

ID Liste de pièces
E143159

72

Pos	Réf. Pièce	Qté	Description	
0	56304944	1	EMBOUCHURE COMPLETE	CR 1100
0	56304954	1	EMBOUCHURE CR 1200	CR 1200
0	56305117	1	EMBOUCHURE COMPLETE 54	CR 1400
0	56305682	1	KIT LAM NEOPRENE CR 1200	CR 1200 - NOTE 1 - Optional
0	56305693	1	KIT LAM NEOPRENE CR 1100	CR 1100 - NOTE 1 - Optional
0	56305694	1	KIT LAM NEOPRENE CR1400	CR 1400 - NOTE 1 - Optional
0	56307180	1	POLYURET SQUEEGEE BLADE 43 KIT	CR 1100 - NOTE 1 - Optional
0	56307183	1	POLYURET SQUEEGEE BLADE 48 KIT	CR 1200 - NOTE 1 - Optional
0	56307186	1	POLYURET SQUEEGEE BLADE 54 KIT	CR 1400 - NOTE 1 - Optional
1	56002909	2	VIS TETE PL PHIL INOX6 3	
2	56003032	2	VIS/ECROU 1/2 13 X 0	
3	56002964	2	ECROU 6/32SME	
4	56009048	15	ECROU 1/4 20	
5	56386127	2	ROUE 3 00X1 25 CL415	
6	56305373	1	FIXATION EMBOUCHURE	
7	56459281	1	JOINT ADMISSION	
8	56471194	1	VEROULLAGE DE FERMETURE	
9	56003120	2	LAVETTE D ARRET	
10	56003620	2	AXE 0 5 X 2 25	
11	56305616	2	FIXATION EMBOUCHURE	2, 17 and 19-20
12	56304937	1	CORPS EMBOUCHURE 43 POUCES	CR 1100
12	56304953	1	EMBOUCHURE NUE 48	CR 1200
12	56305118	1	EMBOUCHURE NUE 54	CR 1400
13	56304962	1	MAINTIENT LAM AR GAUCHE	CR 1200
13	56305123	1	FIXATION ARRIERE GAUCHE	CR 1400
13	56305808	1	BARRE GAUCHE MAINTIEN DE LAMELLE AR.43	CR 1100
14	56304963	1	MAINTIENT LAM AR DROIT	CR 1200
14	56305124	1	FIXATION ARRIERE DROITE	CR 1400
14	56305807	1	BARRE DROITE MAINTIEN DE LAMELLE AR.43	CR 1100
15	56304964	1	MAINTIENT LAM AV CR 1200	CR 1200
15	56305125	1	BARRE DE MAINTIEN LAMELLE AVANT	CR 1400
15	56305806	1	BARRE DE MAINTIEN DE LAMELLE AVANT	CR 1100
16	56305686	1	KIT LAM LINATEX CR 1200	CR 1200
16	56305695	1	KIT LAM LINATEX CR1100	CR 1100
16	56305696	1	KIT LAM LINATEX CR1400	CR 1400
17	56305615	2	ECROU POUR MANIVELLE	
18	56407510	2	MOLETTE 5/16-18 NYLON	
19	56002168	2	ONDELLE	
20	56305614	2	CLEF DE SERRAGE	

NOTE 1: All squeegee blade kits include both front and rear squeegee blades.

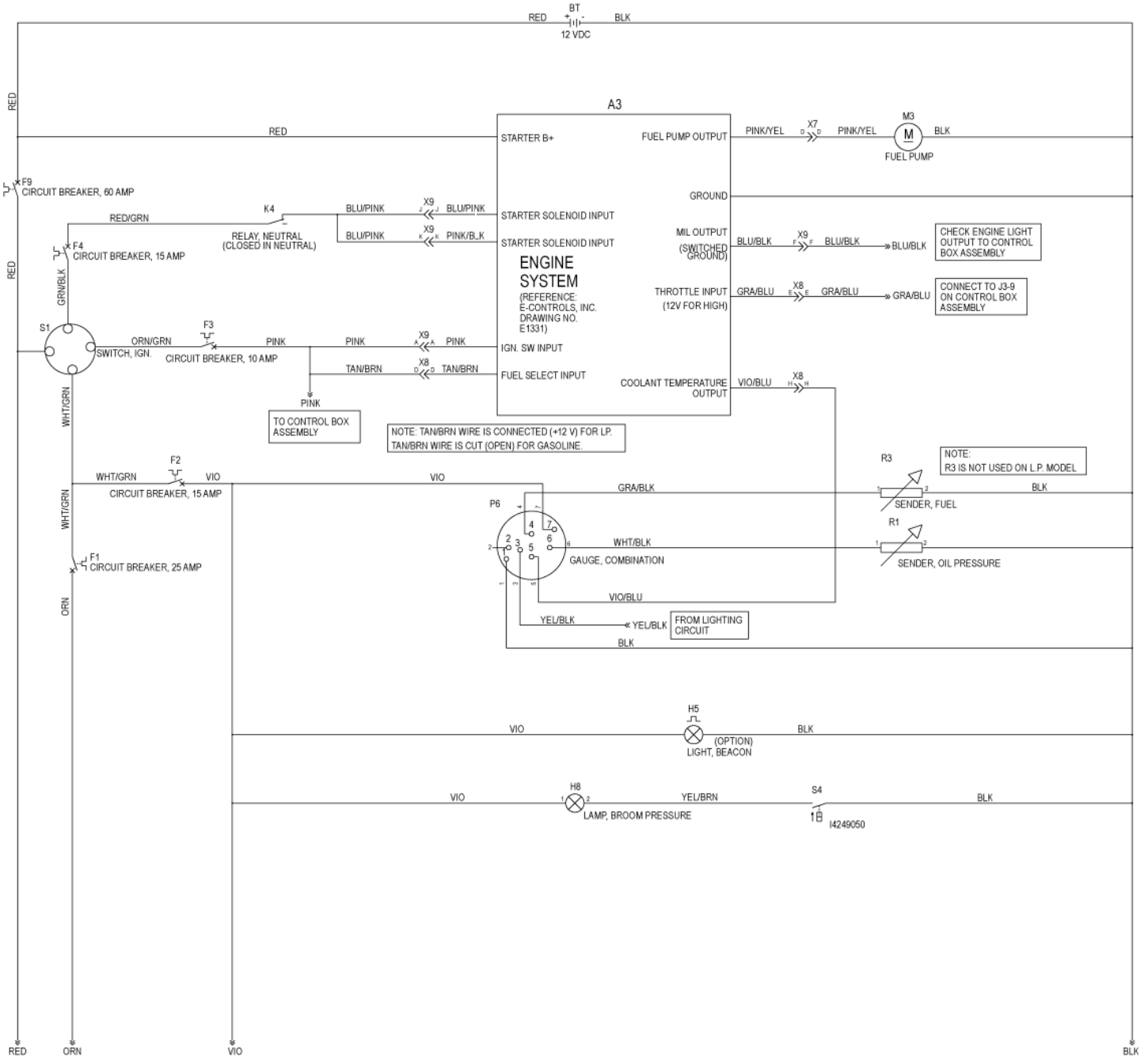
Wiring diagram-1 (Gasoline/Petrol / LPG-56304X)

CR 1100/1200/1400

16-02-2015

ID Liste de pièces
E143161

73



Wiring diagram-1 (Gasoline/Petrol / LPG-56304X)

CR 1100/1200/1400

16-02-2015

ID Liste de pièces
E143161

74

Pos	Réf. Pièce	Qté	Description	
A3		1	NOTE COMMENT	Engine System
BT	56380449	1	BATTERIE DE DEMARRAGE ACIDE 12V 45AH	
F1	56469788	1	DISJONCTEUR 25 0	
F2	56454538	1	DISJONCTEUR 15A	
F3	56387316	1	DISJONCTEUR 10A	
F4	56454538	1	DISJONCTEUR 15A	
F9	56263260	1	DISJONCTEUR 60 A	
H8	56305660	1	VOYANT ROUGE	
K4	56418387	1	RELAIS OUVERTURE DE	
M3	56305062	1	POMPE CARBURANT POUR GASOIL - ESSENCE	Petrol
P6	56304569	1	INDICATEUR NIVEAU 4 EN 1	Petrol
P6	56304589	1	JAUGE	LPG
R1	56305619	1	DISTRIBUTEUR	
R3	56455567	1	JAUGE ELECTRIQUE FUEL	
S1	56418685	1	INTERRUPTEUR ALLUMAGE	
S1	56419123	1	CLEF DE CONTACT SR 1800	Not Shown
S4	56305618	1	CONTACT PRESSION	

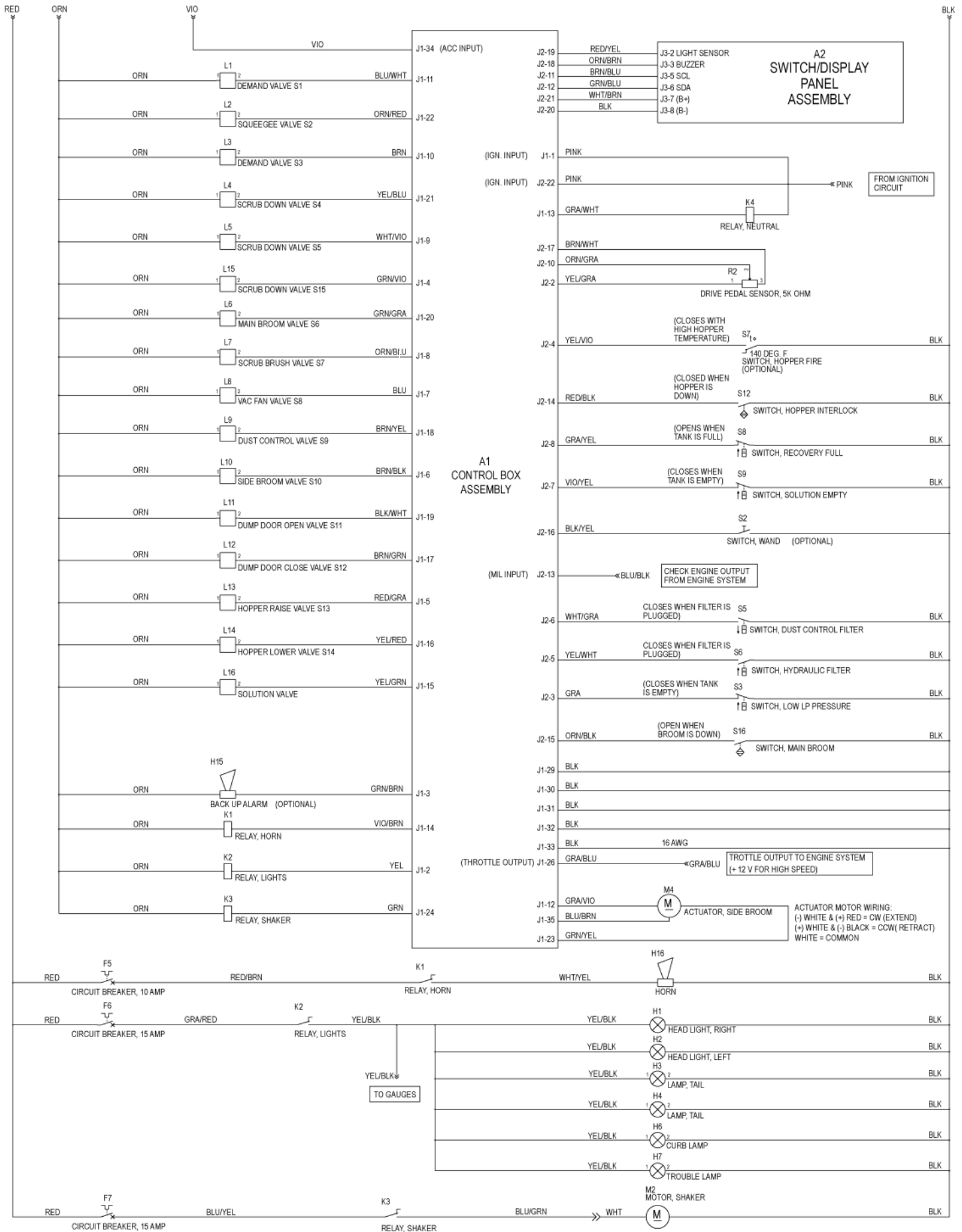
Wiring diagram-2 (Gasoline/Petrol / LPG-56304X)

CR 1100/1200/1400

16-02-2015

ID Liste de pièces
E143163

75



Wiring diagram-2 (Gasoline/Petrol / LPG-56304X)

CR 1100/1200/1400

16-02-2015

ID Liste de pièces
E143163

76

Pos	Réf. Pièce	Qté	Description	
A1	56305288	1	CARTE PRINCIPALE CR 1200	
A2	56305229	1	PANNEAU DE CDE A MEMBRANE	
F5	56387316	1	DISJONCTEUR 10A	HORN
F6	56454538	1	DISJONCTEUR 15A	HEADLIGHTS
F7	56454538	1	DISJONCTEUR 15A	SHAKER
H1	56304768	1	LAMPE 12 V CPLT	
H1	56304783	1	AMPOULE PHARE AV CR 1200	For 56304768
H2	56304768	1	LAMPE 12 V CPLT	
H2	56304783	1	AMPOULE PHARE AV CR 1200	For 56304768
H3	56305237	1	AMPOULE 12V	
H4	56305237	1	AMPOULE 12V	
H5	56305482	1	GYROPHARE	optional
H6	56304768	1	LAMPE 12 V CPLT	optional
H6	56304783	1	AMPOULE PHARE AV CR 1200	
H7	56305627	1	TROUBLE LAMP	optional
K1	56418387	1	RELAIS OUVERTURE DE	
K2	56418387	1	RELAIS OUVERTURE DE	
K3	56418387	1	RELAIS OUVERTURE DE	
K4	56418387	1	RELAIS OUVERTURE DE	
L1		1	NOTE COMMENT	DEMAND VALVE, S1
L2		1	NOTE COMMENT	SQUEEGEE VALVE, S2
L3		1	NOTE COMMENT	DEMAND VALVE, S3
L4		1	NOTE COMMENT	SCRUB DOWN VALVE, S4
L5		1	NOTE COMMENT	SCRUB DOWN VALVE, S5
L6		1	NOTE COMMENT	MAIN BROOM VALVE, S6
L7		1	NOTE COMMENT	SCRUB BRUSH VALVE, S7
L8		1	NOTE COMMENT	VAC FAN VALVE, S8
L9		1	NOTE COMMENT	DUST CONTROL VALVE, S9
M2	56508773	1	MOTEUR DE KIT SECOUEUR	NOTE 1
M4	56305008	1	VERIN	
R2	56305129	1	SONDE VARIABLE DE PEDALE	
S2	56209321	1	INTERRUPTEUR	optional
S3	56418381	1	SONDE DE PRESSION	
S5	56305518	1	SWITCH VACUUM	optional
S6	56418994	1	VANNE DE PRESSION	
S7	56418405	1	CONTACT TEMPERATURE	optional
S8	56305977	1	SONDE DE NIVEAU	TSBUS2005-875
S9	56305032	1	SONDE	
H15	56409232	1	CENTRALE ALARM	optional
H16	56442054	1	AVERTISSEUR SONORE	
L10		1	NOTE COMMENT	SIDE BROOM VALVE, S10
L11		1	NOTE COMMENT	DUMP DOOR OPEN VALVE, S11
L12		1	NOTE COMMENT	DUMP DOOR CLOSE VALVE, S12

NOTE 1: Shaker Motor 56418389 is obsolete and replaced by Shaker Motor Kit 56508773.

Wiring diagram-2 (Gasoline/Petrol / LPG-56304X)

CR 1100/1200/1400

16-02-2015

ID Liste de pièces
E143163

77

Pos	Réf. Pièce	Qté	Description
L13		1	NOTE COMMENT HOPPER RAISE VALVE, S13
L14		1	NOTE COMMENT HOPPER LOWER VALVE, S14
L15		1	NOTE COMMENT SCRUB DOWN VALVE, S15
L16	56305103	1	ELECTROVANNE 36 V CPLT
S12	56305053	1	SONDE
S16	56305053	1	SONDE

NOTE 1: Shaker Motor 56418389 is obsolete and replaced by Shaker Motor Kit 56508773.

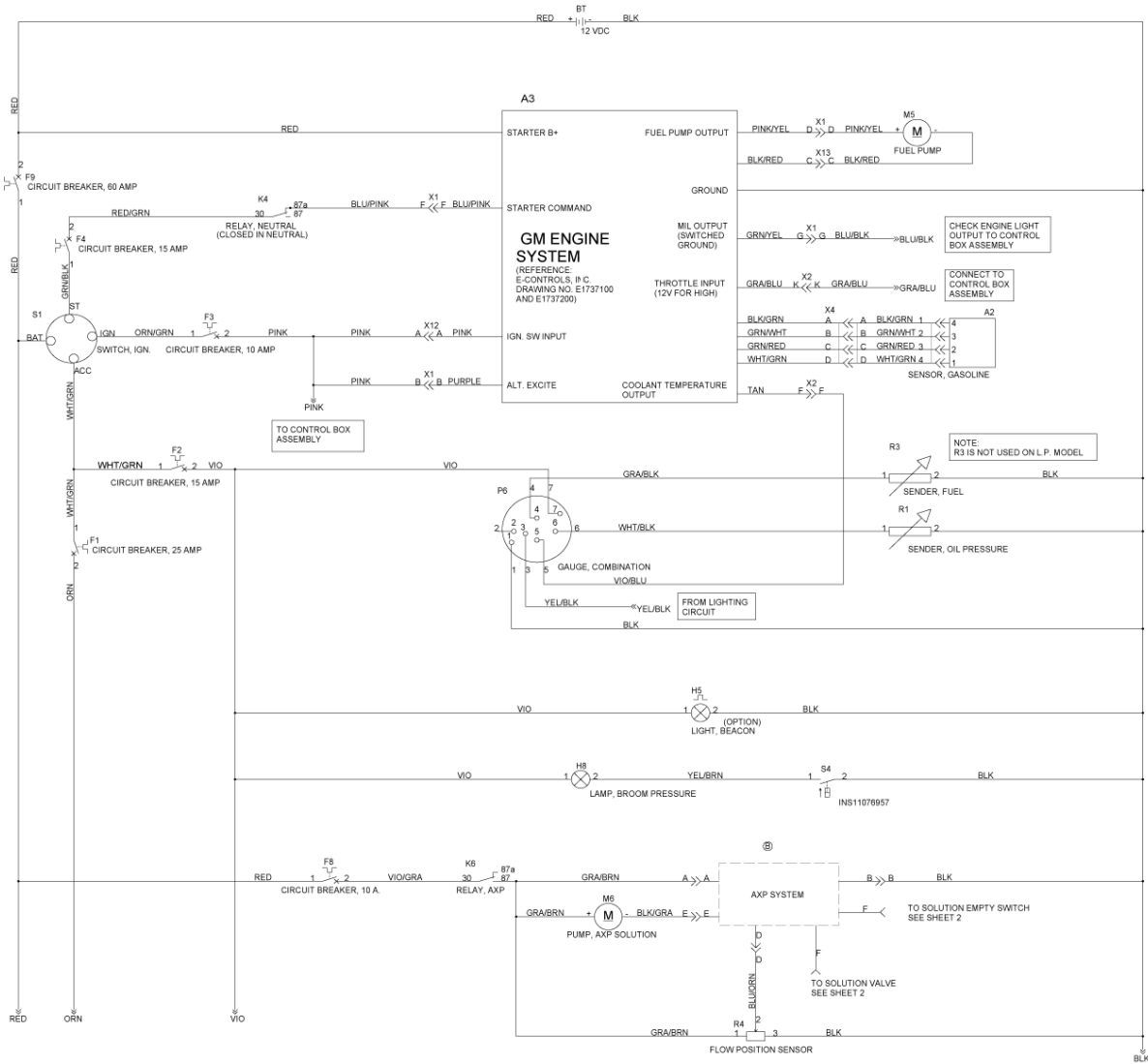
Wiring diagram-1 (Gasoline/Petrol / LPG-56306X)

CR 1100/1200/1400

16-02-2015

ID Liste de pièces
E143165

78



Wiring diagram-1 (Gasoline/Petrol / LPG-56306X)

CR 1100/1200/1400

16-02-2015

ID Liste de pièces
E143165

79

Pos	Réf. Pièce	Qté	Description	
A3		1	NOTE COMMENT	Engine System
BT	56380449	1	BATTERIE DE DEMARRAGE ACIDE 12V 45AH	Machine outphased 2006
F1	56469788	1	DISJONCTEUR 25 0	ACC 1
F2	56454538	1	DISJONCTEUR 15A	ACC 2
F3	56387316	1	DISJONCTEUR 10A	IGN
F4	56454538	1	DISJONCTEUR 15A	ST
F8	56387316	1	DISJONCTEUR 10A	EDS
F9	56263260	1	DISJONCTEUR 60 A	MAIN
H8	56305660	1	VOYANT ROUGE	
K4	56418387	1	RELAIS OUVERTURE DE	Closed in neutral
K6	56418387	1	RELAIS OUVERTURE DE	EDS
M5	56305062	1	POMPE CARBURANT POUR GASOIL - ESSENCE	Gasoline / Petrol
P6	56304569	1	INDICATEUR NIVEAU 4 EN 1	Gasoline / Petrol
P6	56304589	1	JAUGE	LPG
R1	56305619	1	DISTRIBUTEUR	
R3	56455567	1	JAUGE ELECTRIQUE FUEL	
R4	56303313	1	POTENTIOMETRE	EDS
S1	56418685	1	INTERRUPTEUR ALLUMAGE	
S1	56419123	1	CLEF DE CONTACT SR 1800	For 56418685 - Not shown
S4	56305618	1	CONTACT PRESSION	

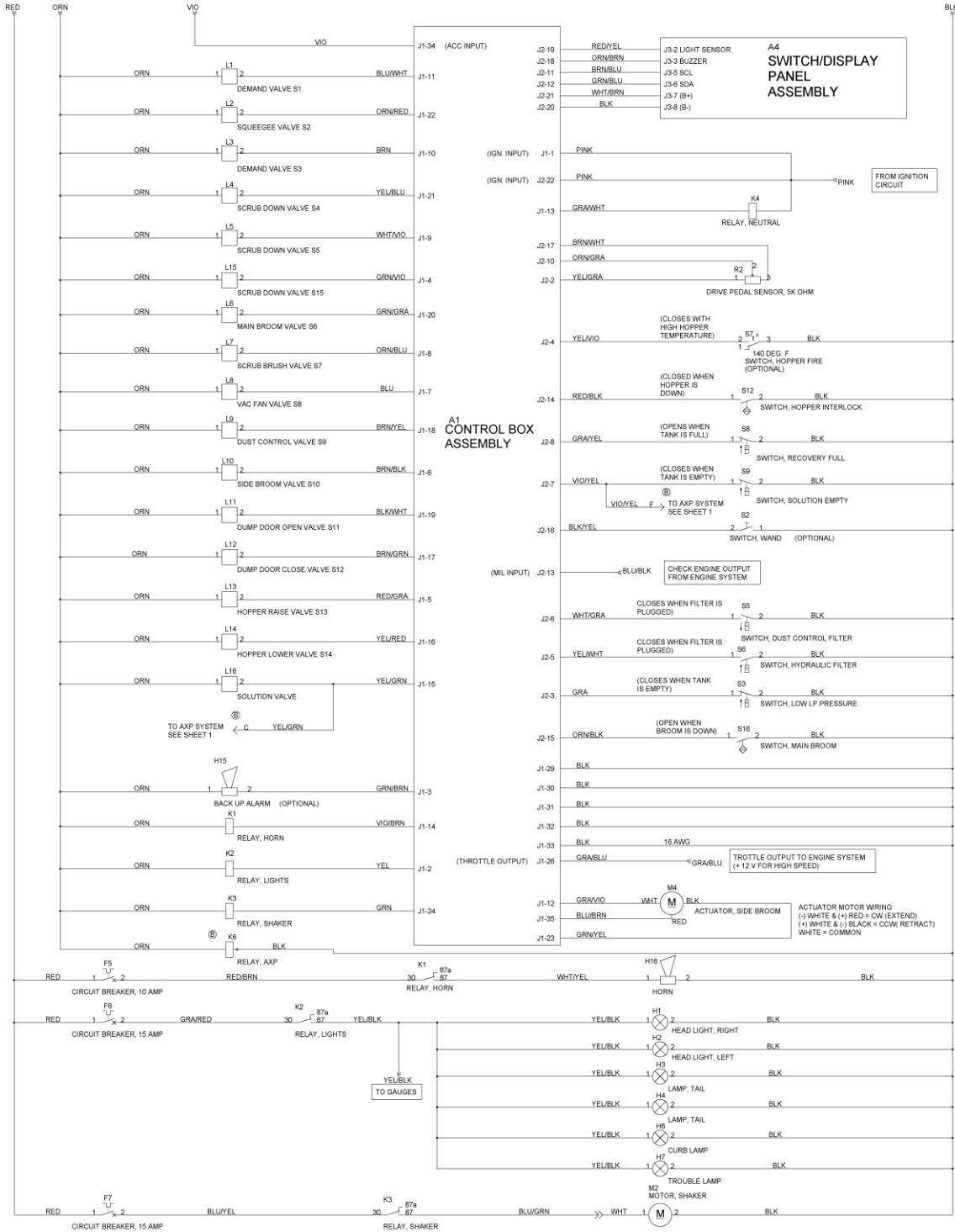
Wiring diagram-2 (Gasoline/Petrol / LPG-56306X)

CR 1100/1200/1400

16-02-2015

ID Liste de pièces
E143167

80



Wiring diagram-2 (Gasoline/Petrol / LPG-56306X)

CR 1100/1200/1400

16-02-2015

ID Liste de pièces
E143167

81

Pos	Réf. Pièce	Qté	Description	
A1	56305288	1	CARTE PRINCIPALE CR 1200	
A2	56305229	1	PANNEAU DE CDE A MEMBRANE	
F5	56387316	1	DISJONCTEUR 10A	HORN
F6	56454538	1	DISJONCTEUR 15A	HEADLIGHTS
F7	56454538	1	DISJONCTEUR 15A	SHAKER
H1	56304768	1	LAMPE 12 V CPLT	
H1	56304783	1	AMPOULE PHARE AV CR 1200	For 56304768
H2	56304768	1	LAMPE 12 V CPLT	
H2	56304783	1	AMPOULE PHARE AV CR 1200	For 56304768
H3	56305237	1	AMPOULE 12V	
H4	56305237	1	AMPOULE 12V	
H5	56305482	1	GYROPHARE	optional
H6	56304768	1	LAMPE 12 V CPLT	optional
H6	56304783	1	AMPOULE PHARE AV CR 1200	For 56304768
H7	56305627	1	TROUBLE LAMP	optional
K1	56418387	1	RELAIS OUVERTURE DE	
K2	56418387	1	RELAIS OUVERTURE DE	
K3	56418387	1	RELAIS OUVERTURE DE	
K4	56418387	1	RELAIS OUVERTURE DE	Closed in neutral
L1		1	NOTE COMMENT	DEMAND VALVE, S1
L2		1	NOTE COMMENT	SQUEEGEE VALVE, S2
L3		1	NOTE COMMENT	DEMAND VALVE, S3
L4		1	NOTE COMMENT	SCRUB DOWN VALVE, S4
L5		1	NOTE COMMENT	SCRUB DOWN VALVE, S5
L6		1	NOTE COMMENT	MAIN BROOM VALVE, S6
L7		1	NOTE COMMENT	SCRUB BRUSH VALVE, S7
L8		1	NOTE COMMENT	VAC FAN VALVE, S8
L9		1	NOTE COMMENT	DUST CONTROL VALVE, S9
M2	56508664	1	SECOUEUR ÉLECTRIQUE	
M4	56305008	1	VERIN	
R2	56305129	1	SONDE VARIABLE DE PEDALE	
S2	56209321	1	INTERRUPTEUR	optional
S3	56418381	1	SONDE DE PRESSION	
S5	56305518	1	SWITCH VACUUM	optional
S6	56418994	1	VANNE DE PRESSION	
S7	56418405	1	CONTACT TEMPERATURE	optional
S8	56305977	1	SONDE DE NIVEAU	
S9	56305032	1	SONDE	
H15	56409232	1	CENTRALE ALARM	optional
H16	56442054	1	AVERTISSEUR SONORE	
L10		1	NOTE COMMENT	SIDE BROOM VALVE, S10
L11		1	NOTE COMMENT	DUMP DOOR OPEN VALVE, S11
L12		1	NOTE COMMENT	DUMP DOOR CLOSE VALVE, S12

Wiring diagram-2 (Gasoline/Petrol / LPG-56306X)

CR 1100/1200/1400

16-02-2015

ID Liste de pièces
E143167

82

Pos	Réf. Pièce	Qté	Description
L13		1	NOTE COMMENT HOPPER RAISE VALVE, S13
L14		1	NOTE COMMENT HOPPER LOWER VALVE, S14
L15		1	NOTE COMMENT SCRUB DOWN VALVE, S1
L16	56305103	1	ELECTROVANNE 36 V CPLT
S12	56305053	1	SONDE
S16	56305053	1	SONDE

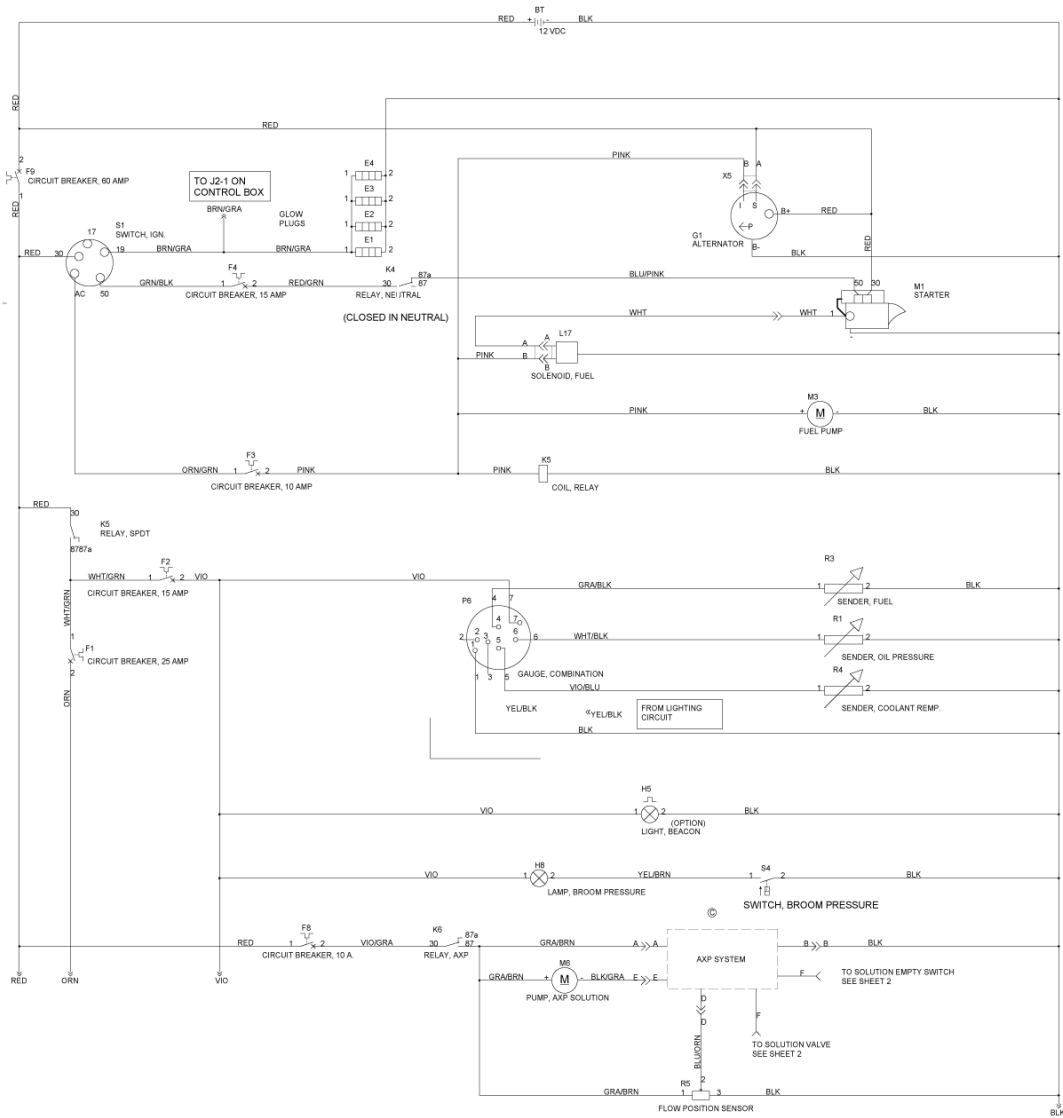
Wiring diagram-1 (Diesel) - Main Parts

CR 1100/1200/1400

16-02-2015

ID Liste de pièces
E143169

83



Wiring diagram-1 (Diesel) - Main Parts

CR 1100/1200/1400

16-02-2015

ID Liste de pièces
E143169

84

Pos	Réf. Pièce	Qté	Description	
BT	1464483000	1	BATTERIE 12V 49AH AGM MONOBLOC	
E1		1	NOTE COMMENT	GLOW PLUG
E2		1	NOTE COMMENT	GLOW PLUG
E3		1	NOTE COMMENT	GLOW PLUG
E4		1	NOTE COMMENT	GLOW PLUG
F1	56469788	1	DISJONCTEUR 25 0	
F2	56454538	1	DISJONCTEUR 15A	
F3	56387316	1	DISJONCTEUR 10A	
F4	56454538	1	DISJONCTEUR 15A	
F8	56387316	1	DISJONCTEUR 10A	EDS
F9	56263260	1	DISJONCTEUR 60 A	
G1	56305867	1	ALTERNATEUR	
H5	56305482	1	GYROPHARE	optional
H8	56305660	1	VOYANT ROUGE	
K4	56418387	1	RELAIS OUVERTURE DE	
K5	56418387	1	RELAIS OUVERTURE DE	
K6	56418387	1	RELAIS OUVERTURE DE	EDS
M1	56419089	1	DEMAREUR MOTEUR KUBOTA	
M3	56418793	1	POMPE FUEL	
M6	56306140	1	POMPE 12VDC 60PSI	EDS
P6	56304569	1	INDICATEUR NIVEAU 4 EN 1	
R1	56305619	1	DISTRIBUTEUR	
R3	56455567	1	JAUGE ELECTRIQUE FUEL	
R4	56305873	1	SONDE DE TEMPERATURE	
R5	56303313	1	POTENTIOMETRE	EDS
S1	56497754	1	CLEF DE CONTACT+BARILLET	
S4	56305618	1	CONTACT PRESSION	
L17	56419446	1	SOLENOID POMPE INJECTION 12 VOLTS	

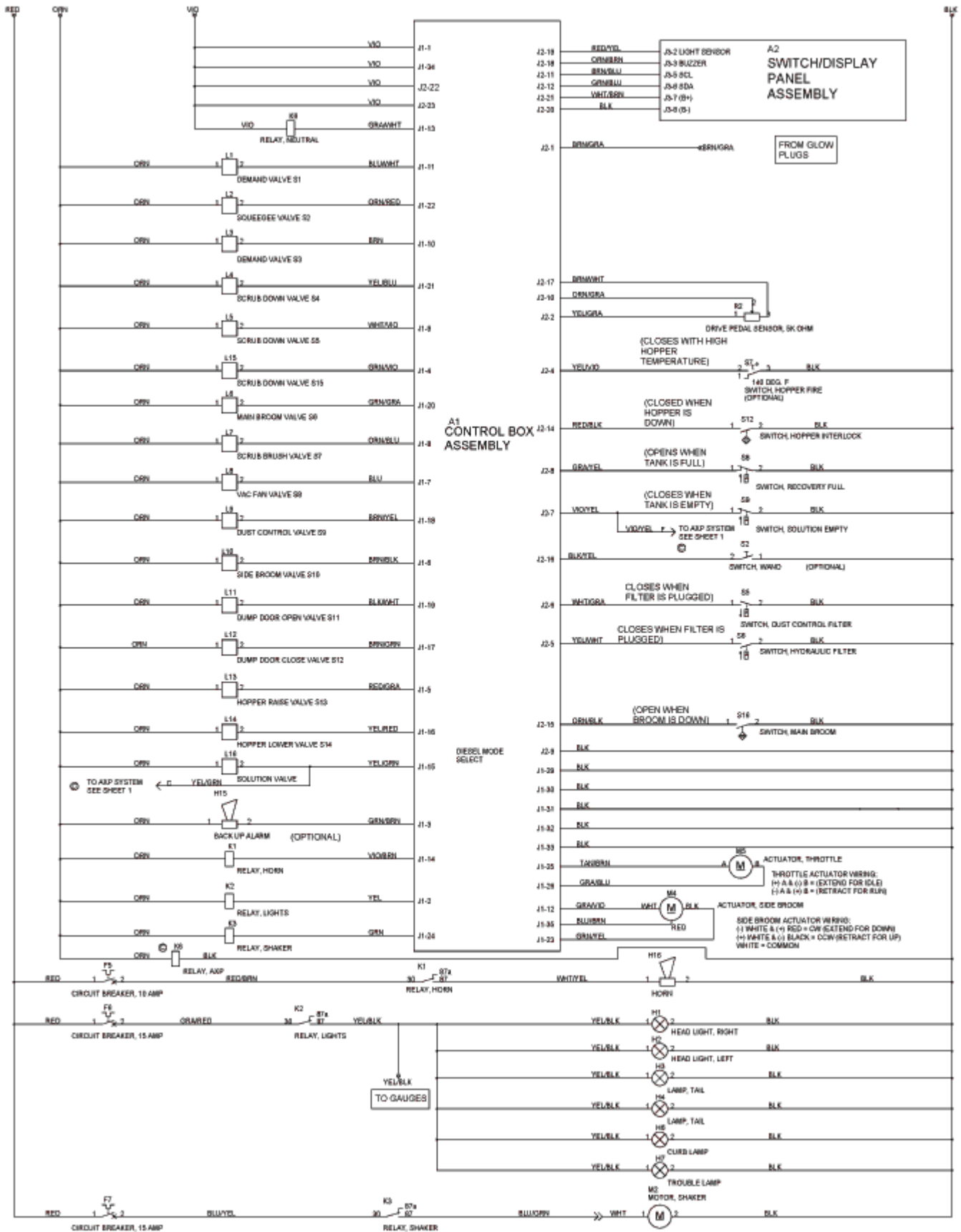
Wiring diagram-2 (Diesel) - Main Parts

CR 1100/1200/1400

16-02-2015

ID Liste de pièces
E143171

85



Wiring diagram-2 (Diesel) - Main Parts

CR 1100/1200/1400

16-02-2015

ID Liste de pièces
E143171

86

Pos	Réf. Pièce	Qté	Description	
A1	56305288	1	CARTE PRINCIPALE CR 1200	
A2	56305229	1	PANNEAU DE CDE A MEMBRANE	
F5	56387316	1	DISJONCTEUR 10A	HORN
F6	56454538	1	DISJONCTEUR 15A	HEADLIGHT
F7	56454538	1	DISJONCTEUR 15A	SHAKER
H1	56304768	1	LAMPE 12 V CPLT	
H1	56304783	1	AMPOULE PHARE AV CR 1200	For 56304768
H2	56304768	1	LAMPE 12 V CPLT	
H2	56304783	1	AMPOULE PHARE AV CR 1200	For 56304768
H3	56305237	1	AMPOULE 12V	
H4	56305237	1	AMPOULE 12V	
H6	56304768	1	LAMPE 12 V CPLT	optional
H6	56304783	1	AMPOULE PHARE AV CR 1200	For 56304768
H7	56305627	1	TROUBLE LAMP	optional
K1	56418387	1	RELAIS OUVERTURE DE	
K2	56418387	1	RELAIS OUVERTURE DE	
K3	56418387	1	RELAIS OUVERTURE DE	
K4	56418387	1	RELAIS OUVERTURE DE	Closed on neutral
L1		6	NOTE COMMENT	DEMAND VALVE, S1 - NOT AVAILABLE
L2		6	NOTE COMMENT	SQUEEGEE VALVE, S2 - NOT AVAILABLE
L3		6	NOTE COMMENT	DEMAND VALVE, S3 - NOT AVAILABLE
L4		6	NOTE COMMENT	SCRUB DOWN VALVE, S4 - NOT AVAILABLE
L5		6	NOTE COMMENT	SCRUB DOWN VALVE, S5 - NOT AVAILABLE
L6		6	NOTE COMMENT	MAIN BROOM VALVE, S6 - NOT AVAILABLE
L7		6	NOTE COMMENT	SCRUB BRUSH VALVE, S7 - NOT AVAILABLE
L8		6	NOTE COMMENT	VAC FAN VALVE, S8 - NOT AVAILABLE
L9		6	NOTE COMMENT	DUST CONTROL VALVE, S9 - NOT AVAILABLE
M2	56508664	1	SECOUEUR ÉLECTRIQUE	
M4	56305008	1	VERIN	
M5	56304348	1	VERRIN ACCELERATION	
R2	56305129	1	SONDE VARIABLE DE PEDALE	
S2	56209321	1	INTERRUPTEUR	
S5	56305518	1	SWITCH VACUUM	
S6	56418994	1	VANNE DE PRESSION	
S7	56418405	1	CONTACT TEMPERATURE	
S8	56305977	1	SONDE DE NIVEAU	TSBUS2005-875
S9	56305032	1	SONDE	
H15	56409232	1	CENTRALE ALARM	optional
H16	56442054	1	AVERTISSEUR SONORE	
L10		6	NOTE COMMENT	SIDE BROOM VALVE, S10 - NOT AVAILABLE
L11		6	NOTE COMMENT	DUMP DOOR OPEN VALVE, S11 - NOT AVAILABLE
L12		6	NOTE COMMENT	DUMP DOOR CLOSE VALVE, S12 - NOT AVAILABLE
L13		6	NOTE COMMENT	HOPPER RAISE VALVE, S13 - NOT AVAILABLE

Wiring diagram-2 (Diesel) - Main Parts

CR 1100/1200/1400

16-02-2015

ID Liste de pièces
E143171

87

Pos	Réf. Pièce	Qté	Description
L14		6	NOTE COMMENT HOPPER LOWER VALVE, S14 - NOT AVIALABLE
L15		6	NOTE COMMENT SCRUB DOWN VALVE, S15 - NOT AVAILABLE
L16	56305103	1	ELECTROVANNE 36 V CPLT
S12	56305053	1	SONDE
S16	56305053	1	SONDE

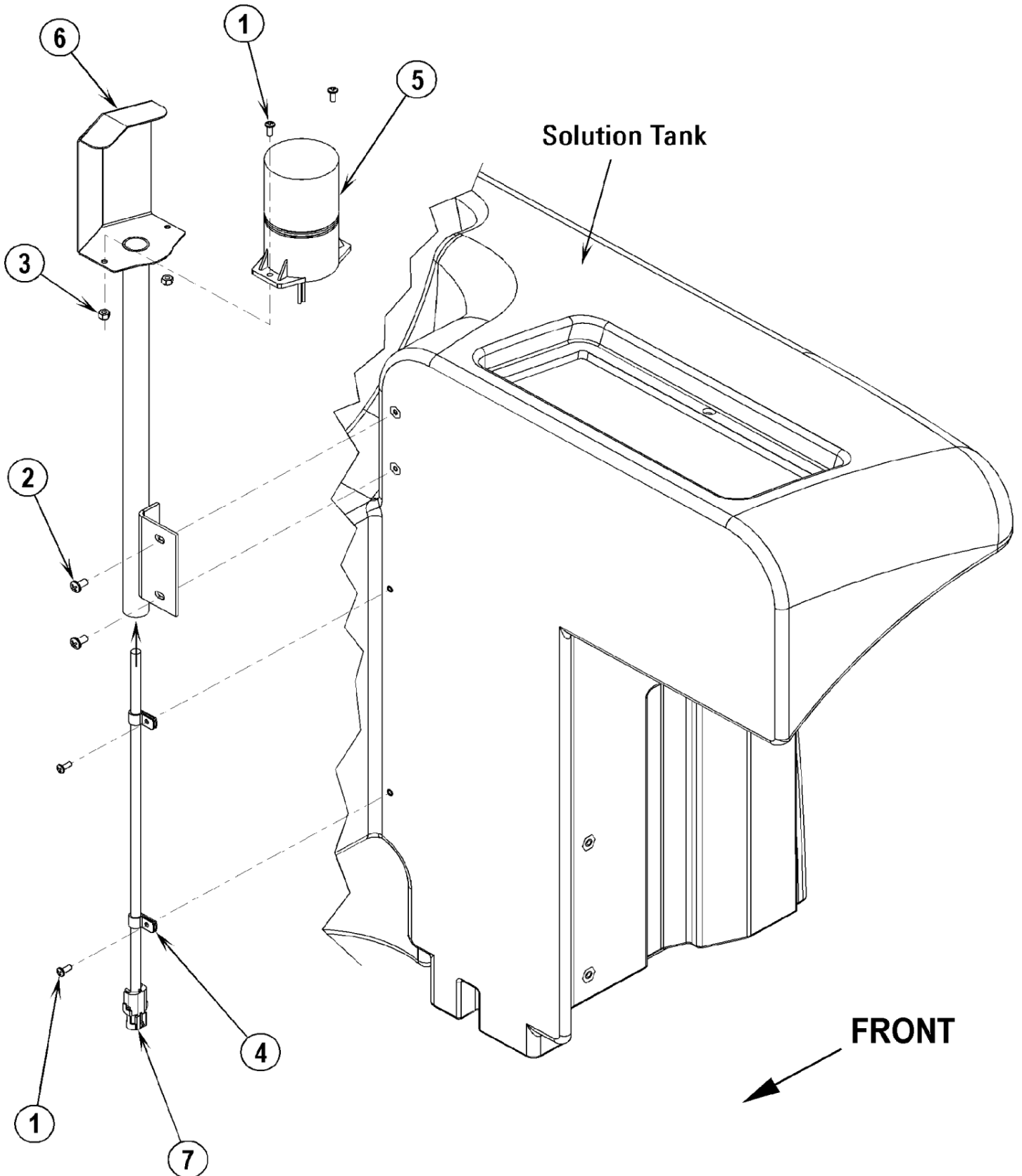
Beacon kit (standard on CR 1200 and 1400 Models)

CR 1100/1200/1400

16-02-2015

ID Liste de pièces
E143173

88



Beacon kit (standard on CR 1200 and 1400 Models)

CR 1100/1200/1400

16-02-2015

1D Liste de pièces
E143173

89

Pos	Réf. Pièce	Qté	Description
0	56305482	1	GYROPHARE Standard on CR1200 AND 1400 models
1	56001993	4	VIS TETE PL PHIL 10 24X 5
2	56002145	2	VIS 1/4 20 X 0 38
3	56002832	2	ECROU
4	56172017	2	SUPPORT CLIP
5	56305223	1	GYROPHARE SANS SUPPORT
6	56305481	1	SUPPORT GYROPHARE
7	56305513	1	HARNESS BEACON

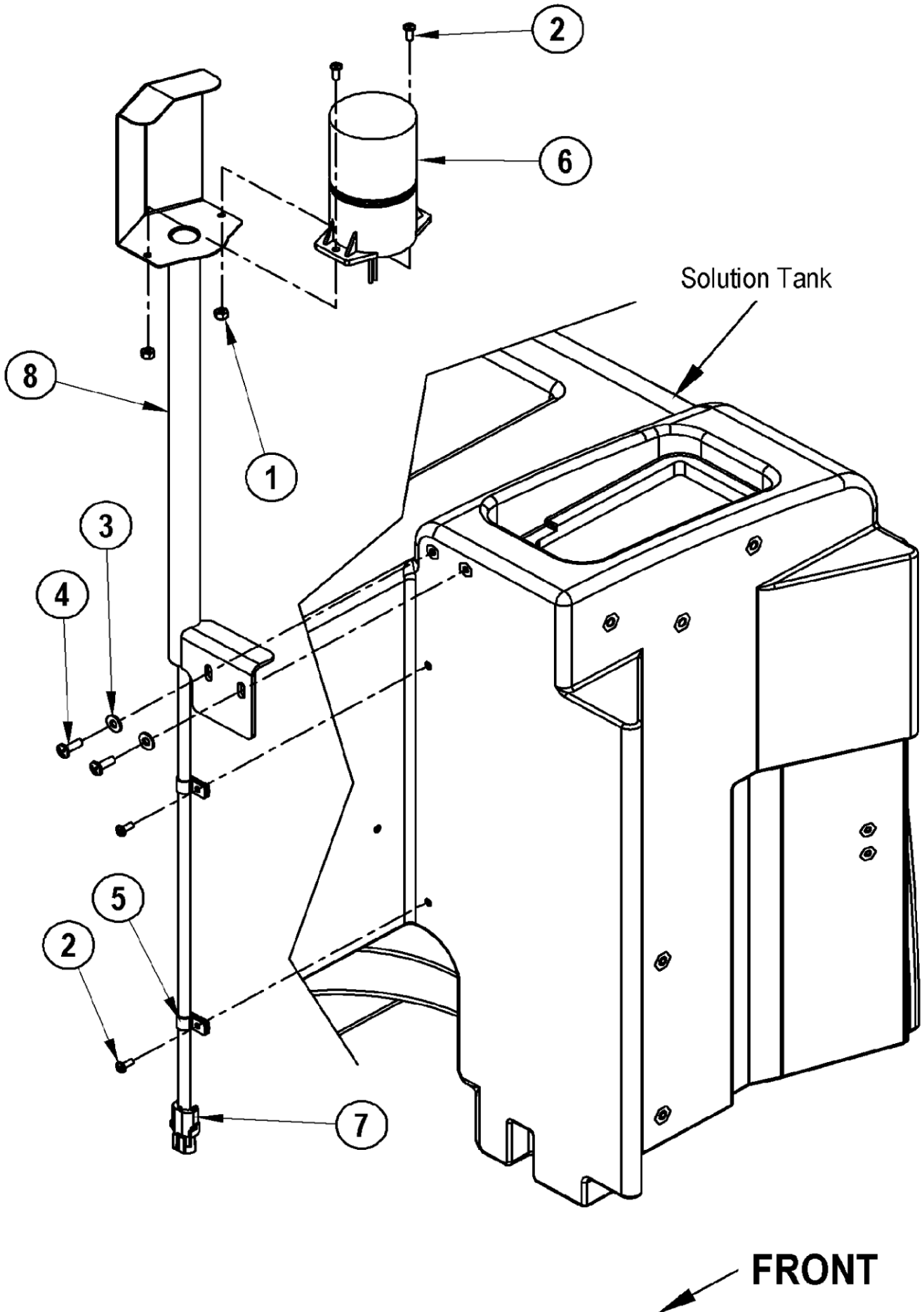
Beacon kit (standard on CR 1100 Models) - Mair

CR 1100/1200/1400

16-02-2015

ID Liste de pièces
E143175

90



Beacon kit (standard on CR 1100 Models) - Main

CR 1100/1200/1400

16-02-2015

ID Liste de pièces
E143175

91

Pos	Réf. Pièce	Qté	Description
0	56305881	1	KIT GYROPHARE + SUPPORT
1	56002832	2	ECROU
2	56001993	4	VIS TETE PL PHIL 10 24X 5
3	56002098	2	LAQUE DE SUPPORT 1/4
4	56002507	2	VIS PAN PHIL 1/4X20X0 75
5	56172017	2	SUPPORT CLIP
6	56305223	1	GYROPHARE SANS SUPPORT
7	56305513	1	HARNESS BEACON
8	56305883	1	BEACON MOUNT WELDMENT 60

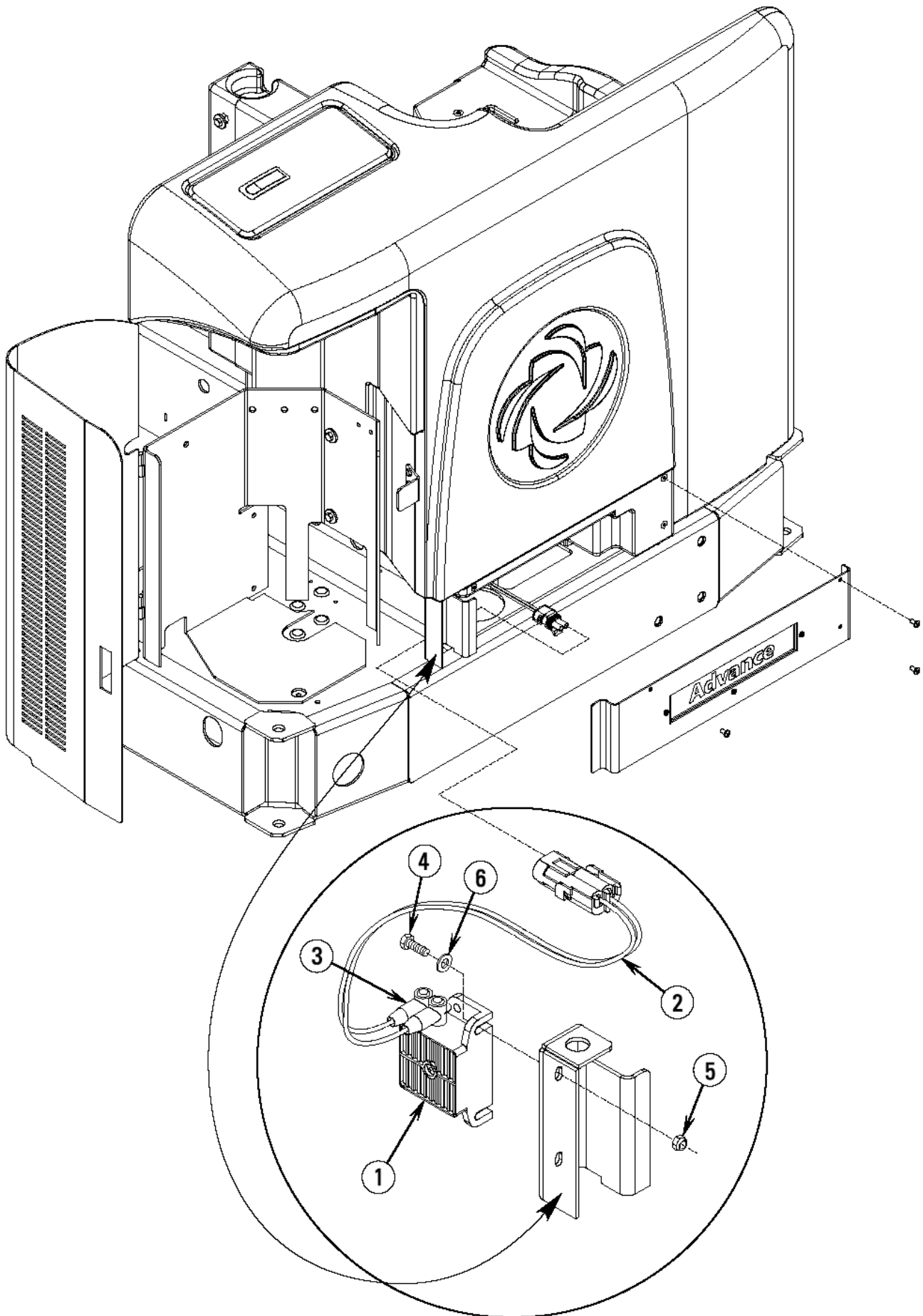
Backup alarm kit - Main Parts

CR 1100/1200/1400

16-02-2015

ID Liste de pièces
E143177

92



Backup alarm kit - Main Parts

CR 1100/1200/1400

16-02-2015

ID Liste de pièces
E143177

93

Pos	Réf. Pièce	Qté	Description
0	56305519	1	AVERTISSEUR SONORE REcul
1	56409232	1	CENTRALE ALARM
2	56409495	1	WIRE ASSY PIGTAEL
3	56409538	2	BORNE IISOLANT
4	56002155	2	VIS 1/4 20X75
5	56002708	2	LIQUET D ARRÊT 1/4 20
6	56002098	2	LAQUE DE SUPPORT 1/4

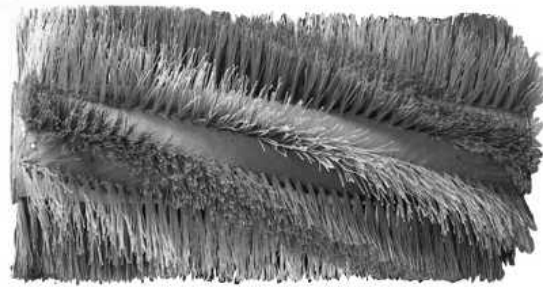
Broom selector guide 1 - Main Parts

CR 1100/1200/1400

16-02-2015

ID Liste de pièces
E143178

94



8 Double Row

Length..... 40" (101.6 cm)

Diameter..... 14" (35.56 cm)

Main Broom: PN56505955 Proex & Wire (STD.) (8 Double Rows)

This broom has a more aggressive cleaning action, used to pick up heavier debris.

PN56505956 Prolene (Optional) (8 D-Rows)

A top quality synthetic fiber. This filament is made for a wide variety of applications. Retains its stiffness when wet and resists abrasive chemicals, solvents and oils. A general purpose material offering high performance for a wide range of applications.

PN56505953 Nylon (Optional) (8 D-Rows)

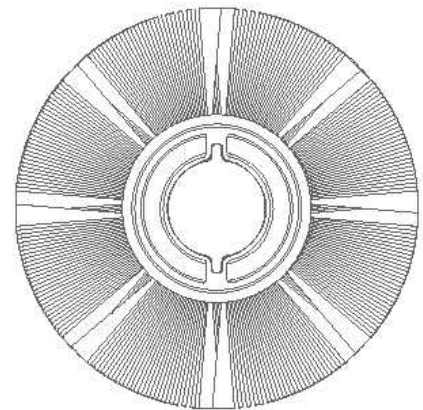
General purpose broom that can be used for all types of light soil. High wear material so uneven surfaces do not cause excessive wear. Nylon has a high heat deflection temperature, is chemical resistant and will absorb water in wet conditions. Truly a general purpose broom.

PN56505952 Proex (Optional) (12 Double Rows)

PN56505954 Proex (Optional) (8 Double Rows)

Synthetic fiber made of polypropylene designed to pick up paper, gravel, sand and other lighter less bulky litter.

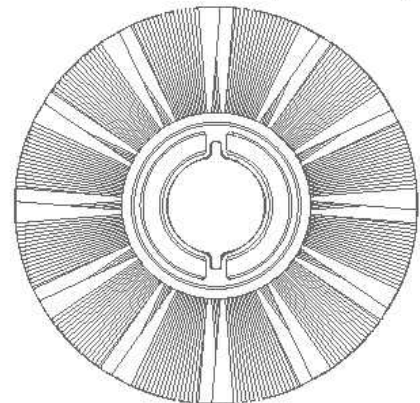
PN56505951 Poly/Wire (Optional) (8 Double Rows)



12 Double Row

Length..... 40" (101.6 cm)

Diameter..... 14" (35.56 cm)



Side Broom: PN56462252 Polypropylene (STD.)

The side broom function is to sweep the dirt and debris away from the curb, wall, pallet, etc. into the path of the main broom.



Diameter 20" (50.8 cm)

Broom selector guide 1 - Main Parts

CR 1100/1200/1400

16-02-2015

ID Liste de pièces
E143178

95

Pos	Réf. Pièce	Qté	Description
1	56505955	1	BROSSE CYLINDRIQUE PROEX
2	56505956	1	ROULEAU PROLENE 8 RANGEES
3	56505953	1	BROSSE CYLINDRIQUE NYLON
4	56505952	1	BROSSE CYLIND PROEX 12
5	56505954	1	BROSSE CYLINDRIQUE PROEX
6	56505951	1	BROSSE CYLINDRIQUE PPL
7	56462252	1	BROSSE LATERALE PPL

Brush selector guide - Main Parts

CR 1100/1200/1400

16-02-2015

ID Liste de pièces
E143179

97

Pos	Réf. Pièce	Qté	Description
1	56505946	1	BROSSE CRINVEGETAUX UNION
2	56505944	1	BROSSE NOIRE PROLENE
3	56505942	1	BROSSE DURE DYNATGRIT 80
4	56505947	1	BROSSE MIDGRIT 240
5	56505940	1	PLATEAU SUPPORT DISQUE
6	56505195	1	CENTREUR DE DISQUE
7	56505945	1	BROSSE PROLITE
8	56505941	1	BROSSE DURE MAGNAGRIT 46
9	56505948	1	BROSSE MIDGRIT 180
10	56505943	1	BROSSE NYLON GRISE GRIT500
11	56505786	1	BROSSE UNION MIX
12	56505784	1	BROSSE PROLENE
13	56505782	1	BROSSE DYNA GRIT 80
14	56505787	1	BROSSE MIDGRIT 240
15	56505780	1	PLATEAU PORTE DISQUE
16	56505195	1	CENTREUR DE DISQUE
17	56505785	1	BROSSE PROLITE
18	56505781	1	BROSSE MAGNA GRIT 46
19	56505788	1	BROSSE MIDLITE GRIT 180
20	56505783	1	BROSSE AGLITE GRIT 500
21	56505806	1	BROSSE FIBRES NATURELLES
22	56505804	1	BROSSE PROLENE 370MM
23	56505802	1	BROSSE DYNA GRIT 80 370MM
24	56505807	1	BROSSE MIDGRIT 240 370MM
25	56505800	1	PLATEAU SUPPORT DISQUE
26	56505195	1	CENTREUR DE DISQUE
27	56505805	1	BROSSE PROLITE 370 MM
28	56505801	1	BROSSE MAGNA GRIT 46
29	56505808	1	BROSSE MIDLITE GRIT 180
30	56505803	1	BROSSE AGLITE GRIT 500

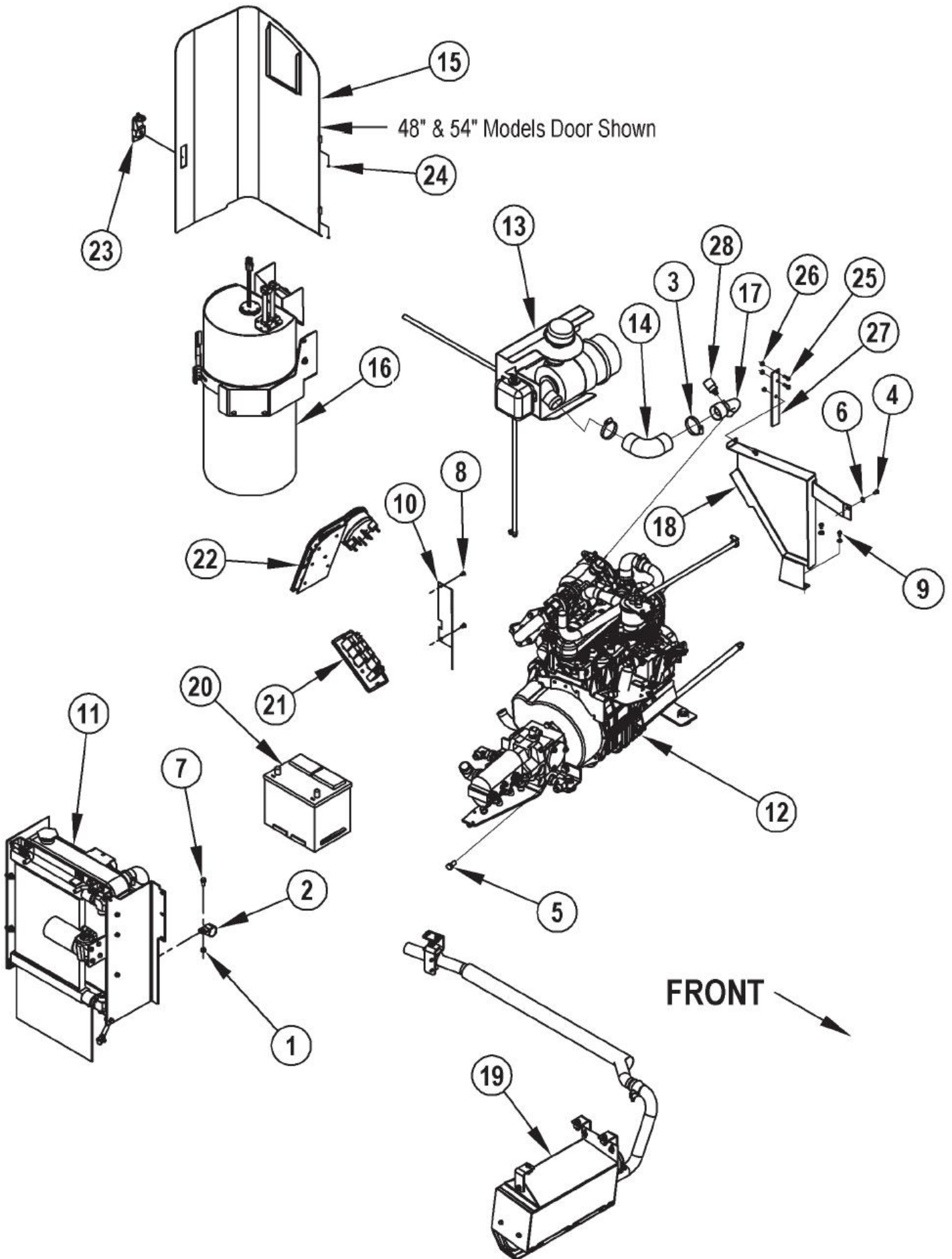
Diesel Engine System - Engine System until 20

CR 1100/1200/1400

16-02-2015

ID Liste de pièces
E141213

98



Diesel Engine System - Engine System until 20

CR 1100/1200/1400

16-02-2015

ID Liste de pièces
E141213

99

Pos	Réf. Pièce	Qté	Description	
0	56501005	2	ANTI-FREEZE	
1	56002769	1	ECROU 3/8SME X 16	
2	56409463	1	FIXATION 1 25 TUYAU SU	
3	56440213	2	FIXATION TUYAU 3 81MM	
4	56001854	2	VIS 6 PANS 1/4 20X.50	
5	56001895	2	VIS 6 PANS 1/2 13X1 00	
6	56002098	3	LAQUE DE SUPPORT 1/4	
7	56002663	1	VIS	
8	56009019	2	VIS 1/4 20 X 0 38	
9	56009033	2	VIS 6 PANS 1/4 20 X 50	
10	56305853	1	HEAT SHIELD	
11	56304638	1	RADIATEUR EAU	before SN 1780553
11	56305933	1	RADIATOR ASSEMBLY	after SN 1780552
12	56304795	1	ENGINE ASSY DIESEL	
13	56304904	1	FILTRE A AIR COMPLET	
14	56305241	1	DURITE COUDEE POUR GASOIL - ESSENCE	
15	56305436	1	PANNEAU DE PORTE	48" and 54" models
15	56305711	1	PORTE LATERALE	43" models
16	56305451	1	DIESEL FUEL ASSEMBLY	48" and 54" models
16	56305858	1	DIESEL FUEL ASSEMBLY 60	43" models
17	56305665	1	TUBE WELDMENT	
18	56305671	1	BELT GUARD WELDMENT	
19	56305689	1	KIT D ECHAPPEMENT COMPLET	
20	56441511	1	BATTERY 12V 26AH WET	Machine outphased 2006
21	56304843	1	CIRCUIT BREAKER PANEL ASSEMBLY	
22	56305485	1	JAUGE	
23	56418471	1	SYSTEME D OUVERTURE	
24	56416454	2	TIGE DE CHARNIERE	
25	56002155	2	VIS 1/4 20X.75	
26	56002840	3	VIS 1/4 20	
27	56305967	1	BRACKET BELT GUARD	
28	56478461	1	INDICATEUR	

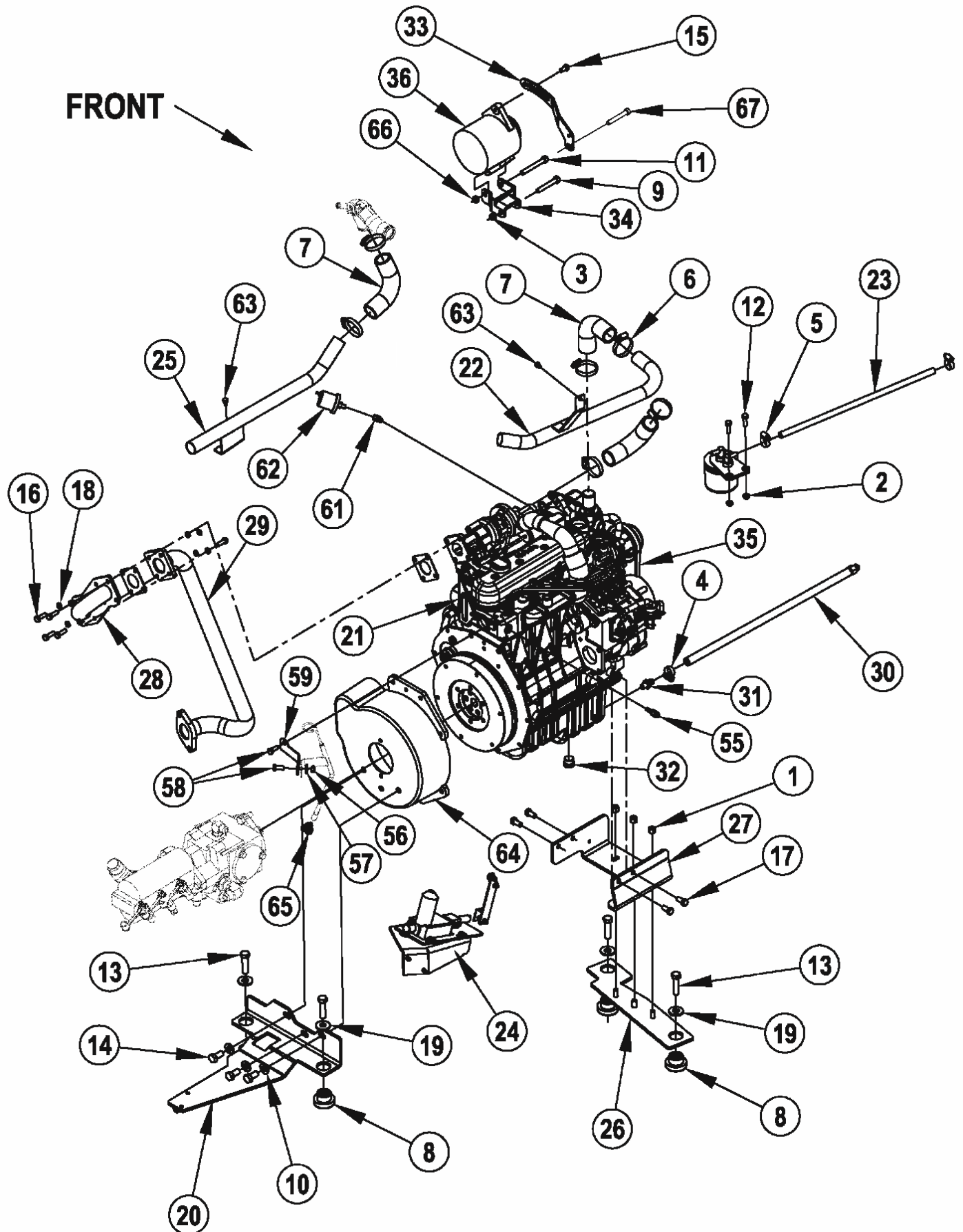
Diesel Engine Assembly - Engine System until :

CR 1100/1200/1400

16-02-2015

ID Liste de pièces
E141215

100



Diesel Engine Assembly - Engine System until 2

CR 1100/1200/1400

16-02-2015

ID Liste de pièces
E141215

101

Pos	Réf. Pièce	Qté	Description
0	56304348	1	VERRIN ACCELERATION
0	56305866	1	COURROIE optional, required for 56305867
0	56305867	1	ALTERNATEUR optional
0	56305873	1	SONDE DE TEMPERATURE
0	56418793	1	POMPE FUEL
0	56419086	1	FILTRE CARTOUCHE FUEL
0	56419088	1	SONDE THERMOSTAT
0	56419089	1	DEMAREUR MOTEUR KUBOTA
0	56419090	1	SONDE DE PRESSION D HUILE
0	56419091	1	CONTACT DE TEMPERATURE
0	56419107	2	JOINT ECHAPEMENT
0	56419307	1	FILTRE FUEL
0	56419446	1	SOLENOID POMPE INJECTION 12 VOLTS
0	56463590	1	RELAIS
0	56482659	1	FILTRE HUILE
0	56744580	1	PLUG BRASS E00040
1	56002769	3	ECROU 3/8SME X 16
2	56002826	2	ECROU 5/16 18
3	56002769	1	ECROU 3/8SME X 16
4	56112771	1	FIXATION TUYAU SAE 10 E0
5	56219932	2	COLLIER DE FIXATION
6	56329145	6	FIXATION TUYAU SAE 24E000
7	56418227	3	FLEXIBLE DE RADIATEUR
8	56478685	4	AMORTISSEUR CAOUTCHOU
9	56001873	1	SCR HEX 3/8-16 X 2.50
10	56001879	3	RONDELLE 1/2 SAE
11	56003763	1	SCR HEX M10-1.5 X 75MM
12	56002221	2	SCR HEX 5/16-18 X 1.00
13	56002983	4	VIS 1/2 13 X 2 00
14	56003083	3	VIS 1/2 13X1.00
15	56003178	1	VIS M8 125 X 16
16	56003180	8	SCR HEX THD/HD M8-1.25X25MM
17	56003442	4	VIS M10 1 5 X 20 MM
18	56003685	8	WASHER NORD LOC M8
19	56009115	4	RONDELLE 59
20	56304487	1	REAR ENGINE MOUNT
21	56304550	1	MOTEUR DIESEL CR 11 .1400
22	56305950	1	TUBE WELDMENT after SN 1780552
23	56492259	1	HOSE FUEL LINE E00556
24	56304727	1	VERIN 37-54
25	56304797	1	TUBE WATER before SN 1780553

NOTE 1: Items 28 & 29 have changed part numbers. The new parts are identical to the previous parts except the orientation of the mounting screws for item 29 have been flipped 180 degrees. Both of these items need to be ordered together to replace either of the previous parts (56305700 or 56305778). If you only need to replace item 28 you could reuse the old item 29 by drilling out the 4 threaded holes to clearance

Diesel Engine Assembly - Engine System until 2

CR 1100/1200/1400

16-02-2015

10 Liste de pièces
E141215

102

Pos	Réf. Pièce	Qté	Description	
25	56305975	1	TUBE WELDMENT	after SN 1780552
26	56305219	1	PLATE	before SN 1758211
26	56305909	1	SUPPORT	after SN 1758210
27	56305497	1	FRONT ENGINE MOUNT DIESEL	
28	56305955	1	EXHAUST ADAPTER WELDMENT	NOTE 1
29	56305954	1	TUBE D ECHAPPEMENT	NOTE 1
30	56305836	1	OIL DRAIN HOSE ASSEMBLY	
30	56305837	1	HOSE OIL DRAIN	
30	56305838	1	BARB HOSE FEMALE	
30	56744580	1	PLUG BRASS E00040	
31	56305839	1	BARB MALE METRIC	
32	56305845	1	PLUG METRIC M22 X 1.5	
33	56305862	1	SUPPORT ALTERNATEUR	
34	56305864	1	SUPPORT ALTERNATEUR	
35	56305866	1	COURROIE	
36	56304727	1	VERIN	
36	56305867	1	ALTERNATEUR	
55	56305873	1	SONDE DE TEMPERATURE	
56	56003389	1	ECROU DE 8 125	
57	56001939	1	RONDELLE PLATE SAE 5/16	
58	56003179	2	VIS M 8 1 25 X 20	
59	56305926	1	DIPSTICK BRACKET	
60	56756364	1	COLLIER DE SERRAGE	
61	56481658	1	ELBOW 1/8X45 BRASS E00029	
62	56305619	1	DISTRIBUTEUR	
63	56009033	2	VIS 6 PANS 1/4 20 X 50	
65	56756364	1	COLLIER DE SERRAGE	
66	56003406	1	ECROU M 10 1 50	
67	56003764	1	SCR HEX M6-1 X 55MM	

NOTE 1: Items 28 & 29 have changed part numbers. The new parts are identical to the previous parts except the orientation of the mounting screws for item 29 have been flipped 180 degrees. Both of these items need to be ordered together to replace either of the previous parts (56305700 or 56305778). If you only need to replace item 28 you could reuse the old item 29 by drilling out the 4 threaded holes to clearance

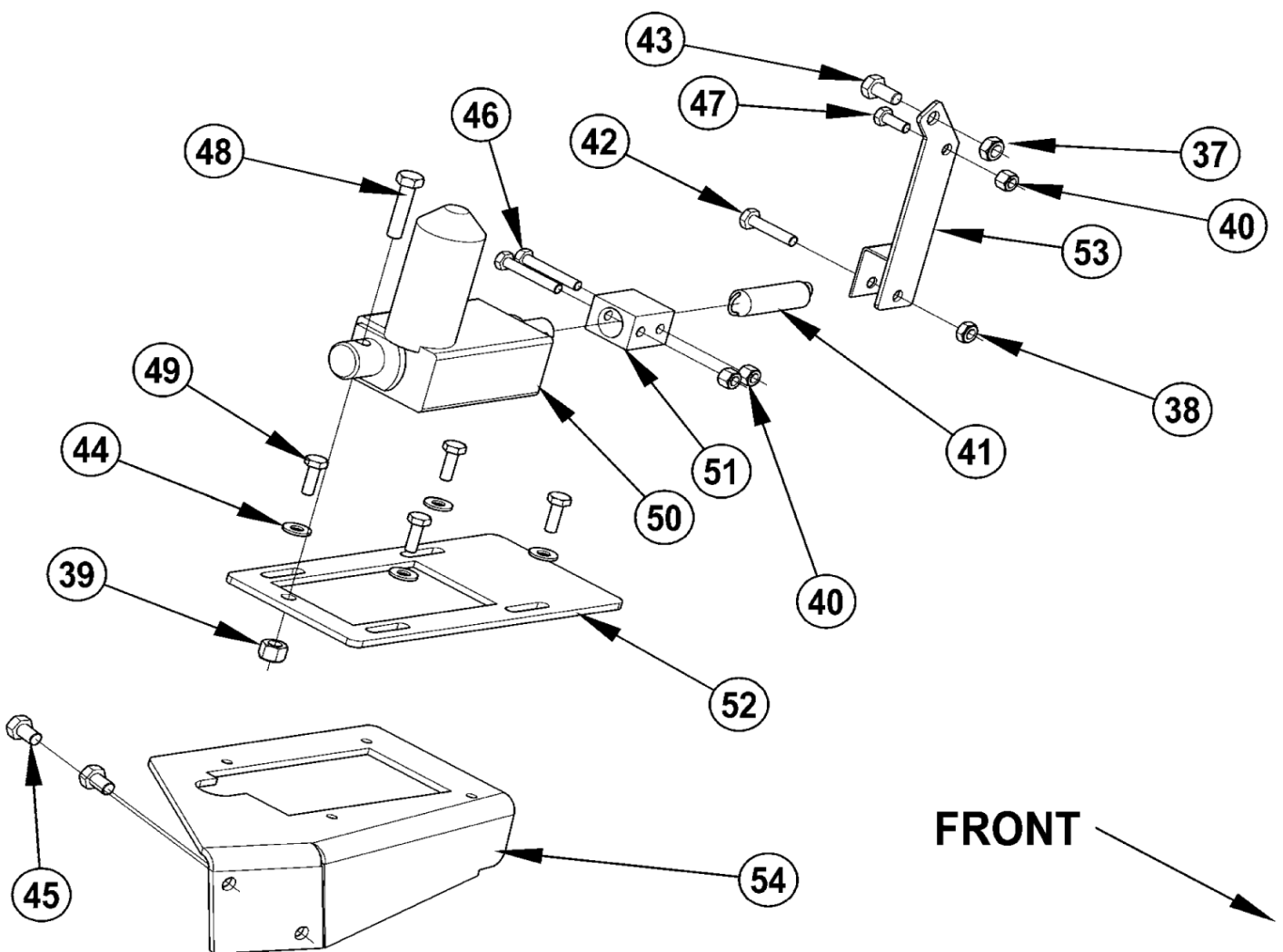
Diesel Actuator Assembly - Engine System until

CR 1100/1200/1400

16-02-2015

ID Liste de pièces
E141217

103



Diesel Actuator Assembly - Engine System until

CR 1100/1200/1400

16-02-2015

ID Liste de pièces
E141217

104

Pos	Réf. Pièce	Qté	Description
0	56304727	1	VERIN 37-54
37	56002826	1	ECROU 5/16 18
38	56002840	1	VIS 1/4 20
39	56003389	1	ECROU DE 8 125
40	56003403	3	ECROU M6 1 00
41	56365068	1	RESSORT D EXTENSION 62X2
42	56001878	1	VIS 1/4 20 X1 25 P
43	56002035	1	VIS 5/16 18 X .62
44	56002098	4	LAQUE DE SUPPORT 1/4
45	56002923	2	SCR HEX LOC 5/16-18 X .50
46	56003167	2	VIS M6 1 0 X 40MM
47	56003174	1	VIS M6 1 0 X16MM
48	56003361	1	SCR HEX HD M8 X 35.0
49	56009018	4	VIS SANS TETE 1/4 20
50	56304348	1	VERRIN ACCELERATION
51	56304724	1	BLOCK
52	56304725	1	PLATE
53	56305827	1	LEVER WELDMENT
54	56305870	1	BRACKET THROTTLE ACTUATOR

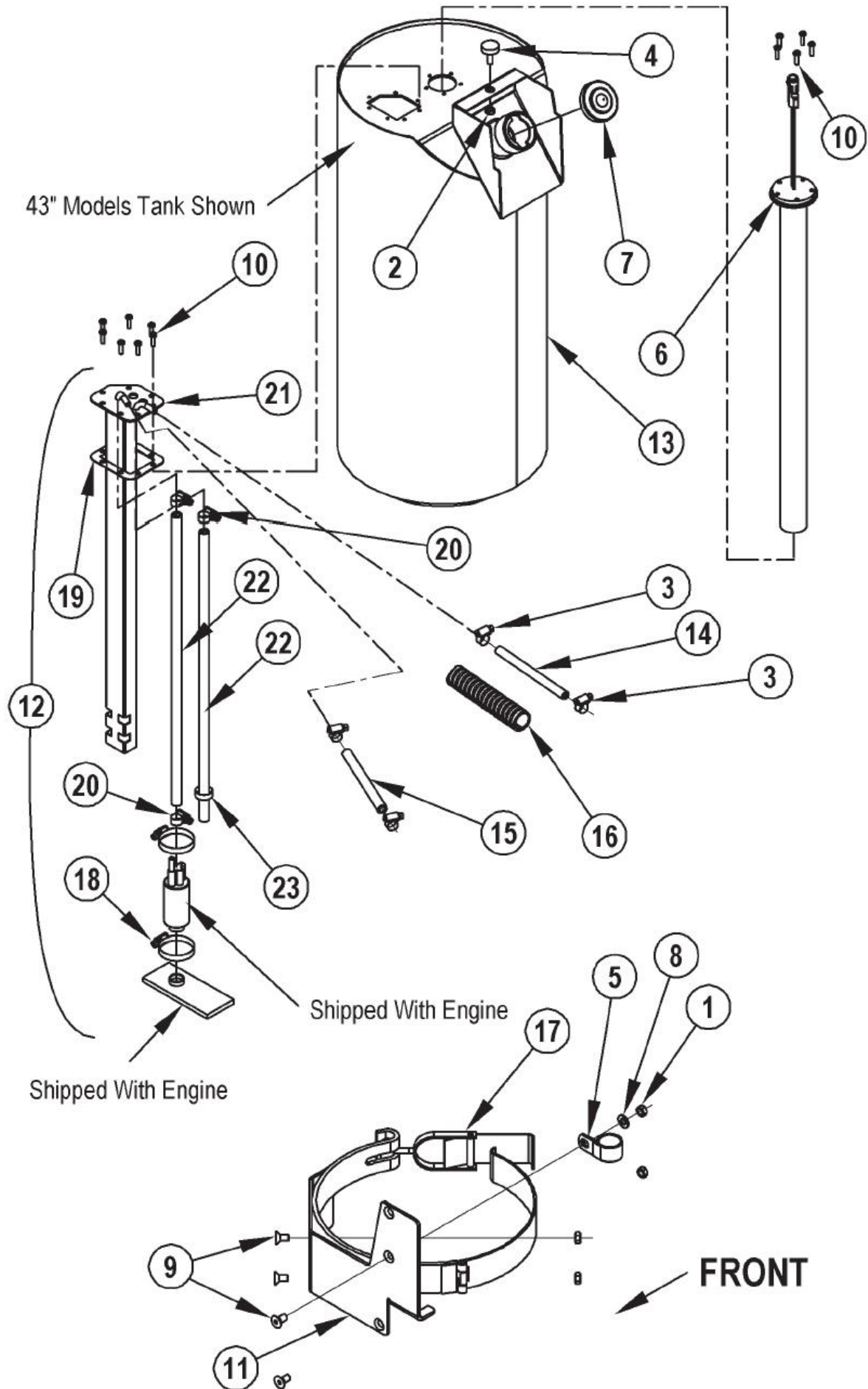
Diesel Fuel Assembly - Engine System until 20

CR 1100/1200/1400

16-02-2015

ID Liste de pièces
E141219

105



Diesel Fuel Assembly - Engine System until 20

CR 1100/1200/1400

16-02-2015

ID Liste de pièces
E141219

106

Pos	Réf. Pièce	Qté	Description	
0	56305451	1	DIESEL FUEL ASSEMBLY	48" and 54" models / 1-17, except 2 and 4
0	56305858	1	DIESEL FUEL ASSEMBLY 60	43" models / 1-17
1	56002769	4	ECROU 3/8SME X 16	
2	56009086	1	ECROU 5/16 18	43" models only
3	56756364	4	COLLIER DE SERRAGE	
4	56401783	1	VIS PIVOT	43" models only
5	56409463	1	FIXATION 1 25 TUYAU SU	
6	56455567	1	JAUGE ELECTRIQUE FUEL	
7	56478502	1	BOUCHON DE RESERVOIR DE F	
8	56002063	1	RONDELLE PLATE 3/8SME	
9	56002748	1	SCR FLT SOC 3/8-16 X .75	
10	56009209	7	VIS 10 24 X 1 00	
11	56304865	1	WELDMENT PROPANE TANK BRACKET	
12	56380454	1	KIT SUPPORT DE POMPE	18-23
13	56305757	1	FUEL TANK WELDMENT	48" and 54" models
13	56305817	1	GASOLINE TANK WELDMENT 4300	43" models
14	56305849	1	FLEXIBLE RETOUR FUEL	
15	56305850	1	FLEXIBLE FUEL	
16	56305851	1	CONDUIT	
17	56481997	1	CLAMP	
18	56329145	2	FIXATION TUYAU SAE 24E000	
19	56305941	1	WIRE ASSEMBLY	Not Shown
19	56418795	1	JOINT	
20	56756364	3	COLLIER DE SERRAGE	
21	56305453	1	FUEL PUMP BRACKET WELDMENT	
22	56380453	2	TUYAU FUEL 30R10	
23	56325219	1	CABLE TIE E00549	

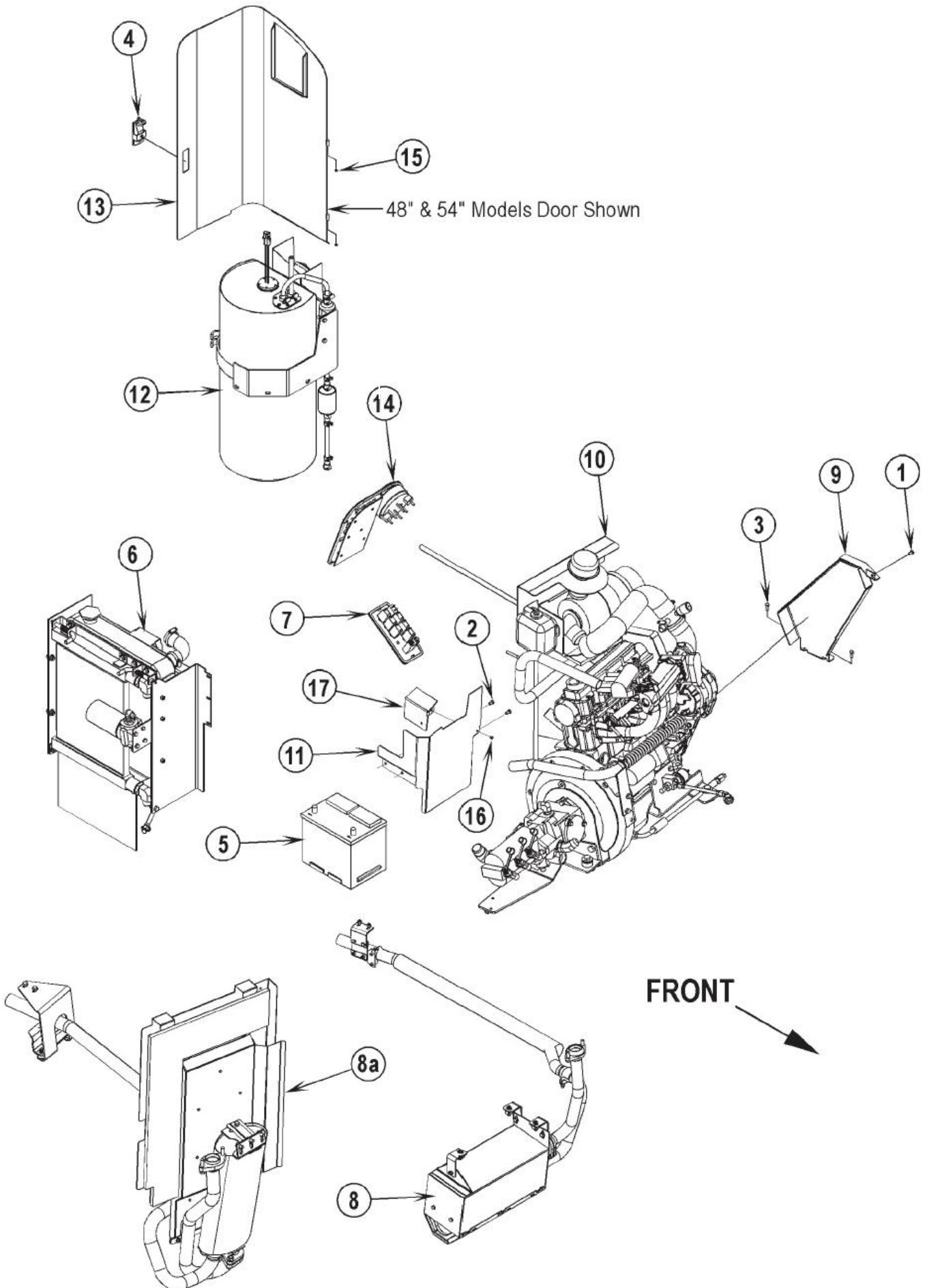
Gasoline/Petrol Engine System - Engine System

16-02-2015

ID Liste de pièces
E1412111

CR 1100/1200/1400

107



Gasoline/Petrol Engine System - Engine System

CR 1100/1200/1400

16-02-2015

10 Liste de pièces
E1412111

108

Pos	Réf. Pièce	Qté	Description	
1	56001854	1	VIS 6 PANS 1/4 20X.50	
2	56009033	3	VIS 6 PANS 1/4 20 X.50	
3	56009018	2	VIS SANS TETE 1/4 20	
4	56418471	1	SYSTEME D OUVERTURE	
5	56441511	1	BATTERY 12V 26AH WET	Machine outphased 2006
6	56304638	1	RADIATEUR EAU	before SN1780553
6	56305933	1	RADIATOR ASSEMBLY	after SN1780552
7	56304843	1	CIRCUIT BREAKER PANEL ASSEMBLY	
8	56305017	1	ECHAPPEMENT COMPLET	non certified and before SN1758211
9	56305027	1	WELDMENT BELT GUARD	
10		1	NOTE COMMENT	Engine, GM 1.6L Assembly - Not available
11	56305899	1	HEAT SHIELD	
12	56305424	1	GASOLINE FUEL ASSEMBLY	48" and 54" models
12	56305818	1	GASOLINE FUEL TANK ASSEMBLY	43" models
13	56305436	1	PANNEAU DE PORTE	48" and 54" models
13	56305711	1	PORTE LATERALE	43" models
14	56305485	1	JAUGE	
15	56416454	2	TIGE DE CHARNIERE	
16	56009063	1	SCR HEX THD FORM 10-24X .25	
17	56305900	1	HEAT SHIELD	
17	56501005	2	ANTI-FREEZE	Not Shown
8A	56305959	1	POT D ECHAPPEMENT COMPLET	After SN1758210

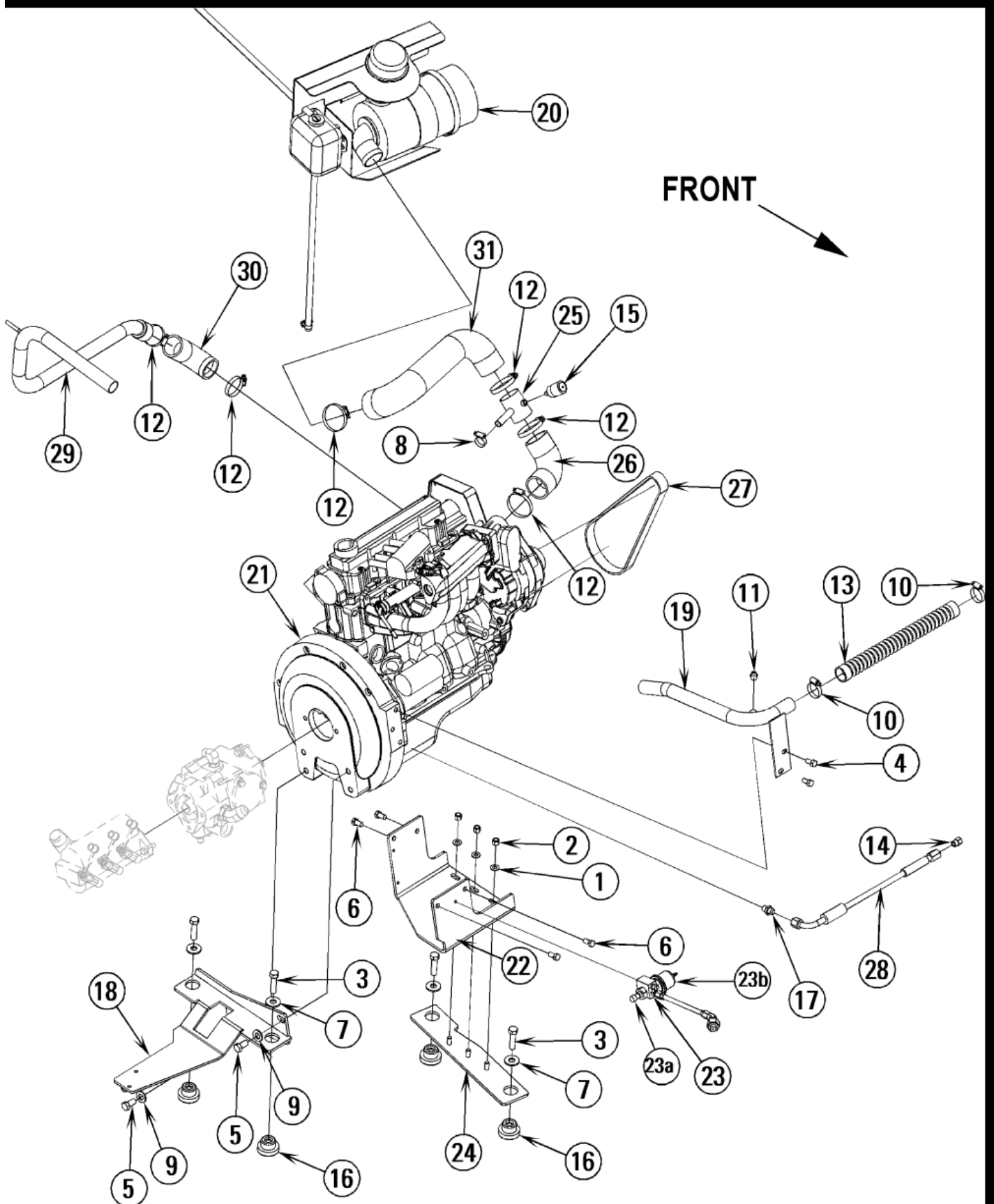
Gasoline/Petrol Engine Assembly - Engine System

CR 1100/1200/1400

16-02-2015

ID Liste de pièces
E1412113

109



Gasoline/Petrol Engine Assembly - Engine System

CR 1100/1200/1400

16-02-2015

ID Liste de pièces
E1412113

110

Pos	Réf. Pièce	Qté	Description	
0	56304425	1	BOITIER DE CONTROLE MOTEUR GM1.6	non certified models only - Not Shown
0	56304426	1	BOSCH THROTTLE ACUATOR	non certified models only - Not Shown
0	56304794	1	BOBINE ALLUMAGE	Not Shown
0	56305062	1	POMPE CARBURANT POUR GASOIL - ESSENCE	certified models only - Not Shown
0	56305098	1	SONDE NIVEAU HUILE MOTEUR	Not Shown
0	56305107	1	SONDE OXYGENE	certified models only - Not Shown
0	56305242	1	COURROIE D ALTERNATEUR	Not Shown
0	56305271	1	JOINT	Not Shown
0	56305272	1	FILTRE A HUILE MOTEUR	Not Shown
0	56305273	1	ALTERNATEUR 70A	Not Shown
0	56305274	4	INJECTEUR ESSENCE	certified models only - Not Shown
0	56305275	1	DEMARREUR GM 1,6L	After TSBUS2006-921 - Not Shown
0	56305401	1	ACCOUPLLEMENT POMPE	Not Shown
0	56305402	1	WIRE HARNESS ENGINE	non certified models only - Not Shown
0	56305403	1	SONDE DE TEMPERATURE EAU	Not Shown
0	56305404	1	SONDE	Not Shown
0	56305405	1	CAPTEUR MAP	non certified models only - Not Shown
0	56305411	1	THERMOSTAT D EAU	Not Shown
0	56305412	1	FILTRE FUEL	Not Shown
0	56305413	1	PRESSURE REGULATOR PETROL	certified models only - Not Shown
0	56305549	1	JOINT	Not Shown
0	56305596	1	KIT FAISCEAU DE BOUGIES	Not Shown
0	56305979	4	BOUGIE D ALLUMAGE	Not Shown
0	56305985	1	CÂBLE MOTEUR COMPLET GPL	certified models only - Not Shown
0	56305986	1	POMPE A EAU	Not Shown
0	56305987	1	SOUPAPE PCV	certified models only - Not Shown
0	56305990	1	ECU PETROL	certified models only - Not Shown
0	56305991	1	MAP SENSOR	certified models only - Not Shown
0	56305992	1	BOSCH THROTTLE ACTUATOR	certified models only - Not Shown
1	56002063	3	RONDELLE PLATE 3/8SME	
2	56002769	3	ECROU 3/8SME X 16	
3	56002983	4	VIS 1/2 13 X 2 00	
4	56003079	2	VIS	
5	56003083	2	VIS 1/2 13X1.00	
6	56003442	4	VIS M10 1 5 X 20 MM	
7	56009115	4	RONDELLE 59	
8	56112771	1	FIXATION TUYAU SAE 10 E0	
9	56001879	2	RONDELLE 1/2 SAE	
10	56329145	2	FIXATION TUYAU SAE 24E000	
11	56366277	1	PLUG PIPE 1/4 BLK E00040	before SN1780553
11	56744580	1	PLUG BRASS E00040	after SN1780552
12	56440213	6	FIXATION TUYAU 3 81MM	
13	56456304	1	DURITE	

NOTE 1: Machines after SN 1734015 are built with the 2004 certified engine.

Gasoline/Petrol Engine Assembly - Engine System

CR 1100/1200/1400

16-02-2015

ID Liste de pièces
E1412113

111

Pos	Réf. Pièce	Qté	Description
14	56462247	1	PLUG-6 E00551
15	56478461	1	INDICATEUR
16	56478685	4	AMORTISSEUR CAOUTCHOU
17	56900300	1	CONN.MALE METRIC
18	56304625	1	WELDMENT REAR MOUNT
19	56304634	1	WELDMENT TUBE before SN1780553
19	56305946	1	TUBE WELDMENT after SN1780552
20	56304904	1	FILTRE A AIR COMPLET
21	56111874	1	ENGINE-GM 1.6L PSI PETROL
21	56305007	1	MOTEUR GAZ GM 1.6L non certified
22	56305084	1	ENGINE MOUNT FRONT before SN1758211
22	56305910	1	ENGINE MOUNT FRONT after SN1758210
23	56305094	1	SONDE CPLT HUILE
24	56305219	1	PLATE before SN1758211
24	56305909	1	SUPPORT after SN1758210 (not shown)
25	56305240	1	TUBE WELDMENT
26	56305241	1	DURITE COUDEE POUR GASOIL - ESSENCE
27	56305242	1	COURROIE D ALTERNATEUR
28	56305374	1	HOSE ASSEMBLY
29	56305390	1	TUBE WELDMENT before SN1780553
29	56305948	1	TUBE WELDMENT after SN1780552
30	56305458	1	HOSE FORMED
31	56305113	1	HOSE RADIATOR
23A	56305098	1	SONDE NIVEAU HUILE MOTEUR
23B	56305619	1	DISTRIBUTEUR

NOTE 1: Machines after SN 1734015 are built with the 2004 certified engine.

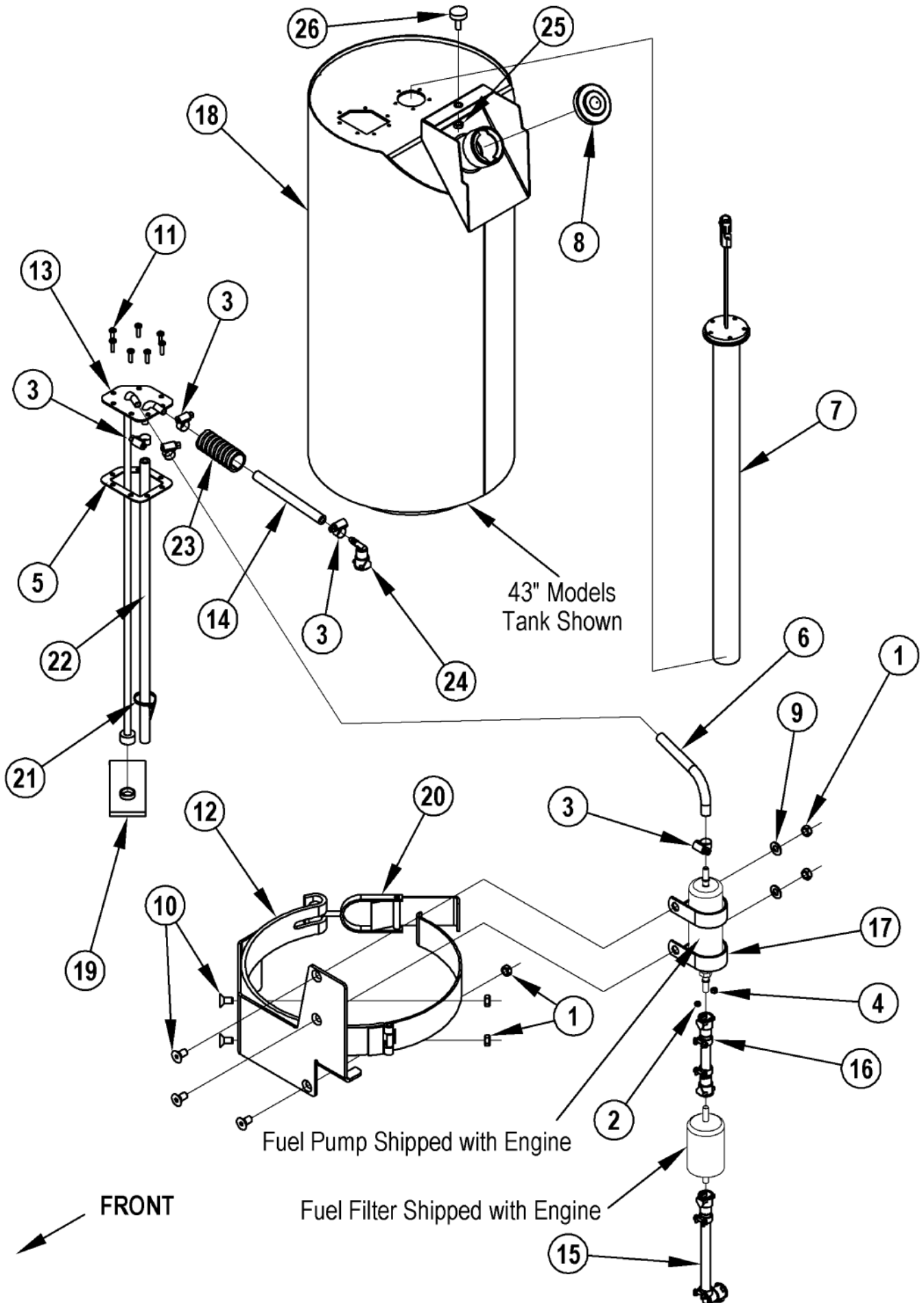
Gasoline/Petrol Fuel Assembly - Engine System

CR 1100/1200/1400

16-02-2015

ID Liste de pièces
E1412115

112



Gasoline/Petrol Fuel Assembly - Engine System

CR 1100/1200/1400

16-02-2015

MD Liste de pièces
E1412115

113

Pos	Réf. Pièce	Qté	Description	
	56305424	1	GASOLINE FUEL ASSEMBLY	48" and 54" models / 1-24
	56305818	1	GASOLINE FUEL TANK ASSEMBLY	43" models / 1-26
1	56002769	5	ECROU 3/8SME X 16	
2	56003351	1	NUT HEX M4	
3	56756364	5	COLLIER DE SERRAGE	
4	56003364	1	NUT HEX M5	
5	56418795	1	JOINT	
6	56418822	1	HOSE FUEL LINE E00556	
7	56455567	1	JAUGE ELECTRIQUE FUEL	
8	56478502	1	BOUCHON DE RESERVOIR DE F	
9	56002063	2	RONDELLE PLATE 3/8SME	
10	56002748	5	SCR FLT SOC 3/8-16 X .75	
11	56009209	7	VIS 10 24 X 1 00	
12	56304865	1	WELDMNT PROPANE TANK BRACKET	
13	56305425	1	ADAPTOR WELDMNT	
14	56305456	1	FUEL LINE RETURN	
15	56305423	2	HOSE CLAMP PRESSURE	Not Shown
15	56305445	1	HOSE FUEL PRESSURE	Not Shown
15	56305446	2	COUPLER FUEL LINE	Not Shown
15	56305486	1	HOSE ASSEMBLY	
16	56305423	2	HOSE CLAMP PRESSURE	Not Shown
16	56305446	2	COUPLER FUEL LINE	Not Shown
16	56305459	1	HOSE FUEL PRESSURE	Not Shown
16	56305487	1	HOSE ASSEMBLY	
17	56305492	2	BRIDE	
18	56305757	1	FUEL TANK WELDMNT	48" and 54" models
18	56305817	1	GASOLINE TANK WELDMNT 4300	43" models
19	56419307	1	FILTRE FUEL	
20	56305790	1	WIRE ASM PIGTAIL	Not Shown
20	56481997	1	CLAMP	
21	56325219	1	CABLE TIE E00549	
22	56380453	1	TUYAU FUEL 30R10	
23	56305953	1	CONDUIT	
24	56305753	1	BARBED ELBOW FUEL LINE	
25	56009086	1	ECROU 5/16 18	43" models
26	56401783	1	VIS PIVOT	43" models

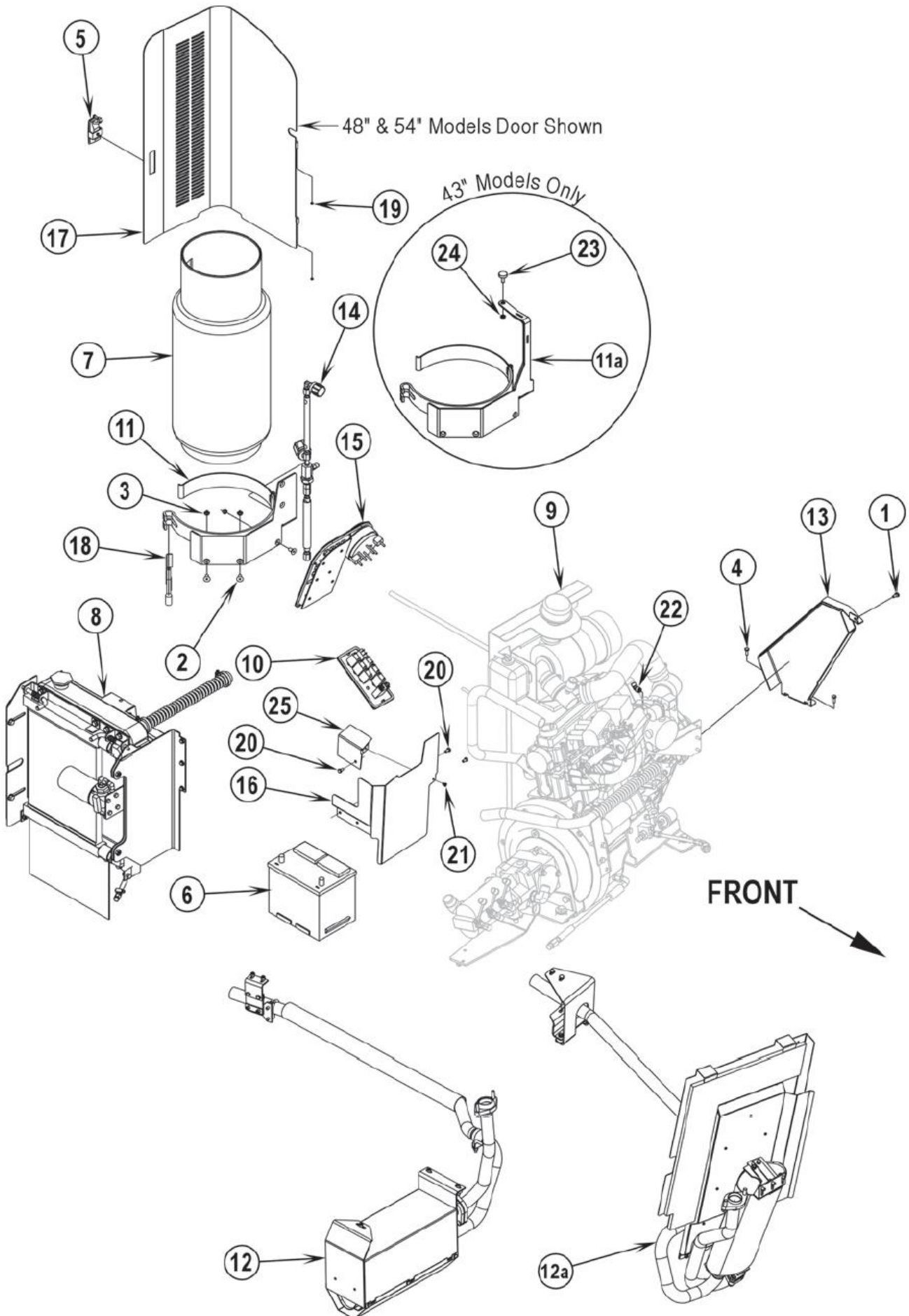
LPG Engine System - Engie System until 200

CR 1100/1200/1400

16-02-2015

ID Liste de pièces
E1412117

114



LPG Engine System - Engie System until 200

CR 1100/1200/1400

16-02-2015

ID Liste de pièces
E1412117

115

Pos	Réf. Pièce	Qté	Description	
0	56501005	2	ANTI-FREEZE	Not Shown
1	56001854	1	VIS 6 PANS 1/4 20X.50	
2	56002748	3	SCR FLT SOC 3/8-16 X .75	
3	56002769	3	ECROU 3/8SME X 16	
4	56009018	2	VIS SANS TETE 1/4 20	
5	56418471	1	SYSTEME D OUVERTURE	
6	56441511	1	BATTERY 12V 26AH WET	Machine outphased 2006
7	56456590	1	L.P. TANK	
8	56304638	1	RADIATEUR EAU	before SN1780553
8	56305933	1	RADIATOR ASSEMBLY	after SN1780552
9		1	NOTE COMMENT	Engine, GM 1.6L Assembly - Not available
10	56304843	1	CIRCUIT BREAKER PANEL ASSEMBLY	
11	56304865	1	WELDMENT PROPANE TANK BRACKET	48" and 54" models
12	56305017	1	ECHAPPEMENT COMPLET	non certified and before SN1804302
13	56305027	1	WELDMENT BELT GUARD	
14	56305089	1	KIT FILTRE LPG	
15	56305230	1	PROPANE GAUGE PANEL ASSEMBLY	
16	56305899	1	HEAT SHIELD	
17	56305300	1	CAPOT MOTEUR PROPANE	48" and 54" models
17	56305662	1	PROPANE DOOR WELDMENT	43" models
18	56481997	1	CLAMP	
19	56416454	2	TIGE DE CHARNIERE	
20	56009033	3	VIS 6 PANS 1/4 20 X 50	
21	56009063	1	SCR HEX THD FORM 10-24X .25	
22	56456598	1	ELBOW MALE 45 DEG E00238	
23	56401783	1	VIS PIVOT	43" models
24	56009086	1	ECROU 5/16 18	43" models
25	56305900	1	HEAT SHIELD	
11A	56305789	1	PROPANE BRACKET WELDMENT	43" models
12A	56305959	1	POT D ECHAPPEMENT COMPLET	after 1804301

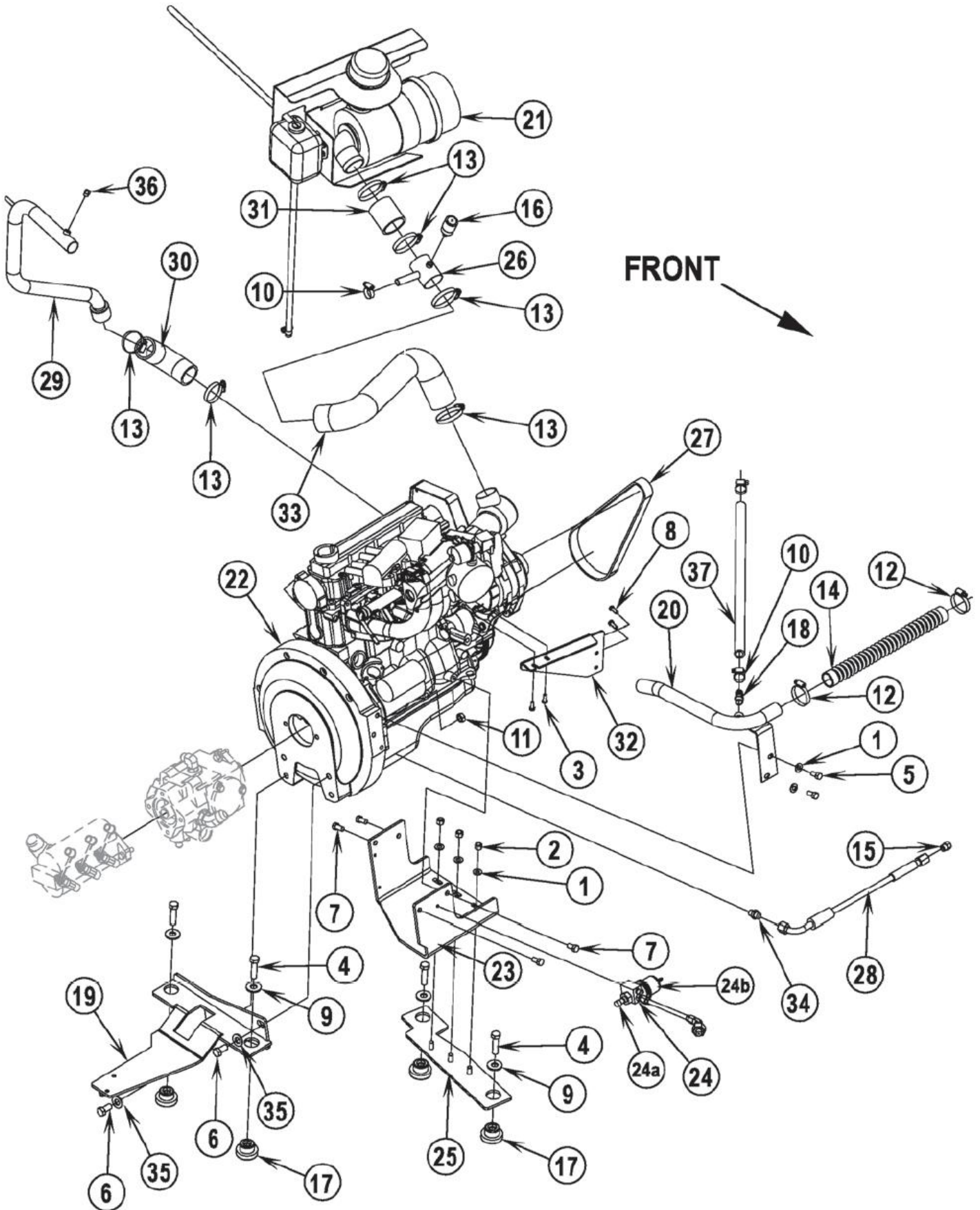
LPG Engine Assembly - Engine System until 2

CR 1100/1200/1400

16-02-2015

ID Liste de pièces
E1412119

116



LPG Engine Assembly - Engine System until 20

CR 1100/1200/1400

16-02-2015

ID Liste de pièces
E1412119

117

Pos	Réf. Pièce	Qté	Description	
0	56304425	1	BOITIER DE CONTROLE MOTEUR GM1.6	non certified models only - Not Shown
0	56304426	1	BOSCH THROTTLE ACUATOR	certified models only - Not Shown
0	56304794	1	BOBINE ALLUMAGE	Not Shown
0	56305098	1	SONDE NIVEAU HUILE MOTEUR	Not Shown
0	56305107	1	SONDE OXYGENE	certified models only - Not Shown
0	56305242	1	COURROIE D ALTERNATEUR	Not Shown
0	56305271	1	JOINT	Not Shown
0	56305272	1	FILTRE A HUILE MOTEUR	Not Shown
0	56305273	1	ALTERNATEUR 70A	Not Shown
0	56305275	1	DEMARREUR GM 1,6L	After TSBUS2006-921 - Not Shown
0	56305401	1	ACCOUPLLEMENT POMPE	Not Shown
0	56305402	1	WIRE HARNESS ENGINE	non certified models only - Not Shown
0	56305403	1	SONDE DE TEMPERATURE EAU	Not Shown
0	56305404	1	SONDE	Not Shown
0	56305405	1	CAPTEUR MAP	Not Shown
0	56305407	1	MELANGEUR GAZ	non certified models only - Not Shown
0	56305408	1	DETENDEUR	non certified models only - Not Shown
0	56305409	1	ELECTROVANNE	non certified models only - Not Shown
0	56305410	1	FILTRE FUEL VERSION LPG	Not Shown
0	56305411	1	THERMOSTAT D EAU	Not Shown
0	56305549	1	JOINT	Not Shown
0	56305596	1	KIT FAISCEAU DE BOUGIES	Not Shown
0	56305979	4	BOUGIE D ALLUMAGE	Not Shown
0	56305981	1	VAPORISATEUR	certified models only - Not Shown
0	56305982	1	MELANGEUR PROPANE	certified models only - Not Shown
0	56305983	1	TRIM VALVE STRAIGHT	certified models only - Not Shown
0	56305984	1	MELANGEUR PROPANE	certified models only - Not Shown
0	56305985	1	CÂBLE MOTEUR COMPLET GPL	certified models only - Not Shown
0	56305986	1	POMPE A EAU	Not Shown
0	56305989	1	BOITIER ELECTRONIQUE DE	certified models only - Not Shown
0	56305991	1	MAP SENSOR	certified models only - Not Shown
0	56305992	1	BOSCH THROTTLE ACTUATOR	certified models only - Not Shown
0	56508936	1	ELECTROVANNE GAZ	certified models only - Not Shown
1	56002063	5	RONDELLE PLATE 3/8SME	
2	56002769	3	ECROU 3/8SME X 16	
3	56002948	2	VIS HEX HP LOC 1/4 20 X 0.75	
4	56002983	4	VIS 1/2 13 X 2 00	
5	56003079	2	VIS	
6	56003083	2	VIS 1/2 13X1.00	
7	56003442	4	VIS M10 1 5 X 20 MM	
8	56009018	2	VIS SANS TETE 1/4 20	
9	56009115	4	RONDELLE 59	
10	56112771	3	FIXATION TUYAU SAE 10 E0	

Note 1: Machines after SN 1734015 are built with the 2004 certified engine.

LPG Engine Assembly - Engine System until 20

CR 1100/1200/1400

16-02-2015

MD Liste de pièces
E1412119

118

Pos	Réf. Pièce	Qté	Description	
11	56003352	1	NUT HEX M8	
12	56329145	4	FIXATION TUYAU SAE 24E000	
13	56440213	4	FIXATION TUYAU 3 81MM	
14	56456304	1	DURITE	
15	56462247	1	PLUG-6 E00551	
16	56478461	1	INDICATEUR	
17	56478685	4	AMORTISSEUR CAOUTCHOU	
18	56155640	1	RACCORD M/M 3/8SME X 1/4	non certified
18	56456436	1	RACCORD UNION 5/8SMEX3/8S	2004 certified
19	56304625	1	WELDMENT REAR MOUNT	
20	56304634	1	WELDMENT TUBE	non certified
20	56305907	1	WELDMENT TUBE	2004 certified / before SN1780553
20	56305946	1	TUBE WELDMENT	2004 certified / after SN1780552
21	56304904	1	FILTRE A AIR COMPLET	
22	56111874	1	ENGINE-GM 1.6L PSI PETROL	2004 certified
22	56305006	1	ENGINE GM 1.6L PROPANE	non certified
23	56305084	1	ENGINE MOUNT FRONT	
24	56305094	1	SONDE CPLT HUILE	
25	56305219	1	PLATE	before SN1785211
25	56305909	1	SUPPORT	after SN1785210
26	56305240	1	TUBE WELDMENT	
27	56305242	1	COURROIE D ALTERNATEUR	
28	56305374	1	HOSE ASSEMBLY	
29	56305390	1	TUBE WELDMENT	before SN1780553
29	56305948	1	TUBE WELDMENT	after SN1780552
30	56305458	1	HOSE FORMED	
31	56305490	1	HOSE CONNECTOR	
32	56305510	1	LP BRACKET	
33	56305113	1	HOSE RADIATOR	
34	56900300	1	CONN.MALE METRIC	
35	56001879	2	RONDELLE 1/2 SAE	
36	56481546	1	BOUCHON FILETE	
37	56419626	1	HOSE HEATER E00538	2004 certified
24A	56305098	1	SONDE NIVEAU HUILE MOTEUR	
24B	56305619	1	DISTRIBUTEUR	

Note 1: Machines after SN 1734015 are built with the 2004 certified engine.

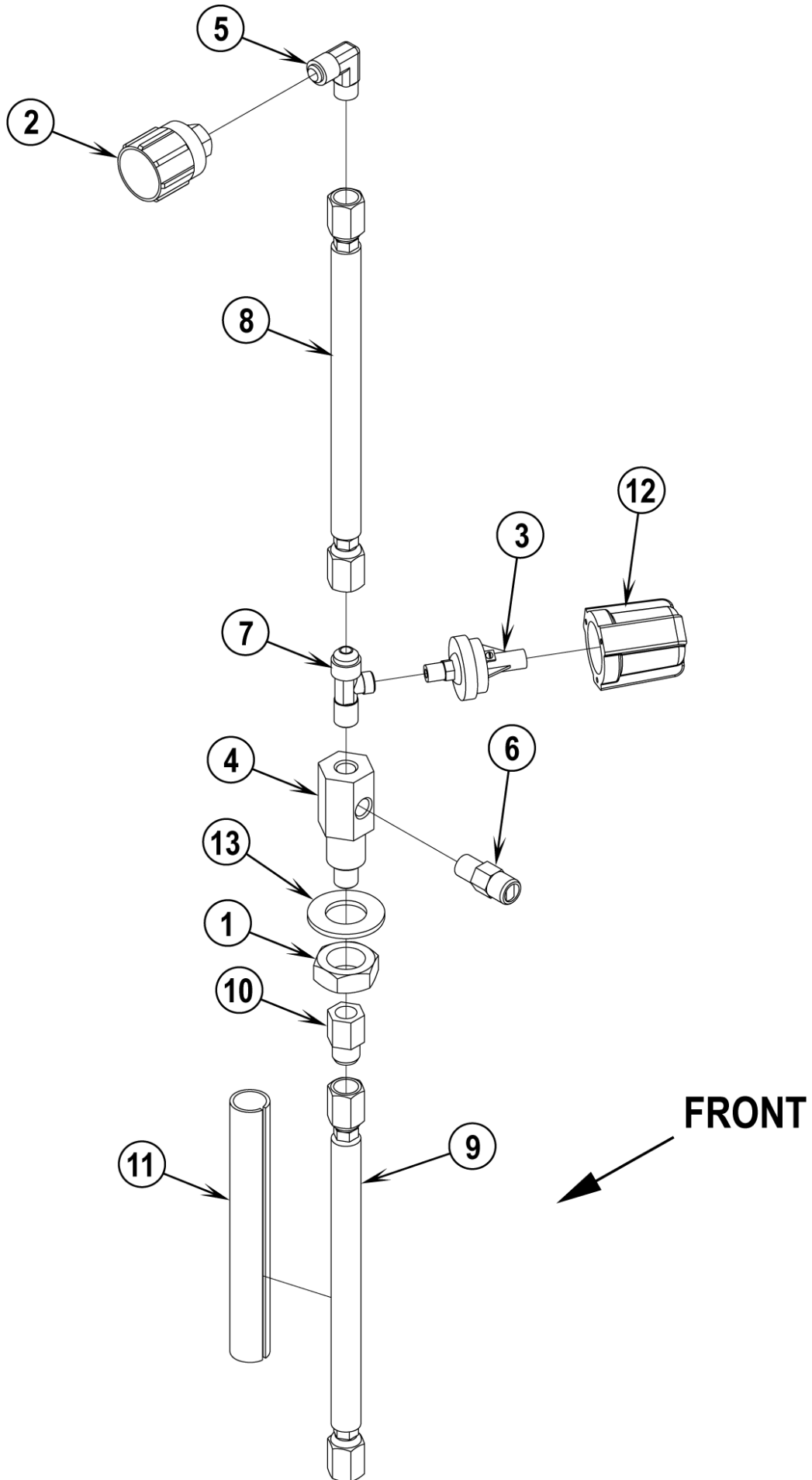
LPG Filter Assembly - Engine System until 20

CR 1100/1200/1400

16-02-2015

ID Liste de pièces
E1412121

119



LPG Filter Assembly - Engine System until 200

CR 1100/1200/1400

16-02-2015

Liste de pièces
E1412121

120

Pos	Réf. Pièce	Qté	Description
0	56305089	1	KIT FILTRE LPG
1	56002615	1	ECROU 7/8 14
2	56369675	1	COUPLER FEMALE CV140P
3	56418381	1	SONDE DE PRESSION S3
4	56418934	1	RACCORD
5	56456608	1	COUDE A 90°
6	56456624	1	BOUCHON FILETE
7	56900921	1	RACCORD EN T
8	56305503	1	FLEXIBLE BOUTEILLE DE GAZ
9	56305504	1	FLEXIBLE LPG
10	56305505	1	ADAPTATEUR 45°
11	56305506	1	GAINÉ
12	56419241	1	BOUTON DE REGLAGE DE PRESSION
13	56002228	1	RONDELLE PLATE SAE 7/8

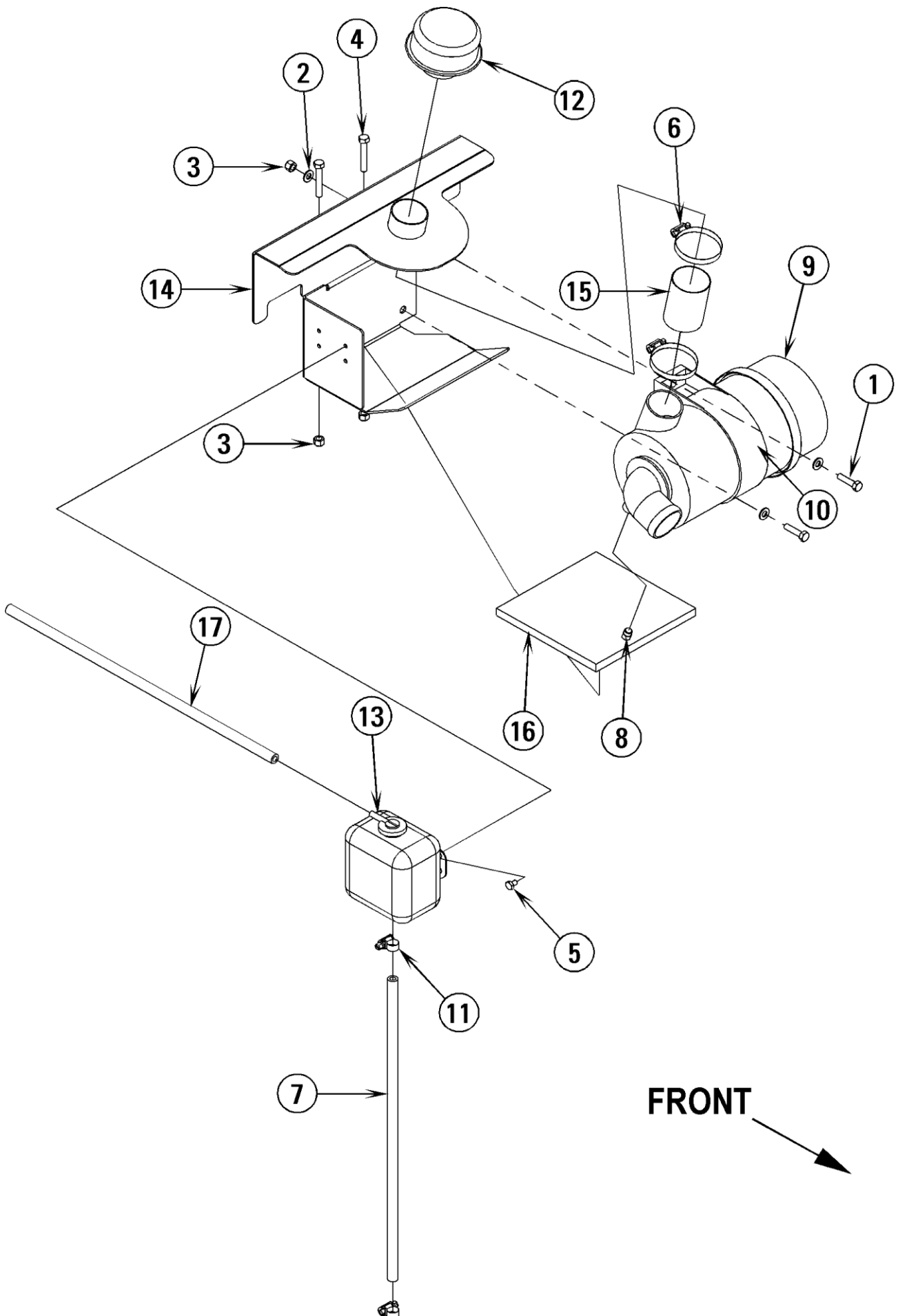
Air Filter Assembly - Engine System until 200

CR 1100/1200/1400

16-02-2015

ID Liste de pièces
E1412123

121



Air Filter Assembly - Engine System until 200

CR 1100/1200/1400

16-02-2015

ID Liste de pièces
E1412123

122

Pos	Réf. Pièce	Qté	Description
0	56304904	1	FILTRE A AIR COMPLET
1	56001834	2	VIS 6 PANS 5/16 18X1 25
2	56001939	4	RONDELLE PLATE SAE 5/16
3	56002701	4	VIS 5/16 18 X 62
4	56002721	2	SCR HEX 5/16-18 X 2.00
5	56009019	4	VIS 1/4 20 X 0 38
6	56440213	2	FIXATION TUYAU 3 81MM
7	56305443	2	FLEXIBLE
8	56481546	1	BOUCHON FILETE
9	56482028	1	FILTRE SECONDAIRE inside / 2.31 x 10.25 - Not Shown
9	56482029	1	FILTRE A AIR PRINCIPAL outside / 4.19 x 10.56 - Not Shown
9	56482478	1	FILTRE A AIR COMPLET
10	56482621	1	BAND ASSY
11	56756364	2	COLLIER DE SERRAGE
12	56419312	1	FILTRE EXTERIEUR
13	7-07-02002	1	BOCAL LIQUIDE REFROIDIS
14	56305339	1	WELDMENT MOUNT
15	56305340	1	HOSE
16	56305341	1	FOAM

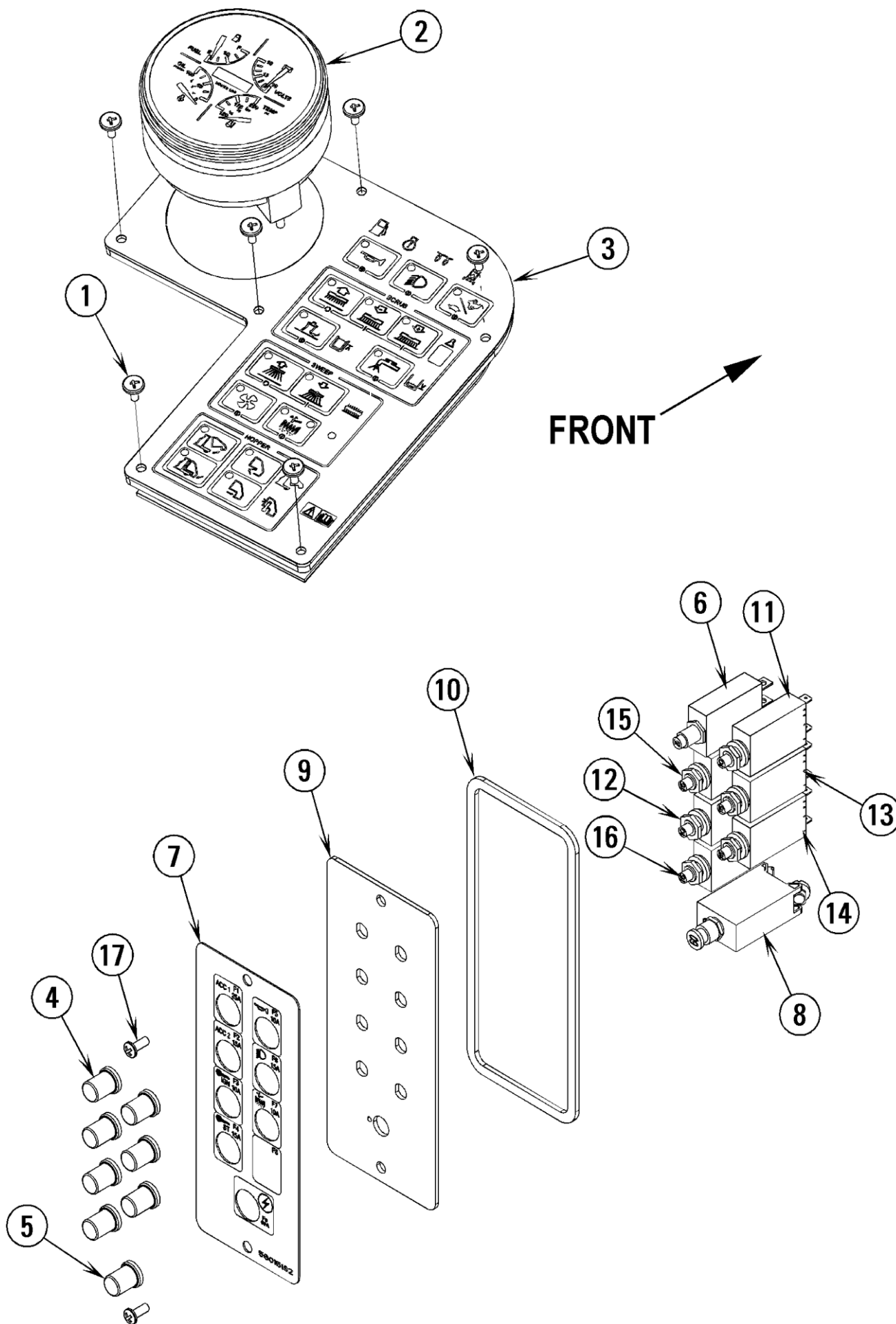
Control & Circuit Breaker Panel Assemblies - Er

CR 1100/1200/1400

16-02-2015

Liste de pièces
E1412125

123



Control & Circuit Breaker Panel Assemblies - Er

CR 1100/1200/1400

16-02-2015

D Liste de pièces
E:1412125

124

Pos	Réf. Pièce	Qté	Description	
0	56304843	1	CIRCUIT BREAKER PANEL ASSEMBLY	all models / 4-17
0	56305230	1	PROPANE GAUGE PANEL ASSEMBLY	1-3
0	56305485	1	JAUGE	1-3
1	56009206	6	VIS 10 24X50	
2	56304569	1	INDICATEUR NIVEAU 4 EN 1	Gasoline/Petrol and Diesel
2	56304589	1	JAUGE	LPG
3	56305229	1	PANNEAU DE CDE A MEMBRANE	Includes Membrane Switch
4	56459367	7	BOUTON DE REMISE A ZERO	
5	56459368	1	COMMANDE DE REMISE A ZERO	
6	56469788	1	DISJONCTEUR 25 0	ACC1 / F1
7	56015182	1	DECAL CIRCUIT BREAKER	
8	56263260	1	DISJONCTEUR 60 A	Main / F9
9	56304842	1	PLATE CIRCUIT BREAKER MOUNT	
10	56305232	1	GASKET	
11	56387316	1	DISJONCTEUR 10A	Horn / F5
12	56387316	1	DISJONCTEUR 10A	IGN / F3
13	56454538	1	DISJONCTEUR 15A	Headlight / F6
14	56454538	1	DISJONCTEUR 15A	Shaker / F7
15	56454538	1	DISJONCTEUR 15A	ACC2 / F2
16	56454538	1	DISJONCTEUR 15A	ST / F4
17	56001993	2	VIS TETE PL PHIL 10 24X 5	

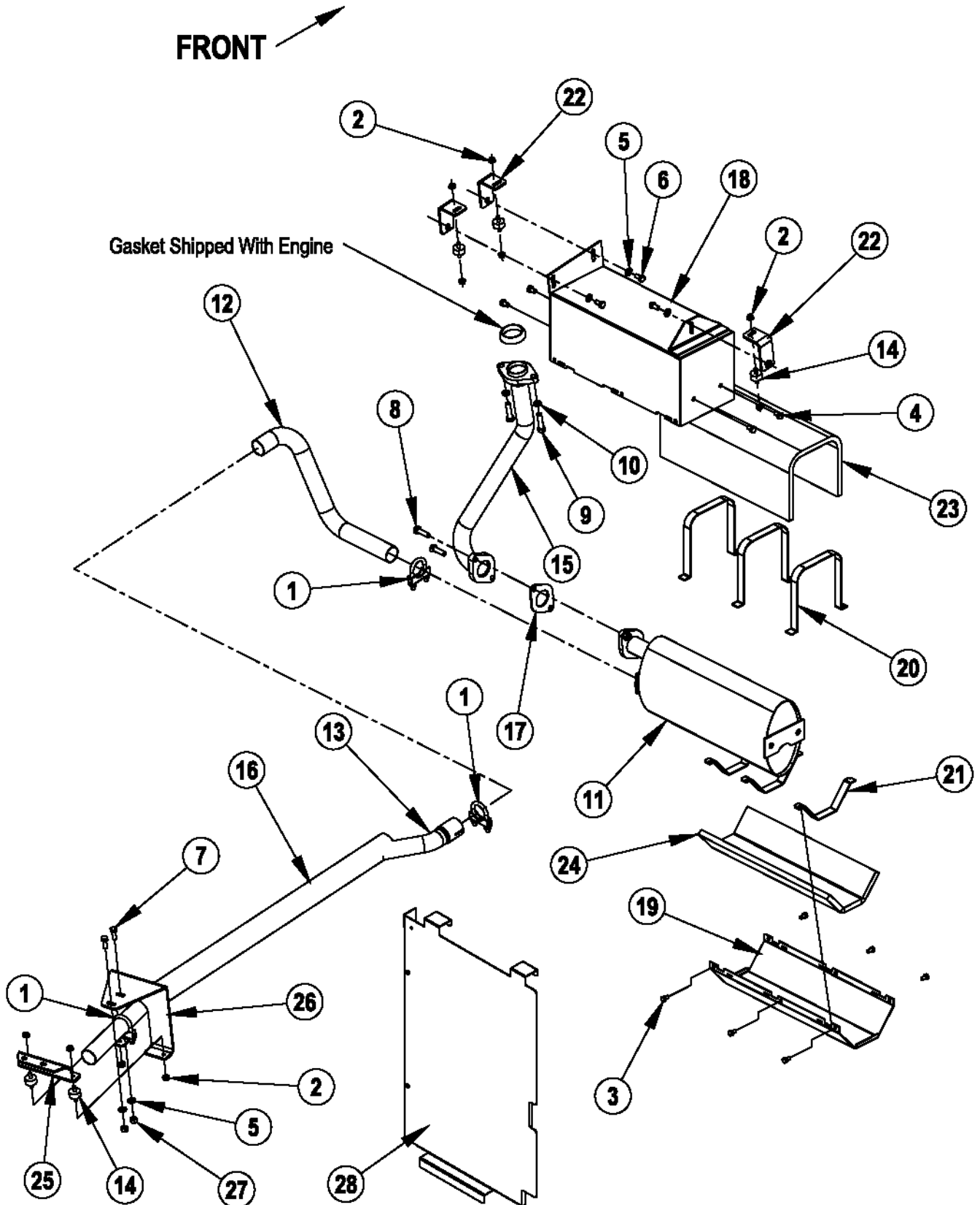
Exhaust System (All models & gasoline/petrol b

CR 1100/1200/1400

16-02-2015

ID Liste de pièces
E1412127

125



Exhaust System (All models & gasoline/petrol b

CR 1100/1200/1400

16-02-2015

ID Liste de pièces
E1412127

126

Pos	Réf. Pièce	Qté	Description	
0	56305017	1	ECHAPPEMENT COMPLET	NON CERTIFI ED / LPG / NILFISK GASOLINE/PETROL BEF
	56305689	1	KIT D ECHAPPEMENT COMPLET	DIESEL
1	56456833	3	FIXATION DE BOITE+B28	
2	56002708	10	LIQUET D ARRÊT 1/4 20	
3	56001854	6	VIS 6 PANS 1/4 20X.50	
4	56001862	4	VIS 5/16EME 18 X 0 50	
5	56001939	5	RONDELLE PLATE SAE 5/16	
6	56002035	3	VIS 5/16 18 X .62	
7	56002037	2	VIS HEX 5/16 18X.88	
8	56002254	2	SCR HEX HD 3/8 24 X 1 25	
9	56003683	2	SCR HEX M10-1.5X40MM CLASS10.9	GASOLINE/PETROL & LPG
10	56003684	2	RONDELLE M10	GASOLINE/PETROL & LPG
11	56305595	1	POT D ECHAPPEMENT	NON CERTIFI ED GASOLINE/PETROL, LPG, DIESEL & ALL
12	56305004	1	TUBE DE SORITE D ECHAPPEMENT	
13	56305016	1	TUBE DE SORITE D ECHAPPEMENT	
14	56305216	5	SILEN BLOC AMORTISSEUR	
15	56305305	1	EXHAUST PIPE WELDMENT	GASOLINE/PETROL & LPG
16	56305343	1	TUBE ISOLATION	
17	56305549	1	JOINT	
18	56305567	1	CARTER DE PROTECTION SUPERIEUR DE POT	
19	56305571	1	CARTER DE PROTECTION INFERIEUR DE POT	
20	56305575	3	COLLIER DE FIXATION SUP. DE POT D ECHAPP	
21	56305576	3	COLLIER DE FIXATION INFER. DE POT D ECHA	
22	56305580	3	SUPPORT ANGLE 90DIA	
23	56305583	1	ISOLANT THERMIQUE SUPERIEUR	
24	56305584	1	ISOLANT THERMIQUE INFERIEUR	
25	56305878	1	SUPPORT	TSBUS2004-866
26	56305877	1	BRACKET TAILPIPE	TSBUS2004-866
27	56002701	2	VIS 5/16 18 X 62	
28	56009030	2	VIS TETE PLATE CRUCIFORME	AFTER SN1758210 - Not Shown
28	56305034	1	ENGINE INSULATION	Not Shown
28	56305045	1	PANEL REAR	Not Shown
28	56305047	1	PANEL ASSEMBLY	
28	56305942	1	PANEL REAR	AFTER SN1758210 - Not Shown

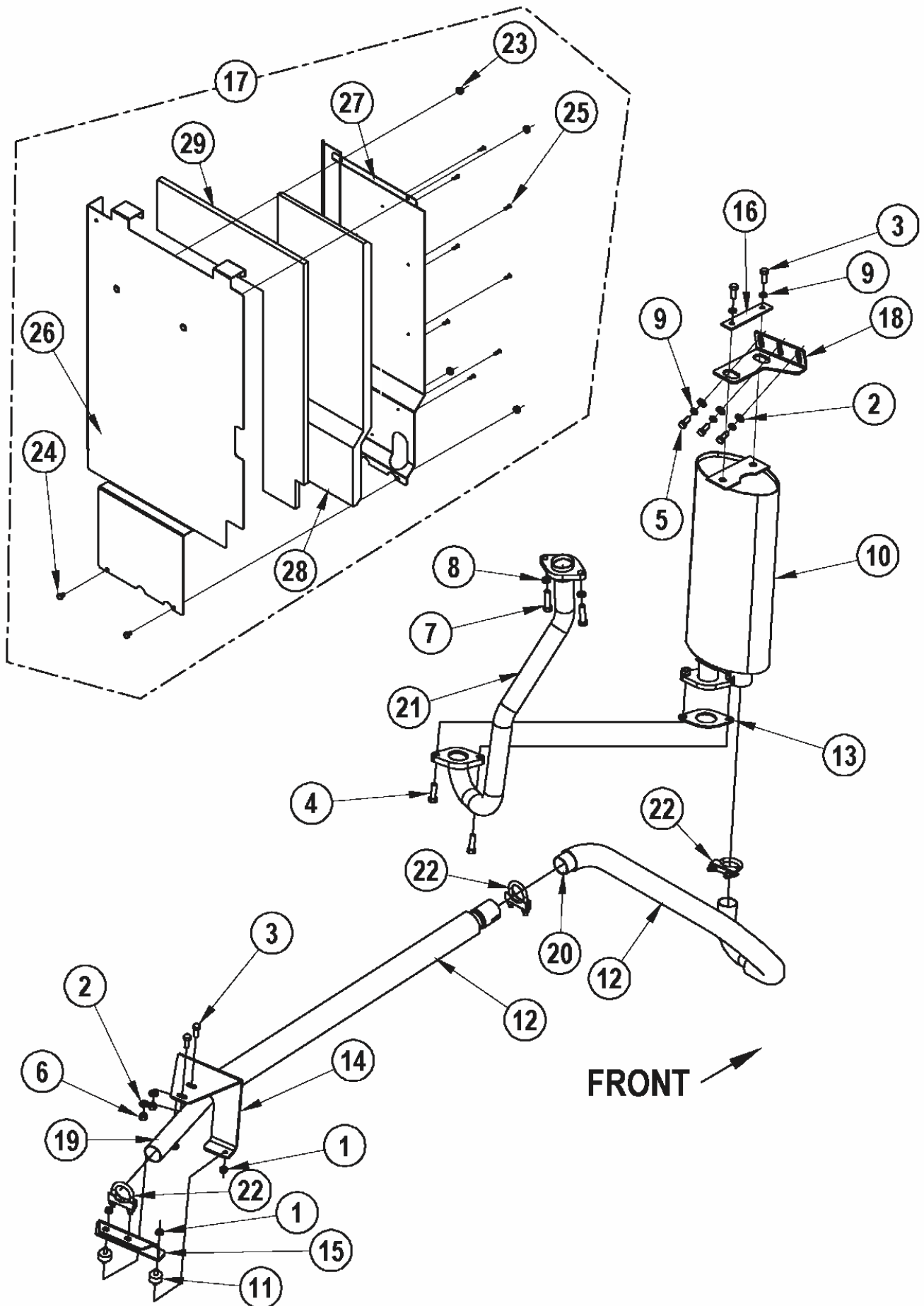
Exhaust System (Gasoline/Petrol only after SN1

CR 1100/1200/1400

16-02-2015

ID Liste de pièces
E1412129

127



Exhaust System (Gasoline/Petrol only after SN17

CR 1100/1200/1400

16-02-2015

MD Liste de pièces
E1412129

128

Pos	Réf. Pièce	Qté	Description	
	56305959	1	POT D ECHAPPEMENT COMPLET	Nilfisk Gasoline/Petrol only after SN1758210
1	56002708	4	LIQUET D ARRÊT 1/4 20	
2	56001939	5	RONDELLE PLATE SAE 5/16	
3	56002037	4	VIS HEX 5/16 18X88	
4	56002254	2	SCR HEX HD 3/8 24 X 1 25	
5	56002667	3	VIS 6 PANS 5/16 18X0 75	
6	56002701	2	VIS 5/16 18 X 62	
7	56003694	2	VIS M10-1.50X35MM CLS 10.9	
8	56003684	2	RONDELLE M10	
9	56003685	5	WASHER NORD LOC M8	
10	56305595	1	POT D ECHAPPEMENT	Nilfisk models only
11	56305216	2	SILEN BLOC AMORTISSEUR	
12	56305343	2	TUBE ISOLATION	
13	56305549	1	JOINT	
14	56305877	1	BRACKET TAILPIPE	
15	56305878	1	SUPPORT	
16	56305898	1	PLAQUE	
17	56305901	1	TANK PANEL ASSEMBLY	items 23-29
18	56305906	1	MOUNT CAT/CON	
19	56305911	1	TUBE D ECHAPPEMENT	
20	56305913	1	TUBE D ECHAPPEMENT	
21	56305915	1	TUBE D ECHAPPEMENT	
22	56456833	3	FIXATION DE BOITE+B28	
23	56002708	4	LIQUET D ARRÊT 1/4 20	
24	56001861	2	VIS 1/4 20 X .38	
25	56002438	8	VIS	
26	56305902	1	PANEL REAR	
27	56305903	1	PANEL	
28	56305904	1	INSULATION THERMAL	
29	56305943	1	PANEL INSULATION	

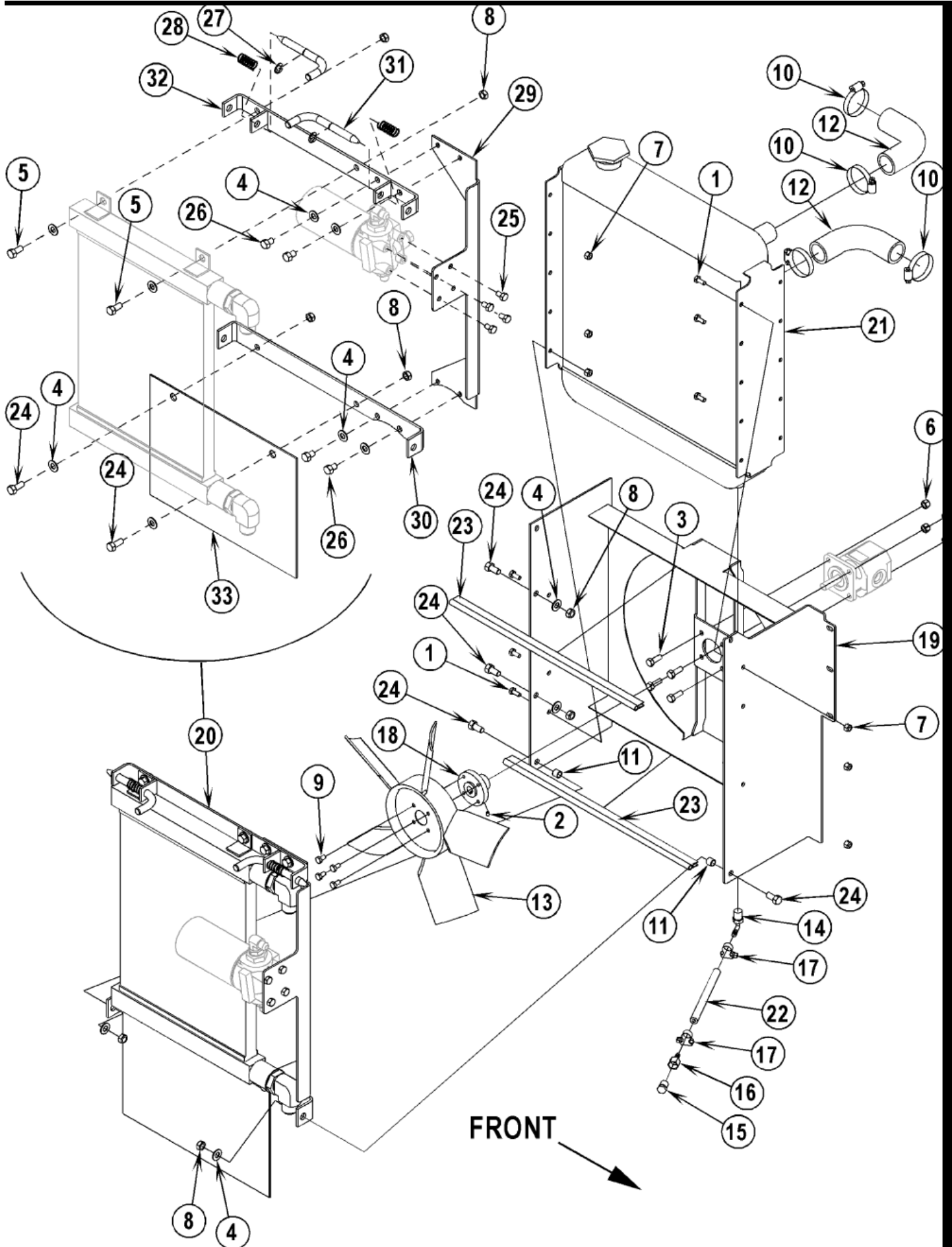
Radiator Assembly (Before SN1780553) - Engine

16-02-2015

ID Liste de pièces
E1412131

CR 1100/1200/1400

129



Radiator Assembly (Before SN1780553) - Engine

CR 1100/1200/1400

16-02-2015

ID Liste de pièces
E1412131

130

Pos	Réf. Pièce	Qté	Description	
0	56304638	1	RADIATEUR EAU	1-24, except 5
1	56001836	6	VIS 6 PANS 1/4 20X 62	
2	56001841	2	VIS 6 PANS CREUX	
3	56002037	4	VIS HEX 5/16 18X.88	
4	56002063	12	RONDELLE PLATE 3/8SME	
5	56002663	2	VIS	
6	56002701	4	VIS 5/16 18 X 62	
7	56002708	6	LIQUET D ARRÊT 1/4 20	
8	56002769	8	ECROU 3/8SME X 16	
9	56003039	4	IS 1/4 20X1/2	
10	56329145	4	FIXATION TUYAU SAE 24E000	
11	56388326	2	ENTRETOISE	
12	56418227	2	FLEXIBLE DE RADIATEUR	
13	56463704	1	HELICE	
14	56470138	1	RACCORD 1/4X90 DEG E000	
15	56740136	1	PLUG BRASS E00040	
16	56756360	1	HOSE BARB 1/4 BARB X 1/4-18 F	
17	56756364	2	COLLIER DE SERRAGE	
18	56304087	1	FAN SPACER HUB	
19	56304438	1	WELDMENT RADIATOR MOUNT	
20	56304892	1	HYDRAULIC OIL COOLER ASSEMBLY	4, 5, 8 and 24-33
21	56305316	1	RADIATEUR	
21	56456431	1	BOUCHON DE RADIATEUR	
22	56305428	1	HOSE	
23	56418609	2	JOINT	
24	56002271	6	SCR HEX 3/8-16 X .88	
25	56002923	4	SCR HEX LOC 5/16-18 X .50	
26	56003023	4	SCR HEX LOC 3/8-16 X .50	
27	56003264	2	RING RET EXT 1/2 E	
28	56304531	2	SPRING COMPRESSION	
29	56304888	1	BRACKET FILTER	
30	56304890	1	BRACKET	
31	56304973	2	LOCK PIN	
32	56304976	1	WELDMENT BRACKET	
33	56305211	1	FLAP	

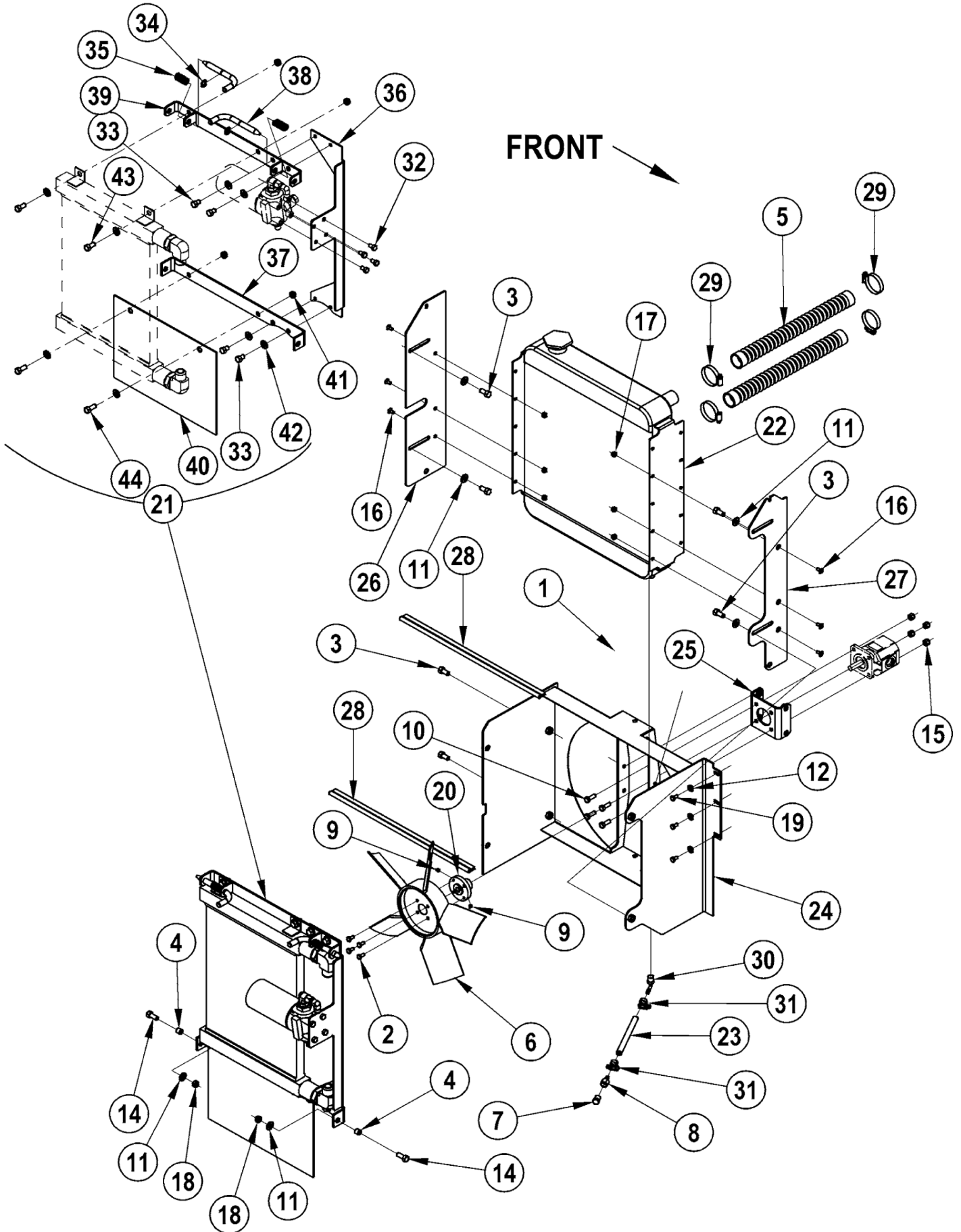
Radiator Assembly (After SN1780552) - Engine S

CR 1100/1200/1400

16-02-2015

ID Liste de pièces
E1412133

131



Radiator Assembly (After SN1780552) - Engine S

CR 1100/1200/1400

16-02-2015

ID Liste de pièces
E1412133

132

Pos	Réf. Pièce	Qté	Description	
0	56305933	1	RADIATOR ASSEMBLY	1-31
1	56002956	4	VIS 5/16-18X75	
2	56003039	4	IS 1/4 20X1/2	
3	56003079	6	VIS	
4	56388326	2	ENTRETOISE	
5	56456304	2	DURITE	
6	56463704	1	HELICE	
7	56740136	1	PLUG BRASS E00040	
8	56756360	1	HOSE BARB 1/4 BARB X 1/4-18 F	
9	56001841	2	VIS 6 PANS CREUX	
10	56002037	4	VIS HEX 5/16 18X.88	
11	56002063	6	RONDELLE PLATE 3/8SME	
12	56002098	3	LAQUE DE SUPPORT 1/4	
14	56002271	2	SCR HEX 3/8-16 X .88	
15	56002701	4	VIS 5/16 18 X 62	
16	56002711	6	ECROU	
17	56002840	6	VIS 1/4 20	
18	56002769	2	ECROU 3/8SME X 16	
19	56009033	3	VIS 6 PANS 1/4 20 X 50	
20	56304087	1	FAN SPACER HUB	
21	56304892	1	HYDRAULIC OIL COOLER ASSEMBLY	32-44
22	56305316	1	RADIATEUR	
23	56305428	1	HOSE	
24	56305889	1	RADIATOR MOUNT WELDMENT	
25	56305892	1	BRACKET FAN MOUNT	
26	56305921	1	BRACKET RADIATOR MOUNT	
27	56305922	1	BRACKET RADIATOR MOUNT	
28	56305935	2	TRIM SEAL	
29	56329145	4	FIXATION TUYAU SAE 24E000	
30	56470138	1	RACCORD 1/4X90 DEG E000	
31	56756364	2	COLLIER DE SERRAGE	
32	56002923	4	SCR HEX LOC 5/16-18 X .50	
33	56003023	4	SCR HEX LOC 3/8-16 X .50	
34	56003264	2	RING RET EXT 1/2 E	
35	56304531	2	SPRING COMPRESSION	
36	56304888	1	BRACKET FILTER	
37	56304890	1	BRACKET	
38	56304973	2	LOCK PIN	
39	56304976	1	WELDMENT BRACKET	
40	56305211	1	FLAP	
41	56002769	4	ECROU 3/8SME X 16	
42	56002063	8	RONDELLE PLATE 3/8SME	
43	56002663	2	VIS	

Radiator Assembly (After SN1780552) - Engine S

CR 1100/1200/1400

16-02-2015

ID Liste de pièces
E1412133

133

Pos	Réf. Pièce	Qté	Description
44	56002271	2	SCR HEX 3/8-16 X .88

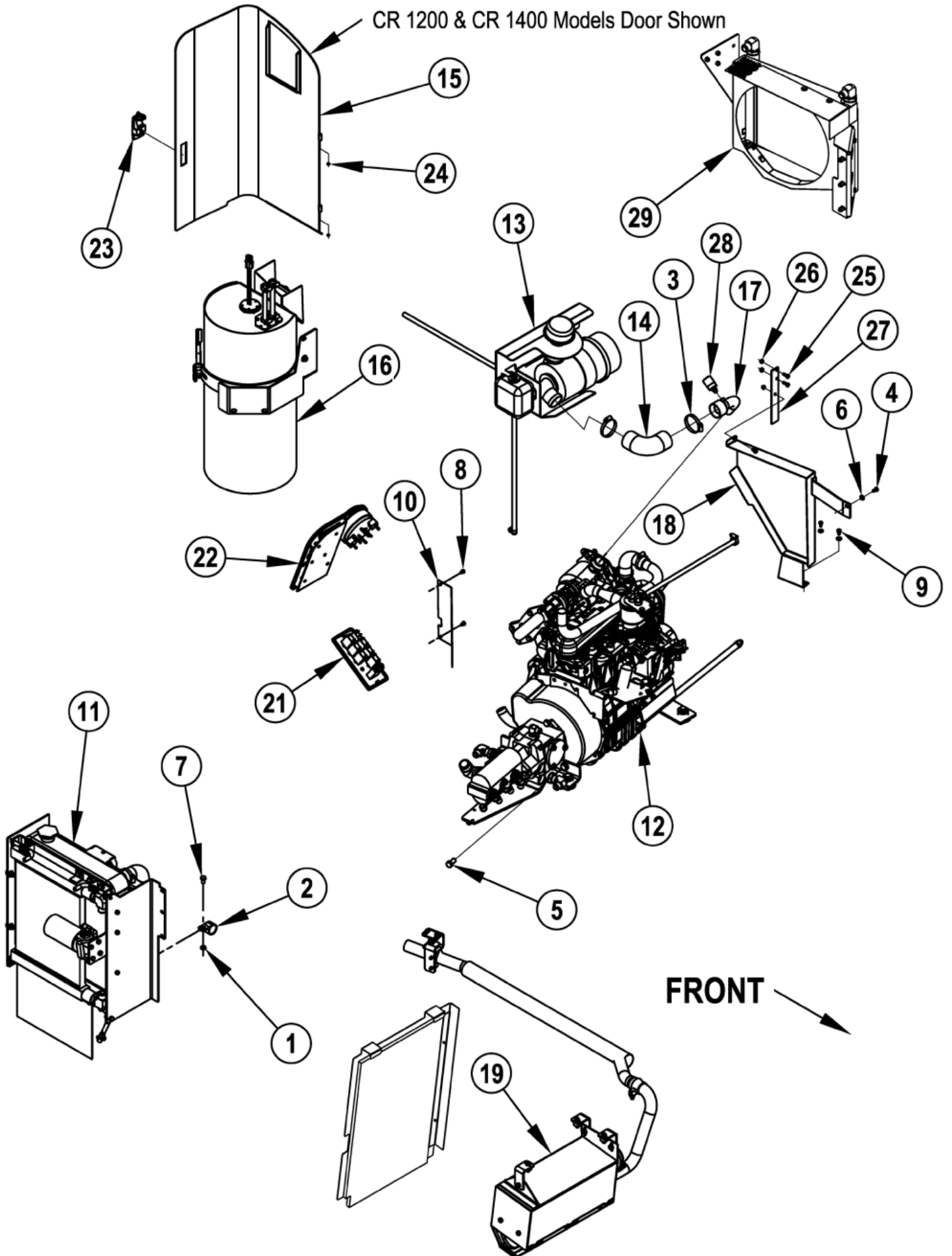
Diesel Engine System - CR 1200/1400 - Engine f

CR 1100/1200/1400

16-02-2015

ID Liste de pièces
E17613

134



Diesel Engine System - CR 1200/1400 - Engine fr

CR 1100/1200/1400

16-02-2015

ID Liste de pièces
E17/613

135

Pos	Réf. Pièce	Qté	Description	
0	56501005	2	ANTI-FREEZE	Not shown
0	56501068	1	OIL 10W30 6/1 API CF	Not shown
1	56002841	1	NUT HEX NYL LOC-THIN 3/8-16	
2	56409463	1	FIXATION 1 25 TUYAU SU	
3	56440213	2	FIXATION TUYAU 3 81MM	
4	56001854	2	VIS 6 PANS 1/4 20X50	NOTE 1
5	56001895	2	VIS 6 PANS 1/2 13X1 00	NOTE 1
6	56002098	3	LAQUE DE SUPPORT 1/4	NOTE 1
7	56002234	1	SCR HEX 3/8-16 X .62	
8	56009019	2	VIS 1/4 20 X 0 38	
9	56009033	2	VIS 6 PANS 1/4 20 X 50	NOTE 1
10	56305853	1	HEAT SHIELD	
11	56305933	1	RADIATOR ASSEMBLY	NOTE 1
11	56307046	1	RADIATOR ASSEMBLY	NOTE 2
12	56304795	1	ENGINE ASSY DIESEL	NOTE 1
12	56307241	1	HT DIESEL ENGINE ASSY	NOTE 2
13	56304904	1	FILTRE A AIR COMPLET	
14	7-33-02711	1	HOSE-INTAKE	
15	56305436	1	PANNEAU DE PORTE	CR 1200 / CR 1400
16	56305451	1	DIESEL FUEL ASSEMBLY	CR 1200 / CR 1400
17	56305665	1	TUBE WELDMENT	
18	56305671	1	BELT GUARD WELDMENT	NOTE 1
19	56305689	1	KIT D ECHAPPEMENT COMPLET	
21	56304843	1	CIRCUIT BREAKER PANEL ASSEMBLY	
22	56305485	1	JAUGE	
23	56418471	1	SYSTEME D OUVERTURE	
24	56416454	2	TIGE DE CHARNIERE	
25	56002155	2	VIS 1/4 20X.75	NOTE 1
26	56002840	3	VIS 1/4 20	NOTE 1
27	56305967	1	BRACKET BELT GUARD	NOTE 1
28	7-24-04087	1	TEMOIN COLMATAGE AIR	
29	56307247	1	DIESEL COOLER KIT	NOTE 2

NOTE 1: These items are not used on the HT models 56307237 & 56307239.

NOTE 2: These items are only used on the HT models 56307237 & 56307239.

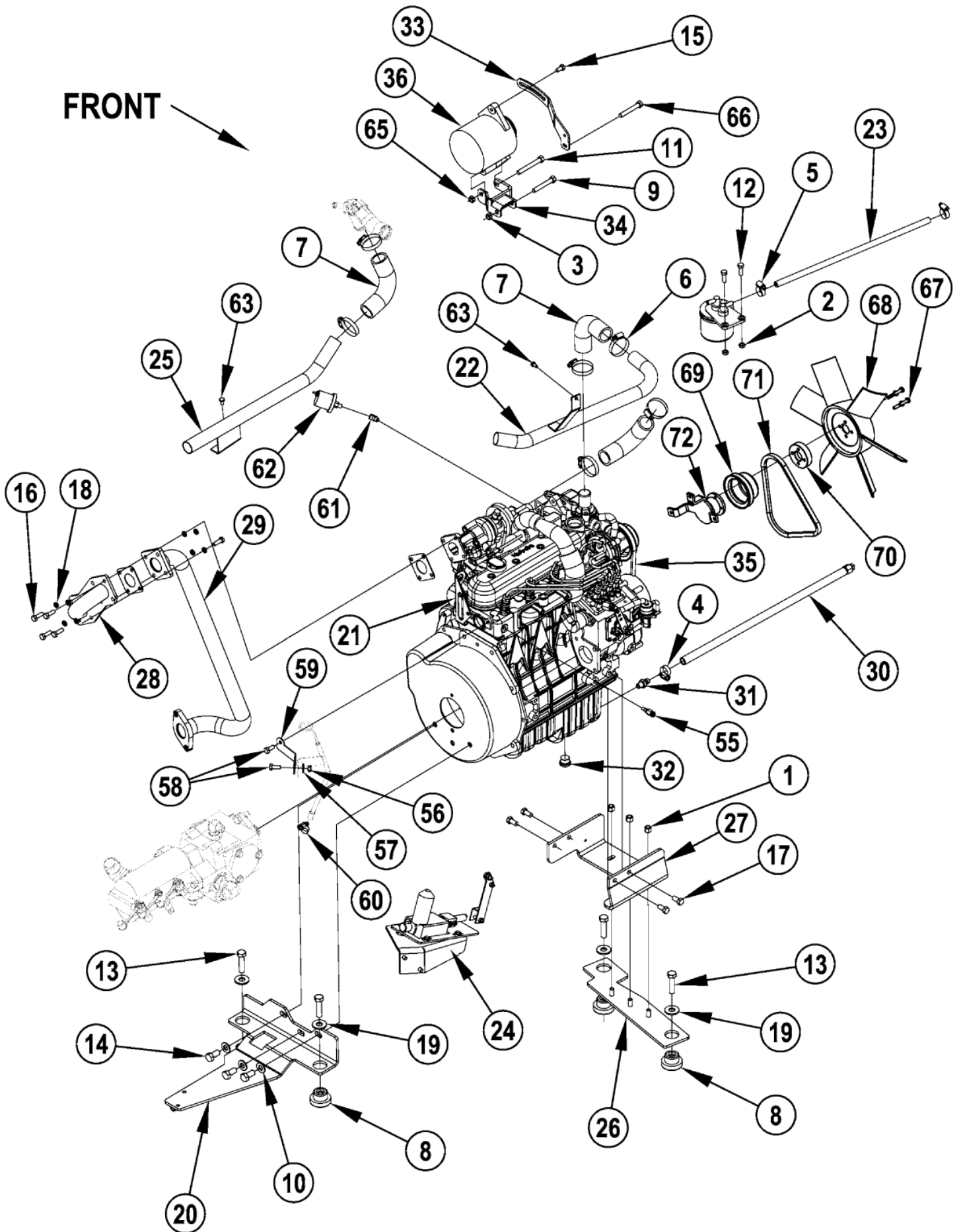
Diesel Engine Assembly - CR 1200/1400 - Engine

CR 1100/1200/1400

16-02-2015

ID Liste de pièces
E17615

136



Diesel Engine Assembly - CR 1200/1400 - Engine

CR 1100/1200/1400

16-02-2015

ID Liste de pièces
E17/615

137

Pos	Réf. Pièce	Qté	Description	
0	56111320	1	PIECE D ACCOUPLEMENT ENTRE POMPE ET MOTEUR D.	
0	56304348	1	VERRIN ACCELERATION	Not shown
0	56305866	1	COURROIE	optional, required for 56305867 - Not shown
0	56305867	1	ALTERNATEUR	optional - Not shown
0	56305873	1	SONDE DE TEMPERATURE	Not shown
0	56380139	1	PUMP HOUSING ASSY	
0	56380140	1	HUB ENGINE	
0	56380146	1	KIT HARDWARE ENGINE HUB	
0	56418793	1	POMPE FUEL	Not shown
0	56419054	1	FILTRE	Not shown
0	56419086	1	FILTRE CARTOUCHE FUEL	Not shown
0	56419088	1	SONDE THERMOSTAT	Not shown
0	56419089	1	DEMAREUR MOTEUR KUBOTA	Not shown
0	56419090	1	SONDE DE PRESSION D HUILE	Not shown
0	56419091	1	CONTACT DE TEMPERATURE	Not shown
0	56419107	2	JOINT ECHAPEMENT	Not shown
0	56419307	1	FILTRE FUEL	Not shown
0	56419446	1	SOLENOID POMPE INJECTION 12 VOLTS	Not shown
0	56463590	1	RELAIS	Not shown
0	56482659	1	FILTRE HUILE	Not shown
0	56504545	1	SEAL-CRANK -OIL-FRONT	Not shown
0	56504546	1	SEAL-CRANK -OIL-REAR	Not shown
1	56002769	3	ECROU 3/8SME X 16	
2	56002826	2	ECROU 5/16 18	
3	56002841	1	NUT HEX NYL LOC-THIN 3/8-16	
4	2-95-04388	1	ATTACHE/COLLIER/FIXATION	
5	56219932	2	COLLIER DE FIXATION	
6	2-00-03404	6	COLLIER SERFLEX	
7	56418227	3	FLEXIBLE DE RADIATEUR	
8	56478685	4	AMORTISSEUR CAOUTCHOUC	
9	56001873	1	SCR HEX 3/8-16 X 2.50	
10	56001879	3	RONDELLE 1/2 SAE	
11	56003763	1	SCR HEX M10-1.5 X 75MM	
12	56002221	2	SCR HEX 5/16-18 X 1.00	
13	56002983	4	VIS 1/2 13 X 2 00	
14	56003083	3	VIS 1/2 13X1.00	
15	56003178	1	VIS M8 125 X 16	
16	56003180	8	SCR HEX THD/HD M8-1.25X25MM	
17	2-00-05958	4	SCREW HHC M10 X 1.25 X 20MM	
18	56003685	8	WASHER NORD LOC M8	
19	56009115	4	RONDELLE 59	
20	56306047	1	REAR ENGINE MOUNT DIESEL	
21	56304550	1	MOTEUR DIESEL CR 11 .1400	

NOTE 1: These items are only used on the HT models 56307237 & 56307239.

Diesel Engine Assembly - CR 1200/1400 - Engine

CR 1100/1200/1400

16-02-2015

ID Liste de pièces
E17/615

138

Pos	Réf. Pièce	Qté	Description	
22	56305950	1	TUBE WELDMENT	
23	56492259	1	HOSE FUEL LINE E00556	
24	56304727	1	VERIN	
25	56305975	1	TUBE WELDMENT	
26	56306046	1	ENGINE MOUNT DIESEL	
27	56305497	1	FRONT ENGINE MOUNT DIESEL	
28	56305955	1	EXHAUST ADAPTER WELDMENT	
29	56305954	1	TUBE D ECHAPPEMENT	
30	56305836	1	OIL DRAIN HOSE ASSEMBLY	
30	56305837	1	HOSE OIL DRAIN	Not shown
30	56305838	1	BARB HOSE FEMALE	Not shown
30	56744580	1	PLUG BRASS E00040	Not shown
31	56305839	1	BARB MALE METRIC	
32	56305845	1	PLUG METRIC M22 X 1.5	
33	56305862	1	SUPPORT ALTERNATEUR	
34	56305864	1	SUPPORT ALTERNATEUR	
35	56305866	1	COURROIE	
36	56305867	1	ALTERNATEUR	
55	56305873	1	SONDE DE TEMPERATURE	
56	56003389	1	ECROU DE 8 125	
57	56002220	1	WSH FLT STD 5/16	
58	56003179	2	VIS M 8 1 25 X 20	
59	56305926	1	DIPSTICK BRACKET	
60	56756364	1	COLLIER DE SERRAGE	
61	56481658	1	ELBOW 1/8X45 BRASS E00029	
62	56305619	1	DISTRIBUTEUR	
63	56009033	2	VIS 6 PANS 1/4 20 X 50	
65	56003406	1	ECROU M 10 1 50	
66	56003764	1	SCR HEX M6-1 X 55MM	
67	56002093	4	VIS 6 PANS 1/4 20X1 00	NOTE 1
68	56307248	1	FAN 14 IN PUSHER	NOTE 1
69	56307249	1	PULLEY FAN 89MM	NOTE 1
70	56307255	1	SPACER FAN	NOTE 1
71	56419087	1	VENTILLATEUR ALTERNATEUR	NOTE 1
72	56504477	1	KIT LOW FAN KUB 1505	NOTE 1

NOTE 1: These items are only used on the HT models 56307237 & 56307239.

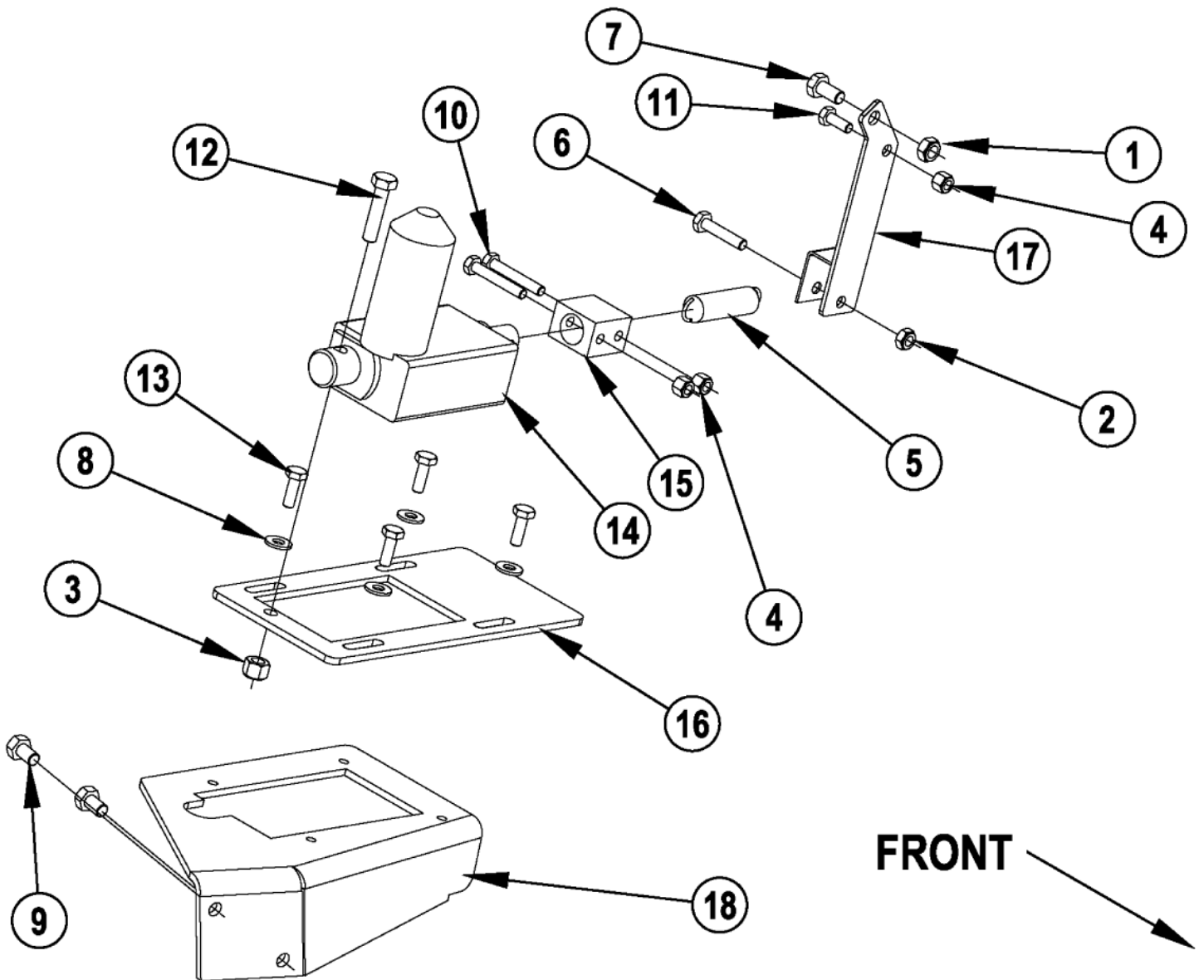
Diesel Actuator Assembly - CR 1200/1400 - Engi

CR 1100/1200/1400

16-02-2015

ID Liste de pièces
E17617

139



Diesel Actuator Assembly - CR 1200/1400 - Engi

CR 1100/1200/1400

16-02-2015

ID Liste de pièces
E17617

140

Pos	Réf. Pièce	Qté	Description
	56304727	1	VERIN
1	56002826	1	ECROU 5/16 18
2	56002840	1	VIS 1/4 20
3	56003389	1	ECROU DE 8 125
4	56003403	3	ECROU M6 1 00
5	56365068	1	RESSORT D EXTENSION 62X2
6	56001878	1	VIS 1/4 20 X1 25 P
7	56002035	1	VIS 5/16 18 X .62
8	56002098	4	LAQUE DE SUPPORT 1/4
9	56002923	2	SCR HEX LOC 5/16-18 X .50
10	56003167	2	VIS M6 1 0 X 40MM
11	56003174	1	VIS M6 1 0 X16MM
12	56003361	1	SCR HEX HD M8 X 35.0
13	56009018	4	VIS SANS TETE 1/4 20
14	56304348	1	VERRIN ACCELERATION
15	56304724	1	BLOCK
16	56304725	1	PLATE
17	56305827	1	LEVER WELDMENT
18	56305870	1	BRACKET THROTTLE ACTUATOR

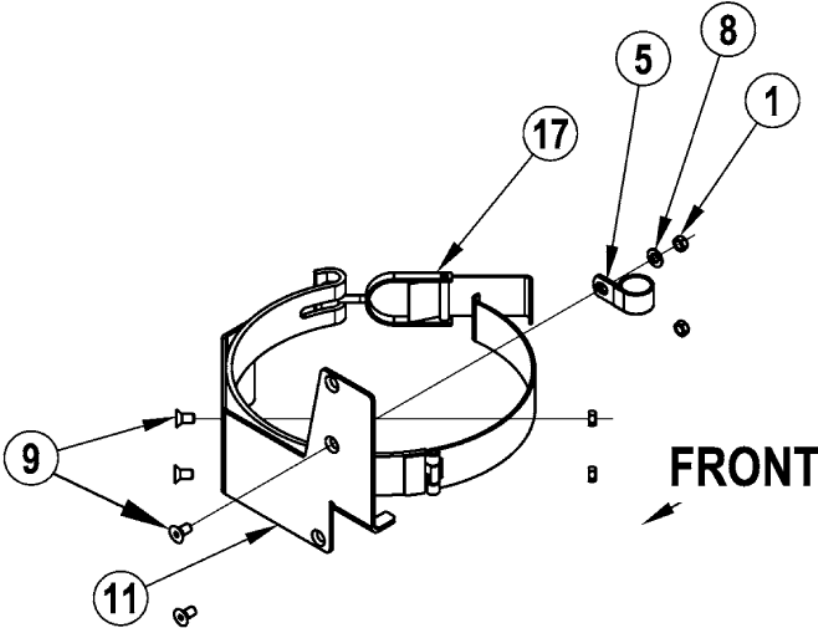
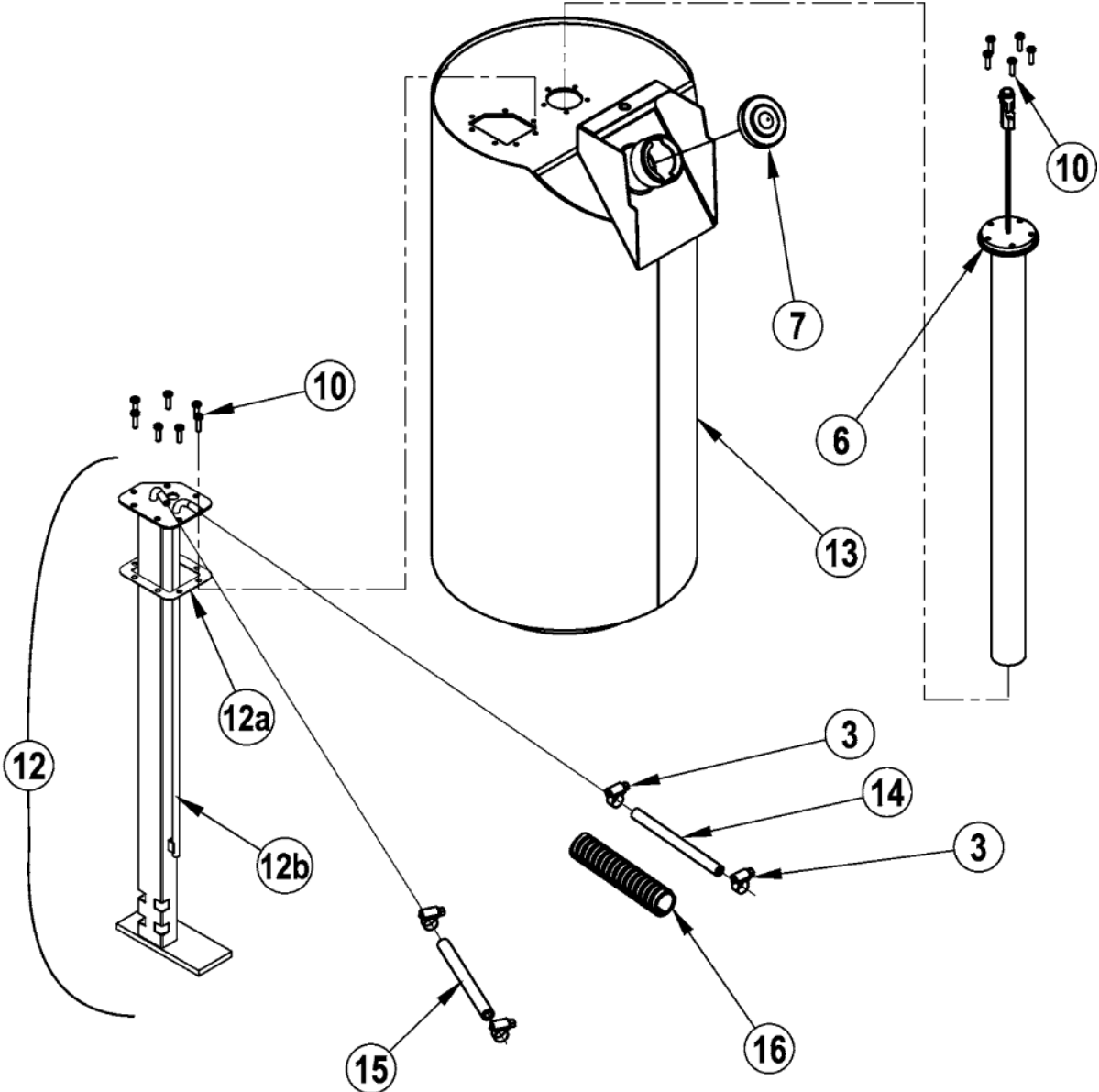
Diesel Fuel Assembly - CR 1200/1400 - Engine fi

CR 1100/1200/1400

16-02-2015

ID Liste de pièces
E17619

141



Diesel Fuel Assembly - CR 1200/1400 - Engine fr

CR 1100/1200/1400

16-02-2015

ID Liste de pièces
E17/619

142

Pos	Réf. Pièce	Qté	Description	
	56305451	1	DIESEL FUEL ASSEMBLY	(CR 1200 AND CR 1400 MODELS / 1-17, EXCEPT 2 AND 4
1	56002841	4	NUT HEX NYL LOC-THIN 3/8-16	
3	56756364	4	COLLIER DE SERRAGE	
5	56409463	1	FIXATION 1 25 TUYAU SU	
6	56455567	1	JAUGE ELECTRIQUE FUEL	
7	56478502	1	BOUCHON DE RESERVOIR DE F	
8	56002063	1	RONDELLE PLATE 3/8SME	
9	56002748	4	SCR FLT SOC 3/8-16 X .75	
10	56009209	12	VIS 10 24 X 1 00	
11	56304865	1	WELDMENT PROPANE TANK BRACKET	
12	56380454	1	KIT SUPPORT DE POMPE	NOTE 1
13	56305757	1	FUEL TANK WELDMENT	(CR 1200 AND CR 1400 MODELS)
14	56305849	1	FLEXIBLE RETOUR FUEL	
15	56305850	1	FLEXIBLE FUEL	
16	56305851	1	CONDUIT	
17	56481997	1	CLAMP	
12A	56418795	1	JOINT	
12B	56305941	1	WIRE ASSEMBLY	NOT SHOWN

NOTE 1: Fuel pump 56305452 is no longer used and no longer available. It has been replaced in production by 56380454 which is a direct replacement.

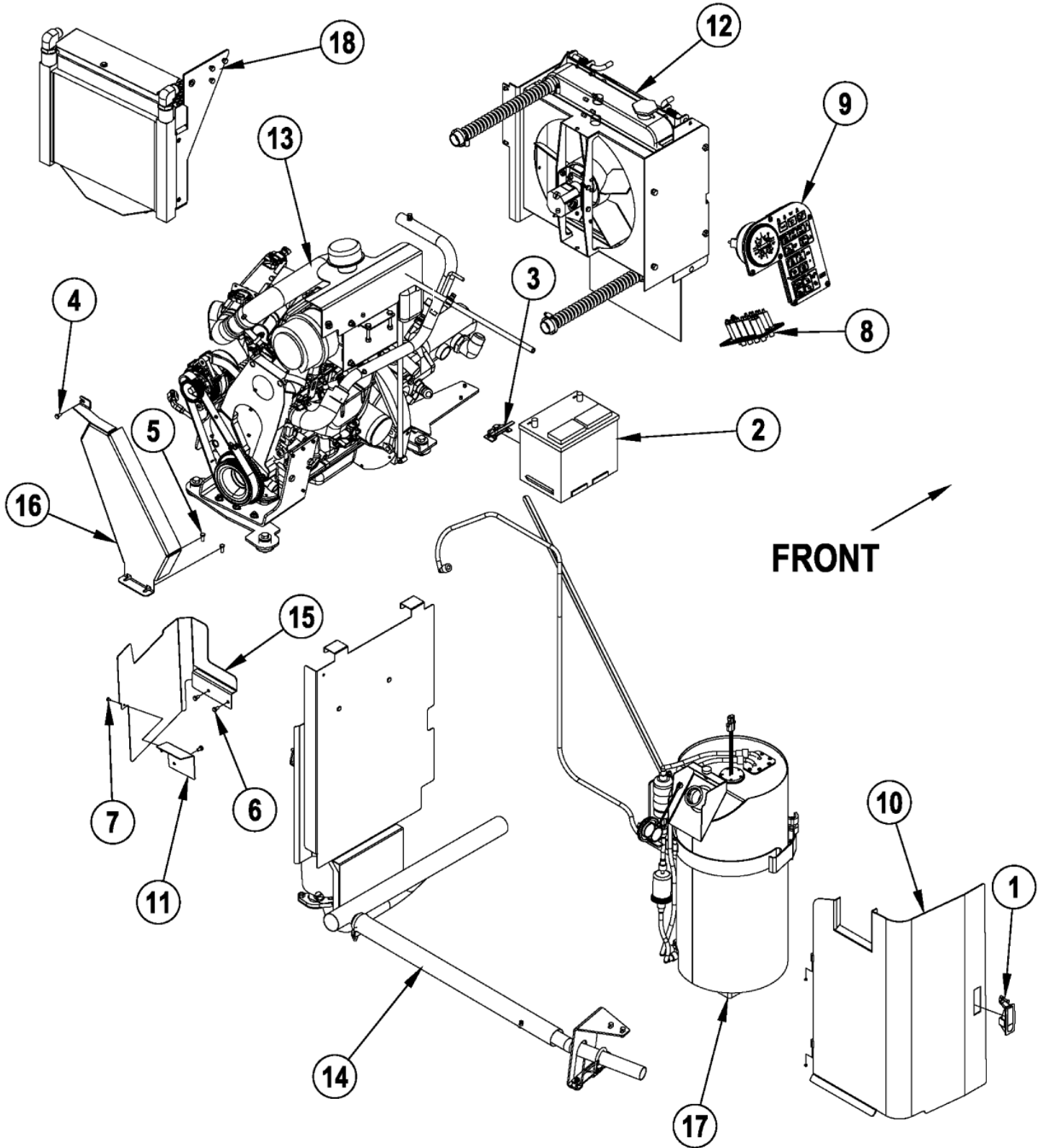
Gasoline/Petrol Engine System - CR 1200/1400 -

CR 1100/1200/1400

16-02-2015

ID Liste de pièces
E176111

143



Gasoline/Petrol Engine System - CR 1200/1400 - CR 1100/1200/1400

16-02-2015

D Liste de pièces
E176111

144

Pos	Réf. Pièce	Qté	Description	
1	56418471	1	SYSTEME D OUVERTURE	
3	56469193	1	CLAMP SET BATTERY	
4	56001854	1	VIS 6 PANS 1/4 20X.50	NOTE 1
5	56009018	2	VIS SANS TETE 1/4 20	NOTE 1
6	56009033	3	VIS 6 PANS 1/4 20 X 50	
7	56009063	1	SCR HEX THD FORM 10-24X .25	
8	56304843	1	CIRCUIT BREAKER PANEL ASSEMBLY	
9	56305485	1	JAUGE	
10	56305436	1	PANNEAU DE PORTE	CR 1200 and CR 1400 models
11	56305900	1	HEAT SHIELD	
12	56305933	1	RADIATOR ASSEMBLY	
12	56307046	1	RADIATOR ASSEMBLY	NOTE 2
13	56306023	1	ENGINE GM 1.6L 2007 ASSY	
13	56307224	1	ENGINE GM 1.6L AR 2007 ASSY	NOTE 2
14	56306030	1	ASSEMBLY EXHAUST	
14	56307240	1	EXHAUST ASSEMBLY	NOTE 2
15	56306038	1	HEAT SHIELD	
16	56306041	1	BELT GUARD WELDMENT	NOTE 1
17	56306077	1	GASOLINE FUEL ASSY	CR 1200 and CR 1400 models
17	56307231	1	GASOLINE FUEL ASSY	NOTE 2
18	56307225	2	COOLER KIT	NOTE 2
18	56501005	2	ANTI-FREEZE	Not shown

NOTE 1: These items are not used on the HT models 56307236 & 56307238.

NOTE 2: These items are only used on the HT models 56307236 & 56307238.

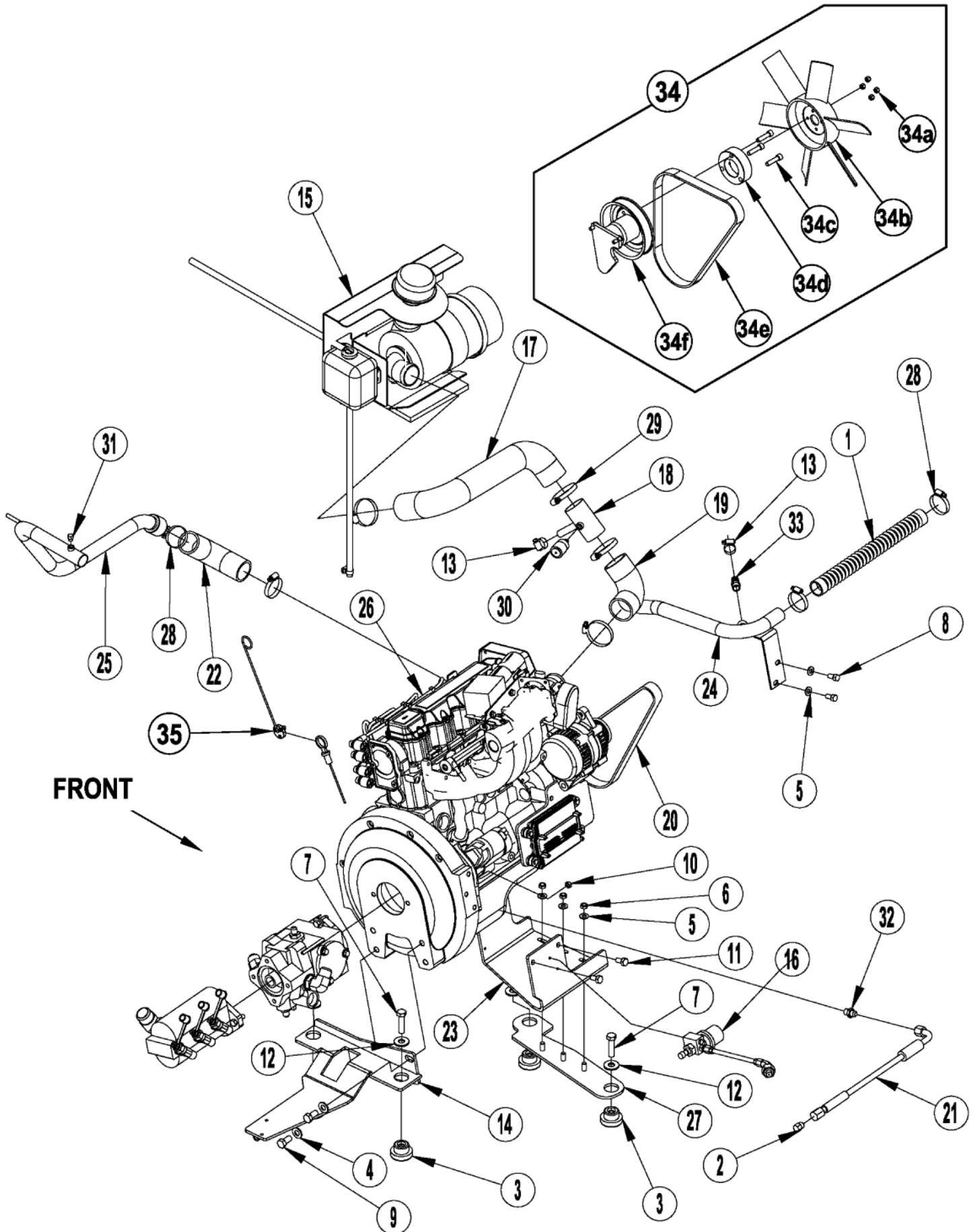
Gasoline/Petrol Engine Assembly - CR 1200/140

CR 1100/1200/1400

16-02-2015

ID Liste de pièces
E176113

145



Gasoline/Petrol Engine Assembly - CR 1200/1400

16-02-2015

ID Liste de pièces
E176113

CR 1100/1200/1400

146

Pos	Réf. Pièce	Qté	Description
1	56456304	1	DURITE
2	56462247	1	PLUG-6 E00551
3	56478685	4	AMORTISSEUR CAOUTCHOU
4	56001879	2	RONDELLE 1/2 SAE
5	56002063	5	RONDELLE PLATE 3/8SME
6	56002841	3	NUT HEX NYL LOC-THIN 3/8-16
7	56002983	4	VIS 1/2 13 X 2 00
8	56003079	2	VIS
9	56003083	2	VIS 1/2 13X1.00
10	56003352	1	NUT HEX M8
11	56003442	4	VIS M10 1 5 X 20 MM
12	56009115	4	RONDELLE 59
13	2-00-03407	2	ATTACHE/COLLIER/FIXATION
14	56304625	1	WELDMENT REAR MOUNT
15	56304904	1	FILTRE A AIR COMPLET
15	56307140	1	AIR FILTER ASSEMBLY
			NOTE 2
16	56305094	1	SONDE CPLT HUILE
16	56305098	1	SONDE NIVEAU HUILE MOTEUR
16	56305619	1	DISTRIBUTEUR
17	56305113	1	HOSE RADIATOR
18	56305240	1	TUBE WELDMENT
19	56305241	1	DURITE COUDEE POUR GASOIL - ESSENCE
20	56305242	1	COURROIE D ALTERNATEUR
			NOTE 1
21	56305374	1	HOSE ASSEMBLY
22	56305458	1	HOSE FORMED
23	56305910	1	ENGINE MOUNT FRONT
24	56305946	1	TUBE WELDMENT
25	56305948	1	TUBE WELDMENT
26		1	ENGINE-GM 1.6L PSI PETROL
27	56306032	1	PLATE ENGINE MOUNT
28	2-00-03404	4	COLLIER SERFLEX
29	56440213	4	FIXATION TUYAU 3 81MM
30	56478461	1	INDICATEUR
31	2-00-03778	1	HEX HD 1/8 NPT PLUG
32	56900300	1	CONN.MALE METRIC
33	56456436	1	RACCORD UNION 5/8SMEX3/8S
34	56307082	1	FAN ASSEMBLY
			NOTE 2
35	56307192	1	KIT DIPSTICK EXTENDER
40	56496276	1	SUPPORT SERRE CABLE
			NOTE 2
41	56305273	1	ALTERNATEUR 70A
42	56504499	1	ARM ALTERNATOR ADJUSTMENT
43	56504500	1	BRACKET ALTERNATOR PIVOT

NOTE 1: These items are not used on the HT models 56307236 & 56307238.

NOTE 2: These items are only used on the HT models 56307236 & 56307238

NOTE 3: See additional PSI engine replacement parts.

Gasoline/Petrol Engine Assembly - CR 1200/1400

16-02-2015

ID Liste de pièces
E176113

CR 1100/1200/1400

147

Pos	Réf. Pièce	Qté	Description
44	56304794	1	BOBINE ALLUMAGE
45	56305411	1	THERMOSTAT D EAU
46	56305275	1	DEMARREUR GM 1,6L
47	56305242	1	COURROIE D ALTERNATEUR
48	56305403	1	SONDE DE TEMPERATURE EAU
49	56305404	1	SONDE
50	56305992	1	BOSCH THROTTLE ACTUATOR
51	56305405	1	CAPTEUR MAP
52	56305271	1	JOINT
53	56504503	1	ENTREE DE COLLECTEUR
54	56504502	1	PULLEY CRANK
55	56111874	1	ENGINE-GM 1.6L PSI PETROL
56	56305272	1	FILTRE A HUILE MOTEUR
57	56504543	1	BRACKET-CRANK-SENSOR
58	56504504	1	DIPSTICK OIL
59	56504537	1	TUBE-DIPSTICK-SILVER
60	56109005	1	SONDE O2 PRE CAT (before SN1000042994)
61	7-11-04081	2	SONDE O2 (post & pre cat after SN1000042993)
62	56110914	1	FAISCEAU DE CABLAGE MOTEUR ESSENCE (before SN1000042994)
63	56111881	1	HARNESS-PSI PETROL WIRE (after SN1000042993)
64	56305596	1	KIT FAISCEAU DE BOUGIES
65	56305979	4	BOUGIE D ALLUMAGE
66		1	NOTE COMMENT Fuel Pressure Regulator
67	56305401	1	ACCOUPEMENT POMPE
68	56305098	1	SONDE NIVEAU HUILE MOTEUR
69	56305986	1	POMPE A EAU
70	56305987	1	SOUPAPE PCV
71	56504429	1	RELAIS
72	56508398	1	MODULE ELECTRONIQUE MOTEU (before SN1000042994)
73	56111880	1	ECU ESSENCE (after SN1000042993)
74	56305274	4	INJECTEUR ESSENCE
75	56305062	1	POMPE CARBURANT POUR GASOIL - ESSENCE
76	56305412	1	FILTRE FUEL
77	56109033	1	CARTER ACCELERATEUR 40MM
78	56109034	1	JOINT DE CARTER ACCELERATEUR
79	56109052	1	FITTING FUEL PUMP
80	56306100	1	TUBE FUEL
81	7-11-04082	1	MANIFOLD FUEL TEMP-RETURN
82	7-11-04083	1	FITTING -6 STOR-5/16 SAE J2044
83	7-11-04084	1	FITTING -3 STOR-5/16 SAE J2044
84	56305988	1	COURROIE
85	56109278	1	GALLET TENDEUR DE COURROIE 1.6L GM

NOTE 1: These items are not used on the HT models 56307236 & 56307238.

NOTE 2: These items are only used on the HT models 56307236 & 56307238

NOTE 3: See additional PSI engine replacement parts.

Gasoline/Petrol Engine Assembly - CR 1200/1400

CR 1100/1200/1400

16-02-2015

ID Liste de pièces
E176113

148

Pos	Réf. Pièce	Qté	Description	
86	56109279	1	CAM SHAFT GASKET 1.6L GM	
87	56109280	1	JOINT DE CULASSE MOTEUR 1.6L GPL	
88	56109281	1	CULASSE MOTEUR 1.6L GPL	
89	56109282	1	EXHAUST VALVE 1.6L GM	
90	56109283	1	INTAKE VALVE 1.6L GM	
91	56109284	1	JOINT D ENTREE	
92	56508791	1	INTAKE GASKET	
93	56109286	1	PVC TUBE GASKET 1.6L GM	
94	56109287	1	VALVE STEM SEAL 1.6L GM	
95	56109288	1	OIL CAP 1.6L GM	
96	56109289	1	OIL SEAL O-RING 1.6L GM	
97	56504426	1	PIPE DE SORTIE	
98	56504429	1	RELAIS	
99	56504451	1	FLYWHEEL HOUSING	
100	56504505	1	COVER FLYWHEEL HOUSING	
101	56504501	1	FLYWHEEL	
102	56306193	1	PUMP OIL	
103	56504454	1	GASKET OIL PUMP	
104	56504461	1	SPROCKET CRANK	
105	56504462	1	SPROCKET CAMSHAFT	
106	56504463	1	TENDEUR DE COURROIE	
107	56504464	1	GASKET OIL PAN	
108	56504465	1	SEAL CAMSHAFT	
109	56504466	1	CAMSHAFT	
110	56504467	1	ARM VALVE ROCKER	
111	56504480	1	HOSE PVC ELBOW	
112	56504484	1	TUBE PVC COOLANT BYPASS	
113	56504488	1	COVER TIMING BELT OUTER	
114	56504489	1	COVER TIMING BELT INNER T	
115	56504490	1	COVER TIMING BELT INNER B	
116	56504491	1	NUT INTAKE MANIFOLD	
117	56504512	1	ADJUSTER HYD VALVE LASH	
118	56504518	1	RELAY-FUEL PUMP	
119	56504519	1	SEAL-OIL PUMP-GM1.6L	
120	56504526	1	HOUSING-CAMSHAFT-GM1.6L	
121	56504530	1	COVER-CAMSHAFT-HOUSING	
34A	56003284	4	NUT HEX NYL LOC 1/4 28	NOTE 2
34B	56418718	1	HELICE DE VENTILLATION	NOTE 2
34C	56002316	3	VIS 6 PANS 3/8 EME	NOTE 2
34D	56419617	1	FAN SPACER ASSEMBLY	NOTE 2
34E	56307088	1	COURROIE DE VENTILATEUR	NOTE 2
34F	56307093	1	KIT ENTRAINEMENT VENTILATEUR	NOTE 2

NOTE 1: These items are not used on the HT models 56307236 & 56307238.

NOTE 2: These items are only used on the HT models 56307236 & 56307238

NOTE 3: See additional PSI engine replacement parts.

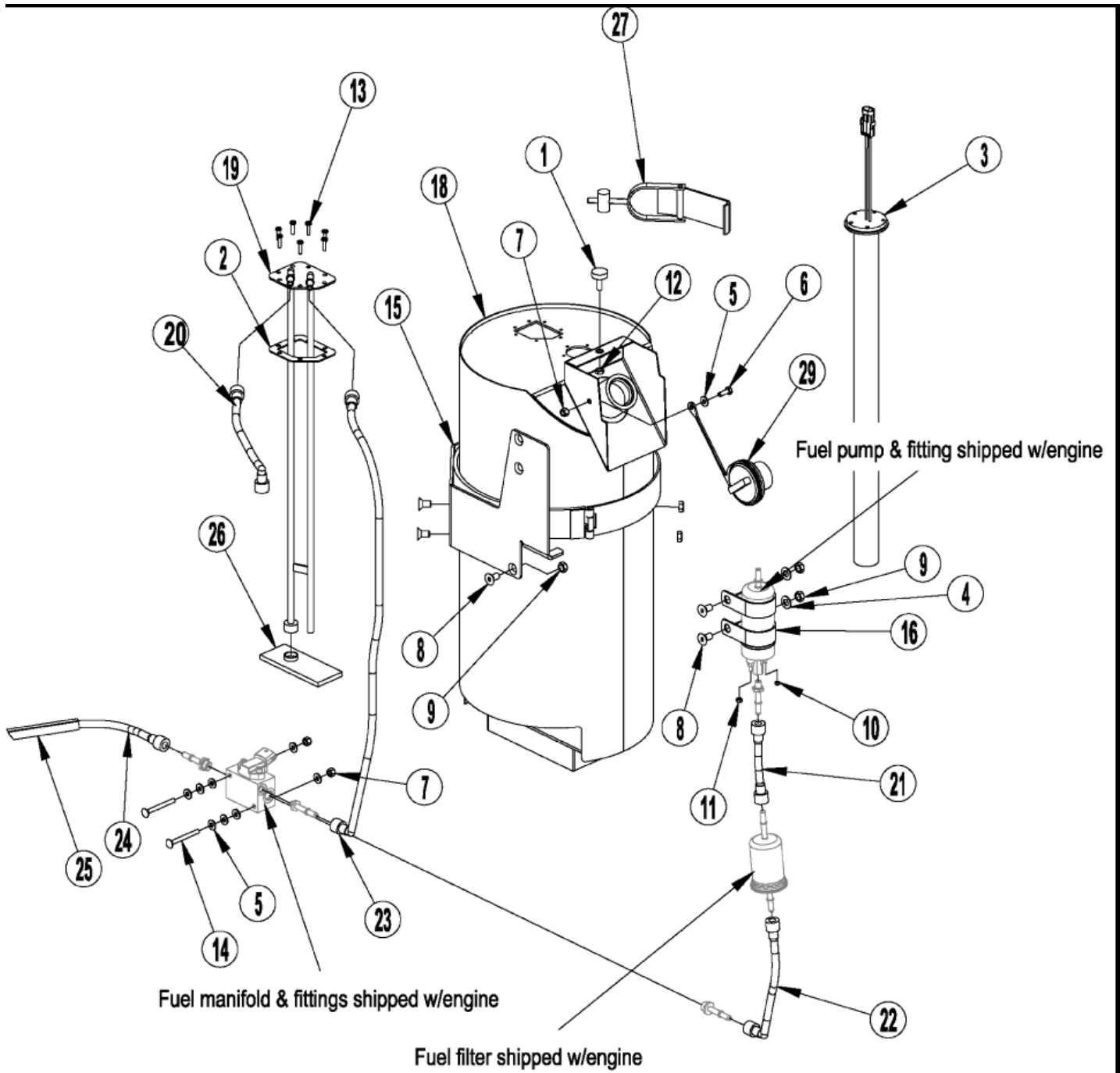
Gasoline/Petrol Fuel Assembly - CR 1200/1400 -

CR 1100/1200/1400

16-02-2015

ID Liste de pièces
E176115

149



Gasoline/Petrol Fuel Assembly - CR 1200/1400 -

CR 1100/1200/1400

16-02-2015

D Liste de pièces
E1/6115

150

Pos	Réf. Pièce	Qté	Description	
	56306077	1	GASOLINE FUEL ASSY	(CR 1200 AND CR 1400 MODELS / 1-29 EXCEPT 1 & 12)
	56307231	1	GASOLINE FUEL ASSY	(1-29 EXCEPT 1 AND 12) NOTE 1
2	56418795	1	JOINT	
3	56455567	1	JAUGE ELECTRIQUE FUEL	
4	56002063	2	RONDELLE PLATE 3/8SME	
5	56002098	9	LAQUE DE SUPPORT 1/4	
6	56002155	1	VIS 1/4 20X75	
7	56002708	3	LIQUET D ARRÊT 1/4 20	
8	56002748	5	SCR FLT SOC 3/8-16 X .75	
9	56002841	5	NUT HEX NYL LOC-THIN 3/8-16	
10	56003351	1	NUT HEX M4	
11	56003364	1	NUT HEX M5	
13	56009209	7	VIS 10 24 X 1 00	
14	56009276	2	VIS 1/4 X 2 50 BA 550/650	
15	56304865	1	WELDMENT PROPANE TANK BRACKET	
16	56305492	2	BRIDE	
17	56305790	1	WIRE ASM PIGTAIL	
18	56306066	1	GASOLINE TANK WELDT	(CR 1200 AND CR 1400 MODELS)
19	56306069	1	ADAPTOR WELDT	
20	56306085	1	FUEL HOSE ASSY	
21	56306086	1	FUEL HOSE ASSY	
22	56306087	1	FUEL HOSE ASSY	
23	56306088	1	FUEL HOSE ASSY	
24	56306089	1	FUEL HOSE ASSY	
25	56306092	1	CONDUIT BLACK 50	
26	56419307	1	FILTRE FUEL	
27	56481997	1	CLAMP	
28	56508003	1	HARNESS GASOLINE SENSOR	
29	56307232	1	FUEL CAP LOCKING	NOTE 1
29	56508354	1	BOUCHON FUEL	

NOTE 1: These items are only used on the HT models 56307236 & 56307238.

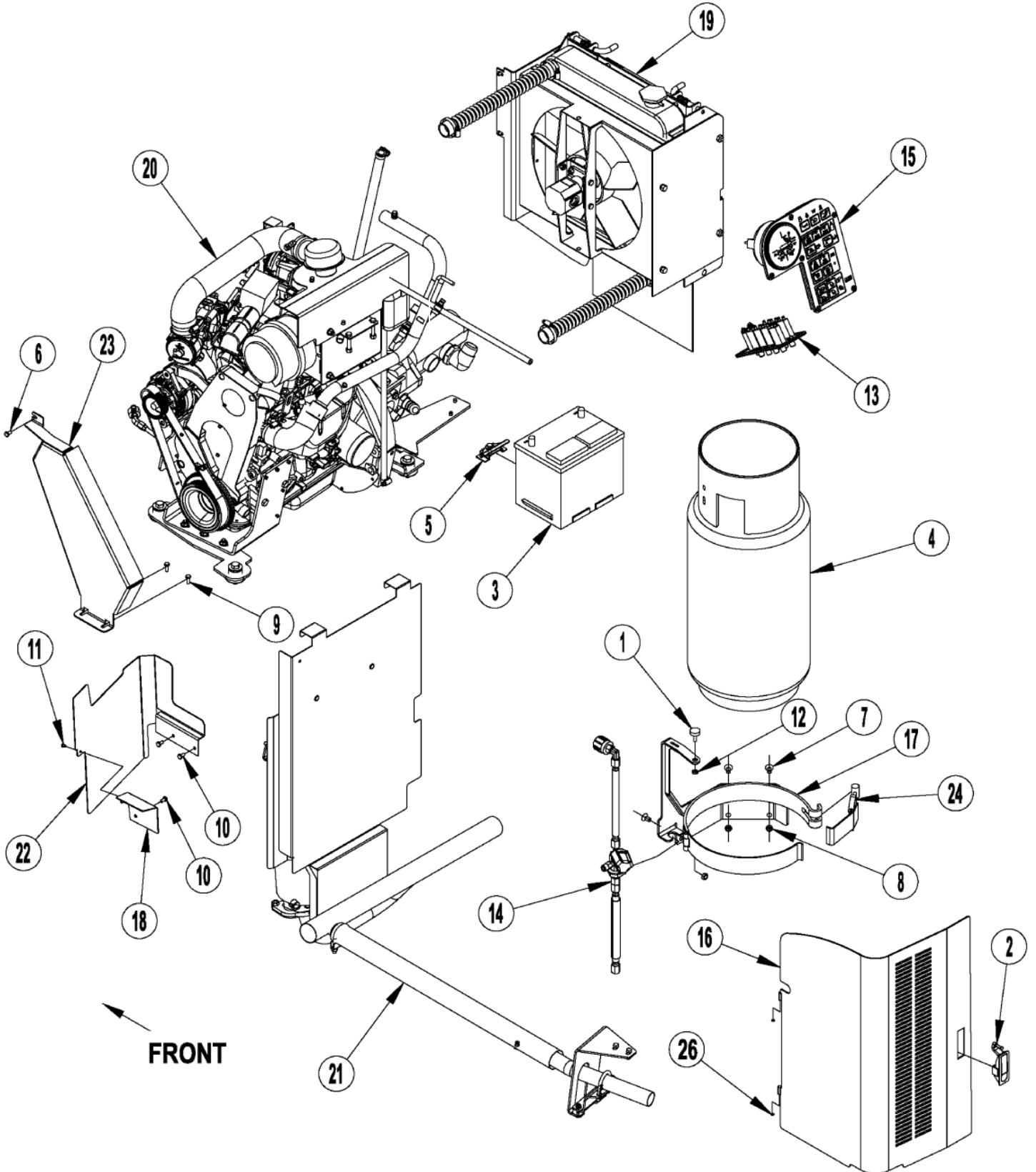
LPG Engine System - CR 1200/1400 - Engine fror

CR 1100/1200/1400

16-02-2015

ID Liste de pièces
E176117

151



LPG Engine System - CR 1200/1400 - Engine from CR 1100/1200/1400

16-02-2015

ID Liste de pièces
E176117

152

Pos	Réf. Pièce	Qté	Description	
2	56418471	1	SYSTEME D OUVERTURE	
4	56456590	1	L.P. TANK	
5	56469193	1	CLAMP SET BATTERY	
6	56001854	1	VIS 6 PANS 1/4 20X.50	
7	56002748	3	SCR FLT SOC 3/8-16 X .75	
8	56002769	3	ECROU 3/8SME X 16	
9	56009018	2	VIS SANS TETE 1/4 20	
10	56009033	3	VIS 6 PANS 1/4 20 X 50	
11	56009063	1	SCR HEX THD FORM 10-24X .25	
13	56304843	1	CIRCUIT BREAKER PANEL ASSEMBLY	
14	56305089	1	KIT FILTRE LPG	
15	56305230	1	PROPANE GAUGE PANEL ASSEMBLY	
16	56305300	1	CAPOT MOTEUR PROPANE	CR 1200 and CR 1400 models
17	56304865	1	WELDMENT PROPANE TANK BRACKET	CR 1200 and CR 1400 models
18	56305900	1	HEAT SHIELD	
19	56305933	1	RADIATOR ASSEMBLY	
20	56306020	1	MOTEUR GM 1,6L 2007 LP	
21	56306030	1	ASSEMBLY EXHAUST	
22	56306038	1	HEAT SHIELD	
23	56306041	1	BELT GUARD WELDMENT	
24	56481997	1	CLAMP	
24	56501005	2	ANTI-FREEZE	Not shown

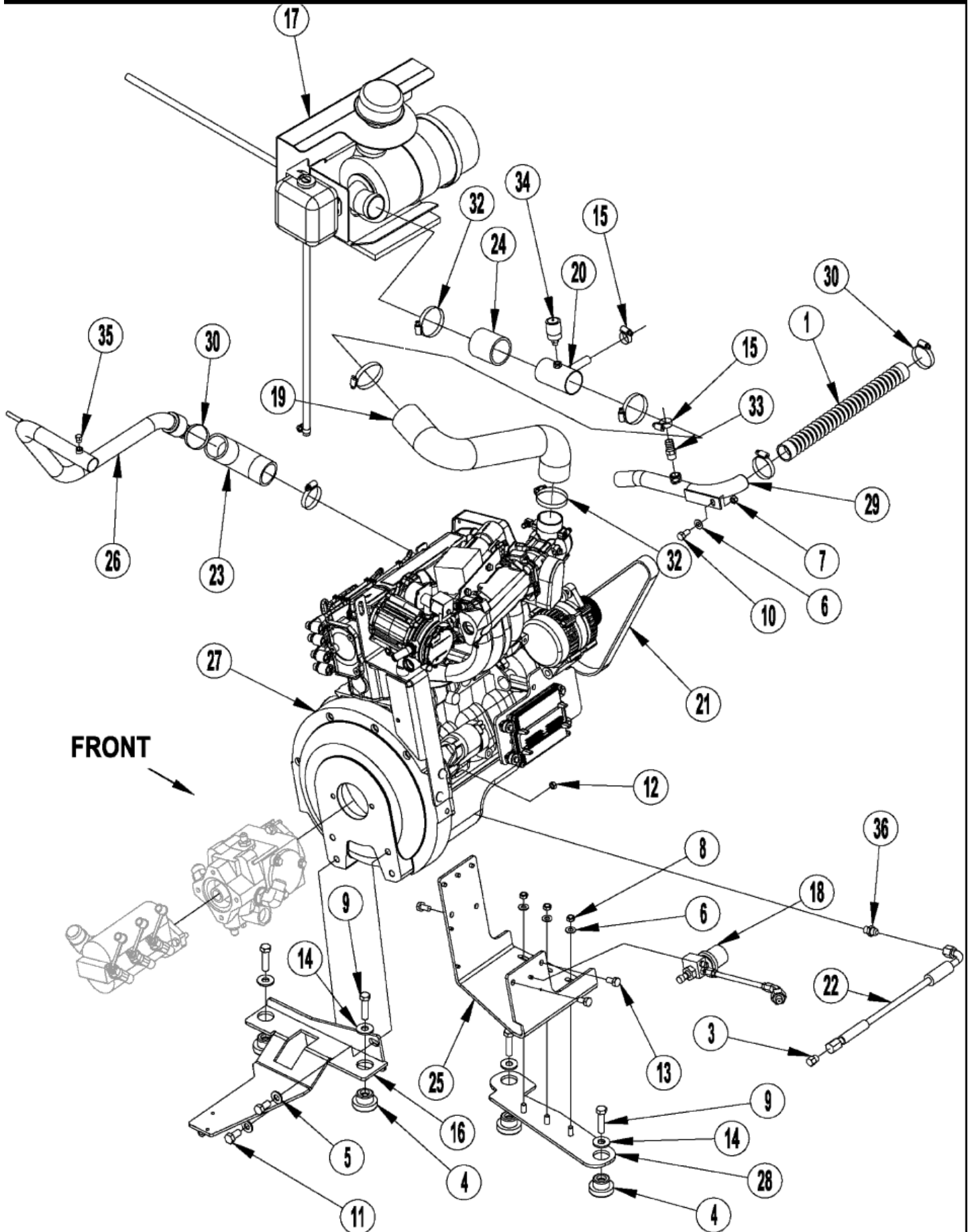
LPG Engine Assembly - CR 1200/1400 - Engine fi

CR 1100/1200/1400

16-02-2015

D Liste de pièces
E176119

153



LPG Engine Assembly - CR 1200/1400 - Engine fr

CR 1100/1200/1400

16-02-2015

ID Liste de pièces
E1/6119

154

Pos	Réf. Pièce	Qté	Description
1	56456304	1	DURITE
3	56462247	1	PLUG-6 E00551
4	56478685	4	AMORTISSEUR CAOUTCHOU
5	56001879	2	RONDELLE 1/2 SAE
6	56002063	6	RONDELLE PLATE 3/8SME
7	56002701	1	VIS 5/16 18 X 62
8	56002841	3	NUT HEX NYL LOC-THIN 3/8-16
9	56002983	4	VIS 1/2 13 X 2 00
10	56003079	3	VIS
11	56003083	2	VIS 1/2 13X1.00
12	56003352	1	NUT HEX M8
13	56003442	4	VIS M10 1 5 X 20 MM
14	56009115	4	RONDELLE 59
15	2-00-03407	2	ATTACHE/COLLIER/FIXATION
16	56304625	1	WELDMENT REAR MOUNT
17	56304904	1	FILTRE A AIR COMPLET
18	56305094	1	SONDE CPLT HUILE
19	56305113	1	HOSE RADIATOR
20	56305240	1	TUBE WELDMENT
21	56305242	1	COURROIE D ALTERNATEUR
22	56305374	1	HOSE ASSEMBLY
23	56305458	1	HOSE FORMED
24	56305490	1	HOSE CONNECTOR
25	56305910	1	ENGINE MOUNT FRONT
26	56305948	1	TUBE WELDMENT
27	56111874	1	ENGINE-GM 1.6L PSI PETROL
28	56306032	1	PLATE ENGINE MOUNT
29	56306044	1	TUBE WELDMENT
30	2-00-03404	4	COLLIER SERFLEX
32	56440213	4	FIXATION TUYAU 3 81MM
33	56456436	1	RACCORD UNION 5/8SMEX3/8S
34	56478461	1	INDICATEUR
35	2-00-03778	1	HEX HD 1/8 NPT PLUG
36	56900300	1	CONN.MALE METRIC
100	56109005	1	SONDE 02 PRE CAT
101	56109033	1	CARTER ACCELERATEUR 40MM
102	56109034	1	JOINT DE CARTER ACCELERATEUR
103	56109036	1	GASKET ADAPTER-MIXER
104	56109040	1	ADAPTATEUR
105	56109041	2	SEAL MIXER ADAPTER
106	56109042	1	O-RING MIXER ADAPTER
107	56109043	1	REGULATEUR ELECTRON PRESS
108	56109044	1	SONDE LPG TEMPERATURE EPR

Pos. 100 to 180 = Not show n

LPG Engine Assembly - CR 1200/1400 - Engine fr

CR 1100/1200/1400

16-02-2015

ID Liste de pièces
E176119

155

Pos	Réf. Pièce	Qté	Description
109	56109045	1	RACCORD KIT EPR
110	56109046	3	ISOLATOR EPR
111	56109047	1	HOSE WATER-EPR
112	56109278	1	GALLET TENDEUR DE COURROIE 1.6L GM
113	56109279	1	CAM SHAFT GASKET 1.6L GM
114	56109280	1	JOINT DE CULASSE MOTEUR 1.6L GPL
115	56109281	1	CULASSE MOTEUR 1.6L GPL
116	56109282	1	EXHAUST VALVE 1.6L GM
117	56109283	1	INTAKE VALVE 1.6L GM
118	56109284	1	JOINT D ENTREE
119	56508791	1	INTAKE GASKET
120	56109286	1	PVC TUBE GASKET 1.6L GM
121	56109287	1	VALVE STEM SEAL 1.6L GM
122	56109288	1	OIL CAP 1.6L GM
123	56109289	1	OIL SEAL O-RING 1.6L GM
124	56110864	1	TORON CABLAGE MOTEUR LPG
125	56304794	1	BOBINE ALLUMAGE
126	56305098	1	SONDE NIVEAU HUILE MOTEUR
127	56305242	1	COURROIE D ALTERNATEUR
128	56305271	1	JOINT
129	56305272	1	FILTRE A HUILE MOTEUR
130	56305273	1	ALTERNATEUR 70A
131	56305401	1	ACCOUPEMENT POMPE
132	56305403	1	SONDE DE TEMPERATURE EAU
133	56305404	1	SONDE
134	56305405	1	CAPTEUR MAP
135	56305410	1	FILTRE FUEL VERSION LPG
136	56305411	1	THERMOSTAT D EAU
137	56305596	1	KIT FAISCEAU DE BOUGIES
138	56305979	4	BOUGIE D ALLUMAGE
139	56305986	1	POMPE A EAU
140	56305987	1	SOUPAPE PCV
141	56305988	1	COURROIE
142	56305992	1	BOSCH THROTTLE ACTUATOR
143	56305275	1	DEMARREUR GM 1,6L
144	56306101	1	MIXEUR LPG GM 1.6L
145	56306193	1	PUMP OIL
146	56504426	1	PIPE DE SORTIE
147	56504429	1	RELAIS
148	56504450	1	KIT LP TEST
149	56504451	1	FLYWHEEL HOUSING
150	56504454	1	GASKET OIL PUMP
151	56504461	1	SPROCKET CRANK

Pos. 100 to 180 = Not show n

LPG Engine Assembly - CR 1200/1400 - Engine fr

CR 1100/1200/1400

16-02-2015

ID Liste de pièces
E176119

156

Pos	Réf. Pièce	Qté	Description
152	56504462	1	SPROCKET CAMSHAFT
153	56504463	1	TENDEUR DE COURROIE
154	56504464	1	GASKET OIL PAN
155	56504465	1	SEAL CAMSHAFT
156	56504466	1	CAMSHAFT
157	56504467	1	ARM VALVE ROCKER
158	56504480	1	HOSE PVC ELBOW
159	56504484	1	TUBE PVC COOLANT BYPASS
160	56504488	1	COVER TIMING BELT OUTER
161	56504489	1	COVER TIMING BELT INNER T
162	56504490	1	COVER TIMING BELT INNER B
163	56504491	1	NUT INTAKE MANIFOLD
164	56504499	1	ARM ALTERNATOR ADJUSTMENT
165	56504500	1	BRACKET ALTERNATOR PIVOT
166	56504501	1	FLYWHEEL
167	56504502	1	PULLEY CRANK
168	56504503	1	ENTREE DE COLLECTEUR
169	56504504	1	DIPSTICK OIL
170	56504505	1	COVER FLYWHEEL HOUSING
171	56111874	1	ENGINE-GM 1.6L PSI PETROL
172	56504512	1	ADJUSTER HYD VALVE LASH
173	56504518	1	RELAY-FUEL PUMP
174	56504519	1	SEAL-OIL PUMP-GM1.6L
175	56504526	1	HOUSING-CAMSHAFT-GM1.6L
176	56504530	1	COVER-CAMSHAFT-HOUSING
177	56504537	1	TUBE-DIPSTICK-SILVER
178	56504543	1	BRACKET-CRANK-SENSOR
179	56507815	1	ECU LPG
180	56508936	1	ELECTROVANNE GAZ
181	7-11-04081	1	SONDE O2

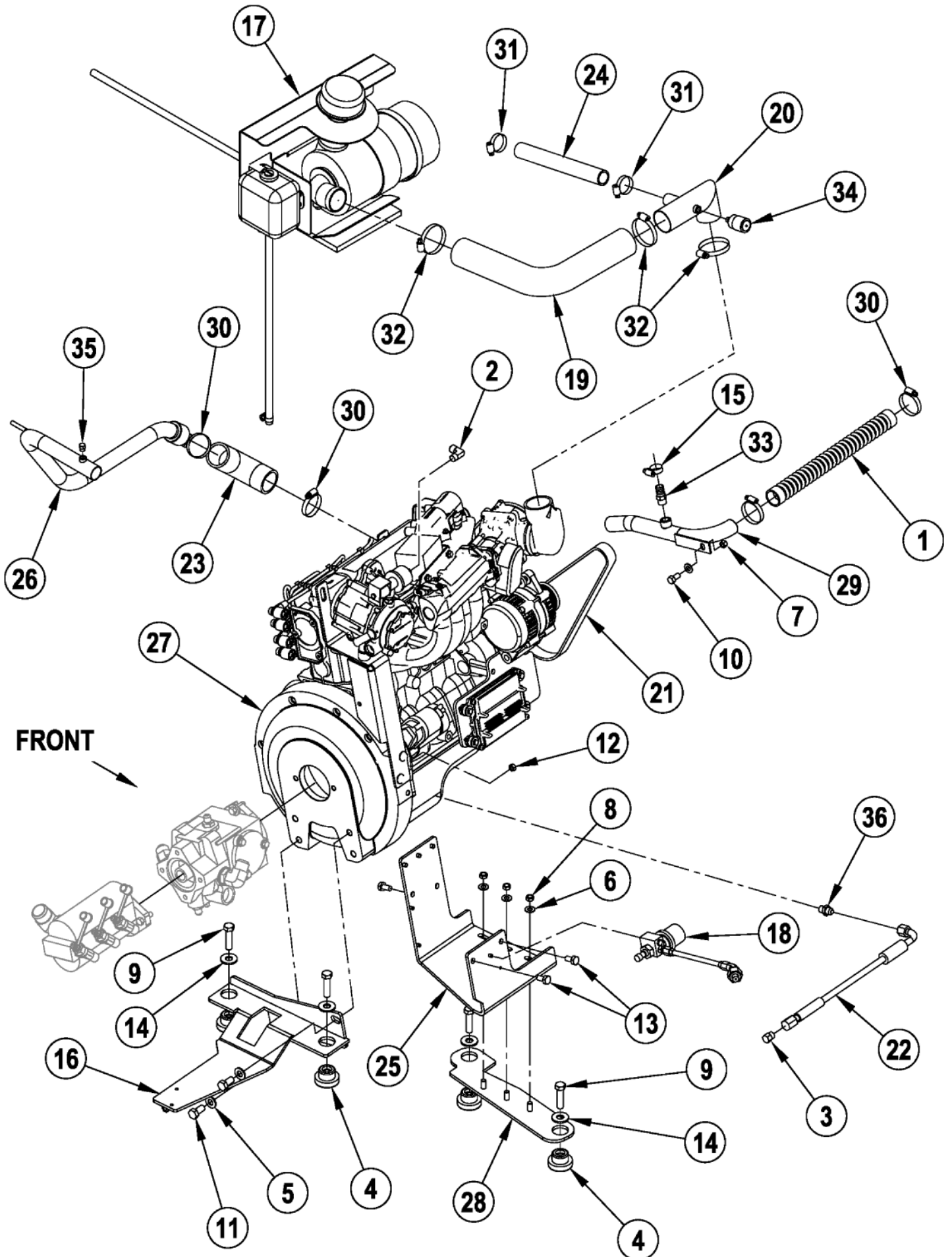
LPG Engine Assembly - CR 1200/1400 - Engine fi

CR 1100/1200/1400

16-02-2015

ID Liste de pièces
E176121

157



LPG Engine Assembly - CR 1200/1400 - Engine fr

CR 1100/1200/1400

16-02-2015

ID Liste de pièces
E176121

158

Pos	Réf. Pièce	Qté	Description
1	56456304	1	DURITE
2	56456608	1	COUDE A 90°
3	56462247	1	PLUG-6 E00551
4	56478685	4	AMORTISSEUR CAOUTCHOU
5	56001879	2	RONDELLE 1/2 SAE
6	56002063	6	RONDELLE PLATE 3/8SME
7	56002701	1	VIS 5/16 18 X 62
8	56002841	3	NUT HEX NYL LOC-THIN 3/8-16
9	56002983	4	VIS 1/2 13 X 2 00
10	56003079	3	VIS
11	56003083	2	VIS 1/2 13X1.00
12	56003352	1	NUT HEX M8
13	56003442	4	VIS M10 1 5 X 20 MM
14	56009115	4	RONDELLE 59
15	2-00-03407	1	ATTACHE/COLLIER/FIXATION
16	56304625	1	WELDMENT REAR MOUNT
17	56304904	1	FILTRE A AIR COMPLET
18	56305094	1	SONDE CPLT HUILE
19	56306205	1	AIR INTAKE WELDT
21	56305242	1	COURROIE D ALTERNATEUR
22	56305374	1	HOSE ASSEMBLY
23	56305458	1	HOSE FORMED
24	56111891	1	FLEXIBLE RENIFLARD POUR LPG
25	56305910	1	ENGINE MOUNT FRONT
26	56305948	1	TUBE WELDMENT
27		1	ENGINE-GM 1.6L PSI PETROL
28	56306032	1	PLATE ENGINE MOUNT
29	56306044	1	TUBE WELDMENT
30	2-00-03404	4	COLLIER SERFLEX
31	56131601	2	FIXATION TUYAU
32	56440213	4	FIXATION TUYAU 3 81MM
33	56456436	1	RACCORD UNION 5/8SMEX3/8S
34	56478461	1	INDICATEUR
35	2-00-03778	1	HEX HD 1/8 NPT PLUG
36	56900300	1	CONN.MALE METRIC
100	56109033	1	CARTER ACCELERATEUR 40MM
101	56109034	1	JOINT DE CARTER ACCELERATEUR
102	56109036	1	GASKET ADAPTER-MIXER
103	56109040	1	ADAPTATEUR
104	56109041	2	SEAL MIXER ADAPTER
105	56109042	1	O-RING MIXER ADAPTER
106	56109043	1	REGULATEUR ELECTRON PRESS
107	56109044	1	SONDE LPG TEMPERATURE EPR

NOTE 1: See additional engine replacement parts. - GM 1.6L REPLACEMENT PARTS - PSI

Pos 100 to 180 = Not show n

LPG Engine Assembly - CR 1200/1400 - Engine fr

CR 1100/1200/1400

16-02-2015

ID Liste de pièces
E176121

159

Pos	Réf. Pièce	Qté	Description
108	56109045	1	RACCORD KIT EPR
109	56109046	3	ISOLATOR EPR
110	56109047	1	HOSE WATER-EPR
111	56109278	1	GALLET TENDEUR DE COURROIE 1.6L GM
112	56109279	1	CAM SHAFT GASKET 1.6L GM
113	56109280	1	JOINT DE CULASSE MOTEUR 1.6L GPL
114	56109281	1	CULASSE MOTEUR 1.6L GPL
115	56109282	1	EXHAUST VALVE 1.6L GM
116	56109283	1	INTAKE VALVE 1.6L GM
117	56109284	1	JOINT D ENTREE
118	56508791	1	INTAKE GASKET
119	56109286	1	PVC TUBE GASKET 1.6L GM
120	56109287	1	VALVE STEM SEAL 1.6L GM
121	56109288	1	OIL CAP 1.6L GM
122	56109289	1	OIL SEAL O-RING 1.6L GM
123	56111879	1	MIXEUR PSI MODEL 100
124	56111883	1	ECU PSI LPG
125	56111884	1	HARNESS-PSI LP WIRE
126	56304794	1	BOBINE ALLUMAGE
127	56305098	1	SONDE NIVEAU HUILE MOTEUR
128	56305242	1	COURROIE D ALTERNATEUR
129	56305271	1	JOINT
130	56305272	1	FILTRE A HUILE MOTEUR
131	56305273	1	ALTERNATEUR 70A
132	56305401	1	ACCOUPLMENT POMPE
133	56305403	1	SONDE DE TEMPERATURE EAU
134	56305404	1	SONDE
135	56305405	1	CAPTEUR MAP
136	56305410	1	FILTRE FUEL VERSION LPG
137	56305411	1	THERMOSTAT D EAU
138	56305596	1	KIT FAISCEAU DE BOUGIES
139	56305979	4	BOUGIE D ALLUMAGE
140	56305986	1	POMPE A EAU
141	56305987	1	SOUPAPE PCV
142	56305988	1	COURROIE
143	56305992	1	BOSCH THROTTLE ACTUATOR
144	56305275	1	DEMARREUR GM 1,6L
145	56306193	1	PUMP OIL
146	56504426	1	PIPE DE SORTIE
147	56504429	1	RELAIS
148	56504450	1	KIT LP TEST
149	56504451	1	FLYWHEEL HOUSING
150	56504454	1	GASKET OIL PUMP

NOTE 1: See additional engine replacement parts. - GM 1.6L REPLACEMENT PARTS - PSI
Pos 100 to 180 = Not show n

LPG Engine Assembly - CR 1200/1400 - Engine fr

CR 1100/1200/1400

16-02-2015

ID Liste de pièces
E176121

160

Pos	Réf. Pièce	Qté	Description
151	56504461	1	SPROCKET CRANK
152	56504462	1	SPROCKET CAMSHAFT
153	56504463	1	TENDEUR DE COURROIE
154	56504464	1	GASKET OIL PAN
155	56504465	1	SEAL CAMSHAFT
156	56504466	1	CAMSHAFT
157	56504467	1	ARM VALVE ROCKER
158	56504480	1	HOSE PVC ELBOW
159	56504484	1	TUBE PVC COOLANT BYPASS
160	56504488	1	COVER TIMING BELT OUTER
161	56504489	1	COVER TIMING BELT INNER T
162	56504490	1	COVER TIMING BELT INNER B
163	56504491	1	NUT INTAKE MANIFOLD
164	56504499	1	ARM ALTERNATOR ADJUSTMENT
165	56504500	1	BRACKET ALTERNATOR PIVOT
166	56504501	1	FLYWHEEL
167	56504502	1	PULLEY CRANK
168	56504503	1	ENTREE DE COLLECTEUR
169	56504504	1	DIPSTICK OIL
170	56504505	1	COVER FLYWHEEL HOUSING
171	56111874	1	ENGINE-GM 1.6L PSI PETROL
172	56504512	1	ADJUSTER HYD VALVE LASH
173	56504518	1	RELAY-FUEL PUMP
174	56504519	1	SEAL-OIL PUMP-GM1.6L
175	56504526	1	HOUSING-CAMSHAFT-GM1.6L
176	56504530	1	COVER-CAMSHAFT-HOUSING
177	56504537	1	TUBE-DIPSTICK-SILVER
178	56504543	1	BRACKET-CRANK-SENSOR
179	56508936	1	ELECTROVANNE GAZ
180	7-11-04081	2	SONDE O2

NOTE 1: See additional engine replacement parts. - GM 1.6L REPLACEMENT PARTS - PSI
Pos 100 to 180 = Not shown

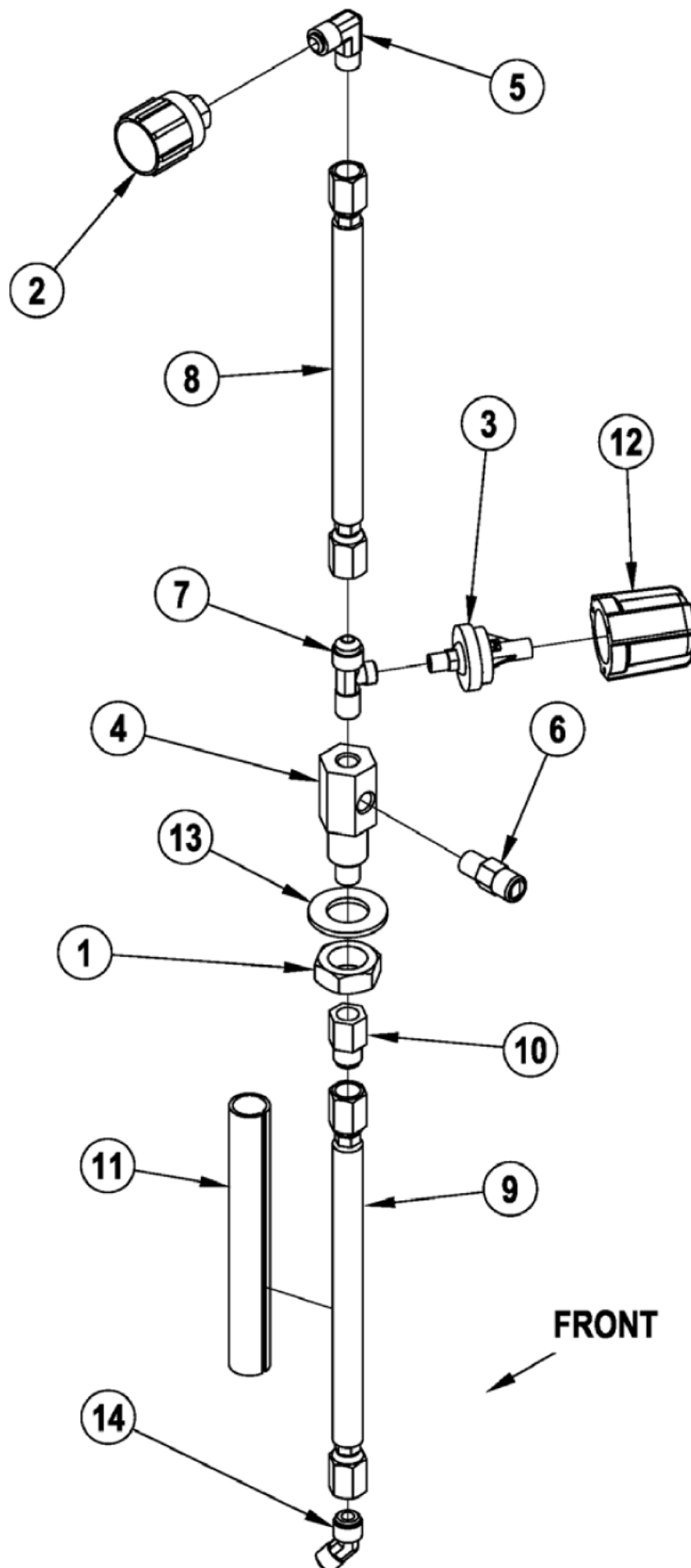
LPG Filter Assembly - CR 1200/1400 - Engine fr

CR 1100/1200/1400

16-02-2015

ID Liste de pièces
E176123

161



LPG Filter Assembly - CR 1200/1400 - Engine fro

CR 1100/1200/1400

16-02-2015

Liste de pièces
E176123

162

Pos	Réf. Pièce	Qté	Description
	56305089	1	KIT FILTRE LPG
1	56002615	1	ECROU 7/8 14
2	56369675	1	COUPLER FEMALE CV140P
3	56418381	1	SONDE DE PRESSION S3
4	56418934	1	RACCORD
5	56456608	1	COUDE A 90°
6	56456624	1	BOUCHON FILETE
7	56900921	1	RACCORD EN T
8	56305503	1	FLEXIBLE BOUTEILLE DE GAZ
9	56305504	1	FLEXIBLE LPG
10	56305505	1	ADAPTATEUR 45°
11	56305506	1	GAINÉ
12	56419241	1	BOUTON DE REGLAGE DE PRESSION
13	56002228	1	RONDELLE PLATE SAE 7/8
14	56456598	1	ELBOW MALE 45 DEG E00238

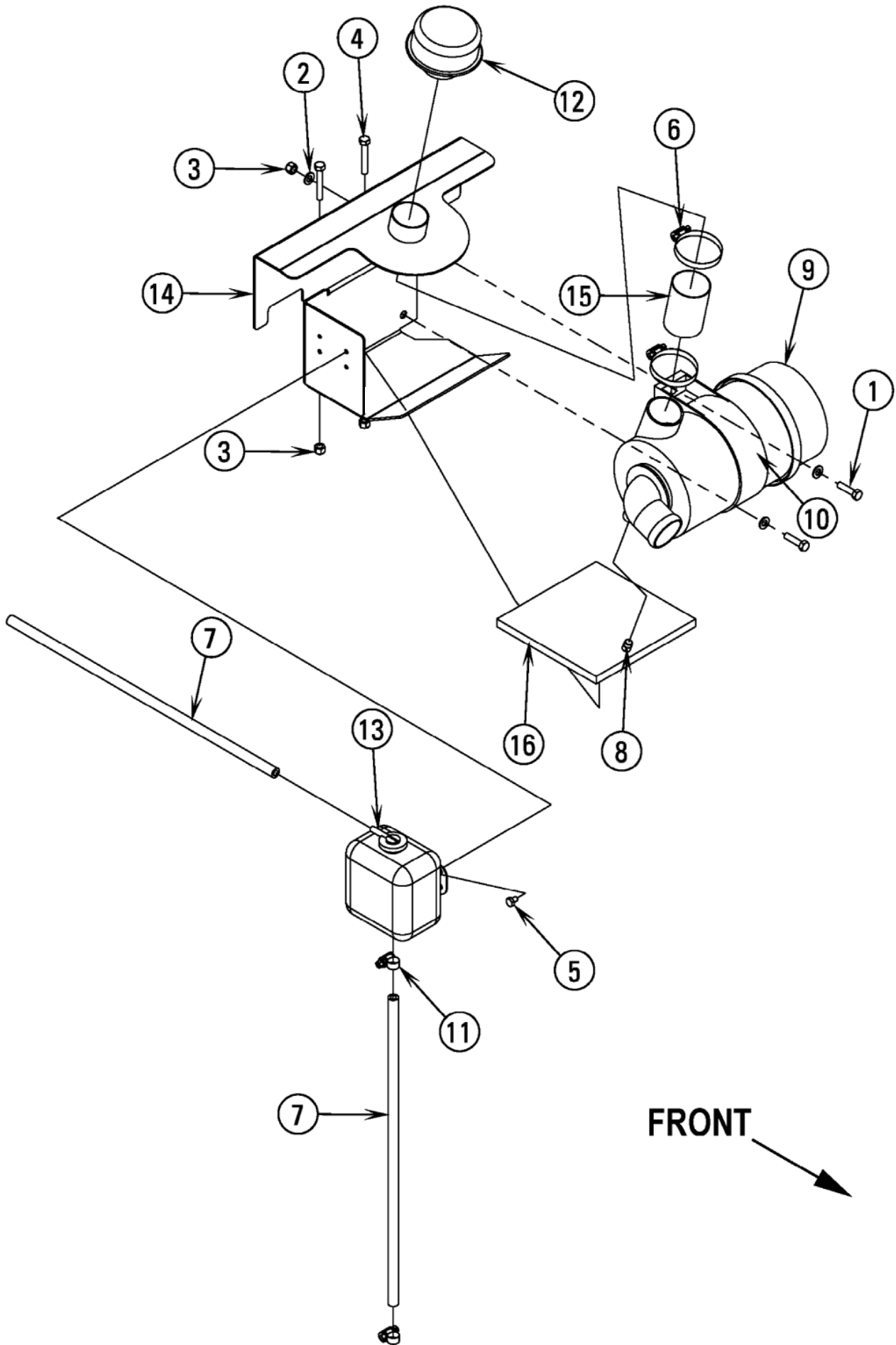
Air Filter Assembly - CR 1200/1400 - Engine fro

CR 1100/1200/1400

16-02-2015

ID Liste de pièces
E176125

163



Air Filter Assembly - CR 1200/1400 - Engine froi

CR 1100/1200/1400

16-02-2015

ID Liste de pièces
E176125

164

Pos	Réf. Pièce	Qté	Description
	56304904	1	FILTRE A AIR COMPLET
0	56307140	1	AIR FILTER ASSEMBLY NOTE 1
1	56001834	2	VIS 6 PANS 5/16 18X1 25
2	56001939	4	RONDELLE PLATE SAE 5/16
3	56002701	4	VIS 5/16 18 X 62
4	56002721	2	SCR HEX 5/16-18 X 2.00
5	56009019	4	VIS 1/4 20 X 0 38
6	56440213	2	FIXATION TUYAU 3 81MM
7	56305443	2	FLEXIBLE
8	2-00-03778	1	HEX HD 1/8 NPT PLUG
9	56482028	1	FILTRE SECONDAIRE Inside / 2.31 x 10.25 - Not shown
9	56482029	1	FILTRE A AIR PRINCIPAL Outside / 4.19 x 10.56 - Not shown
9	56482478	1	FILTRE A AIR COMPLET
10	56482621	1	BAND ASSY
11	56756364	2	COLLIER DE SERRAGE
12	56419312	1	FILTRE EXTERIEUR NOTE 1
13	7-07-02002	1	BOCAL LIQUIDE REFROIDIS
14	56305339	1	WELDMENT MOUNT
15	56305340	1	HOSE
16	56305341	1	FOAM

NOTE 1: Only used on the HT models 56307236 & 56307238.

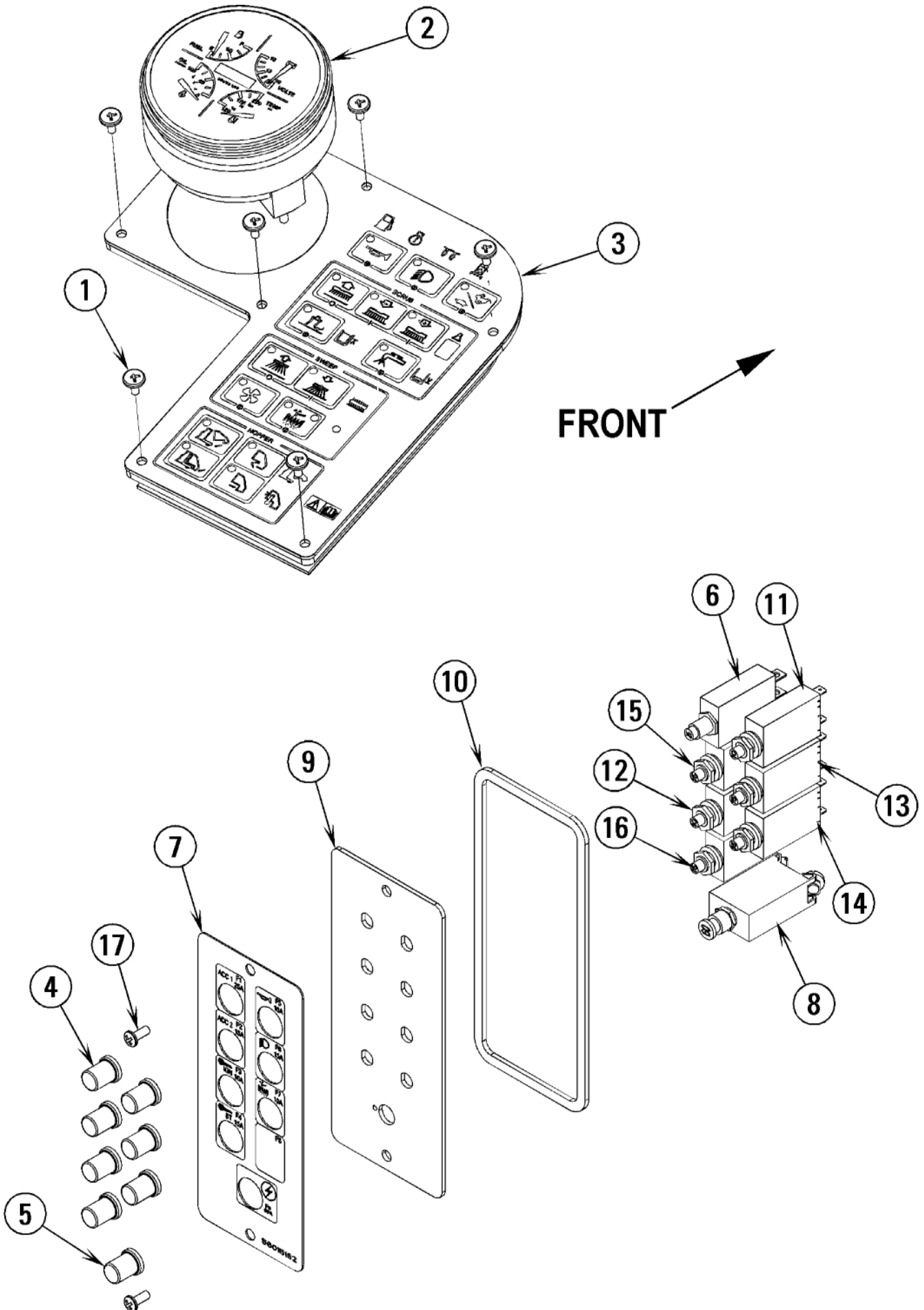
Control and Circuit Breaker Panel Assemblies - (

CR 1100/1200/1400

16-02-2015

ID Liste de pièces
E176127

165



Control and Circuit Breaker Panel Assemblies - C

CR 1100/1200/1400

16-02-2015

ID Liste de pièces
E176127

166

Pos	Réf. Pièce	Qté	Description	
	56304843	1	CIRCUIT BREAKER PANEL ASSEMBLY	All models / 4-17
	56305230	1	PROPANE GAUGE PANEL ASSEMBLY	1-3
	56305485	1	JAUGE	1-3
1	56009206	6	VIS 10 24X50	
2	56304569	1	INDICATEUR NIVEAU 4 EN 1	Gasoline/Petrol and Diesel
2	56304589	1	JAUGE	LPG
3	56305229	1	PANNEAU DE CDE A MEMBRANE	Includes Membrane Switch
4	56459367	7	BOUTON DE REMISE A ZERO	
5	56459368	1	COMMANDE DE REMISE A ZERO	
6	56469788	1	DISJONCTEUR 25 0	ACC1 / F1
7	56015182	1	DECAL CIRCUIT BREAKER	
8	56263260	1	DISJONCTEUR 60 A	Main / F9
9	56304842	1	PLATE CIRCUIT BREAKER MOUNT	
10	56305232	1	GASKET	
11	56387316	1	DISJONCTEUR 10A	Horn / F3
12	56387316	1	DISJONCTEUR 10A	IGN / F3
13	56454538	1	DISJONCTEUR 15A	Headlight / F6
14	56454538	1	DISJONCTEUR 15A	Shaker / F7
15	56454538	1	DISJONCTEUR 15A	ACC2 / F2
16	56454538	1	DISJONCTEUR 15A	ST / F4
17	56001993	2	VIS TETE PL PHIL 10 24X 5	

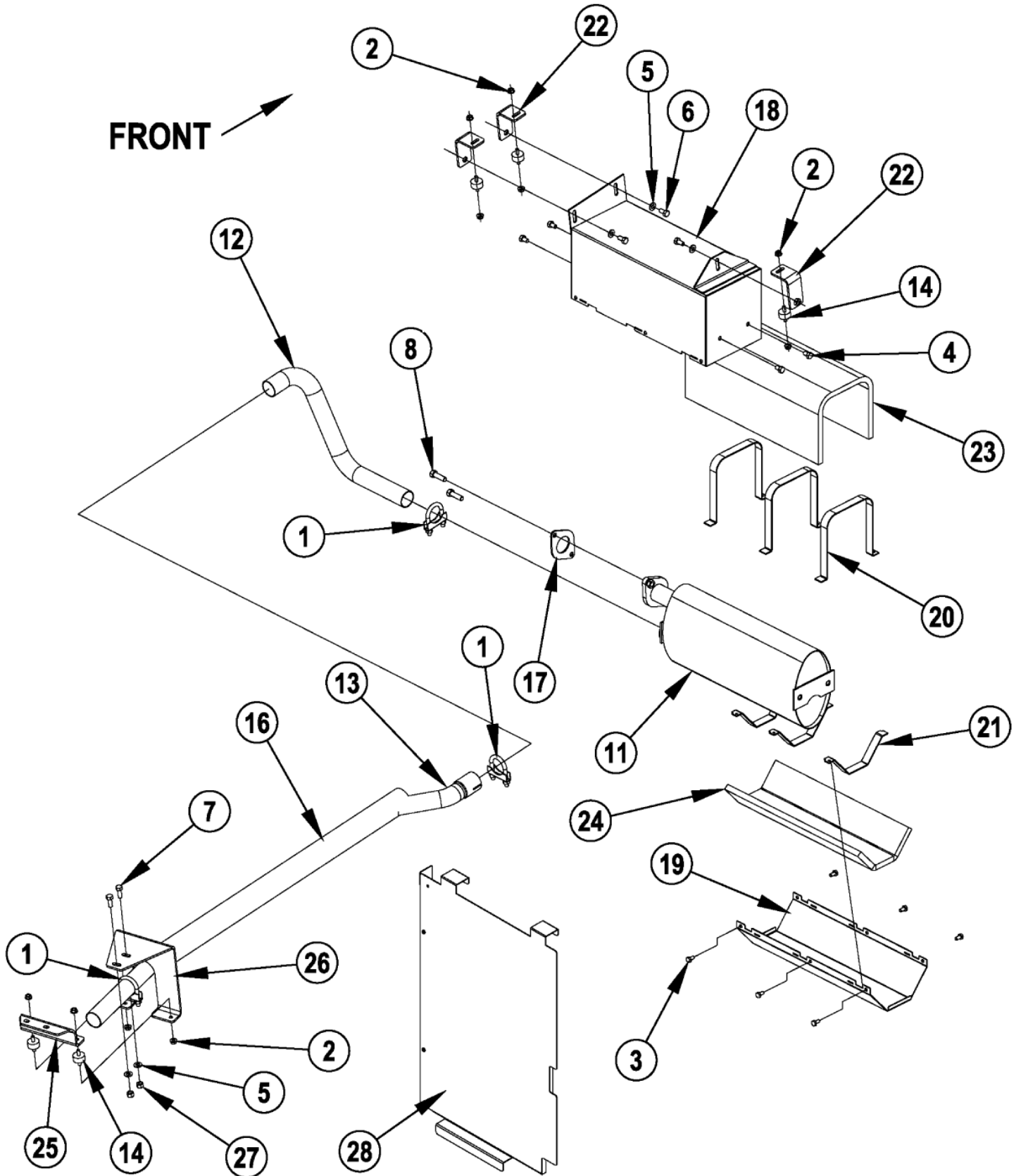
Exhaust Assembly - Diesel - CR 1200/1400 - Eng

CR 1100/1200/1400

16-02-2015

ID Liste de pièces
E176129

167



Exhaust Assembly - Diesel - CR 1200/1400 - Eng

CR 1100/1200/1400

16-02-2015

ID Liste de pièces
E17/6129

168

Pos	Réf. Pièce	Qté	Description	
	56305689	1	KIT D ECHAPPEMENT COMPLET	
1	56456833	3	FIXATION DE BOITE+B28	
2	56002708	10	LIQUET D ARRÊT 1/4 20	
3	56001854	6	VIS 6 PANS 1/4 20X.50	
4	56001862	4	VIS 5/16EME 18 X 0 50	
5	56001939	5	RONDELLE PLATE SAE 5/16	
6	56002035	3	VIS 5/16 18 X .62	
7	56002037	2	VIS HEX 5/16 18X.88	
8	56002254	2	SCR HEX HD 3/8 24 X 1 25	
11	56305595	1	POT D ECHAPPEMENT	
12	56305004	1	TUBE DE SORITE D ECHAPPEMENT	
13	56305016	1	TUBE DE SORITE D ECHAPPEMENT	
14	56305216	5	SILEN BLOC AMORTISSEUR	
16	56305343	1	TUBE ISOLATION	
17	56305549	1	JOINT	
18	56305567	1	CARTER DE PROTECTION SUPERIEUR DE POT	
19	56305571	1	CARTER DE PROTECTION INFERIEUR DE POT	
20	56305575	3	COLLIER DE FIXATION SUP. DE POT D ECHAPP	
21	56305576	3	COLLIER DE FIXATION INFER. DE POT D ECHA	
22	56305580	3	SUPPORT ANGLE 90DIA	
23	56305583	1	ISOLANT THERMIQUE SUPERIEUR	
24	56305584	1	ISOLANT THERMIQUE INFERIEUR	
25	56305878	1	SUPPORT	
26	56305877	1	BRACKET TAILPIPE	
27	56002701	2	VIS 5/16 18 X 62	
28	56009030	2	VIS TETE PLATE CRUCIFORME	Not shown
28	56305034	1	ENGINE INSULATION	Not shown
28	56305045	1	PANEL REAR	Not shown
28	56305047	1	PANEL ASSEMBLY	
28	56305942	1	PANEL REAR	Not shown

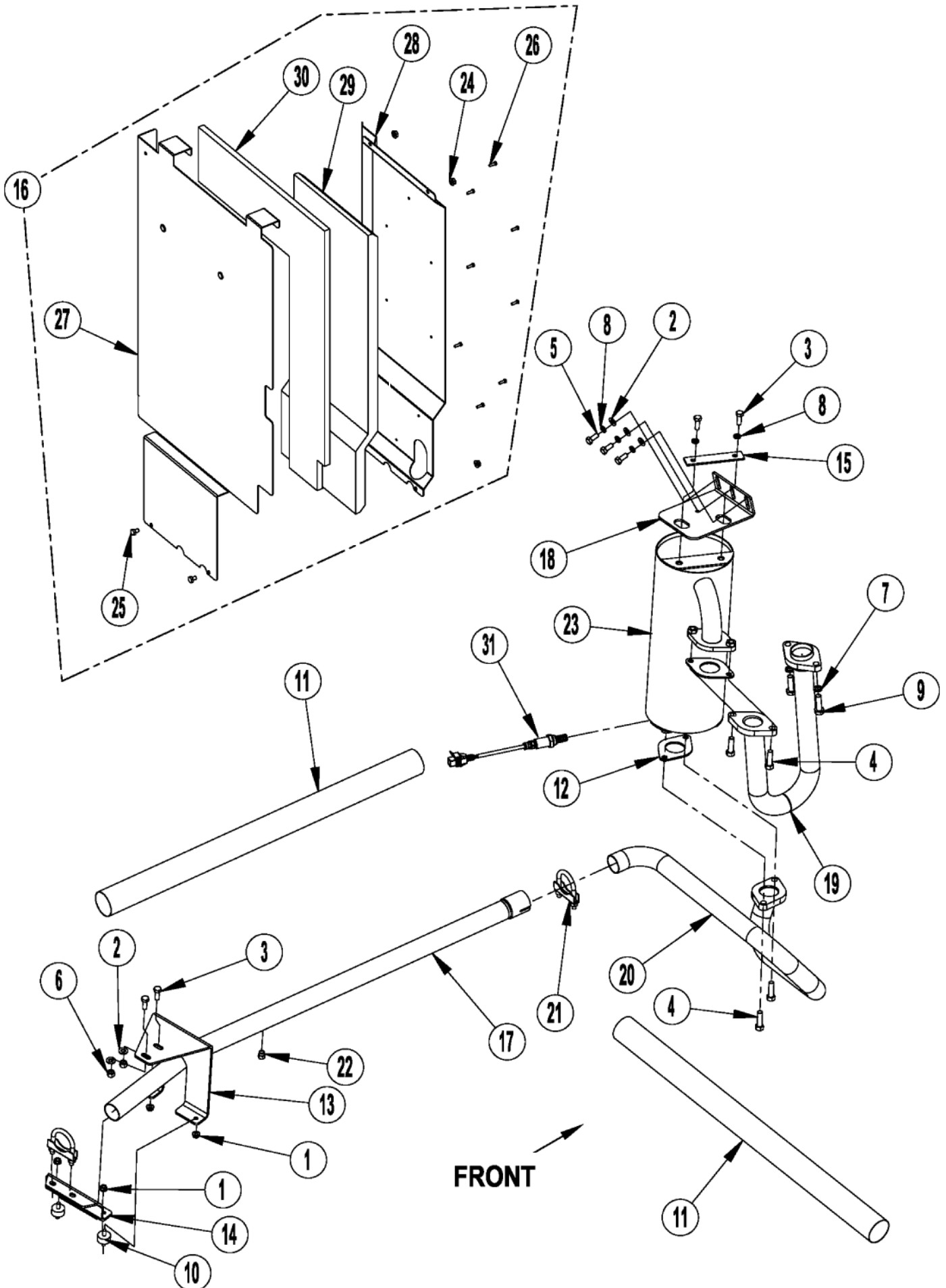
Exhaust Assembly - Gasoline-Petrol and LPG - C

CR 1100/1200/1400

16-02-2015

ID Liste de pièces
E176131

169



Exhaust Assembly - Gasoline-Petrol and LPG - C

CR 1100/1200/1400

16-02-2015

ID Liste de pièces
E176131

170

Pos	Réf. Pièce	Qté	Description	
0	56306030	1	ASSEMBLY EXHAUST	1-23
0	56307240	1	EXHAUST ASSEMBLY	1-23 - NOTE 1
1	56002708	4	LIQUET D ARRÊT 1/4 20	
2	56001939	5	RONDELLE PLATE SAE 5/16	
3	56002037	4	VIS HEX 5/16 18X88	
4	56003787	4	VIS 3/8-24 X 1.50	
5	56002667	3	VIS 6 PANS 5/16 18X0 75	
6	56002701	2	VIS 5/16 18 X 62	
7	56003684	6	RONDELLE M10	
8	56003685	5	WASHER NORD LOC M8	
9	56003694	2	VIS M10-1.50X35MM CLS 10.9	
10	56305216	2	SILEN BLOC AMORTISSEUR	
11	56305343	2	TUBE ISOLATION	
12	56305549	2	JOINT	
13	56305877	1	BRACKET TAILPIPE	
14	56305878	1	SUPPORT	
15	56305898	1	PLAQUE	
16	56305901	1	TANK PANEL ASSEMBLY	24-30
16	56307083	1	TANK PANEL ASSEMBLY	24-30 - NOTE 1
17	56305911	1	TUBE D ECHAPPEMENT	
18	56306028	1	SUPPORT	
19	56109675	1	TUBE D ECHAPPEMENT	
20	56109676	1	COL DE CYGNE D ECHAPPEMENT	
21	56456833	2	FIXATION DE BOITE+B28	
22	56481546	1	BOUCHON FILETE	
23	56110454	1	CONVERTISSEUR CATALYTIQUE	(before SN1000042994)
23	56111876	1	POT CATALYTIQUE	(after SN1000042993)
24	56002708	4	LIQUET D ARRÊT 1/4 20	
25	56001861	2	VIS 1/4 20 X .38	
26	56002438	8	VIS	
27	56305902	1	PANEL REAR	
28	56305903	1	PANEL	
28	56307085	1	PANEL INSULATION	NOTE 1
29	56305904	1	INSULATION THERMAL	
30	56305943	1	PANEL INSULATION	
31	7-11-04081	1	SONDE O2	(after SN1000042993)

NOTE 1: These items are only used on the HT models 56307236 & 56307238.

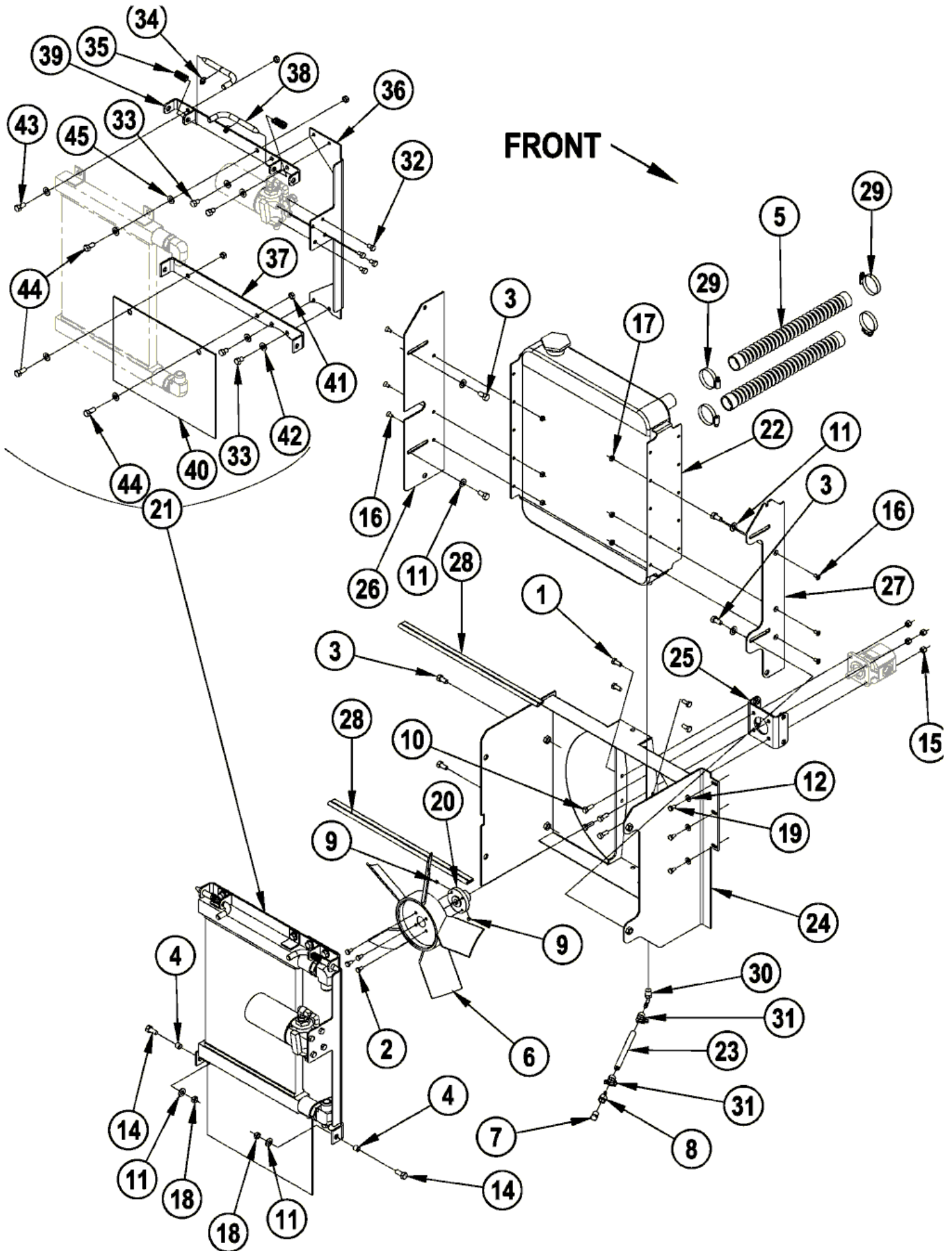
Radiator Assembly - CR 1200/1400 - Engine front

16-02-2015

ID Liste de pièces
E176133

171

CR 1100/1200/1400



Radiator Assembly - CR 1200/1400 - Engine from CR 1100/1200/1400

16-02-2015

ID Liste de pièces
E176133

172

Pos	Réf. Pièce	Qté	Description	
	56305933	1	RADIATOR ASSEMBLY	1-31
1	56002956	4	VIS 5/16-18X75	
2	56003039	4	IS 1/4 20X1/2	
3	56003079	6	VIS	
4	56388326	2	ENTRETOISE	
5	56456304	2	DURITE	
6	56463704	1	HELICE	
7	56740136	1	PLUG BRASS E00040	
8	56756360	1	HOSE BARB 1/4 BARB X 1/4-18 F	
9	56001841	2	VIS 6 PANS CREUX	
10	56002037	4	VIS HEX 5/16 18X.88	
11	56002063	6	RONDELLE PLATE 3/8SME	
12	56002098	3	LAQUE DE SUPPORT 1/4	
14	56002271	2	SCR HEX 3/8-16 X .88	
15	56002701	4	VIS 5/16 18 X 62	
16	56002711	6	ECROU	
17	56002840	6	VIS 1/4 20	
18	56002769	2	ECROU 3/8SME X 16	
19	56009033	3	VIS 6 PANS 1/4 20 X 50	
20	56304087	1	FAN SPACER HUB	
21	56304892	1	HYDRAULIC OIL COOLER ASSEMBLY	32-44
22	56305316	1	RADIATEUR	
22	56305638	1	SMALL RADIATOR CAP 13 PSI	Not shown
22	56456431	1	BOUCHON DE RADIATEUR	Not shown
23	56305428	1	HOSE	
24	56305889	1	RADIATOR MOUNT WELDMENT	
25	56305892	1	BRACKET FAN MOUNT	
26	56305921	1	BRACKET RADIATOR MOUNT	
27	56305922	1	BRACKET RADIATOR MOUNT	
28	56305935	2	TRIM SEAL	
29	56329145	4	FIXATION TUYAU SAE 24E000	
30	56470138	1	RACCORD 1/4X90 DEG E000	
31	56756364	2	COLLIER DE SERRAGE	
32	56002923	4	SCR HEX LOC 5/16-18 X .50	
33	56003023	4	SCR HEX LOC 3/8-16 X .50	
34	56003264	2	RING RET EXT 1/2 E	
35	56304531	2	SPRING COMPRESSION	
36	56304888	1	BRACKET FILTER	
37	56304890	1	BRACKET	
38	56304973	2	LOCK PIN	
39	56304976	1	WELDMENT BRACKET	
40	56305211	1	FLAP	
41	56002769	4	ECROU 3/8SME X 16	

Radiator Assembly - CR 1200/1400 - Engine from CR 1100/1200/1400

16-02-2015

ID Liste de pièces
E176133

173

Pos	Réf. Pièce	Qté	Description
42	56002063	8	RONDELLE PLATE 3/8SME
43	56002271	2	SCR HEX 3/8-16 X .88
44	56002271	1	SCR HEX 3/8-16 X .88
45	56009106	1	WSH FLT .453X1.000X.179

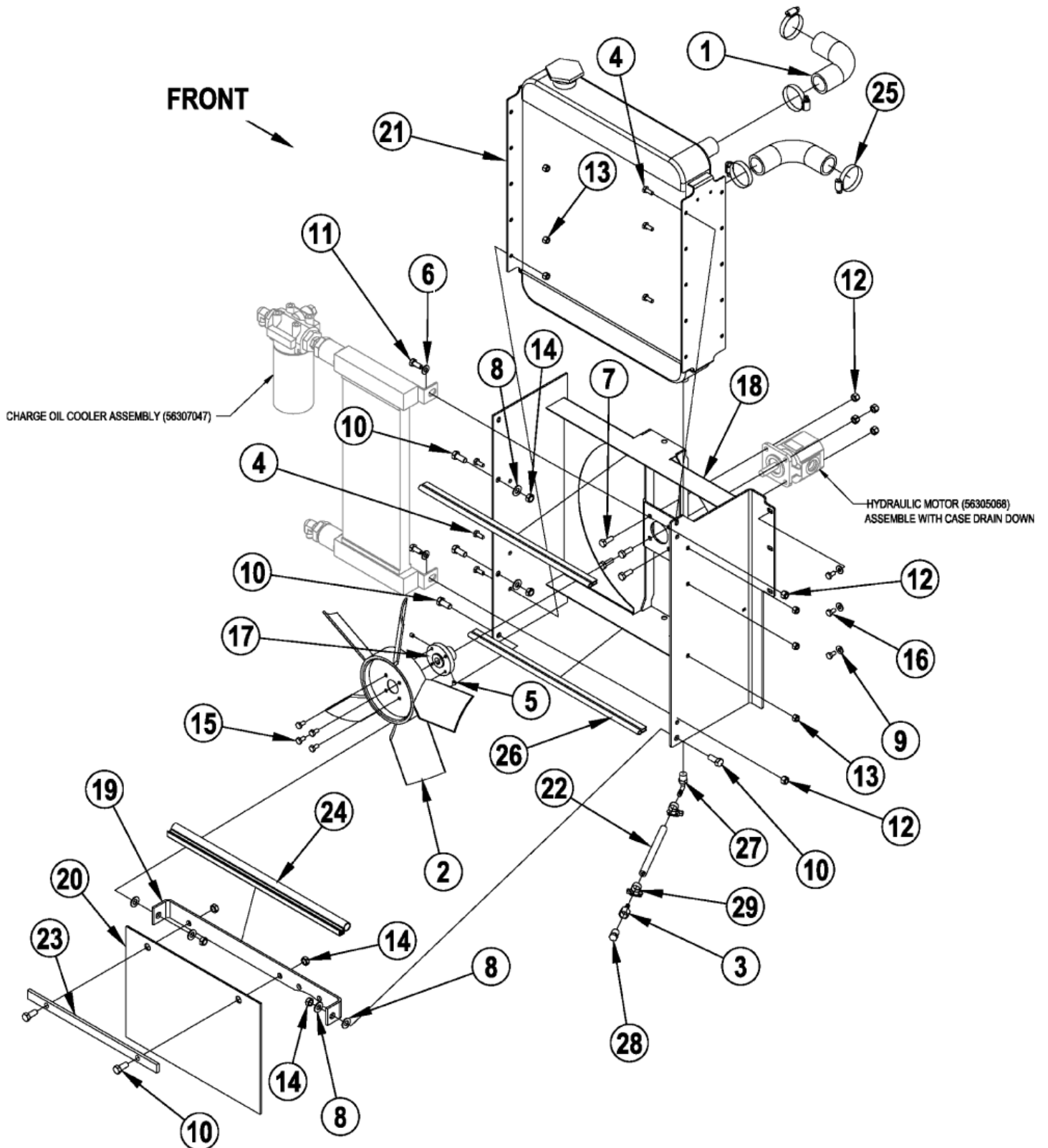
Radiator assembly (high temp) - Engine from 2

CR 1100/1200/1400

16-02-2015

ID Liste de pièces
E176135

174



Radiator assembly (high temp) - Engine from 20

CR 1100/1200/1400

16-02-2015

ND Liste de pièces
E176135

175

Pos	Réf. Pièce	Qté	Description	
0	56307046	1	RADIATOR ASSEMBLY	POS. 1-29 / HT MODELS ONLY
1	56002956	4	VIS 5/16-18X75	
1	56418227	2	FLEXIBLE DE RADIATEUR	
2	56463704	1	HELICE	
3	56756360	1	HOSE BARB 1/4 BARB X 1/4-18 F	
4	56001836	6	VIS 6 PANS 1/4 20X 62	
5	56001841	2	VIS 6 PANS CREUX	
6	56001939	2	RONDELLE PLATE SAE 5/16	
7	56002037	4	VIS HEX 5/16 18X.88	
8	56002063	6	RONDELLE PLATE 3/8SME	
9	56002098	3	LAQUE DE SUPPORT 1/4	
10	56002271	6	SCR HEX 3/8-16 X .88	
11	56002667	2	VIS 6 PANS 5/16 18X0 75	
12	56002701	6	VIS 5/16 18 X 62	
13	56002708	6	LIQUET D ARRÊT 1/4 20	
14	56002841	6	NUT HEX NYL LOC-THIN 3/8-16	
15	56003039	4	IS 1/4 20X1/2	
16	56009033	3	VIS 6 PANS 1/4 20 X 50	
17	56304087	1	FAN SPACER HUB	
18	56304438	1	WELDMENT RADIATOR MOUNT	
19	56304890	1	BRACKET	
20	56305211	1	FLAP	
21	56305316	1	RADIATEUR	
22	56305428	1	HOSE	
23	56307097	1	STRAP	
24	56307098	1	GASKET	
25	56329145	4	FIXATION TUYAU SAE 24E000	
26	56418955	2	JOINT	
27	56470138	1	RACCORD 1/4X90 DEG E000	
28	56740136	1	PLUG BRASS E00040	
29	56756364	2	COLLIER DE SERRAGE	

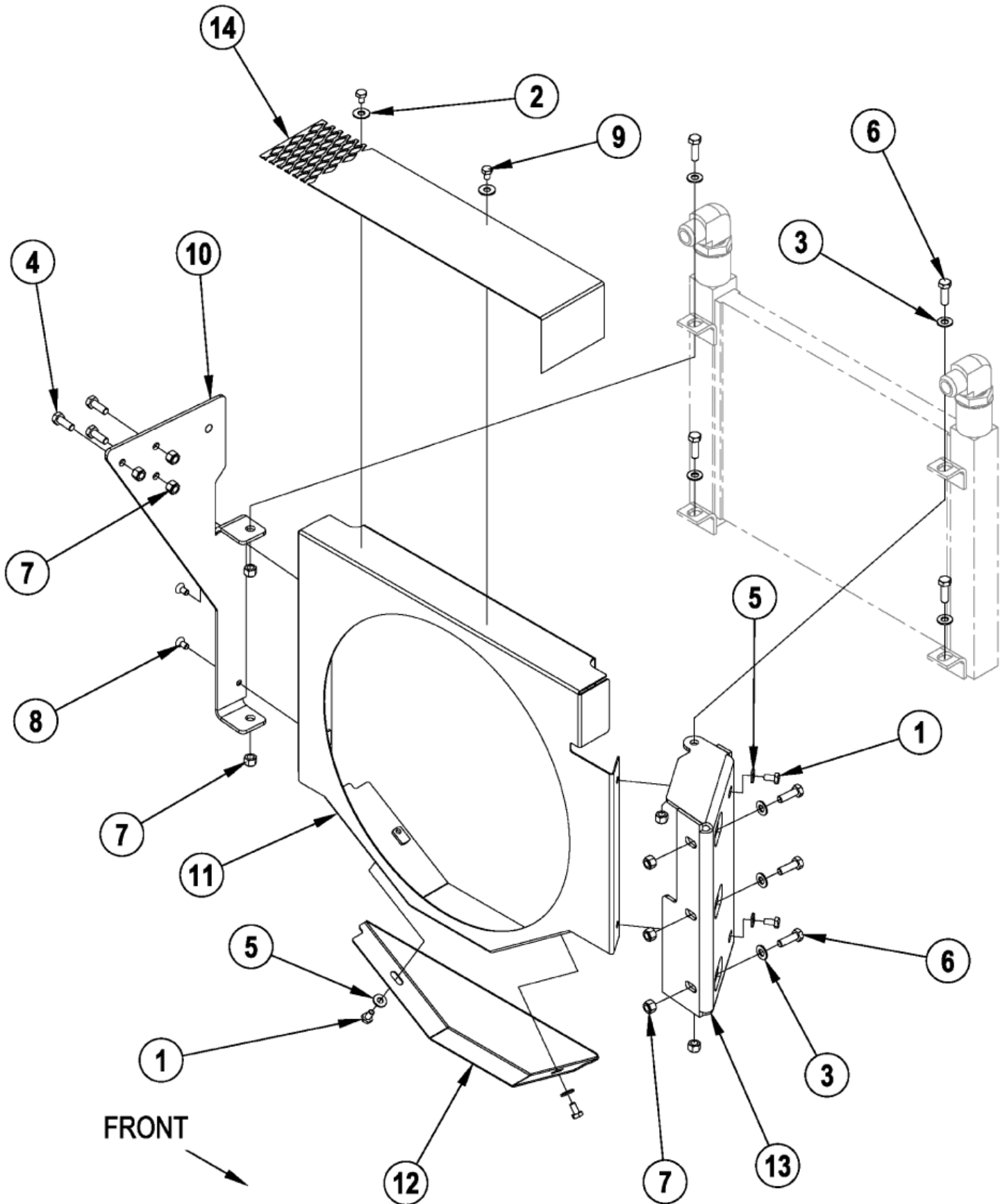
Cooler kit (high temp) - Engine from 2007

CR 1100/1200/1400

16-02-2015

ID Liste de pièces
E176137

176



Cooler kit (high temp) - Engine from 2007

CR 1100/1200/1400

16-02-2015

ID Liste de pièces
E1/613/

177

Pos	Réf. Pièce	Qté	Description
	56307225	1	COOLER KIT (ITEMS 1-15 / HT PETROL MODELS ONLY)
	56307247	1	DIESEL COOLER KIT (ITEMS 1-15 / HT DIESEL MODELS ONLY)
1	56001854	4	VIS 6 PANS 1/4 20X.50
2	56001906	2	WSH FLT STD 1/4
3	56001939	3	RONDELLE PLATE SAE 5/16
4	56002037	3	VIS HEX 5/16 18X.88
5	56002098	4	LAQUE DE SUPPORT 1/4
6	56002221	7	SCR HEX 5/16-18 X 1.00
7	56002701	10	VIS 5/16 18 X 62
8	56002755	2	SCR FLT PHIL 1/4-20 X .50
9	56009019	2	VIS 1/4 20 X 0 38 (QTY 3 ON DIESEL MODELS)
10	56307078	1	BRACKET WELDMENT
11	56307226	1	SHROUD FAN (PETROL MODELS ONLY)
11	56307246	1	SHROUD DIESEL FAN (DIESEL MODELS ONLY)
12	56307227	1	SHROUD BOTTOM FAN (PETROL MODELS ONLY)
12	56307244	1	SHROUD DIESEL BOTTOM FAN (DIESEL MODELS ONLY)
13	56307228	1	BRACKET
14	56307229	1	GUARD FAN
15	56002220	4	WSH FLT STD 5/16

GM 1.6L REPLACEMENT PARTS - PSI

CR 1100/1200/1400

16-02-2015

ID Liste de pièces
E176139

178

Pas de dessin pour la liste de pièces

GM 1.6L REPLACEMENT PARTS - PSI

CR 1100/1200/1400

16-02-2015

ID Liste de pièces
E176139

179

Pos	Réf. Pièce	Qté	Description
1	56381760	1	COUPLING KIT
1	56381833	1	BRACKET-UPPER ALTERNATOR
1	56381856	1	ALTERNATOR HARDWARE KIT
1	56381858	1	PUMP HOUSING KIT
1	56381863	1	TMAP SENSOR KIT
1	56381864	1	OIL PRESSURE SENDER KIT
1	56381866	1	HOSE-12 IN
1	56381868	1	FITTING-THROTTLE BODY
1	56381870	1	SPACER-THROTTLE BODY
1	56381872	1	GASKET-THROTTLE BODY
1	56381874	1	THROTTLE BODY ADAPTER KIT
1	56381875	1	MIXER ADAPTER KIT
1	56381876	1	LP AIR INTAKE KIT
1	56381877	1	MIXER HARDWARE KIT
1	56381878	1	EPR HARDWARE KIT
1	56381879	1	EPR WATER OUT HOSE KIT
1	56381880	1	EPR WATER IN HOSE KIT
1	56381881	1	EPR VAPOR HOSE KIT
1	56381882	1	EPR VACUUM HOSE KIT
1	56381883	1	PVC HOSE KIT
1	56381884	1	CR/SHF POSITION SENSOR KIT
1	56381885	1	OIL PRESSURE RLF VALVE KIT
1	56381886	1	DIPSTICK KIT

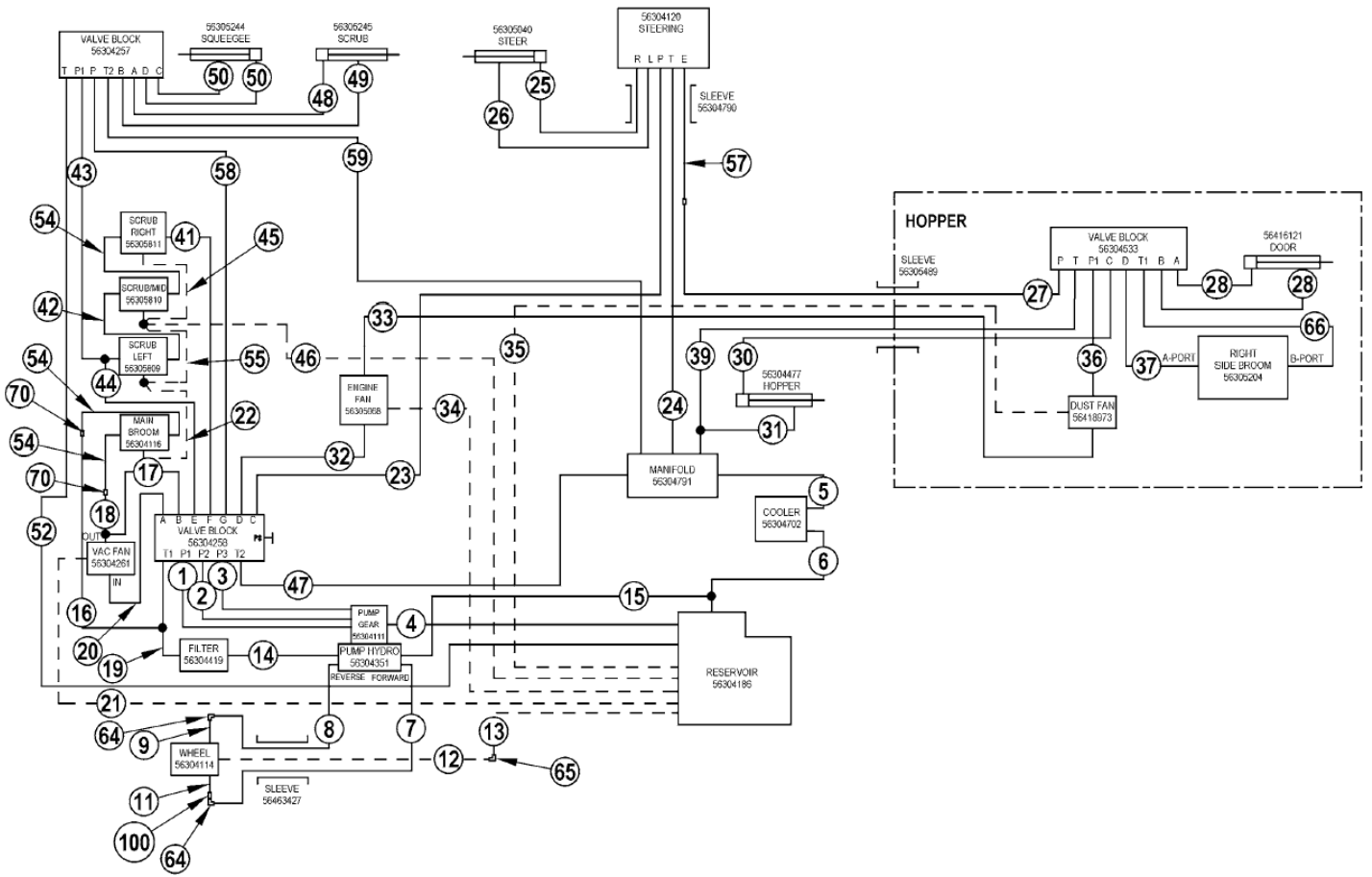
Hydraulic schematic - CR 1100 before SN 18738

CR 1100/1200/1400

16-02-2015

ID Liste de pièces
E14613

180



Hydraulic schematic - CR 1100 before SN 18738

CR 1100/1200/1400

16-02-2015

ID Liste de pièces
E14613

181

Pos	Réf. Pièce	Qté	Description
1	56305130	1	HOSE ASSY
2	56305131	1	HOSE ASSY
3	56305132	1	FLEXIBLE HYDRAULIQUE CPLT
4	56305133	1	HOSE ASSY
5	56305134	1	HOSE ASSY
6	56305135	1	HOSE ASSY
7	56305498	1	FLEXIBLE HYDRAULIQUE
8	56305136	1	FLEXIBLE HYDR POMPE TRACT
9	56305137	1	FLEXIBLE HYDRAULIQUE
11	56305139	1	FLEXIBLE HYDRAULIQUE
12	56305140	1	FLEXIBLE HYDRAULIQUE
13	56305141	1	FLEXIBLE HYDRAULIQUE
14	56305142	1	FLEXIBLE HYDRAULIQUE
15	56305143	1	HOSE ASSY
16	56305144	1	FLEXIBLE HYDRAULIQUE
17	56305145	1	EMBOUCHURE
18	56305146	1	FLEXIBLE HYDRAULIQUE
19	56305147	1	HOSE ASSY
20	56305148	1	FLEXIBLE HYDRAULIQUE
21	56305149	1	FLEXIBLE HYDRAULIQUE
22	56305150	1	HOSE ASSY
23	56305151	1	FLEXIBLE HYDRAULIQUE
24	56305152	1	HOSE ASSY
25	56305153	1	HOSE ASSY
26	56305154	1	HOSE ASSY
27	56305155	1	HOSE ASSY
28	56305156	2	HOSE ASSY
30	56305158	1	FLEXIBLE
31	56305159	1	HOSE ASSY
32	56305160	1	FLEXIBLE HYDRAULIQUE
33	56305161	1	HOSE ASSY
34	56305162	1	HOSE ASSY
35	56305163	1	HOSE ASSY
36	56305164	1	HOSE ASSY
37	56305165	1	HOSE ASSY
39	56305167	1	HOSE ASSY
41	56305169	1	EMBOUCHURE
42	56305813	1	HOSE ASSEMBLY
43	56305171	1	FLEXIBLE CPLT
44	56305172	1	FLEXIBLE CPLT
45	56305173	1	HOSE ASSY
46	56305174	1	FLEXIBLE HYDRAULIQUE
47	56305175	1	HOSE ASSY

Hydraulic schematic - CR 1100 before SN 187384

CR 1100/1200/1400

16-02-2015

D Liste de pièces
E14613

182

Pos	Réf. Pièce	Qté	Description	
48	56305176	1	TUYAU	
49	56305177	1	HOSE ASSY	
50	56305178	2	FLEXIBLE	
52	56305180	1	FLEXIBLE HYDRAULIQUE	
54	56305814	1	FLEXIBLE HYDRAULIQUE	
55	56305182	1	FLEXIBLE CPLT	
56	56305157	2	FLEXIBLE HYDRAULIQUE	
57	56305138	1	FLEXIBLE HYDRAULIQUE	
58	56305532	1	FLEXIBLE HYDRAULIQUE	
59	56305533	1	HOSE ASSY	
64	56900404	2	RACCORD HYDRAULIQUE UNION 8 E00012	
65	56900401	1	ELBOW UNION 4 E00012	
66	56305852	1	HOSE ASSEMBLY	
67	56305024	8	COLLIER DE FLEXIBLE HYDR.MOT.DE TRACTION	not shown
68	56409463	1	FIXATION 1 25 TUYAU SU	not shown
69	56496276	1	SUPPORT SERRE CABLE	not shown
70	56419064	2	LOCKNUT BULKHEAD E00598	
100	56900304	1	RACCORD 90DIA AVEC ECRO	

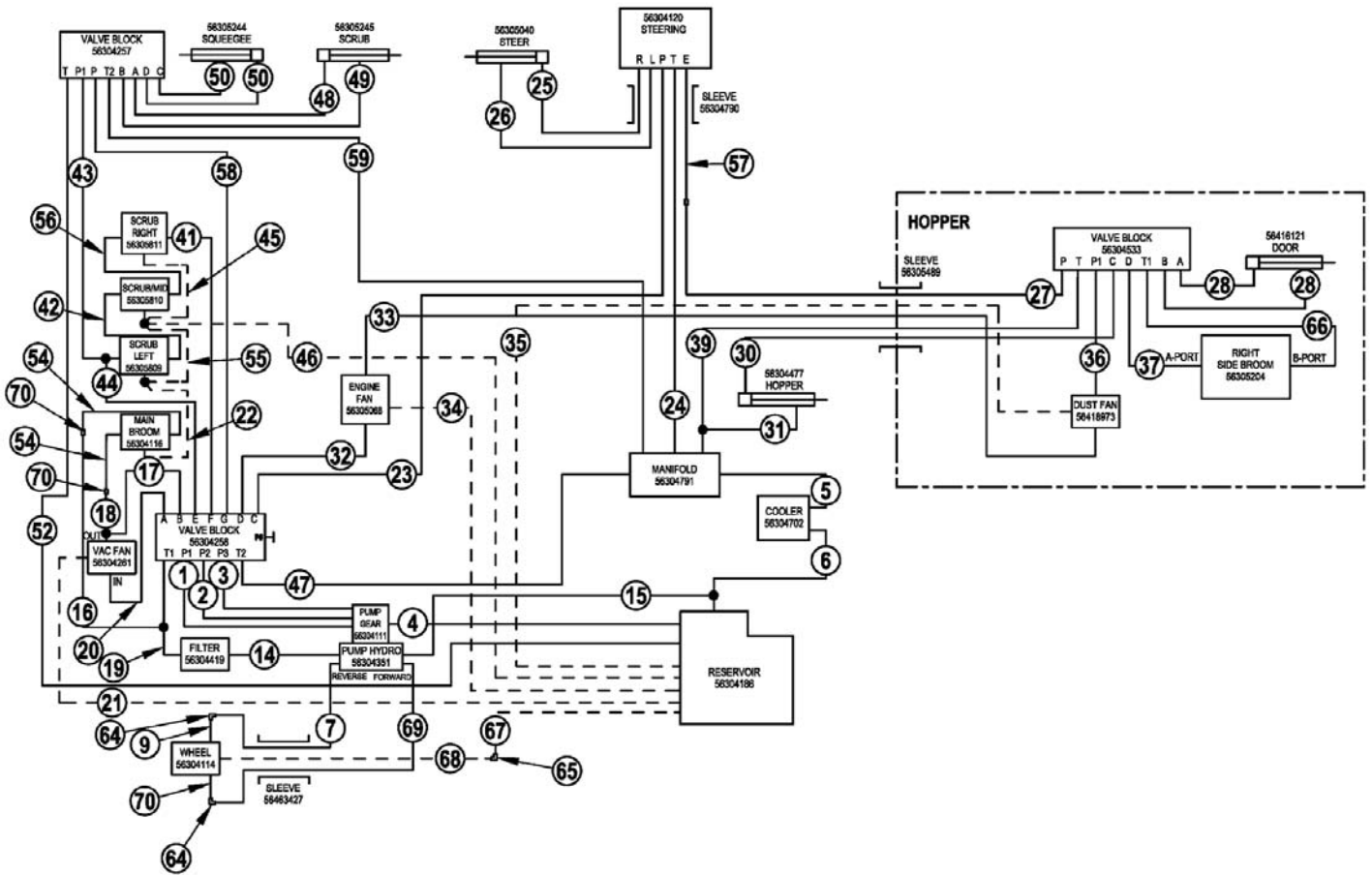
Hydraulic schematic - CR 1100 after SN 1873835

CR 1100/1200/1400

16-02-2015

ID Liste de pièces
E14615

183



Hydraulic schematic - CR 1100 after SN 1873835

16-02-2015

ID Liste de pièces
E14615

CR 1100/1200/1400

184

Pos	Réf. Pièce	Qté	Description
1	56305130	1	HOSE ASSY
2	56305131	1	HOSE ASSY
3	56305132	1	FLEXIBLE HYDRAULIQUE CPLT
4	56305133	1	HOSE ASSY
5	56305134	1	HOSE ASSY
6	56305135	1	HOSE ASSY
7	56305498	1	FLEXIBLE HYDRAULIQUE
9	56305137	1	FLEXIBLE HYDRAULIQUE
14	56305142	1	FLEXIBLE HYDRAULIQUE
15	56305143	1	HOSE ASSY
16	56305144	1	FLEXIBLE HYDRAULIQUE
17	56305145	1	EMBOUCHURE
18	56305146	1	FLEXIBLE HYDRAULIQUE
19	56305147	1	HOSE ASSY
20	56305148	1	FLEXIBLE HYDRAULIQUE
21	56305149	1	FLEXIBLE HYDRAULIQUE
22	56305150	1	HOSE ASSY
23	56305151	1	FLEXIBLE HYDRAULIQUE
24	56305152	1	HOSE ASSY
25	56305153	1	HOSE ASSY
26	56305154	1	HOSE ASSY
27	56305155	1	HOSE ASSY
28	56305156	2	HOSE ASSY
30	56305158	1	FLEXIBLE
31	56305159	1	HOSE ASSY
32	56305160	1	FLEXIBLE HYDRAULIQUE
33	56305161	1	HOSE ASSY
34	56305162	1	HOSE ASSY
35	56305163	1	HOSE ASSY
36	56305164	1	HOSE ASSY
37	56305165	1	HOSE ASSY
39	56305167	1	HOSE ASSY
41	56305169	1	EMBOUCHURE
42	56305813	1	HOSE ASSEMBLY
43	56305171	1	FLEXIBLE CPLT
44	56305172	1	FLEXIBLE CPLT
45	56305173	1	HOSE ASSY
46	56305174	1	FLEXIBLE HYDRAULIQUE
47	56305175	1	HOSE ASSY
48	56305176	1	TUYAU
49	56305177	1	HOSE ASSY
50	56305178	2	FLEXIBLE
52	56305180	1	FLEXIBLE HYDRAULIQUE

Hydraulic schematic - CR 1100 after SN 1873835

CR 1100/1200/1400

16-02-2015

ID Liste de pièces
E14615

185

Pos	Réf. Pièce	Qté	Description	
54	56305181	3	FLEXIBLE CPLT	
55	56305182	1	FLEXIBLE CPLT	
56	56305814	1	FLEXIBLE HYDRAULIQUE	
57	56305138	1	FLEXIBLE HYDRAULIQUE	
58	56305532	1	FLEXIBLE HYDRAULIQUE	
59	56305533	1	HOSE ASSY	
64	56900404	2	RACCORD HYDRAULIQUE UNION 8 E00012	
65	56900401	1	ELBOW UNION 4 E00012	
66	56305852	1	HOSE ASSEMBLY	
67	56306005	1	HOSE ASSEMBLY	
68	56306006	1	FLEXIBLE HYDRAULIQUE	
69	56306004	1	HOSE ASSEMBLY	
70	56306003	1	FLEXIBLE HYDRAULIQUE	
100	56305024	8	COLLIER DE FLEXIBLE HYDR.MOT.DE TRACTION	not shown
101	56409463	1	FIXATION 1 25 TUYAU SU	not shown
102	56496276	1	SUPPORT SERRE CABLE	not shown
103	56419064	2	LOCKNUT BULKHEAD E00598	

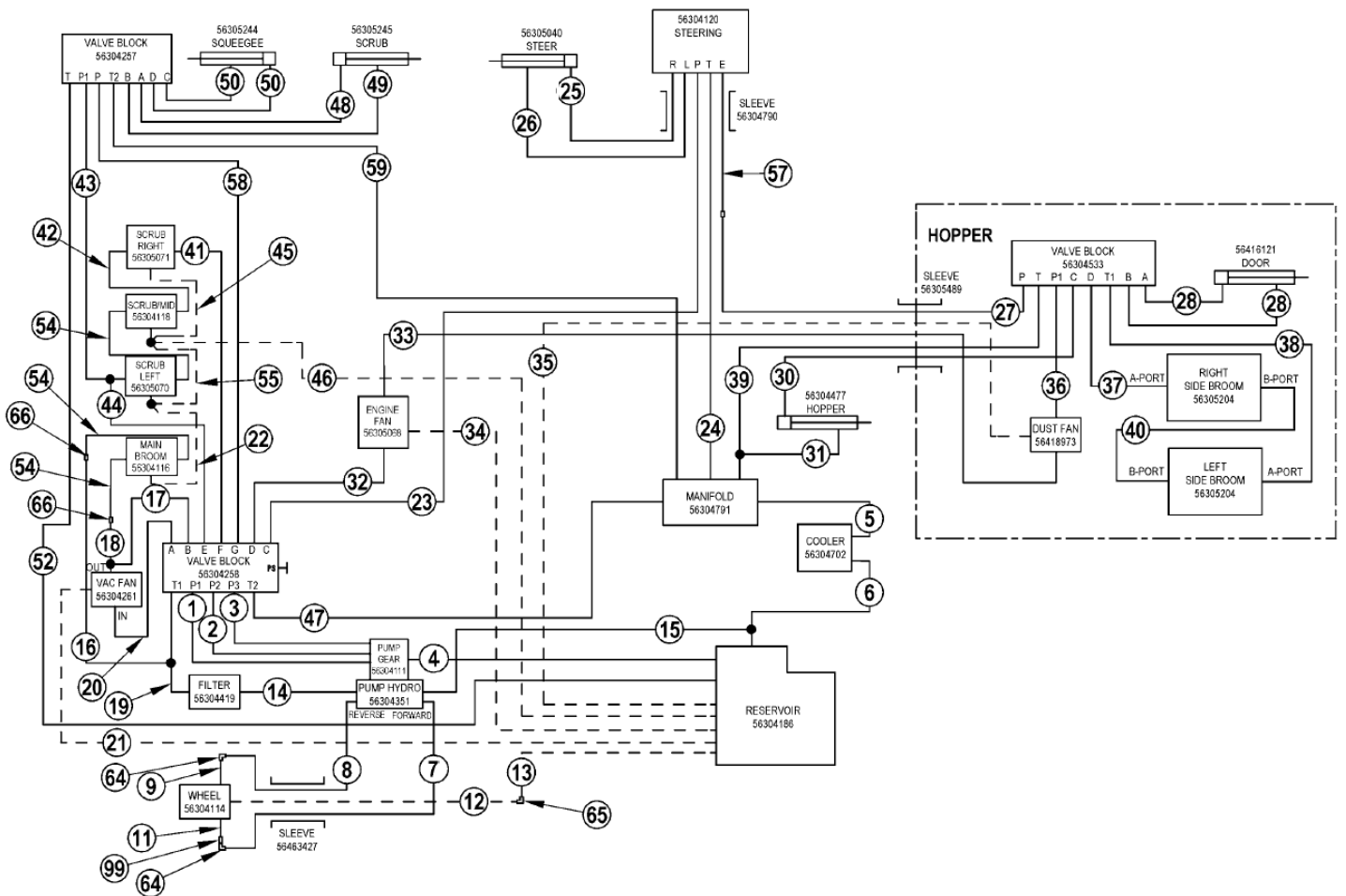
Hydraulic schematic - CR 1200 before SN 18738

CR 1100/1200/1400

16-02-2015

ID Liste de pièces
E14617

186



Hydraulic schematic - CR 1200 before SN 18738

CR 1100/1200/1400

16-02-2015

ID Liste de pièces
E14617

187

Pos	Réf. Pièce	Qté	Description
1	56305130	1	HOSE ASSY
2	56305131	1	HOSE ASSY
3	56305132	1	FLEXIBLE HYDRAULIQUE CPLT
4	56305133	1	HOSE ASSY
5	56305134	1	HOSE ASSY
6	56305135	1	HOSE ASSY
7	56305498	1	FLEXIBLE HYDRAULIQUE
8	56305136	1	FLEXIBLE HYDR POMPE TRACT
9	56305137	1	FLEXIBLE HYDRAULIQUE
11	56305139	1	FLEXIBLE HYDRAULIQUE
12	56305140	1	FLEXIBLE HYDRAULIQUE
13	56305141	1	FLEXIBLE HYDRAULIQUE
14	56305142	1	FLEXIBLE HYDRAULIQUE
15	56305143	1	HOSE ASSY
16	56305144	1	FLEXIBLE HYDRAULIQUE
17	56305145	1	EMBOUCHURE
18	56305146	1	FLEXIBLE HYDRAULIQUE
19	56305147	1	HOSE ASSY
20	56305148	1	FLEXIBLE HYDRAULIQUE
21	56305149	1	FLEXIBLE HYDRAULIQUE
22	56305150	1	HOSE ASSY
23	56305151	1	FLEXIBLE HYDRAULIQUE
24	56305152	1	HOSE ASSY
25	56305153	1	HOSE ASSY
26	56305154	1	HOSE ASSY
27	56305155	1	HOSE ASSY
28	56305156	2	HOSE ASSY
30	56305158	1	FLEXIBLE
31	56305159	1	HOSE ASSY
32	56305160	1	FLEXIBLE HYDRAULIQUE
33	56305161	1	HOSE ASSY
34	56305162	1	HOSE ASSY
35	56305163	1	HOSE ASSY
36	56305164	1	HOSE ASSY
37	56305165	1	HOSE ASSY
38	56305166	1	HOSE ASSY
39	56305167	1	HOSE ASSY
40	56305168	1	HOSE ASSY
41	56305169	1	EMBOUCHURE
42	56305170	1	FLEXIBLE HYDRAULIQUE
43	56305171	1	FLEXIBLE CPLT
44	56305172	1	FLEXIBLE CPLT
45	56305173	1	HOSE ASSY

Hydraulic schematic - CR 1200 before SN 18738

CR 1100/1200/1400

16-02-2015

ID Liste de pièces
E14617

188

Pos	Réf. Pièce	Qté	Description	
46	56305174	1	FLEXIBLE HYDRAULIQUE	
47	56305175	1	HOSE ASSY	
48	56305176	1	TUYAU	
49	56305177	1	HOSE ASSY	
50	56305178	2	FLEXIBLE	
52	56305180	1	FLEXIBLE HYDRAULIQUE	
54	56305181	3	FLEXIBLE CPLT	
55	56305182	1	FLEXIBLE CPLT	
57	56305138	1	FLEXIBLE HYDRAULIQUE	
58	56305532	1	FLEXIBLE HYDRAULIQUE	
59	56305533	1	HOSE ASSY	
64	56900404	2	RACCORD HYDRAULIQUE UNION 8 E00012	
65	56900401	1	ELBOW UNION 4 E00012	
66	56419064	2	LOCKNUT BULKHEAD E00598	
67	56305024	9	COLLIER DE FLEXIBLE HYDR.MOT.DE TRACTION	not shown
68	56409463	1	FIXATION 1 25 TUYAU SU	not shown
69	56496276	1	SUPPORT SERRE CABLE	not shown
99	56900304	1	RACCORD 90DIA AVEC ECRO	

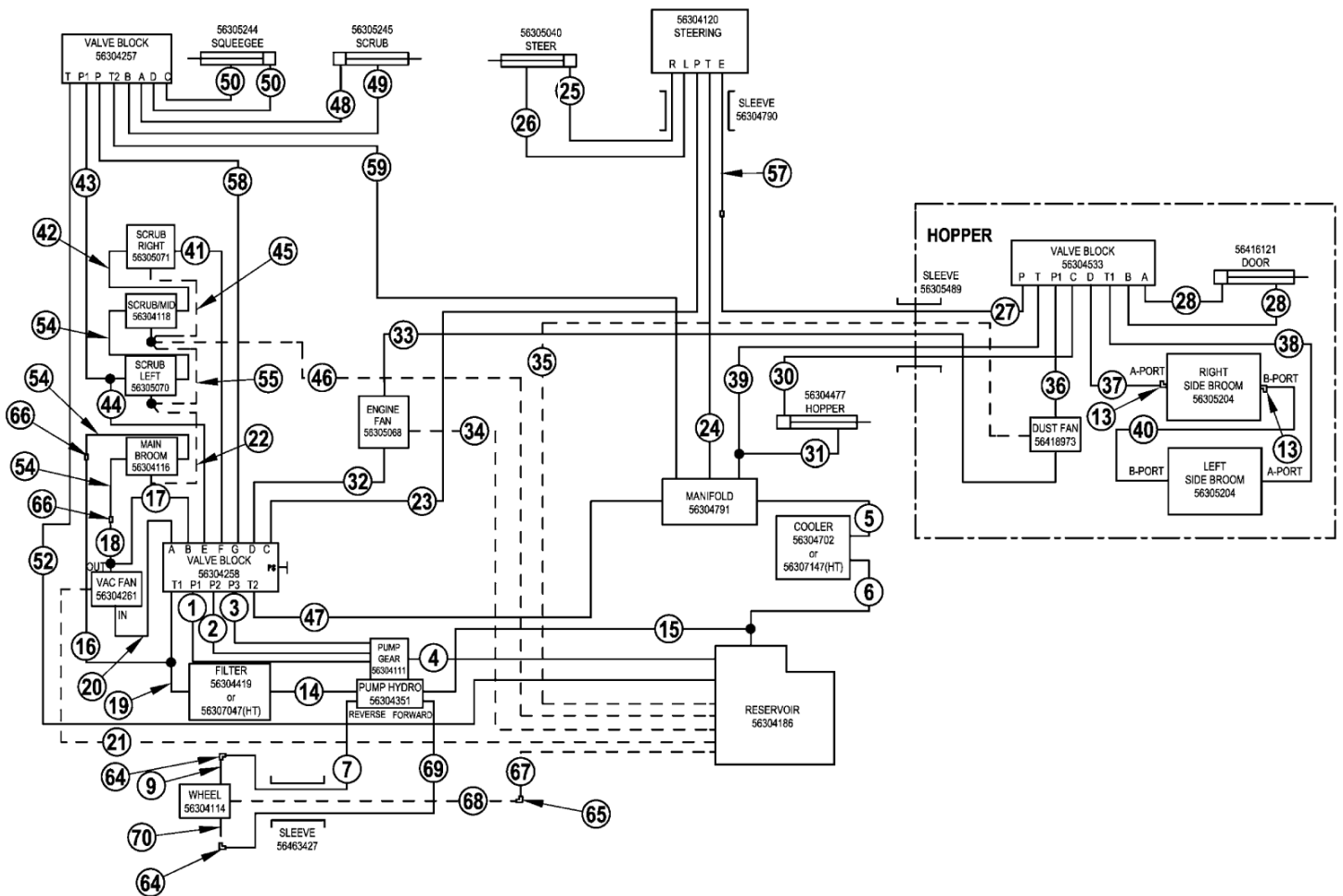
Hydraulic schematic - CR 1200 after SN 1873835

CR 1100/1200/1400

16-02-2015

ID Liste de pièces
E14619

189



Hydraulic schematic - CR 1200 after SN 1873835

CR 1100/1200/1400

16-02-2015

ID Liste de pièces
E14619

190

Pos	Réf. Pièce	Qté	Description
1	56305130	1	HOSE ASSY
2	56305131	1	HOSE ASSY
3	56305132	1	FLEXIBLE HYDRAULIQUE CPLT
4	56305133	1	HOSE ASSY
5	56305134	1	HOSE ASSY
5	56307139	1	HOSE ASSEMBLY NOTE 1
6	56305135	1	HOSE ASSY
6	56307138	1	HOSE ASSEMBLY NOTE 1
7	56305498	1	FLEXIBLE HYDRAULIQUE
9	56305137	1	FLEXIBLE HYDRAULIQUE
13	56900303	2	ELBOW 90D W/NUT 6C6X S E00007
14	56305142	1	FLEXIBLE HYDRAULIQUE
15	56305143	1	HOSE ASSY
16	56305144	1	FLEXIBLE HYDRAULIQUE
17	56305145	1	EMBOUCHURE
18	56305146	1	FLEXIBLE HYDRAULIQUE
19	56305147	1	HOSE ASSY
20	56305148	1	FLEXIBLE HYDRAULIQUE
21	56305149	1	FLEXIBLE HYDRAULIQUE
22	56305150	1	HOSE ASSY
23	56305151	1	FLEXIBLE HYDRAULIQUE
24	56305152	1	HOSE ASSY
25	56305153	1	HOSE ASSY
26	56305154	1	HOSE ASSY
27	56305155	1	HOSE ASSY
28	56305156	2	HOSE ASSY
30	56305158	1	FLEXIBLE
31	56305159	1	HOSE ASSY
32	56305160	1	FLEXIBLE HYDRAULIQUE
33	56305161	1	HOSE ASSY
34	56305162	1	HOSE ASSY
35	56305163	1	HOSE ASSY
36	56305164	1	HOSE ASSY
37	56305165	1	HOSE ASSY
38	56305166	1	HOSE ASSY
39	56305167	1	HOSE ASSY
40	56305168	1	HOSE ASSY
41	56305169	1	EMBOUCHURE
42	56305170	1	FLEXIBLE HYDRAULIQUE
43	56305171	1	FLEXIBLE CPLT
44	56305172	1	FLEXIBLE CPLT
45	56305173	1	HOSE ASSY
46	56305174	1	FLEXIBLE HYDRAULIQUE

NOTE 1: These items are only used on the HT models 56307236 & 56307238.

Hydraulic schematic - CR 1200 after SN 1873835

CR 1100/1200/1400

16-02-2015

ID Liste de pièces
E14619

191

Pos	Réf. Pièce	Qté	Description	
47	56305175	1	HOSE ASSY	
48	56305176	1	TUYAU	
49	56305177	1	HOSE ASSY	
50	56305178	2	FLEXIBLE	
52	56305180	1	FLEXIBLE HYDRAULIQUE	
54	56305181	3	FLEXIBLE CPLT	
55	56305182	1	FLEXIBLE CPLT	
57	56305138	1	FLEXIBLE HYDRAULIQUE	
58	56305532	1	FLEXIBLE HYDRAULIQUE	
59	56305533	1	HOSE ASSY	
64	56900404	2	RACCORD HYDRAULIQUE UNION 8 E00012	
65	56900401	1	ELBOW UNION 4 E00012	
66	56419064	2	LOCKNUT BULKHEAD E00598	
67	56306005	1	HOSE ASSEMBLY	
68	56306006	1	FLEXIBLE HYDRAULIQUE	
69	56306004	1	HOSE ASSEMBLY	
70	56306003	1	FLEXIBLE HYDRAULIQUE	
99	56305024	9	COLLIER DE FLEXIBLE HYDR.MOT.DE TRACTION	not shown
100	56409463	1	FIXATION 1 25 TUYAU SU	not shown
101	56496276	1	SUPPORT SERRE CABLE	not shown

NOTE 1: These items are only used on the HT models 56307236 & 56307238.

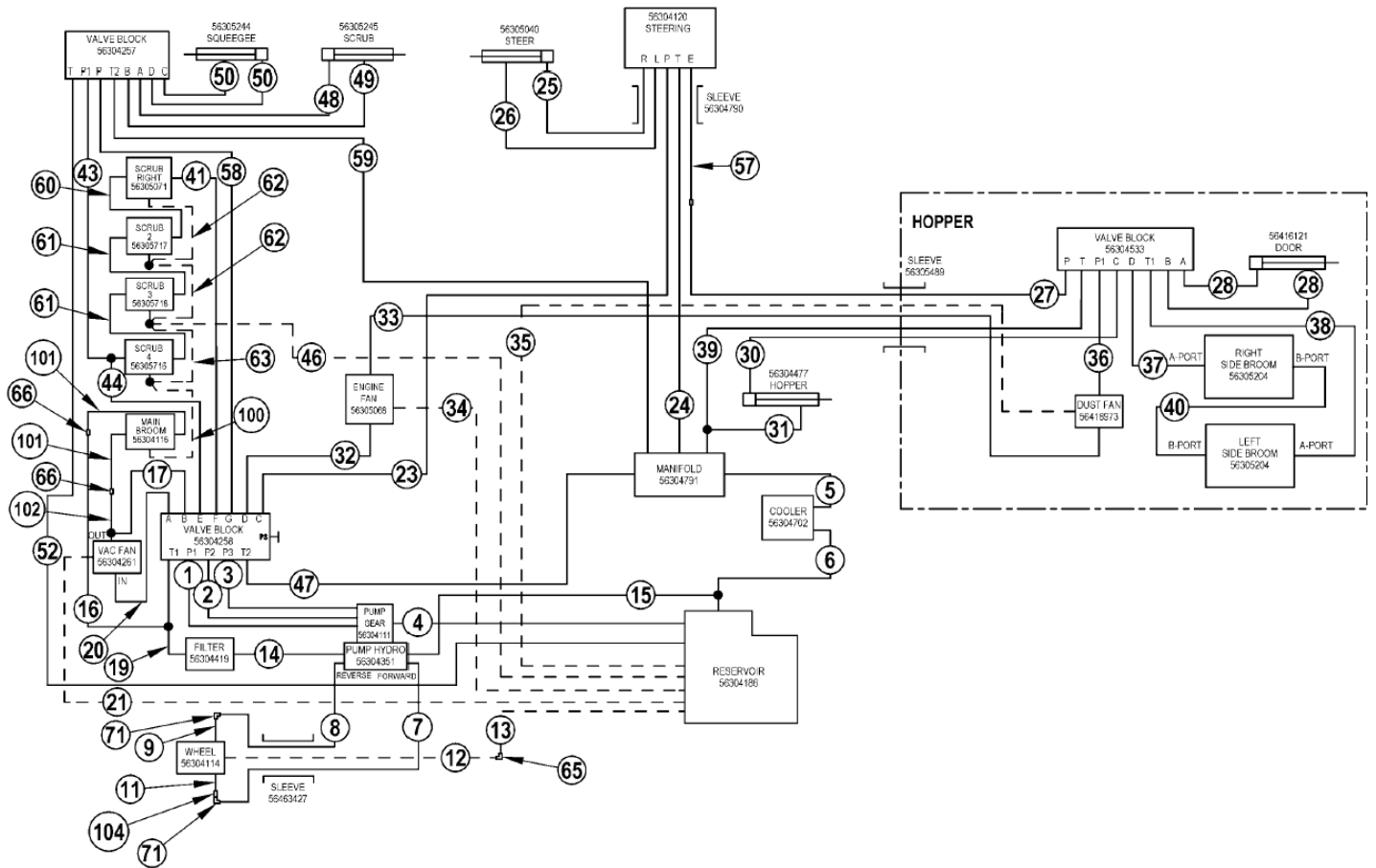
Hydraulic schematic - CR 1100/1200/1400 before

CR 1100/1200/1400

16-02-2015

ID Liste de pièces
E146111

192



Hydraulic schematic - CR 1100/1200/1400 before

CR 1100/1200/1400

16-02-2015

ID Liste de pièces
E146111

193

Pos	Réf. Pièce	Qté	Description
1	56305130	1	HOSE ASSY
2	56305131	1	HOSE ASSY
3	56305132	1	FLEXIBLE HYDRAULIQUE CPLT
4	56305133	1	HOSE ASSY
5	56305134	1	HOSE ASSY
6	56305135	1	HOSE ASSY
7	56305498	1	FLEXIBLE HYDRAULIQUE
8	56305136	1	FLEXIBLE HYDR POMPE TRACT
9	56305137	1	FLEXIBLE HYDRAULIQUE
11	56305139	1	FLEXIBLE HYDRAULIQUE
12	56305140	1	FLEXIBLE HYDRAULIQUE
13	56305141	1	FLEXIBLE HYDRAULIQUE
14	56305142	1	FLEXIBLE HYDRAULIQUE
15	56305143	1	HOSE ASSY
16	56305144	1	FLEXIBLE HYDRAULIQUE
17	56305145	1	EMBOUCHURE
18	56305146	1	FLEXIBLE HYDRAULIQUE
19	56305147	1	HOSE ASSY
20	56305148	1	FLEXIBLE HYDRAULIQUE
21	56305149	1	FLEXIBLE HYDRAULIQUE
22	56305150	1	HOSE ASSY
23	56305151	1	FLEXIBLE HYDRAULIQUE
24	56305152	1	HOSE ASSY
25	56305153	1	HOSE ASSY
26	56305154	1	HOSE ASSY
27	56305155	1	HOSE ASSY
28	56305156	2	HOSE ASSY
30	56305158	1	FLEXIBLE
31	56305159	1	HOSE ASSY
32	56305160	1	FLEXIBLE HYDRAULIQUE
33	56305161	1	HOSE ASSY
34	56305162	1	HOSE ASSY
35	56305163	1	HOSE ASSY
36	56305164	1	HOSE ASSY
37	56305165	1	HOSE ASSY
38	56305166	1	HOSE ASSY
39	56305167	1	HOSE ASSY
40	56305168	1	HOSE ASSY
41	56305169	1	EMBOUCHURE
43	56305171	1	FLEXIBLE CPLT
44	56305172	1	FLEXIBLE CPLT
46	56305174	1	FLEXIBLE HYDRAULIQUE
47	56305175	1	HOSE ASSY

Hydraulic schematic - CR 1100/1200/1400 before

CR 1100/1200/1400

16-02-2015

D Liste de pièces
E146111

194

Pos	Réf. Pièce	Qté	Description	
48	56305176	1	TUYAU	
49	56305177	1	HOSE ASSY	
50	56305178	2	FLEXIBLE	
52	56305180	1	FLEXIBLE HYDRAULIQUE	
56	56305754	2	HOSE ASSEMBLY	
57	56305138	1	FLEXIBLE HYDRAULIQUE	
58	56305532	1	FLEXIBLE HYDRAULIQUE	
59	56305533	1	HOSE ASSY	
60	56305673	1	FLEXIBLE	
61	56305674	2	HOSE ASSEMBLY	
62	56305675	2	HOSE ASSEMBLY	
63	56305676	1	HOSE ASSEMBLY	
64	56305677	1	HOSE ASSEMBLY	
65	56900401	1	ELBOW UNION 4 E00012	
66	56419064	2	LOCKNUT BULKHEAD E00598	
67	56305024	8	COLLIER DE FLEXIBLE HYDR.MOT.DE TRACTION	not shown
68	56409463	1	FIXATION 1 25 TUYAU SU	not shown
69	56496276	1	SUPPORT SERRE CABLE	not shown
70	56900301	1	RACCORD HYDRAULIQUE 90 DI	
71	56900404	2	RACCORD HYDRAULIQUE UNION 8 E00012	
100	56305925	1	HOSE ASSEMBLY	
101	56305754	2	HOSE ASSEMBLY	
102	56305936	1	FLEXIBLE HYDRAULIQUE	
104	56900304	1	RACCORD 90DIA AVEC ECRO	

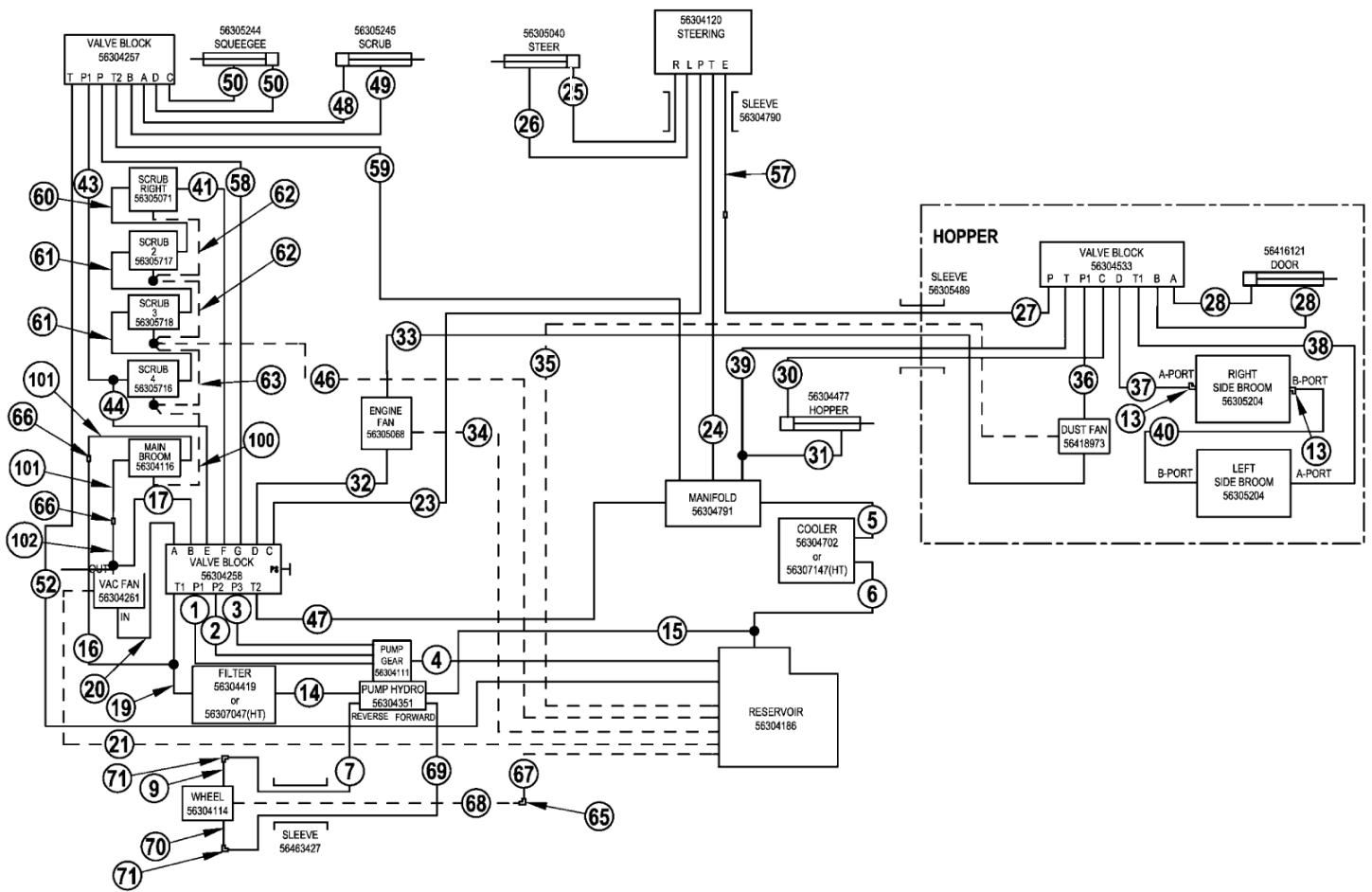
Hydraulic schematic - CR 1400 after SN 1873835

CR 1100/1200/1400

16-02-2015

ID Liste de pièces
E146113

195



Hydraulic schematic - CR 1400 after SN 1873835

CR 1100/1200/1400

16-02-2015

ID Liste de pièces
E146113

196

Pos	Réf. Pièce	Qté	Description
1	56305130	1	HOSE ASSY
2	56305131	1	HOSE ASSY
3	56305132	1	FLEXIBLE HYDRAULIQUE CPLT
4	56305133	1	HOSE ASSY
5	56305134	1	HOSE ASSY
5	56307139	1	HOSE ASSEMBLY
			NOTE 1
6	56305135	1	HOSE ASSY
6	56307138	1	HOSE ASSEMBLY
			NOTE 1
7	56305498	1	FLEXIBLE HYDRAULIQUE
9	56305137	1	FLEXIBLE HYDRAULIQUE
13	56900303	2	ELBOW 90D W/NUT 6C6X S E00007
14	56305142	1	FLEXIBLE HYDRAULIQUE
15	56305143	1	HOSE ASSY
16	56305144	1	FLEXIBLE HYDRAULIQUE
17	56305145	1	EMBOUCHURE
19	56305147	1	HOSE ASSY
20	56305148	1	FLEXIBLE HYDRAULIQUE
21	56305149	1	FLEXIBLE HYDRAULIQUE
23	56305151	1	FLEXIBLE HYDRAULIQUE
24	56305152	1	HOSE ASSY
25	56305153	1	HOSE ASSY
26	56305154	1	HOSE ASSY
27	56305155	1	HOSE ASSY
28	56305156	2	HOSE ASSY
30	56305158	1	FLEXIBLE
31	56305159	1	HOSE ASSY
32	56305160	1	FLEXIBLE HYDRAULIQUE
33	56305161	1	HOSE ASSY
34	56305162	1	HOSE ASSY
35	56305163	1	HOSE ASSY
36	56305164	1	HOSE ASSY
37	56305165	1	HOSE ASSY
38	56305166	1	HOSE ASSY
39	56305167	1	HOSE ASSY
40	56305168	1	HOSE ASSY
41	56305169	1	EMBOUCHURE
43	56305171	1	FLEXIBLE CPLT
44	56305172	1	FLEXIBLE CPLT
46	56305174	1	FLEXIBLE HYDRAULIQUE
47	56305175	1	HOSE ASSY
48	56305176	1	TUYAU
49	56305177	1	HOSE ASSY
50	56305178	2	FLEXIBLE

NOTE 1: These items are only used on the HT models 56307236 & 56307238.

Hydraulic schematic - CR 1400 after SN 1873835

CR 1100/1200/1400

16-02-2015

ID Liste de pièces
E146113

197

Pos	Réf. Pièce	Qté	Description	
52	56305180	1	FLEXIBLE HYDRAULIQUE	
57	56305138	1	FLEXIBLE HYDRAULIQUE	
58	56305532	1	FLEXIBLE HYDRAULIQUE	
59	56305533	1	HOSE ASSY	
60	56305673	1	FLEXIBLE	
61	56305674	2	HOSE ASSEMBLY	
62	56305675	2	HOSE ASSEMBLY	
63	56305676	1	HOSE ASSEMBLY	
65	56900401	1	ELBOW UNION 4 E00012	
66	56419064	2	LOCKNUT BULKHEAD E00598	
67	56306005	1	HOSE ASSEMBLY	
68	56306006	1	FLEXIBLE HYDRAULIQUE	
69	56306004	1	HOSE ASSEMBLY	
70	56306003	1	FLEXIBLE HYDRAULIQUE	
71	56900404	2	RACCORD HYDRAULIQUE UNION 8 E00012	
100	56305925	1	HOSE ASSEMBLY	
101	56305754	2	HOSE ASSEMBLY	
102	56305936	1	FLEXIBLE HYDRAULIQUE	
104	56305024	8	COLLIER DE FLEXIBLE HYDR.MOT.DE TRACTION	not shown
105	56409463	1	FIXATION 1 25 TUYAU SU	not shown
106	56496276	1	SUPPORT SERRE CABLE	not shown

NOTE 1: These items are only used on the HT models 56307236 & 56307238.

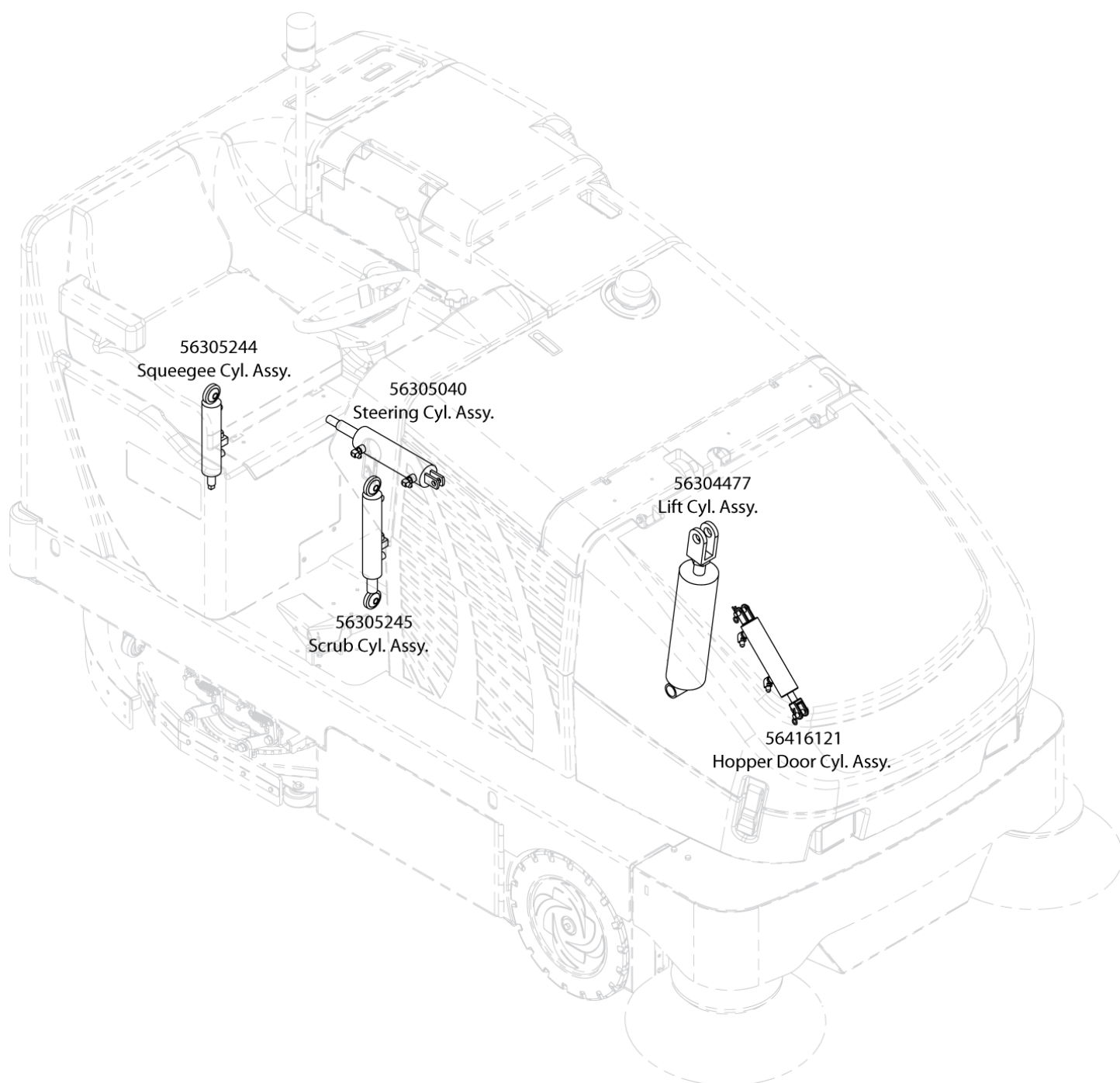
Hydraulic cylinder assemblies - Hydraulic Syst

CR 1100/1200/1400

16-02-2015

ID Liste de pièces
E146115

198



Hydraulic cylinder assemblies - Hydraulic System

CR 1100/1200/1400

16-02-2015

ID Liste de pièces
E146115

199

Pos	Réf. Pièce	Qté	Description
0		1	USE LINK

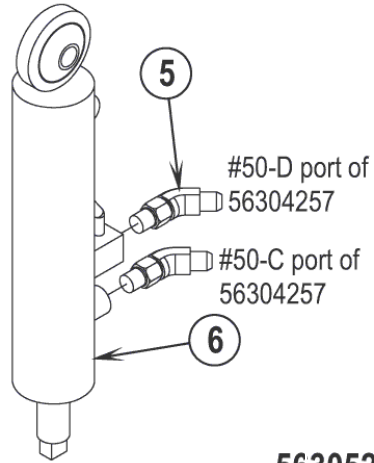
Hydraulic cylinder assemblies - Hydraulic Syst

CR 1100/1200/1400

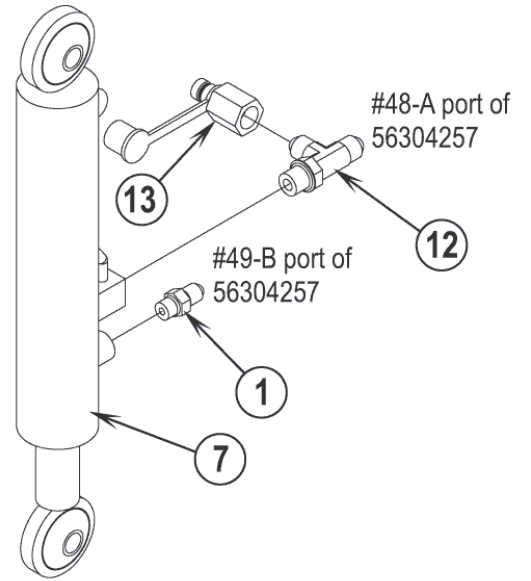
16-02-2015

ID Liste de pièces
E146117

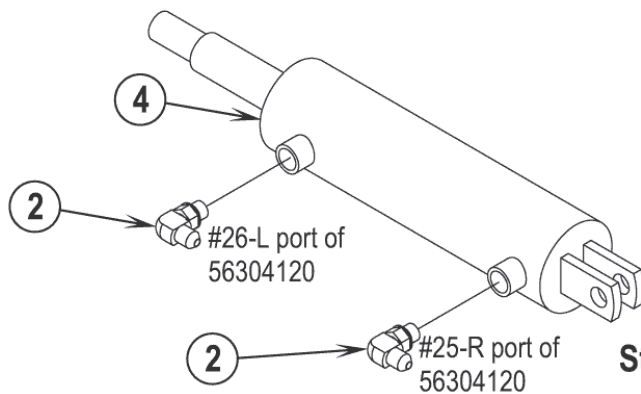
200



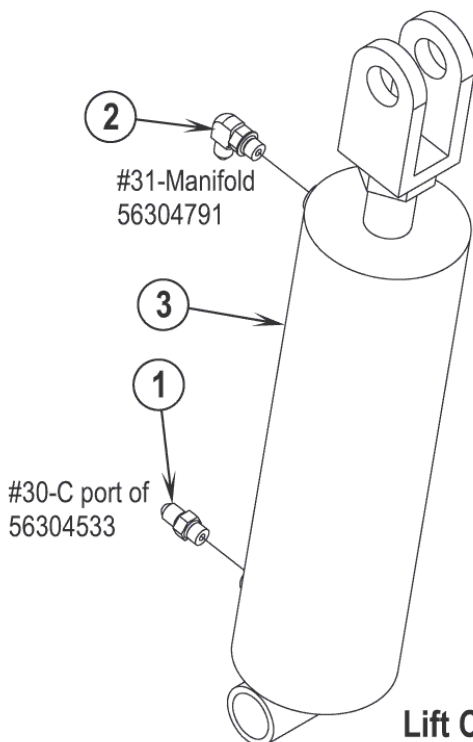
56305244
Squeegee Cylinder Assy



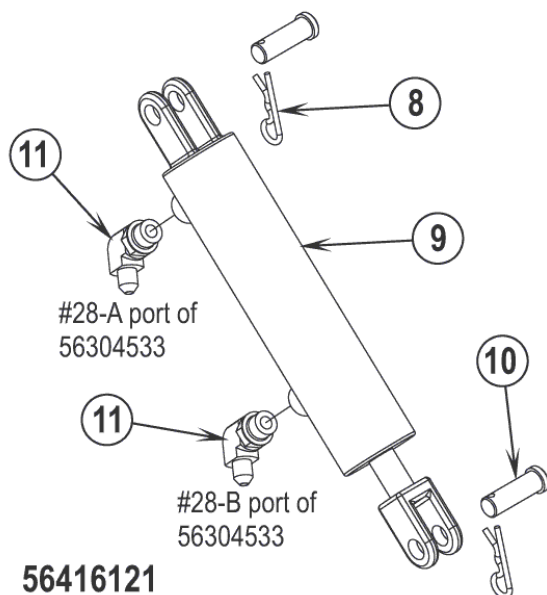
56305245
Scrub Cylinder Assy



56305040
Steering Cylinder Assy



56304477
Lift Cylinder Assy



56416121
Hopper Door Cylinder Assy

Hydraulic cylinder assemblies - Hydraulic System

CR 1100/1200/1400

16-02-2015

ID Liste de pièces
E146117

201

Pos	Réf. Pièce	Qté	Description	
0	56304477	1	VERIN DE BENNE	
0	56305040	1	STEERING CYLINDER ASSEMBLY	
0	56305244	1	CYLINDRE D'EMBOUCHURE	
0	56305245	1	VERIN DE BROSSE	
0	56305702	1	KIT JOINT POUR 56110262	Squeegie Cylinder Assy Replacement Parts (56305244)
0	56305703	1	SEAL KIT	Scrub Cylinder Assy Replacement Parts (56305245) -
0	56305704	1	KIT JOINTS	Lift Cylinder Assy Replacement Parts (56304477) -
0	56416121	1	VERIN COMPLET	
0	56488723	1	KIT JOINT	Steering Cylinder Assy Replacement Parts (56305040)
1	56900001	3	CONNECTEUR AVEC JOINT	
2	56900101	3	COUDE 90DIA HYDRAULIQUE	
3	56304478	1	CYLINDER HOPPER	
4	56304933	1	VERIN HYDRAULIQUE 2 X 6	
5	56900151	2	COUDE 45DIA	
6	56304588	1	CYLINDER HYDRAULIC 1.5 X 5	
7	56304603	1	CYLINDER HYDRAULIC	
8	56002529	2	GOUPILLE 1/8 EME X 1	
9	56416202	1	VERIN OUVERTURE DE PORTE	
10	56486733	2	BAGUE 5 X 1 5	
11	56900110	2	ELBOW 90DEG O/R 4 6 E00003	
12	56900201	1	TEE RUN O/R 4 E00005	
13	56900906	1	TEST NIPPLE	

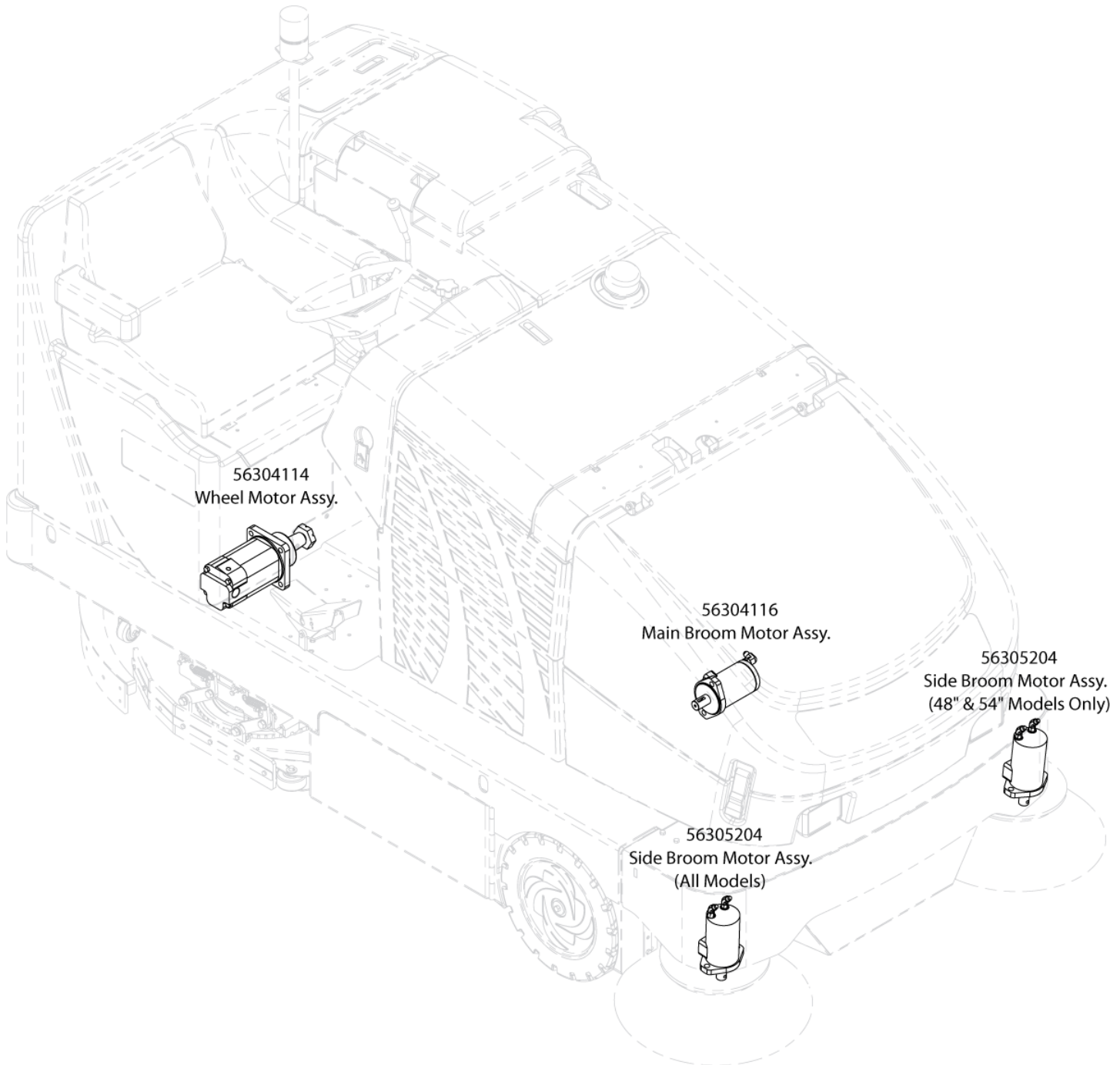
Hydraulic motor assemblies - Broom-wheel/drive

CR 1100/1200/1400

16-02-2015

ID Liste de pièces
E146119

202



Hydraulic motor assemblies - Broom-wheel/drive

CR 1100/1200/1400

16-02-2015

ID Liste de pièces
E146119

203

Pos	Réf. Pièce	Qté	Description
-----	------------	-----	-------------

0		1	USE LINK
---	--	---	----------

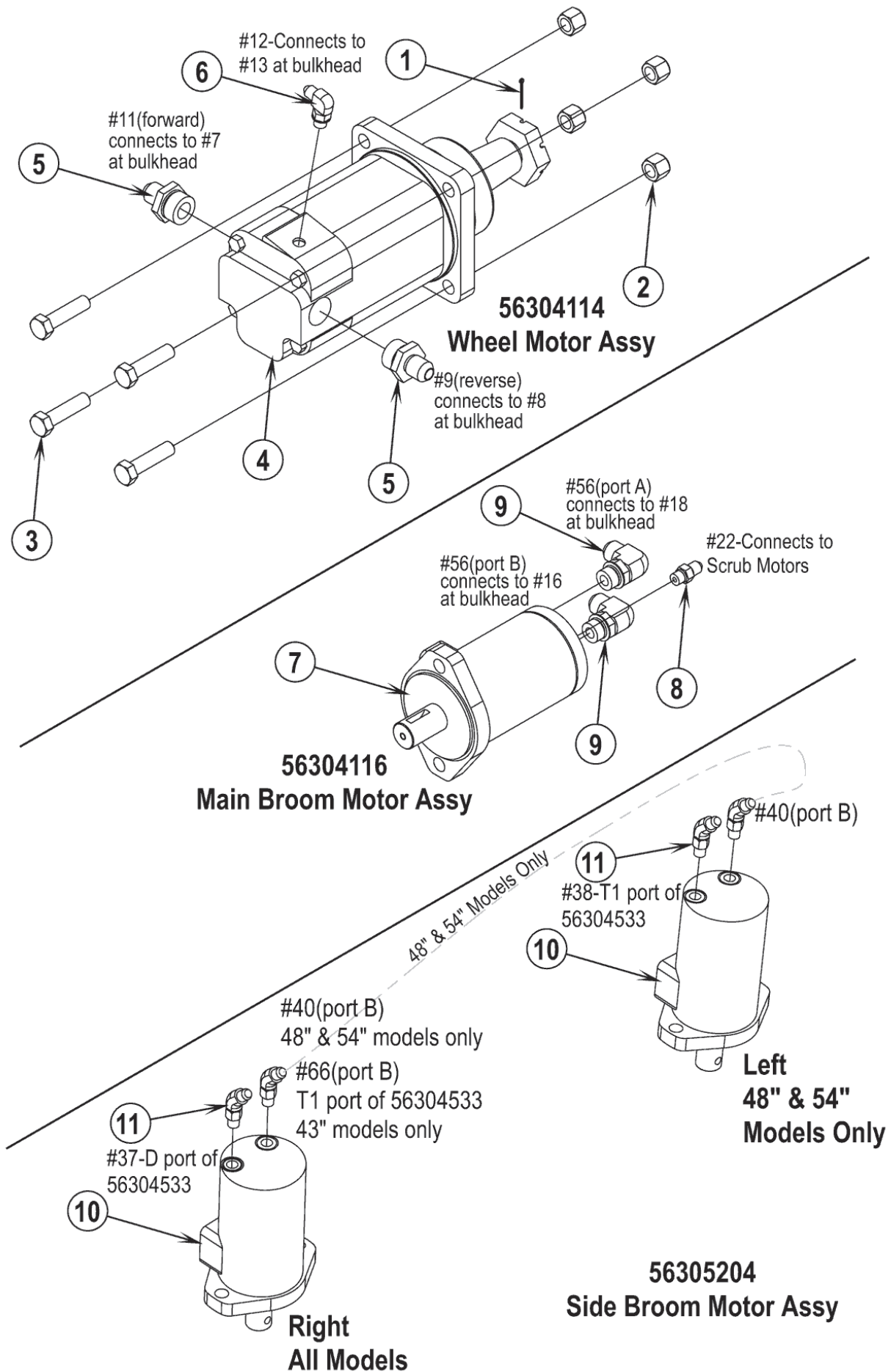
Hydraulic motor assemblies - Broom-wheel/drive

CR 1100/1200/1400

16-02-2015

ID Liste de pièces
E146121

204



Hydraulic motor assemblies - Broom-wheel/drive

CR 1100/1200/1400

16-02-2015

ID Liste de pièces
E146121

205

Pos	Réf. Pièce	Qté	Description	
0	56304114	1	MOTEUR DE ROUE	
0	56304116	1	MONTAGE MOTEUR BROSSE PRINCIPAL	
0	56305204	2	BALAI MOTEUR	
0	56305358	1	KIT JOINT MOTEUR	Wheel Motor Replacement Parts (56304144) - not sho
0	56479577	1	KIT JOINT	Broom Motor Replacement Part - not shown
1	56002181	1	GOUPILLE DE SECURITE	
2	56002770	4	ECROU 1/2 13	
3	56002983	4	VIS 1/2 13 X 2 00	
4	56304115	1	MOTEUR DE TRACTION	
4	8-70-00026	1	CLAVETTE	KEY for motor axle on motor 56304115
5	56900016	2	CONNECTEUR O/R 8-12	
6	56900101	1	COUDE 90DIA HYDRAULIQUE	
7	56304117	1	MOTEUR HYDRAULIQUE	
8	56900001	1	CONNECTEUR AVEC JOINT	
9	56900112	2	ELBOW 90DEG.O/R 6 8 E00003	
10	56418976	2	MOTEUR BROSSE LATERALE	
11	56900162	4	RACCORD 45°	

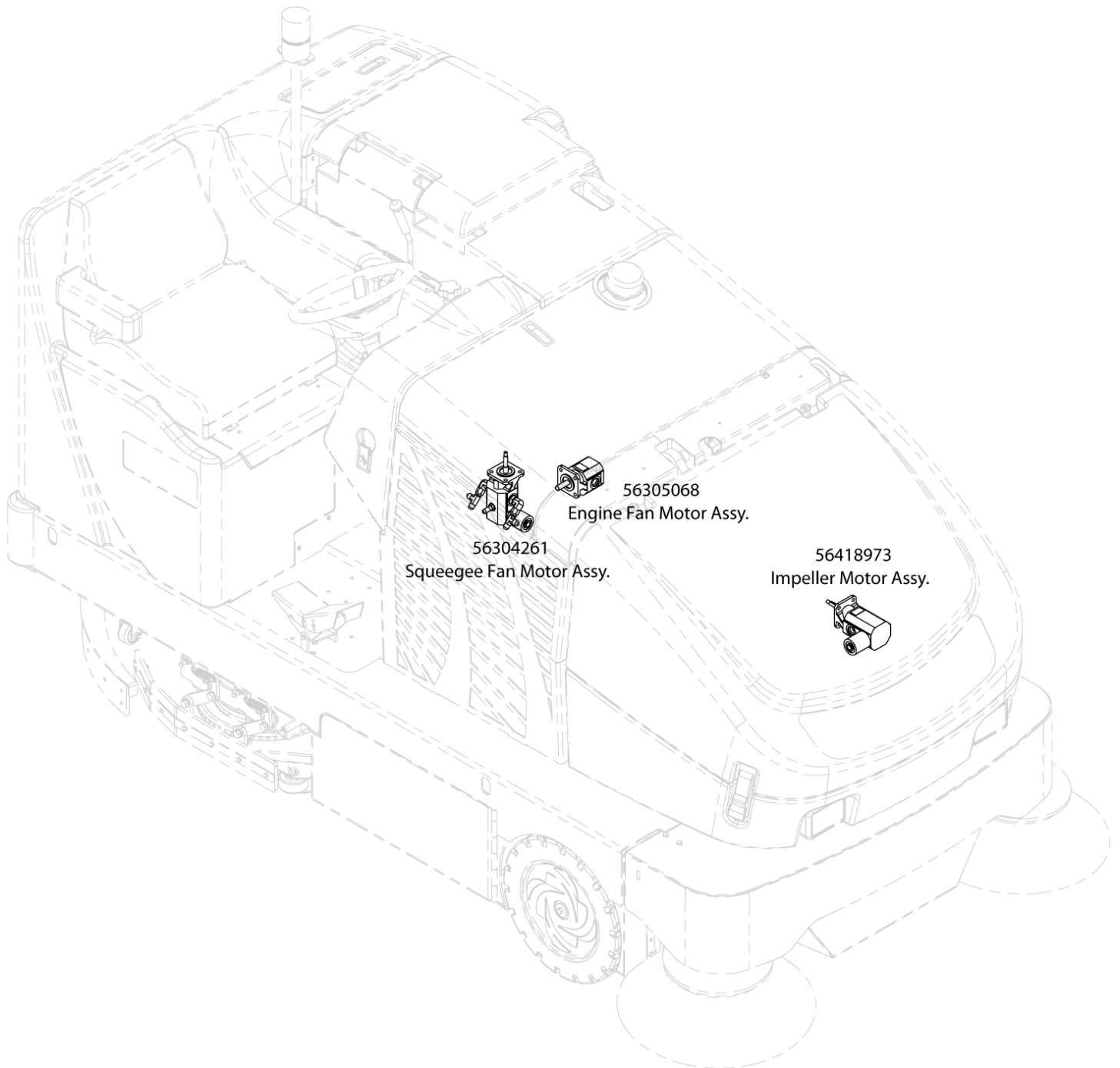
Hydraulisch motor assemblies - impeller/fans - H

CR 1100/1200/1400

16-02-2015

ID Liste de pièces
E146123

206



Hydraulisch motor assemblies - impeller/fans - H

CR 1100/1200/1400

16-02-2015

ID Liste de pièces
E146123

207

Pos	Réf. Pièce	Qté	Description
-----	------------	-----	-------------

0		1	USE LINK
---	--	---	----------

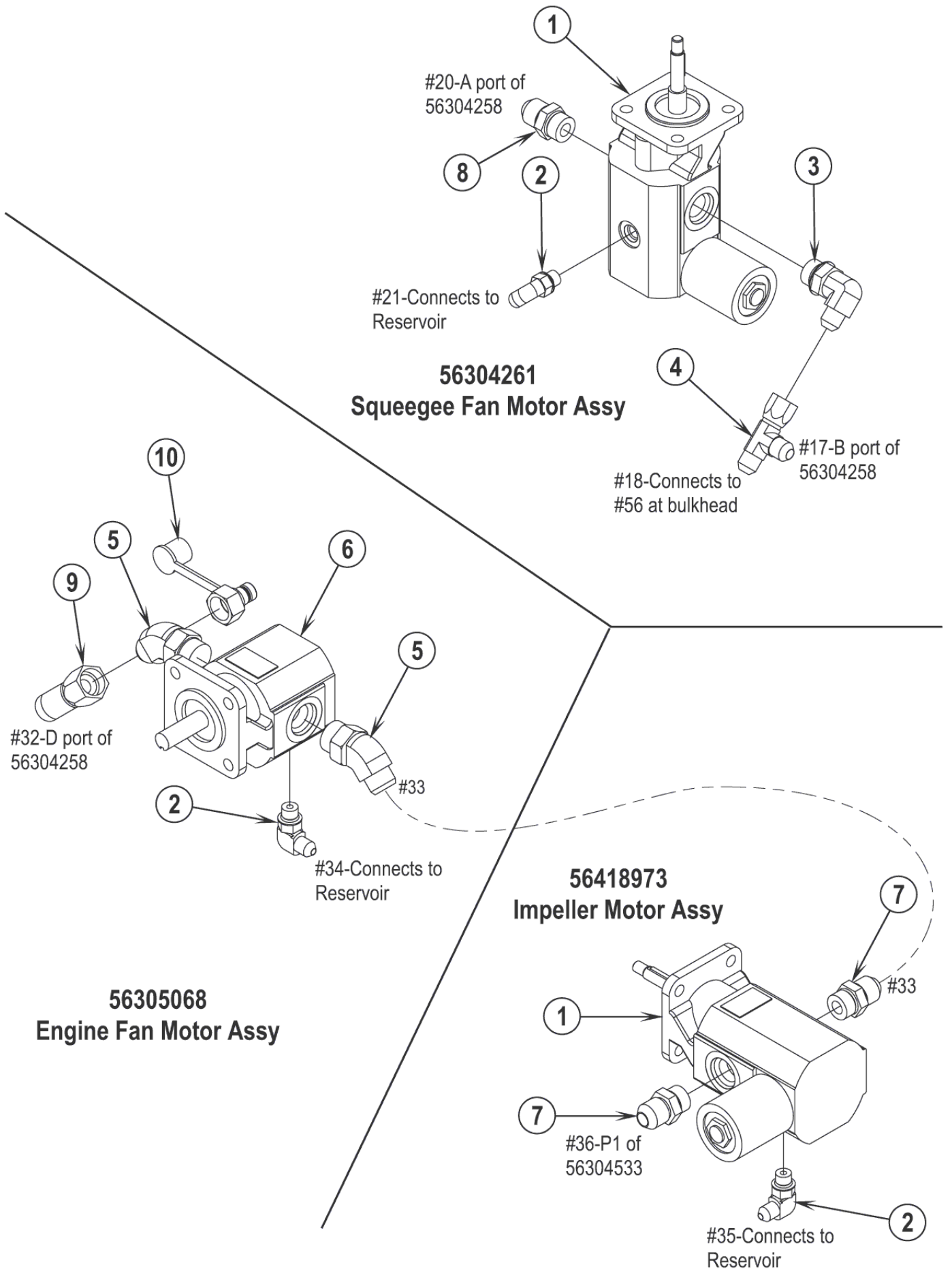
Hydraulisch motor assemblies - impeller/fans - H

CR 1100/1200/1400

16-02-2015

ID Liste de pièces
E146125

208



Hydraulich motor assemblies - impeller/fans - H

CR 1100/1200/1400

16-02-2015

ID Liste de pièces
E146125

209

Pos	Réf. Pièce	Qté	Description	
0	56304261	1	MOTEUR HYDRAUL ASPIRAT	
0	56305068	1	MOTEUR HYDRAULIQUE	
0	56418973	1	MOTEUR CPLT ASPIRATION	
1	56418971	2	MOTEUR HYDRAULIQUE CPLT	
2	56900101	3	COUDE 90DIA HYDRAULIQUE	
3	56900112	1	ELBOW 90DEG.O/R 6 8 E00003	
4	56900343	1	TEE E00009	
5	56900164	2	FLEXIBLE HYDRAULIQUE	
6	56304143	1	MOTOR HYDRAULIC .323	
7	56900004	2	CONNECTOR O/R 8 E00001	
8	56900013	1	CONNECTOR O/R 6 8 E00001	
9	56900344	1	TE HYDRAULIQUE DE	
A	56418823	1	KIT DE JOINT MOTEUR HYDRA	Not shown
A	56419176	1	TIROIR	Not shown
A	56419177	1	BOBINE	Not shown
A	56419178	1	KIT JOINT MOT HYDRAULIQU	Not shown
10	56418866	1	COUPLING 8 TEST PORT	

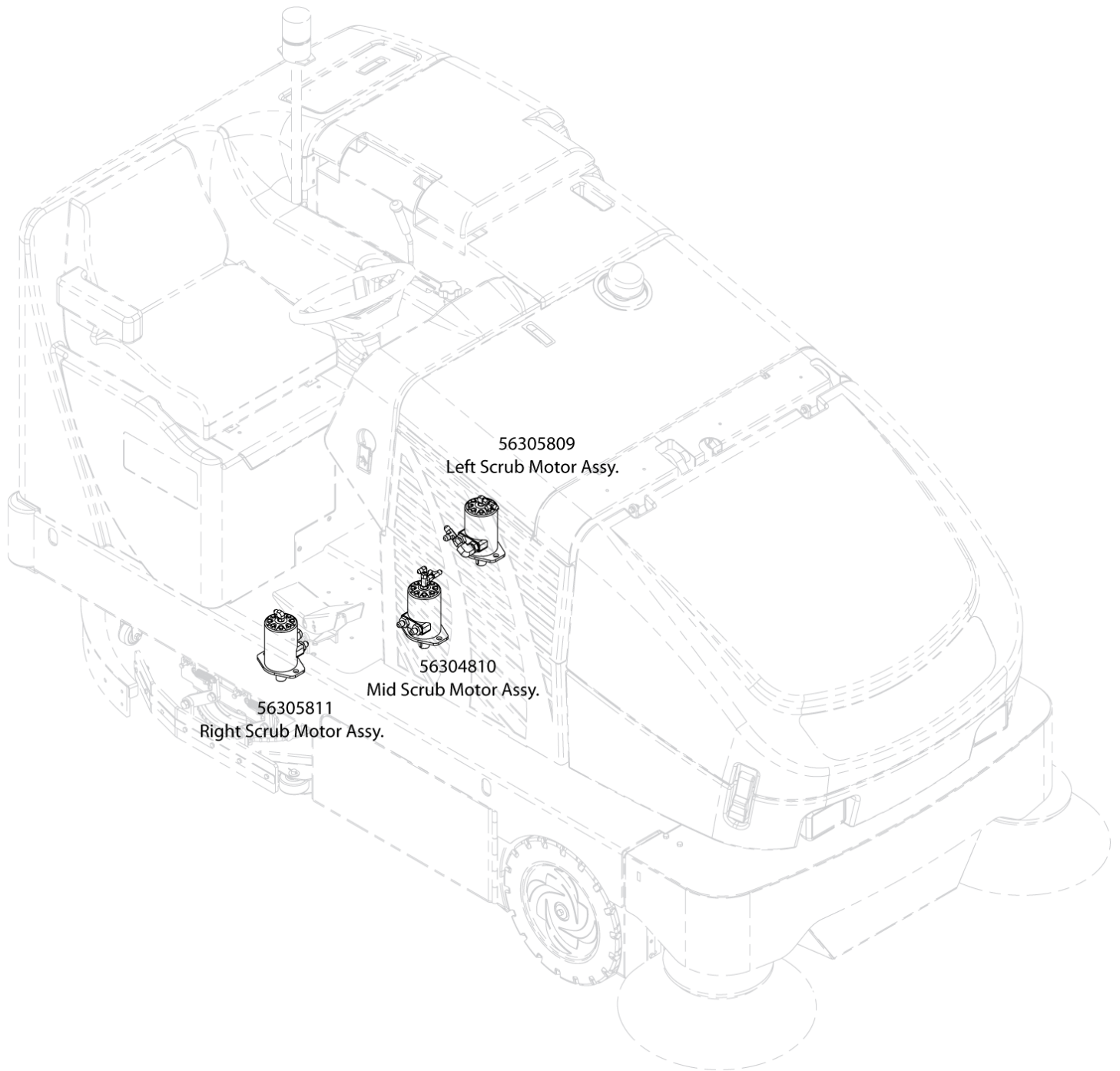
Hydraulic motor assemblies - Scrub - CR 1100 -

CR 1100/1200/1400

16-02-2015

ID Liste de pièces
E146127

210



Hydraulic motor assemblies - Scrub - CR 1100 -

CR 1100/1200/1400

16-02-2015

ID Liste de pièces
E146127

211

Pos	Réf. Pièce	Qté	Description
-----	------------	-----	-------------

0		1	USE LINK
---	--	---	----------

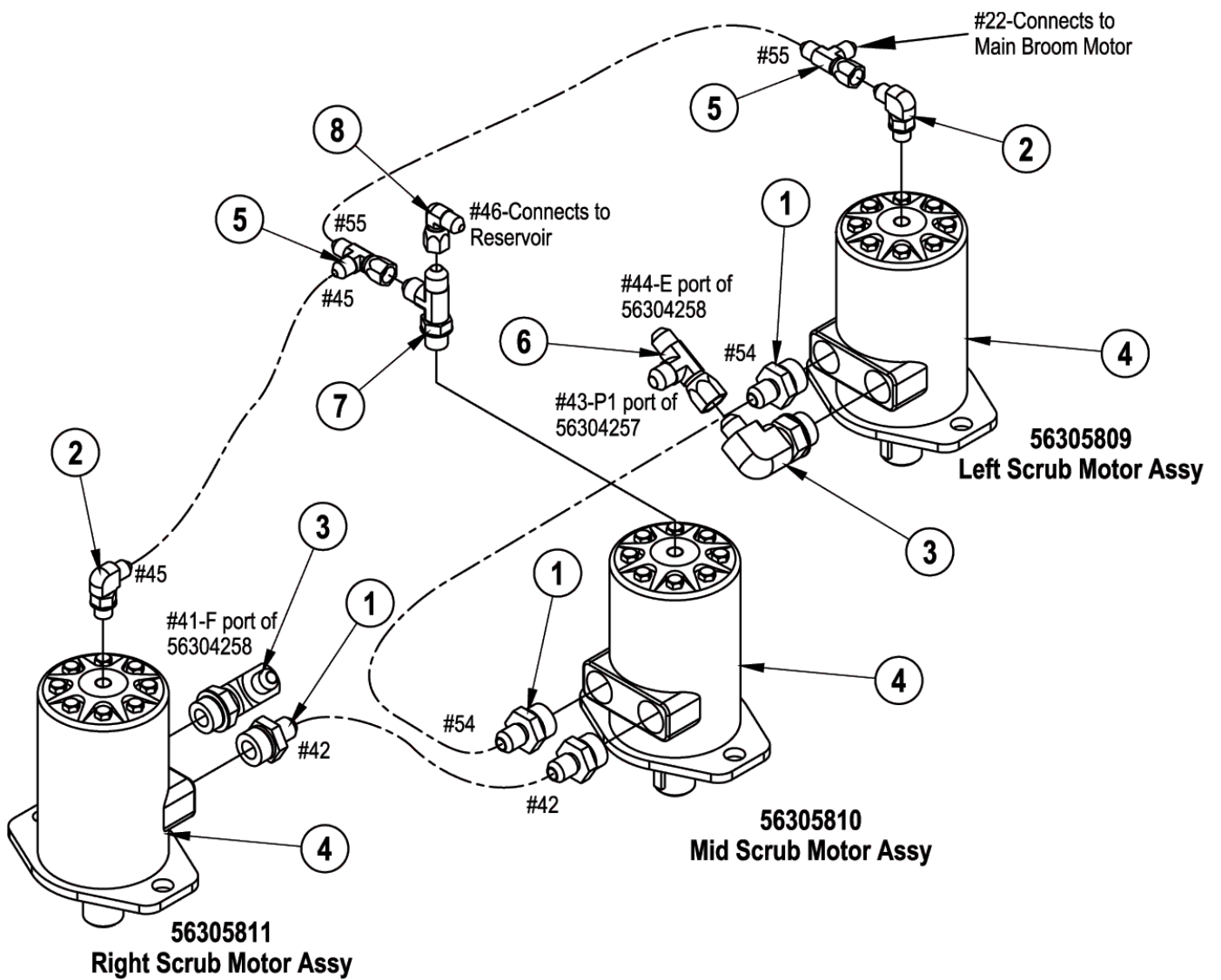
Hydraulic motor assemblies - Scrub - CR 1100 -

CR 1100/1200/1400

16-02-2015

ID Liste de pièces
E146129

212



Hydraulic motor assemblies - Scrub - CR 1100 -

CR 1100/1200/1400

16-02-2015

ID Liste de pièces
E146129

213

Pos	Réf. Pièce	Qté	Description
0	56305357	1	KIT JOINT Scrub Motor Replacement Parts (All motors) - Not s
0	56305809	1	KIT MOTEUR GAUCHE
0	56305810	1	MOTEUR HYDRAULIQUE CPLT
0	56305811	1	KIT MOTEUR DROIT
1	56900014	4	CONNECTOR O/R 6 10 E00001
2	56900101	2	COUDE 90DIA HYDRAULIQUE
3	56900113	2	ELBOW 90 DEG.O/R
4	56304811	3	MOTEUR HYDRAULIQUE 4 5
5	56900341	2	TE HYDRAULIQUE
6	56900343	1	TEE E00009
7	56900201	1	TEE RUN O/R 4 E00005
8	56900301	1	RACCORD HYDRAULIQUE 90 DI

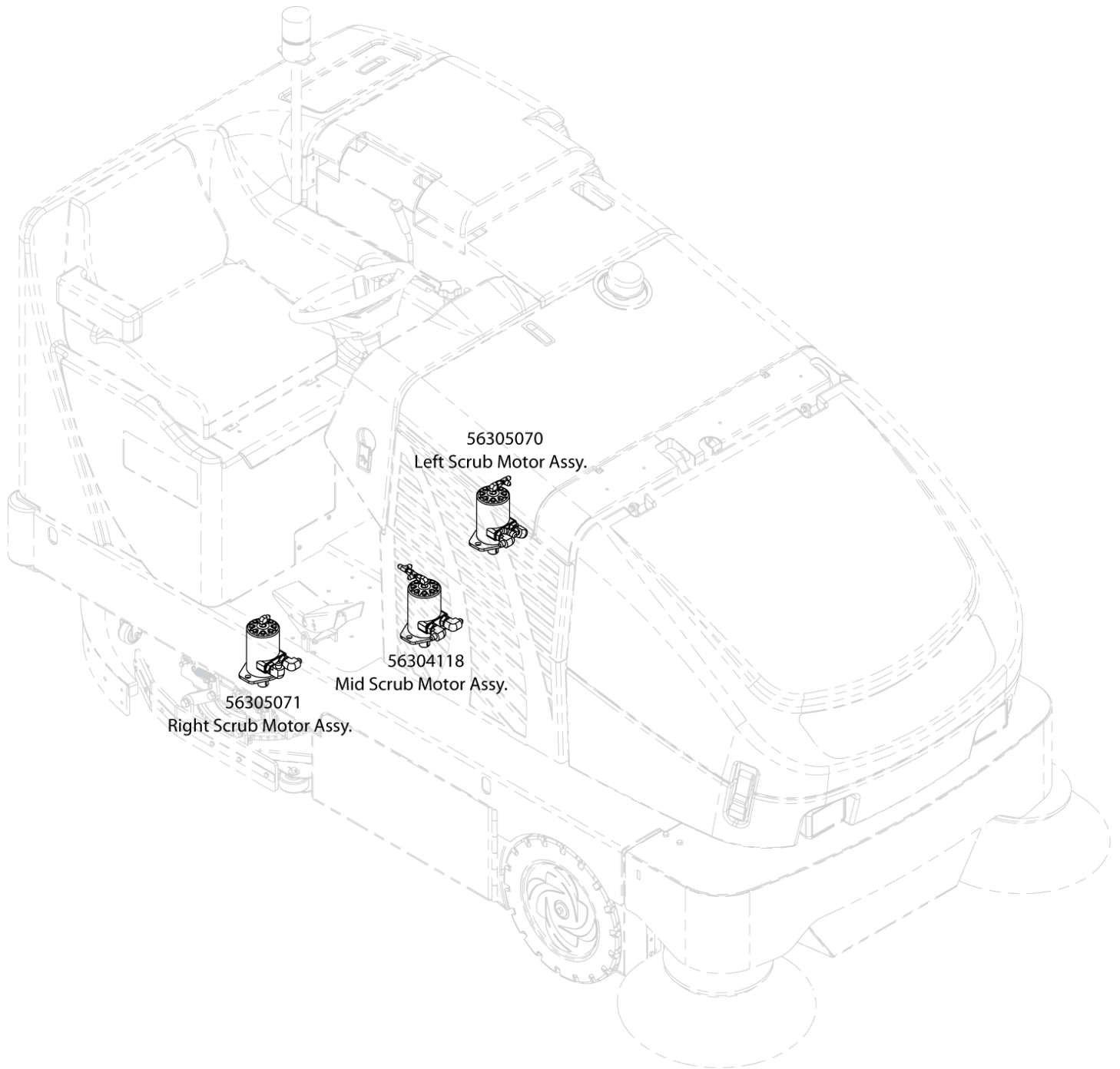
Hydraulic motor assemblies - Scrub - CR 1200 -

CR 1100/1200/1400

16-02-2015

ID Liste de pièces
E146131

214



Hydraulic motor assemblies - Scrub - CR 1200 -

CR 1100/1200/1400

16-02-2015

ID Liste de pièces
E146131

215

Pos	Réf. Pièce	Qté	Description
-----	------------	-----	-------------

0		1	USE LINK
---	--	---	----------

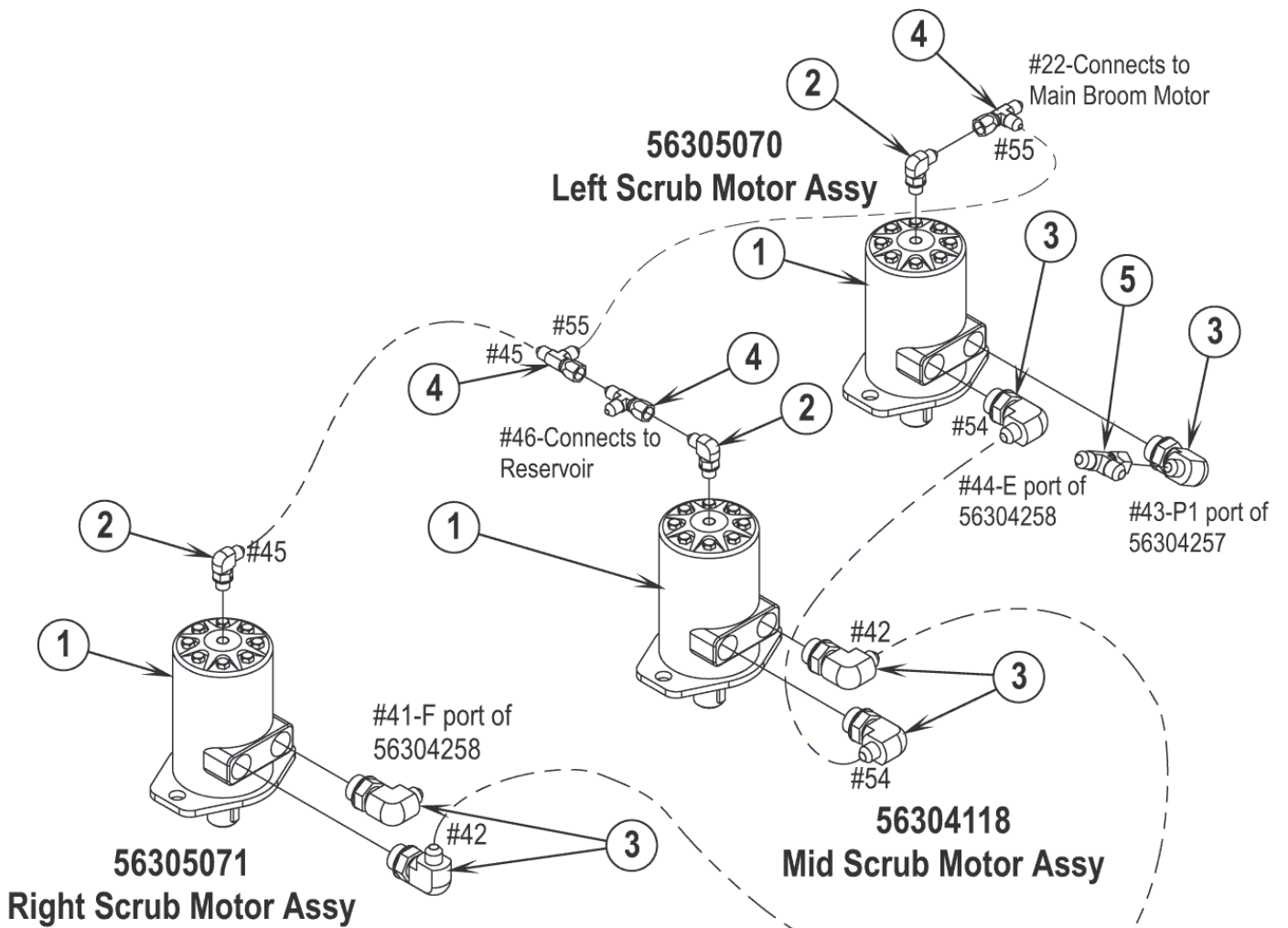
Hydraulic motor assemblies - Scrub - CR 1200 -

CR 1100/1200/1400

16-02-2015

ID Liste de pièces
E146133

216



Hydraulic motor assemblies - Scrub - CR 1200 -

CR 1100/1200/1400

16-02-2015

ID Liste de pièces
E146133

217

Pos	Réf. Pièce	Qté	Description
	56304118	1	MOTEUR BROSSE
	56305070	1	MOTOR GAUCHE CPLT ASS
	56305071	1	MOTEUR HYDRAULIQUE
0	56305357	1	KIT JOINT
			Scrub Motor Replacement Parts (All motors) - Not s
1	56304811	3	MOTEUR HYDRAULIQUE 4 5
2	56900101	3	COUDE 90DIA HYDRAULIQUE
3	56900113	6	ELBOW 90 DEG.O/R
4	56900341	3	TE HYDRAULIQUE
5	56900343	1	TEE E00009

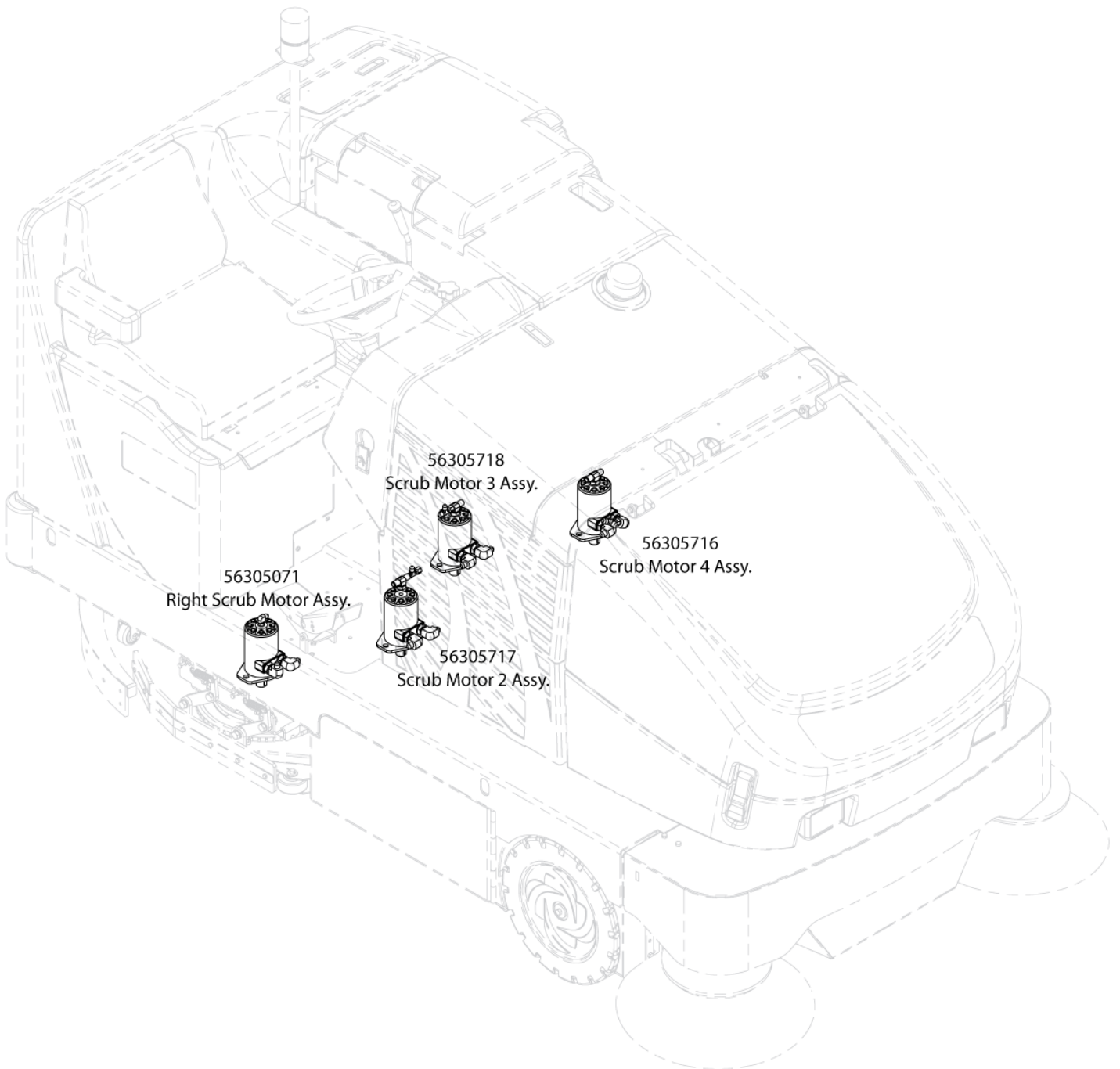
Hydraulic motor assemblies - Scrub - CR 1400 -

CR 1100/1200/1400

16-02-2015

ID Liste de pièces
E146135

218



Hydraulic motor assemblies - Scrub - CR 1400 -

CR 1100/1200/1400

16-02-2015

ID Liste de pièces
E146135

219

Pos	Réf. Pièce	Qté	Description
-----	------------	-----	-------------

0		1	USE LINK
---	--	---	----------

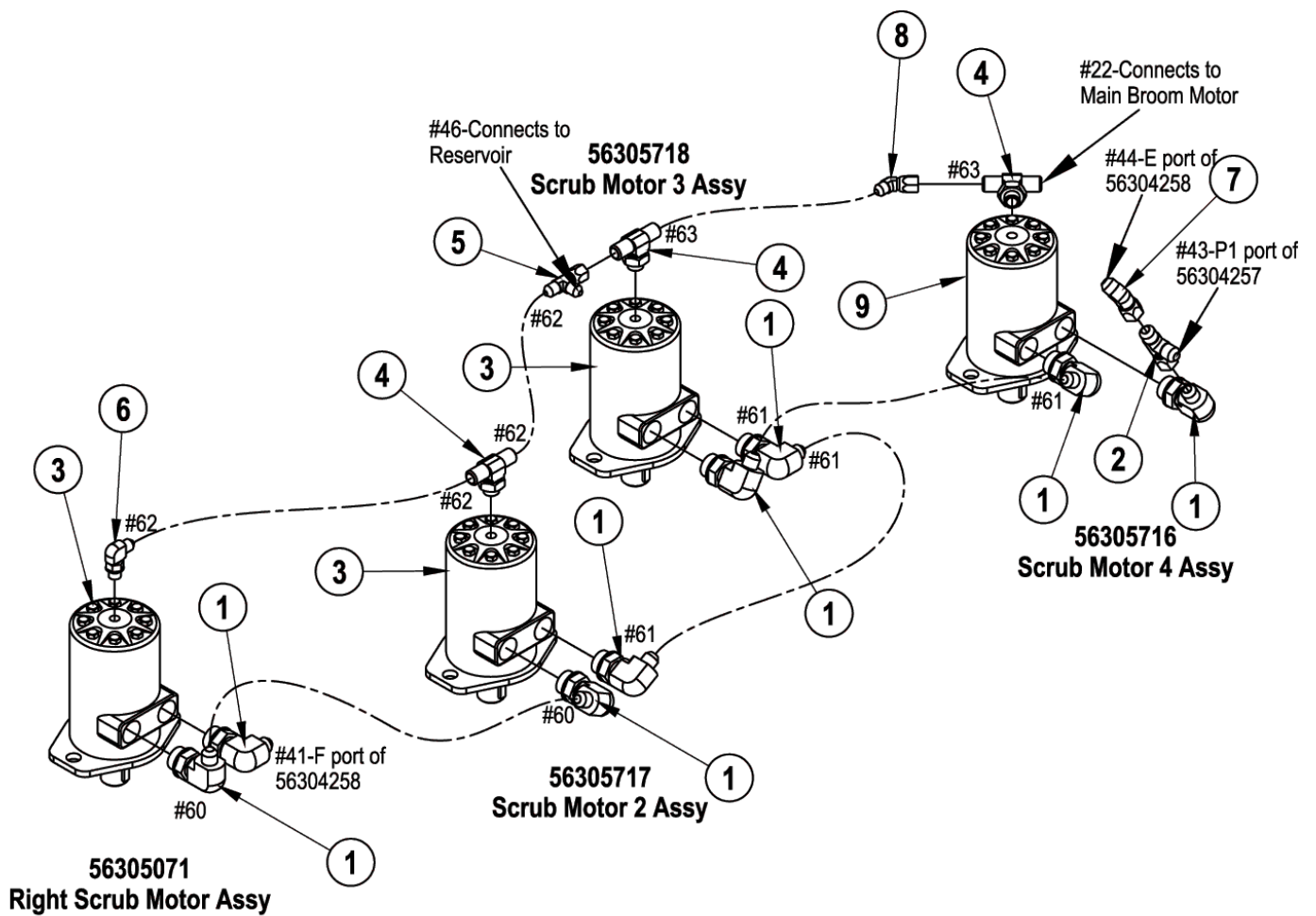
Hydraulic motor assemblies - Scrub - CR 1400 -

CR 1100/1200/1400

16-02-2015

ID Liste de pièces
E146137

220



Hydraulic motor assemblies - Scrub - CR 1400 -

CR 1100/1200/1400

16-02-2015

ID Liste de pièces
E146137

221

Pos	Réf. Pièce	Qté	Description
0	56305071	1	MOTEUR HYDRAULIQUE
0	56305357	1	KIT JOINT Scrub Motor Replacement Parts (All motors) - Not s
0	56305716	1	MOTEUR DE BROSSE
0	56305717	1	MOTEUR HYDRAULIQUE
0	56305718	1	MOTEUR HYDRAULIQUE 3 COMPLET
1	56900113	8	ELBOW 90 DEG.O/R
2	56900343	1	TEE E00009
3	56304811	3	MOTEUR HYDRAULIQUE 4 5
4	56900356	3	TEE BRANCH O RING EO0006
5	56900341	1	TE HYDRAULIQUE
6	56900101	1	COUDE 90DIA HYDRAULIQUE
7	56900323	1	ELBOW 90DEG W/NUT-6 E00008
8	56900321	1	COUDE 45DIA HYDRAULIQUE
9	56305897	1	MOTEUR HYDRAULIQUE 4,5M

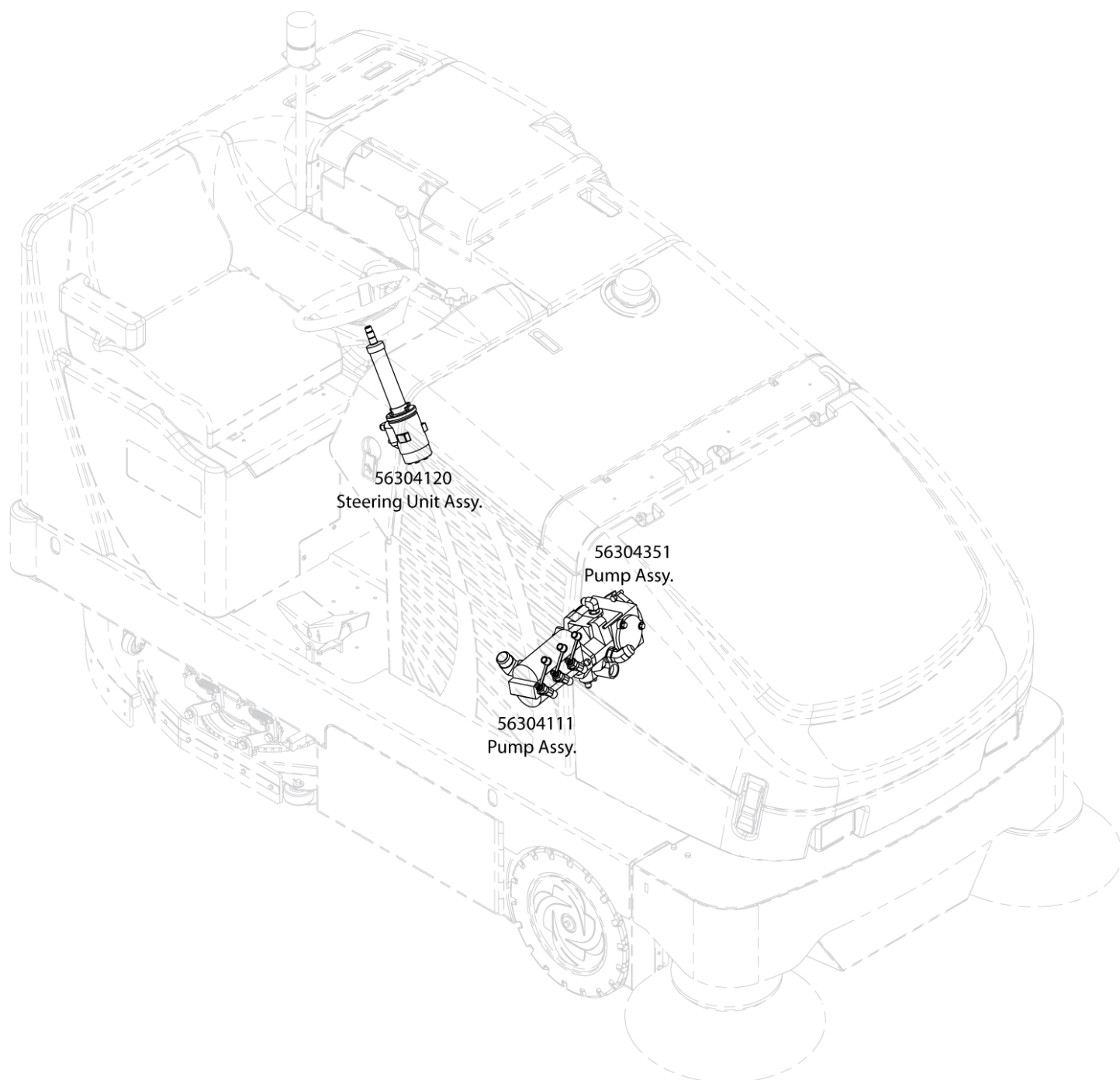
Hydraulic pump assemblies - Hydraulic System

CR 1100/1200/1400

16-02-2015

ID Liste de pièces
E146139

222



Hydraulic pump assemblies - Hydraulic System

CR 1100/1200/1400

16-02-2015

ID Liste de pièces
E146139

223

Pos	Réf. Pièce	Qté	Description
-----	------------	-----	-------------

0		1	USE LINK
---	--	---	----------

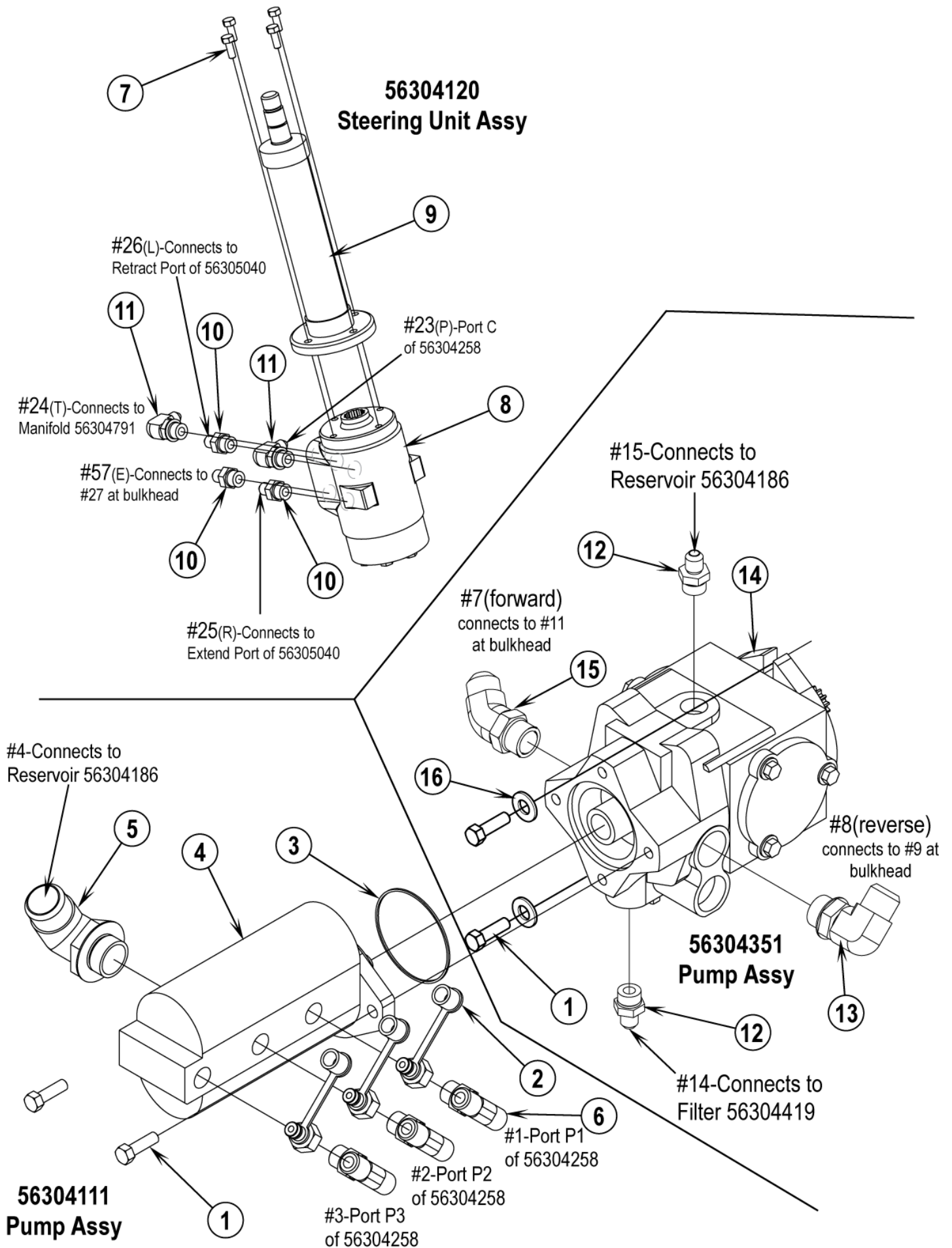
Hydraulic pump assemblies - Hydraulic System

CR 1100/1200/1400

16-02-2015

ID Liste de pièces
E146141

224



Hydraulic pump assemblies - Hydraulic System

CR 1100/1200/1400

16-02-2015

ID Liste de pièces
E146141

225

Pos	Réf. Pièce	Qté	Description	
0	56304111	1	POMPE HYDRAULIQUE CPLT	
0	56304120	1	DIRECTION ASSISTEE	
0	56304351	1	POMPE COMPLETE HYDRAUL	
0	56305360	1	KIT JOINTS	Hydrostatic Pump Assy Replacement Parts (56304351)
0	56418987	1	KIT JOINT POMPE HYDRAUL	Gear Pump Assy Replacement Parts (56304111) - not
0	56419521	1	JOINT POUR KIT 56111518	Steering Control Unit Replacement Parts (56304121)
1	56003029	4	VIS 6 PANS BLOCAGE3/8 16X	
2	56418866	3	COUPLING 8 TEST PORT	
3	56488002	1	JOINT TORIQUE	
4	56304113	1	PUMP TRIPLE GEAR	
5	56900352	1	FITTING 90 DEGREE E00003	
6	56900254	3	TEE BRANCH O/R -8 E00006	
7	56003174	4	VIS M6 1 0 X16MM	
8	56304121	1	STEERING CONTROL UNIT	
9	56304527	1	STEERING COLUMN	
10	56900011	3	MANCHON DE RACCORDEMENT	
11	56900110	2	ELBOW 90DEG O/R 4 6 E00003	
12	56900013	2	CONNECTOR O/R 6 8 E00001	
13	56900106	1	RACCORD HYDRAULIQUE 90DIA	
14	56304112	1	POMPE A PISTON	
15	56900156	1	ELBOW 45 DEG.O/R W/NUT E00004	
16	56009106	2	WSH FLT .453X1.000X.179	

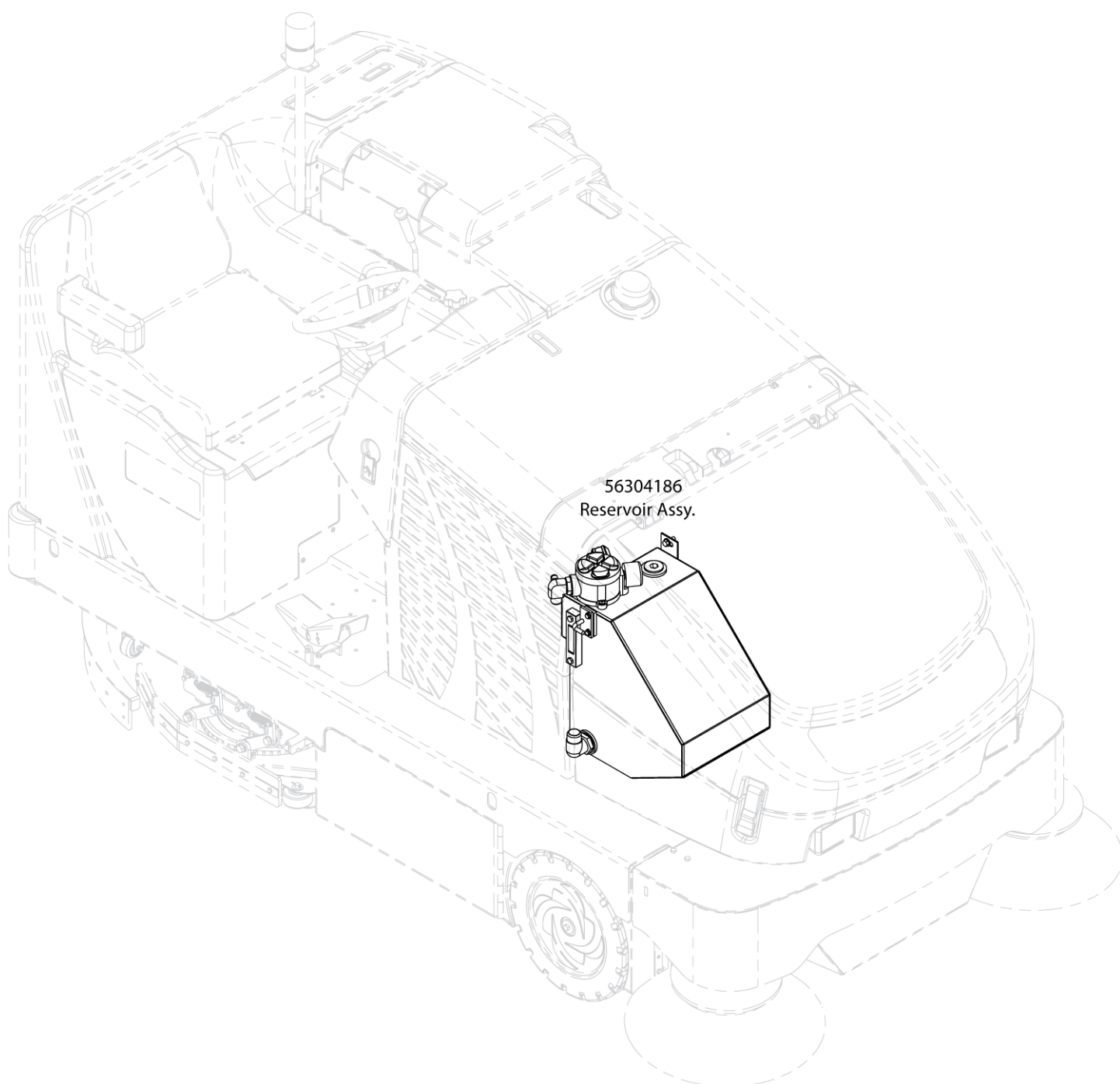
Hydraulic reservoir assembly - Hydraulic System

CR 1100/1200/1400

16-02-2015

ID Liste de pièces
E146143

226



Hydraulic reservoir assembly - Hydraulic System

CR 1100/1200/1400

16-02-2015

ID Liste de pièces
E146143

227

Pos	Réf. Pièce	Qté	Description
-----	------------	-----	-------------

0		1	USE LINK
---	--	---	----------

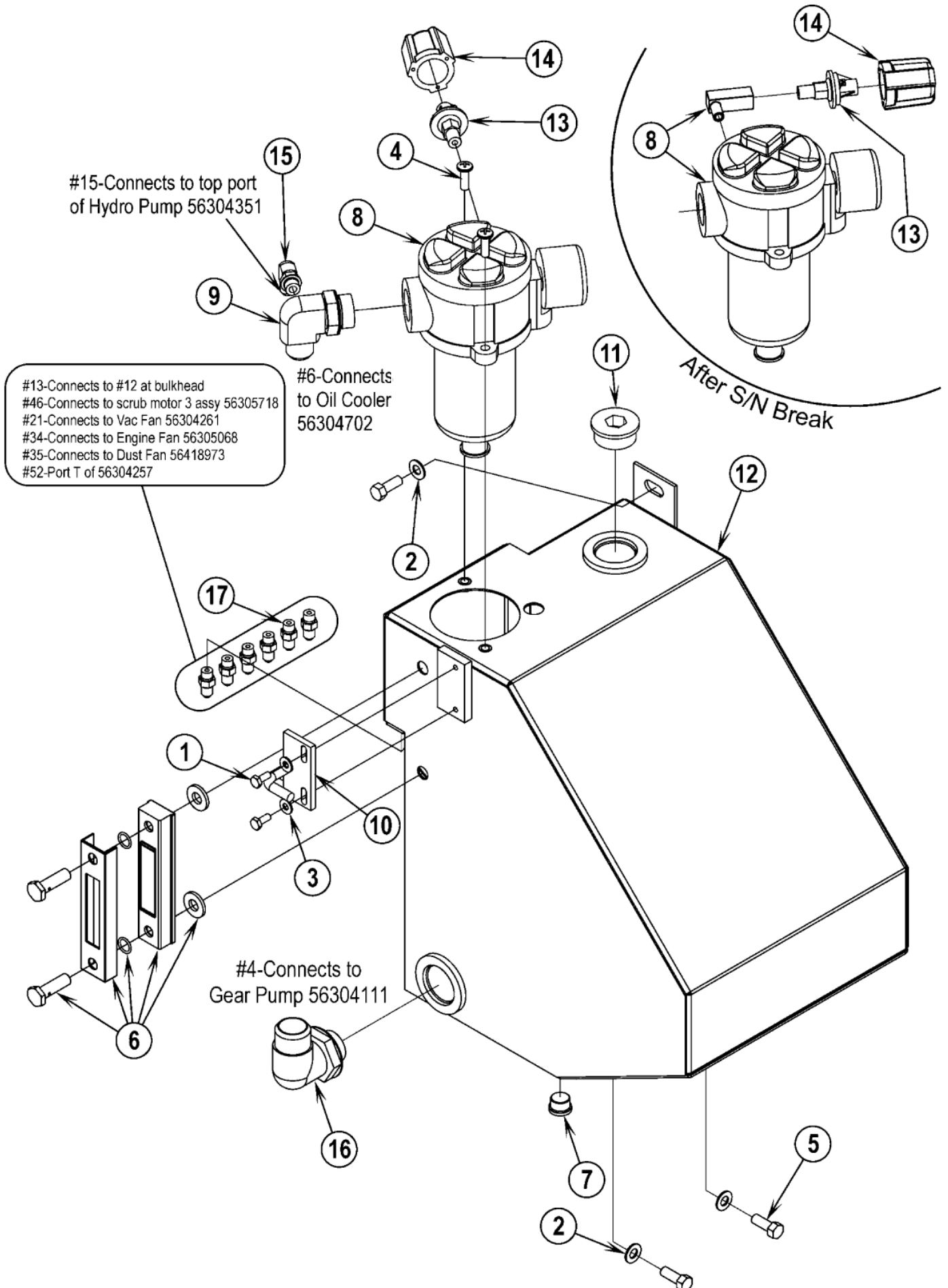
Hydraulic reservoir assembly - Hydraulic System

CR 1100/1200/1400

16-02-2015

ID Liste de pièces
E146145

228



Hydraulic reservoir assembly - Hydraulic System

CR 1100/1200/1400

16-02-2015

ID Liste de pièces
E146145

229

Pos	Réf. Pièce	Qté	Description
0	56304186	1	RESERVOIR ASSEMBLY
1	56001836	2	VIS 6 PANS 1/4 20X 62
2	56002063	3	RONDELLE PLATE 3/8SME
3	56002098	2	LAQUE DE SUPPORT 1/4
4	56002943	2	SCR PAN PHIL LOC 5/16-18 X 1
5	56002947	3	VIS 3/8 16X1
6	56459479	1	PIECE DE NIVEAU
7	56463403	1	PLUG HEX O RING E00594
8	56303654	1	FILTRE HYDRAULIQUE after SN 1948920 - NOTE 1
8	56305064	1	FILTRE
8	56305065	1	FILTRE A HUILE
8	56305995	1	KIT JOINT DE FILTRE A HUILE
9	56305066	1	ELBOW 90 O RING
10	56305095	1	FERMETURE
11	56305228	1	PLUG HEX SOC O RING E00594
12	56305468	1	RESERVOIR WELDMENT
13	56418994	1	VANNE DE PRESSION S6
14	56419241	1	BOUTON DE REGLAGE DE PRESSION
15	56900103	1	ELBOW 90 DEG O/R 6 E00003
16	56900352	1	FITTING 90 DEGREE E00003
17	56900001	6	CONNECTEUR AVEC JOINT

NOTE 1: Item 56304878 is obsolete, order 56303654 for replacement.

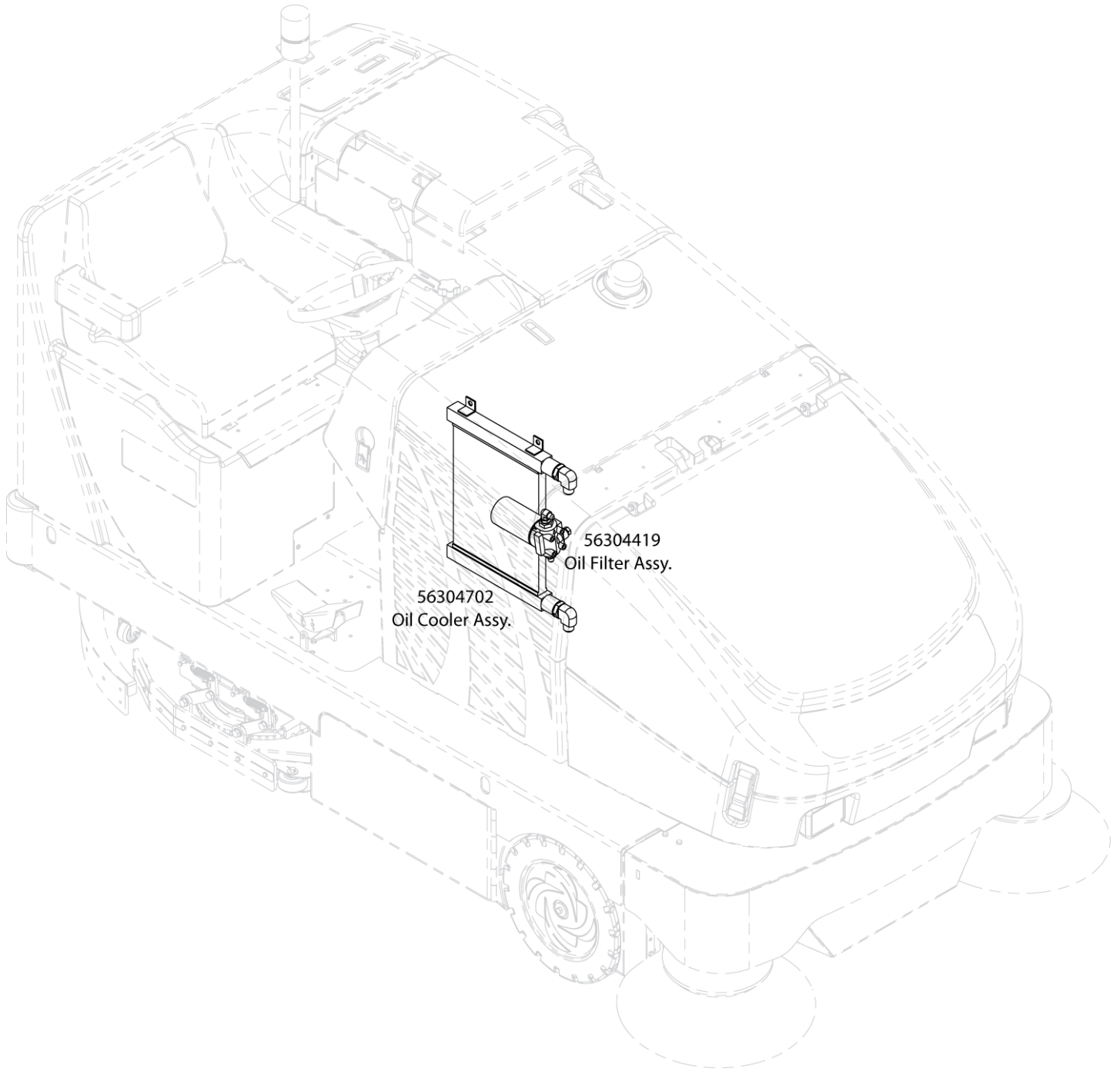
Oil cooler/filter assemblies - Hydraulic System

CR 1100/1200/1400

16-02-2015

ID Liste de pièces
E146147

230



Oil cooler/filter assemblies - Hydraulic System

CR 1100/1200/1400

16-02-2015

ID Liste de pièces
E146147

231

Pos	Réf. Pièce	Qté	Description
-----	------------	-----	-------------

0		1	USE LINK
---	--	---	----------

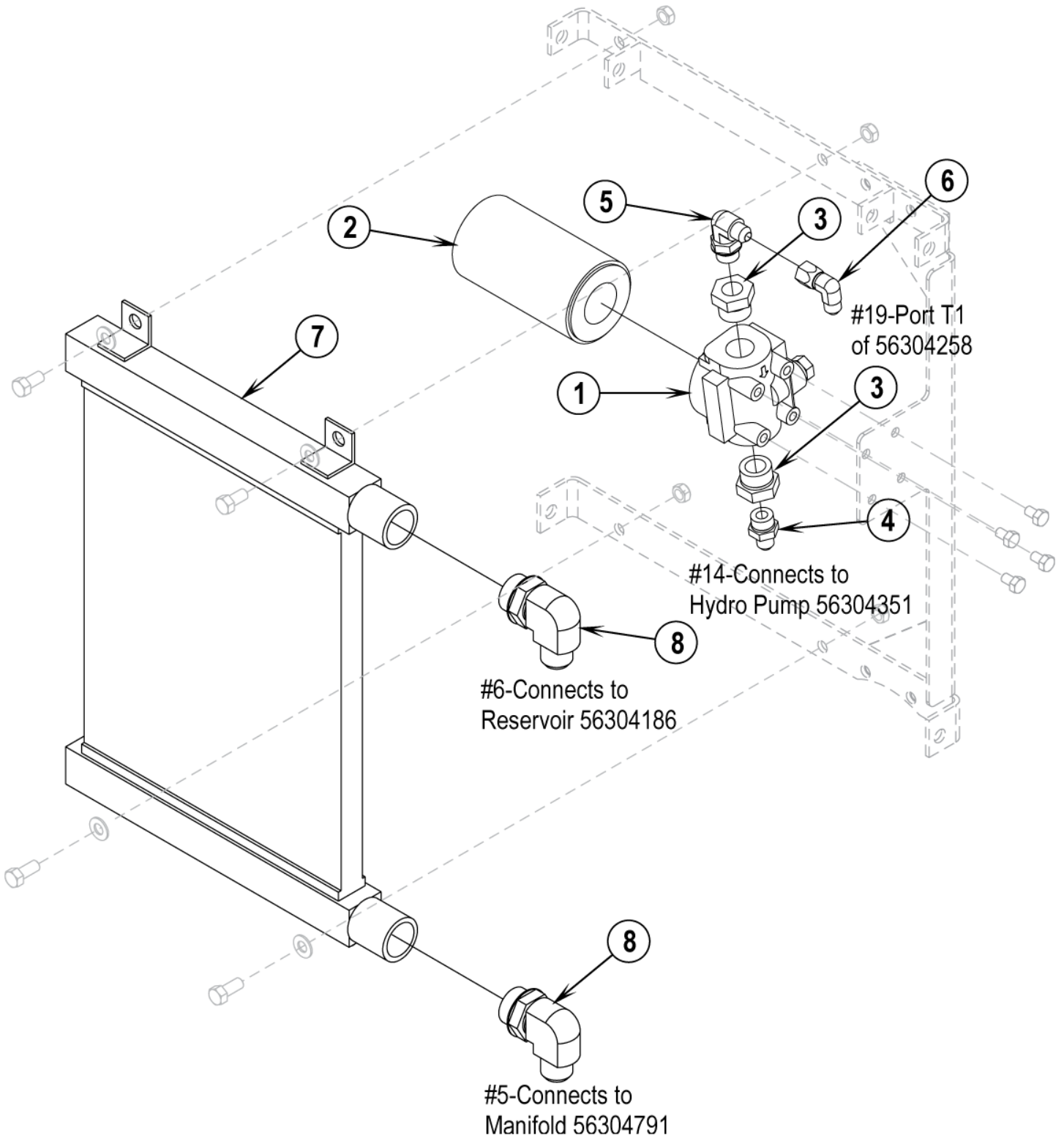
Oil cooler/filter assemblies - Hydraulic System

CR 1100/1200/1400

16-02-2015

ID Liste de pièces
E146149

232



Oil cooler/filter assemblies - Hydraulic System

CR 1100/1200/1400

16-02-2015

ID Liste de pièces
E146149

233

Pos	Réf. Pièce	Qté	Description	
0	56304419	1	FILTRE A HUILE CPLT	Pos 1-6
0	56304702	1	RADIATEUR HUILE HYDRAULIQUE	Pos 7-8
1	56419253	1	HEAD OIL FILTER	
2	56419254	1	FILTRE A HUILE	
3	56900604	2	REDUCER W/O -12-08 E00026	
4	56900013	1	CONNECTOR O/R 6 8 E00001	
5	56900112	1	ELBOW 90DEG.O/R 6 8 E00003	
6	56900303	1	ELBOW 90D W/NUT 6C6X S E00007	
7	56463678	1	REFROIDISSEUR D HUILE	
8	56900117	2	RACCORD HYDRAULIQUE 90 DI	

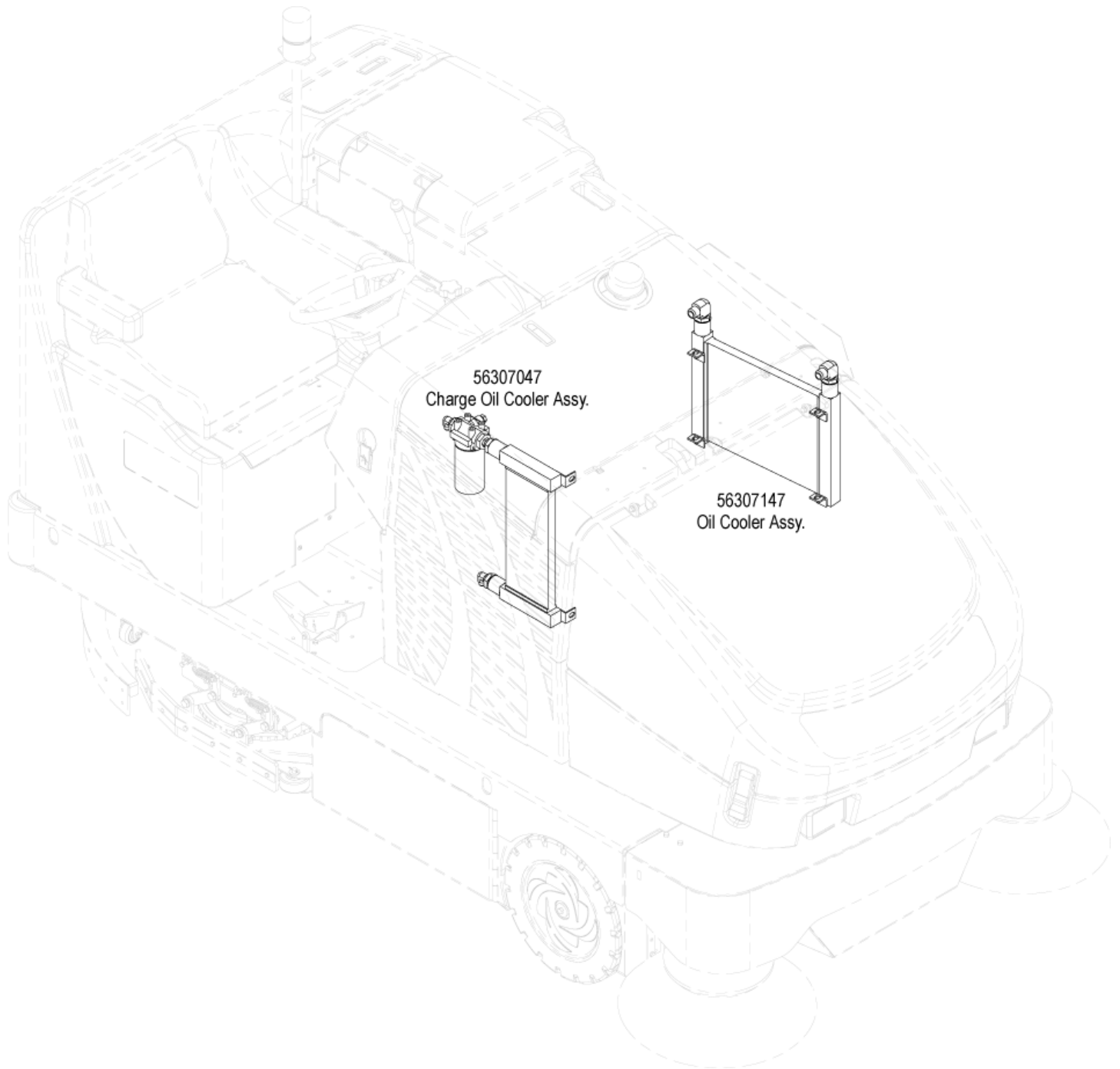
Valve block assemblies - Hydraulic System

CR 1100/1200/1400

16-02-2015

ID Liste de pièces
E146151

234



Valve block assemblies - Hydraulic System

CR 1100/1200/1400

16-02-2015

ID Liste de pièces
E146151

235

Pos	Réf. Pièce	Qté	Description
-----	------------	-----	-------------

0		1	USE LINK
---	--	---	----------

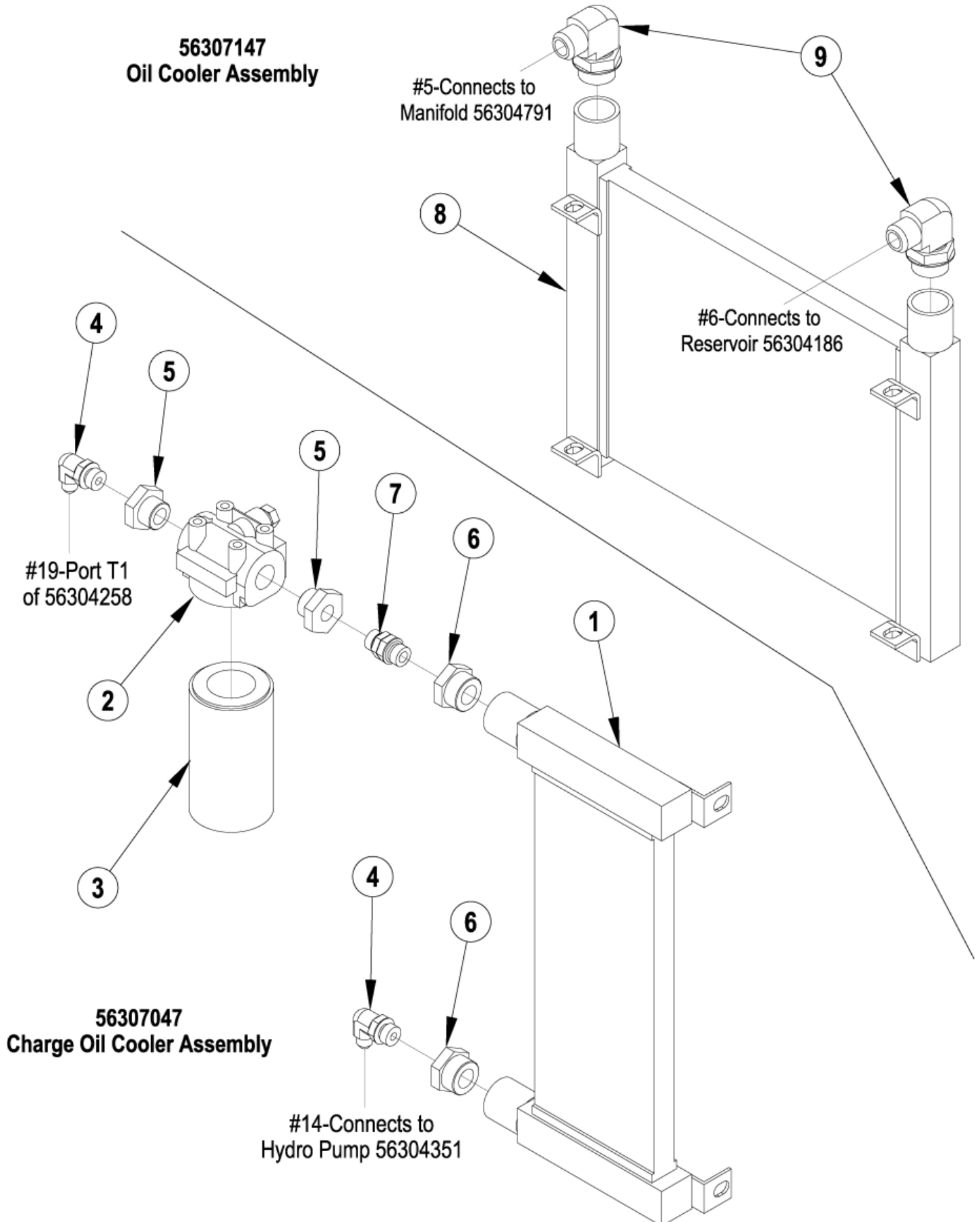
Oil cooler/filter assemblies - Hydraulic System

CR 1100/1200/1400

16-02-2015

ID Liste de pièces
E146153

236



Oil cooler/filter assemblies - Hydraulic System

CR 1100/1200/1400

16-02-2015

ID Liste de pièces
E146153

237

Pos	Réf. Pièce	Qté	Description
	56307047	1	CHARGE OIL COOLER ASSEMBLY (ITEMS 1-7 / HT MODELS ONLY)
	56307147	1	OIL COOLER ASSEMBLY (ITEMS 8-9 / HT MODELS ONLY)
1	56307048	1	CHARGE OIL COOLER
2	56419253	1	HEAD OIL FILTER
3	56419254	1	FILTRE A HUILE
4	56900112	2	ELBOW 90DEG.O/R 6 8 E00003
5	56900604	2	REDUCER W/O -12-08 E00026
6	56900606	2	REDUCER W/O RING E00026
7	56900924	1	UNION STRAIGHT THREAD
8	56418953	1	COOLER OIL
9	56900117	2	RACCORD HYDRAULIQUE 90 DI

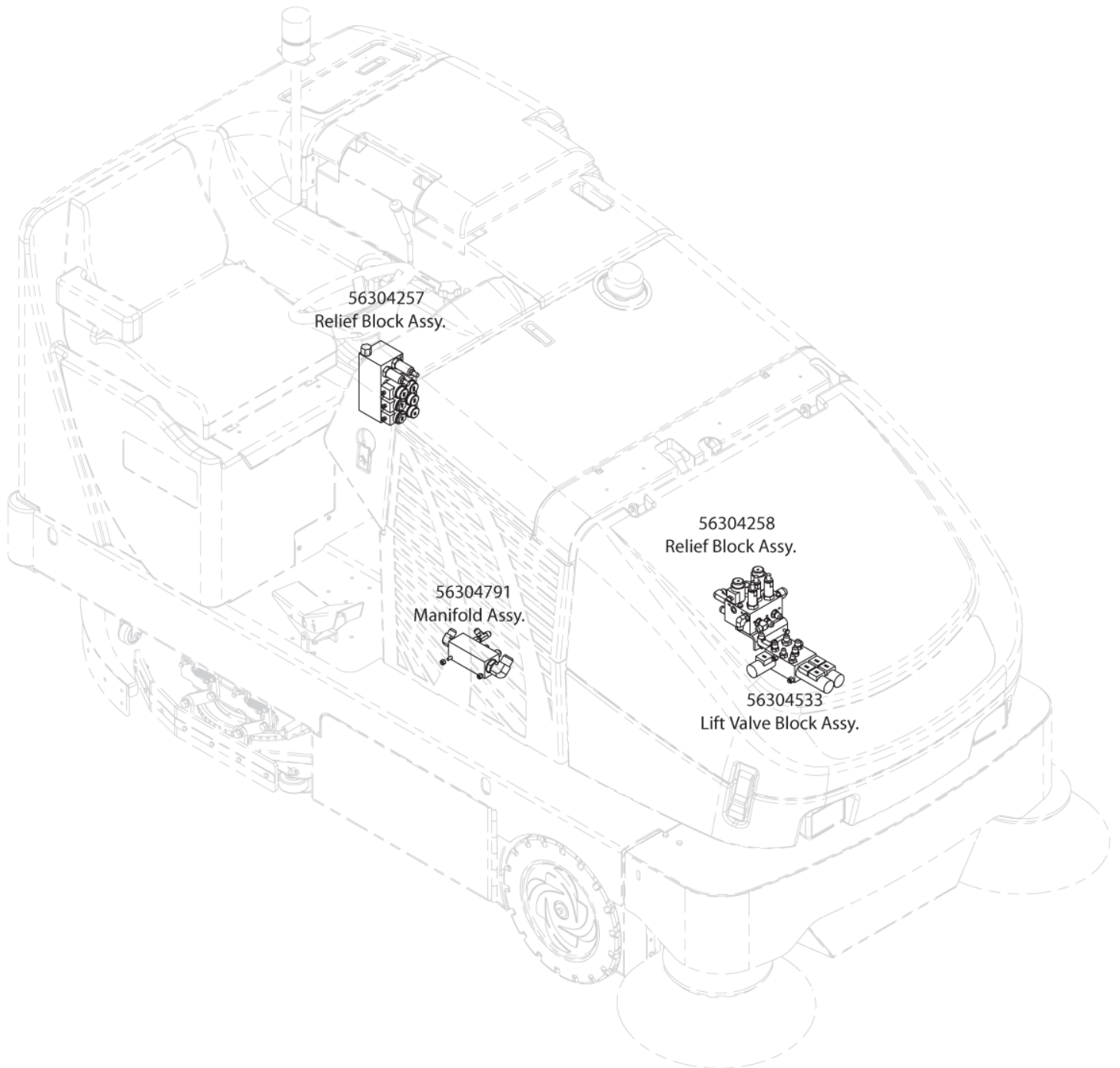
Valve block assemblies - Hydraulic System

16-02-2015

ID Liste de pièces
E146155

CR 1100/1200/1400

238



Valve block assemblies - Hydraulic System

CR 1100/1200/1400

16-02-2015

ID Liste de pièces
E146155

239

Pos	Réf. Pièce	Qté	Description
-----	------------	-----	-------------

0		1	USE LINK
---	--	---	----------

Valve block assemblies - Hydraulic System

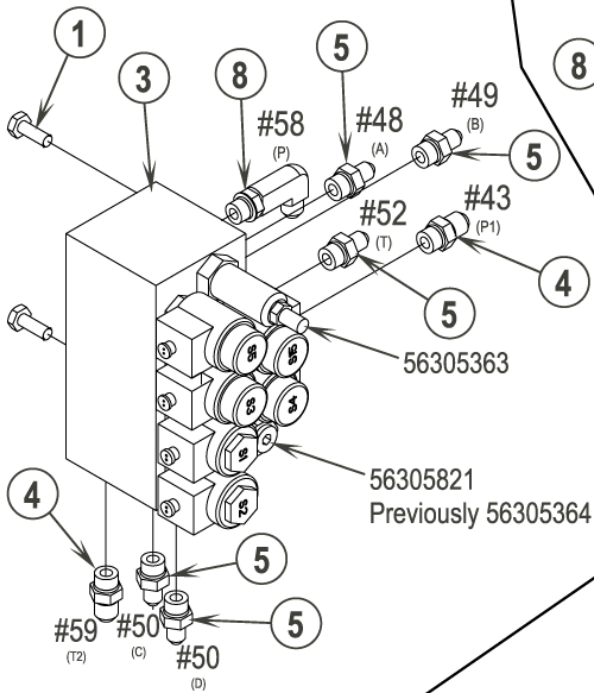
CR 1100/1200/1400

16-02-2015

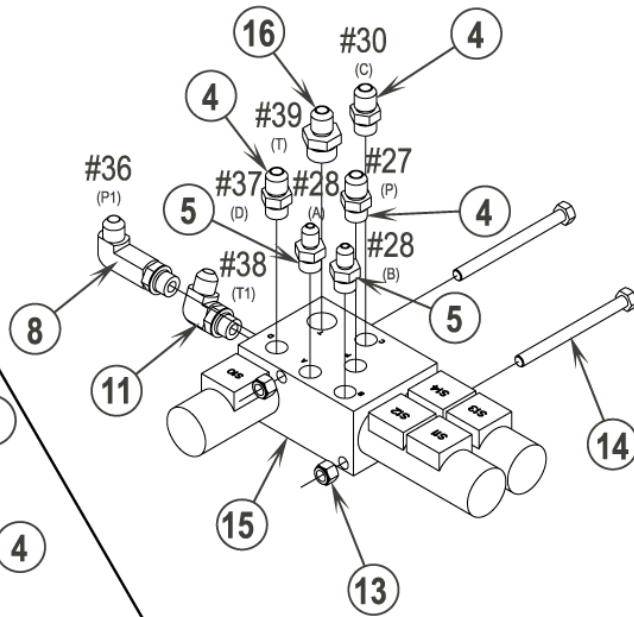
ID Liste de pièces
E146157

240

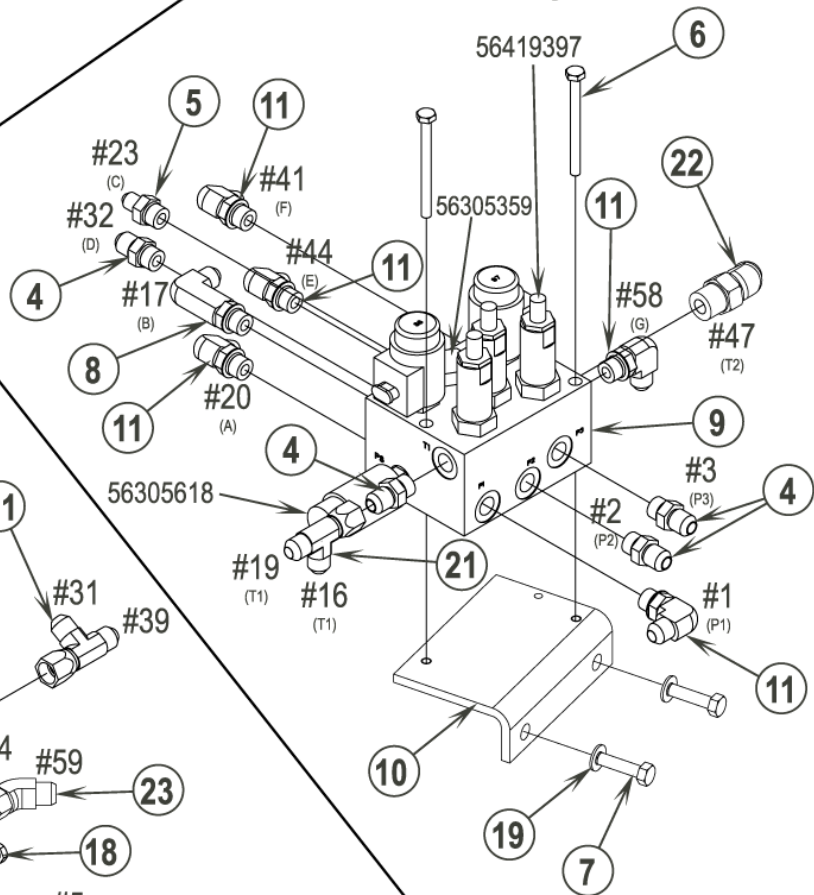
56304257 Relief Block Assy



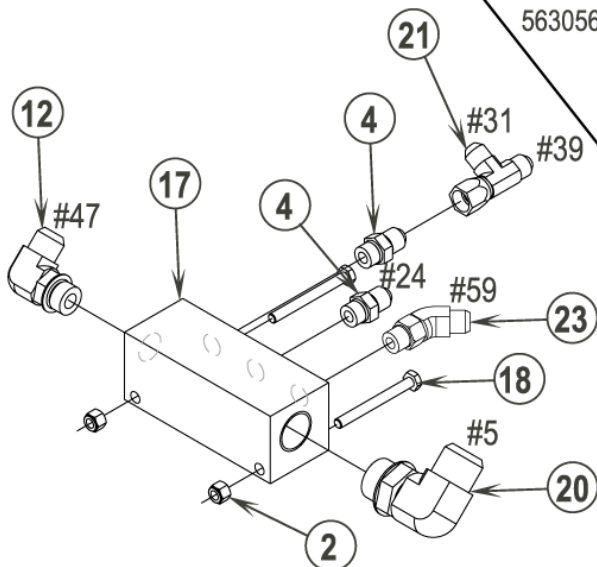
56304533 Lift Valve Block Assy



56304258 Relief Block Assy



56304791 Manifold Assy



Valve block assemblies - Hydraulic System

CR 1100/1200/1400

16-02-2015

ID Liste de pièces
E146157

241

Pos	Réf. Pièce	Qté	Description
	56304257	1	BLOC CPLT DECHARGE HYDRAU
	56304258	1	ELECTROVANNE
	56304533	1	DISTRIBUTEUR HYDRAULIQUE
	56304791	1	MANIFOLD ASSEMBLY
1	56002037	2	VIS HEX 5/16 18X.88
2	56002708	2	LIQUET D ARRÊT 1/4 20
3	56305496	1	DISTRIBUTEUR HYDRAULIQUE
4	56900003	11	CONNECTEUR AVEC JOINT
5	56900011	8	MANCHON DE RACCORDEMENT
6	56002603	2	VIS
7	56003321	2	ECROU 5/16 18 X 1 25
8	56900523	3	ELBOW 90 LG O-RING -6 E00017
9	56305427	1	BLOC HYDRAULIQUE
10	56306039	1	RELIEF BLOCK BRACKET
11	56900103	6	ELBOW 90 DEG O/R 6 E00003
12	56900104	1	RACCORD HYDRO 90 DIA
13	56002701	2	VIS 5/16 18 X 62
14	56003325	2	SCR HEX HD 5/16 18 X 3.75
15	56304532	1	VALVE BLOCK LIFT
16	56900013	1	CONNECTOR O/R 6 8 E00001
17	56418998	1	MANIFOLD HYDRAULIC
18	56001855	2	SCR HEX 1/4 20 X 2.50
19	56001939	2	RONDELLE PLATE SAE 5/16
20	56900106	1	RACCORD HYDRAULIQUE 90DIA
21	56900343	2	TEE E00009
22	56900104	1	RACCORD HYDRO 90 DIA
23	56900153	1	ELBOW 45 DEG.O/R -6 E00004
30	56304154	1	BOBINE
31	56305363	1	REDUCER CARTRIDGE 150 PSI
32	56305349	1	KIT JOINT
33	56305821	1	DEGAGEMENT DE CARTOUCHE
40	56305822	1	SEAL KIT
			For Relief Cartridge 56305821, WILL NOT work in ol
41	56305366	1	CARTOUCHE
42	56305367	1	CARTOUCHE
43	56305368	1	TIROIR HYDRAULIQUE
44	56305369	1	CARTOUCHE
45	56305351	1	CARTOUCHE
46	56305821	1	DEGAGEMENT DE CARTOUCHE
47	56305349	1	KIT JOINT
48	56305355	1	KIT JOINT
49	56305365	1	PORT CHECK CARTRIDGE
50	56305349	1	KIT JOINT

Pos. 30-33 - Relief Block Assy Replacement Parts (56304257)

Pos. 40-52 - This cartridge replaces previous cartridge 56305364. It is a direct replacement

Pos. 60-64 - Lift Valve Block Assy Replacement Parts (56304533)

Valve block assemblies - Hydraulic System

CR 1100/1200/1400

16-02-2015

ID Liste de pièces
E146157

242

Pos	Réf. Pièce	Qté	Description
51	56305370	1	TIROIR HYDRAULIQUE
52	56305821	1	DEGAGEMENT DE CARTOUCHE
60	56304154	1	BOBINE
61	56305350	2	VANNE DOUBLE EFFET POUR BLOC REF 5630453
62	56305351	1	CARTOUCHE
63	56305348	2	KIT JOINT POUR VANNE DOUBLE EFFET
64	56305349	1	KIT JOINT
70	56305821	1	DEGAGEMENT DE CARTOUCHE
71	56305349	1	KIT JOINT
72	56305353	1	KIT JOINT REPARTITEUR
73	56419397	1	VANNE DE PRE-CHARGE 2500 PSI
74	56305531	1	CARTOUCHE
75	56305359	1	DIVIDER CARTRIDGE
76	56304154	1	BOBINE
77	56305618	1	CONTACT PRESSION

S4

Pos. 30-33 - Relief Block Assy Replacement Parts (56304257)

Pos. 40-52 - This cartridge replaces previous cartridge 56305364. It is a direct replacement

Pos. 60-64 - Lift Valve Block Assy Replacement Parts (56304533)

List of Kits - Accessories

CR 1100/1200/1400

16-02-2015

ID Liste de pièces
E14911

243

Part Number	Kit Name	For use on: Engine and Battery CR 1100, 1200 & 1400	For use on: Haram Captor	For use on: Engine CR 1100, 1200 & 1400 only	For use on: Battery CR 1100B & 1200B only	Page
56305482	Beacon Kit*	X				5
56305881	Beacon Kit (60 Gallon)*	X				7
56305652	Both Side Broom Guard Kit	X				9
56305494	Broom Guard Kit, Left	X				9
56305495	Broom Guard Kit, Right	X				9
56303572	Cleanout Kit (recovery tank)	X	X			13
56305641	Curb Light Kit	X	X			15
56304025	High Durability Drive Tire	X				21
#56380444	High Durability Drive Tire, Urethane	X				21
56305517	Hopper Filter Switch Kit (Plugged)	X	X			23
56305637	Low Clearance Overhead Guard Kit	X				25
56303573	Overhead Guard Kit	X	*			25
56303579	OH Guard Beacon kit	X	*			25
56305794	Pre-Filter Grid Kit	X	X			27
56307221	Recovery Inlet Seal Kit	X	X			29
56109306	Seat Belt Kit	X	X			31
56305585	Solution Fill Shutoff Kit (obsolete)	X				33
56305896	Solution Fill Shutoff Kit	X	X			35
56305820	Solution Fill Shutoff Kit (60 Gallon)**	X				35
56305509	Temp Switch Kit	X	X			23
56305493	Tower Bumper Kit	X				37
56305530	Vacuum Wand Kit	X	X			41
56305519	Back-Up Alarm Kit*			X		3
56305643	Camera Kit		X	X		11
56305647	Controller Interface Kit		X	X		Not Shown
56305621	Fire Extinguisher Kit		X	X		17
56304044	High Durability Rear Wheel Assy			X		21
#56306207	High Durability Rear Wheel Assy			X		21
56305997	Rear Wheel Assy, 3x Groove 6			X		21
56305611	Deluxe Seat Kit			X		30
56303381	Deluxe Seat Kit w/Switch				X	30
56305628	Under-Hood Light Kit		X	X		39
56303355	Back-Up Alarm*				X	3
56303431	Fire Extinguisher Kit				X	19
56303028	High Durability Rear Wheel Assy				X	21
#56303595	High Durability Rear Wheel Assy				X	21
56303560	Rear Wheel Assy, 3x Groove 6				X	21
56303362	Trouble Lamp Kit				X	39
56306138	Chemical Injection Kit - 12VDC			X		43, 45
56306145	Chemical Injection Kit - 36VDC				X	47, 49

List of Kits - Accessories

CR 1100/1200/1400

16-02-2015

ID Liste de pièces
E14911

244

Pos	Réf. Pièce	Qté	Description	
1	56305482	1	GYROPHARE	
2	56305881	1	KIT GYROPHARE + SUPPORT	
3	56305652	1	PROTECTION D/G BROSSE LAT	
4	56305494	1	PROTECTION LAT GAUCHE	
5	56305495	1	PROTECTION D BROSSE LAT	
6	56303572	1	KIT DE VIDANGE CR 1200/14	
7	56305641	1	KIT LAMPE	
8	56304025	1	BANDAGE 16 1/4 X 6	
9	56380444	1	BANDAGE DE ROUE POLYURETHANE 16 1/4 X 6	
10	56305517	1	KIT SWICHT DE TREMIE	
11	56305637	1	PROTEGE TETE	
12	56303573	1	OVERHEAD GUARD KIT	
13	56303579	1	OH GUARD BEACON KIT	
14	56305794	1	PRE-FILTER GRID KIT	
15	56307221	1	KIT JOINT+MOUSSE	
16	56109306	1	CEINTURE DE SECURITE	
17	56305896	1	KIT ARRET AUTO REMPLIS. RESERVOIR SOLUTI	
18	56305896	1	KIT ARRET AUTO REMPLIS. RESERVOIR SOLUTI	
19	56305820	1	SOLUTION FILL SHUTOFF KIT 60	
20	56305509	1	KIT SWICTH DE TEMPERATURE	
21	56305493	1	KIT AMORTISSEUR	
22	56305530	1	KIT ASPIRATION A DISTANCE	
23	56305519	1	AVERTISSEUR SONORE REcul	
24	56305643	1	KIT CAMERA ARRIERE	
25	56305647	1	CONTROLEUR DIAGNOSTIQUE	Not shown
26	56305621	1	KIT EXTINCTEUR	
27	56304044	1	ROUE ARRIERE CPLT	
28	56306207	1	ROUE CPLTE URETHANE VERSION THERMIQUE	
29	56305997	1	WHEEL ASSY 6 3X-GROOVE IC MDL	
30	56305611	1	SIEGE DE LUXE	
31	56303381	1	DELUXE SEAT KIT BATTERY	
32	56305628	1	KIT LAMPE	
33	56305519	1	AVERTISSEUR SONORE REcul	Replaces 56303355
34	56303431	1	FIRE EXTINGUISHER KIT	
35	56303028	1	ROUE DIRECTIONNELLE ARRIERE	
36	56303595	1	ROUE CPLTE URETHANE VERSION BATTERIE	
37	56303560	1	ROUE 6 RAINUREE VERSION BATTERIE	
38	56303362	1	TROUBLE LAMP KIT	
39	56306138	1	KIT EDS	
40	56306145	1	KIT EDS CR 1200 BATTERIE	

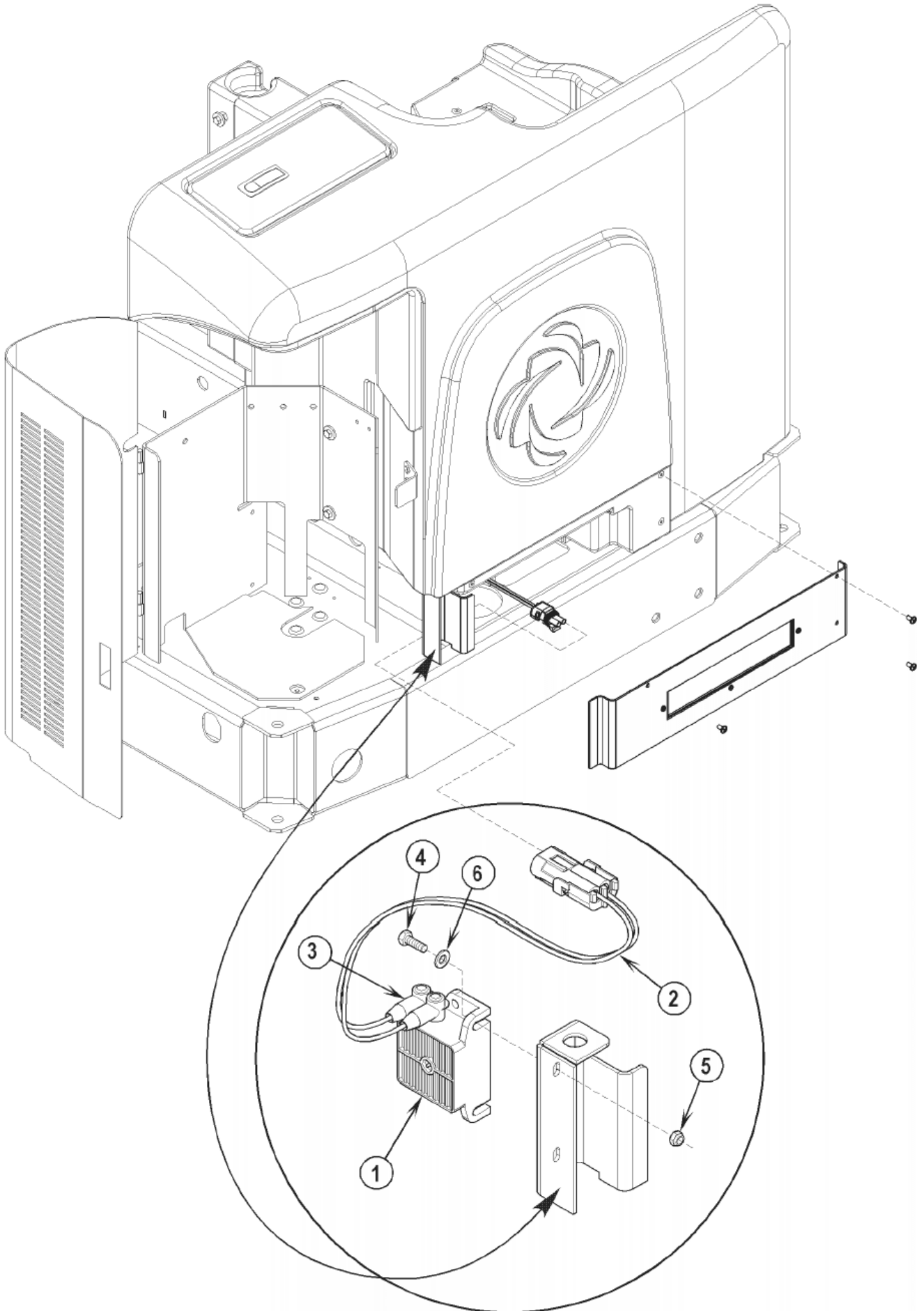
Back-up alarm kit - Accessories

16-02-2015

ID Liste de pièces
E14913

CR 1100/1200/1400

245



Back-up alarm kit - Accessories

CR 1100/1200/1400

16-02-2015

ID Liste de pièces
E14913

246

Pos	Réf. Pièce	Qté	Description
0	56305519	1	AVERTISSEUR SONORE REcul
1	56409232	1	CENTRALE ALARM
2	56409495	1	WIRE ASSY PIGTAEI
3	56409538	2	BORNE IISOLANT
4	56002155	2	VIS 1/4 20X75
5	56002708	2	LIQUET D ARRÊT 1/4 20
6	56002098	2	LAQUE DE SUPPORT 1/4

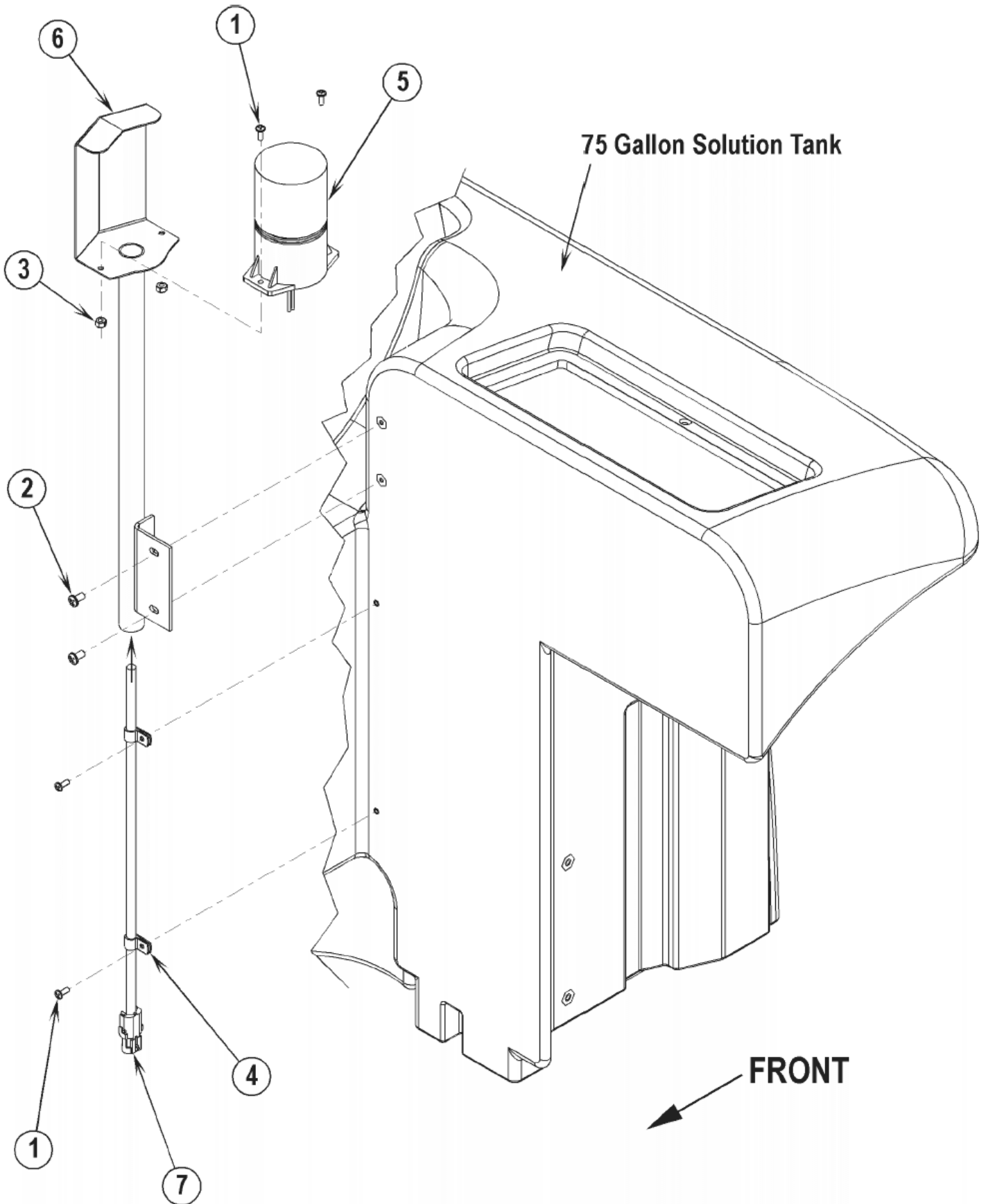
Beacon Kit - Accessories

CR 1100/1200/1400

16-02-2015

ID Liste de pièces
E14915

247



Beacon Kit - Accessories

CR 1100/1200/1400

16-02-2015

ID Liste de pièces
E14915

248

Pos	Réf. Pièce	Qté	Description
0	56305482	1	GYROPHARE Standard on CR 1200 an 1400 models
1	56001993	4	VIS TETE PL PHIL 10 24X 5
2	56002145	2	VIS 1/4 20 X 0 38
3	56002832	2	ECROU
4	56172017	2	SUPPORT CLIP
5	56305223	1	GYROPHARE SANS SUPPORT
6	56305481	1	SUPPORT GYROPHARE
7	56305513	1	HARNESS BEACON

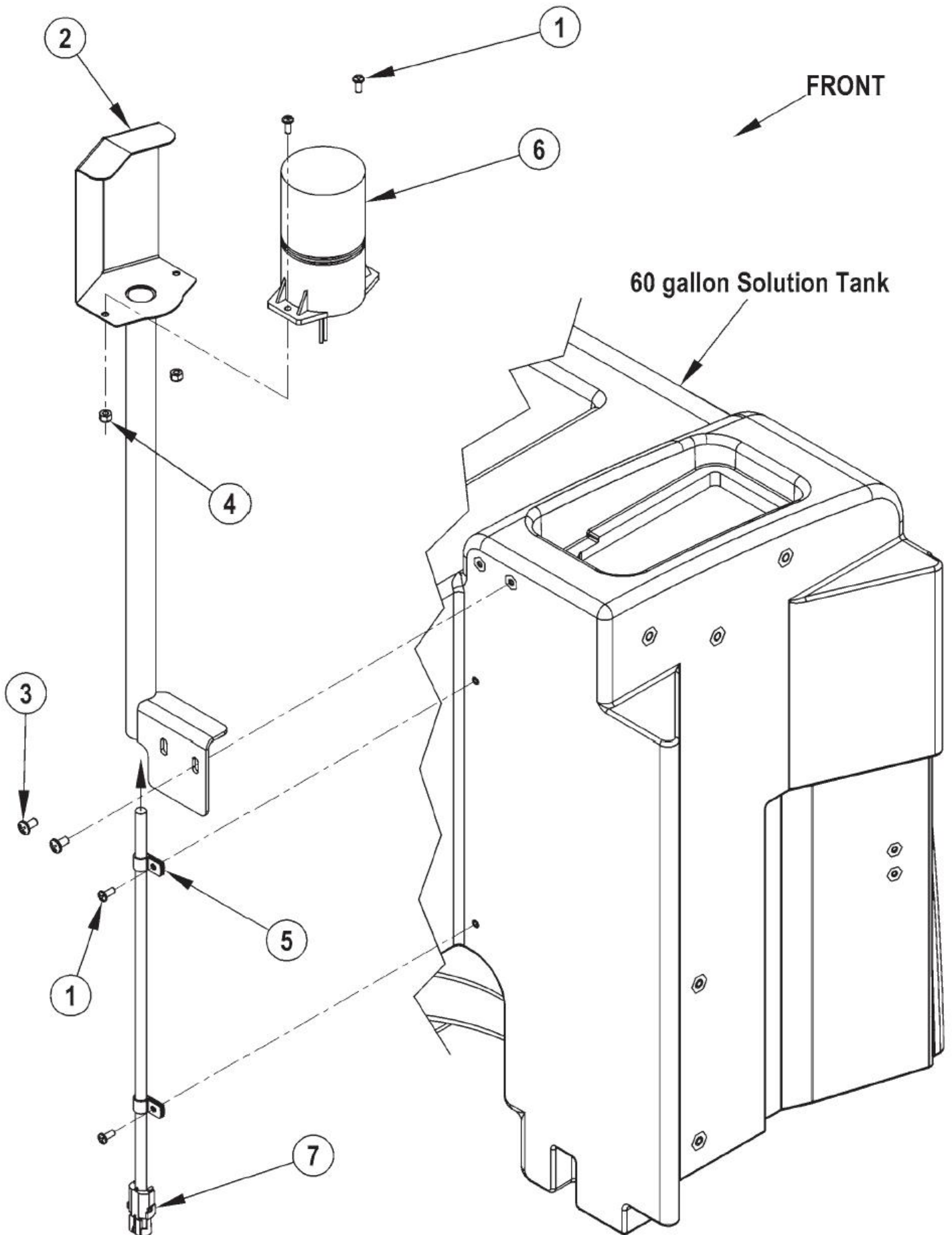
Beacon Kit (60 Gallon) - Accessories

16-02-2015

ID Liste de pièces
E14917

249

CR 1100/1200/1400



Beacon Kit (60 Gallon) - Accessories

CR 1100/1200/1400

16-02-2015

ID Liste de pièces
E14917

250

Pos	Réf. Pièce	Qté	Description
0	56305881	1	KIT GYROPHARE + SUPPORT Standard on CR 1100 models
1	56001993	4	VIS TETE PL PHIL 10 24X 5
2	56305883	1	BEACON MOUNT WELDMENT 60
3	56002145	2	VIS 1/4 20 X 0 38
4	56002832	2	ECROU
5	56172017	2	SUPPORT CLIP
6	56305223	1	GYROPHARE SANS SUPPORT
7	56305513	1	HARNESS BEACON

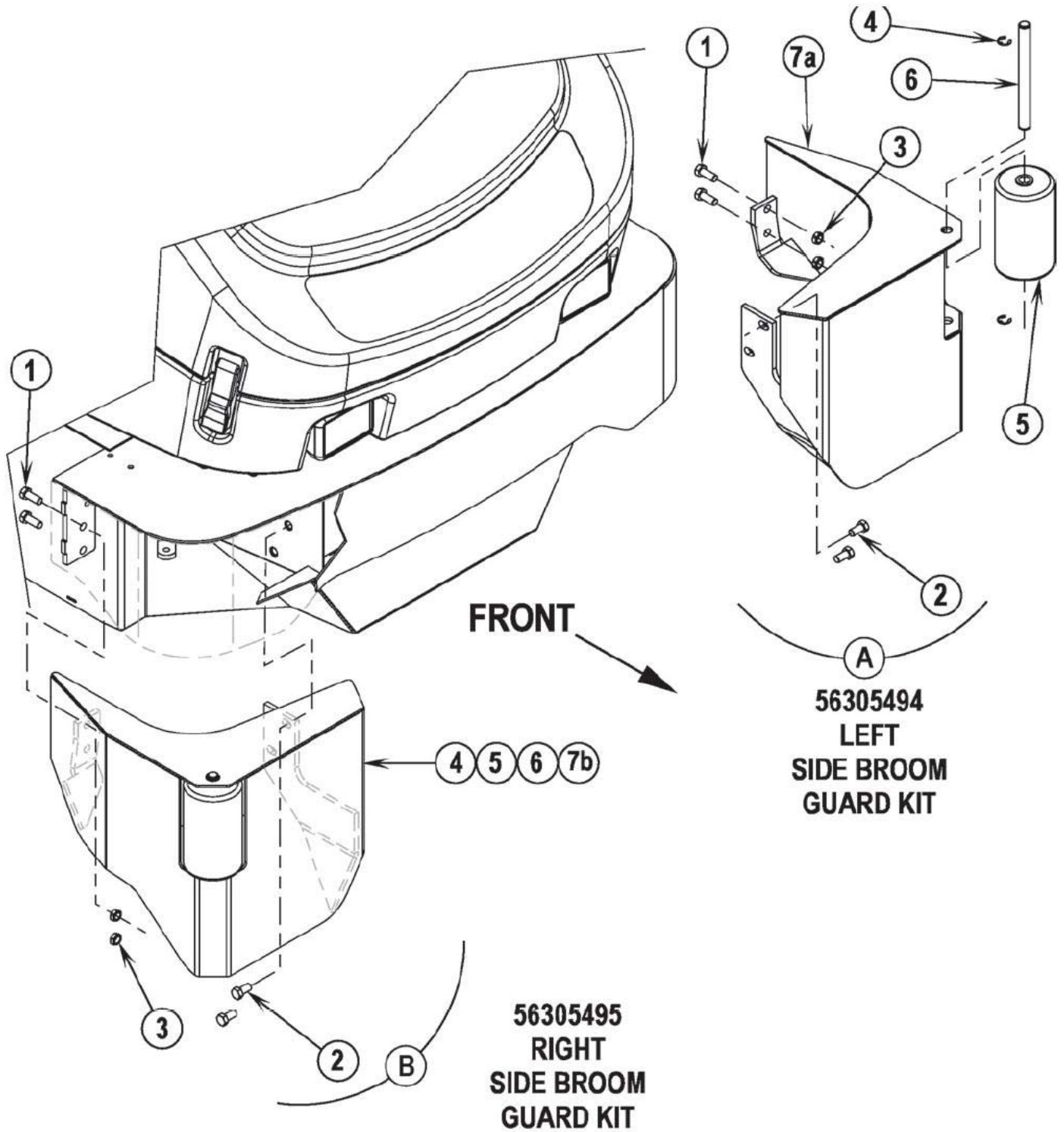
Broom Guard kit - Accessories

CR 1100/1200/1400

16-02-2015

ID Liste de pièces
E14919

251



Broom Guard kit - Accessories

CR 1100/1200/1400

16-02-2015

ID Liste de pièces
E14919

252

Pos	Réf. Pièce	Qté	Description
0	56305652	1	PROTECTION D/G BROSSE LAT Items A and B
1	56001831	2	VIS 1/2 13X1.25
2	56001895	2	VIS 6 PANS 1/2 13X1 00
3	56002843	2	ECROU 1/2 13
4	56003266	2	ANNEAU RET EXT TYPE E
5	56409335	1	PARE CHOCS TENDEUR
6	56409336	1	AXE
A	56305494	1	PROTECTION LAT GAUCHE
B	56305495	1	PROTECTION D BROSSE LAT
7A	56305322	1	LEFT GUARD WELDMENT
7B	56305321	1	RIGHT GUARD WELDMENT

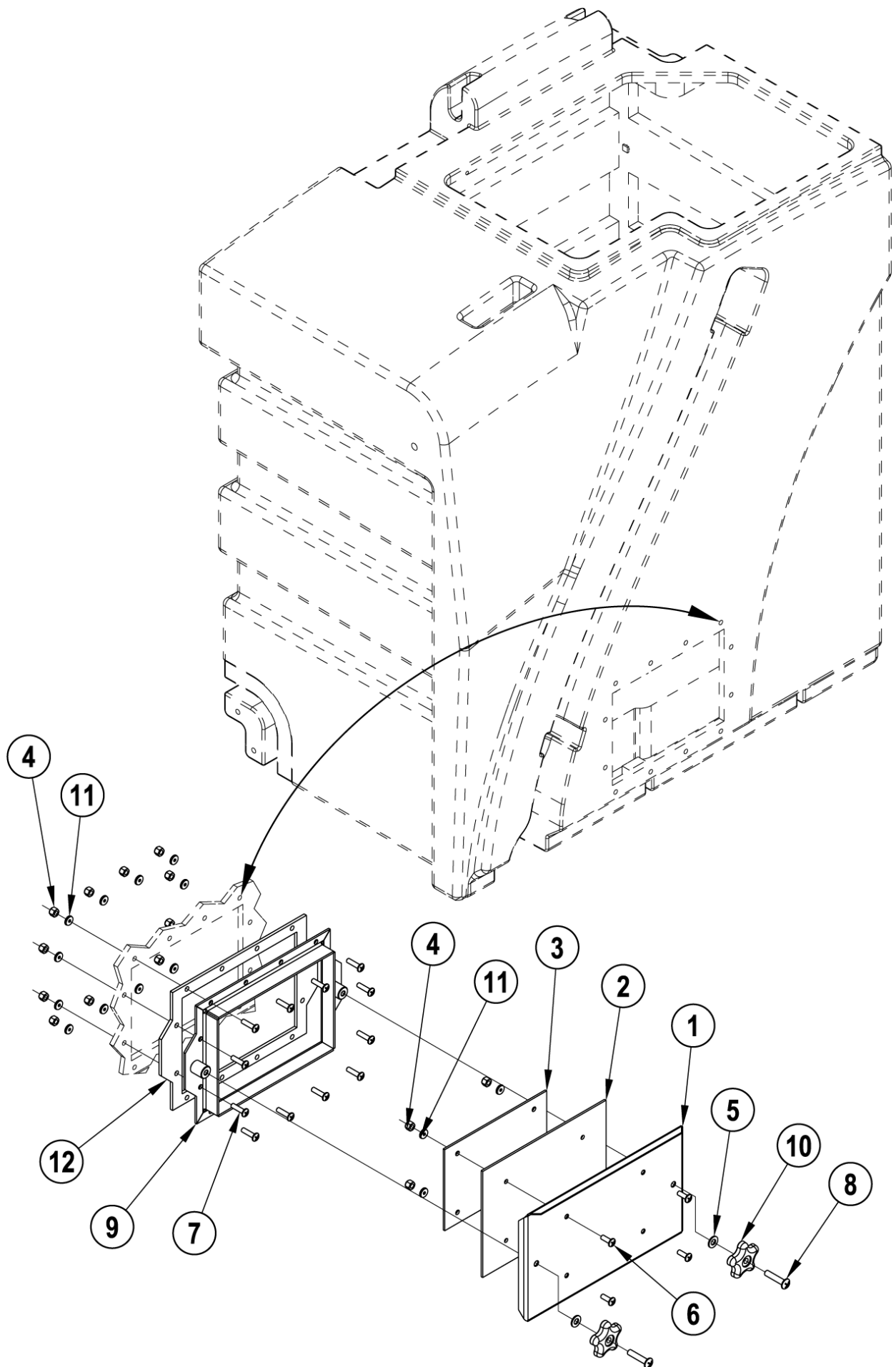
Cleanout Kit - Accessories

CR 1100/1200/1400

16-02-2015

ID Liste de pièces
149113

253



Cleanout Kit - Accessories

CR 1100/1200/1400

16-02-2015

ID Liste de pièces
149113

254

Pos	Réf. Pièce	Qté	Description
0	56303572	1	KIT DE VIDANGE CR 1200/14
1	56459302	1	COVER
2	56459303	1	JOINT PORTE
3	56459312	1	PLAQUE
4	56002491	16	ECROU 1/4 20
5	56002938	2	RONDELLE PLATE INOX 5/16EME
6	56002957	4	VIS 1/4 20 X 0 7
7	56003067	12	VIS 1/4 20 1.00 SS
8	56003208	2	SCR PAN PHIL SS 5/16-18 X 1.50
9	56303568	1	FRAME WELDMENT
10	56396254	2	BOUTON
11	56900737	16	RONDELLE ETANCHEITE B935
12	56303578	1	GASKET BASE

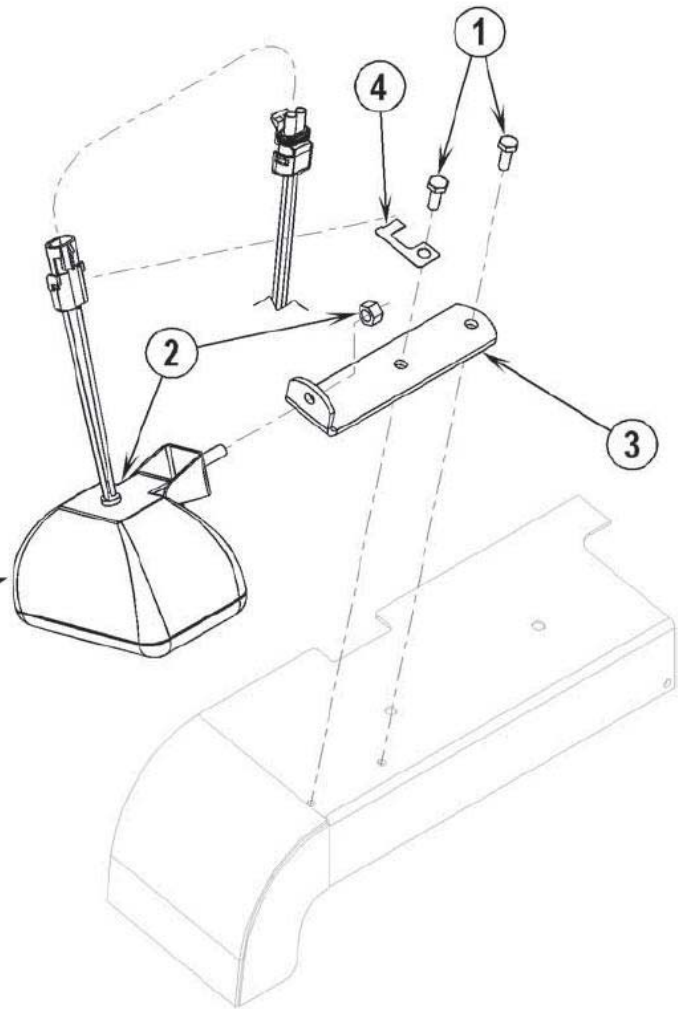
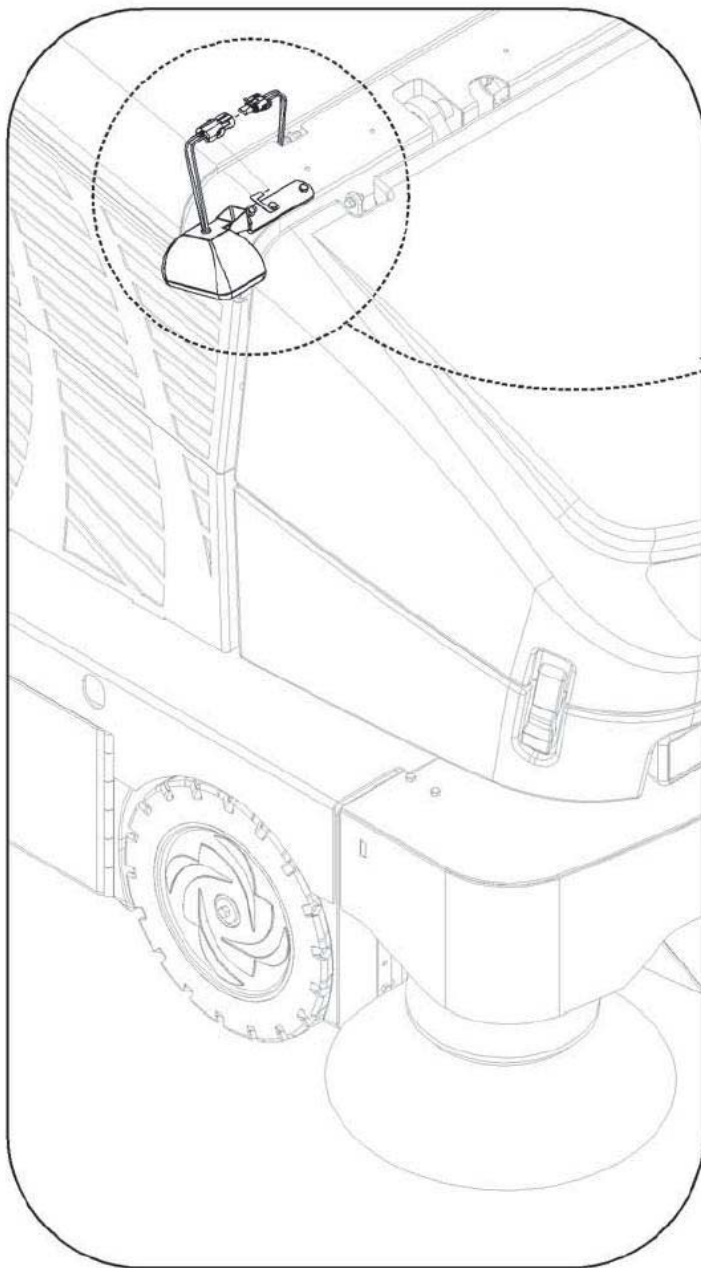
Curb Light Kit - Accessories

CR 1100/1200/1400

16-02-2015

ID Liste de pièces
E149115

255



Curb Light Kit - Accessories

CR 1100/1200/1400

16-02-2015

ID Liste de pièces
E149115

256

Pos	Réf. Pièce	Qté	Description
0	56305641	1	KIT LAMPE
1	56009018	2	VIS SANS TETE 1/4 20
2	56304768	1	LAMPE 12 V CPLT
3	56305648	1	BRACKET
4	56409769	1	CLIP WEATHER PACK

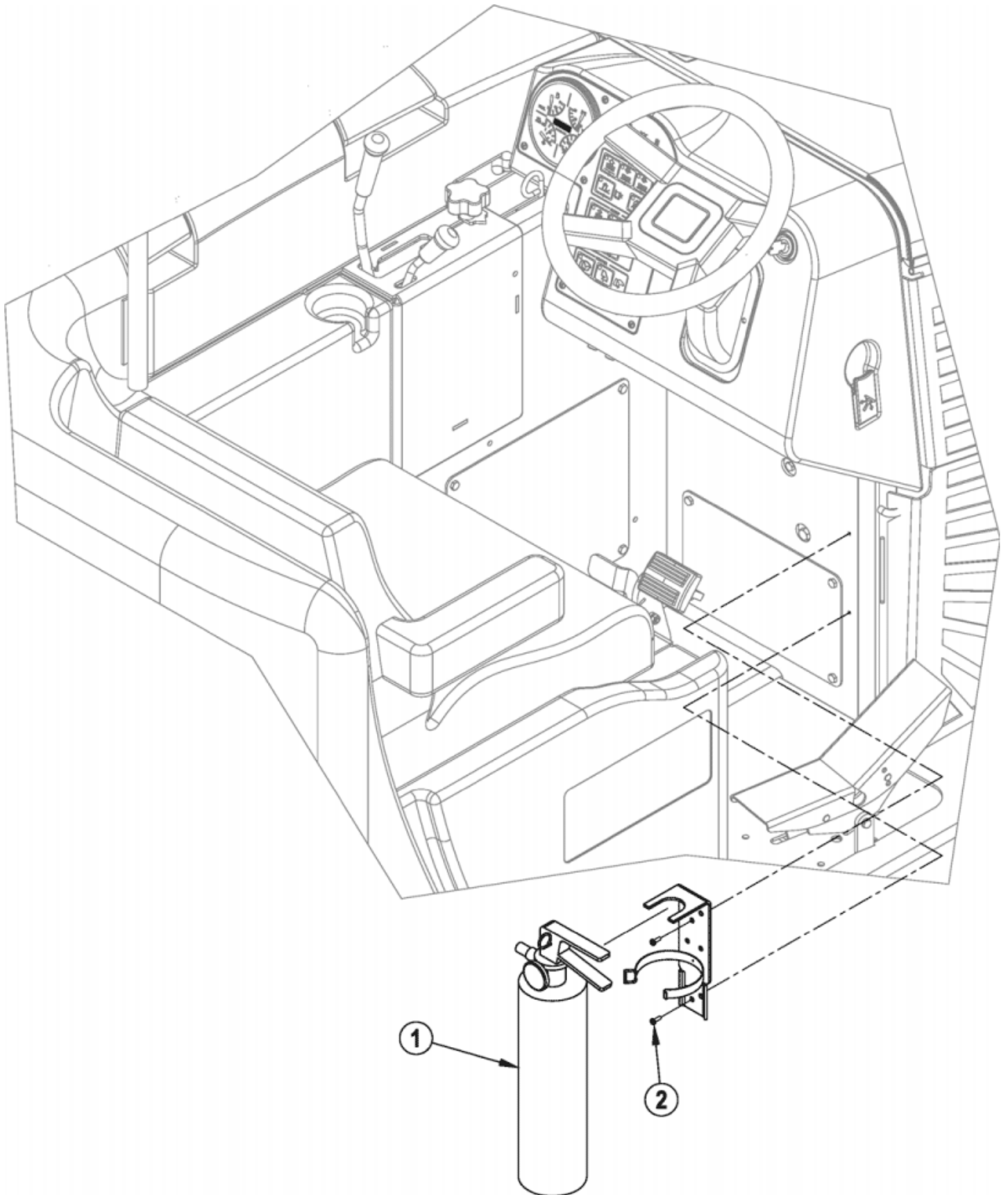
Fire Extinguisher kit (Engine models) - Accessor

CR 1100/1200/1400

16-02-2015

ID Liste de pièces
E149117

257



Fire Extinguisher kit (Engine models) - Accessor

CR 1100/1200/1400

16-02-2015

ND Liste de pièces
E149117

258

Pos	Réf. Pièce	Qté	Description	
0	56305621	1	KIT EXTINCTEUR	Engine models
1	8-83-04033	1	EXTINCTEUR	Includes bracket
2	56009019	2	VIS 1/4 20 X 0 38	

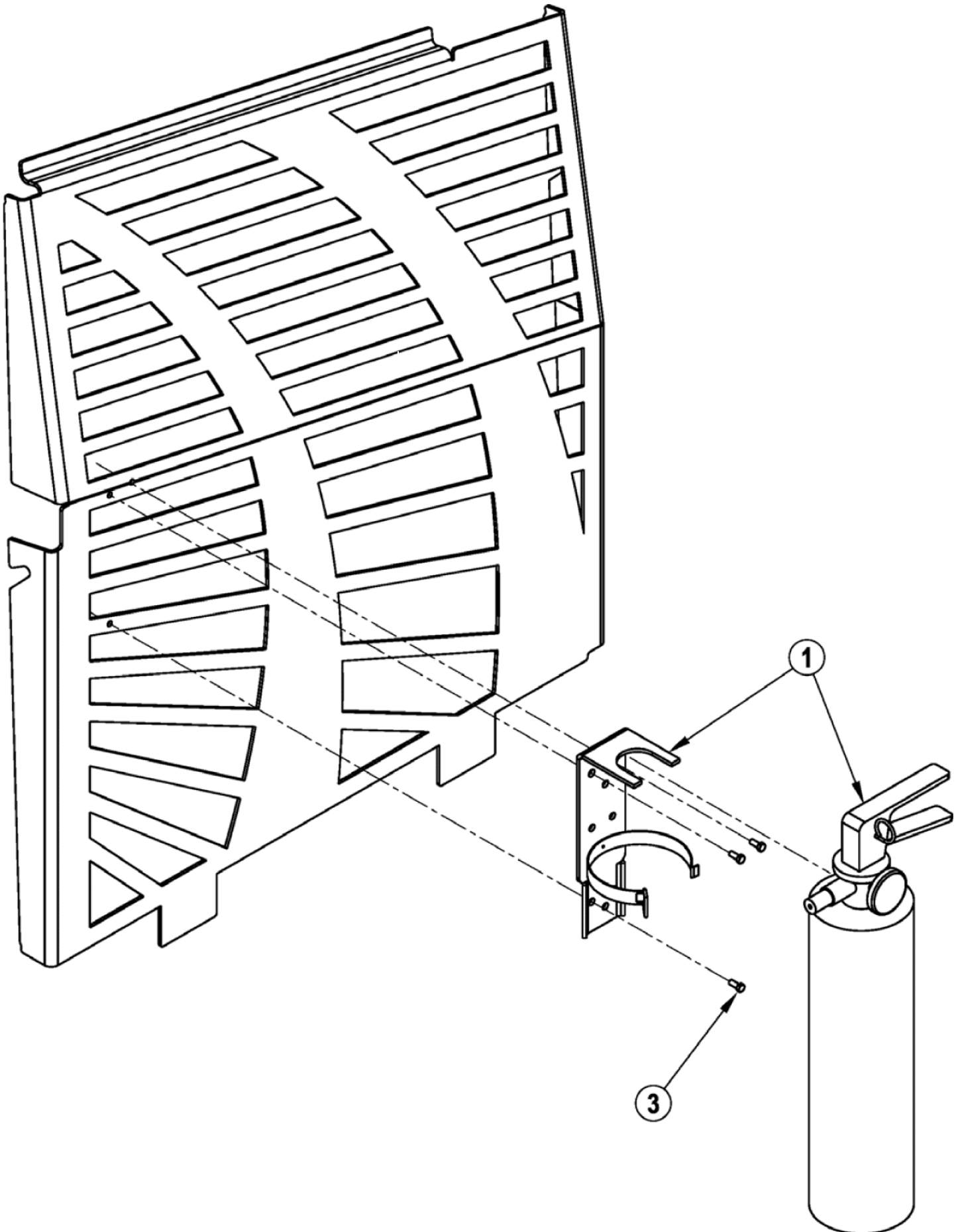
Fire extinguisher kit (Battery models) - Accesso

CR 1100/1200/1400

16-02-2015

ID Liste de pièces
E149119

259



Fire extinguisher kit (Battery models) - Accessory

CR 1100/1200/1400

16-02-2015

ID Liste de pièces
E149119

260

Pos	Réf. Pièce	Qté	Description	
0	56303431	1	FIRE EXTINGUISHER KIT	Battery models
1	8-83-04033	1	EXTINCTEUR	Includes bracket
3	56009019	3	VIS 1/4 20 X 0 38	

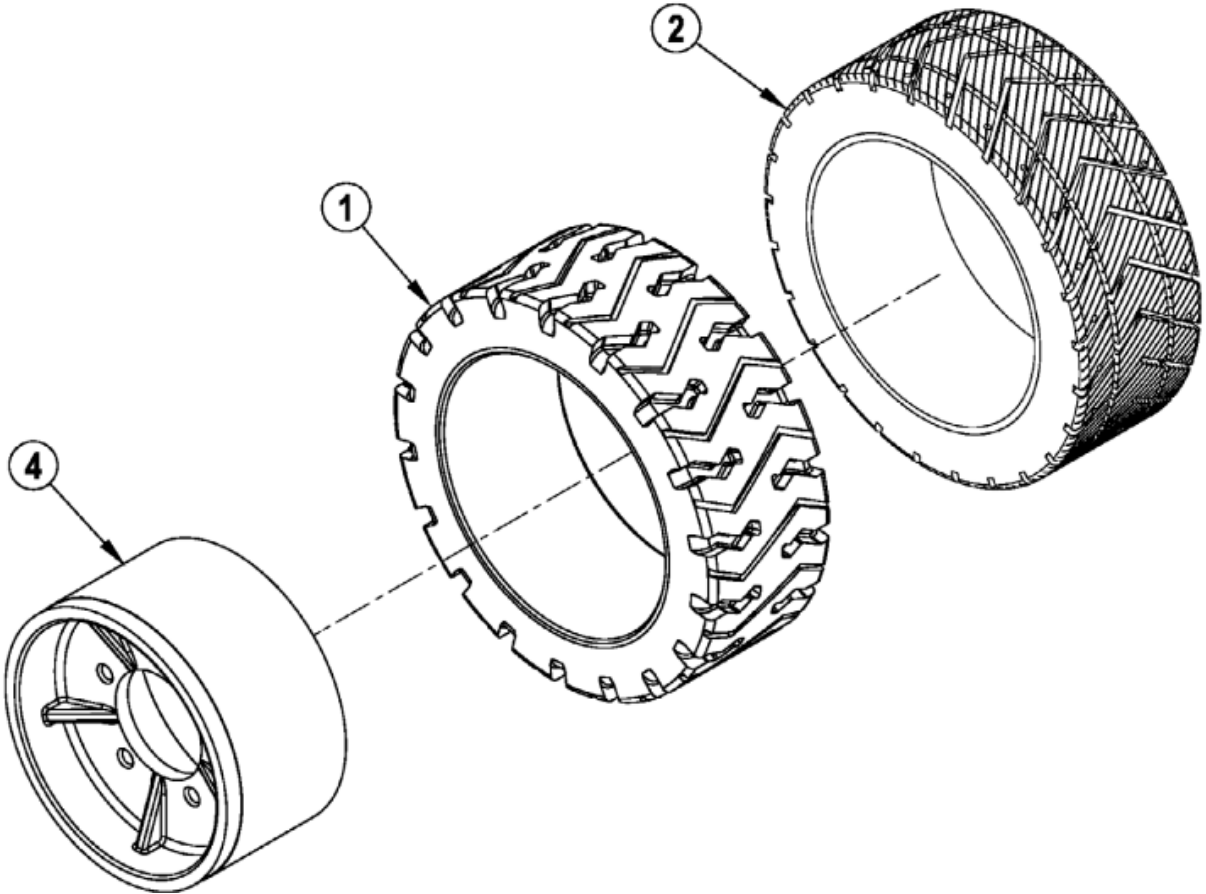
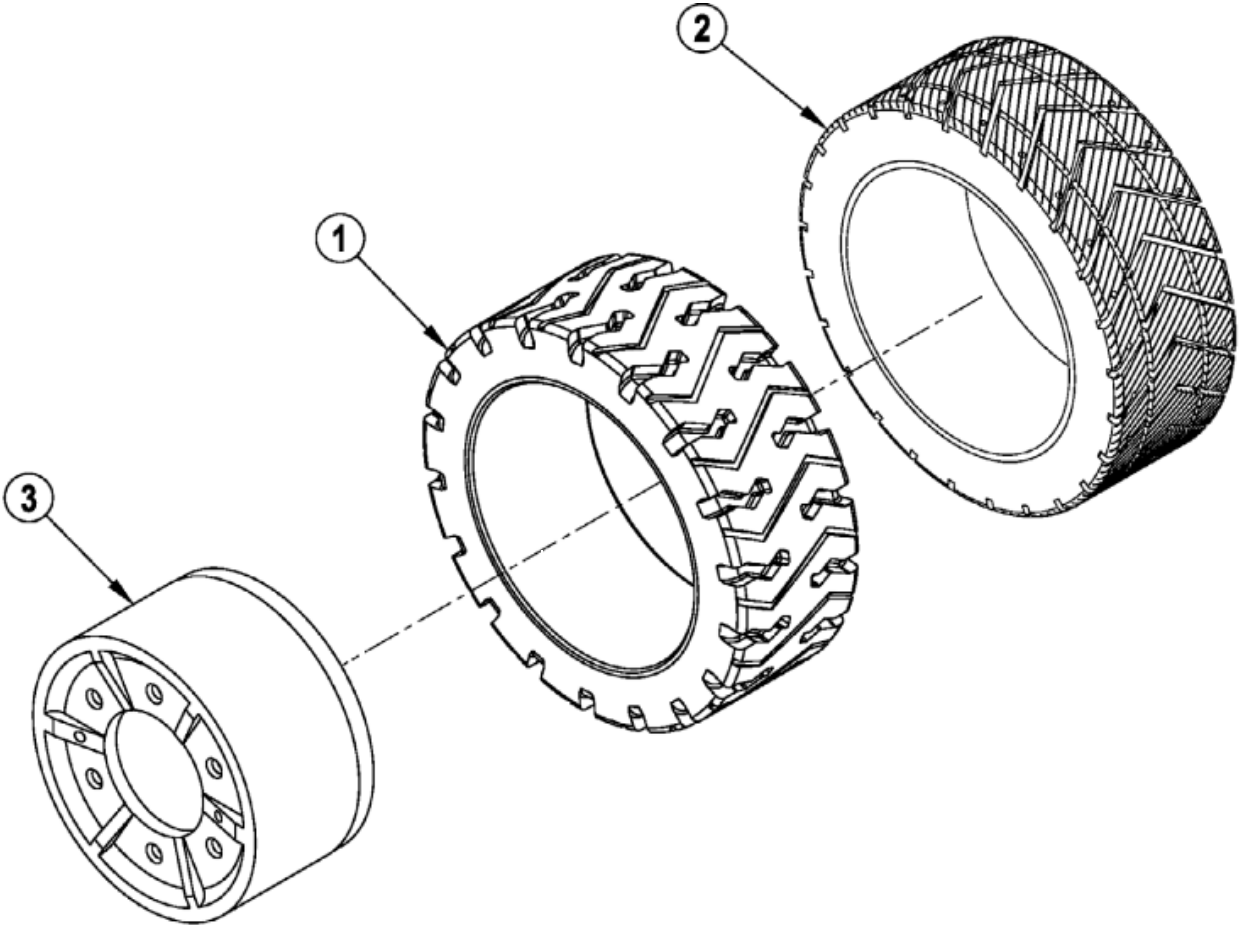
High Durability Rear Wheel - Accessories

CR 1100/1200/1400

16-02-2015

ID Liste de pièces
E149121

261



High Durability Rear Wheel - Accessories

CR 1100/1200/1400

16-02-2015

ID Liste de pièces
E149121

262

Pos	Réf. Pièce	Qté	Description	
0	56303560	1	ROUE 6 RAINUREE VERSION BATTERIE	BATTERY MODELS
0	56305996	1	TIRE 6 3X GROOVE	
0	56305997	1	WHEEL ASSY 6 3X-GROOVE IC MDL	ENGINE MODELS
1	56304025	1	BANDAGE 16 1/4 X 6	
2	56304044	1	ROUE ARRIERE CPLT	ENGINE MODELS
3	56303028	1	ROUE DIRECTIONNELLE ARRIERE	BATTERY MODELS
3	56304027	1	ROUE + BANDAGE	
3	56306207	1	ROUE CPLTE URETHANE VERSION THERMIQUE	ENGINE MODELS, TSBUS2009-1038
4	56303029	1	MOYEU DE ROUE ARRIERE	
4	56303595	1	ROUE CPLTE URETHANE VERSION BATTERIE	BATTERY MODELS, TSBUS2009-1038

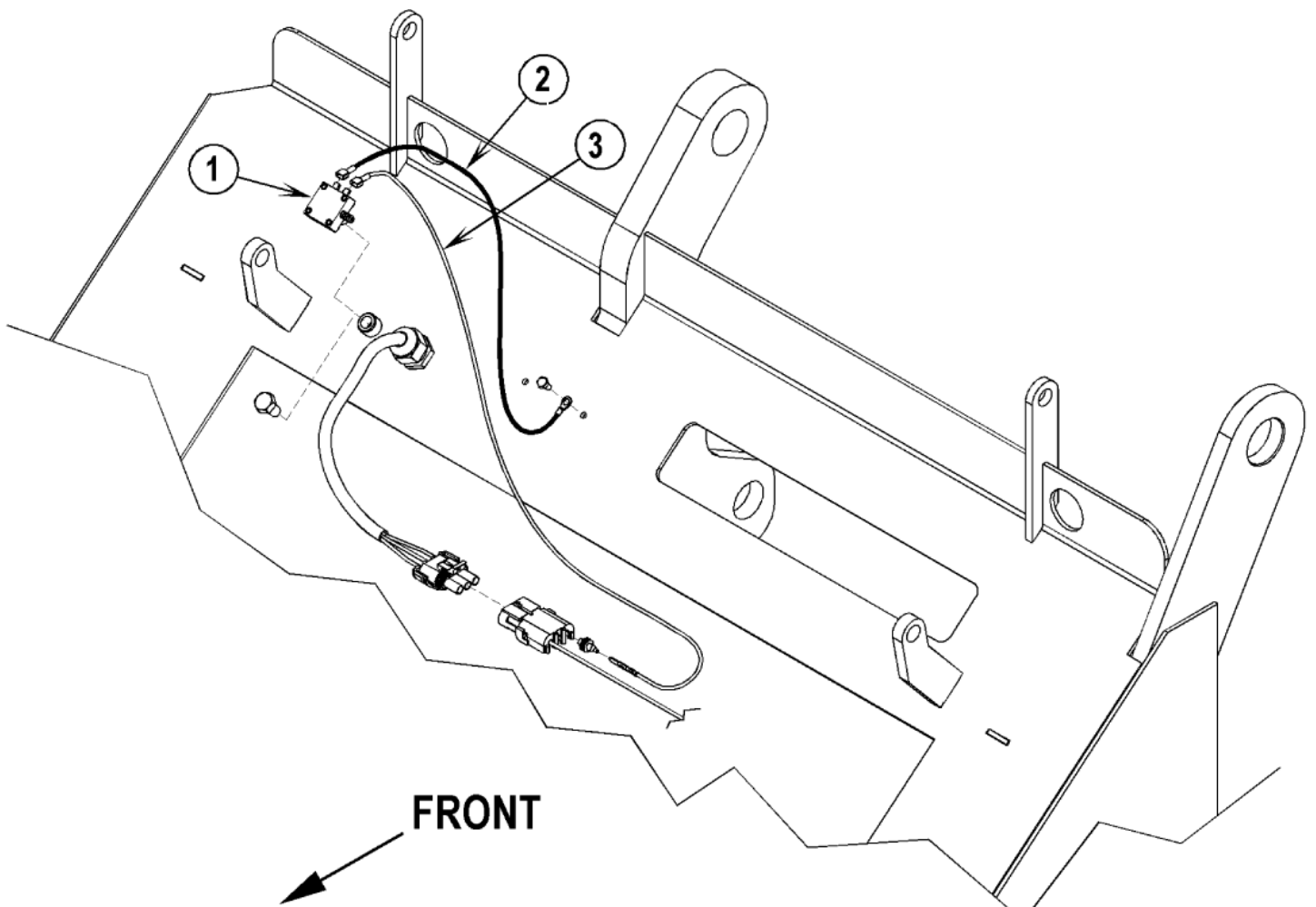
Hopper Filter Kit - Accessories

CR 1100/1200/1400

16-02-2015

ID Liste de pièces
E149122

263



Hopper Filter Kit - Accessories

CR 1100/1200/1400

16-02-2015

ID Liste de pièces
E149122

264

Pos	Réf. Pièce	Qté	Description
0	56305517	1	KIT SWICHT DE TREMIE
0	56478246	2	RACC CABLE Not shown
1	56305518	1	SWITCH VACUUM
2	56305479	1	BLK 18-9 WIRE ASSEMBLY
3	56305478	1	WHT/GRA 18-2 WIRE ASSEMBLY

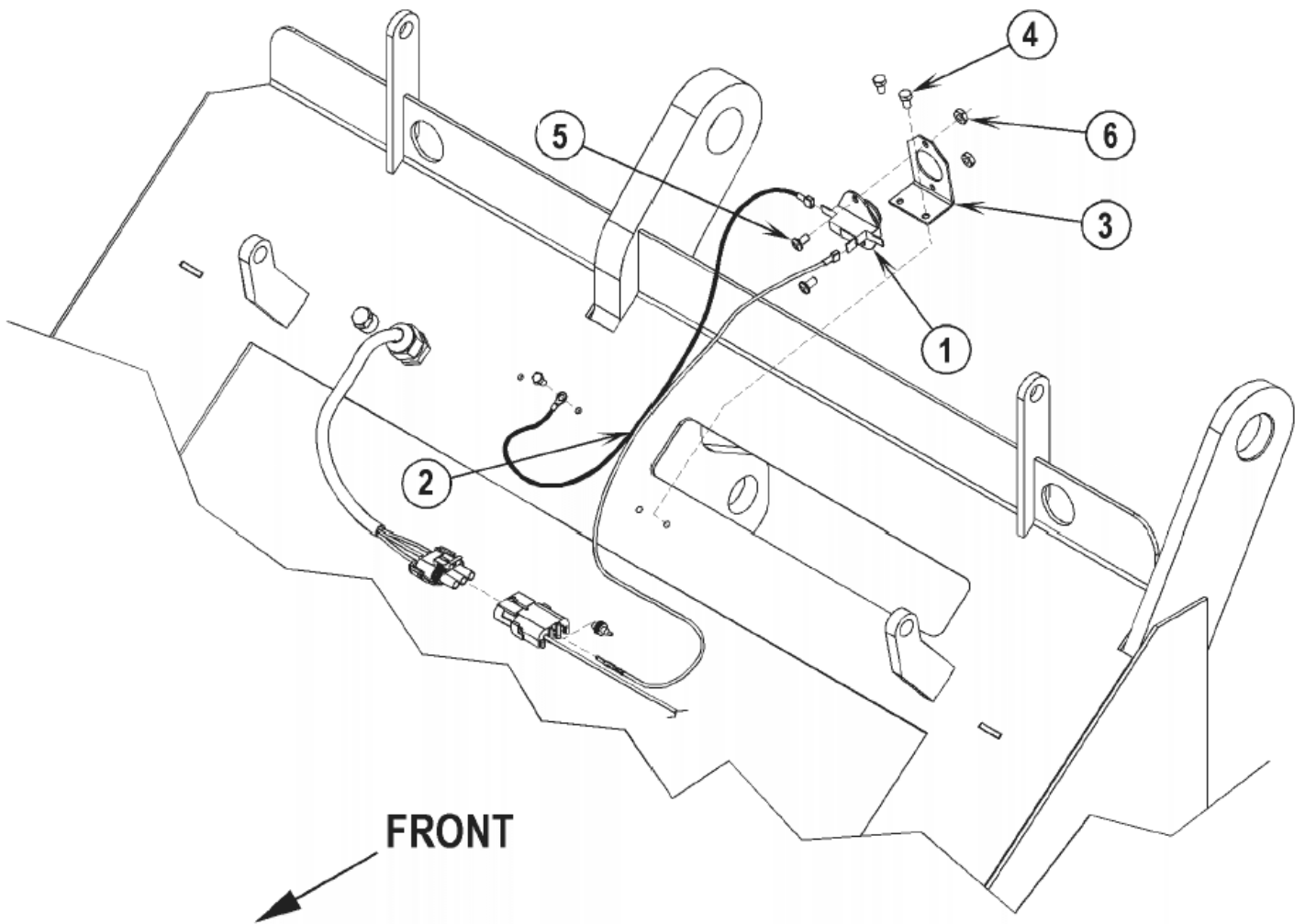
Temperature Switch Kit - Accessories

CR 1100/1200/1400

16-02-2015

ID Liste de pièces
E149123

265



Temperature Switch Kit - Accessories

CR 1100/1200/1400

16-02-2015

ID Liste de pièces
E149123

266

Pos	Réf. Pièce	Qté	Description
0	56305509	1	KIT SWICTH DE TEMPERATURE
1	56418405	1	CONTACT TEMPERATURE
2	56304760	1	HARNESS TEMPERATURE SWITCH
2	56478246	2	RACC CABLE Not shown
3	56418440	1	BRACKET
4	56009012	2	VIS 10 24X.38
5	56001818	2	SCR PAN PHIL 8 32 X .38
6	56002877	2	ECROU 8 32 NYLON

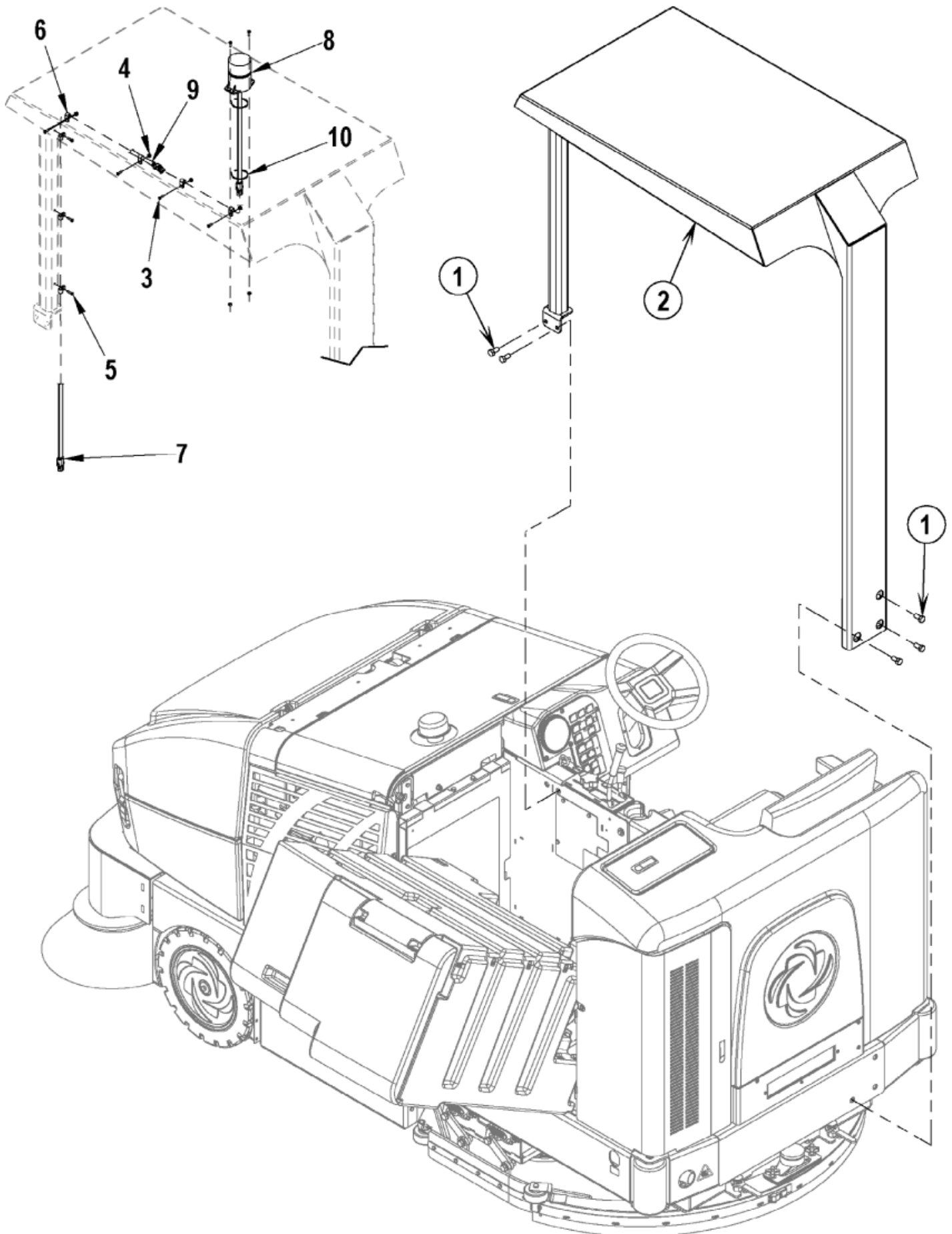
Overhead Guard kit - Accessories

CR 1100/1200/1400

16-02-2015

ID Liste de pièces
E149125

267



Overhead Guard kit - Accessories

CR 1100/1200/1400

16-02-2015

ID Liste de pièces
E149125

268

Pos	Réf. Pièce	Qté	Description	
	56303573	1	OVERHEAD GUARD KIT	
	56303579	1	OH GUARD BEACON KIT	
	56305637	1	PROTEGE TETE	Low Clearance
1	56003083	5	VIS 1/2 13X1.00	Grade 5
2	56303574	1	GUARD WELDMENT	56303573
2	56305637	1	PROTEGE TETE	
2	56305687	1	GARNITURE DE PROTEGE TETE	Pre-assembled to item 2 oval cutaout
2	56305705	2	TRIM EDGE	Pre-assembled to item 2
3	56002124	6	VIS 10-24 X 62	
4	56002768	6	ECROU 10 24	
5	56009043	3	SCR PAN PHIL THD FORM10-24X.75	
6	56172017	7	SUPPORT CLIP	
7	56307165	1	HARNESS BEACON	
8	56307166	1	GYROPHARE	
9	56307171	1	CONDUIT	
10	56478246	2	RACC CABLE	

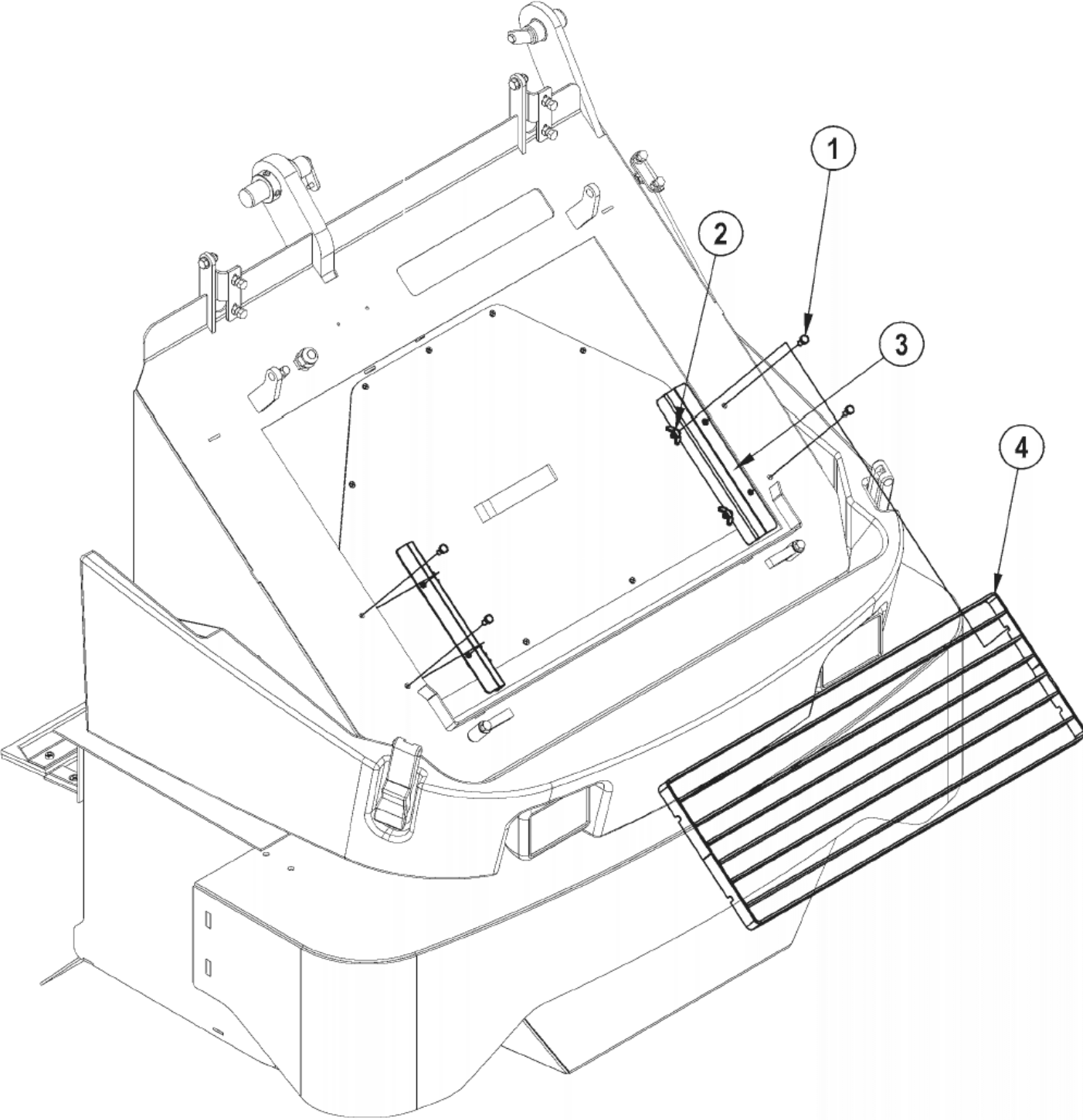
Pre-Filter Grid kit - Accessories

CR 1100/1200/1400

16-02-2015

ID Liste de pièces
E149127

269



Pre-Filter Grid kit - Accessories

CR 1100/1200/1400

16-02-2015

ID Liste de pièces
E149127

270

Pos	Réf. Pièce	Qté	Description
0	56305794	1	PRE-FILTER GRID KIT
1	56003039	4	IS 1/4 20X1/2
2	56009048	4	ECROU 1/4 20
3	56305875	2	BRACKET PREFILTER
4	56305887	1	FILTRE

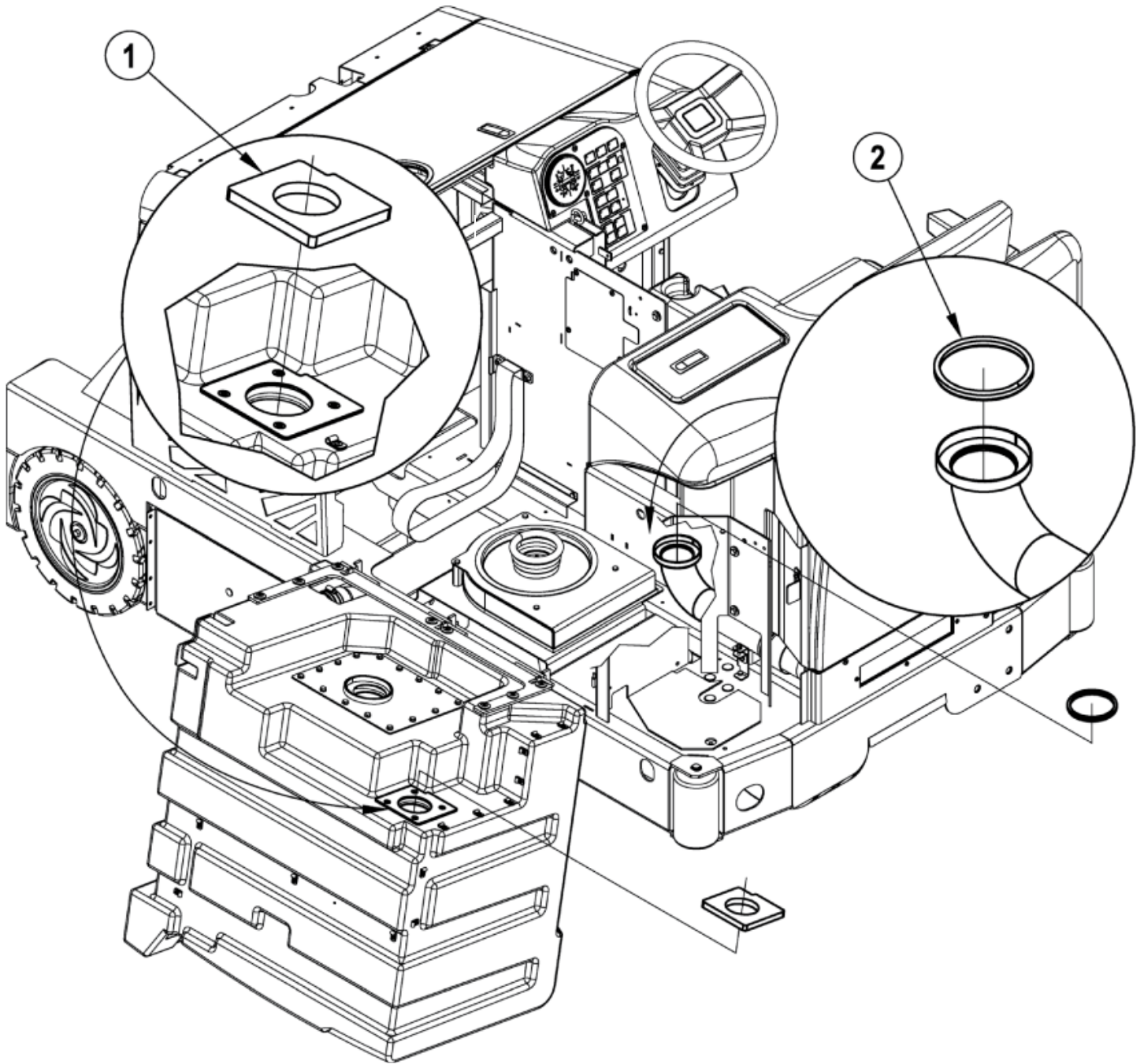
Recovery inlet seal kit - Accessories

16-02-2015

ID Liste de pièces
E149129

271

CR 1100/1200/1400



Recovery inlet seal kit - Accessories

CR 1100/1200/1400

16-02-2015

ID Liste de pièces
E149129

272

Pos	Réf. Pièce	Qté	Description
	56307221	1	KIT JOINT+MOUSSE
1	56307219	1	JOINT DE CUVE
2	56307220	1	JOINT

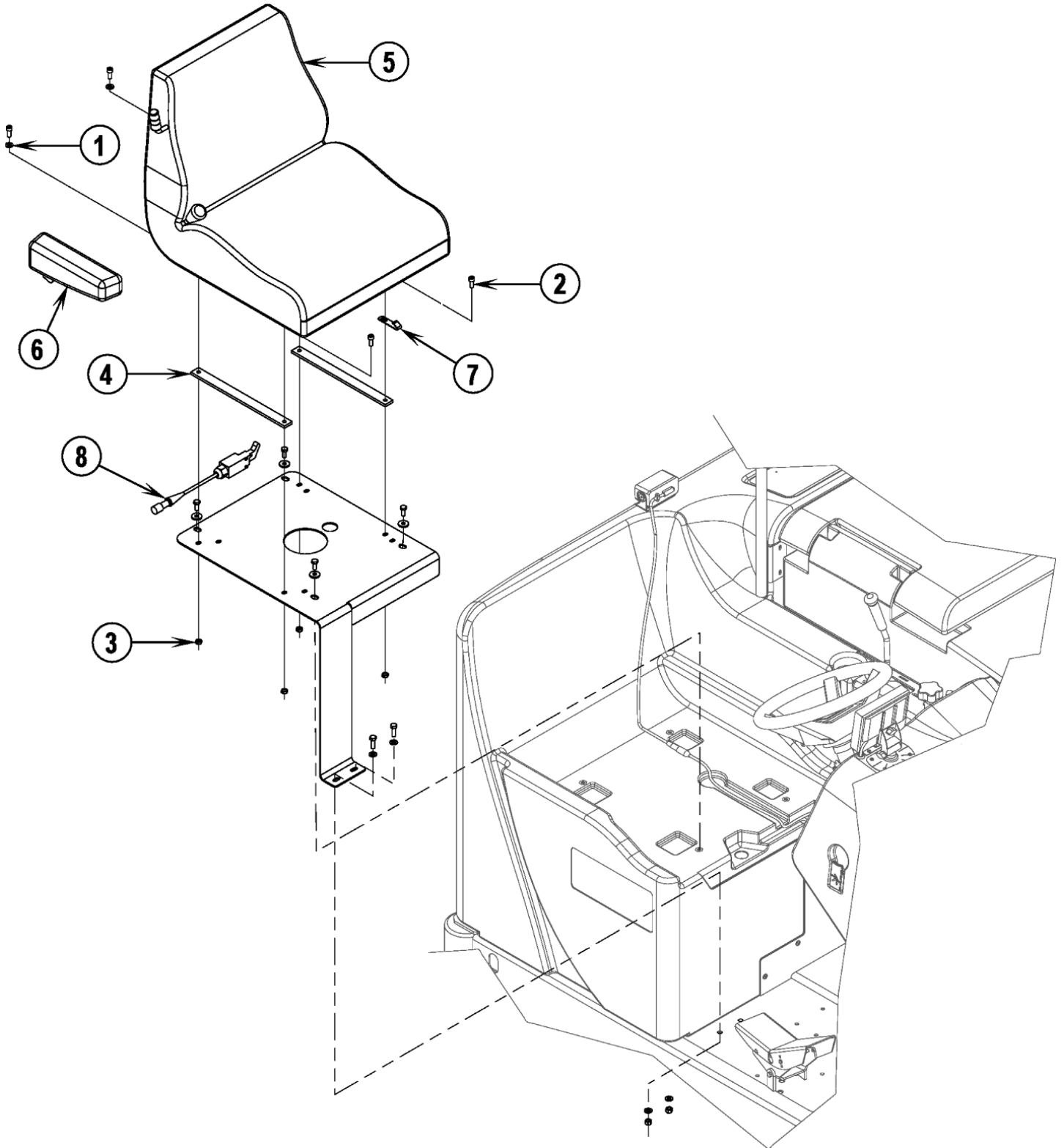
Seat kit, Engine models - Accessories

16-02-2015

ID Liste de pièces
E149130

CR 1100/1200/1400

273



Seat kit, Engine models - Accessories

CR 1100/1200/1400

16-02-2015

ID Liste de pièces
E149130

274

Pos	Réf. Pièce	Qté	Description
0	56305611	1	SIEGE DE LUXE
1	56001939	2	RONDELLE PLATE SAE 5/16
2	56001959	4	VIS 5/16 EME
3	56002826	4	ECROU 5/16 18
4	56305191	2	SPACER SEAT
5	56305612	1	SIEGE
6	56305613	1	ACCOUDOIR
7	56305934	1	SLIDE STOP SEAT

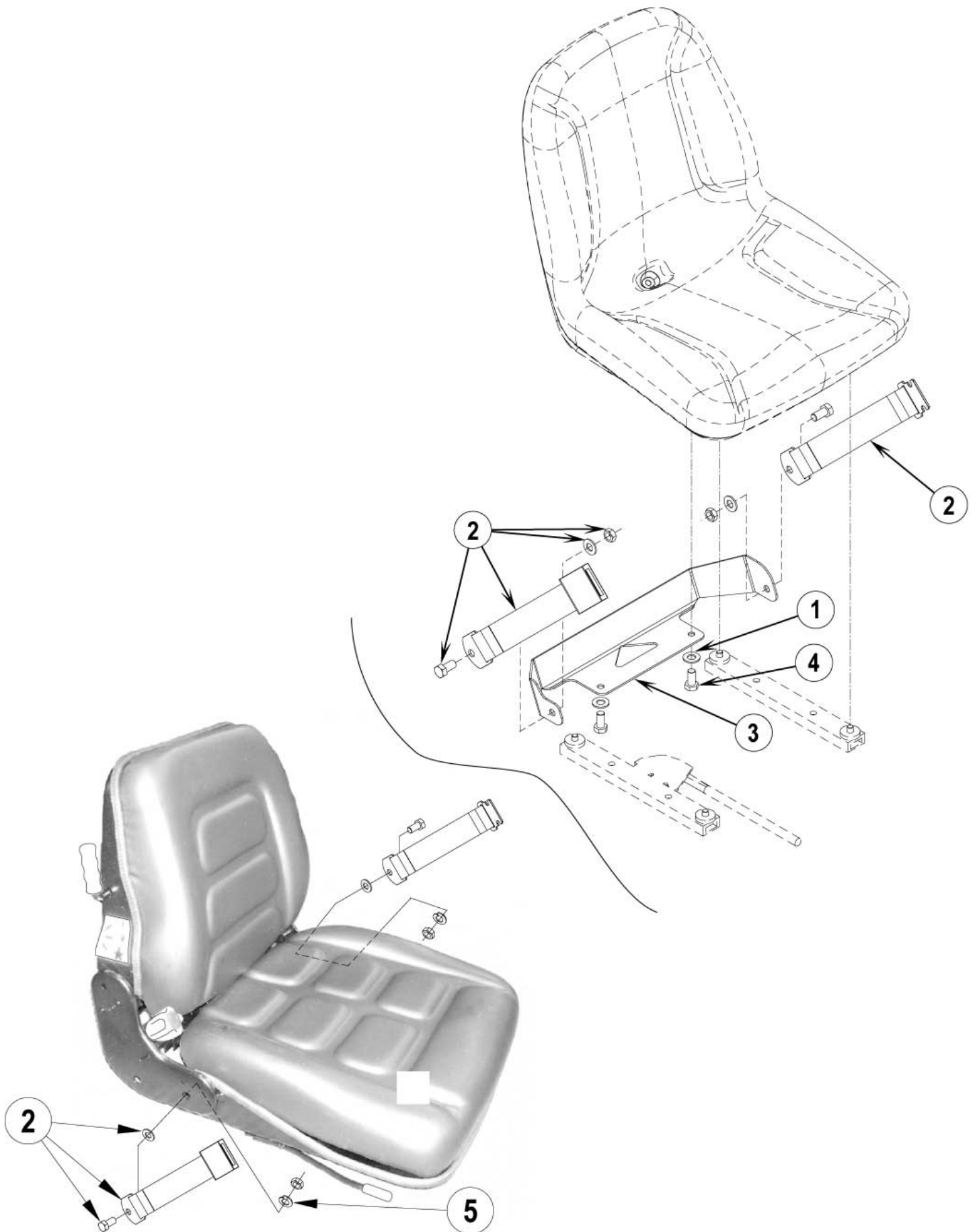
Seat belt kit - Accessories

CR 1100/1200/1400

16-02-2015

ID Liste de pièces
E149132

275



Seat belt kit - Accessories

CR 1100/1200/1400

16-02-2015

ID Liste de pièces
E14913Z

276

Pos	Réf. Pièce	Qté	Description
0	56419369	1	SEAT BELT KIT
1	56001939	2	RONDELLE PLATE SAE 5/16
2		1	NOTE COMMENT Seat Belt - Includes hardware - not available
3	56507886	1	BRACKET SEAT BELT MTG
4	56001862	2	VIS 5/16EME 18 X 0 50
5	2-00-02312	2	RONDELLE

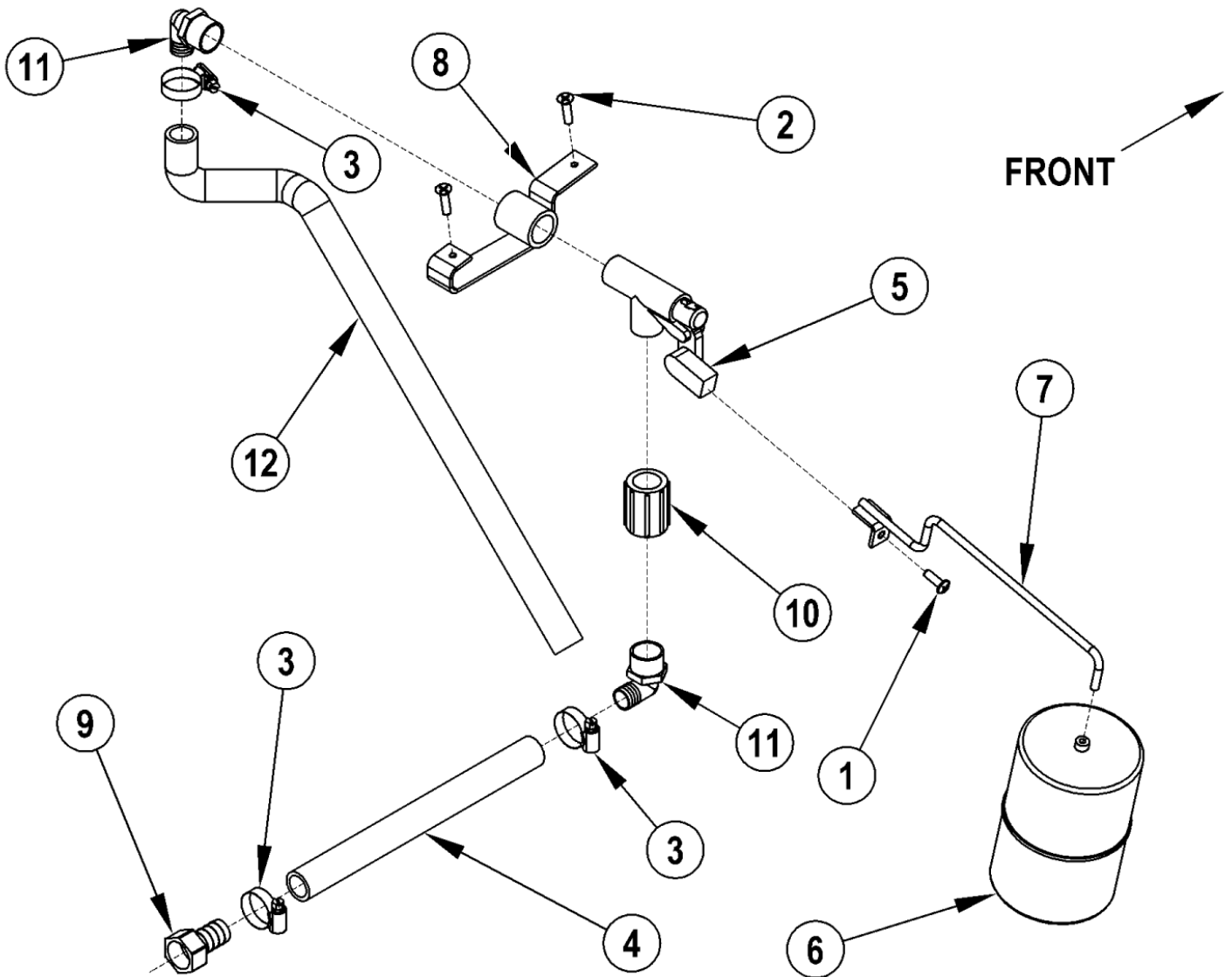
Solution Fill Shutoff Kit (OBSOLETE) - Accesso

CR 1100/1200/1400

16-02-2015

ID Liste de pièces
E149133

277



Solution Fill Shutoff Kit (OBSOLETE) - Accesso

CR 1100/1200/1400

16-02-2015

ID Liste de pièces
E149133

278

Pos	Réf. Pièce	Qté	Description
1	56002957	1	VIS 1/4 20 X 0 7
2	56009019	6	VIS 1/4 20 X 0 38
3	56244969	3	FIXATION TUYAU SAE 12 E00
4	56305318	1	HOSE 10.5 SPIRAL E00605
5	56305566	1	VALVE FLOAT
7	56305586	1	FLOAT ARM WELDMENT
8	56305896	1	KIT ARRET AUTO REMPLIS. RESERVOIR SOLUTI
9	56305599	1	FITTING GH TO BARB
10	56305636	1	COUPLING 3/4 NPT PVC
11	56456802	2	COUDE M/F 3/4X3/4
12	56459674	1	FLEXIBLE

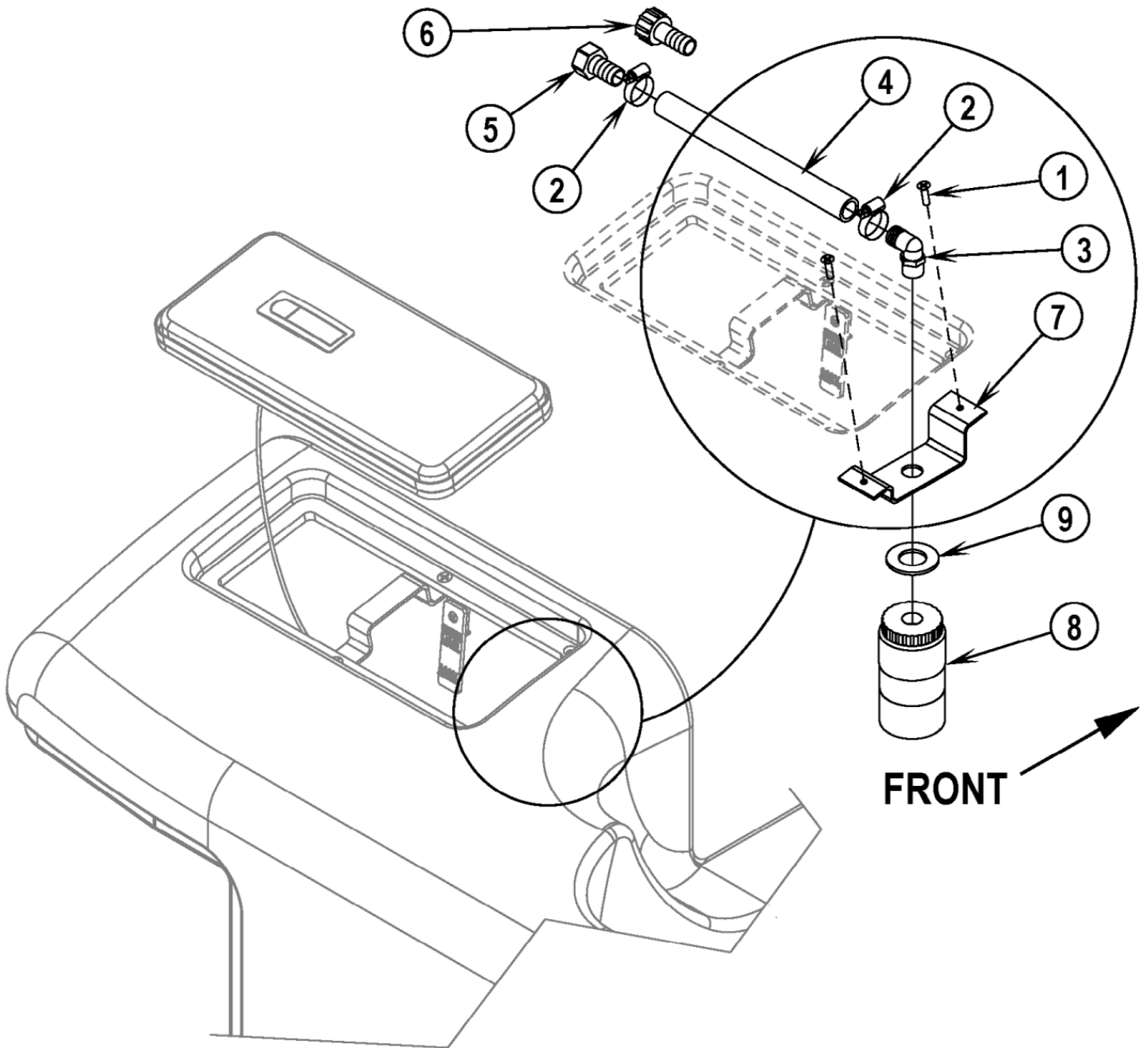
Solution Fill Shutoff Kit - Accessories

CR 1100/1200/1400

16-02-2015

ID Liste de pièces
E149134

279



Solution Fill Shutoff Kit - Accessories

CR 1100/1200/1400

16-02-2015

ID Liste de pièces
E149134

280

Pos	Réf. Pièce	Qté	Description
0	56305896	1	KIT ARRET AUTO REMPLIS. RESERVOIR SOLUTI
1	56003074	2	VIS TETE PL PHIL INOX
2	56244969	2	FIXATION TUYAU SAE 12 E00
3	56244985	1	RACCORD 3/4X1/2X90 NYLFC4
4	56305318	1	HOSE 10.5 SPIRAL E00605
6	56305835	1	BARB FEMALE SWIV3/4-14GASX19MM European
7	56305888	1	BRACKET
8	56314210	1	VALVE AUTOFILL
9	2-00-05239	1	RONDELLE 2.000X1.063X.125 SST

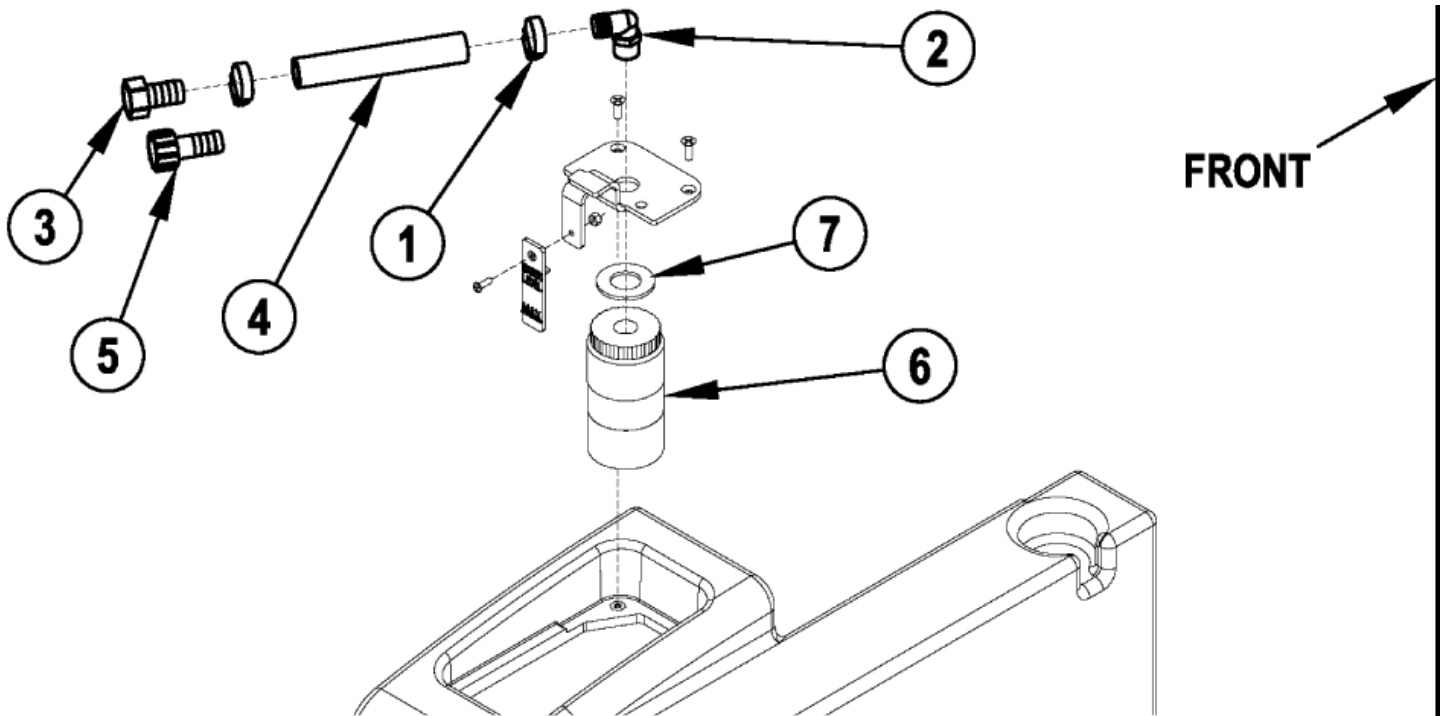
Solution Fill Shutoff Kit (60 Gallon) - Accessoi

CR 1100/1200/1400

16-02-2015

ID Liste de pièces
E149135

281



Solution Fill Shutoff Kit (60 Gallon) - Accessori

CR 1100/1200/1400

16-02-2015

ID Liste de pièces
E149135

282

Pos	Réf. Pièce	Qté	Description
0	56305820	1	SOLUTION FILL SHUTOFF KIT 60
1	56244969	2	FIXATION TUYAU SAE 12 E00
2	56244985	1	RACCORD 3/4X1/2X90 NYLFC4
4	56305762	1	HOSE SPIRAL E00605
5	56305835	1	BARB FEMALE SWIV3/4-14GASX19MM European
6	56314210	1	VALVE AUTOFILL
7	2-00-05239	1	RONDELLE 2.000X1.063X.125 SST

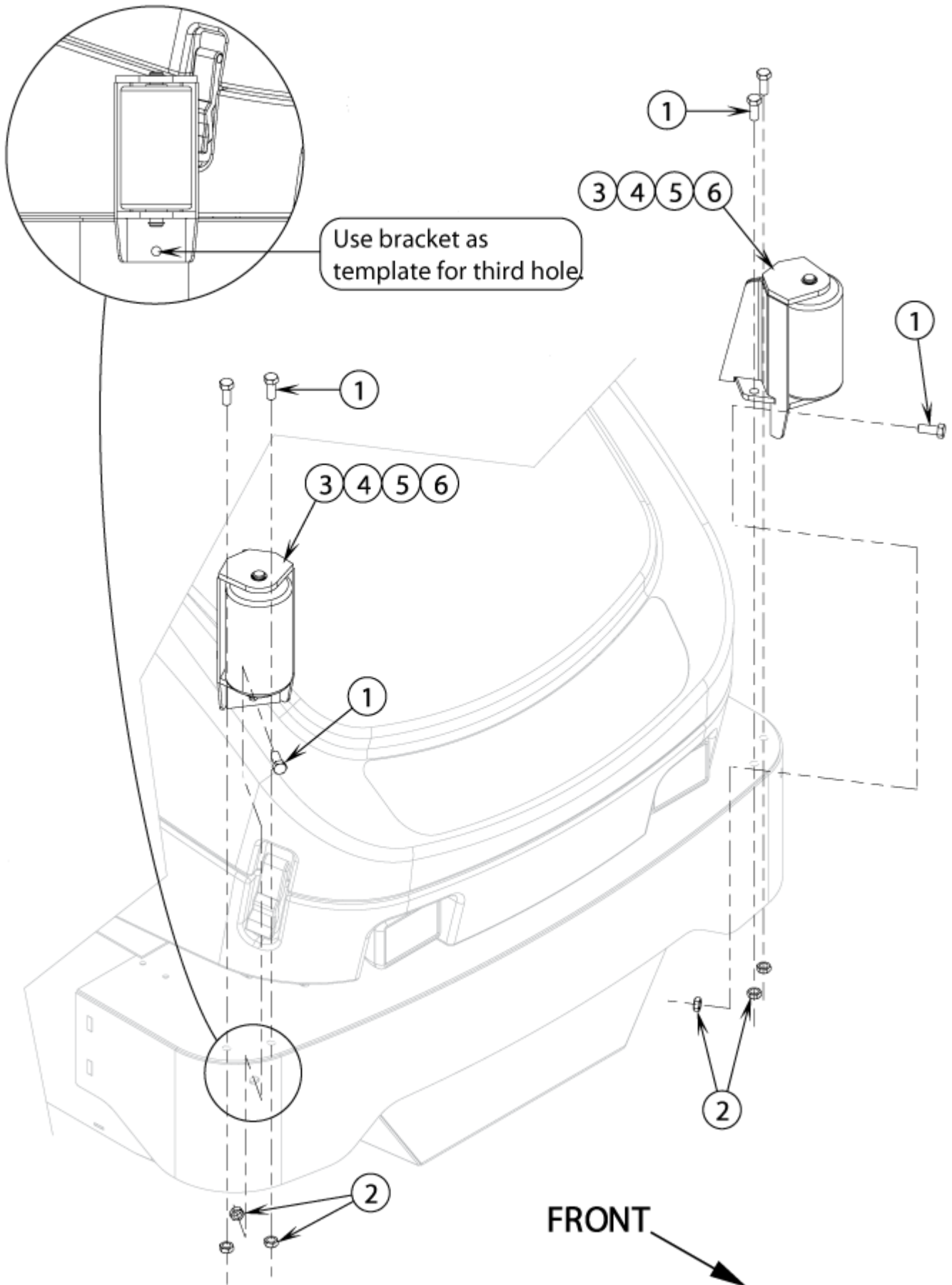
Tower Bumper kit - Accessories

16-02-2015

ID Liste de pièces
E149137

283

CR 1100/1200/1400



Tower Bumper kit - Accessories

CR 1100/1200/1400

16-02-2015

ID Liste de pièces
E149137

284

Pos	Réf. Pièce	Qté	Description
0	56305493	1	KIT AMORTISSEUR
1	56001895	6	VIS 6 PANS 1/2 13X1 00
2	56002843	6	ECROU 1/2 13
3	56003266	4	ANNEAU RET EXT TYPE E
4	56409335	2	PARE CHOCS TENDEUR
5	56409336	2	AXE
6	56305332	2	ROLLER BUMPER BRACKET WELDMENT

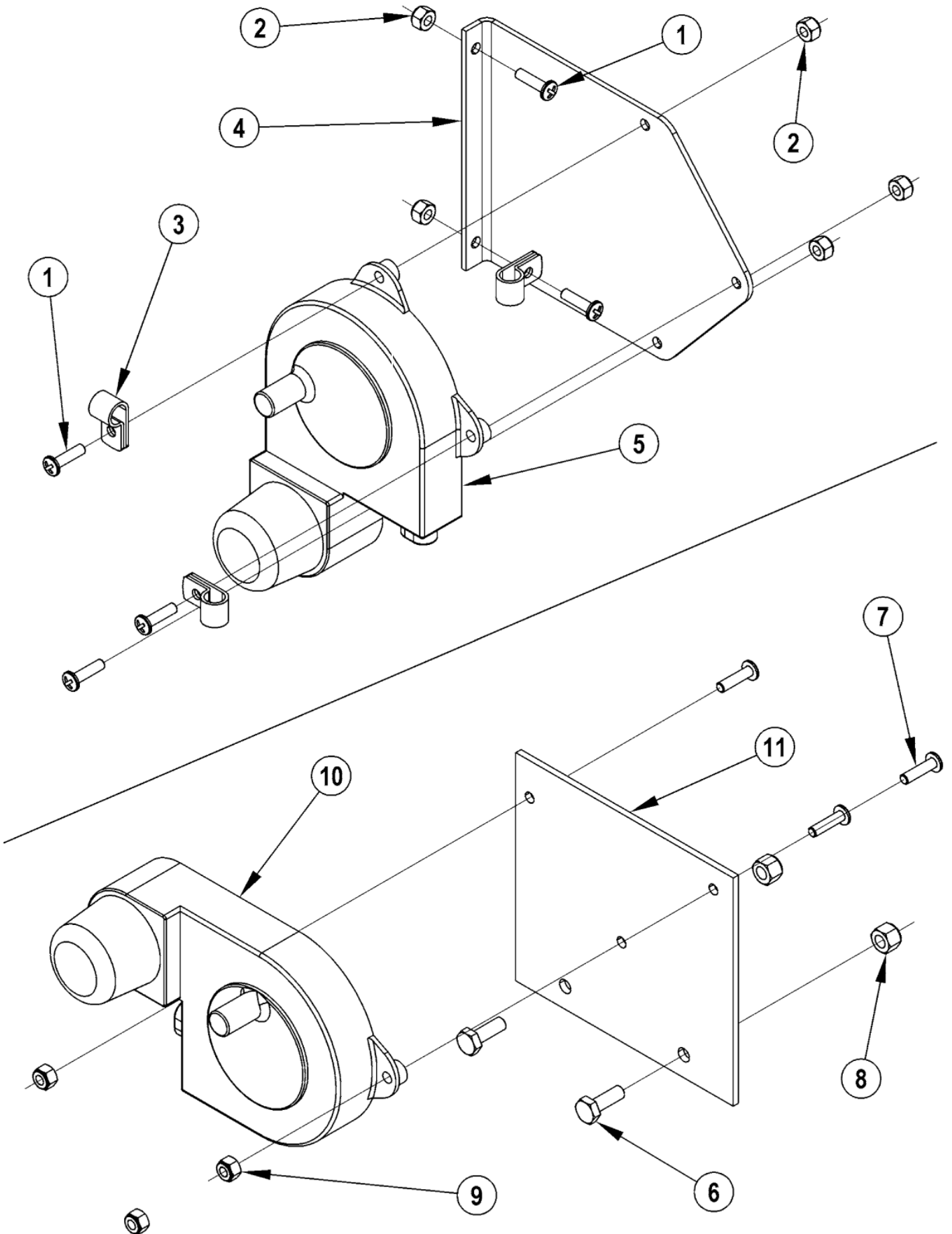
Under-Hood Light Kit, Engine models- Accesso

CR 1100/1200/1400

16-02-2015

ID Liste de pièces
E149138

285



Under-Hood Light Kit, Engine models- Accesso

CR 1100/1200/1400

16-02-2015

ID Liste de pièces
E149138

286

Pos	Réf. Pièce	Qté	Description
0	56305628	1	KIT LAMPE
1	56002192	5	VIS SUPPORT EMBOUCHURE
2	56002832	5	ECROU
3	56172017	3	SUPPORT CLIP
4	56305626	1	BRACKET LIGHT MOUNT
5	56305627	1	TROUBLE LAMP

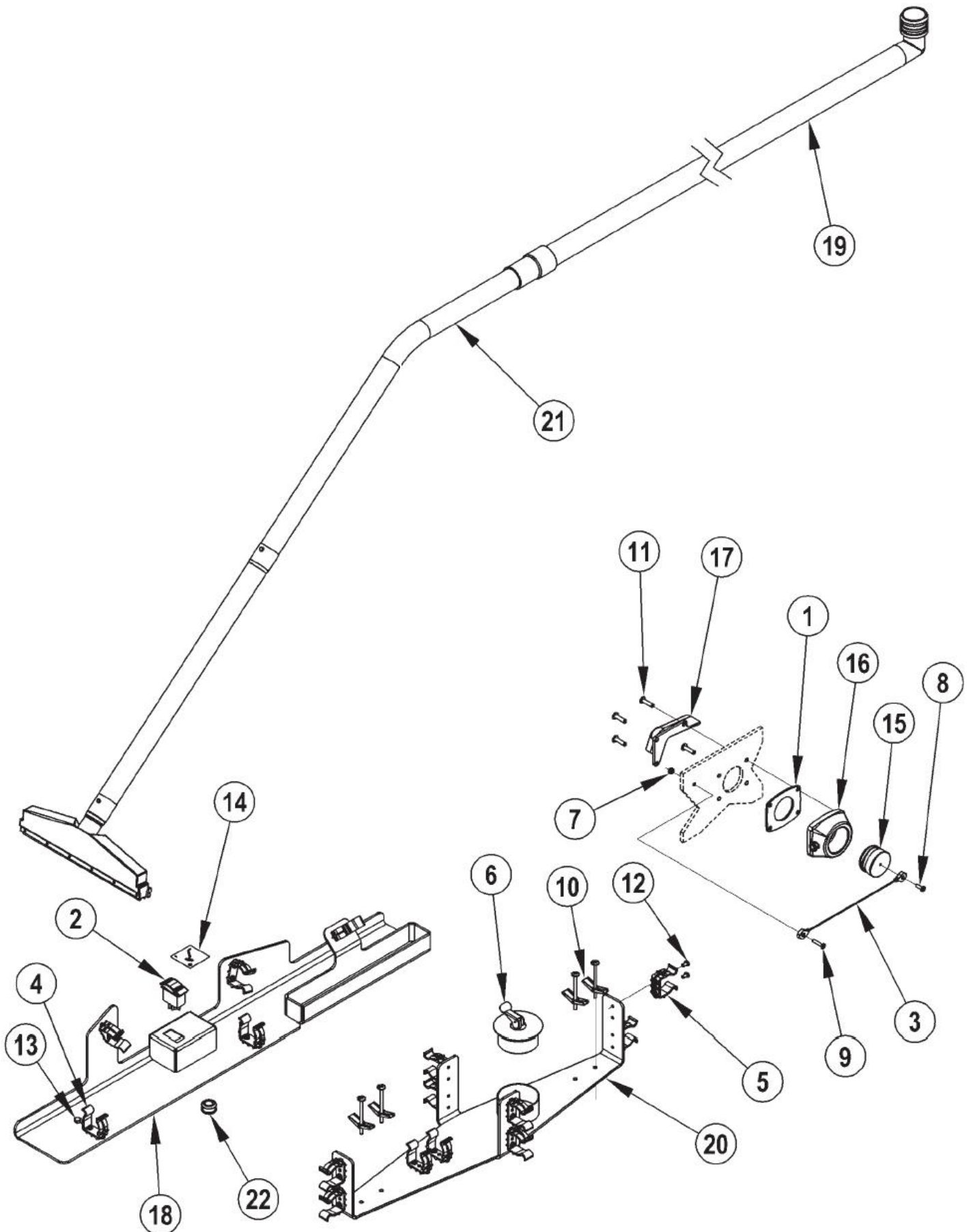
Vacuum Wand Kit - Accessories

CR 1100/1200/1400

16-02-2015

ID Liste de pièces
E149141

287



Vacuum Wand Kit - Accessories

CR 1100/1200/1400

16-02-2015

ID Liste de pièces
E149141

288

Pos	Réf. Pièce	Qté	Description
0	56305530	1	KIT ASPIRATION A DISTANCE
1	56201390	1	JOINT HP29G 1
2	56209321	1	INTERRUPTEUR
3	56325240	1	CABLE DE MAINTIEN PLAT.BROSSEUR
4	56392171	5	FIXATION PLASTIC
5	56407361	10	ACCROCHE FLEXIBLE
6	56462703	1	BOUCHON DE TROP PLEIN
7	56002849	1	ECROU HEX NYL LOC THIN
8	56002896	1	VIS 10 24 X 0 62 INOX
9	56002917	1	ECROU
10	56003676	4	BOLT TOGGLE .25 X 3.00
11	56009006	4	VIS TYPE AB10X16
12	56009030	30	VIS TETE PLATE CRUCIFORME
13	56009033	2	VIS 6 PANS 1/4 20 X 50
14	56015253	1	DECAL WAND
15	56456078	1	PRISE
16	56205821	1	ENSEMBLE CONNECTEUR
17	56205829	1	DEFLECTEUR
18	56305529	1	WAND MOUNT WELDMENT
19	56305539	1	FLEXIBLE ASPIRATION AQUA
20	56305540	1	HOSE MOUNT WELDMENT
21	56305605	1	WAND ASSEMBLY
22	56453254	1	GROMMET E00059

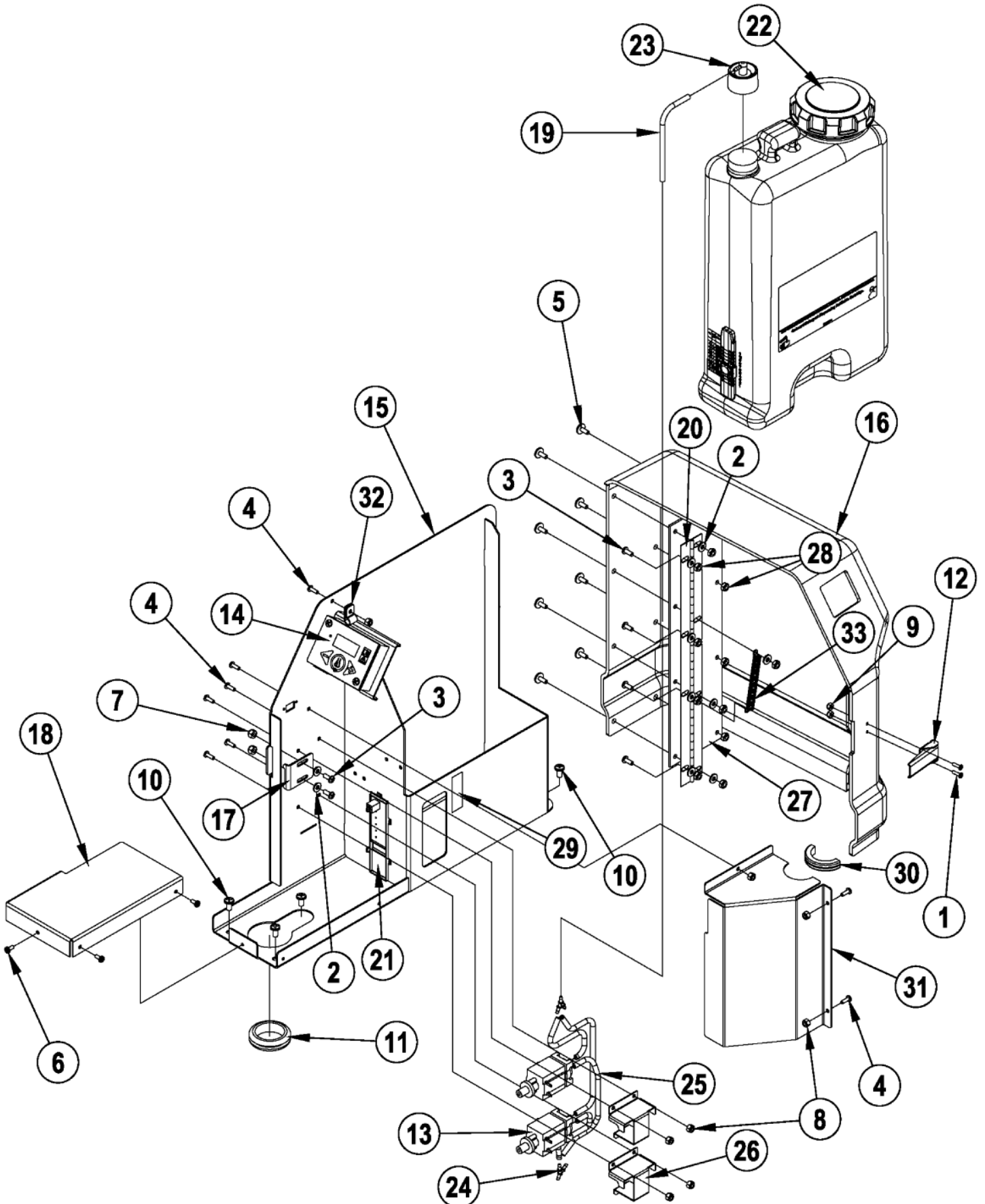
Chemical injection kit-12VDC (control box assy)

CR 1100/1200/1400

16-02-2015

ID Liste de pièces
E149143

289



Chemical injection kit-12VDC (control box assy

CR 1100/1200/1400

16-02-2015

ID Liste de pièces
E149143

290

Pos	Réf. Pièce	Qté	Description	
	56306125	1	CONTROL BOX ASSY 12 VDC	
1	56001830	2	SCR PAN PHIL 6 32 X .50	
2	56001954	10	ONDELLE	
3	56001993	6	VIS TETE PL PHIL 10 24X 5	
4	56002003	8	VIS 8 32 X 5	
5	56009100	8	VIS SANS TETE BLK 10 24	
6	56002523	3	SCR PAN HD PHIL HP5 8-32 X .38	
7	56002768	2	ECROU 10 24	
8	56002808	8	NUT HEX NYL LOC 8-32	
9	56002830	2	ECROU 6 32	
10	56009033	5	VIS 6 PANS 1/4 20 X 50	
11	56054715	1	GROMMET E00059	
12	56109591	1	LATCH	NOTE 1
13	56110742	2	POMPE SOLUTION 2	
14	56111400	1	CONTROLEUR ELECTRONIQUE EDS	
15	56306124	1	BOX WELDMENT CHEMICAL	
16	56306133	1	COVER CHEMICAL INJECTION	
17	56306147	1	CATCH	
18	56306148	1	COVER	
19	56306169	1	HOSE CHEM RESISTANT 17.00	
20	56306181	1	HINGE	
21	56315340	1	CAPTEUR CPLT	
22	56315517	1	BOUCHON NOIR	NOT SHOWN
22	56315690	1	CAP 38MM BUTTRESS	NOT SHOWN
22	56413119	1	RESERVOIR EDS 9 LITRES	NOT SHOWN
22	56413784	1	TUYAU DE RESERVOIR	NOT SHOWN
22	56413999	1	BOUEILLE ESD SOLUTION 9L CPLT BR1100-13	
23	56315523	1	BOUCHON 1/8 GRIS	
24	56413691	2	CONNECTEUR Y DE SOLUTION	
25	56413693	4	TUYAU RESIST.PROD.CHIMIQUES	
26	56413775	2	BRACKET PUMP MOUNT	
27	56306191	1	PLATE REINFORCING	
28	56002832	12	ECROU	
29	56016331	1	DECAL CHEMICAL RATIO	
30	56344621	1	OEILLET	
31	56306198	1	PUMP COVER	
32	56300152	1	FIXATION CABLE	
33	56397301	1	FLEXIBLE PVC	
33	56478246	1	RACC CABLE	NOT SHOWN
100	56306125	1	CONTROL BOX ASSY 12 VDC	NOT SHOWN
101	56306149	1	PUMP ASSY 12 VDC	NOT SHOWN
103	56306166	1	HARNESS IC CAPTOR AXP	NOT SHOWN

NOTE 1: Latch 56109591 is the replacement for Latch 56054856. To replace a 56054856 Latch; remove the old latch, line up the new latch 56109591 with the catch, use the latch as a template to mark and drill the new mounting holes, assemble the new latch with the existing mounting hardware.

Chemical injection kit-12VDC (control box assy

CR 1100/1200/1400

16-02-2015

ID Liste de pièces
E149143

291

Pos	Réf. Pièce	Qté	Description	
104	56418387	1	RELAIS OUVERTURE DE	K6 - NOT SHOWN
105	56387316	1	DISJONCTEUR 10A	F8 - NOT SHOWN
106	56459367	1	BOUTON DE REMISE A ZERO	NOT SHOWN
107	56009063	1	SCR HEX THD FORM 10-24X .25	NOT SHOWN
108	56459825	1	REDUCTEUR	NOT SHOWN
109	56306179	2	DECAL CR1200 EDS	NOT SHOWN
110	56306180	2	DECAL CR1400 EDS	NOT SHOWN

NOTE 1: Latch 56109591 is the replacement for Latch 56054856. To replace a 56054856 Latch; remove the old latch, line up the new latch 56109591 with the catch, use the latch as a template to mark and drill the new mounting holes, assemble the new latch with the existing mounting hardware.

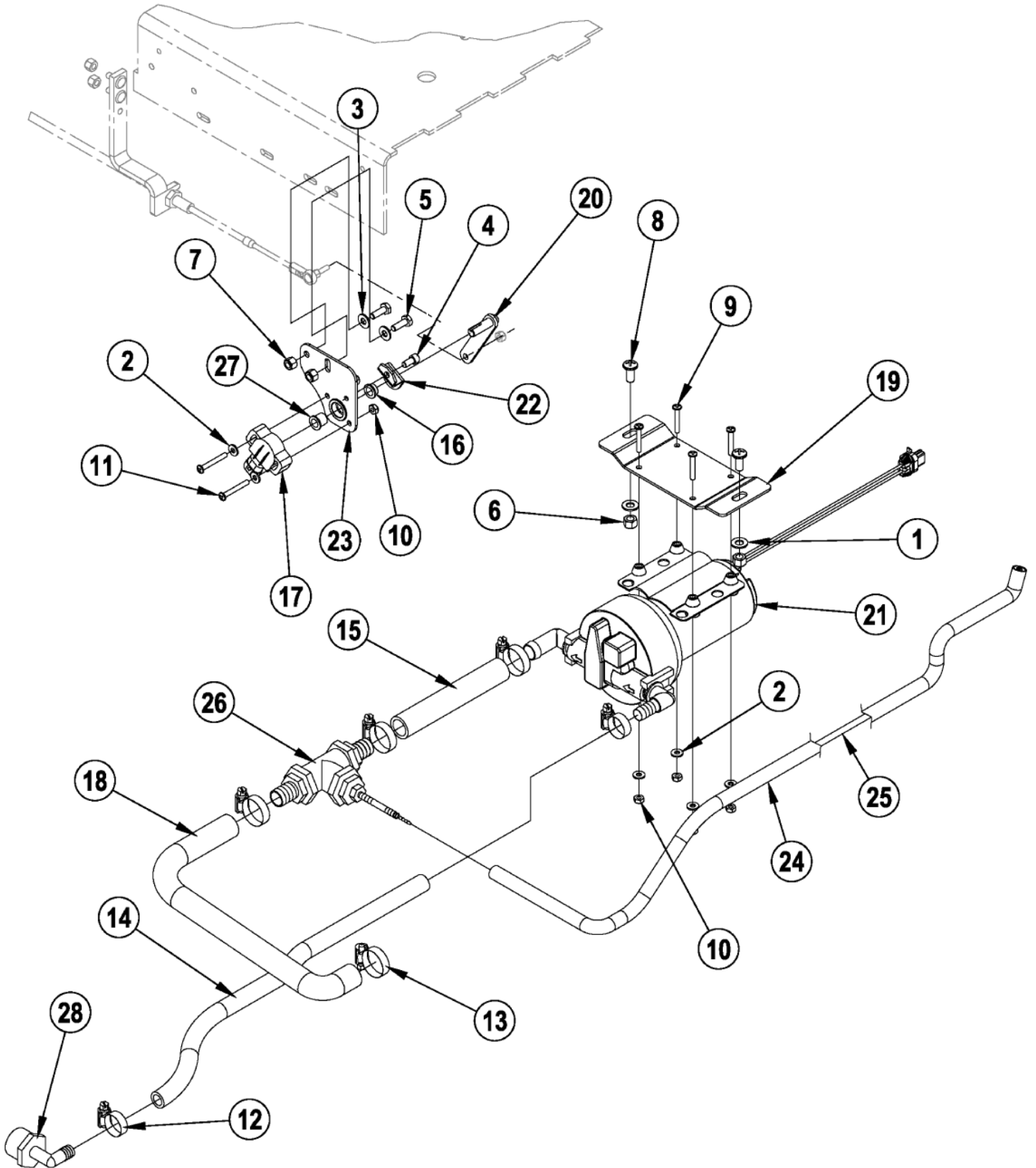
Chemical injection kit-12VDC (pump assy) - Accè

CR 1100/1200/1400

16-02-2015

ID Liste de pièces
E149145

292



Chemical injection kit-12VDC (pump assy) - Acc

CR 1100/1200/1400

16-02-2015

ND Liste de pièces
E149145

293

Pos	Réf. Pièce	Qté	Description
	56306149	1	PUMP ASSY 12 VDC
1	56001939	2	RONDELLE PLATE SAE 5/16
2	56001954	6	ONDELLE
3	56002098	2	LAQUE DE SUPPORT 1/4
4	56002115	1	SCR SOC HD 1/4-20 X .50
5	56002155	2	VIS 1/4 20X.75
6	56002701	2	VIS 5/16 18 X 62
7	56002708	2	LIQUET D ARRÊT 1/4 20
8	56002793	2	VIS 5/16-18X0.75
9	56002824	4	SCR PAN PHIL 10-24X1.25
10	56002832	6	ECROU
11	56003574	2	SCR PAN PHIL SS 10 24X1.50
12	56219932	2	COLLIER DE FIXATION
13	56244969	4	FIXATION TUYAU SAE 12 E00
14	56412277	1	FLEXIBLE DE VIDANGE
15	56305762	1	HOSE SPIRAL E00605
16	56303285	1	ROULEMENT 0.500 X 0.375 X 0.250
17	56303313	1	POTENTIOMETRE (R4)
18	56305591	1	HOSE SPIRAL .750 E00605
19	56306122	1	MOUNT PUMP
20	56306129	1	CONTROL ARM WELDT
21	56306140	1	POMPE 12VDC 60PSI (M6)
22	56306162	1	BRACKET PIVOT
23	56306165	1	PIVOT SENSOR WELT
24	56306168	1	CONDUIT SOLUTION HOSE 44LG
25	56314942	1	TUYAU POMPE KIT CHIMIE EMBARQUE
26	56306194	1	RACCORD EN T DE POMPE EDS
27	56508737	1	BEARING FL .500 X .375 X .500
28	56900245	1	BARB ELBOW E00037

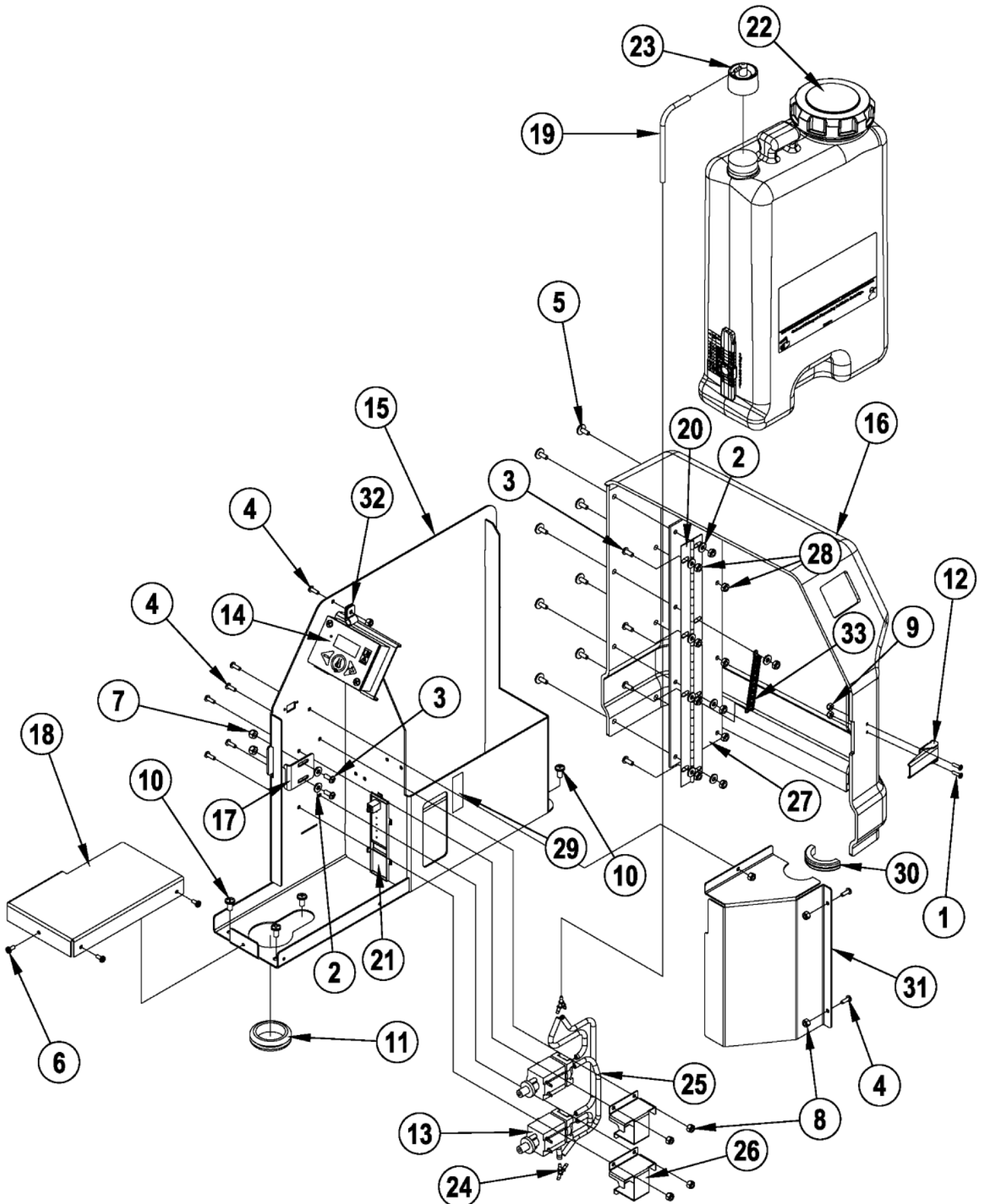
Chemical injection kit-36VDC (control box assy)

CR 1100/1200/1400

16-02-2015

ID Liste de pièces
E149147

294



Chemical injection kit-36VDC (control box assy

CR 1100/1200/1400

16-02-2015

ID Liste de pièces
E149147

295

Pos	Réf. Pièce	Qté	Description
	56306197	1	CONTROL BOX ASSY 36V
1	56001830	2	SCR PAN PHIL 6 32 X .50
2	56001954	10	ONDELLE
3	56001993	6	VIS TETE PL PHIL 10 24X 5
4	56002003	8	VIS 8 32 X 5
5	56009100	8	VIS SANS TETE BLK 10 24
6	56002523	3	SCR PAN HD PHIL HP5 8-32 X .38
7	56002768	2	ECROU 10 24
8	56002808	8	NUT HEX NYL LOC 8-32
9	56002830	2	ECROU 6 32
10	56009033	5	VIS 6 PANS 1/4 20 X 50
11	56054715	1	GROMMET E00059
12	56109591	1	LATCH NOTE 1
13	56110742	2	POMPE SOLUTION 2
14	56306195	1	CARTE ELECTRONIQUE 36V DU SYSTEME EDS
15	56306124	1	BOX WELDMENT CHEMICAL
16	56306133	1	COVER CHEMICAL INJECTION
17	56306147	1	CATCH
18	56306148	1	COVER
19	56306169	1	HOSE CHEM RESISTANT 17.00
20	56306181	1	HINGE
21	56315340	1	CAPTEUR CPLT
22	56315517	1	BOUCHON NOIR NOT SHOWN
22	56315690	1	CAP 38MM BUTTRESS NOT SHOWN
22	56413119	1	RESERVOIR EDS 9 LITRES NOT SHOWN
22	56413784	1	TUYAU DE RESERVOIR NOT SHOWN
22	56413999	1	BOUEILLE ESD SOLUTION 9L CPLT BR1100-13
23	56315523	1	BOUCHON 1/8 GRIS
24	56413691	2	CONNECTEUR Y DE SOLUTION
25	56413693	4	TUYAU RESIST.PROD.CHIMIQUES
26	56413775	2	BRACKET PUMP MOUNT
27	56306191	1	PLATE REINFORCING
28	56002832	12	ECROU
29	56016331	1	DECAL CHEMICAL RATIO
30	56344621	1	OEILLET
31	56306198	1	PUMP COVER
32	56300152	1	FIXATION CABLE
33	56379301	1	SPRING EXT .37X3.62CR211J
33	56478246	1	RACC CABLE NOT SHOWN
100	56306197	1	CONTROL BOX ASSY 36V NOT SHOWN
101	56306160	1	PUMP ASSY 36 VDC NOT SHOWN
103	56306167	1	HARNESS BATTERY CAPTOR AXP NOT SHOWN

NOTE 1: Latch 56109591 is the replacement for Latch 56054856. To replace a 56054856 Latch; remove the old latch, line up the new latch 56109591 with the catch, use the latch as a template to mark and drill the new

Chemical injection kit-36VDC (control box assy

CR 1100/1200/1400

16-02-2015

ID Liste de pièces
E149147

296

Pos	Réf. Pièce	Qté	Description	
104	56387316	1	DISJONCTEUR 10A	NOT SHOWN
105	56459367	1	BOUTON DE REMISE A ZERO	NOT SHOWN
106	56009039	1	VIS HEX THD FORM 10 24X 5	NOT SHOWN
107	56303588	1	PLATE CIRCUIT BREAKER MOUNT	NOT SHOWN
108	56303589	1	DECAL CIRCUIT BREAKER	NOT SHOWN
109	56051474	1	CLAMP. P E00129	NOT SHOWN
110	56305232	1	GASKET	NOT SHOWN
111	56459825	1	REDUCTEUR	NOT SHOWN
112	56306179	2	DECAL CR1200 EDS	NOT SHOWN
113	56306180	2	DECAL CR1400 EDS	NOT SHOWN

NOTE 1: Latch 56109591 is the replacement for Latch 56054856. To replace a 56054856 Latch; remove the old latch, line up the new latch 56109591 with the catch, use the latch as a template to mark and drill the new

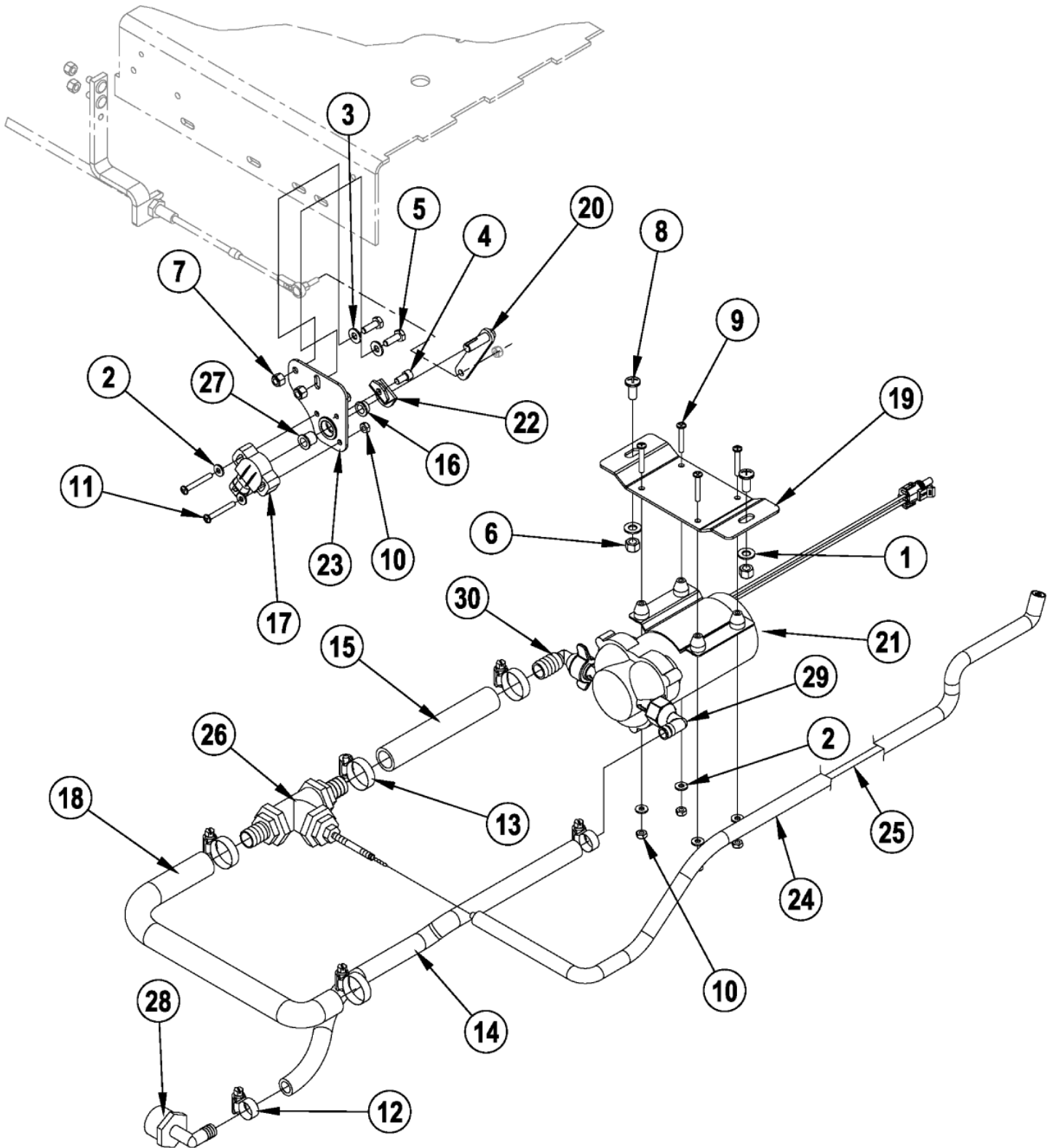
Chemical injection kit-36VDC (pump assy) - Accè

CR 1100/1200/1400

16-02-2015

ID Liste de pièces
E149149

297



Chemical injection kit-36VDC (pump assy) - Acc

CR 1100/1200/1400

16-02-2015

ND Liste de pièces
E149149

298

Pos	Réf. Pièce	Qté	Description
	56306160	1	PUMP ASSY 36 VDC
1	56001939	2	RONDELLE PLATE SAE 5/16
2	56001954	6	ONDELLE
3	56002098	2	LAQUE DE SUPPORT 1/4
4	56002115	2	SCR SOC HD 1/4-20 X .50
5	56002155	2	VIS 1/4 20X.75
6	56002701	2	VIS 5/16 18 X 62
7	56002708	2	LIQUET D ARRÊT 1/4 20
8	56002793	2	VIS 5/16-18X0.75
9	56002824	4	SCR PAN PHIL 10-24X1.25
10	56002832	6	ECROU
11	56003574	2	SCR PAN PHIL SS 10 24X1.50
12	56219932	2	COLLIER DE FIXATION
13	56244969	4	FIXATION TUYAU SAE 12 E00
14	56412277	1	FLEXIBLE DE VIDANGE
15	56305762	1	HOSE SPIRAL E00605
16	56303285	1	ROULEMENT 0.500 X 0.375 X 0.250
17	56303313	1	POTENTIOMETRE (R2)
18	56305591	1	HOSE SPIRAL .750 E00605
19	56306122	1	MOUNT PUMP
20	56306129	1	CONTROL ARM WELDT
21	56413810	1	POMPE CPLT SOLUTION 36V (M17)
22	56306162	1	BRACKET PIVOT
23	56306165	1	PIVOT SENSOR WELT
24	56306168	1	CONDUIT SOLUTION HOSE 44LG
25	56314942	1	TUYAU POMPE KIT CHIMIE EMBARQUE
26	56306194	1	RACCORD EN T DE POMPE EDS
27	56508737	1	BEARING FL .500 X .375 X .500
28	56900245	1	BARB ELBOW E00037
29	56261246	1	COUDE
30	56306146	1	ELBOW POLY 1/2 X 3/4

56305509 - Temperature Switch Kit

CR 1100/1200/1400

16-02-2015

ID Liste de pièces
IS56040799

299

FIGURE 2

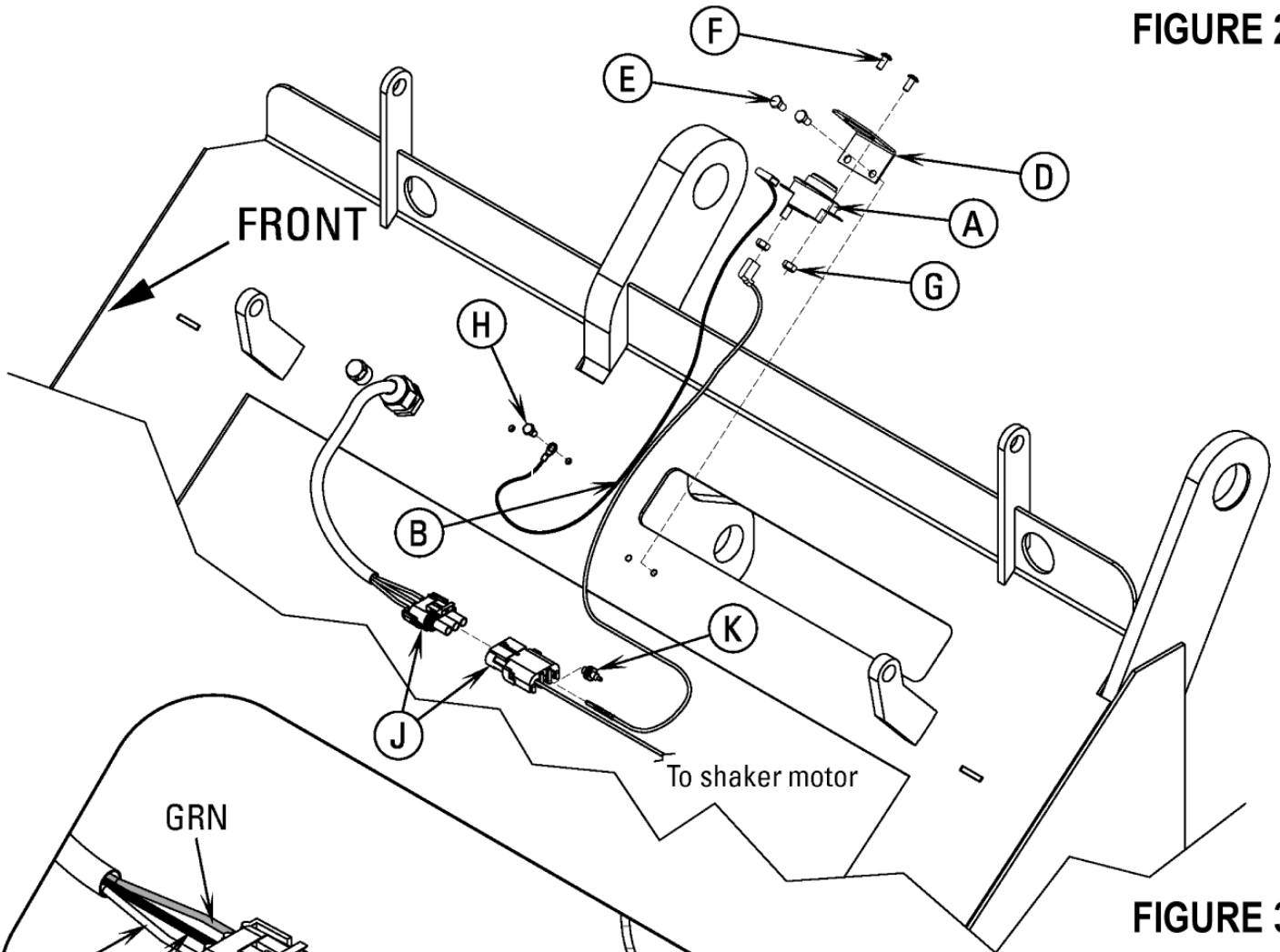
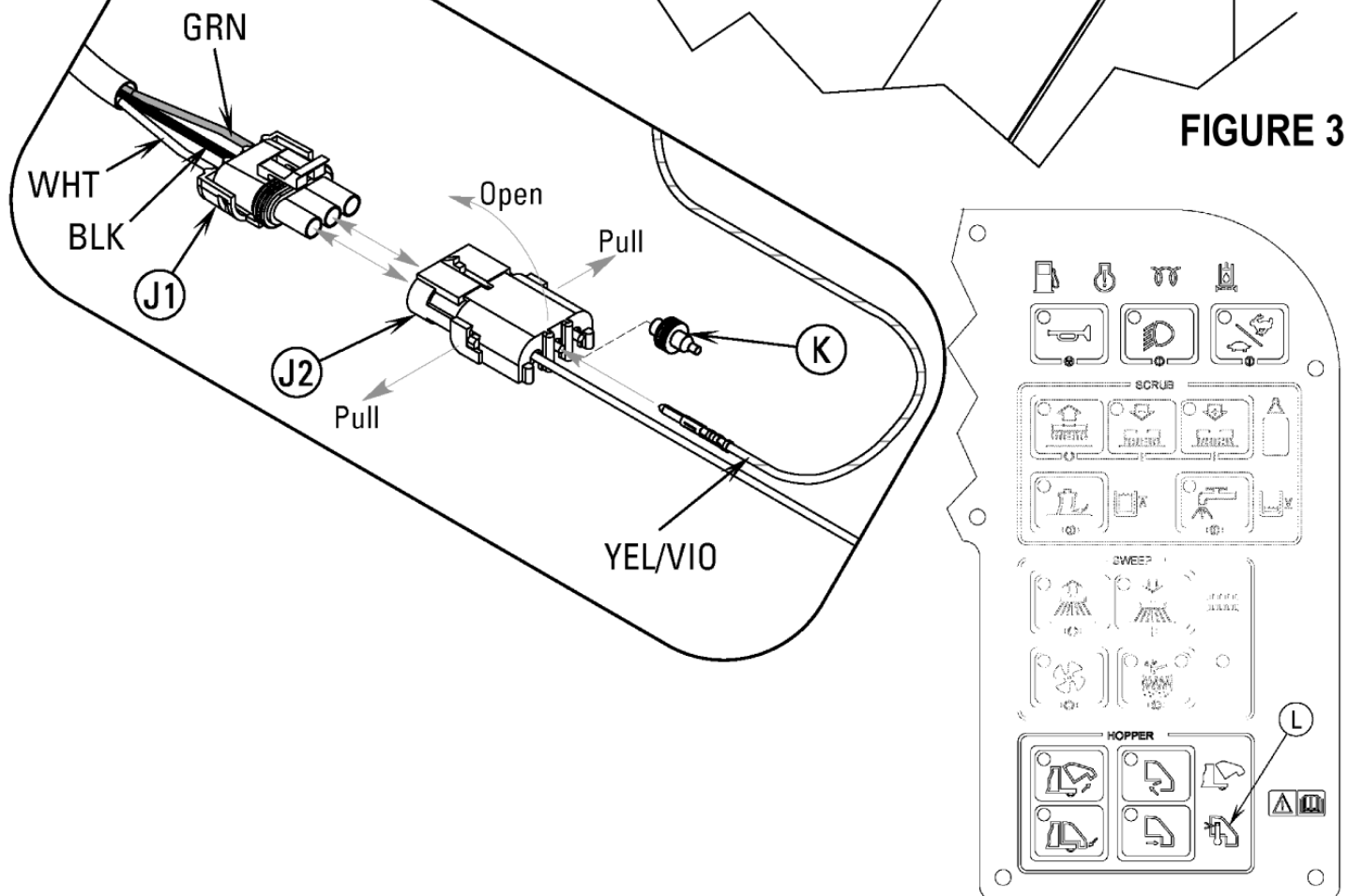


FIGURE 3



56305509 - Temperature Switch Kit

CR 1100/1200/1400

16-02-2015

ID Liste de pièces
1556040799

300

Pos	Réf. Pièce	Qté	Description
A	56418405	1	CONTACT TEMPERATURE
B	56304760	1	HARNESS TEMPERATURE SWITCH
C	56478246	2	RACC CABLE
D	56418440	1	BRACKET
E	56009012	2	VIS 10 24X.38
F	56001818	2	SCR PAN PHIL 8 32 X .38
G	56002865	2	NUT HEX NYL LOC-THIN 8-32

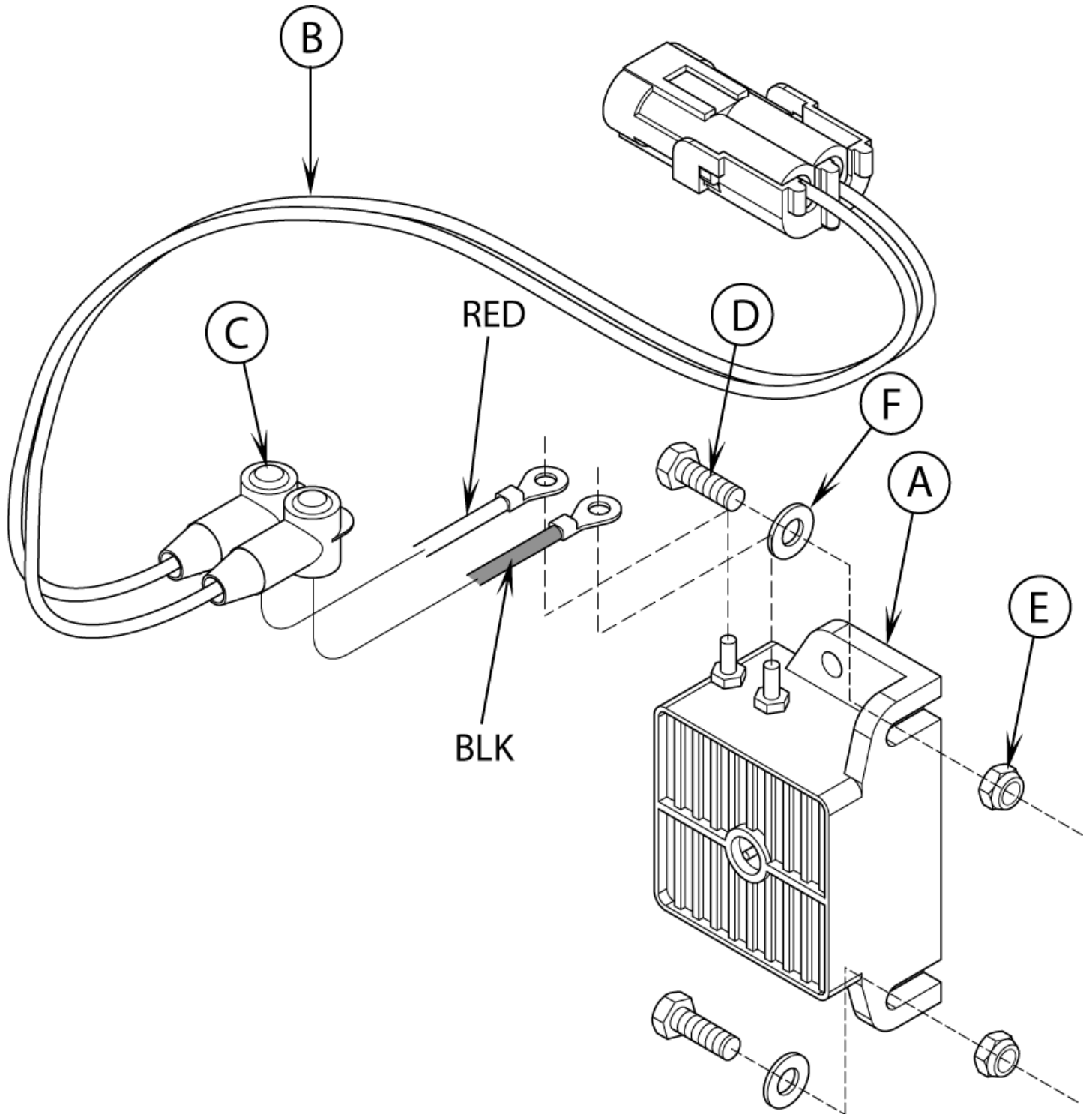
56305519 - Back-up Alarm Kit

CR 1100/1200/1400

16-02-2015

ID Liste de pièces
IS56040800

301



56305519 - Back-up Alarm Kit

CR 1100/1200/1400

16-02-2015

ID Liste de pièces
1556040800

302

Pos	Réf. Pièce	Qté	Description
0	56305519	1	AVERTISSEUR SONORE REcul
A	56409232	1	CENTRALE ALARM
B	56409495	1	WIRE ASSY PIGTAEL
C	56409538	2	BORNE IISOLANT
D	56009018	2	VIS SANS TETE 1/4 20
E	56002708	2	LIQUET D ARRÊT 1/4 20
F	56002098	2	LAQUE DE SUPPORT 1/4

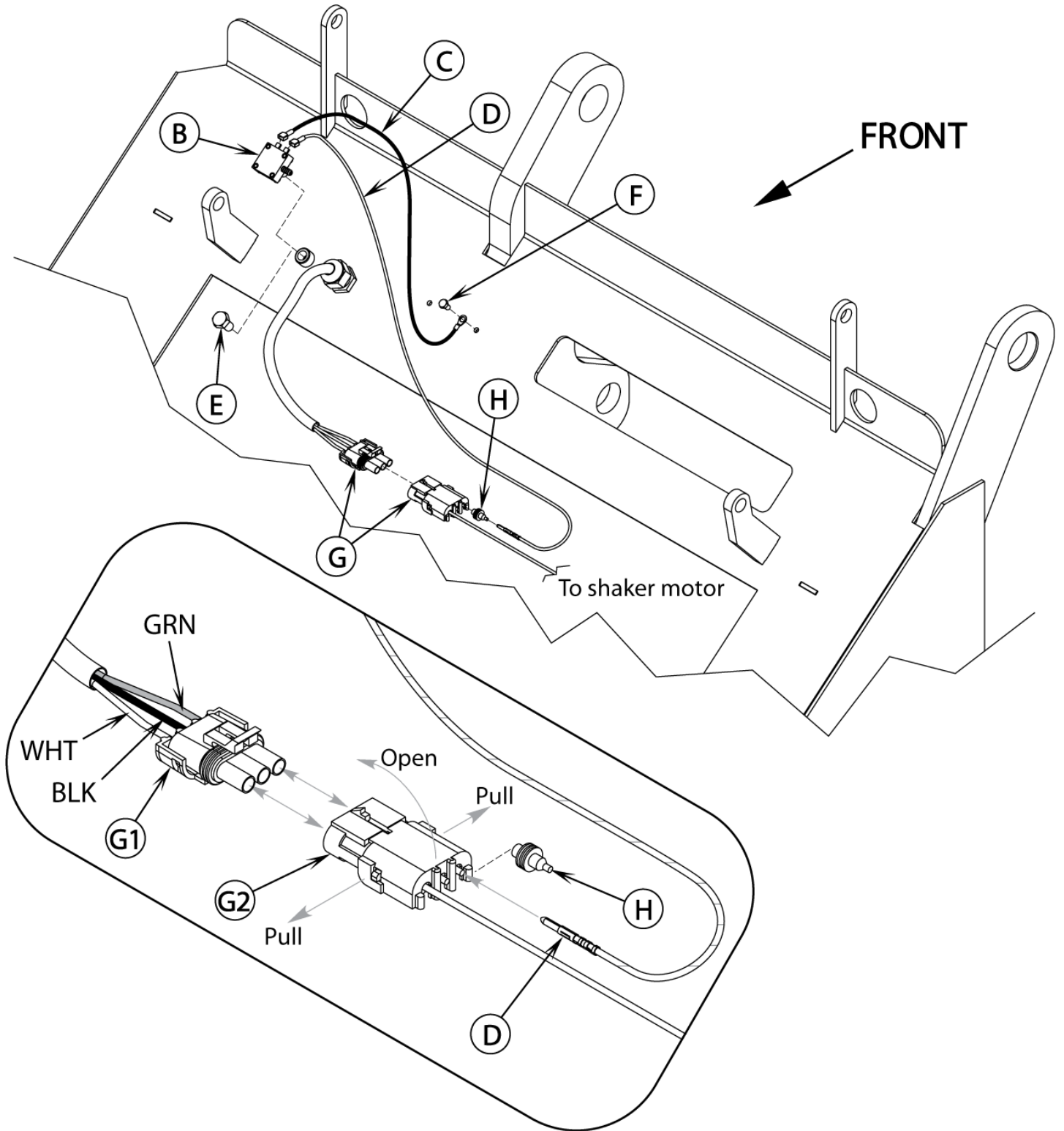
56305517 - Hopper Filter Switch Kit

CR 1100/1200/1400

16-02-2015

ID Liste de pièces
IS56040801

303



56305517 - Hopper Filter Switch Kit

CR 1100/1200/1400

16-02-2015

ID Liste de pièces
1556040801

304

Pos	Réf. Pièce	Qté	Description
A	56478246	2	RACC CABLE
B	56305518	1	SWITCH VACUUM
C	56305479	1	BLK 18-9 WIRE ASSEMBLY
D	56305478	1	WHT/GRA 18-2 WIRE ASSEMBLY

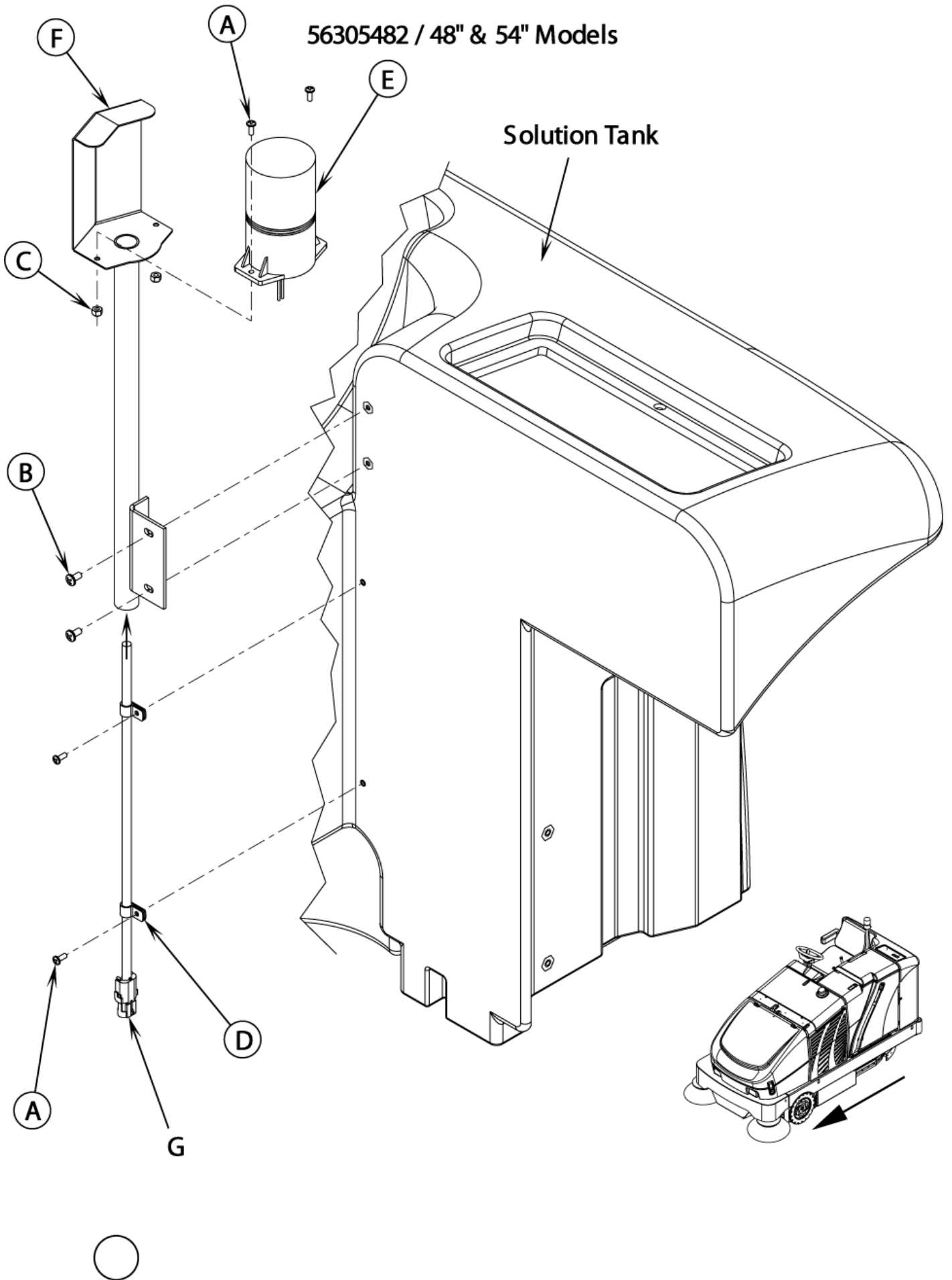
56305482 - Beacon Kit 48" and 54" models

CR 1100/1200/1400

16-02-2015

ID Liste de pièces
IS56040802P2

305



56305482 - Beacon Kit 48" and 54" models

CR 1100/1200/1400

16-02-2015

ID Liste de pièces
IS56040802P2

306

Pos	Réf. Pièce	Qté	Description
A	56001993	4	VIS TETE PL PHIL 10 24X 5
B	56002145	2	VIS 1/4 20 X 0 38
C	56002768	2	ECROU 10 24
D	56172017	2	SUPPORT CLIP
E	56305223	1	GYROPHARE SANS SUPPORT
F	56305481	1	SUPPORT GYROPHARE
G	56305513	1	HARNES BEACON

56305881 - Beacon Kit 43" models

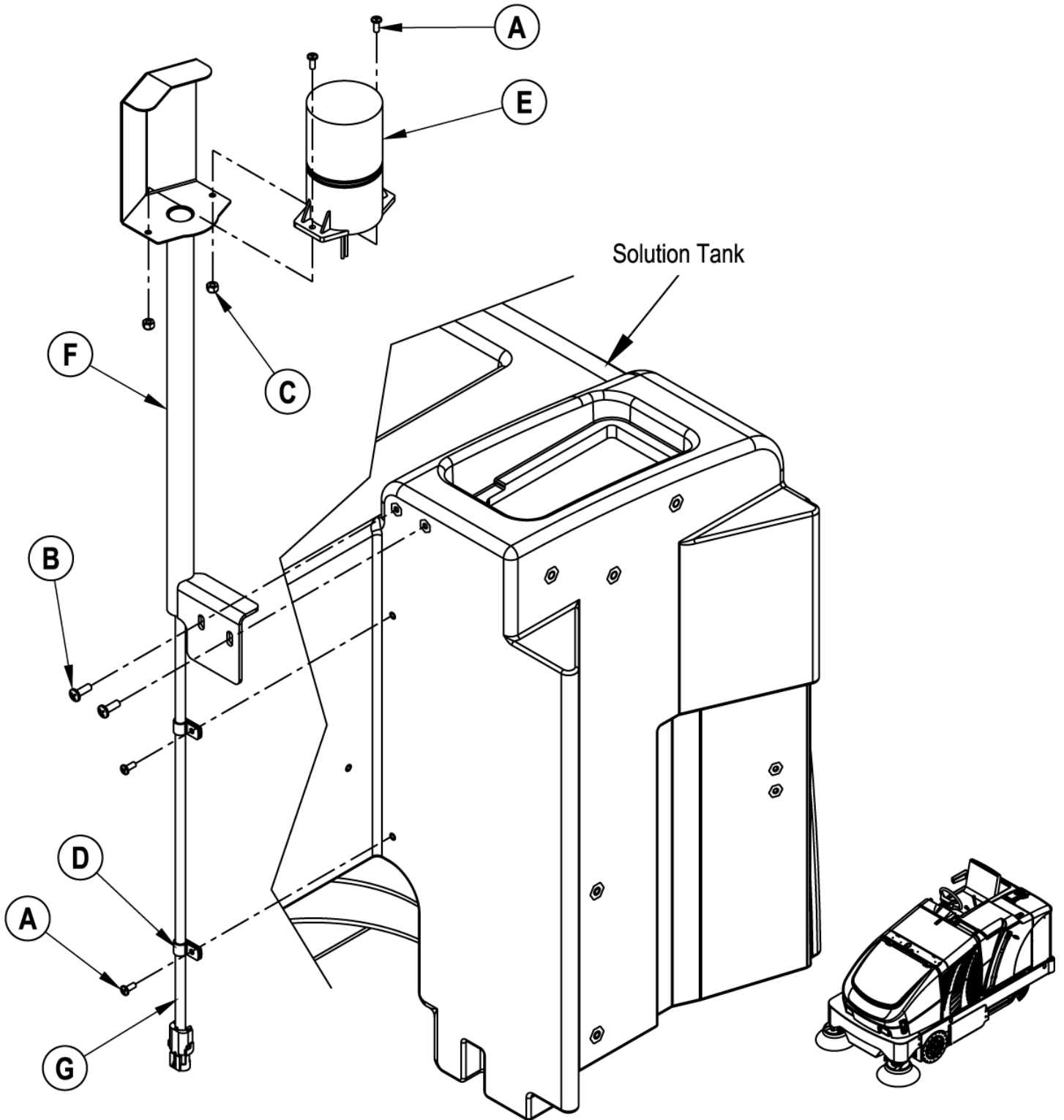
CR 1100/1200/1400

16-02-2015

ID Liste de pièces
IS56040802P3

307

56305881 / 43" Models



56305881 - Beacon Kit 43" models

CR 1100/1200/1400

16-02-2015

ID Liste de pièces
IS56040802P3

308

Pos	Réf. Pièce	Qté	Description
A	56001993	4	VIS TETE PL PHIL 10 24X 5
B	56002145	2	VIS 1/4 20 X 0 38
C	56002768	2	ECROU 10 24
D	56172017	2	SUPPORT CLIP
E	56305223	1	GYROPHARE SANS SUPPORT
F	56305883	1	BEACON MOUNT WELDMENT 60
G	56305513	1	HARNESS BEACON

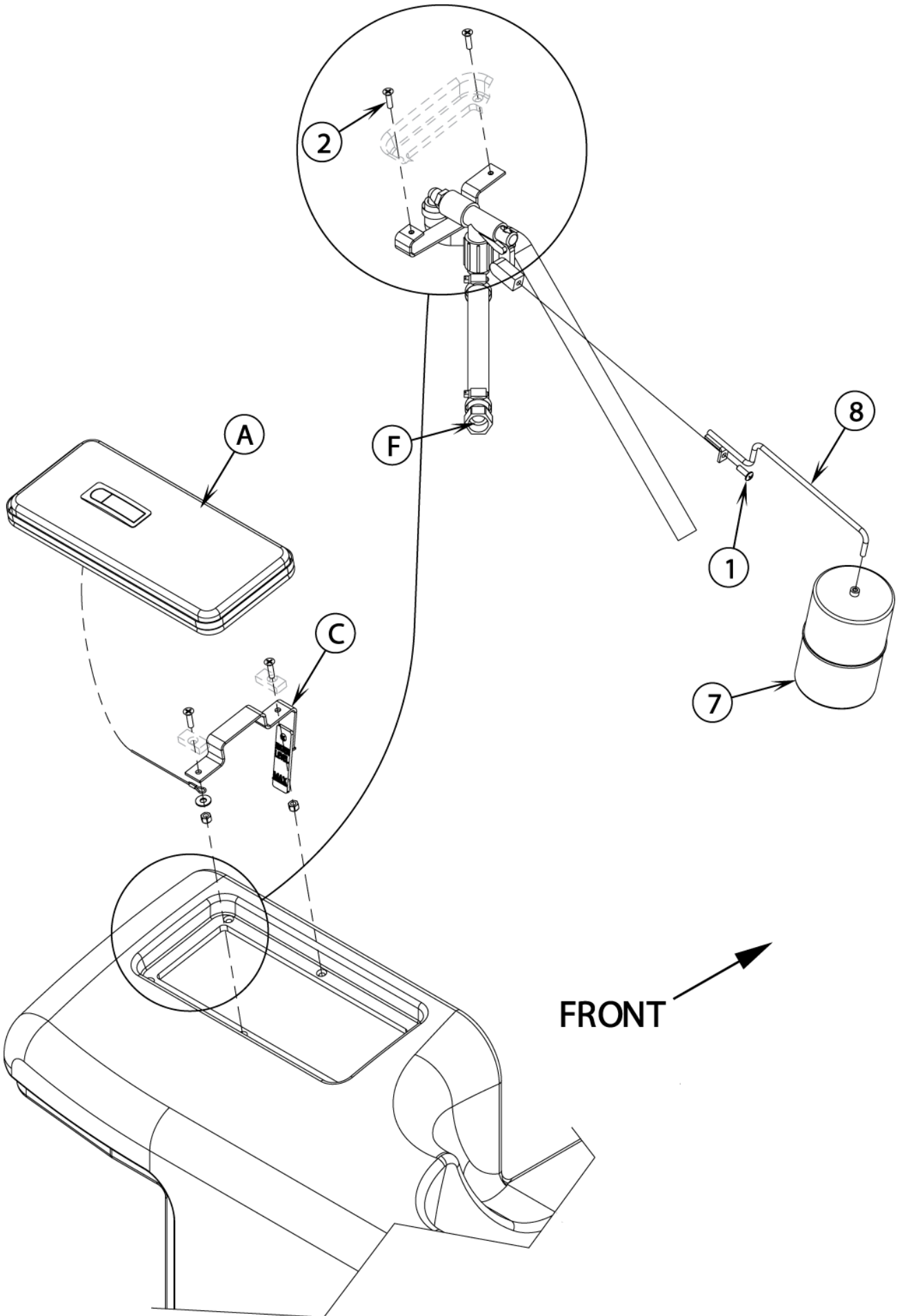
56305585 - Solution Fill Shutoff Kit

CR 1100/1200/1400

16-02-2015

ID Liste de pièces
IS56040805

309



56305585 - Solution Fill Shutoff Kit

CR 1100/1200/1400

16-02-2015

ID Liste de pièces
1556040805

310

Pos	Réf. Pièce	Qté	Description
1	56002957	1	VIS 1/4 20 X 0 7
2	56003074	2	VIS TETE PL PHIL INOX
3	56244969	3	FIXATION TUYAU SAE 12 E00
4	56456802	2	COUDE MF 3/4X3/4
5	56305318	1	HOSE 10.5 SPIRAL E00605
6	56305566	1	VALVE FLOAT
7	56305572	1	FLOAT 4 X 6
8	56305586	1	FLOAT ARM WELDMENT
9	56305896	1	KIT ARRET AUTO REMPLIS. RESERVOIR SOLUTI
10	56305599	1	FITTING GH TO BARB
11	56305636	1	COUPLING 3/4 NPT PVC
12	56459674	1	FLEXIBLE

NOTE 1: All items except (1, 2, 7 & 8) are pre-assembled.

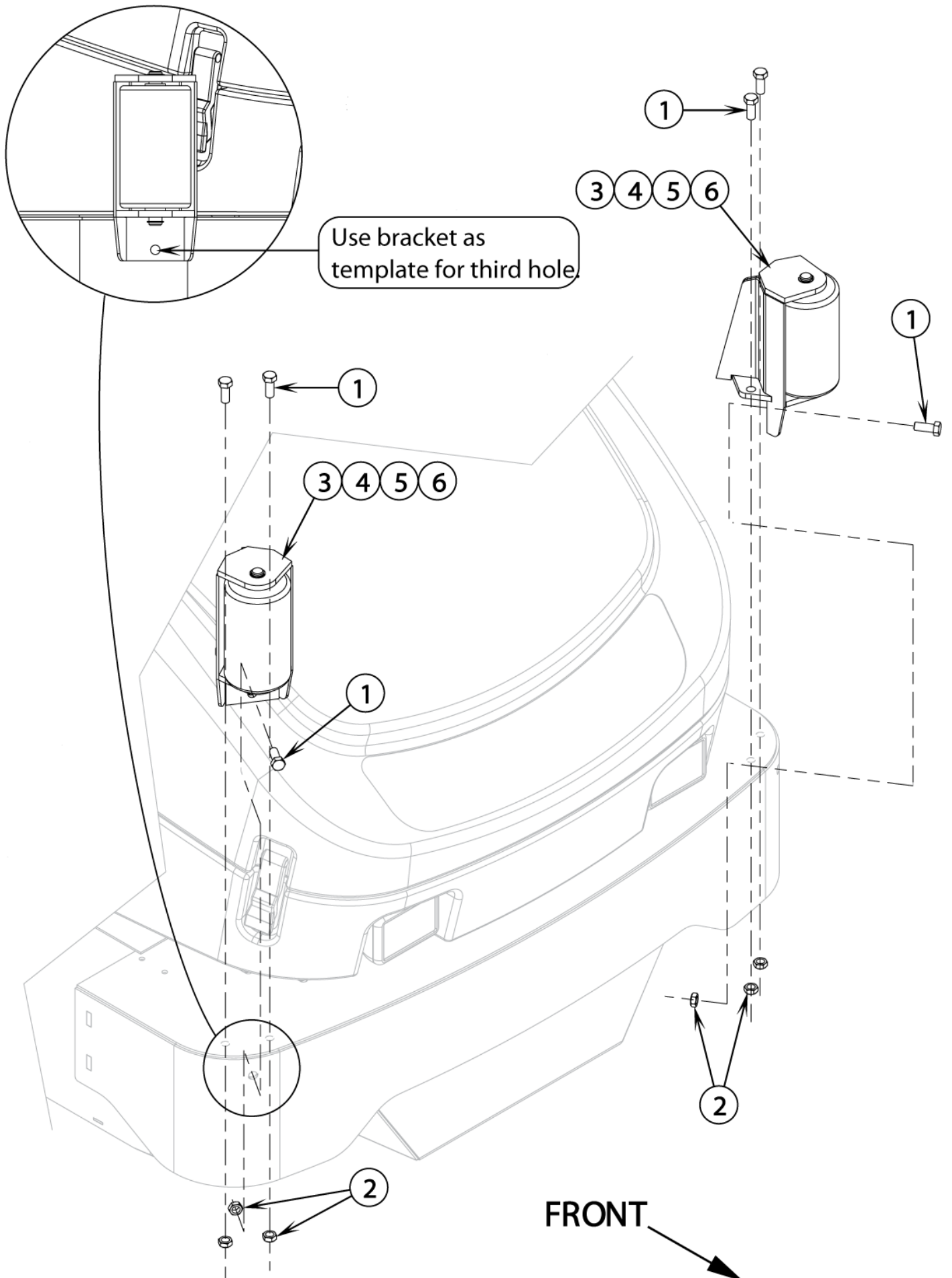
56305493 - Tower Bumper Kit

CR 1100/1200/1400

16-02-2015

ID Liste de pièces
IS56040806

311



56305493 - Tower Bumper Kit

CR 1100/1200/1400

16-02-2015

ID Liste de pièces
1556040806

312

Pos	Réf. Pièce	Qté	Description
1	56001831	6	VIS 1/2 13X1.25
2	56002843	6	ECROU 1/2 13
3	56003266	4	ANNEAU RET EXT TYPE E
4	56409335	2	PARE CHOCS TENDEUR
5	56409336	2	AXE
6	56305332	2	ROLLER BUMPER BRACKET WELDMENT

NOTE: Items 3, 4, 5 & 6 are pre-assembled.

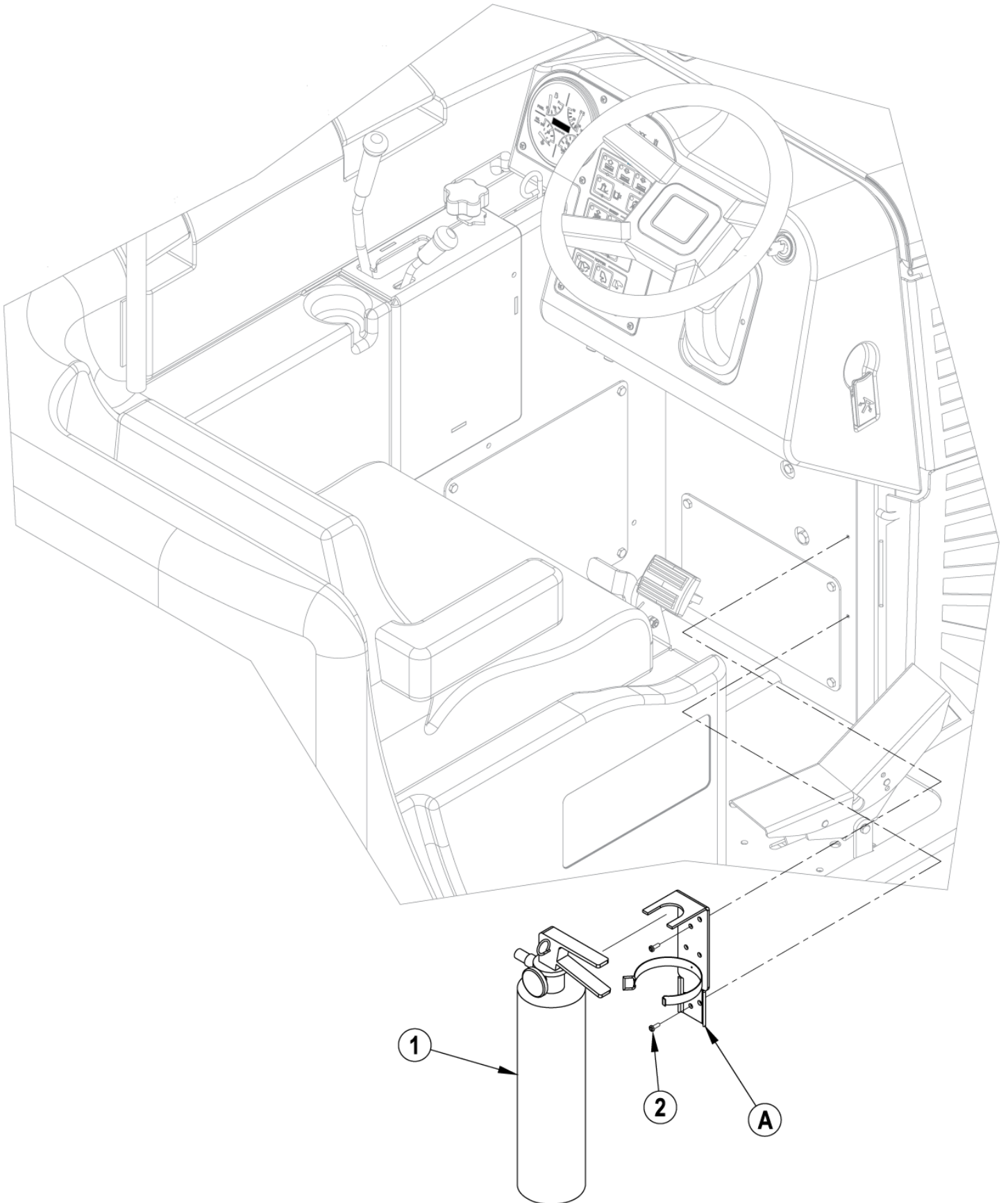
56305621 - Fire Extinguisher Kit

CR 1100/1200/1400

16-02-2015

ID Liste de pièces
IS56040807

313



56305621 - Fire Extinguisher Kit

CR 1100/1200/1400

16-02-2015

ID Liste de pièces
1556040807

314

Pos	Réf. Pièce	Qté	Description
1	8-83-04033	1	EXTINCTEUR
2	56009019	4	VIS 1/4 20 X 0 38

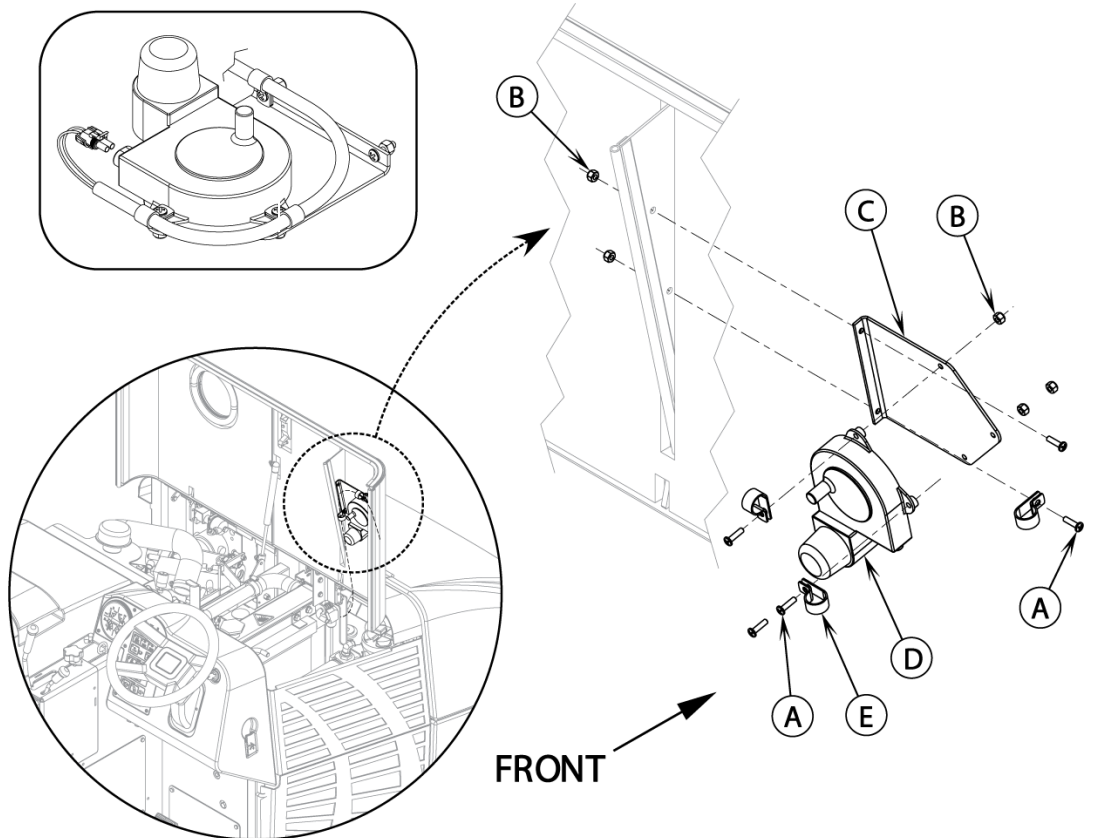
56305628 - Underhood Light Kit

CR 1100/1200/1400

16-02-2015

ID Liste de pièces
IS56040808

315



56305628 - Underhood Light Kit

CR 1100/1200/1400

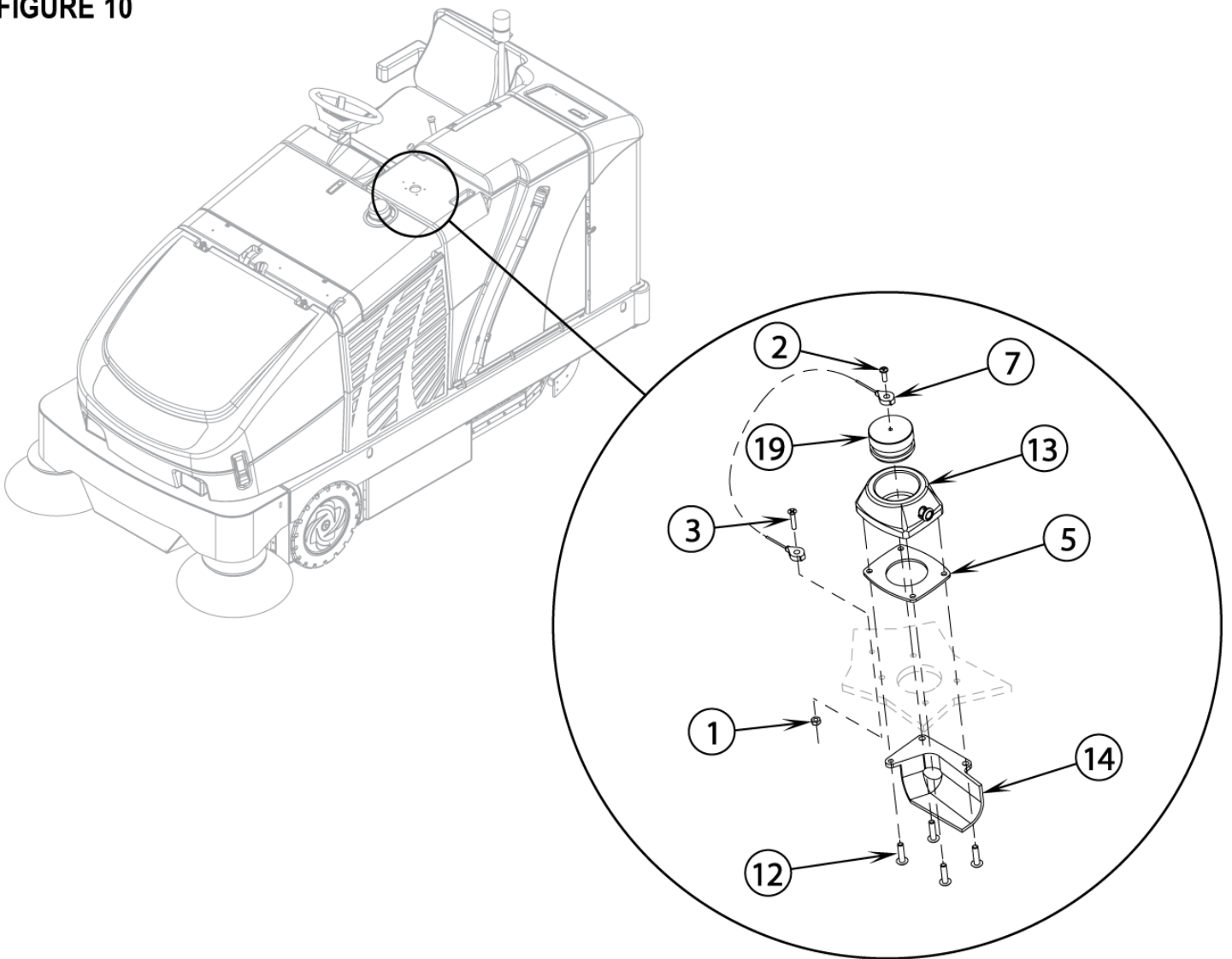
16-02-2015

ID Liste de pièces
1556040808

316

Pos	Réf. Pièce	Qté	Description
A	56002192	5	VIS SUPPORT EMBOUCHURE
B	56002768	5	ECROU 10 24
C	56305626	1	BRACKET LIGHT MOUNT
D	56305627	1	TROUBLE LAMP
E	56172017	3	SUPPORT CLIP

FIGURE 10



56305530 - Vacuum Wand Kit for CR 1200, 140

CR 1100/1200/1400

16-02-2015

ID Liste de pièces
IS56040809F IG10

318

Pos	Réf. Pièce	Qté	Description
1	56002849	1	ECROU HEX NYL LOC THIN
2	56002896	1	VIS 10 24 X 0 62 INOX
3	56002917	1	ECROU
5	56201390	1	JOINT HP29G 1
7	56325240	1	CABLE DE MAINTIEN PLAT.BROSSEUR
12	56009006	4	VIS TYPE AB10X16
13	56205821	1	ENSEMBLE CONNECTEUR
14	56205829	1	DEFLECTEUR
19	56456078	1	PRISE

56305530 - Vacuum Wand Kit for CR 1100

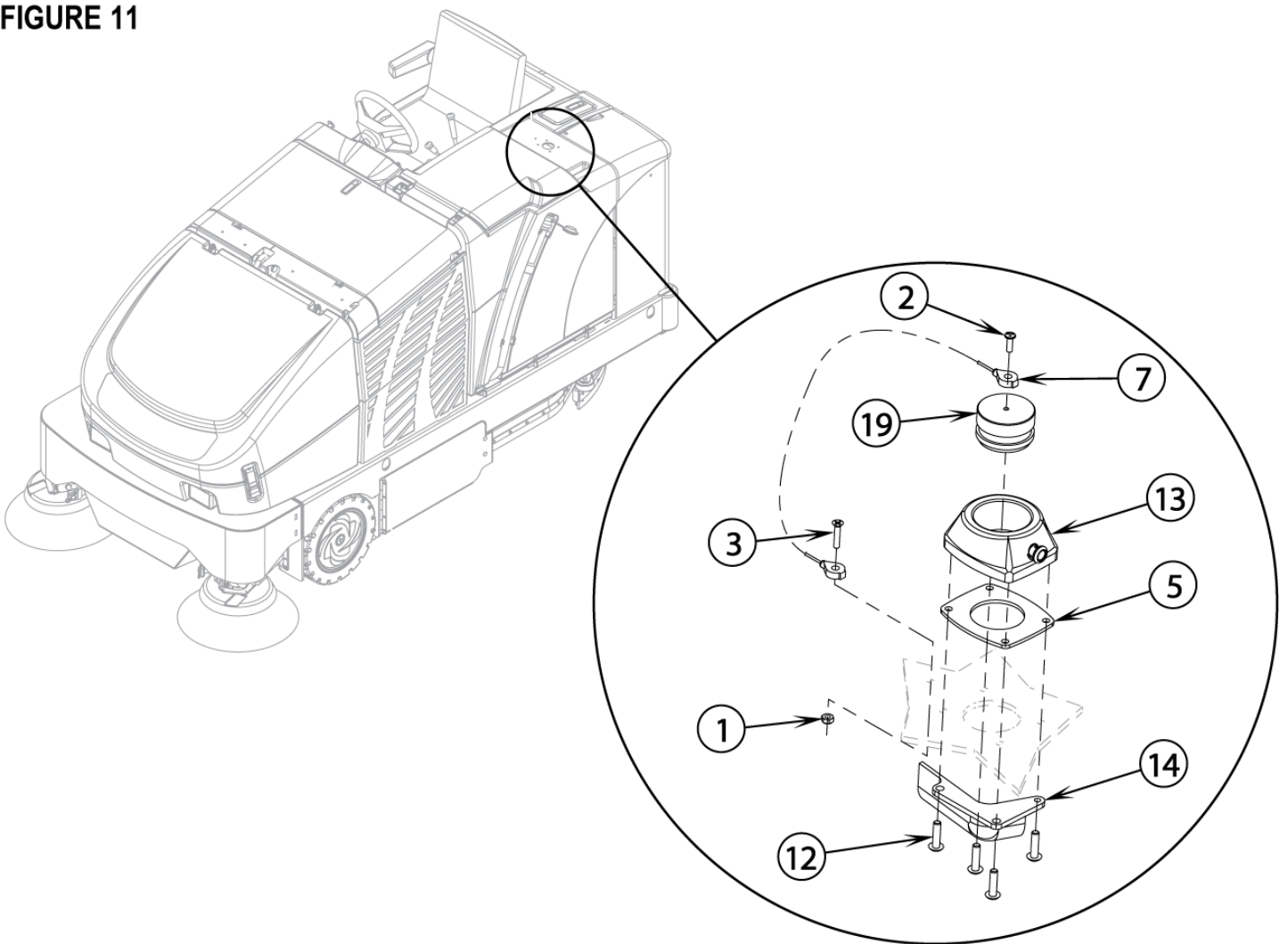
CR 1100/1200/1400

16-02-2015

ID Liste de pièces
IS56040809FIG11

319

FIGURE 11



56305530 - Vacuum Wand Kit for CR 1100

CR 1100/1200/1400

16-02-2015

ID Liste de pièces
IS56040809H-IG11

320

Pos	Réf. Pièce	Qté	Description
1	56002849	1	ECROU HEX NYL LOC THIN
2	56002896	1	VIS 10 24 X 0 62 INOX
3	56002917	1	ECROU
5	56201390	1	JOINT HP29G 1
7	56325240	1	CABLE DE MAINTIEN PLAT.BROSSEUR
12	56009006	4	VIS TYPE AB10X16
13	56205821	1	ENSEMBLE CONNECTEUR
14	56205829	1	DEFLECTEUR
19	56456078	1	PRISE

56305530 - Vacuum Wand Kit for CR 1200, 140

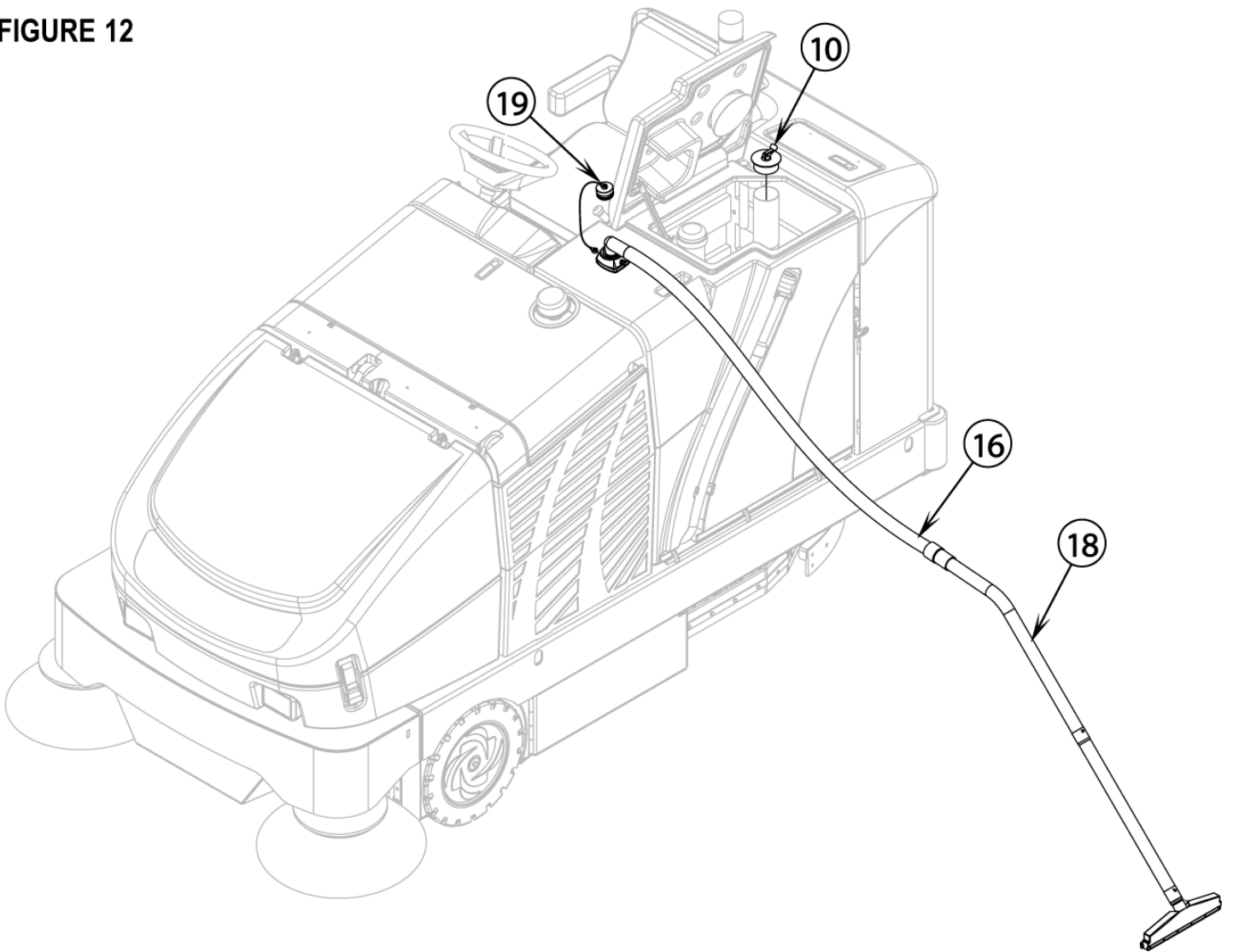
CR 1100/1200/1400

16-02-2015

ID Liste de pièces
IS56040809FIG12

321

FIGURE 12



56305530 - Vacuum Wand Kit for CR 1200, 140

CR 1100/1200/1400

16-02-2015

ID Liste de pièces
IS56040809HIG12

322

Pos	Réf. Pièce	Qté	Description
10	56462703	1	BOUCHON DE TROP PLEIN
16	56305539	1	FLEXIBLE ASPIRATION AQUA
18	56305605	1	WAND ASSEMBLY
19	56456078	1	PRISE

56305530 - Vacuum Wand Kit for CR 1100

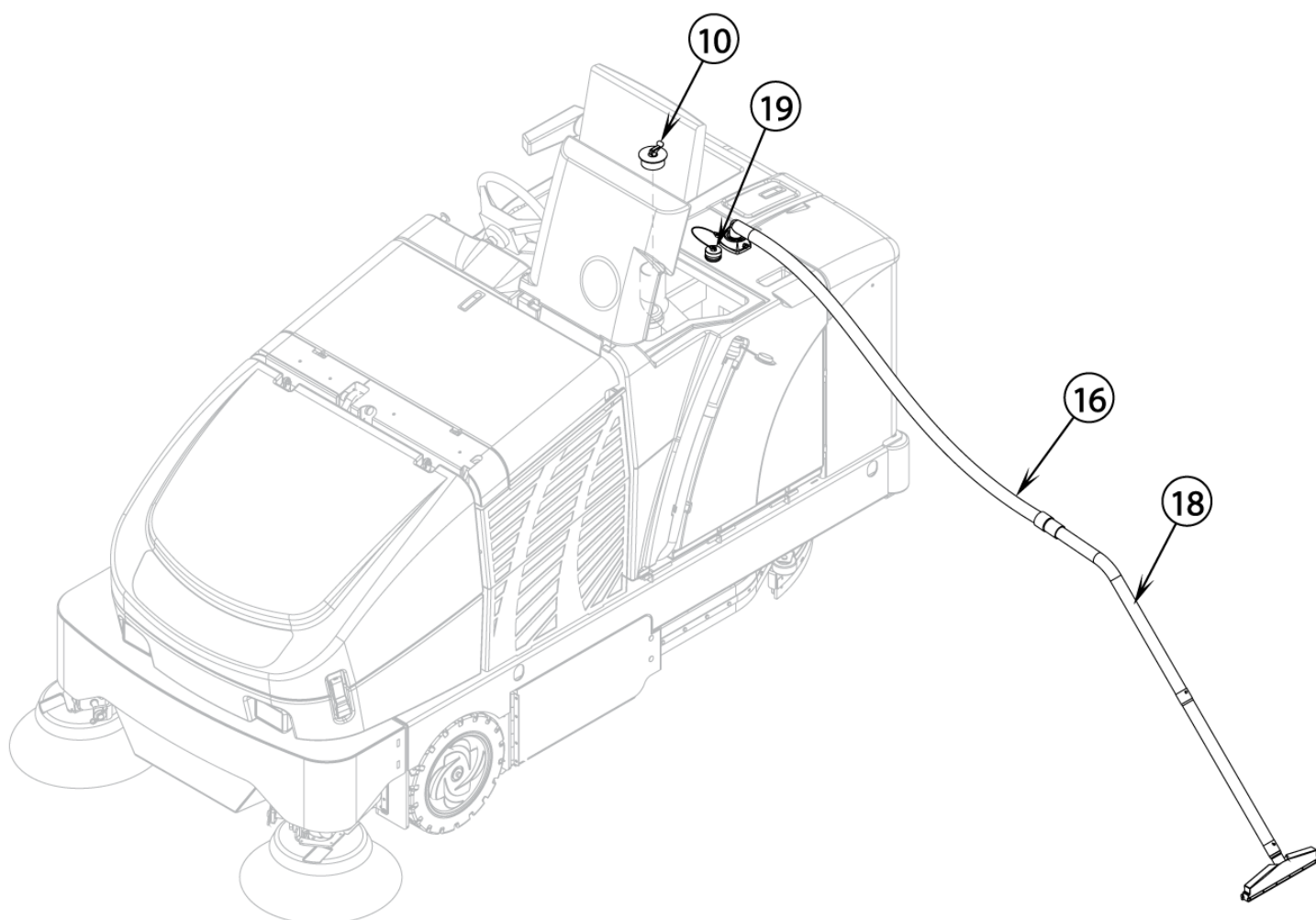
CR 1100/1200/1400

16-02-2015

ID Liste de pièces
IS56040809FIG13

323

FIGURE 13



56305530 - Vacuum Wand Kit for CR 1100

CR 1100/1200/1400

16-02-2015

ID Liste de pièces
IS56040809H IG13

324

Pos	Réf. Pièce	Qté	Description
10	56462703	1	BOUCHON DE TROP PLEIN
16	56305539	1	FLEXIBLE ASPIRATION AQUA
18	56305605	1	WAND ASSEMBLY
19	56456078	1	PRISE

56305530 - Vacuum Wand Kit

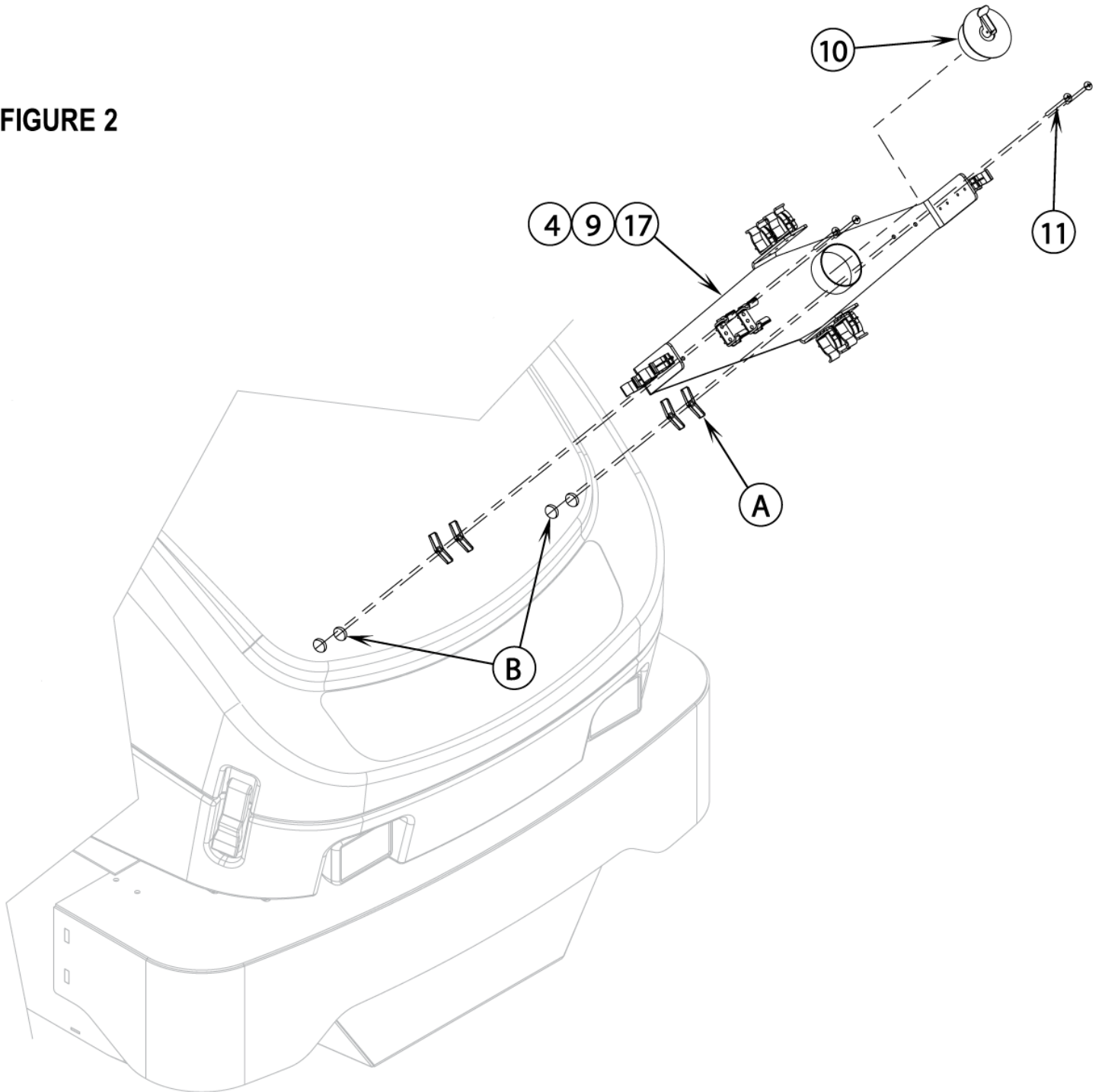
CR 1100/1200/1400

16-02-2015

ID Liste de pièces
IS56040809FIG2

325

FIGURE 2



56305530 - Vacuum Wand Kit

CR 1100/1200/1400

16-02-2015

ID Liste de pièces
IS56040809F-IGZ

326

Pos	Réf. Pièce	Qté	Description
1	56002849	1	ECROU HEX NYL LOC THIN
2	56002896	1	VIS 10 24 X 0 62 INOX
3	56002917	1	ECROU
4	56009030	32	VIS TETE PLATE CRUCIFORME
5	56201390	1	JOINT HP29G 1
6	56209321	1	INTERRUPTEUR
7	56325240	1	CABLE DE MAINTIEN PLAT.BROSSEUR
8	56392171	6	FIXATION PLASTIC
9	56407361	10	ACCROCHE FLEXIBLE
10	56462703	1	BOUCHON DE TROP PLEIN
11	56003676	4	BOLT TOGGLE .25 X 3.00
12	56009006	4	VIS TYPE AB10X16
13	56205821	1	ENSEMBLE CONNECTEUR
14	56205829	1	DEFLECTEUR
15	56305529	1	WAND MOUNT WELDMENT
16	56305539	1	FLEXIBLE ASPIRATION AQUA
17	56305540	1	HOSE MOUNT WELDMENT
18	56305605	1	WAND ASSEMBLY
19	56456078	1	PRISE
20	56453254	1	GROMMET E00059
21	56009033	2	VIS 6 PANS 1/4 20 X 50
22	56015253	1	DECAL WAND

56305530 - Vacuum Wand Kit

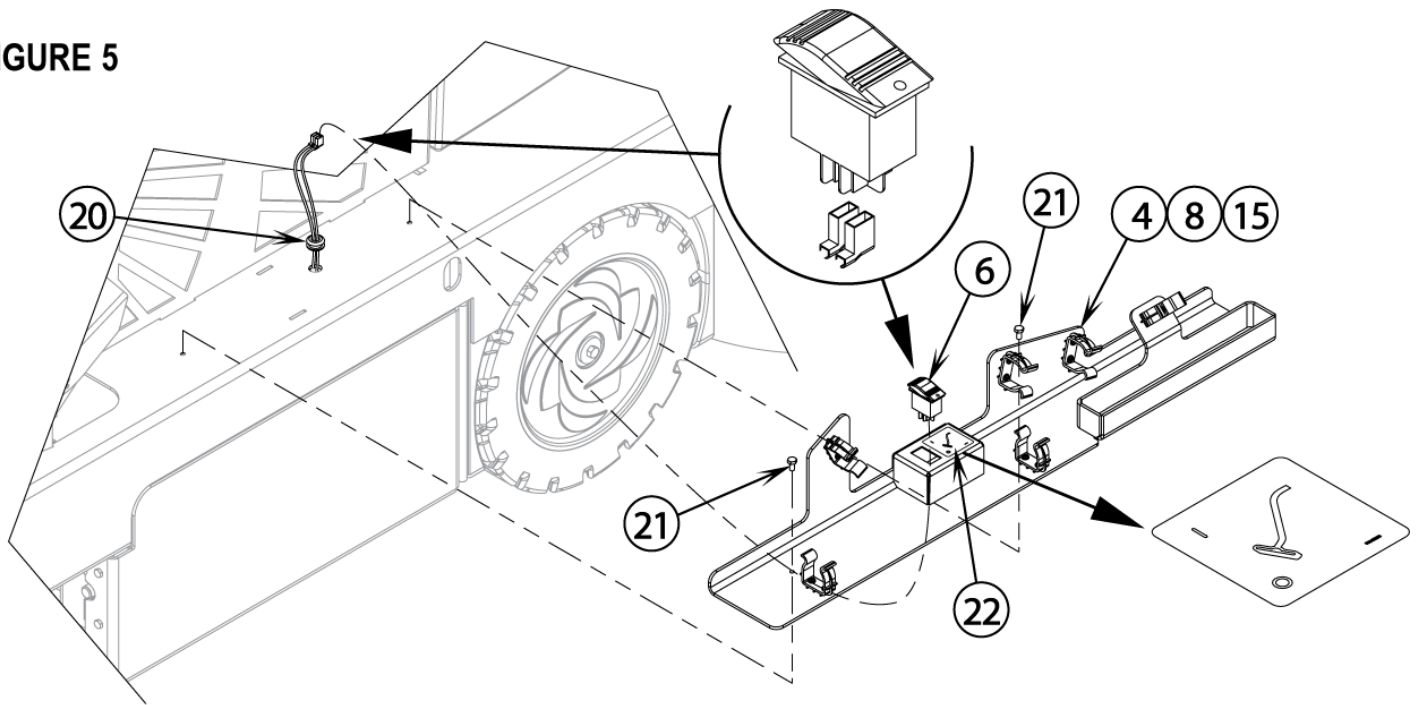
16-02-2015

ID Liste de pièces
IS56040809FIG5

CR 1100/1200/1400

327

FIGURE 5



56305530 - Vacuum Wand Kit

CR 1100/1200/1400

16-02-2015

ID Liste de pièces
IS56040809F-IG5

328

Pos	Réf. Pièce	Qté	Description
4	56009030	32	VIS TETE PLATE CRUCIFORME
6	56209321	1	INTERRUPTEUR
8	56392171	6	FIXATION PLASTIC
15	56305529	1	WAND MOUNT WELDMENT
20	56453254	1	GROMMET E00059
21	56009033	2	VIS 6 PANS 1/4 20 X 50
22	56015253	1	DECAL WAND

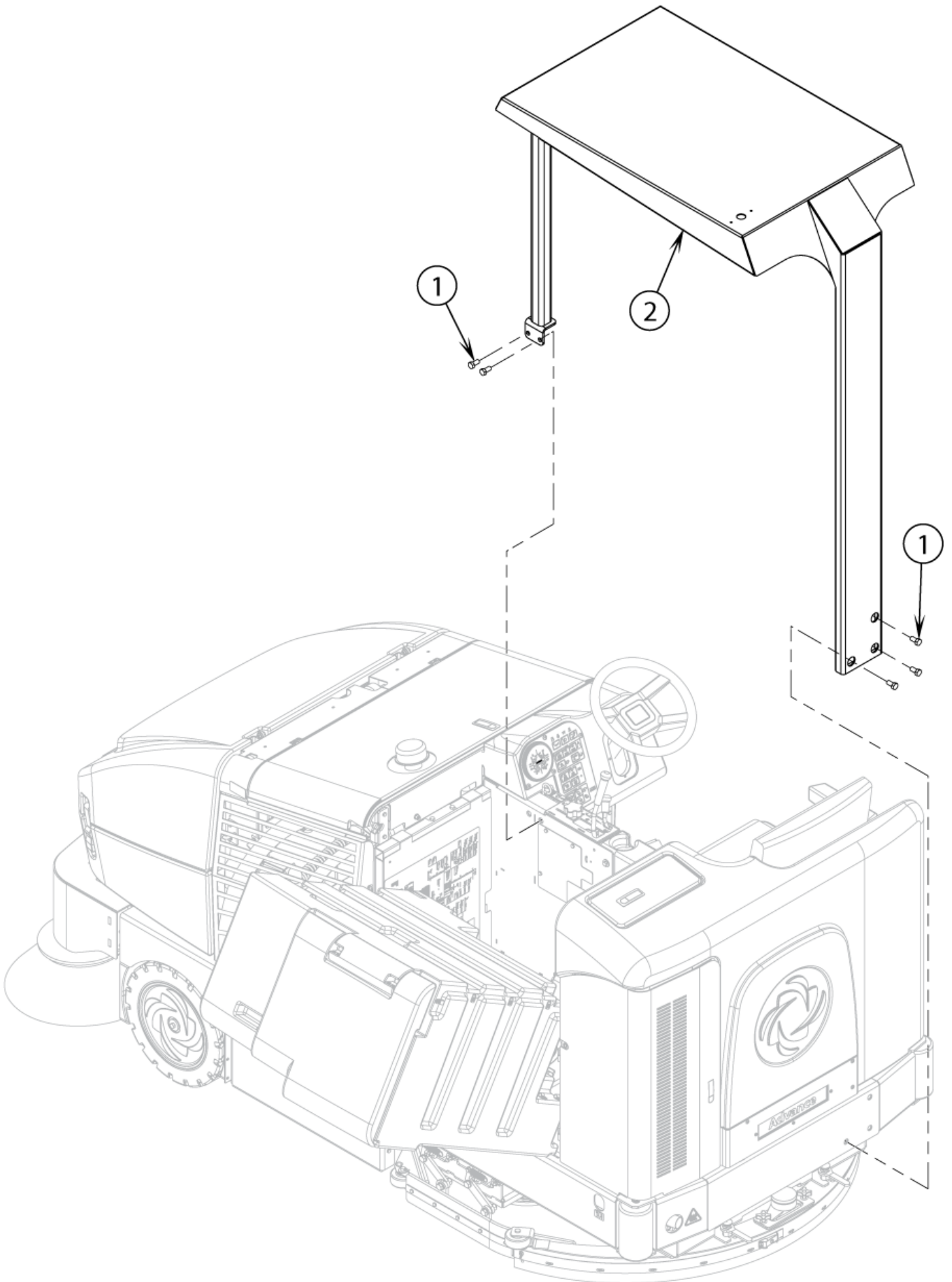
56305637 / 56303873 - Overhead Guard Kits

CR 1100/1200/1400

16-02-2015

ID Liste de pièces
IS56040810

329



56305637 / 56303873 - Overhead Guard Kits

CR 1100/1200/1400

16-02-2015

ID Liste de pièces
1556040810

330

Pos	Réf. Pièce	Qté	Description	
1	56003083	5	VIS 1/2 13X1.00	GRADE 5
2	56303574	1	GUARD WELDMENT	USED IN KIT 56303573
2	56304862	1	LOW CLEARANCE GUARD WELDMENT	USED IN KIT 56305637
3	56305687	1	GARNITURE DE PROTEGE TETE	
4	56305705	2	TRIM EDGE	NOT SHOWN / PRE-ASSEMBLED TO ITEM 2

56305641 - Curb Light Kit

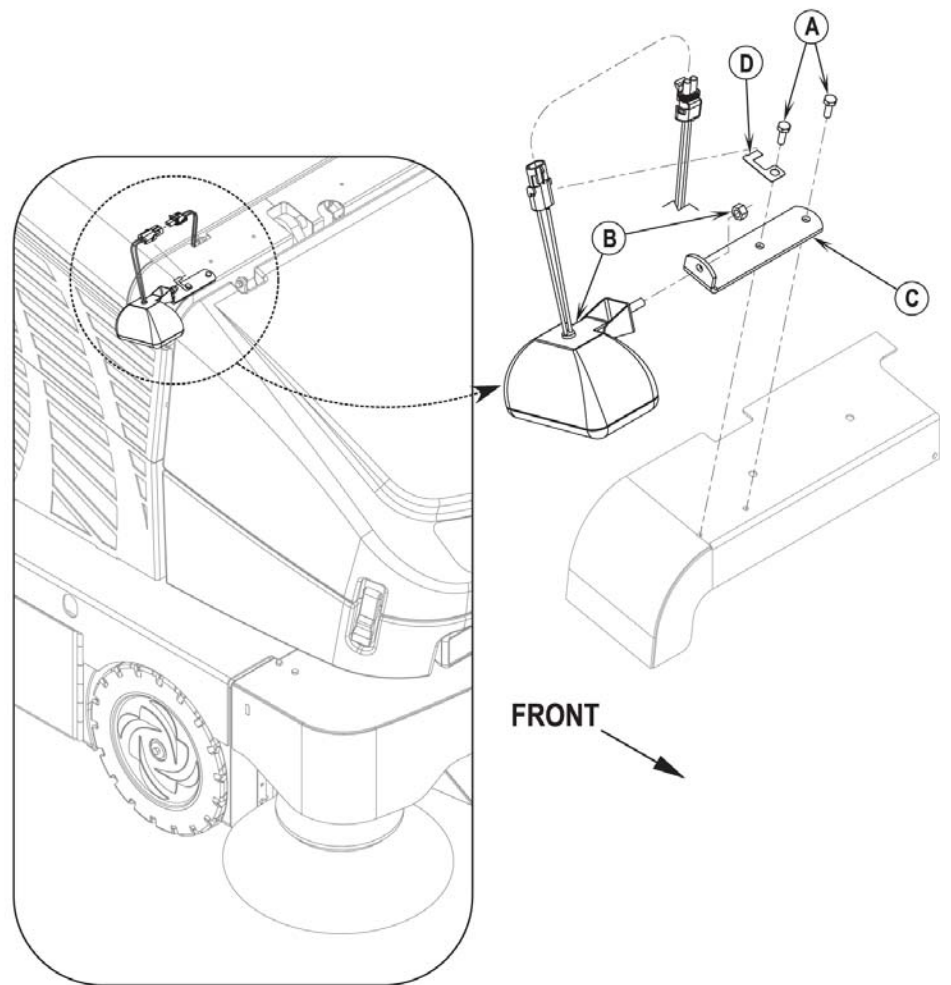
CR 1100/1200/1400

16-02-2015

ID Liste de pièces
IS56040811

331

FIGURE 2



56305641 - Curb Light Kit

CR 1100/1200/1400

16-02-2015

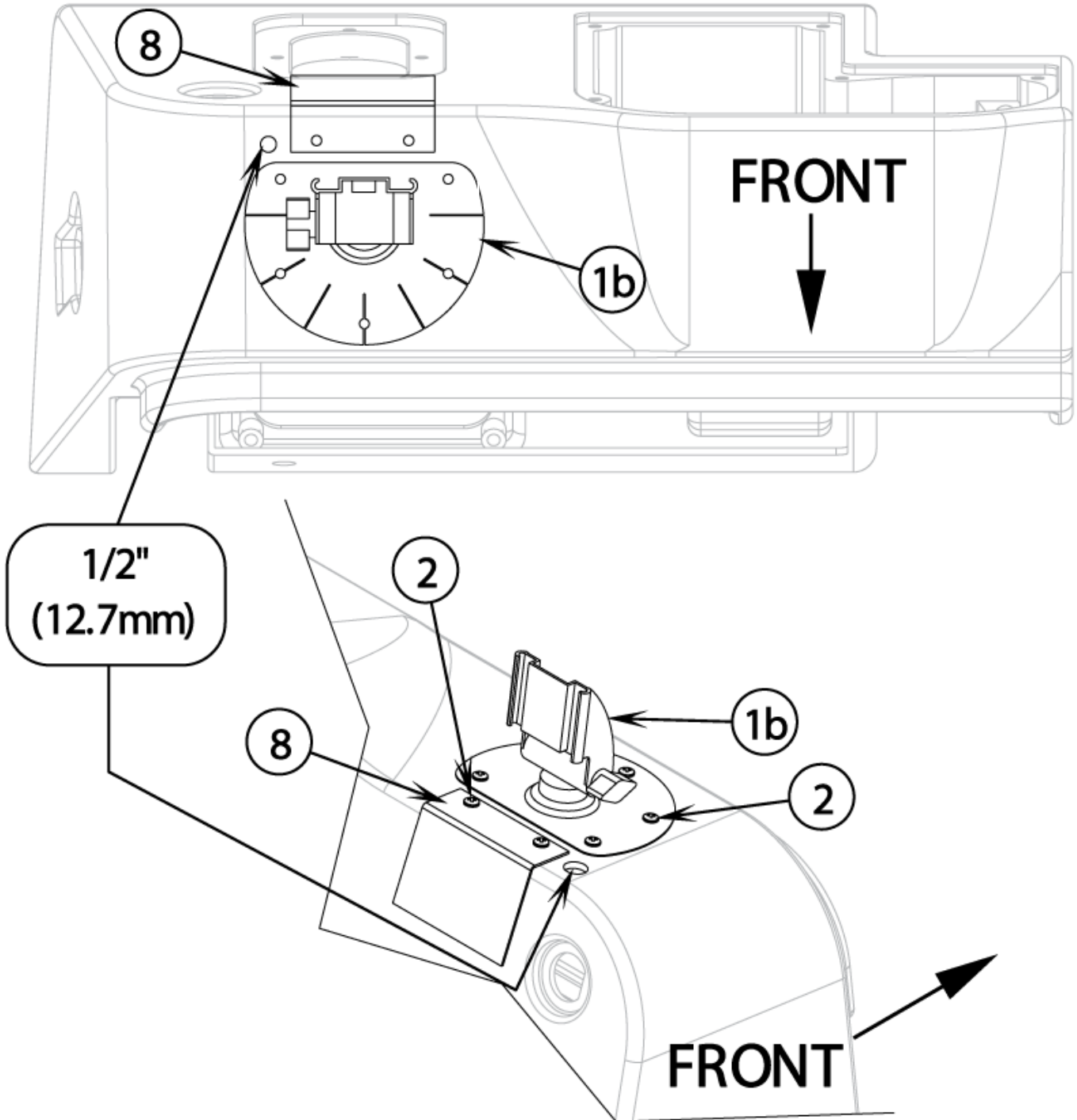
ID Liste de pièces
1556040811

332

Pos	Réf. Pièce	Qté	Description
A	56009018	2	VIS SANS TETE 1/4 20
B	56304768	1	LAMPE 12 V CPLT
C	56305648	1	BRACKET
D	56409769	1	CLIP WEATHER PACK

FIGURE 1

TOP View of Control Panel Housing



56305643 - Rearview Camera Kit

CR 1100/1200/1400

16-02-2015

ID Liste de pièces
IS56040814F-IG1

334

Pos	Réf. Pièce	Qté	Description
2	56003093	9	SCR PAN PHIL PLAST 8-15 X .50
4	56305706	1	FOAM PAD
5	56305709	1	VELCRO HOOK
7	56015830	1	DECAL MONITOR
8	56305707	1	PLATE
9	56305741	1	RING TERMINAL .38 22 16AWG
10	56328082	1	TERMINAL RING 8
11	56009112	1	WSH INT SHPRF 3/8
1D		1	NOTE COMMENT
1E		1	NOTE COMMENT

56305643 - Rearview Camera Kit

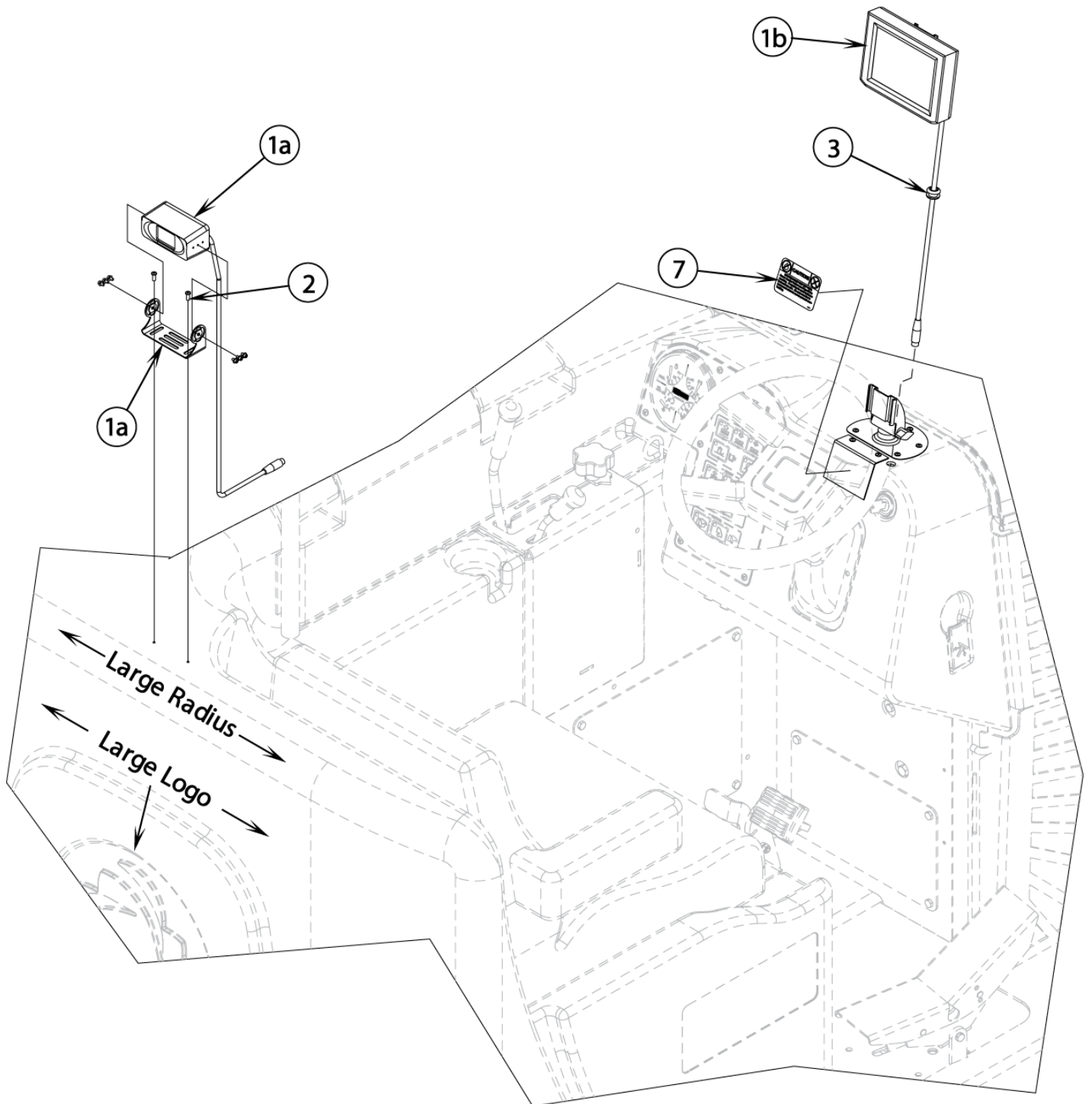
CR 1100/1200/1400

16-02-2015

ID Liste de pièces
IS56040814FIG2

335

FIGURE 2



56305643 - Rearview Camera Kit

CR 1100/1200/1400

16-02-2015

ID Liste de pièces
IS56040814F-IGZ

336

Pos	Réf. Pièce	Qté	Description
2	56003093	9	SCR PAN PHIL PLAST 8-15 X .50
3	56168744	1	GROMMET .500 E00059
4	56305706	1	FOAM PAD
5	56305709	1	VELCRO HOOK
7	56015830	1	DECAL MONITOR
8	56305707	1	PLATE
9	56305741	1	RING TERMINAL .38 22 16AWG
10	56328082	1	TERMINAL RING 8
11	56009112	1	WSH INT SHPRF 3/8
1D		1	NOTE COMMENT
1E		1	NOTE COMMENT

56305643 - Rearview Camera Kit

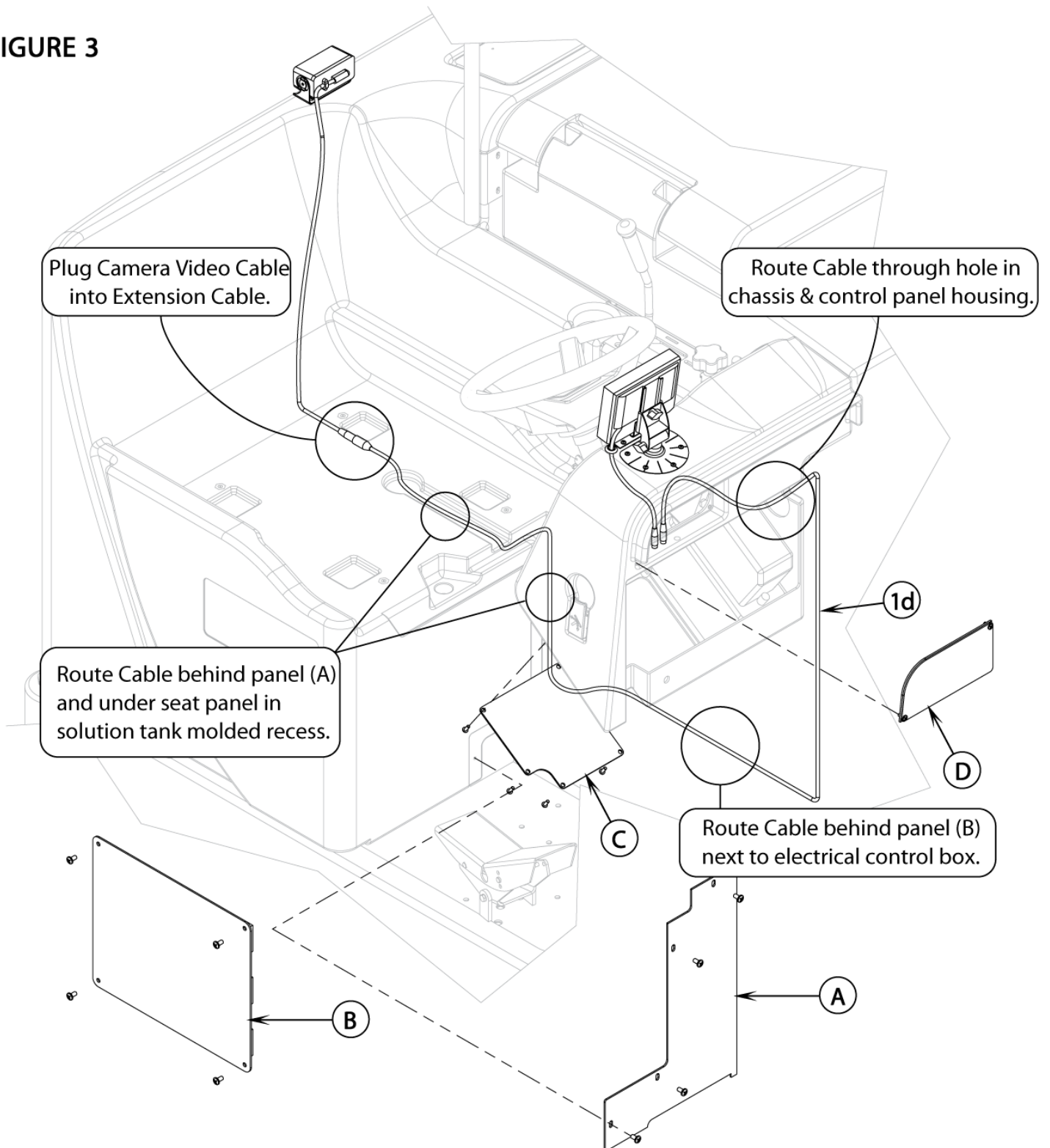
CR 1100/1200/1400

16-02-2015

ID Liste de pièces
IS56040814FIG3

337

FIGURE 3



56305643 - Rearview Camera Kit

CR 1100/1200/1400

16-02-2015

ID Liste de pièces
IS56040814F-IG3

338

Pos	Réf. Pièce	Qté	Description
2	56003093	9	SCR PAN PHIL PLAST 8-15 X .50
3	56168744	1	GROMMET .500 E00059
4	56305706	1	FOAM PAD
5	56305709	1	VELCRO HOOK
7	56015830	1	DECAL MONITOR
8	56305707	1	PLATE
9	56305741	1	RING TERMINAL .38 22 16AWG
10	56328082	1	TERMINAL RING 8
11	56009112	1	WSH INT SHPRF 3/8
1D		1	NOTE COMMENT
1E		1	NOTE COMMENT

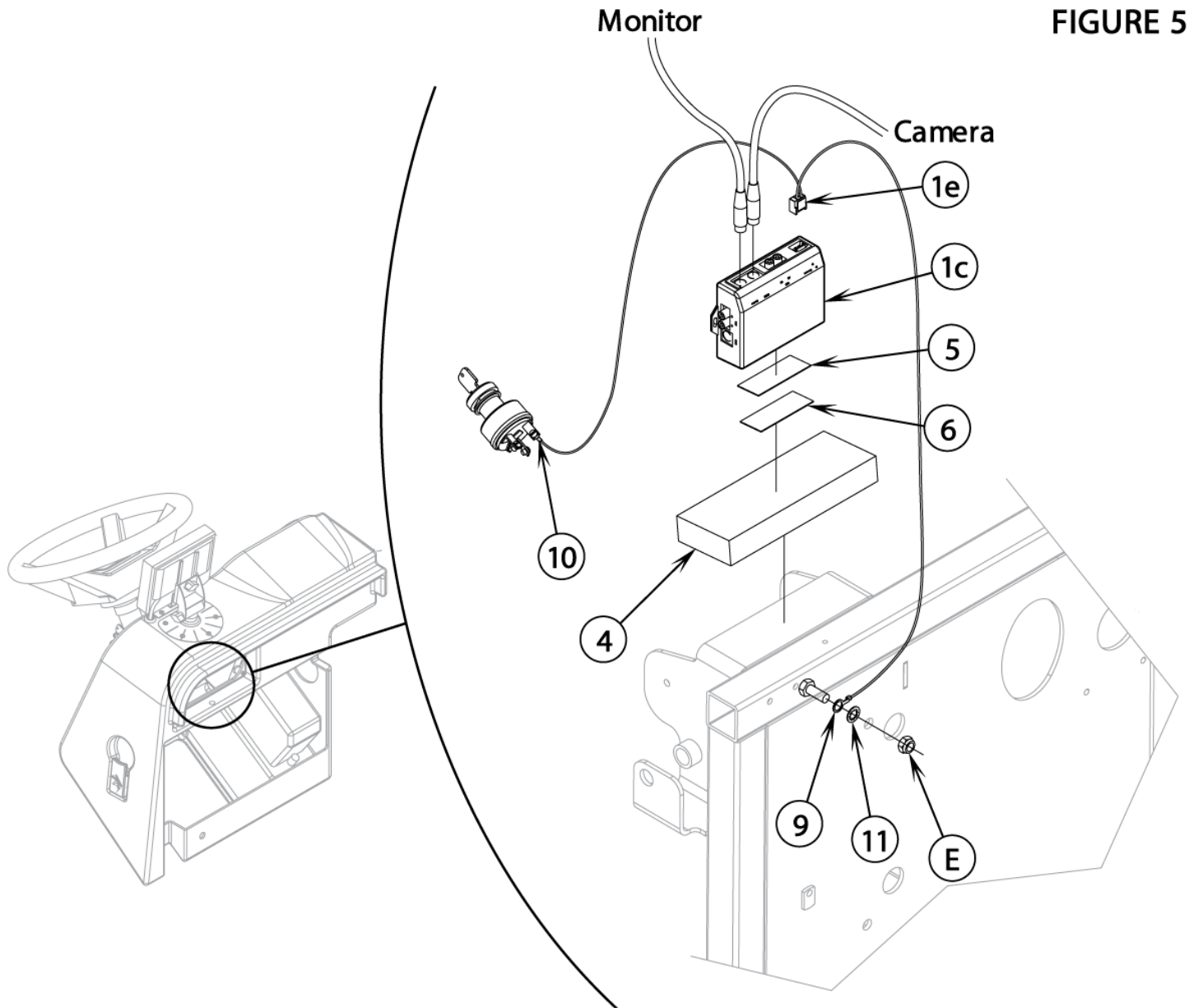
56305643 - Rearview Camera Kit

CR 1100/1200/1400

16-02-2015

ID Liste de pièces
IS56040814FIG5

339



56305643 - Rearview Camera Kit

CR 1100/1200/1400

16-02-2015

ID Liste de pièces
IS56040814F-IG5

340

Pos	Réf. Pièce	Qté	Description
2	56003093	9	SCR PAN PHIL PLAST 8-15 X .50
3	56168744	1	GROMMET .500 E00059
4	56305706	1	FOAM PAD
5	56305709	1	VELCRO HOOK
7	56015830	1	DECAL MONITOR
8	56305707	1	PLATE
9	56305741	1	RING TERMINAL .38 22 16AWG
10	56328082	1	TERMINAL RING 8
11	56009112	1	WSH INT SHPRF 3/8
1D		1	NOTE COMMENT
1E		1	NOTE COMMENT

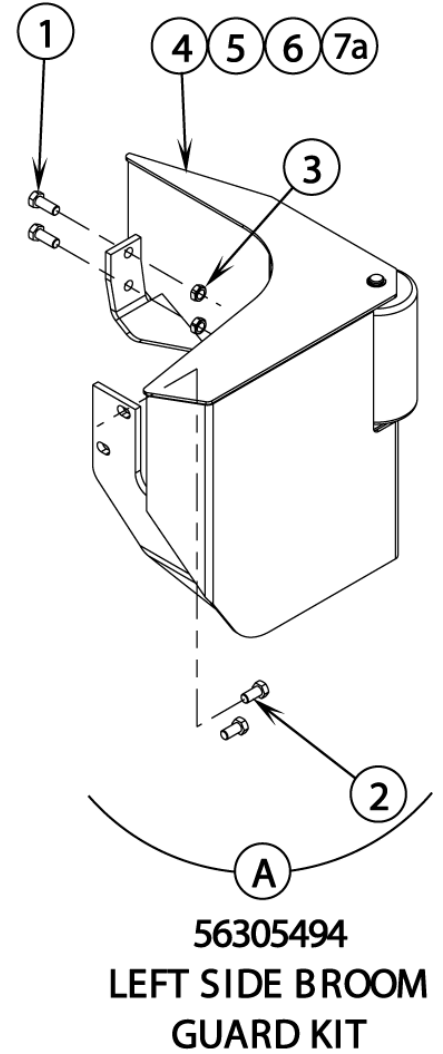
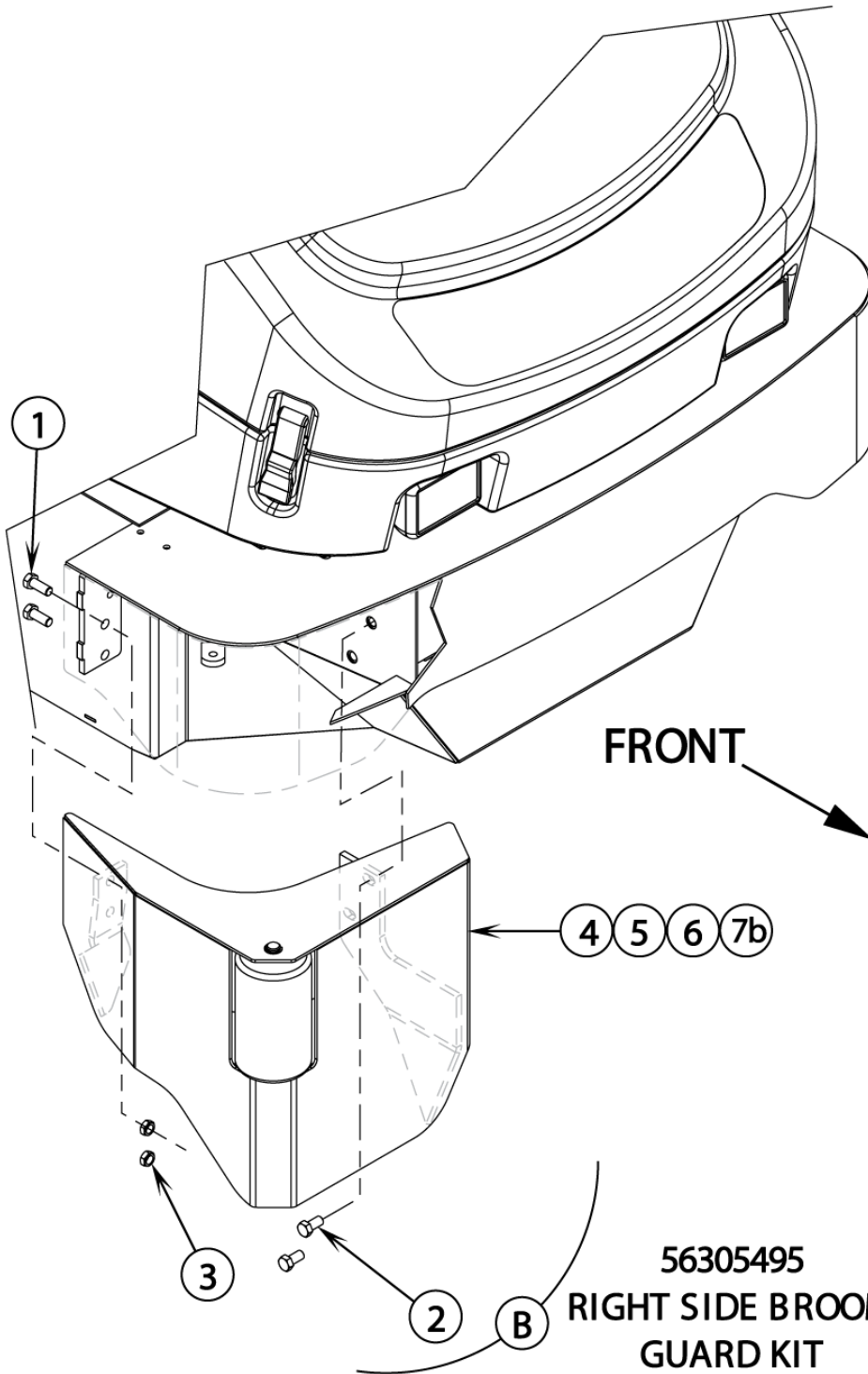
56305494 - Left Side / 56305495 - Right Side Bro

CR 1100/1200/1400

16-02-2015

ID Liste de pièces
IS56040815

341



56305494 - Left Side / 56305495 - Right Side Bro

CR 1100/1200/1400

16-02-2015

ID Liste de pièces
ISS6040815

342

Pos	Réf. Pièce	Qté	Description	
1	56001831	2	VIS 1/2 13X1.25	
2	56001895	2	VIS 6 PANS 1/2 13X1 00	
3	56002843	2	ECROU 1/2 13	
4	56003266	2	ANNEAU RET EXT TYPE E	
5	56409335	1	PARE CHOCS TENDEUR	
6	56409336	1	AXE	
A	56305494	1	PROTECTION LAT GAUCHE	
B	56305495	1	PROTECTION D BROSSE LAT	
7A	56305322	1	LEFT GUARD WELDMENT	LEFT S.B. GUARD WELDÆT
7B	56305321	1	RIGHT GUARD WELDMENT	

NOTE: All mounting holes are predrilled, there are no modifications required. Items (4, 5, 6 & 7) are preassembled in both kits.

The two kits covered in this instruction sheet are also part of Kit PN56305652 which is designed for models

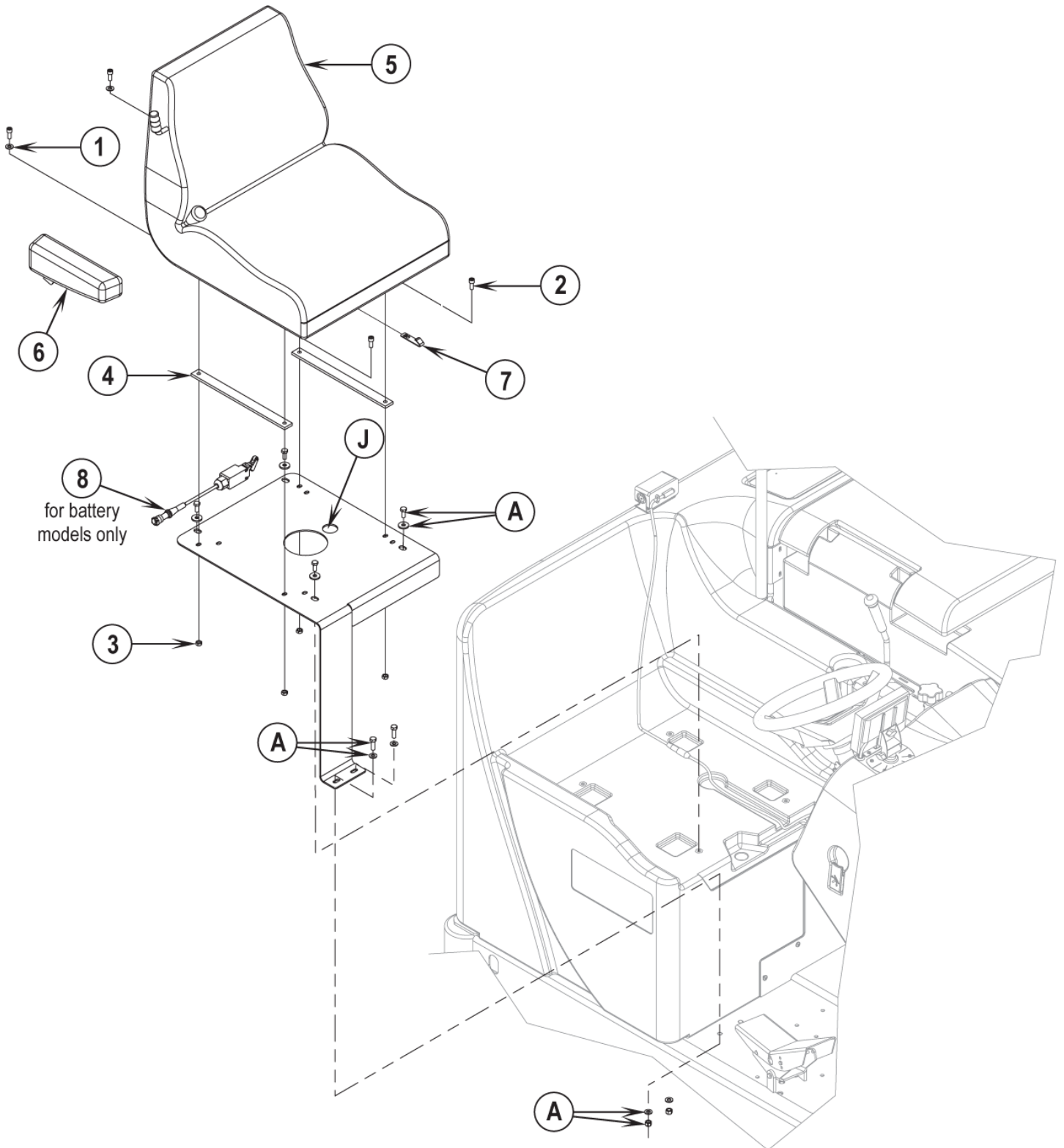
56305611 - W/O Switch / 56303381 - De Luxe Kit

CR 1100/1200/1400

16-02-2015

ID Liste de pièces
IS56040817

343



56305611 - W/O Switch / 56303381 - De Luxe Kit

CR 1100/1200/1400

16-02-2015

ID Liste de pièces
1556040817

344

Pos	Réf. Pièce	Qté	Description
1	56001939	2	RONDELLE PLATE SAE 5/16
2	56001959	4	VIS 5/16 EME
3	56002826	4	ECROU 5/16 18
4	56305191	2	SPACER SEAT
5	56305612	1	SIEGE
6	56305613	1	ACCOUDOIR
7	56305934	1	SLIDE STOP SEAT
8	56303533	1	BARRE DE RELAGE DU SIEGE

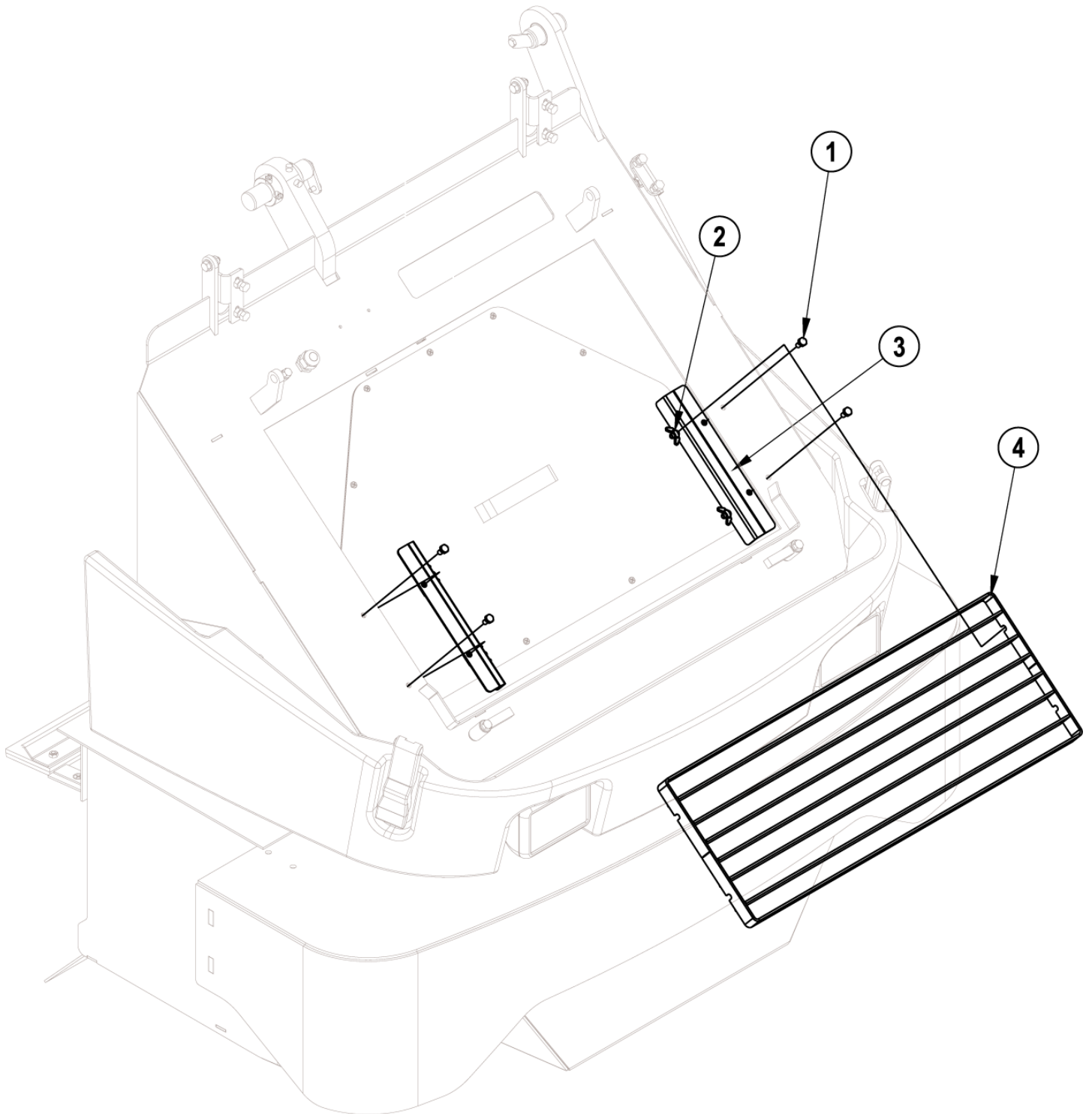
56305794 - Pre-filter Grid Kit

CR 1100/1200/1400

16-02-2015

ID Liste de pièces
IS56040819

345



56305794 - Pre-filter Grid Kit

CR 1100/1200/1400

16-02-2015

ID Liste de pièces
1556040819

346

Pos	Réf. Pièce	Qté	Description
1	56003039	4	IS 1/4 20X1/2
2	56009048	4	ECROU 1/4 20
3	56305875	2	BRACKET PREFILTER
4	56305887	1	FILTRE

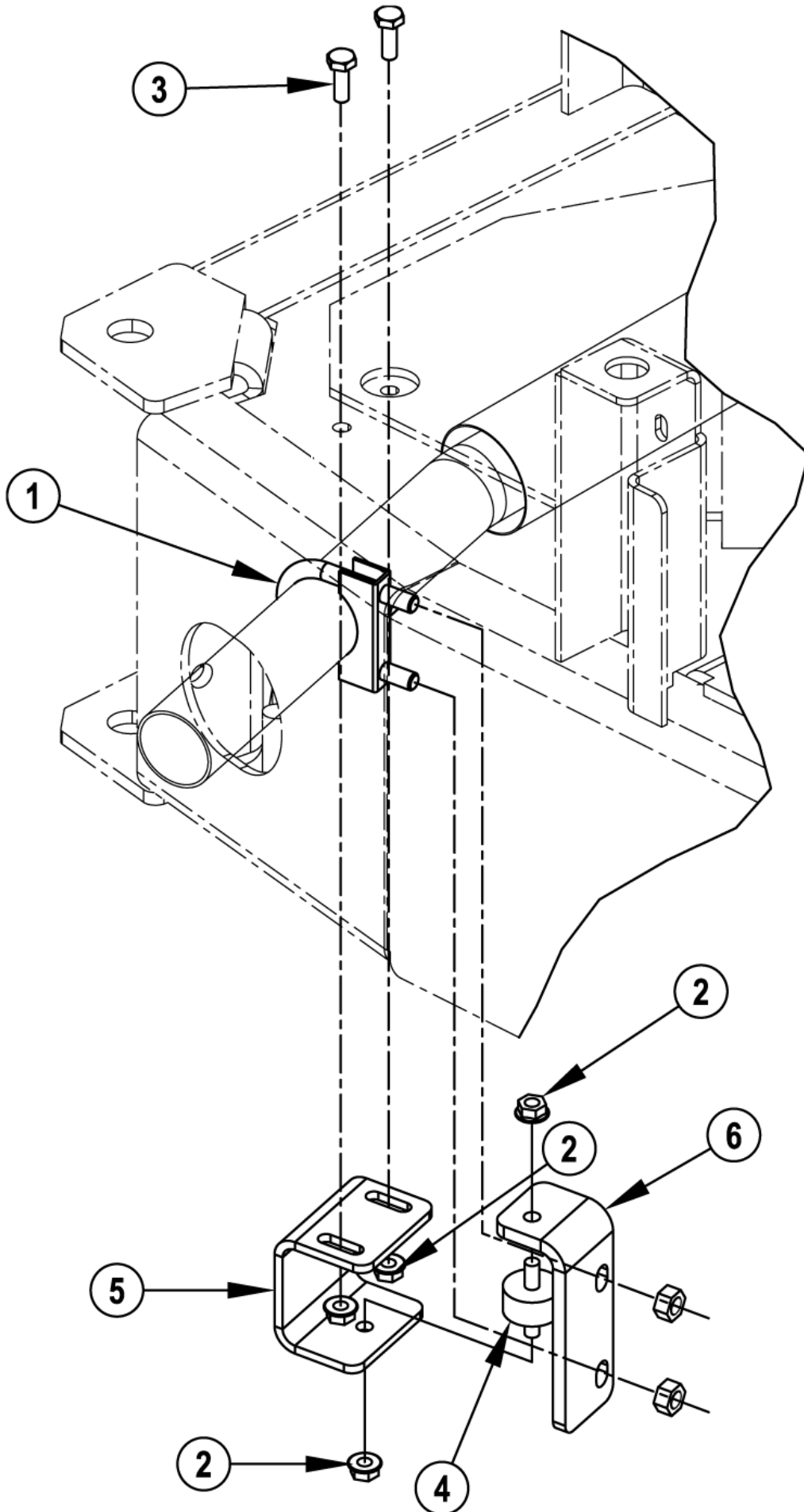
56305840 - Tailpipe Hanger Kit

CR 1100/1200/1400

16-02-2015

ID Liste de pièces
IS56040822

347



56305840 - Tailpipe Hanger Kit

CR 1100/1200/1400

16-02-2015

ID Liste de pièces
1S560408Z2

348

Pos	Réf. Pièce	Qté	Description
1	56456833	1	FIXATION DE BOITE+B28
2	56001827	4	NUT HEX SERRATED 1/4 20
3	56002155	2	VIS 1/4 20X.75
4	56305216	1	SILEN BLOC AMORTISSEUR

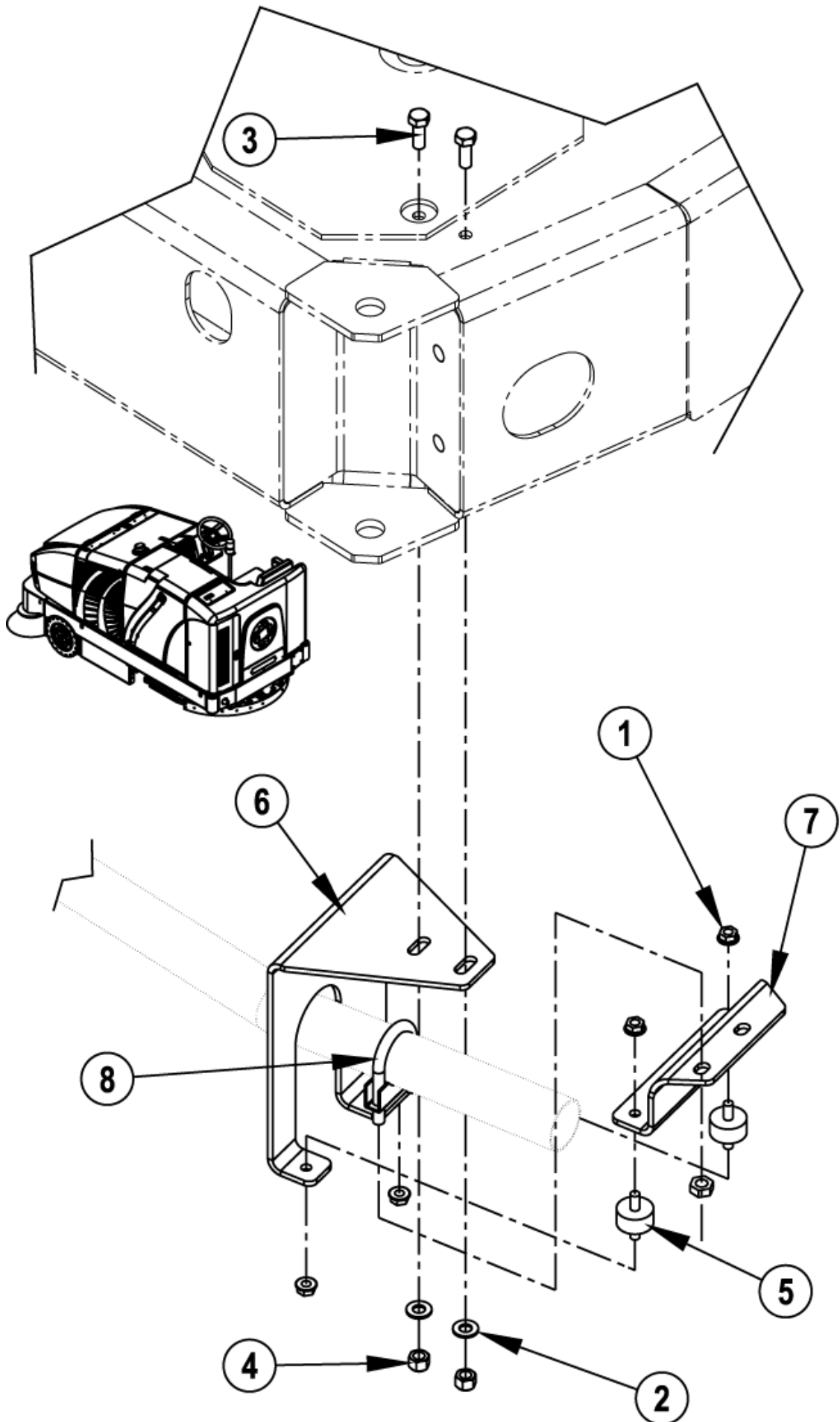
56305894 - Tailpipe Hanger Kit

CR 1100/1200/1400

16-02-2015

ID Liste de pièces
IS56040828

349



56305894 - Tailpipe Hanger Kit

CR 1100/1200/1400

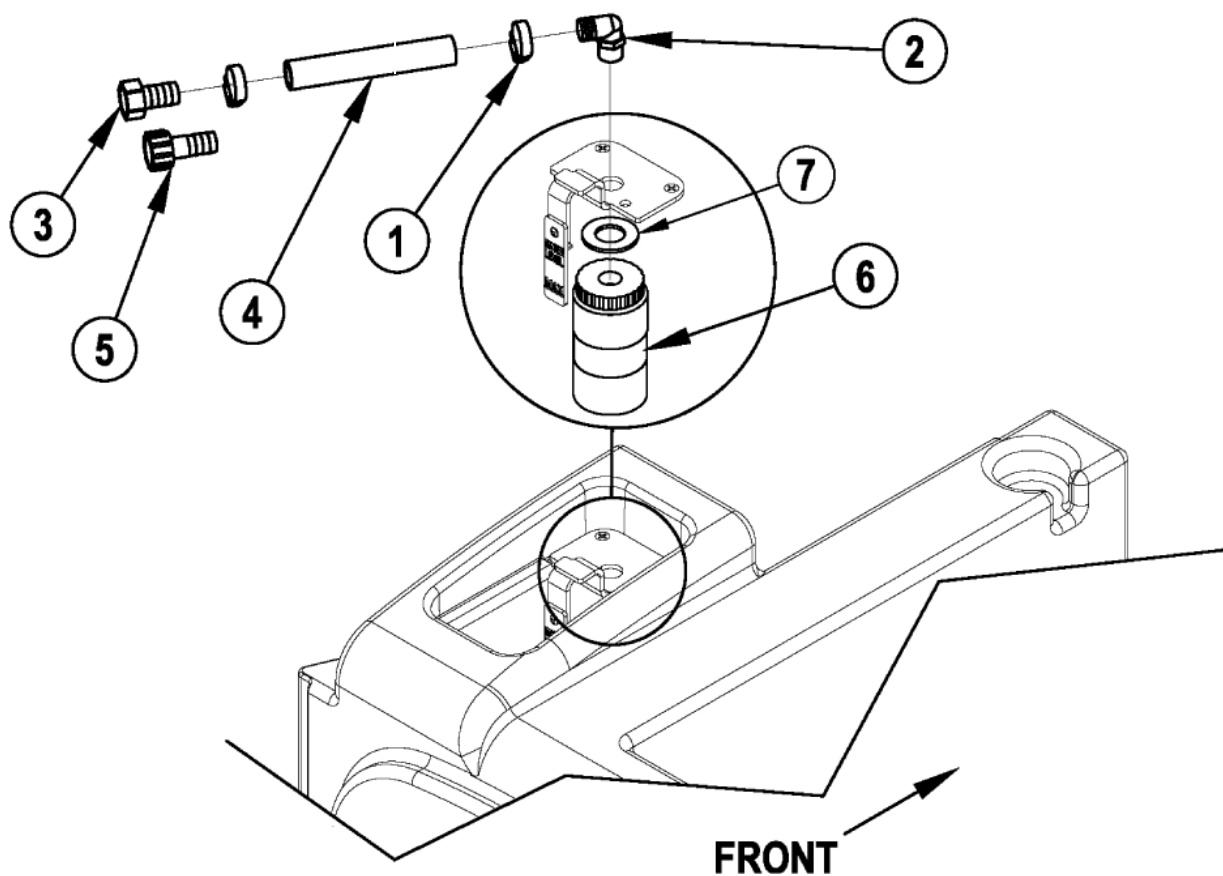
16-02-2015

ID Liste de pièces
1556040828

350

Pos	Réf. Pièce	Qté	Description
1	56001827	4	NUT HEX SERRATED 1/4 20
2	56001939	2	RONDELLE PLATE SAE 5/16
3	56002037	2	VIS HEX 5/16 18X.88
4	56002701	2	VIS 5/16 18 X 62
5	56305216	2	SILEN BLOC AMORTISSEUR
6	56305877	1	BRACKET TAILPIPE
7	56305878	1	SUPPORT
8	56456833	1	FIXATION DE BOITE+B28

FIGURE 1



56305820 - Solution Fill Shutoff Kit for CR 110

CR 1100/1200/1400

16-02-2015

ID Liste de pièces
IS56040831F-IG1

352

Pos	Réf. Pièce	Qté	Description
1	56244969	2	FIXATION TUYAU SAE 12 E00
2	56244985	1	RACCORD 3/4X1/2X90 NYLFC4
4	56305762	1	HOSE SPIRAL E00605
5	56305835	1	BARB FEMALE SWIV3/4-14GASX19MM
6	56314210	1	VALVE AUTOFILL

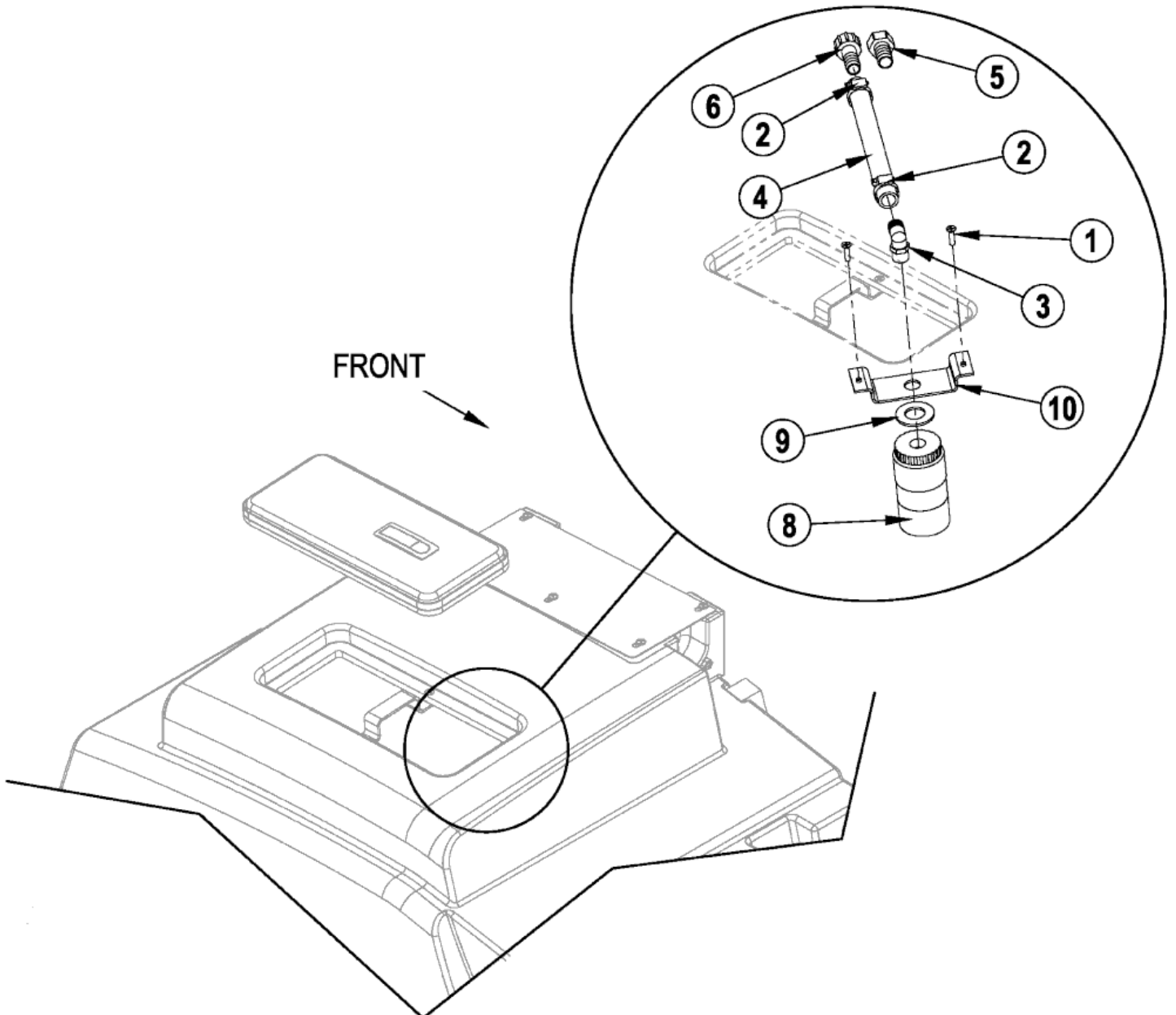
56305896 - Solution Fill Shutoff Kit for CR 1200

CR 1100/1200/1400

16-02-2015

ID Liste de pièces
IS56040831FIG2

353



56305896 - Solution Fill Shutoff Kit for CR 1200

CR 1100/1200/1400

16-02-2015

ID Liste de pièces
IS56040831F-IGZ

354

Pos	Réf. Pièce	Qté	Description
0	56305896	1	KIT ARRET AUTO REMPLIS. RESERVOIR SOLUTI
1	56003074	2	VIS TETE PL PHIL INOX
2	56244969	2	FIXATION TUYAU SAE 12 E00
3	56244985	1	RACCORD 3/4X1/2X90 NYLFC4
4	56305318	1	HOSE 10.5 SPIRAL E00605
6	56305835	1	BARB FEMALE SWIV3/4-14GASX19MM
8	56314210	1	VALVE AUTOFILL
9	2-00-05239	1	RONDELLE 2.000X1.063X.125 SST
10	56110910	1	BRACKET VALVE MOUNT

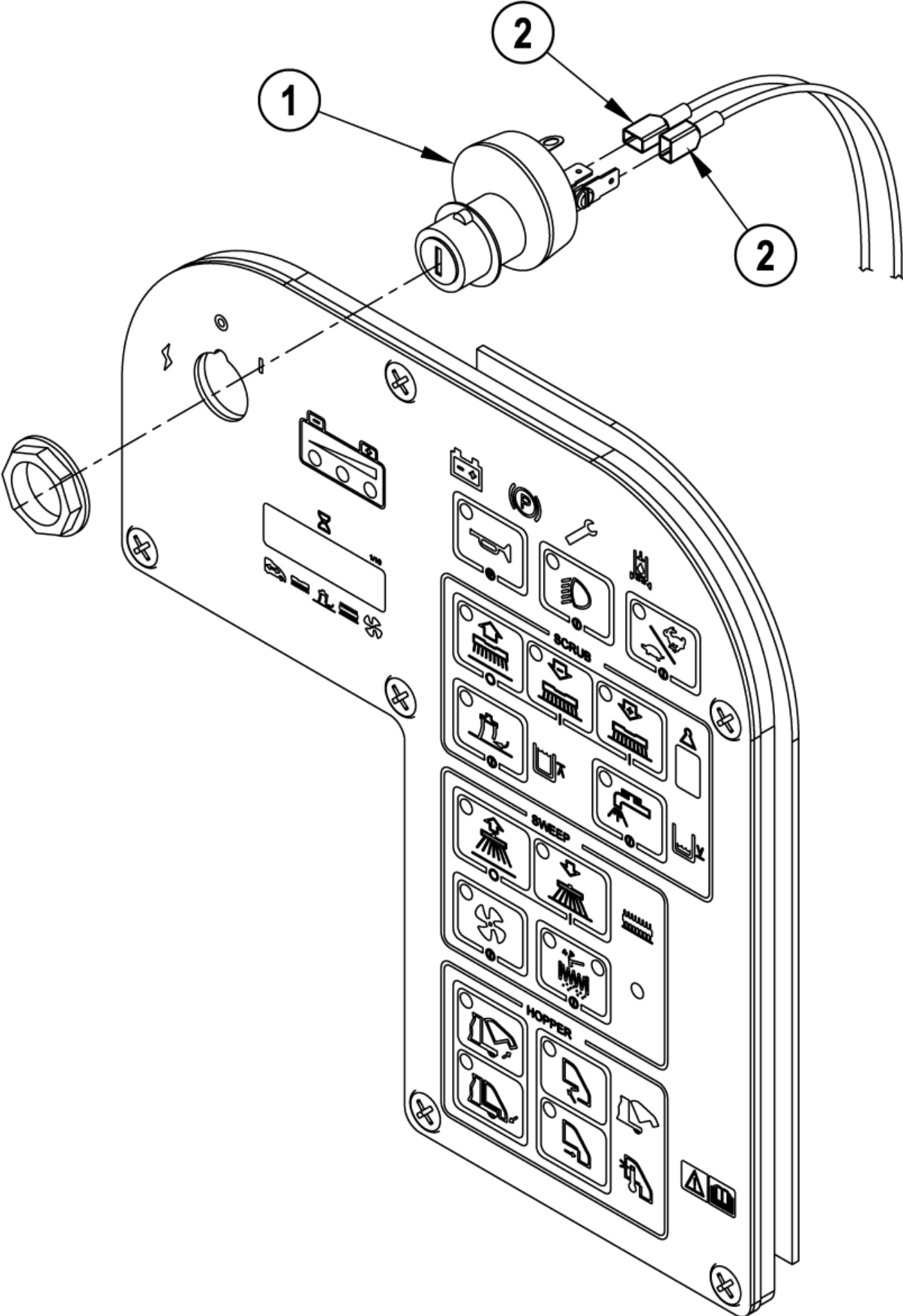
56303554 - Key Switch Kit

CR 1100/1200/1400

16-02-2015

ID Liste de pièces
IS56040840

355



56303554 - Key Switch Kit

CR 1100/1200/1400

16-02-2015

ID Liste de pièces
1556040840

356

Pos	Réf. Pièce	Qté	Description
1	56303553	1	CLEF+BARRILLET BA755/855
2	56469384	2	RECEPTACLE PATTE 25 PREASSEMBLED TO KEY SWITCH

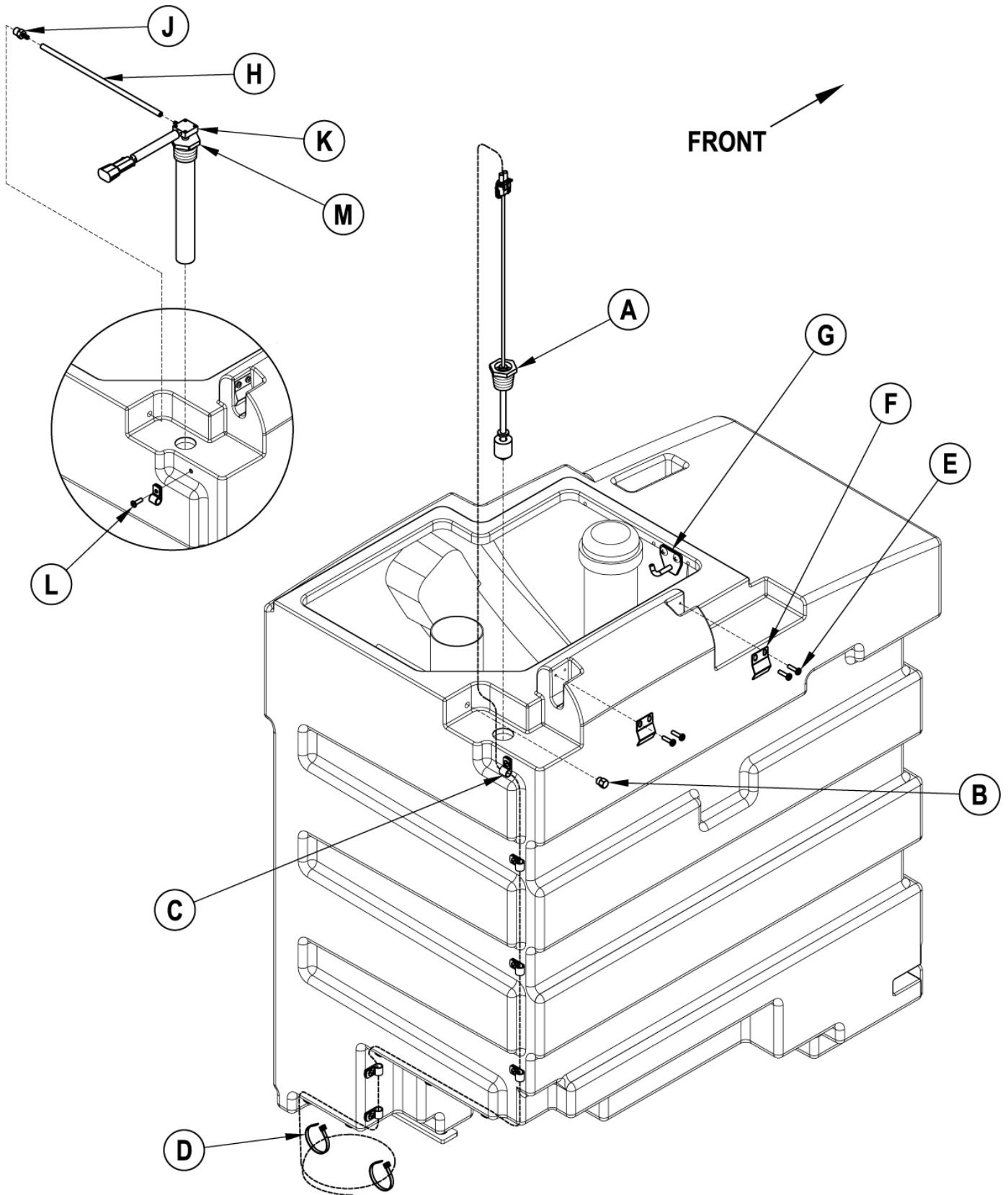
56305978 - Liquid Level Switch

CR 1100/1200/1400

16-02-2015

ID Liste de pièces
IS56040842

357



Note: 80 gallon recovery tank is shown, 60 gallon tank is similar.

56305978 - Liquid Level Switch

CR 1100/1200/1400

16-02-2015

ID Liste de pièces
1556040842

358

Pos	Réf. Pièce	Qté	Description
A	56305977	1	SONDE DE NIVEAU
B	2-00-03778	1	HEX HD 1/8 NPT PLUG
C	56220507	13	PINCE CABLE .187 E00129
D	56478246	2	RACC CABLE

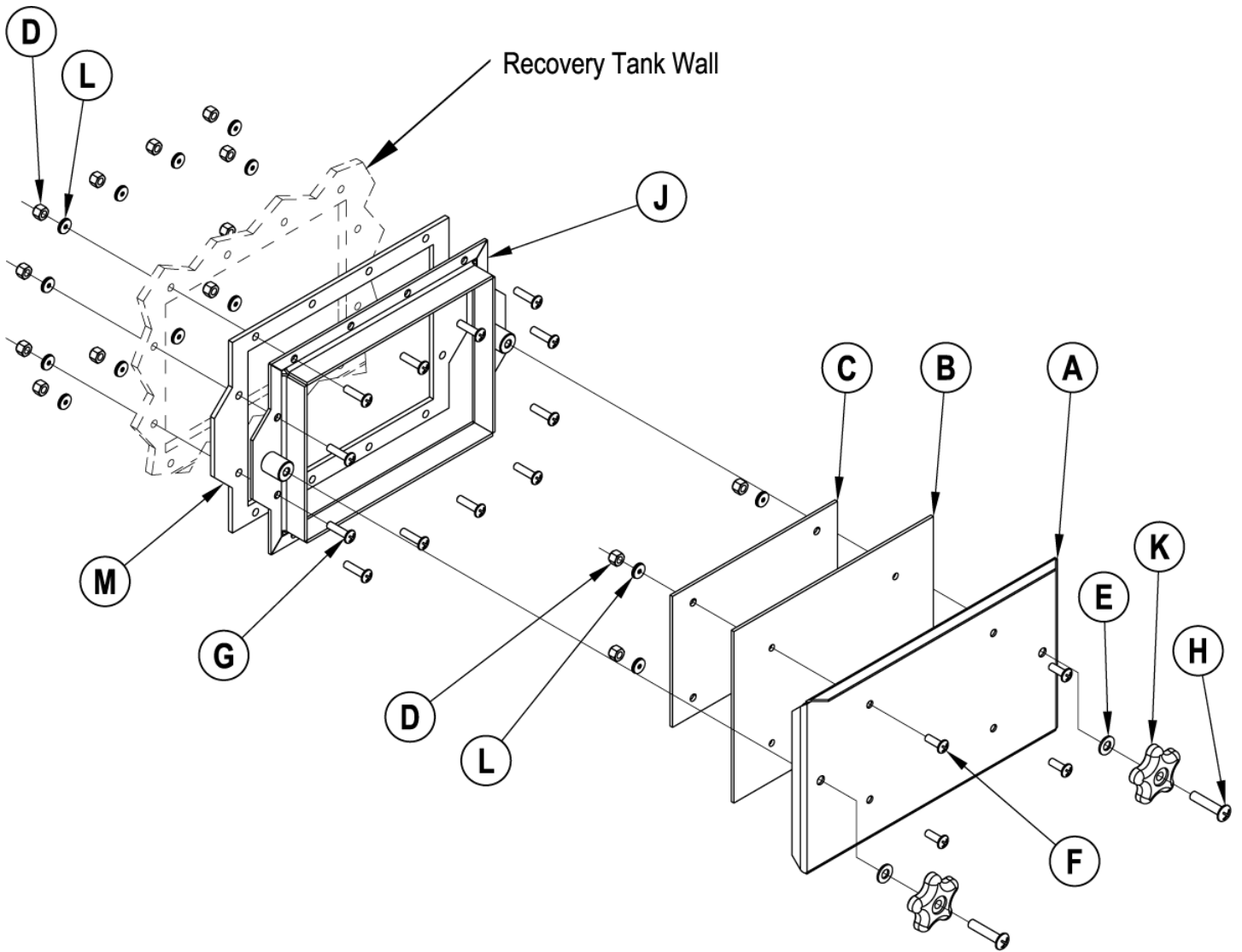
56303572 - Cleanout Kit

CR 1100/1200/1400

16-02-2015

ID Liste de pièces
IS56040860

359



56303572 - Cleanout Kit

CR 1100/1200/1400

16-02-2015

ID Liste de pièces
1556040860

360

Pos	Réf. Pièce	Qté	Description
A	56459302	1	COVER
B	56459303	1	JOINT PORTE
C	56459312	1	PLAQUE
D	56002491	16	ECROU 1/4 20
E	56002938	2	RONDELLE PLATE INOX 5/16EME
F	56002957	4	VIS 1/4 20 X 0 7
G	56003067	12	VIS 1/4 20 1.00 SS
H	56003208	2	SCR PAN PHIL SS 5/16-18 X 1.50
J	56303568	1	FRAME WELDMENT
K	56396254	2	BOUTON
L	56900737	16	RONDELLE ETANCHEITE B935
M	56303578	1	GASKET BASE

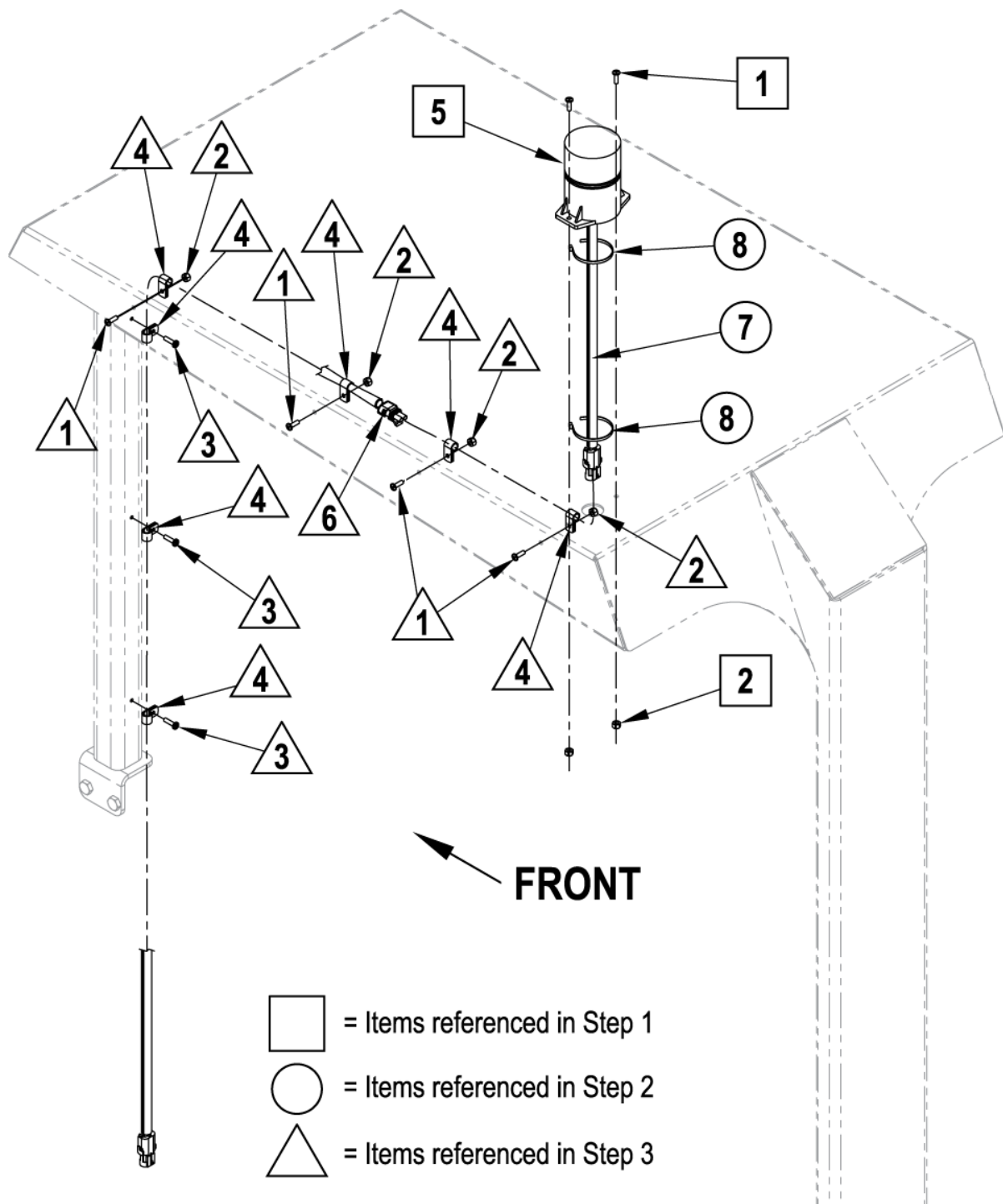
56303579 - OH Guard Beacon Kit

CR 1100/1200/1400

16-02-2015

ID Liste de pièces
IS56040863

361



56303579 - OH Guard Beacon Kit

CR 1100/1200/1400

16-02-2015

ID Liste de pièces
1556040863

362

Pos	Réf. Pièce	Qté	Description
1	56002124	6	VIS 10-24 X 62
2	56002768	6	ECROU 10 24
3	56009043	3	SCR PAN PHIL THD FORM10-24X.75
4	56172017	7	SUPPORT CLIP
5	56307166	1	GYROPHARE
6	56307165	1	HARNESS BEACON
7	56307171	1	CONDUIT
8	56478246	2	RACC CABLE

56307221 - Recovery Inlet Seal Kit

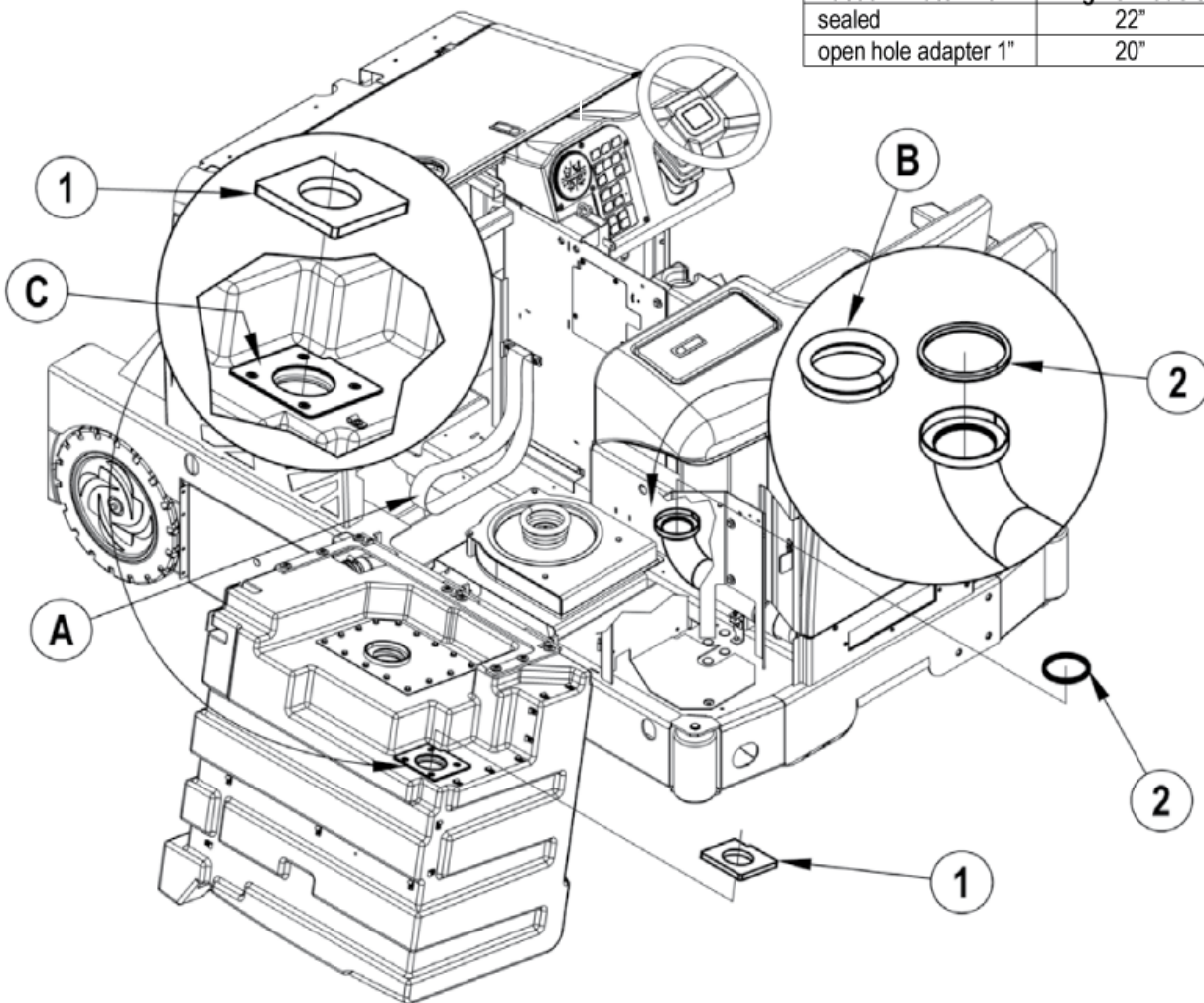
CR 1100/1200/1400

16-02-2015

ID Liste de pièces
IS56040903

363

Vacuum water lift	Engine models	Battery models
sealed	22"	72"
open hole adapter 1"	20"	6.3"



56307221 - Recovery Inlet Seal Kit

CR 1100/1200/1400

16-02-2015

ID Liste de pièces
1556040903

364

Pos	Réf. Pièce	Qté	Description
1	56307219	1	JOINT DE CUVE
2	56307220	1	JOINT

56109306 - Seat Belt Kit

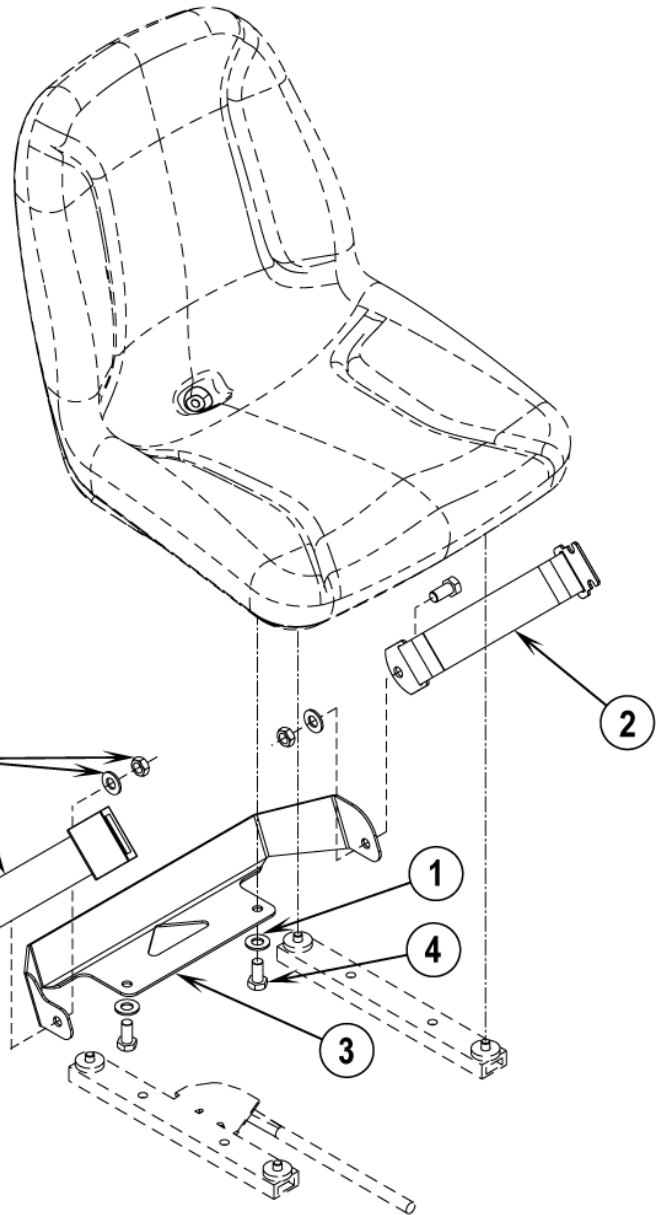
CR 1100/1200/1400

16-02-2015

ID Liste de pièces
IS56040955

365

1b



1a



56109306 - Seat Belt Kit

CR 1100/1200/1400

16-02-2015

ID Liste de pièces
1556040955

366

Pos	Réf. Pièce	Qté	Description
0	56109306	1	CEINTURE DE SECURITE
1	56001939	2	RONDELLE PLATE SAE 5/16
2	56109306	1	CEINTURE DE SECURITE INCLUDES HARDWARE
3	56507886	1	BRACKET SEAT BELT MTG
4	56001862	2	VIS 5/16EME 18 X 0 50
5	2-00-02312	2	RONDELLE

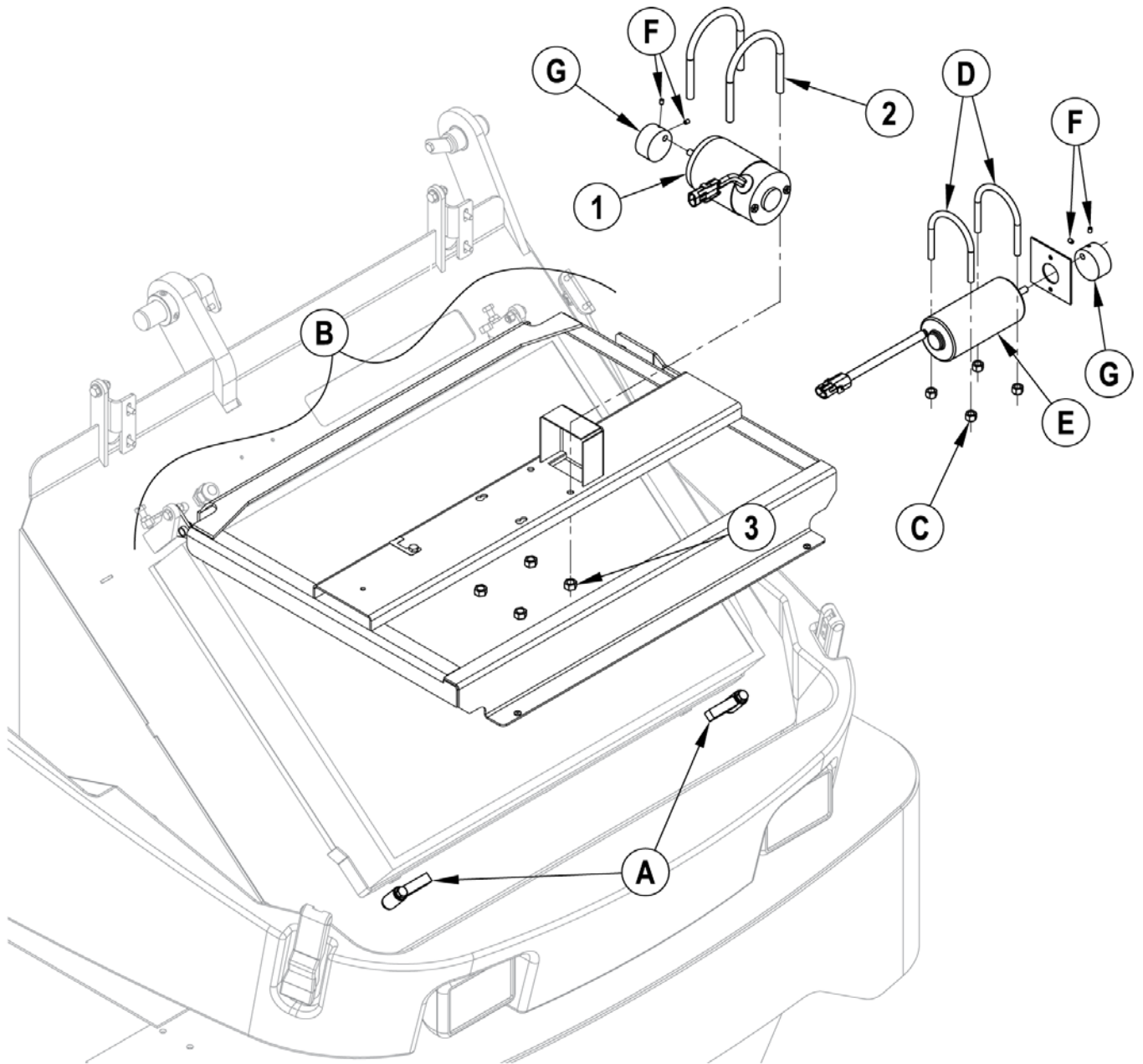
56508773 Shaker Motor Kit

CR 1100/1200/1400

16-02-2015

ID Liste de pièces
IS56040963

367



56508773 Shaker Motor Kit

CR 1100/1200/1400

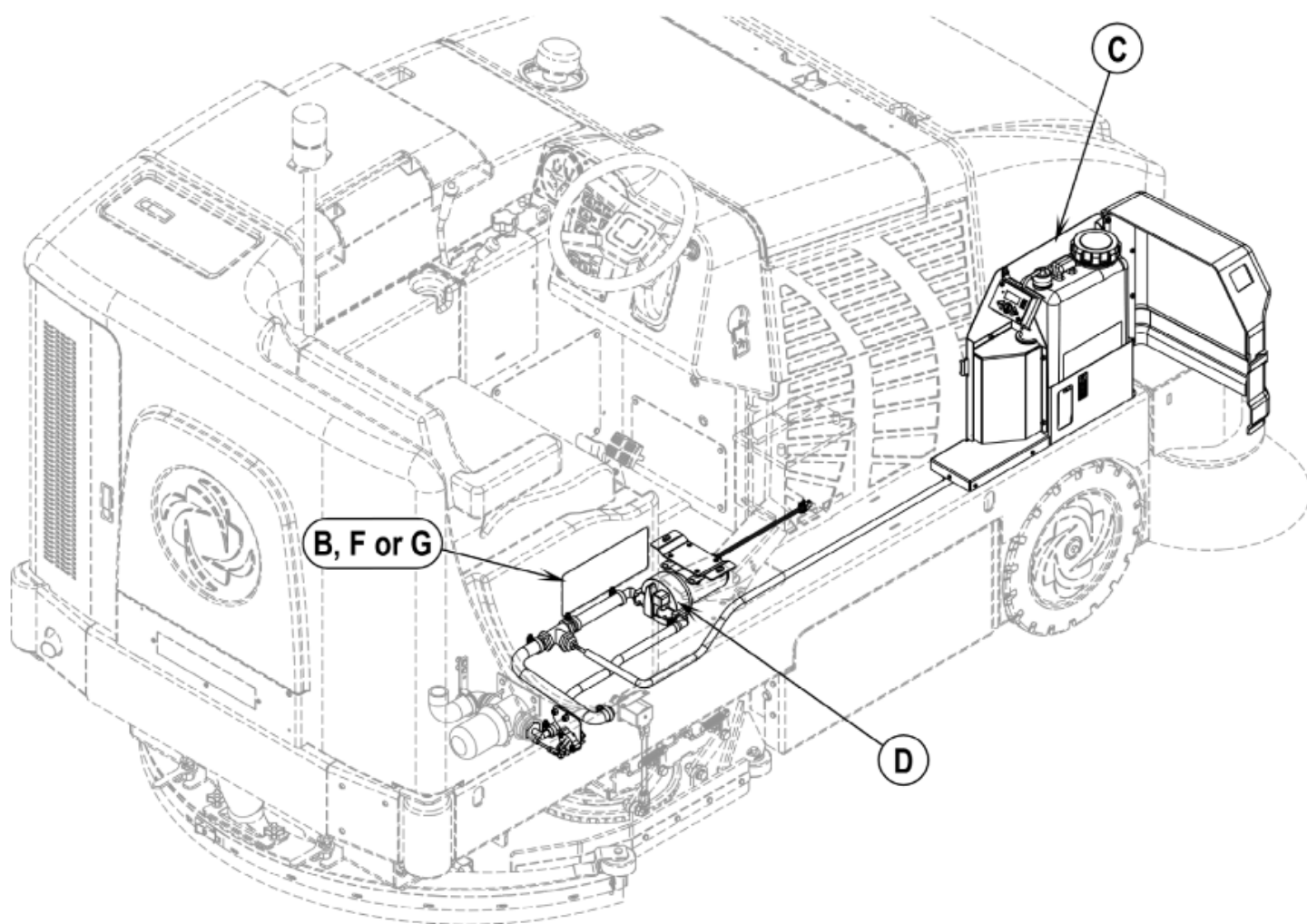
16-02-2015

ID Liste de pièces
1556040963

368

Pos	Réf. Pièce	Qté	Description
1	56508664	1	SECOUEUR ÉLECTRIQUE
2	56508888	2	U-BOLT 3/8-16 X 3.13 ID
3	56002841	4	NUT HEX NYL LOC-THIN 3/8-16

FIGURE 1



56306138 - Chemical Injection Kit 12VDC (engir

CR 1100/1200/1400

16-02-2015

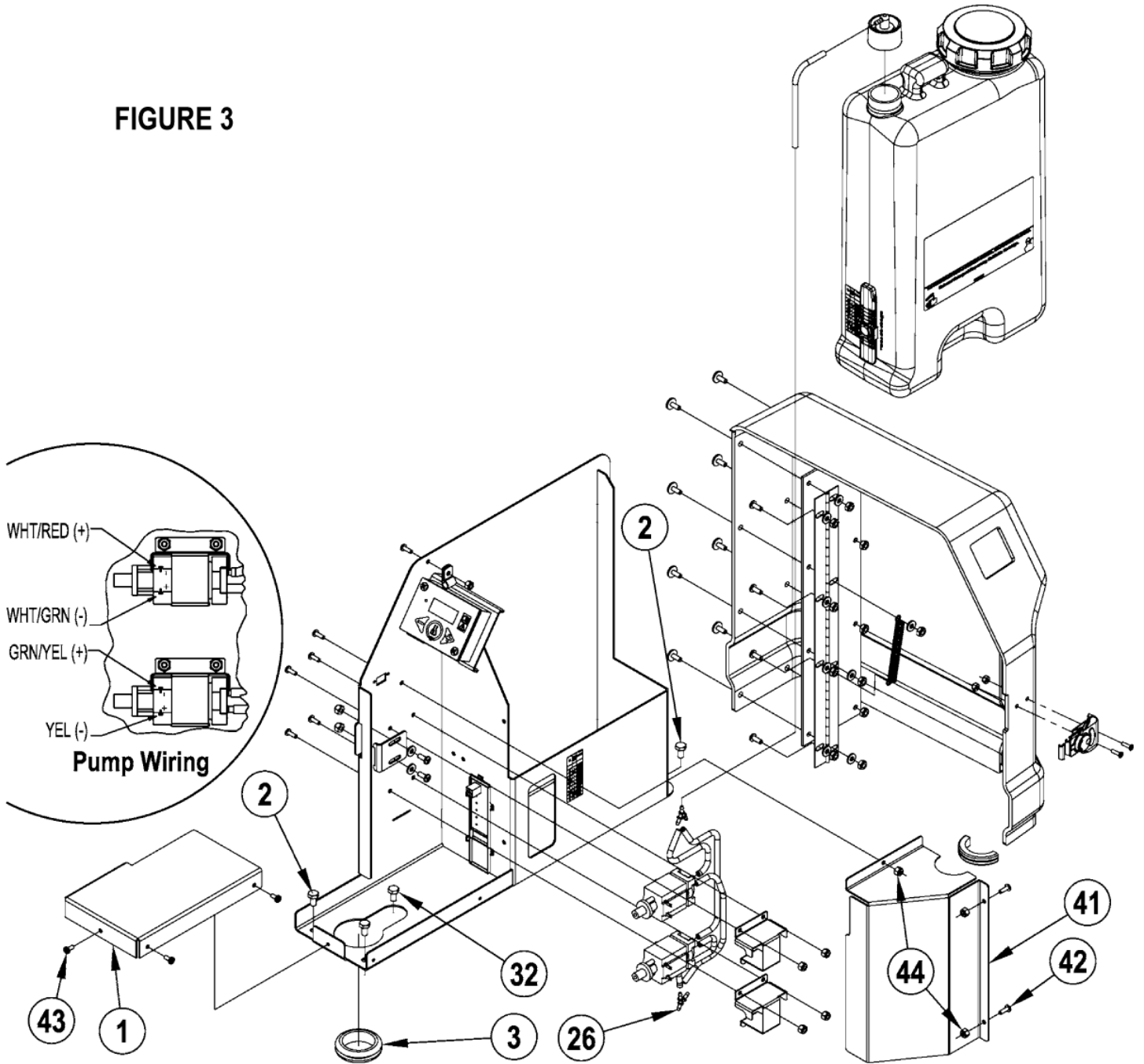
MD Liste de pièces
IS56040965F-IG1

370

Pos	Réf. Pièce	Qté	Description
A	56009063	1	SCR HEX THD FORM 10-24X .25
C	56306125	1	CONTROL BOX ASSY 12 VDC
D	56306149	1	PUMP ASSY 12 VDC
E	56306166	1	HARNESS IC CAPTOR AXP
F	56306179	2	DECAL CR1200 EDS
G	56306180	2	DECAL CR1400 EDS
H	56387316	1	DISJONCTEUR 10A
I	56418387	1	RELAIS OUVERTURE DE
J	56459367	1	BOUTON DE REMISE A ZERO
K	56459825	1	REDUCTEUR
L	56002098	1	LAQUE DE SUPPORT 1/4
M	56002708	1	LIQUET D ARRÊT 1/4 20
N	56409463	1	FIXATION 1 25 TUYAU SU

NOTE: Refer to Main parts list for CR 1100, 1200, 1400 for complete list of replacement parts.

FIGURE 3



56306138 - Chemical Injection Kit 12VDC (engir

CR 1100/1200/1400

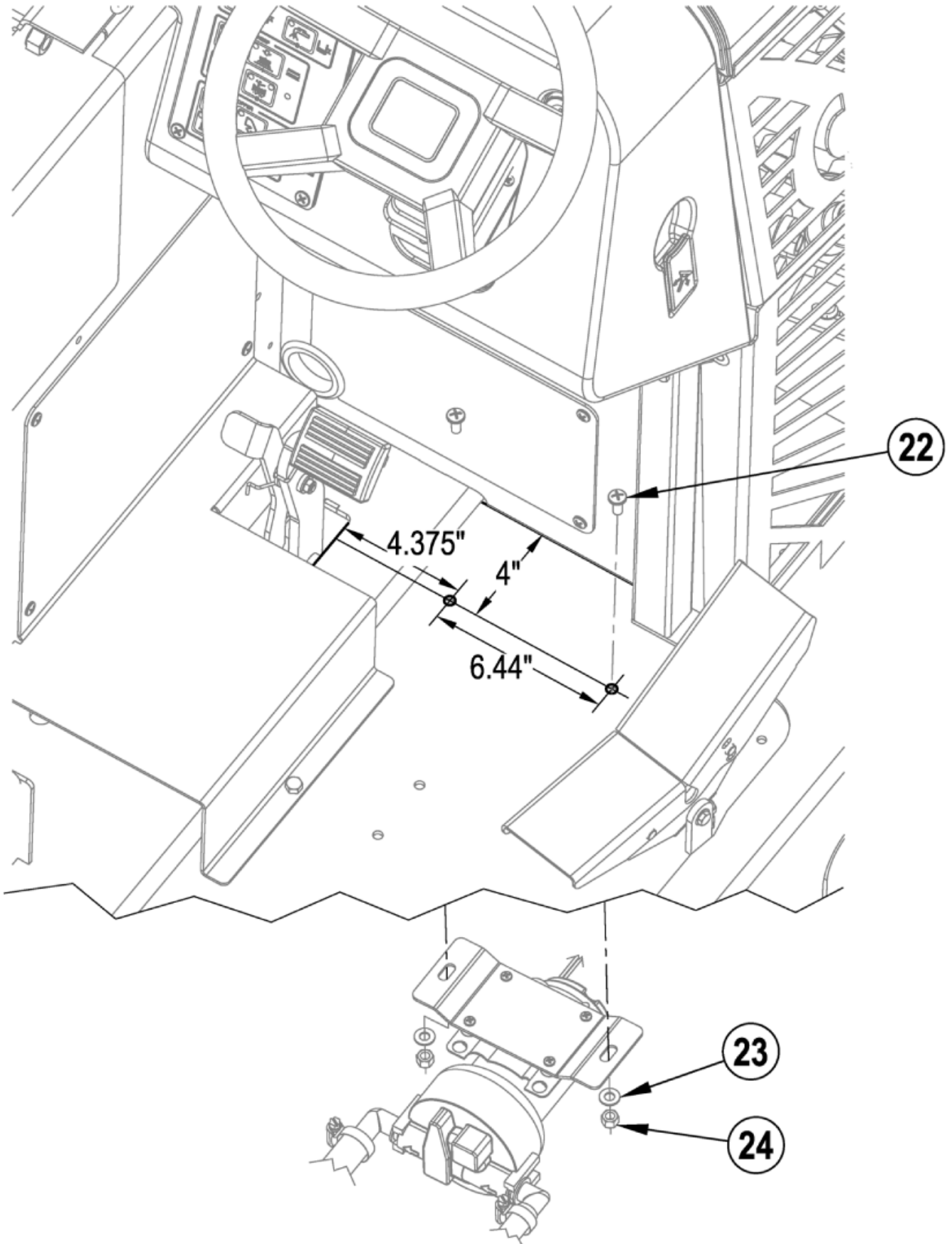
16-02-2015

ID Liste de pièces
IS56040965F-IG3

372

Pos	Réf. Pièce	Qté	Description
1	56306148	1	COVER
2	56009033	4	VIS 6 PANS 1/4 20 X 50
3	56054715	1	GROMMET E00059
32	56009033	1	VIS 6 PANS 1/4 20 X 50
41	56306198	1	PUMP COVER
42	56002003	8	VIS 8 32 X 5
43	56002523	3	SCR PAN HD PHIL HP5 8-32 X .38
44	56002808	8	NUT HEX NYL LOC 8-32

FIGURE 5



56306138 - Chemical Injection Kit 12VDC (engir

CR 1100/1200/1400

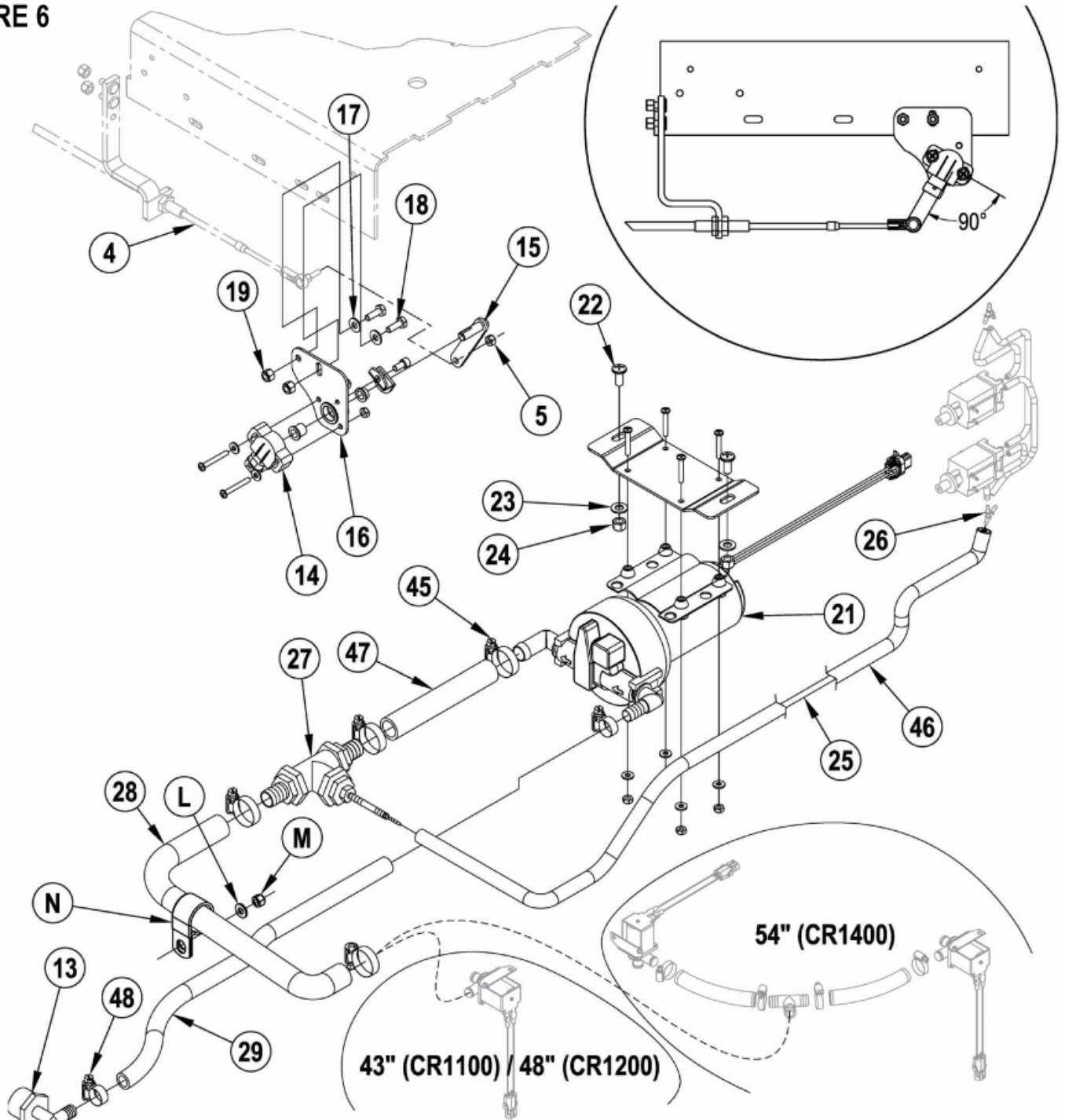
16-02-2015

MD Liste de pièces
IS56040965F-IG5

374

Pos	Réf. Pièce	Qté	Description
22	56002793	2	VIS 5/16-18X0.75
23	56001939	2	RONDELLE PLATE SAE 5/16
24	56002701	2	VIS 5/16 18 X 62

FIGURE 6



56306138 - Chemical Injection Kit 12VDC (engir

CR 1100/1200/1400

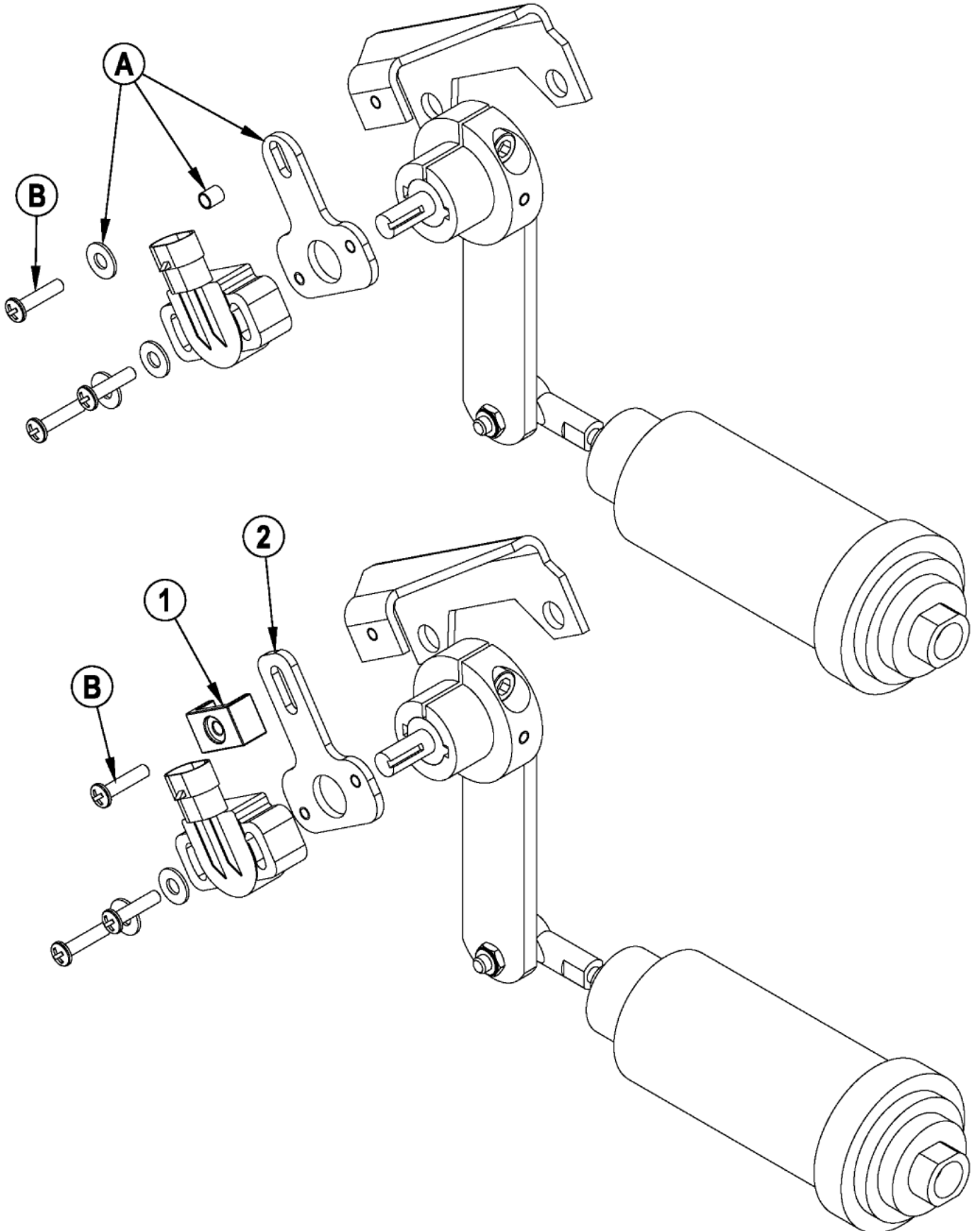
16-02-2015

MD Liste de pièces
IS56040965F-IG6

376

Pos	Réf. Pièce	Qté	Description
13	56900245	1	BARB ELBOW E00037
14	56303313	1	POTENTIOMETRE
15	56306129	1	CONTROL ARM WELDT
16	56306165	1	PIVOT SENSOR WELT
17	56002098	2	LAQUE DE SUPPORT 1/4
18	56002155	2	VIS 1/4 20X.75
19	56002708	2	LIQUET D ARRÊT 1/4 20
22	56002793	2	VIS 5/16-18X0.75
23	56001939	2	RONDELLE PLATE SAE 5/16
24	56002701	2	VIS 5/16 18 X 62
25	56314942	1	TUYAU POMPE KIT CHIMIE EMBARQUE
27	56306194	1	RACCORD EN T DE POMPE EDS
28	56305591	1	HOSE SPIRAL .750 E00605
29	56412277	1	FLEXIBLE DE VIDANGE
45	56244969	4	FIXATION TUYAU SAE 12 E00
46	56306168	1	CONDUIT SOLUTION HOSE 44LG
47	56305762	1	HOSE SPIRAL E00605
48	56219932	2	COLLIER DE FIXATION

CR 1200, 1400



56508926 - Encoder Guide Kit for CR 1200, 140

CR 1100/1200/1400

16-02-2015

ID Liste de pièces
ISS6090011P2

378

Pos	Réf. Pièce	Qté	Description
1	56111895	1	GUIDE
2	56305980	1	PLAQUE DE CAPTEUR