

ENCORE R from serial no. 180337

Model:
ENCORE R 34
ENCORE R 38



Stückliste Deutsch

13-01-2013

Preisabfragen und Bestellungen der Artikel im Shop unter

www.wapalto-shop.de

Sie finden jeden Artikel wenn Sie die Artikelnummer im Shop in das Suchfeld eingeben.
falls die Artikelnummer Leerzeichen beinhaltet geben Sie bitte die Nummer ohne Leerzeichen ein.
Falls kein Artikel in der Suchmaske gefunden wird ist dieser auch nicht mehr lieferbar und es gibt auch keinen Ersatz mehr dafür.

Inhalt

ENCORE R from serial no. 180337

| | |
|---|-----------|
| Frame Assembly | 3 |
| Front wheel Drive | 5 |
| Rear Wheel Assembly | 7 |
| Steering | 9 |
| Console Assembly - 1 | 11 |
| Console assembly - 2 | 13 |
| Console Assembly - 3 | 15 |
| Scrub Deck Lift | 17 |
| Scrub Deck Assembly -34" (before SN180311) | 19 |
| Scrub Deck Assembly - 34" (after SN180310) | 21 |
| Side Squeegee Assembly - 34" (LH) | 23 |
| Side Squeegee Assembly - 34" (RH) | 25 |
| Rear Squeegee Assembly - 34" | 27 |
| Scrub Deck Assembly - 38" (Before SN180311) | 29 |
| Scrub Deck Assembly - 38" (after SN180310) | 31 |
| Side Assembly - 38" (LH) | 33 |
| Side Squeegee Assembly - 38" (RH) | 35 |
| Rear Squeegee Assembly - 38" | 37 |
| Squeegee Lift Assembly | 39 |
| Squeegee Lift Assembly Cont. | 41 |
| Seat Assembly | 43 |
| Vacuum Assembly | 45 |
| Foraward/Reverse Pedal Assembly | 47 |
| Recovery Tank Assembly | 49 |
| Solution Tank Assembly | 51 |
| Solution Control | 53 |
| Decal Assembly | 55 |
| Overhead Guard option | 57 |
| Strobe For Overhead Guard Option No. 0780-553 | 59 |
| Strobe Option No. 0780-555 | 61 |
| Presweep Option-Frame And Flaps Option No. 0780-60 | 63 |
| Presweep Option-Frame And Flaps Option No. 0780-60 | 65 |
| Presweep Option-Broom Drive | 67 |
| Presweep Option-Main Broom | 69 |
| Presweep Option-Dust Control | 71 |
| Presweep Option-Hopper | 73 |
| Presweep Option-Wiring | 75 |
| Secondary Rear Breake Option No. 0780-552 | 77 |
| Light Package Option No. 0780-557 | 79 |

Inhalt

ENCORE R from serial no. 180337

| | |
|---|------------|
| Backup Alarm Option No. 0780-551 (Standard Feature | 81 |
| Squeegee wand Option No. 0780-429 | 83 |
| Dual Vacuum Motor Option No. 0780-427 | 85 |
| Arm Rest Option No. 7-69-00005 | 87 |
| ESP Recovery Option No. 0780-556 | 89 |
| ESP Recovery Option Wiring | 91 |
| Spray wand Option No. 0780-558 | 93 |
| Spray wand Option Control | 95 |
| 370AH Battery Option | 97 |
| 330AH Battery Option | 99 |
| Fire Extinguisher Option No. 0780-462 | 101 |
| BRUSHES AND PAD DRIVERS | 103 |

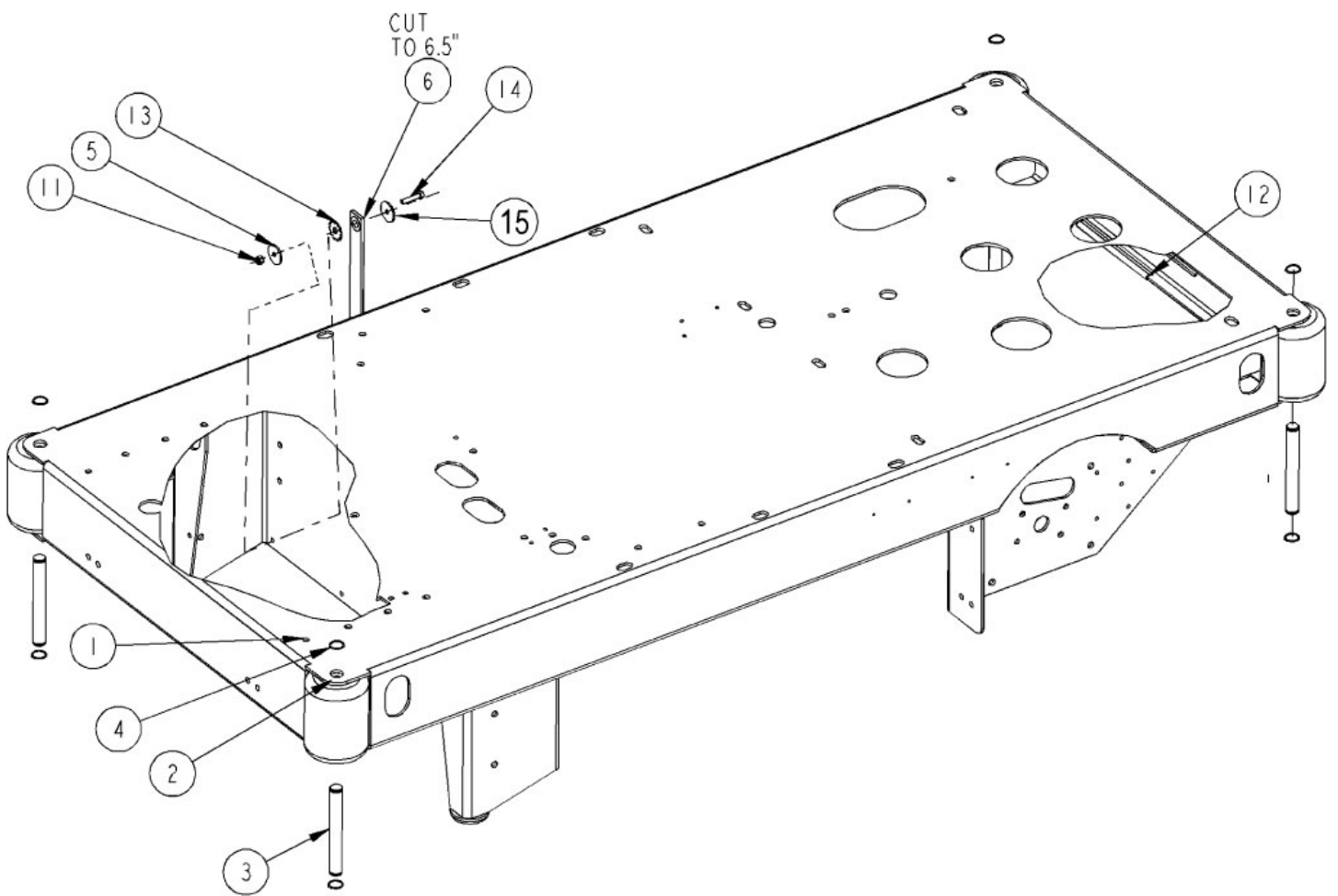
Frame Assembly

ENCORE R from serial no. 180337

13-01-2013

ET-Liste-Nr.
ENCORER01

3



Frame Assembly

ENCORE R from serial no. 180337

13-01-2013

ET-Liste-Nr.
ENCORER01

4

| Pos | Artikelnr. | Me | Beschreibung |
|-----|--------------|----|--|
| 1 | 7-27-07223 | 1 | MAIN FRAME SR5730 |
| 2 | 7-66-05011-1 | 4 | Abweisrolle f. Encore R |
| 3 | 7-70-05175 | 4 | Achse f. Abweisrolle |
| 4 | 2-00-00540 | 8 | Ring Ret EXT 5100 75.75D |
| 5 | 2-00-03266 | 1 | Scheibe - Gebläse, Mod. 772 |
| 6 | 56416517 | 1 | STRAP STATIC |
| 11 | 2-00-00641 | 1 | Mutter 6kt- 1/4-20 |
| 12 | 7-21-04050 | 1 | EDGING FRAME |
| 13 | 2-00-03829 | 1 | Sicherungsscheibe, innen- außenvverzahnt .38 |
| 14 | 2-00-02587 | 1 | Sechskantschraube .25 20 X 1.250 GR5 ZN |
| 15 | 2-00-00447 | 1 | Flachscheibe 1.25X281X.09 ZN |

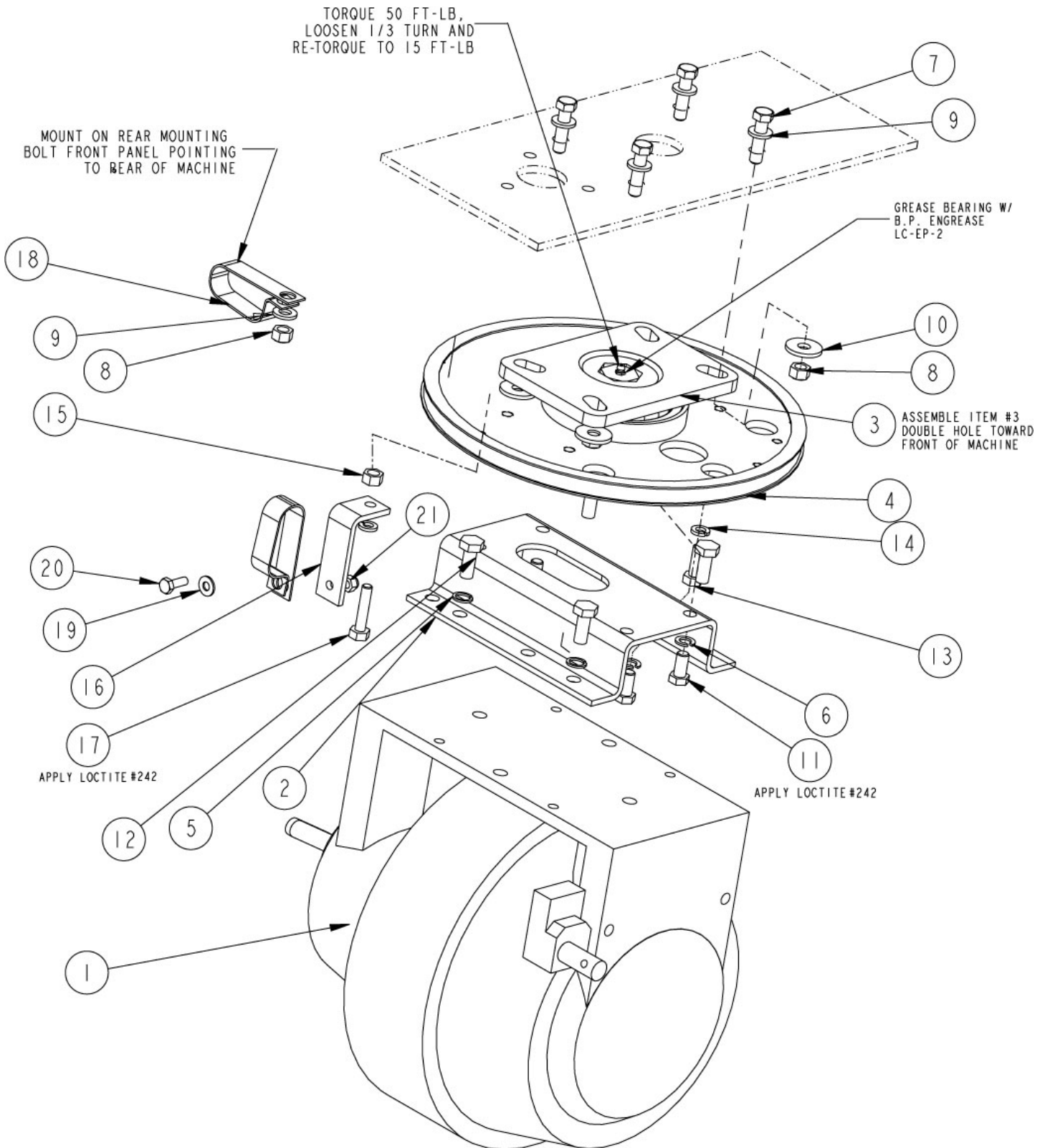
Front wheel Drive

ENCORE R from serial no. 180337

13-01-2013

ET-Liste-Nr.
ENCORER03

5



Front wheel Drive

ENCORE R from serial no. 180337

13-01-2013

ET-Liste-Nr.
ENCORER03

6

| Pos | Artikelnr. | Me | Beschreibung | |
|-----|------------|----|---|------------|
| 0 | 56412325 | 1 | Kohlebürsten-Kit f. BR700 | FOR POS 1 |
| 0 | 7-85-06017 | 1 | Vorderrad | FOR POS. 1 |
| 1 | 0785-091 | 1 | Fahrtrieb kpl. | NOTE 2 |
| 2 | 7-58-05281 | 1 | Halter - Antrieb | |
| 3 | 56109177 | 1 | Lenkeinheit kpl. | NOTE 1 |
| 4 | 7-13-05065 | 1 | Lenkkette | |
| 5 | 2-00-02311 | 4 | LK WSH MED SEC SPL ZN 7/16 BLT | |
| 6 | 2-00-02310 | 4 | Sicherungsring | |
| 7 | 2-00-00234 | 4 | Sechskantschraube .375 16 X 1.50 GR5 ZN | |
| 8 | 2-95-04182 | 5 | Anschlagmutter .375-16 kadmiert | |
| 9 | 2-00-00402 | 5 | Flachscheibe T3/4ODx25/64IDx3 | |
| 10 | 2-00-03266 | 4 | Scheibe - Gebläse, Mod. 772 | |
| 11 | 2-00-04625 | 4 | 6kt-Schraube .375-24X .75 | |
| 12 | 2-00-05006 | 4 | SCREW HHC M10 X 1.50 X 20MM | |
| 13 | 2-00-02708 | 1 | Sechskantschr. m Schlitz- mutter .313 18 X 1.00 | |
| 14 | 2-00-00530 | 2 | Sicherungsscheibe Spiralfeder | |
| 15 | 2-00-02360 | 1 | Sechskantmutter | |
| 16 | 8-31-07013 | 1 | HANGER MOTOR LEAD WIRE | |
| 17 | 2-00-02709 | 1 | Sechskantschr. m Schlitz- mutter .313-18 X 1.50 | |
| 18 | 2-00-05253 | 2 | KLammer | |
| 19 | 2-00-03702 | 1 | Flachscheibe 625X.281X.063 STL.ZN | |
| 20 | 2-00-00221 | 1 | Sechskantschraube .25 20 X .75 GR 8 ZN | |
| 21 | 2-00-00641 | 1 | Mutter 6kt- 1/4-20 | |

NOTE 1: SERVICE PART NUMBER IS 56109178. TO BE ASSEMBLED AS SHOWN WITH DOUBLE HOLE TOWARDS FRONT OF MACHINE.

INDIVIDUAL COMPONENT PARTS AVAILABLE AS SERVICE ITEMS INCLUDE:

NOTE 2: AMER BRUSH KIT 0780-596, TYRE 7-85-06017

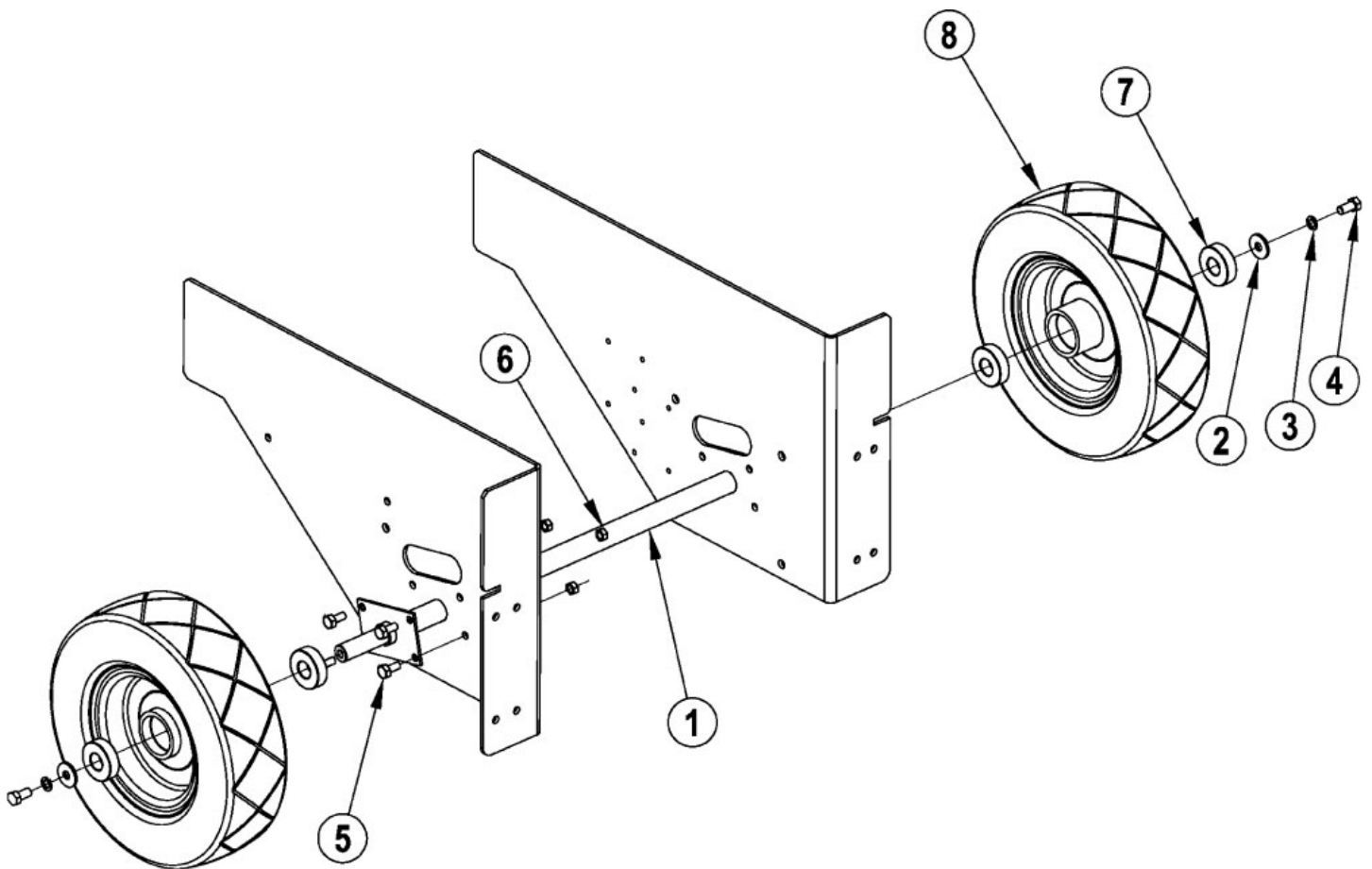
Rear Wheel Assembly

ENCORE R from serial no. 180337

13-01-2013

ET-Liste-Nr.
ENCORER05

7



Rear Wheel Assembly

ENCORE R from serial no. 180337

13-01-2013

ET-Liste-Nr.
ENCORER05

8

| Pos | Artikelnr. | Me | Beschreibung |
|-----|------------|----|--|
| 1 | 7-03-09019 | 1 | Hinterachse |
| 2 | 2-00-01803 | 2 | Dichtung |
| 3 | 2-00-02310 | 2 | Sicherungsring |
| 4 | 2-00-00232 | 2 | Sechskantschraube .375 16 X .75 GR5 ZN |
| 5 | 2-00-00208 | 4 | 85811A-8 |
| 6 | 2-00-00644 | 4 | Fiber-Einpressmutter |
| 7 | 2-00-01139 | 4 | Lager |
| 8 | 7-89-08265 | 2 | Hinterrad |

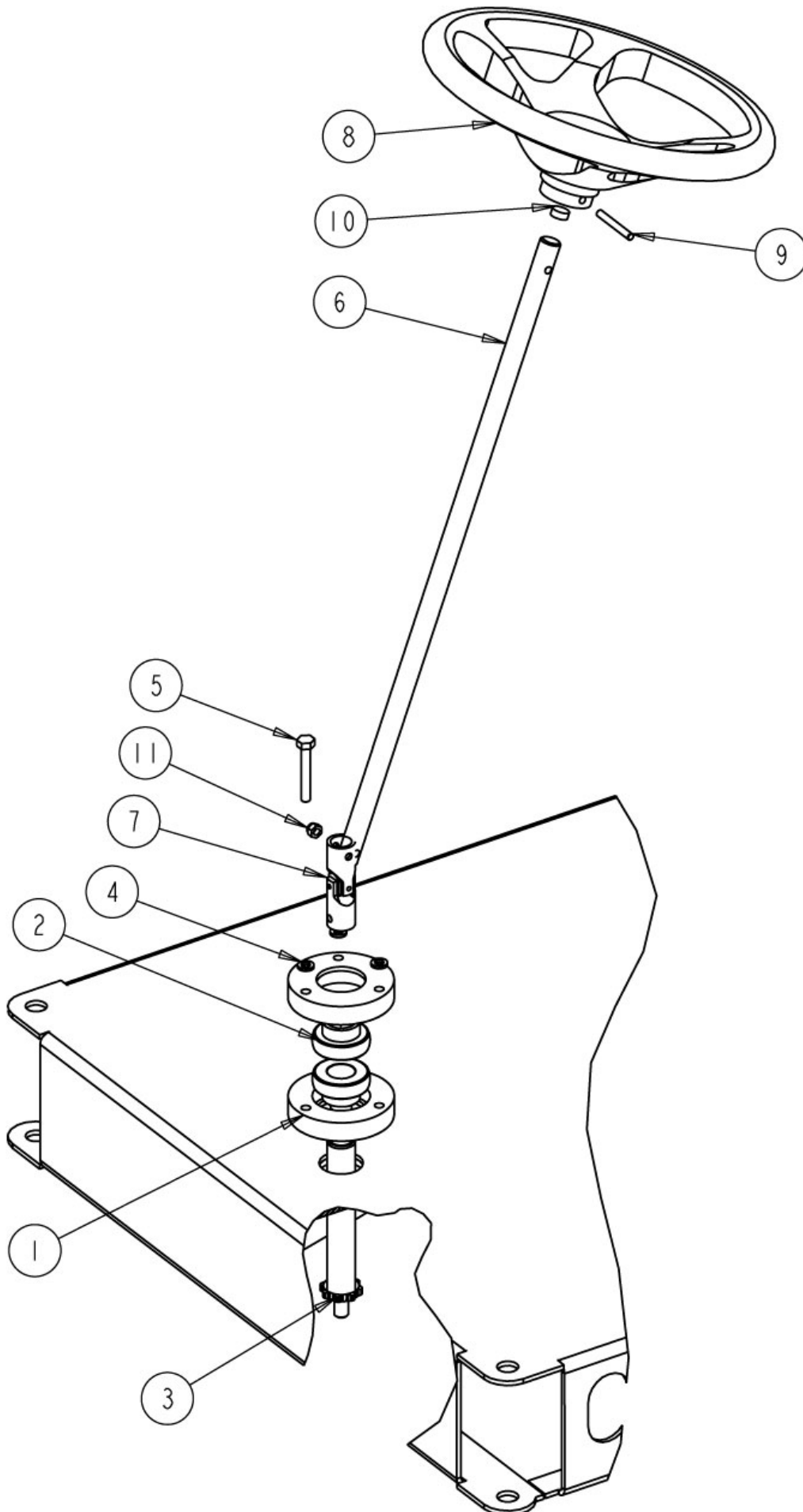
Steering

ENCORE R from serial no. 180337

13-01-2013

ET-Liste-Nr.
ENCORER07

9



Steering

ENCORE R from serial no. 180337

13-01-2013

ET-Liste-Nr.
ENCORER07

10

| Pos | Artikelnr. | Me | Beschreibung |
|-----|------------|----|--------------------------------|
| 1 | 7-25-06031 | 2 | Flansch, Lenkungs- halterung |
| 2 | 2-00-05159 | 2 | Lager 1,0 |
| 3 | 7-70-05182 | 1 | Lenkwelle (ENCORE R) |
| 4 | 2-00-00530 | 3 | Sicherungsscheibe Spiralfeder |
| 5 | 2-00-00227 | 3 | SCREW HHC .313 18 X 2.25 |
| 6 | 7-70-05176 | 1 | Lenkwelle |
| 7 | 7-37-00001 | 1 | Kardangelenk |
| 8 | 7-89-08083 | 1 | Lenkrad |
| 9 | 2-00-05417 | 1 | Spannstift .250 ØX2.00 lg |
| 10 | 7-75-01196 | 1 | Scheibe für Lenkrad Kunststoff |
| 11 | 2-00-00641 | 2 | Mutter 6kt- 1/4-20 |

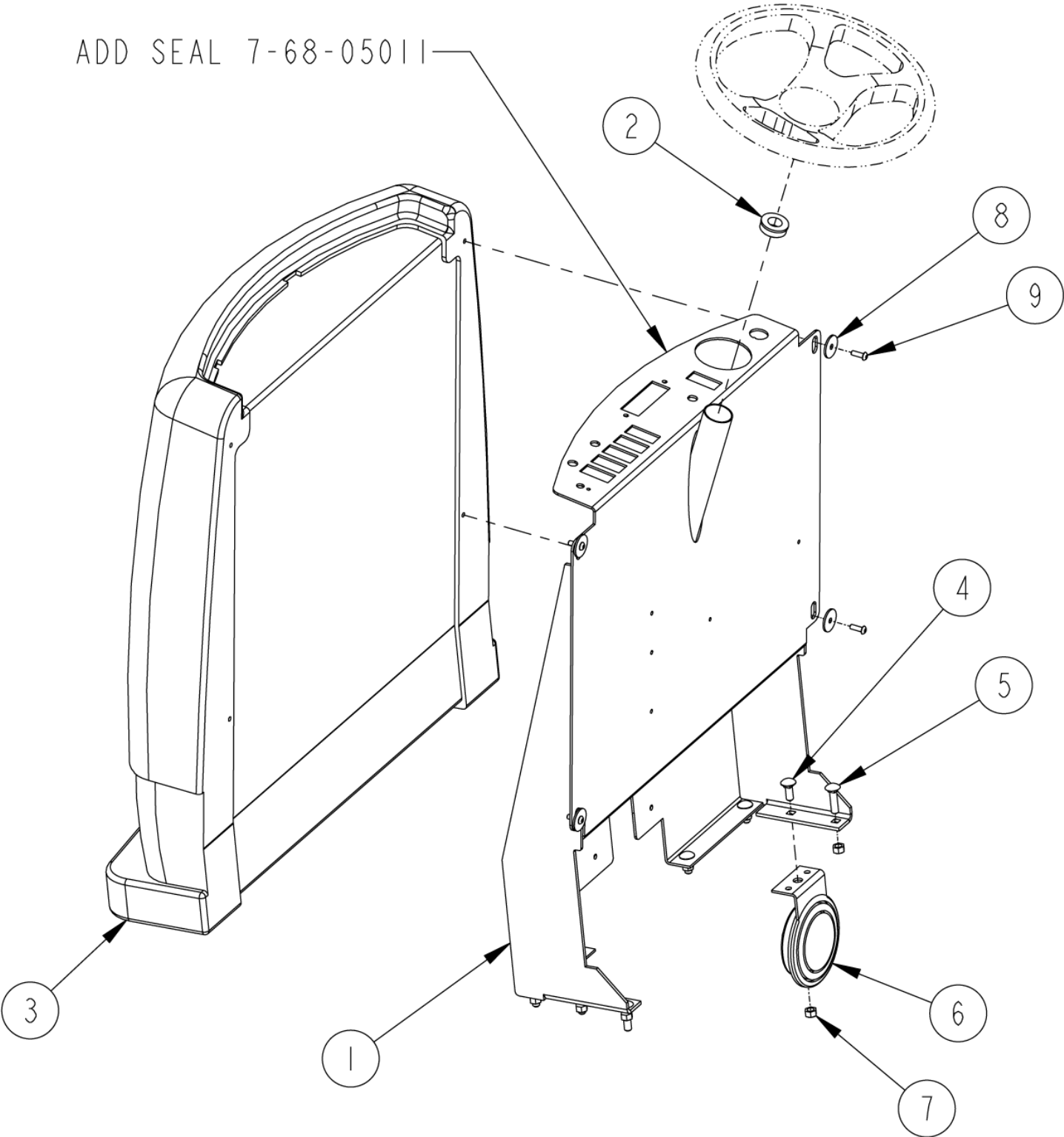
Console Assembly - 1

ENCORE R from serial no. 180337

13-01-2013

ET-Liste-Nr.
ENCORER09

11



Console Assembly - 1

ENCORE R from serial no. 180337

13-01-2013

ET-Liste-Nr.
ENCORER09

12

| Pos | Artikelnr. | Me | Beschreibung |
|-----|------------|----|------------------------------------|
| 1 | 7-52-00192 | 1 | KICK PANEL |
| 2 | 8-06-01084 | 1 | Kunststofflager |
| 3 | 7-33-05121 | 1 | Konsole |
| 4 | 2-00-03855 | 6 | Flachrundschrabe 38-16x1.00 GR5 ZN |
| 5 | 2-00-03750 | 2 | Bolzen |
| 6 | 8-32-09008 | 1 | Hupe |
| 7 | 2-95-04182 | 8 | Anschlagmutter .375-16 kadmiert |
| 9 | 2-00-00447 | 4 | Flachscheibe 1.25X281X.09 ZN |
| 10 | 2-00-04880 | 4 | Halbrund-Schraube 1/4-20 X .75 |

NOTE 1: If You Are Replacing Item #3, You must also order 1 of 56109412 (Alto Decal).

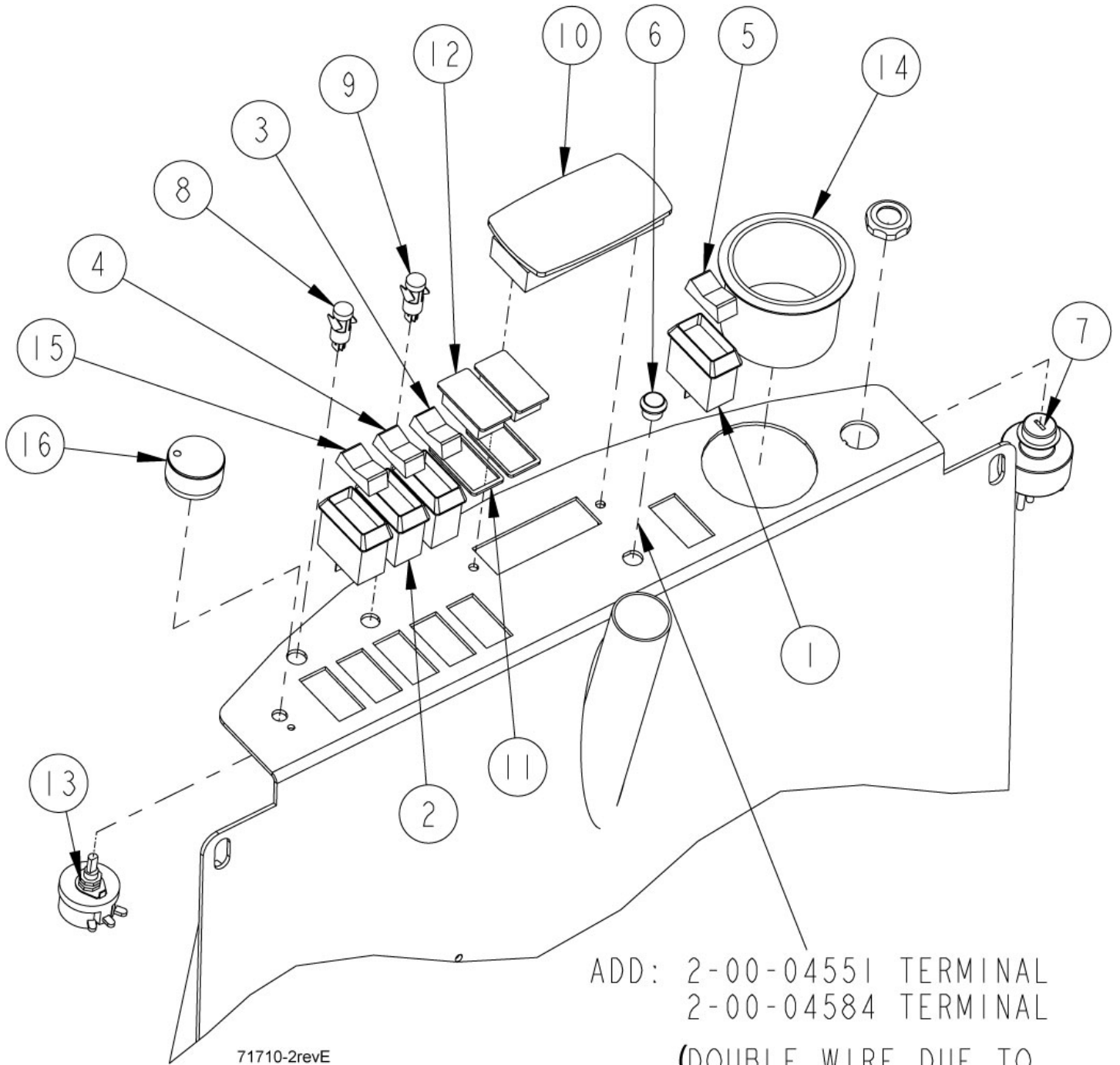
Console assembly - 2

ENCORE R from serial no. 180337

13-01-2013

ET-Liste-Nr.
ENCORER11

13



ADD: 2-00-04551 TERMINAL
2-00-04584 TERMINAL
(DOUBLE WIRE DUE TO
SIZE OF TERMINAL)

71710-2revE

Console assembly - 2

ENCORE R from serial no. 180337

13-01-2013

ET-Liste-Nr.
ENCORER11

14

| Pos | Artikelnr. | Me | Beschreibung |
|-----|------------|----|---|
| 0 | 2-60-02272 | 1 | Passfeder 3400 |
| 1 | 2-00-05845 | 3 | Eaton Schalterkörper |
| 2 | 2-00-05846 | 1 | Eaton Waschdruckschalter |
| 3 | 2-00-05842 | 1 | Schalter Saugfuß |
| 4 | 2-00-05843 | 1 | SCRUB PRESSURE SWITCH ACTUATOR |
| 5 | 2-00-05834 | 1 | Stellelement für Schalter v orwärts/rückwärts |
| 6 | 2-00-05870 | 1 | Taster (Schalter) |
| 7 | 8-82-00041 | 1 | Schlüsselschalter (Zündung) |
| 8 | 7-40-05037 | 1 | Lampe, rot |
| 9 | 7-40-05038 | 1 | Lampe, bernsteinfarben |
| 10 | 7-64-05018 | 1 | INTERFACE-LCD |
| 11 | 2-00-05869 | 2 | EATON SWITCH GASKET |
| 12 | 2-00-05868 | 2 | EATON SWITCH PLATE PLUG |
| 13 | 0795-280 | 1 | Drehschalter Frischwasser |
| 14 | 7-32-03026 | 1 | HOLDER CUP |
| 15 | 2-00-05844 | 1 | Schrubbmodus Schalter- hebel |
| 16 | 7-39-00028 | 1 | Drehknopf , Frisch- wasserfluss |

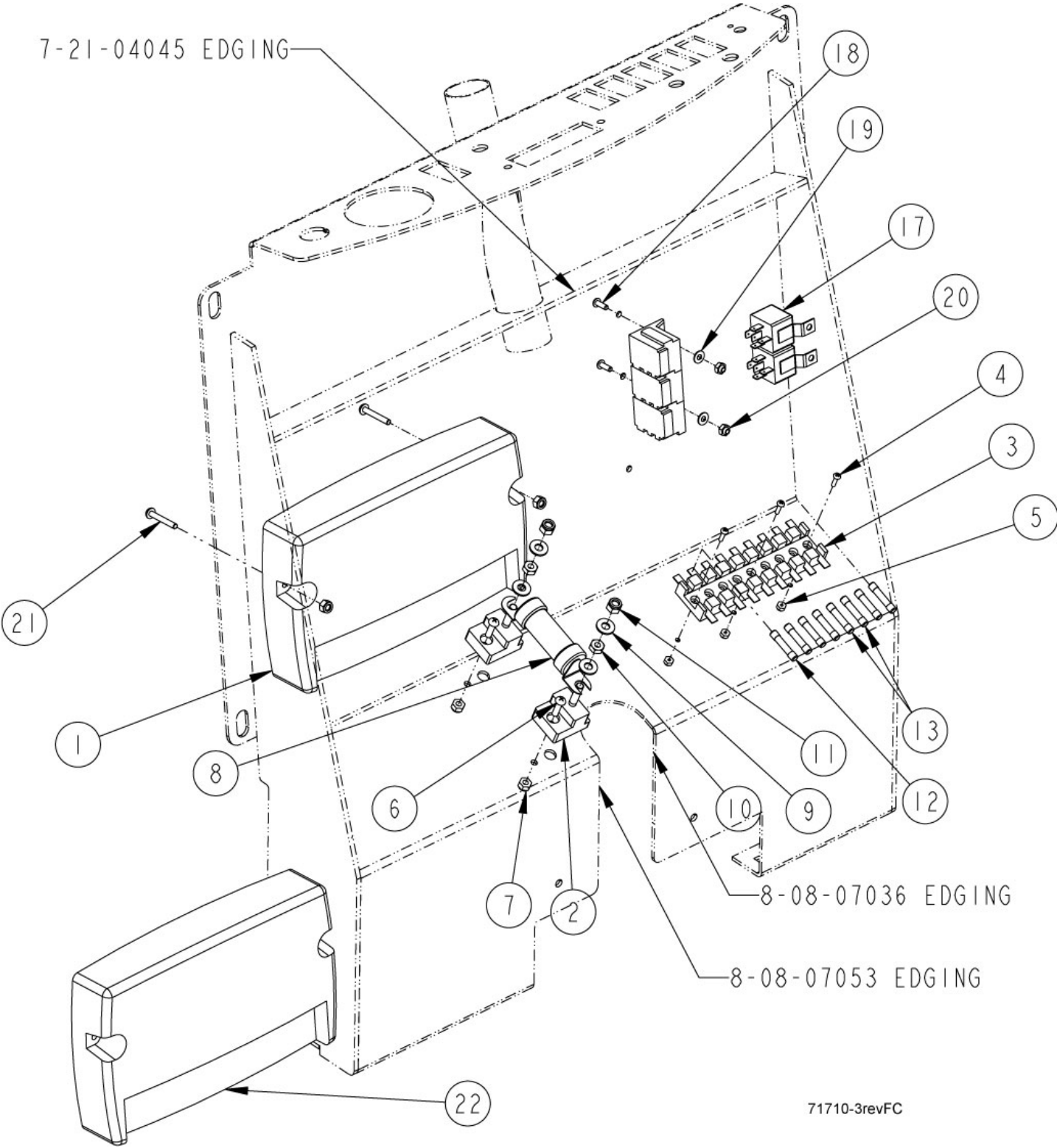
Console Assembly - 3

ENCORE R from serial no. 180337

13-01-2013

ET-Liste-Nr.
ENCORER13

15



Console Assembly - 3

ENCORE R from serial no. 180337

13-01-2013

ET-Liste-Nr.
ENCORER13

16

| Pos | Artikelnr. | Me | Beschreibung |
|-----|------------|----|-----------------------------------|
| 1 | 7-64-05019 | 1 | Steuerung TRIO PLUS |
| 2 | 8-06-05004 | 2 | Sicherungshalter |
| 3 | 2-00-05862 | 1 | BLOCK BUSSMAN S 820108 FUSE |
| 4 | 2-00-00093 | 3 | SCREW RHM 6 32 X .75 |
| 5 | 2-00-00645 | 3 | NUT HEX INS FIBRE 6 32 ZN |
| 6 | 2-00-00056 | 2 | Schraube |
| 7 | 2-00-01246 | 4 | Buchseneinsatz |
| 8 | 8-28-05021 | 1 | Sicherung 120 A |
| 9 | 2-00-03702 | 4 | Flachscheibe 625X.281X.063 STL.ZN |
| 10 | 2-00-00594 | 2 | Mutter 6kt- 1/4-20 |
| 11 | 2-00-00641 | 2 | Mutter 6kt- 1/4-20 |
| 12 | 2-00-05860 | 6 | Sicherung, Bussman ABC-10 Glas |
| 13 | 2-00-05861 | 2 | Sicherung, Bussman ABC-2 Glas |
| 14 | 0795-169 | 1 | HARNESS MACHINE 5730 |
| 15 | 0795-175 | 1 | HARNESS TRACTION MOTOR 5730 |
| 16 | 0795-176 | 1 | HARNESS SCRUB DRIVE 5730 |
| 17 | 8-64-00019 | 2 | Schutzschalter 15 A |
| 18 | 2-00-00044 | 2 | SCREW PH RHM 8 32 X.50 ZN |
| 19 | 2-00-00460 | 2 | WSHR FLAT .438X.192X.031 STL. |
| 20 | 2-00-01372 | 2 | Mutter |
| 21 | 2-00-00071 | 2 | SCREW RHM 10 24 X 1.25 |
| 22 | 7-64-05022 | 1 | CONTROLLER MOTOR |

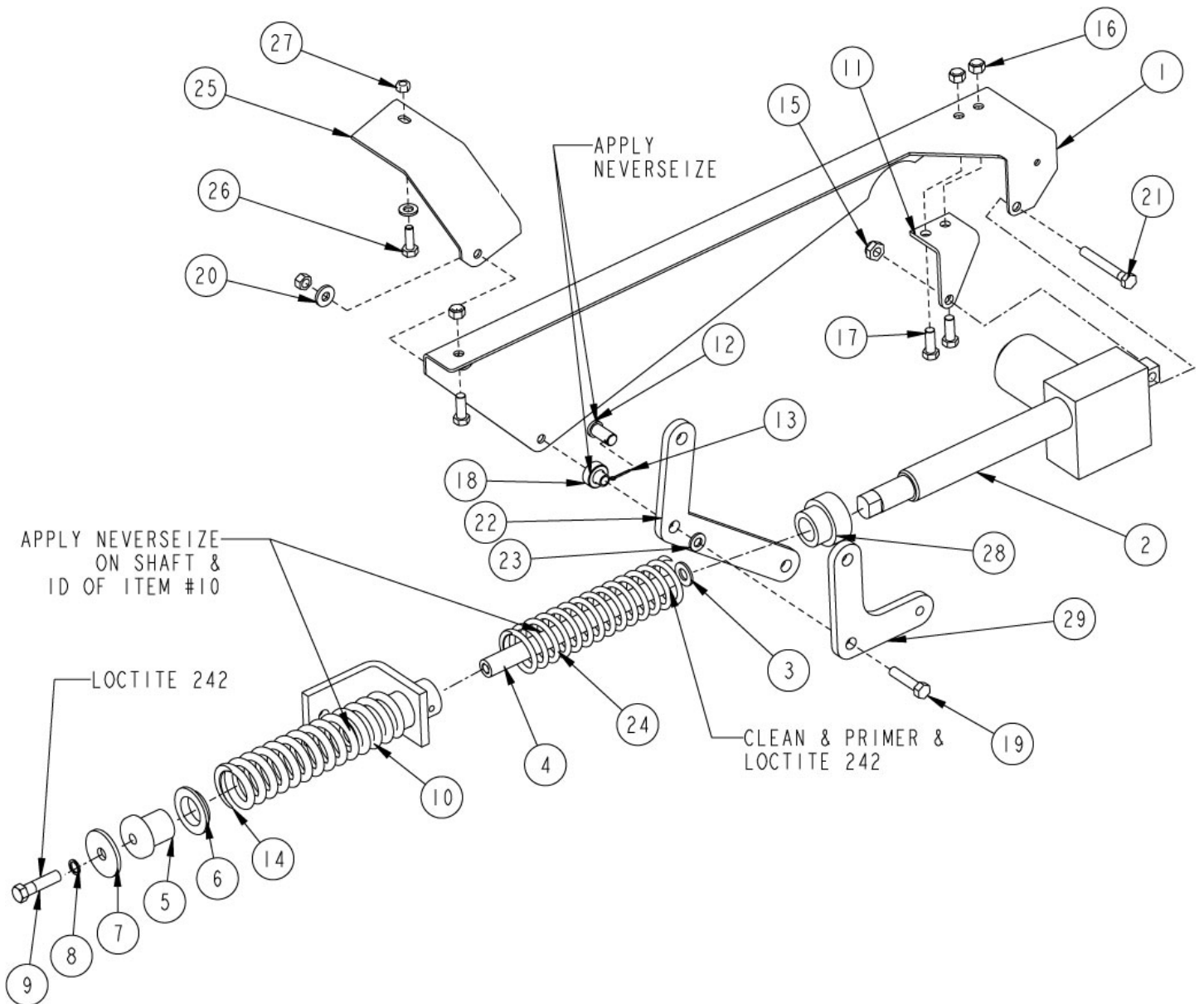
Scrub Deck Lift

ENCORE R from serial no. 180337

13-01-2013

ET-Liste-Nr.
ENCORER15

17



Scrub Deck Lift

ENCORE R from serial no. 180337

13-01-2013

ET-Liste-Nr.
ENCORER15

18

| Pos | Artikelnr. | Me | Beschreibung |
|-----|------------|----|---|
| 1 | 7-81-00264 | 1 | Aufnahme für Regler |
| 2 | 0782-182 | 1 | ACTUATOR SCRUB DECK |
| 3 | 2-00-00405 | 4 | Scheibe |
| 4 | 7-66-00203 | 1 | Stab Bürstenfeder |
| 5 | 7-09-01157 | 1 | BUSHING |
| 6 | 7-23-03120 | 1 | WASHER SPRING GUIDE |
| 7 | 2-00-05414 | 1 | .5 X 2 X .1875 WASHER |
| 8 | 2-00-02311 | 1 | LK WSH MED SEC SPL ZN 7/16 BLT |
| 9 | 2-00-02611 | 1 | 6kt-Schraube .438-14 X 1. |
| 10 | 7-03-04238 | 1 | ARM PIVOT SR5730 |
| 11 | 7-57-05069 | 1 | PIVOT |
| 12 | 7-55-08158 | 1 | Stift Bürstenabhebezapfen |
| 13 | 2-00-02428 | 1 | Splint 063 Ø X 75 STL ZN |
| 14 | 7-76-00128 | 1 | Feder 157lb/in |
| 15 | 2-00-00643 | 1 | NUT INS FIBRE .38 16 ZN PL |
| 16 | 2-95-04182 | 4 | Anschlagmutter .375-16 kadmiert |
| 17 | 2-00-00233 | 3 | 85823A-4 |
| 18 | 7-09-01159 | 1 | Tülle Schrubbdeck |
| 19 | 2-00-00235 | 1 | Sechskantschraube .375-16 X 1,75 |
| 20 | 2-00-04801 | 1 | Flachscheibe 875X380X.120TH ZN |
| 21 | 2-00-04699 | 1 | SCREW HHC .375 16X2.75 GRADE8 |
| 22 | 7-03-04239 | 1 | Hebel für Schrubbdeck |
| 23 | 2-00-00402 | 2 | Flachscheibe T3/4ODx25/64IDx3 |
| 24 | 7-76-00129 | 1 | Feder 51lb/in |
| 25 | 7-08-02053 | 1 | Rahmen Bürstendeckanhebung nicht mehr lieferbar |
| 26 | 2-00-02708 | 1 | Sechskantschr. m Schlitz- mutter .313 18 X 1.00 |
| 27 | 2-00-00644 | 1 | Fiber-Einpressmutter |
| 28 | 7-75-01272 | 1 | SPACER SPRING |
| 29 | 7-03-04244 | 1 | ARM ACTUATOR |

NOTE 1: Service Kit Is P/N 0780-654 And Includes: 0782-182 Actuator and 7-75-01272 Spacer

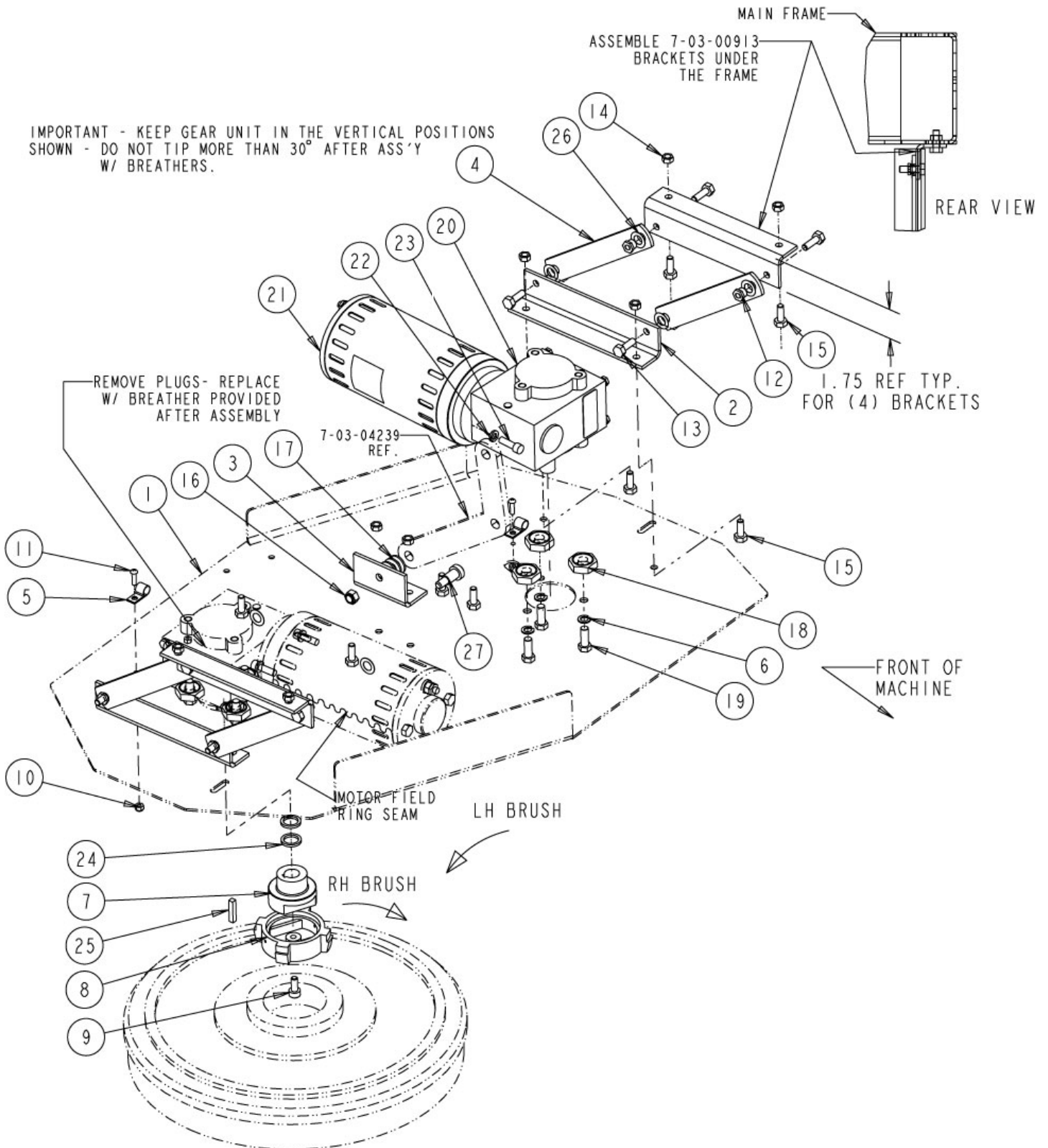
Scrub Deck Assembly -34" (before SN180311)

ENCORE R from serial no. 180337

13-01-2013

ET-Liste-Nr.
ENCORER17

19



Scrub Deck Assembly -34" (before SN180311

ENCORE R from serial no. 180337

13-01-2013

ET-Liste-Nr.
ENCORER17

20

| Pos | Artikelnr. | Me | Beschreibung | |
|-----|--------------|----|---|-----------|
| 0 | 7-06-05008 | 2 | BLOCK FERRITE | NOT SHOWN |
| 1 | 7-27-07191-1 | 1 | SCRUB DECK 34 ENCORE R | |
| 2 | 7-08-00913 | 4 | BRACKET BRUSH ARM | |
| 3 | 7-08-00914 | 1 | BRACKET BRUSH LOAD | |
| 4 | 7-03-04176 | 4 | Verbindungsstück Bürstenrahmen | |
| 5 | 2-00-04602 | 2 | CLAMP HOSE SINGLE 1/2 O.D. | |
| 6 | 2-00-02310 | 6 | Sicherungsring | |
| 7 | 7-33-09034 | 2 | Bürstenantrieb | |
| 8 | 7-20-00006 | 2 | Bürstenantrieb, Steckteil mit Nabe | |
| 9 | 2-00-03214 | 2 | Schraube 5/16 - 18 | |
| 10 | 2-00-01246 | 2 | Buchseneinsatz | |
| 11 | 2-00-00056 | 2 | Schraube | |
| 12 | 7-23-03056 | 8 | Mutter Spanriemenscheibe | |
| 13 | 2-00-02708 | 8 | Sechskantschr. m Schlitz- mutter .313 18 X 1.00 | |
| 14 | 2-00-00644 | 1 | Fiber-Einpressmutter | |
| 15 | 2-00-01255 | 1 | 6-kantschr. .313-18x.875 | |
| 16 | 2-00-05297 | 1 | Fiber-Einpressmutter 38-16 HEAV | |
| 17 | 2-00-00405 | 3 | Scheibe | |
| 18 | 2-00-00596 | 6 | Mutter | |
| 19 | 2-00-00233 | 6 | 85823A-4 | |
| 20 | 0785-088 | 2 | Reduktions-Getriebe (18,5 :1) "ENCORE" | |
| 21 | 0782-144 | 2 | Bürstenmotor | |
| 22 | 2-00-00530 | 4 | Sicherungsscheibe Spiralfeder | |
| 23 | 2-00-00809 | 4 | Schraube 18x1.00 | |
| 24 | 2-00-03169 | 4 | Distanzstück SE | |
| 25 | 2-00-00706 | 2 | Passfeder - Sauglippe, | |
| 26 | 2-00-03382 | 8 | Klemmscheibe, rüttelsicher, 350 | |
| 27 | 2-00-05401 | 1 | SHOULDER SCREW 1/2 3/4 SHLDR. | |

NOTE 1: The Ferrite Blocks are clamped around the positive and negative cables of both brush drive motors.

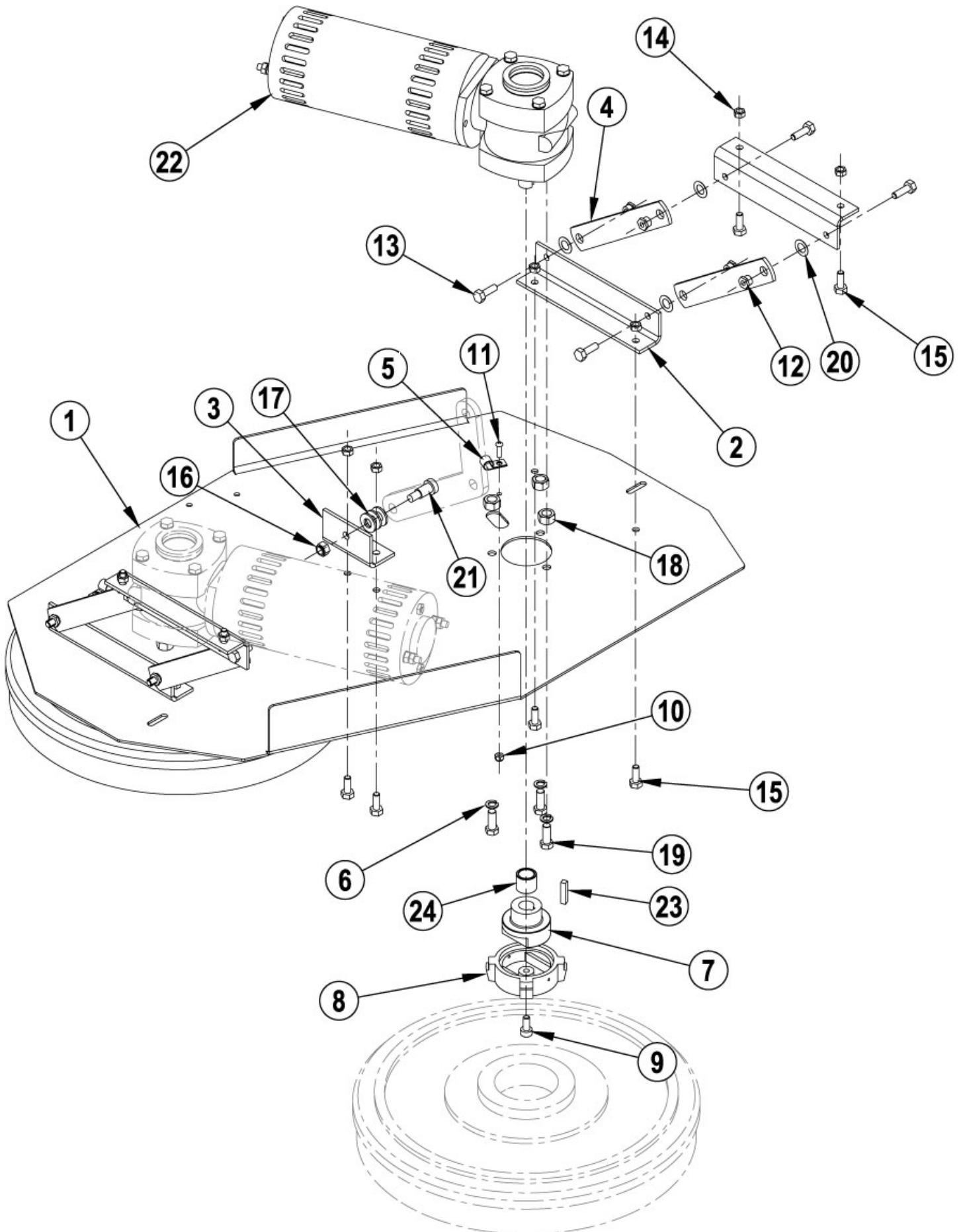
Scrub Deck Assembly - 34" (after SN180310)

ENCORE R from serial no. 180337

13-01-2013

ET-Liste-Nr.
ENCORER19

21



Scrub Deck Assembly - 34" (after SN180310)

ENCORE R from serial no. 180337

13-01-2013

ET-Liste-Nr.
ENCORER19

22

| Pos | Artikelnr. | Me | Beschreibung | |
|-----|------------|----|---|-----------|
| 0 | 7-75-01273 | 2 | SPACER | NOT SHOWN |
| 1 | 7-27-07244 | 1 | SCRUB DECK 34 | |
| 2 | 7-08-00913 | 4 | BRACKET BRUSH ARM | |
| 3 | 7-08-00914 | 1 | BRACKET BRUSH LOAD | |
| 4 | 7-03-04176 | 4 | Verbindungsstück Bürstenrahmen | |
| 5 | 2-00-04602 | 2 | CLAMP HOSE SINGLE 1/2 O.D. | |
| 6 | 2-00-02310 | 6 | Sicherungsring | |
| 7 | 7-33-09034 | 2 | Bürstenantrieb | |
| 8 | 7-20-00006 | 2 | Bürstenantrieb, Steckteil mit Nabe | |
| 9 | 2-00-03214 | 2 | Schraube 5/16 - 18 | |
| 10 | 2-00-01246 | 2 | Buchseneinsatz | |
| 11 | 2-00-00056 | 2 | Schraube | |
| 12 | 7-23-03056 | 8 | Mutter Spanriemenscheibe | |
| 13 | 2-00-02708 | 8 | Sechskantschr. m Schlitz- mutter .313 18 X 1.00 | |
| 14 | 2-00-00644 | 10 | Fiber-Einpressmutter | |
| 15 | 2-00-01255 | 10 | 6-kantschr. .313-18x.875 | |
| 16 | 2-00-05297 | 1 | Fiber-Einpressmutter 38-16 HEAV | |
| 17 | 2-00-00405 | 3 | Scheibe | |
| 18 | 2-00-00596 | 6 | Mutter | |
| 19 | 2-00-00233 | 6 | 85823A-4 | |
| 20 | 2-00-03382 | 8 | Klemmscheibe, rüttelsicher, 350 | |
| 21 | 2-00-05401 | 1 | SHOULDER SCREW 1/2 3/4 SHLDR. | |
| 22 | 0785-100 | 2 | Abgeschrägtes Getriebe f. Motor | |
| 23 | 2-00-00706 | 2 | Passfeder - Sauglippe, | |
| 24 | 7-06-05008 | 2 | BLOCK FERRITE | |

NOTE 1: The Ferrite Blocks are clamped around the positive and negative cables of both brush drive motors.

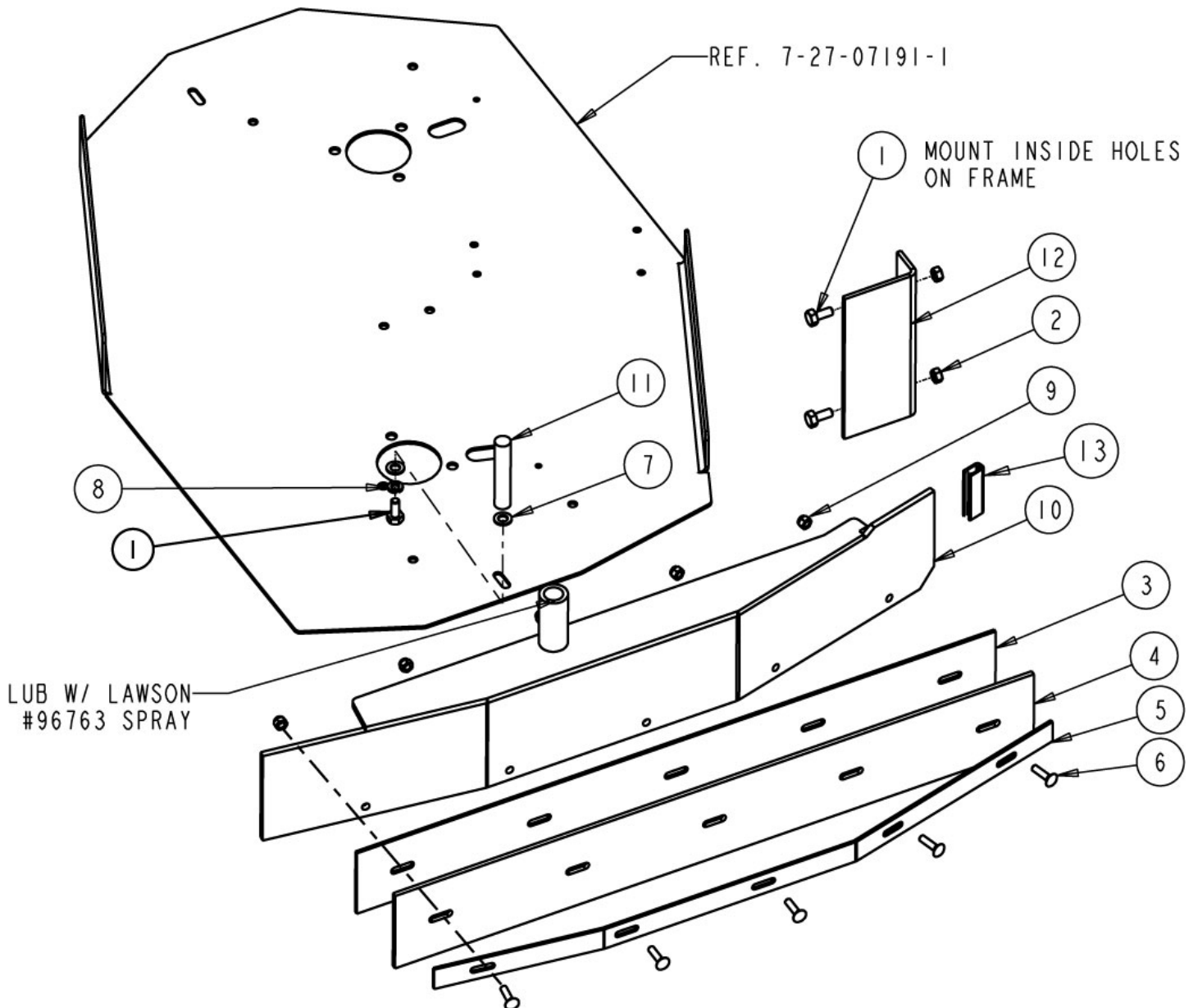
Side Squeegee Assembly - 34" (LH)

ENCORE R from serial no. 180337

13-01-2013

ET-Liste-Nr.
ENCORER21

23



Side Squeegee Assembly - 34" (LH)

ENCORE R from serial no. 180337

13-01-2013

ET-Liste-Nr.
ENCORER21

24

| Pos | Artikelnr. | Me | Beschreibung |
|-----|------------|----|--|
| 1 | 2-00-00208 | 3 | 85811A-8 |
| 2 | 2-00-00644 | 2 | Fiber-Einpressmutter |
| 3 | 7-77-00119 | 1 | Seitensauglippe links innen Standard |
| 4 | 7-77-00120 | 1 | Seitensauglippe links außen Gummi Standard |
| 5 | 7-13-07183 | 1 | Klammer, rechts Sauglippe |
| 6 | 2-00-02196 | 5 | Flachrundschrabe |
| 7 | 2-00-00409 | 2 | 980651-4 |
| 8 | 2-00-00530 | 1 | Sicherungsscheibe Spiralfeder |
| 9 | 2-00-00641 | 5 | Mutter 6kt- 1/4-20 |
| 10 | 7-86-08074 | 1 | TOOL LH SIDE SQUEEGEE 34 |
| 11 | 7-55-08180 | 1 | PIN-SIDE SQUEEGEE LOCK |
| 12 | 7-08-01169 | 1 | BRKT SIDE SQUEEGEE |
| 13 | 7-21-04042 | 1 | EDGING SIDE BROOM BELT 91WS |

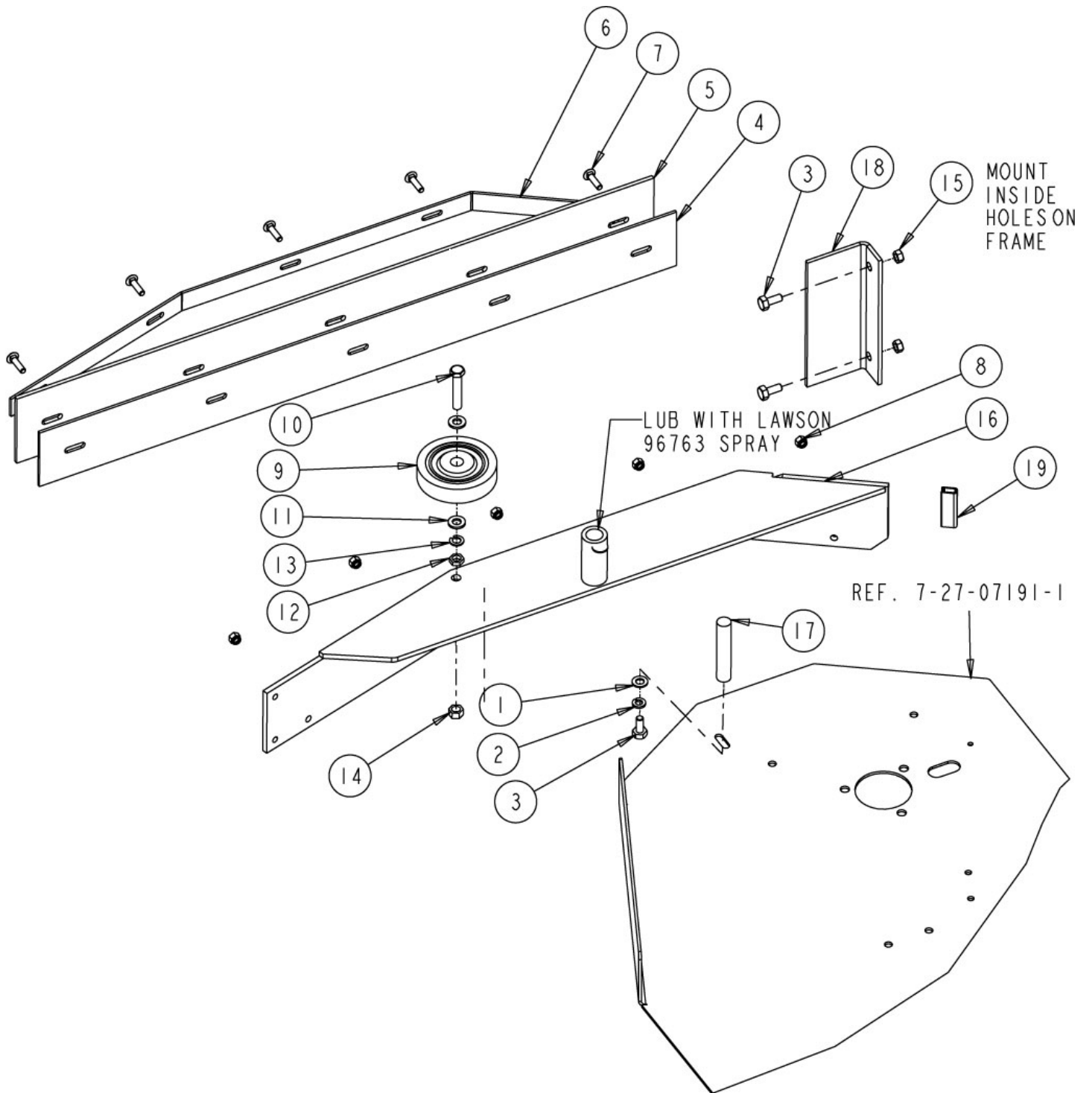
Side Squeegee Assembly - 34" (RH)

ENCORE R from serial no. 180337

13-01-2013

ET-Liste-Nr.
ENCORER23

25



Side Squeegee Assembly - 34" (RH)

ENCORE R from serial no. 180337

13-01-2013

ET-Liste-Nr.
ENCORERZ3

26

| Pos | Artikelnr. | Me | Beschreibung |
|-----|------------|----|---|
| 1 | 2-00-00409 | 2 | 980651-4 |
| 2 | 2-00-00530 | 1 | Sicherungsscheibe Spiralfeder |
| 3 | 2-00-00208 | 3 | 85811A-8 |
| 4 | 7-77-00118 | 1 | Seitensauglippe rechts innen Standard |
| 5 | 7-77-00121 | 1 | Seitensauglippe rechts außen Gummi Standard |
| 6 | 7-13-07182 | 1 | Klammer, links, Sauglippe |
| 7 | 2-00-02196 | 5 | Flachrundschraube |
| 8 | 2-00-00641 | 5 | Mutter 6kt- 1/4-20 |
| 9 | 7-89-08023 | 1 | Rad |
| 10 | 2-00-00216 | 1 | Sechskantschraube .375 16 X 2.00 GR 5 ZN |
| 11 | 2-00-00402 | 2 | Flachscheibe T3/4ODx25/64IDx3 |
| 12 | 2-00-02369 | 1 | Sicherungsmutter |
| 13 | 2-00-02310 | 1 | Sicherungsring |
| 14 | 2-00-02360 | 1 | Sechskantmutter |
| 15 | 2-00-00644 | 2 | Fiber-Einpressmutter |
| 16 | 7-86-08075 | 1 | Grundplatte Saugfuss rechts |
| 17 | 7-55-08180 | 1 | PIN-SIDE SQUEEGEE LOCK |
| 18 | 7-08-01169 | 1 | BRKT SIDE SQUEEGEE |
| 19 | 7-21-04042 | 1 | EDGING SIDE BROOM BELT 91WS |

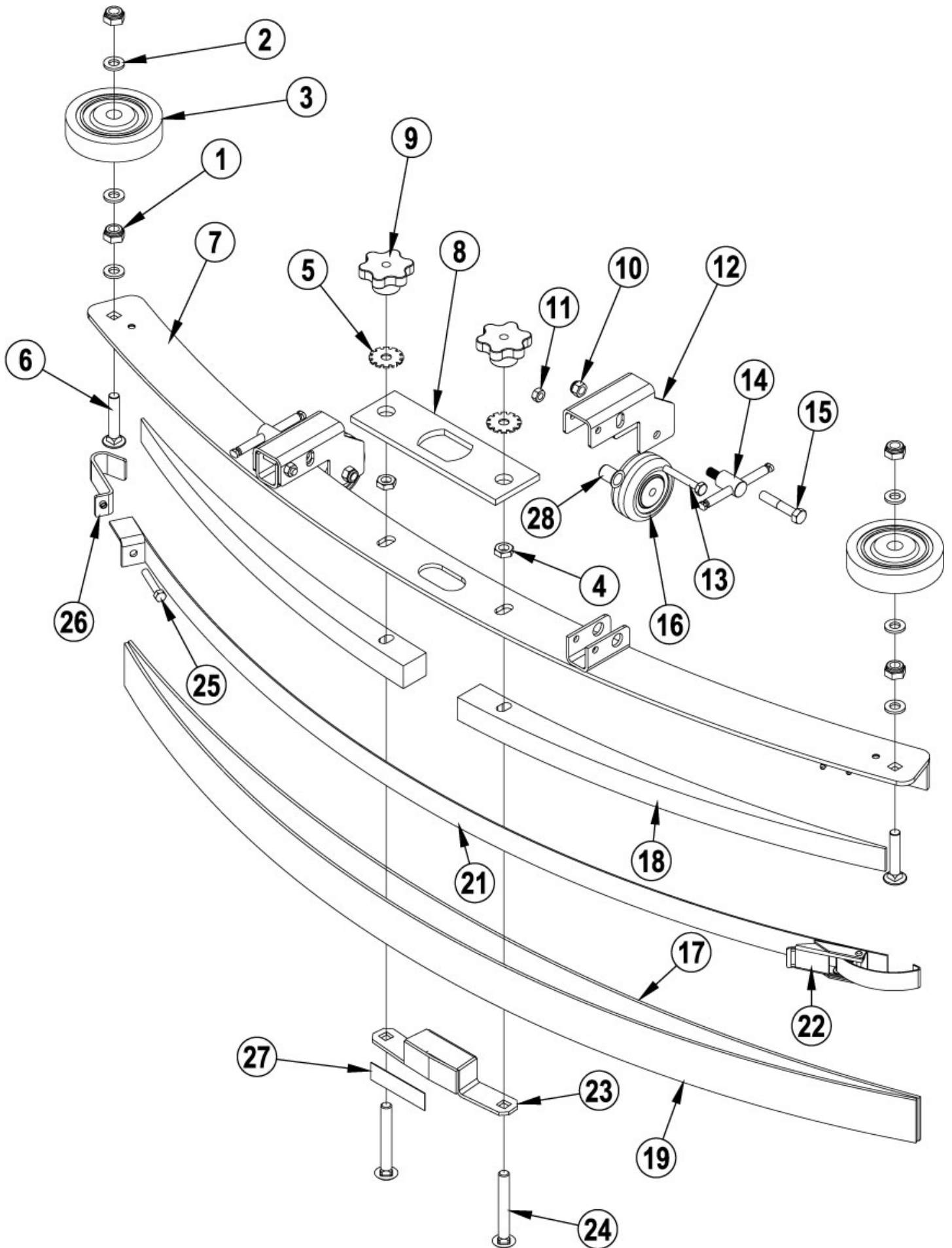
Rear Squeegee Assembly - 34"

ENCORE R from serial no. 180337

13-01-2013

ET-Liste-Nr.
ENCORER25

27



Rear Squeegee Assembly - 34"

ENCORE R from serial no. 180337

13-01-2013

ET-Liste-Nr.
ENCORER25

28

| Pos | Artikelnr. | Me | Beschreibung | |
|-----|------------|----|--|-----------|
| | 56109399 | 1 | Saugleiste 34" | |
| 1 | 2-00-00643 | 4 | NUT INS FIBRE .38 16 ZN PL | |
| 2 | 2-00-00402 | 6 | Flachscheibe T3/4ODx25/64IDx3 | |
| 3 | 7-89-08023 | 2 | Rad | |
| 4 | 81301A | 6 | Selbsthemmende Mutter 3/8-16 SS | |
| 6 | 56003608 | 2 | SCR CARRIAGE 3/8 16 X 2.00 | |
| 7 | 69674A | 1 | Sauglippe geschweißt | |
| 8 | 7-29-00243 | 1 | Dichtung | |
| 9 | 25201B | 2 | Drehknopf, Saugfuß | |
| 10 | 920110 | 2 | Sicherungsmutter 5/16-18 REG(metallüberz.) | |
| 11 | 81104A | 2 | Mutter 1/2-20, Esna Typ SS | |
| 12 | 65975A | 2 | Klammer - Rad Sauglippe | |
| 13 | 85702A | 2 | Sechskantschraube 1/4-20X1&3/4 ST CAP | |
| 14 | 64905A | 2 | Griff kpl., T (ENCORE) | |
| 15 | 85816A | 2 | Sechskantschraube 5/16-18 X 1 3/4 | |
| 16 | 59971A | 2 | Rad, Sauglippe | |
| 17 | 30717A | 1 | Sauglippe vorne (innen), Gummi | |
| 18 | 38711A | 2 | Distanzstück, Sauglippe | |
| 19 | 30913A | 1 | Sauglippe hinten/außen, Gummi | |
| 20 | 170932 | 2 | Niet 4,8x3,175 | NOT SHOWN |
| 21 | 62443A | 1 | Schelle geschweißt, Sauglippe | |
| 22 | 55722A | 1 | Verschlussklammer (Kniehe bel) | |
| 23 | 62712A | 1 | Kanal, Sauglippe Eintritt | |
| 24 | 80011A | 2 | Schraube 3/8 -16X3 CR SS | |
| 25 | 86004A | 1 | Klemmschraube 1/4 | |
| 26 | 62421A | 1 | Endklammer, Sauglippe | |
| 27 | 37016A | 1 | Pad, Sauglippengriff | |
| 28 | 54766A | 2 | Gewindeinsatz 5/16-24 | |

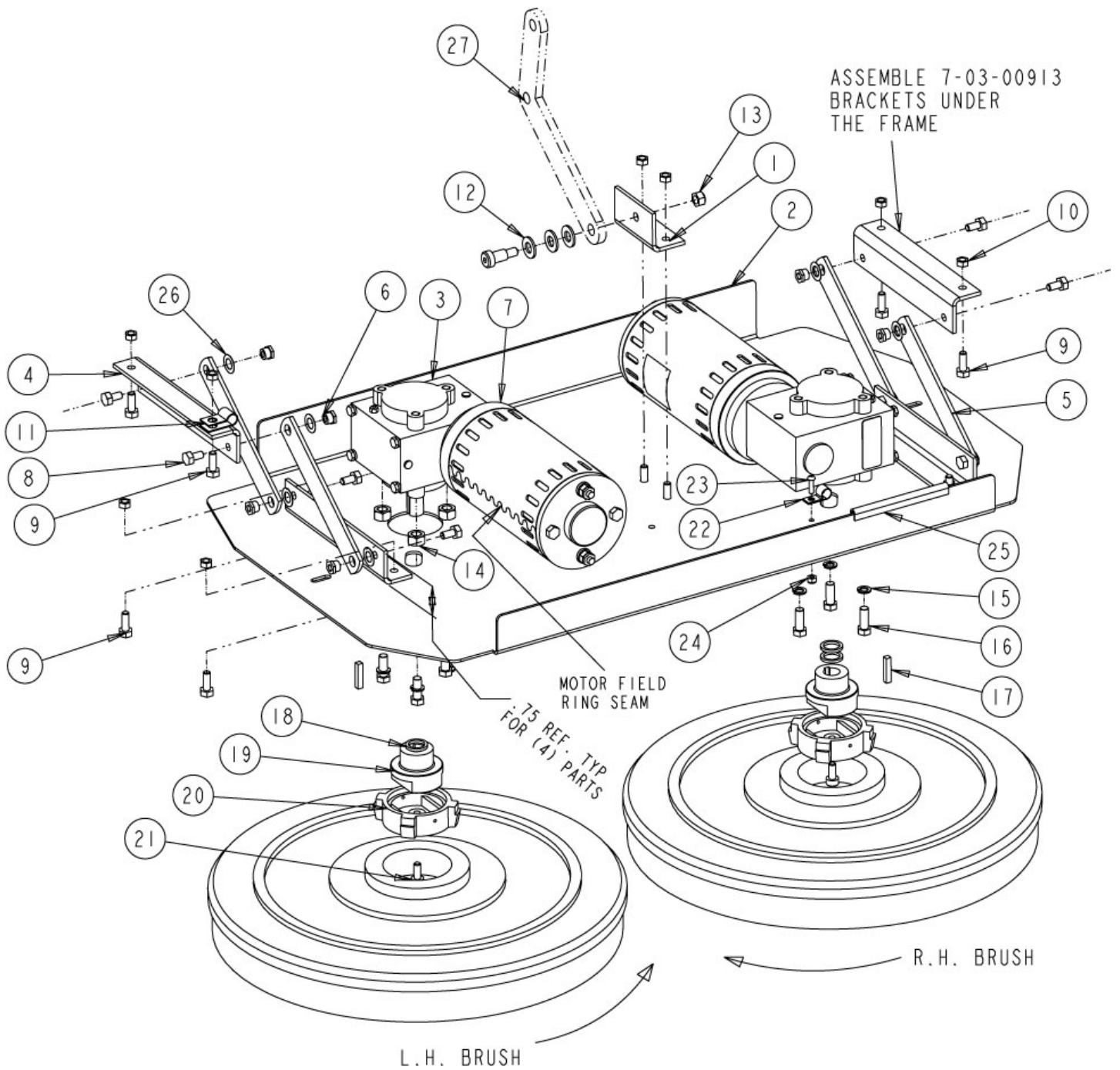
Scrub Deck Assembly - 38" (Before SN180311)

ENCORE R from serial no. 180337

13-01-2013

ET-Liste-Nr.
ENCORER27

29



Scrub Deck Assembly - 38" (Before SN180311

ENCORE R from serial no. 180337

13-01-2013

ET-Liste-Nr.
ENCORER27

30

| Pos | Artikelnr. | Me | Beschreibung | |
|-----|--------------|----|--|-----------|
| 0 | 7-06-05008 | 2 | BLOCK FERRITE | NOT SHOWN |
| 1 | 7-08-01149 | 1 | BRACKET 38 SCRUB DECK | |
| 2 | 7-27-07192-1 | 1 | SCRUB DECK 38 ENCORE R | |
| 3 | 0785-088 | 2 | Reduktions-Getriebe (18,5 :1) "ENCORE" | |
| 4 | 7-08-00913 | 4 | BRACKET BRUSH ARM | |
| 5 | 7-03-04176 | 4 | Verbindungsstück Bürstenrahmen | |
| 6 | 7-23-03056 | 8 | Mutter Spanniemenscheibe | |
| 7 | 0782-144 | 2 | Bürstenmotor | |
| 8 | 2-00-00213 | 8 | Sechskantschraube .313 18 X .625 ZN | |
| 9 | 2-00-01255 | 10 | 6-kantschr. .313-18x.875 | |
| 10 | 2-00-00644 | 9 | Fiber-Einpressmutter | |
| 11 | 2-00-04873 | 1 | Kabelschelle | |
| 12 | 2-00-00405 | 3 | Scheibe | |
| 13 | 2-00-05297 | 1 | Fiber-Einpressmutter 38-16 HEAV | |
| 14 | 2-00-00596 | 6 | Mutter | |
| 15 | 2-00-02310 | 6 | Sicherungsring | |
| 16 | 2-00-00233 | 6 | 85823A-4 | |
| 17 | 2-00-00706 | 2 | Passfeder - Sauglippe, | |
| 18 | 2-00-03169 | 4 | Distanzstück SE | |
| 19 | 7-33-09034 | 2 | Bürstenantrieb | |
| 20 | 7-20-00006 | 2 | Bürstenantrieb, Steckteil mit Nabe | |
| 21 | 2-00-03214 | 2 | Schraube 5/16 - 18 | |
| 22 | 2-00-04602 | 1 | CLAMP HOSE SINGLE 1/2 O.D. | |
| 23 | 2-00-00056 | 1 | Schraube | |
| 24 | 2-00-01246 | 1 | Buchseneinsatz | |
| 25 | 8-21-04016 | 1 | MOULDING RUBBER | |
| 26 | 2-00-03382 | 1 | Klemmscheibe, rüttelsicher, 350 | |
| 27 | 7-03-04239 | 1 | Hebel für Schrubdeck | |

NOTE 1: The Ferrite Blocks are clamped around the positive and negative cables of both brush drive motors.

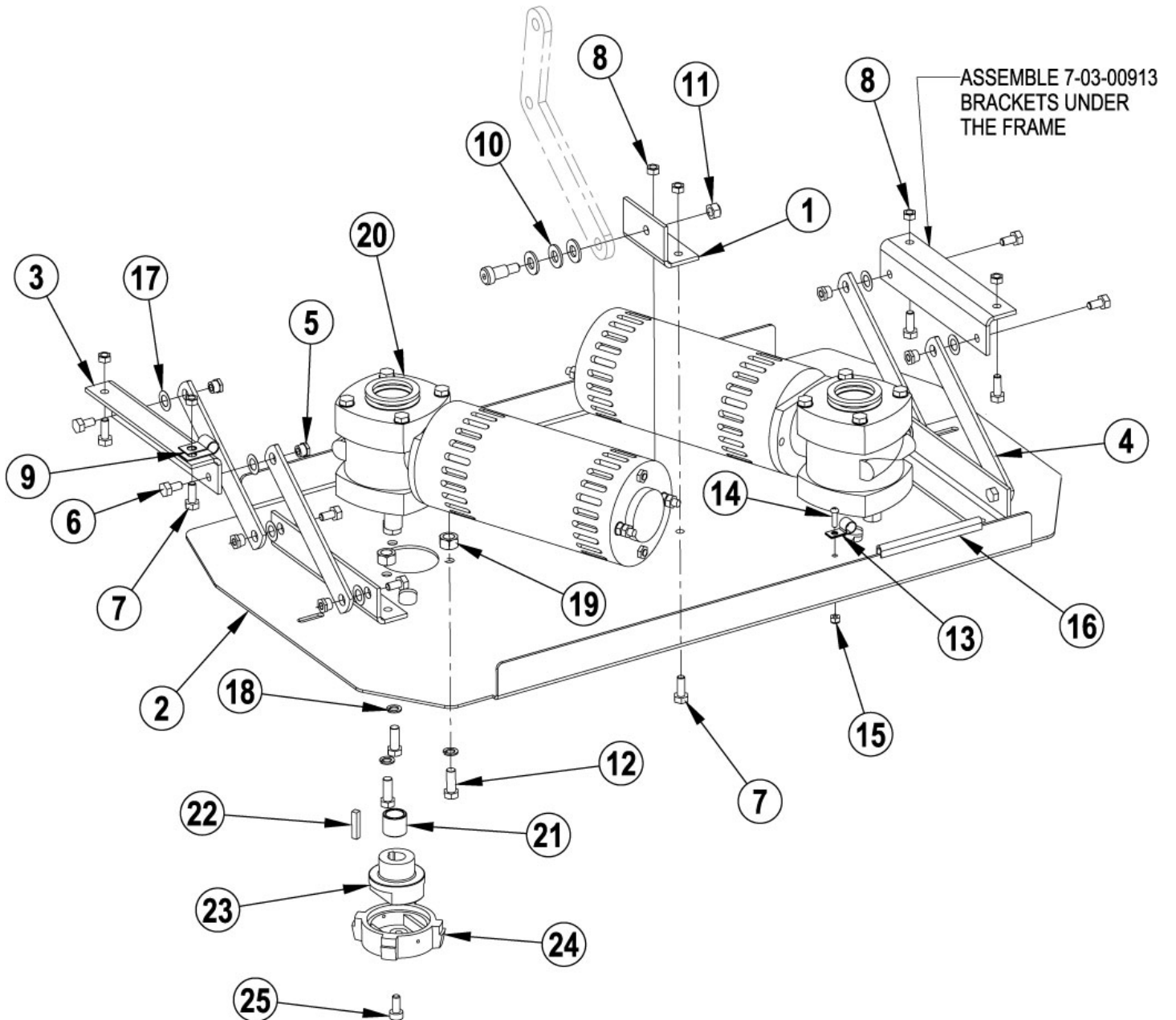
Scrub Deck Assembly - 38" (after SN180310)

ENCORE R from serial no. 180337

13-01-2013

ET-Liste-Nr.
ENCORER29

31



Scrub Deck Assembly - 38" (after SN180310)

ENCORE R from serial no. 180337

13-01-2013

ET-Liste-Nr.
ENCORER29

32

| Pos | Artikelnr. | Me | Beschreibung |
|-----|------------|----|--------------------------------------|
| 0 | 7-06-05008 | 2 | BLOCK FERRITE |
| 1 | 7-08-01149 | 1 | BRACKET 38 SCRUB DECK |
| 2 | 7-27-07245 | 1 | SCRUB DECK 38 |
| 3 | 7-08-00913 | 4 | BRACKET BRUSH ARM |
| 4 | 7-03-04176 | 4 | Verbindungsstück Bürstenrahmen |
| 5 | 7-23-03056 | 8 | Mutter Spanriemenscheibe |
| 6 | 2-00-00213 | 8 | Sechskantschraube .313 18 X .625 ZN |
| 7 | 2-00-01255 | 10 | 6-kantschr. .313-18x.875 |
| 8 | 2-00-00644 | 10 | Fiber-Einpressmutter |
| 9 | 2-00-04873 | 1 | Kabelschelle |
| 10 | 2-00-00405 | 3 | Scheibe |
| 11 | 2-00-05297 | 1 | Fiber-Einpressmutter 38-16 HEAV |
| 12 | 2-00-00233 | 6 | 85823A-4 |
| 13 | 2-00-04602 | 1 | CLAMP HOSE SINGLE 1/2 O.D. |
| 14 | 2-00-00056 | 1 | Schraube |
| 15 | 2-00-01246 | 1 | Buchseneinsatz |
| 16 | 8-21-04016 | 1 | MOULDING RUBBER |
| 17 | 2-00-03382 | 1 | Klemmscheibe, rüttelsicher, 350 REF. |
| 18 | 2-00-02310 | 6 | Sicherungsring |
| 19 | 2-00-00596 | 6 | Mutter |
| 20 | 0785-100 | 2 | Abgeschrägtes Getriebe f. Motor |
| 21 | 7-75-01273 | 2 | SPACER |
| 22 | 2-00-00706 | 2 | Passfeder - Sauglippe, |
| 23 | 7-33-09034 | 2 | Bürstenantrieb |
| 24 | 7-20-00006 | 2 | Bürstenantrieb, Steckteil mit Nabe |
| 25 | 2-00-03214 | 2 | Schraube 5/16 - 18 |

NOTE 1: The Ferrite Blocks are clamped around the positive and negative cables of both brush drive motors.

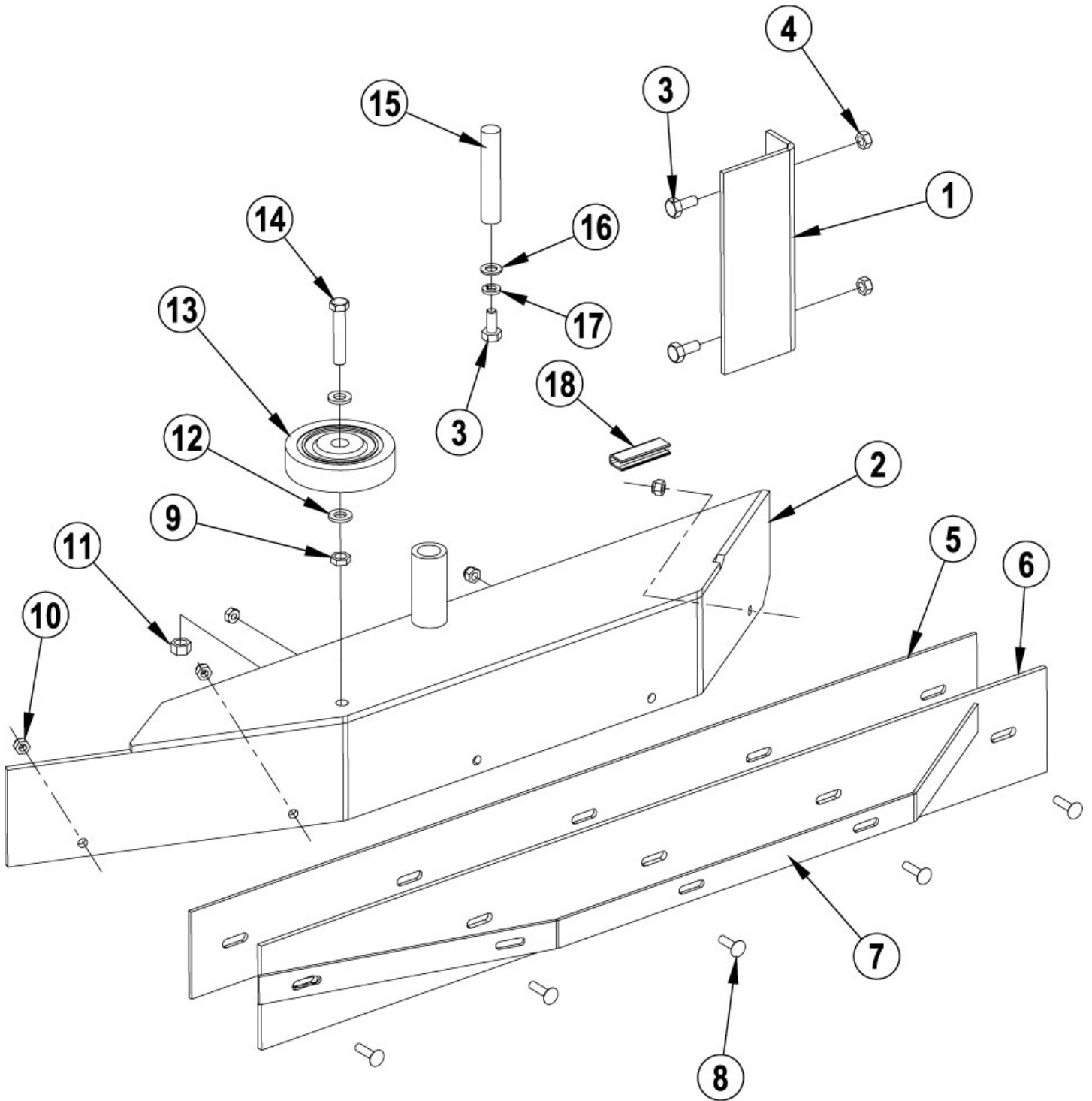
Side Assembly - 38" (LH)

ENCORE R from serial no. 180337

13-01-2013

ET-Liste-Nr.
ENCORER31

33



Side Assembly - 38" (LH)

ENCORE R from serial no. 180337

13-01-2013

ET-Liste-Nr.
ENCORER31

34

| Pos | Artikelnr. | Me | Beschreibung |
|-----|------------|----|---|
| 1 | 7-08-01169 | 1 | BRKT SIDE SQUEEGEE |
| 2 | 7-86-08076 | 1 | TOOL LH SIDE SQUEEGEE 38 |
| 3 | 2-00-00208 | 3 | 85811A-8 |
| 4 | 2-00-00644 | 2 | Fiber-Einpressmutter |
| 5 | 7-77-00118 | 1 | Seitensauglippe rechts innen Standard |
| 6 | 7-77-00121 | 1 | Seitensauglippe rechts außen Gummi Standard |
| 7 | 7-13-07182 | 1 | Klammer, links, Sauglippe |
| 8 | 2-00-02196 | 5 | Flachrundschraube |
| 9 | 2-00-02369 | 1 | Sicherungsmutter |
| 10 | 2-00-00641 | 5 | Mutter 6kt- 1/4-20 |
| 11 | 2-00-02360 | 1 | Sechskantmutter |
| 12 | 2-00-00402 | 2 | Flachscheibe T3/4ODx25/64IDx3 |
| 13 | 7-89-08023 | 1 | Rad |
| 14 | 2-00-00216 | 1 | Sechskantschraube .375 16 X 2.00 GR 5 ZN |
| 15 | 7-55-08180 | 1 | PIN-SIDE SQUEEGEE LOCK |
| 16 | 2-00-00409 | 1 | 980651-4 |
| 17 | 2-00-00530 | 1 | Sicherungsscheibe Spiralfeder |
| 18 | 7-21-04042 | 1 | EDGING SIDE BROOM BELT 91WS |

Side Squeegee Assembly - 38" (RH)

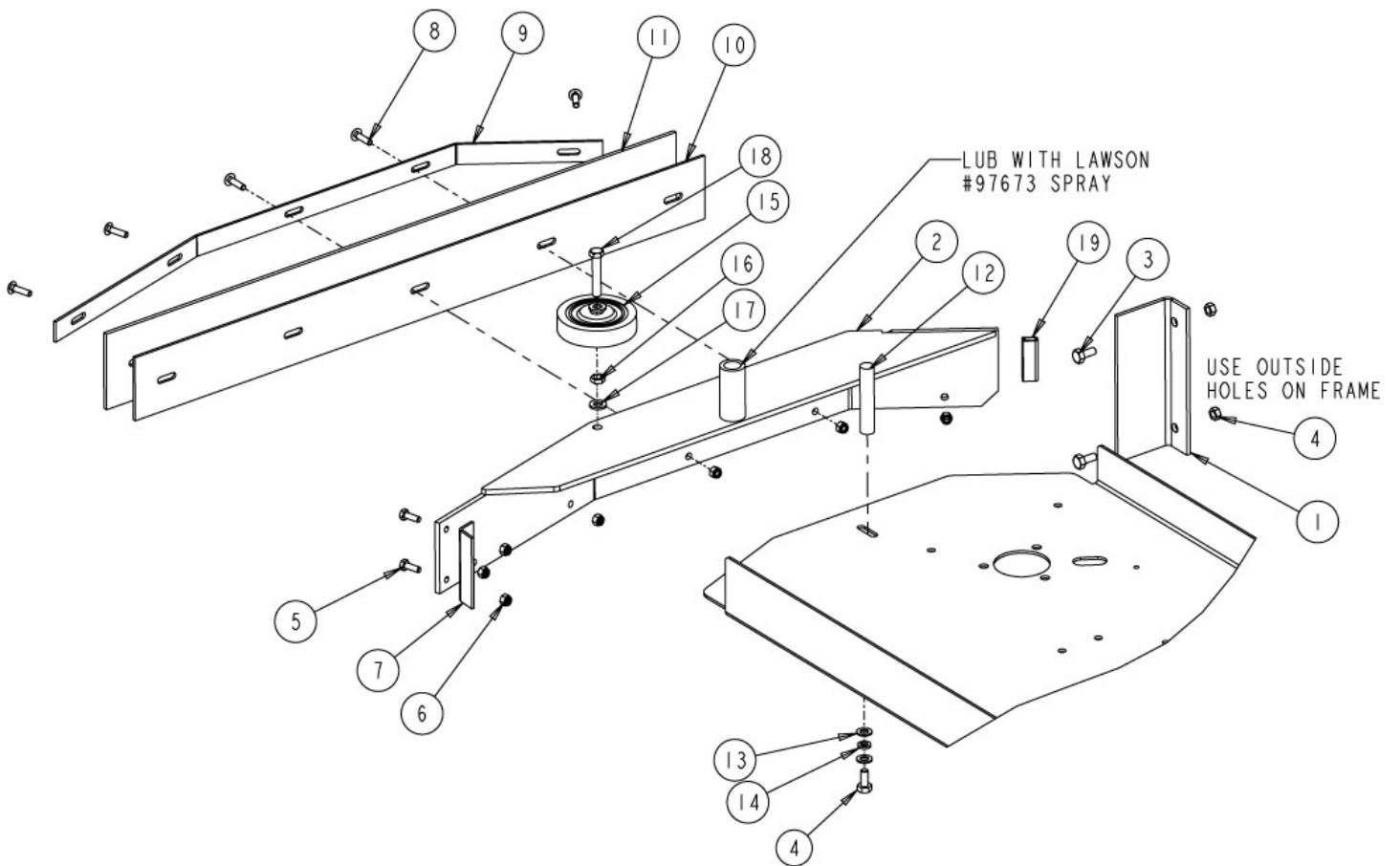
ENCORE R from serial no. 180337

13-01-2013

ET-Liste-Nr.
ENCORER33

35

DO NOT OVER TIGHTEN
TO BENT ITEM #8



Side Squeegee Assembly - 38" (RH)

ENCORE R from serial no. 180337

13-01-2013

ET-Liste-Nr.
ENCORER33

36

| Pos | Artikelnr. | Me | Beschreibung |
|-----|------------|----|---|
| 1 | 7-08-01169 | 1 | BRKT SIDE SQUEEGEE |
| 2 | 7-86-08075 | 1 | Grundplatte Saugfuss rechts |
| 3 | 2-00-00208 | 3 | 85811A-8 |
| 4 | 2-00-00644 | 2 | Fiber-Einpressmutter |
| 5 | 2-00-00221 | 2 | Sechskantschraube .25 20 X .75 GR 8 ZN |
| 6 | 2-00-00641 | 7 | Mutter 6kt- 1/4-20 |
| 7 | 7-08-07106 | 1 | BRACKET 38 SQUEEGEE SPACER |
| 8 | 2-00-02196 | 5 | Flachrundschrabe |
| 9 | 7-13-07182 | 1 | Klammer, links, Sauglippe |
| 10 | 7-77-00118 | 1 | Seitensauglippe rechts innen Standard |
| 11 | 7-77-00121 | 1 | Seitensauglippe rechts auBen Gummi Standard |
| 12 | 7-55-08180 | 1 | PIN-SIDE SQUEEGEE LOCK |
| 13 | 2-00-00409 | 2 | 980651-4 |
| 14 | 2-00-00530 | 1 | Sicherungsscheibe Spiralfeder |
| 15 | 7-89-08023 | 1 | Rad |
| 16 | 2-00-02369 | 1 | Sicherungsmutter |
| 17 | 2-00-00402 | 2 | Flachscheibe T3/4ODx25/64IDx3 |
| 18 | 2-00-00216 | 1 | Sechskantschraube .375 16 X 2.00 GR 5 ZN |
| 19 | 7-21-04042 | 1 | EDGING SIDE BROOM BELT 91WS |

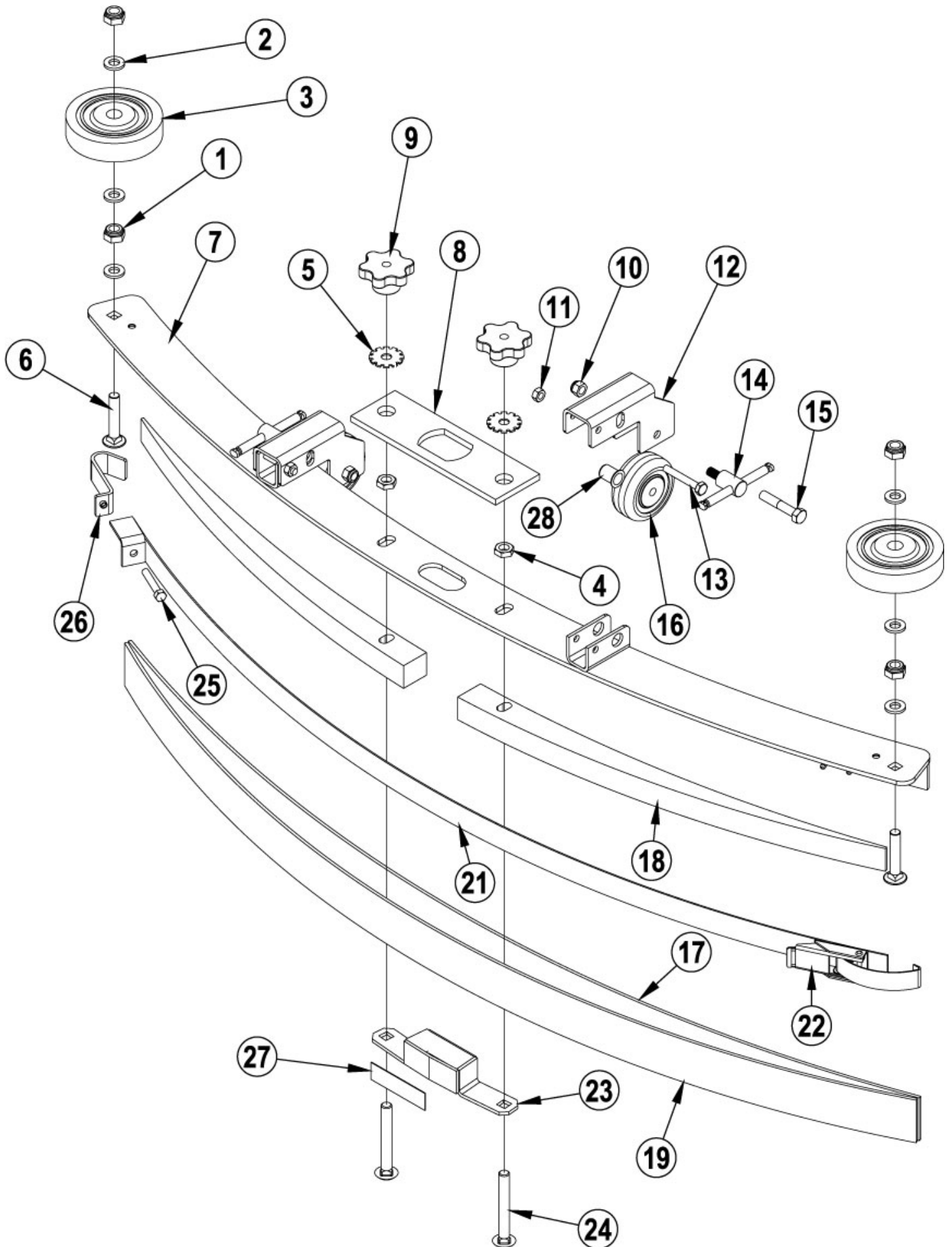
Rear Squeegee Assembly - 38"

ENCORE R from serial no. 180337

13-01-2013

ET-Liste-Nr.
ENCORER35

37



Rear Squeegee Assembly - 38"

ENCORE R from serial no. 180337

13-01-2013

ET-Liste-Nr.
ENCORER35

38

| Pos | Artikelnr. | Me | Beschreibung | |
|-----|------------|----|--|-----------|
| 0 | 56109400 | 1 | SQUEEGEE ASSEMBLY 38 | |
| 1 | 2-00-00643 | 4 | NUT INS FIBRE .38 16 ZN PL | |
| 2 | 2-00-00402 | 6 | Flachscheibe T3/4ODx25/64IDx3 | |
| 3 | 7-89-08023 | 2 | Rad | |
| 4 | 81301A | 6 | Selbsthemmende Mutter 3/8-16 SS | |
| 6 | 56003608 | 2 | SCR CARRIAGE 3/8 16 X 2.00 | |
| 7 | 69675A | 1 | Sauglippe geschweißt | |
| 8 | 7-29-00243 | 1 | Dichtung | |
| 9 | 25201B | 2 | Drehknopf, Saugfuß | |
| 10 | 920110 | 2 | Sicherungsmutter 5/16-18 REG(metallüberz.) | |
| 11 | 81104A | 2 | Mutter 1/2-20, Esna Typ SS | |
| 12 | 65975A | 2 | Klammer - Rad Sauglippe | |
| 13 | 85702A | 2 | Sechskantschraube 1/4-20X1&3/4 ST CAP | |
| 14 | 64905A | 2 | Griff kpl., T (ENCORE) | |
| 15 | 85816A | 2 | Sechskantschraube 5/16-18 X 1 3/4 | |
| 16 | 59971A | 2 | Rad, Sauglippe | |
| 17 | 30718A | 1 | Sauglippe vorne/innen, Gummi gelocht | |
| 18 | 38715A | 2 | Halter Saugleiste "Visi on 38" | |
| 19 | 30935A | 1 | Sauglippe hinten/außen, Gummi | |
| 20 | 170932 | 2 | Niet 4,8x3,175 | NOT SHOWN |
| 21 | 62444A | 1 | Klemmband fuer Sauglippe' 'Encore/Vision2 | |
| 22 | 55722A | 1 | Verschlussklammer (Kniehe bel) | |
| 23 | 62712A | 1 | Kanal, Sauglippe Eintritt | |
| 24 | 80011A | 2 | Schraube 3/8 -16X3 CR SS | |
| 25 | 86004A | 1 | Klemmschraube 1/4 | |
| 26 | 62421A | 1 | Endklammer, Sauglippe | |
| 27 | 37016A | 1 | Pad, Sauglippengriff | |
| 28 | 54766A | 2 | Gewindeinsatz 5/16-24 | |

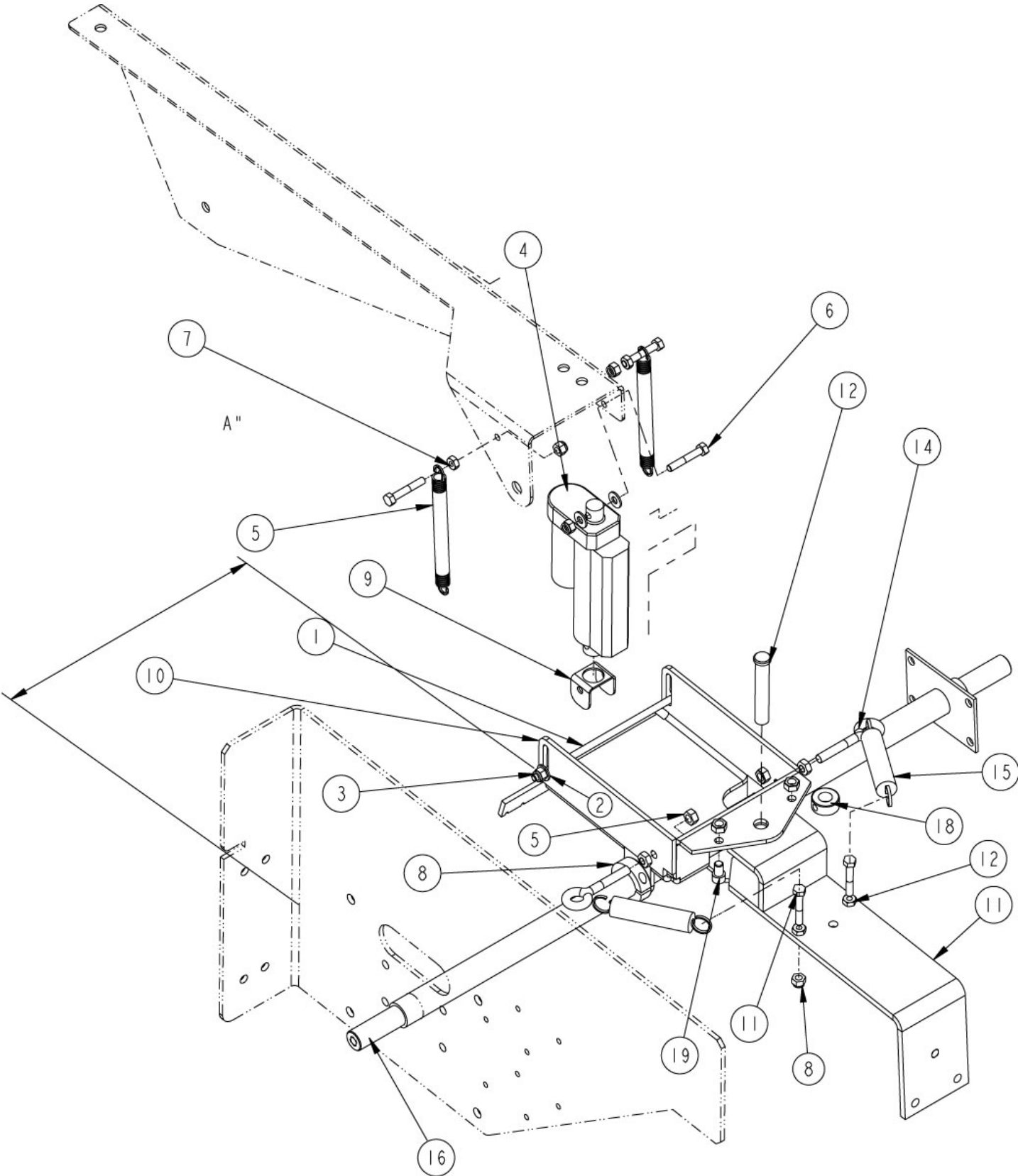
Squeegee Lift Assembly

ENCORE R from serial no. 180337

13-01-2013

ET-Liste-Nr.
ENCORER37

39



Squeegee Lift Assembly

ENCORE R from serial no. 180337

13-01-2013

ET-Liste-Nr.
ENCORER37

40

| Pos | Artikelnr. | Me | Beschreibung |
|-----|------------|----|---|
| 1 | 7-80-05081 | 1 | Bolzen für Schwimmerkäfig |
| 2 | 2-00-03702 | 4 | Flachscheibe 625X.281X.063 STL.ZN |
| 3 | 2-00-00641 | 7 | Mutter 6kt- 1/4-20 |
| 4 | 0782-139 | 1 | Stellantrieb - Saugfuß- anhebung |
| 5 | 7-76-00102 | 2 | Feder |
| 6 | 2-00-00203 | 5 | Sechskantschraube .25 20 X 1.50 GR 5 ZN |
| 7 | 2-00-00594 | 4 | Mutter 6kt- 1/4-20 |
| 8 | 2-00-04321 | 2 | Hülse |
| 9 | 7-08-02021 | 1 | Halter - Sauglippe Stell- |
| 10 | 7-08-01136 | 1 | BRKT REAR SQUEEGEE LIFT |
| 11 | 7-03-04235 | 1 | Arm, hinterer Saugfuß |
| 12 | 2-00-05484 | 1 | Stift |
| 13 | 2-00-00644 | 4 | Fiber-Einpressmutter |
| 14 | 2-00-05920 | 2 | EYE BOLT 5/16 18 X 1.25 |
| 15 | 7-76-00126 | 2 | Feder |
| 16 | 7-03-09015 | 1 | Achse Hinterräder ENCORE R REF. |
| 17 | 2-00-00585 | 2 | Sechskantmutter |
| 18 | 2-00-03589 | 1 | Hülse mit Stellschraube 1.00 Außen-Ø/.500 Innen-Ø |
| 19 | 2-00-03335 | 2 | Schraube HSHC 31 18 x 50 |

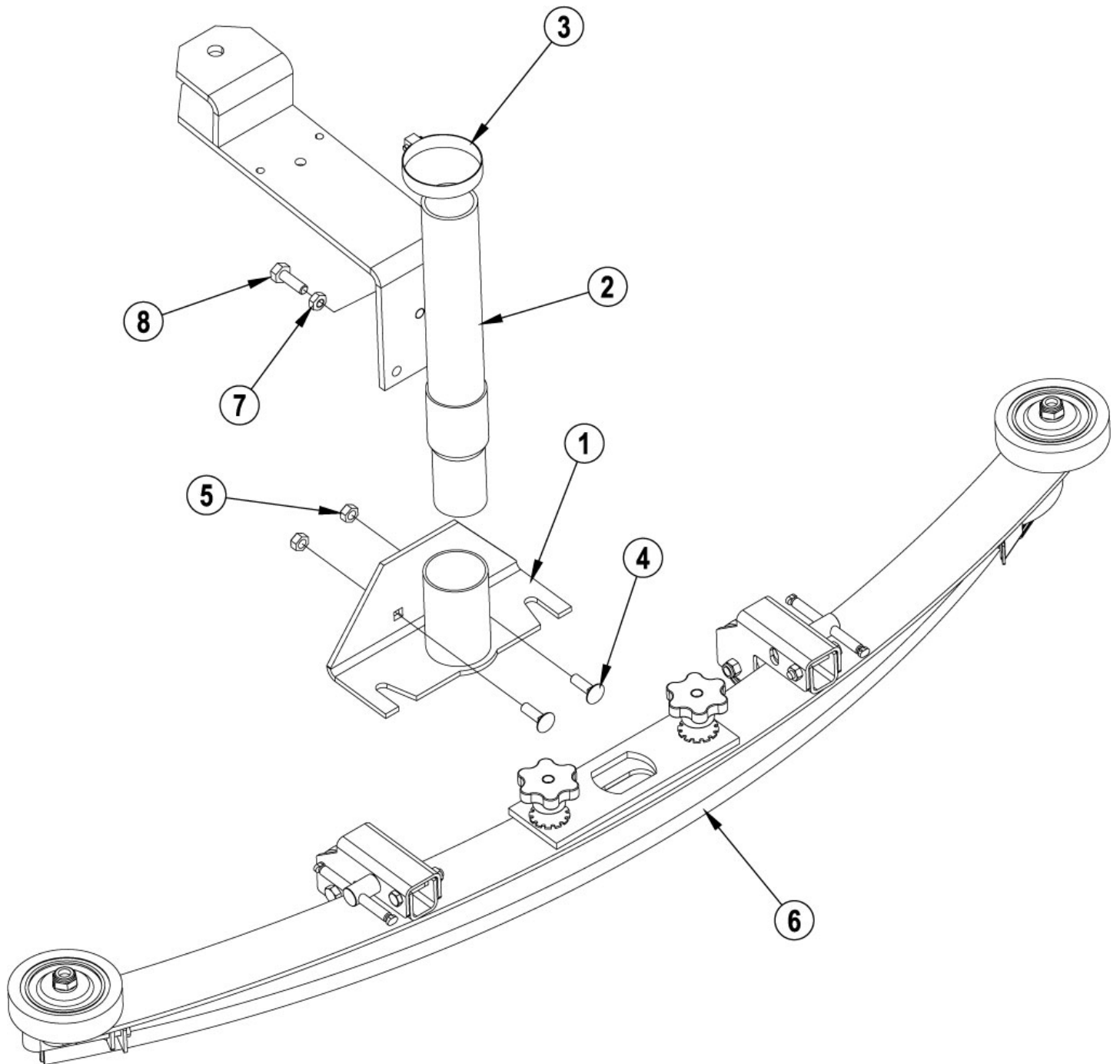
Squeegee Lift Assembly Cont.

ENCORE R from serial no. 180337

13-01-2013

ET-Liste-Nr.
ENCORER39

41



Squeegee Lift Assembly Cont.

ENCORE R from serial no. 180337

13-01-2013

ET-Liste-Nr.
ENCORER39

42

| Pos | Artikelnr. | Me | Beschreibung |
|-----|------------|----|---|
| 1 | 7-25-02096 | 1 | Fitting, Sauglippenhalter geschweißt |
| 2 | 7-33-02377 | 1 | Schlauch, Sauglippe |
| 3 | 2-00-02216 | 1 | Schlauchschelle |
| 4 | 2-00-00196 | 2 | Flachrundschraube 31 18 X 1 GR 5 ZN |
| 5 | 2-00-00644 | 2 | Fiber-Einpressmutter |
| 6 | 56109399 | 1 | Saugleiste 34" |
| 6 | 56109400 | 1 | SQUEEGEE ASSEMBLY 38 |
| 7 | 2-00-00585 | 1 | Sechskantmutter |
| 8 | 2-00-02708 | 1 | Sechskantschr. m Schlitz- mutter .313 18 X 1.00 |

Seat Assembly

ENCORE R from serial no. 180337

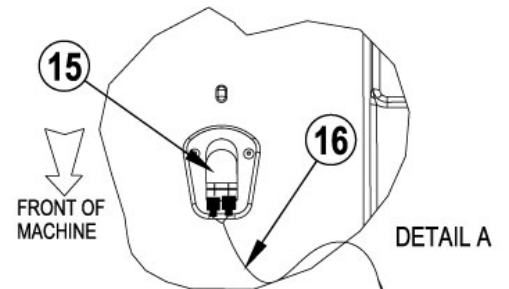
13-01-2013

ET-Liste-Nr.
ENCORER41

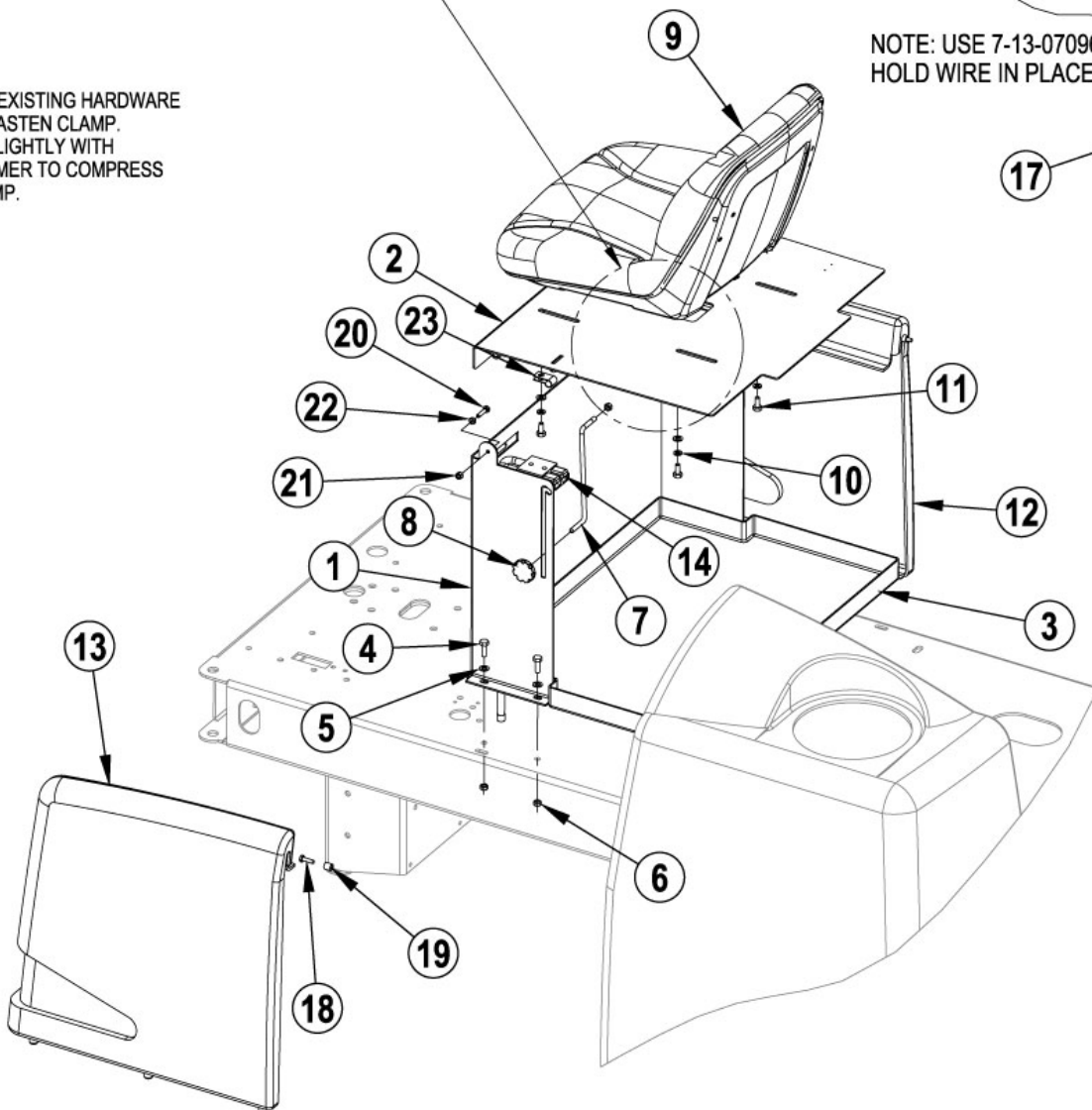
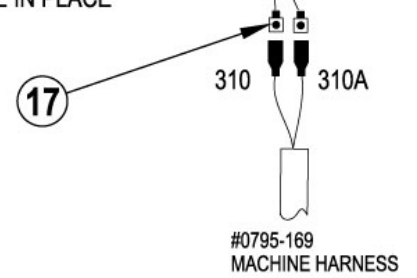
43

USE EXISTING HARDWARE
TO FASTEN CLAMP.
TAP LIGHTLY WITH
HAMMER TO COMPRESS
CLAMP.

SEE DETAIL A



NOTE: USE 7-13-07096 TO
HOLD WIRE IN PLACE



Seat Assembly

ENCORE R from serial no. 180337

13-01-2013

ET-Liste-Nr.
ENCORER41

44

| Pos | Artikelnr. | Me | Beschreibung |
|-----|------------|----|---|
| 1 | 7-52-00195 | 1 | PANEL SEAT WELDMENT |
| 2 | 7-16-07500 | 1 | SEAT DECK WELDMENT |
| 3 | 8-51-05016 | 1 | PAN BATTERY |
| 4 | 2-00-02708 | 4 | Sechskantschr. m Schlitz- mutter .313 18 X 1.00 |
| 5 | 2-00-00409 | 8 | 980651-4 |
| 6 | 2-00-00644 | 5 | Fiber-Einpressmutter |
| 7 | 7-66-00186 | 1 | Stab Auflageplatte |
| 8 | 7-39-00006 | 1 | Drehknopf |
| 9 | 8-69-00022 | 1 | Sitz |
| 10 | 2-00-00530 | 4 | Sicherungsscheibe Spiralfeder |
| 11 | 2-00-00208 | 4 | 85811A-8 |
| 12 | 7-16-07405 | 1 | SIDE COVER RH ENCORE R |
| 13 | 7-16-07404 | 1 | SIDE COVER LH ENCORE R |
| 14 | 0795-176 | 1 | HARNESS SCRUB DRIVE 5730 |
| 15 | 7-82-00050 | 1 | Sitzschalter |
| 16 | 56109403 | 1 | Kabelbaum |
| 17 | 2-00-04551 | 1 | Anschlussklemme |
| 18 | 2-00-01490 | 2 | Sechskantschraube .25 20 X .875 GR5 ZN |
| 19 | 8-75-01205 | 2 | SPACER |
| 20 | 2-00-02588 | 2 | Sechskantschraube .25 20 X 1.125 GR 5 |
| 21 | 2-00-00641 | 2 | Mutter 6kt- 1/4-20 |
| 22 | 2-00-00594 | 2 | Mutter 6kt- 1/4-20 |
| 23 | 2-00-04873 | 1 | Kabelschelle |

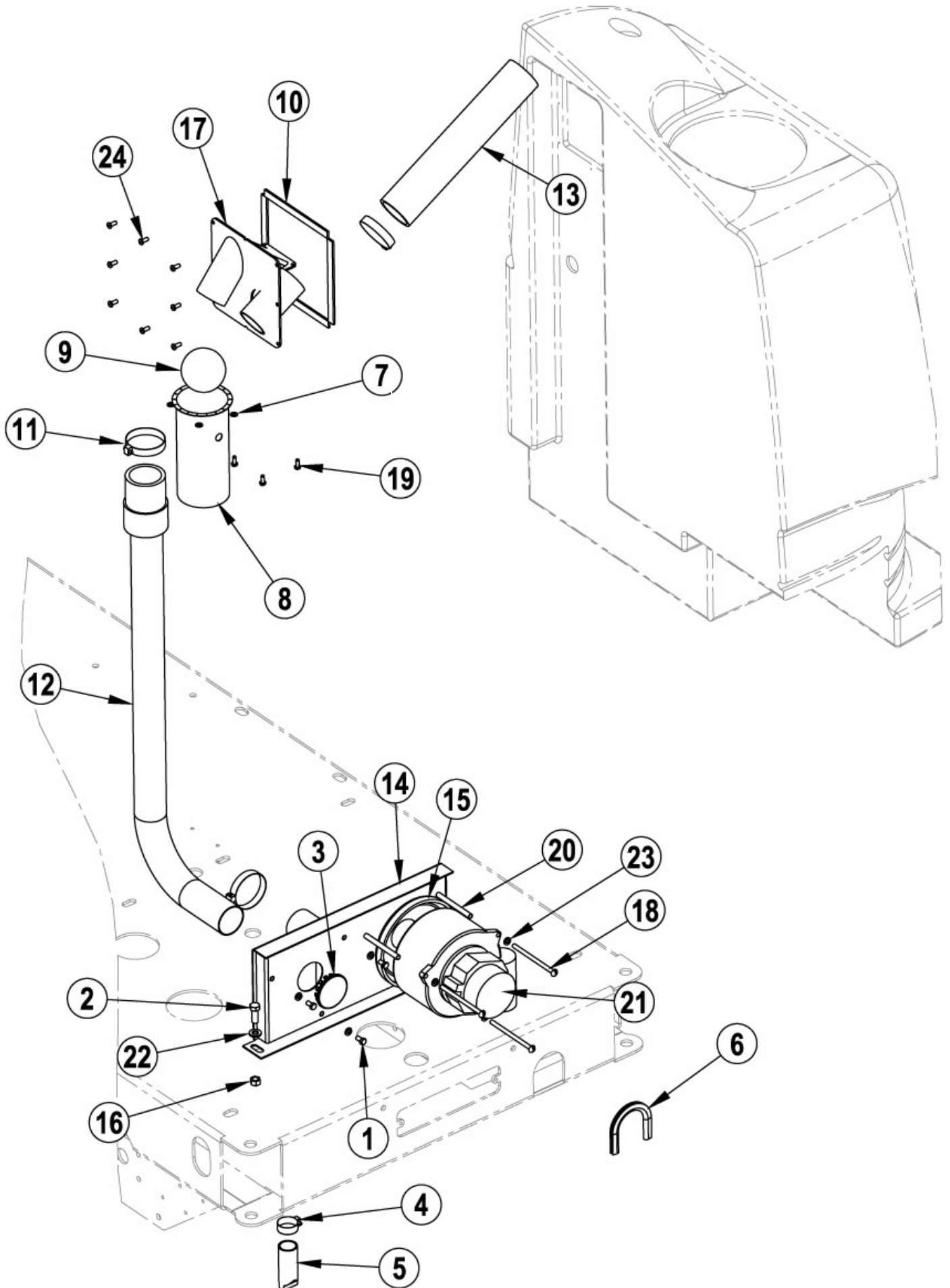
Vacuum Assembly

ENCORE R from serial no. 180337

13-01-2013

ET-Liste-Nr.
ENCORER43

45



Vacuum Assembly

ENCORE R from serial no. 180337

13-01-2013

ET-Liste-Nr.
ENCORER43

46

| Pos | Artikelnr. | Me | Beschreibung | |
|-----|--------------|----|---|-----------|
| 1 | 2-00-00219 | 3 | Sechskantschraube .25 20 X .50 GR 5 ZN | |
| 2 | 2-00-00233 | 2 | 85823A-4 | |
| 3 | 2-00-04431 | 1 | Stopfen | |
| 4 | 2-00-02220 | 1 | Schlauchschelle, Wittek-16 P | |
| 5 | 8-88-00016 | 1 | Regelsicherheitsventil | |
| 6 | 7-21-04050 | 1 | EDGING FRAME | |
| 7 | 2-00-00466 | 4 | Scheibe | |
| 8 | 7-10-04008 | 1 | Schwimmerfüllstandsmesser | |
| 9 | 7-26-04012 | 1 | Schwimmer Schmutzwasser | |
| 10 | 7-29-00281 | 4 | Dichtung | |
| 11 | 2-00-02216 | 3 | Schlauchschelle | |
| 12 | 7-33-02373 | 1 | Flexibler Schlauch | |
| 13 | 7-33-02408 | 1 | HOSE FLEXIBLE12 LG | |
| 14 | 7-48-00033-1 | 1 | Platte für Saugmotoren | |
| 15 | 2-22-00003 | 1 | Motorlager Saugerdichtung | |
| 16 | 2-95-04182 | 2 | Anschlagmutter .375-16 kadmiert | |
| 17 | 7-58-05327 | 1 | Platte Einlass Sauger | |
| 18 | 2-00-05395 | 3 | Halbrundkopfschraube 25 20x4.00 ZINK | |
| 19 | 2-00-03940 | 4 | Sechskant-Gewindeschneid- schraube, 10-24X.50 | |
| 20 | 7-75-01184 | 3 | Distanzstück | |
| 21 | 56109731 | 1 | Saugmotor 36V DC | |
| 21 | 56377001 | 1 | Kohlebürstensatz (2) f. BA 700 | NOT SHOWN |
| 22 | 2-00-00402 | 2 | Flachscheibe T3/4ODx25/64IDx3 | |
| 23 | 2-00-00518 | 6 | Scheibe | |
| 24 | 56009191 | 8 | Schraube PAN PHIL 10-14x. | |

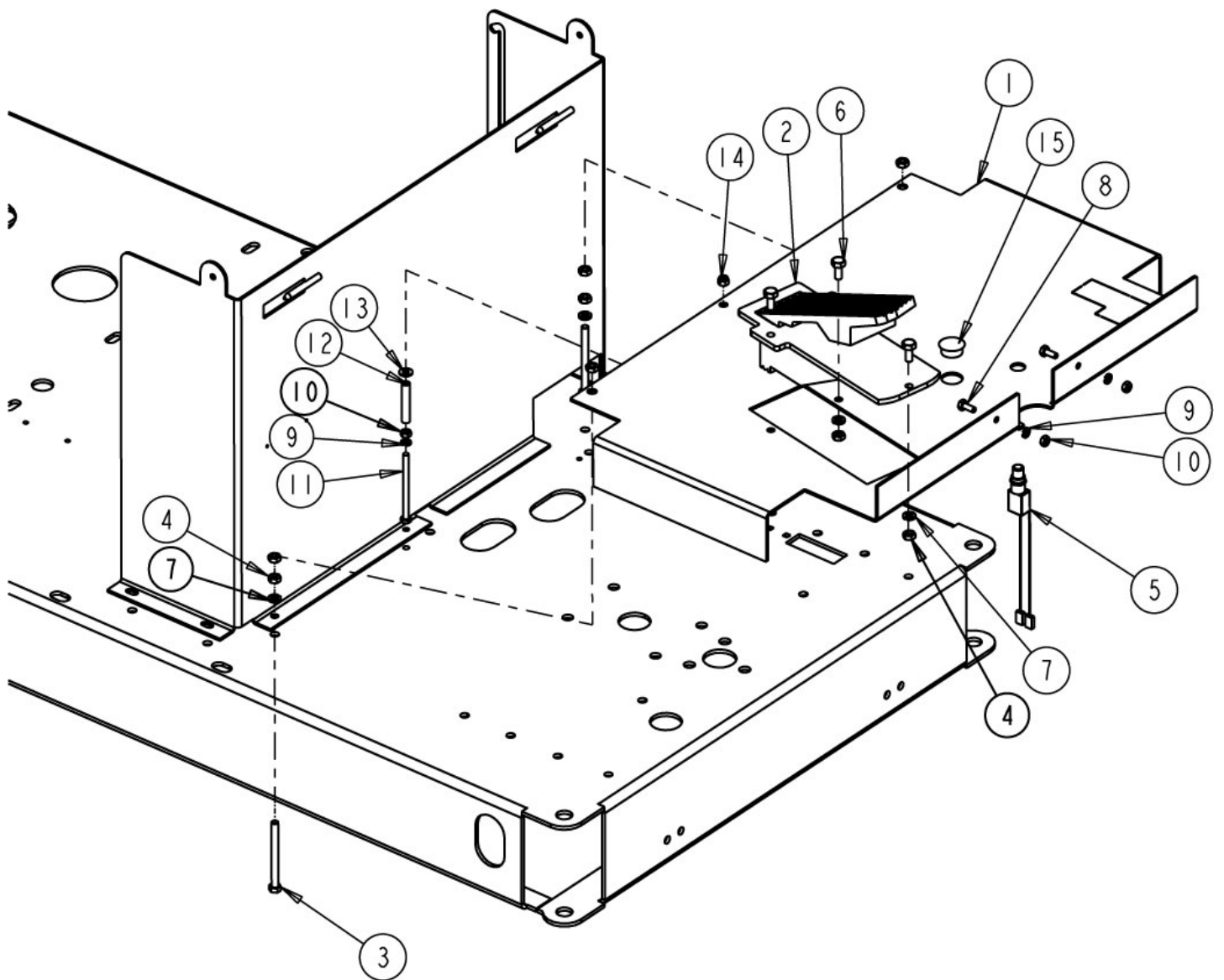
Forward/Reverse Pedal Assembly

ENCORE R from serial no. 180337

13-01-2013

ET-Liste-Nr.
ENCORER45

47



Forward/Reverse Pedal Assembly

ENCORE R from serial no. 180337

13-01-2013

ET-Liste-Nr.
ENCORER45

48

| Pos | Artikelnr. | Me | Beschreibung |
|-----|------------|----|-----------------------------------|
| 1 | 7-52-00191 | 1 | PANEL FLOOR |
| 2 | 56381488 | 1 | Servicekit f. Fußpedal |
| 3 | 2-00-05164 | 3 | SCREW HHM .312 18 X 3.50 |
| 4 | 2-00-00585 | 1 | Sechskantmutter |
| 5 | 8-82-00030 | 1 | Schalter - Drucktaster- deckel |
| 6 | 2-00-00208 | 3 | 85811A-8 |
| 7 | 2-00-00530 | 6 | Sicherungsscheibe Spiralfeder |
| 8 | 2-00-00220 | 2 | 6-kantschraube .25-20x6.3 |
| 9 | 2-00-00518 | 2 | Scheibe |
| 10 | 2-00-00594 | 2 | Mutter 6kt- 1/4-20 |
| 11 | 2-00-04596 | 1 | SCW HHC .25 20 X 3.50 GR 5 ZN |
| 12 | 8-75-01203 | 1 | SPACER |
| 13 | 2-00-03702 | 1 | Flachscheibe 625X.281X.063 STL.ZN |
| 14 | 2-00-00641 | 1 | Mutter 6kt- 1/4-20 |
| 15 | 2-00-05530 | 1 | 1 HOLE PLUG |

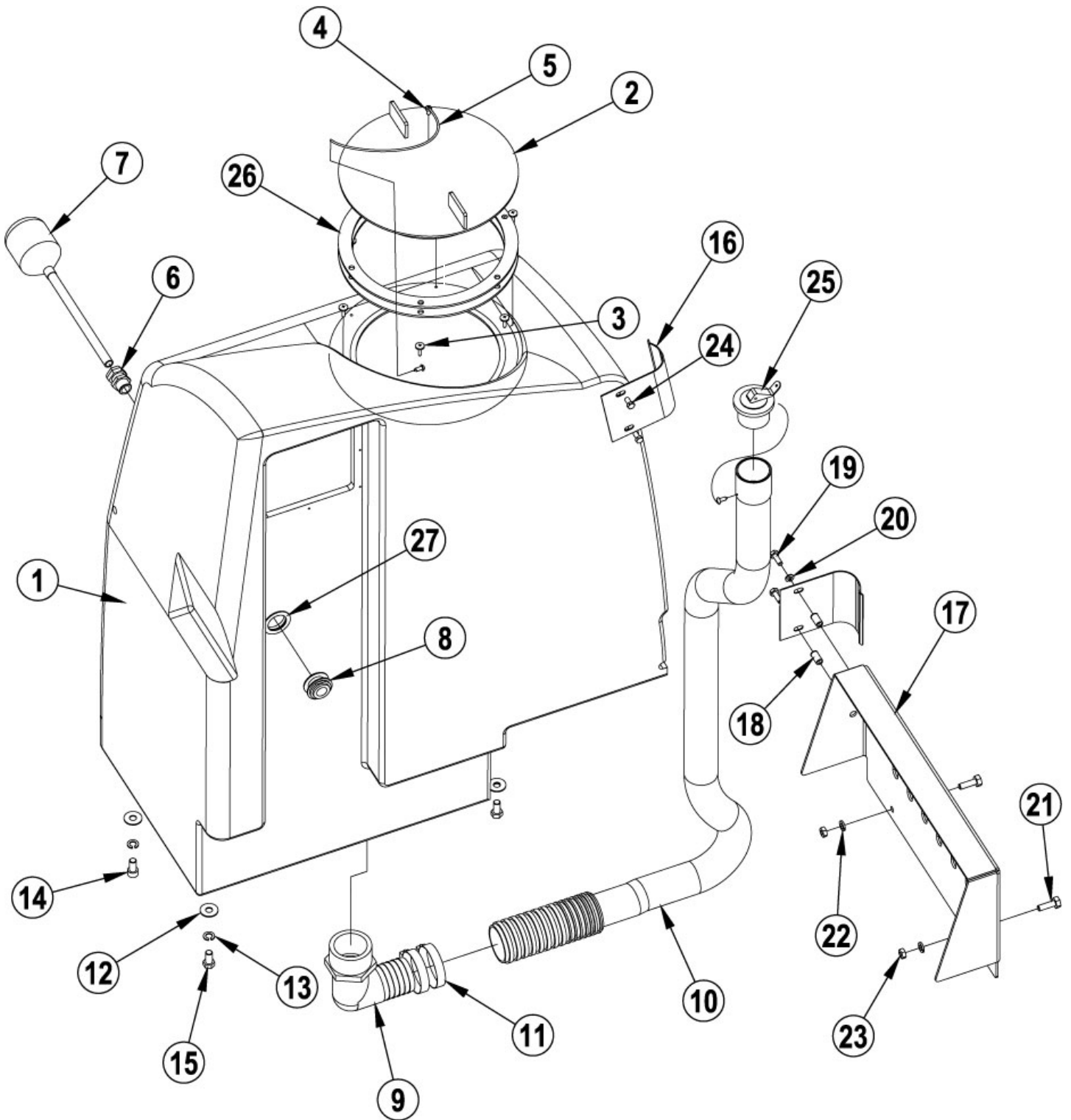
Recovery Tank Assembly

ENCORE R from serial no. 180337

13-01-2013

ET-Liste-Nr.
ENCORER47

49



Recovery Tank Assembly

ENCORE R from serial no. 180337

13-01-2013

ET-Liste-Nr.
ENCORER47

50

| Pos | Artikelnr. | Me | Beschreibung | |
|-----|------------|----|--|--------|
| 1 | 7-83-04211 | 1 | TANK RECOVERY SR5730 | NOTE 1 |
| 2 | 7-16-07399 | 1 | Anschluss Behaelter | |
| 3 | 2-00-01994 | 6 | Schraube TF/RH#8-15x.75 Type A | |
| 4 | 2-00-03466 | 3 | Schraube | |
| 5 | 7-13-05064 | 1 | Kette | |
| 6 | 7-09-01122 | 1 | Buchse, Schwimmer | |
| 7 | 0775-164 | 1 | Schwimmerschalter, modifiziert | |
| 8 | 7-09-01124 | 1 | Buchse, Durchfuehrung Trennwand | |
| 9 | 2-00-05900 | 1 | Anschlussbogen Schmutzw.T ank | |
| 10 | 7-33-02591 | 1 | Ablaufschlauch, kpl. | |
| 11 | 2-00-02216 | 2 | Schlauchschele | |
| 12 | 2-00-03979 | 3 | Unterlegscheibe 1.0X.438 X.064-.104 | |
| 13 | 2-00-02310 | 3 | Sicherungsring | |
| 14 | 2-00-03044 | 1 | Innensechskantschraube .38-16 X .75 | |
| 15 | 2-00-00232 | 2 | Sechskantschraube .375 16 X .75 GR5 ZN | |
| 16 | 7-08-01138 | 2 | Rahmen Entleerungsschlauch | |
| 17 | 7-30-05114 | 1 | GUARD VAC MOTOR | |
| 18 | 2-00-05261 | 2 | Einsatz 1/4-20 | |
| 19 | 2-00-00221 | 2 | Sechskantschraube .25 20 X .75 GR 8 ZN | |
| 20 | 2-00-00518 | 2 | Scheibe | |
| 21 | 2-00-00206 | 2 | SCW HHC .313 18X1.00 GR 8 ZN | |
| 22 | 2-00-00530 | 2 | Sicherungsscheibe Spiralfeder | |
| 23 | 2-00-00585 | 2 | Sechskantmutter | |
| 24 | 2-00-00219 | 2 | Sechskantschraube .25 20 X .50 GR 5 ZN | |
| 25 | 7-25-02033 | 1 | Stopfen fuer Abfluss- schlauch | |
| 26 | 7-29-00277 | 2 | Dichtung - Tankdeckel | |
| 27 | 56003770 | 1 | WASHER 1.130X1.625X.06 SST | |

NOTE 1: If Replacing Item #1 you must also order: 1 of 8-18-005535 (Encore R Decal).

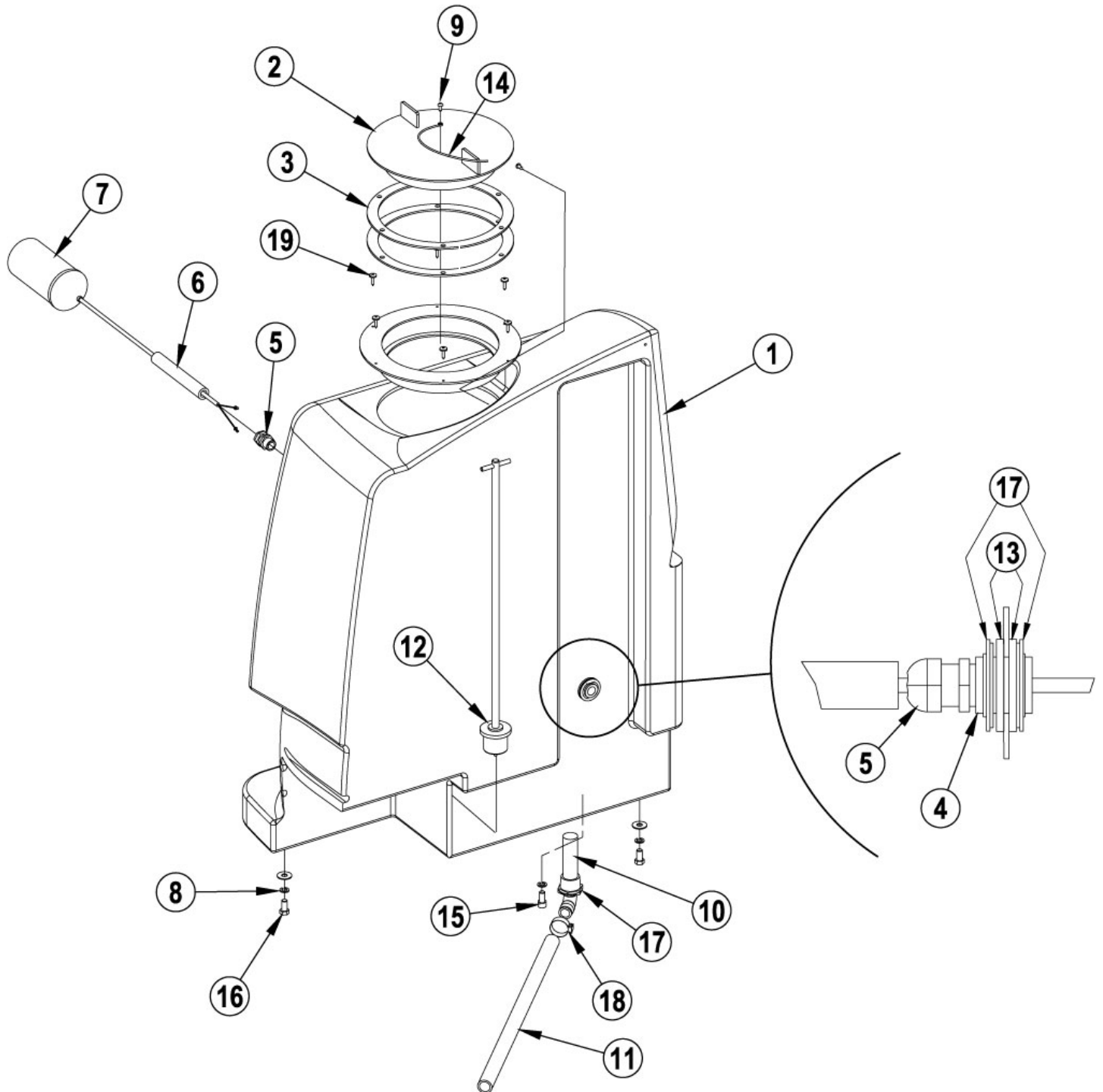
Solution Tank Assembly

ENCORE R from serial no. 180337

13-01-2013

ET-Liste-Nr.
ENCORER49

51



Solution Tank Assembly

ENCORE R from serial no. 180337

13-01-2013

ET-Liste-Nr.
ENCORER49

52

| Pos | Artikelnr. | Me | Beschreibung |
|-----|------------|----|--|
| 1 | 7-83-04174 | 1 | Frischwassertank |
| 2 | 7-16-07399 | 1 | Anschluss Behaelter |
| 3 | 7-29-00277 | 2 | Dichtung - Tankdeckel |
| 4 | 7-09-01124 | 1 | Buchse, Durchfuehrung Trennwand |
| 5 | 7-09-01122 | 1 | Buchse, Schwimmer |
| 6 | 7-87-02191 | 1 | Schwimmerschalter |
| 7 | 0775-217 | 1 | Schwimmerschalter |
| 8 | 2-00-02310 | 3 | Sicherungsring |
| 9 | 2-00-03466 | 2 | Schraube |
| 10 | 7-24-04056 | 1 | Filter Frischwasser |
| 11 | 7-33-02233 | 1 | HOSE VALVE TO SPRAY BAR |
| 12 | 7-25-02095 | 1 | Ablasstopfen (29.00) |
| 13 | 7-29-00225 | 2 | Dichtung, Neopren |
| 14 | 7-13-05064 | 1 | Kette |
| 15 | 2-00-03044 | 1 | Innensechskantschraube .38-16 X .75 |
| 16 | 2-00-00232 | 2 | Sechskantschraube .375 16 X .75 GR5 ZN |
| 17 | 56003770 | 3 | WASHER 1.130X1.625X.06 SST |
| 18 | 2-00-02220 | 1 | Schlauchschelle, Wittek-16 P |
| 19 | 2-00-01994 | 6 | Schraube TF/RH#8-15x.75 Type A |

NOTE 1: If Replacing Item #1 you must also order: 1 of 8-18-005535 (Encore R Decal).

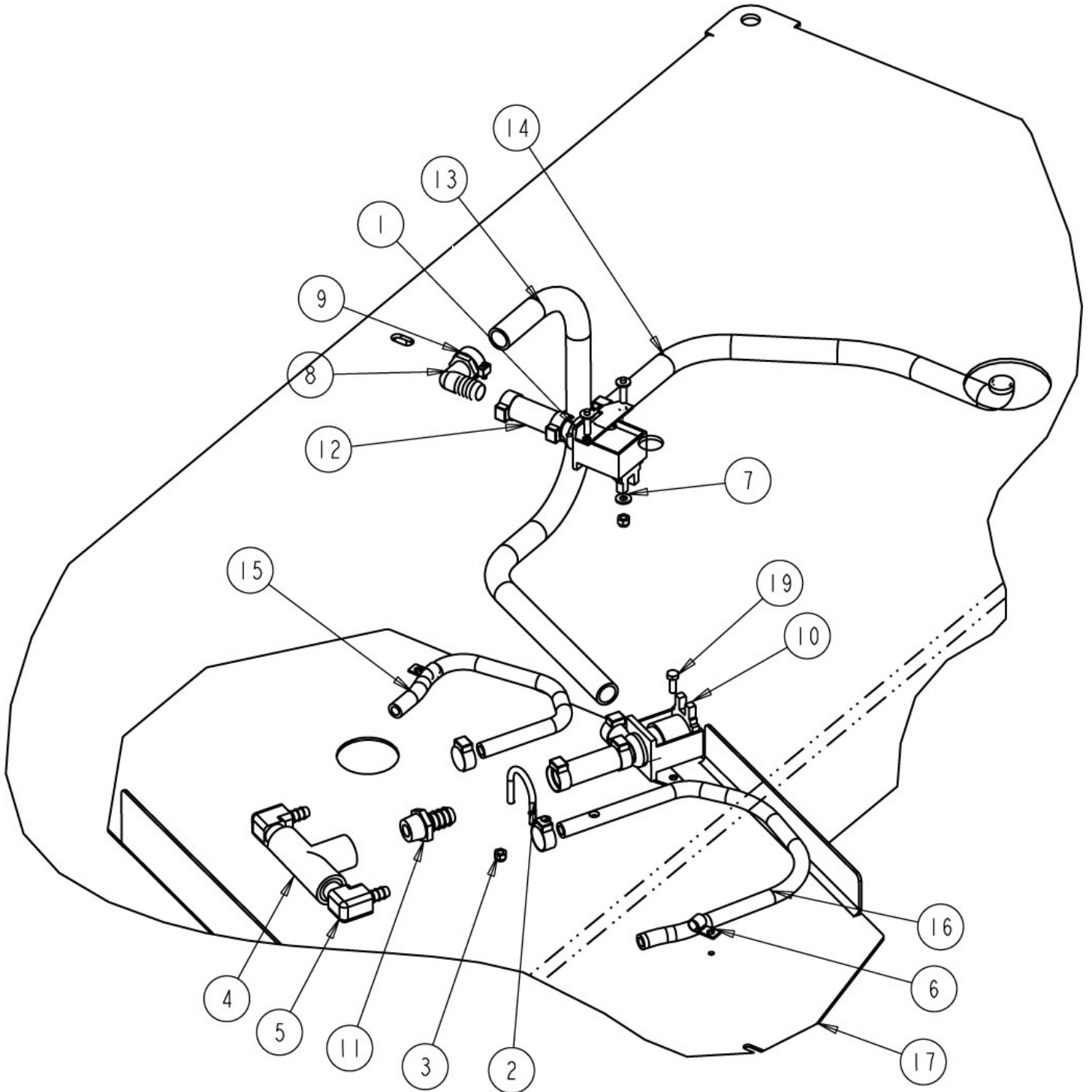
Solution Control

ENCORE R from serial no. 180337

13-01-2013

ET-Liste-Nr.
ENCORER51

53



Solution Control

ENCORE R from serial no. 180337

13-01-2013

ET-Liste-Nr.
ENCORER51

54

| Pos | Artikelnr. | Me | Beschreibung |
|-----|--------------|----|---|
| 1 | 7-88-00073 | 1 | Frischwasserventil |
| 2 | 8-13-07003 | 1 | CLAMP COLUMN STEERING |
| 3 | 2-00-00641 | 4 | Mutter 6kt- 1/4-20 |
| 4 | 7-25-02037 | 1 | FITTING |
| 5 | 2-00-05378 | 2 | ELBOW 90 DEG. BARB PLASTIC |
| 6 | 2-00-04602 | 1 | CLAMP HOSE SINGLE 1/2 O.D. |
| 7 | 2-00-03702 | 2 | Flachscheibe 625X281X.063 STL.ZN |
| 8 | 2-00-05380 | 1 | ELBOW 90 DEG 3/4 HOSE BARBED |
| 9 | 2-00-02220 | 1 | Schlauchschele, Wittek-16 P |
| 10 | 7-88-00084 | 1 | Ventil Frischwasser |
| 11 | 7-25-02052 | 1 | FITTING 3/4PIPE TO 3/4BARBED |
| 12 | 7-33-02394 | 2 | Schlauch |
| 13 | 7-33-02374 | 1 | Schlauch, Frischwasser- zuf uhr |
| 14 | 7-33-02394 | 1 | Schlauch |
| 15 | 7-33-02376 | 1 | Schlauch, Frischwasser- zuf uhr |
| 16 | 7-33-02379-1 | 1 | Schlauch Reinigungsmitt.I inks "ENCORE R" |
| 17 | 7-27-07191-1 | 1 | SCRUB DECK 34 ENCORE R |
| 18 | 2-00-00641 | 3 | Mutter 6kt- 1/4-20 |
| 19 | 2-00-00221 | 2 | Sechskantschraube .25 20 X .75 GR 8 ZN |

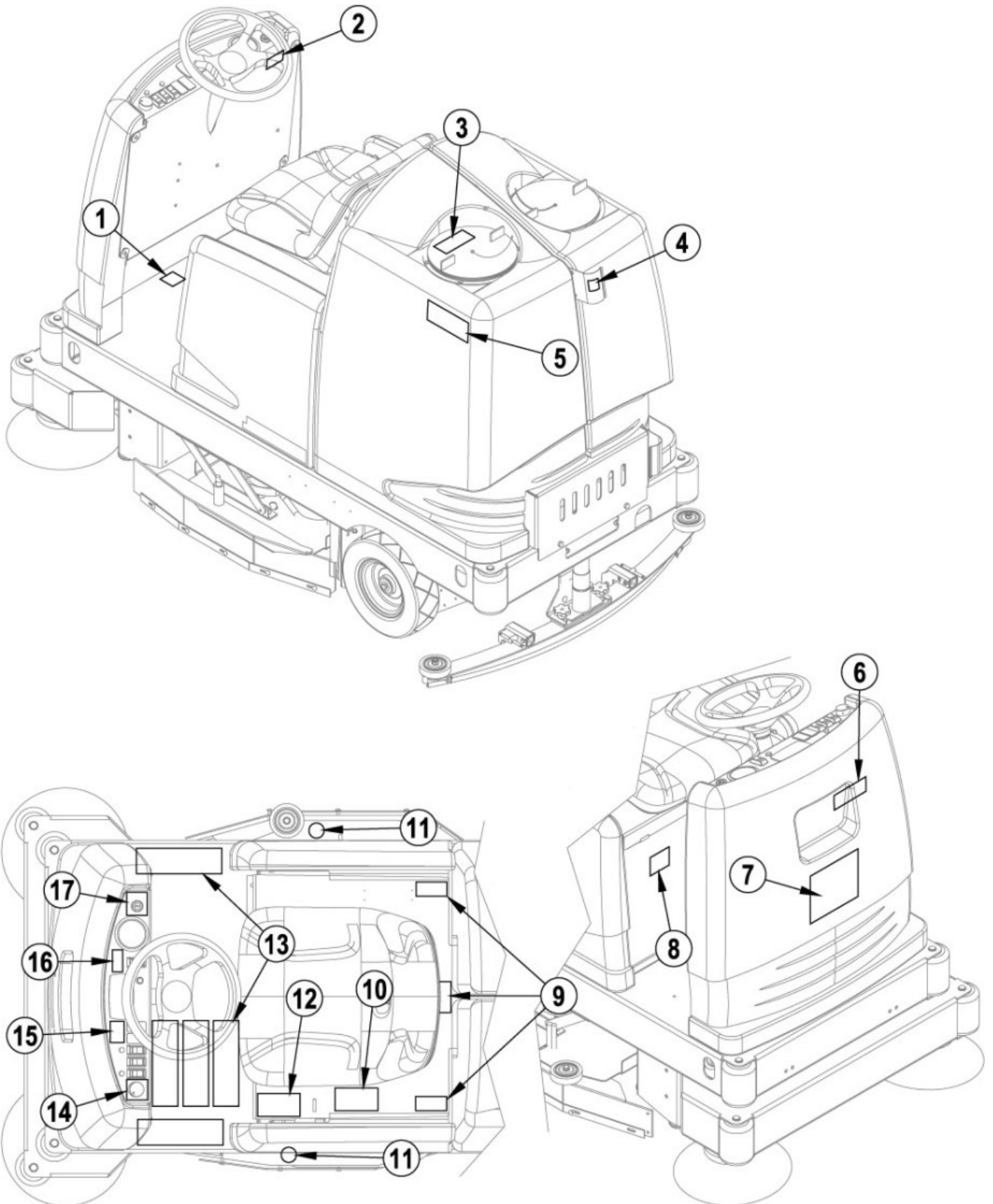
Decal Assembly

ENCORE R from serial no. 180337

13-01-2013

ET-Liste-Nr.
ENCORER53

55



Decal Assembly

ENCORE R from serial no. 180337

13-01-2013

ET-Liste-Nr.
ENCORER53

56

| Pos | Artikelnr. | Me | Beschreibung | |
|-----|------------|----|------------------------------|---|
| 0 | 0760-846 | 1 | DECAL KIT-ADHESIVE SPANI | |
| 0 | 0760-847 | 1 | DECAL KIT ADHESIVE FRENCH | |
| 0 | 0760-848 | 1 | Klebeschild-Satz deutsch | |
| 0 | 0760-849 | 1 | DECAL KIT ADHESIVE DUTCH | |
| 0 | 0760-851 | 1 | DECAL KIT ADHESIVE ITALIAN | |
| 0 | 0760-852 | 1 | DECAL KIT ADHESIVENORWEGIAN | |
| 0 | 0760-853 | 1 | DECAL KIT ADHESIVE SWEDISH | |
| 0 | 0760-854 | 1 | DECAL KIT ADHESIVE PORTUGESE | |
| 1 | 8-18-00492 | 1 | Aufkleber f. Signalhorn | |
| 2 | | 1 | NOTE COMMENT | DECAL, KEY SWITCH WARNING NOTE 1 |
| 3 | | 1 | NOTE COMMENT | DECAL, NO GASOLINE OR COMBUSTIBLES NOTE 1 |
| 4 | 8-18-00496 | 1 | DECAL OPEN FOR DRAIN HOSE | |
| 5 | 8-18-00535 | 2 | DECAL ENCORE R ADHESIVE | |
| 6 | | 1 | NOTE COMMENT | DECAL, ELECTRICAL HAZARD NOTE 1 |
| 7 | 56109412 | 1 | DECAL NILFISK ALTO | |
| 8 | | 1 | NOTE COMMENT | DECAL, PATENTS NOTE 1 |
| 9 | | 3 | NOTE COMMENT | DECAL, PINCH POINT NOTE 1 |
| 10 | | 1 | NOTE COMMENT | DECAL, BATTERY CHARGING WARNINGS NOTE 1 |
| 11 | | 2 | NOTE COMMENT | DECAL, NO STEP NOTE 1 |
| 12 | | 1 | NOTE COMMENT | DECAL, COVER COULD CLOSE NOTE 1 |
| 13 | 8-50-05022 | 5 | PAD FOOT | |
| 14 | 8-18-00503 | 1 | DECAL SOLUTION CONTROL | |
| 15 | | 1 | NOTE COMMENT | DO NOT USE WITH FLAMMABLES NOTE 1 |
| 16 | | 1 | NOTE COMMENT | DECAL, READ OPERATORÆS MANUAL NOTE 1 |
| 17 | 8-18-00504 | 1 | DECAL KEY SWITCH ADHESIVE | |

NOTE 1: WARNING/SAFETY DECALS KIT FOR YOUR Encore R:

English 0760-855

Danish 0760-849

Norwegian 0760-852

Swedish 0760-853

German 0760-848

Italian 0760-851

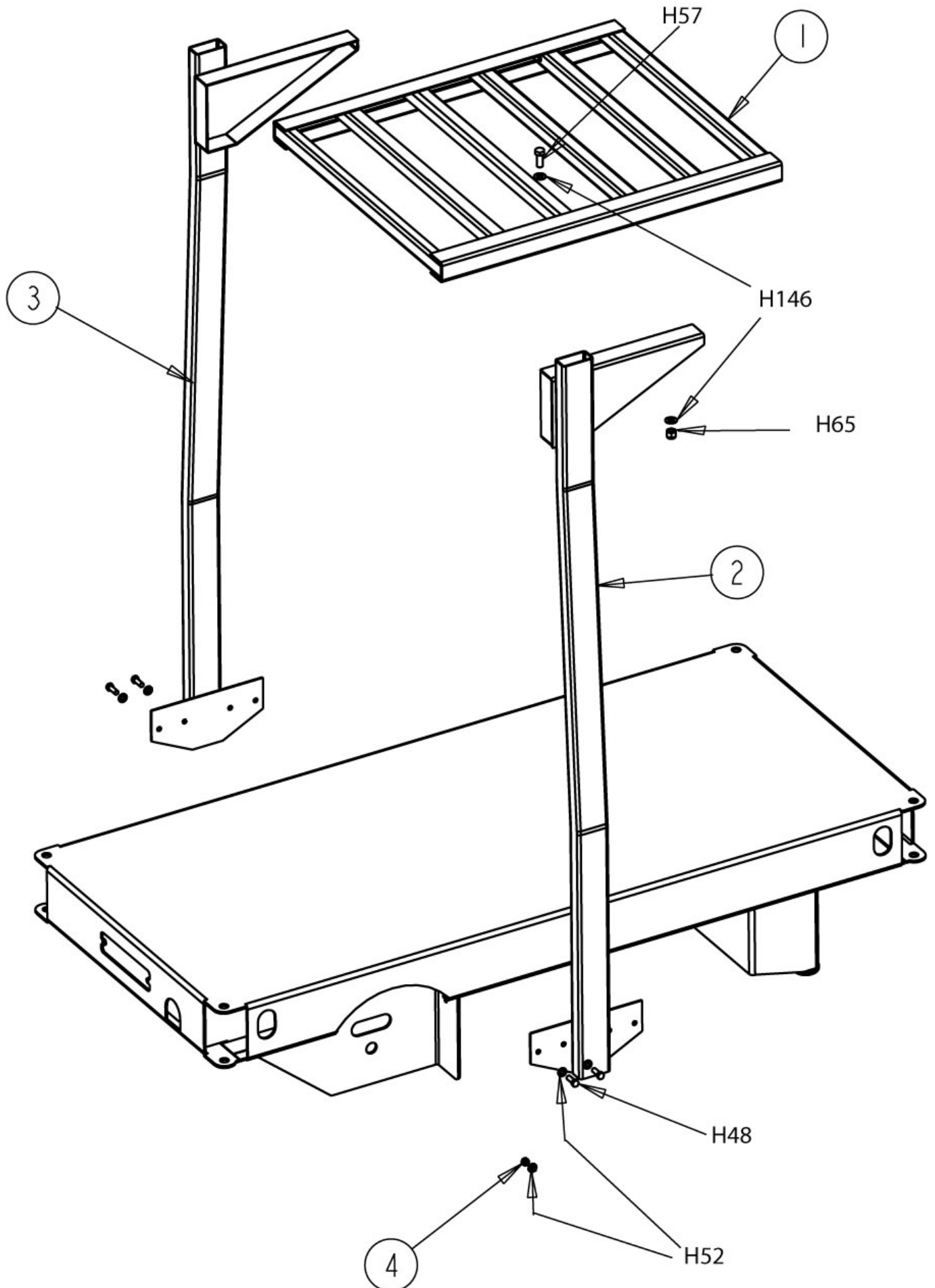
Overhead Guard option

ENCORE R from serial no. 180337

13-01-2013

ET-Liste-Nr.
ENCORER55

57



Overhead Guard option

ENCORE R from serial no. 180337

13-01-2013

ET-Liste-Nr.
ENCORER55

58

| Pos | Artikelnr. | Me | Beschreibung |
|-----|------------|----|---------------------------------|
| 1 | 7-30-05086 | 1 | OHG WELDMENT |
| 2 | 7-30-05100 | 1 | OHG LEG WELDMENT R.H. |
| 3 | 7-30-05101 | 1 | OHG LEG WELDMENT L.H. |
| 4 | 2-95-04182 | 8 | Anschlagmutter .375-16 kadmiert |
| H48 | 2-00-00233 | 8 | 85823A-4 |
| H52 | 2-00-00402 | 16 | Flachscheibe T3/4ODx25/64IDx3 |
| H57 | 2-00-00240 | 8 | Schraube |
| H65 | 2-00-04936 | 8 | Mutter 1/2-13 Stahl elastisch |
| H14 | 2-00-00420 | 16 | Flachscheibe 1.000X.516X.063 ZN |

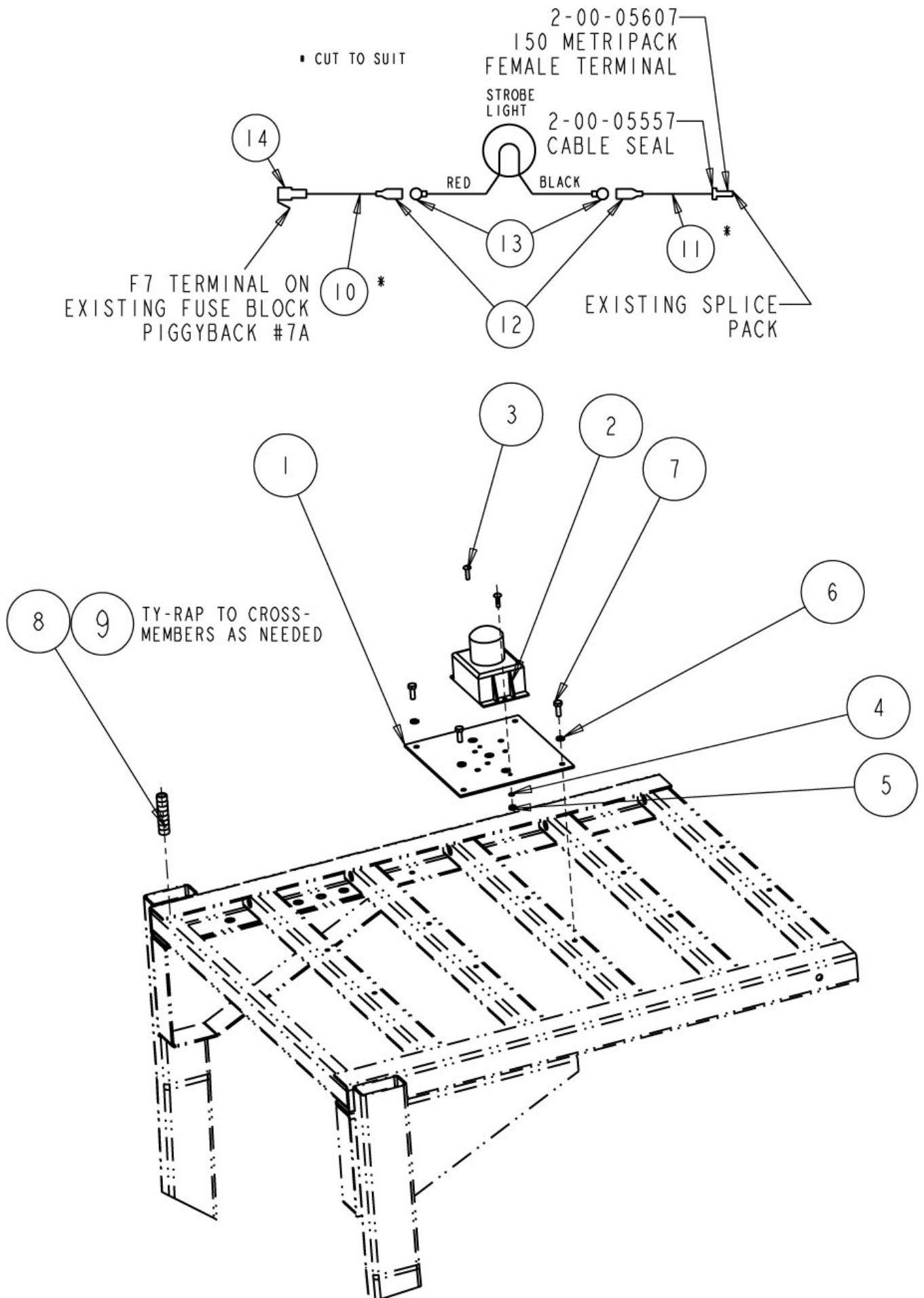
Strobe For Overhead Guard Option No. 0780-5

ENCORE R from serial no. 180337

13-01-2013

ET-Liste-Nr.
ENCORER57

59



Strobe For Overhead Guard Option No. 0780-5

ENCORE R from serial no. 180337

13-01-2013

ET-Liste-Nr.
ENCORER57

60

| Pos | Artikelnr. | Me | Beschreibung |
|-----|------------|----|--|
| 1 | 8-58-05228 | 1 | Befestigungsplatte für Lichthupe |
| 2 | 8-40-05036 | 1 | LIGHT STROBE 12v AMBER |
| 3 | 2-00-03063 | 2 | SCREW THM 10 24 X .75 ZN |
| 4 | 2-00-00512 | 2 | n. m. lieferbar Zahnscheibe J 10,5 DIN 6 |
| 5 | 2-00-00605 | 2 | Mutter 6kt- 10-24x.375x. |
| 6 | 2-00-00518 | 4 | Scheibe |
| 7 | 2-00-00221 | 4 | Sechskantschraube .25 20 X .75 GR 8 ZN |
| 8 | 3-61-02014 | 1 | .695 OD X .50 ID BLACK LOOM |
| 9 | 2-00-04345 | 4 | Kabelbinder, Thomas+Betts-TY-28M |
| 10 | 3-61-00193 | 1 | 16 GA STRANDED RED INSUL WIRE |
| 11 | 3-61-00189 | 1 | Leitung sw 16Ga AWG |
| 12 | 2-00-04626 | 2 | Anschlussklemme - Rund- steckdose |
| 13 | 2-00-04578 | 2 | Anschlussklemme - Rund- stecker |
| 14 | 2-00-04741 | 1 | PIGGY BACK SPADE TERMINAL |

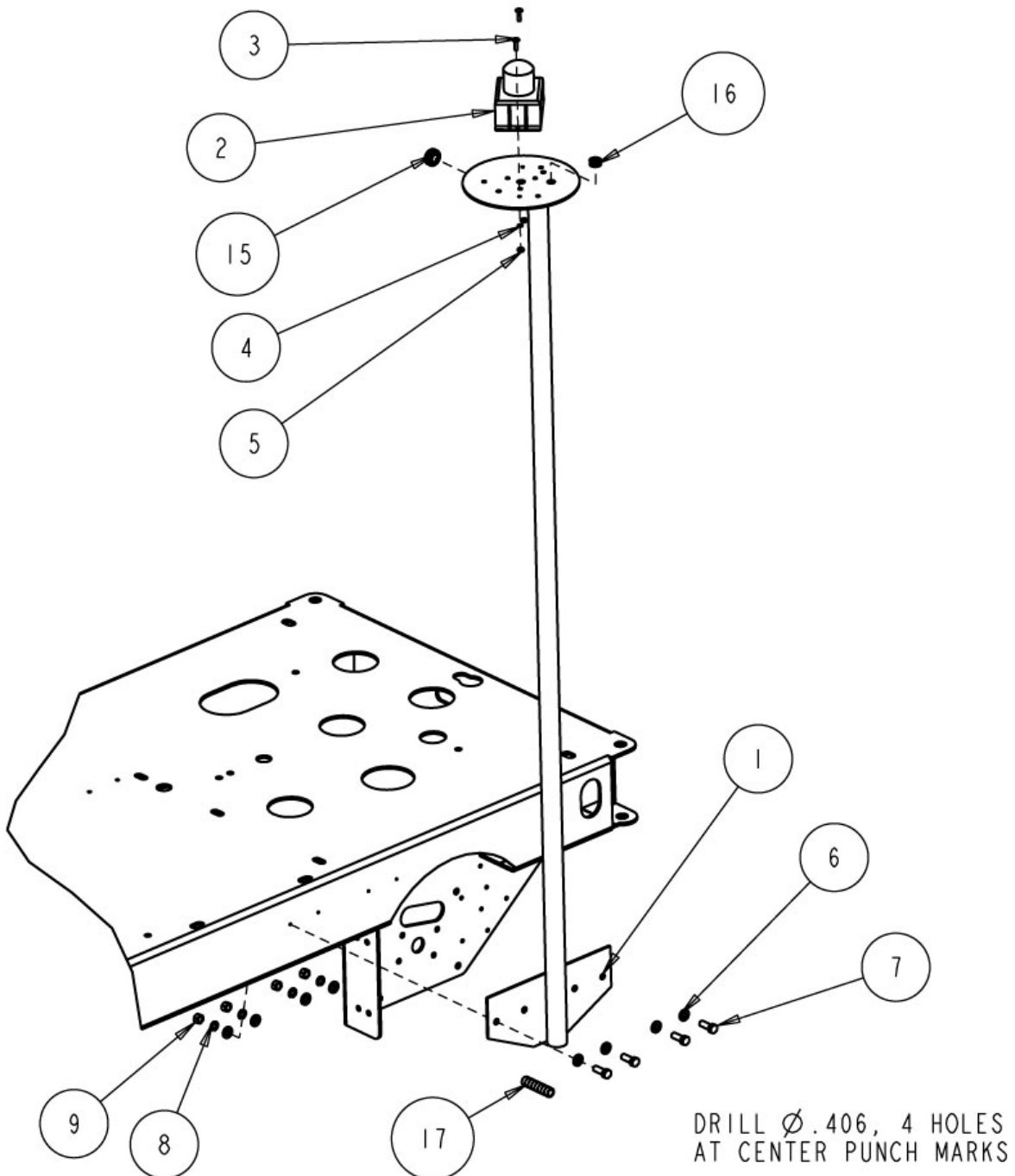
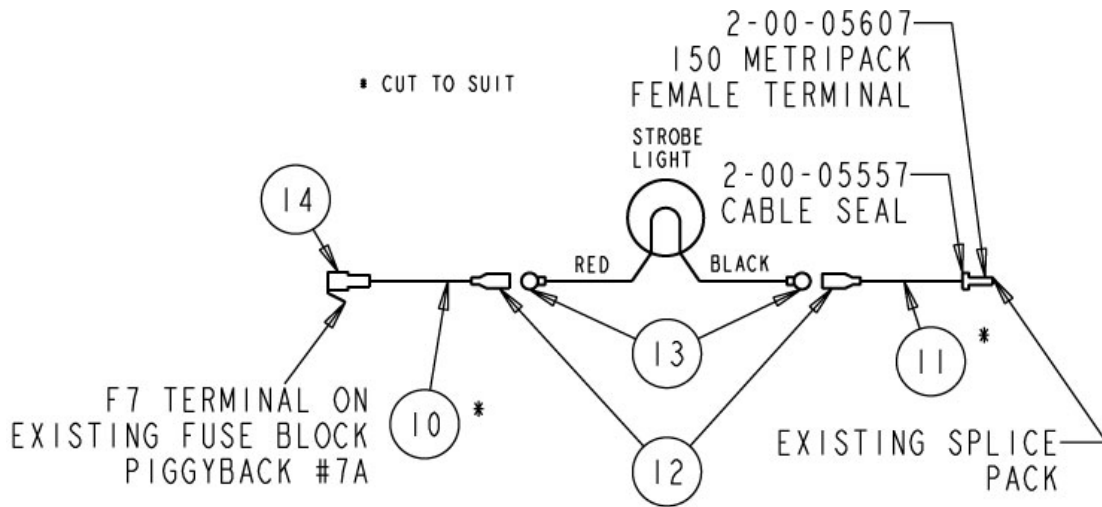
Strobe Option No. 0780-555

ENCORE R from serial no. 180337

13-01-2013

ET-Liste-Nr.
ENCORER59

61



Strobe Option No. 0780-555

ENCORE R from serial no. 180337

13-01-2013

ET-Liste-Nr.
ENCORER59

62

| Pos | Artikelnr. | Me | Beschreibung |
|-----|------------|----|--|
| 1 | 7-81-00203 | 1 | Stütze für Warnleuchte |
| 2 | 8-40-05036 | 1 | LIGHT STROBE 12v AMBER |
| 3 | 2-00-03063 | 2 | SCREW THM 10 24 X .75 ZN |
| 4 | 2-00-00512 | 2 | n. m. lieferbar Zahnscheibe J 10,5 DIN 6 |
| 5 | 2-00-00605 | 2 | Mutter 6kt- 10-24x.375x. |
| 6 | 2-00-00402 | 8 | Flachscheibe T3/4ODx25/64IDx3 |
| 7 | 2-00-00233 | 4 | 85823A-4 |
| 8 | 2-00-02310 | 4 | Sicherungsring |
| 9 | 2-00-02360 | 4 | Sechskantmutter |
| 10 | 3-61-00193 | 1 | 16 GA STRANDED RED INSUL WIRE |
| 11 | 3-61-00189 | 1 | Leitung sw 16Ga AWG |
| 12 | 2-00-04626 | 2 | Anschlussklemme - Rund- steckdose |
| 13 | 2-00-04578 | 2 | Anschlussklemme - Rund- stecker |
| 14 | 2-00-04741 | 1 | PIGGY BACK SPADE TERMINAL |
| 15 | 2-00-03261 | 1 | GROM BAT CABLE ATLANTIC INDIA |
| 16 | 2-00-00491 | 1 | GROMMET RUB .75 .375 |
| 17 | 3-61-02014 | 1 | .695 OD X .50 ID BLACK LOOM |

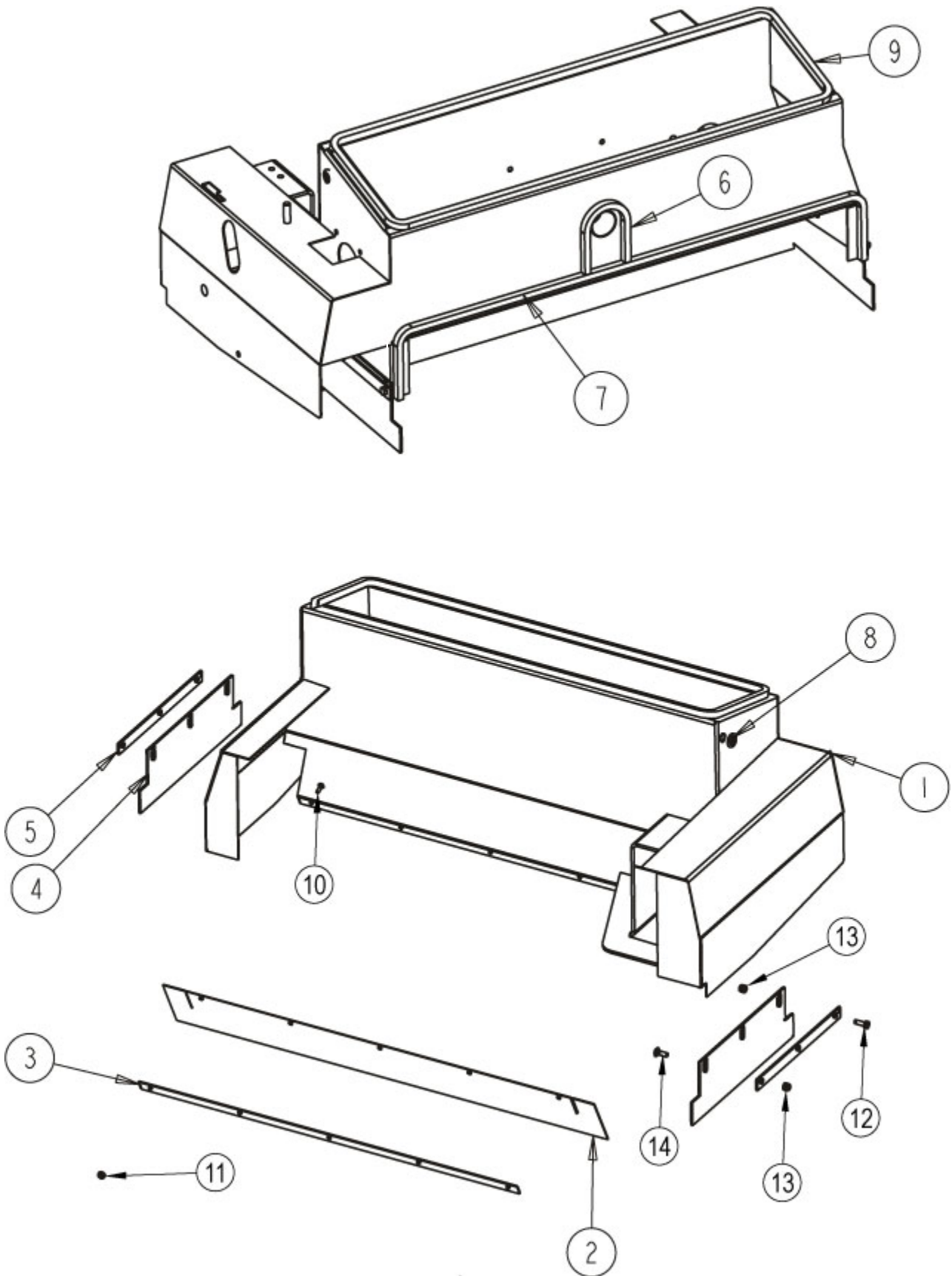
Presweep Option-Frame And Flaps Option No. 07

ENCORE R from serial no. 180337

13-01-2013

ET-Liste-Nr.
ENCORER61

63



Presweep Option-Frame And Flaps Option No. 07

ENCORE R from serial no. 180337

13-01-2013

ET-Liste-Nr.
ENCORER61

64

| Pos | Artikelnr. | Me | Beschreibung |
|-----|------------|----|--|
| 1 | 7-27-07193 | 1 | BROOM HOUSING 5730 PRESWP OPT |
| 2 | 7-25-08080 | 1 | Klappe hinten |
| 3 | 7-13-07126 | 1 | CLAMP-REAR FLAP nicht mehr lieferbar |
| 4 | 7-25-08081 | 2 | Seitenschürze |
| 5 | 7-13-07194 | 2 | CLAMP SIDE SQUEEGEE |
| 6 | 7-29-00253 | 1 | GASKET HOPPER ENCORE R |
| 7 | 7-29-00252 | 1 | GASKET HOPPER ENCORE R |
| 8 | 2-00-04341 | 1 | GROM ATLANTIC INDIA 2858 |
| 9 | 7-29-00251 | 1 | GASKET HOPPER ENCORE R |
| 10 | 2-00-00049 | 5 | Halbrundkopfschraube 10 24 X .50 ZN PL |
| 11 | 2-00-01246 | 5 | Buchseneinsatz |
| 12 | 2-00-00221 | 1 | Sechskantschraube .25 20 X .75 GR 8 ZN |
| 13 | 2-00-00641 | 6 | Mutter 6kt- 1/4-20 |
| 14 | 2-00-03575 | 5 | Flachrundschrabe 25-20 X .75 GR |

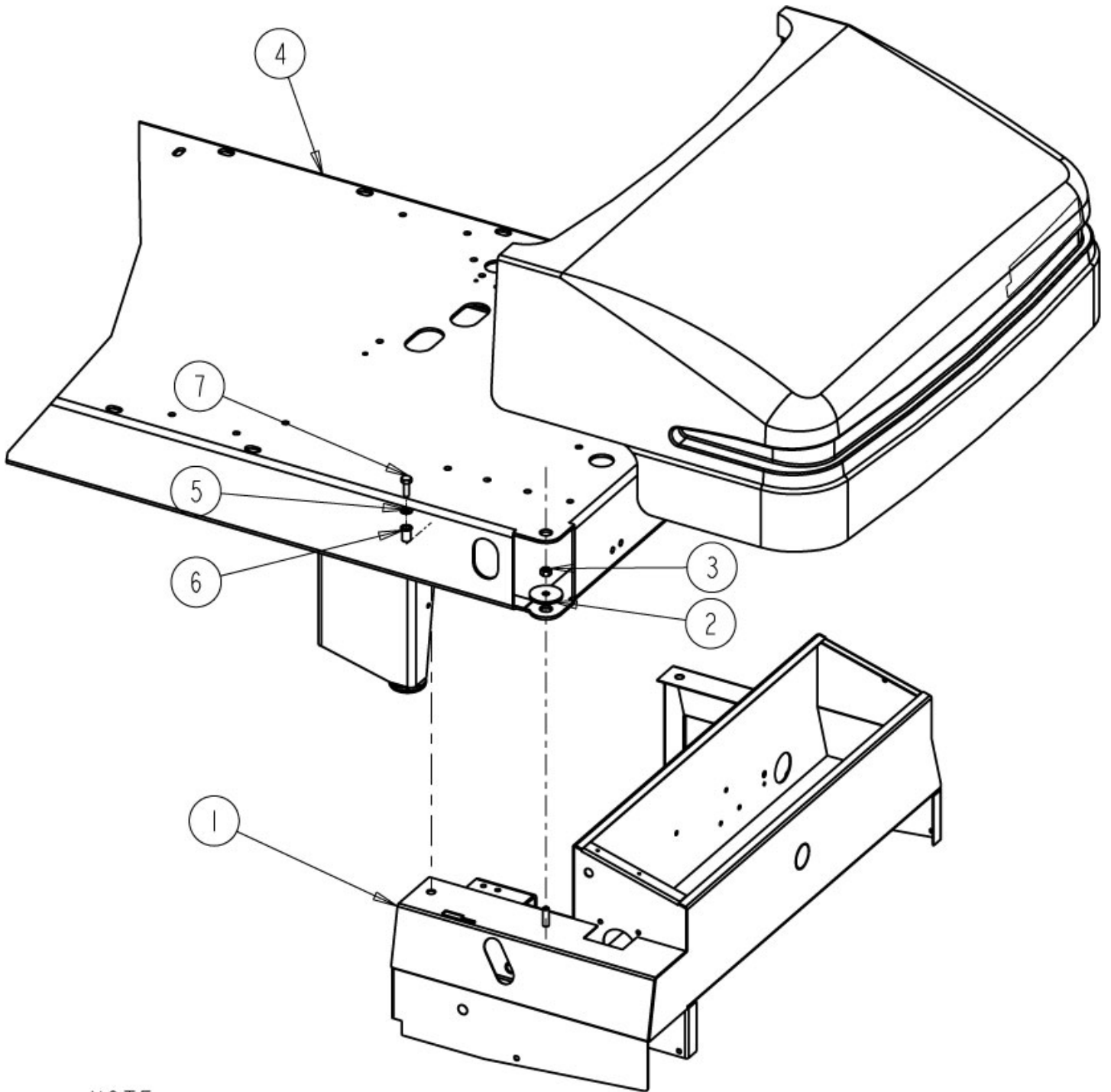
Presweep Option-Frame And Flaps Option No. 07

ENCORE R from serial no. 180337

13-01-2013

ET-Liste-Nr.
ENCORER63

65



NOTE:
REMOVE (7-30-05105) WHEEL GUARD BEFORE INSTALLING PRESWEEP

Presweep Option-Frame And Flaps Option No. 07

ENCORE R from serial no. 180337

13-01-2013

ET-Liste-Nr.
ENCORER63

66

| Pos | Artikelnr. | Me | Beschreibung |
|-----|------------|----|---|
| 1 | 7-27-07193 | 1 | BROOM HOUSING 5730 PRESWP OPT |
| 2 | 2-95-04689 | 2 | Scheibe für Achse |
| 3 | 2-95-04182 | 2 | Anschlagmutter .375-16 kadmiert |
| 4 | 7-27-07223 | 1 | MAIN FRAME SR5730 |
| 5 | 2-00-00409 | 2 | 980651-4 |
| 6 | 2-00-05330 | 2 | Gewindeinsatz 5/16-18 |
| 7 | 2-00-02708 | 2 | Sechskantschr. m Schlitz- mutter .313 18 X 1.00 |

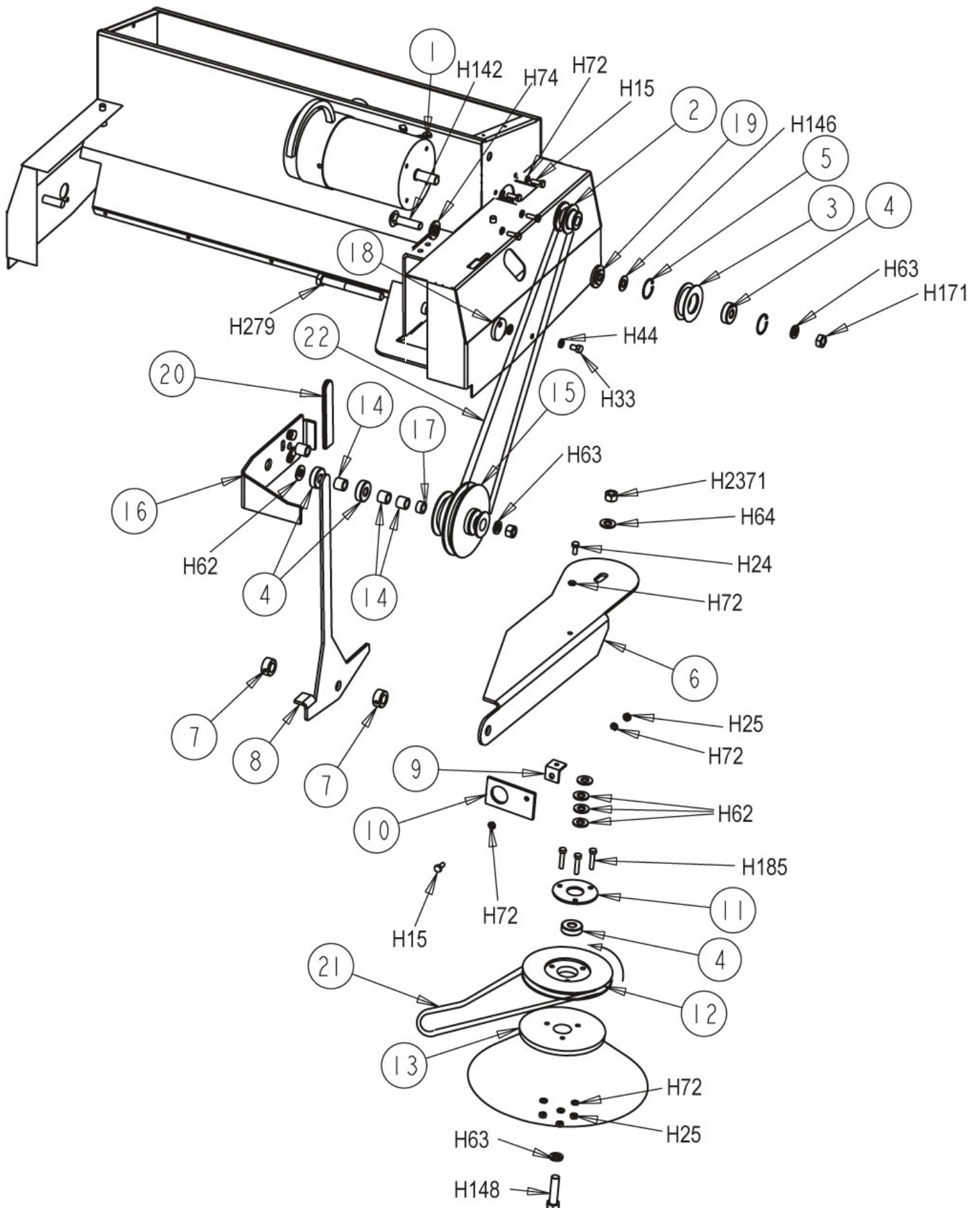
Presweep Option-Broom Drive

ENCORE R from serial no. 180337

13-01-2013

ET-Liste-Nr.
ENCORER65

67



Presweep Option-Broom Drive

ENCORE R from serial no. 180337

13-01-2013

ET-Liste-Nr.
ENCORER65

68

| Pos | Artikelnr. | Me | Beschreibung |
|-----|--------------|----|--|
| 1 | 0782-110 | 1 | Motor, kpl., Recy cling |
| 2 | 7-60-00158 | 1 | Riemenscheibe, Motor |
| 3 | 8-60-00161 | 1 | Spannriemenscheibe - rückwärts |
| 4 | 2-00-03306 | 4 | BRG, Schatz-BR-9921, Max |
| 5 | 2-00-00532 | 2 | Ring Waldes N5000-137 |
| 6 | 7-03-04184 | 1 | ARM SIDE BROOM |
| 7 | 8-15-01002 | 2 | Hülse-Schraube-Satz |
| 9 | 7-08-00223 | 1 | BRKT COVER RDCR |
| 10 | 8-30-08021 | 1 | GUIDE SIDE BROOM DRIVE BELT |
| 11 | 7-25-06030 | 1 | FLANGE SIDE BROOM PULLEY |
| 12 | 7-60-00155 | 1 | PULLEY SIDE BROOM |
| 13 | 7-08-03230 | 1 | Seitenbesen |
| 14 | 7-75-01139 | 3 | SPACER SHAFT PULLEY |
| 15 | 7-60-00157-1 | 1 | Riemenscheibe, Vorlegewelle |
| 16 | 7-81-00145 | 1 | SUPPORT MAIN BRM LIFT RH WELD |
| 17 | 8-75-01044 | 1 | SPCR BAND BRAKE |
| 18 | 7-78-05027 | 1 | STOP SIDE BROOM |
| 19 | 7-75-01189 | 1 | SPACER IDLER |
| 20 | 7-31-06065 | 1 | Lenkergriff 1.0 x .12 |
| 21 | 2-00-02111 | 1 | Keilriemen 3L 520 |
| 22 | 2-00-05066 | 1 | Keilriemen .500 x 31.000 x .343 |
| H15 | 2-00-00221 | 5 | Sechskantschraube .25 20 X .75 GR 8 ZN |
| H24 | 2-00-00220 | 1 | 6-kantschraube .25-20x6.3 |
| H25 | 2-00-00594 | 4 | Mutter 6kt- 1/4-20 |
| H33 | 2-00-00224 | 1 | Sechskantschraube .313 18 X .50 GR 5 ZN |
| H44 | 2-00-00530 | 1 | Sicherungsscheibe Spiralfeder |
| H62 | 2-00-00405 | 6 | Scheibe |
| H63 | 2-00-02312 | 3 | Scheibe |
| H64 | 2-00-02371 | 2 | Sechskant-Sicherungs- mutter .50-13 ZN |
| H72 | 2-00-00518 | 10 | Scheibe |
| H74 | 2-00-03170 | 1 | Distanzstück 1,500 X .750 X .1 |
| H14 | 2-00-05244 | 1 | BOLT CARRIAGE ,50-13 X 2, nicht mehr lieferbar |
| H14 | 2-00-02303 | 1 | LK WASH INT TOOTH ZINC PL |
| H14 | 2-00-00420 | 1 | Flachscheibe 1.000X.516X.063 ZN |
| H14 | 2-00-01778 | 1 | SCREW HHC .50 13 X 2.00 |
| H17 | 2-00-02371 | 1 | Sechskant-Sicherungs- mutter .50-13 ZN |
| H18 | 2-00-02588 | 3 | Sechskantschraube .25 20 X 1.125 GR 5 |
| H27 | 2-00-04914 | 1 | Schraube HHC.50-13x4,5 GR |

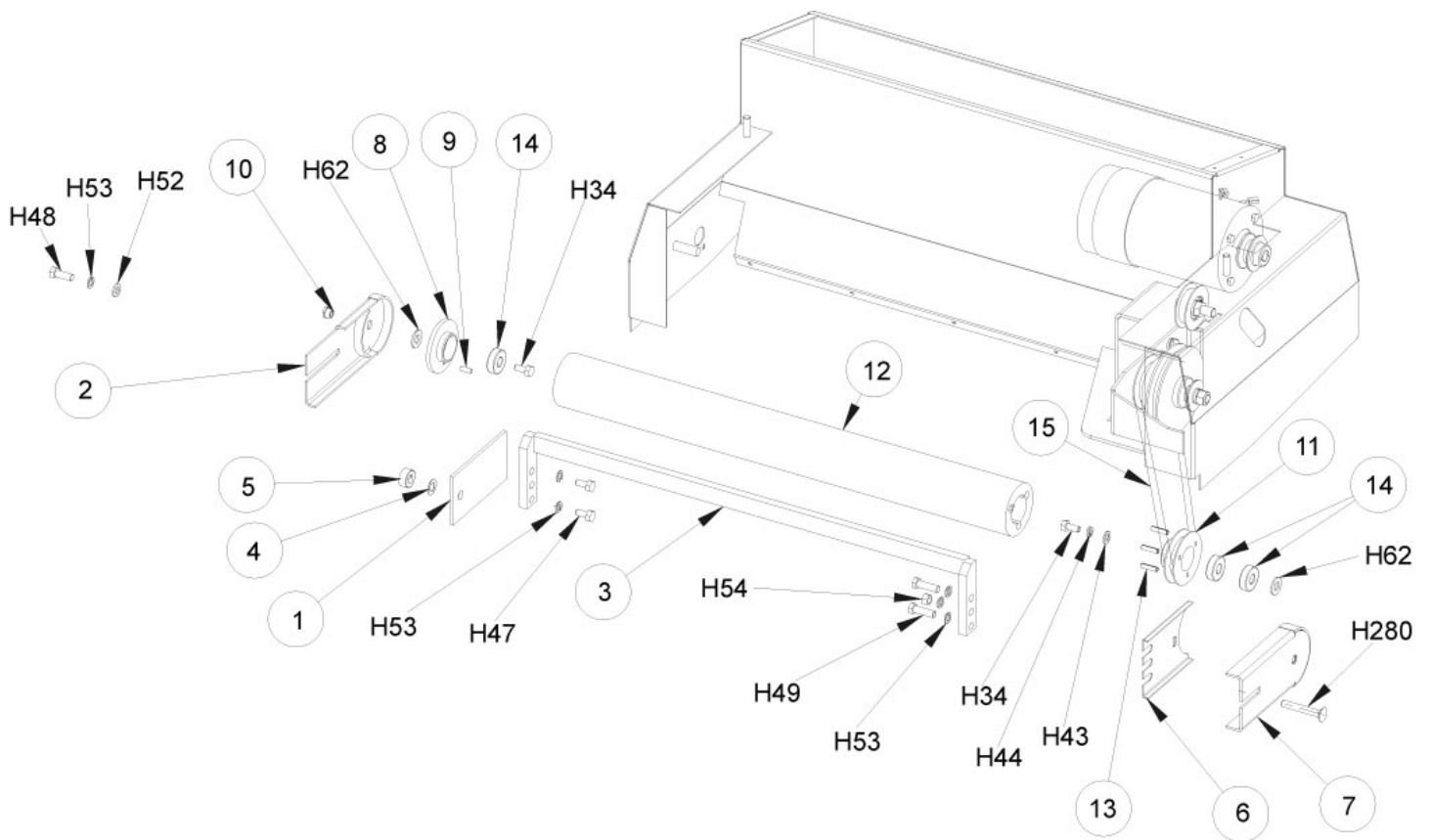
Presweep Option-Main Broom

ENCORE R from serial no. 180337

13-01-2013

ET-Liste-Nr.
ENCORER67

69



Presweep Option-Main Broom

ENCORE R from serial no. 180337

13-01-2013

ET-Liste-Nr.
ENCORER67

70

| Pos | Artikelnr. | Me | Beschreibung |
|-----|------------|----|---|
| 1 | 7-81-00166 | 1 | SUPPORT MAIN BROOM |
| 2 | 7-03-04185 | 1 | ARM BROOM LIFT LH |
| 3 | 7-81-00167 | 1 | SUPPORT MAIN BROOM WELDED |
| 4 | 2-00-03382 | 1 | Klemmscheibe, rüttelsicher, 350 |
| 5 | 2-00-03589 | 1 | Hülse mit Stellschraube 1.00 Außen-Ø/.500 Innen-Ø |
| 6 | 7-30-05104 | 1 | GUARD MAIN BROOM |
| 7 | 7-03-04186 | 1 | Arm, Kehrwalzenanheber |
| 8 | 7-11-04011 | 1 | Endkappe für Kehrwalze |
| 9 | 2-00-00875 | 1 | Spannstift .25 Ø X.625 lang ZN |
| 10 | 7-23-03056 | 1 | Mutter Spanniemenscheibe |
| 11 | 7-60-00156 | 1 | Riemenscheibe, Hauptkehrwalze |
| 12 | 7-08-03229 | 1 | Hauptkehrwalze PPPL |
| 13 | 2-00-03842 | 3 | Spannstift 1/4 Ø X1.00 lg |
| 14 | 2-00-03306 | 3 | BRG, Schatz-BR-9921, Max |
| 15 | 2-00-05365 | 1 | Keilriemen |
| H34 | 2-00-00208 | 2 | 85811A-8 |
| H43 | 2-00-00409 | 1 | 980651-4 |
| H44 | 2-00-00530 | 1 | Sicherungsscheibe Spiralfeder |
| H47 | 2-00-00232 | 2 | Sechskantschraube .375 16 X .75 GR5 ZN |
| H48 | 2-00-00233 | 1 | 85823A-4 |
| H49 | 2-00-00209 | 2 | Sechskantschraube .375 16 X 1.25 GR 5 ZN |
| H52 | 2-00-00402 | 1 | Flachscheibe T3/4ODx25/64IDx3 |
| H53 | 2-00-02310 | 6 | Sicherungsring |
| H54 | 2-00-02360 | 1 | Sechskantmutter |
| H62 | 2-00-00405 | 2 | Scheibe |
| H28 | 2-00-00187 | 1 | BOLT CARRIAGE .38 16 X 2.50 |

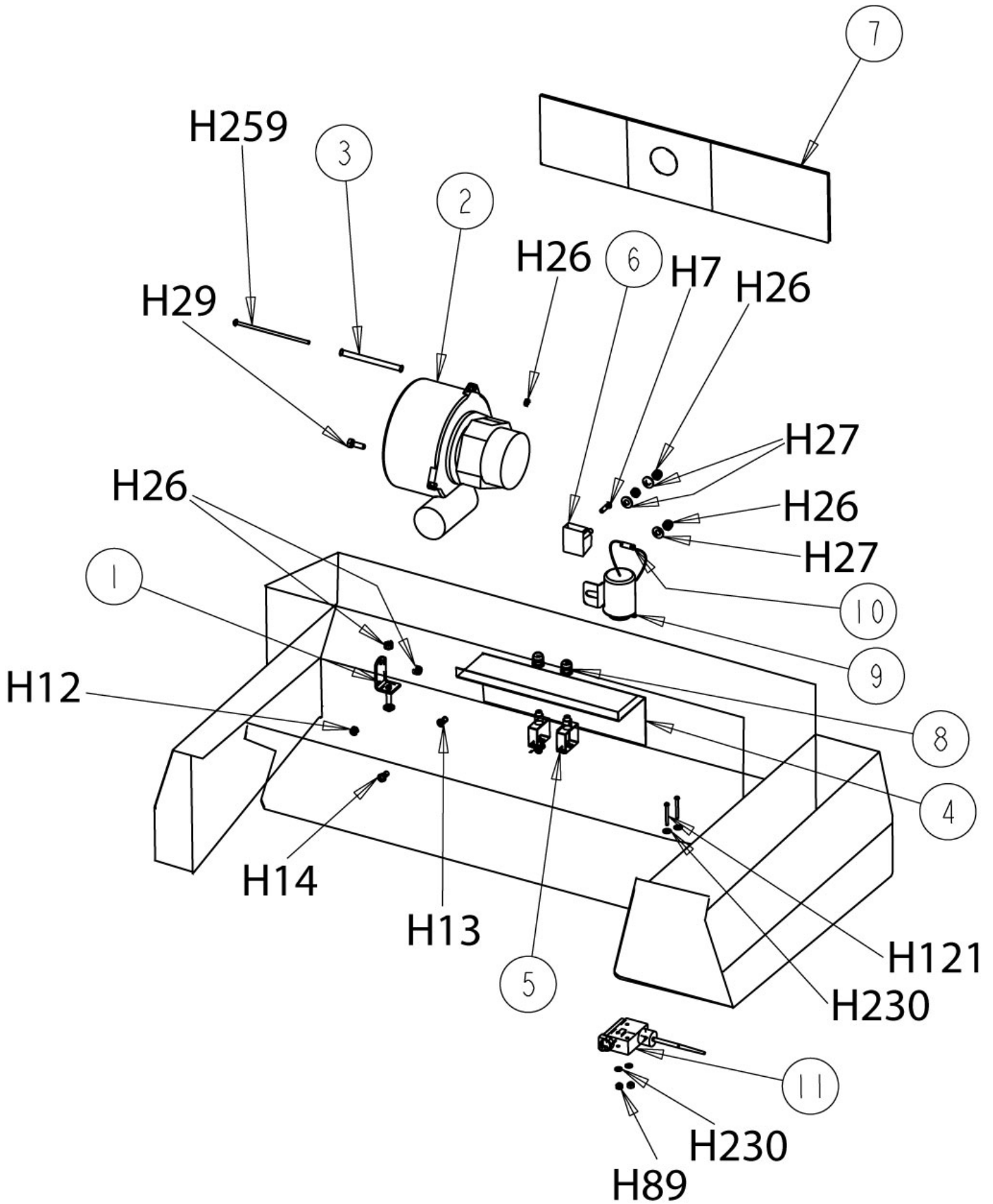
Presweep Option-Dust Control

ENCORE R from serial no. 180337

13-01-2013

ET-Liste-Nr.
ENCORER69

71



Presweep Option-Dust Control

ENCORE R from serial no. 180337

13-01-2013

ET-Liste-Nr.
ENCORER69

72

| Pos | Artikelnr. | Me | Beschreibung |
|-----|------------|----|--|
| 1 | 7-08-00924 | 1 | BRACKET VAC MOUNT 5730 PRESWP |
| 2 | 56109731 | 1 | Saugmotor 36V DC |
| 2 | 56377001 | 1 | Kohlebürstensatz (2) f. BA 700 NOT SHOWN |
| 3 | 7-75-01128 | 1 | Distanzstück |
| 4 | 7-16-07408 | 1 | COVER C.B. MTG. |
| 5 | 7-64-00025 | 2 | Leistungsschalter 25 A |
| 6 | 8-06-05004 | 1 | Sicherungshalter |
| 7 | 7-24-04052 | 1 | Filtersack |
| 8 | 56459369 | 2 | Abdeckung Rückstellknopf |
| 9 | 2-00-04825 | 1 | Magnetauflage |
| 10 | 0775-159 | 1 | Diode, kpl. |
| 11 | 8-82-00058 | 1 | Schalter fuer Platine |
| H7 | 2-00-00056 | 1 | Schraube |
| H12 | 2-00-01246 | 1 | Buchseneinsatz |
| H13 | 2-00-00054 | 2 | SCREW PH.RHM .25 20 X .50 |
| H14 | 2-00-00220 | 2 | 6-kantschraube .25-20x6.3 |
| H25 | 2-00-00594 | 1 | Mutter 6kt- 1/4-20 |
| H26 | 2-00-00641 | 6 | Mutter 6kt- 1/4-20 |
| H27 | 2-00-03702 | 4 | Flachscheibe 625X.281X.063 STL.ZN |
| H89 | 2-00-01372 | 2 | Mutter |
| H12 | 2-00-00090 | 2 | Schraube |
| H17 | 2-00-04986 | 1 | SCW HHC .25 20 X 4.50 GR5 ZN |
| H22 | 2-00-01490 | 1 | Sechskantschraube .25 20 X .875 GR5 ZN |
| H23 | 2-00-00466 | 4 | Scheibe |

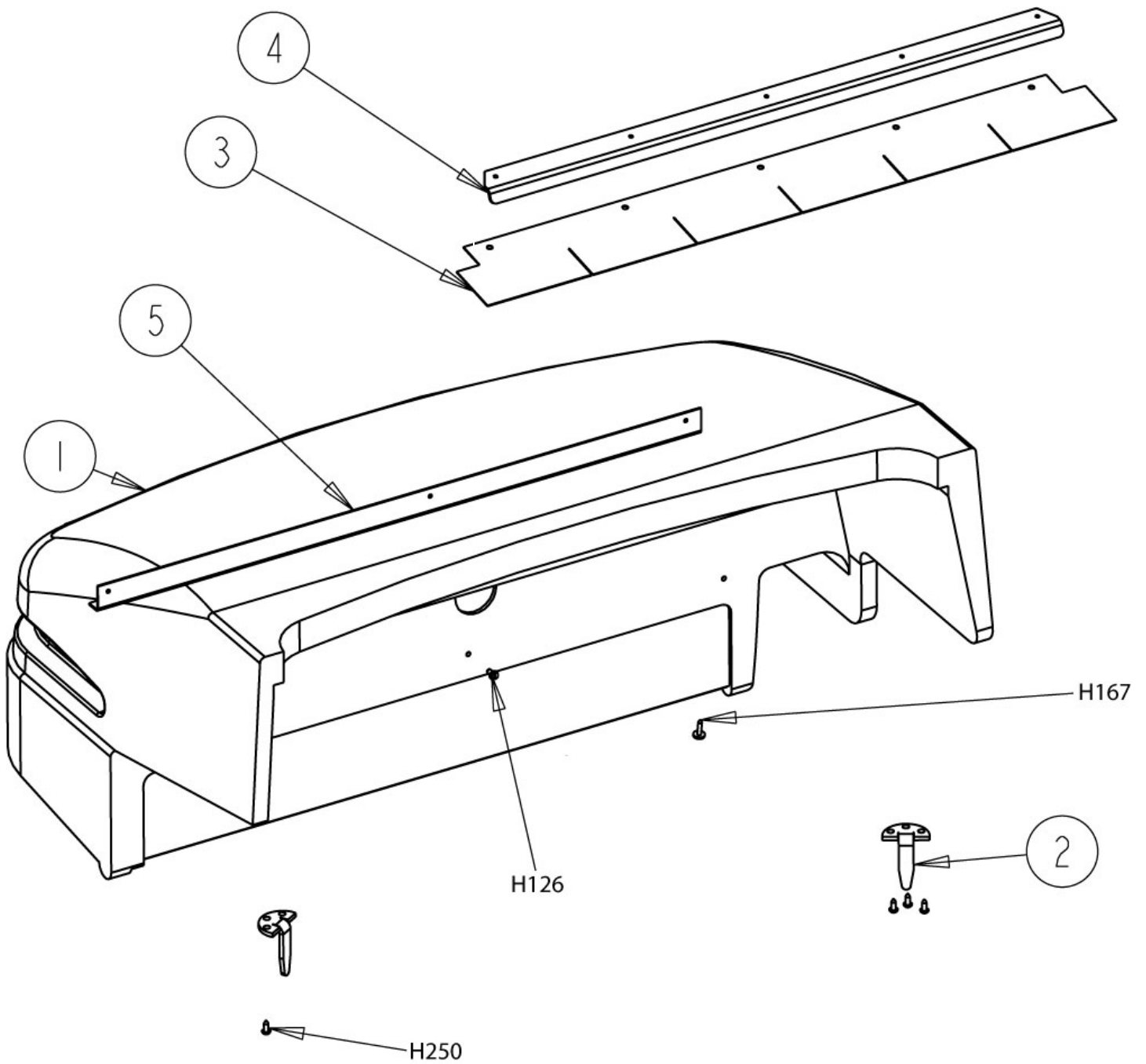
Presweep Option-Hopper

ENCORE R from serial no. 180337

13-01-2013

ET-Liste-Nr.
ENCORER71

73



Presweep Option-Hopper

ENCORE R from serial no. 180337

13-01-2013

ET-Liste-Nr.
ENCORER71

74

| Pos | Artikelnr. | Me | Beschreibung |
|-----|------------|----|-------------------------------|
| 1 | 7-32-06022 | 1 | HOPPER PRESWEEP |
| 2 | 7-55-08160 | 2 | PIN HOPPER GUIDE |
| 3 | 7-25-08079 | 1 | Platte |
| 4 | 7-13-07193 | 1 | CLAMP HOPPER FLAP |
| 5 | 7-08-00950 | 1 | BRACKET STIFFNER ENCORE R |
| H12 | 2-00-03466 | 3 | Schraube |
| H16 | 2-00-04312 | 5 | SCREW T/C SL. HWH 10 24X.63 |
| H25 | 2-00-04968 | 6 | SCREW T/FRH 14 10X1.00 TYPE A |

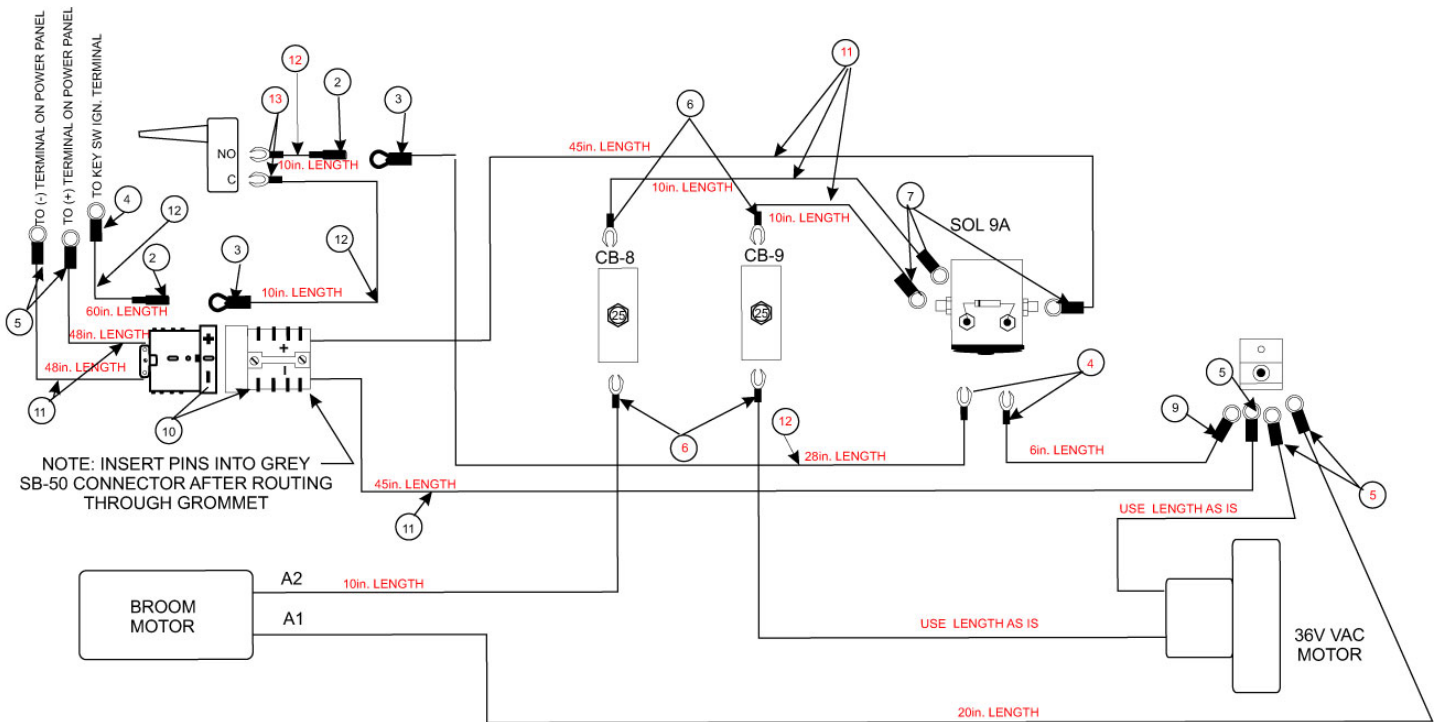
Presweep Option-Wiring

ENCORE R from serial no. 180337

13-01-2013

ET-Liste-Nr.
ENCORER73

75



Presweep Option-Wiring

ENCORE R from serial no. 180337

13-01-2013

ET-Liste-Nr.
ENCORER73

76

| Pos | Artikelnr. | Me | Beschreibung |
|-----|------------|----|-----------------------------------|
| 2 | 2-00-04626 | 2 | Anschlussklemme - Rund- steckdose |
| 3 | 2-00-04578 | 2 | Anschlussklemme - Rund- stecker |
| 4 | 2-00-04281 | 3 | RING TERMINAL INSULATED |
| 5 | 2-00-04859 | 5 | RING TERMINAL INSULATED |
| 6 | 2-00-04714 | 4 | TERMINAL 6 SPRING SPADE |
| 7 | 2-00-04284 | 3 | RING TERMINAL INSULATED |
| 9 | 2-00-02010 | 1 | TERM AMP 34810 TYPE 1 WIRE |
| 10 | 2-00-05411 | 2 | Stecker SB50 GRAY |
| 11 | 3-61-00043 | 1 | NO.10 STRANDED BLK INSUL 18 FT. |
| 12 | 3-61-00189 | 1 | Leitung sw 16Ga AWG 10FT. |
| 13 | 2-00-04808 | 2 | FORK TERMINAL LOCKING |

NOTE: Tie All Wires Together As Needed Using Tie-Raps Cut Lengths Of Items #11 & 12 As Needed

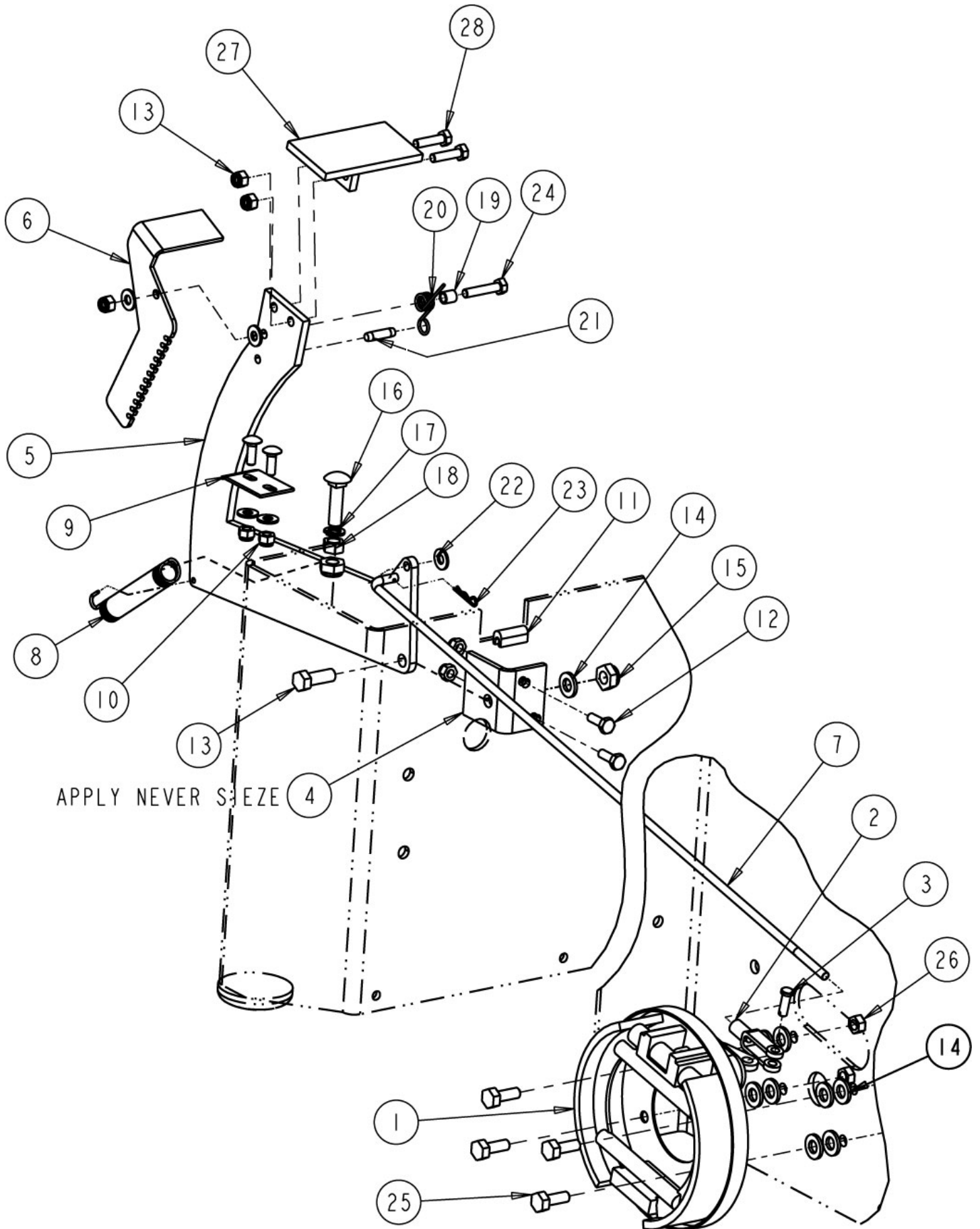
Secondary Rear Breake Option No. 0780-552

ENCORE R from serial no. 180337

13-01-2013

ET-Liste-Nr.
ENCORER75

77



Secondary Rear Breake Option No. 0780-552

ENCORE R from serial no. 180337

13-01-2013

ET-Liste-Nr.
ENCORER75

78

| Pos | Artikelnr. | Me | Beschreibung |
|-----|------------|----|--|
| 0 | 8-50-05030 | 1 | PAD FOOT |
| 0 | 8-50-05063 | 1 | Auflage für Bremspedal "ENCORE R" |
| 1 | 0860-636 | 1 | Bremse, kpl. - links |
| 2 | 8-14-01006 | 1 | Bügel |
| 3 | 2-00-04909 | 1 | Stützstift, kpl., |
| 4 | 7-08-01146 | 1 | BRKT BRAKE PEDAL PIVOT |
| 5 | 7-55-00040 | 1 | PEDAL BRAKE OPT 5730 |
| 6 | 7-55-05070 | 1 | PEDAL PARKING BRAKE OPT 5730 |
| 7 | 7-66-00204 | 1 | ROD BRAKE |
| 8 | 8-76-00054 | 1 | SPR ARM LIFT BRUSH SIDE |
| 9 | 7-13-07226 | 1 | CLIP PARKING BRAKE 5730 OPTION |
| 10 | 2-00-00641 | 7 | Mutter 6kt- 1/4-20 |
| 11 | 8-21-04048 | 1 | Kantenleiste Kehrwalzen- kammer |
| 12 | 2-00-00221 | 2 | Sechskantschraube .25 20 X .75 GR 8 ZN |
| 13 | 2-00-00233 | 1 | 85823A-4 |
| 14 | 2-00-00402 | 9 | Flachscheibe T3/4ODx25/64IDx3 |
| 15 | 2-00-00643 | 2 | NUT INS FIBRE .38 16 ZN PL |
| 16 | 2-00-03750 | 1 | Bolzen Ref. |
| 17 | 2-00-02310 | 1 | Sicherungsring |
| 18 | 2-00-02360 | 1 | Sechskantmutter |
| 19 | 8-09-01069 | 1 | BUSHING |
| 20 | 7-76-00013 | 1 | SPR PEDAL RLSE SQUEEGEE |
| 21 | 2-00-05916 | 1 | PIN |
| 22 | 2-00-03702 | 5 | Flachscheibe 625X.281X.063 STL.ZN |
| 23 | 2-00-05249 | 1 | Haarnadelsplint |
| 24 | 2-00-00222 | 1 | Sechskantschraube .25 20 X 1.25 G5 ZN |
| 25 | 2-00-01255 | 4 | 6-kantschr. .313-18x.875 |
| 26 | 2-00-00644 | 4 | Fiber-Einpressmutter |
| 27 | 7-55-00041 | 1 | BRAKE PEDAL |
| 28 | 2-00-00205 | 2 | Sechskantschraube .25 20X1.0 GR 5 |

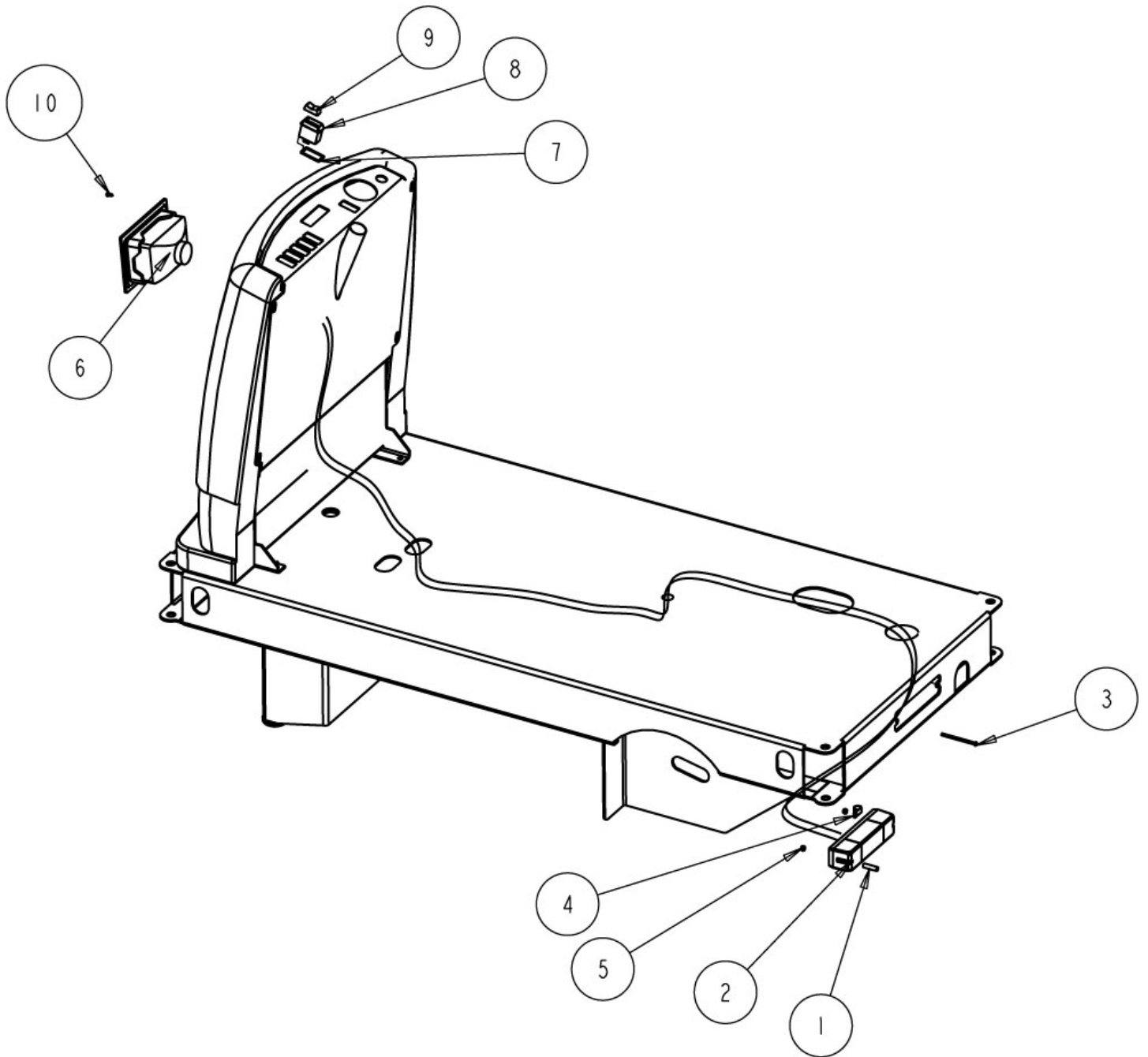
Light Package Option No. 0780-557

ENCORE R from serial no. 180337

13-01-2013

ET-Liste-Nr.
ENCORER77

79



Light Package Option No. 0780-557

ENCORE R from serial no. 180337

13-01-2013

ET-Liste-Nr.
ENCORER77

80

| Pos | Artikelnr. | Me | Beschreibung | |
|-----|------------|----|----------------------------------|-----------|
| 0 | 56109402 | 1 | LIGHT PACKAGE HARNESS | NOT SHOWN |
| 1 | 8-75-01207 | 2 | SPACER TAILLIGHT MTG. | |
| 2 | 56382869 | 1 | TAIL LIGHT KIT | |
| 3 | 2-00-02933 | 2 | Metallschraube 10-24X3 (85358) | |
| 4 | 2-00-04210 | 1 | Schelle - Weckesser - .25-6B NYL | |
| 5 | 2-00-01246 | 2 | Buchseneinsatz | |
| 6 | 8-40-05052 | 1 | LIGHT HEAD 36V | |
| 7 | 2-00-05869 | 1 | EATON SWITCH GASKET | |
| 8 | 2-00-05827 | 1 | Schaltkörper für hohen Strom | |
| 9 | 2-00-05837 | 1 | LIGHT SWITCH ACTUATOR | |
| 10 | 2-00-03466 | 4 | Schraube | |

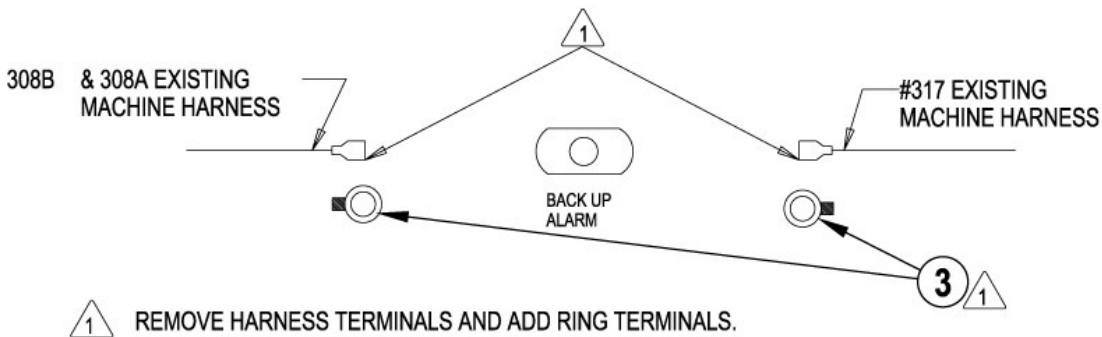
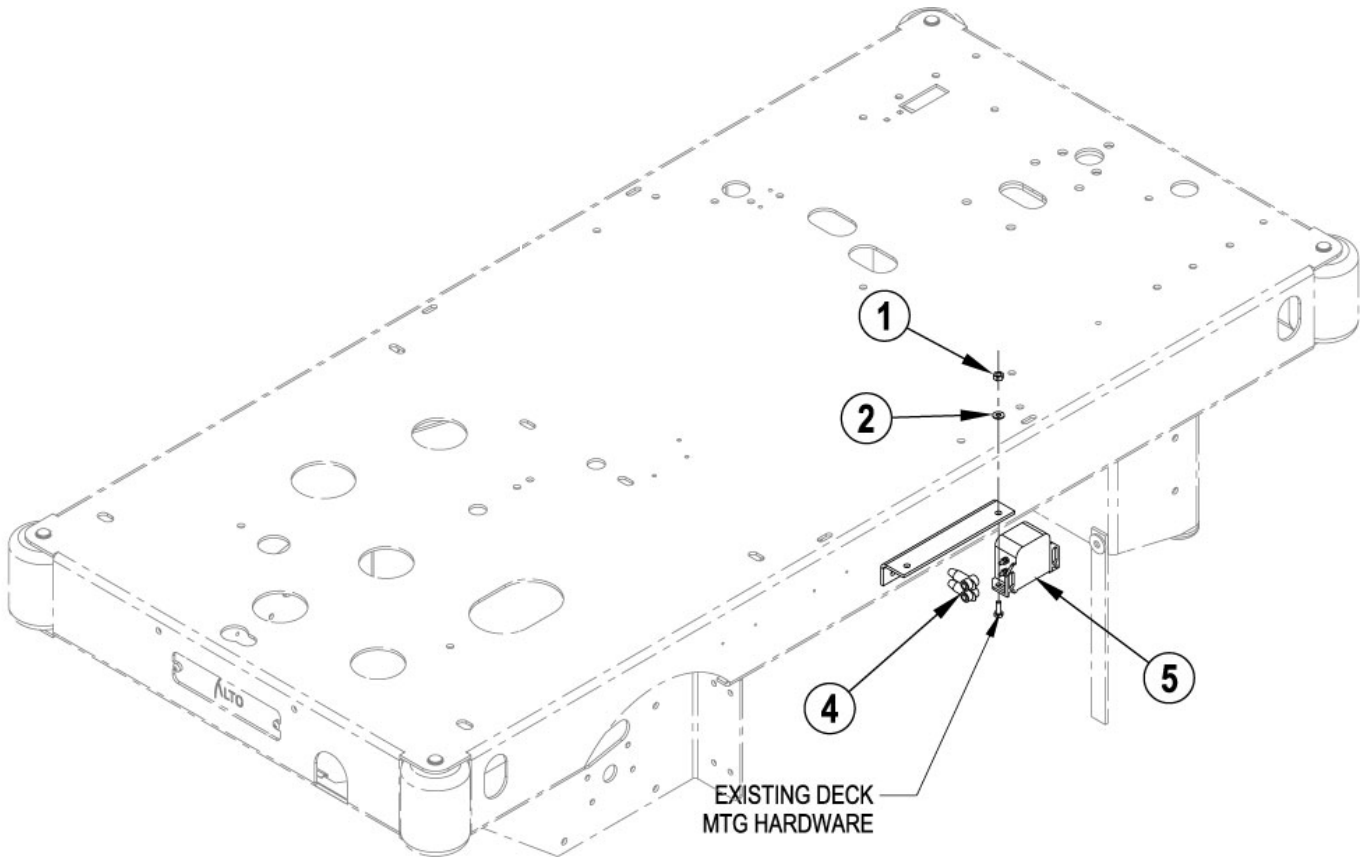
Backup Alarm Option No. 0780-551 (Standard Fea

ENCORE R from serial no. 180337

13-01-2013

ET-Liste-Nr.
ENCORER79

81



Backup Alarm Option No. 0780-551 (Standard Fe

ENCORE R from serial no. 180337

13-01-2013

ET-Liste-Nr.
ENCORER79

82

| Pos | Artikelnr. | Me | Beschreibung |
|-----|------------|----|-----------------------------------|
| 1 | 2-00-00644 | 1 | Fiber-Einpressmutter |
| 2 | 2-00-03702 | 1 | Flachscheibe 625X.281X.063 STL.ZN |
| 3 | 2-00-00828 | 2 | TERM STAKON T+B B 71 TYPE 1 |
| 4 | 56409538 | 2 | Isolator |
| 5 | 56409232 | 1 | Back-Up Alarm |

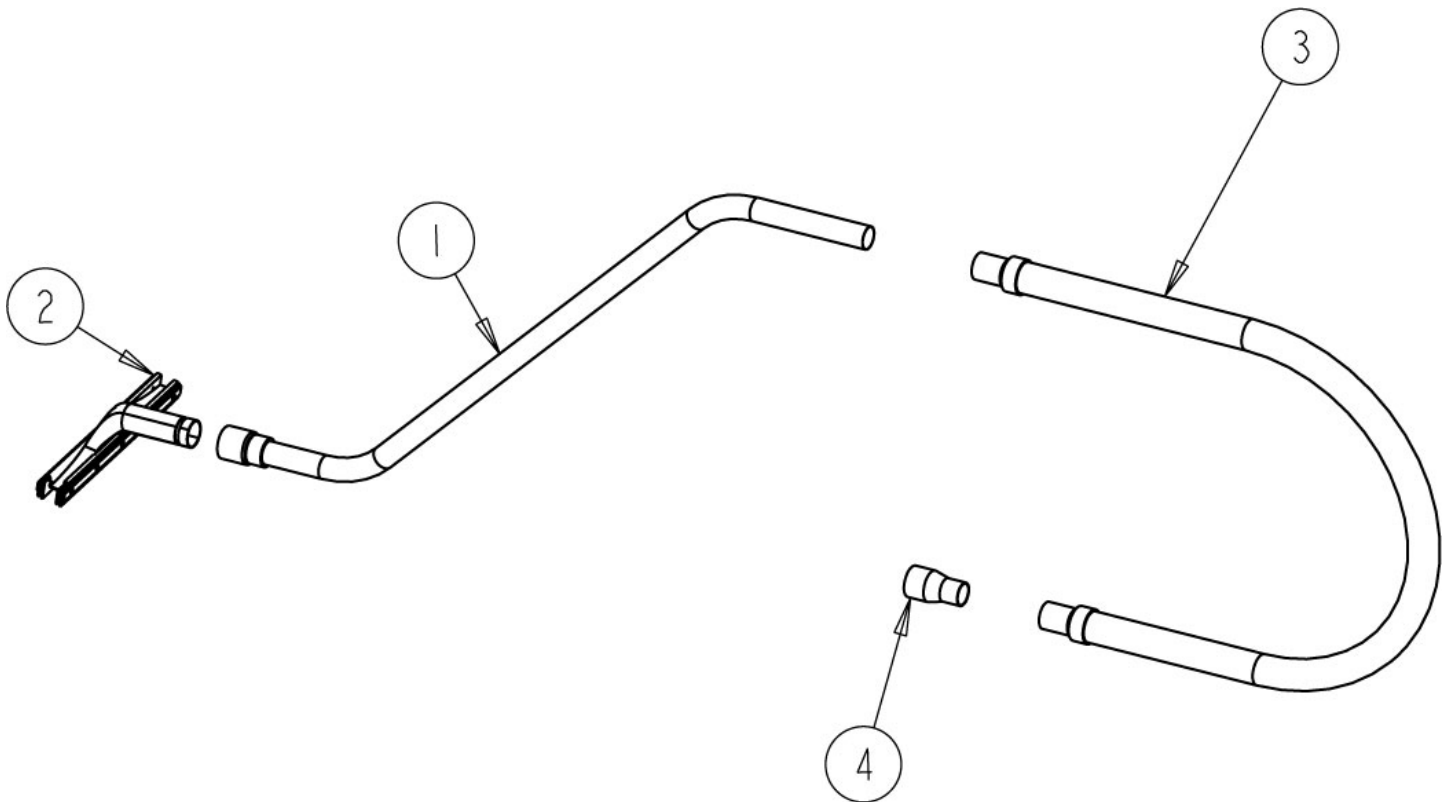
Squeegee wand Option No. 0780-429

ENCORE R from serial no. 180337

13-01-2013

ET-Liste-Nr.
ENCORER81

83



Squeegee wand Option No. 0780-429

ENCORE R from serial no. 180337

13-01-2013

ET-Liste-Nr.
ENCORER81

84

| Pos | Artikelnr. | Me | Beschreibung |
|-----|------------|----|--|
| 1 | 639804 | 1 | WAND ASSEMBLY, CURVED (1 |
| 2 | 638828 | 1 | "TOOL-SQUEEGEE 14"" (1 1/ nicht mehr lieferbar |
| 3 | 634118 | 1 | Saugschlauch 15X1 1/2 nicht mehr lieferbar |
| 4 | 7-03-00044 | 1 | Adapter - Übergang |

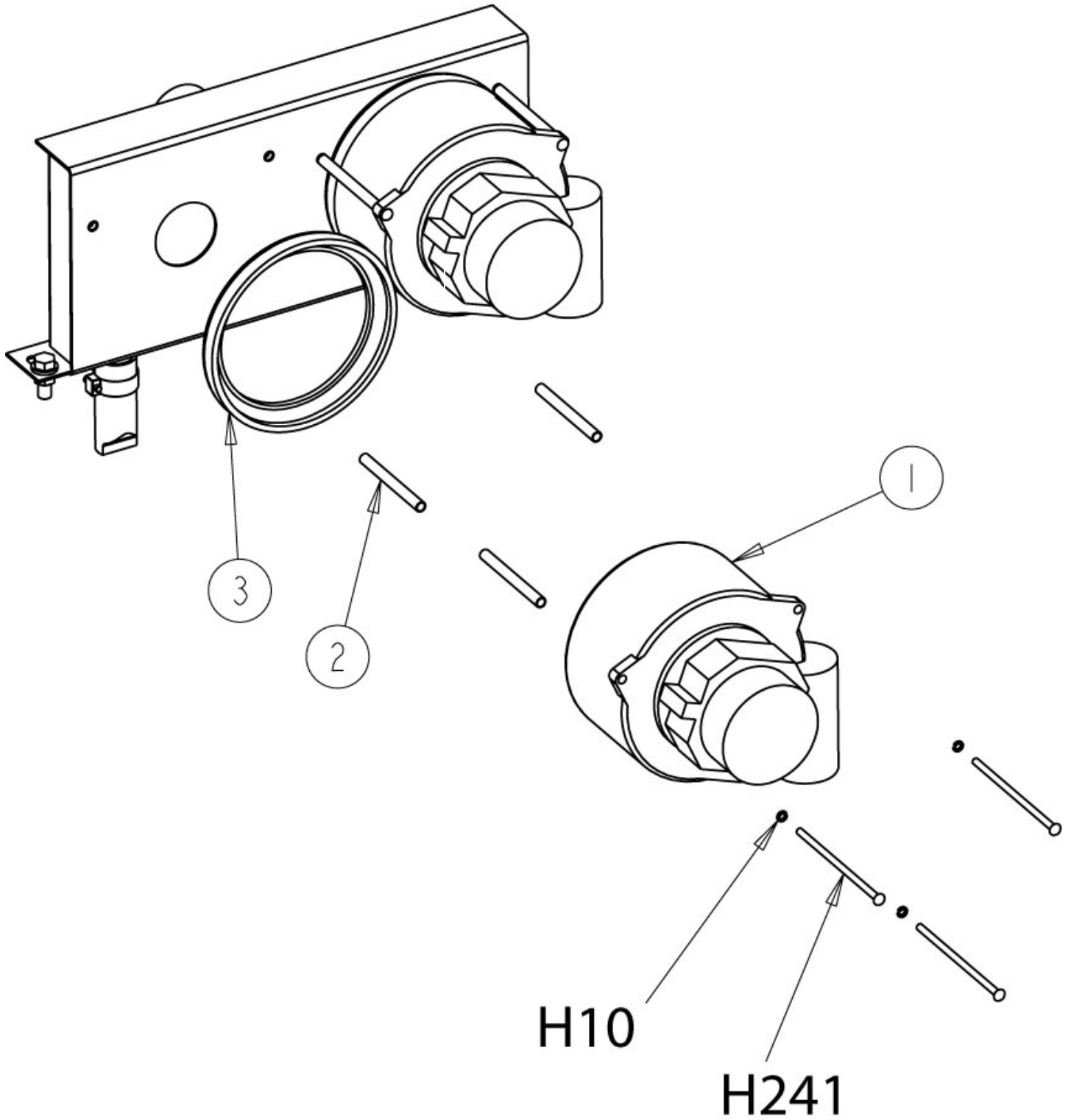
Dual Vacuum Motor Option No. 0780-427

ENCORE R from serial no. 180337

13-01-2013

ET-Liste-Nr.
ENCORER83

85



Dual Vacuum Motor Option No. 0780-427

ENCORE R from serial no. 180337

13-01-2013

ET-Liste-Nr.
ENCORER83

86

| Pos | Artikelnr. | Me | Beschreibung |
|-----|------------|----|--|
| 1 | 56109731 | 1 | Saugmotor 36V DC |
| 1 | 56377001 | 1 | Kohlebürstensatz (2) f. BA 700 NOT SHOWN |
| 2 | 7-75-01184 | 3 | Distanzstück |
| 3 | 2-22-00003 | 1 | Motorlager Saugerdichtung |
| 4 | 7-64-00032 | 1 | Leistungsschalter 50 A |
| 5 | 2-00-05065 | 2 | WIRE NUT |
| 6 | 2-00-01862 | 2 | RING TERMINAL INSULATED |
| H10 | 2-00-00519 | 3 | Sicherungsscheibe |
| H24 | 2-00-05395 | 3 | Halbrundkopf schraube 25 20x4.00 ZINK |

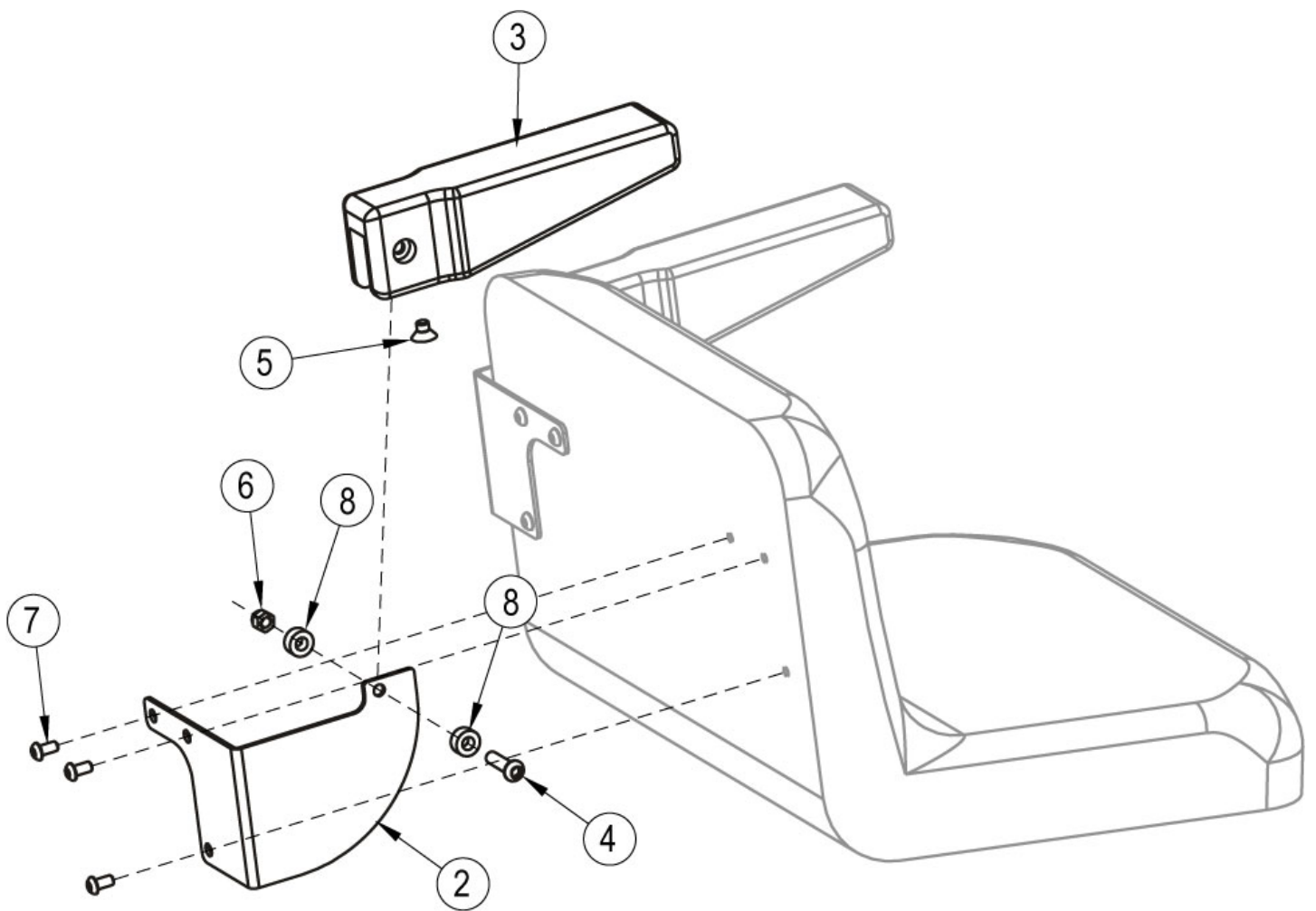
Arm Rest Option No. 7-69-00005

ENCORE R from serial no. 180337

13-01-2013

ET-Liste-Nr.
ENCORER85

87



Arm Rest Option No. 7-69-00005

ENCORE R from serial no. 180337

13-01-2013

ET-Liste-Nr.
ENCORER85

88

| Pos | Artikelnr. | Me | Beschreibung |
|-----|------------|----|--|
| 1 | | 1 | NOTE COMMENT Left Arm Bracket, Not shown |
| 2 | | 1 | NOTE COMMENT Right Arm Bracket |
| 3 | | 2 | NOTE COMMENT Molded Arm Rest |
| 4 | | 2 | NOTE COMMENT 3/8-16 x 1.50 Lg Bhscs |
| 5 | | 2 | NOTE COMMENT 3/8-16 x .50 Lg Fhscs |
| 6 | | 2 | NOTE COMMENT 3/8-16 Center Lock Acorn Nut |
| 7 | | 6 | NOTE COMMENT 5/16-18 x .63 Lg Bhscs |
| 8 | | 4 | NOTE COMMENT Nylon Spacer |

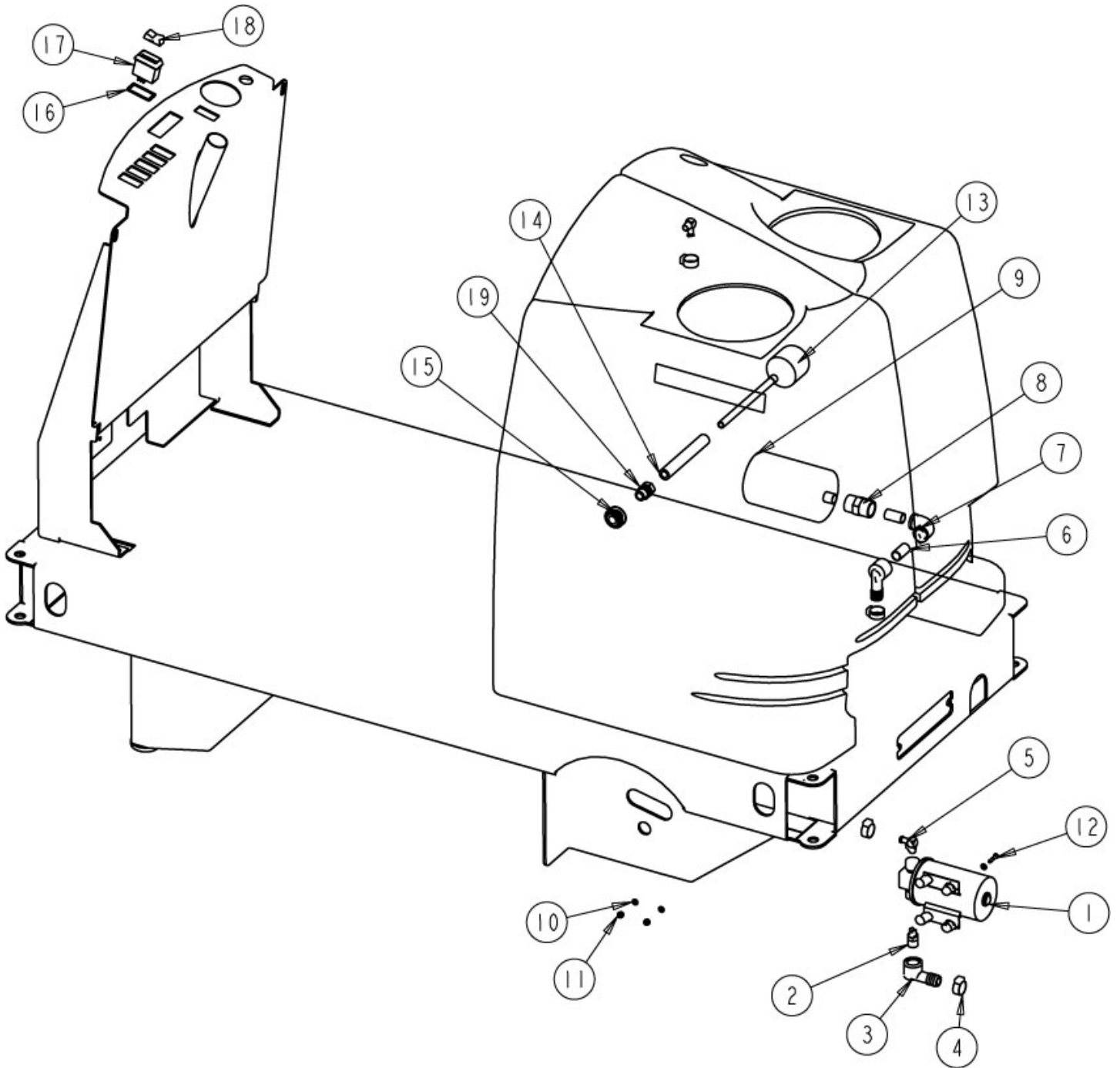
ESP Recovery Option No. 0780-556

ENCORE R from serial no. 180337

13-01-2013

ET-Liste-Nr.
ENCORER87

89



ESP Recovery Option No. 0780-556

ENCORE R from serial no. 180337

13-01-2013

ET-Liste-Nr.
ENCORER87

90

| Pos | Artikelnr. | Me | Beschreibung |
|-----|------------|----|--------------------------------|
| 1 | 7-60-05013 | 1 | PUMP RECYCLING |
| 2 | 7-25-02062 | 1 | FITTING REDUCER NIPPLE |
| 3 | 2-00-05132 | 2 | Innengewinde f. 75er Schlauch |
| 4 | 2-00-03407 | 4 | CLAMP WITTECK 10P |
| 5 | 7-25-02061 | 2 | FITTING ELBOW |
| 6 | 2-00-05131 | 2 | NIPPLE 3/4 NPT X 1 3/8 CL PLST |
| 7 | 2-00-05083 | 1 | ELBOW 90dgr PIPE .75 PLASTIC |
| 8 | 2-00-04736 | 1 | PIPE CONNECTOR |
| 9 | 7-24-04038 | 1 | Filter, Pumpeneinlass |
| 10 | 2-00-00426 | 8 | U-Scheibe |
| 11 | 2-00-01246 | 4 | Buchseneinsatz |
| 12 | 2-00-00039 | 4 | SCREW RHM 10 24 X 1.00 ZN |
| 13 | 0775-164 | 1 | Schwimmerschalter, modifiziert |
| 14 | 7-87-02191 | 1 | Schwimmerschalter |
| 15 | 7-09-01124 | 1 | Buchse, Durchführung Trennwand |
| 16 | 2-00-05869 | 1 | EATON SWITCH GASKET |
| 17 | 2-00-05827 | 1 | Schaltkörper für hohen Strom |
| 18 | 2-00-05838 | 1 | ESP SWITCH ACTUATOR |
| 19 | 7-09-01122 | 1 | Buchse, Schwimmer |

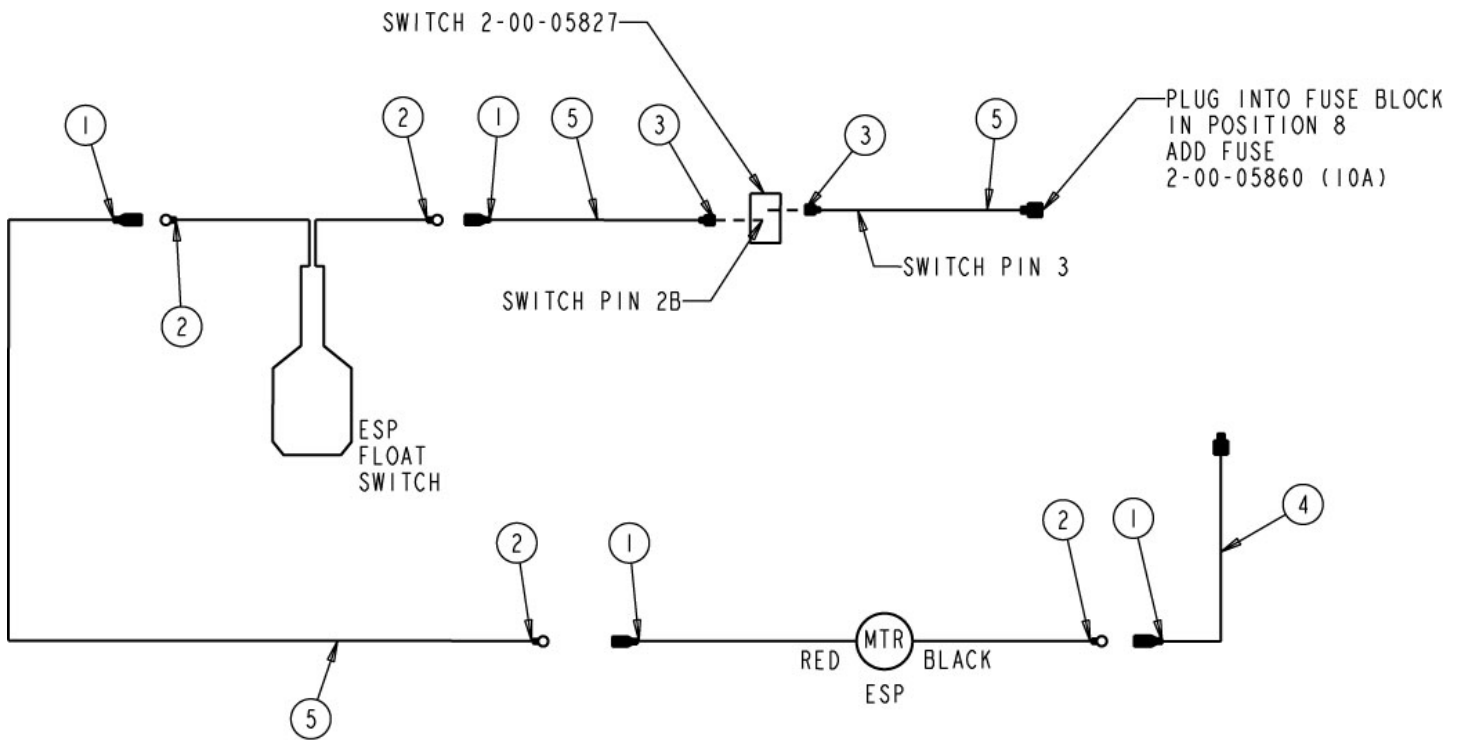
ESP Recovery Option Wiring

ENCORE R from serial no. 180337

13-01-2013

ET-Liste-Nr.
ENCORER89

91



ESP Recovery Option Wiring

ENCORE R from serial no. 180337

13-01-2013

ET-Liste-Nr.
ENCORER89

92

| Pos | Artikelnr. | Me | Beschreibung |
|-----|------------|----|-----------------------------------|
| 1 | 2-00-04626 | 4 | Anschlussklemme - Rund- steckdose |
| 2 | 2-00-04578 | 4 | Anschlussklemme - Rund- stecker |
| 3 | 2-00-03418 | 3 | Steckverbinder |
| 4 | 3-61-00189 | 1 | Leitung sw 16Ga AWG |
| 5 | 3-61-00193 | 1 | 16 GA STRANDED RED INSUL WIRE |

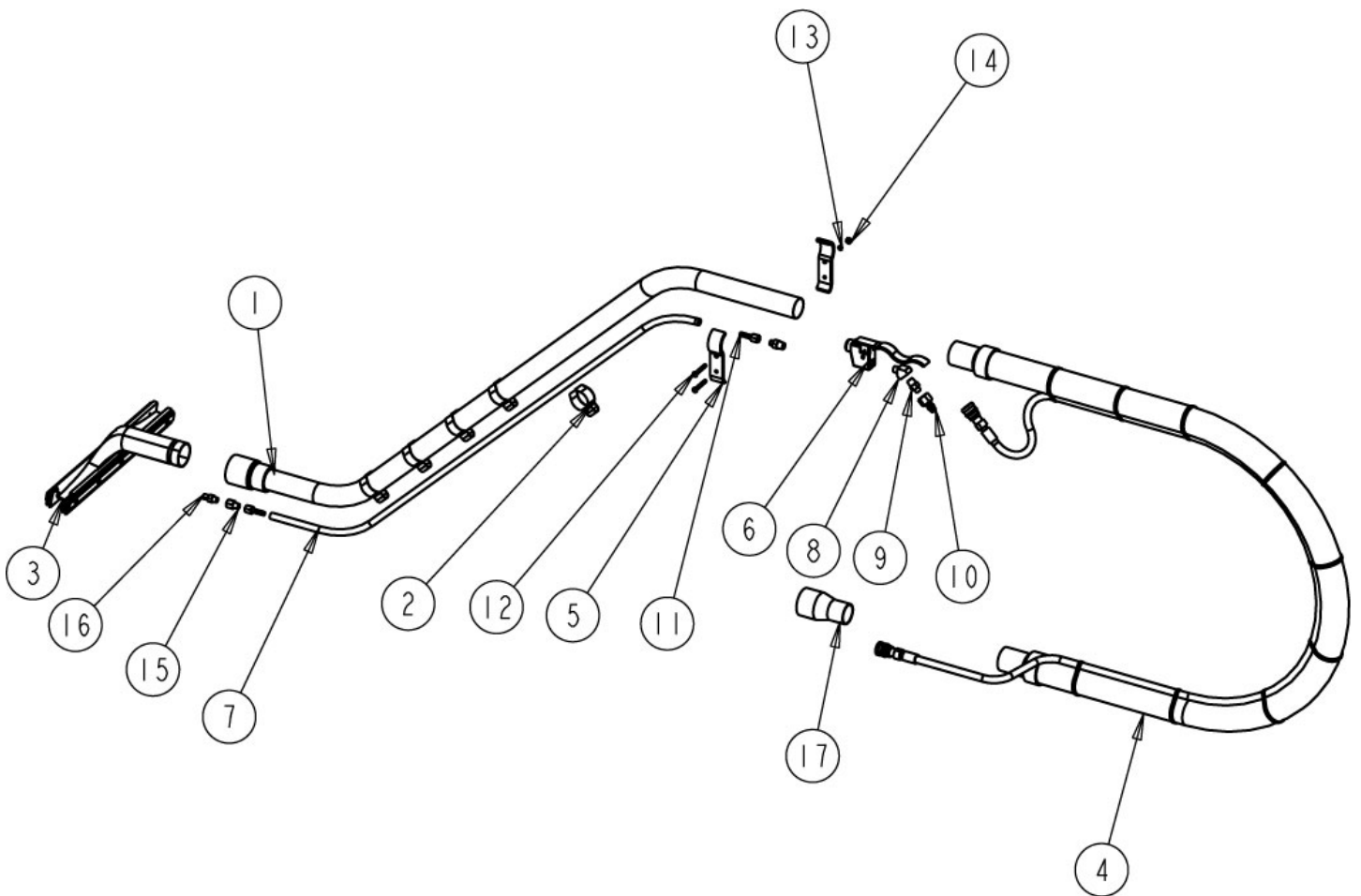
Spray wand Option No. 0780-558

ENCORE R from serial no. 180337

13-01-2013

ET-Liste-Nr.
ENCORER91

93



Spray wand Option No. 0780-558

ENCORE R from serial no. 180337

13-01-2013

ET-Liste-Nr.
ENCORER91

94

| Pos | Artikelnr. | Me | Beschreibung |
|-----|------------|----|--|
| 1 | 639804 | 1 | WAND ASSEMBLY, CURVED (1 |
| 2 | 7-13-07140 | 5 | CLAMP HOSE |
| 3 | 638828 | 1 | "TOOL-SQUEEGEE 14"" (1 1/ nicht mehr lieferbar |
| 4 | 59232A | 1 | Sprueh-Saugschlauch 3m "EXT31 |
| 5 | 7-13-07139 | 2 | CLAMP VALVE |
| 6 | 7-88-00058 | 1 | Ventil - Frischwasser .25NPT |
| 7 | 7-33-02306 | 1 | Schlauch |
| 8 | 8-56-05026 | 1 | 45DEG STREET EL .25NPT BRASS |
| 9 | 2-00-05206 | 2 | Reduzierung |
| 10 | 56220055 | 1 | Stecker |
| 11 | 2-00-05207 | 2 | Adapter |
| 12 | 2-00-00089 | 2 | SCREW RHM 10 24 X 1.50 ZN PL |
| 13 | 2-00-04686 | 2 | LK WASH HELICAL 10SCR MED SST |
| 14 | 2-00-00605 | 2 | Mutter 6kt- 10-24x.375x. |
| 15 | 2-00-05208 | 1 | Adapter |
| 16 | 7-50-01002 | 1 | Düse |
| 17 | 7-03-00044 | 1 | Adapter - Übergang |

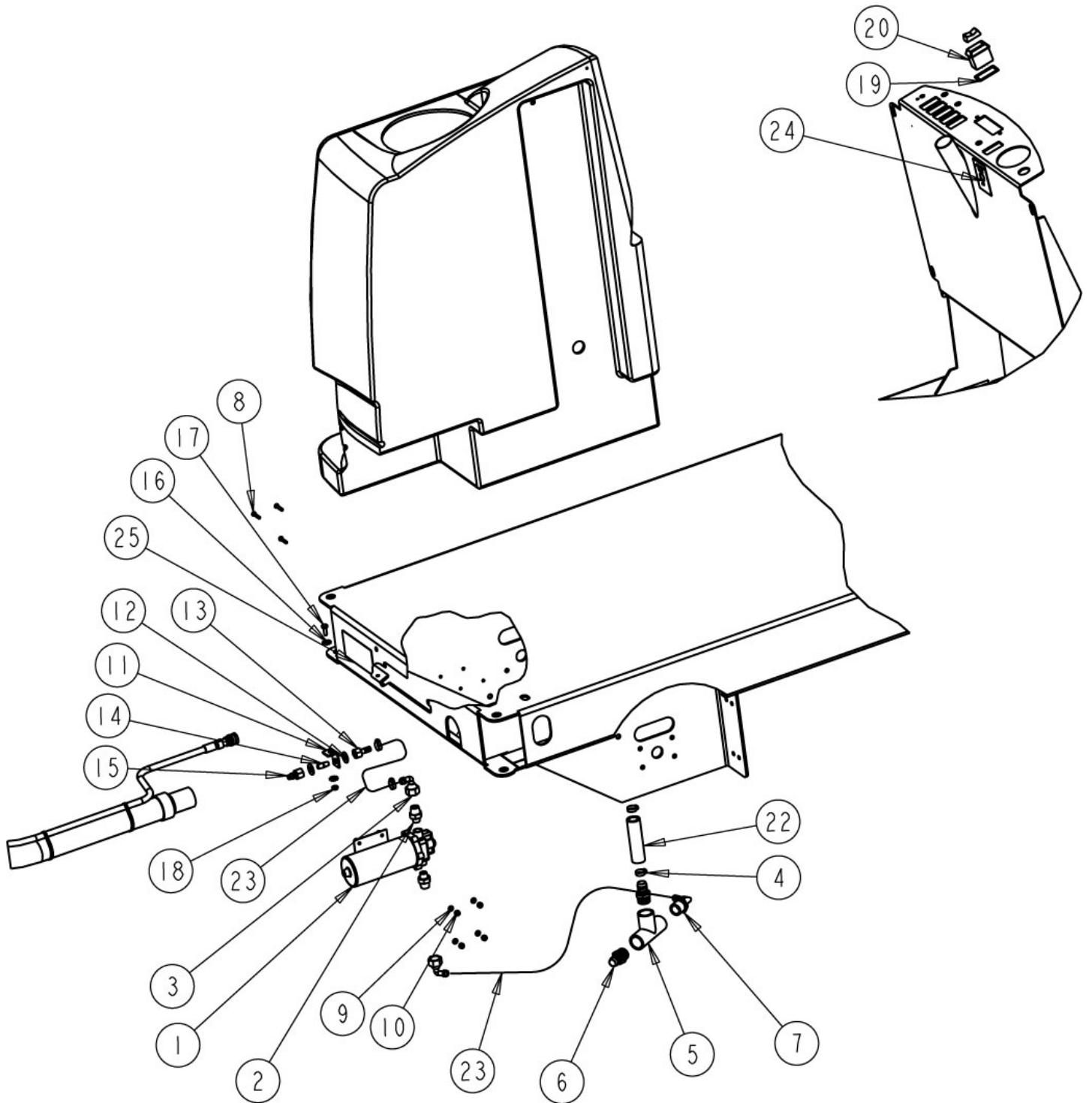
Spray wand Option Control

ENCORE R from serial no. 180337

13-01-2013

ET-Liste-Nr.
ENCORER93

95



Spray wand Option Control

ENCORE R from serial no. 180337

13-01-2013

ET-Liste-Nr.
ENCORER93

96

| Pos | Artikelnr. | Me | Beschreibung |
|-----|------------|----|--|
| 1 | 7-60-05017 | 1 | PUMP WATER 36VDC |
| 2 | 7-03-00047 | 2 | Kunststoff-Adapter .38-.50NPT M |
| 3 | 7-25-02073 | 2 | Fitting 90 G. 50NPTx.38 |
| 4 | 2-95-04388 | 4 | CLAMP HOSE FEEDWATER IDEAL6203 |
| 5 | 7-25-02037 | 1 | FITTING |
| 6 | 7-25-02012 | 2 | Schlauchfitting |
| 7 | 2-00-04655 | 1 | FITTING |
| 8 | 2-00-00039 | 4 | SCREW RHM 10 24 X 1.00 ZN |
| 9 | 2-00-00460 | 4 | WSHR FLAT .438X.192X.031 STL. |
| 10 | 2-00-01246 | 4 | Buchseneinsatz |
| 11 | 7-08-00769 | 1 | BRACKET HOSE CONNECTION//SE |
| 12 | 2-00-00415 | 2 | WSHR FLAT.938X.469X.063 STL ZN |
| 13 | 50300A | 1 | Adapter - 1/8P auf 3/8 Schlauch |
| 14 | 2-00-03875 | 1 | BRASS .13 CLOSE NIPPLE FT nicht mehr lieferbar |
| 15 | 56220055 | 1 | Stecker |
| 16 | 2-00-00503 | 2 | LK WASH INT/EXT TOOTH ZN |
| 17 | 2-00-00221 | 1 | Sechskantschraube .25 20 X .75 GR 8 ZN |
| 18 | 2-00-00594 | 1 | Mutter 6kt- 1/4-20 |
| 19 | 2-00-05869 | 1 | EATON SWITCH GASKET |
| 20 | 2-00-05827 | 1 | Schaltkörper für hohen Strom |
| 21 | 2-00-05839 | 1 | SPRAY PUMP SWITCH ACTUATOR |
| 22 | 3-71-03025 | 1 | 1/2 OD X.375 ID COBON TUBING |
| 23 | 3-71-00081 | 1 | .375IDX.61 OD FIBER BRAID HOSE |
| 24 | 7-18-00217 | 1 | DECAL POWER WAND |
| 25 | 7-18-00121 | 1 | DECAL WARNING |

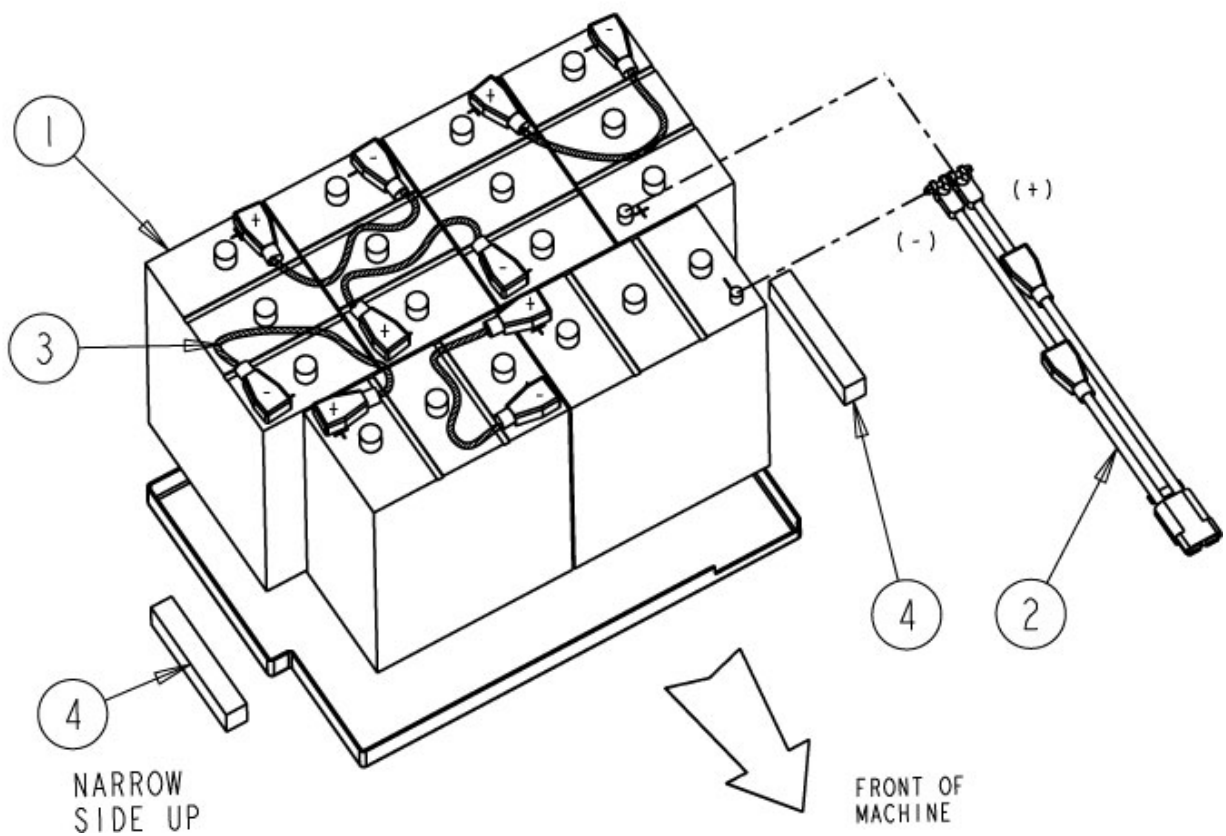
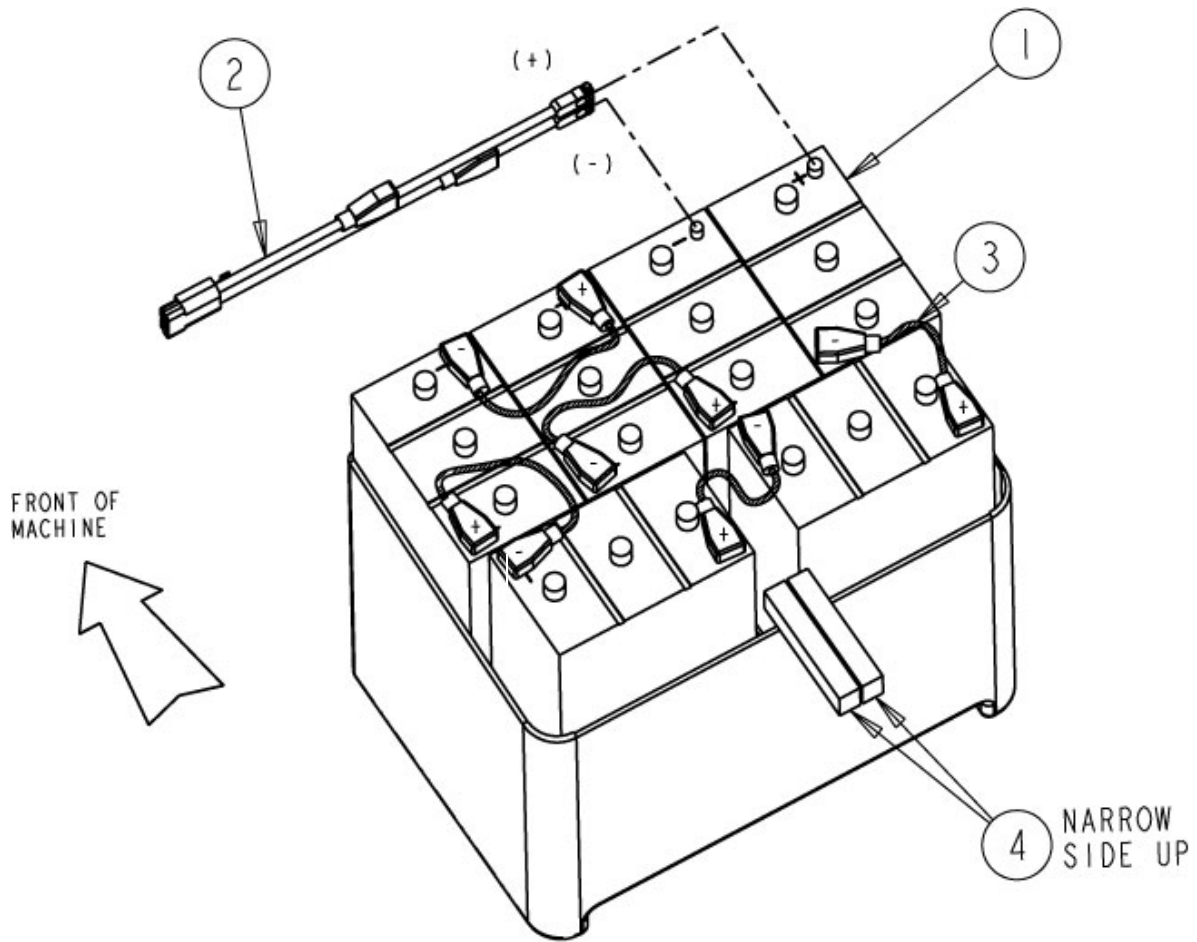
370AH Battery Option

ENCORE R from serial no. 180337

13-01-2013

ET-Liste-Nr.
ENCORER95

97



370AH Battery Option

ENCORE R from serial no. 180337

13-01-2013

ET-Liste-Nr.
ENCORER95

98

| Pos | Artikelnr. | Me | Beschreibung | |
|-----|------------|----|---|----------------------|
| 1 | 0875-072-2 | 6 | BATTERY 6V DRY 370 AMP HR | Dry- Option 0780-204 |
| 2 | 0875-102 | 1 | Ladestecker maschinen- seitig | |
| 3 | 7-90-07286 | 5 | Batterieverbindungskabel | Standard Feature |
| 4 | 8-75-01206 | 2 | Distanzstück - Batterie Option 0780-205&206 | 6 Volt |

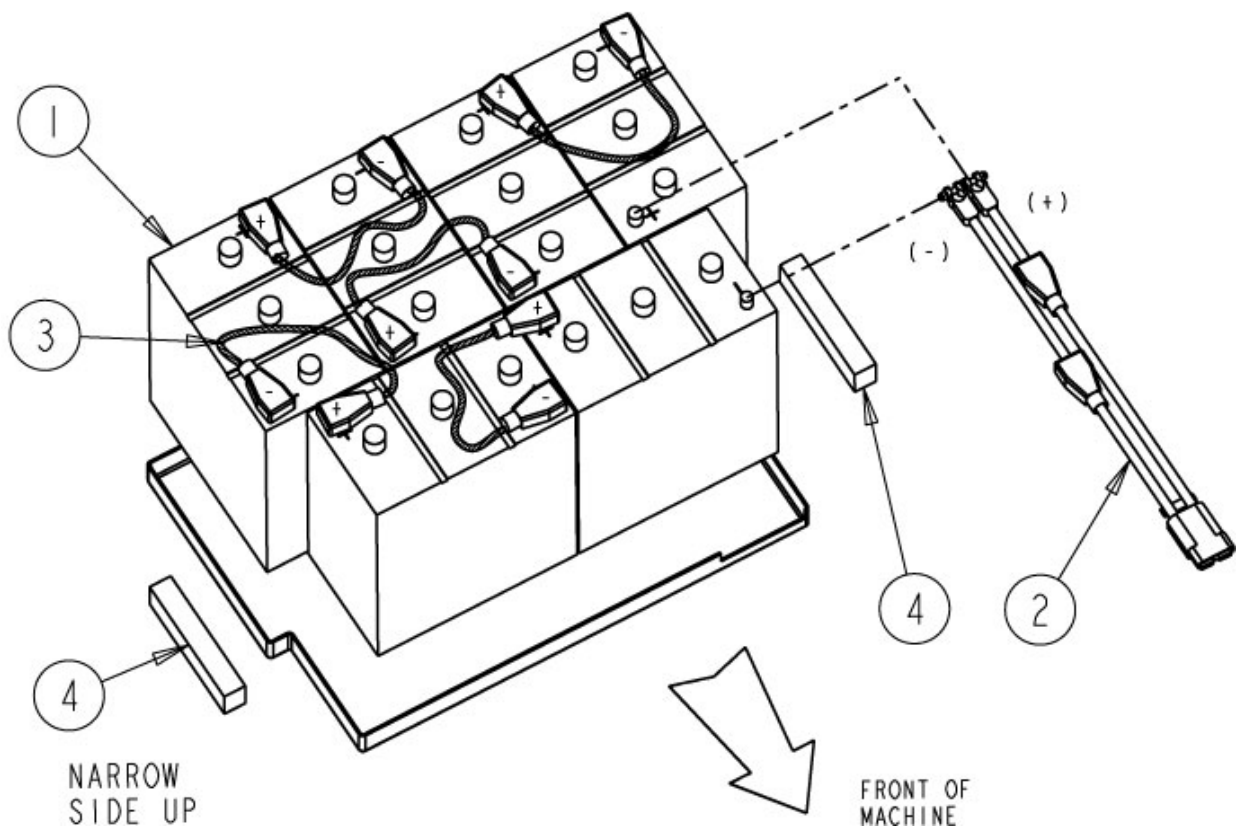
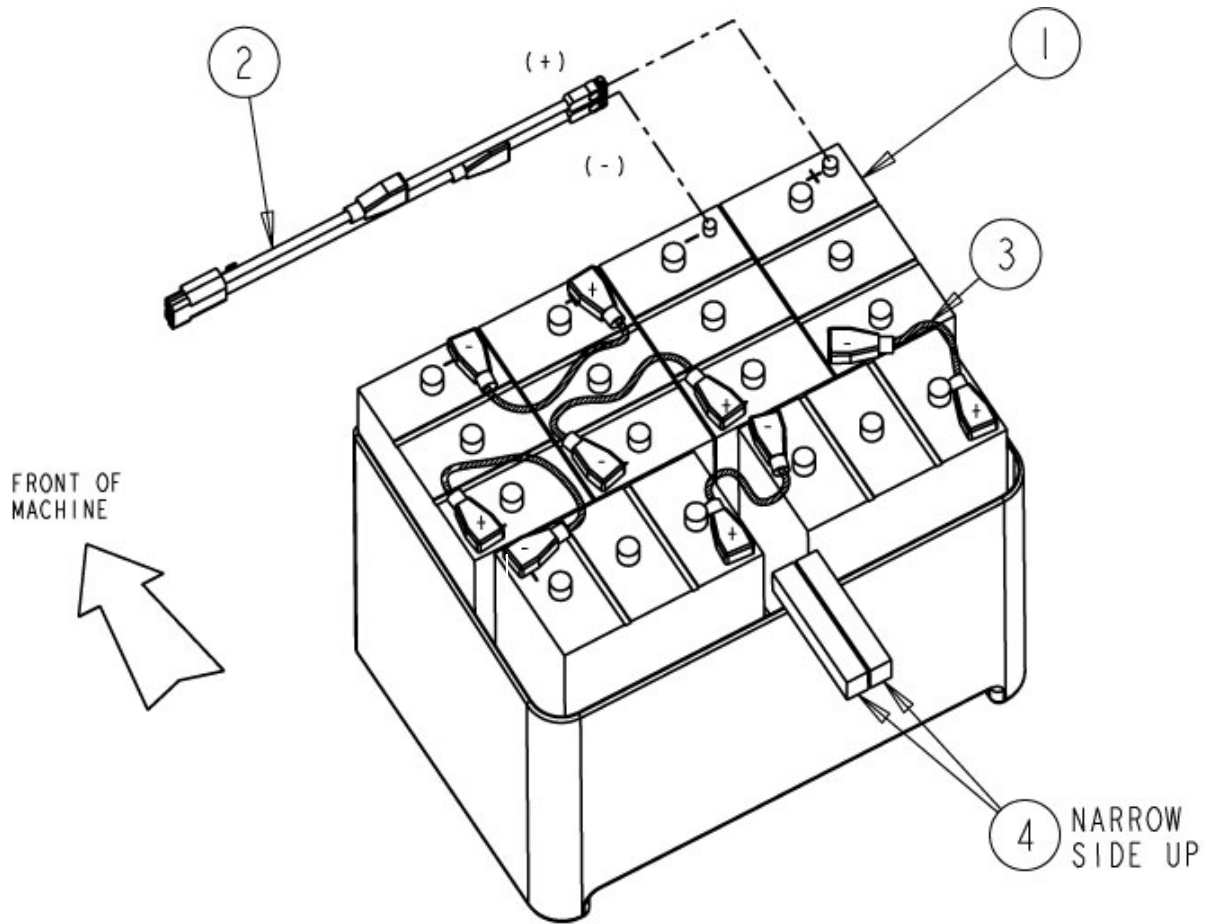
330AH Battery Option

ENCORE R from serial no. 180337

13-01-2013

ET-Liste-Nr.
ENCORER97

99



330AH Battery Option

ENCORE R from serial no. 180337

13-01-2013

ET-Liste-Nr.
ENCORER97

100

| Pos | Artikelnr. | Me | Beschreibung | |
|-----|------------|----|---|---------------------------|
| 1 | 0875-103 | 6 | BATTERY 6 VOLT 330 AH | Wet - Option No. 0780-205 |
| 1 | 0875-104 | 6 | BATTERY 6VOLT 330A.H.DRY | Dry - Option No. 0780-206 |
| 2 | 0875-102 | 1 | Ladestecker maschinen- seitig | |
| 3 | 7-90-07286 | 5 | Batterieverbindungskabel | Standard Feature |
| 4 | 8-75-01206 | 2 | Distanzstück - Batterie Option 0780-205&206 | 6 Volt |

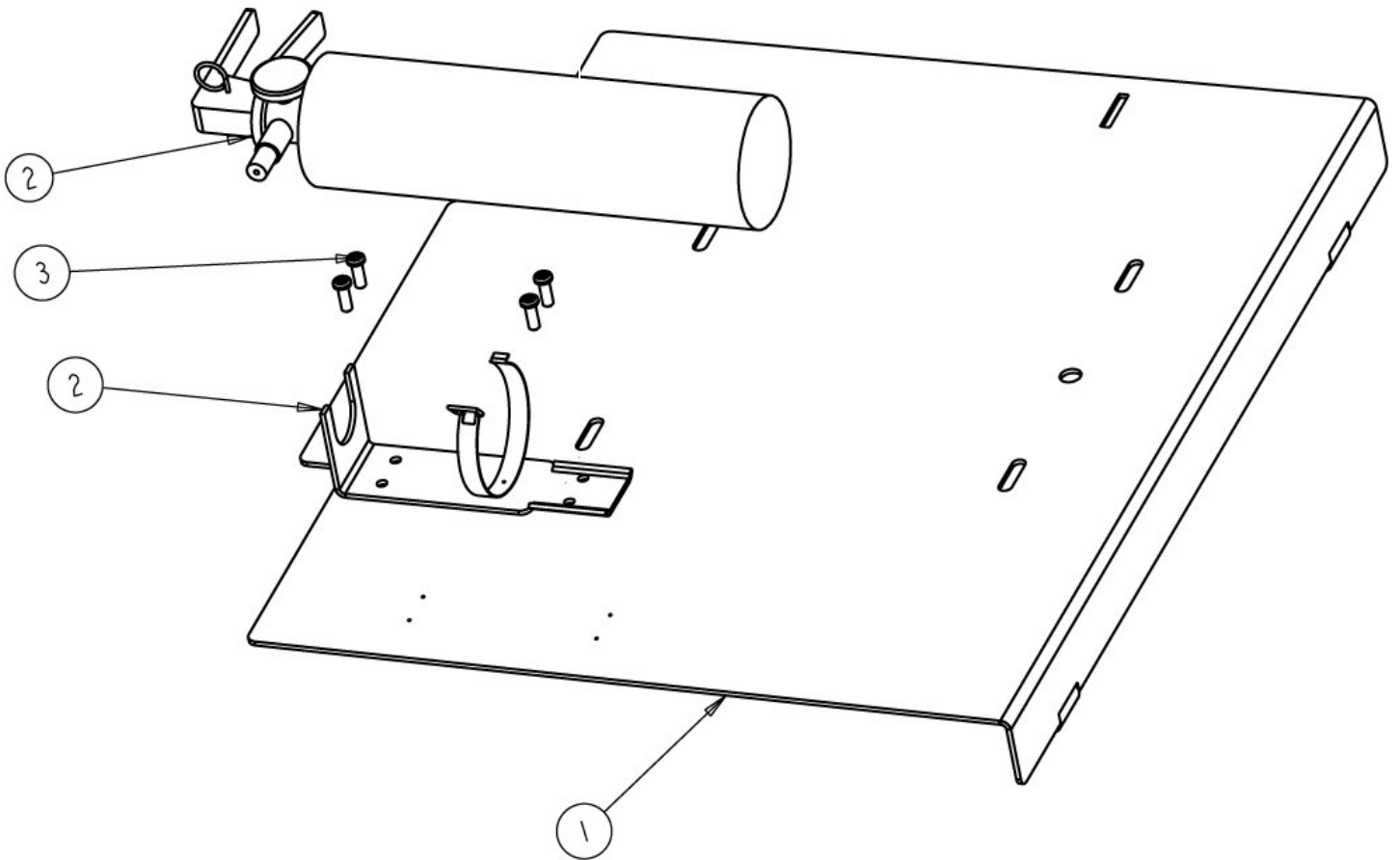
Fire Extinguisher Option No. 0780-462

ENCORE R from serial no. 180337

13-01-2013

ET-Liste-Nr.
ENCORER99

101



Fire Extinguisher Option No. 0780-462

ENCORE R from serial no. 180337

13-01-2013

ET-Liste-Nr.
ENCORER99

102

| Pos | Artikelnr. | Me | Beschreibung |
|-----|------------|----|----------------------------|
| 1 | 7-16-07406 | 1 | Auf lageplatte, geschweißt |
| 2 | 8-83-04033 | 1 | Feuerlöscher m. Halter |
| 3 | 2-95-01998 | 4 | SCREW T/FRH 14 10X.75 |

BRUSHES AND PAD DRIVERS

ENCORE R from serial no. 180337

13-01-2013

ET-Liste-Nr.
ENCORER101

103

34" BRUSHES AND PAD DRIVERS PAD ASSEMBLY 17" (17520C)

| Ref. No. | Qty | Description |
|----------|-----|--|
| Ref | 1 | Pad Driver, Model Face 17" Od |
| 833802 | 1 | Gimbal, Brush |
| 838301 | 1 | Spring, Brush Holder |
| 962495 | 6 | Screw, 1/4 - 20 X 1 |
| 56941A | 1 | Center- Lok 3 |
| Ref | 3 | Screw, #8 X 5/8 Pan Hd Phillips, Sheet Metal |

BRUSH ASSEMBLY GRIT 17" (11425B)

| Ref. No. | Qty | Description |
|----------|-----|----------------------|
| Ref | 1 | Brush, Grit 17" Od |
| 833802 | 1 | Gimbal, Brush |
| 838301 | 1 | Spring, Brush Holder |
| 962495 | 6 | Screw, 1/4 - 20 X 1 |

BRUSH ASSEMBLY POLY 17" (11424B)

| Ref. No. | Qty | Description |
|----------|-----|-----------------------------|
| Ref | 1 | Brush, Polypropylene 17" Od |
| 833802 | 1 | Gimbal, Brush |
| 838301 | 1 | Spring, Brush Holder |
| 962495 | 6 | Screw, 1/4 - 20 X 1 |

38" BRUSHES AND PAD DRIVERS PAD ASSEMBLY 19" (17524B)

| Ref. No. | Qty | Description |
|----------|-----|--|
| Ref | 1 | Pad Driver, Model Face 19" Od |
| 833802 | 1 | Gimbal, Brush |
| 838301 | 1 | Spring, Brush Holder |
| 962495 | 6 | Screw, 1/4 - 20 X 1 |
| 56949A | 1 | Center- Lok 3 |
| Ref | 3 | Screw, #8 X 5/8 Pan Hd Phillips, Sheet Metal |

BRUSH ASSEMBLY GRIT 19" (11425B)

| Ref. No. | Qty | Description |
|----------|-----|----------------------|
| Ref | 1 | Brush, Grit 19" Od |
| 833802 | 1 | Gimbal, Brush |
| 838301 | 1 | Spring, Brush Holder |
| 962495 | 6 | Screw, 1/4 - 20 X 1 |

BRUSH ASSEMBLY POLY 19" (11424B)

| Ref. No. | Qty | Description |
|----------|-----|-----------------------------|
| Ref | 1 | Brush, Polypropylene 19" Od |
| 833802 | 1 | Gimbal, Brush |
| 838301 | 1 | Spring, Brush Holder |
| 962495 | 6 | Screw, 1/4 - 20 X 1 |

PART NOS. FOR MOTOR BRUSH REPLACEMENT

| <u>Motor No.</u> | <u>Brush No.</u> |
|-----------------------------------|------------------|
| 56377470 (Ametek vac motor) | 56377001 |
| 0782-144 (Scott brush motor) | 0780-582 |
| 0782-110 (Presweep motor) | 0775-215 |
| 0785-091 (AMER drive wheel motor) | 56412325 |

Fuse Part Nos.

2-00-05861 (2 amp)
2-00-05860 (10 amp)
8-28-05019 (70 amp)

BRUSHES AND PAD DRIVERS

ENCORE R from serial no. 180337

13-01-2013

ET-Liste-Nr.
ENCORER101

104

| Pos | Artikelnr. | Me | Beschreibung |
|-----|------------|----|--------------------------------|
| 1 | 833802 | 1 | Aufhängung-Bürste |
| 2 | 838301 | 1 | Feder Bürstenhalter |
| 3 | 962495 | 1 | Flachkopfschraube 1/4-20 X 1 |
| 4 | 56941A | 1 | Padarretierung |
| 20 | 56109731 | 1 | Saugmotor 36V DC |
| 21 | 56413628 | 1 | Kohlebürsten-Kit |
| 22 | 0775-215 | 1 | Bürste, kpl., für 0782-110 |
| 23 | 56412325 | 1 | Kohlebürsten-Kit f. BR700 |
| 30 | 2-00-05861 | 1 | Sicherung, Bussman ABC-2 Glas |
| 31 | 2-00-05860 | 1 | Sicherung, Bussman ABC-10 Glas |
| 32 | 8-28-05019 | 1 | Sicherung 70 A |