



Parts List

FANG 24T-EU

FANG 26T-EU

FANG 28T-EU



english	Parts list.....	1-20
deutsch	Betriebsanleitung	XXX
français	Notice d'utilisation	XXX
nederlands	Gebruiksaanwijzing	XXX
italiano	Istruzioni sull'uso	XXX
español	Instrucciones de manejo.....	XXX
português	Instruções de operação	XXX

Company information:
www.vipercleaning.eu
info-eu@vipercleaning.com



DESCRIPTION**PLAN**

Parts List

3 - 19

Wear and Tear Parts

20

WHEN ORDERING PARTS

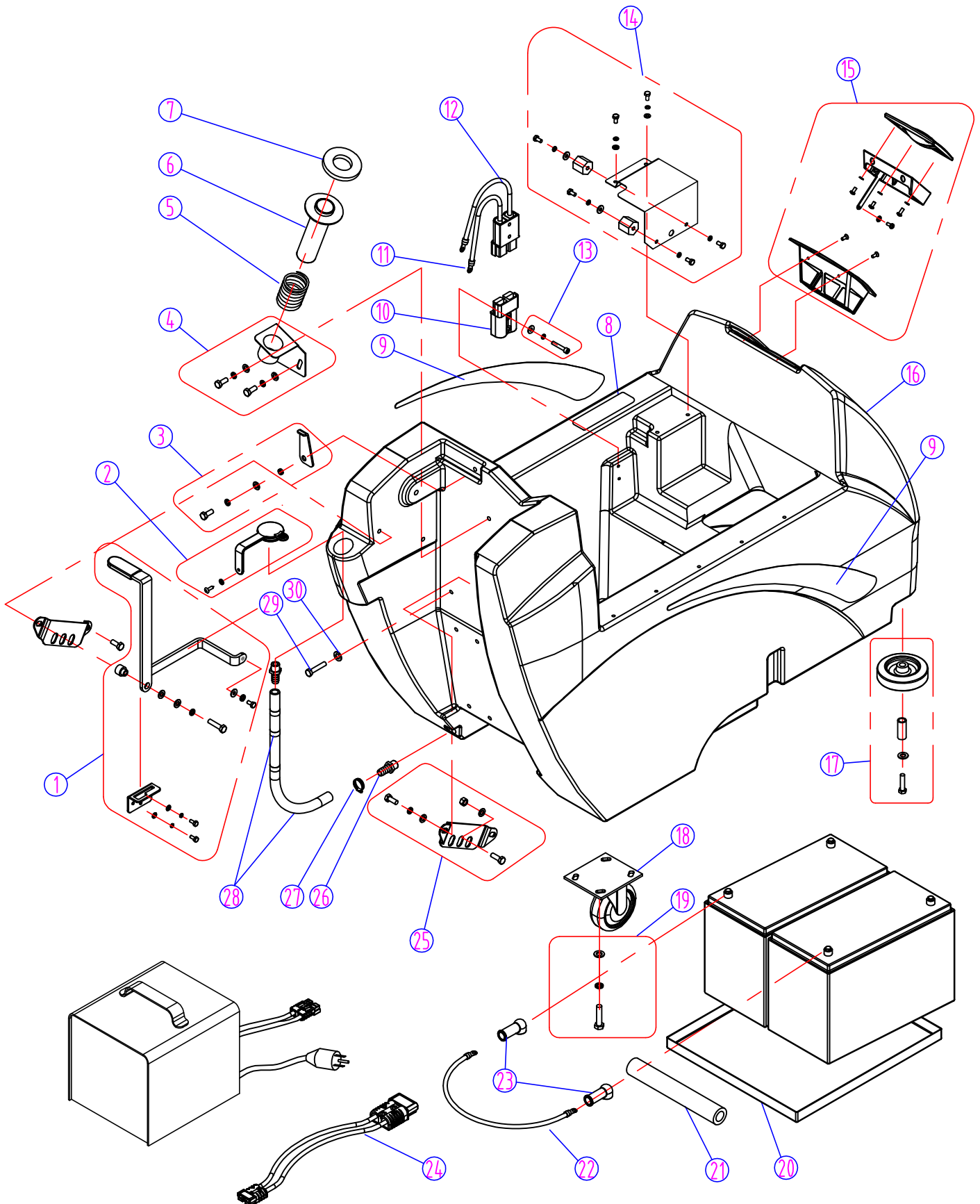
- * Use the 7,8 or 9 digit part numbers from the "part number" columns in this parts list.
- * Specify the model and serial number of the machine.
- * Use the space below to record the model and the serial Number for future reference.

Model_____

Serial No._____

PARTS LIST

FANG 24T, FANG 26T & FANG 28T - SOLUTION TANK ASSEMBLY



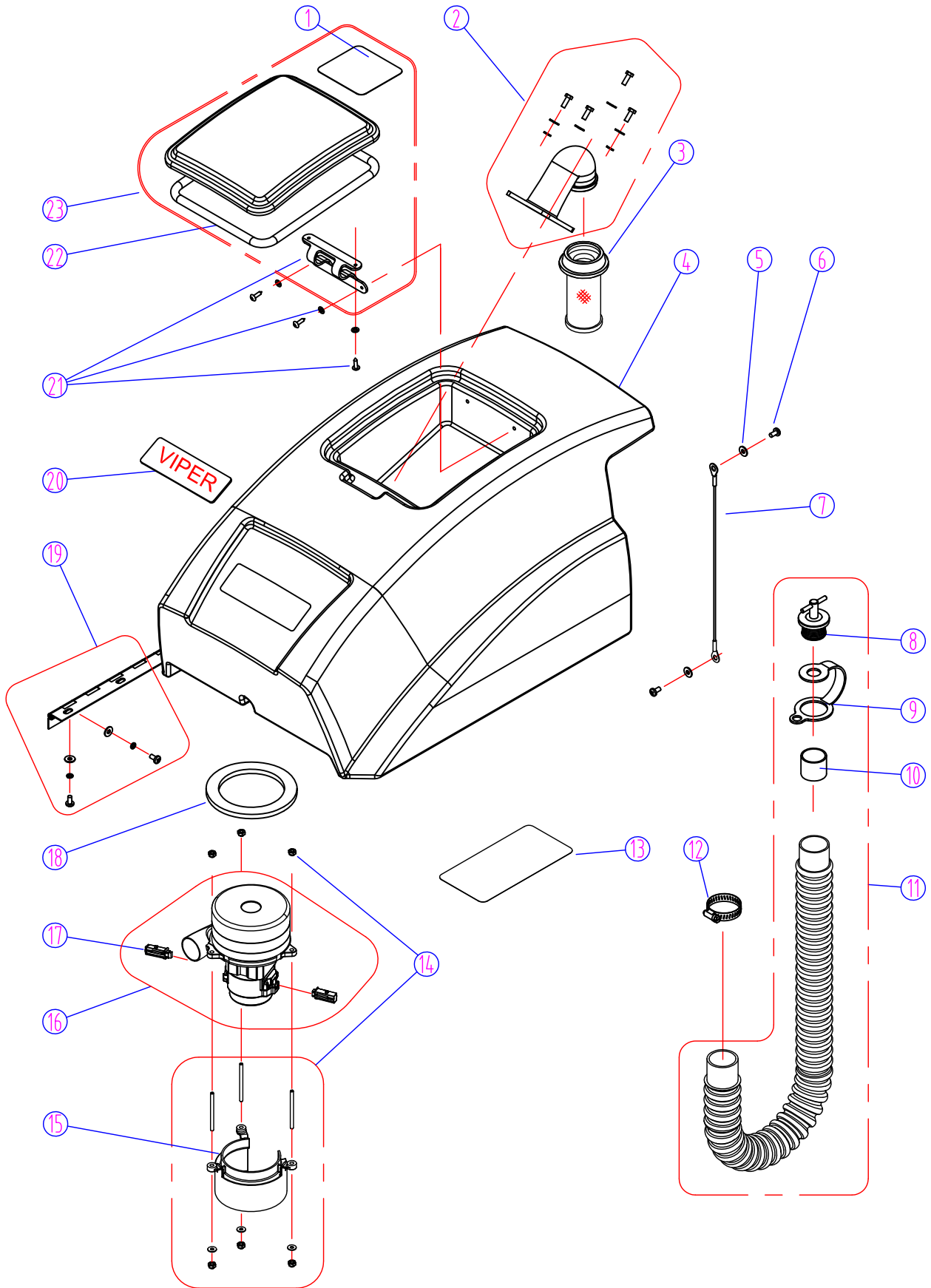
NOTES: 1. Needed batteries, 2 x 12 V, Dimension compartment (L*W*H) 410*362*390 mm
2. Needed charger, 24V 15A-20A

FANG24T, FANG26T & FANG28T - SOLUTION TANK ASSEMBLY

DIA NO	PART NUMBER	DESCRIPTION	NO REQ'D
1	VF83124A	SQUEEGEE LIFT HANDLE KIT	1
2	VF82154A	REAR FILL PLUG KIT	1
3	VF81404A	SUPPORT KIT RECOVERY TANK	1
4	VF82029B	VAC TUBE BRACKET KIT	1
5	VF82032	SPRING	1
6	VF82030	ADAPTER TUBE	1
7	VF82031A	TUBE ADAPTER GASKET	1
8	VF82123	DECAL	1
9	VF82070A	LEFT & RIGHT LABEL KIT	1
10	VF81306	CONNECTOR 175A	2
11	VF81747	WIRE 6 AWG X 750MM	1
12	VF81748	WIRE 6 AWG X 750 MM	1
13	VF13633E	CONNECTOR MOUNTING KIT	1
14	VF82067A	SOLENOID BRACKET KIT	1
15	VF82081A	FILL SCREEN PLUG KIT	1
16	VF83101	SOLUTION TANK	1
17	VF99001A	4 INCH WHEEL KIT	2
18	VF83111	4 INCH CASTER	2
19	VF13634A	SCREW KIT	2
20	VF83140	TRAY BATTERY	1
21	VF82072	SPACER BATTERY	1
22	VF82403	CABLE BATTERY	1
23	VF81724	BLACK CAPS BATTERY	2
	VF81724R	RED CAPS BATTERY	2
24	VF81307	TRANSITION CABLE CHARGE	1
25	VA81408A	LOCK PLATE KIT	2
26	VF81416	HOSE BARB	2
27	VF82090	CLAMP 16MM-25MM	1
28	VF81123	TUBING KIT WITH LABEL	1
29	VF14248	SCREW M8X100	1
30	VA13516	WASHER PLAIN M10XM30X1.5	1

PARTS LIST

FANG 24T, FANG 26T & FANG 28T - RECOVERY TANK ASSEMBLY

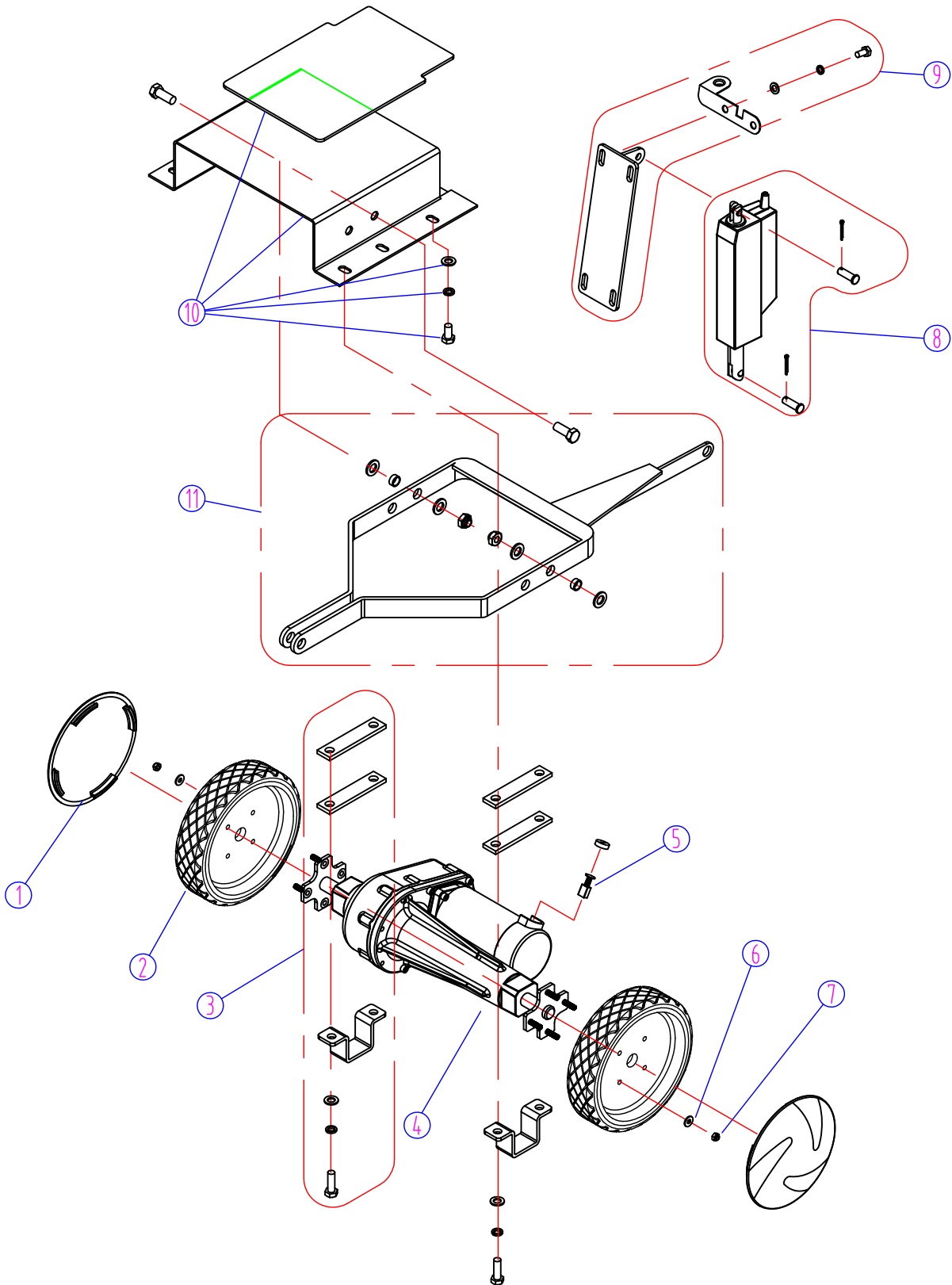


FANG24T, FANG26T & FANG28T - RECOVERY TANK ASSEMBLY

DIA NO	PART NUMBER	DESCRIPTION	NO REQ'D
1	VF82083	BATTERY WARNING DECAL	1
2	VF82009A	ELBOW ADAPTOR KIT FLOAT	1
3	VF81504	FLOAT	1
4	VF83102	RECOVERY TANK	1
5	VF13528	WASHER TOOTH LOCK M6	2
6	VF13495	SCREW M6 X 16	2
7	VF82028	CABLE	1
8	VF81509	PLUG EXPANSION	1
9	VF81510-9	STRAP DRAINHOSE	1
10	VF81510-2	SLEEVE DRAINHOSE	1
11	VF81510A	DRAIN HOSE ASSEMBLY	1
12	VF83154	DECAL, BATTERY INSTALLATION	1
13	VW10113	2 INCH CLAMP	1
14	VF81135A	VACUUM MOTOR COVER & STUD KIT	1
15	VF81135	VACUUM MOTOR COVER	1
16	ZD54000	VACUUM MOTOR 3 STAGE 24VDC	1
17	ZD53501A	CARBON BRUSH	2
18	VF81503	SEAT	1
19	VF82011A	RECOVERY TANK HINGE KIT	1
20	VF82082	LOGO	1
21	VF82010E	RUBBER HINGE KIT	1
22	VF82010B	GASKET	1
23	VF82010-X	LID KIT	1

PARTS LIST

FANG 24T, FANG 26T & FANG 28T - BRUSH LIFT / DRIVE ASSEMBLY

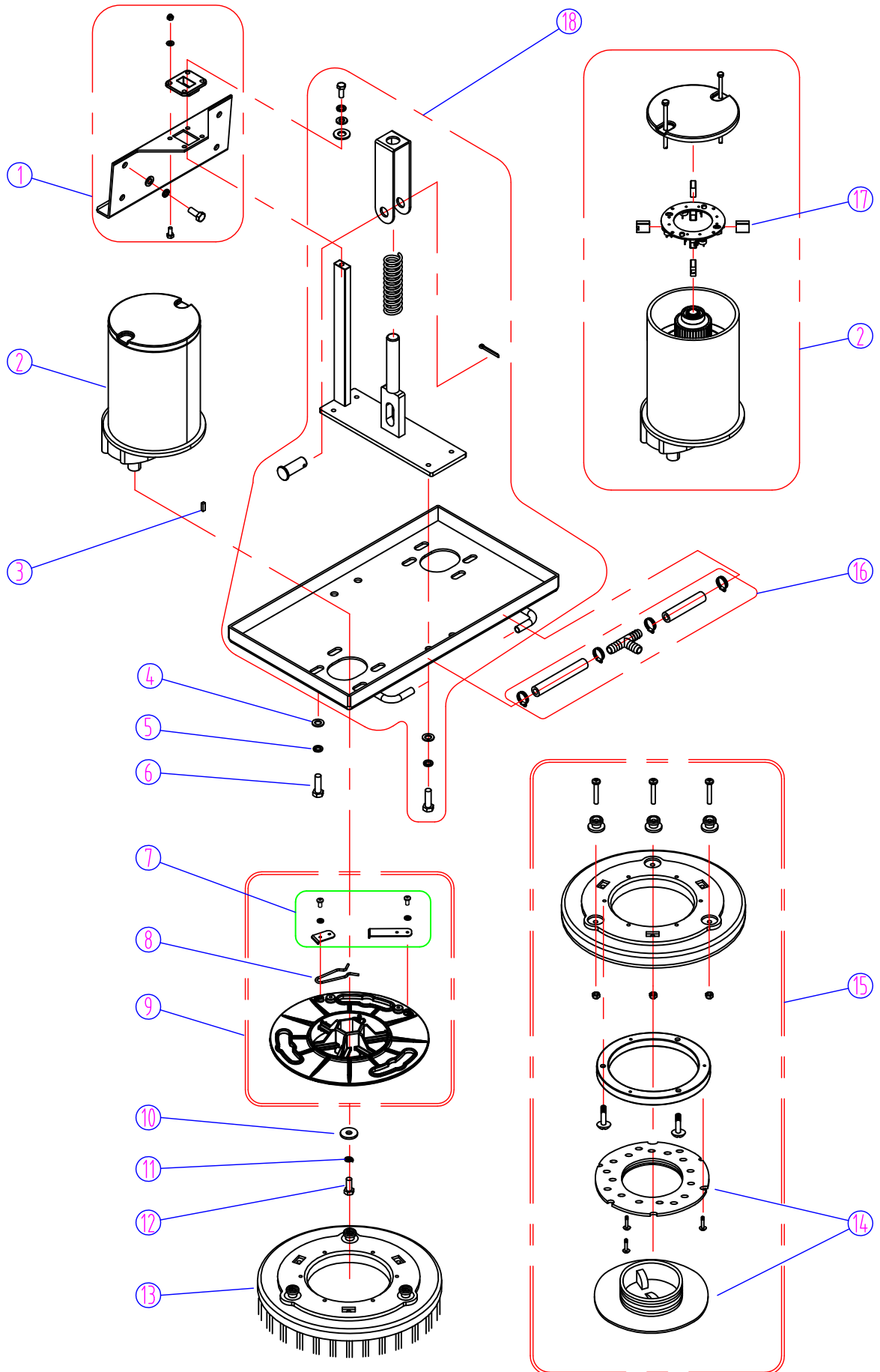


FANG24T, FANG26T & FANG28T - BRUSH LIFT / DRIVE ASSEMBLY

DIA NO	PART NUMBER	DESCRIPTION	NO REQ'D
1	VF82080	HUB CAP	2
2	VF81106	8 INCH WHEEL	2
3	VF81102A	BRACKET KIT TRANSAXLE MOUNT	2
4	VF81600	TRANSAXLE 24VDC 250W	1
5	ZD46315	CARBON BRUSH FOR TRANSAXLE MOTOR	2
6	VF13533	WASHER PLAIN M6X M16X2	8
7	VF13502	NUT LOCK M6	8
8	VF81301A	ACTUATOR KIT INCLUDING PIN	1
9	VF83135A	ACTUATOR KIT BRACKET	1
10	VF81101E	FRAME KIT	1
11	VF83136A	BRACKET KIT LIFT DUAL MOTOR	1

PARTS LIST

FANG 24T, FANG 26T & FANG 28T - BRUSH / PAD DRIVE ASSEMBLY

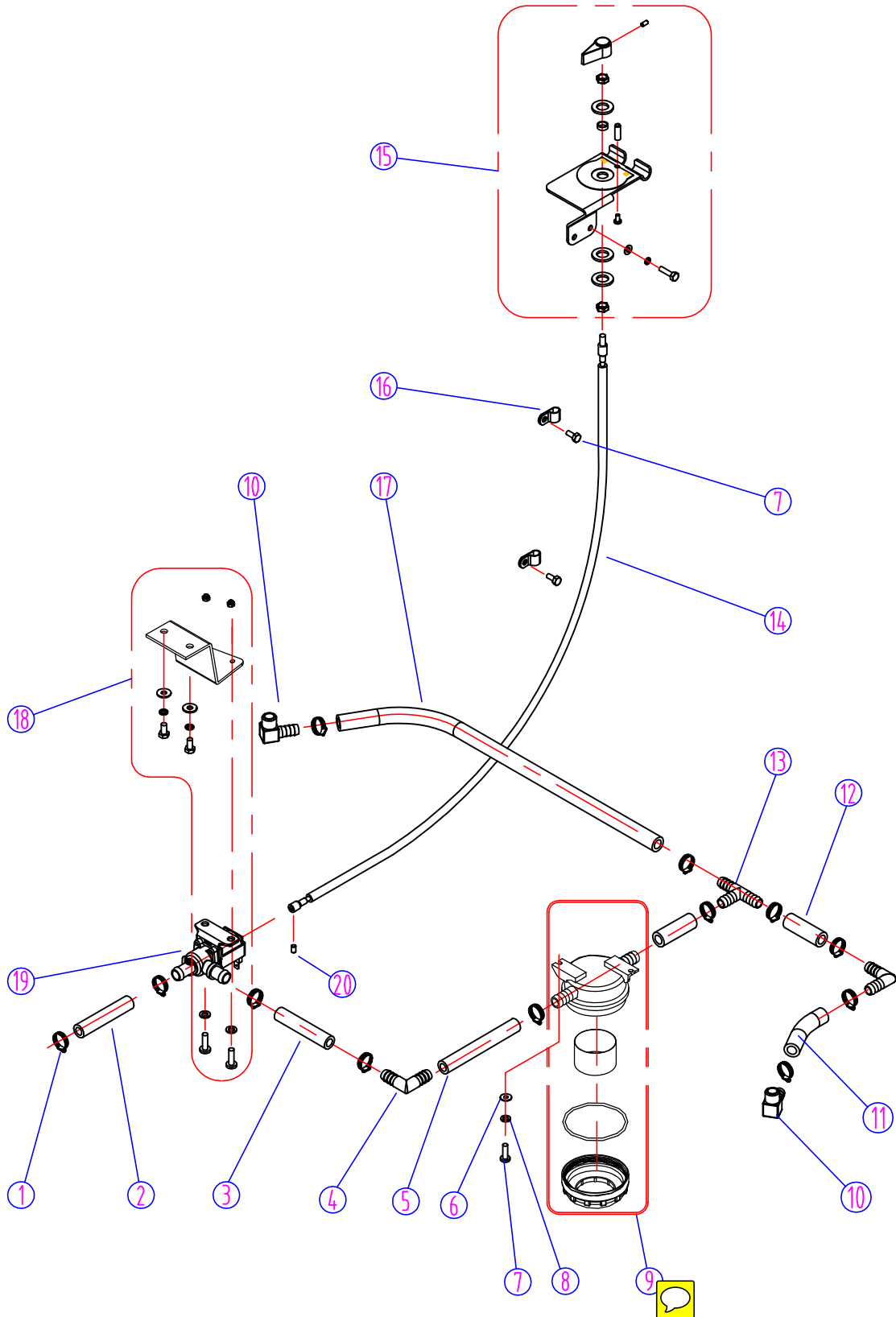


FANG24T FANG26T & FANG28T - BRUSH / PAD DRIVE ASSEMBLY

DIA NO	PART NUMBER	DESCRIPTION	NO REQ'D
1	VF83116B	SKIRT SUPPORT PLATE KIT	1
2	ZD45000	BRUSH MOTOR 24VDC 0.75HP	2
3	ZD45407	KEY 6.35 X 25	2
4	VF13537	WASHER PLAIN M10 X M26X2	8
5	VV13620	WASHER LOCK 3/8 INCH	8
6	VF14242	SCREW 3/8 INCH -1 INCH	8
7	VF83134A	STOP & DRIVE RELEASE KIT	2
8	VF83132	SPRING	2
9	VF83130A	PLATE DRIVE ASSY	2
10	VF82058	WASHER	2
11	VV20298	WASHER LOCK 5/16 INCH	2
12	VF14241	SCREW 5/16 INCH	2
13	VF81104	11 INCH BRUSH FOR FANG 24T	2
	VF83127	12 INCH BRUSH FOR FANG 26T	2
	VF83206	13 INCH BRUSH FOR FANG 28T	2
14	VF99003A	BIG MOUTH	2
15	VF81105	11 INCH PAD HOLDER FOR FANG 24T	2
	VF83128	12 INCH PAD HOLDER FOR FANG 26T	2
	VF83207	13 INCH PAD HOLDER FOR FANG 28T	2
16	VF81121A	TUBING KIT	1
17	ZD11305	CARBON BRUSH	8
18	VF81112A	24 INCH OR 26 INCH MOTOR MOUNT BRACKET KIT	1
	VF83205A	26 INCH OR 28 INCH MOTOR MOUNT BRACKET KIT	1

PARTS LIST

FANG 24T, FANG26T & FANG 28T - SOLUTION CONTROL ASSEMBLY

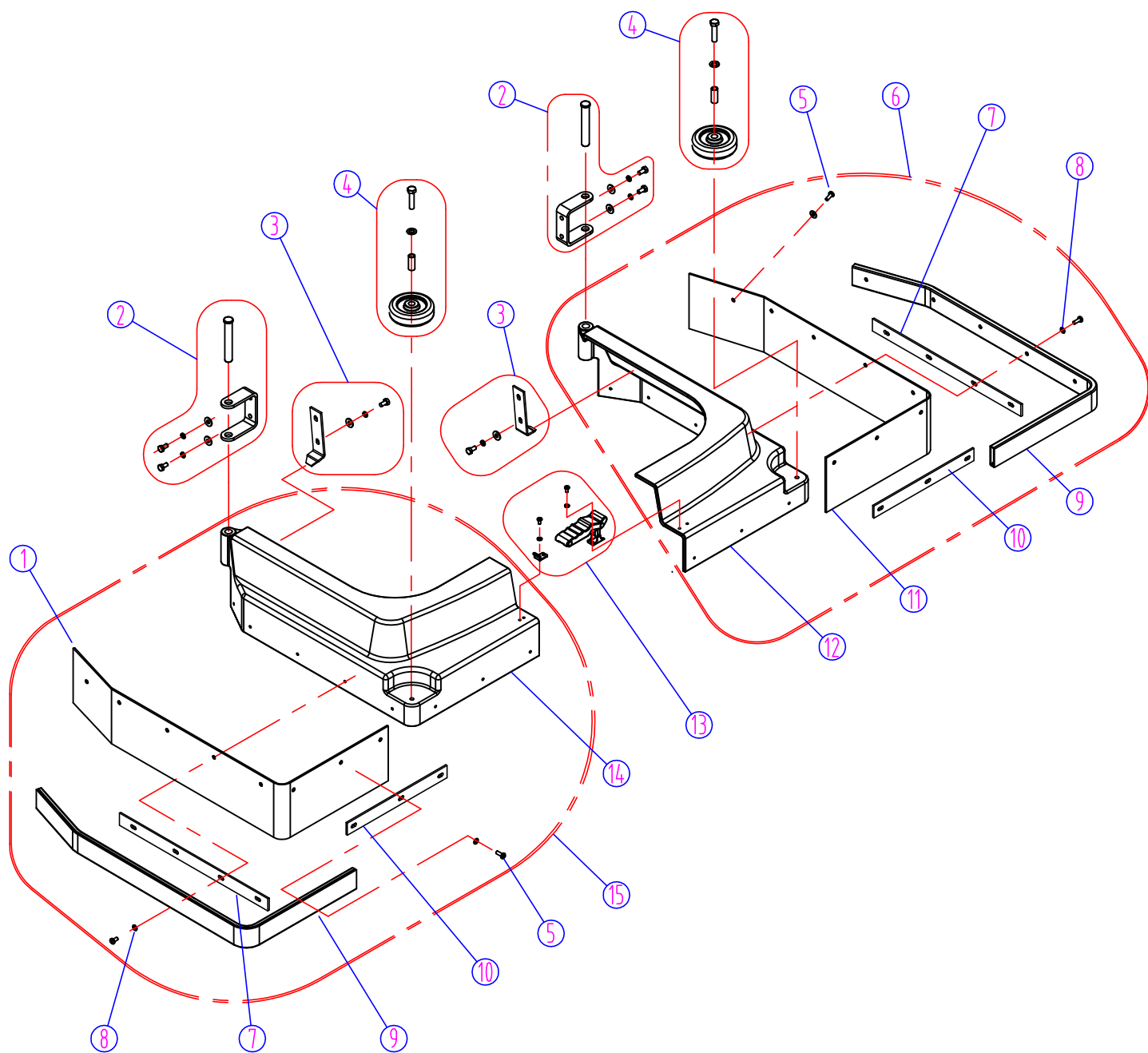


FANG24T, FANG26T & FANG28T - SOLUTION CONTROL ASSEMBLY

DIA NO	PART NUMBER	DESCRIPTION	NO REQ'D
1	VV10114	CLAMP	14
2	VF81127	TUBING 65mm	2
3	VF81126	TUBING 80mm	1
4	VF82042	ELBOW	2
5	VF81125	TUBING 200mm	1
6	VF13532	WASHER PLAIN M5	2
7	VV20509	SCREW M5 X 10	2
8	VV13601	WASHER LOCK M5	2
9	VF80111A	FILTER KIT	1
10	VF81403A	ELBOW SOLUTION TANK	2
11	VF81124	TUBING 115mm	1
12	VF81134	TUBING 50mm	2
13	VF82040	HOSE BARB TEE	1
14	VF83121	CABLE SOLENOID	1
15	VF82038A	VALVE ADJUST KIT	1
16	VF81118	CLAMP	2
17	VF81128	TUBING 320mm	1
18	VF83120A	BRACKET KIT SOLENOID	1
19	VF82033	SOLENOID 24VDC	1
20	VF14245	SCREW M5X6	1

PARTS LIST

FANG 24T, FANG 26T & FANG 28T - BRUSH SKIRT ASSEMBLY

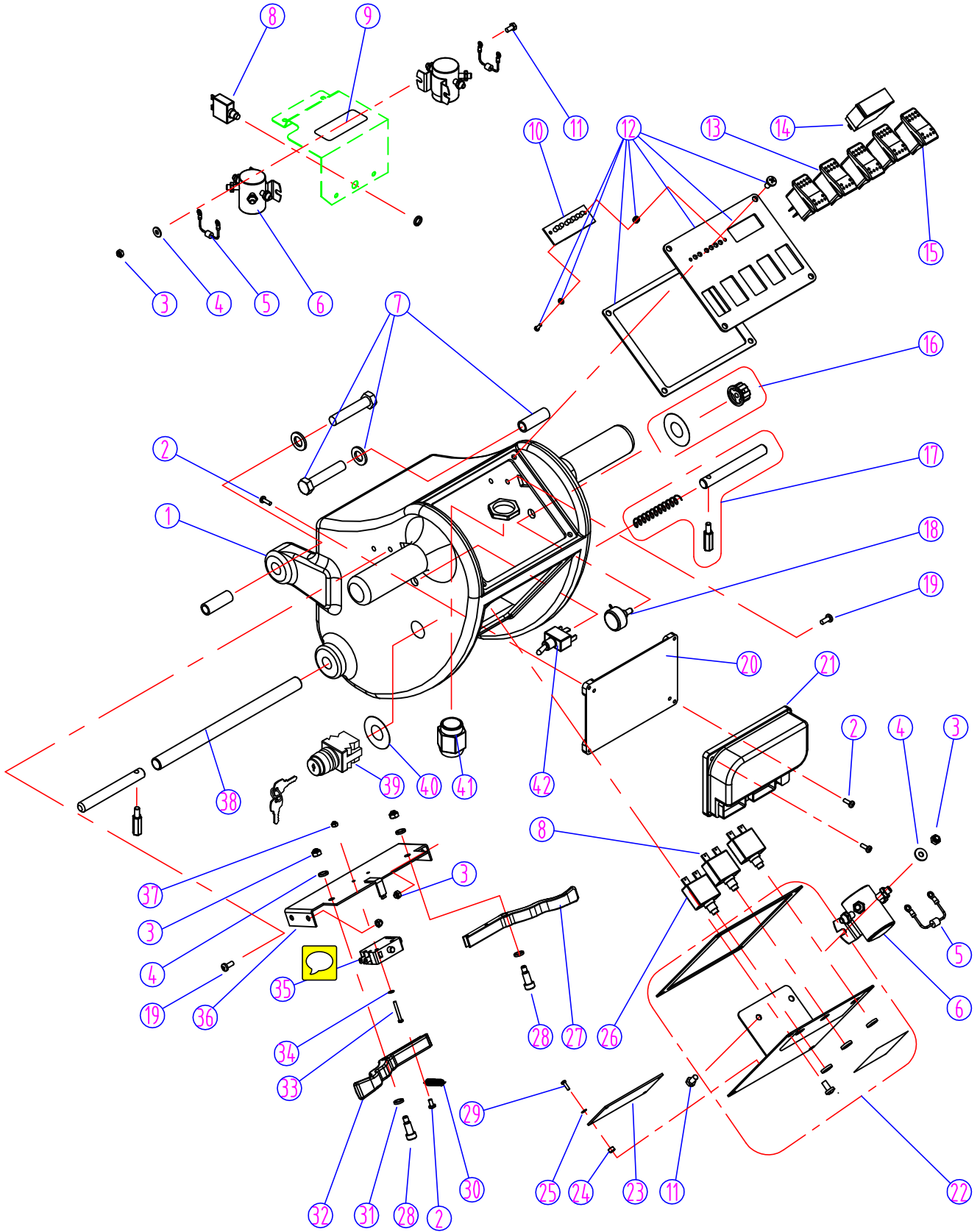


FANG24T, FANG26T & FANG28T - BRUSH SKIRT ASSEMBLY

DIA NO	PART NUMBER	DESCRIPTION	NO REQ'D
1	VF81109	BUMPER FOR FANG 24T	2
	VF83105	BUMPER FOR FANG 26T	2
	VF83203	BUMPER FOR FANG 28T	2
2	VF83107A	SKIRT MOUNT BRACKET KIT	2
3	VF83142A	SKIRT BLOCK KIT	2
4	VF82013E	3 INCH WHEEL	2
5	VA13474	SCREW M5 X 16	18
6	VF81108R	RIGHT SKIRT ASSEMBLY FOR FANG 24T	1
	VF83104R	RIGHT SKIRT ASSEMBLY FOR FANG 26T	1
	VF83202R	RIGHT SKIRT ASSEMBLY FOR FANG 28T	1
7	VF81130	BUMPER CLAMP FOR FANG 24T	2
	VF83151	BUMPER CLAMP FOR FANG 26T	2
	VF83214	BUMPER CLAMP FOR FANG 28T	2
8	VF13550	WASHER PLAIN M5 X M25 X 1.5	18
9	VF81117	BUMPER GRIP FOR FANG 24T	2
	VF83147	BUMPER GRIP FOR FANG 26T	4
	VF83212	BUMPER GRIP FOR FANG 28T	2
10	VF81131	CLAMP, BUMPER (FANG 24T)	2
	VF83213	CLAMP, BUMPER (FANG 28T)	2
11	VF81109A	BUMPER LONG FOR FANG 24T	2
	VF83105A	BUMPER LONG FOR FANG 26T	2
	VF83203A	BUMPER LONG FOR FANG 28T	2
12	VF81108	RIGHT SKIRT FOR FANG 24T	1
	VF83104	RIGHT SKIRT FOR FANG 26T	1
	VF83202	RIGHT SKIRT FOR FANG 28T	1
13	VF83109A	SKIRT LATCH KIT	1
14	VF81107	LEFT SKIRT FOR FANG 24T	1
	VF83103	LEFT SKIRT FOR FANG 26T	1
	VF83201	LEFT SKIRT FOR FANG 28T	1
15	VF81107L	LEFT SKIRT ASSEMBLY FOR FANG 24T	1
	VF83103L	LEFT SKIRT ASSEMBLY FOR FANG 26T	1
	VF83201L	LEFT SKIRT ASSEMBLY FOR FANG 28T	1

PARTS LIST

FANG 24T, FANG 26T & FANG 28T - CONTROL HOUSING



FANG24T, FANG26T & FANG28T - CONTROL HOUSING

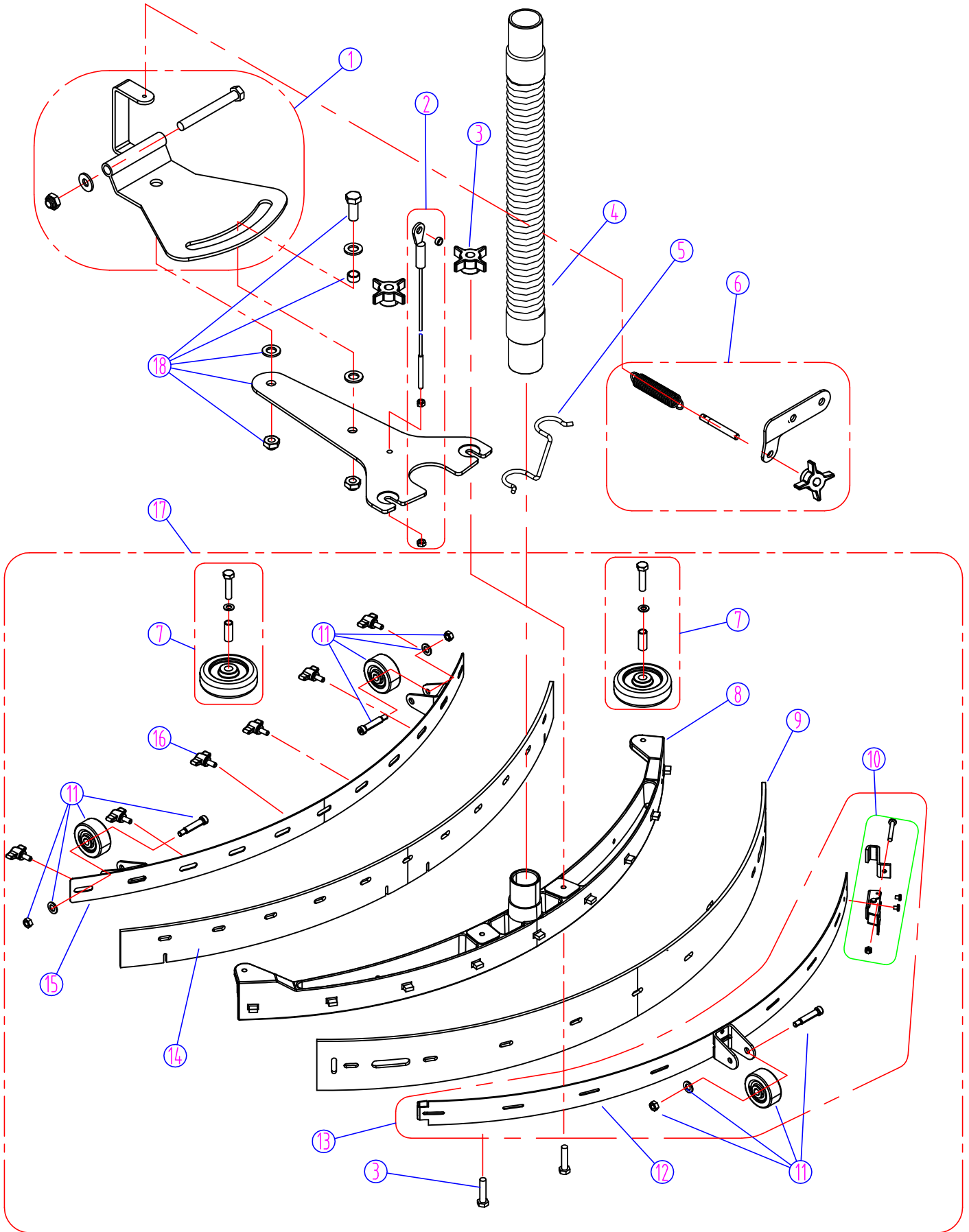
DIA NO	PART NUMBER	DESCRIPTION	NO REQ'D
1	VF82301	HOUSING CONTROL	1
2	VF13491	SCREW M4X12	7
3	VF13502	NUT LOCK M6	10
4	GT13032	WASHER PLAIN M6	6
5	VF81781	DIODE 400V	3
6	VF81726	SOLENOID 24V	3
7	VF81713A	BUSHING KIT	2
8	VF81734	BREAKER CIRCUIT 35 AMP	3
9	VF83149	CIRCUIT BREAKER LABEL	1
10	VF81718	CIRCUIT BREAKER LIGHTS	1
11	VF13495	SCREW M6X16	4
12	VF81708E	SWITCH PANEL KIT FOR FANG24T	1
	VF83138E	SWITCH PANEL KIT FOR FANG26T	1
	VF83209E	SWITCH PANEL KIT FOR FANG28T	1
13	VF81721	SWITCH LIGHTED ROCKER	4
14	VF81727	GAUGE BRUSH PRESSURE	1
15	VF81725	SWITCH BRUSH LIFT	1
16	VF81730A	KNOB SPEED CONTROL KIT	1
17	VF81709A	HANDLE LOCK PIN KIT	2
18	VF81729	POTENTIOMETER 4.7K	1
19	VF14200	SCREW M6X16	4
20	VF82316	PLATE	1
21	VF81739-24T	SPEED CONTROL BOARD	1
22	VF81116A	CONTROL HOUSING PANEL KIT FANG24T	1
	VF83146A	CONTROL HOUSING PANEL KIT FANG26T	1
	VF83211A	CONTROL HOUSING PANEL KIT FANG28T	1
23	VF81703	BATTERY CAPACITY CONTROL BOARD	1
24	VF81719	SPACER	4
25	VA50477	WASHER PLAIN M3XM10X1	4
26	VF99012	CIRCUIT BREAKER 12 AMP	1

FANG24T, FANG26T & FANG28T - CONTROL HOUSING

DIA NO	PART NUMBER	DESCRIPTION	NO REQ'D
27	VF82107	RIGHT HANDLE	1
28	VF81711	BOLT SHOULDER M8XM15X6	2
29	VF14078	SCREW M3X10	4
30	VF81712	SPRING	1
31	VF13514A	WASHER PLAIN M8XM16.5X1	2
32	VF82106	LEFT HANDLE	1
33	VF14212	SCREW M3X25	2
34	VF13511	WASHER TEETH M3	2
35	VF44203	SWITCH ASSEMBLY	1
36	VF81707	24 INCH SWITCH BRACKET	1
37	VV13652	NUT LOCK M3	2
38	VF81714	HANDLE ADJUSTMENT TUBE	1
39	VF82165	KEY SWITCH	1
40	VF82160	KEY SWITCH LABEL	1
41	VF81744	STRAIN RELIFE CORD	1
42	VF81722	TOGGLE SWITCH	1

PARTS LIST

FANG 24T, FANG 26T & FANG 28T - SQUEEGEE ASSEMBLY



FANG24T, FANG26T & FANG28T - SQUEEGEE ASSEMBLY

DIA NO	PART NUMBER	DESCRIPTION	NO REQ'D
1	VF83122A	MOUNTING PIVOT KIT	1
2	VF81243A	SGUEEGEE CABLE KIT	1
3	VF81210A	KNOB & SCREW KIT M8	2
4	VF81203A	HOSE	1
5	VF83150	HOSE HOLDER	1
6	VF83125A	SPRING BRACKET KIT	1
7	VF82013E	3 INCH WHEEL KIT	2
8	VF81201	SQUEEGEE HOUSING FOR FANG 24T & FANG 26T	1
	VF81231	SQUEEGEE HOUSING FOR FANG 26T & FANG 28T	1
9	VF81206	REAR BLADE SQUEEGEE FOR 24T&26T PU	1
	VF81216	REAR BLADE SQUEEGEE FOR 24T&26T NEOPRENE	1
	VF81237	REAR BLADE SQUEEGEE FOR 28T PU	1
	VF81235	REAR BLADE SQUEEGEE FOR 28T NEOPRENE	1
10	VF81218A	LATCH AND HOOD KIT	1
11	VF81219A	2 INCH WHEEL	3
12	VF81214	BACKUP STRIP REAR SQUEEGEE FOR FANG24T & FANG26T	1
	VF81233	BACKUP STRIP REAR SQUEEGEE FOR FANG28T	1
13	VF81214A	BACKUP STRIP KIT REAR SQUEEGEE FOR FANG24T & FANG26T	1
	VF81233A	BACKUP STRIP KIT REAR SQUEEGEE FOR FANG28T	1
14	VF81205	FRONT BLADE SQUEEGEE FOR 24T&26T PU	1
	VF81215	FRONT BLADE SQUEEGEE FOR 24T&26T NEOPRENE	1
	VF81236	FRONT BLADE SQUEEGEE FOR 28T PU	1
	VF81234	FRONT BLADE SQUEEGEE FOR 28T NEOPRENE	1
15	VF81213	BACKUP STRIP FRONT SQUEEGEE FOR 24T & 26T	1
	VF81232	BACKUP STRIP FRONT SQUEEGEE FOR 28T	1
16	VF82121	KNOB M6	6
17	VF81008A	SQUEEGEE ASSEMBLY FOR FANG24T & FANG26T	1
	VF81008B	SQUEEGEE ASSEMBLY FOR FANG28T	1
18	VF83123A	SQUEEGEE MOUNT BRACKET KIT	1

WEAR AND TEAR PARTS

PART No.	DESCRIPTION	QTY	MACHINE
VF44203	SWITCH	1	FANG24T&26T&28T
VF81721	SWITCH LIGHTED ROCKER	1	FANG24T&26T&28T
VF83130A	DRIVE PLATE ASSEMBLY	1	FANG24T&26T&28T
VF81600	TRANSAXLE 24VDC	1	FANG24T&26T&28T
ZD72000A	TRANSAXLE MOTOR 24VDC	1	FANG24T&26T&28T
ZD45000	BRUSH MOTOR	1	FANG24T&26T&28T
VF81510A	DRAIN HOSE KIT	1	FANG24T&26T&28T
VF81509	EXPANSION PLUG	1	FANG24T&26T&28T
VF82031	ADAPTER TUBE GASKET	1	FANG24T&26T&28T
VF82033	SOLUTION SOLENOID, VALVE	1	FANG24T&26T&28T
VF80111A	FILTER KIT	1	FANG24T&26T&28T
VF83111	4 INCH SWIVEL CASTER	2	FANG24T&26T&28T
VF81210A	KNOB & SCREW M8 KIT	2	FANG24T&26T&28T
VF81243	SQUEEGEE LIFT CABLE KIT	1	FANG24T&26T&28T
VF82063	BLADE, SQUEEGEE, REAR (PU)	1	FANG24T&26T&28T
VF82062	BLADE, SQUEEGEE, FRONT (PU)	1	FANG24T&26T&28T
VF82010B	GASKET	1	FANG24T&26T&28T
VF82010X	LID KIT	1	FANG24T&26T&28T
ZD54000	MOTOR VACUUM 3 STAGE 24VDC	1	FANG24T&26T&28T
VF81503	GASKET,VACUUM MOTOR	1	FANG24T&26T&28T
VF81306	BATTERY CONNECTOR	1	FANG24T&26T&28T
VF81726	SOLENOID 24VDC	1	FANG24T&26T&28T
VF81734	CIRCUIT BREAKER 35AMP	2	FANG24T&26T&28T
VF99012	CIRCUIT BREAKER 12AMP	1	FANG24T&26T&28T
VF81106	8 INCH WHEEL	2	FANG24T&26T&28T
VF81729	POTENTIOMETER 4.7K	1	FANG24T&26T&28T
VF81739-24T	SPEED CONTROL BOARD	1	FANG24T&26T&28T
VF81109	BUMPER	2	FANG24T
VF81206	REAR SQUEEGEE BLADE	1	FANG24T&26T
VF81205	FRONT SQUEEGEE BLADE	1	FANG24T&26T
VF83105	BUMPER	2	FANG26T
VF83203	BUMPER	2	FANG28T
VF81237	REAR SQUEEGEE BLADE	1	FANG28T
VF81236	FRONT SQUEEGEE BLADE	1	FANG28T