

GD 110

Model:
GD 110



Part List US-English

12-04-2011

Nilfisk

www.nilfisk.com

Table of Contents

GD 110

Overview	3
Accessories line drawing	5
NILFISK MOP	7

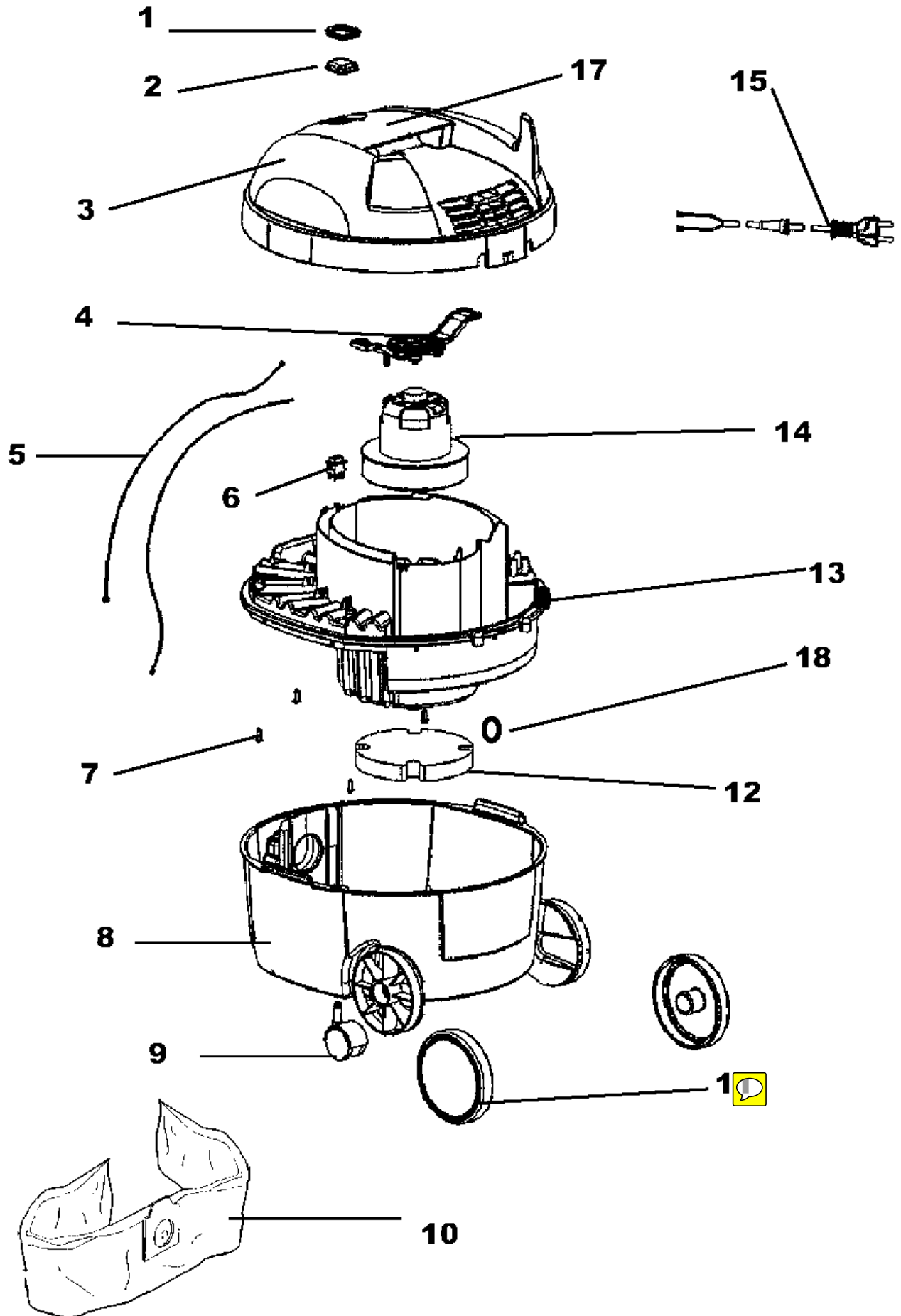
Overview

GD 110

12-04-2011

Part List ID B3613

3



Overview

GD 110

12-04-2011

Part List ID

B3613

4

Pos	Part no.	Qty	Description	EAN
1	140 7223 030	1	SECURITY RING GREY	7319519504
1	140 7223 040	1	LOCKING RING ALTOBLUE	7319519653
2	140 7222 040	1	PROTECTION HOOD	7319519472
3	140 7886 000	1	TOP COVER GREY	7319519608
3	140 7886 010	1	TOP COVER FOR US-VARIANTS	7319519609
3	140 7886 040	1	TOP COVER GERNIGREEN	7319519653
4	140 8034 000	1	MOTOR SUPPORT	7319519608
5	140 7040 310	2	WIRE COMPL.	7319519607
6	140 8096 000	1	SWITCH-KIT GD 110	7319519613
7	140 9214 040	5	SCREW PTK TORX 40X14 MM FZB	7319519418
8	140 7888 000	1	CONTAINER	7319519608
9	140 7607 000	1	CASTOR WHEEL 40MM	7319519607
10	140 7019 010	1	CLOTH DUST BAG GD 110	7319519610
10	140 8007 010	1	DUST BAG GD110 5 PCS	7319519512
10	140 8007 020	1	DUST BAG GD110 10 PC	7319519512
12	140 8025 000	1	PRE-FILTER	7319519608
13	140 7729 000	1	CHASSI CPL.	7319519609
14	140 7993 500	1	FAN UNIT KIT 220-240V AMETEK	7319519611
14	140 7993 510	1	FAN UNIT KIT 110-127V	7319519611
14	140 7993 520	1	FAN UNIT KIT 100V	7319519611
15	140 8011 140	1	CORD SET L 10500 US	7319519611
15	140 8011 170	1	CORD SET L 10500 EU	7319519613
15	140 8011 180	1	CORD SET L 10500 UK	7319519613
15	140 8011 190	1	CORD SET L 10500 CH	7319519613
15	140 8011 200	1	CORD SET L 10500 AU	7319519613
15	140 8011 210	1	CORD SET L 8500 JP	7319519613
18	140 5058 500	1	LOCK WASHER GD 930	7319519652
NI	140 8006 010	1	CARTON GD 110	7319519662
			BOX FOR RE-PACK	

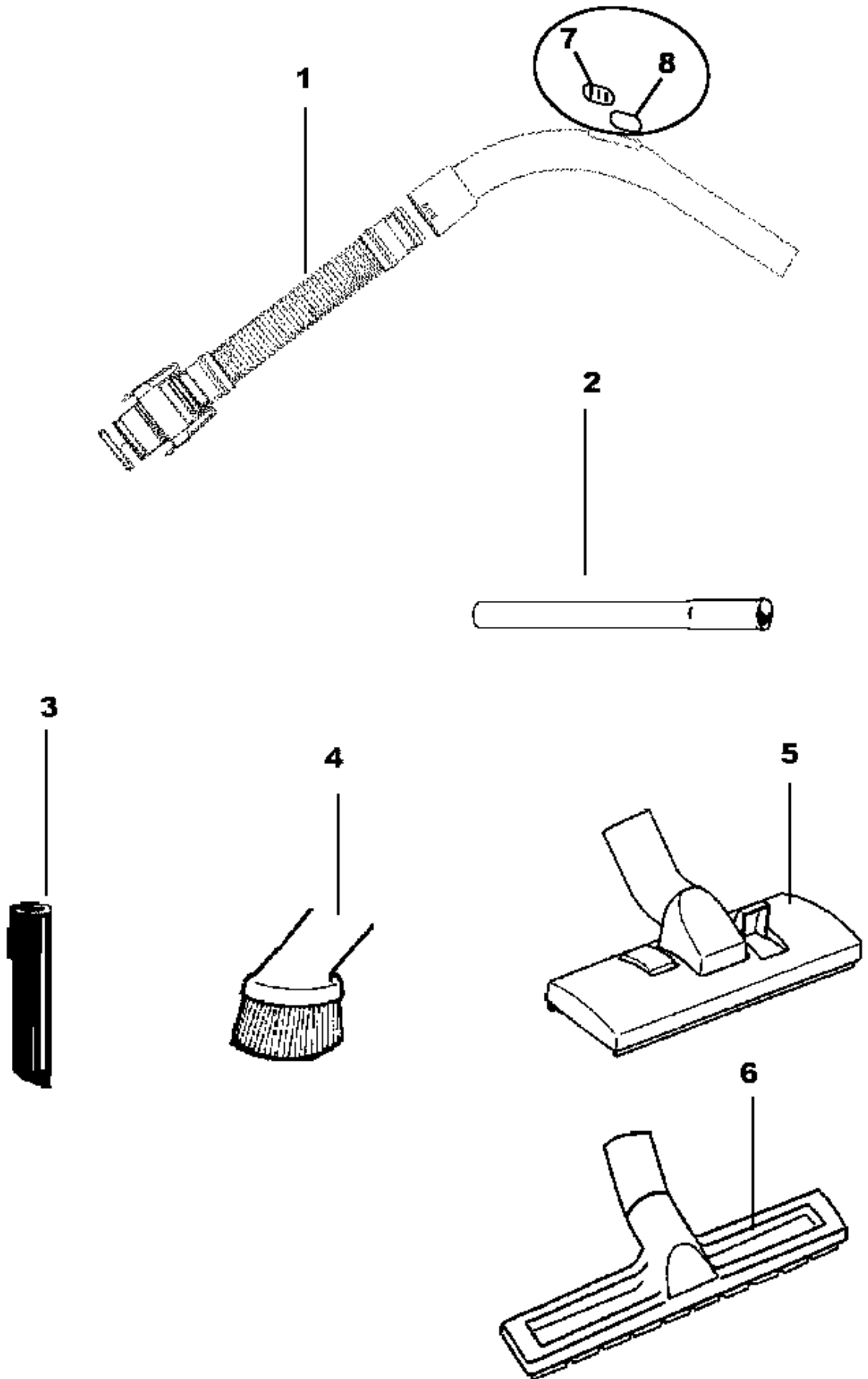
Accessories line drawing

GD 110

12-04-2011

Part List ID B3615

5



Accessories line drawing

GD 110

12-04-2011

Part List ID

B3615

6

Pos	Part no.	Qty	Description	EAN
1	140 7990 020	1	HOSE CPL. 1.9M GD 110 ONLY	7319519608
2	011 6431 500	1	EXTENSION TUBE ALUMINIUM	7319519631
2	140 8246 040	1	EXTENSION TUBE STEEL D32	7319519607
2	140 8246 050	1	EXTENSION TUBE STEEL 450MM	7319519610
3	140 8012 500	1	CREVICE NOZZLE KIT	7319519658
4	140 8244 500	1	BRUSH NOZZLE KIT	7319519658
5	140 8003 000	1	COMBI NOZZLE D 252	7319519607
6	140 6700 540	1	NOZZLE MULTI SURFACE 32 MM	7319519636
7	140 8058 000	1	SUCTION CONTROL	7319519611
8	140 8060 000	1	SEALING	7319519611

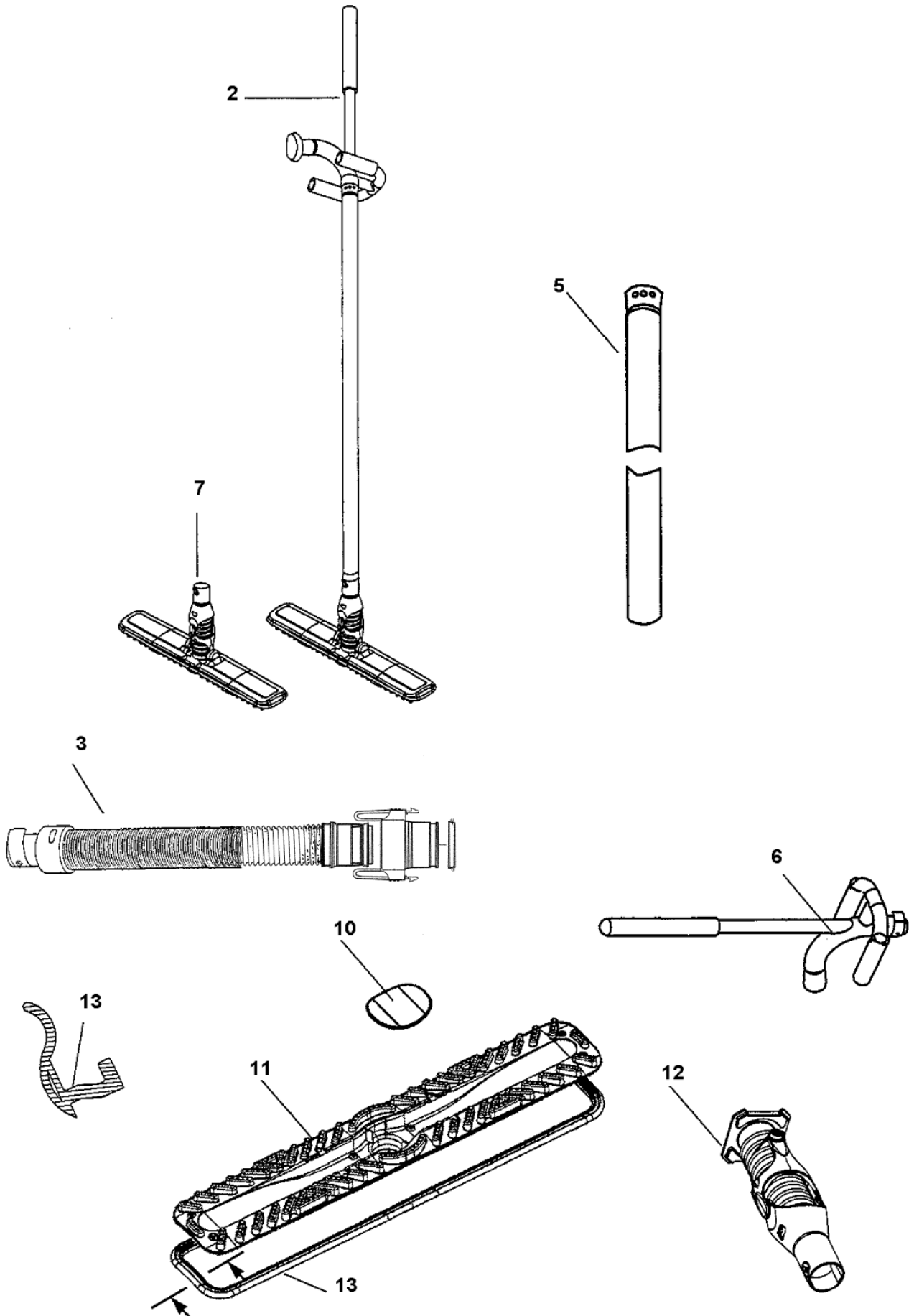
NILFISK MOP

GD 110

12-04-2011

Part List ID B3617

7



NILFISK MOP

GD 110

12-04-2011

Part List ID

B3617

8

Pos	Part no.	Qty	Description	EAN
2	17830007	1	MOP WITHOUT HOSE 1000 MM MED.	5715492005
3	140 7990 040	1	HOSE CPL. L 3000	7319519610
5	62188100	1	TUBE LENGTH 800 MM	5715492005
5	62188300	1	TUBE LENGTH 1180 MM	5715492005
6	62188400	1	HANDLE	5715492005
7	22201800	1	MOP NOZZLE	5715492006
11	22144600	1	FOOT PLATE WITH FENDER	5715492005
12	22144300	1	FLEXIBLE NECK	5715492005
13	22145500	1	FENDER LIST	5715492007