

GD 2000-Commercial

Model:
GD 2000
GDP 2000
GDS 2000
HDS 2000



Part List US-English

25-05-2009

Table of Contents

GD 2000-Commercial

| | |
|---|-----------|
| Motor and cord types, all models | 3 |
| Upper parts, all models | 5 |
| Electric switches service kit | 7 |
| Filter, HEPA-Filter and sound suppressor | 9 |
| Container bottom parts | 11 |
| Nozzles, tubes, hoses and dust bags | 13 |
| Nozzles, special consumer | 15 |

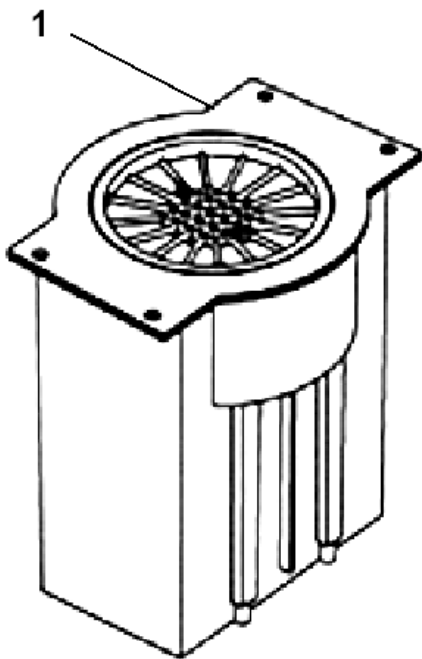
Motor and cord types, all models

GD 2000-Commercial

25-05-2009

Part List ID B4633

3

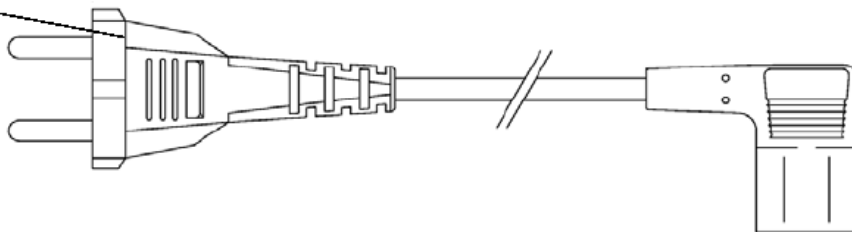


2

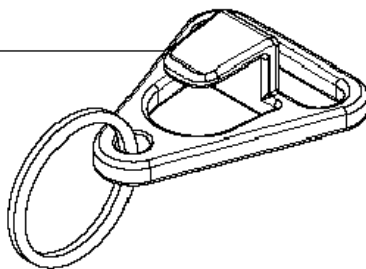
Fig. 2 Cord set Ref.No. 120038xx

| | | |
|-----------------|--|--|
| 01 EU | | |
| 02 UK | | |
| 03 AU/NZ | | |
| 04 CH | | |
| 05 US/JP | | |

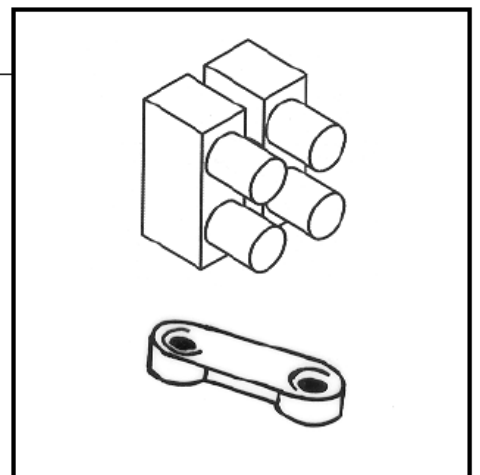
3



4



5



Motor and cord types, all models

GD 2000-Commercial

25-05-2009

Part List ID

B4633

4

| Pos | Part no. | Qty | Description | EAN |
|-----|--------------|-----|--------------------------------|------------|
| 1 | 140 8400 500 | 1 | MOTOR CASSETTE CPL220-240V KIT | 7319519629 |
| 1 | 140 8400 510 | 1 | MOTOR CASSETTE CPL110-120V KIT | 7319519629 |
| 1 | 140 8400 520 | 1 | MOTOR CASSETTE CPL 100V KIT | 7319519629 |
| 2 | 12003801 | 1 | CORD SET EU CPL. L 15M | 5715492003 |
| 2 | 12003802 | 1 | CORD SET UK CPL. L 15M | 5715492003 |
| 2 | 12003803 | 1 | CORD SET AU/NZ CPL. L 15M | 5715492003 |
| 2 | 12003804 | 1 | CORD SET CH CPL. L 15M | 5715492003 |
| 2 | 12003805 | 1 | CORD SET US/JP CPL. L 15M | 5715492003 |
| 3 | 140 8434 500 | 1 | CORD SET EU L15M KIT | 7319519629 |
| 3 | 140 8434 510 | 1 | CORD SET UK L 15M KIT | 7319519629 |
| 4 | 140 8433 500 | 1 | CABLE RELIEF LIT | 7319519629 |
| 5 | 147 0503 500 | 1 | CABLE LOCKING KIT | 7319519639 |

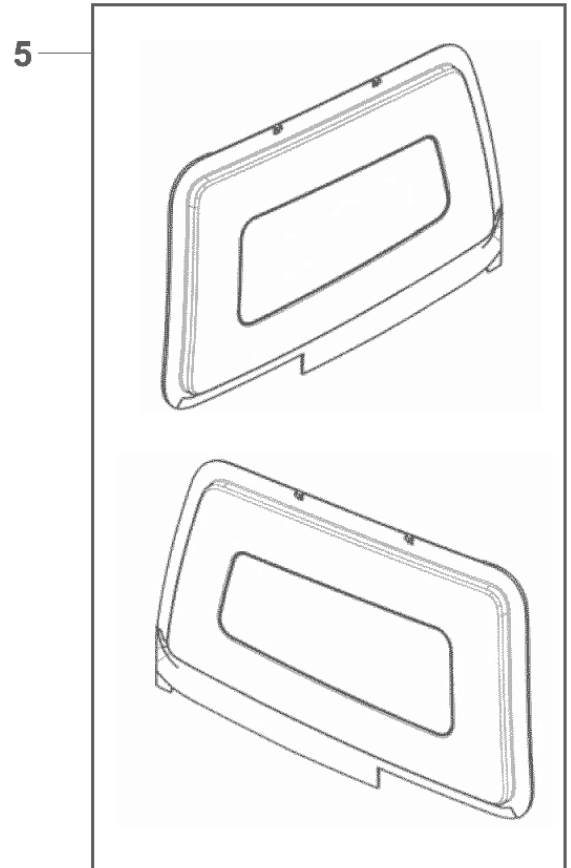
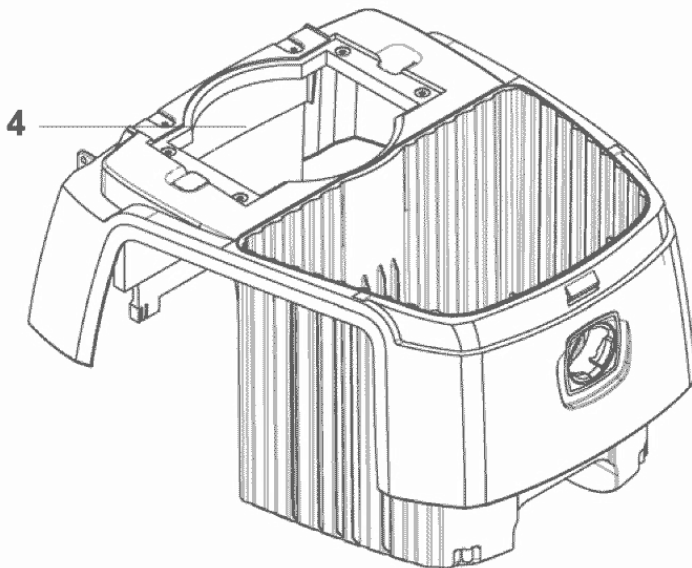
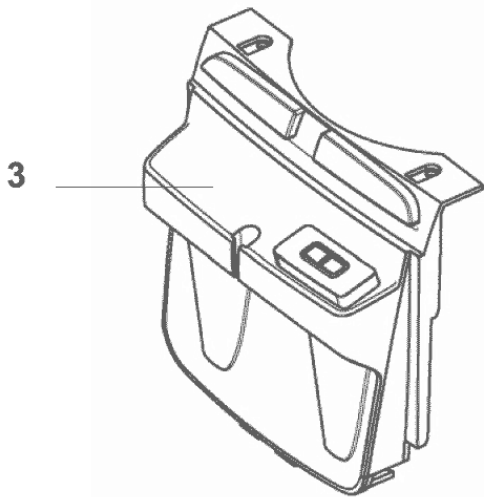
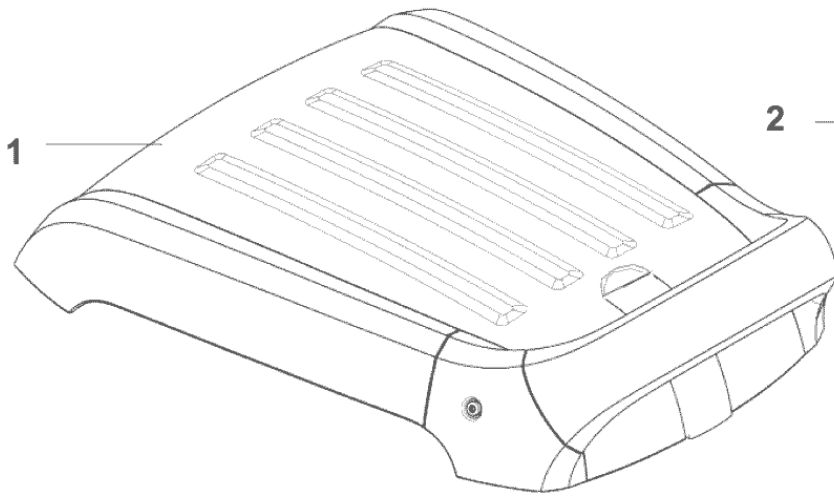
Upper parts, all models

GD 2000-Commercial

25-05-2009

Part List ID B4635

5



Upper parts, all models

GD 2000-Commercial

25-05-2009

Part List ID

B4635

6

| Pos | Part no. | Qty | Description | EAN |
|-----|--------------|-----|--------------------------------|------------|
| 1 | 140 8419 500 | 1 | LID CPL GD2000 GREY | 7319519629 |
| 1 | 140 8419 510 | 1 | LID W/SOUND ABSORBER GREY | 7319519631 |
| 1 | 140 8419 560 | 1 | LID CPL ALTO-BLUE KIT | 7319519657 |
| 2 | 140 8444 500 | 1 | LATCH CPL KIT | 7319519629 |
| 3 | 140 8560 500 | 1 | COVER REAR CPL KIT | 7319519629 |
| 3 | 140 8560 510 | 1 | COVER REAR CPL UL KIT | 7319519629 |
| 3 | 140 8560 550 | 1 | COVER REAR UL ALTO-BLUE KIT | 7319519657 |
| 3 | 140 8562 500 | 1 | COVER REAR TWO SPEED KIT | 7319519629 |
| 4 | 140 8409 500 | 1 | CHASSIS GREY KIT | 7319519629 |
| 4 | 140 8409 510 | 1 | CHASSIS UL GREY KIT | 7319519632 |
| 4 | 140 8409 550 | 1 | CHASSIS UL ALTO-BLUE KIT | 7319519657 |
| 5 | 140 8414 520 | 2 | SHEET OUTLET RIGHT LEFT | 7319519643 |
| 5 | 140 8571 500 | 2 | COVER OUTLET RL-NILFISK KIT | 7319519643 |
| 5 | 140 8571 500 | 2 | COVER OUTLET RL-NILFISK KIT | 7319519643 |
| 5 | 140 8571 510 | 2 | COVER OUTLET RL UL-NILFISK KIT | 7319519643 |

Electric switches service kit

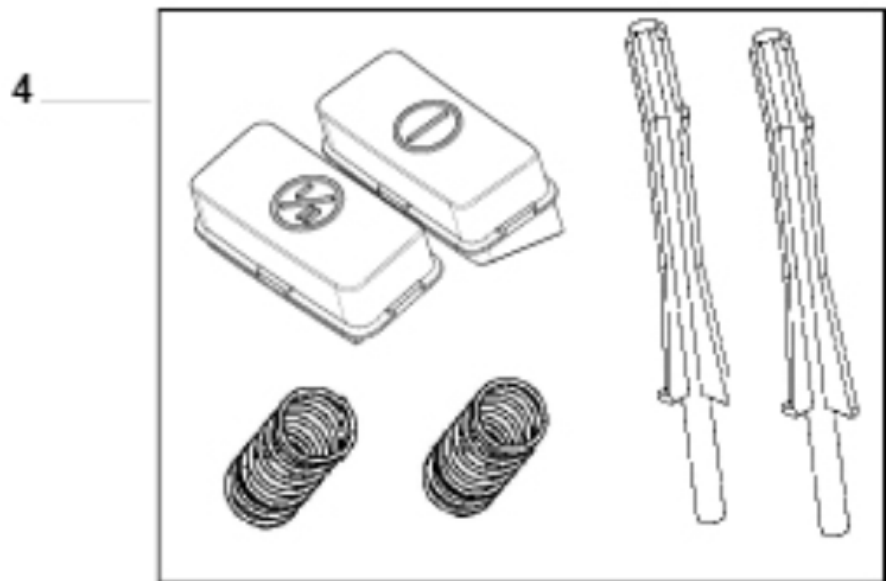
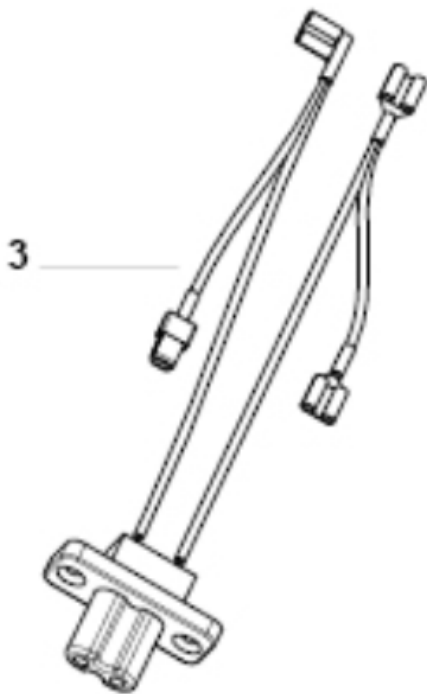
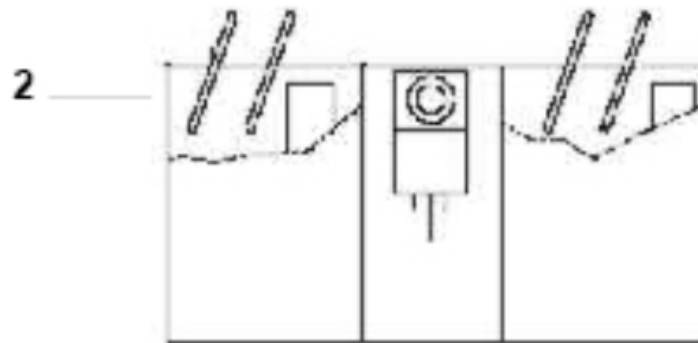
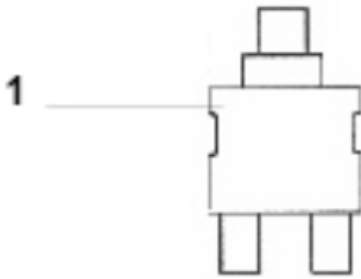
25-05-2009

Part List ID

B4637

GD 2000-Commercial

7



Electric switches service kit

GD 2000-Commercial

25-05-2009

Part List ID

B4637

8

| Pos | Part no. | Qty | Description | EAN |
|-----|--------------|-----|-------------------------------|------------|
| 1 | 140 8096 500 | 1 | SWITCH KIT | 7319519629 |
| 2 | 140 7026 500 | 1 | 2S CIRCUIT BOARD 220-240V KIT | 7319519629 |
| 2 | 140 7026 510 | 1 | 2S CIRCUIT BOARD 110-120V KIT | 7319519629 |
| 3 | 140 8497 500 | 1 | CONNECTOR CPL KIT | 7319519629 |
| 3 | 140 8497 520 | 1 | CONNECTOR CPL UL-APPR 1-S KIT | 7319519632 |
| 4 | 140 8575 510 | 1 | NEW SWITCH BUTTON KIT | 7319519658 |

Filter, HEPA-Filter and sound suppressor

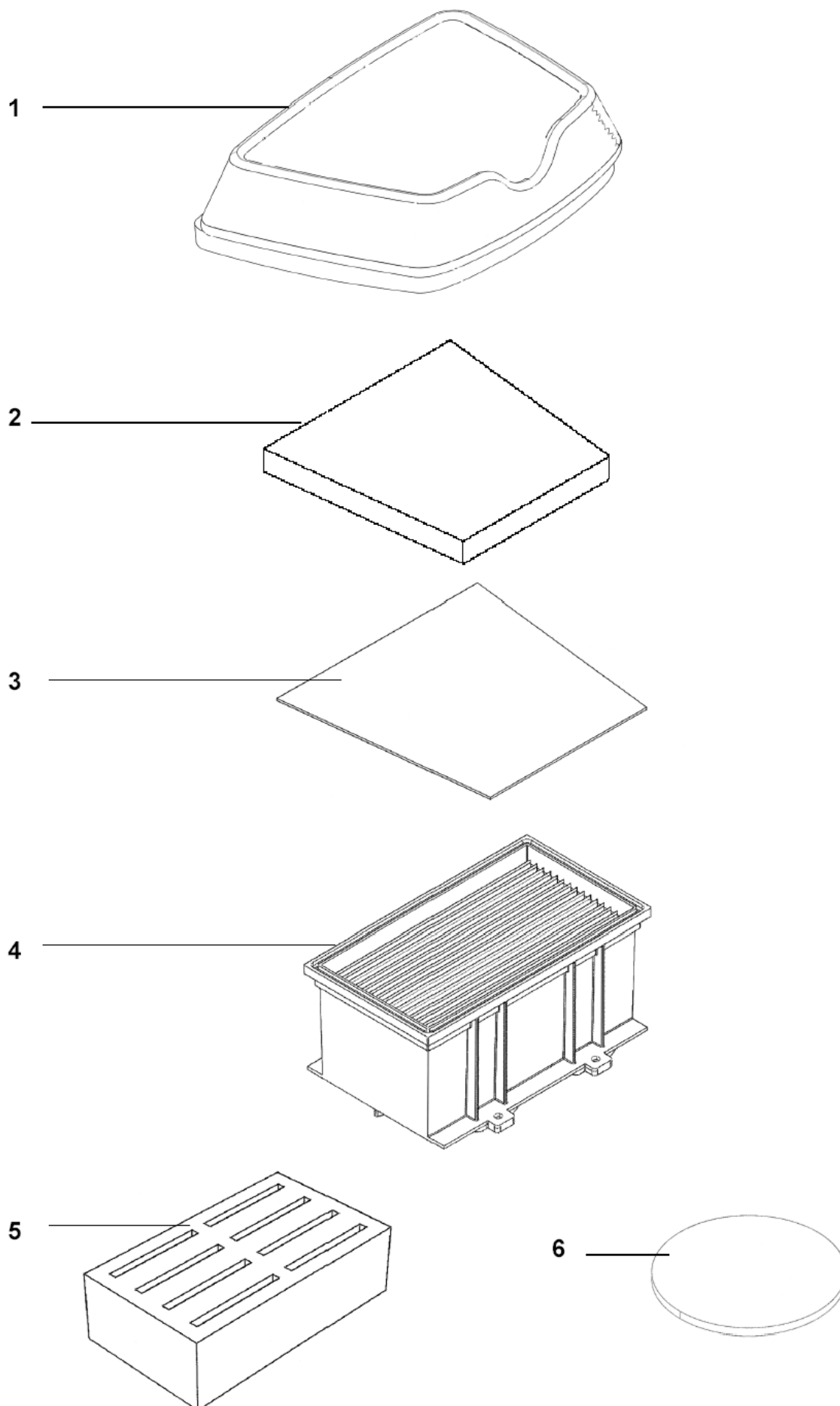
GD 2000-Commercial

25-05-2009

Part List ID

B4639

9



Filter, HEPA-Filter and sound suppressor

GD 2000-Commercial

25-05-2009

Part List ID

B4639

10

| Pos | Part no. | Qty | Description | EAN |
|-----|--------------|-----|-----------------------|------------|
| 1 | 140 8423 500 | 1 | SACK FILTER CPL KIT | 7319519629 |
| 2 | 140 8435 500 | 1 | MAIN FILTER KIT | 7319519629 |
| 3 | 140 8436 500 | 5 | PAPER FILTER KIT.5PCS | 7319519629 |
| 4 | 140 8404 500 | 1 | HEPA FILTER KIT | 7319519628 |
| 5 | 140 8561 500 | 1 | SILENCE EXHAUST KIT | 7319519629 |
| 6 | 140 8551 500 | 1 | MOTOR FILTER KIT | 7319519629 |

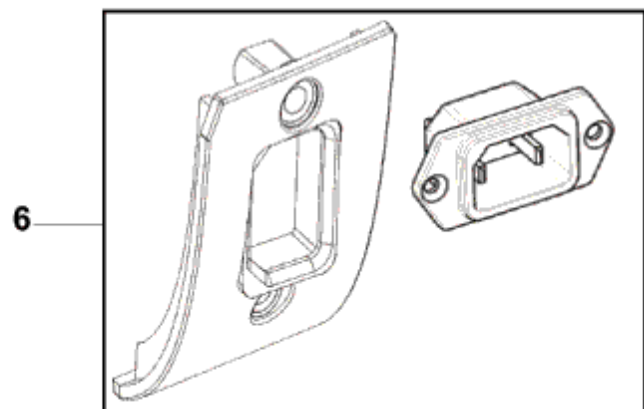
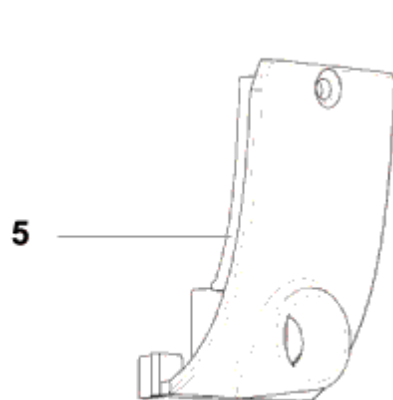
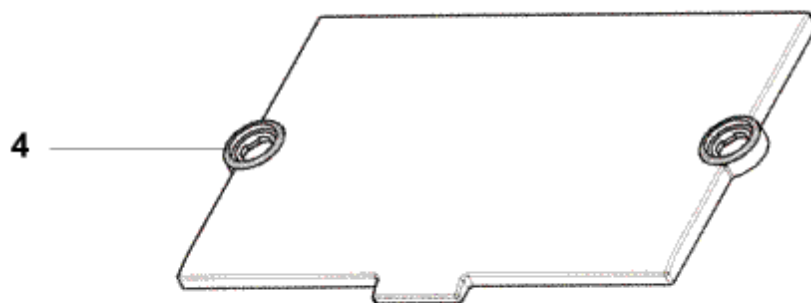
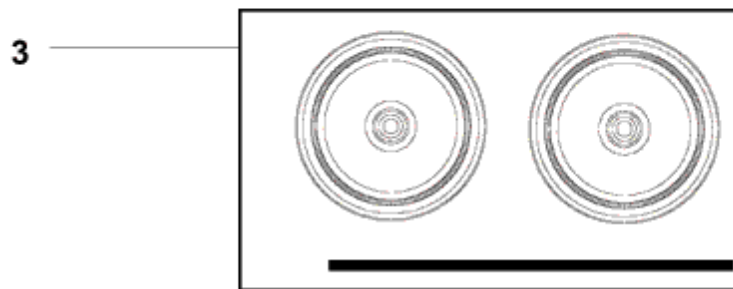
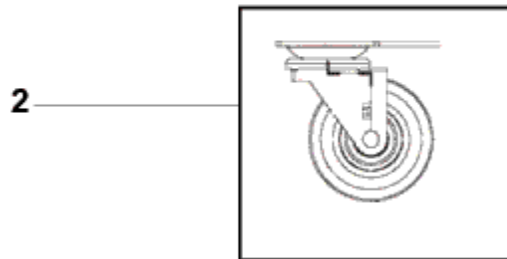
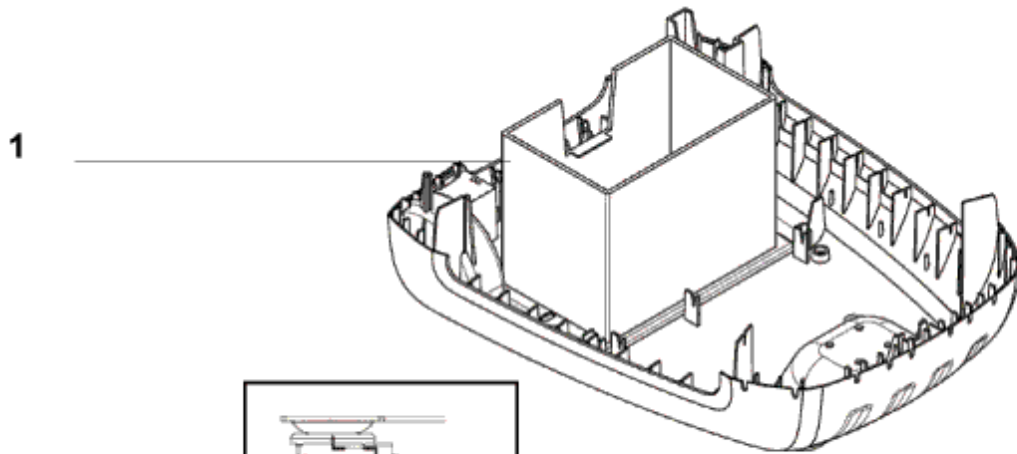
Container bottom parts

GD 2000-Commercial

25-05-2009

Part List ID
B46311

11



Container bottom parts

GD 2000-Commercial

25-05-2009

Part List ID

B46311

12

| Pos | Part no. | Qty | Description | EAN |
|-----|--------------|-----|--------------------------------|------------|
| 1 | 140 8565 500 | 1 | LOWER PART BASIC KIT | 7319519629 |
| 1 | 140 8566 500 | 1 | LOWER PART F POWER OUTLET KIT | 7319519629 |
| 1 | 140 8566 510 | 1 | LOWER PART F POW OUTLET UL KIT | 7319519629 |
| 1 | 140 8566 560 | 1 | L.PART F POW UL ALTO-BLUE KIT | 7319519657 |
| 1 | 140 8567 500 | 1 | LOWER PART F DETACH CORD KIT | 7319519629 |
| 1 | 140 8568 500 | 1 | LOWER PART F POW DET CABLE KIT | 7319519629 |
| 2 | 140 8445 500 | 1 | CASTOR WHEEL KIT | 7319519629 |
| 3 | 140 8446 500 | 1 | REAR WHEEL KIT | 7319519629 |
| 4 | 140 8428 500 | 1 | LID LOWER PART GREY KIT | 7319519629 |
| 4 | 140 8428 530 | 1 | LID LOWER PART ALTO-BLUE KIT | 7319519657 |
| 5 | 140 8430 500 | 1 | COVER PROTECT.SLEEVE GREY KIT | 7319519629 |
| 5 | 140 8430 510 | 1 | COVER PROT SLEEVE GREY UL KIT | 7319519632 |
| 5 | 140 8430 550 | 1 | COVER P.SLEEVE ALTO-BLUE KIT | 7319519657 |
| 6 | 140 8577 500 | 1 | COVER PROT SLEEVE DETACH KIT | 7319519629 |

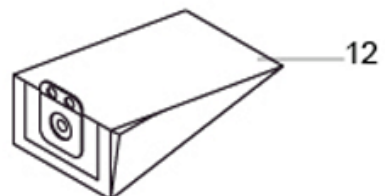
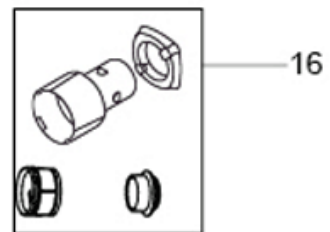
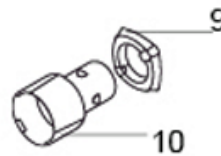
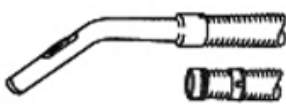
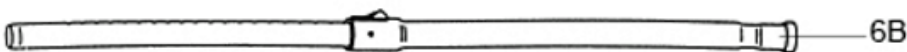
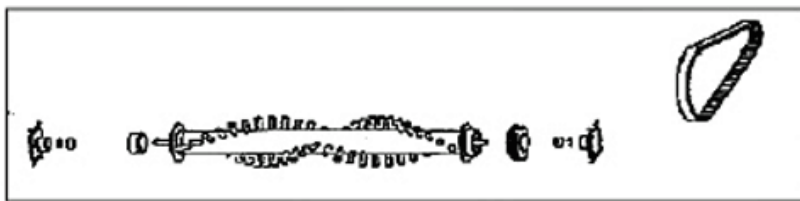
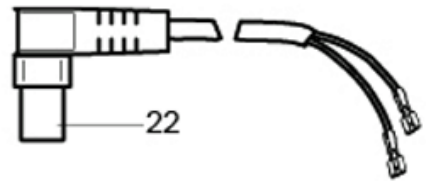
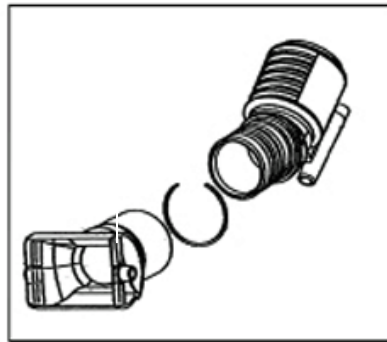
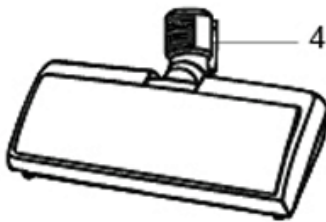
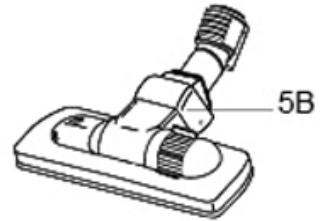
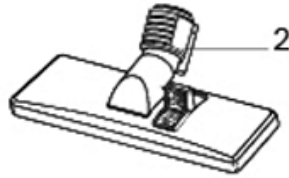
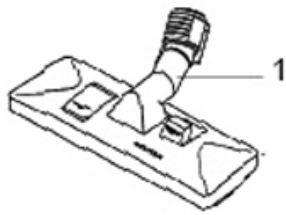
Nozzles, tubes, hoses and dust bags

25-05-2009

Part List ID
B46313

GD 2000-Commercial

13



Nozzles, tubes, hoses and dust bags

GD 2000-Commercial

25-05-2009

Part List ID

B46313

14

| Pos | Part no. | Qty | Description | EAN |
|-----|--------------|-----|--------------------------------|------------|
| 1 | 11980300 | 1 | COMBO-FL. NOZZ. GREY 270MM | |
| 2 | 12019401 | 1 | COMBI NOZZLE 32MM | 5715492003 |
| 3 | 140 8492 510 | 1 | ROLLER COMBI NOZZLE KIT | 7319519629 |
| 4 | 12010100 | 1 | ELEC. NOZZLE | 5715492003 |
| 4 | 82220700 | 1 | ELECTRO FL. NOZZ. 100-120V | 5715492014 |
| 6 | 11112401 | 1 | EXTENSION TUBE CPL. | 5715492003 |
| 7 | 12018001 | 1 | HOSE 38/32 W. CURVED TUBE GD | 5715492003 |
| 8 | 22042401 | 1 | HOSE 38/32 WITH GD-COUPLING | 5715492003 |
| 9 | 11542001 | 1 | GASKET GS/GD COUPLING | 5715492003 |
| 10 | 12018101 | 1 | HOSE COUPLING F. HOSE 38MM | 5715492003 |
| 11 | 21640503 | 1 | BENDED TUBE WITH SHUTTER GREY | 5715492003 |
| 12 | 140 8618 000 | 1 | DUST BAG 10L 10 PCS | 7319519628 |
| 12 | 140 8618 010 | 1 | DUST BAG 10L 10-PCS US/CA | 7319519628 |
| 12 | 22251800 | 1 | DUST BAG CLOTH KIT GD 1000 | 7319519627 |
| 12 | 82222900 | 5 | BAG 10 L WITH CLOSURE 5 PCS. | 5715492007 |
| 14 | 22367500 | 1 | KOBLING FOR R Ø R GD1000 | |
| 15 | 22365000 | 1 | BRUSH AND DRIVE BELT KITSET | |
| 16 | 22366100 | 1 | HOSE COUPLING 38MM GD | 5715492011 |
| 20 | 22350900 | 1 | RINGS F.TAPERED OR CONIC | 5715492010 |
| 22 | 22201500 | 1 | CABLE FOR ELECTRO NOZZ. | 5715492006 |
| 23 | 22351000 | 1 | SHUTTER FOR BEDNED TUBE.GREY | 5715492010 |
| 5B | 12018501 | 1 | COMBI NOZZLE 32 MM | 5715492003 |
| 6B | 81906500 | 1 | TUBE TElesc.LENGTH MAX 1130 MM | 5715492011 |
| 9B | 010 9299 540 | 1 | GASKET CPL | 7319519666 |

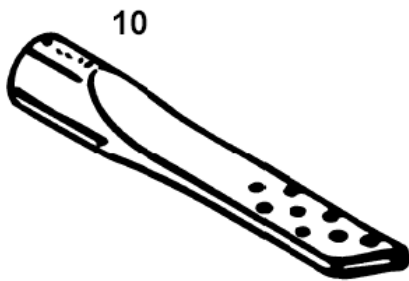
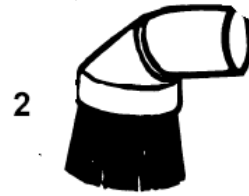
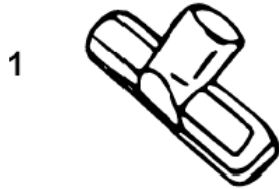
Nozzles, special consumer

GD 2000-Commercial

25-05-2009

Part List ID
B46315

15



Nozzles, special consumer

GD 2000-Commercial

25-05-2009

Part List ID

B46315

16

| Pos | Part no. | Qty | Description | EAN |
|-----|--------------|-----|-----------------------------|------------|
| 1 | 32043700 | 1 | UPHOLSTERY NOZZLE | 5715492002 |
| 2 | 11276901 | 1 | BRUSH ROUND GREY 100 NATU | 5715492005 |
| 2 | 11276901 | 1 | BRUSH ROUND GREY 100 NATU | 5715492005 |
| 2 | 22103600 | 1 | ROUND BRUSH BLUE BRISTLES | 5715492002 |
| 10 | 81530400 | 1 | CREVICE NOZZLE WIDTH 245 MM | 7319519604 |
| 11 | 11530500 | 1 | RADIATORBØRSTE | |
| 12 | 81140900 | 1 | CREVICE NOZZLE KIT | 7319519658 |
| 13 | 010 3098 500 | 1 | CREVICE NOZZLE | 7319519629 |
| 14 | 011 3104 500 | 1 | SMALL COMBI NOZZLE | 7319519629 |