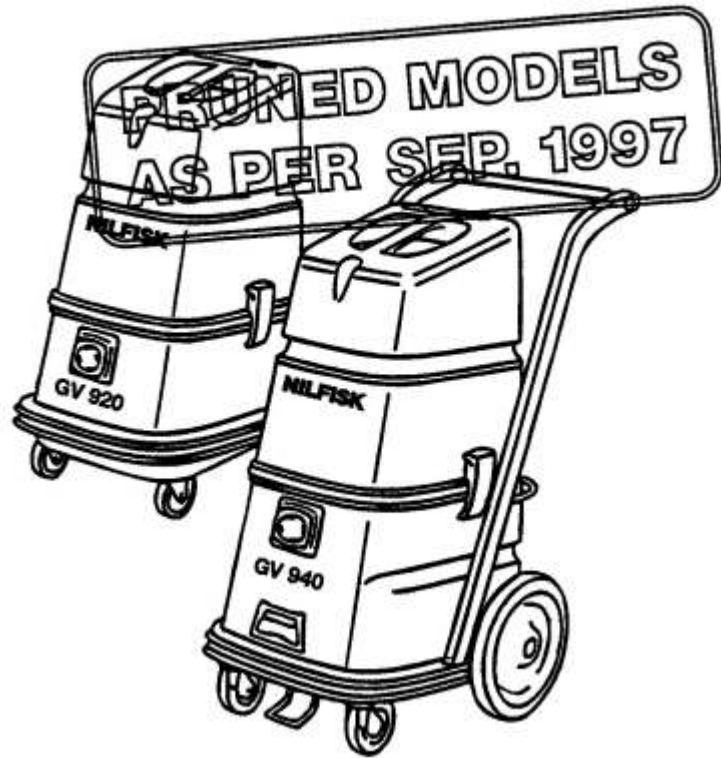


GV 920/ 940

Model:
GV 920
GV 940



Part List US-English

10-05-2011

Table of Contents

GV 920/940

INLET/COUPLING/VERSUS MODEL-OVERVIEW	3
HOSES CONNECTION DIAGRAM GS COUPLING 38MM	5
FAN PARTS GV 920 / 940	7
MOTOR PARTS GV 920 / 940	9
ELECTRICAL DIAGRAM	11
GV 920 AND GV 940 UPPER PART / WET/DRY MODELS	13
GV 920/940 FILTER PARTS	15
GV 920 AND GV 940 CONTAINER SPARE PARTS	17
GV 920 AND GV 940 TROLLEY SPARE PARTS	19
Nozzles 38 mm	21

INLET/COUPLING/VERSUS MODEL-OVERVIEW















10-05-2011

Part List ID

97820HP1

GV 920/ 940

3

Inlet/coupling/ versus Model																			
	GB 1033	GB 933	GB 833	GB 733	GB 826	GB 726	GB 725	GM 626	GM 625	GS/GM 83	GS/GM 82	GS/GM 81	GA 70	GV 920/940	IW 2050	IW 1040	GW 1020/1030	GV 21	GT 31
100mm p. 2	■	■																	
70mm p. 4			■							■									
50mm p. 5			■	■	■	■	■	■	■	■	■				■				
38mm steel/brass p. 7																		■	■
38mm GD p. 9																■	■		
38mm GS p. 10											■		■						
38mm Push-pull p. 11												■	■						

INLET/COUPLING/VERSUS MODEL-OVERVIEW

GV 920/ 940

10-05-2011

Part List ID

97820HP1

4

Pos	Part no.	Qty	Description	EAN
0		0	NOTE COMMENT	5701715456
			See part list with nozzle	

HOSES CONNECTION DIAGRAM GS COUPLING 38

GV 920/ 940

10-05-2011

Part List ID 97820HP10

5

Inlet 38mm GS-coupling

GV 920/
940



GS/GM 81



Hoses

38mm hoses with plast GS coupling and curved 38mm steel tube

1		2m	3m	5m	10m
Plastic, non-conductive	-	11918000	-	-	-
Rubber	-	11573600	11573700	-	-

2		21800700	21800900	12255200	12255600
Plastic, non-conductive	-	11574000	11574100	-	-
Rubber	-	-	-	-	-

38/32mm hoses with plast GS coupling and curved 32mm steel tube

3		2m
Plastic, non-conductive	-	12097500
Rubber	-	-

4		12097600
Plastic, non-conductive	-	-
Rubber	-	-

Tubes

38mm Curved tube
stainless steel
71917000

38mm curved tube
steel
10944000

32mm steel curved tube
21112600

12 38mm straight tube
630mm, stainless steel
11916000

8 Extension tube, 200mm
11182500

9 Extension tube, 560mm
11112400
11112401

10 Telescopic tube, 1130mm
81906600

11 Aluminium tube, 1000mm
11262400

See nozzles
for
38mm

See nozzles
for
32mm

HOSES CONNECTION DIAGRAM GS COUPLING 38

GV 920/ 940

10-05-2011

Part List ID

97820HP10

6

Pos	Part no.	Qty	Description	EAN
1	11573600	1	SE 38/2M RUBBER COMPLETE.GS	5715492019
1	11573700	1	HOSE 38/3M RUBBER COMPLETE.GS	5715492019
1	11918000	1	HOSE 38/3M PLAST.GS+PIPE	5715492020
2	11574000	1	HOSE 38/2M RUBBER GS+SLEEVE	5715492019
2	11574100	1	HOSE 38/3M RUBBER GS+SLEEVE	5715492019
2	12255200	1	HOSE 38/5M PLAST. GS+SLEEVE	5715492020
2	12255600	1	HOSE 38/10M PL GS + NOZZLE	5715492020
2	21800700	1	HOSE 38/2M PLAST. GS+SLEEVE	5715492020
2	21800900	1	HOSE 38/3M PLAST. GS+SLEEVE	5715492020
5	71917000	1	SS BENT JUNCTION D38	5711141089
6	10944000	1	BENT JUNCTION D38	5711141088
7	107402630	1	TUBE BENT END D32 STEEL KIT	7319519682
8	11182500	1	PIPE	5715492012
9	11112401	1	EXTENSION TUBE CPL.	5715492003
10	81906500	1	TUBE TELESC.LENGTH MAX 1130 MM	5715492011
11	11262400	1	PIPE 32MM X 1M ALU	
12	11916000	1	SS TUBE 630MM	5715492020
13	11183000	1	FITTING WITH REDUCTION D38	

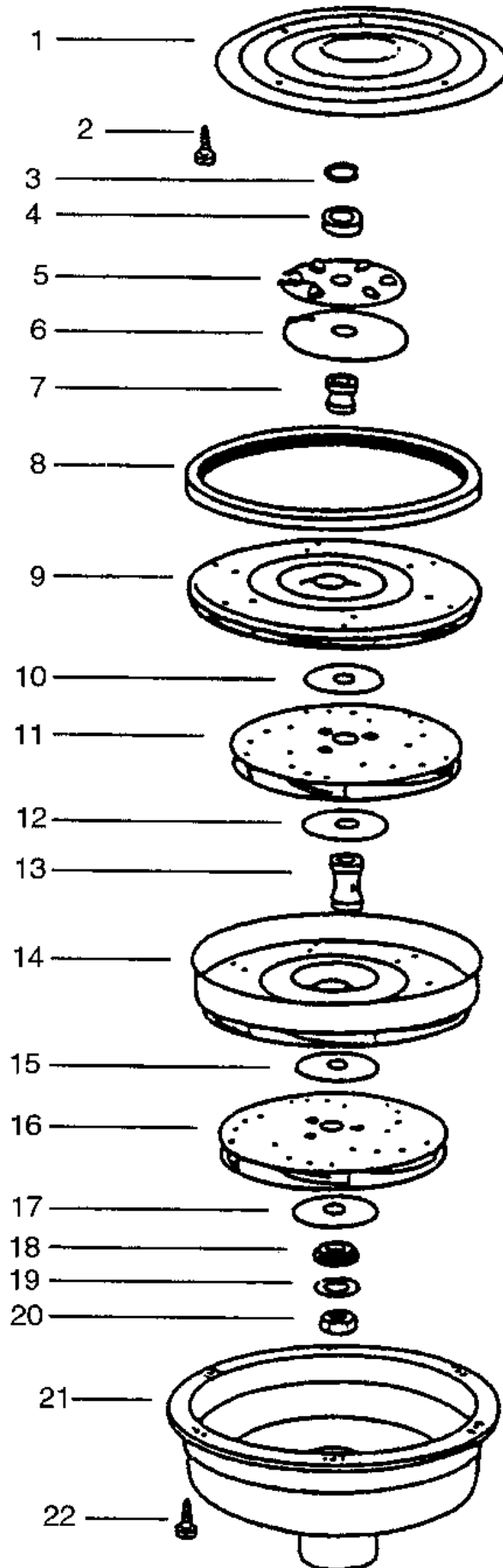
FAN PARTS GV 920 / 940

GV 920/ 940

10-05-2011

Part List ID
GX4332

7



FAN PARTS GV 920 / 940

GV 920/ 940

10-05-2011

Part List ID

GX4332

8

Pos	Part no.	Qty	Description	EAN
2	81730600	6	SKRUE KB40X12 EJOT RUSTFR	
3	81254700	1	RING	
4	71254800	1	STOPRING	
5	71300600	1	LØBEHJUL	
6	71300700	1	PLADE	
7	71300500	1	BØSNING	
8	81302400	1	SEAL	
9	21945500	1	ØV.LEDEHJUL KPL.	
10	71255000	1	STYRESKIVE	
11	21945400	1	LØBEHJUL GV. Ø130	
12	71255000	1	STYRESKIVE	
13	71254900	1	BØSNING	
14	21945600	1	NED.LEDEHJUL KPL.	
15	71255000	1	STYRESKIVE	
16	21945400	1	LØBEHJUL GV. Ø130	
17	71255000	1	STYRESKIVE	
19	81180700	1	FJEDER	
21	81302201	1	BOWL	
22	81730600	6	SKRUE KB40X12 EJOT RUSTFR	

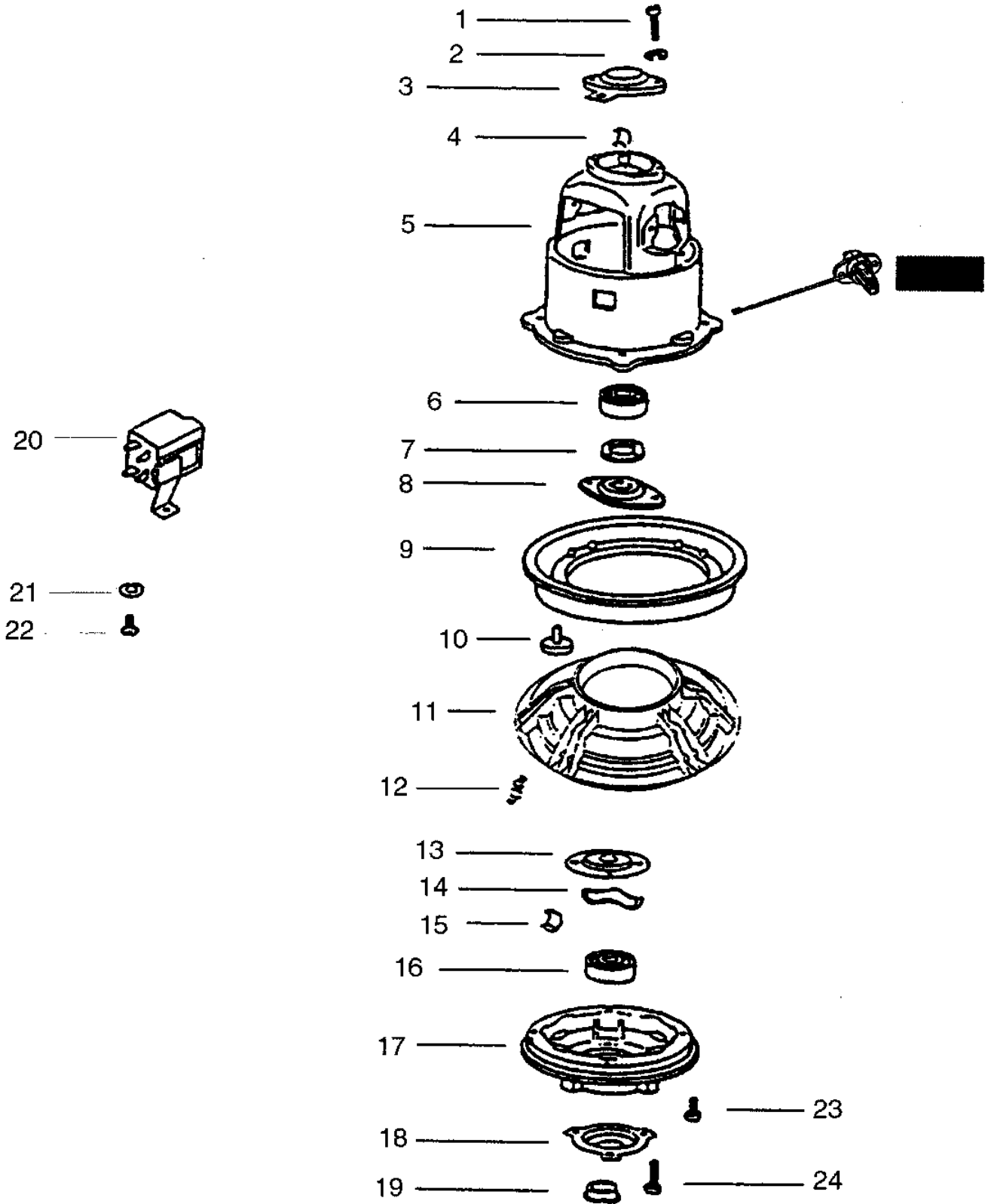
MOTOR PARTS GV 920 / 940

GV 920/ 940

10-05-2011

Part List ID
GX4333

9



MOTOR PARTS GV 920 / 940

GV 920/ 940

10-05-2011

Part List ID

GX4333

10

Pos	Part no.	Qty	Description	EAN
2	80552100	2	SPRING WASHER M4	
4	81437900	2	FJEDERELEMENT	
6	80731501	1	KUGLELEJE	
12	81878501	3	VIBRATION DAMPER	
14	81404401	1	FJEDER	
15	81437900	2	FJEDERELEMENT	
16	80731501	1	KUGLELEJE	
19	81251400	1	DISC	
20	81717200	1	KONDENSA TOR	
21	80552100	1	SPRING WASHER M4	
22	81541200	1	SCREW M4X6 PAN HEAD	5715492023
23	81907200	4	SCREW M4X12 PANH TORX	

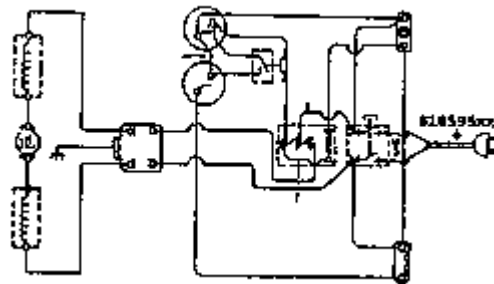
ELECTRICAL DIAGRAM

GV 920/ 940

10-05-2011

Part List ID
GX4334

11



ELECTRICAL DIAGRAM

GV 920/ 940

10-05-2011

Part List ID

GX4334

12

GV 920 AND GV 940 UPPER PART / WET/DRY MOD

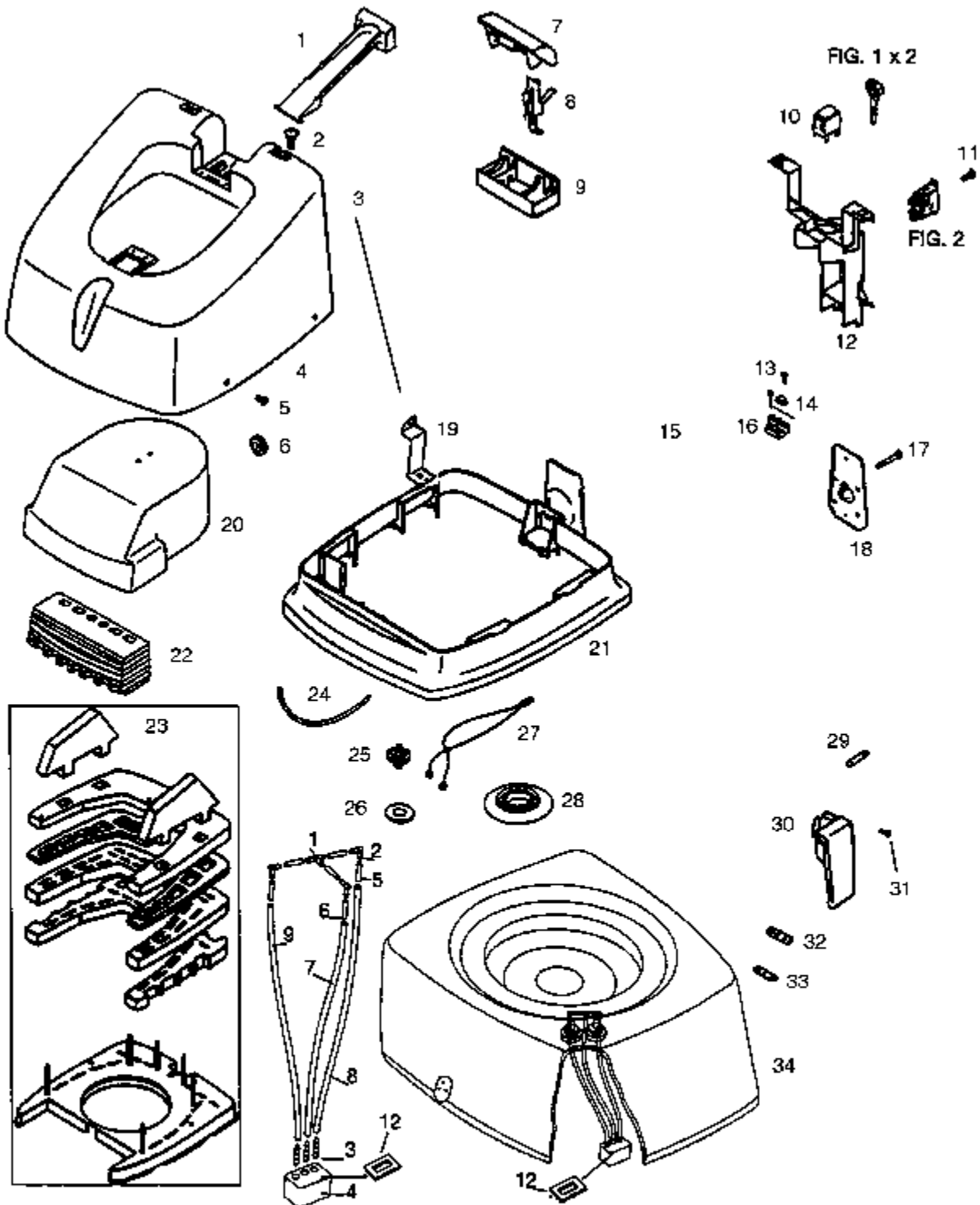
10-05-2011

Part List ID

GX4335

13

GV 920/ 940



See page
1 D 14

Tube and fitting kit:
Item 1 to 12 incl.

GV 920 AND GV 940 UPPER PART / WET/DRY MOD

10-05-2011

Part List ID

GX4335

GV 920/ 940

14

Pos	Part no.	Qty	Description	EAN
1	81872301	1	HANDLE F.MOTOR COVER	
2	81776501	4	SKRUE KB40X12	
4	51872201	1	MOTORKAPPE	
5	81776700	4	SKRUE	
7	81873601	1	START/STOP KNAP	
8	81871200	1	KONTAKTARM	
9	81873700	1	INSERT F.BUTTON	
10	81776300	1	2 POLED SWITCH	
12	81878201	1	KONTAKTBRO	
19	71919900	4	Z-BESLAG	
21	81871901	1	EXHAUST PART	
22	81777700	1	SOUND INSUL. RADIATOR COVER	
23	51949500	1	SILENCER SET	
25	81775901	2	PRESSOSTAT	
26	81875600	2	PAKNING F.PRESSOSTAT	
27	81859800	1	THERMO RELAY	
28	81871700	1	GASKET F.TURBINE SHELL	
29	71615400	2	NUT PLATE	
30	51918700	2	LUKKER	
31	81923500	5	PANHOVEDSKRUE M4X8	
33	71774400	4	BAJONETSKINNE	
34	71870201	1	MOTOR MOUNTING	

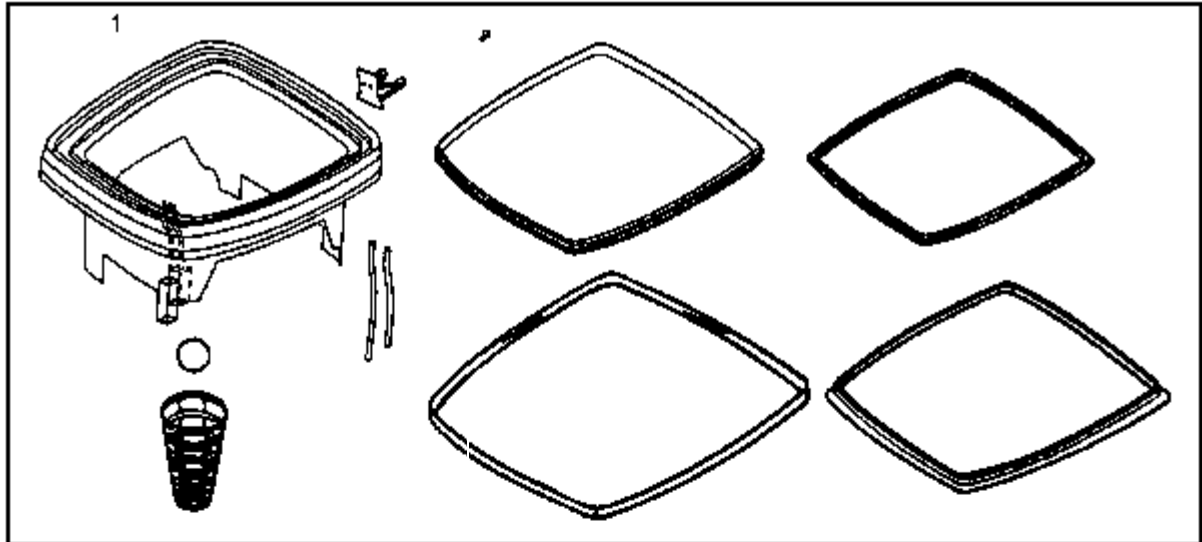
GV 920/940 FILTER PARTS

10-05-2011

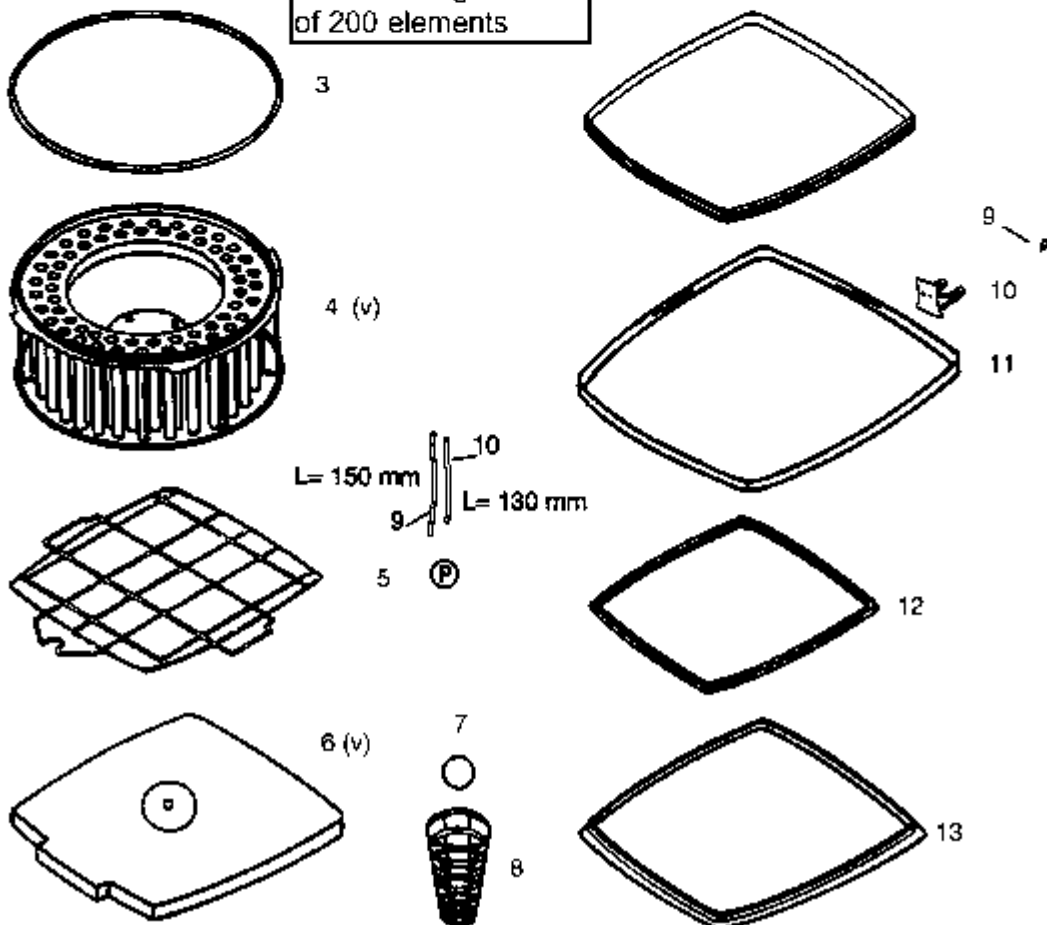
Part List ID
GX4336

GV 920/940

15



2
Candle elements for
the main filter.
Min. ordering carton
of 200 elements



GV 920/940 FILTER PARTS

GV 920/ 940

10-05-2011

Part List ID

GX4336

16

Pos	Part no.	Qty	Description	EAN
1	71949900	1	FILTERSKØRT KOMPL.	5715492019
2	81870501	1	FILTER ELEMENT	
3	21949800	1	FILTERENHED	5715492014
4	21949800	1	FILTERENHED	5715492014
5	81933800	1	WIRE FRAME	
6	52098000	1	FORFILTER KOMP. GV920/940	
7	71949900	1	FILTERSKØRT KOMPL.	5715492019
8	71949900	1	FILTERSKØRT KOMPL.	5715492019
12	81949300	1	PAKNING F.FILTERSKØRT	
13	81949200	1	PAKNING F.BEHOLDER	

GV 920 AND GV 940 CONTAINER SPARE PARTS

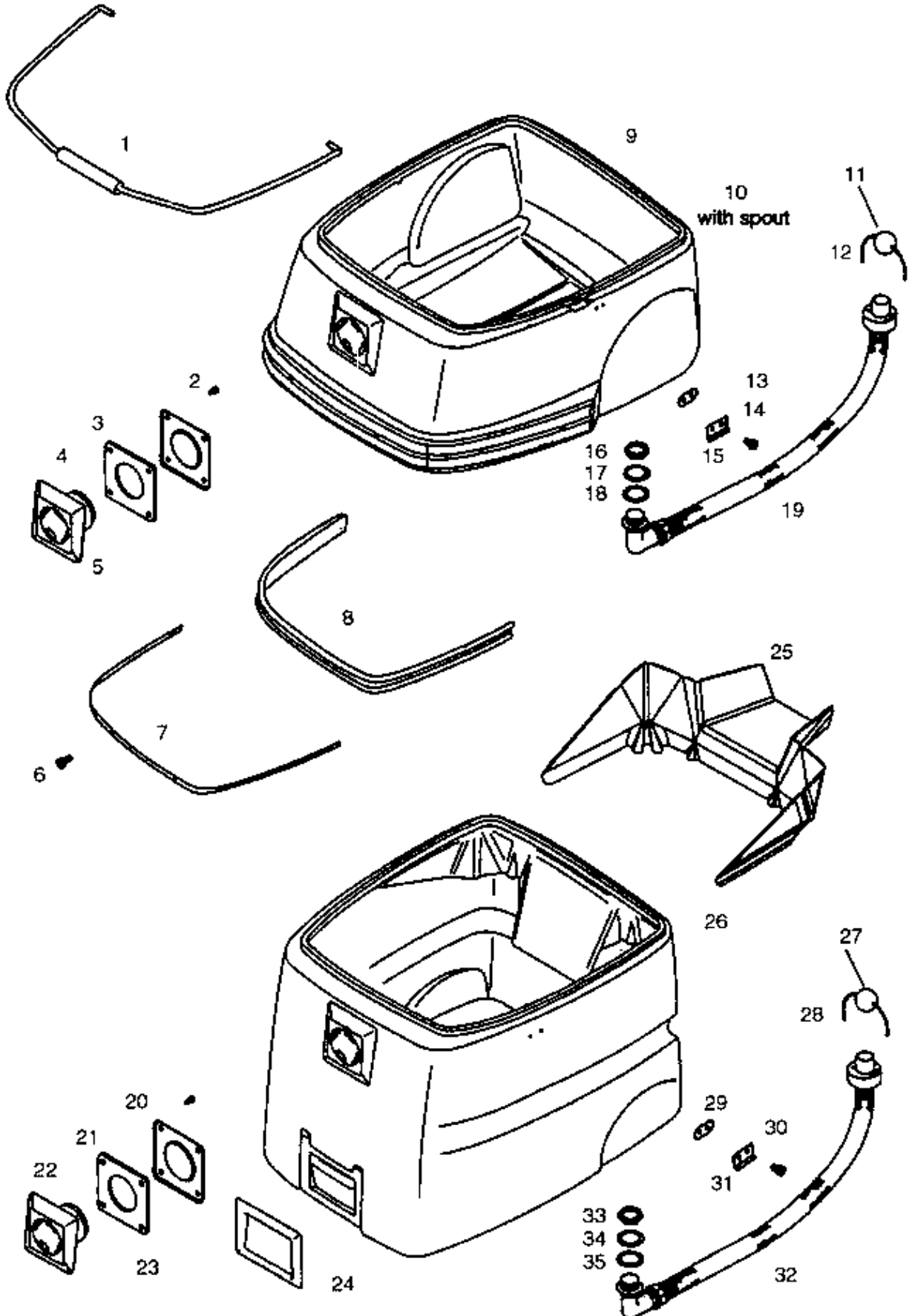
10-05-2011

Part List ID
GX4337

GV 920/940

17

For GV 920



GV 920 AND GV 940 CONTAINER SPARE PARTS

10-05-2011

Part List ID

GX4337

GV 920/ 940

18

Pos	Part no.	Qty	Description	EAN
1	81662500	4	TOP NUT M5	
2	21949800	4	FILTERENHED	5715492014
3	71876301	1	BAGPLADE	
5	81874801	1	INDSUGNINGSKOBLING	
10	51946800	1	CONTAINER WITH POURING LIP	
11	81938500	1	BALL	
12	81938400	1	GUMMISNOR	
13	71364200	2	CLAMP PLATE	
14	71918600	2	LUKKEHAGE	
15	81950600	4	SKRUE M4X12	
16	81913700	1	MØTRIK PG 21	
17	81948100	1	SKIVE	
18	81938200	1	RUBBER SEAL	
19	81938301	1	TØMMESLANGE 400MM	
20	21949800	4	FILTERENHED	5715492014
21	71876301	1	BAGPLADE	
23	81874801	1	INDSUGNINGSKOBLING	
27	81938500	1	BALL	
28	81938400	1	GUMMISNOR	
29	71364200	2	CLAMP PLATE	
30	71918600	2	LUKKEHAGE	
31	81950600	4	SKRUE M4X12	
32	81938300	1	DRAIN HOSE 560M GV 940	
33	81913700	1	MØTRIK PG 21	
34	81948100	1	SKIVE	
35	81938200	1	RUBBER SEAL	

GV 920 AND GV 940 TROLLEY SPARE PARTS

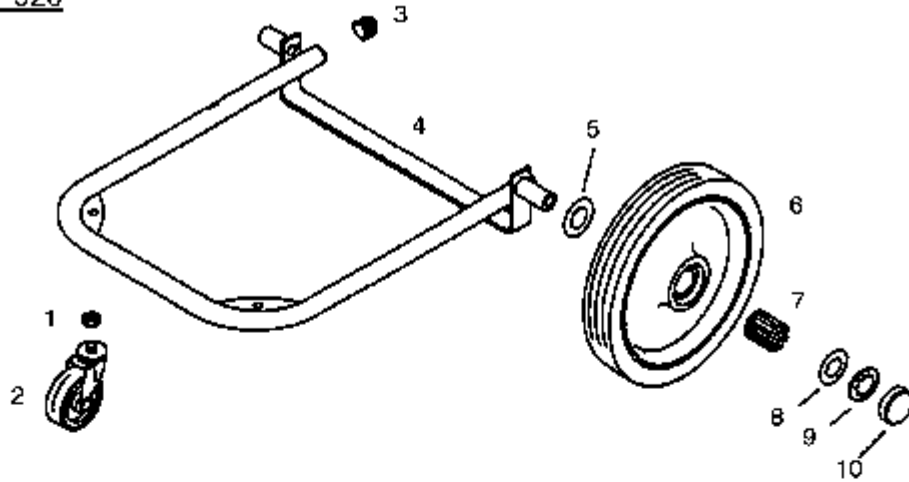
10-05-2011

Part List ID
GX4338

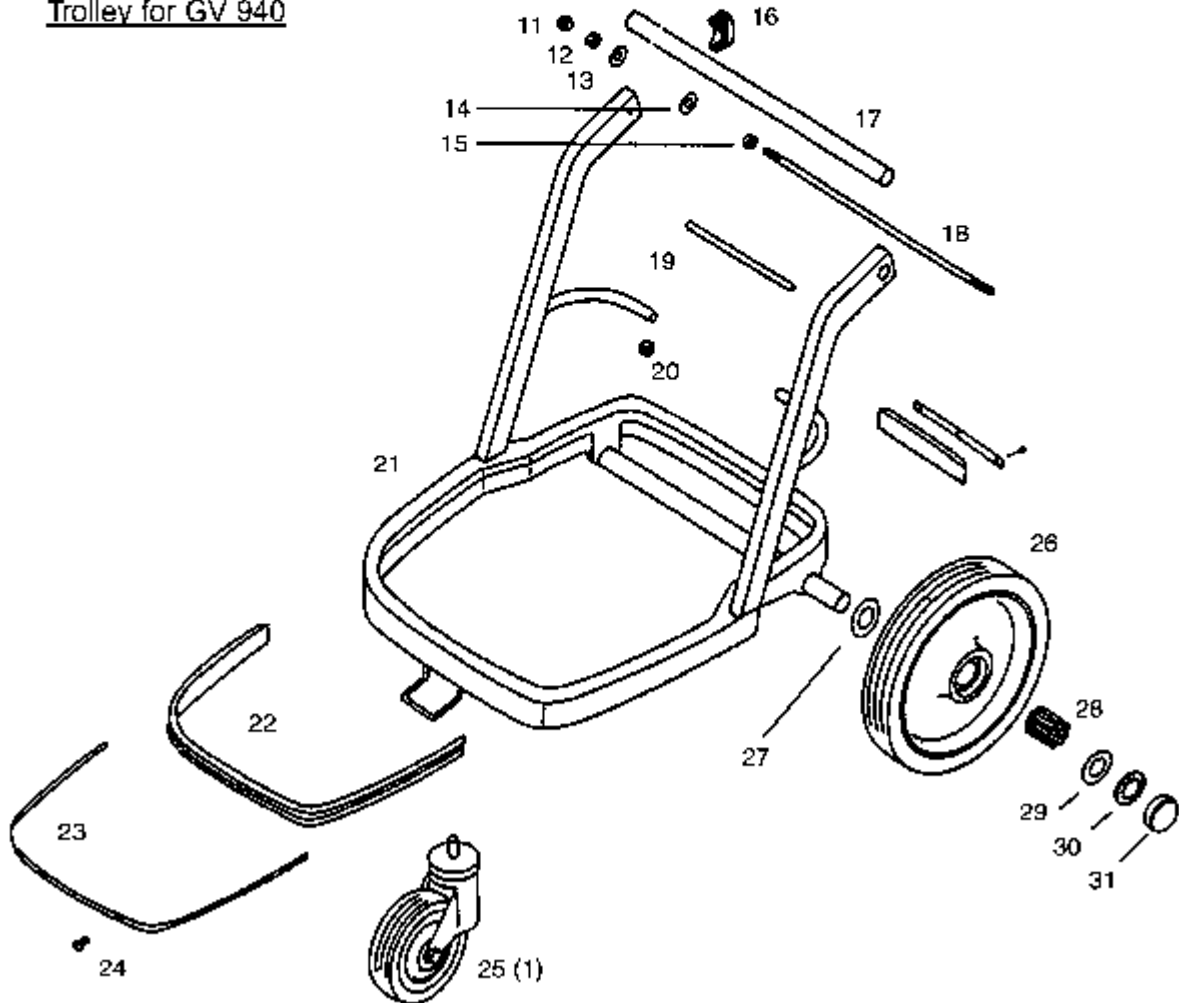
19

GV 920/ 940

Trolley for GV 920



Trolley for GV 940



GV 920 AND GV 940 TROLLEY SPARE PARTS

10-05-2011

Part List ID

GX4338

GV 920/ 940

20

Pos	Part no.	Qty	Description	EAN
2	81874001	2	DREJEHJUL F/GV920	
5	71776801	2	SKIVE	
6	81933100	2	BAGHJUL	
7	81933300	2	RULLELEJE	
8	71776801	2	SKIVE	
9	81776901	2	WHEEL LOCK RING GV940	
10	81933200	2	KAPSEL	
12	81350500	2	NUT	Machine outphased 2007 5711141075
15	81156500	2	NUT M8	
17	81873301	1	HANDLE SUPPORT GV940	
18	81873301	1	HANDLE SUPPORT GV940	
25	81873101	1	FORHJUL F/GV940	
26	81933100	2	BAGHJUL	
27	71776801	2	SKIVE	
28	81933300	2	RULLELEJE	
29	71776801	2	SKIVE	
30	81776901	2	WHEEL LOCK RING GV940	
31	81933200	2	KAPSEL	

Nozzles 38 mm

GV 920/ 940

10-05-2011

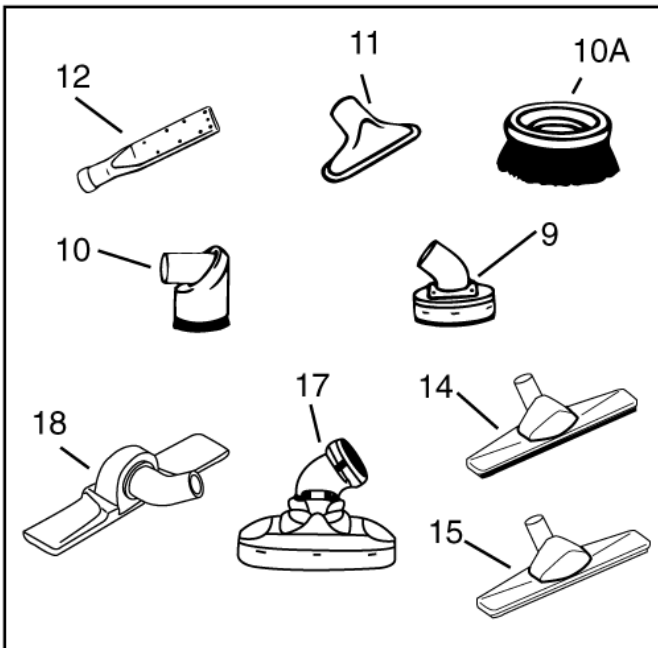
Part List ID

HOSE15

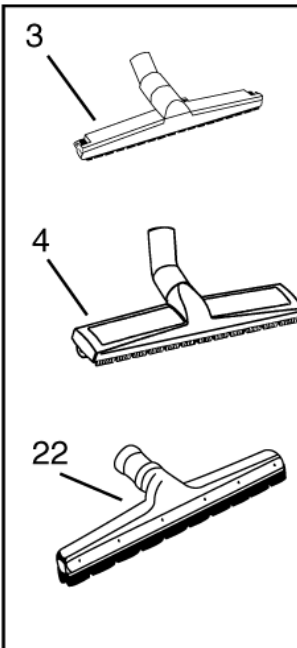
21

See hoses con-
nection diagram
for 38mm

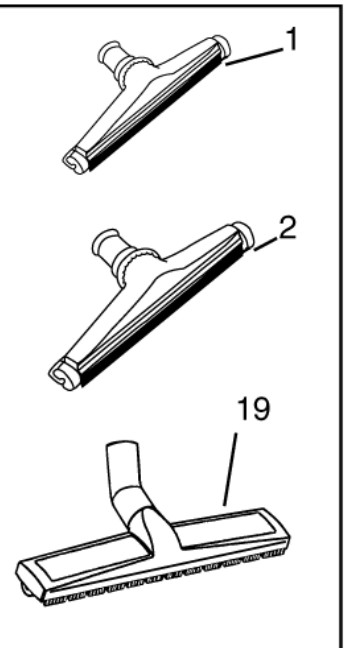
Brushes & nozzles



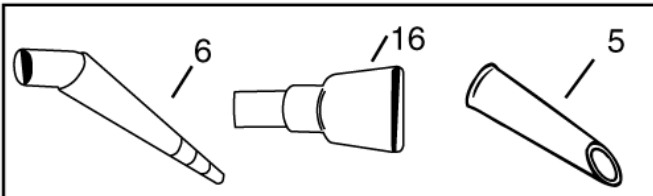
Wet pick-up



Wheeled floor nozzle



Cones



Wood/plastic
blades

26



Plastic/Lips

26 A



Wood/brush

25



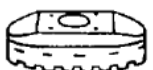
Plastic/Brush

25 A



Wood/plastic
blades

24



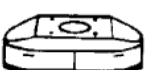
Plastic/Lips

24 A



Wood/brush

28



Plastic/Brush

28 A



23



30



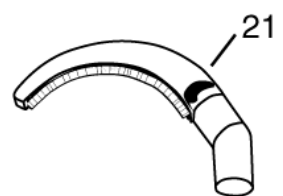
31



32



33

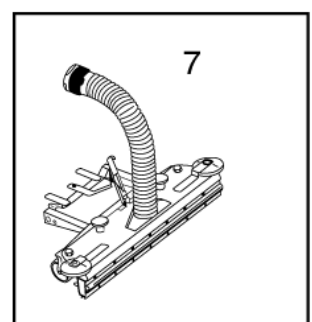


21



20

Fixed floor nozzle



7

Nozzles 38 mm

GV 920/ 940

10-05-2011

Part List ID
HOSE15

22

Pos	Part no.	Qty	Description	EAN
1	140 3816 020	1	NOZZLE W/BRISTLES F/38MM	7319519376
2	10947300	1	GULVMUNDSTYKKE	5715492015
3	140 3816 020	1	NOZZLE W/BRISTLES F/38MM	7319519376
3	82168000	1	FLOOR NOZZLE D38 X IW	5711141090
4	12126700	1	LIQUID NOZZLE D38	5711141000
5	80956200	1	RUBBER CONDE D38	5711141075
5	L02956200	1	CONE D38	5711141090
6	82167900	1	CONIC ACC D38 X IW	5711141090
9	10989000	1	NOZZLE BRUSH 38MM 100	5715492015
10	10950200	1	ROUND BRUSH BLACK FOR 38MM BRUSH 70M	5715492012
10	10950201	1	ROUND BRUSH RED FOR 38MM BRUSH 70M	5715492014
10	10950202	1	ROUND BRUSH GREEN FOR 38MM BRUSH 70M	5715492014
10	10950203	1	ROUND BRUSH BLUE FOR 38MM BRUSH 70M	5715492014
10	10950204	1	ROUND BRUSH WHITE FOR 38MM BRUSH 70M	5715492029
10	10950205	1	ROUND BRUSH YELLOW FOR 38MM BRUSH 70M	5715492029
10	12422500	1	ROUND BRUSH NATURAL BRISTLES 70MM F/ 38	5715492024
11	70945300	1	NOZZLE	
12	10949500	1	STEEL FLAT LANCE D38	5711141000
14	11476101	1	BRUSH D38 MM400	5711141088
15	11476000	1	CARPET NZL 38 X 400MM	5711141088
16	82169700	1	FLAT NOZZLE D38 X IW	5711141090
17	11346800	1	FLOOR NOZZ. 38MM 150MM WOOD	5715492015
17	11346900	1	FLOOR NOZZ. 38MM 220MM WOOD	5715492015
17	11347000	1	FLOOR NOZZ. 38MM 300MM WOOD	5715492012
18	L00396349	1	FRENCH FLOOR NOZZLE HARD	
19	12126800	1	HARD FLOOR NOZZ.	
20	82191000	1	BENT BRUSH D38	
21	82191200	1	BENT BRUSH D38	
22	11339500	1	NOZZLE 38/400 ALU.	5715492015
23	10957400	1	SWIVEL SOCKET 38MM	5715492015
23	10957411	1	SWIVEL SOCKET 38MM ST. STEEL	5715492028
24	10651400	1	MUNDSTYKKE 300MM OVAL	
25	10657900	1	MUNDSTYKKE T.RØR 400MM ½	5715492015
25	10661600	1	MUNDSTYKKE T.RØR 200MM	5715492015
25	10663400	1	MUNDSTYKKE T.RØR 300MM	5715492015
25	10666400	1	MUNDSTYKKE T.RØR 600MM ½	5715492015
25	10669800	1	MUNDSTYKKE T.RØR 100MM	5715492015
26	10674600	1	MUNDSTYKKE T.RØR 100MM ½	
26	10674700	1	MUNDSTYKKE T.RØR 200MM ½	
26	10674800	1	MUNDSTYKKE T RØR 300MM ½	
26	10674900	1	MUNDSTYKKE T.RØR 400MM ½	

Nozzles 38 mm

GV 920/ 940

10-05-2011

Part List ID HOSE15

23

Pos	Part no.	Qty	Description	EAN
26	10675000	1	MUNDSTYKKE T.RØR 600MM ½	
27	10647500	1	MUNDSTYKKE	
28	10647300	1	base FLOOR NOZZ. 150MM WOOD	5715492015
28	10651500	1	base FLOOR NOZZ. 220MM WOOD	5715492015
28	10651600	1	base FLOOR NOZZ. 300MM WOOD	5715492015
30	22430101	1	NOZZLE LIPS 38MM ST. STEEL FOR PIPE 100M	5715492026
30	22430102	1	NOZZLE LIPS 38MM FE/ZN FOR PIPE 100MM BL	5715492026
30	22430103	1	NOZZLE LIPS 38MM ST. STEEL FOR PIPE 100M	5715492026
30	22430104	1	NOZZLE LIPS 38MM ST. STEEL FOR PIPE 100M	5715492026
30	22430105	1	NOZZLE LIPS 38MM ST. STEEL FOR PIPE 100M	5715492026
30	22430106	1	NOZZLE LIPS 38MM ST. STEEL FOR PIPE 100M	5715492026
30	22430107	1	NOZZLE LIPS 38MM ST. STEEL FOR PIPE 100M	5715492026
30	22430201	1	NOZZLE LIPS 38MM ST. STEEL FOR PIPE 200M	5715492026
30	22430202	1	NOZZLE LIPS 38MM FE/ZN FOR PIPE 200MM BL	5715492026
30	22430203	1	NOZZLE LIPS 38MM ST. STEEL FOR PIPE 200M	5715492026
30	22430204	1	NOZZLE LIPS 38MM ST. STEEL FOR PIPE 200M	5715492026
30	22430205	1	NOZZLE LIPS 38MM ST. STEEL FOR PIPE 200M	5715492026
30	22430206	1	NOZZLE LIPS 38MM ST. STEEL FOR PIPE 200M	5715492026
30	22430207	1	NOZZLE LIPS 38MM ST. STEEL FOR PIPE 200M	5715492026
30	22430301	1	NOZZLE LIPS 38MM ST. STEEL FOR PIPE 100M	5715492026
30	22430302	1	NOZZLE LIPS 38MM FE/ZN FOR PIPE 300MM BL	5715492026
30	22430303	1	NOZZLE LIPS 38MM ST. STEEL FOR PIPE 300M	5715492026
30	22430304	1	NOZZLE LIPS 38MM ST. STEEL FOR PIPE 300M	5715492026
30	22430305	1	NOZZLE LIPS 38MM ST. STEEL FOR PIPE 300M	5715492026
30	22430306	1	NOZZLE LIPS 38MM ST. STEEL FOR PIPE 300M	5715492026
30	22430307	1	NOZZLE LIPS 38MM ST. STEEL FOR PIPE 300M	5715492026
31	22430900	1	NOZZLE BRUSH 38MM FE/ZN FOR PIPE 100MM G	5715492027
31	22430901	1	NOZZLE BRUSH 38MM ST. STEEL FOR PIPE 100	5715492027
31	22430902	1	NOZZLE BRUSH 38MM FE/ZN FOR PIPE 100MM B	5715492027
31	22430904	1	NOZZLE BRUSH 38MM ST. STEEL FOR PIPE 100	5715492028
31	22430905	1	NOZZLE BRUSH 38MM ST. STEEL FOR PIPE 100	5715492028
31	22430906	1	NOZZLE BRUSH 38MM ST. STEEL FOR PIPE 100	5715492028
31	22430907	1	NOZZLE BRUSH 38MM ST. STEEL FOR PIPE 100	5715492028
31	22431000	1	NOZZLE BRUSH 38MM FE/ZN FOR PIPE 200MM G	5715492027
31	22431001	1	NOZZLE BRUSH 38MM ST. STEEL FOR PIPE 200	5715492027
31	22431002	1	NOZZLE BRUSH 38MM FE/ZN FOR PIPE 200MM B	5715492027
31	22431004	1	NOZZLE BRUSH 38MM ST. STEEL FOR PIPE 200	5715492028
31	22431005	1	NOZZLE BRUSH 38MM ST. STEEL FOR PIPE 200	5715492028
31	22431006	1	NOZZLE BRUSH 38MM ST. STEEL FOR PIPE 200	5715492028
31	22431007	1	NOZZLE BRUSH 38MM ST. STEEL FOR PIPE 200	5715492028
31	22431100	1	NOZZLE BRUSH 38MM FE/ZN FOR PIPE 300MM G	5715492027

Nozzles 38 mm

GV 920/ 940

10-05-2011

Part List ID HOSE15

24

Pos	Part no.	Qty	Description	EAN
31	22431101	1	NOZZLE BRUSH 38MM ST. STEEL FOR PIPE 300	5715492027
31	22431102	1	NOZZLE BRUSH 38MM FE/ZN FOR PIPE 300MM B	5715492027
31	22431104	1	NOZZLE BRUSH 38MM ST. STEEL FOR PIPE 300	5715492028
31	22431105	1	NOZZLE BRUSH 38MM ST. STEEL FOR PIPE 300	5715492028
31	22431106	1	NOZZLE BRUSH 38MM ST. STEEL FOR PIPE 300	5715492028
31	22431107	1	NOZZLE BRUSH 38MM ST. STEEL FOR PIPE 300	5715492028
32	22430801	1	NOZZLE LIPS 38MM ST. STEEL FLAT 300MM DA	5715492026
32	22430802	1	NOZZLE LIPS 38MM FE/ZN FLAT 300MM BLACK	5715492027
32	22430803	1	NOZZLE LIPS 38MM ST. STEEL FLAT 300MM WH	5715492027
32	22430804	1	NOZZLE LIPS 38MM ST. STEEL FLAT 300MM YE	5715492027
32	22430805	1	NOZZLE LIPS 38MM ST. STEEL FLAT 300MM RE	5715492027
32	22430806	1	NOZZLE LIPS 38MM ST. STEEL FLAT 300MM GR	5715492027
32	22430807	1	NOZZLE LIPS 38MM ST. STEEL FLAT 300MM BL	5715492027
33	22431600	1	NOZZLE BRUSH 38MM FE/ZN FLAT 300MM GREY	5715492027
33	22431601	1	NOZZLE BRUSH 38MM ST. STEEL FLAT 300MM D	5715492027
33	22431602	1	NOZZLE BRUSH 38MM FE/ZN FLAT 300MM BLACK	5715492027
33	22431604	1	NOZZLE BRUSH 38MM ST. STEEL FLAT 300MM Y	5715492028
33	22431605	1	NOZZLE BRUSH 38MM ST. STEEL FLAT 300MM R	5715492028
33	22431606	1	NOZZLE BRUSH 38MM ST. STEEL FLAT 300MM G	5715492028
33	22431607	1	NOZZLE BRUSH 38MM ST. STEEL FLAT 300MM B	5715492028
10A	80630800	1	ROUND BRUSH RING BLACK 70	5715492021
10A	80630801	1	ROUND BRUSH RING RED 70MM	5715492021
10A	80630802	1	ROUND BRUSH RING GREEN 70MM	5715492021
10A	80630803	1	ROUND BRUSH RING BLUE 70MM	5715492021
10A	80630805	1	ROUND BRUSH RING YELLOW 70MM	5715492029
23A	42430904	1	NOZZLE PART WITH BRUSH YELLOW FOR PIPE C	5715492028
23A	42430905	1	NOZZLE PART WITH BRUSH RED FOR PIPE CLEA	5715492028
23A	42430906	1	NOZZLE PART WITH BRUSH GREEN FOR PIPE CL	5715492028
23A	42430907	1	FLOOR NOZZ PART WITH BRUSH BLUE	5715492028
23A	42431004	1	FLOOR NOZZ PART WITH BRUSH YELLOW	5715492028
23A	42431005	1	FLOOR NOZZ PART WITH BRUSH RED	5715492028
23A	42431006	1	FLOOR NOZZ PART WITH BRUSH GREEN	5715492028
23A	42431007	1	NOZZLE PART WITH BRUSH BLUE FOR PIPE CLE	5715492028
23A	42431104	1	FLOOR NOZZ PART WITH BRUSH YELLOW	5715492028
23A	42431105	1	FLOOR NOZZ PART WITH BRUSH RED	5715492028
23A	42431106	1	FLOOR NOZZ PART WITH BRUSH GREEN	5715492028
23A	42431107	1	FLOOR NOZZ PART WITH BRUSH BLUE	5715492028
24A	32430801	1	FLOOR NOZZ PART WITH RAIL DARK GRE	5715492027
24A	32430802	1	FLOOR NOZZ PART WITH RAIL BLAC	5715492027
24A	32430803	1	NOZZLE PART W.LIPS WHITE FLAT 300MM FDA	5715492027
24A	32430804	1	NOZZLE PART WITH LIPS YELLOW FLAT 300MM	5715492027

Nozzles 38 mm

GV 920/ 940

10-05-2011

Part List ID HOSE15

25

Pos	Part no.	Qty	Description	EAN
24A	32430805	1	NOZZLE WITH LIPS RED (FDA) FLAT 300MM	5715492027
24A	32430806	1	NOZZLE PART WITH LIPS GREEN FLAT 300MM	5715492027
24A	32430807	1	NOZZLE WITH LIPS BLUE (FDA) FLAT 300MM	5715492027
25A	42430900	1	NOZZLE PART WITH BRUSH GREY FOR PIPE CL	5715492027
25A	42430901	1	FLOOR NOZZ PART WITH BRUSH DARK GREY	5715492027
25A	42430902	1	NOZZLE PART WITH BRUSH BLACK FOR PIPE C	5715492027
25A	42431000	1	FLOOR NOZZ PART WITH BRUSH GRE	5715492027
25A	42431001	1	FLOOR NOZZ PART WITH BRUSH DARK GREY	5715492027
25A	42431002	1	NOZZLE PART WITH BRUSH BLACK FOR PIPE C	5715492027
25A	42431100	1	FLOOR NOZZ PART WITH BRUSH GRE	5715492027
25A	42431101	1	FLOOR NOZZ PART WITH BRUSH DARK GREY	5715492027
25A	42431102	1	FL. NOZZ. PART WITH BRUSH BLAC	5715492027
25A	42431604	1	NOZZLE PART WITH BRUSH YELLOW FLAT 300MM	5715492028
25A	42431605	1	FLOOR NOZZ PART WITH BRUSH RED	5715492028
25A	42431606	1	FLOOR NOZZ PART WITH BRUSH GREE	5715492028
25A	42431607	1	FLOOR NOZZ PART WITH BRUSH	5715492028
26A	32430101	1	FLOOR NOZZ PART WITH RAIL DARK GREY	5715492027
26A	32430102	1	FLOOR NOZZ PART WITH RAIL BLACK	5715492027
26A	32430103	1	FLOOR NOZZ PART WITH RAIL WHITE	5715492027
26A	32430104	1	NOZZLE PART WITH LIPS YELLOW FOR PIPE CL	5715492027
26A	32430105	1	FLOOR NOZZ PART WITH RAIL RED	5715492027
26A	32430106	1	FLOOR NOZZ PART WITH RAIL GREEN	5715492027
26A	32430107	1	FLOOR NOZZ PART WITH RAIL BLUE	5715492027
26A	32430201	1	FLOOR NOZZ PART WITH RAIL DARK GREY	5715492027
26A	32430202	1	FLOOR NOZZ. WITH RAIL BLACK ESD	5715492027
26A	32430203	1	FLOOR NOZZ PART WITH RAIL WHITE	5715492027
26A	32430204	1	FLOOR NOZZ PART WITH RAIL YELLOW	5715492027
26A	32430205	1	FLOOR NOZZ PART WITH RAIL RED	5715492027
26A	32430206	1	FLOOR NOZZ PART WITH RAIL GREEN	5715492027
26A	32430207	1	FLOOR NOZZ PART WITH RAIL BLUE	5715492027
26A	32430301	1	FLOOR NOZZ PART WITH RAIL DARK GREY	5715492027
26A	32430302	1	FLOOR NOZZ PART WITH RAIL BLACK	5715492027
26A	32430303	1	FLOOR NOZZ PART WITH RAIL WHITE	5715492027
26A	32430304	1	FLOOR NOZZ PART WITH RAIL YELLOW	5715492027
26A	32430305	1	NOZZLE PART WITH LIPS RED FOR PIPE CLEAN	5715492027
26A	32430306	1	FLOOR NOZZ PART WITH RAIL GREEN	5715492027
26A	32430307	1	FLOOR NOZZ PART WITH RAIL BLUE	5715492027
28A	42431600	1	NOZZLE PART WITH BRUSH GREY FLAT 300M	5711141090
28A	42431601	1	NOZZLE PART WITH BRUSH DARK GREEN FLAT	5715492027
28A	42431602	1	NOZZLE PART W.BRIST.BLACK FLAT 300MM ESD	5715492027