

**IPC Integrated Professional Cleaning**

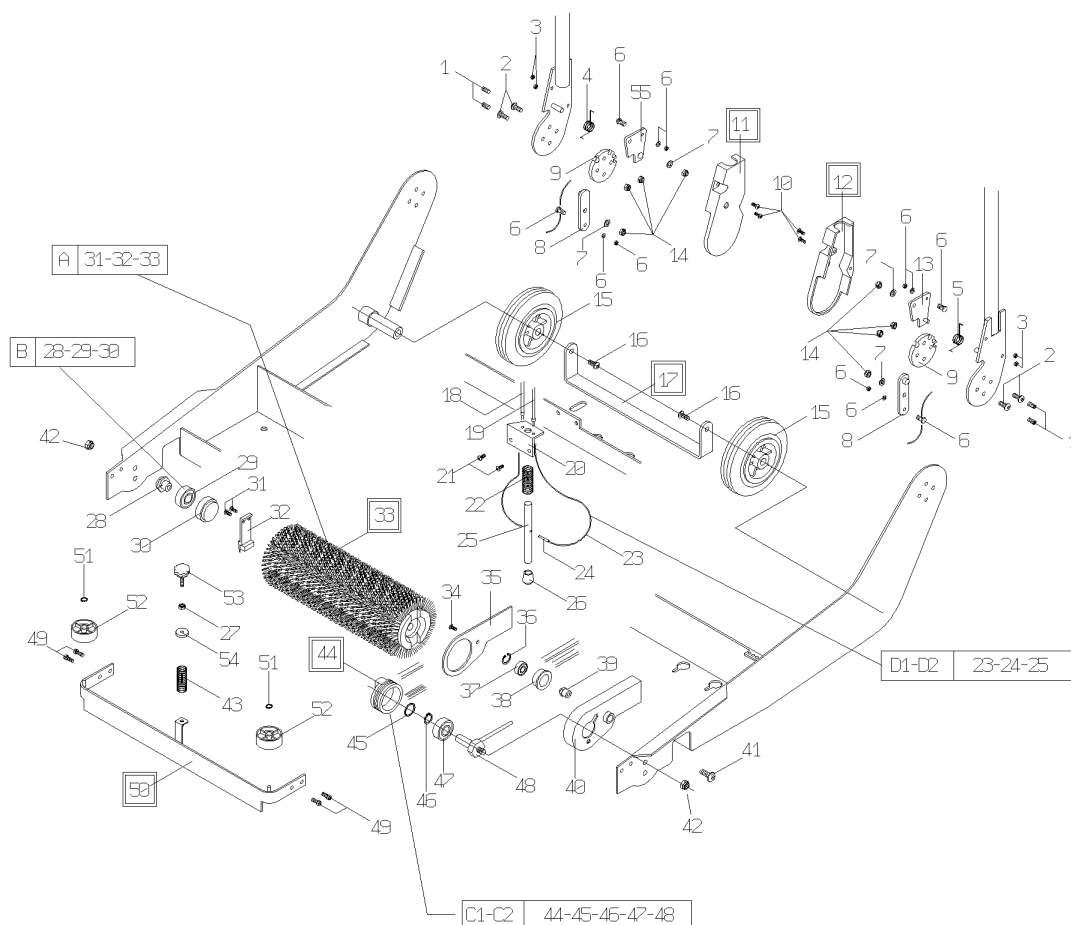
**IPC Gansow**

## Spare Parts List

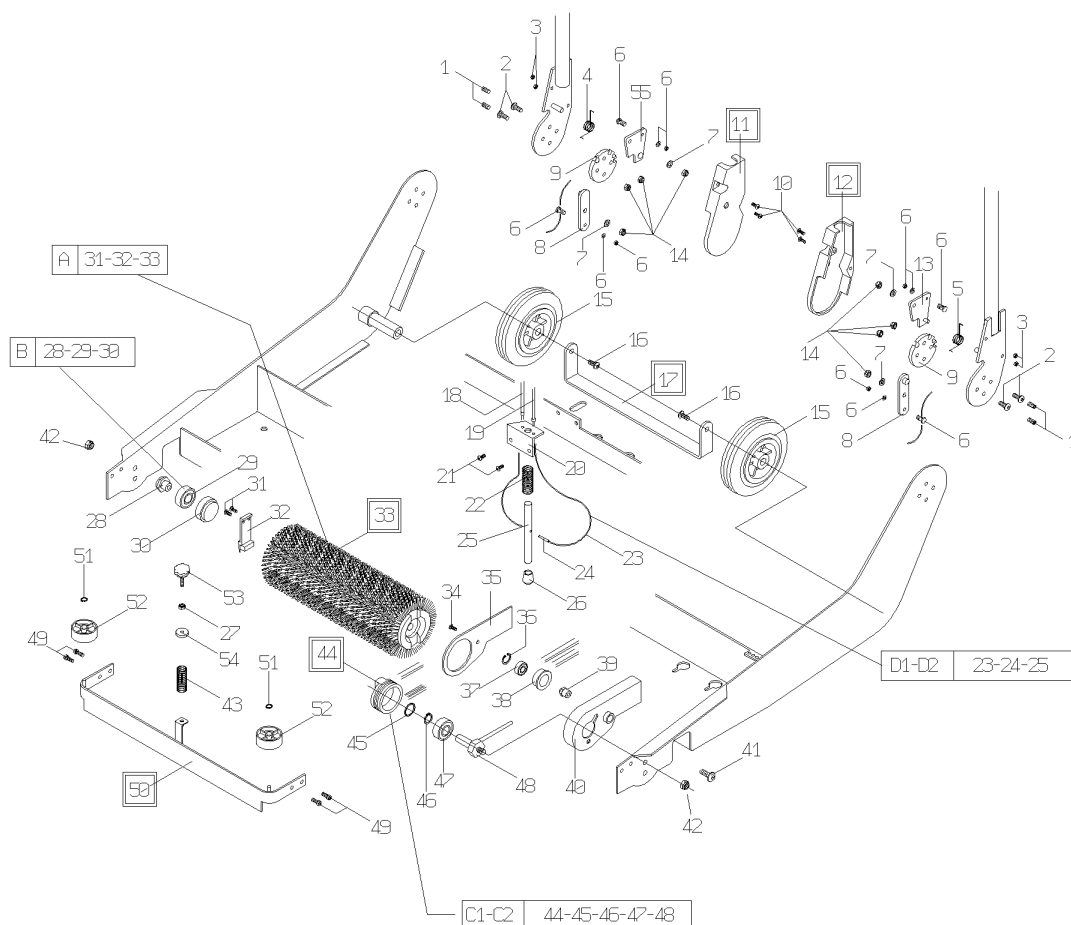
IPC EAGLE

Ref: LPTE00047

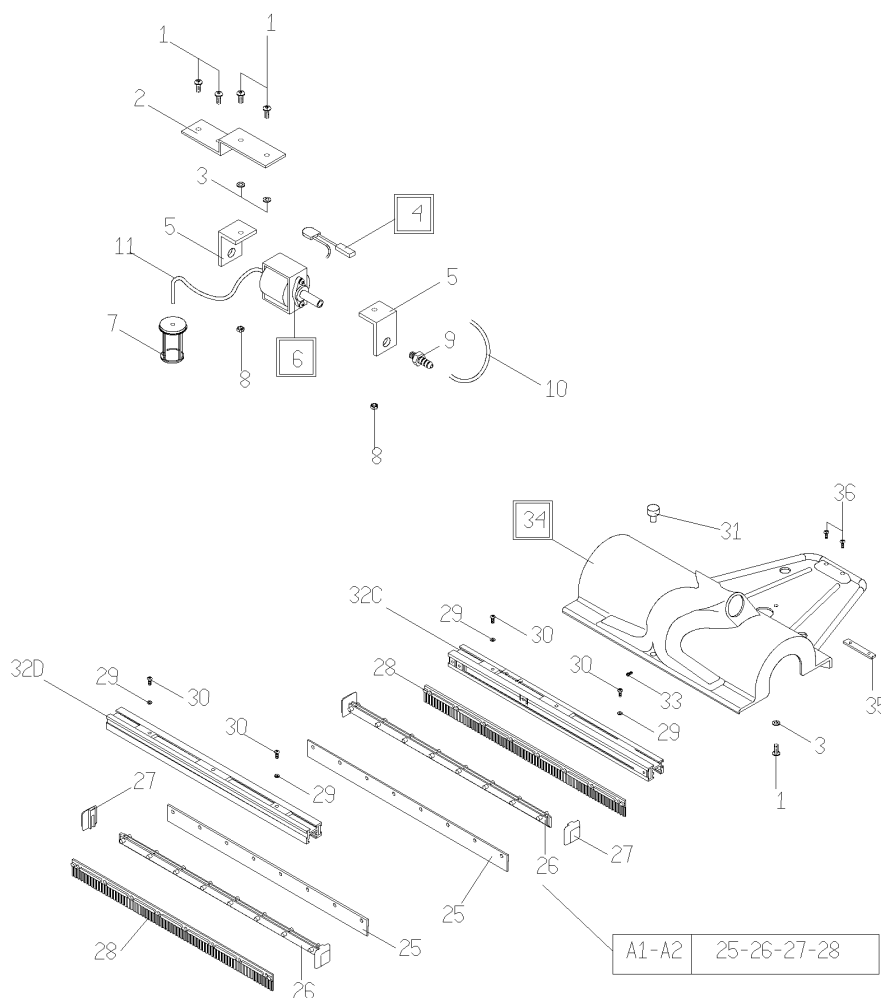
Model: Lavasciuga L15 grigio/nero 110V-60Hz USA



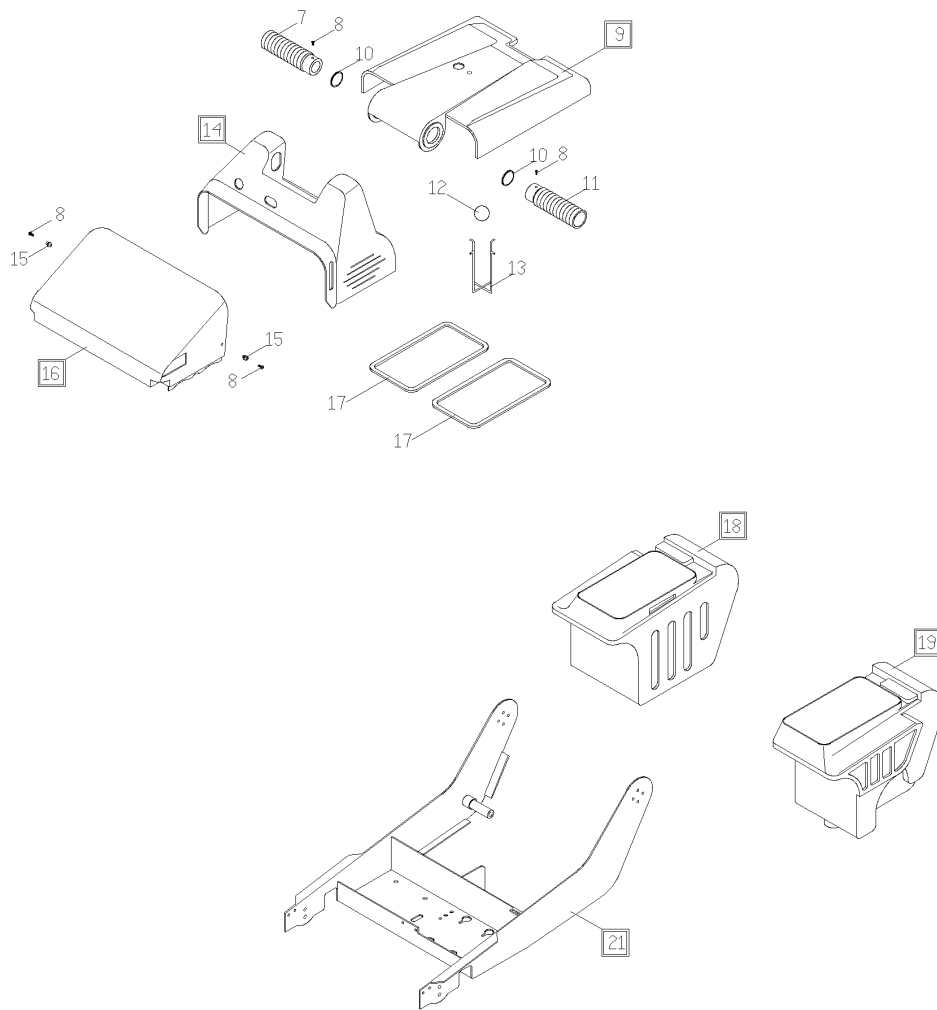
Ref.	K	Part N.	Customer Part N.	Description	Qty	Validity: From To	Price
0001		VTVR00013		ELASTIC PLUG DIN 1481 4X16	4,00		--
0002		VTVT00092		SCREW TBCE ISO 7380 6X22 ZB	4,00		--
0003		VTDD00002		NUT UNI 5588 M4 ZB	4,00		--
0004		MLML75966		SPRING L20 DX	1,00		--
0005		MLML75967		SPRING L20 SX	1,00		--
0006		CMCV85746		CLAMP L 15-20 TK1125027	4,00		--
0007		VTRS86634		WASHER 6X18X1,5 UNI6593	4,00		--
0008		LAFN00365		LEVER SOLLEVAMENTO L15-L20 ZINC	2,00		--
0009		LAFN75914		DISC L15-20	2,00		--
000A		SPPV39127		BRUSH NYL 100 E35 TK	1,00		--
000B		LAFN85962		PIN L 15-20 TK23102021	1,00		--
0010		VTVT00056		SCREW TSCE 4X12 ACCIAIO INOX	4,00		--
0011		MPVR48746		CRANKCASE L.15 DX	1,00		--
0012		MPVR86590		COVER SX L 20 TK21202010	1,00		--
0013		LAFN75956		LEVER L15-20 SX	1,00		--
0014		VTDD00010		NUT AUTOBLOK DIN 985 M6 BASSO	8,00		--
0015		RTRT86564		WHEEL d.150X15 L15/L20	2,00		--
0016		VTVT01109		SCREW TE M 6X 10 ZC. UNI 5739	2,00		--
0017		LAFN85867		SUPPORT L 15 TK22602031	1,00		--
0018		CMCV00041		SHEATH CAVO ASTA SOLLEV.DX L15	1,00		--
0019		CMCV00043		SHEATH CAVO ASTA SOLLEV.SX 730mm	1,00		--
0020		LAFN85861		BRACKET L 15-20 TK22602011	1,00		--
0021		VTVT75725		SCREW TBEI M 6X 10 ISO 7380 ZB	4,00		--
0022		MLML85862		SPRING D.16X72X2 TK22052011	1,00		--
0023		CMCV85863		CABLE D.1,9 L.2200 TK21252001	1,00		--
0024		VTVR00014		ELASTIC PLUG DIN 1481 4X36	1,00		--
0025		ALTR00037		ROD SOLLEV.MACCHINA L15-L20	1,00		--
0026		MPVR00065		PROD A GOCCIA D.10	1,00		--
0027		VTDD00004		NUT M 6 ZC UNI5588	1,00		--
0028		LAFN75977		BRUSH PIN L15-20	1,00		--
0029		CUVR06174		BALL BEARING 6002-2RS1	1,00		--
0030		LAFN75843		BUSHING L20	1,00		--
0031		VTVT00100		SCREW AUTOF.TC UNI 6954 3,9X16	2,00		--
0032		PMVR00333		LEVER AGGANCI0 SPAZZOLA COMPL.	1,00		--
0033		SPPV00025		BRUSH D.100X375 NYLON L15	1,00		--
0034		VTVT37012		SCREW M 4X 10 TCB-TC INX	1,00		--
0035		CHVR75870		CLOSURE L15-20	1,00		--
0036		VTAE87082		SEGER INTERNO DIN 472 D.22	1,00		--
0037		CUVR71988		BEARING 608 2RS	1,00		--



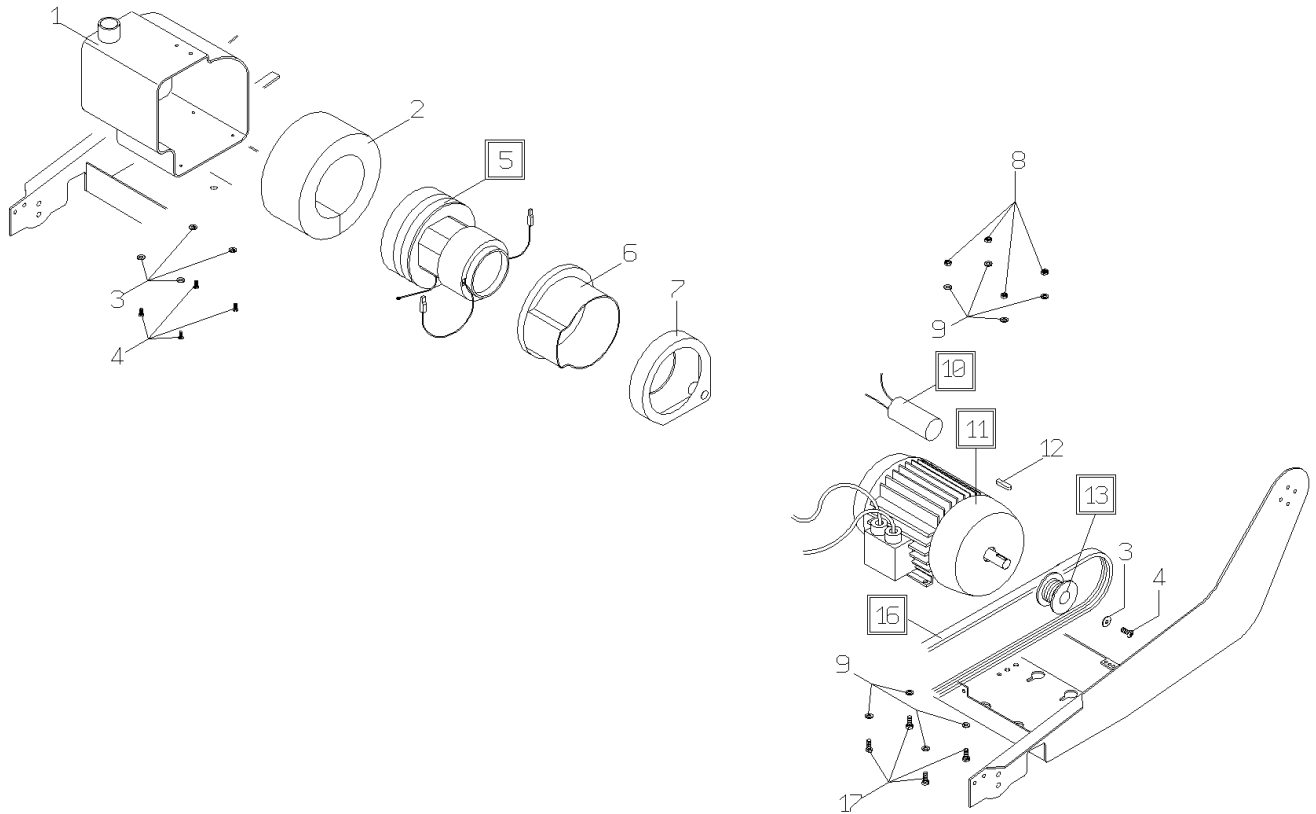
Ref.	K	Part N.	Customer Part N.	Description	Qty	Validity:		Price
						From	To	
0038		MTPL76051		ROLLER L20	1,00			--
0039		LAFN86482		PIN RINVIO RULLO L=15	1,00			--
0040		MPVR75871		BELT CRANK CASEL15-20	1,00			--
0041		VTVT75725		SCREW TBEI M 6X 10 ISO 7380 ZB	1,00			--
0042		VTDD00124		NUT M 8 BASSO	2,00			--
0043		MLML00032		SPRING CO-41 ZB	1,00			--
0044		MTPL85801		PULLEY POLY-V J4	1,00			--
0045		GUVR76741		GASKET DIN 3760 12X22X5 TCV	1,00			--
0046		VTAE06193		CIRCLIP D. 20 UNI 7435	1,00			--
0047		CUVR19846		BALL BEARING 6004 2RS1	1,00			--
0048		LAFN76759		PIN L20	1,00			--
0049		VTVT75733		SCREW TBEI M 5X 12 ISO 7380 ZB	4,00			--
0050		LAFN01109		BUMPER L15 NERO	1,00			--
0051		VTAE13935		CIRCLIP D. 7 UNI 7435	2,00			--
0052		RTRT76001		WHEEL d.40x17	2,00			--
0053		VTVR00046		HANDWHEEL D.25 M6X25	1,00			--
0054		LAFN00178		BUSHING PORTAMOLLA REGOL.SQEEGEE	1,00			--
0055		LAFN75955		LEVER L15-20 DX	1,00			--
00C1		PMTR00053		PULLEY CONDOTTA L15 COMPLETA	1,00			--
00D1		PMVR00324		ROD SOLLEV.MACCHINA L15 COMPL	1,00			--



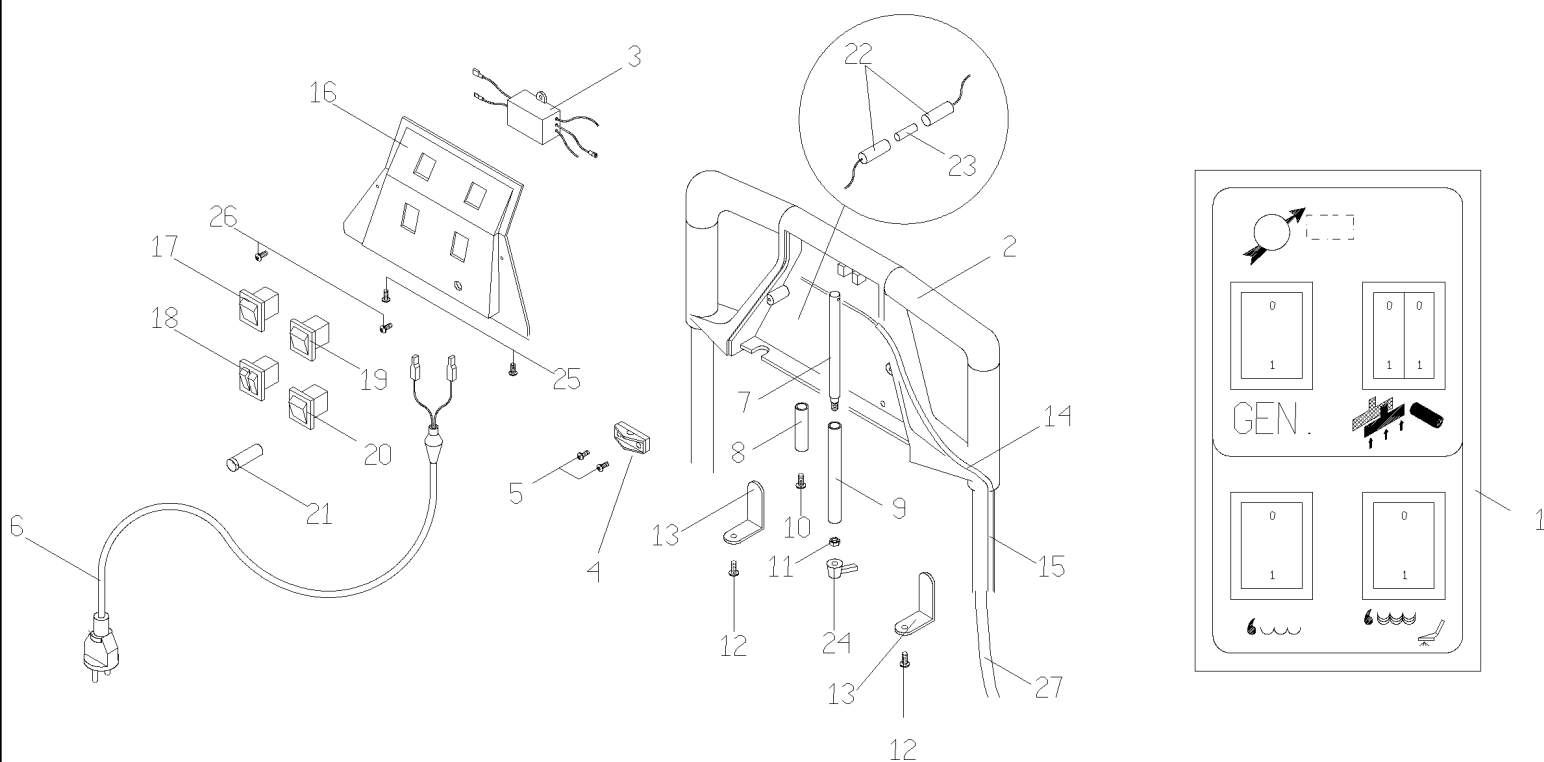
Ref.	K	Part N.	Customer Part N.	Description	Qty	Validity: From To	Price
0001		VTVT15924		SCREW M 4X 16 TCB-TC UNI 7687	9,00		--
0002		LAFN00858		SUPPORT BRACKETPOMPA L15 ZINCATA	1,00		--
0003		VTRS05904		WASHER D. 4 X16 2.083	11,00		--
0004		METK42068		KLIKSON L15-20 220V	1,00		--
0005		ABGO00010		SUPPORT ANTIVIBRANTE POMPA L15-20	2,00		--
0006		PPEL41833		PUMP BY-P.100 -120V	1,00		--
0007		FTDT76074		FILTER L 15-20	1,00		--
0008		VTDD00002		NUT UNI 5588 M4 ZB	2,00		--
0009		RCVR00004		CONNECTOR PORTAGOMMA 1/8" D.7	1,00		--
0010		TBBP00034		TUBE ACQUA SPAZ.L15-C A MISURA	1,00		--
0011		TBBP00033		TUBE SOLUZIONE L15-L20 A MISUR	1,00		--
0025		MPVR75937		COUNTERBLADE TERSY15 TK21602000	2,00		--
0026		MEVR76010		SUPPORT LAME TERSY L15	2,00		--
0027		MPVR76011		CAP L20	2,00		--
0028		MPVR75938		BLADE TERSY 15	2,00		--
0029		VTRS15959		WASHER D. 4X12 UNI 6593	9,00		--
0030		VTVT00037		SCREW AUTOF.TC UNI 6954 3,5X19	4,00		--
0031		LAFN48747		SPRING GUIDE L20	1,00		--
0033		VTVT00058		SCREW TCEI M 5X12 ZB U.5931	1,00		--
0034		LAFN75875		SLIDE ASPIRAZIONE	1,00		--
0035		LAFN00864		BRACKET FISS.SLITTA ASPIR.L15-L20	1,00		--
0036		VTVT75733		SCREW TBEI M 5X 12 ISO 7380 ZB	2,00		--
00A1		MPVR39125		RUBBER 150 E35 TK 4PZ.	1,00		--
032C		MEVR76012		SUPPORT GOMME SQUEEGEE L15	1,00		--
032D		MEVR76012		SUPPORT GOMME SQUEEGEE L15	1,00		--



Ref.	K	Part N.	Customer Part N.	Description	Qty	Validity:		Price
						From	To	
0007		TBBP86556		TUBE ESTENSIBILE mm120 L15	1,00			--
0008		VTVT75726		SCREW TBEI M 6X 16 ISO 7380 ZB	4,00			--
0009		MPVR00439		COVER L15 GRIGIO SILVER	1,00			--
0010		GUGO01943		O-RING D. 34.6 X 2.62 NBR 70SH	2,00			--
0011		TBFX86242		TUBE FLEX L15/20 L.250	1,00			--
0012		SFVR00003		BALL X GALLEGGIANTE L15-L20	1,00			--
0013		LAFN01107		CAGE GALLEGGIANTE	1,00			--
0014		MPVR00428		HOOD L15 GRIGIO SILVER	1,00			--
0015		VTDD00013		NUT INGABBIATO UNI 3740 M6	2,00			--
0016		MPVR00452		DRAWER L 15 GRIGIO SILVER	1,00			--
0017		GUGO00050		GASKET MOUSSE X SERBATOIO L15/20	2,00			--
0018		MPVR00433		TANK RECUPERO L15-L20 NERO	1,00			--
0019		MPVR00434		TANK SOLVENTE L15-L20 NERO	1,00			--
0021		LAFN01043		FRAME L15 NERO RAL9011	1,00			--

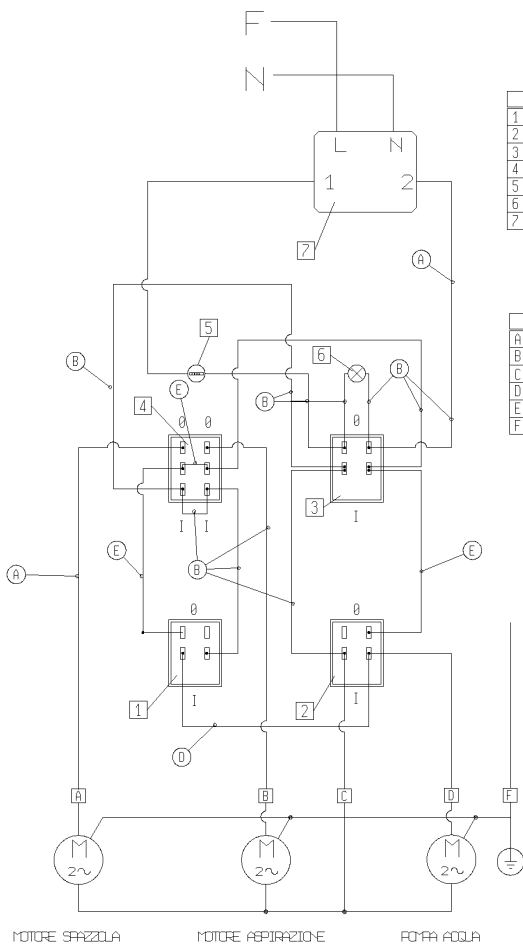


Ref. K	Part N.	Customer Part N.	Description	Qty	Validity:		Price
					From	To	
0001	KTRI00209		CRANKCASE ASPIRAZIONE	1,00			--
0002	GUVR75941		GASKET L15 MAPPYSIL	1,00			--
0003	VTRS05904		WASHER D. 4 X16 2.083	5,00			--
0004	VTVT15924		SCREW M 4X 16 TCB-TC UNI 7687	4,00			--
0005	MOMO00002		MOTOR ASPIRAZIONE L15-L20 110V	1,00			--
0006	MPVR42297		CRANKCASE E 35	1,00			--
0007	MPVR75877		MANIFOLD TK21202043	1,00			--
0008	VTDD00004		NUT M 6 ZC UNI5588	4,00			--
0009	VTRS86634		WASHER 6X18X1,5 UNI6593	8,00			--
0010	MECO85015		CAPACITOR 80 MF 450V M8 55X136	1,00			--
0011	MOMO00223		MOTOR SPAZZOLA L15 110V-60Hz	1,00			--
0012	VTVR31039		KEY 5X 5X10 UNI 6604A	1,00			--
0013	MTPL85735		PULLEY 4 G TK22502021	1,00			--
0016	MTCG31927		BELT J4 559	1,00			--
0017	VTVT00090		SCREW TE UNI 5739 6X25 ZB	4,00			--



Ref. K	Part N.	Customer Part N.	Description	Qty	Validity:		Price
					From	To	
0001	ETET00127		LABEL CRUSCOTTO L15 GR 8X14.3	1,00			--
0002	LAFN00412		HANDLE L 15 NERO	1,00			--
0003	MECE87073		FILTER A.DISTURBO L15-L20	1,00			--
0004	MEVR00120		FAIR-LEAD PA 238 RO	1,00			--
0005	VTVT00106		SCREW AUTOFIL. TC 3,5X14,5	2,00			--
0006	MECB00115		CABLE L15-L20 USA	1,00			--
0007	LAFN00553		PIN COMANDO SGANC.MANICO L15	1,00			--
0008	LAFN00179		BUSHING FERMO LEVA MAN.D.10X4X20	1,00			--
0009	MPVR85860		SHEATH L 15 TK21252005	1,00			--
0010	VTVT00094		SCREW AUTOF.TC UNI 6954 3,9X32	1,00			--
0011	VTDD00004		NUT M 6 ZC UNI5588	2,00			--
0012	VTVT00099		SCREW AUTOF.TC UNI 6954 3,9X13	4,00			--
0013	LAFN00862		BRACKET AGGANCIO CAVO L15	2,00			--
0014	CMCV75908		RELEASE CABLE 1800MM TER-15	1,00			--
0015	MPVR86351		SHEATH L 15 TK21252006	1,00			--
0016	MPVR00474		INSTR.PANEL ANTERIORE MANICO L 15	1,00			--
0017	MECI75809		SWITCH BIP. 250V ORG.	1,00			--
0018	MECI75811		SWITCH BIP. 250V RD.OR.	1,00			--
0019	MECI75812		BUTTON BIP. ARN	1,00			--
0020	MECI75810		SWITCH BIP. 250V RD.	1,00			--
0021	MEVR00136		LAMP SOCKET +LAMPADA L15-L20 220V	1,00			--
0022	MEVR85718		FUSE-HOLDER 6X32 TK13802014	1,00			--
0023	MEVR00128		FUSE 20a 230v 6x32	1,00			--
0024	MPVR00032		LEVER 48 M6 SGANCIO MANICO L 15	1,00			--
0025	VTVT00098		SCREW AUTOF.TC UNI 6954 3,9X9,5	2,00			--
0026	VTVT17336		SCREW 4X45 TCB UNI7687	1,00			--
0027	MECB00105		CABLE X CABLAG.PRINCIPALE L15	1,00			--

IMPIANTO ELETTRICO L15



- I -	- (B) -	- D -	- F -
1 Interruttore acqua	Water pump switch	Schalter Wasserpumpe	Interr. pompe de l'eau
2 Pulsante pompa acqua	Water pump button	Drukknopf Wasserpumpe	Bouton pompe de l'eau
3 Interruttore generale	Main switch	Hauptschalter	Interr. pour general
4 Interruttore aspirazione	Suction switch	Drucksch. Saugvorst.	Interr. pour aspirat.
5 Fusibile 10A	Fuse 10A	Sicherung 10A	Fusible 10A
6 Spia rete	Network socket	Netzsteckdose	Calibris aux lampes
7 Filtro antistato	Filter	Filter	Filter

- I -	- (B) -	- D -	- F -
A Marrone	Brown	Braun	Marron
B Nero	Black	Schwarz	Noir
C Azzurro	Light blue	Hellblau	Bleu clair
D Blu	Blue	Blau	Bleu
E Rosso	Red	Rot	Rouge
F Terra	Grounding	Erdfing.	Mise a la terre

Ref. K	Part N.	Customer Part N.	Description	Qty	Validity:		Price
					From	To	
0001	MECI75809		SWITCH BIP. 250V ORG.	1,00			--
0002	MECI75812		BUTTON BIP. ARN	1,00			--
0003	MECI75810		SWITCH BIP. 250V RD.	1,00			--
0004	MECI75811		SWITCH BIP. 250V RD.OR.	1,00			--
0005	MEVR00080		FUSE-HOLDER PV610 10A	1,00			--
0006	MEVR00136		LAMP SOCKET +LAMPADA L15-L20 220V	1,00			--
0007	MECE87073		FILTER A.DISTURBO L15-L20	1,00			--