

*fiorentini*

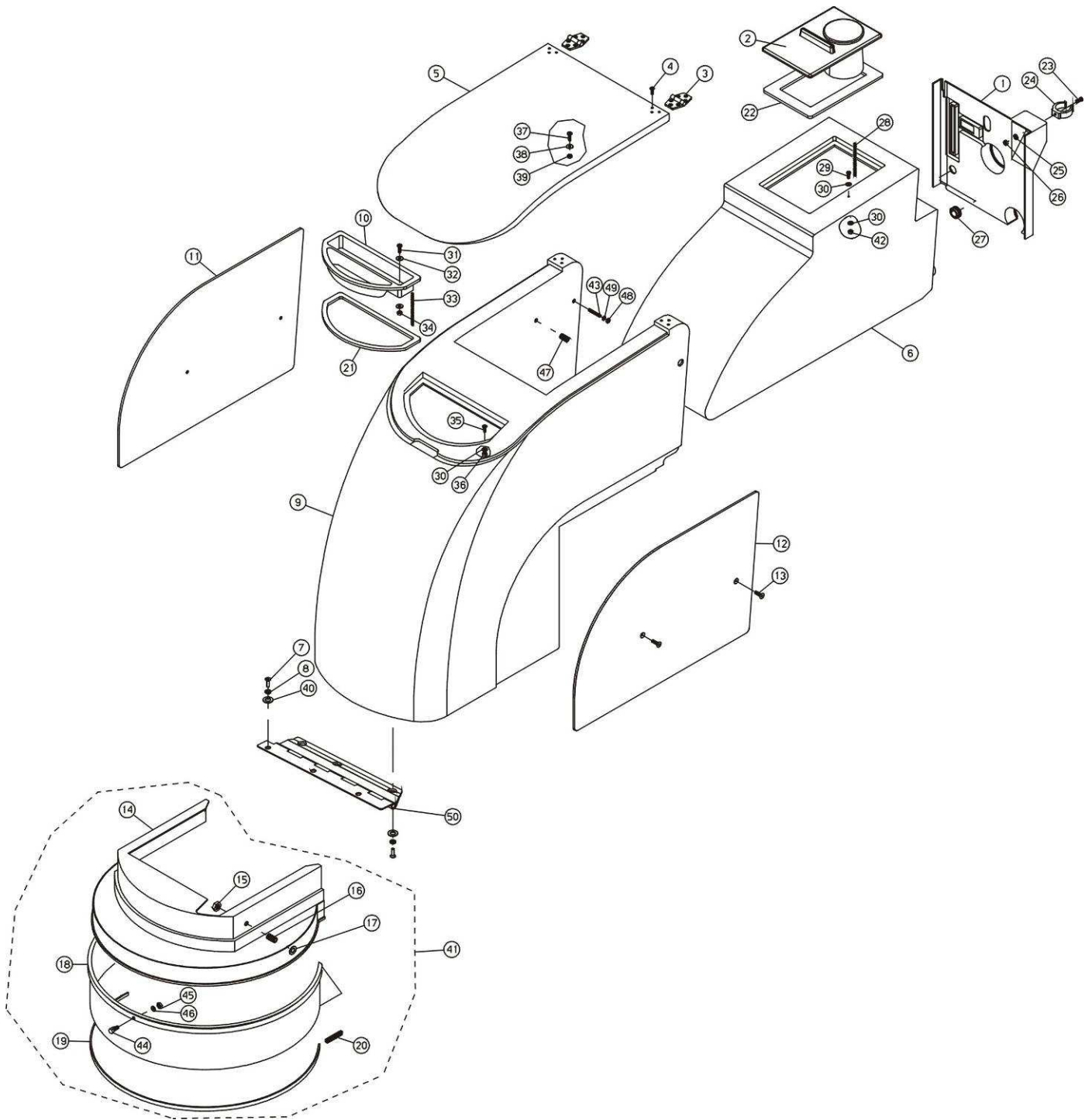


# **N45B – N53BNEW**

PARTI DI RICAMBIO  
SPARE PARTS  
PIECES DETACHEES  
ERSATZTEILE



**ING. O. FIORENTINI  
INDUSTRIAL CLEANING MACHINE**

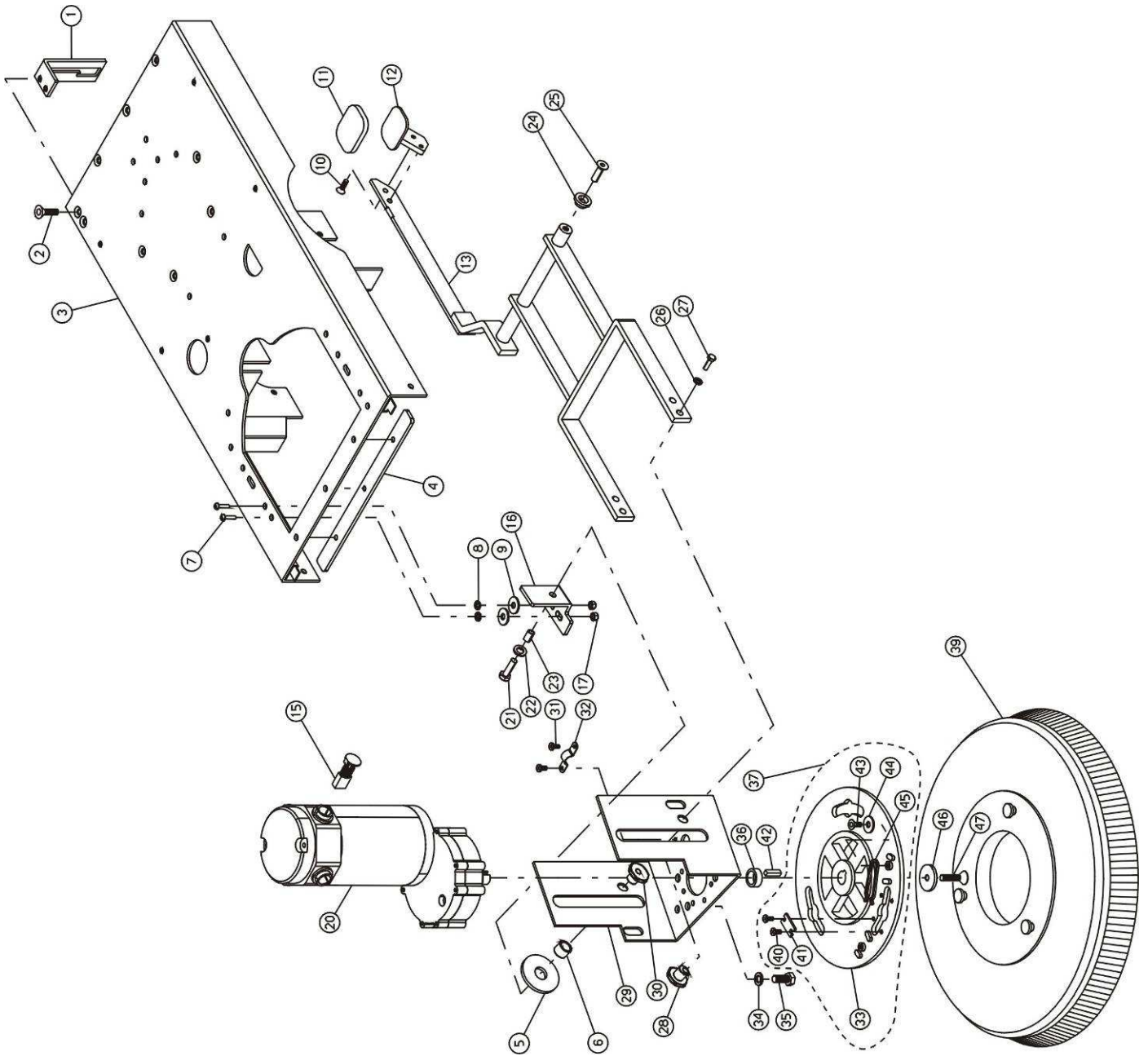




N.Position	Code Num	Qta	Descrizione	Description	Description	Bezeichnung
N45.01.001	CA277	1	CARTER POSTERIORE PER N45 NEW	FRONT COVER FOR N45NE	CARTER POSTERIEUR	RUECKGEHAUSE
N45.01.002	CO150	1	COPERCHIO SERBATOIO RECUPERO	TANK COVER	COUVERCLE	DECKEL
N45.01.003	MV080	2	CERNIERA IN PLASTICA NERA	HINGE	CHARNIERE	SCHARNIER
N45.01.004	VS410	12	VITE SVASATA T/C M4x10 UNI 7688 INO	SCREW	VIS	SENKSCHRAUBE
N45.01.005	CO139	1	COFANO MACCHINA	MACHINE HOOD	CAPOT MACHINE	MOTORHAUBE
N45.01.005	CO139N	1	COFANO MACCHINA NERO	BLACK MACHINE BONNET	CAPOT MACHINE NOIR	SCHWARZE MOTORHAUBE
N45.01.005	CO139V	1	COFANO MACCHINA VERDE	GREEN MACHINE BONNET	CAPOT MACHINE VERT	GRUENE MOTORHAUBE
N45.01.006	SB103	1	SERBATOIO RECUPERO NEUTRO	RECOVERY TANK	RESERVOIR	BEHALTER
N45.01.006	SB103G	1	SERBATOIO RECUPERO GRIGIO	RECOVERY TANK - GREY	RESERVOIR RECIPER. GR	GRAUER BEHALTER
N45.01.006	SB103R	1	SERBATOIO RECUPERO ROSSO RAL3000	RECOVERY TANK - RED R	RESERVOIR RECUP. ROUG	ROTER BEHALTER
N45.01.007	VV432	6	VITE SVAS.BRUGOLA M6x20 UNI5933/77	SCREW	VIS	SENKSCHRAUBE
N45.01.008	RO455	6	RONDELLA SPACCATA DIAM. 8 UNI 1751A	INOX WASHER	RONDELLE	SCHIBE
N45.01.009	SB102	1	SERBATOIO SOLUZIONE NEUTRO	SOLUTION TANK	RESERVOIR	BEHALTER
N45.01.009	SB102G	1	SERBATOIO SOLUZIONE GRIGIO	SOLUTION TANK GREY	RESERVOIR SOLUTION GR	GRAUER BEHALTER
N45.01.009	SB102R	1	SERBATOIO SOLUZIONE ROSSO	SOLUTION TANK RED	RESERVOIR SOLUTION RO	ROTER BEHALTER
N45.01.010	CO151	1	COPERCHIO SERBATOIO SOLUZIONE	SOLUTION TANK COVER	COUVERCLE	DECKEL
N45.01.011	PA181	1	PANNELLO LATERALE DESTRO	RIGHT SIDE PANEL	PANNEAU	SEITENTAFEL, R.
N45.01.011	PA181N	1	PANNELLO LATERALE DESTRO NERO	RIGHT SIDE PANEL-BLAC	PANNEAU LATERALE DROI	SHWARZE SEITENTAFEL RECHTS
N45.01.011	PA181V	1	PANNELLO LATERALE DESTRO VERDE	RIDE SIDE PANEL-GREEN	PANNEAU LATERAL DROIT	GRUENE SEITENTAFEL RECHTS
N45.01.012	PA182	1	PANNELLO LATERALE SINISTRO	LEFT SIDE PANEL	PANNEAU	SEITENTAFEL, L.
N45.01.012	PA182N	1	PANNELLO LATERALE SINISTRO NERO	LEFT SIDE PANEL-BLACK	PANNEAU LATERAL GAUCH	SCHWARZE SEITENTAFEL LINKS
N45.01.012	PA182V	1	PANNELLO LATERALE SINISTRO VERDE	LEFT SIDE PANEL-GREEN	PANNEAU LATERAL GAUCH	GRUENE SEITENTAFEL LINKS
N45.01.013	VS413	4	VITE SVASATA TC M5x12 UNI 7688 INOX	SCREW	VIS	SENKSCHRAUBE
N45.01.014	CA294	1	CARTER PROTEZIONE SPAZZOLA N45NEW	BRUSH PROTECTION COVE	CARTER PROTECTION BRO	SCHUTZGEHAUSE
N45.01.015	DD212	2	DADO M12 SPESS.mm.8 UNI 5589/65	NUT	ECROU	MUTTER
N45.01.016	MI139	2	PUNTALE A SFERA M12	SETSCREW	VIS DE BLOCAGE	STELLSCHRAUBE
N45.01.017	BO177	2	BOCCOLA PER FISSAGGIO CARTER	BUSHING	COQUILLE DE FIXAGE CO	BUCHSE
N45.01.018	BP186	1	BUMPER CARTER SPAZZOLA	BRUSH CASE BUMPER	GARDE-BOUE	GEHAUSE
N45.01.019	LM357	1	LISTELLO BUMPER L=995	BUMPER STIP	LARDON	GEHAUSELEISTE
N45.01.020	ML002	2	MOLLA ZINC BUMPER	GALVANIZED SPRING	RESSORT	FEDER
N45.01.021	GR105	1	GUARNIZIONE SERBATOIO SOLUZIONE	SOLUTION TANK GASKET	GARNITURE	DICHTUNG
N45.01.022	GR104	1	GUARNIZIONE SERBATOIO RECUPERO	RECOV. TANK GASKET	GARNITURE	DICHTUNG
N45.01.023	VC413	1	VITE CILIN.CROCE M5x16 UNI 7687 INO	SCREW	VIS	ZYLINDERSCHRAUBE
N45.01.024	ML022	1	MOLLA PER TUBO FLEX	SPRING	RESSORT	FEDER
N45.01.025	RO500	1	RONDELLA SLARG.D.5X15 UNI6592/69 IN	INOX WASHER	RONDELLE	SCHIBE
N45.01.026	DD452	1	DADO AUTOBLOCCANTE M5 INOX	INOX SELF-LOCKING NUT	ECROU DE SURETE	SICHERUNGSMUTTER
N45.01.027	PY240	1	PASSACAVO TELAIO MEDIO	FAIRLEAD	PASSE-CABLE	KABELDURCHGANG
N45.01.028	MI334	1	CATENELLA CON 30 MAGLIE	CHAIN	CHAINE A/30 MAILLES	KETTE MIT 30 GLIEDER
N45.01.029	VC404	1	VITE CILIN.CROCE M4X16 UNI 7687 INO	SCREW	VIS	ZYLINDERSCHRAUBE
N45.01.030	RO505	3	RONDELLA SLARG.D.4x12 UNI6593 INOX	WASHER	RONDELLE	SCHIBE
N45.01.031	VC410	1	VITE CILIN.CROCE M5x12 UNI 7687 INO	SCREW	VIS	ZYLINDERSCHRAUBE
N45.01.032	RO500	3	RONDELLA SLARG.D.5X15 UNI6592/69 IN	INOX WASHER	RONDELLE	SCHIBE
N45.01.033	MI171	1	CATENELLA 7 MAGLIE 1.5x8x17	CHAIN	CHAIN	KETTE
N45.01.034	DD452	1	DADO AUTOBLOCCANTE M5 INOX	INOX SELF-LOCKING NUT	ECROU DE SURETE	SICHERUNGSMUTTER
N45.01.035	VS414	1	VITE SVASATA TC M5x16 UNI7688 INOX	SCREW	VIS	SENKSCHRAUBE
N45.01.036	DD452	1	DADO AUTOBLOCCANTE M5 INOX	INOX SELF-LOCKING NUT	ECROU DE SURETE	SICHERUNGSMUTTER
N45.01.037	VE422	1	VITE ESAGONALE M5X12 UNI5737-77 INO	SCREW	VIS	SCHRAUBE
N45.01.038	RO500	2	RONDELLA SLARG.D.5X15 UNI6592/69 IN	INOX WASHER	RONDELLE	SCHIBE
N45.01.039	DD452	1	DADO AUTOBLOCCANTE M5 INOX	INOX SELF-LOCKING NUT	ECROU DE SURETE	SICHERUNGSMUTTER
N45.01.040	RO502	6	RONDELLA SLARG. D.8X24 UNI6593 INOX	INOX WASHER	RONDELLE	SCHIBE
N45.01.041	KIT978	1	KIT ASSEMBLAGGIO CARTER N45BNEW	CASE ASSY	CARTER ASSEMBLAGE	GEHAUSEZUSAMMEN
N45.01.042	DD451	1	DADO AUTOBLOCCANTE M4 INOX UNI 7473	SELF-LOCKING NUT	ECROU DE SURETE	SICHERUNGSMUTTER
N45.01.043	VG053	2	GRANO M6x30 CON PUNTA	DOWEL M6x30	GRAIN M6x30	DUEBEL
N45.01.044	VC433	3	VITE CILIN.CROCE M3x12 UNI 7687 INO	SCREW M3x12	VIS CYLINDRIQUE	ZYLINDERSCHRAUBE
N45.01.045	DD450	3	DADO AUTOBLOCCANTE M3 INOX	NUT	ECROU	MUTTER
N45.01.046	RO515	3	RONDELLA GREMBIALINA 3X9 UNI659	WASHER	RONDELLE	SCHIBE
N45.01.047	VG053	2	GRANO M6x30 CON PUNTA	DOWEL M6x30	GRAIN M6x30	DUEBEL
N45.01.048	DD404	2	DADO M6 UNI 5588 INOX	STAINLESS STEEL NUT	ECROU	MUTTER
N45.01.049	RO501	8	RONDELLA SLARG.D.6X18 UNI6593 INOX	INOX WASHER	RONDELLE	SCHIBE
N45.01.050	MV163	1	CERNIERA APERTURA SERBATOIO RECUPER	HINGE FOR RECOVERY TA	CHARNIERE OUIVERTURE	SCHARNIER

## N 53BNEW

N.Position	Code Num	Qta	Descrizione	Description	Description	Bezeichnung
01.014	CA293	1	CARTER SPAZZOLA	BRUSH CASE	COUVERCLE	GEHAUSE
01.018	BP187	1	BUMPER CARTER SPAZZOLA	BRUSH CASE BUMPER	GARDE BOUE	GEHAUSE
01.019	LM364	1	LISTELLO BUMPER L=1100	BUMPER STIP	LARDON	GEHAUSELEISTE
01.041	KIT979	1	ASSEMBL. CARTER SPAZZOLA N53	PLAST.ASSY	ASS.DETAIL	EINZELTEILZ

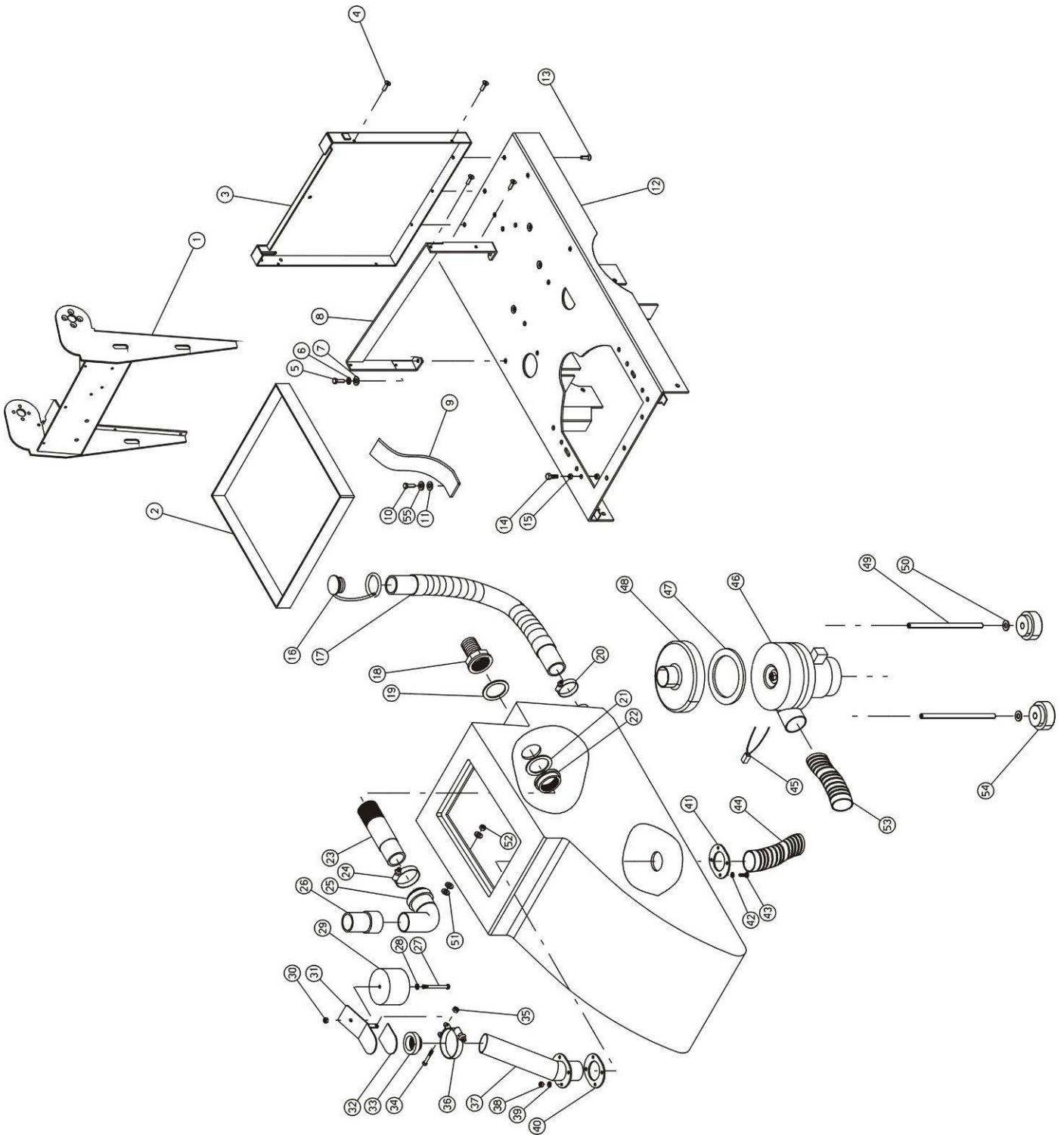




N.Position	Code Num	Qta	Descrizione	Description	Description	Bezeichnung
N45.02.001	ST071	1	STAFFA A L. GUIDA LEVA PIATTO SPAZZO	BRACKET	SUPPORT	BUEGEL
N45.02.002	VS421	2	VITE SVASATA TC M6x12 UNI 7688 INOX	SCREW	VIS	SENKSCHAUBE
N45.02.003	TP102	1	TELAIO BASE N45-53E/B	BASE FRAME	CHASSIS	HAUPTTRAHMEN
N45.02.004	LM718	1	LISTELLO RINFORZO TELAI0 N53BNEW	CHASSIS REINFORCEMENT	LATTE REINFORCEMENT C	RAHMENVERSTAERKUNG
N45.02.005	DT130	4	DISTANZ. SCORRIMENTO PIATTO SPAZZ.	SPACER	ENTRETOISE	DISTANZSTUECK
N45.02.006	BO272	2	BOCCOLA ANTIVIBRANTE	BUSH	DOUILLE	BUCHSE
N45.02.007	VB430	2	VITE CIL.BRUGOLA M8x16 UNI 5931 INO	SCREW	VIS	ZYLINDERSCHRAUBE
N45.02.008	RO455	2	RONDELLA SPACCATA DIAM. 8 UNI 1751A	INOX WASHER	RONDELLE	SCHIEBE
N45.02.009	RO502	2	RONDELLA SLARG. D.8X24 UNI6593 INOX	INOX WASHER	RONDELLE	SCHIEBE
N45.02.010	VS426	2	VITE SVASATA TC M6x14 UNI 7688 INOX	SCREW M6x14	VIS	SENKSCHAUBE
N45.02.011	IS001	1	RIVESTIMENTO PEDALE (grande)	PEDAL COVER	REVELEMENT	PEDALSVERKLEIDUNG
N45.02.012	LM175	1	PEDALE LEVA SOLL. PIATTO E SQUEEGEE	LIFT.LEVER PEDAL	PEDALE	HEBELSPEDAL
N45.02.013	LV411	1	LEVA SOLLEVAMENTO SPAZZOLA	BRUSH LIFTING LEVER	LEVIER SOULEVEMENT BR	BUERSTENHEBEL
N45.02.015	MP084	4	SPAZZOLA MOTORE 9x19 Lg=31 ELETTR0G	BRUSH	CHARBON	KOHL
N45.02.016	ST174	1	STAFFA REGOLAZIONE MOTORE SPAZZOLE	BRACKET FOR BRUSH MOT	MOULE REGULATION MOTE	BUEGEL
N45.02.017	DD454	2	DADO AUTOBLOCCANTE M8 INOX	INOX SELF-LOCKING NUT	ECROU DE SURETE	SICHERUNGSMUTTER
N45.02.020	MO213	1	MOTORIDUTTORE FIORENTINI 750W 36V	GEARMOTOR	MOTOREDUCTEUR	GETRIEBEMOTOR
N45.02.021	VE492	1	VITE ESAGONALE M10x25 UNI 5737/77 I	SCREW	VIS	SCHRAUBE
N45.02.022	RO456	1	ROSETTA SPACCATA D.10 UNI 1751 INOX	INOX WASHER	RONDELLE	SCHIEBE
N45.02.023	M1383	1	TAMPONE ANTIVIBRANTE	BUFFER	TAMPON	PUFFER
N45.02.024	BO120	1	BOCCOLA OSCILLAZIONE MANICO	BUSH	DOUILLE	BUCHSE
N45.02.025	VV442	2	VITE SVAS.BRUGOLA M8x30 UNI5933 INO	SCREW	VIS	SCHRAUBE
N45.02.026	RO456	2	ROSETTA SPACCATA D.10 UNI 1751 INOX	INOX WASHER	RONDELLE	SCHIEBE
N45.02.027	VE481	2	VITE ESAGONALE M10X20 UNI 5737/77 I	SCREW	VIS	SCHRAUBE
N45.02.028	BO271	1	BOCCOLA ECCENTRICA PIATTO SPAZZ.	BRUSH PLATE BUSH	COQUILLE PLATEAU BROS	BUCHSE
N45.02.029	SU365	1	SUPPORTO MOTORIDUTTORE SPAZZOLA	GEARMOTOR SUPPORT	MOTOREDUCTEUR SUPPORT	GETRIEBEMOTORHALTER
N45.02.030	BO271	1	BOCCOLA ECCENTRICA PIATTO SPAZZ.	BRUSH PLATE BUSH	COQUILLE PLATEAU BROS	BUCHSE
N45.02.031	VC411	2	VITE CILIN.CROCE M5x8 UNI 7687 INOX	SCREW	VIS	ZYLINDERSCHRAUBE
N45.02.032	MI140	1	FERMATUBO D.16mm	STOP COLLAR	COLLIER D'ATTACHE	SHELLE
N45.02.033	FL059	1	FLANGIA ATTACCO SPAZZOLA 20°	BRUSH CONNEC.FLANGE	FLASQUE	FLANSCH
N45.02.034	RO456	4	ROSETTA SPACCATA D.10 UNI 1751 INOX	INOX WASHER	RONDELLE	SCHIEBE
N45.02.035	WE260	4	VITE A TESTA ESAGONALE 3/8"x3/4"	SCREW	VIS	SECHSSECKIGE SCHRAUBE
N45.02.036	DT050	1	DISTANZIALE MOTORE TRAZIONE	DRIVE MOTOR SPACER	ENTRETOISE	DISTANZSTUECK
N45.02.037	KIT410	1	ASSEMBL. FLANGIA SPAZZ.*FANT*	FLANGE ASSY	ASS.FLASQUE	FLANSCH SUMMENBAU
N45.02.039	SZ025	1	SPAZZOLA NYLON D.450 FORO 132	NYLON BRUSH	BROSSE NYLON	BUERSTE
N45.02.039	SZ025A	1	SPAZZOLA ACCIAIO D.450 FORO 132	STEEL BRUSH	BROSSE ACIER	BUERSTE
N45.02.039	SZ025B	1	SPAZZOLA BASSINE D.450 FORO 132	BASSINE BRUSH	BROSSE BASSINE	BUERSTE
N45.02.039	SZ025C	1	SPAZZOLA TYNEX D.450 FORO 132	TYNEX BRUSH	BROSSE TYNEX	BUERSTE
N45.02.039	SZ025M	1	SPAZZOLA MOQUETTE D.450 FORO 132	CARPET BRUSH	BROSSE MOQUETTE	BUERSTE
N45.02.039	SZ025Y	1	SPAZZOLA NYLON/ACCIAIO D.450 FORO 1	NYLON/STEEL BRUSH	BROSSE NYLON/ACIER	BUERSTE
N45.02.039	TS027	1	DISCO TRASCINATORE D.450 FORO 132	PAD HOLDER D.450	DISQUE ENTRAINEUR D.4	MITNEHMERSCHIEBE
N45.02.040	VS413	2	VITE SVASATA TC M5x12 UNI 7688 INOX	SCREW	VIS	SENKSCHAUBE
N45.02.041	PT099	1	PIASTRINO DI ARRESTO	PLATE	PLAQUETTE	PLAETTCHEN
N45.02.042	CH048	1	LINGUETTA 6.3x6.3x25 FORMA A	TONGUE	CLAVETTE	PASSFEDER
N45.02.043	VS421	1	VITE SVASATA TC M6x12 UNI 7688 INOX	SCREW	VIS	SENKSCHAUBE
N45.02.044	RO404	1	RONDELLA NORM.DIAM. 8 UNI 6592 INOX	INOX WASHER	RONDELLE	SCHIEBE
N45.02.045	ML101	1	MOLLA BLOCCAGGIO SPAZZOLA	SPRING	RESSORT	FEDER
N45.02.046	VI020	1	RONDELLA SPECIALE SVASATA -	WASHER	RONDELLE	SENKSCHEIBE
N45.02.047	WV044	1	VITE BRUGOLA SVASATA 5/16"x30	SCREW 5/16"x30	VIS	SCHRAUBE

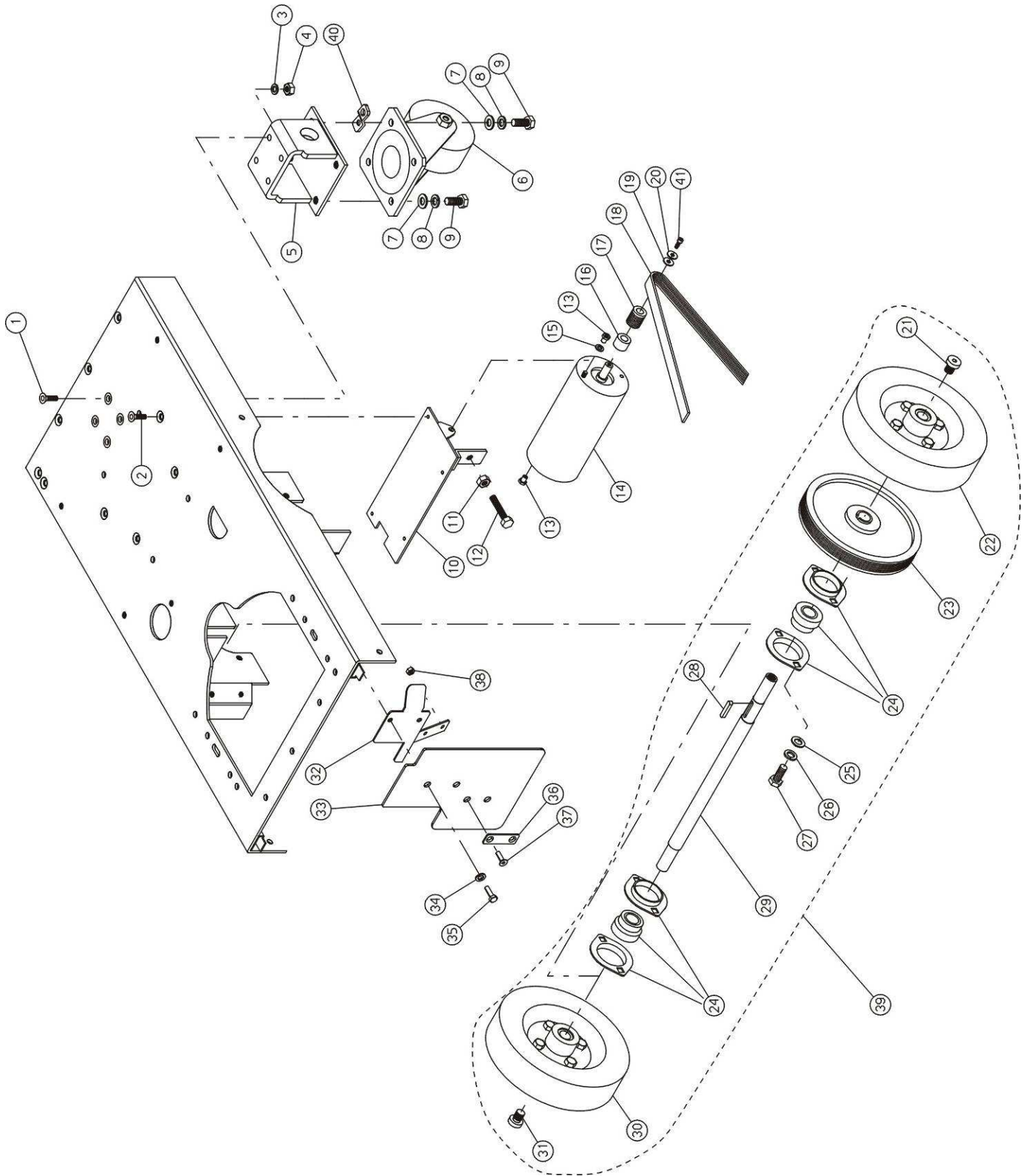
## N53BNEW

N.Position	Code Num	Qta	Descrizione	Description	Description	Bezeichnung
02.039	SZ026	1	SPAZZOLA NYLON D.530 FORO 132	BRUSH	BROSSE	BUERSTE
02.039	SZ026A	1	SPAZZOLA ACCIAIO D.530 FORO 132	BRUSH	BROSSE	BUERSTE
02.039	SZ026B	1	SPAZZOLA BASSINE D.530 FORO 132	BRUSH	BROSSE	BUERSTE
02.039	SZ026C	1	SPAZZOLA TYNEX D.530 FORO 132	BRUSH	BROSSE	BUERSTE
02.039	SZ026Y	1	SPAZZOLA NYLON/ACCIAIO D.530	BRUSH	BROSSE	BUERSTE
02.039	TS028	1	DISCO TRASCINATORE D.530	PAD HOLDER	DISQUE ENTRAINEUR	MITNEHMERSCHIEBE





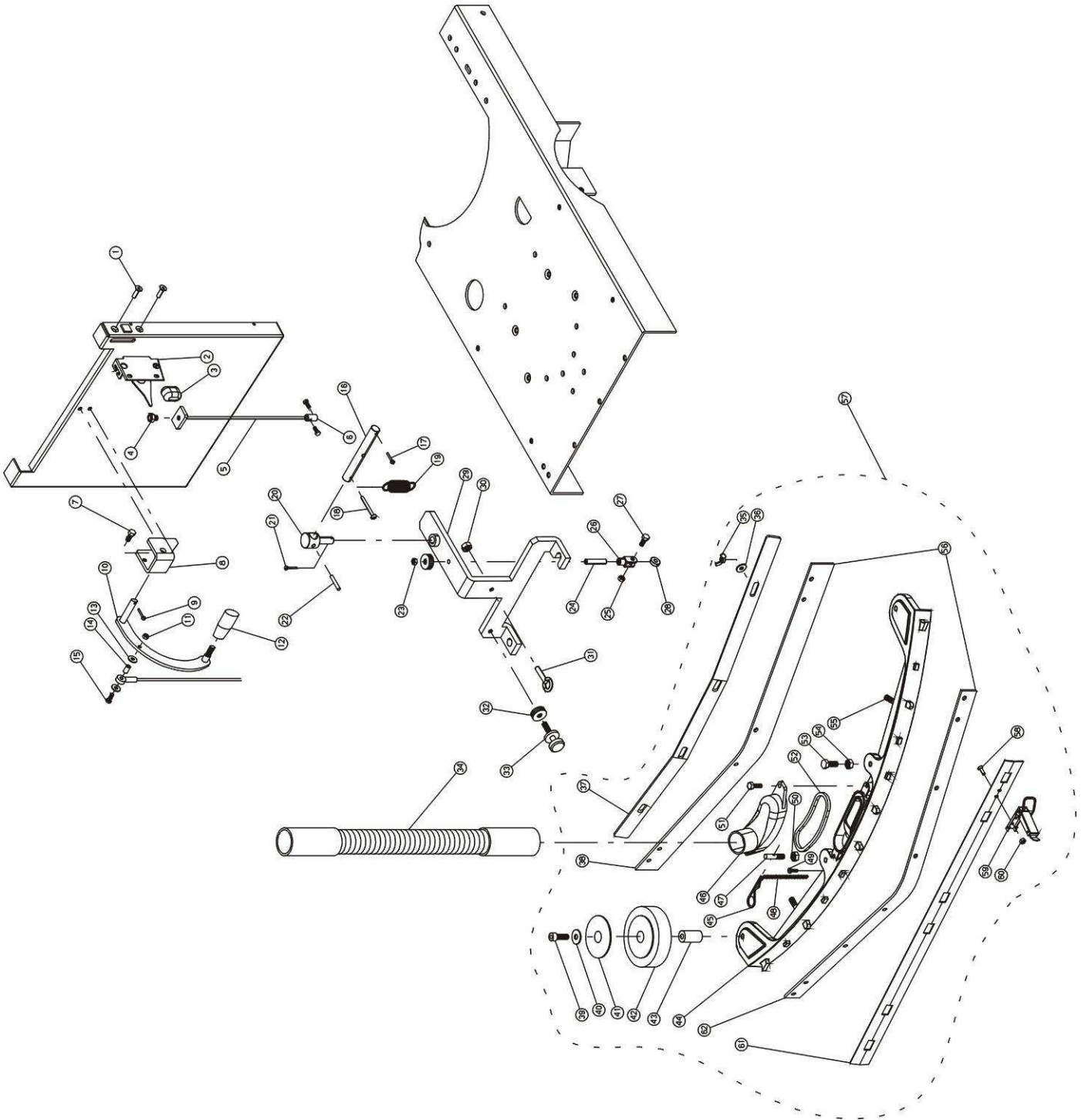
N.Position	Code Num	Qta	Descrizione	Description	Description	Bezeichnung
N45.03.001	TP168	1	TELAIO SUPPORTO SERBATOI E MANICO	SUPPORT CHASSIS FOR T	CHASSIS SUPPORT RESER	RAHMEN
N45.03.002	SB040	1	VASCHETTA BATTER.PLAST.	PLASTIC BATTERY TRAY	CUVE BATTERIE	BATTERIEWANNE
N45.03.002	SB057	1	VASCHETTA BATT.PLAST. (OPTIONAL)	BATTERY TRAY	CUVE	BATTERIWANNE
N45.03.003	CO274	1	COPERCHIO POSTERIORE VANO BATTERIE	REAR COVER	COUVERCLE POSTERIEUR	HINTER DECKEL
N45.03.004	VS413	8	VITE SVASATA TC M5x12 UNI 7688 INOX	SCREW	VIS	SENKSCHAUBE
N45.03.005	VE443	2	VITE ESAGONALE M6x16 UNI 5739 INOX	SCREW	VIS	SECHSECKIGE SCHRAUBE
N45.03.006	RO454	2	RONDELLA SPACCATA DIAM. 6 UNI 1751A	INOX WASHER	RONDELLE	SCHLEIBE
N45.03.007	RO403	2	RONDELLA NORM.DIAM. 6 UNI 6592/69 I	INOX WASHER	RONDELLE	SCHLEIBE
N45.03.008	LM683	1	LAMIERA FERMA BATTERIA	BATTERY HOLDER PLATE	FEUILLE ARRETE BATTER	BATTERIEBLECH
N45.03.009	CC011	1	CINGHIA ARRESTO SERBATOIO L=780mm	NYLON STRAP	COURROIE	GURT
N45.03.010	VE442	2	VITE ESAGONALE M6x12 UNI 5739 INOX	SCREW	VIS	SECHSECKIGE SCHRAUBE
N45.03.011	RO503	2	ROSETTA SLARGATA D.6x24 UNI6592/69	STAINLESS STEEL WASHE	RONDELLE	SCHLEIBE
N45.03.012	TP102	1	TELAIO BASE N45-53E/B	BASE FRAME	CHASSIS	ST091LAGERAHMEN
N45.03.013	VV431	3	VITE SVASATA BRUGOLA M6x12 INOX	SCREW	VIS	SCHRAUBE
N45.03.014	VB434	1	VITE CIL.BRUGOLA M8x25 UNI5931 INOX	SCREW	VIS	ZYLINDERSCHRAUBE
N45.03.015	DD405	2	DADO M8 UNI 5590 INOX	INOX NUT	ECROU	MUTTER
N45.03.016	TA002	1	TAPPO TUBO SCARICO SERBATOIO RECUP	PLUG	BOUCHON	DECKEL
N45.03.017	TB156	1	TUBO DI SCARICO CON BOCCHETTONI	HOSE	TUYAU VIDANGE AVEC EM	ROHR
N45.03.018	RC290	1	RACCORDO PORTAGOMMA DRITTO 1"-1/4	UNION	RACCORD	ANSCHLUSS
N45.03.019	GR118	1	GUARNIZIONE 1"-1/4	GASKET	GARNITURE	DICHTUNG
N45.03.020	FS011	1	FASCETTA 25/40 INOX 9mm	FLOAT.SUPPORT CLAMP	BANDE 25/40 INOX 9mm	SHELLE
N45.03.021	GR035	1	GUARNIZIONE D.INT.1"-1/4 D.EST.2"	GASKET	GARNITURE	DICHTUNG
N45.03.022	RC026	1	COLLARE CON FILETTATURA CILINDRICA	COLLAR	COLLIER	BUND
N45.03.023	TB093	1	TUBO RACCOLTA ACQUA	HOSE	TUYAU	ROHR
N45.03.024	FS031	1	FASCETTA 21-44 INOX	CLAMP	BANDE	SHELLE
N45.03.025	RC030	1	RACCORDO 90° HTB-DN 40-87*30'	UNION	RACCORD	ANSCHLUSS
N45.03.026	RC096	1	MANICOTTO M.F. ZH D.40	UNION	RACCORD	ANSCHLUSS
N45.03.027	VE430	1	VITE ESAGONALE M5x55 UNI 5737-77 IN	SCREW	VIS	SCHRAUBE
N45.03.028	RO500	1	RONDELLA SLARG.D.5X15 UNI6592/69 IN	INOX WASHER	RONDELLE	SCHLEIBE
N45.03.029	GL013	1	CORPO GALLEGGIANTE	FLOAT BODY	CORPS FLOTTEUR	SCHWIMMERKOERPER
N45.03.030	DD452	1	DADO AUTOBLOCCANTE M5 INOX	INOX SELF-LOCKING NUT	ECROU DE SURETE	SICHERUNGSMUTTER
N45.03.031	TA016	1	TAPPO GALLEGGIANTE	PLUG	BOUCHON	STOPFEN
N45.03.032	GR108	1	GUARNIZIONE TAPPO GALLEGGIANTE	GASKET	GARNITURE	DICHTUNG
N45.03.033	FT005	1	FILTRO MOTORE ASPIRAZIONE	SUCTION MOTOR FILTER	FILTRE	FILTER
N45.03.034	VE428	1	VITE ESAGONALE M5X45 UNI 5737-77 IN	SCREW	VIS	SCHRAUBE
N45.03.035	DD452	1	DADO AUTOBLOCCANTE M5 INOX	INOX SELF-LOCKING NUT	ECROU DE SURETE	SICHERUNGSMUTTER
N45.03.036	SU393	1	SUPPORTO GALLEGGIANTE INOX N45	SUPPORT	SUPPORT	HALTER
N45.03.037	TB094	1	TUBO ASPIRAZIONE IN ACCIAIO	HOSE	TUYAU	ROHR
N45.03.038	DD403	4	DADO M5 UNI 5588/65 INOX	INOX NUT	ECROU	MUTTER
N45.03.039	RO500	4	RONDELLA SLARG.D.5X15 UNI6592/69 IN	INOX WASHER	RONDELLE	SCHLEIBE
N45.03.040	GR088	1	GUARNIZIONE TUBI ACQUA SBR Sp.3	GASKET	GARNITURE	DICHTUNG
N45.03.041	FL046	1	FLANGIA X TUBO SERBATOI	HOSE FLANGE	FLASQUE	FLANSCH
N45.03.042	RO500	4	RONDELLA SLARG.D.5X15 UNI6592/69 IN	INOX WASHER	RONDELLE	SCHLEIBE
N45.03.043	VE431	4	VITE ESAGONALE M5x25 UNI 5737-77 IN	HEXAGONAL SCREW	VIS	SECHSECKIGE SCHRAUBE
N45.03.044	TB241	1	TUBO FLEX C. ANIMA ACCIAIO D=38 L=2	FLEXIBLE HOSE STEEL I	TUBE FLEXIBLE A/AME E	ROHR
N45.03.045	MP257	2	CARBONCINO x MOTORE MO217 24V	CARBON BRUSH	CHARBON	KOHLENBUERSTE
N45.03.046	MO408	1	MOTORE ASPIRAZIONE 24V 550W CONVOGL	VAC MOTOR 24V TANGENT	MOTEUR ASPIRATION	ANSAUGMOTOR
N45.03.047	GO009	1	GUARNIZIONE GALLEGGIANTE	FLOAT GASKET	GARNITURE	SCHWIMMERDICHTUNG
N45.03.048	CO291	1	COPERCHIO MOTORE ASPIRAZIONE	VACUUM MOTOR COVER	COUVERCLE MOTEUR ASPI	ANSAUGMOTORHEBEL
N45.03.049	MV165	3	TRAFILA SUPPORTO MOTORE ASPIRAZIONE	VACUUM MOTOR DRAWPLAT	FILIERE SUPPORT MOTEU	GEWINDESTIFT
N45.03.050	RO402	3	ROSETTA DIAM. 5 UNI 6592/69 INOX	INOX WASHER	RONDELLE	SCHLEIBE
N45.03.051	RO503	6	ROSETTA SLARGATA D.6x24 UNI6592/69	STAINLESS STEEL WASHE	RONDELLE	SCHLEIBE
N45.03.052	DD453	2	DADO AUTOBLOCCANTE M6 INOX	INOX SELF-LOCKING NUT	ECROU DE SURETE	SICHERUNGSMUTTER
N45.03.053	TB408	1	TUBO ESTENSIBILE D=32 L=330mm	FLEXIBLE HOSE STEEL I	TUBE FLEXIBLE A/AME E	ROHR
N45.03.054	VP066	3	POMELLO FEMMINA M5 IN OTTONE	KNOB	POMMEAU	BALLENGRIFF AUS MESSI
N45.03.055	RO262	1	RONDELLA GROVER D.6	WASHER	RONDELLE	SCHLEIBE





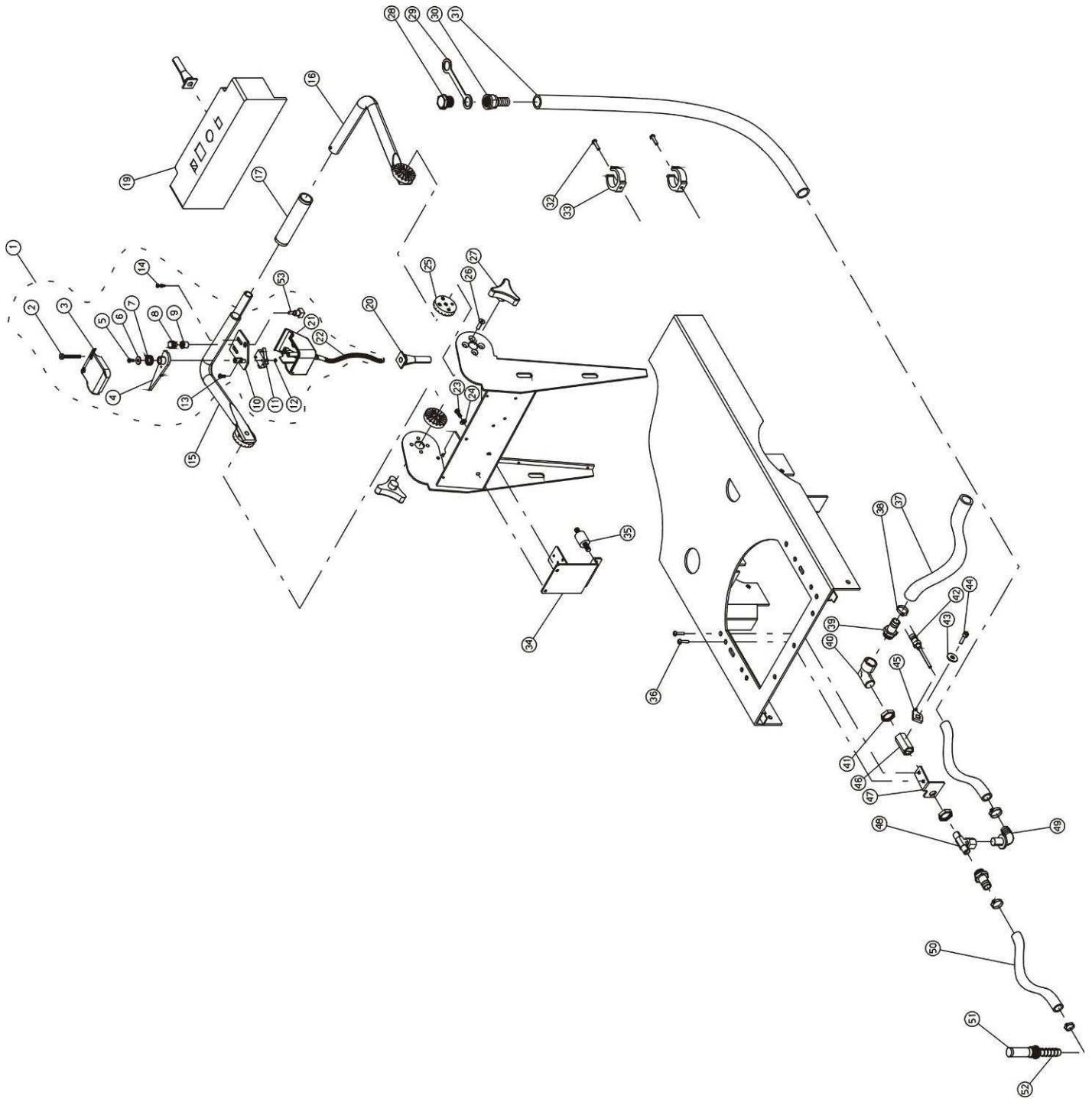


N.Position	Code Num	Qta	Descrizione	Description	Description	Bezeichnung
N45.04.001	VV439	4	VITE SVAS.BRUGOLA M8x16 UNI5933/77	SCREW	VIS	SENKSCRAUBE
N45.04.002	VS421	4	VITE SVASATA TC M6x12 UNI 7688 INOX	SCREW	VIS	SENKSCRAUBE
N45.04.003	RO404	4	RONDELLA NORM.DIAM. 8 UNI 6592 INOX	INOX WASHER	RONDELLE	SCHEIBE
N45.04.004	DD405	4	DADO M8 UNI 5590 INOX	INOX NUT	ECROU	MUTTER
N45.04.005	SU363	1	SUPPORTO RUOTA PIVOTTANTE	SUPPORT	SUPPORT ROUE	HALTER
N45.04.006	RT032	1	RUOTA PIVOTTANTE	WHEEL	ROUE	RAD
N45.04.007	RO405	4	RONDELLA NORM.DIAM. 10 UNI 6592/69	INOX WASHER	RONDELLE	SCHEIBE
N45.04.008	RO456	4	ROSETTA SPACCATA D.10 UNI 1751 INOX	INOX WASHER	RONDELLE	SCHEIBE
N45.04.009	VE481	4	VITE ESAGONALE M10x20 UNI 5737/77 I	SCREW	VIS	SCHRAUBE
N45.04.010	SU244	1	SUPPORTO MOT.TRAZIONE (CON CINGHIA)	SUPPORT	SUPPORT MOTEUR	HALTER
N45.04.011	DD405	1	DADO M8 UNI 5590 INOX	INOX NUT	ECROU	MUTTER
N45.04.012	VE462	1	VITE ESAGONALE M8x25 UNI 5737/77 IN	SCREW	VIS	SECHSECKIGE SCHRAUBE
N45.04.013	BO082	2	BOCCOLA IN OTTONE M5 A TESTA ESAGON	BUSH	DOUILLE	BUCHSE
N45.04.014	MO214	1	MOTORE FIORENTINI 130W 24V 750rpm	FIORENTINI TRACTION M	MOTEUR FIORENTINI 130	MOTOR
N45.04.015	RO403	2	RONDELLA NORM.DIAM. 6 UNI 6592/69 I	INOX WASHER	RONDELLE	SCHEIBE
N45.04.016	DT136	1	DISTANZIALE PULEGGIA MOTORE TRAZION	SPACER	ENTRETOISE	DISTANZSTUECK
N45.04.017	PP024	1	PULEGGIA MOT.TRAZ.D.int.11 D.est.20	DRIVE MOT. PULLEY	POULIE	RIEMENSCHLEIBE
N45.04.018	CI011	1	CINGHIA 711 J8	SWEEP.GR.BELT 711 J8	COURROIE	RIEMEN
N45.04.019	RO402	1	ROSETTA DIAM. 5 UNI 6592/69 INOX	INOX WASHER	RONDELLE	SCHEIBE
N45.04.020	RO505	1	RONDELLA SLARG.D.4x12 UNI6593 INOX	WASHER	RONDELLE	SCHEIBE
N45.04.021	VI053	1	VITE M12 BLOCCAGGIO RUOTA	SCREW	VIS	SCHRAUBE
N45.04.022	RT101	1	RUOTA SINISTRA TRAZIONE GN 200/50-1	WHEEL	ROUE	ANTRIEBSRAD LINKS
N45.04.022	RT105	1	RUOTA SINISTRA TRAZIONE ND200 POLIU	LEFT TRACTION WHEEL N	ROUE TRACTION GAUCHE	ANTRIEBSRAD LINKS
N45.04.023	PP068	1	PULEGGIA TRAZIONE AVANZAMENTO	PULLEY	POULIE	RIEMENSCHLEIBE
N45.04.024	CS007	2	CUSCINETTO A SFERE ASAHI SBPFL 204/	BALL BEARING	ROULEMENT A BILLES	KUGELLAGER
N45.04.025	RO404	4	RONDELLA NORM.DIAM. 8 UNI 6592 INOX	INOX WASHER	RONDELLE	SCHEIBE
N45.04.026	RO455	4	RONDELLA SPACCATA DIAM. 8 UNI 1751A	INOX WASHER	RONDELLE	SCHEIBE
N45.04.027	VE460	4	VITE ESAGONALE M8x16 UNI 5739 INOX	SCREW	VIS	SECHSECKIGE SCHRAUBE
N45.04.028	CH023	1	LINGUETTA 6x6x30 UNI6604-A	TONGUE	CLAVETTE	PASSFEDER
N45.04.029	AL057	1	ASSALE TRAZIONE	WHEEL AXIS	AXE ROUE	ACHSE
N45.04.030	RT102	1	RUOTA DESTRA TRAZIONE GN 200/50-100	WHEEL	ROUE	RAD
N45.04.030	RT106	1	RUOTA DESTRA TRAZIONE ND200 POLIURE	RIGHT TRACTION WHEEL	ROUE TRACTION DROITE	ANTRIEBSRAD RECHTS
N45.04.031	VI054	1	VITE SINISTRORSA M12 BLOCCAGGIO RUO	SCREW	VIS	SCHRAUBE
N45.04.032	PT352	1	PIASTRINA SX SUPPORTO GOMMA PARASPR	LEFT PLATE RUBBER SUP	PLAQUETTE SUPPORT BAV	PLAETTCHEN LINKS
N45.04.033	BP370	1	GOMMA PARASPRUZZI CENTRALE	CENTRAL SPLASH GUARD	BAVETTE GARDE-BOUE CE	SPRITZENSCHUTZGUMMI
N45.04.034	RO454	2	RONDELLA SPACCATA DIAM. 6 UNI 1751A	INOX WASHER	RONDELLE	SCHEIBE
N45.04.035	VE442	2	VITE ESAGONALE M6x12 UNI 5739 INOX	SCREW	VIS	SECHSECKIGE SCHRAUBE
N45.04.036	PT112	1	PIASTRINA SX FISSAGGIO GOMMA PARASP	PLATE	PLAQUETTE	TELLER
N45.04.037	VS413	2	VITE SVASATA TC M5x12 UNI 7688 INOX	SCREW	VIS	SENKSCRAUBE
N45.04.038	DD403	2	DADO M5 UNI 5588/65 INOX	INOX NUT	ECROU	MUTTER
N45.04.039	KIT414	1	ASSEMBLAGGIO ASSALE N45-53	WHEEL AXIS ASS.	ASS.AXE ROUE	ZUSAMMENBAU ACHSE
N45.04.039	KIT868	1	KIT ASSEMBLAGGIO ASSALE C/RUOTE POL	WHEEL AXLE ASSEMBLY	KIT ASSEMBLAGE ASSIEU	ZUSAMMENBAU ACHSE
N45.04.040	PT367	1	PIASTRA AGGANCIAMENTO MOLLA PRESS.SQUEEG	PLATE	PLAQUETTE	PLATTE





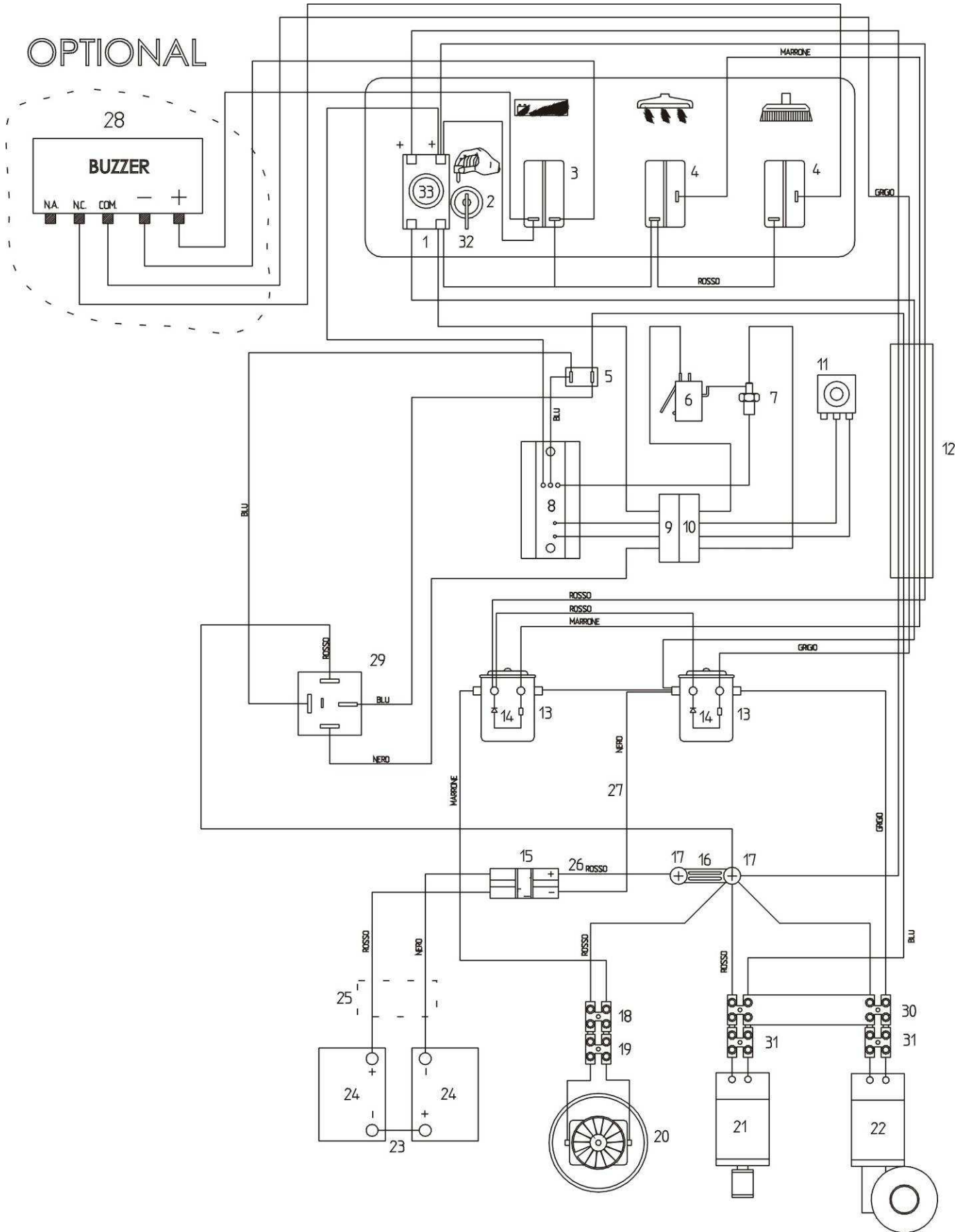
N.Position	Code Num	Qta	Descrizione	Description	Description	Bezeichnung
N45.05.001	VV430	2	VITE SVAS.BRUGOLA M6X16 UNI5931 INO	SCREW	VIS	SCHRAUBE
N45.05.002	MI307	1	LEVA COMANDO ALZA SQUEEGEE/PIATTO	SQUEEGEE/PLATE LEVER	LEVIER SUCEUR/PLATEAU	SAUGFUSS- UND PLATTHE
N45.05.003	MI310	1	POMELLO NERO AE300	BLACK KNOB	POIGNEE NOIRE	SCHWARZER KNOPF
N45.05.004	BO098	1	BOCCOLA PASSA FILO IN OTTONE	BUSH	DOUILLE	BUCHSE
N45.05.005	MI145	1	FILO AD OCCHIO D=8mm L=620mm	WIRE	FIL	DRAHT
N45.05.006	MV054	1	MORSETTO FILO	WIRE TERMINAL	ETAU	DRAHTKLEMME
N45.05.007	VE442	1	VITE ESAGONALE M6x12 UNI 5739 INOX	SCREW	VIS	SECHSECKIGE SCHRAUBE
N45.05.008	ST069	1	STAFFA SUPPORTO LEVA SOLLEVAM. SQUE	BRACKET	SUPPORT	BUEGEL
N45.05.009	CP211	1	COPIGLIA DIAM.3x30 UNI 1336	SPLIT PIN	GOUPILLE	SPLINT
N45.05.010	LV246	1	LEVA DI SOLLEVAMENTO SQUEEGEE	LEVER	LEVIER	HEBEL
N45.05.011	DD403	1	DADO M5 UNI 5588/65 INOX	INOX NUT	ECROU	MUTTER
N45.05.012	VP002	1	POMELLO M8	KNOB	POMMEAU	BALLENGRIFF
N45.05.013	RO500	2	RONDELLA SLARG.D.5X15 UNI6592/69 IN	INOX WASHER	RONDELLE	SCHEIBE
N45.05.014	DT178	1	DISTANZIALE x FILO De=8,Di=5,L=7	SPACER	ENTRETOISE	ABSTANDSTUECK
N45.05.015	VC414	1	VITE CILIN.CROCE M5x20 UNI 7687 IN	SCREW	VIS	ZYLINDERSCHRAUBE
N45.05.016	PE306	1	PERNO LUNGO OSCILLAZIONE SQUEEGEE	LONG PIN	PIVOT LONG	LANGER STIFT
N45.05.017	CP210	1	COPIGLIA DIAM.3x20 UNI 1336	SPLIT PIN	GOUPILLE	SPLINT
N45.05.018	VC446	1	VITE CILIN.CROCE M6x50 UNI 7687 INO	CYLINDRIC SCREW	VIS CYLINDRIQUE	ZYLINDERSCHRAUBE
N45.05.019	ML183	1	MOLLA PRESSIONE SPAZZOLE	BRUSH PRESSURE SPRING	RESSORT PRESSION DES	DRUCKFEDER
N45.05.020	PE305	1	PERNO CORTO OSCILLAZIONE SQUEEGEE	SHORT PIN	PIVOT COURT	KURZER FEDER
N45.05.021	CP210	1	COPIGLIA DIAM.3x20 UNI 1336	SPLIT PIN	GOUPILLE	SPLINT
N45.05.022	SP020	1	SPINA ELASTICA 6x25 UNI 6874/71	TENSION PIN	CONNECTEUR	SPANNSTIFT
N45.05.023	DD405	1	DADO M8 UNI 5590 INOX	INOX NUT	ECROU	MUTTER
N45.05.024	MV168	1	TRAFILA M8x40 ACCIAIO INOX	DRAWPLATE	FILIERE M8x40 ACIER	GEWINDESTIFT
N45.05.025	DD403	1	DADO M5 UNI 5588/65 INOX	INOX NUT	ECROU	MUTTER
N45.05.026	SN012	1	FORCELLA X CUSCINETTO ROTAZIONE SQU	FORK	FOURCHE POUR COUSSINE	GABEL
N45.05.027	VE425	1	VITE ESAGONALE M5X20 UNI 5737-77 IN	SCREW	VIS	SCHRAUBE
N45.05.028	CS087	1	CUSCINETTO 625DDMC3E	BEARING	COUSSINET	LAGER
N45.05.029	ST176	1	STAFFA SUPPORTO SQUEEGEE	SQUEEGEE SUPPORT BRAC	MOULE SUPPORT SQUEEGEE	BUEGEL
N45.05.030	DD405	1	DADO M8 UNI 5590 INOX	INOX NUT	ECROU	MUTTER
N45.05.031	MI202	1	GOLFARE M8 L=25	EYEBOLT	OUILLET	RINGSCHRAUBE
N45.05.032	GH006	2	GHIERA REGOLAZIONE INCLINAZ. SQUEEG	TILT ADJ. RING NUT	EMBOUT	GITTER
N45.05.033	VI007	1	REGOLATORE SQUEEGEE	REGULATORS	REGULATEUR	SAUGFUSSREGLER
N45.05.034	TB131	1	TUBO FLEX ANIMA IN ACCIAIO D.38 L=8	HOSE	TUYAU FLEX D.38 L=850	ROHR
N45.05.035	VL450	4	DADO AD ALETTE M6 INOX	NUT	ECROU	MUTTER
N45.05.036	RO501	4	RONDELLA SLARG.D.6X18 UNI6593 INOX	INOX WASHER	RONDELLE	SCHEIBE
N45.05.037	LM631	1	LISTELLO ANT.INOX X SQUEEGEE PARABOL	INOX FRONT LISTEL FOR	LISTEL ANTER. INOX PO	VORDERLEISTE
N45.05.038	BP339	1	LAMA ANTERIORE SQUEEGEE	SQUEEGEE FRONT BLADE	BAVETTE AVANT SUCEUR	VORDERMESSER
N45.05.039	VE469	2	VITE ESAGONALE M8X60 UNI5737/77 INO	SCREW	VIS	SECHSECKIGE SCHRAUBE
N45.05.040	RO404	2	RONDELLA NORM.DIAM. 8 UNI 6592 INOX	INOX WASHER	RONDELLE	SCHEIBE
N45.05.041	RT155	2	PARAFILO X RUOTA RT154	WIRE	GARDE-FIL POUR ROUE R	MANTEL
N45.05.042	RT154	2	RUOTA PARACOLPI GRIGIA 100X30	GREY SHOCK ABSORBER W	ROUE HEURTOIRE GRISE	RAD
N45.05.043	BO202	2	BOCCOLA RUOTA PARACOLPI 12x1.5x41	BUSH	COQUILLE ROUE HEURTOI	BUCHSE
N45.05.044	SQ071	1	SQUEEGEE PARABOLICO X LAME REVERSIB	PARABOLIC SQUEEGEE	SQUEEGEE PARABOLIQUE	SAUGFUSS
N45.05.045	CP260	1	COPIGLIA A GIRAMOLLA D.3	SPLIT PIN	GOUPILLE	SPLINT
N45.05.046	CO252	1	COPERCHIO SIFONE SQUEEGEE	COVER	COUVERCLE SIPHON SUCE	DECKEL
N45.05.047	PE295	1	PERNO FISSAGGIO SQUEEGEE PARABOLICO	PARABOLIC SQUEEGEE FI	PIVOT DE FIXAGE SUCEU	BOLZEN
N45.05.048	MI171	1	CATENELLA 7 MAGLIE 1.5x8x17	CHAIN	CHAIN	KETTE
N45.05.049	VC409	1	VITE CILIN.CROCE M5x6 UNI 7687 INOX	SCREW	VIS	ZYLINDERSCHRAUBE
N45.05.050	DD405	1	DADO M8 UNI 5590 INOX	INOX NUT	ECROU	MUTTER
N45.05.051	VE420	2	VITE ESAGONALE M5x8 UNI 5737-77 INO	SCREW	VIS	SECHSECKIGE SCHRAUBE
N45.05.052	GR185	1	GUARNIZIONE OR IN VITON 82X3	GASKET	GARNITURE	DICHTUNG
N45.05.053	VE461	1	VITE ESAGONALE M8X20 UNI 5737-77 IN	SCREW	VIS	SECHSECKIGE SCHRAUBE
N45.05.054	DD405	1	DADO M8 UNI 5590 INOX	INOX NUT	ECROU	MUTTER
N45.05.055	MV139	4	TRAFILA M6X28 INOX	STRAINER M6x28	FILIERE M6x28 INOX	GEWINDESTIFT
N45.05.056	KIT1007	1	KIT LAME PER SQUEEGEE	SQUEEGEE BLADES KIT	JEU BAVETTES ASPIRATI	MESSERZUSAMMENBAU
N45.05.057	KIT1008	1	KIT ASSEMBLAGGIO SQUEEGEE	SQUEEGEE ASSY	KIT ASSEMBLAGE SQUEEG	SAUGFUSSZUSAMMENBAU
N45.05.058	VS410	2	VITE SVASATA T/C M4x10 UNI 7688 INO	SCREW	VIS	SENKSCRAUBE
N45.05.059	CC022	1	GANCIO ATTACCO LISTELLO POSTERIORE	HOOK	CROCHET LATTE POSTERI	HAKEN
N45.05.060	DD451	2	DADO AUTOBLOCCANTE M4 INOX UNI 7473	SELF-LOCKING NUT	ECROU DE SURETE	SICHERUNGSMUTTER
N45.05.061	LM632	1	LISTELLO POST.INOX X SQUEEGEE PARABO	INOX REAR LISTEL FOR	LISTEL POST. INOX POU	RUECKLEISTE
N45.05.062	BP378	1	LAMA POSTERIORE SQUEEGEE	SQUEEGEE REAR BLADE	BAVETTE ARRIERE	RUECKMESSER





N.Position	Code Num	Qta	Descrizione	Description	Description	Bezeichnung
N45.06.001	KIT854	1	KIT ASSEMBLAGGIO LEVA AVANZAMENTO	FORWARD LEVER KIT	KIT ASSEMBLAGE LEVIER	HEBELZUSAMMENBAU
N45.06.002	VS419	2	VITE SVASATA TC M5x35 INOX UNI7688	SCREW	VIS	SENKSCRAUBE
N45.06.003	CO175	1	COPERCHIO SUPERIORE LEVA AVANZAMENT	COVER	COUVERCLE	OBENDECKEL
N45.06.004	LV297	1	LEVA AVANZAMENTO IN PLASTICA	DRIVE LEVER	LEVIER	PLASTIKVORSCHUBSHEBEL
N45.06.005	VA406	1	VITE AUTOFILET. TC 3.5x13 INOX	SCREW TC 3.5X13 STAIN	VIS	SCHRAUBE
N45.06.006	RO501	1	RONDELLA SLARG.D.6X18 UNI6593 INOX	INOX WASHER	RONDELLE	SCHEIBE
N45.06.007	ML125	1	MOLLA RITORNO LEVA AVANZ. C72 3 SPI	SPRING	RESSORT	FEDER
N45.06.008	IG023	1	INGRANAGGIO IN PLASTICA	PLASTIC GEAR	ENGRENAGE	PLASTIKGETRIEBE
N45.06.009	BO071	1	BOCCOLA POTENZIOMETRO	POTENTIOMETER BUSH	DOUILLE	POTENTIOMETERBUCHSE
N45.06.010	SU170	1	BASETTA IN PLASTICA SUPPORTO MICRO	PLASTIC BASE	SUPPORT	SOCKEL
N45.06.011	IN009	1	MICRO SWITCH	MICROSWITCH	MICRO INTERRUPTEUR	MIKROSCHALTER
N45.06.012	DD452	1	DADO AUTOBLOCCANTE M5 INOX	INOX SELF-LOCKING NUT	ECROU DE SURETE	SICHERUNGSMUTTER
N45.06.013	VS429	1	VITE SVASATA TC 3x18 INOX	SCREW	VIS	SENKSCRAUBE
N45.06.014	VA560	2	VITE AUTOFORANTE TC 3,5x16 UNI 6954	SCREW	VIS	SCHRAUBE
N45.06.015	MN095	1	SEMIMANICO DX	RIGHT HALF HANDLE	SEMI-POIGNEE DROITE	RECHTER HALBHANDGRIFF
N45.06.016	MN094	1	SEMIMANICO SX	LEFT HALF HANDLE	SEMI-POIGNEE GAUCHE	LINKER HALBHANDGRIFF
N45.06.017	MN065	2	MANOPOLA CON FORO ART.738	HAND GRIP	POIGNEE	KNOPF
N45.06.019	PL043	1	PLANCIA COMANDI	CONTROL BOARD	TABEUAU DE BORD	TAFEL
N45.06.020	PY309	2	PASSACAVO IN GOMMA NERA	BLACK RUBBER FAIRLEAD	PASSECCABLE NOIR	KABELDURCHGANG AUS SC
N45.06.021	CO176	1	COPERCHIO INFERIORE LEVA AVANZAMENT	COVER	COUVERCLE	UNTENDECKEL
N45.06.022	CW092	1	CAVO PER SCATOLA LEVA AVANZAMENTO	CABLE	CABLE	KABEL
N45.06.023	VC410	4	VITE CILIN.CROCE M5x12 UNI 7687 INO	SCREW	VIS	ZYLINDERSCHRAUBE
N45.06.024	RO500	4	RONDELLA SLARG.D.5X15 UNI6592/69 IN	INOX WASHER	RONDELLE	SCHEIBE
N45.06.025	MV073	2	CERNIERA DENTATA PER ROTAZIONE MANI	HINGE FOR HANDLE ROTA	CHARNIERE ROT.POIGNEE	CHARNIER
N45.06.026	VS421	8	VITE SVASATA TC M6x12 UNI 7688 INOX	SCREW	VIS	SENKSCRAUBE
N45.06.027	VP022	2	POMELLO M8x30 A 3 LOBI	KNOB M8x30	POMMEAU	KNOPF
N45.06.028	RC132	1	TAPPO 1/2" IN PVC CON LAVORAZ	PLUG 1/2" PVC	BOUCHON EN PVC	VERSCHLUSS
N45.06.029	GR126	1	GUARNIZIONE FERMA TAPPO SBR 2 mm	GASKET	GARNITURE	DICHTUNG
N45.06.030	RC089	1	RACCORDO F.1/2" IN PVC P/GOMMA 15-	UNION	RACCORD	ANSCHLUSS
N45.06.031	TB381	1	TUBO D.14 C/ANIMA IN ACCIAIO L=1200	HOSE D. 14 STEEL INSI	TUBE D.14 A/AME EN AC	ROHR
N45.06.032	VC414	2	VITE CILIN.CROCE M5x20 UNI 7687 IN	SCREW	VIS	ZYLINDERSCHRAUBE
N45.06.033	ML120	2	MOLLA TUBO SCARICO SOLUZIONE	SPRING	RESSORT	FEDER
N45.06.034	SU366	1	SUPPORTO SPINA DI CARICA BATTERIE	SUPPORT	SUPPORT	HALTER
N45.06.035	PY263	2	SUPPORTO PER FUSE MORSETTIERA	TERMINAL BOARD SUPPOR	SUPPORT	HALTER
N45.06.036	VB474	2	VITE TESTA BOMBATA M8X16 INOX	COUNTERSUNK SCREW	VIS	HALBRUNDSCHRAUBE
N45.06.037	TB380	1	TUBO D.14 C/ANIMA IN ACCIAIO L=315m	HOSE D.14 STEEL INSID	TUBE D.14 A/AME EN AC	ROHR
N45.06.038	FS002	4	FASCETTA 12/20 INOX FASCIA 9	CLAMP 12/20	BANDE 12/20 INOX	SHELLE
N45.06.039	RC002	2	RACCORDO 3/8 MASCHIO P/GOMMA 12	UNION	RACCORD	ANSCHLUSS
N45.06.040	RC073	1	RACCORDO M/F 90° 3/8	UNION	RACCORD	ANSCHLUSS
N45.06.041	GH007	1	GHIERA RUBINETTO SOLUZIONE 3/8	SOLUT.VALVE RING NUT	EMBOU	GITTER
N45.06.042	MI358	1	CAVO APERTURA ACQUA SOLUZIONE	CABLE FOR SOLUTION WA	CABLE OUVERTURE EAU S	KABEL
N45.06.043	RO500	1	RONDELLA SLARG.D.5X15 UNI6592/69 IN	INOX WASHER	RONDELLE	SCHEIBE
N45.06.044	WB010	1	VITE BRUGOLA CIL.10-24x3/8" BRUNITA	SCREW	VIS	SCHRAUBE
N45.06.045	LV396	1	LEVA APERTURA RUBINETTO	COCK LEVER	LEVIER ROBINET	HAHNHEBEL
N45.06.046	RB005	1	RUBINETTO SOLUZIONE F/F 3/8G L=41mm	VALVE	ROBINET	LOESUNGSHAHN
N45.06.047	SU657	1	SUPPORTO RUBINETTO SOLUZIONE	SOLUTION TAP SUPPORT	SUPPORT ROBINET SOLUT	STUETZ
N45.06.048	RC118	1	RACCORDO A" T" OTTONE NICHELATO 3/8"	UNION	JOINT A "T"	ANSCHLUSS
N45.06.049	RC083	1	RACCORDO 3/8 M/PORTAGOMMA 15 A 90°	UNION	RACCORD	ANSCHLUSS
N45.06.050	TB379	1	TUBO D.14 C/ANIMA IN ACCIAIO L=205m	HOSE D.14 STEEL INSID	TUBE D.14 A/AME EN AC	ROHR
N45.06.051	FT056	1	FILTRO SOLUZ.IN ACCIAIO MAGLIE STRE	STEEL SOLUTION FILTER	FILTRE SOLUTION EN AC	FILTER
N45.06.052	RC184	1	RACCORDO DI 1/2"G IN PLASTICA	FITTING	RACCORD	ANSCHLUSS
N45.06.053	PY551	1	POTENZIOMETRO 10K FRESATO	POTENTIOMETER	POTENZIOMETRE	POTENZIOMETER

OPTIONAL





N.Position	Code Num	Qta	Descrizione	Description	Description	Bezeichnung
N45.07.001	IN099	2	FRUTTO NORMALMENTE APERTO	NORMALLY OPEN CONTACT	CONTAT NORMAL.OUVERT	KONTAKT
N45.07.002	IN112	1	INTERRUTTORE A CHIAVE	KEY SWITCH	INTERRUPTEUR A CLEF	SCHLUESSELSCHALTER
N45.07.003	PY378	1	INDICATORE DI CARICA BATTERIA 24V	BATTERY INDICATOR	INDICATEUR	STATUSANZEIGER
N45.07.004	IN091	2	INTERRUTTORE BASCULANTE X DELUX350B	SWITCH	INTERRUPTEUR	SCHALTER
N45.07.005	PY369	1	MICRO DISGIUNTORE 10A	OVERLOAD CUTOUT	MICRODISGIUNTEUR	MICRO
N45.07.006	IN009	1	MICRO SWITCH	MICROSWITCH	MICRO INTERRUPTEUR	MIKROSCHALTER
N45.07.007	PY234	1	DIODO GEO 8420 M16 200	DIODE	DIODE	DIODE
N45.07.008	PY324	1	GRUPPO ELETTRONICO ETC35 24V	ELECTRONIC GROUP	GROUPE ELECTRONIQUE	ELEKTR. GRUPPE
N45.07.009	PY698	1	CONNETTORE 4 POLI PORTA-FEMMINA	CONNECTOR	CONNECTEUR	4-POLIGER KONTAKTSTIF
N45.07.010	PY699	1	CONNETTORE 4 POLI PORTA-MASCHIO	CONNECTOR	CONNECTEUR	4-POLIGE STECKERHUELS
N45.07.011	PY551	1	POTENZIOMETRO 10K FRESATO	POTENTIOMETER	POTENZIOMETRE	POTENZIOMETER
N45.07.012	MI195	1	GUAINA ROSSA D.20 L.300	SHEATH	GAINE	MANTEL
N45.07.013	SL001	2	SOLENOIDE 24 VOLT	SOLENOID	SOLENOIDE 24 VOLT	SOLENOID
N45.07.014	PY204	2	RETE ANTIDISTURBO "SPEGNIPICCO"	NET	RESEAU	NETZ
N45.07.015	PY533	2	SPINA CARICABATTERIA SBE 80 A	PLUG	PRISE CHARGEUR 80A	BATTERIELADEGERAETSTE
N45.07.016	PY289	1	FUSIBILE LAMELLARE 75A	FUSE	FUSIBLE	FLACHSICHERUNGSEINSAT
N45.07.017	PY263	2	SUPPORTO PER FUSE MORSETTIERA	TERMINAL BOARD SUPPOR	SUPPORT	HALTER
N45.07.018	PY058	1	SPINA FEMMINA MOTORE ASPIRAZIONE	FEMALE PLUG	CONNECTEUR	DOSE
N45.07.019	PY114	1	SPINA MASCHIO MOTORE ASPIRAZIONE	MALE PLUG	CONNECTEUR	STECKER
N45.07.020	MO408	1	MOTORE ASPIRAZIONE 24V 550W CONVOGL	VAC MOTOR 24V TANGENT	MOTEUR ASPIRATION	ANSAUGMOTOR
N45.07.021	MO214	1	MOTORE FIORENTINI 130W 24V 750rpm	FIORENTINI TRACTION M	MOTEUR FIORENTINI 130	MOTOR
N45.07.022	MO213	1	MOTORIDUTTORE FIORENTINI 750W 36V	GEARMOTOR	MOTOREDUCTEUR	GETRIEBEMOTOR
N45.07.023	PY001	1	CAVO COLLEGAM. BATTERIE S=10mmq L=3	BATTERY CONNECT.CABLE	CABLE	BATTERIEKABEL
N45.07.024	BT999	2	BATTERIA	BATTERY	BATTERIE	BATTERIE
N45.07.025	CW402	1	CAVO BATTERIA N45B/53NEW L=1400mm	BATTERY CABLE L=1400m	CABLE BATTERIE L=1400	BATTERIEKABEL
N45.07.026	PY583	1	CAVO POS. A SPINA BATT.10mmq L=200	POS.CABLE	CABLE POS.	KABEL+
N45.07.027	PY584	1	CAVO NEG. A SPINA BATT.10mmq L=200	NEG.CABLE	CABLE NEG.	KABEL-
N45.07.028	PY640	1	BUZZER SOTTOTENSIONE C/BLOCCO FORCH	24V BATTERY INDICATOR	BUZZER 24V	UNTERSpannungSCHALLSI
N45.07.029	SL006	1	RELAIS A 5 CONTATTI 24V 20A	RELAY	RELAIS	RELAIS
N45.07.030	PY350	1	MORSETTIERA 4 POLI FV 51 FEMMINA	CONNECTOR	CONNECTEUR	KLEMMENBRETT
N45.07.031	PY528	2	MORSETTIERA 2 POLI FV 51 MASCHIO	TERMINAL BOARD	BORNIER	KLEMMENBRETT
N45.07.032	IN096	1	CHIAVE PER INTERRUTTORE	KEY	CLES	SCHALTERSCHLUESSEL
N45.07.033	PY1116	1	PORTACONTATTI IN FERRO	IRON CONTACT HOLDER	PORTE CONTACT EN FER	KONTAKTEHALTER AUS STAHL



Mat. n.  
Serial no.  
Nr. de serie

\_\_\_\_\_

Data di spedizione  
Date of shipment  
Date de spedition

\_\_\_\_\_

Distributed by:

**ING. O. FIORENTINI S.p.A.**  
“THE BEST IN FLOOR MACHINES”

**FILIALI:**

20132 MILANO – Fax. 02/2592779

Via Palmanova 211/a – Tel. 02/27207783 - 2564810

00012 Guidonia Montecelio (ROMA) – Fax. (0774)353419 - 353314

Via Ponte Corvo 20 – Tel. (0774)357184 - 353015

**STABILIMENTO:**

50030 PIANCALDOLI (FI) – Fax. 055/817144

Loc. Rombola – Tel. 055/8173610