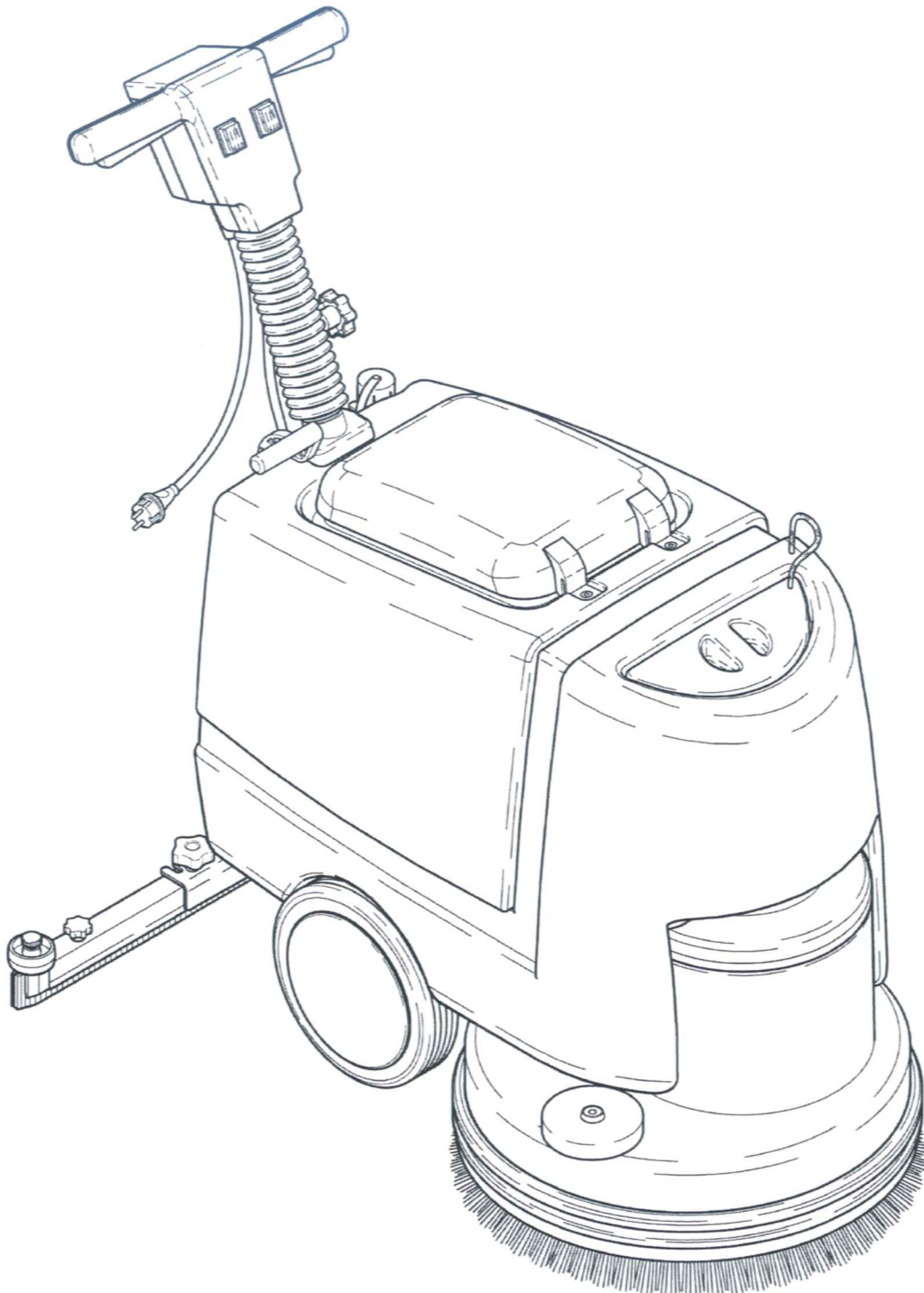


Ersatzteilliste  
Spare parts list  
Liste des pièces de rechange



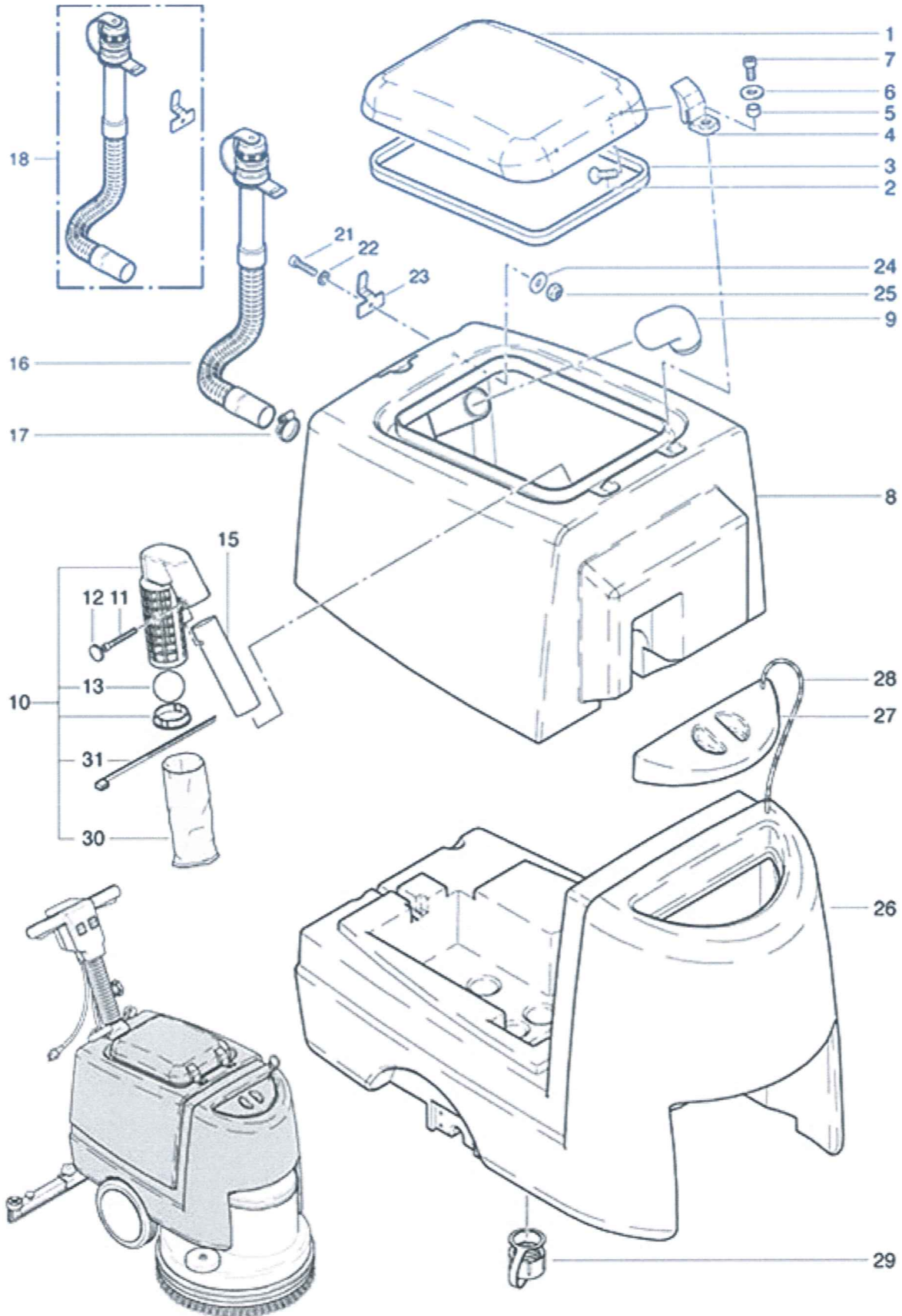
**RA 501 E**

Hartbodenreinigungsmaschine  
Hard floor cleaners  
Automates de nettoyage pour sols durs



RA 501 E  
Clean water tank and Waste water tank

As at: 06/27/11 Time:16:11



## RA 501 E

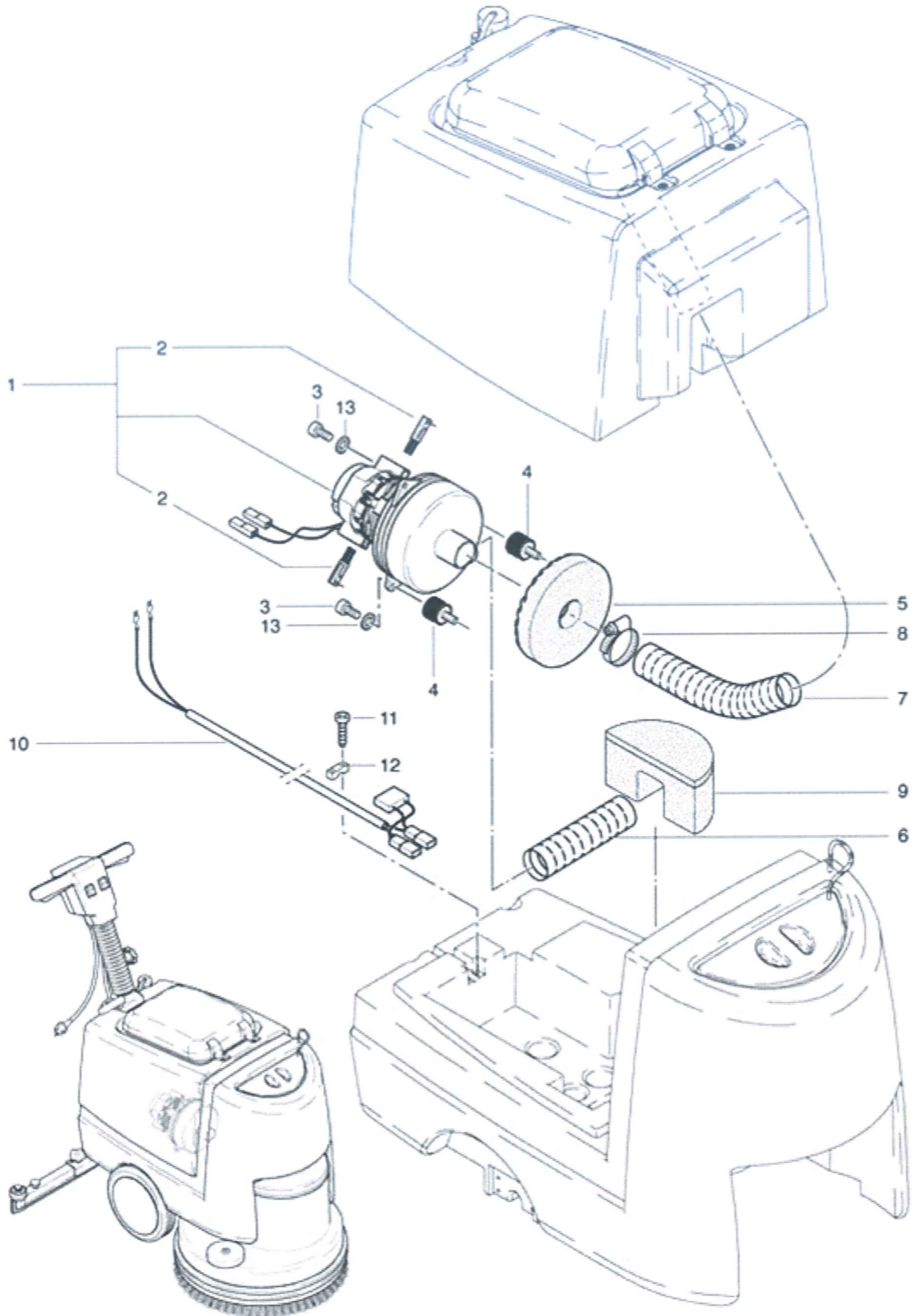
### Clean water tank and Waste water tank

As at: 06/27/11 Time:16:11

<b>Pos.</b>	<b>Description</b>	<b>Reference</b>
01	Cover	710.120
02	Contersunk screw M 4x8	P...480 O
03	Seal for Cover	710.121
04	Frame-joint cover	710.122
05	Distance piece	430.618
06	Washer M 6	P...497 K
07	Cylindrical screw M 5x12	P...488 B
08	Waste water tank	432.200
09	Angled piece	560.674
10	Float basket kompl.	432.300
11	Cylindrical screw M 6x50	P...488 M
12	Screw knob M 6x20	P...494 X
13	Ball Ø 45mm	432.304
15	Suction tube to blower	432.205
16	Discharge hose cpl. 630mm	P...561
17	Hose clamp	P...206 D
18	Discharge hose Set up to Masch. Nr. 9040.001	432.111
21	Cylindrical screw M 5x25	P...488 K
22	Washer M 5	P...497 G
23	Hose support	P...109 G
24	Washer M 5	P...497 E
25	Stop-nut M 5	P...492 G
26	Clean water tank	432.100
27	Freshwater tank cover	432.115
28	Cord Ø 3x260 mm	432.750
29	Cover for expiration	432.110
30	Filter bag	432.315
31	Cable tie 2.4 mm x 203 mm	P...609 B

RA 501 E  
Vacuum motor assembling

As at: 06/27/11 Time:16:09





## RA 501 E

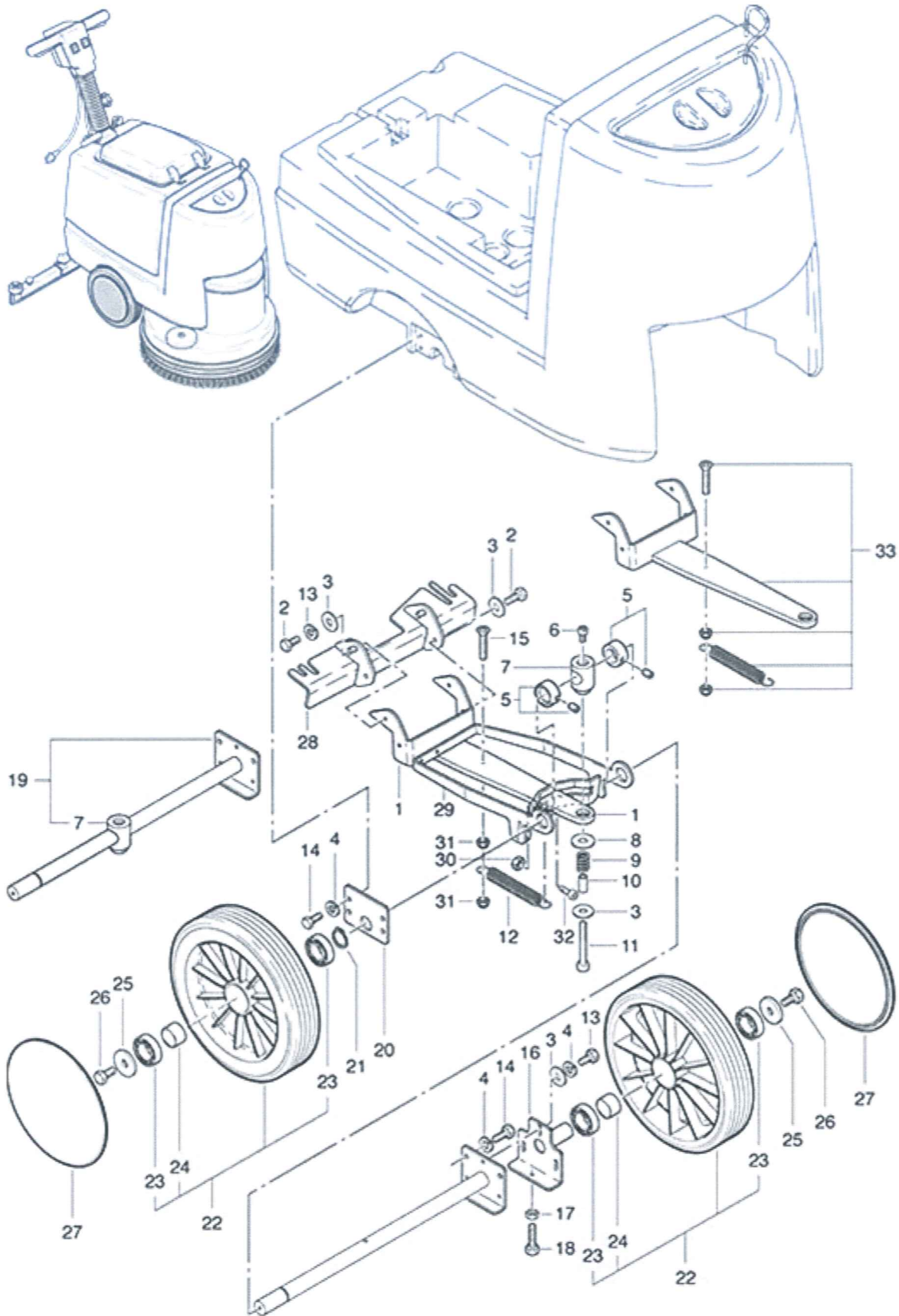
### Vacuum motor assembling

As at: 06/27/11 Time:16:09

<b>Pos.</b>	<b>Description</b>	<b>Reference</b>
01	Vacuum motor	P...880
02	Pair of carbon brushes OEP	P...870 KB
03	Cylindrical screw M 6x12	P...486 Q
04	Round buffer M 6	500.499
05	Noise absorber	432.349
06	Exhaust air hose suction blower compl.	432.351
07	Suction hose size NW 38x280	432.352
08	Hose clamp	P...206 D
09	Muffler blower compl.	432.353
10	Cabke tree with capacitor	432.319 A
11	Fillister-head screw M 5x16	P...476 E
12	Cable clamp	4611085
13	Washer M 6	P...499 D

RA 501 E  
Chassis and Wheel

As at: 06/27/11 Time:16:08



## RA 501 E

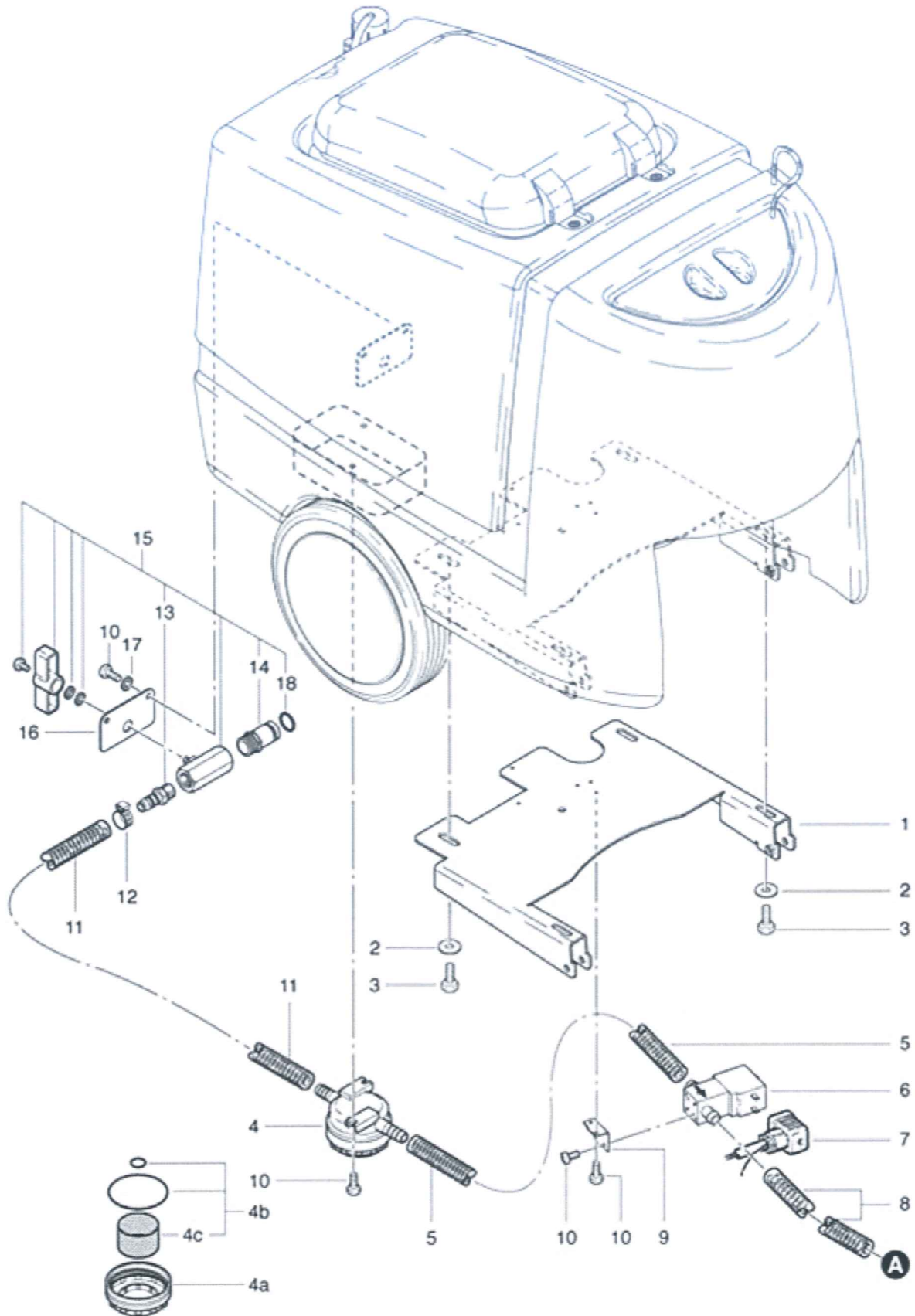
### Chassis and Wheel

As at: 06/27/11 Time:16:08

Pos.	Description	Reference
01	Lever compl.	432.982
02	Hexagon screw M 6x12	P...470 R
03	Washer M 6	P...496 L
04	Spring ring M 6	P...498 U
05	Tension ring with thred pin Ø 10/20/10	P...335
06	Screw M 6x10	P...486 YC
07	Ball stud	432.063
08	Washer M 10.5x30x2.5	P...496 S
09	Compression spring Ø 12.5x22	432.083
10	Distance washer	432.081
11	Cylindrical screw M 6x40	P...486 Y
12	Spring	432.084 A
13	Hexagon screw M 6x10	P...471 Z
14	Hexagon screw M 6x16	P...470 T
15	Countersunk screw M 6x25	P...480 H
16	Clamping plat adjustably	432.061
17	Hexagon nut M 6	P...490 D
18	Hexagon screw M 6x20	P...470 X
19	Axle compl. incl. Pos. 7	432.060
20	Clamping plate	432.062
21	Security ring A 20	P...513 EA
22	Wheel Ø 200x53 mm including Items 23+24	530.240
23	Ball bearing	P...316 R
24	Distance piece	530.246
25	Washer M 6x25	P...497 Y
26	Hexagon screw M 6x12	P...470 R
27	Wheel cover	530.242
28	Nozzle support angle	432.380
29	Nozzle holder	432.080
30	Hexagon nut M 8	P...492 N
31	Locknut M 6	P...492 K
32	Hexagon screw M 8x16	P...489 I
33	Lever compl. up to Masch. No. 8820.001	432.075

**RA 501 E**  
**Magnetic valve and Filter assembling**

As at: 06/27/11 Time:16:10





## RA 501 E

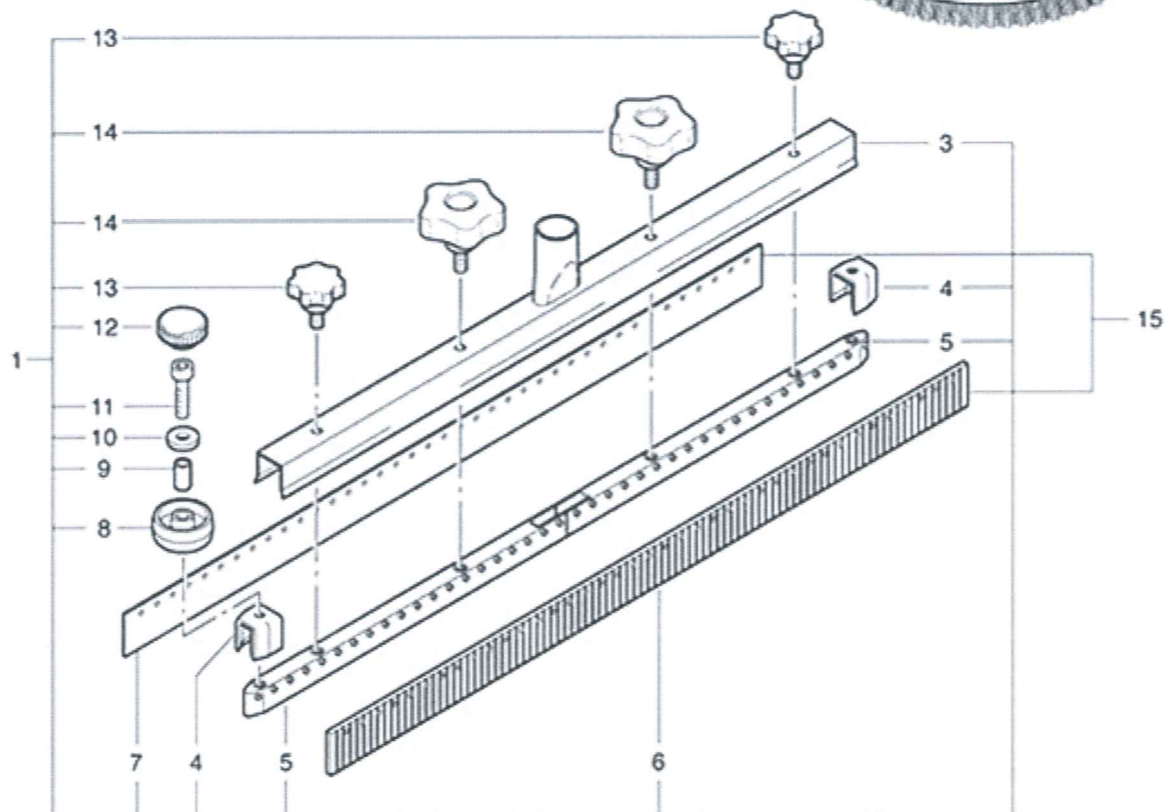
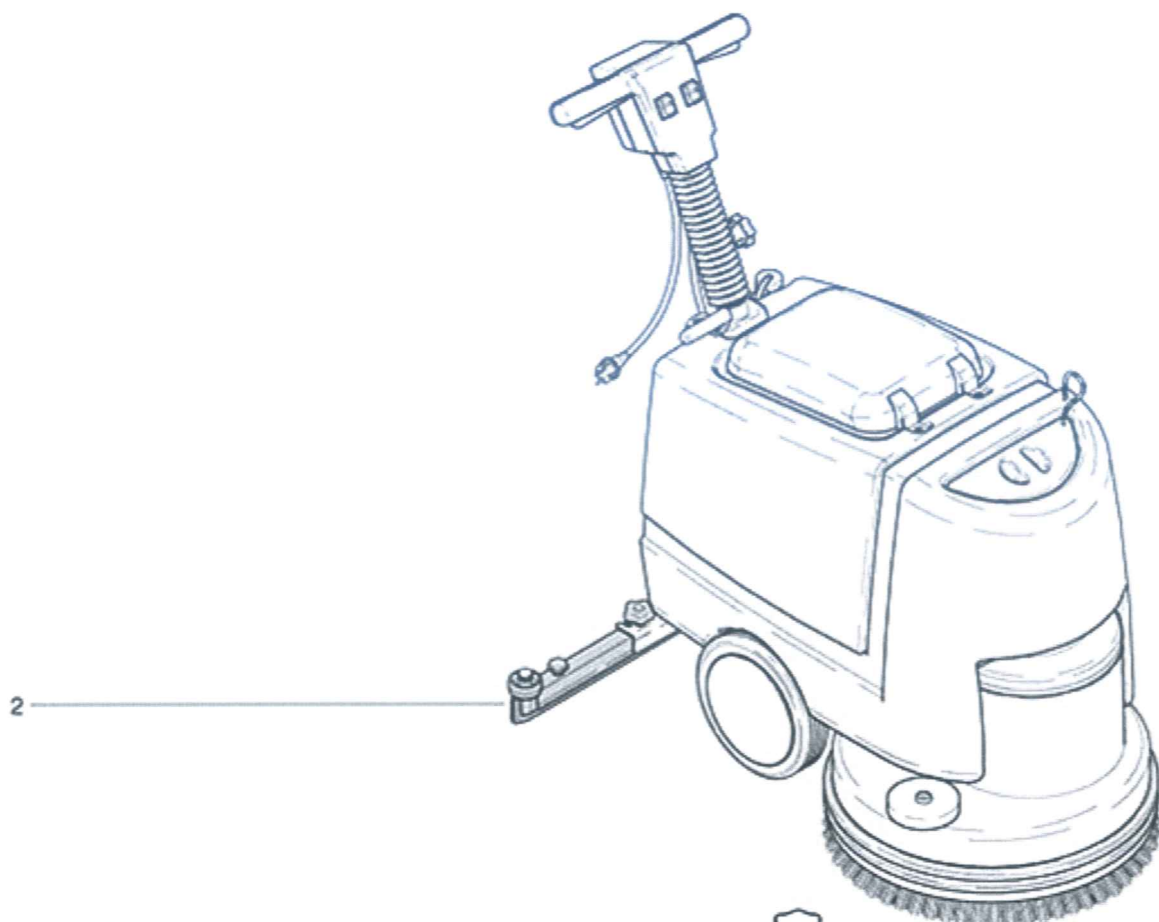
### Magnetic valve and Filter assembling

As at: 06/27/11 Time:16:10

<b>Pos.</b>	<b>Description</b>	<b>Reference</b>
01	Girder sheet metal	432.052
02	Washer M 6	P...496 L
03	Cylindrical screw M 6x12	P...486 Q
04	Filter	430.759
04a	Filter cover	430.258
04b	Filter kit	430.759 A
04c	Filter	430.759 B
05	Hose 390 mm	432.151
06	Magnetic valve 230 V	P...257
07	Cable for magnetic valve	432.710
08	Hose 225 mm	432.152
09	Valve support plate	501.233
10	Filister-head screw M 5x10	P...481 Z
11	Hose 225 mm	432.152
12	Hose clip Ø 19.8 mm	P...550 N
13	Straight nipple	P...519 B
14	Straight	432.087
15	Valve compl.	432.085
16	Disk to ball valve	432.088
17	Spring ring M 5	P...498 D
18	O-ring 15.88x2.62 mm	P...960 O

**RA 501 E**  
**Suction nozzle even**

As at: 06/27/11 Time:16:07



## RA 501 E

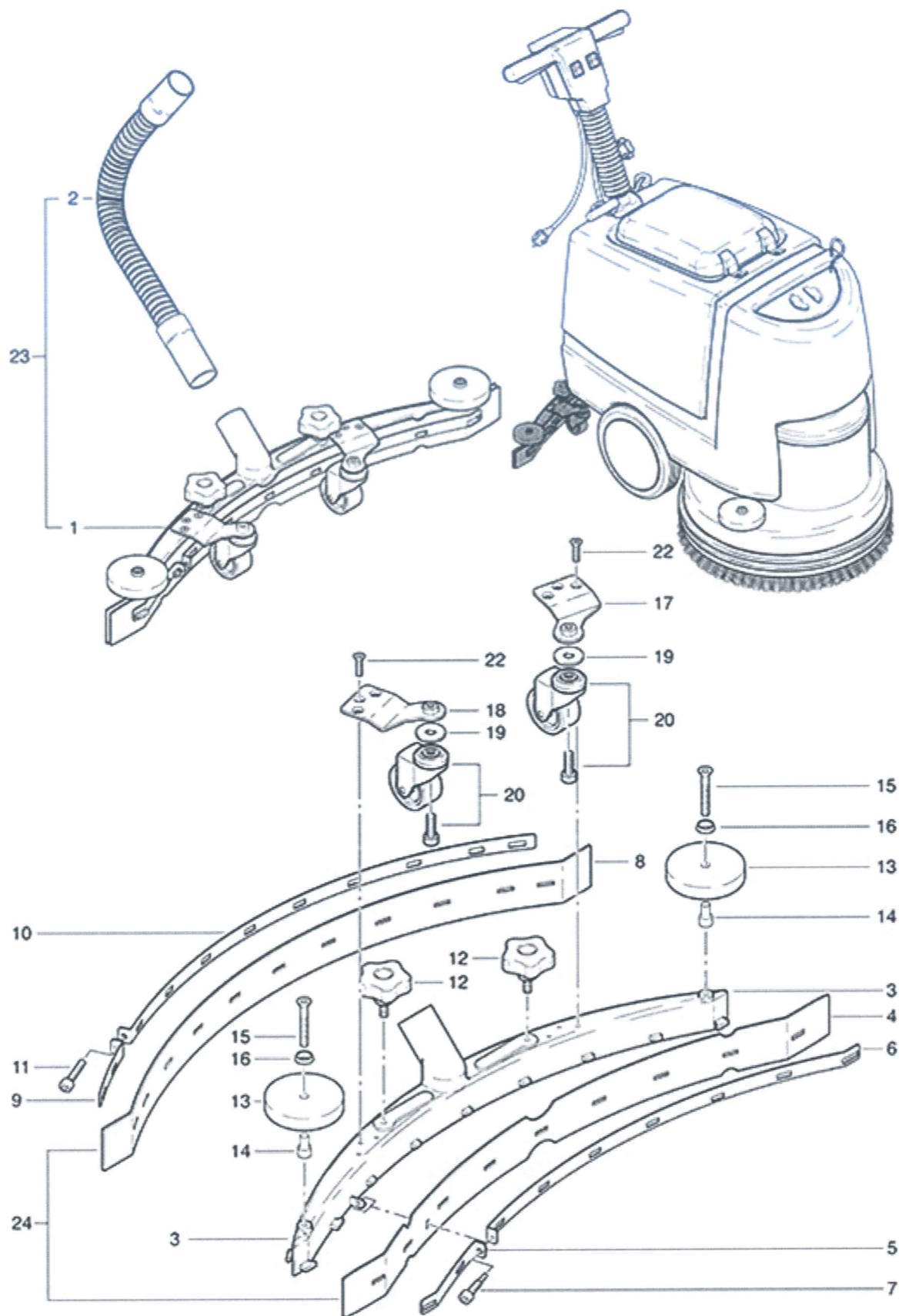
### Suction nozzle even

As at: 06/27/11 Time:16:07

Pos.	Description	Reference
01	Suction nozzle 80 cm, compl.oil and fatsteadilyincluding items 3-14	510.651
02	Suction nozzle even 80 cm compl.including items 3-15	501.025
03	Clamping guide	430.602
04	Nozzle end piece	530.606
05	Nozzle insert	530.601
06	Rubber blade (brown)	530.603
07	Rubber blade (blue)	530.605
08	Fender wheel Ø 50 mm	450.364 F
09	Distance piece 6/8x27.5 mm	530.609
10	Washer 6/16x1 mm	P...497 M
11	Cylindrical screw M 6x35	P...486 U
12	Screw knob M 6x20	P...494 X
13	Star handle M 8x15	530.607
14	Star handle Ø 62 M 8x18 mm	P...253 M
15	Suction lips set, standard	530.080
15	Suction lips set, oil and fatsteadily	560.080

RA 501 E  
Suction nozzle curved

As at: 06/27/11 Time:16:07





## RA 501 E

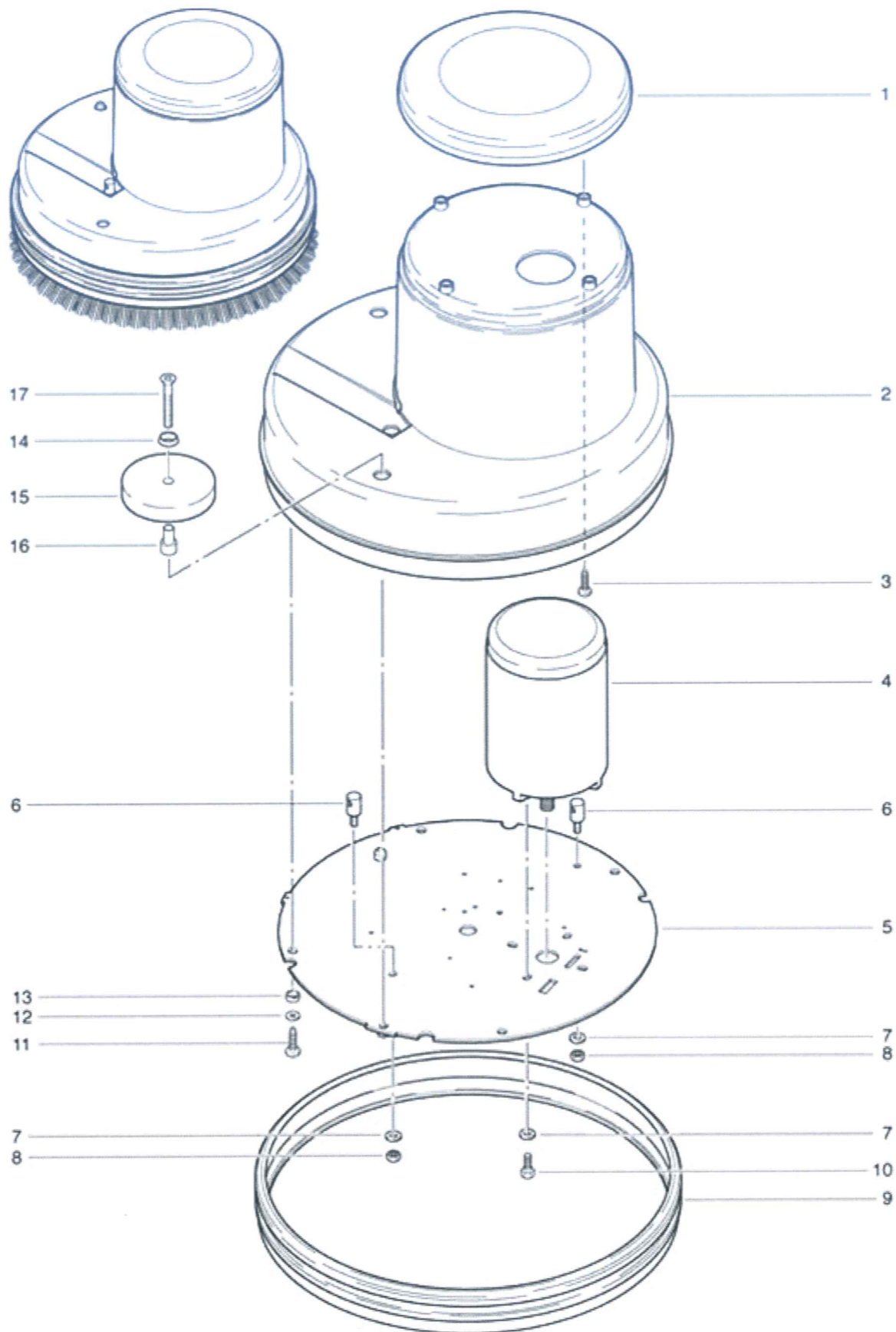
### Suction nozzle curved

As at: 06/27/11 Time:16:07

Pos.	Description	Reference
01	Suction nozzle curved compl.including items 3-22	432.550
02	Suction hose compl.	432.832
03	Suction nozzle body	432.555
04	Suction lip in front, grey 3 mm	432.602
05	Support plate small, in front	432.561
06	Support plate in front	432.563
07	Adjusting screw	800.425
08	Suction lip rear, beige 3 mm	432.603
09	Support plate small in the back	432.564
10	Support plate in the back	432.562
11	Cylindrical screw M 6x25	P...488 Q
12	Star handle Ø 62 mm M 8x18 mm	P...253 M
13	Fender wheel Ø 90 mm	510.127
14	Distance ring	432.508
15	Countersunk screw M 8x45	P...479 P
16	Spacer M 8	P...500 T
17	Role owner left	432.553
18	Role owner on the right	432.554
19	Carrosserie disk Ø 8.4x30/1.5	P...500 N
20	Castor compl.	P...209 B
22	Countersunk screw M 6x16	P...487 W
23	Suction nozzle curved stock from pos. 1+2	432.030
24	Rubber blade standard	432.552
24	Rubber blade oil resistant	432.551

RA 501 E  
Motor

As at: 06/27/11 Time:16:10



# RA 501 E

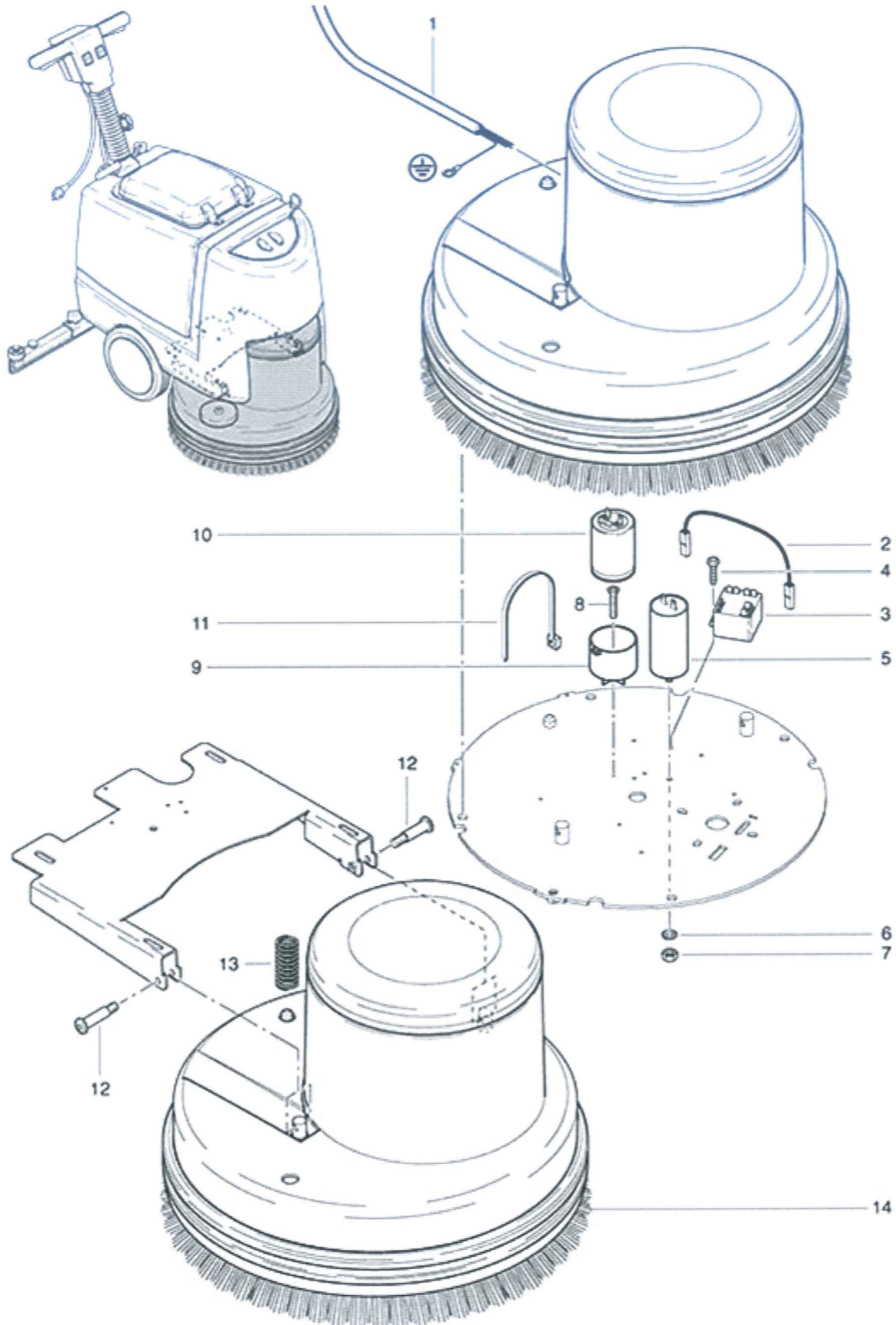
## Motor

As at: 06/27/11 Time:16:10

Pos.	Description	Reference
01	Cover	748.067 O
02	Cover	501.510
03	PT-screw KA 50x25	P...515 L
04	Motor 230V/50Hz	720.121
05	Drive disk	501.502
06	Hold bolt	432.505
07	Washer M 8x16	P...496 P
08	Hexagon nut M 8	P...492 H
09	Shock protection	501.515
10	Hexagon screw M 8x16	P...471 D
11	PT-screw KA 50x10	P...515 LA
12	Washer M 5	P...496 G
13	Distance ring	432.515
14	Disk for countersunk screw	P...500 T
15	Fender wheel Ø 90 mm	510.127
16	Distance ring	432.508
17	Countersunk screw M 8x45	P...479 P

RA 501 E  
Capacitor

As at: 06/27/11 Time:16:09





# RA 501 E

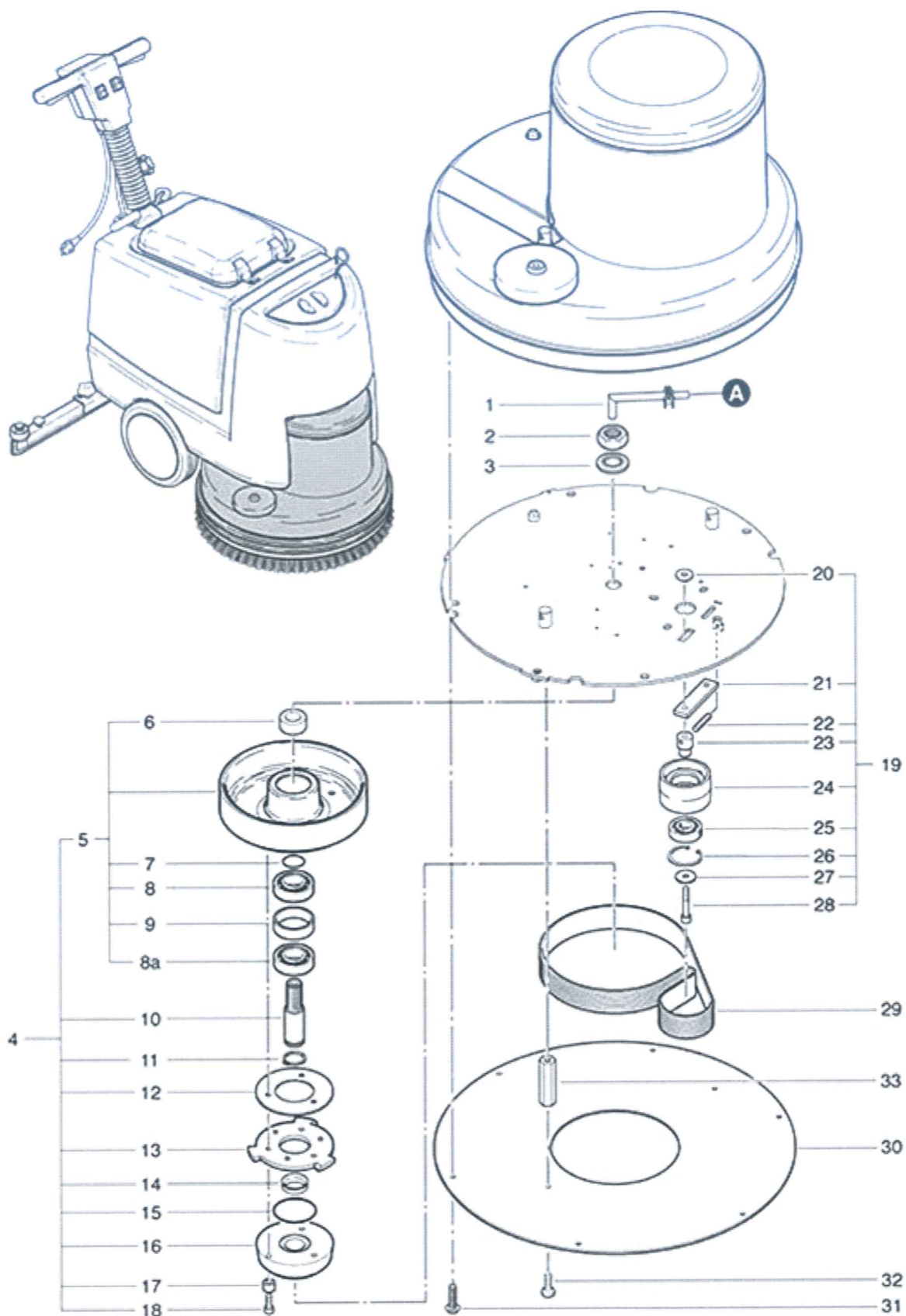
## Capacitor

As at: 06/27/11 Time:16:09

<b>Pos.</b>	<b>Description</b>	<b>Reference</b>
01	Motor cable	430.317
02	Cable	790.556
03	Relais	P...350
04	PT screw KA 30x10	P...516 A
05	Capacitor 25 uF, 450VAC	720.122 A
06	Serrated lock washer M 8	P...498 G
07	Nut M 8	P...491 F
08	Countersunk screw M 4x25	P...480 V
09	Capacitor holder	741.316
10	Capacitor 125 uF, 320V	742.328
11	Cable tie 4.8x300 mm	P..424
12	Pass shoulder screw 8x25/M 6x6	432.521
13	Compression spring 68x18x2	432.520
14	Scrubbing brush PPN 0,6	730.059

RA 501 E  
Drive and waterdistribution

As at: 06/27/11 Time:16:11



## RA 501 E

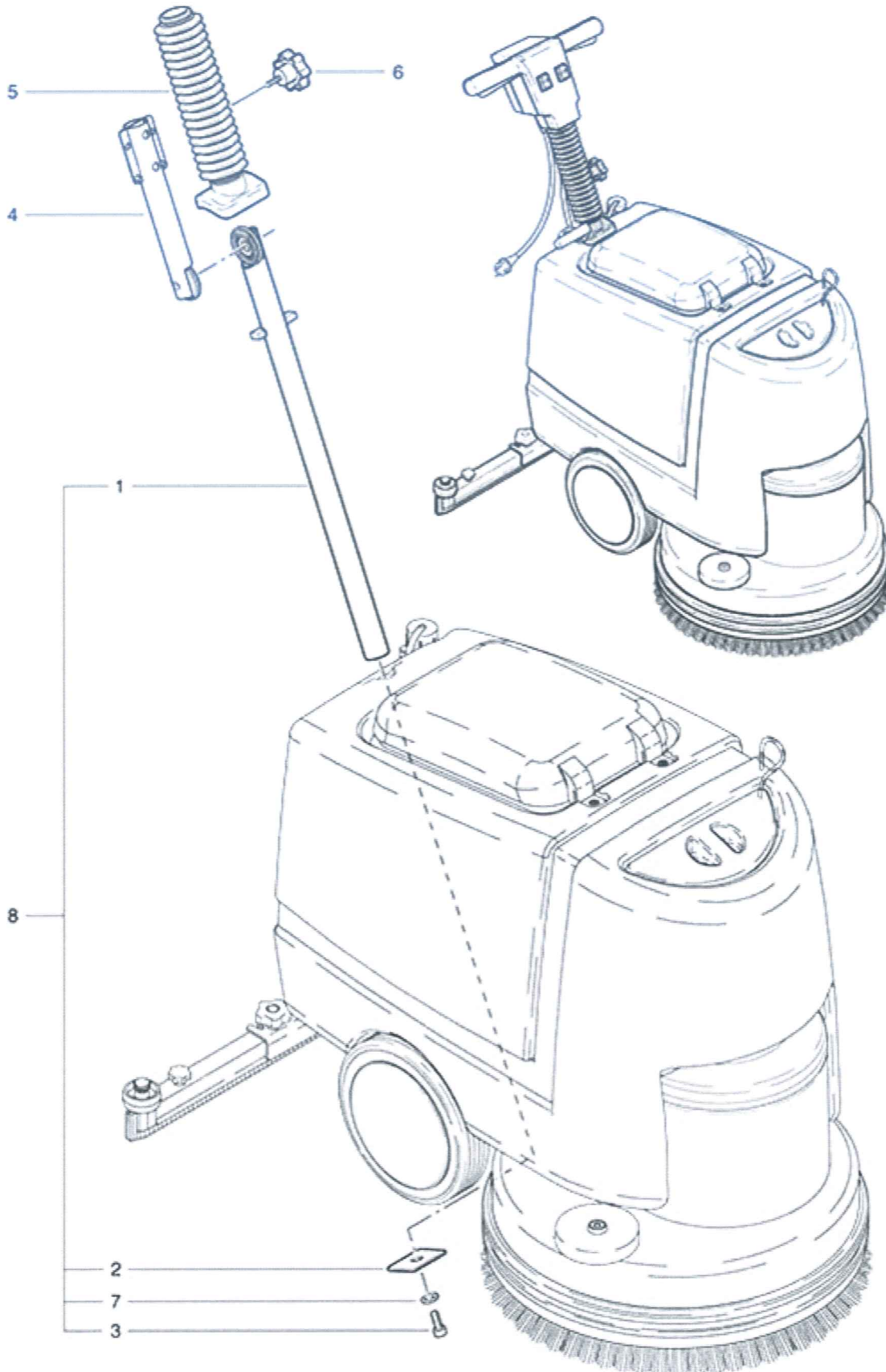
### Drive and waterdistribution

As at: 06/27/11 Time:16:11

Pos.	Description	Reference
01	Distribution tube	432.166
02	Hexagon nut M 20x1.5	P...492 R
03	Washer M 20	P...498 Q
04	Belt wheel per-mounts including items 5-18	742.126
05	Drive pulley complete,including items 6-9	742.130
06	Can	432.507
07	O-ring 25x2.62	P...964 A
08	Ball bearing	P...316 Q
08a	Ball bearing	P...316 P
09	Intermediate ring	3611851
10	Main shaft	742.125
11	Security ring Ø 25	P...513 D
12	Distance ring 46x99/1	430.136
13	Star wheel	742.141
14	V-profile ring	P...343 A
15	O-ring 52x2.62	P...964 B
16	Brush support	430.157
17	Distance ring 6/8x4 mm	742.129
18	Cylindrical screw M 6x20	P...487 S
19	Idler compl.	742.116
20	Groove nut	720.125
21	Support	720.128
22	Thread pin I-6Kt. M 6x25	P...513 K
23	Federation tap	720.127
24	Idler	742.117
25	Ball bearing	P...316 O
26	Securtiy ring	P...513 G
27	Washer M 8	P...496 Q
28	Cylindrical ring M 8x45	P...487 T
29	Rib tape	720.115
30	Cover plate	501.517
31	PT screw KA 50x25	P...515 L
32	Fillister-head screw M 5x16	P...476 E
33	Distance stops	501.521

RA 501 E  
Lower angled tube

As at: 06/27/11 Time:16:12





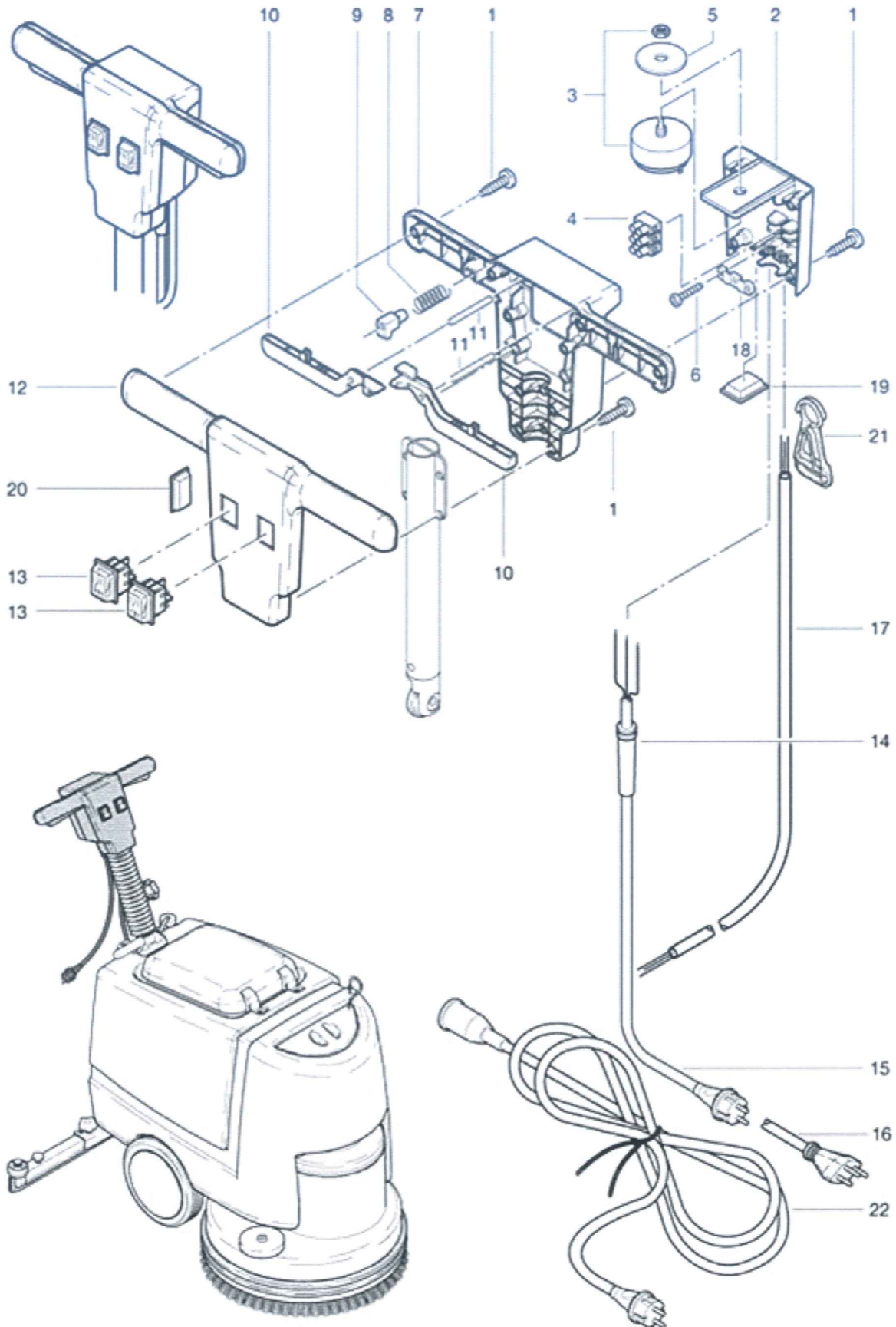
**RA 501 E**  
**Lower angled tube**

As at: 06/27/11 Time:16:12

<b>Pos.</b>	<b>Description</b>	<b>Reference</b>
01	Lower angled tube	432.255
02	Disk	432.340
03	Cylindrical screw M 10x35	P...487 HA
04	Upper handle tube compl.	432.410
05	Protection	432.405
06	Star handle Ø 62/M 8	P...253 K
07	Serrated lock washer M 10	P...498 F
08	Up to Masch.Nr. 8812-001 complete order: Pos.1,2,3 and 7	-

RA 501 E  
Handle

As at: 06/27/11 Time:16:11



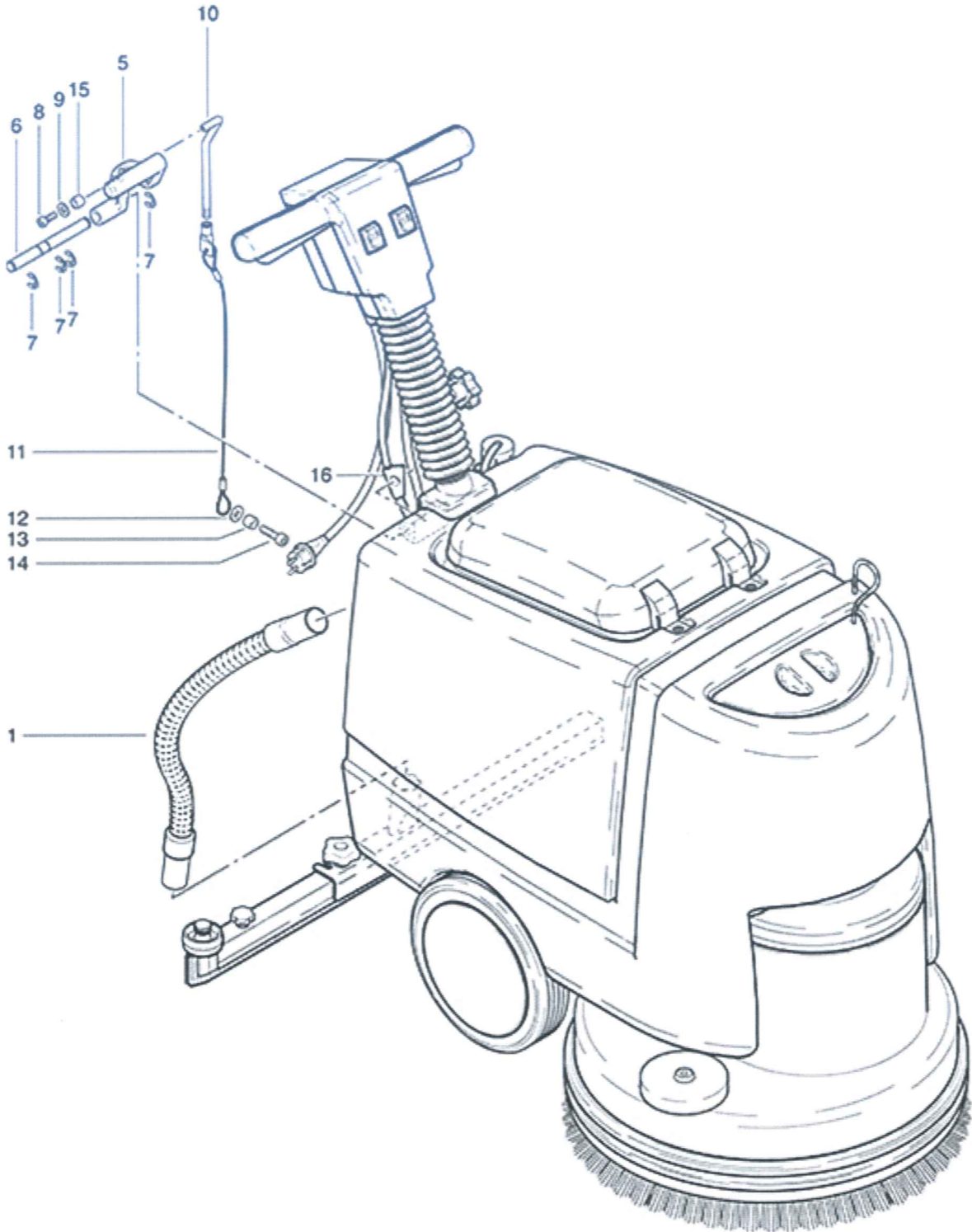
## RA 501 E Handle

As at: 06/27/11 Time:16:11

<b>Pos.</b>	<b>Description</b>	<b>Reference</b>
01	PT screw KA 50x25	P...515 L
02	Rear handle cover	741.310
03	Switch (2)	6650454
04	Electrical terminal (3)	P...383 N
05	Washer M 12/13/37/3	P...496
06	Screw M 5x20	P...515 K
07	Rear handle housing	430.324
08	Pressure spring	742.209
09	Button	742.208
10	Switch handle	741.204
11	Cylindrical pin Ø 650	P...512 M
12	Front handle housing	430.321
13	Valve-switch	P...240
14	Rubber clamp	P...408 K
15	Connection cable 680 mm VDE	P...400 B
16	Connection cable 680 mm SEV	P...400 D
17	Cable tree for pushbar	432.319
18	Cable clamp	4611085
19	Cover black	741.216
20	Cover	P...171 O
21	Cable assembly discharge	P...375
22	Extension cable VDE 20 m	500.863

RA 501 E  
Suction nozzle removal

As at: 06/27/11 Time:16:12





# RA 501 E

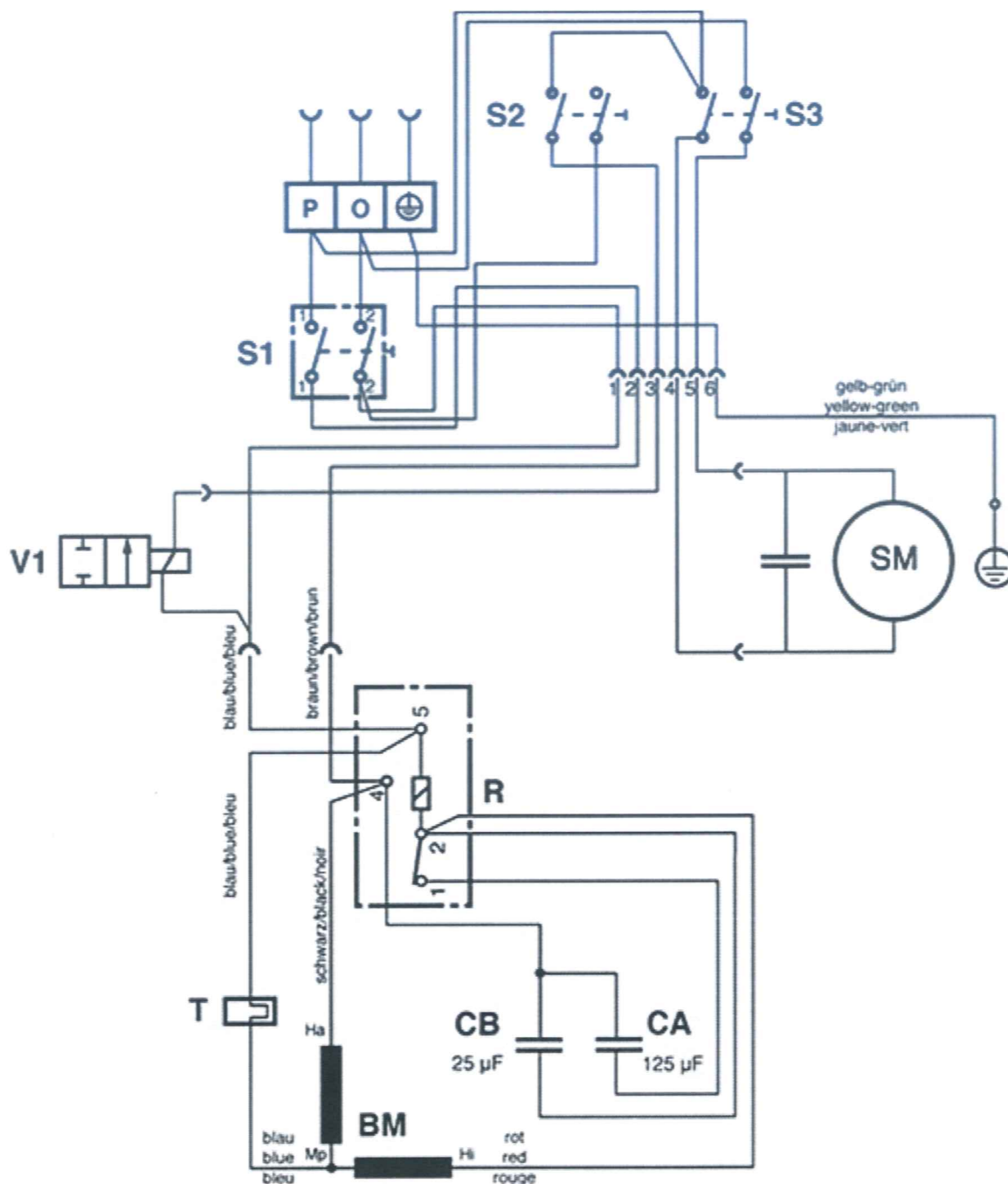
## Suction nozzle removal

As at: 06/27/11 Time:16:12

Pos.	Description	Reference
01	Suction hose compl.	432.831
05	Lever to suction nozzle	432.365
06	Axle	432.361
07	Lock washer Ø 8	P...499 Q
08	Fillister-head screw M 5x10	P...481 Z
09	Washer M 5	P...496 G
10	Lifting bar	432.370
11	String	430.817
12	Washer M 6	P...496 K
13	Distance piece	430.618
14	Hexagon screw M 5x12	P...472 F
15	Distance piece	P...509 J
16	Cable entry	432.362

RA 501 E  
Wiring diagram

As at: 06/27/11 Time:16:09



- S1 = Taster Bürstmotor / Tumbler switch for motor / Interrupteur pour moteur
- S2 = Schalter Ventil / Valve - Switch / Interrupteur pour valve
- S3 = Schalter Saugmotor / Suction motor switch / Interrupteur pour moteur
- R = Startrelais / Relais / Relais de démarrage
- CA = Anlaufkondensator 125 µF / Capacitor 125 µF / Capaciteur 125 µF
- CB = Betriebskondensator 25 µF / Capacitor 25 µF / Capaciteur 25 µF
- BM = Bürstmotor / Motor / Moteur
- SM = Saugmotor / Moteur d'aspiration / Vacuum motor
- T = Temperaturwächter / Temperature switch
- V1 = Ventil / Valve

# RA 501 E

## Wiring diagram

As at: 06/27/11 Time:16:09

<b>Pos.</b>	<b>Description</b>	<b>Reference</b>
BM	Motor 230V/50Hz	720.121
CA	Capacitor 125 uF,320V	742.328
CB	Capacitor 25 uF, 450VAC	720.122 A
R	Relais	P...350
S1	Switch (2)	6650454
S2	Valve-switch	P...240
S3	Valve-switch	P...240
SM	Vacuum motor	430.491
T	Temperature switch	
V1	Magnetic valve 230V	P...257