

fiorentini

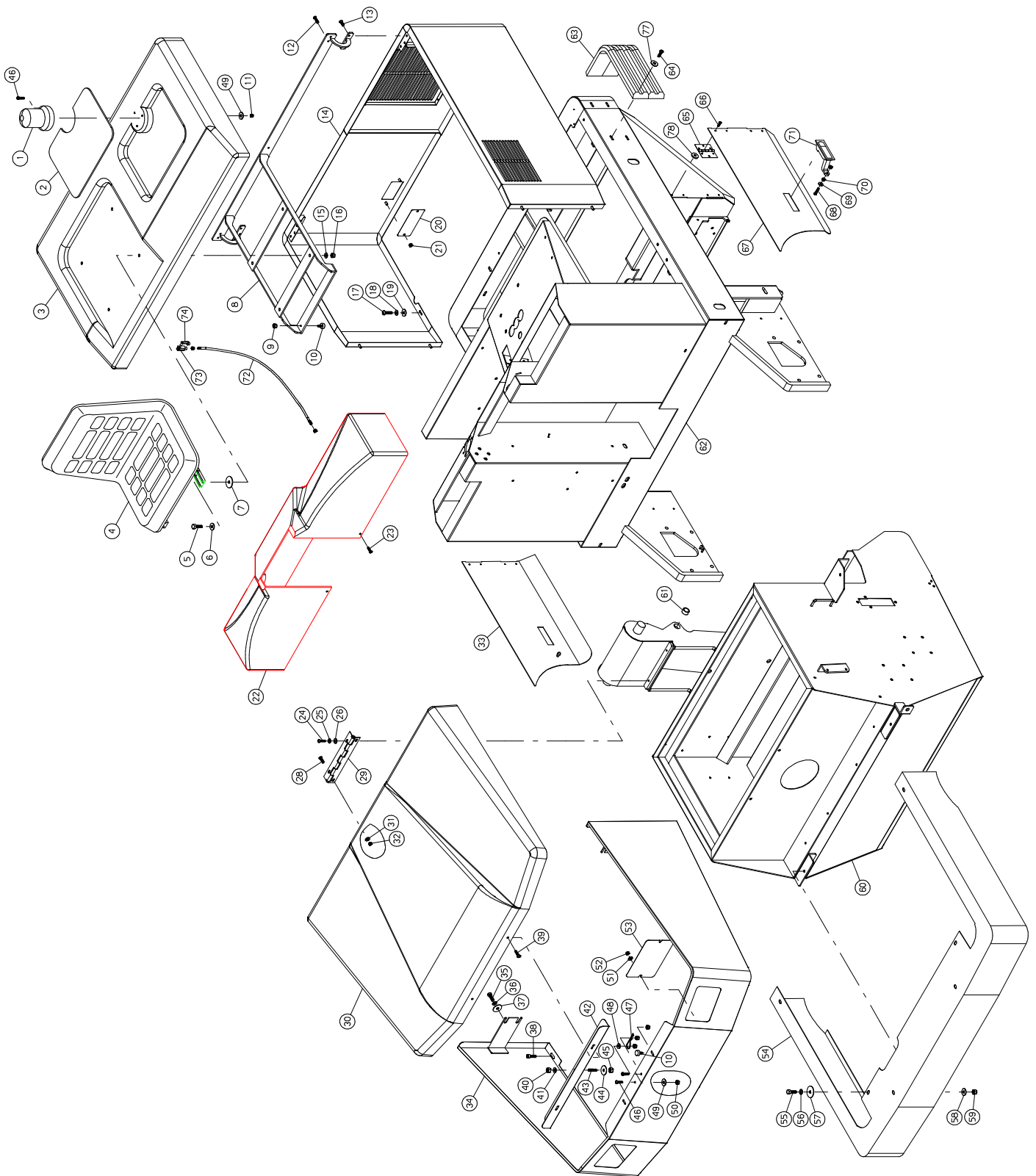


S 34 B

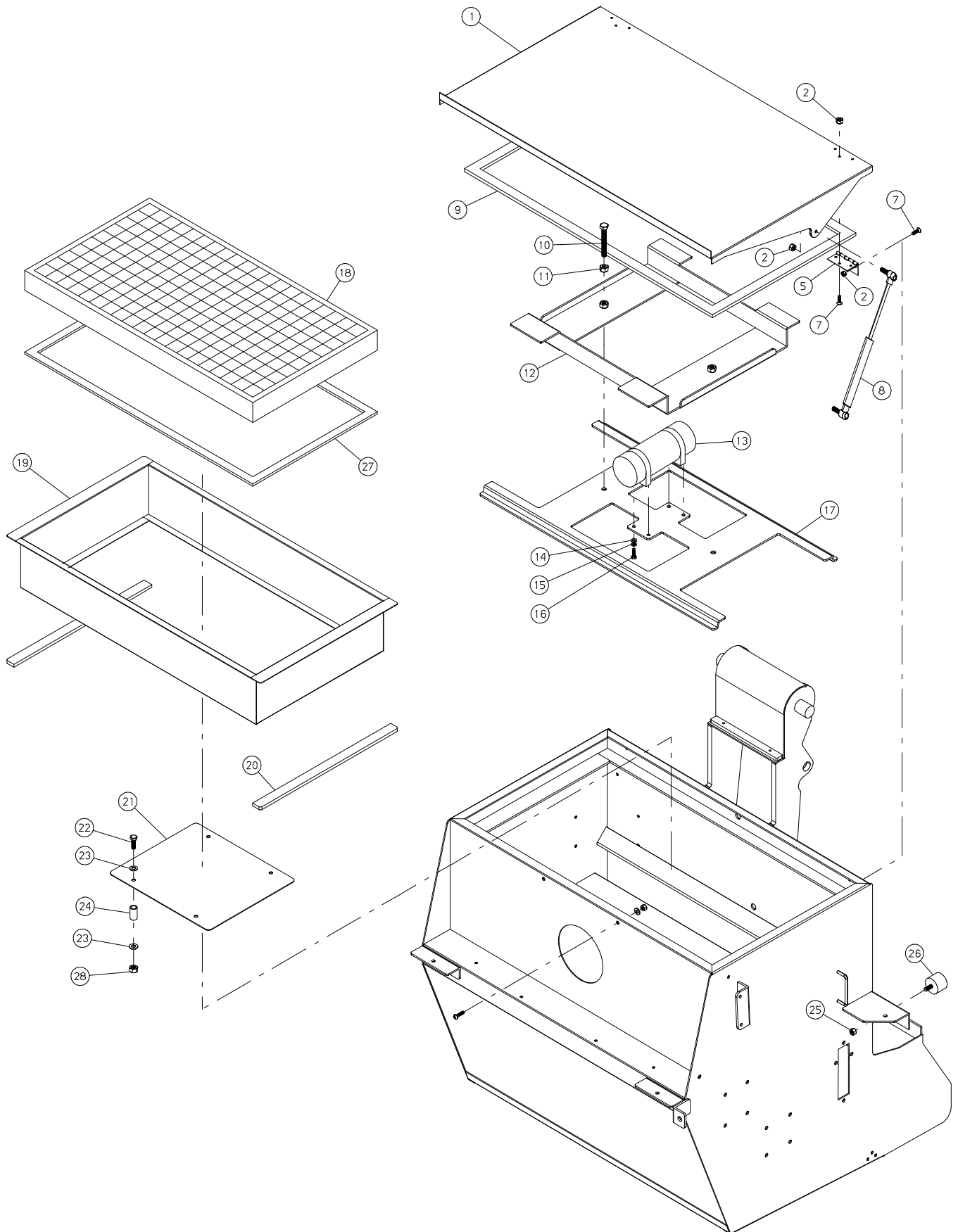
PARTI DI RICAMBIO
SPARE PARTS
PIECES DETACHEES
ERSATZTEILE



ING. O. FIORENTINI
INDUSTRIAL CLEANING MACHINE

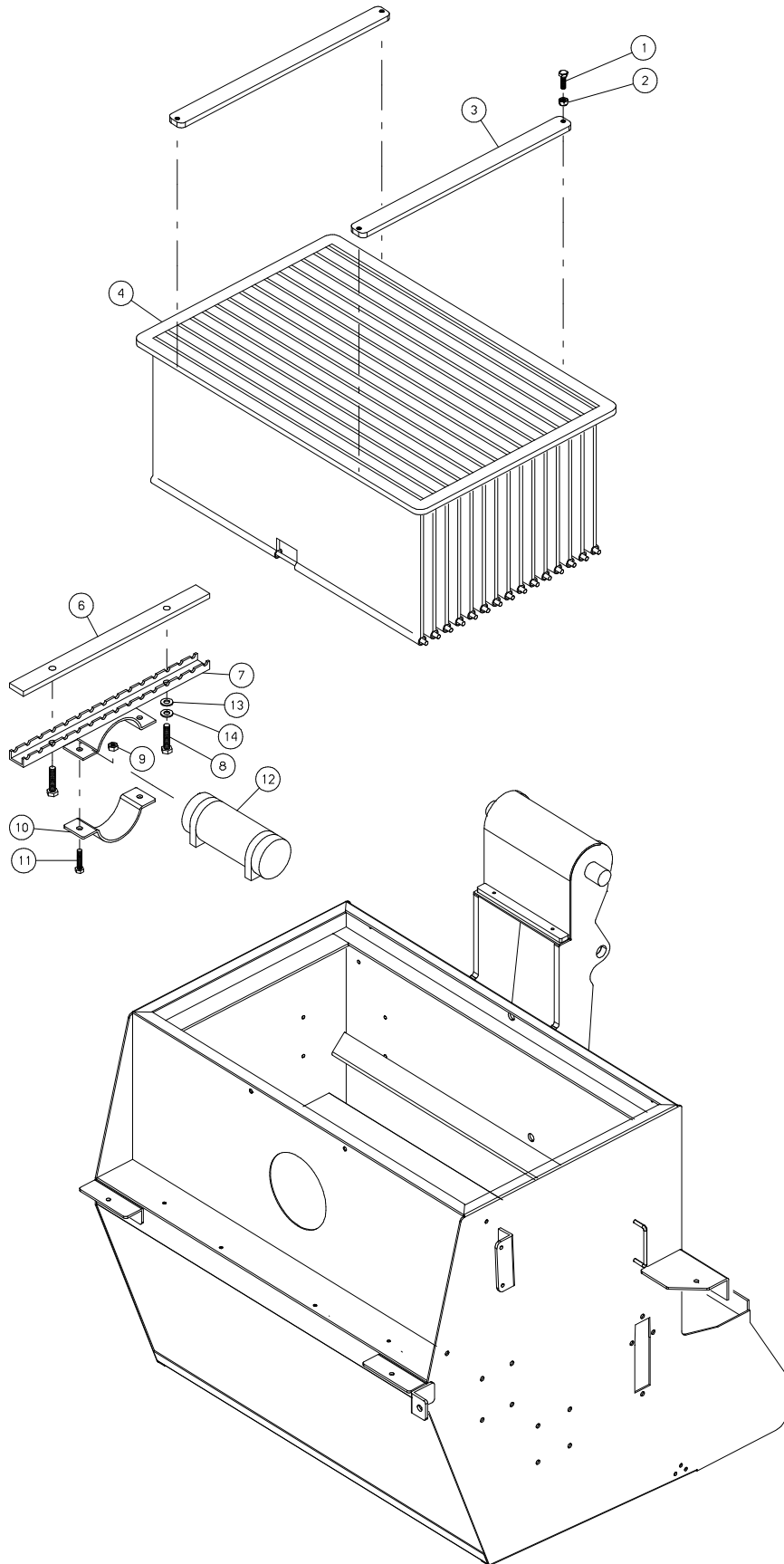


N.	Code Num	Qta	Descrizione	Description	Description	Bezeichnung
1001	MT-PY7005	1	LAMPEGGIANTE MULTIVOLTAGGIO	BLINKER	GYROPHARE	BLINKLEUCHTE
1002	MT-BP5049	1	GOMMA PRISMATA VANO OGGETTI	INSTRUMENT BOARD RUBB	COUVERCLE CAOUTCHOUC	GUMMI
1003	MT-CA5019	1	COFANO POSTERIORE UBF34 NEW-BIANCO	BACK BONNET	COUVERCLE ARRIERE	RUECKHAUBE
1004	MT-MI2512	1	SEDILE S/BRACCIOLI MOLLEGGIATO	SEAT	SIEGE	SITZ
1005	MT-VV5000	4	VITE TESTA BOMBATA M8x30	CUP-HEADED BOLT	VIS	HALBRUNDSCHRAUBE
1006	MT-RO5005	4	RONDELLA NORMALE D.8 UNI 6592/69	WASHER D.8	RONDELLE	SCHEIBE
1007	MT-RO5006	4	RONDELLA SLARGATA D.8x32 UNI 6592/6	WASHER 8X32	RONDELLE	SCHEIBE
1008	MT-SU5152	1	TELAIO SUPP. CASSONE POSTERIORE	SUPPORT FRAME	CHASSIS	RAHMEN
1009	MT-DD204	2	DADO M6 UNI 5588/65	NUT	ECROU	MUTTER
1010	MT-MI2509	4	ANTIVIBRANTE 18x7,5 M6 (TAMPONE)	VIBRATION-DAMPING	ANTIVIBRATOIRE	ERSCHUTTERUNGSFREIER
1011	MT-VV5001	3	VITE TESTA BOMBATA M6x16	CUP-HEADED BOLTNG	VIS BOMBEE M6X16	HALBRUNDSCHRAUBE
1012	MT-VV5001	1	VITE TESTA BOMBATA M6x16	CUP-HEADED BOLTNG	VIS BOMBEE M6X16	HALBRUNDSCHRAUBE
1013	MT-VS222	6	VITE SVASATA A CROCE M6x16 UNI 7688	HEADED SCREW	VIS	SENKSCHAUBE
1014	MT-LM5167	1	FASCIONE POST. 34/NEW	BACK BAND	TOLE ARRIERE	RUECKBLECH
1015	MT-RO208	4	RONDELLA NORMALE DIAM. 17 UNI 6592/	WASHER	RONDELLE	SCHEIBE
1016	MT-DD254	4	DADO AUTOBLOCCANTE M8	SELF-LOCKING NUT	ECROU DE SURETE	SICHERUNGSMUTTER
1017	MT-VE243	2	VITE ESAGONALE M6x16 UNI 5737/77	HEXAGONAL-HEADED BOLT	VIS	SECHSECKIGE SCHRAUBE
1018	MT-RO254	2	RONDELLA SPACCATA DIAM. 6 UNI 1751	WASHER	RONDELLE	SCHEIBE
1019	MT-RO301	2	RONDELLA SLARGATA.6x18 UNI 6592/69	WASHER	RONDELLE	SCHEIBE
1020	MT-PT5088	2	CHIUSURA LUCI POSTERIORE INOX	BACK PLATE CLOSURE	BOUCHON LUMIERES ARR.	VERSCHLUSS
1021	MT-DD204	2	DADO M6 UNI 5588/65	NUT	ECROU	MUTTER
1022	MT-CA5021	1	CRUSCOTTO COMANDI GOFFRATO NERO	EMBOSSED DASHBOARD	TABLEAU DE BORD	INSTRUMENTENBRETT
1023	MT-VV5003	4	VITE TESTA BOMBATA M4x10	CUP-HEADED BOLT	VIS	HALBRUNDSCHRAUBE
1024	MT-VV5002	1	VITE TESTA BOMBATA M6x10	CUP-HEADED BOLT	VIS	HALBRUNDSCHRAUBE
1025	MT-RO301	2	RONDELLA SLARGATA.6x18 UNI 6592/69	WASHER	RONDELLE	SCHEIBE
1026	MT-RO254	2	RONDELLA SPACCATA DIAM. 6 UNI 1751	WASHER	RONDELLE	SCHEIBE
1028	MT-VE243	2	VITE ESAGONALE M6x16 UNI 5737/77	HEXAGONAL-HEADED BOLT	VIS	SECHSECKIGE SCHRAUBE
1029	MT-MV5051	1	CERNIERA COFANO ANTERIORE	FRONT BONNET HINGE	CHARNIERE	VORDERHAUBESCHARNIER
1030	MT-CA5018	1	COFANO ANTERIORE (BIANCO) UBF34 NEW	FRONT BONNET	COFFRE AVANT	VORDERHAUBE
1031	MT-RO301	2	RONDELLA SLARGATA.6x18 UNI 6592/69	WASHER	RONDELLE	SCHEIBE
1032	MT-DD204	2	DADO M6 UNI 5588/65	NUT	ECROU	MUTTER
1033	MT-LM5123	1	LAMIERA SPORTELLO DESTRO	RIGHT DOOR PLATE	TOLE	TUERBLECH
1034	MT-LM5166	1	FASCIONE ANTER. UBF 34/NEW	FRONT BAND	TOLE AVANT	VORDERBLECH
1035	MT-VE260	2	VITE ESAGONALE M8x16 UNI 5737/77	HEXAGONAL-HEADED BOLT	VIS	SECHSECKIGE SCHRAUBE
1036	MT-RO301	2	RONDELLA SLARGATA.6x18 UNI 6592/69	WASHER	RONDELLE	SCHEIBE
1037	MT-RO255	2	RONDELLA SPACCATA DIAM. 8 UNI 1751	WASHER	RONDELLE	SCHEIBE
1038	MT-VV5005	2	VITE TESTA BOMBATA M8x16	CUP-HEADED BOLT	VIS	HALBRUNDSCHRAUBE
1039	MT-VV5001	2	VITE TESTA BOMBATA M6x16	CUP-HEADED BOLTNG	VIS BOMBEE M6X16	HALBRUNDSCHRAUBE
1040	MT-DD205	1	DADO M8 UNI 5588/65	NUT	ECROU	MUTTER
1041	MT-DD205	1	DADO M8 UNI 5588/65	NUT	ECROU	MUTTER
1042	MT-LM5168	1	ANGOLARE COFANO ANTERIORE UBF 34 NE	FRONT BONNET ANGLE	APPUIE COFFRE	WINKELPROFIL
1043	MT-PE5076	1	PERNO CHIUSURA COFANO ANT.	FRONT BONNET CLOSURE	PIVOT COFFRE	BOLZEN
1044	MT-RO302	1	RONDELLA SLARG.DIAM. 8x24 UNI 6592/	WASHER	RONDELLE	SCHEIBE
1045	MT-DD5012	1	DADO BASSO M8	NUT	ECROU	NIEDRIGMUTTER
1046	MT-VV5001	2	VITE TESTA BOMBATA M6x16	CUP-HEADED BOLTNG	VIS BOMBEE M6X16	HALBRUNDSCHRAUBE
1047	MT-CP250	1	COPIGLIA A R D.3 L=60	SPLIT PIN	GOUPILLE	SPLINT
1048	MT-DT5047	1	DISTANZIALE CLIPS CHIUSURA COFANO	SPACER	ENTRETOISE	ABSTANDSTUECK
1049	MT-RO203	1	RONDELLA NORMALE DIAM. 6 UNI 6592/6	WASHER D6	RONDELLE	SCHEIBE
1050	MT-DD253	1	DADO AUTOBLOCCANTE M6	SELF-LOCKING NUT	ECROU DE SURETE	SICHERUNGSMUTTER
1051	MT-RO301	4	RONDELLA SLARGATA.6x18 UNI 6592/69	WASHER	RONDELLE	SCHEIBE
1052	MT-DD204	4	DADO M6 UNI 5588/65	NUT	ECROU	MUTTER
1053	MT-PT5089	2	CHIUSURA LUCI ANTERIORE INOX	FRONT CLOSURE PLATE	BOUCHON PHARE AVANT	VERSCHLUSS
1054	MT-TP5052	1	PARAURTI ANTERIORE UBF 34/NEW	FRONT BUMPER	PARE-CHOCKS	STOSSFAENGER
1055	MT-VE249	2	VITE ESAGONALE M6x50 UNI 5737/77	HEXAGONAL-HEADED BOLT	VIS	SECHSECKIGE SCHRAUBE
1056	MT-RO255	2	RONDELLA SPACCATA DIAM. 8 UNI 1751	WASHER	RONDELLE	SCHEIBE
1057	MT-RO5006	2	RONDELLA SLARGATA D.8x32 UNI 6592/6	WASHER 8X32	RONDELLE	SCHEIBE
1058	MT-RO301	4	RONDELLA SLARGATA.6x18 UNI 6592/69	WASHER	RONDELLE	SCHEIBE
1059	MT-DD204	2	DADO M6 UNI 5588/65	NUT	ECROU	MUTTER
1060	MT-TP5054	1	CASSONE UBF 34/NEW	BODY	CONTENEUR DEBRIS	KIPPERAUFBAU
1061	MT-BO5042	1	BOCCOLA NYLON	NYLON BUSH	COQUILLE	NYLONBUCHSE
1062	MT-TP5051	1	TELAIO BASE UBF 34/NEW	MAIN FRAME	CHASSIS	HAUPTRAHMEN
1063	MT-BU2500	1	BUMPER PARACOLPI 1mt 65x20	BUMPER	BUMPER HEURTOIR	BUMPER
1064	MT-VS5000	12	VITE SVASATA A CROCE M6x30 UNI 7688	COUNTERSUNK BOLT	VIS	SENKSCHAUBE
1065	MT-MI5069	4	CERNIERA SPORTELLO	DOOR HINGE	CHARNIERE PORTIERE	SCHARNIER
1066	MT-VC202	16	VITE CILIN.CROCE M4x10 UNI 7687	CHEESE BOLT	VIS	ZYLINDERSCHRAUBE
1067	MT-LM5124	1	LAMIERA SPORTELLO SINISTRO	LEFT DOOR PLATE	TOLE PORTIERE GAUCHE	TUERBLECH
1068	MT-VE227	2	VITE ESAGONALE 5x25 ACCIAIO ZINC.	HEXAGONAL-HEADED BOLT	VIS 5X25	SECHSECKIGE SCHRAUBE
1069	MT-RO300	2	RONDELLA SLARGATA DIAM. 5x15 UNI659	WASHER	RONDELLE	SCHEIBE
1070	MT-DD203	4	DADO M5 UNI 5588/65	NUT	ECROU	MUTTER
1071	MT-MV5028	2	CERNIERA CHIUSURA SPORTELLI	DOORS CLOSURE HINGE	CHARNIERE DE FERMETUR	SCHARNIER
1072	MT-MI5053	1	FUNE DI TENUTA CASSONE	BODY ROPE	CORDE DU CONTENEUR DE	STAHLDRAHTEIL
1073	MT-MI5099	2	FORCELLA LUNGA M6	LONG FORK M6	FOURCHETTE LONGUE M6	GABEL
1074	MT-MI5100	2	CLIPS PER FORCELLA 6X24	FORK CLIPS	PATTE	SHELLE
1076	MT-RO201	3	RONDELLA NORMALE DIAM. 4 UNI 6592/6	SCREW DIAM.4	RONDELLE NORM.	SCHEIBE
1077	MT-RO301	12	RONDELLA SLARGATA.6x18 UNI 6592/69	WASHER	RONDELLE	SCHEIBE
1078	MT-VE243	2	VITE ESAGONALE M6x16 UNI 5737/77	HEXAGONAL-HEADED BOLT	VIS	SECHSECKIGE SCHRAUBE



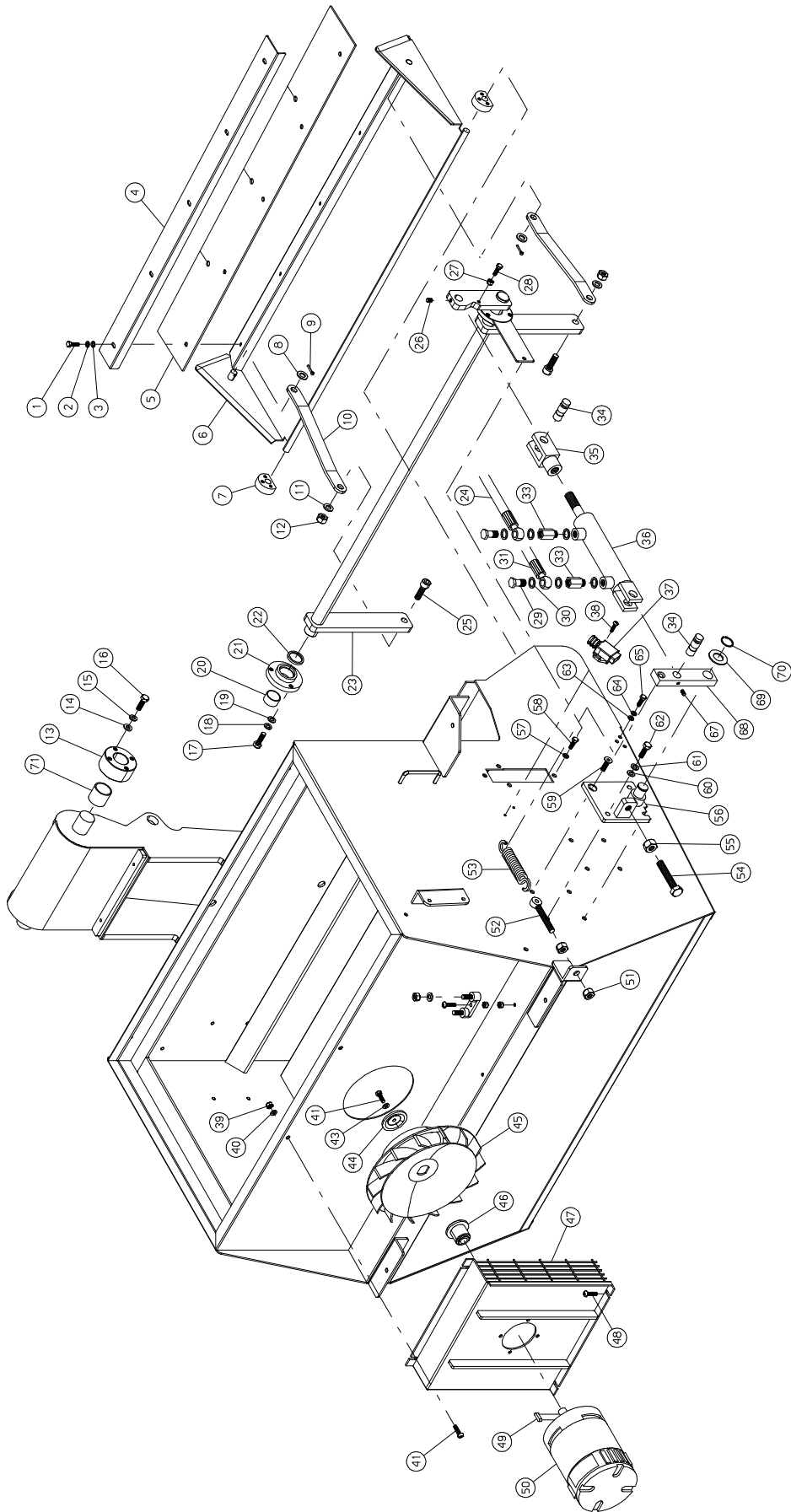


N.	Code Num	Qta	Descrizione	Description	Description	Bezeichnung
2001	MT-CO5026	1	COPERCHIO VANO FILTRO UBF 34/NEW	FILTER ROOM COVER	COUVERCLE FILTRE	FILTERRAUMVERSCHLUSS
2002	MT-DD5011	12	DADO M4 UNI 5588/65	NUT	ECROU	MUTTER
2005	MT-MV5053	2	CERNIERA COPERCHIO VANO FILTRO	HINGE	CHARNIERE COUV.FILTRE	SCHARNIER
2007	MT-VS202	12	VITE SVASATA A CROCE M 4x10 UNI 768	COUNTERSUNK BOLT	VIS	SENKSCRAUBE
2008	MT-AM5003	2	MOLLA A GAS F200 L=300	GAS SPRING	RESSORT A GAS	GAZFEDER
2009	MT-GR0002	1	GUARNIZIONE MOUSSE ADESIVO 5X15	STRIP 5X15	GARNITURE	DICHTUNG
2010	MT-VE281	2	VITE ESAGONALE M10X20 UNI5737/77	HEXAGONAL-HEADED BOLT	VIS M10X20	SECHSECKIGE SCHRAUBE
2011	MT-DD206	2	DADO M10 UNI 5588/65	NUT	ECROU	MUTTER
2012	MT-TP5047	1	TELAIO BLOCCA FILTRO	BLOCKING FILTER FRAME	CHASSIS	FILTERBEFESTIGUNGSRAH
2013	MT-MO5036	1	MOTORE SCUOTIFILTRO 36V	SHAKING FILTER ENGINE	MOTEUR SECOUEFILTRE	SCHUETTTELFILTERSMOTOR
2014	MT-RO203	4	RONDELLA NORMALE DIAM. 6 UNI 6592/6	WASHER D6	RONDELLE	SCHEIBE
2015	MT-RO254	4	RONDELLA SPACCATA DIAM. 6 UNI 1751	WASHER	RONDELLE	SCHEIBE
2016	MT-VE243	4	VITE ESAGONALE M6x16 UNI 5737/77	HEXAGONAL-HEADED BOLT	VIS	SECHSECKIGE SCHRAUBE
2017	MT-TP5048	1	TELAIO MOTOVIBRATORE	MOTOVIBRATOR FRAME	CHASSIS MOTOVIBRATEUR	RAHMEN
2018	MT-FT5020	1	FILTRO A PANNELLO	PANEL FILTER	FILTRE A PANNEAU	PAPIERFILTER
2019	MT-TP5046	1	TELAIO APPOGGIO FILTRO	FILTER SUPPORT FRAME	CHASSIS APPUI FILTRE	FILTERSTUETZE
2020	MT-GR5046	2	GUARNIZIONE MOUSSE ADESIVA 30x10 L=	STRIP 30X10	GUARNITURE 30X10	KLEBEDICHTUNG
2021	MT-LM5136	1	LAMIERA COPERTURA FILTRO 280x320 Sp	FILTER COVER PLATE	TOLE COUVRE-FILTRE 28	FILTERDECKELBLECH
2022	MT-VE266	4	VITE ESAGONALE M8x45 UNI 5737/77	HEXAGONAL-HEADED BOLT	VIS M8X45	SECHSECKIGE SCHRAUBE
2023	MT-RO5007	8	RONDELLA SLARG. D.8X50 UNI6592/69	WASHER 8X50	RONDELLE 8X50	SCHEIBE
2024	MT-DT5041	4	DISTANZIALE VITE LEVA SPAZZOLA CENT	SPACER	ENTRETOISE LEVIER BRO	ABSTANDSTUECK
2025	MT-DD254	2	DADO AUTOBLOCCANTE M8	SELF-LOCKING NUT	ECROU DE SURETE	SICHERUNGSMUTTER
2026	MT-MI5064	2	PIEDINO IN GOMMA	RUBBER FOOT	PIED EN CAOUTCHOUC	GUMMIFUSS
2027	MT-GR0004	1	GUARNIZIONE MOUSSE ADESIVO 5X25	STRIP 5x25	GARNITURE 5X25	KLEBEDICHTUNG
2028	MT-DD205	4	DADO M8 UNI 5588/65	NUT	ECROU	MUTTER

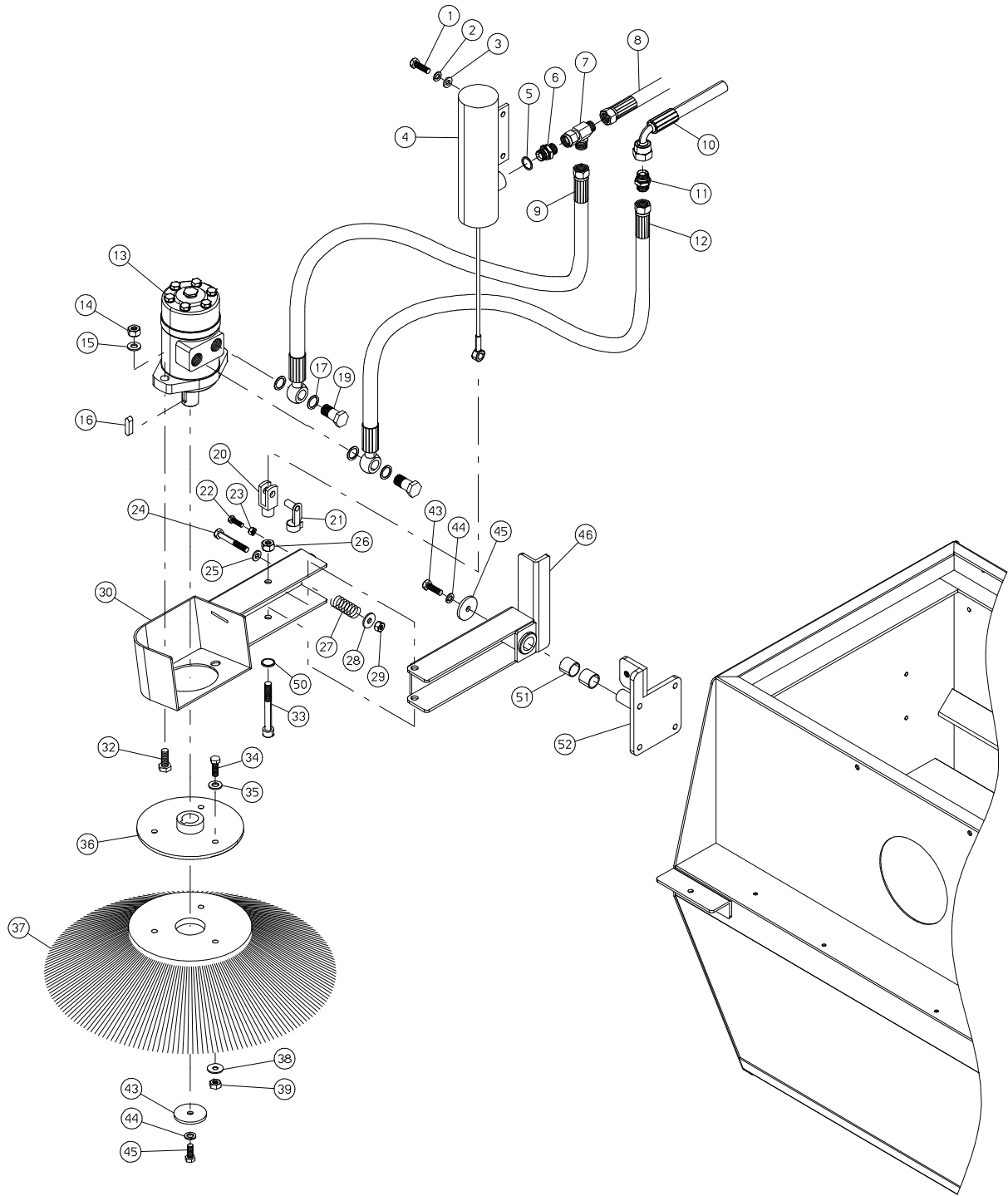




N.	Code Num	Qta	Descrizione	Description	Description	Bezeichnung
02B01	MT-VE260	4	VITE ESAGONALE M8x16 UNI 5737/77	HEXAGONAL-HEADED BOLT	VIS	SECHSECKIGE SCHRAUBE
02B02	MT-DD5012	4	DADO BASSO M8	NUT	ECROU	NIEDRIGMUTTER
02B03	MT-LM5135	2	LISTELLO FISSAGGIO FILTRO	FIXING FILTER BAR	LATTE DE FIXAGE FILTR	LEISTE
02B04	MT-FT5018	1	FILTRO A SACCHE COMPLETO	BAG FILTER	FILTRE A POUCHES	BEUTELFILTER
02B06	MT-ST5028	1	STAFFA SUPPORTO VIBRATORE	BRACKET	BRIDE DE SUPPORT VIBR	BUEGEL
02B07	MT-SU5142	1	SUPPORTO VIBRATORE INFERIORE	VIBRATOR SUPPORT	SUPPORT VIBRATEUR INF	STUETZE
02B08	MT-VE265	2	VITE ESAGONALE M8x40 UNI 5737/77	HEXAGONAL-HEADED BOLT	VIS	SECHSECKIGE SCHRAUBE
02B09	MT-DD254	2	DADO AUTOBLOCCANTE M8	SELF-LOCKING NUT	ECROU DE SURETE	SICHERUNGSMUTTER
02B10	MT-SU5141	1	SUPPORTO VIBRATORE SUPERIORE	VIBRATOR SUPPORT	SUPPORT VIBRATEUR SUP	STUETZE
02B11	MT-VE263	2	VITE ESAGONALE M8x30 UNI 5737/77	HEXAGONAL-HEADED BOLT	VIS	SECHSECKIGE SCHRAUBE
02B12	MT-MO5002	1	MOTORE SCUOTIFILTRO 36V	SHAKING FILTER ENGINE	MOTEUR SECOUE-FILTRE	SCHUETTELFILTERSMOTOR
02B13	MT-RO204	2	RONDELLA PIANA M8	WASHER	RONDELLE	SCHEIBE
02B14	MT-RO255	2	RONDELLA SPACCATA DIAM. 8 UNI 1751	WASHER	RONDELLE	SCHEIBE

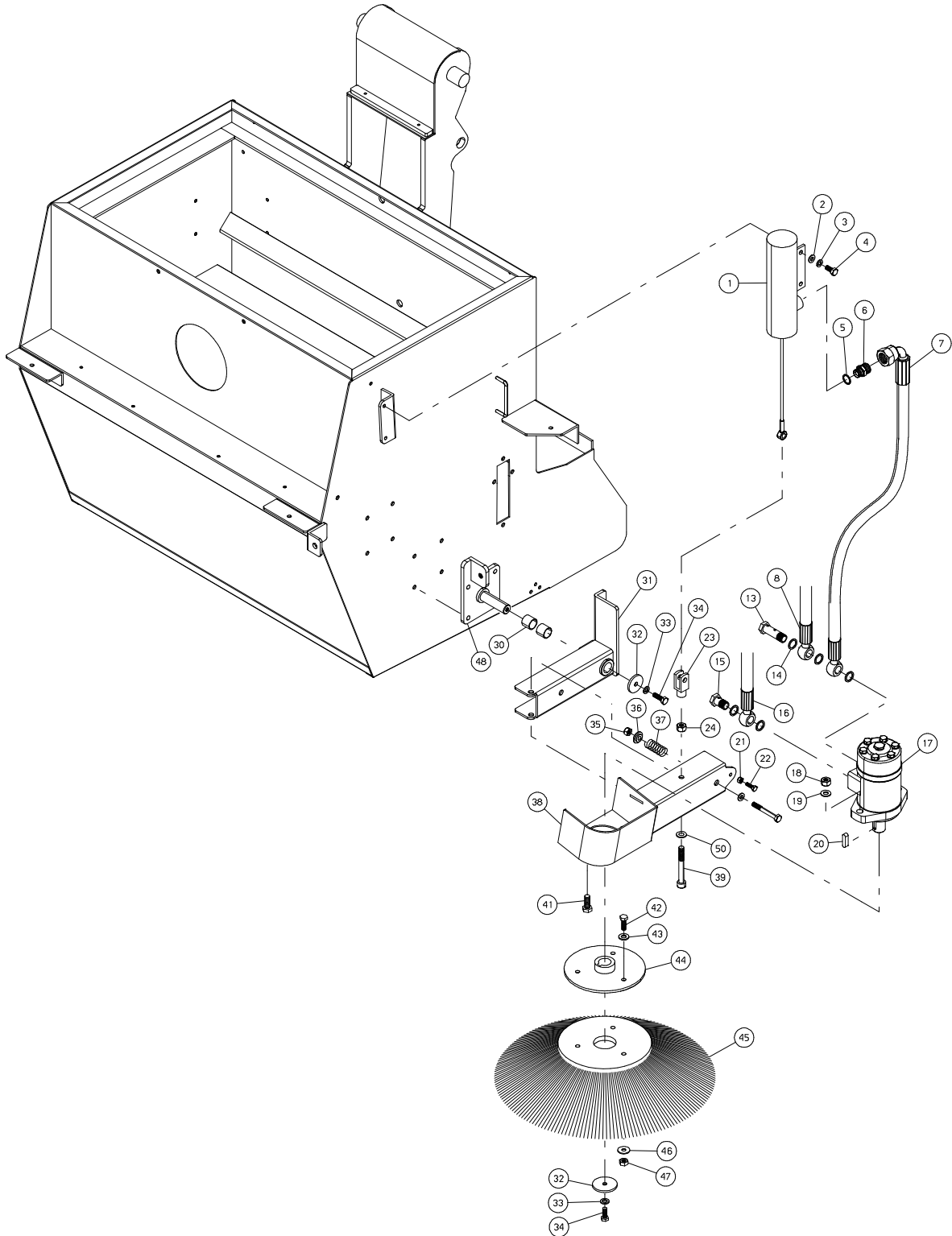


N.	Code Num	Qta	Descrizione	Description	Description	Bezeichnung
3001	MT-VE243	5	VITE ESAGONALE M6x16 UNI 5737/77	HEXAGONAL-HEADED BOLT	VIS	SECHSECKIGE SCHRAUBE
3002	MT-RO254	5	RONDELLA SPACCATA DIAM. 6 UNI 1751	WASHER	RONDELLE	SCHEIBE
3003	MT-RO301	5	RONDELLA SLARGATA.6x18 UNI 6592/69	WASHER	RONDELLE	SCHEIBE
3004	MT-LM5134	1	LISTELLO GOMMA FLAP	RUBBER FLAP STRIP	LATTE EN CAOUTCHOUC	GUMMILEISTE
3005	MT-BP5043	1	GOMMA FLAP	FLAP RUBBER	FLAP EN CAOUTCHOUC	GUMMI
3006	MT-TP5045	1	TELAIO FLAP	FLAP FRAME	CHASSIS FLAP	RAHMEN
3007	MT-SU5006	2	SUPPORTO FLAP CHIUSURA	CLOSURE FLAP SUPPORT	SUPP. FLAP FERMETURE	STUETZE
3008	MT-RO5008	1	RONDELLA SLARG. D.10x20 UNI6592/69	WASHER 10X20	RONDELLE 10X20	SCHEIBE
3009	MT-CP211	1	COPIGLIA DIAM.3x30 UNI 1336	SPLIT PIN	GOUPILLE 3X30	SPLINT
3010	MT-LV5075	2	LEVA COMANDO FLAP	FLAP CONTROL LEVER	LEVIER DE COMMANDE	HEBEL
3011	MT-RO5009	2	RONDELLA SLARG. D.12x24 UNI6592/69	WASHER 12X24	RONDELLE 12X24	SCHEIBE
3012	MT-DD256	2	DADO AUTOBLOCCANTE M12	SELF-LOCKING NUT	ECROU DE SURETE M12	SICHERUNGSMUTTER
3013	MT-SU5007	2	SUPPORTO PERNO CASSONE	BODY PIN SUPPORT	SUPP. PIVOT CAISSON	BOLZENSTUETZE
3014	MT-RO205	8	RONDELLA NORMALE DIAM. 10 UNI 6592/	WASHER	RONDELLE	SCHEIBE
3015	MT-RO256	8	RONDELLA SPACCATA DIAM.10 UNI 1751	WASHER	RONDELLE	SCHEIBE
3016	MT-VE282	6	VITE ESAGONALE M10x30 UNI 5737/77	HEXAGONAL-HEADED BOLT	VIS	SECHSECKIGE SCHRAUBE
3017	MT-VE260	6	VITE ESAGONALE M8x16 UNI 5737/77	HEXAGONAL-HEADED BOLT	VIS	SECHSECKIGE SCHRAUBE
3018	MT-RO255	6	RONDELLA SPACCATA DIAM. 8 UNI 1751	WASHER	RONDELLE	SCHEIBE
3019	MT-RO204	6	RONDELLA PIANA M8	WASHER	RONDELLE	SCHEIBE
3020	MT-BO5004	2	BOCCOLA AUTOLUBRIFICANTE 2515 KU	BUSH	DOUILLE	SELBSTSCHMIERENDE BUC
3021	MT-SU5004	1	SUPPORTO ALBERO FLAP DX	FLAP SHAFT SUPPORT	SUPPORT ARBRE	STUETZE
3022	MT-GI5002	1	PARAPOLVERE IN PLASTICA D=32-d=25-S	PLASTIC DUST COVER	ANTI-POUSSIERE PLASTI	STAUBKAPPE
3023	MT-PE5067	1	PERNO ROTAZIONE FLAP	PIN	PIVOT DE ROTATION	BOLZEN
3024	MT-TU5082	1	TUBO 1/4 F90 - F90 L=1750	PIPE 1/4 F90	TUYAU 1/4 F90	ROHR
3025	MT-VB250	1	VITE CIL. BRUGOLA M12x35 UNI 5931	CHEESE BOLT	VIS	ZYLINDERSCHRAUBE
3026	MT-VG013	1	GRANO M5x10 UNI 5927/67	DOWEL M5X10	GRAIN M5X10	DUEBEL
3027	MT-DD205	1	DADO M8 UNI 5588/65	NUT	ECROU	MUTTER
3028	MT-VE266	1	VITE ESAGONALE M8x45 UNI 5737/77	HEXAGONAL-HEADED BOLT	VIS M8X45	SECHSECKIGE SCHRAUBE
3029	MT-RC5078	2	VITE FORATA 1/4	SCREW 1/4	VIS PERCEE 1/4	SCHRAUBE
3030	MT-RO5901	6	RONDELLA IN RAME 1/4"	COPPER WASHER	RONDELLE	KOPFERSCHRAUBE
3031	MT-TU5081	1	TUBO 1/4 F90 - F90 L=1850	PIPE	TUYAU 1/4 F90	ROHR
3033	MT-RC5059	2	RACCORD COLONNETTA CORTA M1/4 F1/4	SHORT PIPE FITTING	RACCORD COLONNETTE CO	ANSCHLUSS
3034	MT-PE5003	2	PERNO PER PISTONE FLAP	PIN	PIVOT	BOLZEN
3035	MT-MI5072	1	FORCELLA M16	FORK M16	FOURCHETTE M16	GABEL
3036	MT-MA5019	1	MARTINETTO IDRAULICO FLAP UBF34	HYDRAULIC JACK	CRIC HYDRAULIQUE	HEBEBOCK
3037	MT-IN5005	1	MICRO	MICRO	MICRO	MIKROSCHALTER
3038	MT-VC202	2	VITE CILIN.CROCE M4x10 UNI 7687	CHEESE BOLT	VIS	ZYLINDERSCHRAUBE
3039	MT-DD253	2	DADO AUTOBLOCCANTE M6	SELF-LOCKING NUT	ECROU DE SURETE	SICHERUNGSMUTTER
3040	MT-RO301	2	RONDELLA SLARGATA.6x18 UNI 6592/69	WASHER	RONDELLE	SCHEIBE
3041	MT-VV5004	3	VITE TESTA BOMBATA M6x20	CUP-HEADED BOLT	VIS BOMBEE	HALBRUNDSCHRAUBE
3043	MT-RO254	1	RONDELLA SPACCATA DIAM. 6 UNI 1751	WASHER	RONDELLE	SCHEIBE
3044	MT-MV5042	1	RONDELLA PER PERNO VENTOLA	WASHER	RONDELLE PIVOT	SCHEIBE
3045	MT-FU009	1	VENTOLA ASPIRAZIONE	SUCTION FAN	ROTOR	SAUGGEBLAESE
3046	MT-PE5071	1	PERNO VENTOLA DI ASPIRAZIONE	SUCTION FAN PIN	PIVOT DU ROTOR	BOLZEN
3047	MT-SU5138	1	SUPPORTO MOTORE VENTOLA	FAN ENGINE SUPPORT	SUPPORT MOTEUR DU ROT	STUETZE
3048	MT-VE243	2	VITE ESAGONALE M6x16 UNI 5737/77	HEXAGONAL-HEADED BOLT	VIS	SECHSECKIGE SCHRAUBE
3049	MT-CH009	1	CHIAVETTA 5X8X20	KEY	CLAVETTE	PASSFEDER (5x8x20)
3050	MT-MO5038	1	MOTORE VENTOLA ASPIRAZIONE 36V	SUCTION FAN ENGINE	MOTEUR DU ROTOR	SAUGGEBLAEESMOTOR
3051	MT-DD206	1	DADO M10 UNI 5588/65	NUT	ECROU	MUTTER
3052	MT-MI5080	1	TIRANTE AD OCCHIO M10X80 ZINCATO	TIE ROD M10X80	TIRANT A OEIL	SPANNSTANGE
3053	MT-ML5009	1	MOLLA FLAP	FLAP SPRING	RESSORT FLAP	KLAPPESFEDER
3054	MT-VE305	1	VITE ESAGONALE M12x55 UNI 5737/77	HEXAGONAL-HEADED BOLT	VIS M12X55	SECHSECKIGE SCHRAUBE
3055	MT-DD207	1	DADO M12 UNI 5588/65	NUT	ECROU	MUTTER
3056	MT-PE5074	1	PIASTRA ATTACCO MARTINETTO	PLATE	PLAQUE	PLATTEN
3057	MT-RO203	4	RONDELLA NORMALE DIAM. 6 UNI 6592/6	WASHER D6	RONDELLE	SCHEIBE
3058	MT-VV5001	4	VITE TESTA BOMBATA M6x16	CUP-HEADED BOLTNG	VIS BOMBEE M6X16	HALBRUNDSCHRAUBE
3059	MT-VV242	1	VITE SVASATA A BRUGOLA M8x20 UNI593	CUP-HEADED BOLT	VIS	SENKSCHRAUBE
3060	MT-RO204	3	RONDELLA PIANA M8	WASHER	RONDELLE	SCHEIBE
3061	MT-RO255	3	RONDELLA SPACCATA DIAM. 8 UNI 1751	WASHER	RONDELLE	SCHEIBE
3062	MT-VE263	3	VITE ESAGONALE M8x30 UNI 5737/77	HEXAGONAL-HEADED BOLT	VIS	SECHSECKIGE SCHRAUBE
3063	MT-RO305	3	RONDELLA SLARGATA DIAM. 6x24 UNI 65	WASHER	RONDELLE	SCHEIBE
3064	MT-RO254	3	RONDELLA SPACCATA DIAM. 6 UNI 1751	WASHER	RONDELLE	SCHEIBE
3065	MT-VE244	3	VITE ESAGONALE M6x20 UNI 5737/77	HEXAGONAL-HEADED BOLT	VIS	SECHSECKIGE SCHRAUBE
3067	MT-VG021	1	GRANO M6x10 UNI 5927/67	DOWEL	GRAIN	DUEBEL
3068	MT-LV5006	1	LEVA PER PISTONE FLAP	LEVER	LEVIER	HEBEL
3069	MT-RO209	1	RONDELLA NORMALE DIAM. 20 UNI 6592/	WASHER	RONDELLE	SCHEIBE
3070	MT-SG016	1	ANELLO SEEGER PER EST.DIAM.20 UNI	RING	SEEGER	SEEGERRING
3071	MT-BO5003	2	BOCCOLA AUTOLUBRIFICANTE 3030 KU	BUSH	DOUILLE	BUCHSE



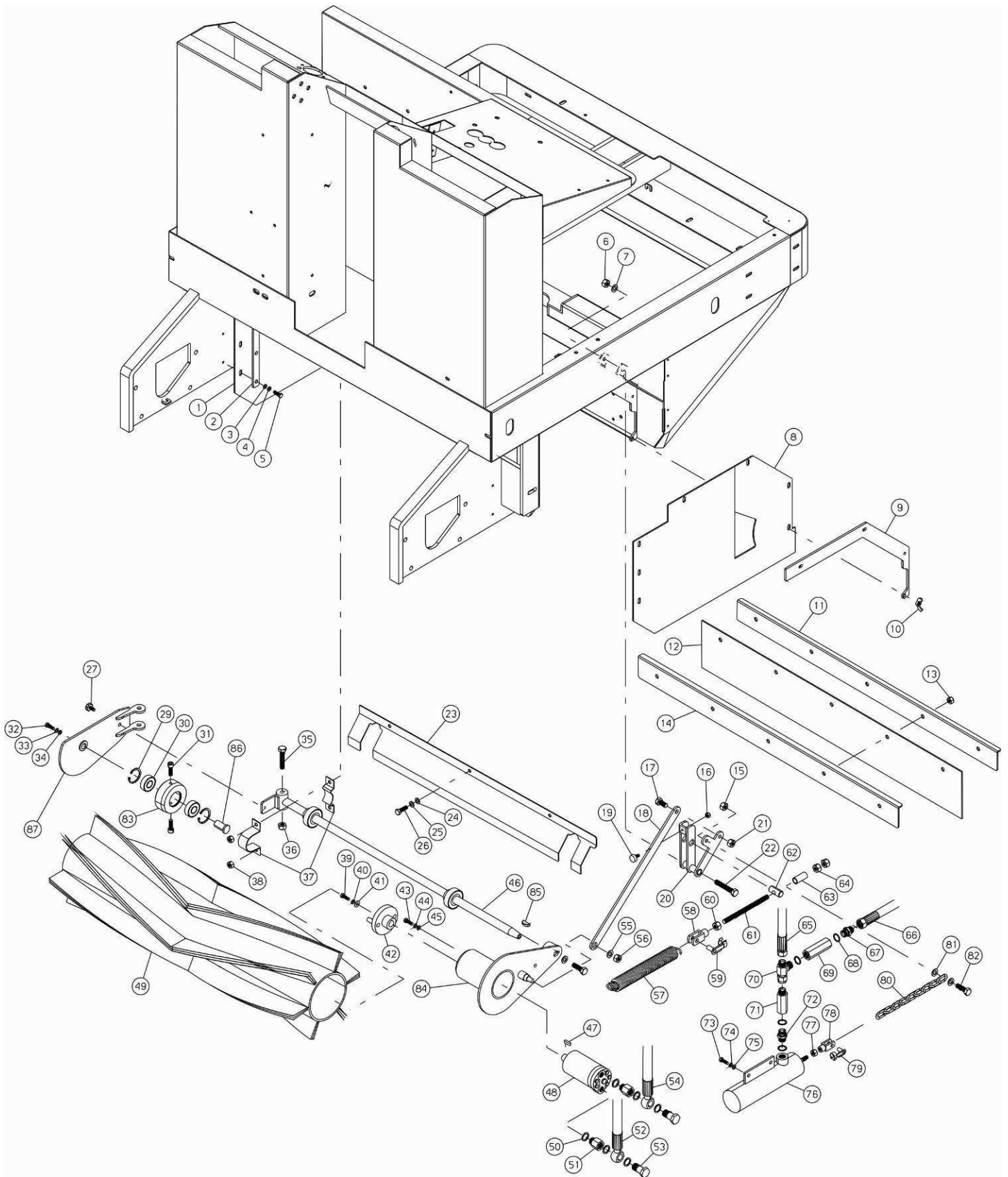


N.	Code Num	Qta	Descrizione	Description	Description	Bezeichnung
4001	MT-VE260	2	VITE ESAGONALE M8x16 UNI 5737/77	HEXAGONAL-HEADED BOLT	VIS	SECHSECKIGE SCHRAUBE
4002	MT-RO255	2	RONDELLA SPACCATA DIAM. 8 UNI 1751	WASHER	RONDELLE	SCHEIBE
4003	MT-RO204	2	RONDELLA PIANA M8	WASHER	RONDELLE	SCHEIBE
4004	MT-MA5021	1	MARTINETTO SPAZZ. LATERALE UBF34	SIDE BRUSH JACK	CRIC BROSSE LAT.	HEBEBOCK
4005	MT-RC010	1	RONDELLA IN RAME 3/8	COPPER WASHER	RONDELLE EN CUIVRE	KOPFERSCHEIBE
4006	MT-MI033	1	NIPLES M-M G3/8 G3/8	NIPPLE	NIPLES	NIPPEL
4007	MT-RC5022	1	NIPLES A T 3/8 M-M.90 F.GIR.	NIPPLE	ADAPTATEUR	NIPPEL
4008	MT-TU5077	1	TUBO 3/8 FD F90 L=1800	PIPE 3/8 FD	TUYAU 3/8	ROHR
4009	MT-TU5075	2	TUBO 3/8 FD - O 1/2 L=600	PIPE	TUYAU 3/8 FD	ROHR
4010	MT-TU5084	1	TUBO 3/8 F90-F90 L=1890	PIPE F90-F90	TUYAU 3/8 F90	ROHR
4011	MT-MI033	1	NIPLES M-M G3/8 G3/8	NIPPLE	NIPLES	NIPPEL
4012	MT-TU5075	1	TUBO 3/8 FD - O 1/2 L=600	PIPE	TUYAU 3/8 FD	ROHR
4013	MT-MO5078	1	MOTORE SPAZZOLA LATERALE	HYDRAULIC ENGINE	MOTEUR HYDR. BROSSE	HYDROMOTOR
4014	MT-DD256	2	DADO AUTOBLOCCANTE M12	SELF-LOCKING NUT	ECROU DE SURETE M12	SICHERUNGSMUTTER
4015	MT-RO218	2	RONDELLA NORMALE DIAM. 12 UNI 6592/	WASHER	RONDELLE NORM. 12	SCHEIBE
4016	MT-CH045	1	LINGUETTA 8x7x30 UNI 6604-A	TONGUE	CLAVETTE	PASSFEDER
4017	MT-RO5002	4	RONDELLA RAME 1/2	COPPER WASHER	RONDELLE	KOPFERSCHEIBE
4019	MT-RC5014	2	VITE FORATA 1/2	SCREW	VIS	SCHRAUBE
4020	MT-SN004	1	SNODO (forcella) M10	JOINT	JOINT	GELENK
4021	MT-MI009	1	CLIPS PER FORCELLA M10	CLIPS	CLIPS	CLIPS
4022	MT-VE261	1	VITE TE M8x20	SCREW	VIS	SCHRAUBE
4023	MT-DD205	1	DADO M8 UNI 5588/65	NUT	ECROU	MUTTER
4024	MT-VE285	1	VITE ESAGONALE M10x65 UNI 5737/77	HEXAGONAL-HEADED BOLT	VIS M10X65	SECHSECKIGE SCHRAUBE
4025	MT-RO205	1	RONDELLA NORMALE DIAM. 10 UNI 6592/	WASHER	RONDELLE	SCHEIBE
4026	MT-DD206	1	DADO M10 UNI 5588/65	NUT	ECROU	MUTTER
4027	MT-ML5011	1	MOLLA SPAZZOLA LATERALE	SIDE BRUSH SPRING	RESSORT BROSSE LAT.	SEITENBUERSTESFEDER
4028	MT-MV5043	1	GUIDA MOLLA BRACCIO SPAZZOLA LATERA	SLIDE	GUIDE RESSORT BRAS BR	FUEHRUNG
4029	MT-DD255	1	DADO AUTOBLOCCANTE M10	SELF-LOCKING NUT	ECROU DE SURETE	SICHERUNGSMUTTER
4030	MT-SU5137	1	SUPPORTO MOTORE SPAZZOLA LATERALE D	HYDRAULIK ENGINE SUPP	SUPPORT MOTEUR BROSSE	STUETZE
4032	MT-VE302	2	VITE ESAGONALE M12X35 UNI 5737/77	HEXAGONAL-HEADED BOLT	VIS M12X35	SECHSECKIGE SCHRAUBE
4033	MT-VE290	1	VITE ESAGONALE M10x90	HEXAGONAL-HEADED BOLT	VIS M10X90	SECHSECKIGE SCHRAUBE
4034	MT-VE261	3	VITE TE M8x20	SCREW	VIS	SCHRAUBE
4035	MT-RO204	3	RONDELLA PIANA M8	WASHER	RONDELLE	SCHEIBE
4036	MT-FL5007	1	FLANGIA ATTACCO SPAZZOLA LATERALE	SIDE BRUSH FLANGE	FLANGE BROSSE LAT.	FLANSCH
4037	MT-SZ5000	1	SPAZZOLA LATERALE	SIDE NYLON BRUSH	BROSSE LATERALE NYLON	SEITENBUERSTE
4038	MT-RO302	3	RONDELLA SLARG.DIAM. 8x24 UNI 6592/	WASHER	RONDELLE	SCHEIBE
4039	MT-DD254	3	DADO AUTOBLOCCANTE M8	SELF-LOCKING NUT	ECROU DE SURETE	SICHERUNGSMUTTER
4043	MT-VE261	2	VITE TE M8x20	SCREW	VIS	SCHRAUBE
4044	MT-RO255	2	RONDELLA SPACCATA DIAM. 8 UNI 1751	WASHER	RONDELLE	SCHEIBE
4045	MT-VI040	2	RONDELLA SPECIALE (ZINCATA)	WASHER	RONDELLE	SCHEIBE
4046	MT-LM5125	1	LAMIERA BRACCIO SPAZ.LATERALE DX	RIGHT SIDE BRUSH ARM	TOLE BRAS BROSSE LAT.	ARMSBLECH
4050	MT-RO205	1	RONDELLA NORMALE DIAM. 10 UNI 6592/	WASHER	RONDELLE	SCHEIBE
4051	MT-BO5042	2	BOCCOLA NYLON	NYLON BUSH	COQUILLE	NYLONBUCHSE
4052	MT-SU5135	1	SUPPORTO SPAZZOLA LATERALE DESTRA	RH BRUSH SUPPORT	SUPPORT BROSSE LAT.DROITE	SAITENBESENSSTUETZE RECHTS

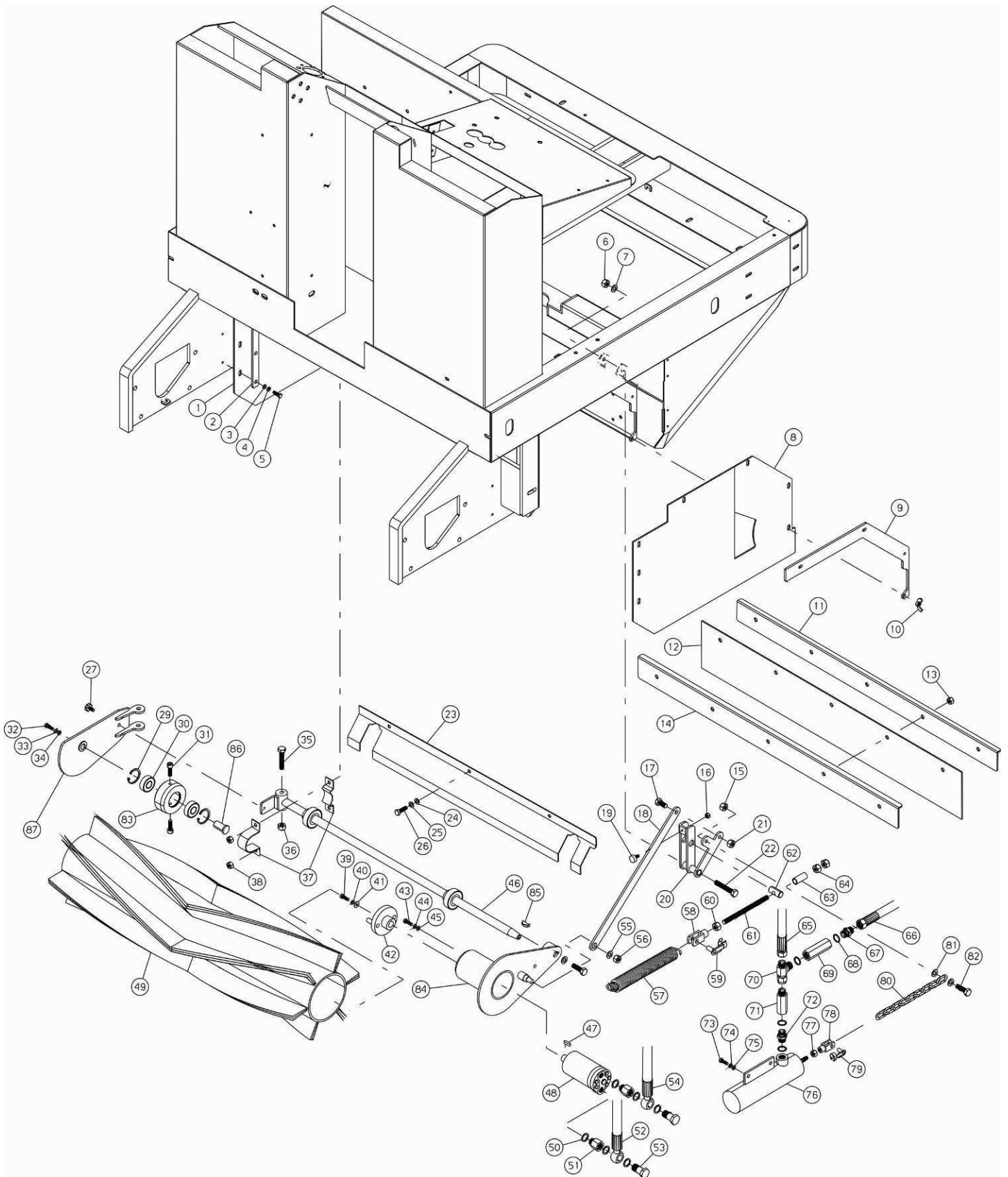




N.	Code Num	Qta	Descrizione	Description	Description	Bezeichnung
5001	MT-MA5021	1	MARTINETTO SPAZZ. LATERALE UBF34	SIDE BRUSH JACK	CRIC BROSSE LAT.	HEBEBOCK
5002	MT-RO255	1	RONDELLA SPACCATA DIAM. 8 UNI 1751	WASHER	RONDELLE	SCHEIBE
5003	MT-RO204	1	RONDELLA PIANA M8	WASHER	RONDELLE	SCHEIBE
5004	MT-VE260	1	VITE ESAGONALE M8x16 UNI 5737/77	HEXAGONAL-HEADED BOLT	VIS	SECHSECKIGE SCHRAUBE
5005	MT-RC010	1	RONDELLA IN RAME 3/8	COPPER WASHER	RONDELLE EN CUIVRE	KOPFERSCHEIBE
5006	MT-MI033	1	NIPLES M-M G3/8 G3/8	NIPPLE	NIPLES	NIPPEL
5007	MT-TU5066	1	TUBO 3/8 F90 - O 1/2 L=710	PIPE 3/8 F90	TUYAU 3/8 F90	ROHR
5008	MT-TU5067	1	TUBO 3/8 O 1/2 - O 1/2 L=1120	PIPE 3/8	TUYAU 3/8 OU 1/2	ROHR
5013	MT-RC5079	1	VITE FORATA DOPPIA 1/2	SCREW	VIS PERCEE DOUBLE	SCHRAUBE
5014	MT-RO5002	3	RONDELLA RAME 1/2	COPPER WASHER	RONDELLE	KOPFERSCHEIBE
5015	MT-RC5014	1	VITE FORATA 1/2	SCREW	VIS	SCHRAUBE
5016	MT-TU5088	1	TUBO 3/8 F90-O 1/2 L=1360	PIPE	TUYAU 3/8 F90 OU 1/2	ROHR
5017	MT-MO5078	1	MOTORE SPAZZOLA LATERALE	HYDRAULIC ENGINE	MOTEUR HYDR. BROSSE	HYDROMOTOR
5018	MT-DD256	1	DADO AUTOBLOCCANTE M12	SELF-LOCKING NUT	ECROU DE SURETE M12	SICHERUNGSMUTTER
5019	MT-RO218	1	RONDELLA NORMALE DIAM. 12 UNI 6592/	WASHER	RONDELLE NORM. 12	SCHEIBE
5020	MT-CH045	1	LINGUETTA 8x7x30 UNI 6604-A	TONGUE	CLAVETTE	PASSFEDER
5021	MT-DD205	1	DADO M8 UNI 5588/65	NUT	ECROU	MUTTER
5022	MT-VE261	1	VITE TE M8x20	SCREW	VIS	SCHRAUBE
5023	MT-SN004	1	SNODO (forcella) M10	JOINT	JOINT	GELENK
5024	MT-DD206	1	DADO M10 UNI 5588/65	NUT	ECROU	MUTTER
5030	MT-BO5042	2	BOCCOLA NYLON	NYLON BUSH	COQUILLE	NYLONBUCHSE
5031	MT-LM5127	1	LAMIERA BRACCIO SPAZ.LATERALE SINIS	LEFT SIDE BRUSH ARM P	TOLE BRAS BROSSE LAT.	ARMSBLECH
5032	MT-VI040	2	RONDELLA SPECIALE (ZINCATA)	WASHER	RONDELLE	SCHEIBE
5033	MT-RO255	2	RONDELLA SPACCATA DIAM. 8 UNI 1751	WASHER	RONDELLE	SCHEIBE
5034	MT-VE261	2	VITE TE M8x20	SCREW	VIS	SCHRAUBE
5035	MT-DD255	1	DADO AUTOBLOCCANTE M10	SELF-LOCKING NUT	ECROU DE SURETE	SICHERUNGSMUTTER
5036	MT-MV5043	1	GUIDA MOLLA BRACCIO SPAZZOLA LATERA	SLIDE	GUIDE RESSORT BRAS BR	FUEHRUNG
5037	MT-ML5011	1	MOLLA SPAZZOLA LATERALE	SIDE BRUSH SPRING	RESSORT BROSSE LAT.	SEITENBUERSTESFEDER
5038	MT-SU5140	1	SUPPORTO MOTORE SPAZZOLA SINISTRA	LEFT BRUSH ENGINE SUP	SUPPORT MOTEUR BROSSE	STUETZE
5039	MT-VE290	1	VITE ESAGONALE M10x90	HEXAGONAL-HEADED BOLT	VIS M10X90	SECHSECKIGE SCHRAUBE
5041	MT-VE302	2	VITE ESAGONALE M12X35 UNI 5737/77	HEXAGONAL-HEADED BOLT	VIS M12X35	SECHSECKIGE SCHRAUBE
5042	MT-VE261	3	VITE TE M8x20	SCREW	VIS	SCHRAUBE
5043	MT-RO204	3	RONDELLA PIANA M8	WASHER	RONDELLE	SCHEIBE
5044	MT-FL5007	1	FLANGIA ATTACCO SPAZZOLA LATERALE	SIDE BRUSH FLANGE	FLANGE BROSSE LAT.	FLANSCH
5045	MT-SZ5000	1	SPAZZOLA LATERALE	SIDE NYLON BRUSH	BROSSE LATERALE NYLON	SEITENBUERSTE
5046	MT-RO302	3	RONDELLA SLARG.DIAM. 8x24 UNI 6592/	WASHER	RONDELLE	SCHEIBE
5047	MT-DD254	3	DADO AUTOBLOCCANTE M8	SELF-LOCKING NUT	ECROU DE SURETE	SICHERUNGSMUTTER
5048	MT-SU5139	1	SUPPORTO SPAZZOLA LATERALE SINISTRA	LH BRUSH SUPPORT	SUPPORT BROSSE LAT.GAUCHE	SAITENBESENSSTUETZE LINKS

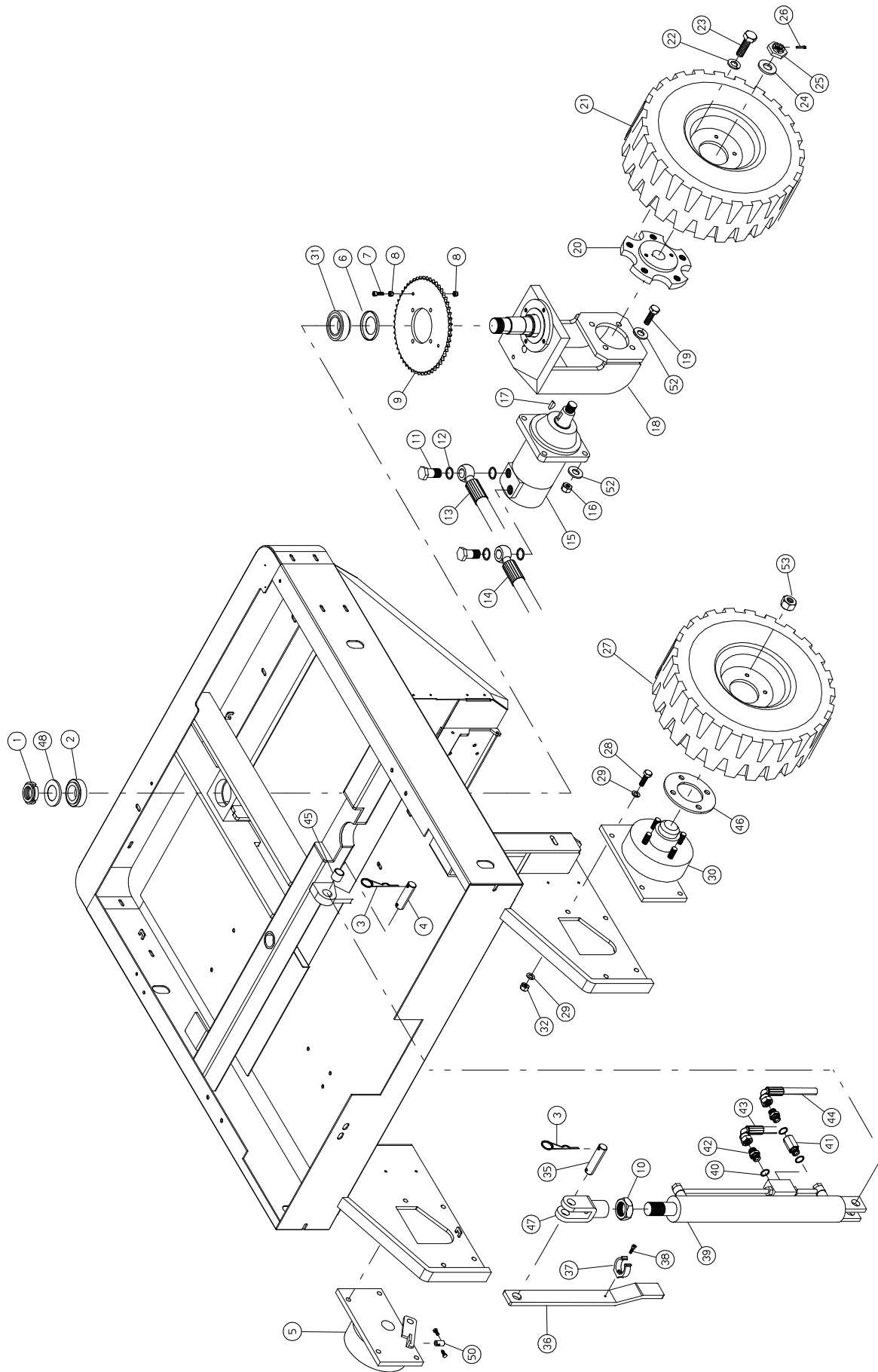


N.	Code Num	Qta	Descrizione	Description	Description	Bezeichnung
6001	MT-BP5040	1	GOMMA PARAPOLVERE DESTRA	RIGHT COVER DUST RUBB	GOMME ANTI-POUSSIERE	STAUBSCHUTZGUMMI
6002	MT-LM5007	2	LISTELLO LAT. INT.	BLADE	LISTEL	SEITENLEISTE
6003	MT-RO301	6	RONDELLA SLARGATA.6x18 UNI 6592/69	WASHER	RONDELLE	SCHEIBE
6004	MT-RO254	6	RONDELLA SPACCATA DIAM. 6 UNI 1751	WASHER	RONDELLE	SCHEIBE
6005	MT-VE244	6	VITE ESAGONALE M6x20 UNI 5737/77	HEXAGONAL-HEADED BOLT	VIS	SECHSECKIGE SCHRAUBE
6006	MT-DD255	1	DADO AUTOBLOCCANTE M10	SELF-LOCKING NUT	ECROU DE SURETE	SICHERUNGSMUTTER
6007	MT-RO205	1	RONDELLA NORMALE DIAM. 10 UNI 6592/	WASHER	RONDELLE	SCHEIBE
6008	MT-BP5041	1	GOMMA PARAPOLVERE SINISTRA	LEFT COVER DUST RUBBE	GOMME ANTI-POUSSIERE	STAUBSCHUTZGUMMI
6009	MT-LM5118	2	LISTELLO MINIGONNA LATERALE	SIDE SPOILER BLADE	LATTE MINI-JUPE LAT.	SEITENSPOILERSLEISTE
6010	MT-VL293	8	DADO AD ALETTA M6	NUT	ECROU	MUTTER
6011	MT-LM5119	1	1 LISTELLO MINIGONNA POSTERIORE	BACK SPOILER BLADE	LATTE MINI-JUPE ARR.	RUECKSPOILERSLEISTE
6012	MT-BP5042	1	GOMMA PARAPOLVERE POSTERIORE	REAR DUST RUBBER	CAOUTCHOUC ANTI-POUSSIERE	STAUBSCHUTZGUMMI
6013	MT-DD205	5	DADO M8 UNI 5588/65	NUT	ECROU	MUTTER
6014	MT-LM5120	1	2 LISTELLO MINIGONNA POSTERIORE	BACK SPOILER BLADE	LATTE MINI-JUPE ARR.	RUECKSPOILERSLEISTE
6015	MT-DD206	1	DADO M10 UNI 5588/65	NUT	ECROU	MUTTER
6016	MT-DD204	1	DADO M6 UNI 5588/65	NUT	ECROU	MUTTER
6017	MT-VE282	1	VITE ESAGONALE M10x30 UNI 5737/77	HEXAGONAL-HEADED BOLT	VIS	SECHSECKIGE SCHRAUBE
6018	MT-LV5076	1	LEVA COMANDO SPAZZOLA CENTRALE	CENTRAL BRUSH CONTROL	LEVIER COMMANDE BROSS	HEBEL
6019	MT-MI2509	1	ANTIVIBRANTE 18x7,5 M6 (TAMPONE)	VIBRATION-DAMPING	ANTIVIBRATOIRE	ERSCHUTTERUNGSFREIER
6020	MT-LV5077	1	LEVA RINVIO COMANDO SPAZZOLA CENTRA	LEVER	LEVIER RENVOI COMMAND	HEBEL
6021	MT-DD206	1	DADO M10 UNI 5588/65	NUT	ECROU	MUTTER
6022	MT-VE5009	1	VITE ESAGONALE M10x80 UNI 5737/77	HEXAGONAL-HEADED BOLT	VIS M10X80	SECHSECKIGE SCHRAUBE
6023	MT-LM5126	1	LAMIERA DI PROTEZIONE SPAZZOLA CENT	FENDER PLATE	TOLE DE PROTECTION BR	SCHUTZBLECH
6024	MT-RO204	3	RONDELLA PIANA M8	WASHER	RONDELLE	SCHEIBE
6025	MT-RO255	3	RONDELLA SPACCATA DIAM. 8 UNI 1751	WASHER	RONDELLE	SCHEIBE
6026	MT-VE260	3	VITE ESAGONALE M8x16 UNI 5737/77	HEXAGONAL-HEADED BOLT	VIS	SECHSECKIGE SCHRAUBE
6027	MT-VP5009	1	VOLANTINO M6X10	STEERING WHEEL	VOLANT A MAIN	LENKRAD
6028	MT-SU5133	1	SUPPORTO BRACCIO DESTRA SPAZZOLA CE	SUPPORT	SUPPORT BRAS DROIT BR	ARMSTUETZE
6029	MT-SG5000	2	ANELLO SEEGER PER INT.DIAM.40	RING	SEEGER	SEEGERRING
6030	MT-CS027	2	CUSCINETTO SKF 6203 2RS1	BEARING	ROULEMENT	KUGELLAGER
6031	MT-VB229	2	VITE CIL. BRUGOLA M8x10 UNI 5931/77	CHEESE BOLT	VIS M8X10	ZYLINDERSCHRAUBE
6032	MT-RO301	1	RONDELLA SLARGATA.6x18 UNI 6592/69	WASHER	RONDELLE	SCHEIBE
6033	MT-RO254	1	RONDELLA SPACCATA DIAM. 6 UNI 1751	WASHER	RONDELLE	SCHEIBE
6034	MT-VE244	1	VITE ESAGONALE M6x20 UNI 5737/77	HEXAGONAL-HEADED BOLT	VIS	SECHSECKIGE SCHRAUBE
6035	MT-VE285	1	VITE ESAGONALE M10x65 UNI 5737/77	HEXAGONAL-HEADED BOLT	VIS M10X65	SECHSECKIGE SCHRAUBE
6036	MT-DD255	1	DADO AUTOBLOCCANTE M10	SELF-LOCKING NUT	ECROU DE SURETE	SICHERUNGSMUTTER
6037	MT-SC052	2	CUSCINETTO C/SUPPORTO P47+YAR 204 F	BEARING SUPPORT	SUPPORT ROULEMENT	LAGERSTUETZE
6038	MT-DD254	1	DADO AUTOBLOCCANTE M8	SELF-LOCKING NUT	ECROU DE SURETE	SICHERUNGSMUTTER
6039	MT-VE244	1	VITE ESAGONALE M6x20 UNI 5737/77	HEXAGONAL-HEADED BOLT	VIS	SECHSECKIGE SCHRAUBE
6040	MT-RO254	1	RONDELLA SPACCATA DIAM. 6 UNI 1751	WASHER	RONDELLE	SCHEIBE
6041	MT-RO203	1	RONDELLA NORMALE DIAM. 6 UNI 6592/6	WASHER D6	RONDELLE	SCHEIBE
6042	MT-FL5001	1	FLANGIA TRASCINAMENTO SPAZZOLA	BRUSH FLANGE	FLASQUE BROSSSE	FLANSCH
6043	MT-VE260	1	VITE ESAGONALE M8x16 UNI 5737/77	HEXAGONAL-HEADED BOLT	VIS	SECHSECKIGE SCHRAUBE
6044	MT-RO255	1	RONDELLA SPACCATA DIAM. 8 UNI 1751	WASHER	RONDELLE	SCHEIBE
6045	MT-RO204	1	RONDELLA PIANA M8	WASHER	RONDELLE	SCHEIBE
6046	MT-PE5111	1	PERNO SPAZZOLA CENTRALE	CENTRAL BRUSH PIN	PIVOT BROSSSE CENT.	ZENTRALBUERSTESBOLZEN
6047	MT-CH008	1	LINGUETTA 5x5x15 UNI6604-A	TONGUE	CLAVETTE	PASSFEDER
6048	MT-MO5077	1	MOTORE SPAZZOLA CENTRALE	HYDRAULIC MOTOR	MOTEUR HYDR. BROSSSE	HYDROMOTOR
6049	MT-SZ5008	1	SPAZZOLA CENTRALE PPL 1.0	CENTRAL BRUSH	BROSSE CENTRALE 1.0	ZENTRALBUERSTE
6050	MT-RC010	6	RONDELLA IN RAME 3/8	COPPER WASHER	RONDELLE EN CUIVRE	KOPFERSCHEIBE
6051	MT-RC5076	1	RACCORDO A COLONNETTA	SHORT PIPE FITTING	RACCORD COLONNETTE CO	ANSCHLUSS
6052	MT-TU5076	1	TUBO 3/8" FD - O L=1090	PIPE	TUYAU 3/8" FD	ROHR
6053	MT-RC5015	2	VITE FORATA 3/8	SCREW	VIS	SCHRAUBE
6054	MT-TU5074	1	TUBO 3/8 F45 - O L=1175	PIPE	TUYAU 3/8 F45	ROHR
6055	MT-RO205	1	RONDELLA NORMALE DIAM. 10 UNI 6592/	WASHER	RONDELLE	SCHEIBE
6056	MT-DD255	1	DADO AUTOBLOCCANTE M10	SELF-LOCKING NUT	ECROU DE SURETE	SICHERUNGSMUTTER
6057	MT-ML5010	1	MOLLA SPAZZOLA CENTRALE	CENTRAL BRUSH SPRING	RESSORT BROSSSE CENT.	ZENTRALBUERSTESFEDER
6058	MT-SN004	1	SNODO (forcella) M10	JOINT	JOINT	GELENK
6059	MT-MI009	1	CLIPS PER FORCELLA M10	PIN	PIVOT	GABELSBOLZEN
6060	MT-DD206	1	DADO M10 UNI 5588/65	NUT	ECROU	MUTTER
6061	MT-MV5046	1	TRAFILA M10 L=270	DRAW	FILIERE	ZIEHEISEN
6062	MT-PE5064	1	PERNO LEVA SPAZZOLA CENTRALE	TIE ROD	PIVOT LEVIER BROSSSE C	BOLZEN
6063	MT-DT5041	1	DISTANZIALE VITE LEVA SPAZZOLA CENT	SPACER	ENTRETOISE LEVIER BRO	ABSTANDSTUECK
6064	MT-DD206	2	DADO M10 UNI 5588/65	NUT	ECROU	MUTTER
6065	MT-TU5073	1	TUBO 3/8 F90 - FD 3/8 L=500	PIPE	TUYAU 3/8 F90	ROHR
6066	MT-TU5076	1	TUBO 3/8" FD - O L=1090	PIPE	TUYAU 3/8" FD	ROHR
6067	MT-MI033	1	NIPLES M-M G3/8 G3/8	NIPPLE	NIPLES	NIPPEL



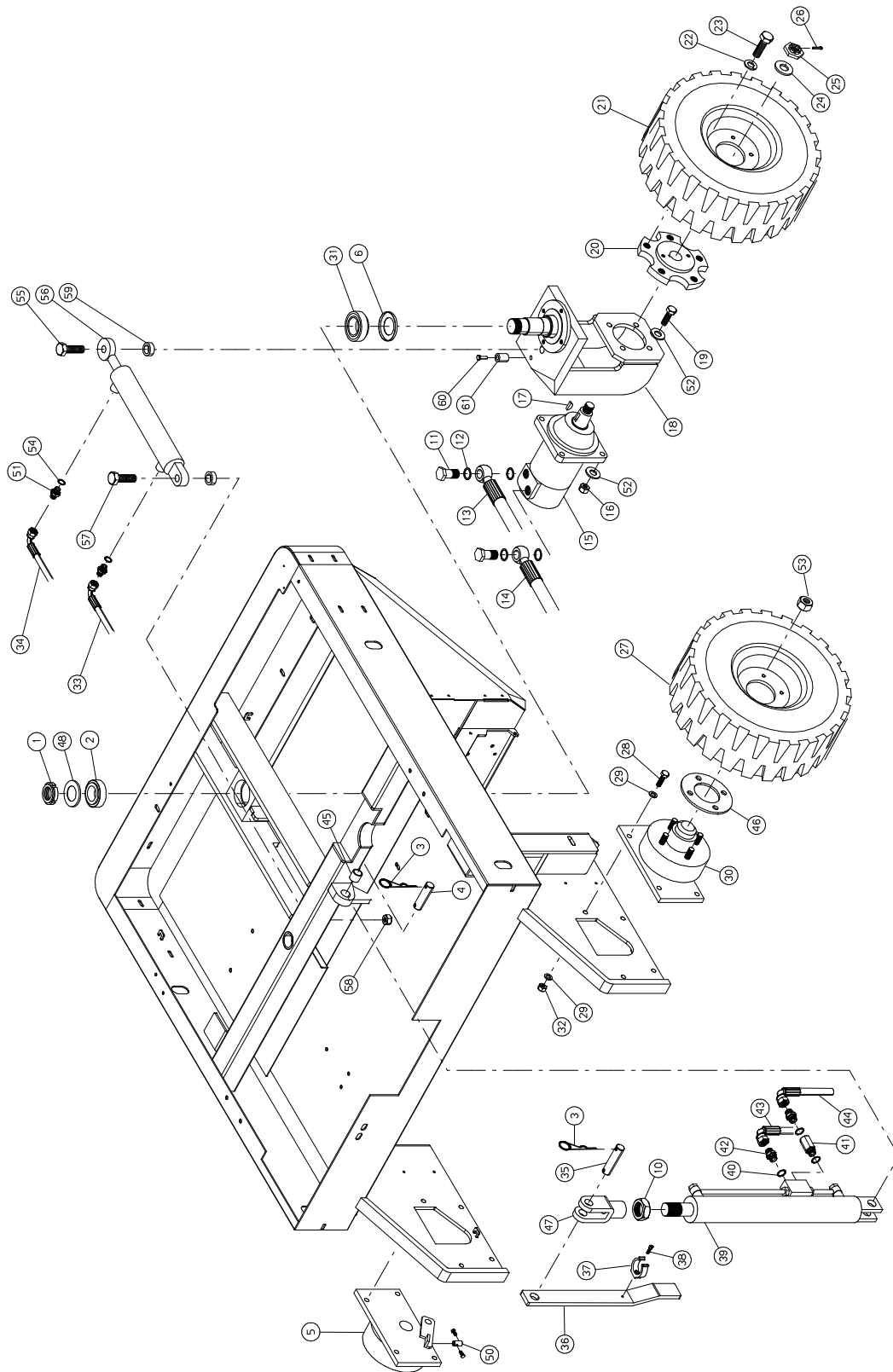


N.	Code Num	Qta	Descrizione	Description	Description	Bezeichnung
6068	MT-RC010	4	RONDELLA IN RAME 3/8	COPPER WASHER	RONDELLE EN CUIVRE	KOPFERSCHEIBE
6069	MT-TO5002	1	VALVOLA VU 3/8 UNIDIREZ.	VALVE	SOUPAPE	VENTIL VU 3/8
6070	MT-RC5022	1	NIPLES A T 3/8 M-M.90 F.GIR.	NIPPLE	ADAPTATEUR	NIPPEL
6071	MT-RC5076	1	RACCORDO A COLONNETTA LUNGA F3/8-M3	LONG PIPE FITTING	RACCORD A COLONNETTE	ANSCHLUSS
6072	MT-MI033	1	NIPLES M-M G3/8 G3/8	NIPPLE	NIPLES	NIPPEL
6073	MT-VE260	1	VITE ESAGONALE M8x16 UNI 5737/77	HEXAGONAL-HEADED BOLT	VIS	SECHSECKIGE SCHRAUBE
6074	MT-RO255	1	RONDELLA SPACCATA DIAM. 8 UNI 1751	WASHER	RONDELLE	SCHEIBE
6075	MT-RO204	1	RONDELLA PIANA M8	WASHER	RONDELLE	SCHEIBE
6076	MT-MA5020	1	MARTINETTO SPAZZ. CENTRALE UBF34 *F	CENTRAL BRUSH JACK	CRIC BROSSE CENT.	HEBEBOCK
6077	MT-DD205	1	DADO M8 UNI 5588/65	NUT	ECROU	MUTTER
6078	MT-SN003	1	FORCELLA M8	FORK	JOINT	GELENK
6079	MT-MI157	1	CLIPS PER FORCELLA M8	CLIPS	CLIPS	GABELSKLIPP
6080	MT-CT5008	1	CATENA SPAZZOLA CENTRALE L=250	CENTRAL BRUSH CHAIN	CHAINE BROSSE CENT.	KETTE
6081	MT-RO205	2	RONDELLA NORMALE DIAM. 10 UNI 6592/	WASHER	RONDELLE	SCHEIBE
6082	MT-VE282	1	VITE ESAGONALE M10x30 UNI 5737/77	HEXAGONAL-HEADED BOLT	VIS	SECHSECKIGE SCHRAUBE
6083	MT-FL5023	1	FLANGIA SUPPORTO SPAZZOLA CENTRALE	FLANGE	BRIDE SUPPORT BROSSE	FLANSCH
6084	MT-LM5383	1	LAMIERA CHIUSURA PERNO SOLL.SPAZZ.CENTR.	PIN CLOSING SHEET	TOLE CLOSURE PIVOT	STIFTVERSCHLUSSBLECH
6085	MT-CH101	1	LINGUETTA DISCO 5x7,5x19 UNI6606-ISO3912	TONGUE	CLAVETTE	PASSFEDER
6086	MT-SU567	1	SUPPORTO SPAZZOLA CENTRALE	MAIN BRUSH SUPPORT	SUPPORT BROSSE CENTRALE	HAUPTBUERSPESPUETZE
6087	MT-SU5133	1	SUPPORTO BRACCIO DESTRA SPAZZOLA	RIGHT SUPPORT FOR CENTRAL BRUSH SUPORT	DROIT BROSSE CENTRAL	ZENTRALE

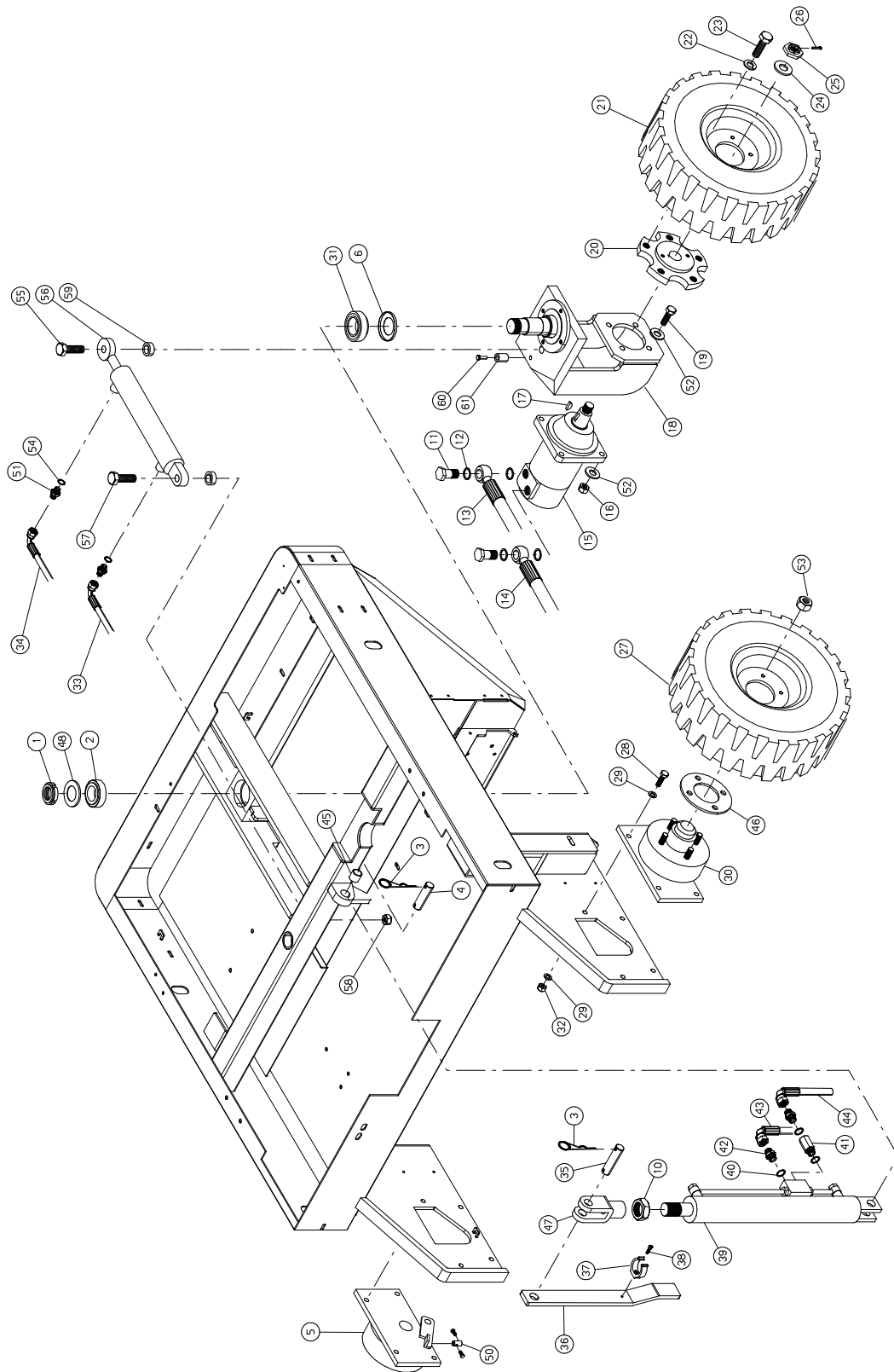




N.	Code Num	Qta	Descrizione	Description	Description	Bezeichnung
7001	MT-GH025	1	GHIERA M35X1.5	RING NUT	EMBOUT	GITTER
7002	MT-CS048	1	CUSCINETTO CONICO 32007 X/Q	BEARING	ROULEMENT	ROLLENLAGER
7003	MT-SP006	2	SPINA ELASTICA 4X22	PIN	CONNECTEUR 4X22	SPANNSTIFT
7004	MT-PE5072	1	PERNO CORTO MARTINETTO CASSONE	SHORT TIE ROD	PIVOT COURT CRIC CONT	KURZBOLZEN
7005	MT-RP5019	1	MOZZO RUOTA DESTRA	HUB	MOYEU ROUE DROITE	RECHTRADNABE
7006	MT-GI5000	1	PARAPOLVERE IN LAMIERA	DUST COVER	ANTI-POUSSIÈRE	STAUBKAPPE
7007	MT-VB231	2	VITE CIL. BRUGOLA M8x20 ZINCATA	CHEESE BOLT	VIS	ZYLINDERSCHRAUBE
7008	MT-DD205	4	DADO M8 UNI 5588/65	NUT	ECROU	MUTTER
7009	MT-XD5006	1	CORONA STERZO	STEERING WHEEL CROWN	COURONNE BARRE DIRECT	KRANZ
7010	MT-DD5017	1	DADO BASSO M20x1,5	SELF-LOCKING NUT	ECROU DE SURETE	SICHERUNGSMUTTER
7011	MT-RC5014	2	VITE FORATA 1/2	SCREW	VIS	SCHRAUBE
7012	MT-RO5002	4	RONDELLA RAME 1/2	COPPER WASHER	RONDELLE	KOPFERSCHEIBE
7013	MT-TU5056	1	TUBO 1/2 O 1/2 - O 1/2 L=1360	PIPE	TUYAU 1/2 OU 1/2	ROHR
7014	MT-TU5057	1	TUBO 1/2 F90 - O 1/2 L=1310	PIPE	TUYAU 1/2 F90	ROHR
7015	MT-MO5079	1	MOTORE IDRAULICO TRAZIONE	TRACTION HYDRAULIC EN	MOTEUR HYDRAULIQUE TR	HYDROANTRIEBMOTOR
7016	MT-DD256	4	DADO AUTOBLOCCANTE M12	SELF-LOCKING NUT	ECROU DE SURETE M12	SICHERUNGSMUTTER
7017	MT-CH011	1	LINGUETTA 5x5x20 UNI6604-A	TONGUE	CLAVETTE	PASSFEDER
7018	MT-SU5153	1	SUPPORTO MOTORUOTA	SUPPORT	SUPPORT MOTOROUE	STUETZE
7019	MT-VE305	4	VITE ESAGONALE M12x55 UNI 5737/77	HEXAGONAL-HEADED BOLT	VIS M12X55	SECHSECKIGE SCHRAUBE
7020	MT-RP5000	1	MOZZO RUOTA POSTERIORE	REAR WHEEL HUB	MOYEU ROUE	RUECKRADNABE
7021	MT-RT5013	1	RUOTA COMPLETA DI CERCHIO 5 FORI	WHEEL	ROUE AVEC CERCLE 5 TR	RAD
7022	MT-RO5017	4	RONDELLA SPACCATA DIAM. 16	WASHER	RONDELLE 16	SCHEIBE
7023	MT-VE5001	4	VITE TE M16X1.5X35 8.8 UNI5740	SCREW	VIS	SCHRAUBE
7024	MT-RO5018	4	RONDELLA SLARGATA DIAM 20x45	WASHER	RONDELLE 20X45	SCHEIBE
7025	MT-DD800	1	DADO SAMHIDRAULIK CON COPPIGLIA	NUT	ECROU	MUTTER
7026	MT-CP213	1	COPPIGLIA 3x60 ZINC.	SPLIT PIN	GOUPILLE	SPLINT
7027	MT-RT5012	2	RUOTA COMPLETA DI CERCHIO 4 FORI	WHEEL	ROUE AVEC CERCLE 4 TR	RAD
7028	MT-VE282	4	VITE ESAGONALE M10x30 UNI 5737/77	HEXAGONAL-HEADED BOLT	VIS	SECHSECKIGE SCHRAUBE
7029	MT-RO205	8	RONDELLA NORMALE DIAM. 10 UNI 6592/	WASHER	RONDELLE	SCHEIBE
7030	MT-RP5020	1	MOZZO RUOTA SINISTRA	LEFT WHEEL HUB	MOYEU ROUE GAUCHE	LINKSRADNABE
7031	MT-CS036	1	CUSCINETTO 32008X/Q	BEARING 32008X	ROULEMENT	KUGELLAGER
7032	MT-DD255	4	DADO AUTOBLOCCANTE M10	SELF-LOCKING NUT	ECROU DE SURETE	SICHERUNGSMUTTER
7035	MT-PE5073	1	PERNO LUNGO MARTINETTO CASSONE	SHORT TIE ROD	PIVOT COURT CRIC CONT	KURZBOLZEN
7036	MT-LV5078	1	LEVA SICUREZZA CASSONE	BODY LEVER	LEVIER SURETE CONT.DE	SICHERUNGSHABEL
7037	MT-MI5063	1	MOLLA FERMATUBO D.32	SPRING	RESSORT TUYAU	FEDER
7038	MT-VB910	1	VITE CIL. BRUGOLA M5x14 UNI 5931/77	CHEESE BOLT	VIS M5X14	ZYLINDERSCHRAUBE
7039	MT-MA5017	1	CILINDRO SOLLEVAMENTO CASSONE UBF34	BODY JACK	CYLINDRE DE LEVAGE DU	HUBHEBEBOCK
7040	MT-RO5901	3	RONDELLA IN RAME 1/4"	COPPER WASHER	RONDELLE	KOPFERSCHRAUBE
7041	MT-RC5059	1	RACCORDO COLONNETTA CORTA M1/4 F1/4	SHORT PIPE FITTING	RACCORD COLONNETTE CO	ANSCHLUSS
7042	MT-RC5057	2	NIPPLO M1/4 M1/4 CON FORO USCITA 1m	NIPPLE	NIPPLES M1/4	NIPPEL
7043	MT-TU5080	1	TUBO 1/4 F90 F90 260^ L=280	PIPE	TUYAU 1/4 F90	ROHR
7044	MT-TU5079	1	TUBO 1/4 F90 F90 180^ L=450	PIPE	TUYAU 1/4 180^	ROHR
7045	MT-BO5042	1	BOCCOLA NYLON	NYLON BUSH	COQUILLE	NYLONBUCHSE
7046	MT-DT5040	2	DISTANZIALE MOZZO RUOTA	HUB SPACER	ENTRETOISE MOYEU ROUE	ABSTANDSTUECK
7047	MT-FR5006	1	FORCELLA X MARTINETTO CASSONE	FORK	FOURCHETTE X CRIC CON	GABEL
7048	MT-GI5001	1	PARAPOLVERE IN LAMIERA D=60-d=35 x	DUST COVER	ANTI-POUSSIÈRE	STAUBKAPPE
7050	MT-MI5056	4	FERMA CAVO	BLOCKING CABLE	RACCORD CABLE	KABELSBEFESTIGUNG
7052	MT-RO218	8	RONDELLA NORMALE DIAM. 12 UNI 6592/	WASHER	RONDELLE NORM. 12	SCHEIBE
7053	MT-DD2500	4	DADO M12x1,5 A CUL D'UOVO x RUOTA A	NUT	ECROU	SCHRAUBENMUTTER

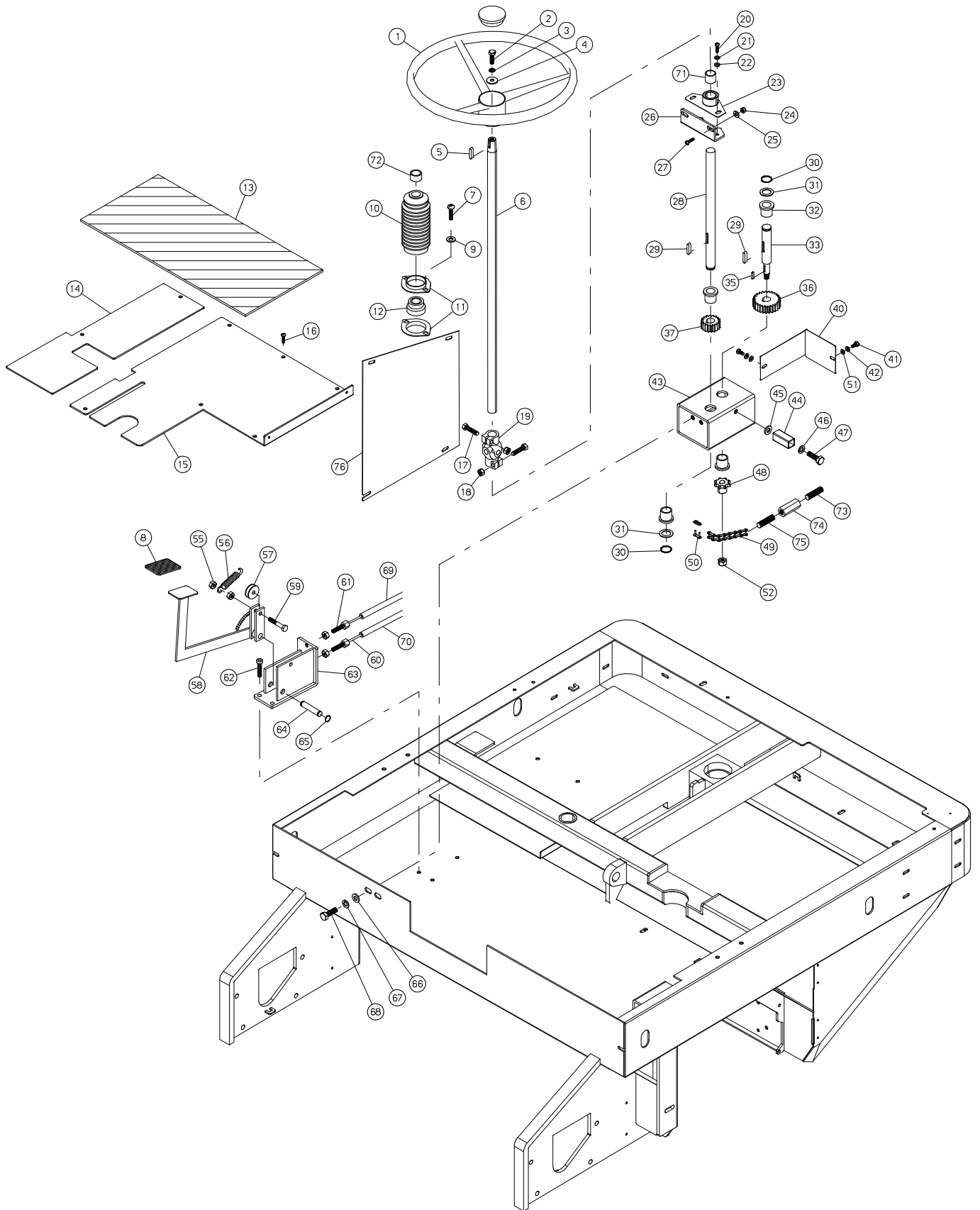


N.	Code Num	Qta	Descrizione	Description	Description	Bezeichnung
B7001	MT-GH025	1	GHIERA M35X1.5	RING NUT	EMBOUT	GITTER
B7002	MT-CS048	1	CUSCINETTO CONICO 32007 X/Q	BEARING	ROULEMENT	ROLLENLAGER
B7003	MT-SP006	2	SPINA ELASTICA 4X22	PIN	CONNECTEUR 4X22	SPANNSTIFT
B7004	MT-PE5072	1	PERNO CORTO MARTINETTO CASSONE	SHORT TIE ROD	PIVOT COURT CRIC CONT	KURZBOLZEN
B7005	MT-RP5019	1	MOZZO RUOTA DESTRA	HUB	MOYEU ROUE DROITE	RECHTRADNABE
B7006	MT-GI5000	1	PARAPOLVERE IN LAMIERA	DUST COVER	ANTI-POUSSIÈRE	STAUBKAPPE
B7010	MT-DD5017	1	DADO BASSO M20x1,5	SELF-LOCKING NUT	ECROU DE SURETE	SICHERUNGSMUTTER
B7011	MT-RC5014	2	VITE FORATA 1/2	SCREW	VIS	SCHRAUBE
B7012	MT-RO5002	4	RONDELLA RAME 1/2	COPPER WASHER	RONDELLE	KOPFERSCHEIBE
B7013	MT-TU5056	1	TUBO 1/2 O 1/2 - O 1/2 L=1360	PIPE	TUYAU 1/2 OU 1/2	ROHR
B7014	MT-TU5057	1	TUBO 1/2 F90 - O 1/2 L=1310	PIPE	TUYAU 1/2 F90	ROHR
B7015	MT-MO5051	1	MOTORE IDRAULICO TRAZIONE	TRACTION HYDRAULIC EN	MOTEUR HYDRAULIQUE TR	HYDROANTRIEBMOTOR
B7016	MT-DD256	4	DADO AUTOBLOCCANTE M12	SELF-LOCKING NUT	ECROU DE SURETE M12	SICHERUNGSMUTTER
B7017	MT-CH011	1	LINGUETTA 5x5x20 UNI6604-A	TONGUE	CLAVETTE	PASSFEDER
B7018	MT-SU5153	1	SUPPORTO MOTORUOTA	SUPPORT	SUPPORT MOTOROUE	STUETZE
B7019	MT-VE305	4	VITE ESAGONALE M12x55 UNI 5737/77	HEXAGONAL-HEADED BOLT	VIS M12X55	SECHSECKIGE SCHRAUBE
B7020	MT-RP5000	1	MOZZO RUOTA POSTERIORE	REAR WHEEL HUB	MOYEU ROUE	RUECKRADNABE
B7021	MT-RT5013	1	RUOTA COMPLETA DI CERCHIO 5 FORI	WHEEL	ROUE AVEC CERCLE 5 TR	RAD
B7022	MT-RO5017	4	RONDELLA SPACCATA DIAM. 16	WASHER	RONDELLE 16	SCHEIBE
B7023	MT-VE5001	4	VITE TE M16X1.5X35 8.8 UNI5740	SCREW	VIS	SCHRAUBE
B7024	MT-RO5018	4	RONDELLA SLARGATA DIAM 20x45	WASHER	RONDELLE 20X45	SCHEIBE
B7025	MT-DD800	1	DADO SAMIDRAULIK CON COPPIGLIA	NUT	ECROU	MUTTER
B7026	MT-CP213	1	COPPIGLIA 3x60 ZINC.	SPLIT PIN	GOUPILLE	SPLINT
B7027	MT-RT5012	2	RUOTA COMPLETA DI CERCHIO 4 FORI	WHEEL	ROUE AVEC CERCLE 4 TR	RAD
B7028	MT-VE282	4	VITE ESAGONALE M10x30 UNI 5737/77	HEXAGONAL-HEADED BOLT	VIS	SECHSECKIGE SCHRAUBE
B7029	MT-RO205	8	RONDELLA NORMALE DIAM. 10 UNI 6592/	WASHER	RONDELLE	SCHEIBE
B7030	MT-RP5020	1	MOZZO RUOTA SINISTRA	LEFT WHEEL HUB	MOYEU ROUE GAUCHE	LINKSRADNABE
B7031	MT-CS036	1	CUSCINETTO 32008X/Q	BEARING 32008X	ROULEMENT	KUGELLAGER
B7032	MT-DD255	4	DADO AUTOBLOCCANTE M10	SELF-LOCKING NUT	ECROU DE SURETE	SICHERUNGSMUTTER
B7033	MT-TU5087	1	TUBO 1/4 F90 F90 L=1270	PIPE	TUYAU 1/4 F90	ROHR
B7034	MT-TU5086	1	TUBO 1/4 F90 F90 L=1430	PIPE	TUYAU 1/4 F90	ROHR
B7035	MT-PE5073	1	PERNO LUNGO MARTINETTO CASSONE	SHORT TIE ROD	PIVOT COURT CRIC CONT	KURZBOLZEN
B7036	MT-LV5078	1	LEVA SICUREZZA CASSONE	BODY LEVER	LEVIER SURETE CONT.DE	SICHERUNGSHABEL
B7037	MT-MI5063	1	MOLLA FERMATUBO D.32	SPRING	RESSORT TUYAU	FEDER
B7038	MT-VB910	1	VITE CIL. BRUGOLA M5x14 UNI 5931/77	CHEESE BOLT	VIS M5X14	ZYLINDERSCHRAUBE
B7039	MT-MA5017	1	CILINDRO SOLLEVAMENTO CASSONE UBF34	BODY JACK	CYLINDRE DE LEVAGE DU	HUBHEBEBOCK
B7040	MT-RO5901	3	RONDELLA IN RAME 1/4"	COPPER WASHER	RONDELLE	KOPFERSCHRAUBE
B7041	MT-RC5059	1	RACCORDO COLONNETTA CORTA M1/4 F1/4	SHORT PIPE FITTING	RACCORD COLONNETTE CO	ANSCHLUSS
B7042	MT-RC5057	2	NIPPLO M1/4 M1/4 CON FORO USCITA 1m	NIPPLE	NIPPLES MI/4	NIPPEL
B7043	MT-TU5080	1	TUBO 1/4 F90 F90 260^ L=280	PIPE	TUYAU 1/4 F90	ROHR
B7044	MT-TU5079	1	TUBO 1/4 F90 F90 180^ L=450	PIPE	TUYAU 1/4 180^	ROHR
B7045	MT-BO5042	1	BOCCOLA NYLON	NYLON BUSH	COQUILLE	NYLONBUCHSE
B7046	MT-DT5040	2	DISTANZIALE MOZZO RUOTA	HUB SPACER	ENTRETOISE MOYEU ROUE	ABSTANDSTUECK
B7047	MT-FR5006	1	FORCELLA X MARTINETTO CASSONE	FORK	FOURCHETTE X CRIC CON	GABEL
B7048	MT-GI5001	1	PARAPOLVERE IN LAMIERA D=60-d=35 x	DUST COVER	ANTI-POUSSIÈRE	STAUBKAPPE
B7050	MT-MI5056	4	FERMA CAVO	BLOCKING CABLE	RACCORD CABLE	KABELSBEFESTIGUNG
B7051	MT-RC5016	2	NIPLES M-M G1/4 G1/4	NIPPLE	NIPPLES MI/4	NIPPEL
B7052	MT-RO218	8	RONDELLA NORMALE DIAM. 12 UNI 6592/	WASHER	RONDELLE NORM. 12	SCHEIBE
B7053	MT-DD2500	4	DADO M12x1,5 A CUL D'UOVO x RUOTA A	NUT	ECROU	SCHRAUBENMUTTER

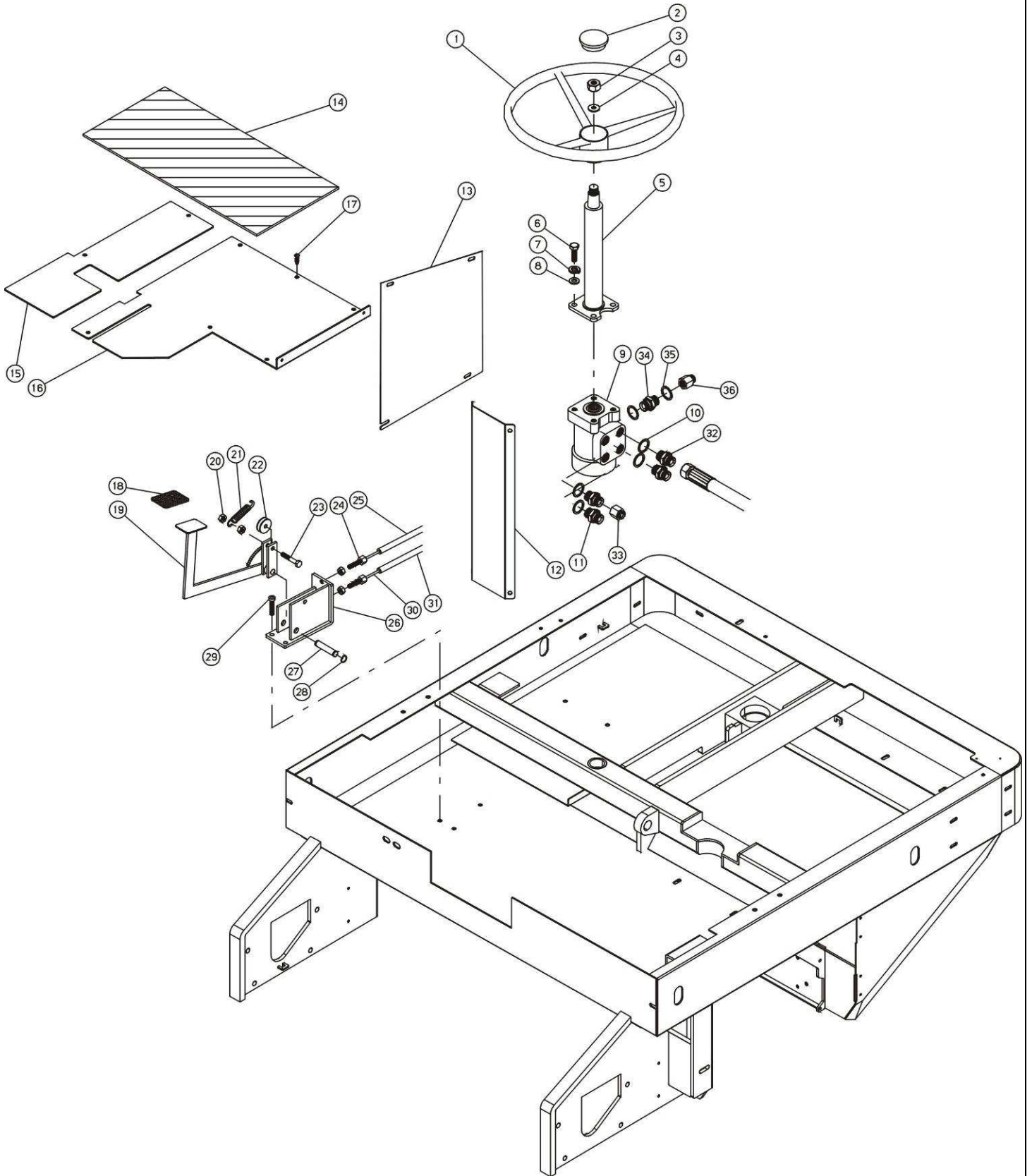




N.	Code Num	Qta	Descrizione	Description	Description	Bezeichnung
B7054	MT-RC5901	2	RONDELLA IN RAME 1/4 "	COPPER WASHER	RONDELLE	KOPFERSCHRAUBE
B7055	MT-VI5016	1	VITE M20 L=50 TESTA ESAGONALE MODIFICATA	SCREW	VIS	SCHRAUBE
B7056	MT-MA5010	1	MARTINETTO STERZO	JACK	BROSSE	HEBEBOCK
B7057	MT-VE3400	1	VITE TCE M20x90	HEXAGONAL-HEADED BOLT	VIS	SECHSECKIGE SCHRAUBE
B7058	MT-DD3400	1	DADO AUTOBLOCCANTE BASSO M20	NUT	ECROU	MUTTER
B7059	MT-DT3400	2	DISTANZIALE Di=10 De=19 L=25	SPACER	ENTRETOISE	ABSTANDSTUECK
B7060	MT-VE287	1	VITE ESAGONALE M10x40	SCREW	VIS	SCHRAUBE
B7061	MT-DT5048	1	DISTANZIALE De=30 Di=20 L=11	SPACER	ENTRETOISE	ABSTANDSTUECK

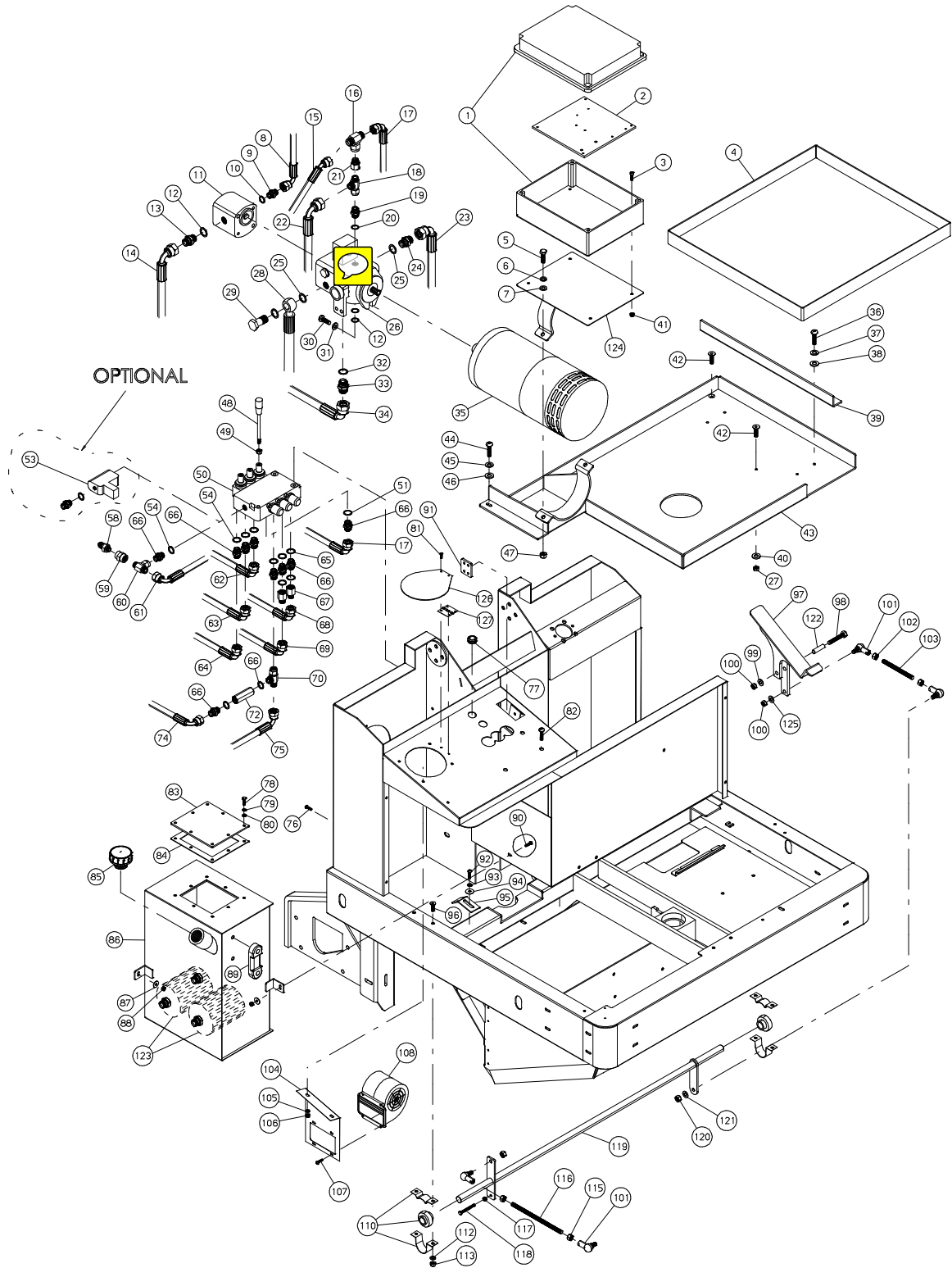


N.	Code Num	Qta	Descrizione	Description	Description	Bezeichnung
8001	MT-MI5049	1	VOLANTE CON TAPPO	STEERING WHEEL	VOLANT AVEC BOUCHON	LENKRAD MIT STOPFEN
8002	MT-VE260	1	VITE ESAGONALE M8x16 UNI 5737/77	HEXAGONAL-HEADED BOLT	VIS	SECHSECKIGE SCHRAUBE
8003	MT-RO255	1	RONDELLA SPACCATA DIAM. 8 UNI 1751	WASHER	RONDELLE	SCHEIBE
8004	MT-RO302	1	RONDELLA SLARG.DIAM. 8x24 UNI 6592/	WASHER	RONDELLE	SCHEIBE
8005	MT-CH011	1	LINGUETTA 5x5x20 UNI6604-A	TONGUE	CLAVETTE	PASSFEDER
8006	MT-PE5075	1	PERNO VOLANTE	STEERING WHEEL PIN	PIVOT VOLANT	LENKRADSBOLZEN
8007	MT-VE260	2	VITE ESAGONALE M8x16 UNI 5737/77	HEXAGONAL-HEADED BOLT	VIS	SECHSECKIGE SCHRAUBE
8008	MT-IS001	1	RIVESTIMENTO PEDALE	COVERING PEDAL	REVÊTEMENT PÉDALE	VERKLEIDUNG PEDAL
8009	MT-RO204	2	RONDELLA PIANA M8	WASHER	RONDELLE	SCHEIBE
8010	MT-MV5050	1	SOFFIETTO ALB. STERZO -07907-103400	BELLOWS	SOUFFLET DU DE LA BAR	BLASEBALG
8011	MT-SC001	1	SUPPORTO CUSCINETTO PFT47	BEARING SUPPORT	SUPPORT ROULEMENT	KUGELLAGERSTYETZE
8012	MT-BO5056	1	BOCCOLA STERZO S34	STEERING WHEEL BUSH	DOUILLE	LENKBUCHSE
8013	MT-BP5050	1	PEDANA GOMMA PRISMATA 525x248x3	RUBBER FOOTBOARD	MARCHEPIED EN CAOUTCH	TRITTBRETT
8014	MT-PA5007	1	PEDANA DESTRA	RIGHT FOOTBOARD	MARCHEPIED DROIT	RECHTSTRITTBRETT
8015	MT-ML5165	1	PEDANA CENTRALE UBF34 NEW	CENTRAL FOOTBOARD	MARCHEPIED CENTRAL UB	ZENTRALTRITTBRETT
8016	MT-VV5001	12	VITE TESTA BOMBATA M6x16	CUP-HEADED BOLTNG	VIS BOMBEE M6X16	HALBRUNDSCHRAUBE
8017	MT-VE264	2	VITE ESAGONALE M8x35 UNI 5737/77	HEXAGONAL-HEADED BOLT	VIS	SECHSECKIGE SCHRAUBE
8018	MT-DD5014	1	DADO AUTOBLOCCANTE BASSO M8	SELF-LOCKING NUT	ECROU DE SURETE M8	SICHERUNGSMUTTER
8019	MT-GN010	1	SNODO STERZO	STEERING JOINT	JOINT	LENKGELENK
8020	MT-VV5001	2	VITE TESTA BOMBATA M6x16	CUP-HEADED BOLTNG	VIS BOMBEE M6X16	HALBRUNDSCHRAUBE
8021	MT-RO254	2	RONDELLA SPACCATA DIAM. 6 UNI 1751	WASHER	RONDELLE	SCHEIBE
8022	MT-RO301	2	RONDELLA SLARGATA.6x18 UNI 6592/69	WASHER	RONDELLE	SCHEIBE
8023	MT-SU5151	1	SUPPORTO ALBERO STERZO	SHAFT SUPPORT	SUPPORT BARRE DE DIRE	LENKWELLESTUETZE
8024	MT-DD5015	1	DADO AUTOBLOCCANTE BASSO M6	SELF-LOCKING NUT	ECROU DE SURETE BAS	SICHERUNGSMUTTER
8025	MT-RO203	1	RONDELLA NORMALE DIAM. 6 UNI 6592/6	WASHER D6	RONDELLE	SCHEIBE
8026	MT-PT5093	1	PIASTRA SUPPORTO ALBERO STERZO	SUPPORT PLATE	PLAQUE SUPPORT BARRE	PLATTE
8027	MT-VV5001	2	VITE TESTA BOMBATA M6x16	CUP-HEADED BOLTNG	VIS BOMBEE M6X16	HALBRUNDSCHRAUBE
8028	MT-PE5074	1	PERNO SCATOLA STERZO	PIN	PIVOT CRIC HYDR.	BEFESTIGUNGSBOLZEN
8029	MT-CH023	2	LINGUETTA 6x6x30 UNI6604-A	TONGUE	CLAVETTE 6X6X30	PASSFEDER
8030	MT-SG009	2	ANELLO SEEGER PER EST. D.17 UNI 74	RING	BAGUE SEEGER	SEEGERRING
8031	MT-RO5016	2	SPESSORE PER AGGIUSTAMENTO De=21 Sp	DISTANCE WASHER	EPAISSEUR DE REGLAGE	ABSTANDSCHEIBE
8032	MT-BO5044	4	BOCCOLA SINTERIZZATA	BUSH	COQUILLE FRITTEE	SCHEIBE
8033	MT-AL5038	1	ALBERO PIGNONE	PINION SHAFT	TIRANT DU PIGNON	RIETZELWELLE
8035	MT-CH020	1	LINGUETTA 6x6x25 UNI6604-A	TONGUE	CLAVETTE 6X6X25	PASSFEDER
8036	MT-IG5002	1	INGRANAGGIO STERZO Z=13	GEAR	COURONNE Z=13	LENKGETRIEBE
8037	MT-IG5001	1	INGRANAGGIO STERZO Z=26	GEAR	COURONNE Z=26	LENKGETRIEBE
8040	MT-PT5073	1	PIASTRA COPERCHIO SCATOLA STERZO	PLATE	PLAQUE	PLATTE
8041	MT-VE243	2	VITE ESAGONALE M6x16 UNI 5737/77	HEXAGONAL-HEADED BOLT	VIS	SECHSECKIGE SCHRAUBE
8042	MT-RO254	2	RONDELLA SPACCATA DIAM. 6 UNI 1751	WASHER	RONDELLE	SCHEIBE
8043	MT-MV5048	1	SCATOLA STERZO	STEERING BOX	BOITE DE DIRECTION	LENKGEHAEUSE
8044	MT-DT5042	1	DISTANZIALE SCATOLA STERZO	SPACER	ENTRETOISE BOITE DE D	ABSTANDSTUECK
8045	MT-RO5008	1	RONDELLA SLARG. D.10x20 UNI6592/69	WASHER 10X20	RONDELLE 10X20	SCHEIBE
8046	MT-RO256	1	RONDELLA SPACCATA DIAM.10 UNI 1751	WASHER	RONDELLE	SCHEIBE
8047	MT-VE288	1	VITE ESAGONALE M10x70 UNI 5737/77	HEXAGONAL-HEADED BOLT	VIS	SECHSECKIGE SCHRAUBE
8048	MT-XD5005	1	PIGNONE STERZO	STEERING PINION	PIGNON BARRE DE DIREC	LENKRIETZEL
8049	MT-CT5009	1	CATENA STERZO 1/2" REGINA 145 PASSI	STEERING CHAIN	CHAINE BARRE DE DIREC	LENKKETTE
8050	MT-CT5010	2	GIUNTO 1/2-5/16	JOINT	JOINT	VERBINDUNG
8051	MT-RO301	2	RONDELLA SLARGATA.6x18 UNI 6592/69	WASHER	RONDELLE	SCHEIBE
8052	MT-DD256	1	DADO AUTOBLOCCANTE M12	SELF-LOCKING NUT	ECROU DE SURETE M12	SICHERUNGSMUTTER
8055	MT-DD254	2	DADO AUTOBLOCCANTE M8	SELF-LOCKING NUT	ECROU DE SURETE	SICHERUNGSMUTTER
8056	MT-ML080	1	MOLLA	SPRING	RESSORT	FEDER
8057	MT-MI2501	1	CARRUCOLA D35	PULLEY	POULIE	SEILROLLE
8058	MT-LV5023	1	LEVA PEDALE FRENO	LEVER BRAKE	LEVIER FREIN	BREMSHEBEL
8059	MT-VE265	1	VITE ESAGONALE M8x40 UNI 5737/77	HEXAGONAL-HEADED BOLT	VIS	SECHSECKIGE SCHRAUBE
8060	MT-MI5055	2	FUNE FRENO L=2600 C/PALLINO	BRAKE CABLE	CABLE DU FREIN	SEIL
8061	MT-MI5004	4	REGOLATORE FILO FRENO M8	BRAKE WIRE REGULATOR	REG.FIL FREIN	REGLER
8062	MT-VB231	3	VITE CIL. BRUGOLA M8x20 ZINCATA	CHEESE BOLT	VIS	ZYLINDERSCHRAUBE
8063	MT-KIT5003	1	ASSEMBLAGGIO PEDALE FRENO	BRAKE PEDAL ASSY	ASSEMBLEE PEDAL FREIN	BREMSEN PEDAL ZUSAMMENBAU
8064	MT-PE070	1	PERNO FISSAGGIO STAFFA A T	PIN	PIVOT	BOLZEN
8065	MT-SG001	1	ANELLO SEEGER PER EST. D10 UNI 7435	RING	SEEGER	SEEGERRING
8066	MT-RO205	2	RONDELLA NORMALE DIAM. 10 UNI 6592/	WASHER	RONDELLE	SCHEIBE
8067	MT-RO256	2	RONDELLA SPACCATA DIAM.10 UNI 1751	WASHER	RONDELLE	SCHEIBE
8068	MT-VE289	2	VITE ESAGONALE M10x25 UNI 5737/77 Z	HEXAGONAL-HEADED BOLT	VIS	SECHSECKIGE SCHRAUBE
8069	MT-MI5082	1	GUAINA 4X8 L=650	SHEATH	GAINÉ 4X8	MANTEL
8070	MT-MI5083	1	GUAINA 4X8 L=1175	SHEATH	GAINÉ 4X8 L=1175	MANTEL
8071	MT-BO5042	1	BOCCOLA NYLON	NYLON BUSH	COQUILLE	NYLONBUCHSE
8072	MT-BO5049	1	BOCCOLA SOFFIETTO STERZO	BUSH	COQUILLE SOUFFLET BAR	LENKBLASEBALGSBUCHSE
8073	MT-MV5039	1	VITE TENDICATENA SINISTRA	LEFT SCREW	VIS TENDEUSE DE CHAIN	KETTENSPIANNERSCHRAUBE
8074	MT-MV5040	1	TENDICATENA	CHAIN TIGHTENER	TENDEUR DE CHAINE	KETTENSPIANNER
8075	MT-MV5041	1	VITE TENDICATENA DESTRA	LEFT SCREW	VIS TENDEUSE DE CHAIN	KETTENSPIANNERSCHRAUBE
8076	MT-TP5053	1	CHIUSURA LAT. PEDANA UBF 34/NEW	CLOSURE	FERMETURE LAT.MARCHEP	SEITENVERSCHLUSS

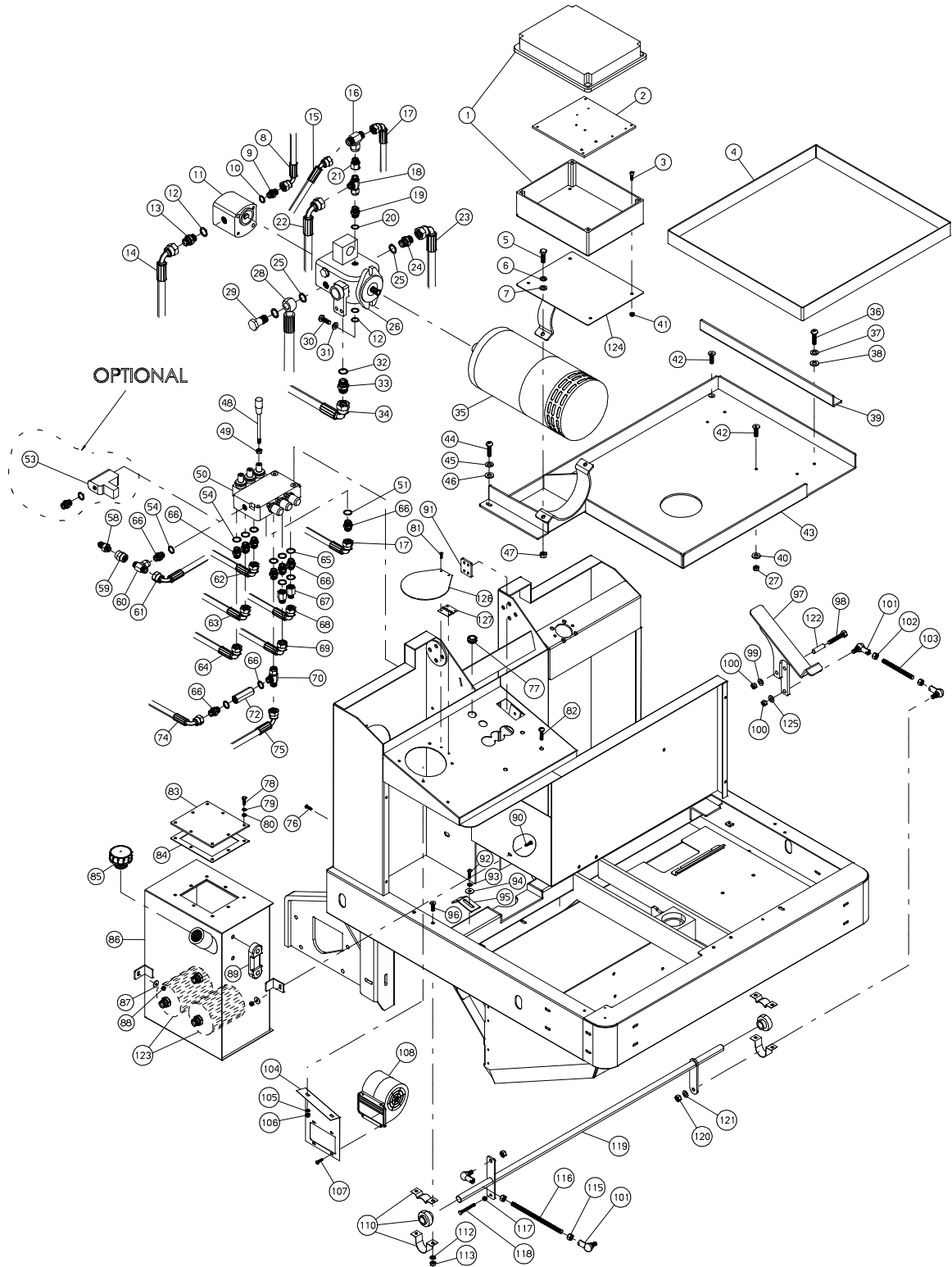




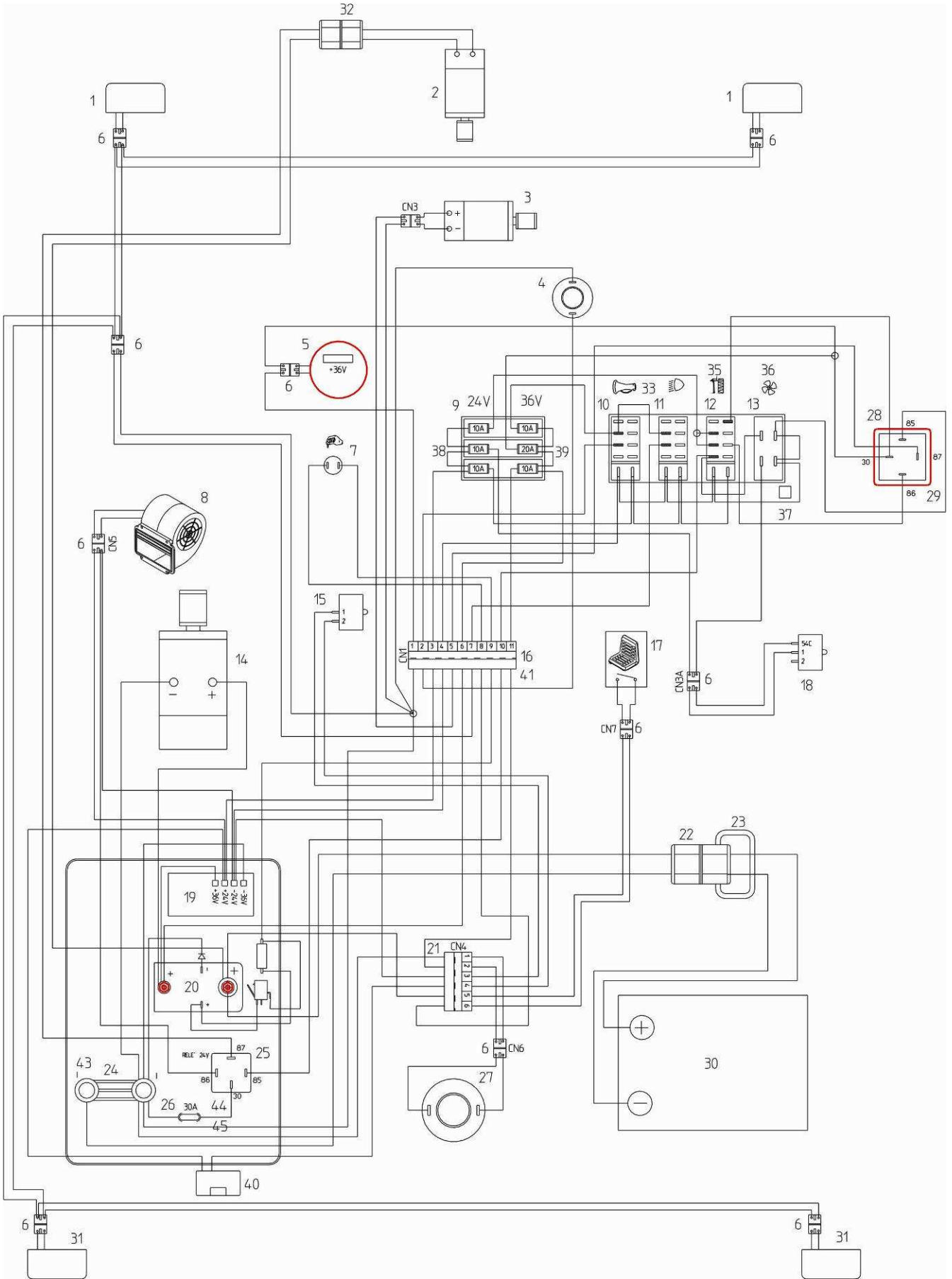
N.	Code Num	Qta	Descrizione	Description	Description	Bezeichnung
B8001	MT-MI5087	1	VOLANTE D.320 S.POM.C/M 40.19	STEERING WHEEL	VOLANT	LENKRAD
B8002	MT-MI072	1	TAPPO PER VOLANTE	FLYWHEEL PLUG	BOUCHON	VERSCHLUSS FUER DAS L
B8003	MT-DD5004	1	DADO BASSO M18x1,5	NUT	ECROU	MUTTER
B8004	MT-RO209	1	RONDELLA NORMALE DIAM. 20 UNI 6592/	WASHER	RONDELLE	SCHEIBE
B8005	MT-MC5006	1	COLONNETTA STERZO D.38 L.150 mm	STEERING COLUMN	BARRE DE DIRECTION	LENKRADSAEULE
B8006	MT-VV250	4	VITE SVASATA A BRUGOLA M10x30 UNI59	COUNTERSUNK SCREW	VIS	SENKSCHRAUBE
B8007	MT-RO256	4	RONDELLA SPACCATA DIAM.10 UNI 1751	WASHER	RONDELLE	SCHEIBE
B8008	MT-RO205	4	RONDELLA NORMALE DIAM. 10 UNI 6592/	WASHER	RONDELLE	SCHEIBE
B8009	MT-AI5010	1	IDROGUIDA	POWER STEERING	SERVODIRECTION	HILFSKRAFTLENKUNG
B8010	MT-RO5014	4	RONDELLA GOMMATA 1/2"	RUBBER WASHERS	RONDELLES EN CAOUTCHOU	GUMMISCHEIBEN
B8011	MT-RC5053	2	RACCORDO RIDUZIONE M/M 1/2 3/8	NIPPLE	NIPPLES	NIPPEL
B8012	MT-LM5163	1	LAMIERA COPRITUBI IDROGUIDA	POWER STEERING SHEET	TOLE SERVODIRECTION	SERVOLENKUNGBLECH
B8013	MT-TP5053	1	CHIUSURA LAT. PEDANA UBF 34/NEW	CLOSURE	FERMETURE LAT.MARCHEP	SEITENVERSCHLUSS
B8014	MT-BP5050	1	PEDANA GOMMA PRISMATA 525x248x3	RUBBER FOOTBOARD	MARCHEPIED EN CAOUTCH	TRITTBRETT
B8015	MT-PA5007	1	PEDANA DESTRA	RIGHT FOOTBOARD	MARCHEPIED DROIT	RECHTSTRITTBRETT
B8016	MT-LM5164	1	PEDANA CENTRALE IDROGUIDA	POWER STEERING CENTRAL FOOTBOARD	MARCHEPIED CENTRALE SERVODIRECTION	HAUPTTRITTBRETT DER SERVOLENKUNG
B8017	MT-VV5001	12	VITE TESTA BOMBATA M6x16	CUP-HEADED BOLTNG	VIS BOMBEE M6X16	HALBRUNDSCHRAUBE
B8018	MT-IS001	1	RIVESTIMENTO PEDALE	COVERING PEDAL	REVÊTEMENT PÉDALE	VERKLEIDUNG PEDAL
B8019	MT-LV5023	1	LEVA PEDALE FRENO	LEVER BRAKE	LEVIER FREIN	BREMSHEBEL
B8020	MT-DD254	2	DADO AUTOBLOCCANTE M8	SELF-LOCKING NUT	ECROU DE SURETE	SICHERUNGSMUTTER
B8021	MT-ML080	1	MOLLA	SPRING	RESSORT	FEDER
B8022	MT-MI2501	1	CARRUCOLA D35	PULLEY	POULIE	SEILROLLE
B8023	MT-VE265	1	VITE ESAGONALE M8x40 UNI 5737/77	HEXAGONAL-HEADED BOLT	VIS	SECHSECKIGE SCHRAUBE
B8024	MT-MI5004	4	REGOLATORE FILO FRENO M8	BRAKE WIRE REGULATOR	REG.FIL FREIN	REGLER
B8025	MT-MI5082	1	GUAINA 4X8 L=650	SHEATH	GAINÉ 4X8	MANTEL
B8026	MT-KIT5003	1	ASSEMBLAGGIO PEDALE FRENO	BRAKE PEDAL ASSY	ASSEMBLEE PEDAL FREIN	BREMSEN PEDAL ZUSAMMENBAU
B8027	MT-PE070	1	PERNO FISSAGGIO STAFFA A T	PIN	PIVOT	BOLZEN
B8028	MT-SG001	1	ANELLO SEEGER PER EST. D10 UNI 7435	RING	SEEGER	SEEGERRING
B8029	MT-VB231	3	VITE CIL. BRUGOLA M8x20 ZINCATA	CHEESE BOLT	VIS	ZYLINDERSCHRAUBE
B8030	MT-MI5055	1	FUNE FRENO L=2600 C/PALLINO	BRAKE CABLE	CABLE DU FREIN	SEIL
B8031	MT-MI5083	1	GUAINA 4X8 L=1175	SHEATH	GAINÉ 4X8 L=1175	MANTEL
B8032	MT-RC5018	2	NIPLES M/M 1/2 1/4	NIPPLE	NIPPLES	NIPPEL
B8033	MT-RC5076	1	RACCORDO A COLONNETTA L=45mm F/M 3/8	SHORT PIPE FITTING	RACCORD COLONNETTE CO	ANSCHLUSS
B8034	MT-RC5016	1	NIPLES M/M 1/4 1/4	NIPPLE	NIPPLES	NIPPEL
B8035	MT-RO5012	2	RONDELLA GOMMATA 1/4"	RUBBER WASHERS	RONDELLES EN CAOUTCHOU	GUMMISCHEIBEN
B8036	MT-RC5059	1	RACCORDO COLONNETTA CORTA M/F 1/4	SHORT PIPE FITTING	RACCORD COLONNETTE CO	ANSCHLUSS



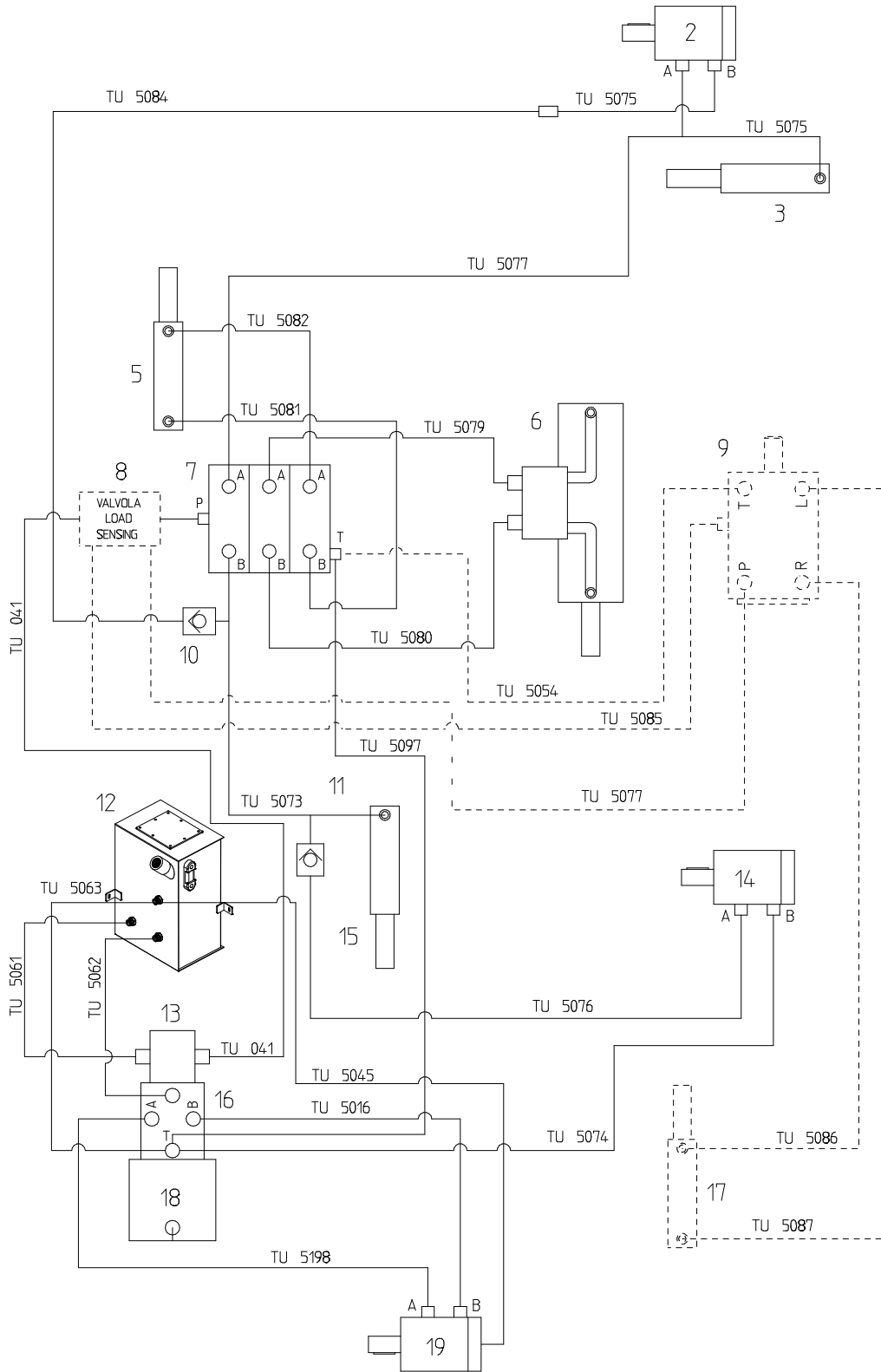
N.	Code Num	Qta	Descrizione	Description	Description	Bezeichnung
090.01.	MT-SB5016	1	CAS.ST.LISCIA IP56 300X220X120	TOOL CASE	TIROIR LISSE	WERKZEUGKASTEN
090.02.	MT-PT5092	1	PIASTRA ALLUM.CABL.IMP.ELETT.UBF34B	ALUMINIUM PLATE	PLAQUE ALL.INST.ELECT	ALUMINIUMPLATTE
090.03.	MT-VB220	4	VITE CIL.BRUGOLA M6x20 UNI 5931/77	CHEESE BOLT	VIS	SCHRAUBE
090.04.	MT-SB002	1	VASCHETTA BATTERIE	BATTERY CUP	CUVE	BATTERIEWANNE
090.05.	MT-VE291	4	VITE ESAGONALE M10X50 UNI 5737/77	HEXAGONAL-HEADED BOLT	VIS	SECHSECKIGE SCHRAUBE
090.06.	MT-RO256	4	RONDELLA SPACCATA DIAM.10 UNI 1751	WASHER	RONDELLE	SCHEIBE
090.07.	MT-RO205	4	RONDELLA NORMALE DIAM. 10 UNI 6592/	WASHER	RONDELLE	SCHEIBE
090.08.	MT-TU5041	1	TUBO 3/8 F90 F90 L=640 CURVA BASSA	PIPE	TUYAU HYDRAULIQUE	ROHR
090.09.	MT-MI033	1	NIPLES M-M G3/8 G3/8	NIPPLE	NIPLES	NIPPEL
090.10.	MT-RC010	2	RONDELLA IN RAME 3/8	COPPER WASHER	RONDELLE EN CUIVRE	KOPFERSCHEIBE
090.11.	MT-PO5011	1	POMPA A INGRANAGGI	GEAR PUMP	POMPE A ENGRANAGES	ZAHNRADPUMPE
090.12.	MT-RO205	2	RONDELLA NORMALE DIAM. 10 UNI 6592/	WASHER	RONDELLE	SCHEIBE
090.13.	MT-RC5053	1	NIPLES M-M G3/8 G1/2	NIPPLE	NIPLES	NIPPEL
090.14.	MT-TU5061	1	TUBO 1/2 F90 - F90 L=380	PIPE	TUYAU 1/2 F90	ROHR
090.15.	MT-TU5074	1	TUBO 3/8 F45 - O L=1175	PIPE	TUYAU 3/8 F45	ROHR
090.16.	MT-RC5075	1	RACCORDO A T M/M/M 1/2	PIPE FITTING	RACCORD A T M/M/M	ANSCHLUSS
090.17.	MT-TU5097	1	TUBO R2AT 3/8 F90 1/2-FD 3/8 L=500	PIPE	TUYAU R2AT 3/8 F90	ROHR
090.18.	MT-RC5022	1	NIPLES A T 3/8 M-M.90 F.GIR.	NIPPLE	ADAPTATEUR	NIPPEL
090.19.	MT-MI033	1	NIPLES M-M G3/8 G3/8	NIPPLE	NIPLES	NIPPEL
090.20.	MT-RC010	1	RONDELLA IN RAME 3/8	COPPER WASHER	RONDELLE EN CUIVRE	KOPFERSCHEIBE
090.21.	MT-RC5077	1	RACCORDO A MANICOTTO F3/8-F1/2	PIPE FITTING	RACCORD A DOUILLE	ANSCHLUSS
090.22.	MT-TU5063	1	TUBO 1/2 F90 - F90 L=400	PIPE	TUYAU 1/2 F90	ROHR
090.23.	MT-TU5057	1	TUBO 1/2 F90 - O 1/2 L=1310	PIPE	TUYAU 1/2 F90	ROHR
090.24.	MT-RC064	1	NIPLES M/M G1/2 G1/2	NIPPLE	NIPLES M/M G1/2	NIPPEL
090.25.	MT-RO5011	2	RONDELLA IN RAME 1/2	COPPER WASHER	RONDELLE EN CUIVRE 1/	KOPFERSCHEIBE
090.26.	MT-PO5010	1	POMPA A PISTONI	PUMP	POMPE A PISTONS	KOLBENPUMPE
090.27.	MT-DD254	1	DADO AUTOBLOCCANTE M8	SELF-LOCKING NUT	ECROU DE SURETE	SICHERUNGSMUTTER
090.28.	MT-TU5056	1	TUBO 1/2 O 1/2 - O 1/2 L=1360	PIPE	TUYAU 1/2 OU 1/2	ROHR
090.29.	MT-RC5014	1	VITE FORATA 1/2	SCREW	VIS	SCHRAUBE
090.30.	MT-VE282	2	VITE ESAGONALE M10x30 UNI 5737/77	HEXAGONAL-HEADED BOLT	VIS	SECHSECKIGE SCHRAUBE
090.31.	MT-RO205	2	RONDELLA NORMALE DIAM. 10 UNI 6592/	WASHER	RONDELLE	SCHEIBE
090.32.	MT-RO5011	1	RONDELLA IN RAME 1/2	COPPER WASHER	RONDELLE EN CUIVRE 1/	KOPFERSCHEIBE
090.33.	MT-RC064	1	NIPLES M/M G1/2 G1/2	NIPPLE	NIPLES M/M G1/2	NIPPEL
090.34.	MT-TU5062	1	TUBO 1/2 F90 - F90 90 L=470	PIPE	TUYAU 1/2 F90 L=470	ROHR
090.35.	MT-MO5039	1	MOTORE ELETTRICO	ELECTRIC ENGINE	MOTEUR ELECTRIQUE	ELEKTROMOTOR
090.36.	MT-VE260	2	VITE ESAGONALE M8x16 UNI 5737/77	HEXAGONAL-HEADED BOLT	VIS	SECHSECKIGE SCHRAUBE
090.37.	MT-RO255	2	RONDELLA SPACCATA DIAM. 8 UNI 1751	WASHER	RONDELLE	SCHEIBE
090.38.	MT-RO204	2	RONDELLA PIANA M8	WASHER	RONDELLE	SCHEIBE
090.39.	MT-LM5122	2	LISTELLO BLOCCAGGIO BATTERIE	BLADE	LATTE BLOCAGE BATTERI	LEISTE
090.40.	MT-RO204	2	RONDELLA PIANA M8	WASHER	RONDELLE	SCHEIBE
090.41.	MT-DD204	4	DADO M6 UNI 5588/65	NUT	ECROU	MUTTER
090.42.	MT-VV242	2	VITE SVASATA A BRUGOLA M8x20 UNI593	CUP-HEADED BOLT	VIS	SENKSCHEIBE
090.43.	MT-SU5130	1	SUPPORTO BATTERIA	BATTERY SUPPORT	SUPPORT BATTERIE	BATTERIESTUETZE
090.44.	MT-VE260	1	VITE ESAGONALE M8x16 UNI 5737/77	HEXAGONAL-HEADED BOLT	VIS	SECHSECKIGE SCHRAUBE
090.45.	MT-RO256	1	RONDELLA SPACCATA DIAM.10 UNI 1751	WASHER	RONDELLE	SCHEIBE
090.46.	MT-RO302	1	RONDELLA SLARG.DIAM. 8x24 UNI 6592/	WASHER	RONDELLE	SCHEIBE
090.47.	MT-DD5016	1	DADO BASSO M10	NUT	ECROU BAS M10	NIEDRIGMUTTER
090.48.	MT-LV5129	3	LEVA DISTRIBUTORE	LEVER	LEVIER	HEBEL
090.49.	MT-DD206	3	DADO M10 UNI 5588/65	NUT	ECROU	MUTTER
090.50.	MT-DB5010	1	DISTRIBUTORE CON 3 LEVE	DISTRIBUTOR	DISTRIBUTEUR A 3 LEVI	VERTEILER
090.51.	MT-RC010	1	RONDELLA IN RAME 3/8	COPPER WASHER	RONDELLE EN CUIVRE	KOPFERSCHEIBE
090.52.	MT-PY5144	3	PIPETTA PER MOTORINO AVVIAMENTO	PIPETTE	PIPETTE	PIPETTE
090.53.	MT-AI5007	1	VALVOLA VLS L40/4	VALVE	VALVE VLS L40/4	VENTIL
090.54.	MT-RC010	4	RONDELLA IN RAME 3/8	COPPER WASHER	RONDELLE EN CUIVRE	KOPFERSCHEIBE
090.58.	MT-RC5009	1	MINIPRESA 61/4-BSP	SOCKET	PRISE 61/4-BSP	STECKKONTAKT 61/4-BSP
090.59.	MT-RC5020	1	PROLUNGA F+F RID.PFFR 3/8-1/4	EXTENSION	ALLONGEMENT	VERLAENGERUNG
090.60.	MT-RC5086	1	RACCORDO A T CON OGIVA GIREVOLE 3/8	PIPE FITTING	RACCORD A T AVEC OGIV	T-ANSCHLUSS
090.61.	MT-TU5041	1	TUBO SCARICO R1 1/2 F90(BASSA)+FD L	PIPE	TUYAU D'ECHAPPEMENT	ROHR
090.62.	MT-TU5082	1	TUBO 1/4 F90 - F90 L=1750	PIPE 1/4 F90	TUYAU 1/4 F90	ROHR
090.63.	MT-TU5079	1	TUBO 1/4 F90 F90 180^ L=450	PIPE	TUYAU 1/4 180^	ROHR
090.64.	MT-TU5077	1	TUBO 3/8 FD F90 L=1800	PIPE	TUYAU	ROHR
090.65.	MT-RC010	10	RONDELLA IN RAME 3/8	COPPER WASHER	RONDELLE EN CUIVRE	KOPFERSCHEIBE
090.66.	MT-MI033	5	NIPLES M-M G3/8 G3/8	NIPPLE	NIPLES	NIPPEL
090.67.	MT-RC5061	2	RACCORDO COLONNETTA CORTA M1/4 F3/8	PIPE FITTING	RACCORD COLONNETTE CO	ANSCHLUSS
090.68.	MT-TU5081	1	TUBO 1/4 F90 - F90 L=1850	PIPE	TUYAU 1/4 F90	ROHR
090.69.	MT-TU5080	1	TUBO 1/4 F90 F90 260^ L=280	PIPE	TUYAU 1/4 F90	ROHR
090.70.	MT-RC5022	1	NIPLES A T 3/8 M-M.90 F.GIR.	NIPPLE	ADAPTATEUR	NIPPEL
090.72.	MT-TO5002	1	VALVOLA VU 3/8 UNIDIREZ.	VALVE	SOUPAPE	VENTIL VU 3/8
090.74.	MT-TU5084	1	TUBO 3/8 F90-F90 L=1890	PIPE F90-F90	TUYAU 3/8 F90	ROHR

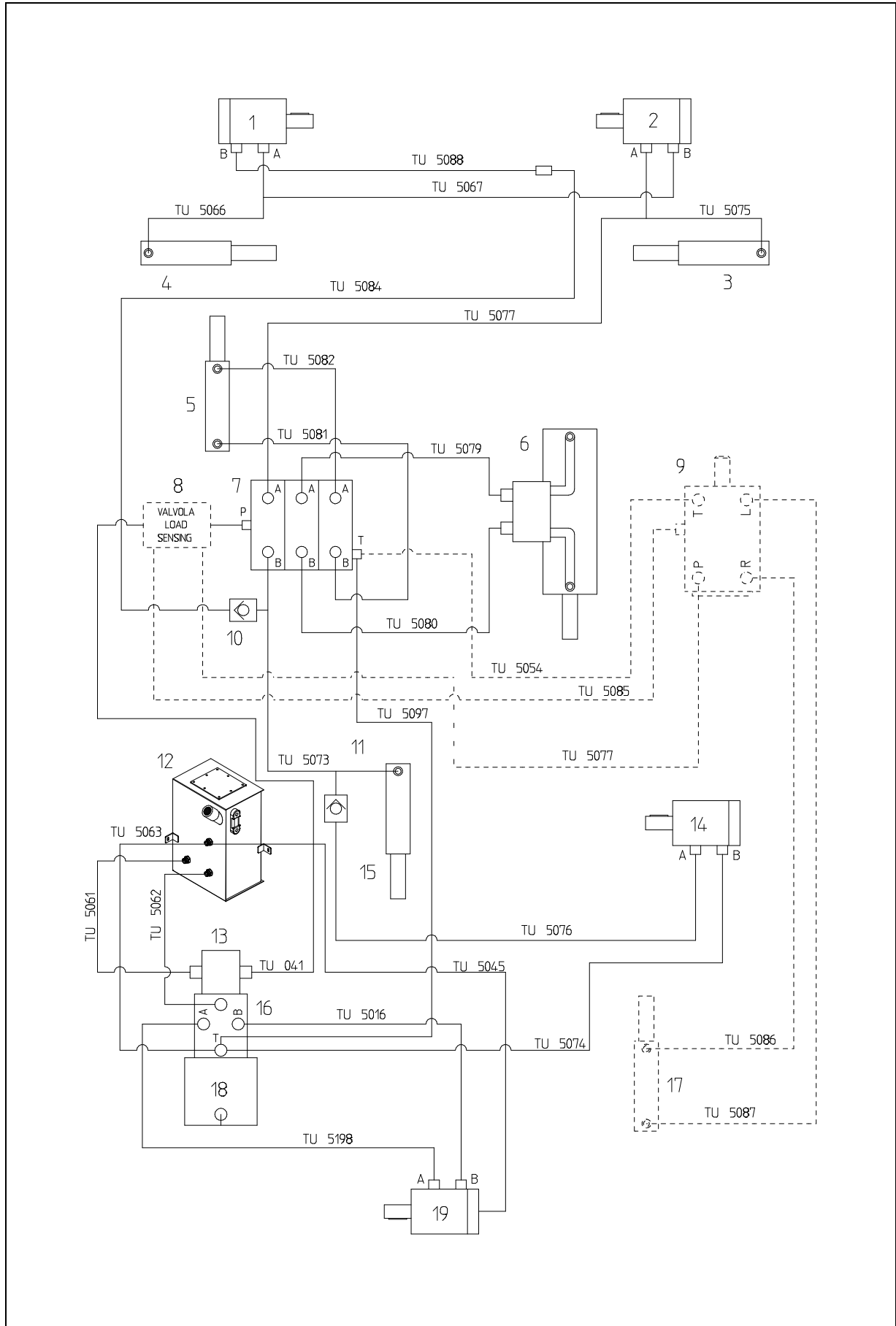


N.	Code Num	Qta	Descrizione	Description	Description	Bezeichnung
090.75.	MT-TU5073	1	TUBO 3/8 F90 - FD 3/8 L=500	PIPE	TUYAU 3/8 F90	ROHR
090.76.	MT-VV5004	1	VITE TESTA BOMBATA M6x20	CUP-HEADED BOLT	VIS BOMBEE	HALBRUNDSCHRAUBE
090.77.	MT-PY7007	2	PRESSACAVO SKINTOP PG16 BIANCO	FRAME FAIRLEAD	PASSE-CABLE	KABELDURCHGANG
090.78.	MT-VE243	8	VITE ESAGONALE M6x16 UNI 5737/77	HEXAGONAL-HEADED BOLT	VIS	SECHSECKIGE SCHRAUBE
090.79.	MT-RO254	8	RONDELLA SPACCATA DIAM. 6 UNI 1751	WASHER	RONDELLE	SCHIEBE
090.80.	MT-RO203	8	RONDELLA NORMALE DIAM. 6 UNI 6592/6	WASHER D6	RONDELLE	SCHIEBE
090.81.	MT-VV5001	2	VITE TESTA BOMBATA M6x16	CUP-HEADED BOLTNG	VIS BOMBEE M6X16	HALBRUNDSCHRAUBE
090.82.	MT-VE5011	2	VITE ESAGONALE M10x45 TUTTA FILETTA	HEXAGONAL-HEADED BOLT	VIS M10X45	SECHSECKIGE SCHRAUBE
090.83.	MT-CO5024	1	COPERCHIO SERBATOIO OLIO	OIL TANK CAP	COUVERCLE SERBATOIR H	OELTANKSDECKEL
090.84.	MT-GR5015	1	GUARNIZIONE COPERCHIO SERBATOIO	STRIP	GARNITURE COUV.SERBAT	DICHTUNG
090.85.	MT-TA5015	1	TAPPO CARICO OLIO	OIL CAP	BOUCHON CHARGE-HUILE	DECKEL
090.86.	MT-SB5013	1	SERBATOIO OLIO IDRAULICO	HYDRAULIC OIL TANK	SERBATOIR HUILE HYDR.	HYDRAULIKOELSTANK
090.87.	MT-RO301	2	RONDELLA SLARGATA.6x18 UNI 6592/69	WASHER	RONDELLE	SCHIEBE
090.88.	MT-DD253	2	DADO AUTOBLOCCANTE M6	SELF-LOCKING NUT	ECROU DE SURETE	SICHERUNGSMUTTER
090.89.	MT-MI165	1	INDICATORE VISIVO LIVELLO OLIO	OIL LEVEL INDICATOR	INDICATEUR NIVEAU HUI	OELANZEIGER
090.90.	MT-VV5004	2	VITE TESTA BOMBATA M6x20	CUP-HEADED BOLT	VIS BOMBEE	HALBRUNDSCHRAUBE
090.91.	MT-PT5076	1	PIASTRINA DISTANZIALE SPINA	PLATE	PLAQUE	PLATTEN
090.92.	MT-VE260	1	VITE ESAGONALE M8x16 UNI 5737/77	HEXAGONAL-HEADED BOLT	VIS	SECHSECKIGE SCHRAUBE
090.93.	MT-RO255	1	RONDELLA SPACCATA DIAM. 8 UNI 1751	WASHER	RONDELLE	SCHIEBE
090.94.	MT-RO204	1	RONDELLA PIANA M8	WASHER	RONDELLE	SCHIEBE
090.95.	MT-PT5077	1	PIASTRINA ATTACCO INTERRUPTORE STOP	PLATE	PLAQUETTE INTERR.DE B	PLAETTCHEN
090.96.	MT-VS5001	2	VITE SVASATA M8x20	COUNTERSUNK BOLT	VIS EVASEE	SENKSCHEIBE
090.97.	MT-LV5079	1	LEVA PEDALE AVANZAMENTO	LEVER	LEVIER PEDALE DEPL.	HEBEL
090.98.	MT-VE271	1	VITE ESAGONALE M10x75 UNI 5737/77	HEXAGONAL-HEADED BOLT	VIS M10X75	SECHSECKIGE SCHRAUBE
090.99.	MT-RO205	1	RONDELLA NORMALE DIAM. 10 UNI 6592/	WASHER	RONDELLE	SCHIEBE
091.00.	MT-DD255	2	DADO AUTOBLOCCANTE M10	SELF-LOCKING NUT	ECROU DE SURETE	SICHERUNGSMUTTER
091.01.	MT-MI5066	4	SNODO ANGOLARE M10	ANGLE JOINT	JOINT ANGULAIRE	WINKELGELENK
091.02.	MT-DD205	2	DADO M8 UNI 5588/65	NUT	ECROU	MUTTER
091.03.	MT-MV5044	1	TRAFILA M10 L=160	DRAW	FILIERE	ZIEHEISEN
091.04.	MT-SU5155	1	SUPPORTO MOT. RAFFREDD. UBF 34/NEW	COOL ENGINE SUPPORT	SUPP.MOTEUR REFROIDIS	MOTORSTUETZE
091.05.	MT-RO301	2	RONDELLA SLARGATA.6x18 UNI 6592/69	WASHER	RONDELLE	SCHIEBE
091.06.	MT-DD204	2	DADO M6 UNI 5588/65	NUT	ECROU	MUTTER
091.07.	MT-VA251	2	VITE AUTOFILET. TC 3.9x13 UNI 6954/	SCREW	VIS TC 3.9X13	BLECHSCHRAUBE
091.08.	MT-FU5004	1	VENTILATORE CENTRIFUGO 002-B37/C-42	CENTRIFUGAL FAN	VENTILATEUR CENTRIFUG	FLIEHKRAFTVENTILATOR
091.10.	MT-CS052	2	CUSCINETTO C/SUPPORTO P47+YAR 204 F	BEARING WITH SUPPORT	COUSSINET AVEC SUPPOR	LAGER MIT STUETZE
091.12.	MT-RO204	2	RONDELLA PIANA M8	WASHER	RONDELLE	SCHIEBE
091.13.	MT-DD254	2	DADO AUTOBLOCCANTE M8	SELF-LOCKING NUT	ECROU DE SURETE	SICHERUNGSMUTTER
091.15.	MT-DD206	2	DADO M10 UNI 5588/65	NUT	ECROU	MUTTER
091.16.	MT-MV5052	1	TRAFILA M10 L=190	DRAW	FILIERE	ZIEHEISEN
091.17.	MT-DD204	1	DADO M6 UNI 5588/65	NUT	ECROU	MUTTER
091.18.	MT-VE5010	1	VITE ESAGONALE M6x50 TUTTA FILETTAT	HEXAGONAL-HEADED BOLT	VIS	SECHSECKIGE SCHRAUBE
091.19.	MT-AL5041	1	ALBERO COMANDO POMPA A PORTATA VARI	SHAFT	TIRANT DE COMMANDE PO	WELLE
091.20.	MT-DD206	1	DADO M10 UNI 5588/65	NUT	ECROU	MUTTER
091.21.	MT-RO256	1	RONDELLA SPACCATA DIAM.10 UNI 1751	WASHER	RONDELLE	SCHIEBE
091.22.	MT-BO5043	2	BOCCOLA NYLON	NYLON BUSH	COQUILLE	NYLONBUCHSE
091.23.	MT-FT5021	2	FILTRO ASPIRAZIONE OLIO	OIL SUCTION FILTER	FILTRE HUILE	OELSAUGFILTER
091.24.	MT-SU5131	1	SUPPORTO IMPIANTO ELETTRICO	ELECTRIC INST. SUPP	SUPP.INST.ELECTRIQUE	ELEKTROANLAGESTUETZE
091.25.	MT-RO256	1	RONDELLA SPACCATA DIAM.10 UNI 1751	WASHER	RONDELLE	SCHIEBE
091.26.	MT-CO5053	1	COPERCHIO LAMIERA SERBATOIO GASOLIO	GASOIL TANK COVER	COUVERCLE RESERVOIR GASOIL	VERSCHLUSS DES DIESEOELTANKS
091.27.	MT-MV5074	1	CERNIERA STANLEY 45x30	HINGE 45x30	SCHARNIERE 45x30	SCHARNIER 45x30



N.	Code Num	Qta	Descrizione	Description	Description	Bezeichnung
10001	MT-PY294	2	FANALE ANTERIORE DX/SX UBF34	FRONT LIGHT	FEUX	SCHIEWERFER
10002	MT-MO5038	1	MOTORE VENTOLA ASPIRAZIONE 36V	SUCTION FAN ENGINE 36	MOTEUR DU ROTOR	SAUGGEBLAESMOTOR
10003	MT-MO5036	1	MOTORE SCUOTIFILTRO 36V	SHAKING FILTER ENGINE	MOTEUR SECOUEFILTRE	SCHUETTELFILTERSMOTOR
10004	MT-MI068	1	AVVISATORE ACUSTICO 36V	HORN	CLACKSON	HUPE
10005	MT-PY5168	1	CONTAORE HCBL 36V	HOUR COUNTER	COMPTE-HEURES	STUNDENZAehler
10006	MT-PY5122	3	CONNETTORE	CONNECTOR	CONNECTEUR	STECKVERBINDER
10007	MT-PY5141	1	INTERRUTTORE A CHIAVE INTERCAMBIABI	KEY SWITCH	INTERRUPTEUR A CLEF	SCHLUESSELSCHALTER
10008	MT-FU5004	1	VENTILATORE CENTRIFUGO 002-B37/C-42	CENTRIFUGAL FAN	VENTILATEUR CENTRIFUG	FLIEHKRAFTVENTILATOR
10009	MT-PY5143	1	SCATOLA PORTAFUS. 6 VIE	FUSE BOX	BOITE PORTE-FUSIBLES	SICHERUNGSHALTER
10010	MT-IN5085	1	INTERRUTTORE A PULSANTE	PUSH SWITCH	INTERR.A BOUTON	DRUCKKNOPFSCHALTER
10011	MT-IN5092	1	INTERRUTTORE CIAM 511.111	SWITCH	INTERR.CIAM 511.111	SCHALTER
10012	MT-IN5090	1	INTERRUTTORE CIAM 511.120	SWITCH	INTERR.CIAM 511.120	SCHALTER
10013	MT-PY5129	1	SPIA DI CONTROLLO	PILOT LIGHT	TEMOIN DE COMMANDE	PRUEFUNGSANZEIGER
10014	MT-MO5039	1	MOTORE ELETTRICO	ELECTRIC ENGINE	MOTEUR ELECTRIQUE	ELEKTROMOTOR
10015	MT-IN5094	1	INTERRUTTORE C/TIRO MOLLA	SPRING SWITCH	INTERR. TIRAGE RESSOR	FEDERSCHALTER
10016	MT-PY486	1	CONNETTORE 11 POLI MASCHIO	CONNECTOR	CONNECTEUR	STECKVERBINDER
10017	MT-MI015	1	SEDILE COMPLETO DI GUIDE	SEAT	SIEGE	SITZ
10018	MT-IN5005	1	MICRO	MICRO	MICRO	MIKROSCHALTER
10019	MT-PY5022	1	SCHEDA ELETTRON ELETTRISISTEM SMPS-	ELECTRONIC CARD	CARTE ELECTRONIQUE	PLATINE
10020	MT-PY5179	1	TELERUTTORE MAC 1D 36V	REMOTE CONTROL SWITCH	TELERUPTEUR MAC 1D 36	FERNSCHALTER
10021	MT-PY267	1	CONNETTORE FEMMINA 6 P	CONNECTOR	CONNECTEUR FEMELLE	STECKERHUELSE
10022	MT-PY535	2	SPINA CARICABATTERIA SBE 160 A	BATTERY CHARGER PLUG	GOUPILLE CHARGE-BATTE	STECKER
10023	MT-PY5173	1	MANIGLIA ROSSA	HANDLE	POIGNEE POUR GOUPILLE	HANDGRIFF
10024	MT-PY289	2	FUSIBILE LAMELLARE 75A	FUSE	FUSIBLE	FLACHSICHERUNGSEINSATZ
10025	MT-PY5177	1	RELE DI POTENZA 40A	RELAY	RELAIS DE PUISSANCE	LEISTUNGSRELAIS
10026	MT-PY5116	1	FUSIBILE 30A	30A FUSE	FUSIBLE 30A	RELAIS
10027	MT-PY7005	1	LAMPEGGIANTE MULTIVOLTAGGIO	BLINKER	GYROPHARE	BLINKLEUCHTE
10028	MT-SU262	1	SUPPORTO RELE' 6,3	SUPPORT	SUPPORT	STUETZE
10029	MT-SL006	1	RELAIS A 5 CONTATTI 24V 20A	RELAY	RELAIS	RELAIS
10030	MT-BT5001	1	BATTERIA 36V 400A A CASSONE	36V 400A BATTERY	BATTERIE 36V	BATTERIE
10031	MT-PY5139	2	FANALE POST. UBF34	TAILLIGHT	FANAL POST. UBF34	HECKLEUCHTE
10032	MT-PY032	2	SPINA CARICA BATTERIE 50A	BATTERY CHARGE PLUG	CONNECTEUR	STECKER
10033	MT-PY5167	1	VETRINO CLACSON	HORN GLASS	VERRE CLACSON	HUPESCHEIBCHEN
10035	MT-PY5012	1	VETRINO SCUOTI-FILTRO	FILTER SHAKER GLASS	LAMPE SECOUER FILTRES	SCHUETTELFILTERSCHEIB
10036	MT-PY5120	1	VETRINO VENTILAZIONE	FAN GLASS	VERRE D'AERAGE	GEBLAESSESCHIEBCHEN
10037	MT-PY5085	1	VETRINO NEUTRO VERDE	GREEN GLASS	VERRE VERT	GRUENSCHIEBCHEN
10038	MT-PY5115	5	FUSIBILE 10A	10A FUSE	FUSIBLE 10A	SICHERUNG 10A
10039	MT-PY5152	1	FUSIBILE 20 A	20A FUSE	FUSIBLE 20A	SICHERUNG 20A
10040	MT-PY5180	1	CICALINO RETROMARCIA UBF34 NEW	BUZZER	SONNETTE RENVERSEMENT	RUECKWAERTSGANGSIGNAL
10041	MT-PY484	1	CONNETTORE 11 POLI FASTOM FEMMINA	CONNECTOR	CONNECTEUR	STECKERHUELSE
10042	MT-PY268	1	CONNETTORE MASCHIO 6 P	CONNECTOR	CONNECTEUR MALE	KONTAKTSTIFT
10043	MT-PY5028	2	SUPPORTO PER FUSIBILE M8X20	FUSE SUPPORT	SUPPORT FUSIBLE	SOCKEL
10044	MT-PY2506	1	PORTAFUSE X FUSE A LAMA	FUSE HOLDER	PORTE-FUSIBLE	SICHERUNGSTRAEGER
10045	MT-PY2507	1	PIASTRINA X PORTAF. A LAMA	PLAQUE	PLAQUE	PLATTCHEN







N.	Code Num	Qta	Descrizione	Description	Description	Bezeichnung
11001	MT-MO5078	1	MOTORE SPAZZOLA LATERALE	HYDRAULIC ENGINE	MOTEUR HYDR. BROSSE	HYDROMOTOR
11002	MT-MO5078	1	MOTORE SPAZZOLA LATERALE	HYDRAULIC ENGINE	MOTEUR HYDR. BROSSE	HYDROMOTOR
11003	MT-MA5021	1	MARTINETTO SPAZZ. LATERALE UBF34	SIDE BRUSH JACK	CRIC BROSSE LAT.	HEBEBOCK
11004	MT-MA5021	1	MARTINETTO SPAZZ. LATERALE UBF34	SIDE BRUSH JACK	CRIC BROSSE LAT.	HEBEBOCK
11005	MT-MA5019	1	MARTINETTO IDRAULICO FLAP UBF34	HYDRAULIC JACK	CRIC HYDRAULIQUE	HEBEBOCK
11006	MT-MA5017	1	CILINDRO SOLLEVAMENTO CASSONE UBF34	BODY JACK	CYLINDRE DE LEVAGE DU	HUBHEBEBOCK
11007	MT-DB5010	1	DISTRIBUTORE CON 3 LEVE	DISTRIBUTOR	DISTRIBUTEUR A 3 LEVI	VERTEILER
11008	MT-AI5007	1	VALVOLA VLS L40/4	VALVE	VALVE VLS L40/4	VENTIL
11009	MT-AI5010	1	IDROGUIDA	HYDRAULIC POWER STEER	HYDROGUIDE	HYDROLENKUNG
11010	MT-TO5002	1	VALVOLA VU 3/8 UNIDIREZ.	VALVE	SOUPAPE	VENTIL VU 3/8
11011	MT-TO5002	1	VALVOLA VU 3/8 UNIDIREZ.	VALVE	SOUPAPE	VENTIL VU 3/8
11012	MT-SB5013	1	SERBATOIO OLIO IDRAULICO	HYDRAULIC OIL TANK	SERBATOIR HUILE HYDR.	HYDRAULIKOELSTANK
11013	MT-PO5011	1	POMPA A INGRANAGGI	GEAR PUMP	POMPE A ENGRANAGES	ZAHNRADPUMPE
11014	MT-MO5077	1	MOTORE SPAZZOLA CENTRALE	HYDRAULIC MOTOR	MOTEUR HYDR. BROSSE	HYDROMOTOR
11015	MT-MA5020	1	MARTINETTO SPAZZ. CENTRALE UBF34 *F	CENTRAL BRUSH JACK	CRIC BROSSE CENT.	HEBEBOCK
11016	MT-PO5010	1	POMPA A PISTONI	PUMP	POMPE A PISTONS	KOLBENPUMPE
11017	MT-MA5010	1	MARTINETTO STERZO	STERRING JACK	CRIC BARRE DI DIRECTI	HEBEBOCK
11018	MT-MO5039	1	MOTORE ELETTRICO	ELECTRIC ENGINE	MOTEUR ELECTRIQUE	ELEKTROMOTOR
11019	MT-MO5079	1	MOTORE IDRAULICO TRAZIONE	HYDRAULIC ENGINE	MOTEUR HYDR. BROSSE	HYDROMOTOR



Mat. n.
Serial no.
Nr. de serie

Data di spedizione
Date of shipment
Date de spedition

Distributed by:

ING. O. FIORENTINI S.p.A.
“THE BEST IN FLOOR MACHINES”

FILIALI:

20132 MILANO – Fax. 02/2592779

Via Palmanova 211/a – Tel. 02/27207783 - 2564810

00012 Guidonia Montecelio (ROMA) – Fax. (0774)353419 - 353314

Via Ponte Corvo 20 – Tel. (0774)357184 - 353015

STABILIMENTO:

50030 PIANCALDOLI (FI) – Fax. 055/817144

Loc. Rombola – Tel. 055/8173610