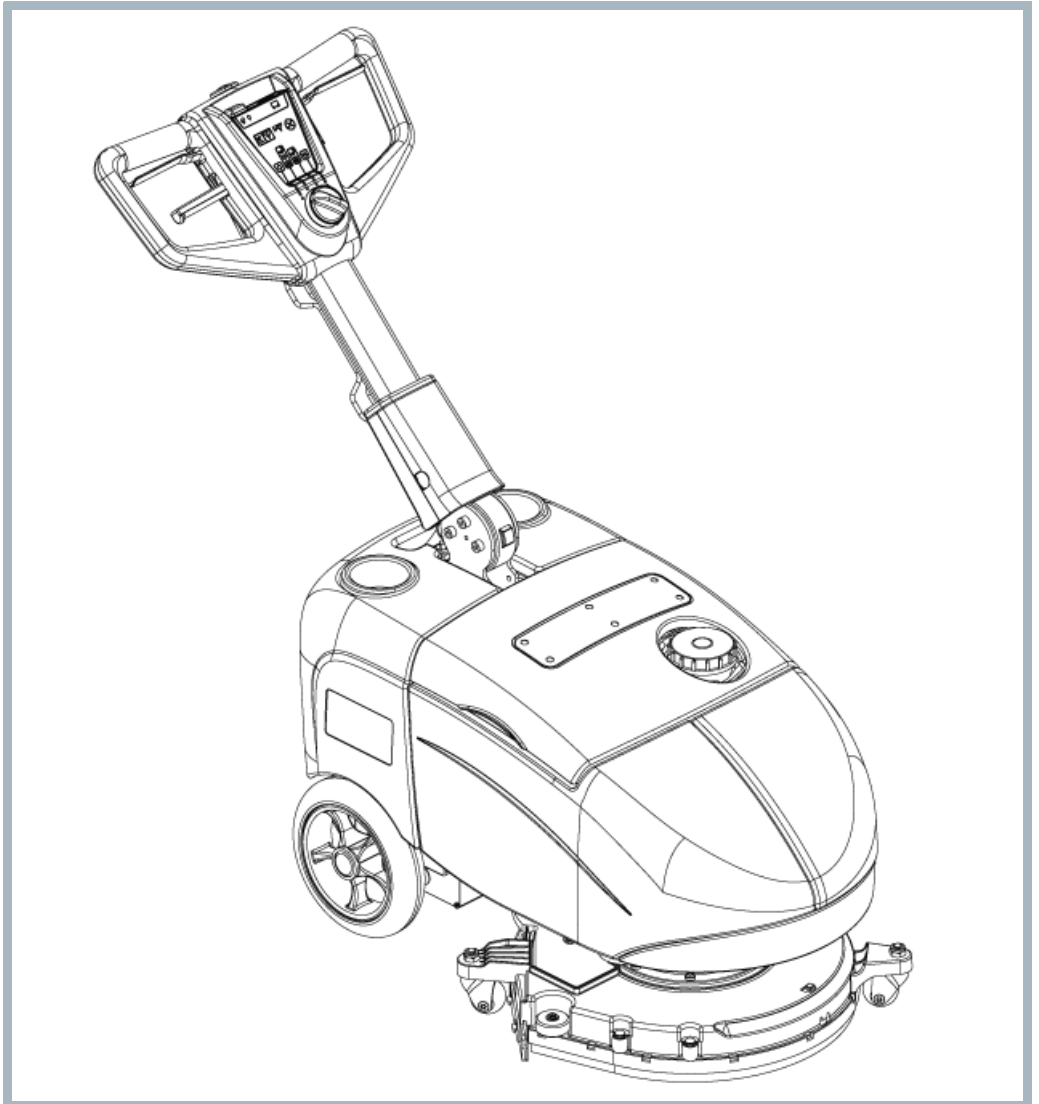


SCRUBBER SC350

Model:
SC350



Part List US-English

31-05-2011

Table of Contents

SCRUBBER SC350

GENERAL VIEW	3
COVER AND TANKS	5
FRAME	7
HANDLE SUPPORT	9
HANDLE BAR	11
BRUSH DECK 1	13
BRUSH DECK 2	15
RECOMMENDED SPARE PARTS	17

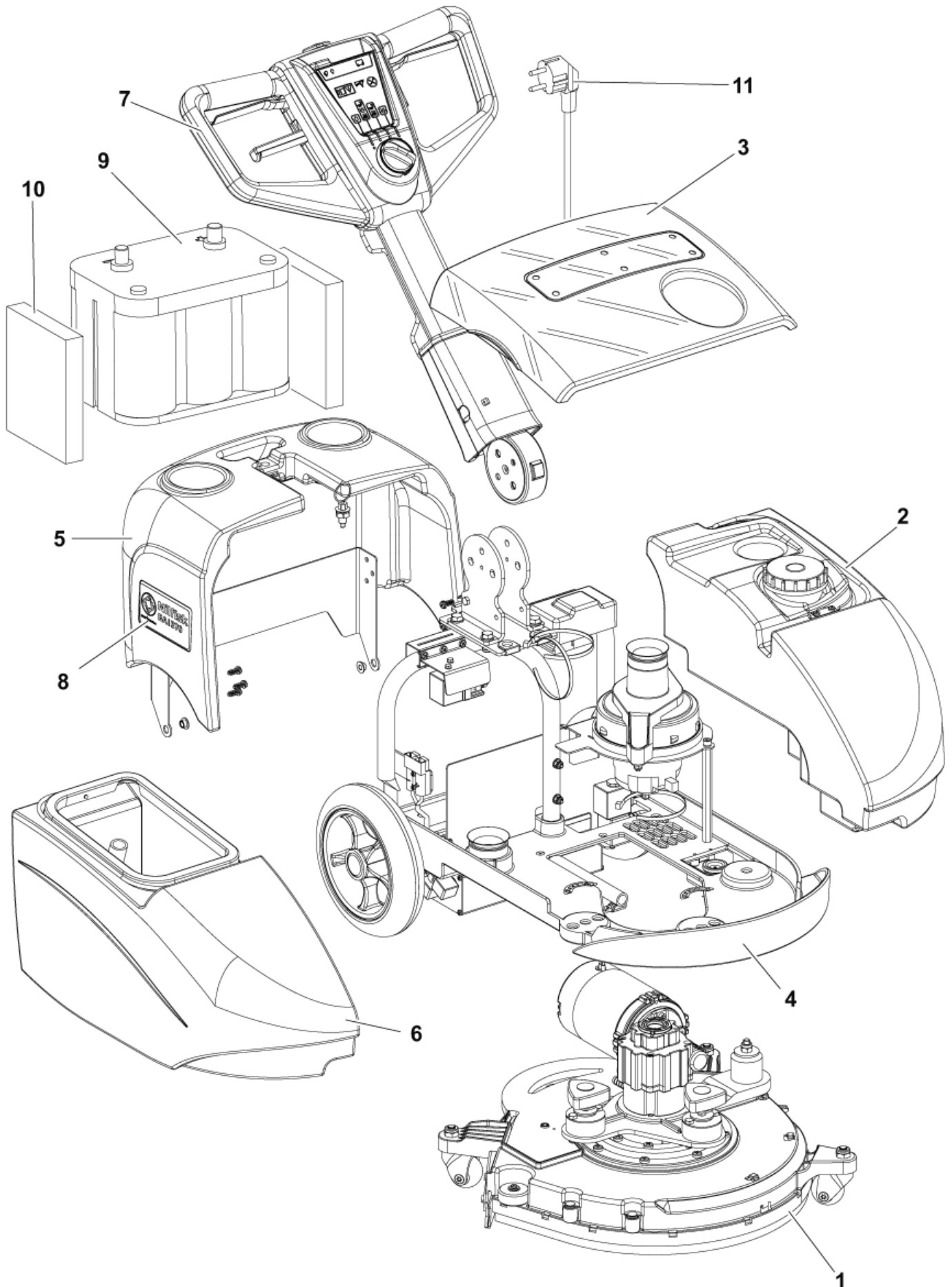
GENERAL VIEW

SCRUBBER SC350

31-05-2011

Part List ID
SC350010

3



GENERAL VIEW

SCRUBBER SC350

31-05-2011

Part List ID

SC350010

4

Pos	Part no.	Qty	Description	EAN
1		1	USE LINK DECK	
2		1	USE LINK SOLUTION TANK	
3		1	USE LINK COVER TANK	
4		1	USE LINK FRAME	
5		1	USE LINK BATTERY COVER	
6		1	USE LINK RECOVERY TANK	
7		1	USE LINK HANDLE	
8	9099000000	1	DECALS KIT BA 370	7319519681
9	9098977000	1	BATTERY 12V 55AH	7319519683
10	9098934000	2	PANEL BATTERY 30X170X110MM	7319519683
11	909 5633 000	1	CABLE EXTENSION	5711140123
11	909 5676 000	1	CABLE EXTENSION UK PLUG	5711140123

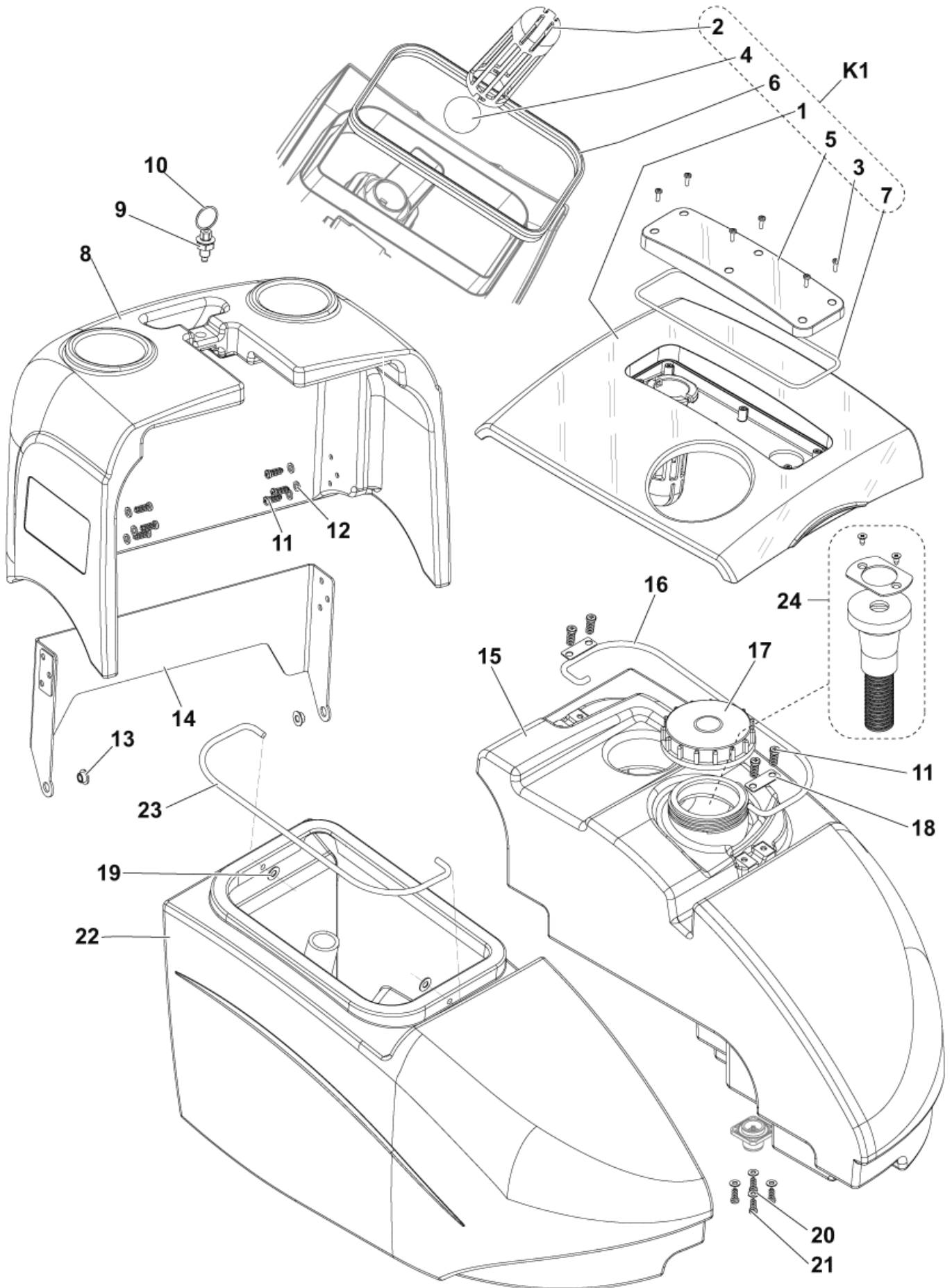
COVER AND TANKS

SCRUBBER SC350

31-05-2011

Part List ID
SC350030

5



COVER AND TANKS

SCRUBBER SC350

31-05-2011

Part List ID
SC350030

6

Pos	Part no.	Qty	Description	EAN
6	9099127000	1	GASKET TANK COVER KIT	7319519684
8	9098318000	1	BATTERY COVER	7319519683
9	145 1147 000	1	WASHER 10.2X18.8X0.35 10.2x18.8X0.35	5711140003
10	146 2449 000	1	PLUNGER INDEXING	5711140044
14	9098309000	1	SUPPORT BATTERY COVER	7319519683
15	9098149000	1	TANK SOLUTION RAL 7001	7319519683
16	9098776000	1	HANDLE SOLUTION TANK	7319519683
17	9098705000	1	CAP THREADED	7319519683
18	9098621000	2	PLATE HANDLE TANK	7319519683
19	9098473000	2	COVER PIN	7319519683
22	9098148000	1	TANK RECOVERY RAL7001	7319519683
23	9098391000	1	HANDLE RECOVERY TANK	7319519683
26	9099011000	1	HOSE FILLING KIT	OPTIONAL 7319519681
K1	9098989000	1	COVER KIT	ITEM 1-2-3-4-5-6-7 7319519681
K2	9098990000	1	HARDWARE COVER AND TANKS	ITEM 3-11-12-13-20-21 7319519681

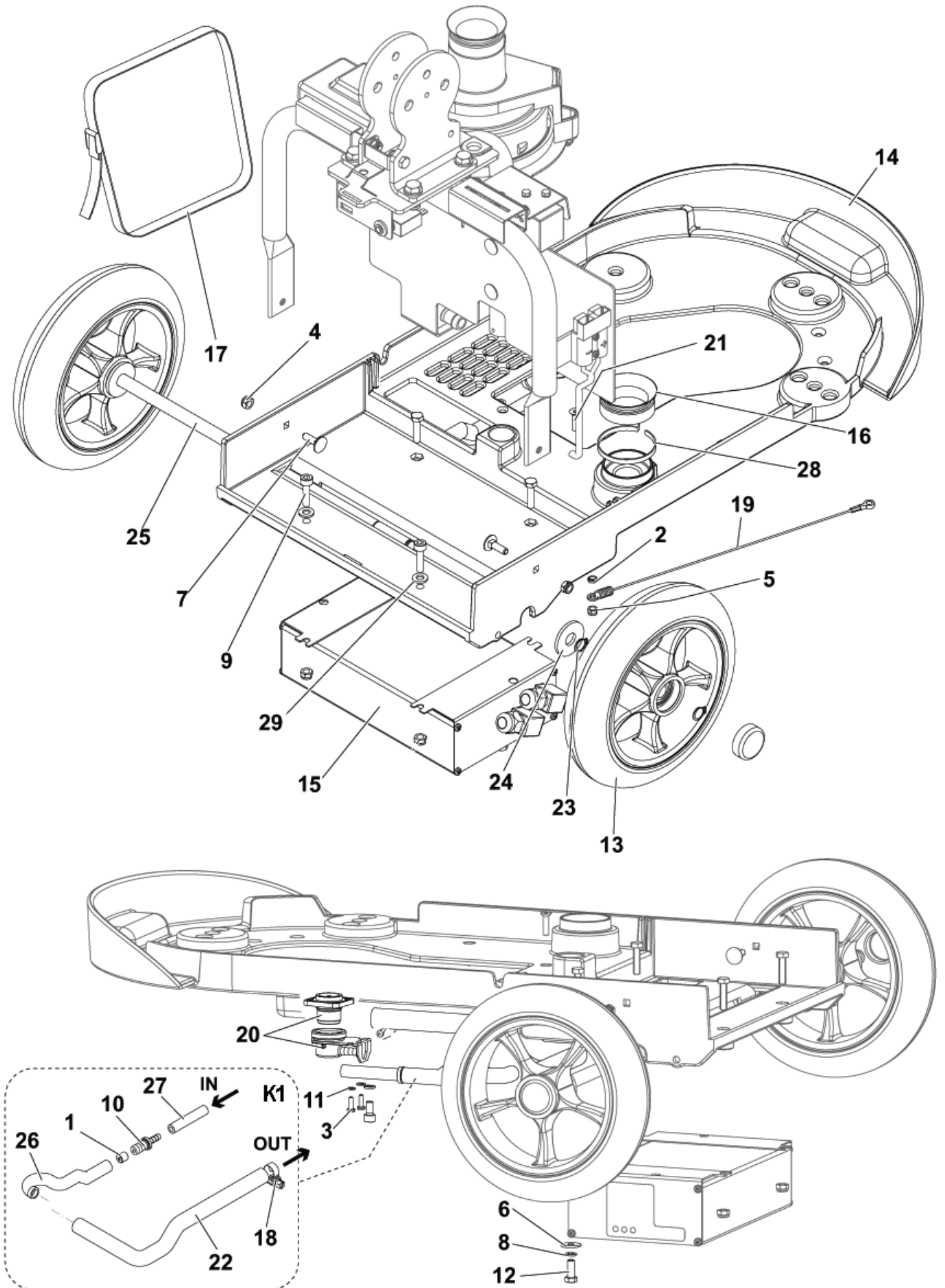
FRAME

SCRUBBER SC350

31-05-2011

Part List ID
SC350050

7



FRAME

SCRUBBER SC350

31-05-2011

Part List ID
SC350050

8

Pos	Part no.	Qty	Description	EAN
13	9098237000	2	WHEEL D.200MM	7319519683
14	9098144000	1	CHASSIS	7319519683
15	9098188000	1	CHARGER BATTERY 12V 12A	7319519683
16	9098319000	1	GASKET	7319519683
17	146 3054 000	1	BELT BATTERY FIXING	5711140047
19	9099042000	1	CABLE DECK	7319519684
20	9098697000	1	VALVE WATER COMPLETE	7319519684
25	9098310000	1	PIN WHEEL	7319519683
28	33003513	1	CLAMP 290X4.8	5711140058
K1	9098992000	1	PIPES KIT	ITEM 1-10-18-22-26-27 7319519681
K2	9098993000	1	HARDWARE FRAME KIT	ITEM 2-3-4-5-6-7-8-9-11-12-21-23-24-28 7319519681

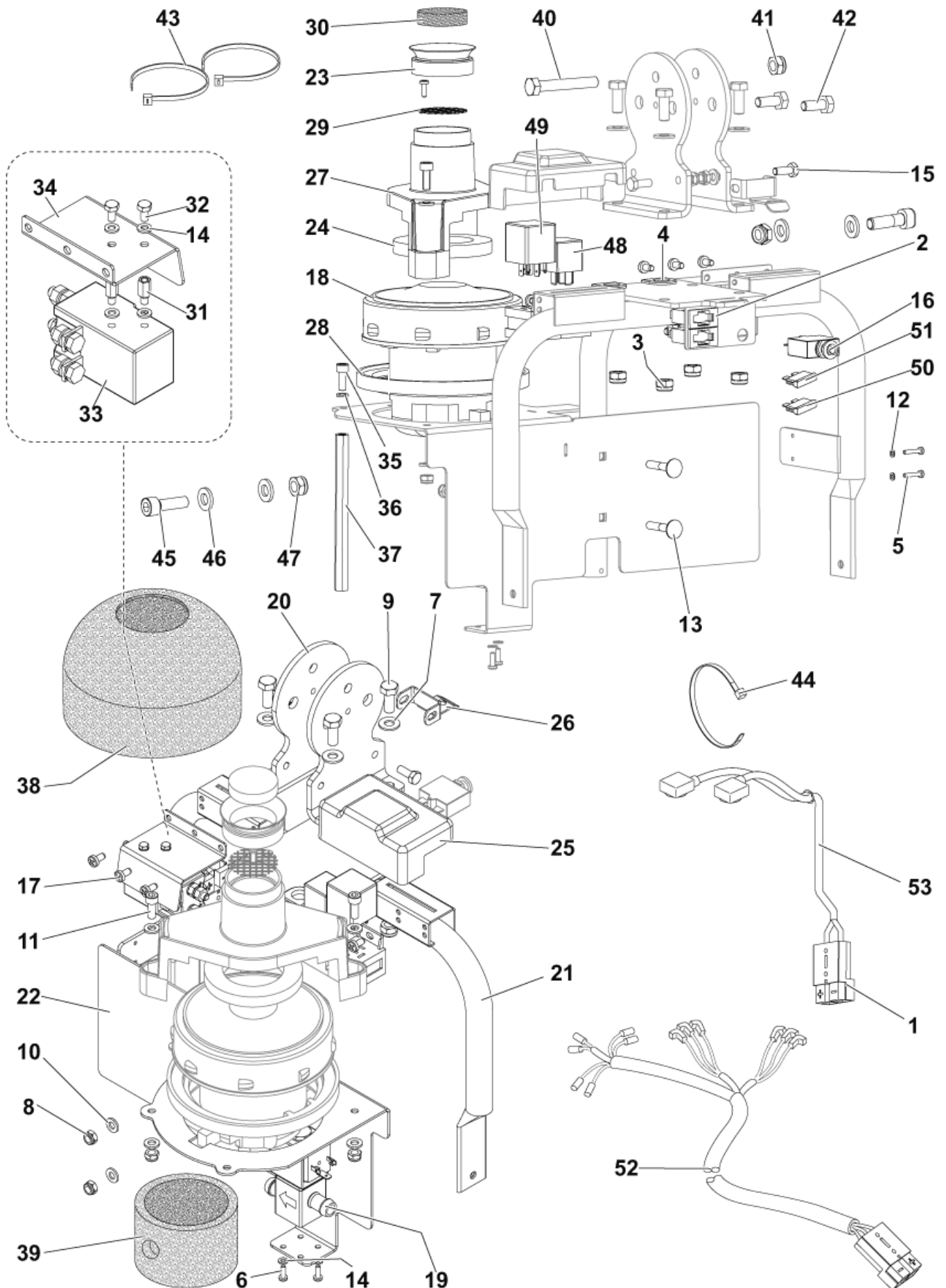
HANDLE SUPPORT

SCRUBBER SC350

31-05-2011

Part List ID
SC350070

9



HANDLE SUPPORT

SCRUBBER SC350

31-05-2011

Part List ID
SC350070

10

Pos	Part no.	Qty	Description	EAN
1	9098760000	2	CONNECTOR 50A GREY	7319519684
2	9098924000	2	FUSE HOLDER	7319519684
4	909 6542 000	2	GROMMET	5711140128
16	909 5706 000	1	BREAKER CIRCUIT 30A	5711140123
18	9098111000	1	MOTOR VACUUM 12V 200W	7319519683
19	9098112000	1	SOLENOID VALVE 12V	7319519683
20	9098185000	2	BRACKET HANDLE	7319519683
21	9098267000	1	SUPPORT HANDLE	7319519683
22	9098268000	1	SUPPORT VACUUM MOTOR	7319519683
23	9098319000	1	GASKET	7319519683
24	9098327000	1	GASKET VACUUM MOTOR	7319519683
25	9098365000	1	COVER RELAY	7319519683
26	9098482000	1	BRACKET PLUNGER BLOCK	7319519683
27	9098483000	1	COVER VACUUM MOTOR	7319519683
28	9098554000	1	GASKET VACUUM MOTOR	7319519683
29	9098654000	1	PROTECTION	7319519683
30	9098655000	1	FILTER VACUUM MOTOR	7319519683
33	9098424000	1	SWITCH ELECTROMAGNETIC 12V 70A	7319519683
34	9098560000	1	PLATE SUPPORT ELECTR.SWITCH	7319519683
37	9098559000	1	SPACER SUPPORT VACUUM MOTOR	7319519683
38	9098656000	1	CASING VACUUM MOTOR	7319519683
39	9098925000	1	CASING LOWER VACUUM MOTOR	7319519683
48	9098441000	1	RELAY 12V	7319519684
49	9098375000	1	TIMER CYCLICAL	7319519683
50	145 8513 000	1	FUSE BLADE 30A UL	5711140009
51	145 9852 000	1	FUSE BLADE 5A UL	5711140009
52	9098387000	1	HARNESS MACHINE	7319519683
53	9098849000	1	HARNESS BATTERY	7319519683
K1	9098994000	1	HARDWARE HANDLE BAR SUPP.KIT	ITEM 3-5-6-7-8-9-10-11-12-13-14-15-17-31-32-35-36- 7319519681

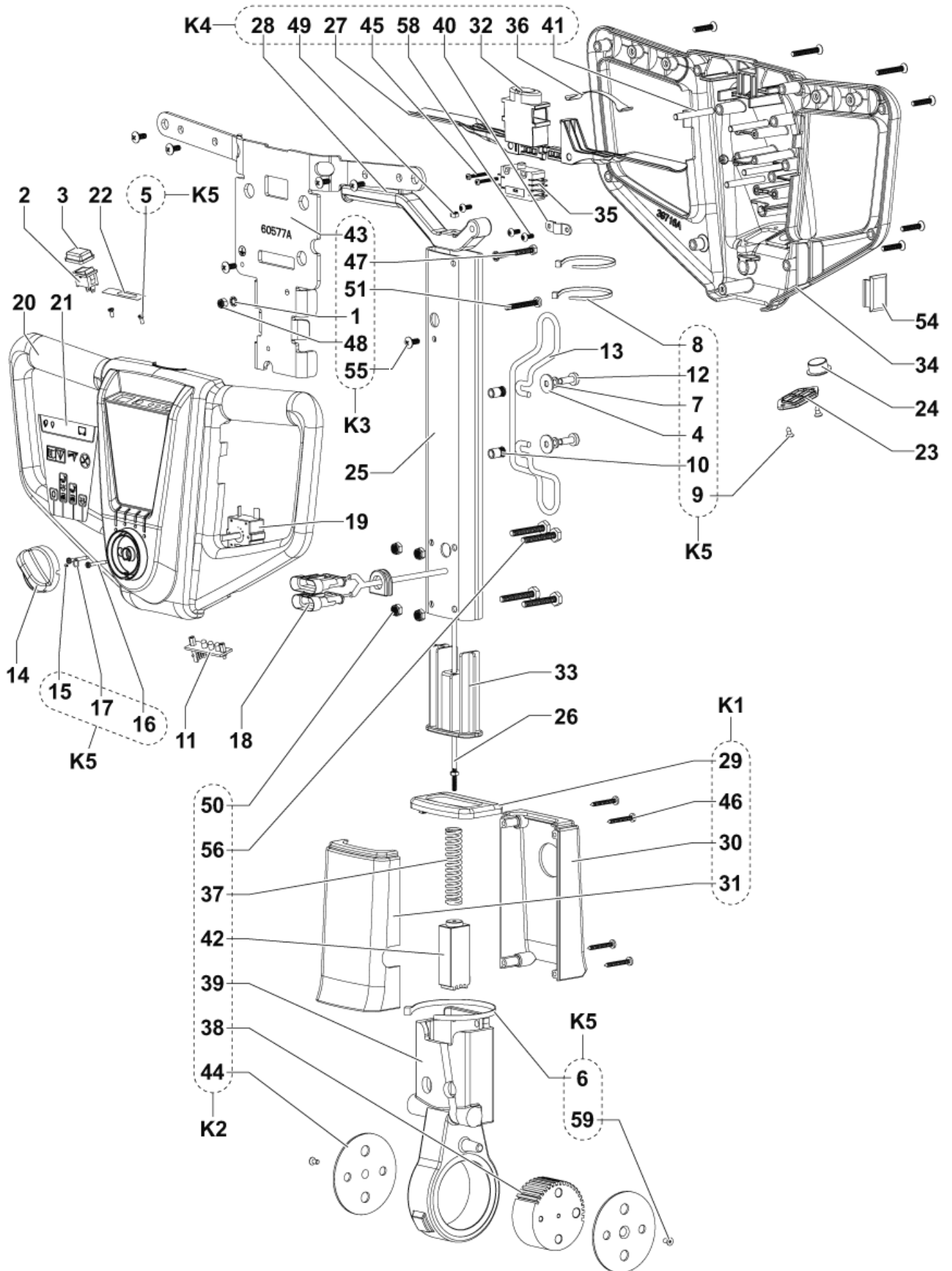
HANDLE BAR

SCRUBBER SC350

31-05-2011

Part List ID
SC350090

11



HANDLE BAR

SCRUBBER SC350

31-05-2011

Part List ID
SC350080

12

Pos	Part no.	Qty	Description	EAN
2	L08603153	1	SWITCH PUMP	5711140014
3	L08603154	1	CAP PROTECTION	5711140014
11	146 3073 000	1	BOARD LED	5711140047
13	909 5149 000	1	SUPPORT CABLE	5711140121
14	9097283000	1	KNOB CONTROL FUNCTIONS	7319519684
18	9098386000	1	HARNESS HANDLE BAR	7319519683
19	9098405000	1	SWITCH ROTATIVE 4 POSITIONS	7319519683
20	9098530000	1	FRONT COVER OF HANDLE	5711145011
21	9098615000	1	DECAL CONTROL PANEL	7319519683
22	9098616000	1	DECAL BATTERY LED	7319519683
23	9098812000	1	CAP FOR HANDLE	7319519683
24	9098813000	1	CAP D.18.5/D.24MM BLACK	7319519683
25	9098835000	1	TUBE OF HANDLE	5711145011
26	9098836000	1	ROD INDEX	5711145011
33	VF47033	1	RETAINER	5715492065
34	39716A	1	Rear cover of handle	5715492080
35	40263A	1	Switch DPST	5711143104
52	80398A	2	SCREW M5X35 SS HEAD PHILLIPS	5715492081
53	80407A	8	SCREW M5X25 SS FLAT HEAD PHILLIPS	5715492081
54	VF54041	1	HANDLE PLUG	5715492079
K1	11271A	1	Rear and Front Cover kit	5715492080
K2	56381560	1	Polisher gear set kit	5715492080
K3	11273A	1	Handle support kit	5715492080
K5	9098995000	1	HARDWARE HANDLE BAR KIT	7319519681

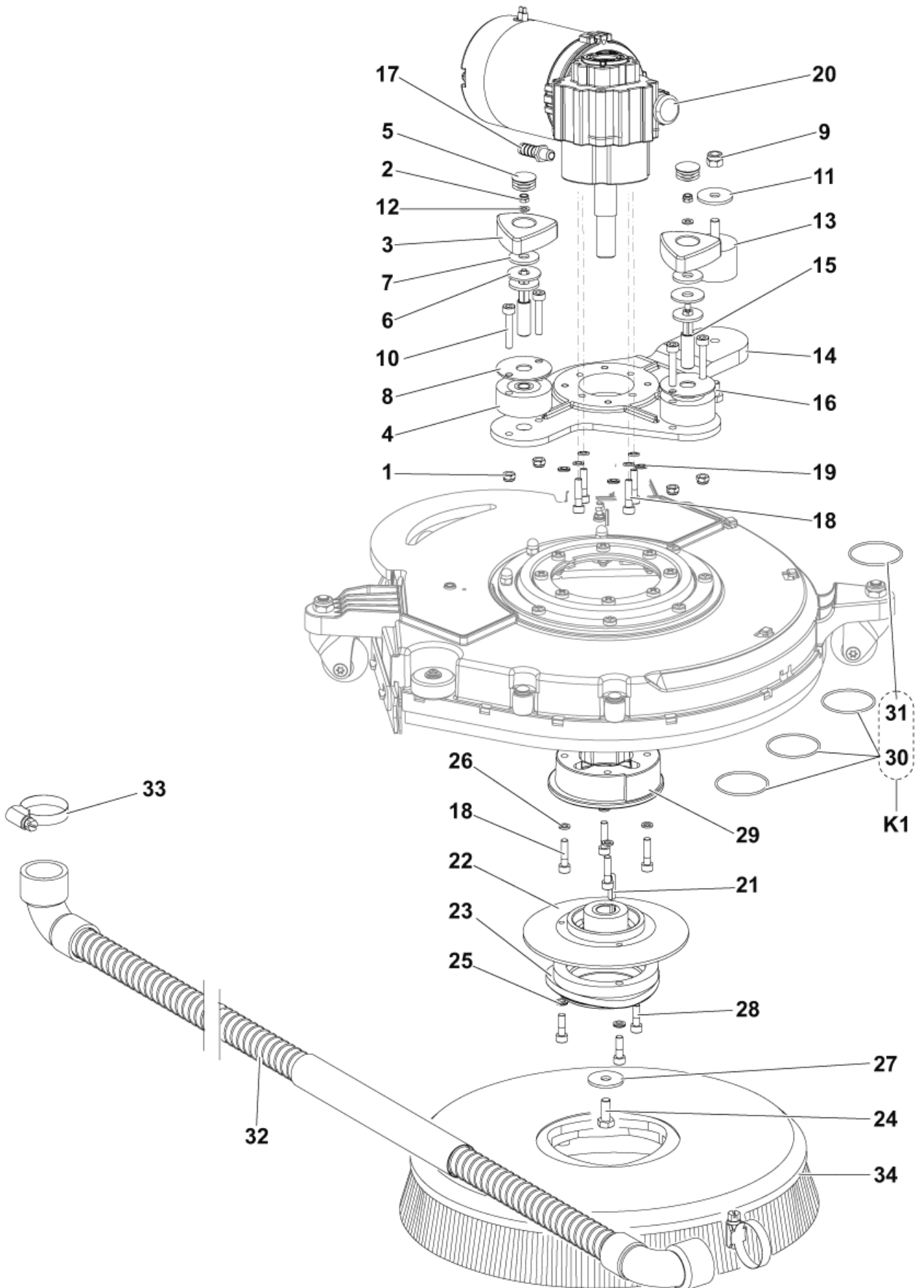
BRUSH DECK 1

SCRUBBER SC350

31-05-2011

Part List ID
SC350110

13



BRUSH DECK 1

SCRUBBER SC350

31-05-2011

Part List ID
SC350110

14

Pos	Part no.	Qty	Description	EAN
3	L08812203	2	KNOB	5711140017
4	L08812213	2	BUFFER	5711140017
5	L08812426	2	CAP FOR KNOB	5711140018
8	L08812779	2	PLATE.VIBRATION DAMPING	5711140019
13	9097184000	1	VIBRATION DAMPING M8 60SH	5711140132
14	9098083000	1	SUPPORT BRUSH DECK	7319519683
15	9098557000	2	PIN BRUSH PLATE FIXING	7319519683
17	L08601624	1	HOLDER RUBBER 1/4 D.10	5711140013
20	9097976000	1	REDUCTION GEARMOTOR 12V	7319519683
21	145 8024 000	1	KEY 5X5X25 UNI6604A	5711140023
22	L08812306	1	HUB.BRUSH R.GEARMOTOR	5711140017
23	L08812480	1	HUB.BRUSH	5711140018
29	9098394000	1	FLANGE BRUSH DECK	7319519683
32	9098589000	1	HOSE SQUEEGEE	7319519683
34	9098529000	1	BRUSH D.370 PROLENE PPL	7319519681
34	9099006000	1	BRUSH D.370 PROLITE PPL	OPTIONAL 7319519681
34	9099007000	1	BRUSH D.370 UNION MIX	OPTIONAL 7319519681
34	9099008000	1	BRUSH D.370 MID GRIT 240	OPTIONAL 7319519681
34	9099009000	1	BRUSH D.370 MIDLITE GRIT	OPTIONAL 7319519681
35	9099010000	1	PAD HOLDER D.350MM	OPTIONAL 7319519681
35	L00190797	1	PAD 14 355MM BROWN 5PCS	OPTIONAL 5313437528
35	L00190798	1	PAD 14 355MM RED 5PCS	OPTIONAL 5313437527
35	L00190799	1	PAD 14 355MM WHITE 5PCS	OPTIONAL 5313437527
35	L00306400	1	PAD 14 355MM GREEN 5PCS	OPTIONAL 5313437531
K1	9098991000	1	RINGS SPRING KIT	7319519681
K2	9098996000	1	HARDWARE DECK KIT	7319519681

K2 - NOT SHOWN
35 - NOT SHOWN

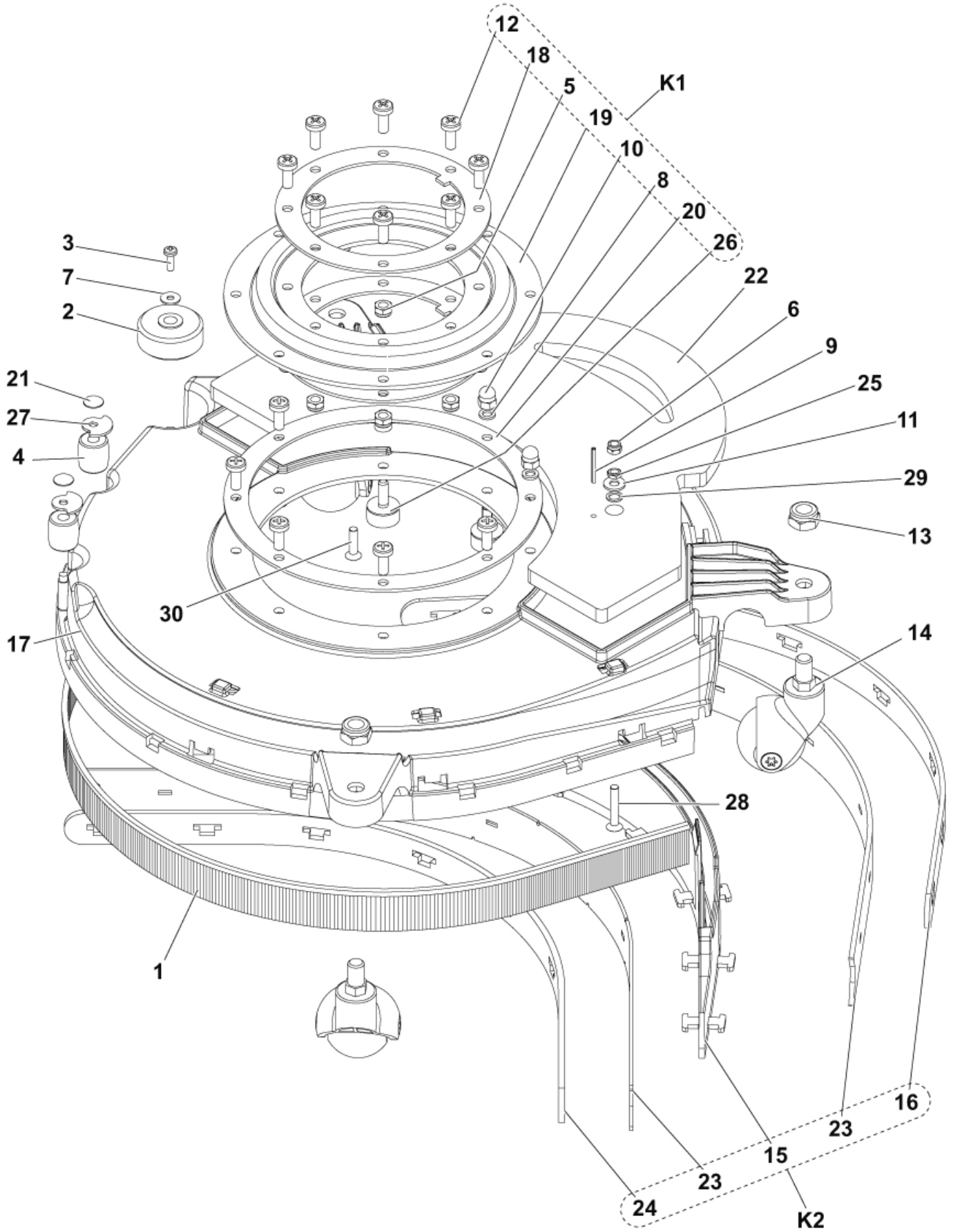
BRUSH DECK 2

SCRUBBER SC350

31-05-2011

Part List ID
SC350130

15



BRUSH DECK 2

SCRUBBER SC350

31-05-2011

Part List ID
SC350130

16

Pos	Part no.	Qty	Description	EAN
1	9098475000	1	BRUSH LINEAR	7319519683
2	L08603027	1	ROLLER BUMPER	5711140013
4	L08603402	2	ROLLER	5711140014
14	9098307000	3	WHEEL CASTOR D.42	7319519679
17	9098400000	1	COVER BRUSH DECK	7319519683
19	9098402000	1	COUPLING RUBBER DECK	7319519683
21	9098473000	2	COVER PIN	7319519683
22	9098477000	1	COUNTERWEIGHT	7319519683
23	9099027000	1	BLADES SQUEEGEE KIT	7319519681
26	9098620000	3	VIBRATION DAMPING M6 D.20X10	7319519683
27	9098633000	2	PLATE BUMPER FIX	7319519683
K1	9098997000	1	COUPLING DECK KIT	ITEM 5-8-10-12-18-19-20-26 7319519681
K2	9098998000	1	SQUEEGEE KIT	ITEM 15-16-23-24 7319519681
K3	9098999000	1	HARDWARE COVER DECK KIT	ITEM 3-6-7-9-11-13-28-29-30-31 7319519681

K3 - NOT SHOWN

RECOMMENDED SPARE PARTS

SCRUBBER SC350

31-05-2011

Part List ID
SC350170

17

No Drawing For Part List

RECOMMENDED SPARE PARTS

SCRUBBER SC350

31-05-2011

Part List ID

SC350170

18

Pos	Part no.	Qty	Description	EAN
	145 8513 000	1	FUSE BLADE 30A UL	5711140009
	40263A	1	Sw itch DPST	5711143104
	9098441000	1	RELAY 12V	7319519684
	9098760000	2	CONNECTOR 50A GREY	7319519684
	9099127000	1	GASKET TANK COVER KIT	7319519684
	145 9852 000	1	FUSE BLADE 5A UL	5711140009
	909 5706 000	1	BREAKER CIRCUIT 30A	5711140123
	9097976000	1	REDUCTION GEARMOTOR 12V	7319519683
	9098111000	1	MOTOR VACUUM 12V 200W	7319519683
	9098112000	1	SOLENOID VALVE 12V	7319519683
	9098188000	1	CHARGER BATTERY 12V 12A	7319519683
	9098237000	2	WHEEL D.200MM	7319519683
	9098307000	3	WHEEL CASTOR D.42	7319519679
	9098319000	2	GASKET	7319519683
	9098327000	1	GASKET VACUUM MOTOR	7319519683
	9098375000	1	TIMER CYCLICAL	7319519683
	9098405000	1	SWITCH ROTATIVE 4 POSITIONS	7319519683
	9098424000	1	SWITCH ELECTROMAGNETIC 12V 70A	7319519683
	9098589000	1	HOSE SQUEEGEE	7319519683
	9098655000	1	FILTER VACUUM MOTOR	7319519683
	9098697000	1	VALVE WATER COMPLETE	7319519684
	9098992000	1	PIPES KIT	7319519681
	9098997000	1	COUPLING DECK KIT	7319519681
	9098998000	1	SQUEEGEE KIT	7319519681
	9099027000	1	BLADES SQUEEGEE KIT	7319519681
	9099042000	1	CABLE DECK	7319519684
	L08812480	1	HUB.BRUSH	5711140018